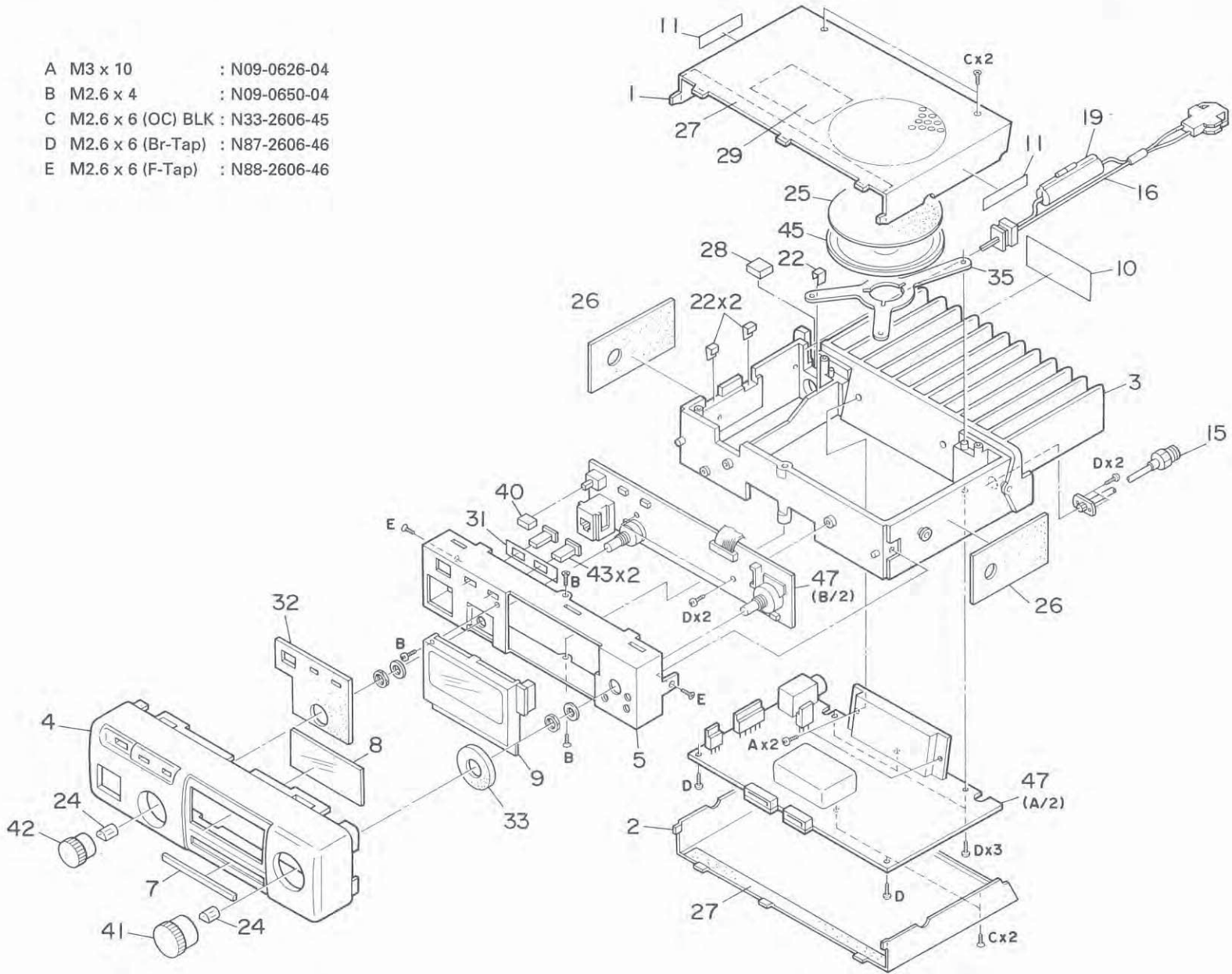


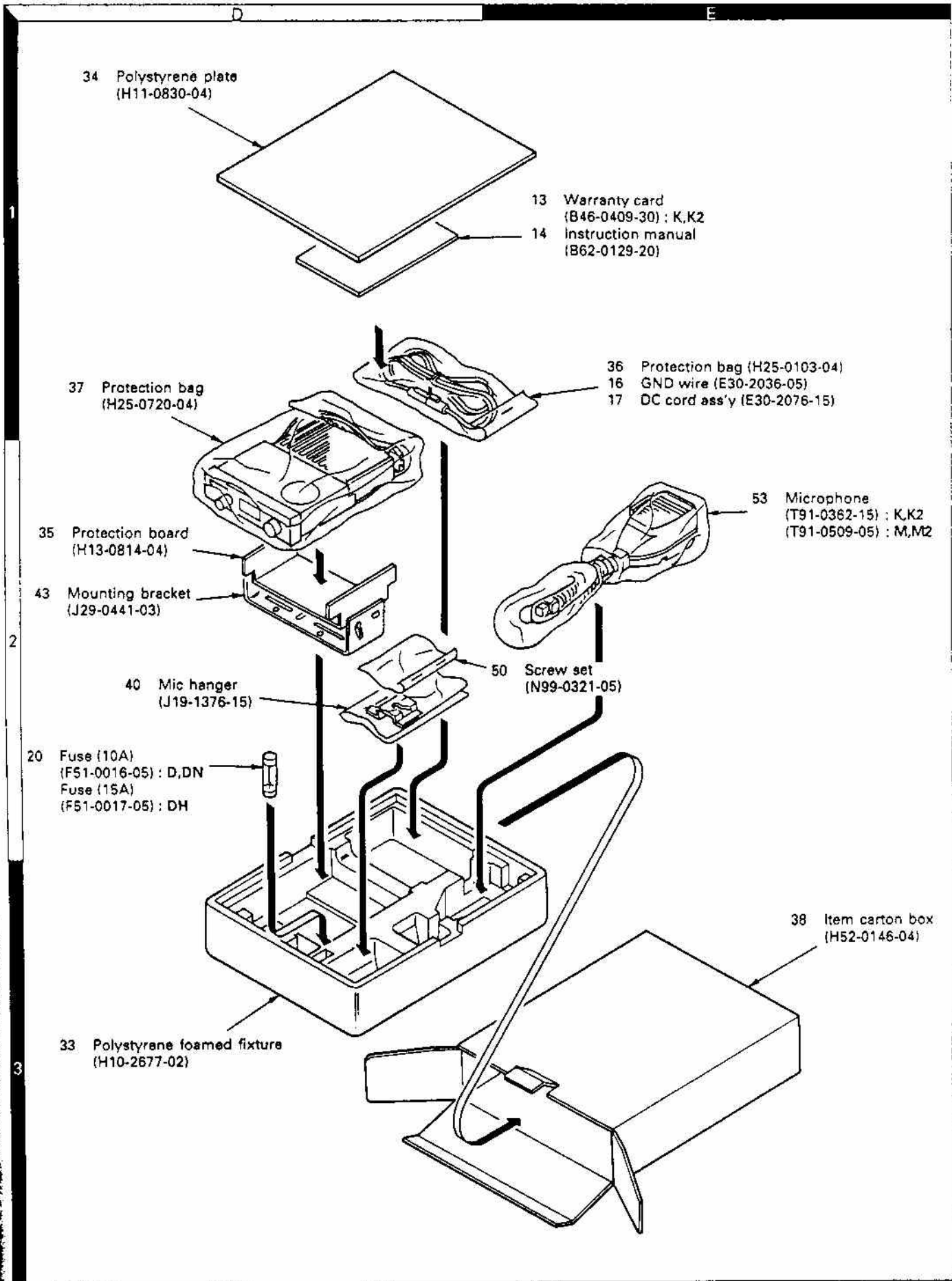
- A M3 x 10 : N09-0626-04
- B M2.6 x 4 : N09-0650-04
- C M2.6 x 6 (OC) BLK : N33-2606-45
- D M2.6 x 6 (Br-Tap) : N87-2606-46
- E M2.6 x 6 (F-Tap) : N88-2606-46



EXPLODED VIEW

TK-705

PACKING



PARTS LIST

* New Parts

Parts without Parts No. are not supplied.

Les articles non mentionnes dans le Parts No. ne sont pas fournis.

Teile ohne Parts No. werden nicht geliefert.

Ref. No. 参照番号	Address 位置	New Parts 新	Parts No. 部品番号	Description 部品名 / 規格	Desti- nation 仕向	Re- marks 備考
TK-705						
1	1B		A01-1065-03	METALLIC CABINET(UPPER)		
2	2B		A01-1066-03	METALLIC CABINET(LOWER)		
3	1C		A10-1292-01	CHASSIS CALKED ASSY		
4	2A		A20-7032-03	PANEL ASSY		
5	2B		A22-0765-13	SUB PANEL		
7	2A		B03-0557-04	DRESSING PLATE		
8	2A		B10-1126-04	FRONT GLASS		
9	2B		B38-0321-05	LCD ASSY		
-			B38-0322-05	LED ASSY		
10	1C	*	B40-3987-04	MODEL NAME PLATE	KPC2	
10	1C	*	B40-3988-04	MODEL NAME PLATE	MM2P2	
10	1C	*	B40-3988-04	MODEL NAME PLATE	C1	
11	1B, 1C		B42-2455-04	LABEL(M4X8 MAX)		
-			B42-3394-04	FCC LABEL		
-			B46-0409-20	WARRANTY CARD	K	
-			B50-8316-00	INSTRUCTION MANUAL		
-			E30-2036-05	GND WIRE(MIC)		
-			E30-2076-05	DC CORD ASSY		
15	1C		E30-2145-05	ANT CABLE		
-			E30-2089-08	CURL CORD		
16	1C		E30-2172-05	DC CORD		
-			E31-3197-15	CONNECTING WIRE(SP)		
-			E40-9016-05	PIN CONNECTOR(LCD)		
19	1C		F05-1031-05	FUSE(10A)		
22	1B		G02-0576-14	FLAT S RING		
24	2A		G09-0405-05	KNOB FIXED SPRING		
25	1B		G10-0651-04	NON-WOVEN FABRIC		
26	1B, 2C		G10-0681-04	NON-WOVEN FABRIC(CHASSIS)		
27	1B, 2B		G10-0686-04	NON-WOVEN FABRIC(CABINET)		
28	1B		G13-0688-04	CUSHION(DC CORD)		
29	1B		G13-0818-04	CUSHION(CABINET)		
-			G13-0872-04	CUSHION(VCO)		
31	2B		G13-0935-04	CUSHION(SQ, MONI)		
32	2A		G13-0936-04	CUSHION(VOL)		
33	2B		G13-0937-04	CUSHION(CH)		
-			H11-0830-04	POLYSTYRENE PLATE		
-			H13-0814-04	PROTECTION BOARD		
-		*	H01-8287-04	ITEM CARTON BOX		
-			H10-2677-02	POLYSTYRENE FOAMED FIXTURE		
-			H25-0103-04	PROTECTION BAG(DC CORD)		
-			H25-0720-04	PROTECTION BAG(TK-705)		
-			J19-1376-15	MIC HANGER		
35	1C		J19-1434-04	HOLDER(SP)		
-			J21-4282-08	MOUNTING HARDWARE(LCD)		
-			J29-0441-03	MOUNTING BRACKET		
40	2B		K27-3052-04	KNOB(POWER)		
41	2A		K29-4533-04	KNOB(CH)		
42	2A		K29-4534-04	KNOB(VOL)		
43	2B		K29-4535-04	KNOB(SQ, MONI)		

E: Scandinavia & Europe K: USA P: Canada W: Europe

U: PX(Far East, Hawaii) T: England M: Other Areas

UE: AAFES(Europe) X: Australia

△ indicates safety critical components.

PARTS LIST

× New Parts

Parts without Parts No. are not supplied.

Les articles non mentionnés dans le Parts No. ne sont pas fournis.

Teile ohne Parts No. werden nicht geliefert.

Ref. No. 参照番号	Address 位置	New Parts 新	Parts No. 部品番号	Description 部品名 / 規格	Desti- nation 仕 向	Re- marks 備考
A	2B		N09-0626-04	SCREW(M3X10)		
B	2A, 2B		N09-0650-05	SCREW(LCD)		
C	1C, 2C		N33-2606-45	ØVAL HEAD MACHINE SCREW(CABI.)		
D	1C, 2B		N87-2606-46	BRAZIER HEAD TAPTITE SCREW(PCB)		
E	2A, 2B		N88-2606-46	FLAT HEAD TAPTITE SCREW(SUB PA)		
-			N99-0321-05	SCREW SET		
R301			RD14BB2B2R2J	RD 2.2 J 1/8W	MM2	
R301			RD14BB2B2R2J	RD 2.2 J 1/8W	C1C2	
45	1B		T07-0246-05	LOUDSPEAKER(FULLRANGE)		
-			T91-0362-15	MICROPHONE(WITH CURL CORD)		
-			LC7582	IC(LCD DRIVER)		
-			X52-3100-00	QT/CTCSS UNIT	KPP2	
47	2B, 2C	*	X57-3450-10	TX-RX UNIT	KPC2	
47	2B, 2C	*	X57-3450-21	TX-RX UNIT	M	
47	2B, 2C	*	X57-3451-01	TX-RX UNIT	P2M2C1	
TX-RX UNIT (X57-345X-XX)						
C1			CC73FCH1H030C	CHIP C 3.0PF C	KMPC2	
C1			CC73FCH1H040C	CHIP C 4.0PF C	P2M2C1	
C2			CC73FCH1H220J	CHIP C 22PF J	P2M2C1	
C3			CK73FB1H103K	CHIP C 0.010UF K		
C4 , 5			CK73FB1H102K	CHIP C 1000PF K		
C6			CK73FB1H103K	CHIP C 0.010UF K		
C7			CK73FB1H102K	CHIP C 1000PF K		
C8			CC73FCH1H220J	CHIP C 22PF J	P2M2C1	
C8			CC73FCH1H330J	CHIP C 33PF J	KMPC2	
C9			CC73FCH1H030C	CHIP C 3.0PF C	P2M2C1	
C10			CC73FCH1HOR5C	CHIP C 0.5PF C		
C11			CC73FCH1H030C	CHIP C 3.0PF C		
C12			CK73FB1H103K	CHIP C 0.010UF K		
C13			CC73FCH1H220J	CHIP C 22PF J	P2M2C1	
C14			CC73FCH1HOR5C	CHIP C 0.5PF C		
C15			CC73FCH1HOR5C	CHIP C 0.5PF C	KMPC2	
C15			CC73FCH1H020C	CHIP C 2.0PF C	P2M2C1	
C16			CK73FB1H102K	CHIP C 1000PF K		
C17			CC73FCH1H220J	CHIP C 22PF J	P2M2C1	
C18			CC73FCH1H150J	CHIP C 15PF J		
C19			CK73FB1H103K	CHIP C 0.010UF K		
C20			CC73FCH1H030C	CHIP C 3.0PF C		
C21 , 22			CK73FB1H102K	CHIP C 1000PF K		
C23			CK73FB1H103K	CHIP C 0.010UF K		
C24			CC73FCH1H070D	CHIP C 7.0PF D	P2M2C1	
C24			CC73FCH1H090D	CHIP C 9.0PF D	KMPC2	
C25			CE04EW1A470M	ELECTRO 47UF 10WV		
C26			CK73FB1H103K	CHIP C 0.010UF K		
C27 , 28			CK73FB1H102K	CHIP C 1000PF K		
C29			CC73FCH1H330J	CHIP C 33PF J	P2M2C1	
C29			CC73FCH1H470J	CHIP C 47PF J	KMPC2	
C30			CC73FCH1H390J	CHIP C 39PF J	KMPC2	
C31			CC73FCH1H820J	CHIP C 82PF J	P2M2C1	
C31			CK73FB1H102K	CHIP C 1000PF K	KMPC2	
C32			C92-0511-05	CHIP TAN 0.15UF 35WV		
C33			CK73EF1C105Z	CHIP C 1.0UF Z		

E: Scandinavia & Europe K: USA P: Canada W: Europe

U: PX(Far East, Hawaii) T: England M: Other Areas

UE: AAFES(Europe) X: Australia

⚠ indicates safety critical components.

PARTS LIST

× New Parts

Parts without Parts No. are not supplied.

Les articles non mentionnés dans le Parts No. ne sont pas fournis.

Teile ohne Parts No. werden nicht geliefert.

Ref. No. 参照番号	Address 位置	New Parts 新	Parts No. 部品番号	Description 部品名 / 規格	Desti- nation 仕 向	Re- marks 備考
C34 ,35			CK73EB1H104K	CHIP C 0.10UF K		
C36			CE04EW1A471M	ELECTRØ 470UF 10WV		
C37			CK73FB1H103K	CHIP C 0.010UF K		
C38			CE04EW1C470M	ELECTRØ 47UF 16WV		
C39 -41			CE04EW1A470M	ELECTRØ 47UF 10WV		
C42			CK73FB1H273K	CHIP C 0.027UF K		
C43			CC73FSL1H101J	CHIP C 100PF J		
C44			CE04EW1C100M	ELECTRØ 10UF 16WV		
C45 ,46			CK73EF1C105Z	CHIP C 1.0UF Z		
C47			CK73FB1H103K	CHIP C 0.010UF K		
C48			CE04EW1A470M	ELECTRØ 47UF 10WV		
C49			C92-0504-05	CHIP-TAN 0.68UF 20WV		
C50			CE04EW1C100M	ELECTRØ 10UF 16WV		
C51			CK73FB1H103K	CHIP C 0.010UF K		
C52			C92-0504-05	CHIP-TAN 0.68UF 20WV		
C53 ,54			CK73FB1H102K	CHIP C 1000PF K		
C56			CK73EB1E473K	CHIP C 0.047UF K		KMPC2 P2M2C1
C56			CK73EB1H683K	CHIP C 0.068UF K		
C57			CK73FB1H103K	CHIP C 0.010UF K		
C58			CC73FCH1H180J	CHIP C 18PF J		
C59			CC73FCH1H150J	CHIP C 15PF J		
C60			CC73FCH1H010C	CHIP C 1.0PF C		
C61			CK73EF1C105Z	CHIP C 1.0UF Z		
C62			CK73FB1H103K	CHIP C 0.010UF K		
C63 -65			CK73FB1H102K	CHIP C 1000PF K		
C66			CK73EB1H102K	CHIP C 1000PF K		
C67			CK73FB1H103K	CHIP C 0.010UF K		
C68			CE04EW1A470M	ELECTRØ 47UF 10WV		
C69			CK73FB1H103K	CHIP C 0.010UF K		
C70 ,71			CE04EW1A221M	ELECTRØ 220UF 10WV		
C72			CK73FB1H103K	CHIP C 0.010UF K		
C73 ,74			CK73FB1H102K	CHIP C 1000PF K		
C75			CC73FCH1H220J	CHIP C 22PF J		
C76			CK73FB1H102K	CHIP C 1000PF K		
C77			CC73FCH1H220J	CHIP C 22PF J		
C78			CE04EW1C471M	ELECTRØ 470UF 16WV		
C79			CK73FB1H103K	CHIP C 0.010UF K		
C80 -82			CK73FB1H102K	CHIP C 1000PF K		
C83			CK73EF1C105Z	CHIP C 1.0UF Z		
C84			CK73FB1H102K	CHIP C 1000PF K		
C85			CK73FB1H103K	CHIP C 0.010UF K		
C86			CE04EW1A470M	ELECTRØ 47UF 10WV		
C87			CK73FB1H102K	CHIP C 1000PF K		
C88 ,89			CK73FB1H103K	CHIP C 0.010UF K		
C90			CE04EW1C102M	ELECTRØ 1000UF 16WV		
C91			CK73FB1H102K	CHIP C 1000PF K		
C92			CK73EF1C105Z	CHIP C 1.0UF Z		
C93			CE04EW1C470M	ELECTRØ 47UF 16WV		
C94			CK73FB1H102K	CHIP C 1000PF K		
C95			CE04EW1C100M	ELECTRØ 10UF 16WV		
C96			CK73FB1H102K	CHIP C 1000PF K		
C97			CC45SL2H180J	CERAMIC 18PF J		
C98			CK45B2H102K	CERAMIC 1000PF K		
C99			CC73FCH1H090D	CHIP C 9.0PF D		KPC2 M
C99			CC73FCH1H120J	CHIP C 12PF J		

E: Scandinavia & Europe K: USA P: Canada W: Europe

U: PX(Far East, Hawaii) T: England M: Other Areas

UE: AAFES(Europe) X: Australia

⚠ indicates safety critical components.

PARTS LIST

* New Parts

Parts without Parts No. are not supplied.

Les articles non mentionnés dans le Parts No. ne sont pas fournis.

Teile ohne Parts No. werden nicht geliefert.

Ref. No. 参照番号	Address 位置	New Parts 新	Parts No. 部品番号	Description 部品名 / 規格	Desti- nation 仕向	Re- marks 備考
C99			CC73FCH1H220J	CHIP C 22PF J	P2M2C1	
C100			CM73F2H220J	CHIP C 22PF J		
C101			CC73FCH1H0R5C	CHIP C 0.5PF C		
C102			CC73FCH1H020C	CHIP C 2.0PF C	P2M2C1	
C102			CC73FCH1H030C	CHIP C 3.0PF C	KMPC2	
C103-105			CK73FB1H102K	CHIP C 1000PF K		
C106			CC45SL2H470J	CERAMIC 47PF J		
C107			CC45SL2H390J	CERAMIC 39PF J	KM	
C108			CC73FCH1H0R5C	CHIP C 0.5PF C		
C109			CC73FCH1H020C	CHIP C 2.0PF C		
C110			CC45SL2H150J	CERAMIC 15PF J	KMPC2	
C110			CC45SL2H220J	CERAMIC 22PF J	P2M2C1	
C112			CK73FB1H102K	CHIP C 1000PF K		
C113			CK73FB1H223K	CHIP C 0.022UF K	KMPC2	
C114			C92-0005-05	CHIP-TAN 2.2UF 6.3WV		
C201			CK73FB1H103K	CHIP C 0.010UF K		
C202			CE04CW1C100M	ELECTRO 10UF 16WV		
C203			CK73FB1H223K	CHIP C 0.022UF K		
C204			CK73FB1H102K	CHIP C 1000PF K		
C205, 206			CC73FCH1H330J	CHIP C 33PF J		
C207			CC73FSL1H101J	CHIP C 100PF J		
C208-212			CK73FB1H102K	CHIP C 1000PF K		
C213			C92-0005-05	CHIP-TAN 2.2UF 6.3WV		
C214			C92-0501-05	CHIP-TAN 1.5UF 6.3WV		
TC1			C05-0346-05	TRIMMING CAP (6PF)		
CN1			E40-3237-05	PIN CONNECTOR (SP)		
CN3 ,4			E40-5202-05	PIN CONNECTOR (13P, TX-RX)		
CN5 -8			E40-5328-05	PIN CONNECTOR (3P)		
CN201, 202			E40-5203-05	PIN CONNECTOR (13P, CONT)		
CN203			E40-3485-05	PIN CONNECTOR (6P, LCD)		
J1			E11-0425-05	PHONE JACK		
J2 -5		*	E18-0254-05	SOCKET		
J201			E08-0673-05	RECTANGULAR RECEPTACLE(MIC)		
TP1 ,2			E23-0465-05	TERMINAL		
W1		*	E33-1902-05	FINISHED WIRE SET		
W201		*	E31-6062-05	CONNECTING WIRE(QT/CTCSS)		
			J30-0545-05	SPACER		
CD1			L79-0855-05	CERAMIC DISCR(CDB455C7)		
CF1			L72-0372-05	CERAMIC FILTER(CFWM455F)		
L1 -4			L34-4080-05	COIL		
L5			L34-0956-05	COIL		
L6			L30-0508-05	IFT (21.4MHZ)	P2M2C1	
L6		*	L34-4191-05	IFT (34.4MHZ)	KMPC2	
L7			L40-1001-19	SMALL FIXED INDUCTOR(10UH)		
L8 ,9			L40-1092-19	SMALL FIXED INDUCTOR(1UH)	KMPC2	
L9			L40-3391-19	SMALL FIXED INDUCTOR(3.3UH)	P2M2C1	
L10			L34-1239-05	COIL		
L11			L34-0895-05	COIL		
L12			L34-0742-05	COIL	KMPC2	
L12			L34-0894-05	COIL	P2M2C1	
L13			L34-0908-05	COIL		
L14 ,15			L34-0499-05	COIL	KMPC2	
L14 ,15			L34-0894-05	COIL	P2M2C1	

E: Scandinavia & Europe K: USA P: Canada W: Europe

U: PX(Far East, Hawaii) T: England M: Other Areas

UE: AAFES(Europe) X: Australia

⚠ indicates safety critical components.

PARTS LIST

* New Parts

Parts without Parts No. are not supplied.

Les articles non mentionnés dans le Parts No. ne sont pas fournis.

Teile ohne Parts No. werden nicht geliefert.

Ref. No. 参照番号	Address 位置	New Parts 新	Parts No. 部品番号	Description 部品名 / 規格	Desti- nation 仕 向	Re- marks 備考
X1		*	L77-1415-05	CRYSTAL RESONATOR(34.855MHZ)	KPMC2	
X1		*	L77-1416-05	CRYSTAL RESONATOR(21.855MHZ)	P2M2C1	
X2			L77-1383-05	CRYSTAL RESONATOR(12.8MHZ)		
X201			L77-1397-05	CRYSTAL RESONATOR(4.194304MHZ)		
XF1			L71-0244-05	MCF(21.4MHZ)	P2M2C1	
XF1		*	L71-0298-05	MCF(34.4MHZ)	KPMC2	
R1			R92-0670-05	CHIP R 0 ΩHM		
R2			RK73FB2A104J	CHIP R 100K J 1/10W		
R3			RK73FB2A222J	CHIP R 2.2K J 1/10W	KPP2	
R3			RK73FB2A222J	CHIP R 2.2K J 1/10W	C1C2	
R3			RK73FB2A472J	CHIP R 4.7K J 1/10W	M	
R4			RK73FB2A330J	CHIP R 33 J 1/10W	P2M2C1	
R4			R92-0670-05	CHIP R 0 ΩHM	KMPC2	
R5			RK73FB2A274J	CHIP R 270K J 1/10W		
R6			RK73FB2A101J	CHIP R 100 J 1/10W		
R7			RK73FB2A103J	CHIP R 10K J 1/10W		
R8			RK73FB2A101J	CHIP R 100 J 1/10W		
R9	-11		RK73FB2A104J	CHIP R 100K J 1/10W		
R12			RK73FB2A473J	CHIP R 47K J 1/10W		
R13			R92-0670-05	CHIP R 0 ΩHM		
R14			RK73FB2A473J	CHIP R 47K J 1/10W		
R15			RK73FB2A470J	CHIP R 47 J 1/10W		
R16			RK73FB2A274J	CHIP R 270K J 1/10W		
R17			RK73FB2A470J	CHIP R 47 J 1/10W		
R18			RK73FB2A104J	CHIP R 100K J 1/10W		
R19			RK73FB2A471J	CHIP R 470 J 1/10W		
R20			RK73FB2A101J	CHIP R 100 J 1/10W		
R21			RK73FB2A681J	CHIP R 680 J 1/10W	P2M2C1	
R21			R92-0670-05	CHIP R 0 ΩHM	KMPC2	
R22			RK73FB2A472J	CHIP R 4.7K J 1/10W		
R23			RK73FB2A391J	CHIP R 390 J 1/10W		
R24			RK73FB2A101J	CHIP R 100 J 1/10W		
R25			RK73FB2A224J	CHIP R 220K J 1/10W		
R26			RK73FB2A471J	CHIP R 470 J 1/10W		
R27			R92-0670-05	CHIP R 0 ΩHM		
R28			R92-0670-05	CHIP R 0 ΩHM	P2M2C1	
R29			RK73FB2A153J	CHIP R 15K J 1/10W	KMPC2	
R29			RK73FB2A473J	CHIP R 47K J 1/10W	P2M2C1	
R30			RK73FB2A562J	CHIP R 5.6K J 1/10W		
R31			R92-0670-05	CHIP R 0 ΩHM		
R32	,33		RK73FB2A273J	CHIP R 27K J 1/10W		
R34			R92-1220-05	CHIP R 1 J 1/10W		
R35			RK73FB2A101J	CHIP R 100 J 1/10W		
R36			R92-0670-05	CHIP R 0 ΩHM		
R37			RK73FB2A102J	CHIP R 1.0K J 1/10W		
R38			RK73FB2A473J	CHIP R 47K J 1/10W		
R39			RK73FB2A333J	CHIP R 33K J 1/10W		
R40			RK73FB2A473J	CHIP R 47K J 1/10W		
R41			RK73FB2A223J	CHIP R 22K J 1/10W		
R42			RK73FB2A472J	CHIP R 4.7K J 1/10W		
R43			RK73FB2A153J	CHIP R 15K J 1/10W		
R44			RK73FB2A272J	CHIP R 2.7K J 1/10W		
R45			RK73FB2A334J	CHIP R 330K J 1/10W		
R46			RK73FB2A223J	CHIP R 22K J 1/10W		

E: Scandinavia & Europe K: USA P: Canada W: Europe

U: PX(Far East, Hawaii) T: England M: Other Areas

UE: AAFES(Europe) X: Australia

⚠ indicates safety critical components.

PARTS LIST

× New Parts

Parts without Parts No. are not supplied.

Les articles non mentionnés dans le Parts No. ne sont pas fournis.

Teile ohne Parts No. werden nicht geliefert.

Ref. No. 参照番号	Address 位置	New Parts 新	Parts No. 部品番号	Description 部品名 / 規格	Desti- nation 仕向	Re- marks 備考
R47			RK73FB2A182J	CHIP R 1.8K J 1/10W		
R48	-50		RK73FB2A103J	CHIP R 10K J 1/10W		
R51			RK73FB2A182J	CHIP R 1.8K J 1/10W		
R52			RK73FB2A223J	CHIP R 22K J 1/10W		
R53			RK73FB2A473J	CHIP R 47K J 1/10W		
R54			R92-0670-05	CHIP R 0 ΩHM		
R55			RK73FB2A102J	CHIP R 1.0K J 1/10W		
R58	,59		RK73FB2A103J	CHIP R 10K J 1/10W		
R60			R92-0670-05	CHIP R 0 ΩHM		
R61			RK73FB2A103J	CHIP R 10K J 1/10W	P2M2C1	
R61			RK73FB2A223J	CHIP R 22K J 1/10W	KMPC2	
R62			R92-0670-05	CHIP R 0 ΩHM		
R63			RK73FB2A183J	CHIP R 18K J 1/10W	P2M2C1	
R63			RK73FB2A473J	CHIP R 47K J 1/10W	KMPC2	
R65			R92-0670-05	CHIP R 0 ΩHM		
R67			RK73FB2A104J	CHIP R 100K J 1/10W		
R68			RK73FB2A473F	CHIP R 47K F 1/10W		
R69			RK73FB2A823F	CHIP R 82K F 1/10W		
R70			RK73FB2A183F	CHIP R 18K F 1/10W		
R71			RK73FB2A220J	CHIP R 22 J 1/10W		
R72			R92-0670-05	CHIP R 0 ΩHM		
R73			RK73FB2A104J	CHIP R 100K J 1/10W		
R74			RK73FB2A105J	CHIP R 1.0M J 1/10W		
R75			RK73FB2A471J	CHIP R 470 J 1/10W		
R76			R92-0670-05	CHIP R 0 ΩHM		
R77			RK73FB2A122J	CHIP R 1.2K J 1/10W		
R78			RK73FB2A220J	CHIP R 22 J 1/10W		
R79			RK73FB2A223J	CHIP R 22K J 1/10W		
R80			RK73FB2A103J	CHIP R 10K J 1/10W		
R81	,82		RK73FB2A101J	CHIP R 100 J 1/10W		
R83	,84		RK73FB2A102J	CHIP R 1.0K J 1/10W		
R85			RK73FB2A104J	CHIP R 100K J 1/10W		
R86			R92-0670-05	CHIP R 0 ΩHM		
R87			RK73FB2A220J	CHIP R 22 J 1/10W		
R88			RK73FB2A471J	CHIP R 470 J 1/10W	P2M2C1	
R89			RK73FB2A120J	CHIP R 12 J 1/10W	P2M2C1	
R89			R92-0670-05	CHIP R 0 ΩHM	KMPC2	
R90			R92-0685-05	CHIP R 22 J 1/2W	P2M2C1	
R90			R92-0699-05	CHIP R 10 J 1/2W	KMPC2	
R91			RK73FB2A471J	CHIP R 470 J 1/10W	P2M2C1	
R92			R92-0670-05	CHIP R 0 ΩHM		
R93			R92-1215-05	CHIP R 470 1/2W		
R94			RK73FB2A103J	CHIP R 10K J 1/10W		
R95			R92-1213-05	CHIP R 100 J 1/2W		
R96	,97		RK73FB2A223J	CHIP R 22K J 1/10W		
R98			RK73FB2A392J	CHIP R 3.9K J 1/10W		
R99			RK73FB2A471J	CHIP R 470 J 1/10W		
R201			RK73FB2A563J	CHIP R 56K J 1/10W		
R202-206			RK73FB2A473J	CHIP R 47K J 1/10W		
R207,208			R92-0670-05	CHIP R 0 ΩHM		
R209			R92-0670-05	CHIP R 0 ΩHM	P2M2C1	
R210			R92-0670-05	CHIP R 0 ΩHM		
R211			RK73FB2A473J	CHIP R 47K J 1/10W		
R212			RK73FB2A104J	CHIP R 100K J 1/10W		
R213			RK73FB2A183J	CHIP R 18K J 1/10W		

E: Scandinavia & Europe K: USA P: Canada W: Europe

U: PX(Far East, Hawaii) T: England M: Other Areas

UE: AAFES(Europe) X: Australia

⚠ indicates safety critical components.

PARTS LIST

× New Parts

Parts without Parts No. are not supplied.

Les articles non mentionnés dans le Parts No. ne sont pas fournis.

Teile ohne Parts No. werden nicht geliefert.

Ref. No. 参照番号	Address 位置	New Parts 新	Parts No. 部品番号	Description 部品名/規格	Desti- nation 仕向	Re- marks 備考
R214-216			RK73FB2A473J	CHIP R 47K J 1/10W		
R219, 220			RK73FB2A473J	CHIP R 47K J 1/10W		
R221			R92-0679-05	CHIP R 0 ΩHM		
R222			RK73FB2A332J	CHIP R 3.3K J 1/10W		
R223			RK73FB2A473J	CHIP R 47K J 1/10W		
R224			RK73FB2A472J	CHIP R 4.7K J 1/10W		
R225-227			RK73FB2A473J	CHIP R 47K J 1/10W		
R228			RK73FB2A103J	CHIP R 10K J 1/10W		
R229			RK73FB2A334J	CHIP R 330K J 1/10W		
R230			RK73FB2A561J	CHIP R 560 J 1/10W		
R231			RK73FB2A102J	CHIP R 1.0K J 1/10W		
R232			RK73FB2A103J	CHIP R 10K J 1/10W		
VR1			R12-3132-05	TRIMMING POT. (47K)		
VR2			R12-6423-05	TRIMMING POT. (10K)		
VR4			R12-3132-05	TRIMMING POT. (47K)		
VR5			R12-3126-05	TRIMMING POT. (10K)		
VR201		*	R05-3452-05	POTENTIOMETER (10K-A)		
S201			S40-2440-15	PUSH SWITCH (POWER)		
S202, 203			S40-1086-05	TACT SWITCH (MONI, SQ)		
S204, 205		*	S40-1436-05	TACT SWITCH (SET1, 2)		
D1			1SV164	CHIP DIODE		
D2			1SV164	CHIP DIODE		KMPC2
D3			1SV164	CHIP DIODE		
D4			1SV164	CHIP DIODE		KMPC2
D5			1SV164	CHIP DIODE		P2M2C1
D5			1SV166	CHIP DIODE		KMPC2
D6			1SV164	CHIP DIODE		KMPC2
D7 , 8			1SV164	CHIP DIODE		
D9			1SV164	CHIP DIODE		P2M2C1
D9			1SV166	CHIP DIPDE		KMPC2
D10			1SS184	CHIP DIODE		
D11			MA344B	CHIP DIODE		
D12			1SS184	CHIP DIODE		
D14			1SS184	CHIP DIODE		
D15			1SS181	CHIP DIODE		
D16			MI407	DIODE		
D17			MI808	CHIP DIODE		
D18 , 19			1SS226	CHIP DIODE		
D20			DSA3A1	DIODE		
D201			1SS226	CHIP DIODE		
IC1			KCD01	H.IC(FM-IF)		
IC2			UPC1241H	IC(AF POWER AMP)		
IC3		*	KCA03	H.IC(MIC AMP)		
IC4			NJM78L05UA	IC(VOLTAGE REGULATOR/+5V)		
IC5			LA5010M	IC(VOLTAGE REGULATOR/+10V)		
IC6			KCB05	H.IC(DRIVE)		
IC7			MC7808CT	IC(VOLTAGE REGULATORS/ +8V)		
IC201			NJM78L05UA	IC(VOLTAGE REGULATORS/ +5V)		
IC202			AK93C46F	IC(EEPROM)		
IC203		*	75104G-605-1B	IC(CPU)		
IC204			S-8054ALR-LN	IC(BACK-UP)		
IC301		*	M67741H-22	IC(POWER MODULE:136-150MHZ)		KMPC2
IC301		*	M57741UL-22	IC(POWER MODULE:150-175MHZ)		P2M2C1
Q1			3SK184(S)	CHIP FET		

E: Scandinavia & Europe K: USA P: Canada W: Europe

U: PX(Far East, Hawaii) T: England M: Other Areas

UE: AAFES(Europe) X: Australia

⚠ indicates safety critical components.

PARTS LIST

× New Parts

Parts without Parts No. are not supplied.

Les articles non mentionnés dans le Parts No. ne sont pas fournis.

Teile ohne Parts No. werden nicht geliefert.

Ref. No. 参照番号	Address 位置	New Parts 新	Parts No. 部品番号	Description 部品名 / 規格	Desti- nation 仕向	Re- marks 備考
Q2			3SK131(V12)	CHIP FET		
Q3			2SC2714(Y)	CHIP TRANSISTOR		
Q4			2SD1757(K)	CHIP TRANSISTOR		
Q5 ,6			2SB1119S	CHIP TRANSISTOR		
Q7			DTC144WK	DIGITAL TRANSISTOR		
Q8 -10			2SC2712(Y)	CHIP TRANSISTOR		
Q11			2SD1757(K)	CHIP TRANSISTOR		
Q13			2SC2712(Y)	CHIP TRANSISTOR		
Q14			2SK208(Y)	CHIP FET		
Q15			2SC2714(Y)	CHIP TRANSISTOR		
Q16			2SD1406(Y)	TRANSISTOR		
Q17			2SB1302S	CHIP TRANSISTOR		
Q18			DTC114WK	DIGITAL TRANSISTOR		
Q201, 202			2SC2712(Y)	CHIP TRANSISTOR		
TH1		*	157-252-55038	THERMISTER (2.5K)		
S206			W02-0866-05	ROTARY ENCODER		
Z1		*	X59-3740-10	SUB UNIT(HPF)		
Z2		*	X58-3710-10	SUB UNIT(PLL)	KPMC2	
Z2		*	X58-3711-01	SUB UNIT(PLL)	P2M2C1	
Z3			X59-3130-00	SUB UNIT(APC)		

E: Scandinavia & Europe K: USA P: Canada W: Europe

U: PX(Far East, Hawaii) T: England M: Other Areas

UE: AAFES(Europe) X: Australia

⚠ indicates safety critical components.