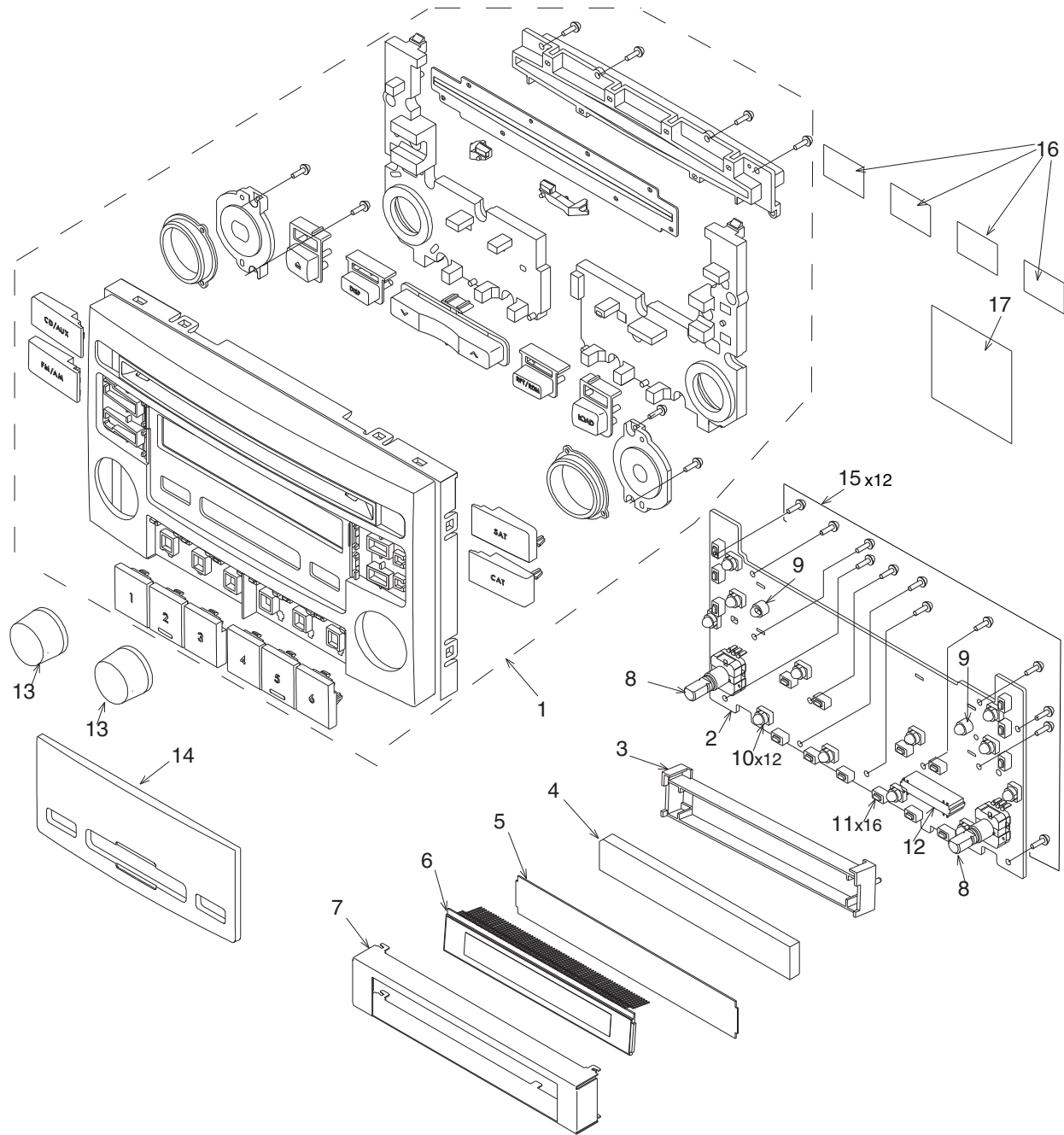


EXPLODED VIEW / PARTS LIST

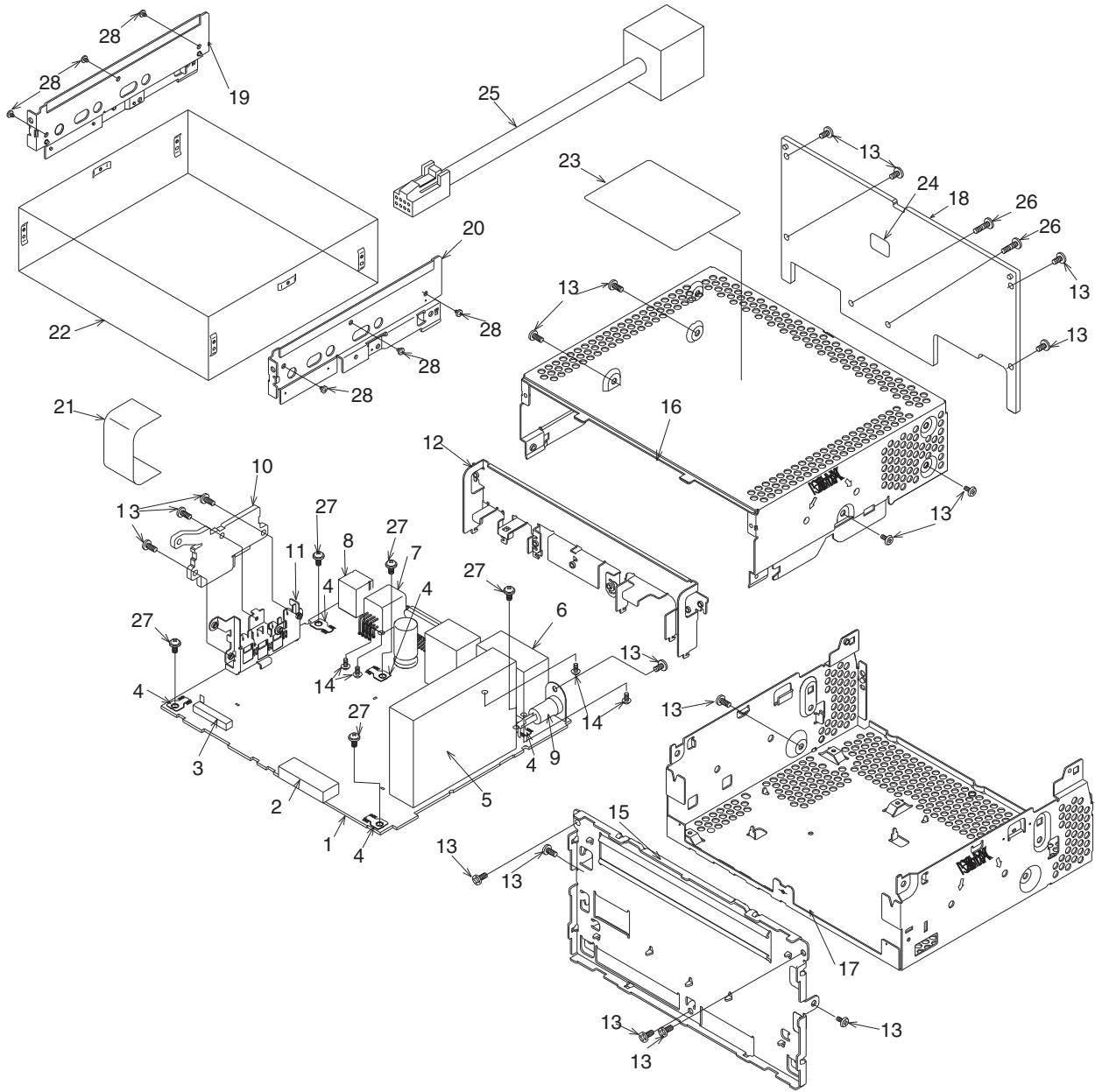
Escutcheon section



NO.	PART NO.	DESCRIPTION	Q'TY
1	940-8144-12	ES-ASSY	1
2	-----	SWITCH PWB	1
3	335-7291-00	LCD HOLDER	1
4	335-7323-00	LCD ILLUMI	1
5	335-7322-00	COLOR FILTER	1
6	379-1359-52	LCD	1
7	331-3883-00	LCD-COVER	1
8	016-0014-15	VR W/SHAFT	2
9	017-0429-24	PILOTLAMP(8V 105mA)	2

NO.	PART NO.	DESCRIPTION	Q'TY
10	017-0465-53	PILOTLAMP(14V 40mA)	12
11	013-6302-54	SWITCH	16
12	074-3013-74	OULET SOCKET(24P)	1
13	380-5674-00	KNOB	2
14	371-5857-00	DIAL COVER	1
15	716-0778-52	WAVE SCREW(M2x6)	12
16	345-4220-10	RUBBER PART	4
17	345-6005-00	PROTECTOR	1

Main section



NO.	PART NO.	DESCRIPTION	Q'TY
1	-----	MAIN PWB	1
2	076-0662-74	PLUG(24P)	1
3	074-1237-69	OUTLET SOCKET(19P)	1
4	073-0762-90	TERMINAL	5
5	941-0215-73	TUNER PACK	1
6	074-1010-10	OUTLET SOCKET(14P)	1
7	074-1302-08	OUTLET SOCKET(8P)	1
8	074-1194-00	OUTLET SOCKET(13P)	1
9	092-0702-00	ANT-RECEPT	1
10	313-1966-00	SUB HEAT SINK	1
11	331-4126-00	TR HOLDER	1
12	331-4310-00	REAR PLATE	1
13	714-2606-8B	MACHINE SCREW(M2.6x6)	18
14	778-3006-00	TAP-SCREW(M3x6)	4
15	309-0828-00	ES PLATE	1
16	310-1826-40	UPPER CASE(PF-2868A-A)	1

NO.	PART NO.	DESCRIPTION	QTY
16	310-1826-15	UPPER CASE(PF-2868A-B)	1
17	311-1919-20	LOWER CASE	1
18	313-1962-00	HEAT SINK	1
19	331-4091-10	6CD BRKT(L)	1
20	331-4092-10	6CD BRKT(R)	1
21	816-4024-50	FLAT WIRE	1
22	929-0371-82	CD-CHANG-MECH	1
23	276-0030-03	SETPLATE(PF-2868A-A)	1
	286-6317-04	SETPLATE(PF-2868A-B)	1
24	290-8338-07	LABLE(PF-2868A-A)	1
	290-8338-09	LABLE(PF-2868A-B)	1
25	854-4598-01	EXTENSION LEAD	1
26	714-2610-8A	SCREW(M2.6x10)(PF-2868A-A)	2
	714-2610-8B	SCREW(M2.6x10)(PF-2868A-B)	2
27	716-1611-50	SCREW(M2.3x2.5)	5
28	716-3552-00	SCREW(M2.3x0.4)	6

ELECTRICAL PARTS LIST

Main PWB(B1) section

REF No.	PART No.	DESCRIPTION	REF No.	PART No.	DESCRIPTION	REF No.	PART No.	DESCRIPTION
ANT101	092-0702-00	ANTENNA RECEPT	C313	188-2253-68	50V 2.2uF	C512	168-1032-55	0.01uF K
BL101	941-0215-73	TUNER PACK	C314	188-2253-68	50V 2.2uF	C513	189-1073-29	10V 100uF
C103	168-2232-55	0.022uF K	C318	168-1522-55	1500pF K	C514	168-1042-78	16V 0.1uF
C104	188-1073-28	10V 100uF	C319	168-1522-55	1500pF K	C516	188-1063-38	16V 10uF
C105	168-1042-78	16V 0.1uF	C322	188-1063-38	16V 10uF	C517	042-0559-00	5.5V 0.1F
C106	168-1042-78	16V 0.1uF	C323	188-1063-38	16V 10uF	C722	168-1042-78	16V 0.1uF
C107	188-1073-28	10V 100uF	C324	188-1073-28	10V 100uF	C731	172-1041-15	0.1uF
C108	168-1042-78	16V 0.1uF	C325	168-1042-78	16V 0.1uF	C732	188-1053-68	50V 1uF
C109	168-2232-55	0.022uF K	C326	188-1053-68	50V 1uF	C741	043-0328-90	0.1uF
C111	168-2232-55	0.022uF K	C327	188-1053-68	50V 1uF	C744	188-1073-28	10V 100uF
C112	168-4745-79	0.47uF Z	C328	188-2253-68	50V 2.2uF	C761	188-1063-38	16V 10uF
C113	168-5632-78	16V 0.056uF	C329	188-2253-68	50V 2.2uF	C762	188-1063-38	16V 10uF
C114	168-5632-78	16V 0.056uF	C330	168-2222-55	2200pF K	C771	188-1073-28	10V 100uF
C121	166-1501-50	15pF CH	C331	168-2222-55	2200pF K	C772	188-1063-38	16V 10uF
C122	188-4763-38	16V 47uF	C332	178-3342-78	0.33uF	C791	188-4756-58	35V 4.7uF
C123	168-1022-55	1000pF K	C333	178-3342-78	0.33uF	C792	168-1042-78	16V 0.1uF
C124	042-1458-90	50V 1uF LN	C334	166-4711-50	470pF CH	C801	119-0000-05	1/10W 0 ohm JW
C125	166-1501-50	15pF CH	C335	166-4711-50	470pF CH	C811	172-1041-15	0.1uF
C126	166-1011-50	100pF CH	C341	178-1052-78	1uF	C821	188-1063-38	16V 10uF
C127	166-1011-50	100pF CH	C342	178-1052-78	1uF	CCT501	050-0140-54	1/32W 1k ohm x4J
C128	166-1011-50	100pF CH	C343	178-1052-78	1uF	CCT504	050-0140-54	1/32W 1k ohm x4J
C129	166-1011-50	100pF CH	C344	178-1052-78	1uF	CCT505	050-0140-54	1/32W 1k ohm x4J
C130	168-2232-55	0.022uF K	C345	188-1063-38	16V 10uF	D391	001-0516-90	MA111
C131	188-4763-38	16V 47uF	C346	188-1073-28	10V 100uF	D505	001-0516-90	MA111
C181	168-1052-78	1uF	C347	168-1042-78	16V 0.1uF	D507	001-4301-25	HZU4.7B1
C182	188-3363-28	10V 33uF	C348	166-1007-50	10pF CH	D508	001-0466-90	S5688B
C183	188-3353-68	50V 3.3uF	C349	166-1007-50	10pF CH	D509	001-0504-36	HZS7 A1L
C184	168-1042-78	16V 0.1uF	C350	166-1007-50	10pF CH	D701	001-0424-31	MA4180
C185	168-1022-55	1000pF K	C351	166-1007-50	10pF CH	D702	001-0424-31	MA4180
C186	168-3332-78	0.033uF K	C352	168-1042-78	16V 0.1uF	D703	001-0424-31	MA4180
C187	168-1032-55	0.01uF K	C353	042-1562-65	10V 220uF	D711	001-0466-90	S5688B
C188	168-2245-79	0.22uF Z	C354	166-2201-50	22pF CH	D712	001-0466-90	S5688B
C189	168-6832-78	0.068uF K	C355	166-2201-50	22pF CH	D731	001-0466-90	S5688B
C190	168-2222-55	2200pF K	C356	166-1007-50	10pF CH	D761	001-0504-39	HZS7 B2L
C191	168-3332-78	0.033uF K	C357	166-1007-50	10pF CH	D771	001-0347-43	MA4082L
C192	168-3332-78	0.033uF K	C358	188-1063-38	16V 10uF	D772	001-0347-37	MA4068L
C193	168-3332-78	0.033uF K	C359	188-1063-38	16V 10uF	D801	001-0592-00	RM4Z
C194	188-1053-68	50V 1uF	C360	188-1063-38	16V 10uF	IC121	051-6201-90	LC72146M
C195	168-3332-78	0.033uF K	C361	188-1063-38	16V 10uF	IC181	051-4618-90	HA12181FP-EL-E
C196	168-3332-78	0.033uF K	C391	043-0311-92	10V 0.22uF B	IC241	051-3367-90	NJU7780U1-33-TE2
C212	188-4763-38	16V 47uF	C392	043-0311-92	10V 0.22uF B	IC272	051-3334-00	NJM2396F09
C222	168-1042-78	16V 0.1uF	C393	043-0311-92	10V 0.22uF B	IC301	051-5042-91	CL7639V11
C241	168-2232-55	0.022uF K	C394	043-0311-92	10V 0.22uF B	IC341	051-5840-90	CL7688E10
C243	188-4763-38	16V 47uF	C395	168-1032-55	0.01uF K	IC351	051-3034-90	NJM4558V
C244	168-1042-78	16V 0.1uF	C396	163-1053-65	50V 1uF	IC391	051-2040-00	TA8276H
C245	168-1042-78	16V 0.1uF	C397	042-1624-00	16V 4700uF	IC501	052-3196-60	M30622MGP-D78GP
C274	189-2273-29	10V 220uF	C398	163-1063-35	16V 10uF	IC502	051-0869-58	NJM2103M
C276	043-0328-90	0.1uF	C399	163-1053-65	50V 1uF	IC503	051-9400-29	BR93L46F-W
C301	178-1052-78	1uF	C501	168-1042-78	16V 0.1uF	IC504	051-6600-58	HA12187FP
C302	178-1052-78	1uF	C502	188-4763-18	6.3V 47uF	IC741	051-3369-00	NJM2388F84
C305	178-1052-78	1uF	C503	168-1032-55	0.01uF K	J241	074-1237-69	19P
C306	178-1052-78	1uF	C504	168-1032-55	0.01uF K	J701	074-1194-00	13P CE-NET
C307	168-2732-55	16V 0.027uF K	C505	168-1032-55	0.01uF K	J721	074-1302-08	8P
C308	168-2732-55	16V 0.027uF K	C506	168-1042-78	16V 0.1uF	J801	074-1010-10	14P
C309	168-2232-55	0.022uF K	C507	188-1053-68	50V 1uF	L101	010-2003-04	30uH
C310	168-2232-55	0.022uF K	C509	168-1022-55	1000pF K	L102	010-6009-76	22uH J
C311	188-2253-68	50V 2.2uF	C510	168-1022-55	1000pF K	L103	010-6009-76	22uH J
C312	188-2253-68	50V 2.2uF	C511	168-1042-78	16V 0.1uF	L121	010-6009-76	22uH J

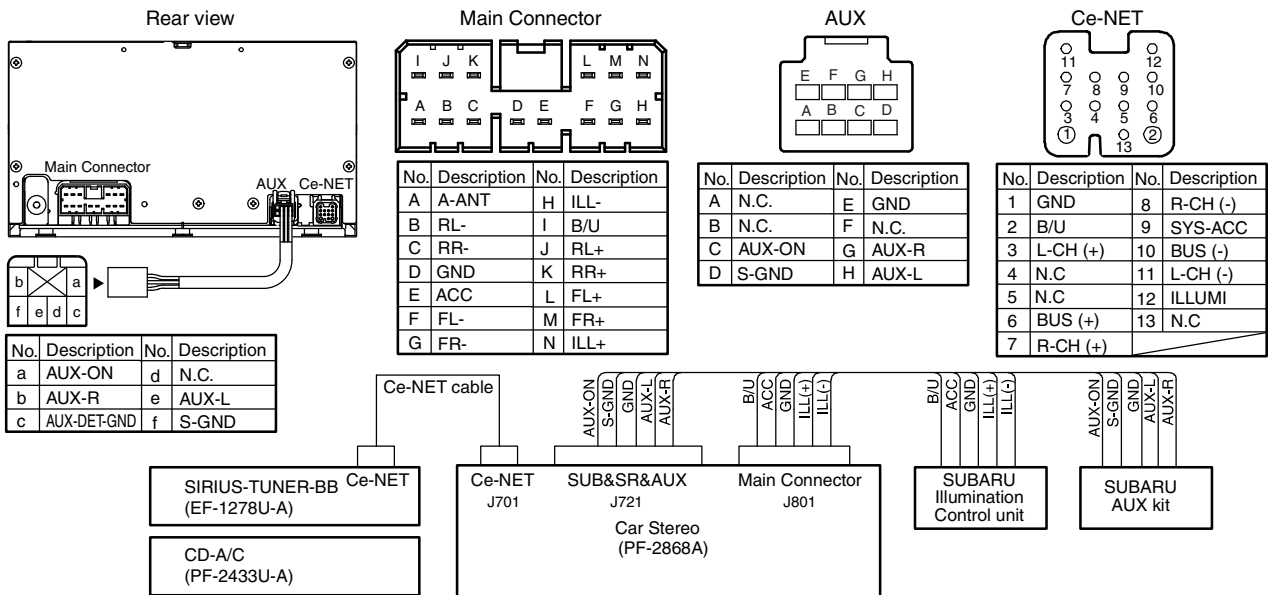
REF No.	PART No.	DESCRIPTION	REF No.	PART No.	DESCRIPTION	REF No.	PART No.	DESCRIPTION
L181	010-6009-85	120uH J	R133	119-2221-15	1/10W 2.2k ohm	R394	119-2221-15	1/10W 2.2k ohm
L501	010-6009-76	22uH J	R134	119-2221-15	1/10W 2.2k ohm	R395	119-2221-15	1/10W 2.2k ohm
L502	010-6009-76	22uH J	R135	119-1031-15	1/10W 10k ohm	R396	119-2221-15	1/10W 2.2k ohm
L801	010-8026-00	210uH	R181	119-1041-15	1/10W 100k ohm	R397	119-1031-15	1/10W 10k ohm
P501	076-0662-74	24P	R182	119-4731-15	1/10W 47k ohm	R398	119-4731-15	1/10W 47k ohm
Q121	190-1298-00	2SA1298	R183	119-1231-15	1/10W 12k ohm	R399	119-4731-15	1/10W 47k ohm
Q122	190-1298-00	2SA1298	R184	119-2731-15	1/10W 27k ohm	R400	119-1031-15	1/10W 10k ohm
Q123	190-1298-00	2SA1298	R185	119-1841-15	1/10W 180k ohm	R502	119-4721-15	1/10W 4.7k ohm
Q241	125-0021-91	DTA114EUA	R186	119-5621-15	1/10W 5.6k ohm	R503	119-4721-15	1/10W 4.7k ohm
Q242	125-2027-91	DTC114EUA	R187	119-1821-15	1/10W 1.8k ohm	R504	119-4721-15	1/10W 4.7k ohm
Q243	193-0601-00	2SD601A	R188	119-1821-15	1/10W 1.8k ohm	R510	119-4721-15	1/10W 4.7k ohm
Q244	192-4116-00	2SC4116	R242	119-4731-15	1/10W 47k ohm	R511	119-4721-15	1/10W 4.7k ohm
Q245	125-2027-91	DTC114EUA	R243	119-1021-15	1/10W 1k ohm	R512	119-4721-15	1/10W 4.7k ohm
Q246	125-0021-91	DTA114EUA	R245	119-3331-15	1/10W 33k ohm	R513	119-4721-15	1/10W 4.7k ohm
Q247	125-2027-91	DTC114EUA	R246	119-4731-15	1/10W 47k ohm	R514	119-1021-15	1/10W 1k ohm
Q248	198-3018-00	2SK3018	R248	119-1041-15	1/10W 100k ohm	R515	119-1041-15	1/10W 100k ohm
Q249	198-3018-00	2SK3018	R250	119-3331-15	1/10W 33k ohm	R516	119-1041-15	1/10W 100k ohm
Q391	125-2027-91	DTC114EUA	R253	119-4731-15	1/10W 47k ohm	R517	116-1001-15	1/4W 10 ohm
Q392	192-4116-00	2SC4116	R255	119-3331-15	1/10W 33k ohm	R520	119-4731-15	1/10W 47k ohm
Q502	190-1736-00	2SA1736	R256	119-0000-05	1/10W 0 ohm JW	R521	119-4731-15	1/10W 47k ohm
Q503	192-4116-00	2SC4116	R258	119-4731-15	1/10W 47k ohm	R522	119-4731-15	1/10W 47k ohm
Q504	192-4116-00	2SC4116	R271	119-4731-15	1/10W 47k ohm	R529	119-1031-15	1/10W 10k ohm
Q505	192-4116-00	2SC4116	R273	119-0000-05	1/10W 0 ohm JW	R530	119-1041-15	1/10W 100k ohm
Q506	193-2118-50	2SD2118F5 R,S	R301	119-1021-15	1/10W 1k ohm	R532	119-4721-15	1/10W 4.7k ohm
Q701	192-4116-00	2SC4116	R302	119-1021-15	1/10W 1k ohm	R533	119-4721-15	1/10W 4.7k ohm
Q711	190-1736-00	2SA1736	R305	119-1021-15	1/10W 1k ohm	R534	119-1021-15	1/10W 1k ohm
Q712	192-4116-00	2SC4116	R306	119-1021-15	1/10W 1k ohm	R535	119-1031-15	1/10W 10k ohm
Q761	193-1664-00	2SD1664 P,Q,R	R307	119-1021-15	1/10W 1k ohm	R536	119-2221-15	1/10W 2.2k ohm
Q762	125-0021-91	DTA114EUA	R308	119-1021-15	1/10W 1k ohm	R537	119-1031-15	1/10W 10k ohm
Q763	125-2027-91	DTC114EUA	R309	119-1021-15	1/10W 1k ohm	R538	119-1031-15	1/10W 10k ohm
Q771	193-2118-50	2SD2118F5 Q,R,S	R310	119-1021-15	1/10W 1k ohm	R539	119-1031-15	1/10W 10k ohm
Q773	192-4116-00	2SC4116	R311	119-5631-15	1/10W 56k ohm	R540	119-4731-15	1/10W 47k ohm
Q776	125-0021-91	DTA114EUA	R312	119-5631-15	1/10W 56k ohm	R544	119-4731-15	1/10W 47k ohm
Q777	125-2027-91	DTC114EUA	R313	119-5631-15	1/10W 56k ohm	R545	119-6831-15	1/10W 68k ohm
Q791	192-4118-00	2SC4118	R314	119-5631-15	1/10W 56k ohm	R546	119-1021-15	1/10W 1k ohm
Q792	192-4116-00	2SC4116	R319	119-1031-15	1/10W 10k ohm	R547	119-1021-15	1/10W 1k ohm
Q821	190-1736-00	2SA1736	R320	119-6811-15	1/10W 680 ohm	R548	119-1031-15	1/10W 10k ohm
Q822	192-4116-00	2SC4116	R321	119-1031-15	1/10W 10k ohm	R549	119-3341-15	1/10W 330k ohm
R101	119-0000-05	1/10W 0 ohm JW	R322	119-6811-15	1/10W 680 ohm	R550	032-0140-22	1/10W 68k ohm F
R102	119-0000-05	1/10W 0 ohm JW	R341	119-1051-15	1/10W 1M ohm	R551	032-0140-00	1/10W 56k ohm F
R103	119-1041-15	1/10W 100k ohm	R342	119-6811-15	1/10W 680 ohm	R552	117-6821-15	1/8W 6.8k ohm
R104	119-2221-15	1/10W 2.2k ohm	R343	119-0000-05	1/10W 0 ohm JW	R553	119-4731-15	1/10W 47k ohm
R105	119-3911-15	1/10W 390 ohm	R344	119-0000-05	1/10W 0 ohm JW	R554	119-4731-15	1/10W 47k ohm
R106	119-2221-15	1/10W 2.2k ohm	R345	119-0000-05	1/10W 0 ohm JW	R555	119-5621-15	1/10W 5.6k ohm
R107	116-1001-15	1/4W 10 ohm	R346	119-0000-05	1/10W 0 ohm JW	R556	119-1021-15	1/10W 1k ohm
R108	119-2231-15	1/10W 22k ohm	R351	119-8211-15	1/10W 820 ohm	R557	119-2231-15	1/10W 22k ohm
R109	119-5121-15	1/10W 5.1k ohm	R352	119-1021-15	1/10W 1k ohm	R558	119-2231-15	1/10W 22k ohm
R111	119-0000-05	1/10W 0 ohm JW	R353	032-0140-50	1/10W 10k ohm F	R568	119-4731-15	1/10W 47k ohm
R121	119-0000-05	1/10W 0 ohm JW	R354	032-0140-50	1/10W 10k ohm F	R570	119-4731-15	1/10W 47k ohm
R122	119-3321-15	1/10W 3.3k ohm	R355	032-0140-50	1/10W 10k ohm F	R572	119-4731-15	1/10W 47k ohm
R123	119-4721-15	1/10W 4.7k ohm	R356	032-0140-50	1/10W 10k ohm F	R573	119-4731-15	1/10W 47k ohm
R124	119-2221-15	1/10W 2.2k ohm	R357	032-0140-50	1/10W 10k ohm F	R701	116-1211-15	1/4W 120 ohm
R125	119-1021-15	1/10W 1k ohm	R358	032-0140-50	1/10W 10k ohm F	R702	116-6801-15	1/4W 68 ohm
R127	119-5631-15	1/10W 56k ohm	R359	032-0140-50	1/10W 10k ohm F	R703	119-2231-15	1/10W 22k ohm
R128	119-4731-15	1/10W 47k ohm	R360	032-0140-50	1/10W 10k ohm F	R704	119-2231-15	1/10W 22k ohm
R130	119-2221-15	1/10W 2.2k ohm	R391	119-5631-15	1/10W 56k ohm	R711	116-2221-15	1/4W 2.2k ohm
R131	119-1031-15	1/10W 10k ohm	R392	119-1221-15	1/10W 1.2k ohm	R712	117-1031-15	1/8W 10k ohm
R132	119-1031-15	1/10W 10k ohm	R393	119-2221-15	1/10W 2.2k ohm	R713	116-2221-15	1/4W 2.2k ohm

REF No.	PART No.	DESCRIPTION	REF No.	PART No.	DESCRIPTION	REF No.	PART No.	DESCRIPTION
R714	119-1031-15	1/10W 10k ohm	R781	119-0000-05	1/10W 0 ohm JW	SUP101	060-0122-20	DSP-141N-S00B
R715	119-3321-15	1/10W 3.3k ohm	R791	119-0000-05	1/10W 0 ohm JW	TH711	002-0318-01	1206L035YRT
R726	119-1021-15	1/10W 1k ohm	R792	116-4721-15	1/4W 4.7k ohm	TM101	073-0762-90	TERMINAL
R731	116-5621-15	1/4W 5.6k ohm	R794	119-1831-15	1/10W 18k ohm	TM501	073-0762-90	TERMINAL
R732	116-4721-15	1/4W 4.7k ohm	R795	119-4721-15	1/10W 4.7k ohm	TM502	073-0762-90	TERMINAL
R761	032-0092-56	1/8W 22k ohm F	R796	116-5611-15	1/4W 560 ohm	TM801	073-0762-90	TERMINAL
R762	119-1541-15	1/10W 150k ohm	R821	116-1031-15	1/4W 10k ohm	TM802	073-0762-90	TERMINAL
R763	032-0092-51	1/8W 1k ohm F	R822	119-1031-15	1/10W 10k ohm	X121	061-1066-00	7.2MHz
R764	119-1221-15	1/10W 1.2k ohm	R823	119-1031-15	1/10W 10k ohm	X341	060-1550-90	4.023MHz
R772	119-2231-15	1/10W 22k ohm	R824	116-2221-15	1/4W 2.2k ohm	X501	060-1533-90	10MHz
R773	116-1021-15	1/4W 1k ohm	R825	116-2221-15	1/4W 2.2k ohm	PWB	039-2891-01	PWB(WITHOUT COMPONENTS)
R774	119-2231-15	1/10W 22k ohm	R901	119-0000-05	1/10W 0 ohm JW			

Switch PWB(B2) section

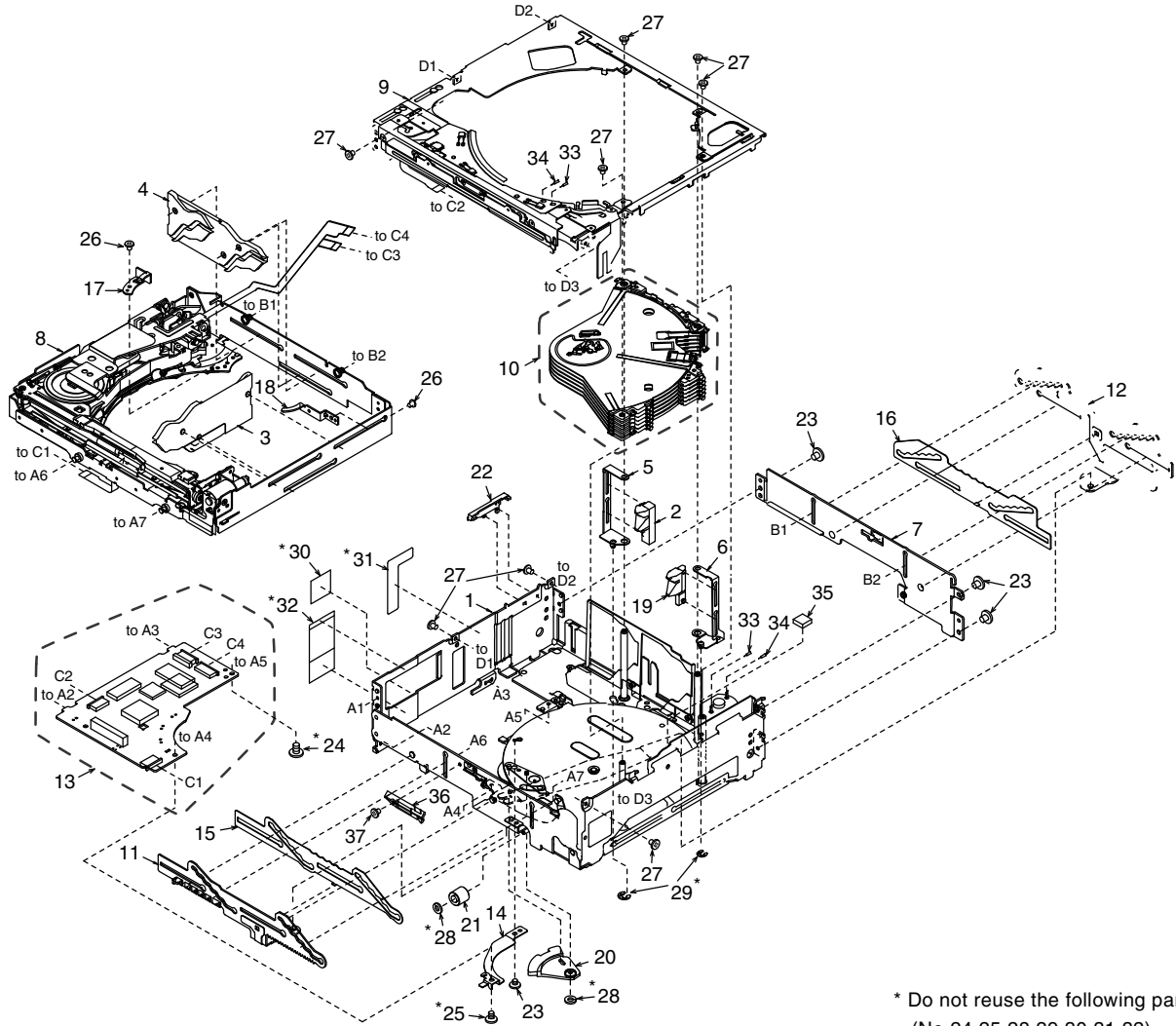
REF No.	PART No.	DESCRIPTION	REF No.	PART No.	DESCRIPTION	REF No.	PART No.	DESCRIPTION
C901	168-1042-78	16V 0.1uF	PL907	017-0465-53	14V 40mA GRN	S902	013-6302-54	SKQMBFE010
C902	168-1042-78	16V 0.1uF	PL908	017-0465-53	14V 40mA GRN	S903	013-6302-54	SKQMBFE010
C903	168-1042-78	16V 0.1uF	PL909	017-0465-53	14V 40mA GRN	S904	013-6302-54	SKQMBFE010
C904	168-1042-78	16V 0.1uF	PL910	017-0465-53	14V 40mA GRN	S905	013-6302-54	SKQMBFE010
C905	168-1042-78	16V 0.1uF	PL911	017-0465-53	14V 40mA GRN	S906	013-6302-54	SKQMBFE010
C906	178-1052-78	1uF	PL912	017-0465-53	14V 40mA GRN	S907	013-6302-54	SKQMBFE010
D901	001-0516-90	MA111	PL913	017-0429-24	8V 105mA GRN	S908	013-6302-54	SKQMBFE010
D902	001-0516-90	MA111	PL914	017-0429-24	8V 105mA GRN	S909	013-6302-54	SKQMBFE010
D903	001-0516-90	MA111	R901	119-0000-05	1/10W 0 ohm JW	S910	013-6302-54	SKQMBFE010
D904	001-0516-90	MA111	R902	119-0000-05	1/10W 0 ohm JW	S911	013-6302-54	SKQMBFE010
IC901	051-6084-00	NJU6625FG1-03	R907	119-0000-05	1/10W 0 ohm JW	S912	013-6302-54	SKQMBFE010
J901	074-3013-74	24P	R908	119-0000-05	1/10W 0 ohm JW	S913	013-6302-54	SKQMBFE010
L901	010-3406-66	22uH J	R909	119-4341-15	1/10W 430k ohm	S914	013-6302-54	SKQMBFE010
LCD901	379-1359-52	LCD(INDICATOR)	R910	119-1841-15	1/10W 180k ohm	S915	013-6302-54	SKQMBFE010
PL901	017-0465-53	14V 40mA GRN	R911	119-1841-15	1/10W 180k ohm	S916	013-6302-54	SKQMBFE010
PL902	017-0465-53	14V 40mA GRN	R912	119-1841-15	1/10W 180k ohm	TH901	002-0306-90	SC20-3J153
PL903	017-0465-53	14V 40mA GRN	R913	119-1841-15	1/10W 180k ohm	VR901	016-0014-15	VR EC11B15243
PL904	017-0465-53	14V 40mA GRN	R914	119-1021-15	1/10W 1k ohm	VR902	016-0014-15	VR EC11B15243
PL905	017-0465-53	14V 40mA GRN	R915	119-1021-15	1/10W 1k ohm	PWB	039-2892-01	PWB(WITHOUT COMPONENTS)
PL906	017-0465-53	14V 40mA GRN	S901	013-6302-54	SKQMBFE010			

CONNECTIONS



EXPLODED VIEW / PARTS LIST

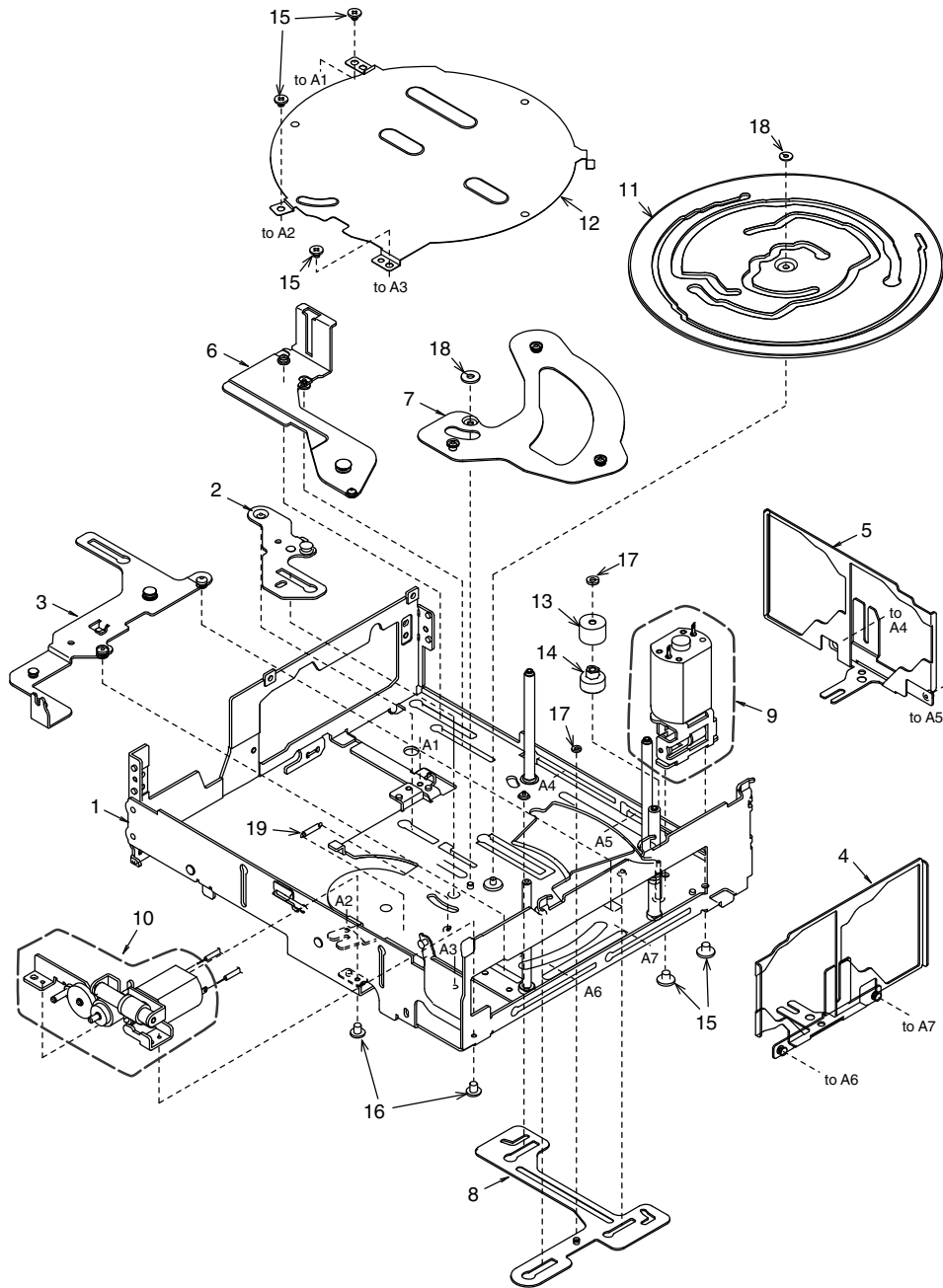
Main section



* Do not reuse the following parts.
(No.24,25,28,29,30,31,32)

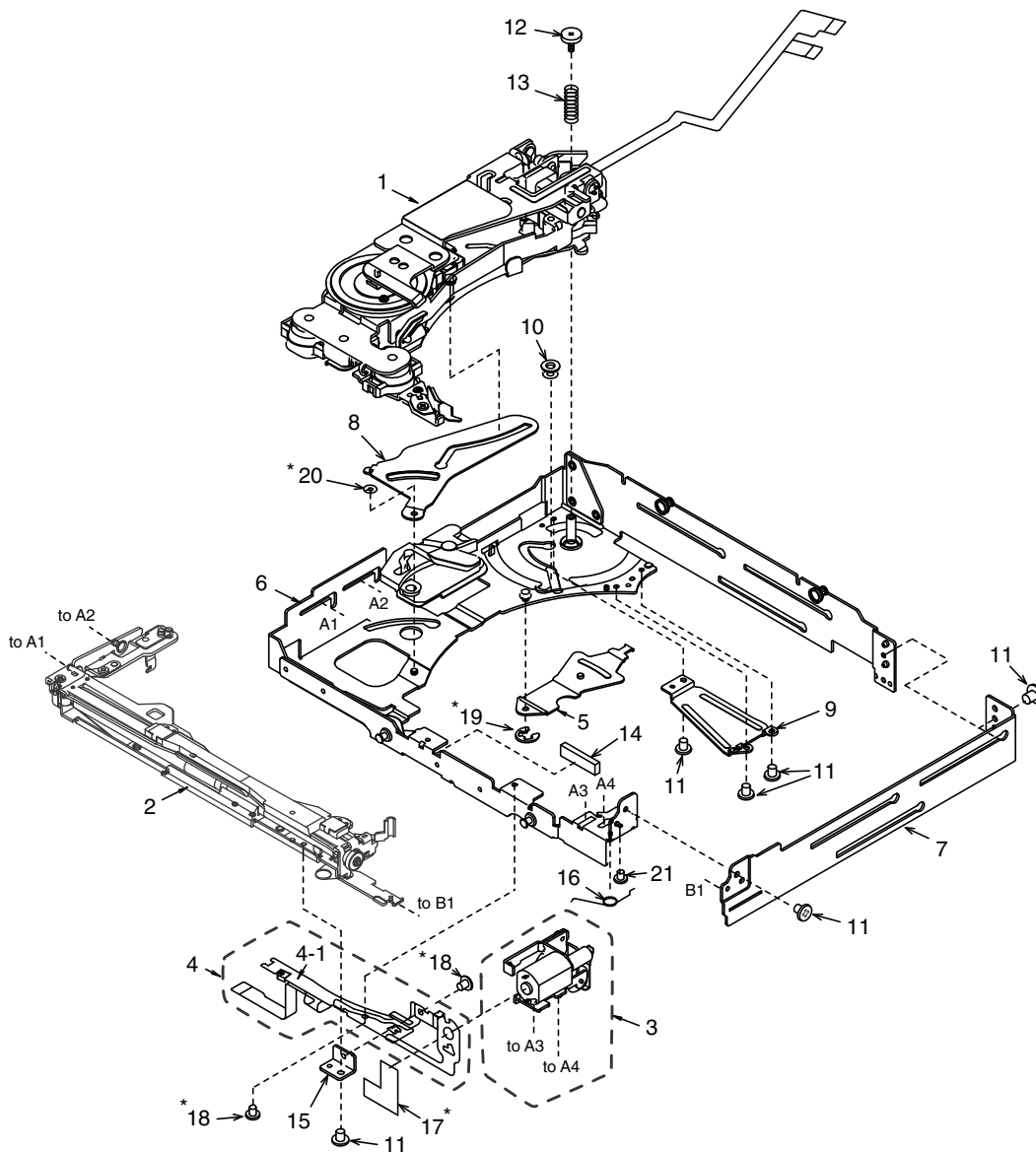
NO.	PART NO.	DESCRIPTION	Q'TY	NO.	PART NO.	DESCRIPTION	Q'TY
1	966-1756-27	LOWER UNIT ASSY	1	20	621-1636-24	SW LINK	1
2	966-0667-21	DISC STP-ASSY L	1	21	621-1765-20	UD-GEAR-D	1
3	HBS-586-100	DH-SEL-ASSY S	1	22	621-1715-20	FPC-STOPPER	1
4	HBS-587-100	DH-SEL-ASSY R	1	23	716-1850-01	SCREW(M2.0x2.0)	4
5	966-0670-22	DS-SP-ASSY L	1	24	716-1850-02	SCREW(M2.0x2.0)	1
6	966-1760-21	DS-SP-ASSY R	1	25	716-1851-02	SCREW(M2.0x3.0)	1
7	966-0672-21	REAR-P-ASSY	1	26	716-3450-00	SCREW(M1.7x2.0)	2
8	966-1753-91	N-DRIVE-CH UNIT	1	27	716-3451-01	SCREW(M1.7x2.5)	8
9	966-1764-21	UPPER UNIT ASSY	1	28	746-0761-00	WASHER(phi1.6)	2
10	HBS-566-200	DISC HOLDER UNIT	1	29	744-0045-01	C-RING	2
11	966-1771-21	SLIDE-P-ASSY F	1	30	347-7271-00	FPC SHEET	1
12	966-0709-21	SLIDE-P-ASSY	1	31	347-7275-00	PROTECT SHEET	1
13	HBS-564-100	CD-PWB-ASSY	1	32	347-7276-00	FPC-SHEET C	1
14	620-1640-20	SW-H-PLATE	1	33	800-4921-60	VINYL-COAT-WIRE	1
15	620-1778-20	GAP PLATE F	1	34	802-4921-60	VINYL-COAT-WIRE	1
16	620-1662-21	GAP PLATE R	1	35	345-5824-00	RUBBER PART	1
17	620-1685-21	DS-PLATE L	1	36	621-1763-20	LOADING GUIDE B	1
18	620-1686-20	DS-PLATE R	1	37	716-1859-01	IT SCREW(M1.7 x 2)	1
19	621-1760-21	DISC STOPPER R	1				

Lower unit assy section



NO.	PART NO.	DESCRIPTION	Q'TY	NO.	PART NO.	DESCRIPTION	Q'TY
1	966-1757-24	LOWER-C-ASSY	1	11	620-1771-22	CAM GEAR	1
2	966-0658-22	DH-SP-ASSY A	1	12	620-1624-24	GEAR COVER	1
3	966-1758-20	DS-SP-ASSY A	1	13	621-0732-21	M-GEAR B	1
4	966-0660-22	DH-SP-ASSY S	1	14	621-0733-20	M-GEAR C	1
5	966-0661-22	DH-SP-ASSY R	1	15	716-1850-01	SCREW(M2.0x2.0)	3
6	966-0677-23	D-SHT PL-B-ASSY	1	16	716-3451-01	SCREW(M1.7x2.5)	2
7	966-0659-22	DH-SP-ASSY B	1	17	746-0761-00	WASHER	2
8	966-1759-20	DS-SP-ASSY B	1	18	746-0768-00	WASHER	2
9	HBS-546-100	M-MTR SUB ASSY	1	19	750-6756-00	SW-L-SPRING	1
10	HBS-568-100	UD-MOTOR-ASSY	1				

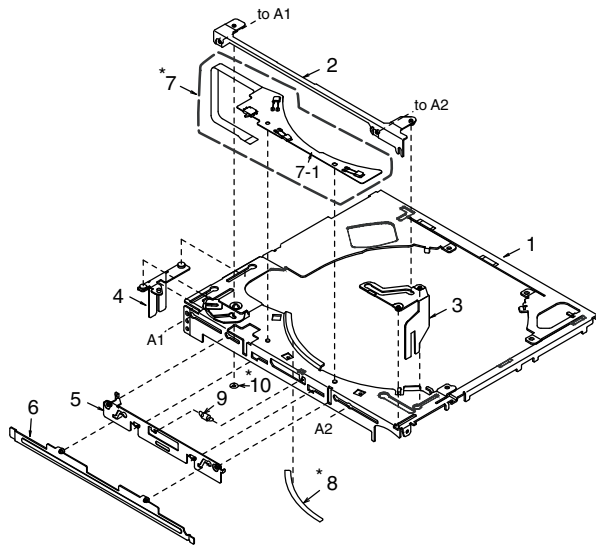
N-Drive-CH unit section



* Do not reuse the following parts.
(No.17,18,19,20)

NO.	PART NO.	DESCRIPTION	Q'TY	NO.	PART NO.	DESCRIPTION	Q'TY
1	HBS-565-100	N-DRIVE UNIT	1	11	716-3450-00	SCREW(M1.7x2.0)	6
2	HBS-567-100	LOADING-U-ASSY	1	12	716-3459-01	SCREW(M1.7x2.0)	1
3	HBS-556-100	LO-MOTOR-S-ASSY	1	13	750-6761-20	DRIVE SPRING A	1
4	HBS-552-100	L-SENSOR-S-ASSY	1	14	345-5868-00	RUBBER PART	1
4-1	-----	SENSOR-L-FPC	1	15	620-1651-20	S-PWB-PLATE	1
5	966-0676-20	D-SHT LK-A-ASSY	1	16	750-6754-20	LO-ES-SPRING B	1
6	966-1755-00	DRIVE-CH A ASSY	1	17	345-5424-01	SEN-FPC GUIDE	1
7	620-1681-01	DRIVE CHASSIS B	1	18	716-1859-01	SCREW(M1.7x2.0)	2
8	620-1672-21	DR-SUPPORT-PL	1	19	744-0039-00	E-RING	1
9	620-1680-20	D-SHIFT COVER	1	20	746-0870-00	WASHER	1
10	622-1743-20	D-SHIFT ROLLER B	1	21	716-3538-00	SCREW(M1.7x2.0)	1

Upper unit assy section



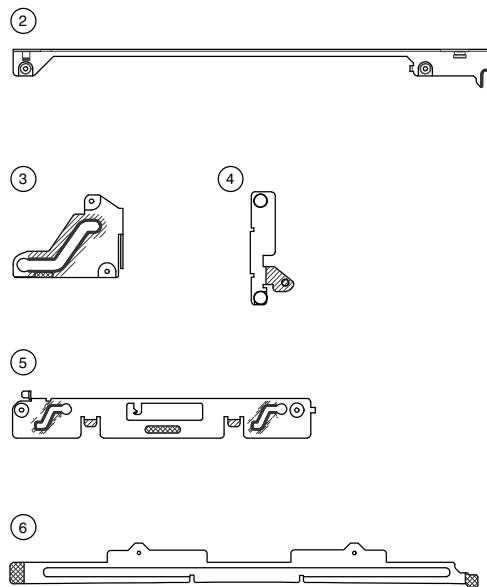
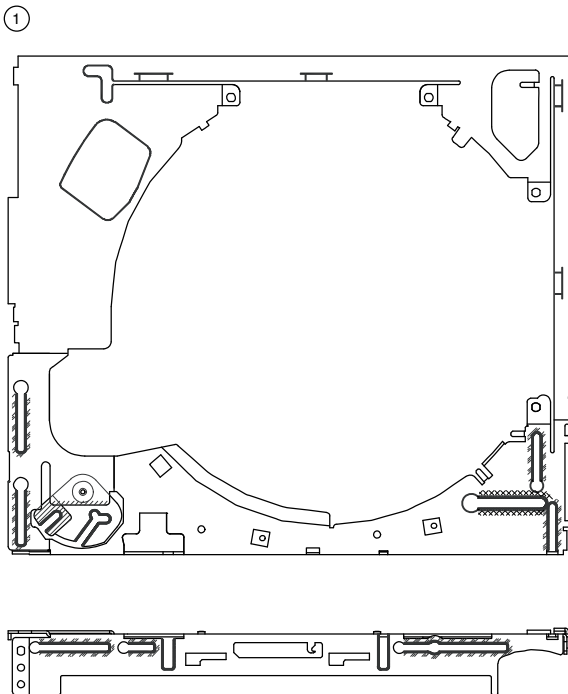
* Do not reuse the following parts.
(No.7,8,10)

NO.	PART NO.	DESCRIPTION	Q'TY
1	966-1761-21	UPPER-CHA-ASSY	1
2	966-1765-20	LO-SHIFT A ASSY	1
3	966-0700-22	LO-SHIFT B ASSY	1
4	966-0701-21	LO-SHIFT ASSY	1
5	966-1766-20	SHUTTER-PL-ASSY	1
6	966-1763-20	SHUTTER ASSY	1
7	HBS-553-100	U-SENSOR-S-ASSY	1
7-1	-----	SENSOR-U-FPC	1
8	347-7272-00	RATTLE SHEET	1
9	750-6755-21	SHUTTER SPRING	1
10	746-0870-00	WASHER	1

[Grease Point]

* Grease: SANKOL FG-87HSR

	Put grease on the surface	
	Put grease on the reverse side	
	Put grease on the both sides	
	Put grease on the edge	



ELECTRICAL PARTS LIST

CD PWB(BM1) section

REF No.	PART No.	DESCRIPTION	REF No.	PART No.	DESCRIPTION	REF No.	PART No.	DESCRIPTION
C1	042-0672-00	25V 47uF TA	C74	168-1042-78	16V 0.1uF Z	R18	119-2231-15	1/10W 22k ohm
C2	166-1011-50	100pF CH	C75	168-2222-55	2200pF K	R19	119-2231-15	1/10W 22k ohm
C3	168-1042-78	16V 0.1uF	C81	166-1007-50	10pF CH	R20	119-4721-15	1/10W 4.7k ohm
C4	178-1052-78	1uF	C82	166-1007-50	10pF CH	R21	119-4731-15	1/10W 47k ohm
C5	042-0671-01	10V 47uF TA	C83	178-1052-78	1uF	R22	119-4731-15	1/10W 47k ohm
C6	168-1042-78	16V 0.1uF	C85	178-1052-78	1uF	R23	119-4731-15	1/10W 47k ohm
C7	168-1032-55	0.01uF K	C86	166-1201-50	12pF CH	R24	050-0145-58	1/16W 2.2k ohm x4
C8	168-1042-78	16V 0.1uF	C87	042-1702-90	6.3V 100uF	R25	119-4721-15	1/10W 4.7k ohm
C9	178-1052-78	1uF	C91	168-1032-55	0.01uF K	R26	119-4721-15	1/10W 4.7k ohm
C10	168-1042-78	16V 0.1uF	CCT1	050-0145-59	1/16W 22 ohm x4	R27	117-7511-15	1/8W 750 ohm
C11	168-1042-78	16V 0.1uF	CCT2	050-0145-54	1/16W 47k ohm x4	R28	116-3391-15	1/4W 3.3 ohm
C12	178-1052-78	1uF	CCT3	050-0145-54	1/16W 47k ohm x4	R29	032-0145-73	1/2W 6.8 ohm
C13	178-1052-78	1uF	CCT4	050-0145-55	1/16W 10k ohm x4	R30	119-1041-15	1/10W 100k ohm
C14	042-0671-01	10V 47uF TA	D1	001-4301-14	HZU 3.0B1	R31	119-6811-15	1/10W 680 ohm
C15	168-1032-55	0.01uF K	D1	001-0529-14	MA8030-L	R32	119-1041-15	1/10W 100k ohm
C20	178-1052-78	1uF	D2	001-0367-91	1SS226	R33	119-6811-15	1/10W 680 ohm
C21	168-1042-78	16V 0.1uF	D3	001-4301-16	HZU 3.3B1	R34	119-1041-15	1/10W 100k ohm
C22	178-1052-78	1uF	D3	004-0529-16	MA8033-L	R35	117-5611-15	1/8W 560 ohm
C23	168-1042-78	16V 0.1uF	D4	001-4301-18	HZU 3.6B1	R36	119-1041-15	1/10W 100k ohm
C24	042-0671-01	10V 47uF TA	D4	001-0529-18	MA8036-L	R37	119-1041-15	1/10W 100k ohm
C25	168-1042-78	16V 0.1uF	IC1	051-6399-00	TC94A15F	R38	119-3321-15	1/10W 3.3k ohm
C26	168-1042-78	16V 0.1uF	IC2	052-5070-81	T5AF4	R39	119-1051-15	1/10W 1M ohm
C27	168-4732-78	0.047uF K	IC3	051-6711-20	TC94A34FG-004	R40	119-0000-05	1/10W 0 ohm JW
C28	166-4701-50	47pF CH	IC4	051-6060-08	BD7961FM-E2	R41	119-1041-15	1/10W 100k ohm
C29	168-4732-78	0.047uF K	IC5	051-5452-90	BD5235G-TR	R42	119-5621-15	1/10W 5.6k ohm
C30	166-4711-50	470pF CH	IC6	051-9318-10	GLT4160L04P-60TC	R43	119-4731-15	1/10W 47k ohm
C31	168-1532-55	0.015uF K	IC6	051-9318-00	GLT4160L04P-60TC	R44	119-2231-15	1/10W 22k ohm
C32	166-4711-50	470pF CH	IC8	051-9402-78	BR93L56RFVM-W	R45	119-8231-15	1/10W 82k ohm
C33	168-1042-78	16V 0.1uF	IC9	051-6072-08	BD7931FE2	R46	119-3341-15	1/10W 330k ohm
C34	168-6822-55	6800pF K	IC10	051-5833-00	GP1S093HCZ	R48	119-2231-15	1/10W 22k ohm
C35	168-1032-55	0.01uF K	IC11	051-3364-90	NJU7771F15	R49	116-1001-15	1/4W 10 ohm
C38	168-3332-78	0.033uF K	IC12	051-3364-90	NJU7771F15	R50	119-1011-15	1/10W 100 ohm
C39	168-4722-55	4700pF K	J1	074-1237-69	19PIN	R51	119-6811-15	1/10W 680 ohm
C40	168-1042-78	16V 0.1uF	J2	074-1201-65	15P	R52	117-7511-15	1/8W 750 ohm
C42	168-1042-78	16V 0.1uF	J3	074-1138-56	6P	R53	116-5611-15	1/4W 560 ohm
C43	168-1532-55	0.015uF K	J4	074-1100-61	SOCKET 11P	R54	119-1041-15	1/10W 100k ohm
C44	168-1042-78	16V 0.1uF	J5	074-1201-61	11P SOCKET	R55	119-1041-15	1/10W 100k ohm
C45	168-1522-55	1500pF K	Q1	060-0252-01	PT4850F	R56	119-1041-15	1/10W 100k ohm
C46	168-1042-78	16V 0.1uF	Q2	125-0021-91	DTA114EUA	R57	119-1041-15	1/10W 100k ohm
C47	166-6811-50	680pF	Q3	198-3018-00	2SK3018	R58	119-1041-15	1/10W 100k ohm
C48	166-6801-50	68pF CH	Q6	131-1188-50	2SB1188PQR	R59	116-1511-15	1/4W 150 ohm
C49	178-1052-78	1uF	Q7	125-2027-91	DTC114EUA	R60	119-4731-15	1/10W 47k ohm
C50	042-0671-01	10V 47uF TA	Q8	131-1427-00	2SB1427	R61	119-4731-15	1/10W 47k ohm
C51	042-0671-01	10V 47uF TA	Q9	131-1188-50	2SB1188PQR	R62	119-1051-15	1/10W 1M ohm
C52	178-1052-78	1uF	Q10	125-2027-91	DTC114EUA	R64	032-0140-53	1/10W 2.2k ohm F
C53	168-1042-78	16V 0.1uF	Q11	125-0021-91	DTA114EUA	R65	119-2211-15	1/10W 220 ohm
C54	178-1052-78	1uF	Q12	125-2027-91	DTC114EUA	R66	032-0140-62	1/10W 1k ohm F
C55	178-1052-78	1uF	Q20	131-1427-00	2SB1427	R71	119-1011-15	1/10W 100 ohm
C56	042-0671-01	10V 47uF TA	R1	119-4731-15	1/10W 47k ohm	R72	119-1011-15	1/10W 100 ohm
C57	168-1042-78	16V 0.1uF	R2	119-2211-15	1/10W 220 ohm	R73	119-1011-15	1/10W 100 ohm
C59	168-1042-78	16V 0.1uF	R3	119-2211-15	1/10W 220 ohm	R77	119-0000-05	1/10W 0 ohm JW
C60	178-1052-78	1uF	R4	119-1041-15	1/10W 100k ohm	R82	119-1011-15	1/10W 100 ohm
C61	168-1032-55	0.01uF K	R5	119-4731-15	1/10W 47k ohm	R83	119-1031-15	1/10W 10k ohm
C62	168-1042-78	16V 0.1uF	R6	119-2211-15	1/10W 220 ohm	R85	119-1021-15	1/10W 1k ohm
C63	168-1042-78	16V 0.1uF	R7	119-2211-15	1/10W 220 ohm	R86	119-2231-15	1/10W 22k ohm
C64	168-1042-78	16V 0.1uF	R8	119-2211-15	1/10W 220 ohm	S1	013-7416-50	SW SPVL110200
C65	168-1042-78	16V 0.1uF	R10	032-0140-16	1/10W 180k ohm F	S2	013-7416-50	SW SPVL110200
C66	168-1042-78	16V 0.1uF	R11	032-0140-96	1/10W 120k ohm F	S3	013-7416-50	SW SPVL110200
C67	168-1042-78	16V 0.1uF	R12	119-2231-15	1/10W 22k ohm	S4	013-7415-50	SPVG110400
C68	168-1042-78	16V 0.1uF	R13	119-4711-15	1/10W 470 ohm	X1	061-3534-90	16.92MHz
C70	168-1042-78	16V 0.1uF	R14	119-2221-15	1/10W 2.2k ohm	X3	060-1545-90	20MHz
C71	168-1042-78	16V 0.1uF	R15	119-1031-15	1/10W 10k ohm	PWB	039-2747-21	PWB(WITHOUT COMPONENTS)
C72	168-1042-78	16V 0.1uF	R16	119-0000-05	1/10W 0 ohm JW			
C73	178-1052-78	1uF	R17	119-4731-15	1/10W 47k ohm			

Sensor-L-PFC(BM2) section

REF No.	PART No.	DESCRIPTION	REF No.	PART No.	DESCRIPTION	REF No.	PART No.	DESCRIPTION
PT1	060-0252-01	PT14850F	PT3	051-5833-00	GP1S093HCZ	PWB	039-2467-21	PWB(WITHOUT COMPONENTS)
PT2	060-0252-01	PT14850F						

Sensor-U-PFC(BM3) section

REF No.	PART No.	DESCRIPTION	REF No.	PART No.	DESCRIPTION	REF No.	PART No.	DESCRIPTION
LED1	001-7077-00	GL4804	LED3	001-7077-00	GL4804	PWB	039-2466-20	PWB(WITHOUT COMPONENTS)
LED2	001-7077-00	GL4804	S5	013-7417-50	ABC1122P161			