
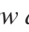


# 9. EXPLODED VIEWS AND PARTS LIST

NOTES : • Parts marked by " \* " are generally unavailable because they are not in our Master Spare Parts List.

• The  mark found on some component parts indicates the importance of the safety factor of the part.

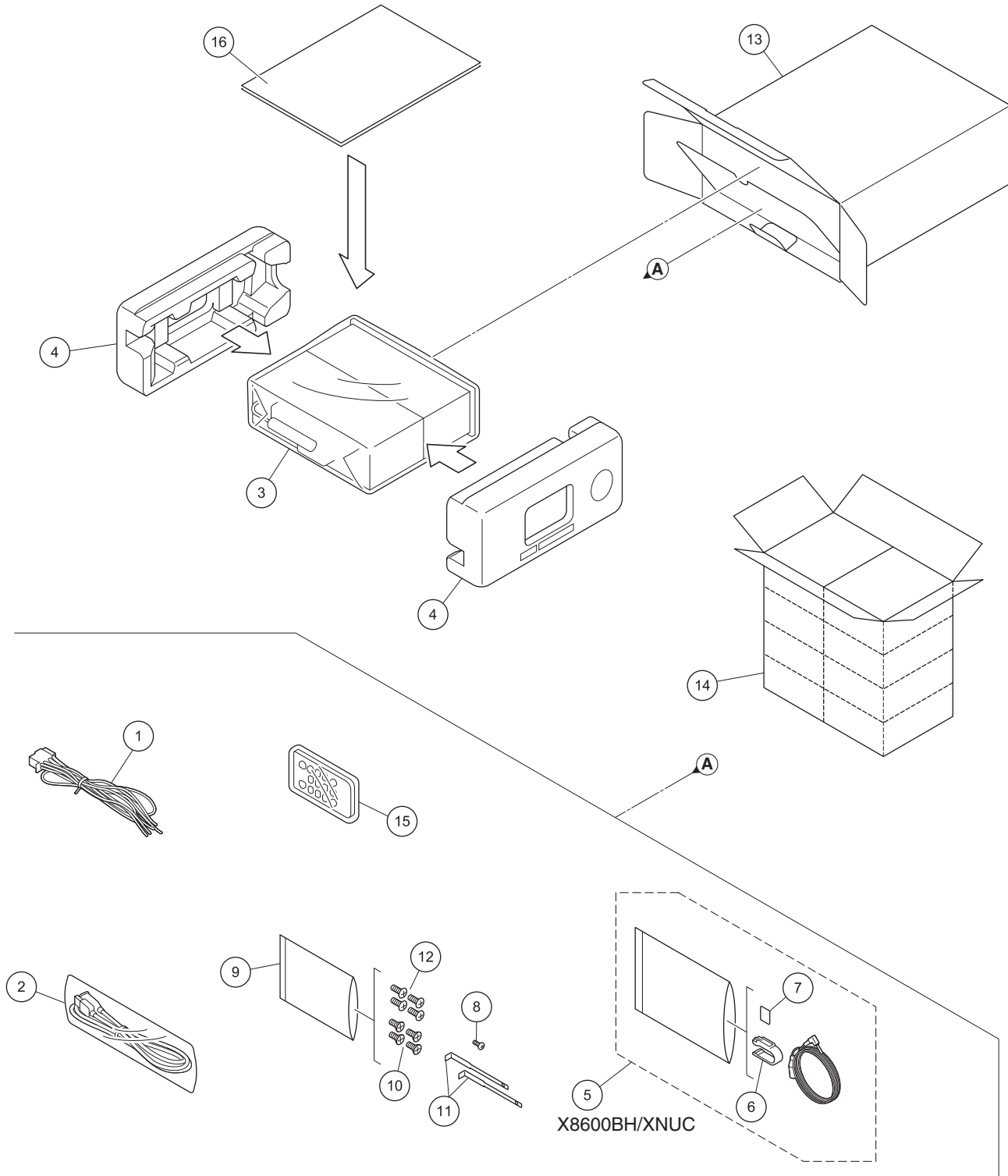
Therefore, when replacing, be sure to use parts of identical designation.

• Screw adjacent to  mark on the product are used for disassembly.

• For the applying amount of lubricants or glue, follow the instructions in this manual.

(In the case of no amount instructions, apply as you think it appropriate.)

## 9.1 PACKING



**(1) PACKING SECTION PARTS LIST**

<u>Mark No.</u>	<u>Description</u>	<u>Part No.</u>	<u>Mark No.</u>	<u>Description</u>	<u>Part No.</u>
1	Cord Assy	CDP1484	10	Screw	CRZ50P090FTC
2	USB Extended Cable	CDP1587			
3	Polyethylene Bag	CEG1173	11	Handle	QNC3021
4	Protector	CHP4594	12	Screw	TRZ50P080FTC
5	Microphone Assy	See Contrast table (2)	13	Unit Box	See Contrast table (2)
			14	Contain Box	See Contrast table (2)
6	Holder	See Contrast table (2)	15	Card Remote Control Unit	See Contrast table (2)
7	Cushion	See Contrast table (2)			
8	Screw	BPZ20P060FTC	16-1	Owner's Manual	QRD3228
9	Polyethylene Bag	CEG1160	* 16-2	Warranty Card	QRY3001

**(2) CONTRAST TABLE**

DEH-X8600BH/XNUC and DEH-X7600HD/XNUC are constructed the same except for the following:

Mark	No.	Description	DEH-X8600BH/XNUC	DEH-X7600HD/XNUC
	5	Microphone Assy	CPM1083	Not used
	6	Holder	CZN7192	Not used
	7	Cushion	CZN7193	Not used
	13	Unit Box	QHG3600	QHG3601
	14	Contain Box	QHL3600	QHL3601
	15	Card Remote Control Unit	QXE1044	QXE1047

**Owner's Manual, Installation Manual**

Part No.	Language
QRD3228	English, French, Spanish(Espanol)

# 9.2 EXTERIOR

1

2

3

4

A

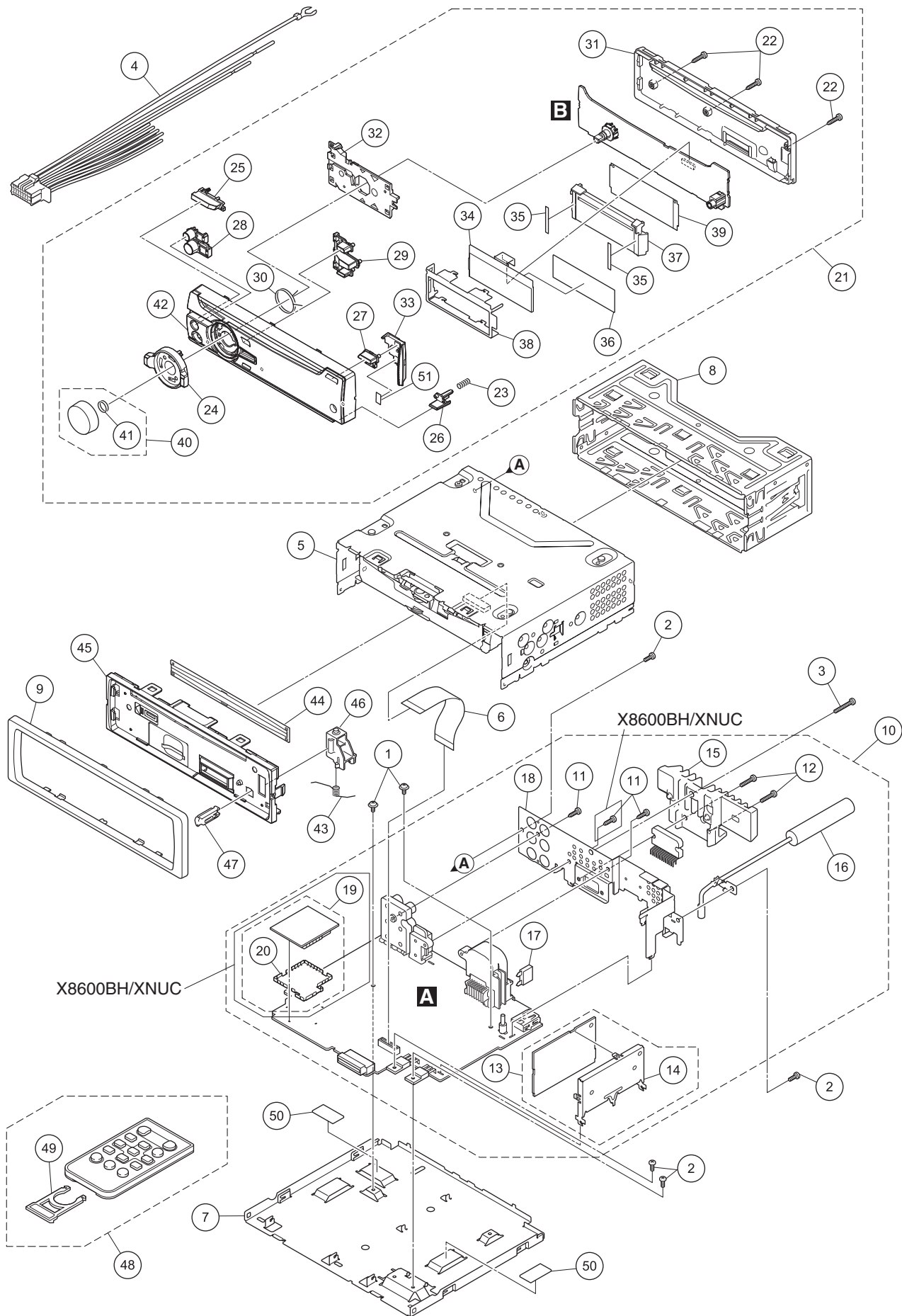
B

C

D

E

F



DEH-X8600BH/XNUC

1

2

3

4

**(1) EXTERIOR SECTION PARTS LIST**

<u>Mark No.</u>	<u>Description</u>	<u>Part No.</u>	<u>Mark No.</u>	<u>Description</u>	<u>Part No.</u>
1	Screw	ASZ26P050FTC	27	Button (EJECT)	QAC3147
2	Screw	BSZ26P060FTC	28	Button (DISP)	QAC3148
3	Screw	BSZ26P120FTC	29	Button (MIX)	QAC3149
4	Cord Assy	CDP1484	30	Spring	QBH3006
5	CD Mechanism Module (S11.6)	CXK5804	31	Cover	QNS3628
6	FFC	QDE3029	32	Lighting Conductor	QNV3080
7	Case	QNB3017	33	Lighting Conductor	QNV3081
8	Holder	QNC3020	34	LCD	CAW2043
9	Panel	QNS3576	35	Tape	QNM3063
10	Tuner Amp Assy	See Contrast table (2)	36	Sheet	QNM3098
11	Screw	BPZ26P080FTC	37	Lighting Conductor	QNV3089
12	Screw	BSZ26P120FTC	38	Holder	YNC5101
13	WWR Core Tuner Unit	CWE2364	39	Sheet	YNM5187
14	Holder	CND6449	40	Knob Unit	QXA3981
15	Heat Sink	QNR3010	41	Spring	YBL5010
16	Antenna Attached Cable	YDH5001	42	Grille Unit	See Contrast table (2)
⚠ 17	Fuse (10 A)	YEK5001	43	Spring	QBH3001
18	Holder	See Contrast table (2)	44	Cover	QNM3029
19	BT Module	See Contrast table (2)	45	Panel	QNS3669
20	Shield Case	See Contrast table (2)	46	Arm	QNV3025
21	Detachable Grille Assy	See Contrast table (2)	47	Button	QNV3026
22	Screw	BPZ20P100FTC	48	Card Remote Control Unit	See Contrast table (2)
23	Spring	CBH2210	49	Cover	CNS7068
24	Lever	QAA3040	50	Sheet	QNM3105
25	Button	See Contrast table (2)	51	Sheet	QNM3101
26	Button (DETACH)	QAC3146			

**(2) CONTRAST TABLE**

DEH-X8600BH/XNUC and DEH-X7600HD/XNUC are constructed the same except for the following:

<b>Mark</b>	<b>No.</b>	<b>Description</b>	<b>DEH-X8600BH/XNUC</b>	<b>DEH-X7600HD/XNUC</b>
	10	Tuner Amp Assy	QWM3776	QWM3775
	18	Holder	YNC5108	YNC5109
	19	BT Module	YWX5048	Not used
	20	Shield Case	YNC5123	Not used
	21	Detachable Grille Assy	QXA3993	QXA3994
	25	Button	QAC3143 (PHONE)	QAC3144 (APP)
	42	Grille Unit	QXA4005	QXA4006
	48	Card Remote Control Unit	QXE1044	QXE1047



## CD MECHANISM MODULE SECTION PARTS LIST

<u>Mark No.</u>	<u>Description</u>	<u>Part No.</u>	<u>Mark No.</u>	<u>Description</u>	<u>Part No.</u>
1	.....		50	Damper	CNW1198
2	Screw	BSZ20P040FTC	51	Arm	CNW1726
3	Screw(M2 x 4)	CBA1835	52	Motor Unit(M2)(LOAD/CRG)	CXC4026
4	Washer	CBF1038	53	Screw Unit	CXC8894
5	Spring	CBH3010	54	Arm Assy	CXE6232
6	Spring	CBH2855	55	Washer	CBF1037
7	Spring	CBH2856	56	Washer	CBF1038
8	Spring	CBH2860	57	Arm	CND6242
9	Screw	BSZ26P060FTC	58	Collar	CNW2444
10	Spring	CBH3011	59	Roller	CNW2500
11	Coil Spring	CBH3095	60	Gear Unit	CXE6225
12	Spring	CBH3014	61	Washer	YE15FTC
13	Spring	CBH3015	62	Chassis Unit	CXE4528
14	Spring	CBH3016	63	Motor Unit(M1)(SPDL)	CXE2273
15	Spring	CBH3017	64	Screw	JFZ20P025FTC
16	Spring	CBH3086	65	Screw	JGZ17P022FTC
17	Spring	CBH3019	66	Screw	EBA1028
18	.....		67	CD Core Unit (S11.6STD)	CWX4023
19	Leaf Spring	CBL1824	68	Chassis	CNA3181
20	Pickup Unit(P10.6)(Service)	CXX3556			
21	Bracket	CND4553			
22	Arm	CND6406			
23	Bracket	CND6127			
24	Bracket	CND5710			
25	Lever	CND5398			
26	Sheet	CNN3678			
27	Rack	CNV8342			
28	Guide	CNW2240			
29	Roller	CNW1172			
30	.....				
31	Arm	CNW2241			
32	Roller	CNW1175			
33	.....				
34	Arm	CNW1177			
35	Arm	CNW1178			
36	Gear	CNW1180			
37	Gear	CNW1181			
38	.....				
39	Gear	CNW1183			
40	Rack	CNW1184			
41	Gear	CNW1185			
42	Gear	CNW1186			
43	Gear	CNW1187			
44	Gear	CNW2287			
45	Clamper	CNW1190			
46	Arm	CNW1192			
47	Holder	CNW1193			
48	Holder	CNW1194			
49	Damper	CNW1197			

# 12. ELECTRICAL PARTS LIST

**NOTE:**

- Parts whose parts numbers are omitted are subject to being not supplied.
- The part numbers shown below indicate chip components.

**Chip Resistor**

RS1/○S○○○○J,RS1/○○S○○○○J

**Chip Capacitor (except for CQS.....)**

CKS....., CCS....., CSZS.....

- The  $\triangle$  mark found on some component parts indicates the importance of the safety factor of the part. Therefore, when replacing, be sure to use parts of identical designation.
- Meaning of the figures and others in the parentheses in the parts list.

Example) IC 301 is on the point (face A, 91 of x-axis, and 111 of y-axis) of the corresponding PC board.

IC 301 (A, 91, 111) IC NJM2068V

- The expression of the unit in this manual is shown by u instead of  $\mu$ . Please do not make a mistake.

<u>Circuit Symbol and No.</u>	<u>Part No.</u>	<u>Circuit Symbol and No.</u>	<u>Part No.</u>
<b>A:DEH-X8600BH/XNUC</b>		IC 731 (A,72,89) Flash ROM Unit	PEB125A8
		IC 741 (A,84,53) IC	MX25L4006EM2I-12G
<b>B:DEH-X7600HD/XNUC</b>		IC 881 (A,54,93) IC	337S3959
		IC 901 (A,13,63) Regulator IC	BD9876EFJ
<b>Unit Number : QWM3776(A)</b>			
<b>Unit Number : QWM3775(B)</b>		IC 931 (A,27,57) Regulator IC	S-1172B33-E6
<b>Unit Name : Tuner Amp Assy</b>		IC 941 (A,140,42) IC	NJM2388F84
<b>Unit Number :</b>		Q 191 (A,115,107) Transistor	LSAR523UB
		Q 192 (A,116,105) Transistor	LTC014EEB
		Q 301 (A,11,130) Transistor	IMH23
<b>Unit Name : Keyboard Unit</b>		Q 302 (A,20,130) Transistor	IMH23
<b>Unit Number : CWX4023</b>		Q 303 (A,28,130) Transistor	IMH23
<b>Unit Name : CD Core Unit (S11.6STD)</b>		Q 351 (A,57,132) Transistor	LSCR523UB
		Q 352 (A,63,128) Chip Transistor	RN4983
		Q 353 (A,67,128) Transistor	LTC014EEB
		Q 701 (A,34,84) Transistor	LSAR523UB
		Q 771 (A,155,41) Transistor	KTD2092
		Q 772 (A,151,47) Chip Transistor	RN4983
<b>Unit Number : QWM3776(A)</b>		Q 831 (A,114,28) Transistor	2SA1577
<b>Unit Number : QWM3775(B)</b>		Q 832 (A,114,31) Transistor	LTC143EUB
<b>Unit Name : Tuner Amp Assy</b>		Q 841 (A,107,29) Transistor	LSAR523UB
		Q 842 (A,110,31) Transistor	LTC014EEB
		Q 881 (A,50,87) Transistor	LSAR523UB
		Q 921 (A,20,54) Transistor	2SD2153
		Q 922 (A,21,59) Chip Transistor	RN4983
		Q 951 (A,143,130) Chip Transistor	HN1C01FU
		Q 961 (A,93,121) Transistor	LTC014EEB
		D 182 (A,103,104) Diode	RB551VM-30
		D 201 (A,45,109) Diode	RB060M-30
		D 202 (B,59,119) Diode	RB056L-40
		D 351 (A,57,130) Diode	DA2J101
		D 352 (A,61,131) Diode	DZ2J082M0
		D 353 (A,63,131) Diode	DAN202UM
		D 401 (A,149,102) Diode	RN731VN
		D 402 (A,148,95) Diode	RN731VN
		D 541 (B,149,50) Diode	CRG03
		D 542 (B,142,50) Diode	CRG03
		D 564 (A,6,88) Diode	CRG03
		D 771 (A,154,45) Diode	DZ2J082M0
		D 801 (B,106,22) Diode	DZ2S068C
		D 802 (B,108,22) Diode	DZ2S068C
IC 151 (A,81,115) IC	PM9012A		
IC 181 (A,106,108) IC	NJW4132U2-A		
IC 201 (A,40,110) IC	AN33014UA		
IC 271 (A,27,48) Regulator IC(A)	S-1172B18-E6		
IC 281 (A,20,47) IC(A)	S-1200B33-M5		
IC 321 (A,81,142) IC	PA2032A		
IC 371 (A,62,88) IC	WM8761BGED		
IC 391 (A,138,60) Regulator IC	NJM2885DL1-05		
IC 401 (A,141,87) IC	TDA7706		
IC 531 (A,146,49) IC	S-1200B33-M5		
IC 541 (A,150,57) Regulator IC	S-1172B12-E6		
IC 601 (A,106,65) IC(A)	PEQ270A8		
	PEQ258A8		
IC 603 (A,127,46) IC	S-80827CNMC-B8M		
IC 651 (A,70,68) IC	R5S726B0D216FP		
IC 701 (A,43,70) RAM IC	M12L64164A-5TG2Y		
IC 721 (A,33,92) Regulator IC	S-1155B12-U5		

5		6		7		8	
<u>Circuit Symbol and No.</u>		<u>Part No.</u>		<u>Circuit Symbol and No.</u>		<u>Part No.</u>	
D 803	(B,110,22) Diode	DZ2S068C					
D 901	(A,12,68) Diode	RB056L-40		JA981	(A,116,141) Connector	CKM1613	
D 902	(B,8,72) Diode	1SR154-400					
D 903	(B,25,54) Diode	CRG03					
<b>RESISTORS</b>							
D 922	(B,20,56) Diode	DZ2J056M0		R 121	(A,46,129)	RS1/10SR102J	
D 923	(B,12,44) Diode	DA2J101		R 122	(A,44,129)	RS1/10SR102J	
D 941	(A,125,54) Diode	DAN202UM		R 151	(A,72,107)	RS1/16SS223J	
D 951	(A,134,126) Diode	DZ2J075M0		R 152	(A,86,107)	RS1/16SS223J	
D 952	(A,140,131) Diode	DZ2J068M0		R 153	(A,73,107)	RS1/16SS331J	
D 961	(B,104,125) Diode	CRG03		R 154	(A,73,124)	RS1/16SS102J	
D 981	(A,135,132) Diode	1SR154-400		R 155	(A,72,124)	RS1/16SS102J	
D 982	(A,135,128) Diode	1SR154-400		R 156	(A,73,123)	RS1/16SS102J	
D 991	(B,93,127) Diode	CRG03		R 182	(A,111,104)	RS1/16SS0R0J	
L 151	(A,92,115) Inductor	LCTAW6R8J2520		R 183	(A,110,104)	RS1/16SS4703D	
L 181	(A,99,110) Choke Coil 22 uH	CTH1561					
L 201	(A,154,125) Inductor	CTF1713		R 184	(A,108,104)	RS1/16SS1802D	
L 202	(A,50,106) Inductor	CTH1524		R 187	(A,95,113)	RS1/16SS0R0J	
L 251	(A,14,35) Inductor(A)	CTF1786		R 189	(A,106,104)	RS1/16SS1802D	
L 252	(A,14,33) Inductor(A)	CTF1786		R 190	(A,109,105)	RS1/16SS330J	
L 371	(A,58,96) Chip Ferrite Bead	DTL1107		R 194	(A,117,106)	RS1/16SS102J	
L 402	(A,142,97) Inductor	CTF1786		R 195	(A,117,108)	RS1/16SS103J	
L 403	(A,139,99) Inductor	CTF1786		R 196	(A,113,105)	RS1/10SR0R0J	
L 404	(A,149,98) Chip Coil	LCTAWR15J2520		R 202	(A,55,103)	RS1/10SR681J	
L 405	(A,146,99) Chip Coil	LCTAWR27J2520		R 203	(A,55,104)	RS1/10SR681J	
L 406	(A,140,101) Inductor	CTF1389		R 204	(A,47,113) 0.056 ohm	ACN7160	
L 409	(A,133,95) Inductor	LCTC1R5K1608		R 206	(A,40,103)	RS1/16SS4702D	
L 410	(A,151,92) Inductor	CTF1786		R 207	(A,37,103)	RS1/16SS224J	
L 411	(A,151,91) Inductor	CTF1786		R 208	(A,33,117)	RS1/16SS152J	
L 412	(A,128,87) Chip Coil	LCTAW470J2520		R 210	(A,34,116)	RS1/16SS3302D	
L 414	(A,132,78) Inductor	CTF1786		R 211	(A,34,114)	RS1/16SS8201D	
L 415	(A,146,78) Inductor	CTF1786		R 212	(A,35,116)	RS1/16SS223J	
L 651	(A,84,61) Chip Beads	VTL1127		R 251	(B,55,29) (A)	RS1/10SR221J	
L 653	(A,47,52) Chip Ferrite Bead	DTL1107		R 252	(B,55,32) (A)	RS1/10SR221J	
L 701	(A,31,78) Chip Ferrite Bead	DTL1107		R 253	(B,55,31) (A)	RS1/10SR221J	
L 731	(B,75,88) Inductor	CTF1389		R 254	(A,50,41) (A)	RS1/16SS102J	
L 901	(A,10,75) Inductor	CTH1521		R 255	(A,49,41) (A)	RS1/16SS102J	
L 981	(A,114,141) Choke Coil 600 uH	CTH1432		R 256	(A,16,36) (A)	RS1/16SS222J	
X 401	(A,152,85) Resonator 36.480 MHz	CSS1805		R 257	(B,48,43) (A)	RS1/10SR101J	
X 601	(A,93,66) Resonator 20.000 MHz	CSS1795		R 258	(B,46,43) (A)	RS1/10SR101J	
X 651	(A,85,66) Resonator 12.000 MHz	YSS5005		R 259	(B,44,43) (A)	RS1/10SR102J	
X 652	(A,77,84) Resonator 16.93 MHz	CSS1794		R 260	(A,16,32) (A)	RS1/16SS222J	
P 301	(A,36,128) Poly Switch	FSMD075-24R		R 264	(A,30,46) (A)	RS1/16SS0R0J	
P 401	(A,152,112) Surge Absorber	IMSA-6803-01Y900		R 301	(A,8,129)	RS1/16SS820J	
BZ601	(A,87,29) Buzzer	CPV1062		R 302	(A,14,129)	RS1/16SS820J	
VA801	(B,102,22) Varistor	EZJZ1V270RM		R 303	(A,17,129)	RS1/16SS820J	
VA802	(B,113,22) Varistor	EZJZ1V270RM		R 304	(A,22,129)	RS1/16SS820J	
VA803	(B,119,22) Varistor	EZJZ1V270RM		R 305	(A,25,129)	RS1/16SS820J	
VA804	(B,117,22) Varistor	EZJZ1V270RM		R 306	(A,31,129)	RS1/16SS820J	
VA805	(B,115,22) Varistor	EZJZ1V270RM		R 307	(A,8,130)	RS1/16SS223J	
VA806	(B,121,22) Varistor	EZJZ1V270RM		R 308	(A,14,130)	RS1/16SS223J	
VA807	(B,122,22) Varistor	EZJZ1V270RM		R 309	(A,16,130)	RS1/16SS223J	
VA808	(B,120,12) Varistor	EZJZ1V270RM		R 310	(A,23,130)	RS1/16SS223J	
U 501	(A,162,77) WWR C-BE Unit	CWE2364		R 311	(A,25,130)	RS1/16SS223J	
CN251	(A,48,34) Connector(A)	CKS6346		R 312	(A,31,130)	RS1/16SS223J	
CN751	(A,116,38) Connector	VKN1192		R 321	(A,78,124)	RS1/16SS362J	
CN802	(A,111,4) Connector	CKS6452		R 322	(A,79,124)	RS1/16SS362J	
JA 121	(A,45,138) Jack(B)	CKS6437		R 323	(A,82,124)	RS1/16SS362J	
JA 122	(A,45,141) Jack(A)	YKS5035		R 324	(A,83,124)	RS1/16SS362J	
JA201	(A,163,135) USB Jack	CKN1091		R 325	(A,77,125)	RS1/16SS562J	
JA301	(A,22,138) Pin Jack	XKB7001		R 326	(A,79,125)	RS1/16SS562J	
JA401	(A,157,116) ANT Pigtail Cable	YDH5001					

1

2

3

4

**Circuit Symbol and No.****Part No.****Circuit Symbol and No.****Part No.**

R 327	(A,82,125)	RS1/16SS562J	R 615	(A,96,66)	RS1/16SS101J
R 328	(A,84,125)	RS1/16SS562J	R 618	(B,106,52)	RS1/10SR472J
R 329	(B,75,132)	RS1/10SR562J	R 619	(A,112,76)	RS1/16SS103J
R 330	(B,70,131)	RS1/10SR103J	R 620	(B,106,64)	RS1/10SR104J
R 331	(B,72,132)	RS1/10SR103J	R 621	(A,104,54)	RS1/16SS104J
R 351	(A,64,126)	RS1/16SS473J	R 622	(B,93,50)	RS1/10SR104J
R 352	(A,62,134)	RS1/16SS473J	R 623	(B,95,50)	RS1/10SR104J
R 353	(B,56,131)	RS1/10SR473J	R 624	(B,108,77) (A)	RS1/10SR104J
R 354	(A,59,134)	RS1/16SS104J	R 628	(A,116,68)	RS1/16SS104J
R 355	(A,69,129)	RS1/16SS103J	R 631	(A,116,64)	RS1/16SS104J
R 356	(A,61,126)	RS1/16SS102J	R 636	(A,124,46)	RS1/16SS104J
R 357	(A,68,130)	RS1/16SS103J	R 638	(A,123,46)	RS1/16SS152J
R 358	(A,68,131)	RS1/16SS681J	R 642	(B,94,64)	RS1/10SR104J
R 360	(A,91,121)	RS1/16SS0R0J	R 643	(B,98,70)	RS1/10SR104J
R 371	(A,78,96)	RS1/16SS821J	R 647	(A,104,82)	RS1/16SS103J
R 372	(A,78,94)	RS1/16SS821J	R 657	(A,87,62)	RS1/16SS101J
R 401	(A,144,103)	RS1/16SS105J	R 660	(B,84,70)	RS1/10SR221J
R 402	(A,152,102)	RS1/16SS221J	R 661	(B,58,86)	RS1/10SR221J
R 403	(A,151,95)	RS1/16SS751J	R 662	(A,85,61)	RS1/16SS181J
R 404	(A,131,95)	RS1/16SS331J	R 663	(A,83,67)	RS1/16SS332J
R 405	(A,135,95)	RS1/16SS105J	R 664	(B,77,71)	RS1/10SR473J
R 406	(A,130,91)	RS1/16SS471J	R 666	(B,77,75) (A)	RS1/10SR473J
R 407	(A,131,90)	RS1/16SS330J	R 667	(B,81,74) (B)	RS1/10SR473J
R 408	(A,131,88)	RS1/16SS681J	R 669	(A,69,81)	RS1/16SS101J
R 410	(A,128,80)	RS1/4SA8R2J	R 670	(A,70,83)	RS1/16SS101J
R 411	(A,126,80)	RS1/4SA8R2J	R 671	(A,71,83)	RS1/16SS101J
R 413	(A,137,74)	RS1/16SS102J	R 672	(A,72,83)	RS1/16SS101J
R 414	(A,143,77)	RS1/16SS221J	R 673	(A,73,81)	RS1/16SS101J
R 416	(A,132,77)	RS1/16SS0R0J	R 674	(A,74,81)	RS1/16SS101J
R 417	(A,138,72)	RS1/16SS472J	R 675	(A,65,81)	RS1/16SS221J
R 418	(A,138,74)	RS1/16SS472J	R 676	(A,65,82)	RS1/16SS221J
R 420	(B,144,105)	RS1/8SQ0R0J	R 677	(A,67,81)	RS1/16SS221J
R 421	(B,152,100)	RS1/8SQ0R0J	R 678	(B,69,81)	RS1/10SR221J
R 422	(B,148,100)	RS1/8SQ0R0J	R 679	(A,76,81)	RS1/16SS332J
R 424	(A,129,98)	RS1/8SQ0R0J	R 680	(A,37,89)	RS1/16SS0R0J
R 425	(A,139,106)	RS1/8SQ0R0J	R 681	(A,84,81)	RAB4CQ473J
R 501	(A,144,76)	RS1/16SS101J	R 682	(A,83,69)	RS1/16SS153J
R 502	(A,150,76)	RS1/16SS101J	R 683	(A,83,70)	RS1/16SS153J
R 503	(A,147,74)	RS1/16SS101J	R 684	(A,88,71)	RS1/16SS153J
R 504	(A,144,74)	RS1/16SS101J	R 685	(A,88,72)	RS1/16SS153J
R 506	(A,157,93)	RS1/16SS101J	R 686	(A,83,72)	RS1/16SS473J
R 507	(A,157,91)	RS1/16SS101J	R 687	(A,83,73)	RS1/16SS473J
R 508	(A,157,89)	RS1/16SS101J	R 688	(A,86,76)	RS1/16SS473J
R 509	(A,157,87)	RS1/16SS101J	R 689	(A,85,77)	RS1/16SS473J
R 512	(A,156,68)	RS1/16SS101J	R 690	(B,58,72)	RS1/10SR473J
R 513	(A,156,67)	RS1/16SS101J	R 691	(B,84,63)	RS1/10SR0R0J
R 514	(A,156,66)	RS1/16SS101J	R 692	(B,67,80)	RS1/10SR473J
R 601	(A,94,33)	RS1/16SS102J	R 695	(B,77,67)	RS1/10SR473J
R 602	(B,102,71)	RS1/10SR154J	R 701	(B,43,76)	RS1/10SR473J
R 603	(A,98,56)	RS1/16SS222J	R 702	(A,43,79)	RS1/16SS472J
R 604	(A,95,65)	RS1/16SS105J	R 703	(A,41,79)	RAB4CQ220J
R 606	(B,94,62) (A)	RS1/10SR104J	R 704	(A,38,79)	RAB4CQ220J
R 607	(A,98,55)	RS1/16SS104J	R 705	(A,34,79)	RAB4CQ220J
R 608	(A,99,54)	RS1/16SS104J	R 707	(A,37,83)	RS1/16SS472J
R 609	(A,92,71)	RS1/16SS104J	R 708	(A,43,61)	RS1/16SS220J
R 610	(A,99,76)	RS1/16SS104J	R 710	(A,37,61)	RAB4CQ220J
R 611	(A,93,60)	RS1/16SS104J	R 711	(A,34,61)	RAB4CQ220J
R 612	(A,93,58)	RS1/16SS104J	R 731	(A,73,93)	RS1/16SS473J
R 613	(A,105,82)	RS1/16SS103J	R 732	(B,71,92)	RS1/10SR473J
R 614	(A,96,64)	RS1/16SS104J	R 733	(A,72,93)	RS1/16SS473J
			R 734	(A,78,90)	RS1/16SS473J

1

2

3

4

5  
**Circuit Symbol and No.**

6  
**Part No.**

7  
**Circuit Symbol and No.**

8  
**Part No.**

R 735	(A,78,87)	RS1/16SS473J
R 741	(A,82,56)	RS1/16SS101J
R 742	(A,74,49)	RS1/16SS101J
R 743	(A,78,53)	RS1/16SS101J
R 744	(A,78,54)	RS1/16SS101J
R 745	(A,85,57)	RS1/16SS473J
R 751	(B,110,33)	RS1/10SR472J
R 752	(B,106,34)	RS1/10SR473J
R 753	(B,113,33)	RS1/10SR472J
R 754	(A,116,41)	RS1/16SS104J
R 755	(B,115,33)	RS1/10SR472J
R 756	(A,104,39)	RS1/16SS221J
R 757	(A,104,40)	RS1/16SS221J
R 758	(A,104,38)	RS1/16SS101J
R 759	(A,110,41)	RS1/16SS221J
R 760	(A,104,37)	RS1/16SS101J
R 761	(A,115,41)	RS1/16SS102J
R 762	(A,117,34)	RS1/16SS151J
R 763	(A,119,41)	RS1/16SS151J
R 764	(A,119,34)	RS1/16SS151J
R 765	(A,123,41)	RS1/16SS221J
R 766	(A,122,41)	RS1/16SS104J
R 767	(B,105,37)	RS1/10SR104J
R 771	(B,143,41)	RS1/10SR473J
R 772	(B,143,43)	RS1/10SR103J
R 773	(B,155,45)	RS1/4SA391J
R 803	(A,107,22)	RS1/10SR101J
R 804	(A,109,22)	RS1/10SR101J
R 805	(A,105,22)	RS1/10SR222J
R 806	(A,111,22)	RS1/10SR222J
R 807	(A,117,22)	RS1/10SR222J
R 808	(A,116,22)	RS1/10SR222J
R 809	(A,115,22)	RS1/10SR222J
R 810	(A,119,22)	RS1/10SR222J
R 811	(A,120,22)	RS1/10SR222J
R 812	(B,94,20)	RS1/10SR102J
R 813	(B,94,22)	RS1/10SR104J
R 832	(B,109,26)	RS1/10SR473J
R 833	(B,116,29)	RS1/10SR332J
R 834	(A,117,28)	RS1/10SR103J
R 841	(A,105,29)	RS1/10SR472J
R 842	(B,107,30)	RS1/10SR102J
R 843	(B,105,30)	RS1/10SR103J
R 860	(A,70,38)	RS1/16SS473J
R 863	(B,65,44)	RS1/10SR473J
R 864	(B,60,45)	RS1/10SR0R0J
R 865	(B,71,44)	RS1/10SR473J
R 866	(B,60,36)	RS1/10SR473J
R 867	(B,62,36)	RS1/10SR473J
R 869	(B,62,45)	RS1/10SR473J
R 881	(A,47,87)	RS1/10SR103J
R 882	(A,55,96)	RS1/16SS473J
R 883	(A,54,96)	RS1/16SS222J
R 884	(A,53,90)	RS1/16SS222J
R 885	(A,54,89)	RS1/16SS272J
R 886	(A,53,85)	RS1/16SS472J
R 887	(A,53,96)	RS1/16SS101J
R 888	(A,53,89)	RS1/16SS101J
R 889	(A,56,89)	RS1/16SS472J
R 901	(B,26,72)	RS1/10SR102J

R 903	(A,9,62)	RS1/16SS513J
R 904	(A,7,62)	RS1/16SS103J
R 905	(A,7,64)	RS1/16SS103J
R 906	(A,6,63)	RS1/16SS183J
R 907	(A,6,61)	RS1/16SS0R0J
R 908	(A,6,60)	RS1/16SS473J
R 921	(B,21,58)	RS1/10SR223J
R 922	(B,21,60)	RS1/10SR332J
R 931	(A,31,52)	RS1/16SS473J
R 941	(B,130,43)	RS1/10SR473J
R 951	(A,142,133)	RS1/16SS103J
R 952	(A,141,128)	RS1/16SS104J
R 953	(A,142,134)	RS1/16SS473J
R 954	(A,142,130)	RS1/16SS473J
R 955	(B,120,128)	RS1/10SR682J
R 956	(A,119,129)	RS1/4SA102J
R 961	(B,99,126)	RS1/10SR103J
R 962	(A,114,129)	RS1/4SA102J
R 1001	(A,87,76)	RS1/16SS220J
R 1003	(A,90,77)	RS1/16SS220J

**CAPACITORS**

C 121	(B,55,148)	CKSRYB102K50
C 122	(B,37,129)	CKSRYB102K50
C 123	(B,39,132)	CKSRYB102K50
C 151	(A,74,113)	CKSRYB105K10
C 152	(A,87,112)	CKSRYB105K10
C 153	(A,74,112)	CKSRYB105K10
C 154	(B,92,105)	CKSRYB105K10
C 159	(A,74,110)	CKSRYB105K10
C 160	(A,87,109)	CKSRYB105K10
C 161	(A,74,109) 2.2 uF	CCG1205
C 163	(A,75,115)	CKSRYB105K10
C 164	(A,86,114)	CKSRYB105K10
C 165	(A,87,117) 10 uF	CCG1192
C 166	(A,89,115) 10 uF	CCG1192
C 168	(A,86,125)	CKSQYB225K16
C 170	(A,88,122)	CKSQYB225K16
C 181	(A,92,109)	CKSSYB104K16
C 184	(A,110,105)	CCSSCH150J50
C 186	(B,100,105) 10 uF	CCG1236
C 188	(A,112,109) 10 uF	CCG1236
C 190	(B,100,108) 10 uF	CCG1236
C 201	(A,46,118)	CKSSYB104K10
C 202	(A,51,112) 22 uF	CCG1254
C 204	(A,38,103)	CKSSYB102K50
C 205	(A,42,104)	CKSSYB104K16
C 206	(A,36,103)	CKSSYB472K25
C 207	(A,41,103)	CKSSYB104K16
C 208	(A,32,116)	CCSSCH151J50
C 209	(A,38,115) 1 uF	DCH1246
C 210	(A,37,116)	CKSSYB472K25
C 211	(A,43,117) 10 uF	DCH1165
C 212	(A,35,115)	CCSSCH270J50
C 213	(A,62,109)	CEVW101M16
C 214	(A,39,116)	CKSSYB104K16
C 215	(A,52,117) Capacitor	CEHVW101M6R3
C 216	(A,47,118)	CKSSYB102K50

	1	2	3	4
	<u>Circuit Symbol and No.</u>	<u>Part No.</u>	<u>Circuit Symbol and No.</u>	<u>Part No.</u>
	C 217 (B,66,112) 22 uF	CCG1254	C 420 (A,139,95)	CKSSYB103K16
	C 251 (A,36,48) Capacitor(A)	CEVW471M10	C 421 (A,144,95)	CKSSYB104K10
	C 253 (A,16,34) (A)	CKSRYB105K16	C 422 (A,146,97)	CKSSYB103K16
A	C 255 (B,40,32) 4.7 uF(A)	CCG1212	C 423 (A,143,97)	CKSRYB105K10
	C 256 (B,40,34) 4.7 uF(A)	CCG1212	C 424 (A,149,93)	CKSRYB224K16
	C 262 (B,49,34) (A)	CCSRCH270J50	C 426 (A,133,93)	CKSSYB103K16
	C 264 (B,55,34)	CKSRYB104K16	C 427 (A,148,90)	CKSSYB104K10
	C 272 (B,26,45) 4.7 uF(A)	CCG1212	C 428 (A,130,92) 10 uF	CCG1192
	C 273 (B,26,50) 4.7 uF(A)	CCG1212	C 429 (A,150,90)	CKSRYB105K10
	C 281 (B,22,45) 4.7 uF(A)	CCG1212	C 430 (A,131,91)	CKSSYB104K10
	C 284 (B,18,45) 4.7 uF(A)	CCG1212	C 431 (A,154,88)	CKSSYB472K25
	C 301 (A,9,127) 10 uF	CCG1192	C 432 (A,154,90)	CKSSYB472K25
	C 302 (A,13,127) 10 uF	CCG1192	C 433 (A,130,90)	CCSSCH101J50
	C 303 (A,17,127) 10 uF	CCG1192	C 434 (A,135,94)	CKSSYB104K10
B	C 304 (A,22,127) 10 uF	CCG1192	C 435 (A,128,90)	CKSSYB103K16
	C 305 (A,26,127) 10 uF	CCG1192	C 436 (A,152,87)	CCSSCH100D50
	C 306 (A,30,127) 10 uF	CCG1192	C 437 (A,149,87)	CKSSYB104K10
	C 307 (A,8,131)	CKSSYB103K16	C 438 (A,132,88)	CCSSCH820J50
	C 308 (A,14,131)	CKSSYB103K16	C 441 (A,130,82)	CKSRYB474K10
	C 309 (A,16,131)	CKSSYB103K16	C 443 (A,131,80)	CCSRCH471J50
	C 310 (A,23,131)	CKSSYB103K16	C 444 (A,152,82)	CCSSCH100D50
	C 311 (A,25,131)	CKSSYB103K16	C 445 (A,153,79)	CKSSYB104K10
	C 312 (A,31,131)	CKSSYB103K16	C 447 (A,150,79) 2.2 uF	CCG1205
	C 315 (B,33,142)	CKSRYB102K50	C 449 (A,148,82)	CKSSYB104K10
C	C 325 (B,77,132)	CKSRYB224K16	C 450 (A,145,80)	CKSSYB104K10
	C 326 (B,79,132)	CKSRYB224K16	C 451 (A,135,79)	CKSSYB102K50
	C 327 (B,82,132)	CKSRYB224K16	C 452 (A,144,80) 1 uF	DCH1246
	C 328 (B,84,132)	CKSRYB224K16	C 456 (A,152,113)	CCSSCJ3R0C50
	C 333 (A,62,136)	CKSRYB105K16	C 459 (A,128,84)	CCSSCH100D50
	C 335 (B,61,137)	CKSRYB102K50	C 461 (A,156,92)	CKSSYB104K10
	C 337 (B,63,141)	CKSRYB103K50	C 466 (B,139,92)	CCSRCK2R0C50
	C 338 (B,63,143) 10 uF	CCG1236	C 467 (A,148,110)	CCSSCK2R0C50
	C 339 (B,88,143)	CKSRYB104K16	C 474 (A,123,78) 10 uF	CCG1192
	C 340 (A,128,123) 3 300 uF/16 V	CCH1486	C 511 (B,154,74)	CCSRCH220J50
	C 344 (B,66,136)	CKSRYB103K50	C 512 (B,156,76)	CCSRCH220J50
D	C 351 (A,51,129) Capacitor	CEVW220M16	C 513 (A,157,70)	CCSSCH220J50
	C 352 (B,63,131) 2.2 uF	CCG1205	C 533 (A,149,52) 4.7 uF	CCG1212
	C 375 (A,67,90) 4.7 uF	CCG1212	C 534 (B,121,81) 10 uF	DCH1201
	C 376 (A,58,93)	CKSSYB103K16	C 535 (A,143,52)	CKSRYB102K50
	C 377 (A,59,95) 4.7 uF	CCG1212	C 537 (A,143,54) 10 uF	CCG1192
	C 378 (B,65,96)	CKSRYB104K16	C 541 (A,145,56) 4.7 uF	CCG1212
	C 379 (A,80,96)	CKSSYB182K50	C 542 (B,152,64) 4.7 uF	CCG1212
	C 380 (A,80,94)	CKSSYB182K50	C 601 (A,92,68)	CCSSCH100D50
	C 391 (A,142,57) 4.7 uF	CCG1212	C 602 (A,92,64)	CCSSCH120J50
	C 393 (A,132,55)	CKSQYB474K16	C 604 (A,92,70)	CKSSYB104K10
	C 401 (A,147,102)	CCSSCH330J50	C 605 (B,99,65)	CKSRYB105K10
E	C 402 (A,143,100)	CKSSYB103K16	C 608 (B,113,64)	CKSRYB105K10
	C 403 (A,148,100)	CCSSCH6R0D50	C 610 (A,103,50)	CKSRYB104K50
	C 404 (A,150,100)	CKSSYB103K16	C 612 (B,120,47)	CKSRYB105K10
	C 405 (A,141,97)	CKSSYB104K10	C 615 (B,97,65) 10 uF	DCH1201
	C 406 (A,137,96)	CKSSYB104K10	C 651 (B,68,58)	CKSRYB104K16
	C 410 (A,150,97)	CKSSYB103K16	C 652 (B,76,61)	CKSRYB104K16
	C 411 (A,139,97)	CKSSYB104K10	C 653 (B,85,56)	CKSRYB104K16
	C 412 (A,152,97)	CKSSYB103K16	C 654 (B,61,58)	CKSRYB104K16
	C 413 (A,137,97)	CKSSYB103K16	C 655 (B,67,62)	CKSRYB104K16
	C 414 (A,135,98) 10 uF	CCG1192	C 656 (B,72,62)	CKSRYB104K16
F	C 415 (A,134,98)	CCSSCK2R0C50	C 657 (B,78,57)	CKSRYB104K16
	C 416 (B,134,85)	CCSRCH101J50	C 659 (B,81,63)	CKSRYB104K16
	C 418 (A,140,97)	CCSSCK2R0C50	C 660 (B,85,60)	CCSRCK2R0C50
	C 419 (A,135,96)	CKSSYB223K16	C 661 (B,59,62)	CKSRYB104K16



1

**Circuit Symbol and No.**

CN1601 (B,109,9) Connector  
 CN1751 (B,114,29) Connector  
 JA1781 (A,160,16) Jack

2

**Part No.**

CKS6451  
 CKS6597  
 YKN5006

3

**Circuit Symbol and No.**

R 1783 (B,151,13)

4

**Part No.**

RS1/10SR0R0J

A

**RESISTORS**

R 1601 (B,92,7) RS1/10SR222J  
 R 1602 (B,92,8) RS1/10SR222J  
 R 1611 (B,58,22) RS1/16SS103J  
 R 1621 (A,127,17) RS1/10SR272J  
 R 1622 (A,127,15) RS1/10SR272J

R 1623 (A,127,14) RS1/10SR272J  
 R 1631 (B,60,15) RAB4CQ102J  
 R 1632 (A,136,10) RAB4CQ102J  
 R 1633 (B,55,20) RS1/16SS101J  
 R 1634 (B,55,19) RS1/16SS101J

R 1635 (B,27,9) RS1/16SS101J  
 R 1636 (B,57,14) RS1/16SS101J  
 R 1637 (B,14,22) RS1/16SS101J  
 R 1638 (B,14,23) RS1/16SS101J  
 R 1639 (A,141,18) RS1/16SS101J

R 1640 (A,140,20) RS1/16SS101J  
 R 1641 (A,138,24) RS1/16SS101J  
 R 1642 (B,13,11) RS1/10SR201J  
 R 1643 (B,13,13) RS1/10SR201J  
 R 1644 (B,13,27) RS1/10SR201J

C

R 1645 (B,13,26) RS1/10SR820J  
 R 1646 (B,53,18) RS1/10SR820J  
 R 1647 (B,54,18) RS1/10SR820J  
 R 1648 (B,136,24) RS1/10SR101J  
 R 1649 (B,136,22) RS1/10SR101J

R 1650 (B,135,27) RS1/10SR101J  
 R 1701 (B,73,17) RS1/16SS154J  
 R 1702 (B,68,21) RS1/16SS102J  
 R 1703 (B,68,20) RS1/16SS154J  
 R 1704 (A,85,19) RS1/16SS473J

D

R 1705 (B,70,23) RS1/16SS103J  
 R 1706 (B,68,26) RAB4CQ102J  
 R 1707 (A,76,21) RS1/16SS103J  
 R 1708 (A,75,24) RAB4CQ103J  
 R 1709 (A,68,24) RS1/16SS103J

R 1710 (A,85,21) RAB4CQ473J  
 R 1711 (B,85,31) RS1/16SS473J  
 R 1712 (B,87,31) RS1/16SS473J  
 R 1713 (A,123,27) RS1/16SS101J  
 R 1714 (A,87,27) RS1/16SS101J

E

R 1715 (B,96,28) RAB4CQ101J  
 R 1716 (A,86,15) RS1/16SS101J  
 R 1717 (A,111,13) RAB4CQ101J  
 R 1718 (A,108,14) RAB4CQ101J  
 R 1719 (B,95,20) RAB4CQ101J

R 1720 (B,96,17) RAB4CQ101J  
 R 1721 (A,89,15) RAB4CQ101J  
 R 1722 (A,97,14) RAB4CQ101J  
 R 1723 (A,90,21) RAB4CQ101J  
 R 1724 (A,89,26) RAB4CQ101J

F

R 1725 (B,80,10) RAB4CQ102J  
 R 1731 (A,72,10) RS1/16SS470J  
 R 1753 (B,123,23) RAB4CQ473J  
 R 1755 (A,116,28) RAB4CQ101J  
 R 1756 (B,124,25) RS1/16SS154J

**CAPACITORS**

C 1621 (A,129,19) CKSSYB103K16  
 C 1622 (A,129,20) CKSRYB105K10  
 C 1701 (B,102,17) 10 uF CCG1192  
 C 1703 (B,70,21) CKSSYB104K10  
 C 1704 (A,79,18) CKSSYB103K16

C 1705 (B,95,22) CKSSYB103K16  
 C 1706 (A,90,23) CKSSYB103K16  
 C 1731 (A,75,10) 10 uF CCG1192  
 C 1751 (B,108,23) CKSQYB334K50  
 C 1752 (B,111,20) 4.7 uF CCG1212

C 1753 (B,111,22) 4.7 uF CCG1212  
 C 1754 (B,114,20) 4.7 uF CCG1212  
 C 1755 (B,114,22) 4.7 uF CCG1212  
 C 1756 (B,116,18) 2.2 uF CCG1205  
 C 1760 (B,126,28) CKSSYB104K10

C 1781 (B,145,17) CKSRYB472K50  
 C 1782 (B,141,17) CKSRYB472K50  
 C 1783 (B,148,15) CKSRYB471K50

**C****Unit Number : CWX4023****Unit Name : CD Core Unit (S11.6STD)****MISCELLANEOUS**

IC 201 (B,23,37) IC PE5791A  
 IC 301 (A,37,11) IC BD8223EFV  
 Q 101 (B,11,53) Transistor 2SA1577  
 Q 102 (B,15,54) Transistor LTA123JUB  
 X 201 (B,25,49) Ceramic Resonator 16.934 MHz CSS1603

S 901 (A,42,53) Spring Switch(HOME) CSN1080  
 S 903 (B,21,12) Spring Switch(DSCSNS) CSN1081  
 CN101 (A,16,58) Connector CKS4808  
 CN701 (A,25,29) Connector CKS6146

**RESISTORS**

R 101 (B,6,57) RS1/10SR2R4J  
 R 102 (B,8,57) RS1/10SR2R4J  
 R 103 (B,9,57) RS1/10SR2R7J  
 R 108 (B,18,55) RS1/16SS105J

R 109 (B,12,50) RS1/16SS222J  
 R 214 (B,18,28) RS1/16SS103J  
 R 215 (B,17,28) RS1/16SS393J  
 R 216 (B,12,35) RS1/16SS122J

R 217 (B,10,32) RS1/16SS562J  
 R 218 (B,10,35) RS1/16SS472J  
 R 229 (B,12,34) RS1/16SS471J  
 R 232 (A,31,54) RS1/16SS0R0J  
 R 237 (B,33,45) RS1/16SS221J

R 240 (B,34,40) RS1/16SS473J  
 R 245 (A,34,46) RS1/16SS104J  
 R 254 (A,37,56) RS1/16SS104J  
 R 260 (B,30,27) RS1/16SS103J  
 R 264 (A,22,9) RS1/16SS102J

1

2

3

4

**Circuit Symbol and No.****Part No.**

R 281	(B,33,38)	RS1/16SS560J
R 282	(B,33,39)	RS1/16SS560J
R 291	(B,33,34)	RS1/16SS560J
R 294	(B,27,48)	RS1/16SS471J
R 303	(A,27,11)	RS1/16SS123J
R 304	(A,28,11)	RS1/16SS123J
R 305	(A,26,9)	RS1/16SS102J
R 306	(A,26,11)	RS1/16SS472J
R 307	(A,25,9)	RS1/16SS102J
R 308	(A,25,11)	RS1/16SS472J
R 309	(A,35,6)	RS1/16SS473J
R 310	(B,30,9)	RS1/16SS472J
R 311	(B,30,10)	RS1/16SS472J
R 312	(B,30,11)	RS1/16SS472J
R 313	(B,30,12)	RS1/16SS472J
R 701	(A,21,38)	RS1/16SS101J
R 702	(A,23,38)	RS1/16SS101J
R 706	(A,32,42)	RS1/16SS221J

**CAPACITORS**

C 104	(B,12,57)	CKSQYB475K6R3
C 203	(B,22,47)	CKSSYB104K10
C 209	(B,28,47)	CKSRYB104K16
C 210	(B,33,43)	CKSSYB104K10
C 211	(B,33,41)	CKSSYB104K10
C 212	(B,22,28)	CKSSYB104K10
C 213	(B,18,26)	CKSSYB332K50
C 214	(B,17,26)	CKSSYB473K16
C 215	(B,19,28)	CKSSYB104K10
C 216	(B,12,33)	CKSSYB182K50
C 217	(B,10,34)	CCSSCH560J50
C 218	(B,10,36)	CCSSCH4R0C50
C 219	(B,14,34)	CKSSYB104K10
C 220	(A,18,38)	CKSSYB104K10
C 221	(B,14,32)	CKSSYB104K10
C 222	(B,13,37)	CKSSYB104K10
C 223	(B,12,42)	CCSSCH680J50
C 224	(B,13,45)	CCSSCH470J50
C 225	(B,13,46)	CKSSYB103K16
C 228	(B,10,33)	CCSSCH270J50
C 229	(B,9,40)	CKSSYB104K10
C 233	(B,32,46)	CKSSYB103K16
C 236	(B,8,40)	CKSSYB104K10
C 238	(A,25,44)	CKSRYB104K16
C 299	(A,26,41)	CKSSYB104K10
C 302	(B,28,12)	CKSSYB102K50
C 303	(B,29,12)	CKSSYB102K50
C 304	(B,27,12)	CKSSYB223K16
C 305	(B,26,12)	CKSSYB104K10
C 306	(A,31,7)	CKSSYB104K10
C 307	(A,41,19)	CKSRYB105K10
C 308	(A,31,15)	CKSRYB105K10
C 710	(A,34,42)	CKSSYB102K50