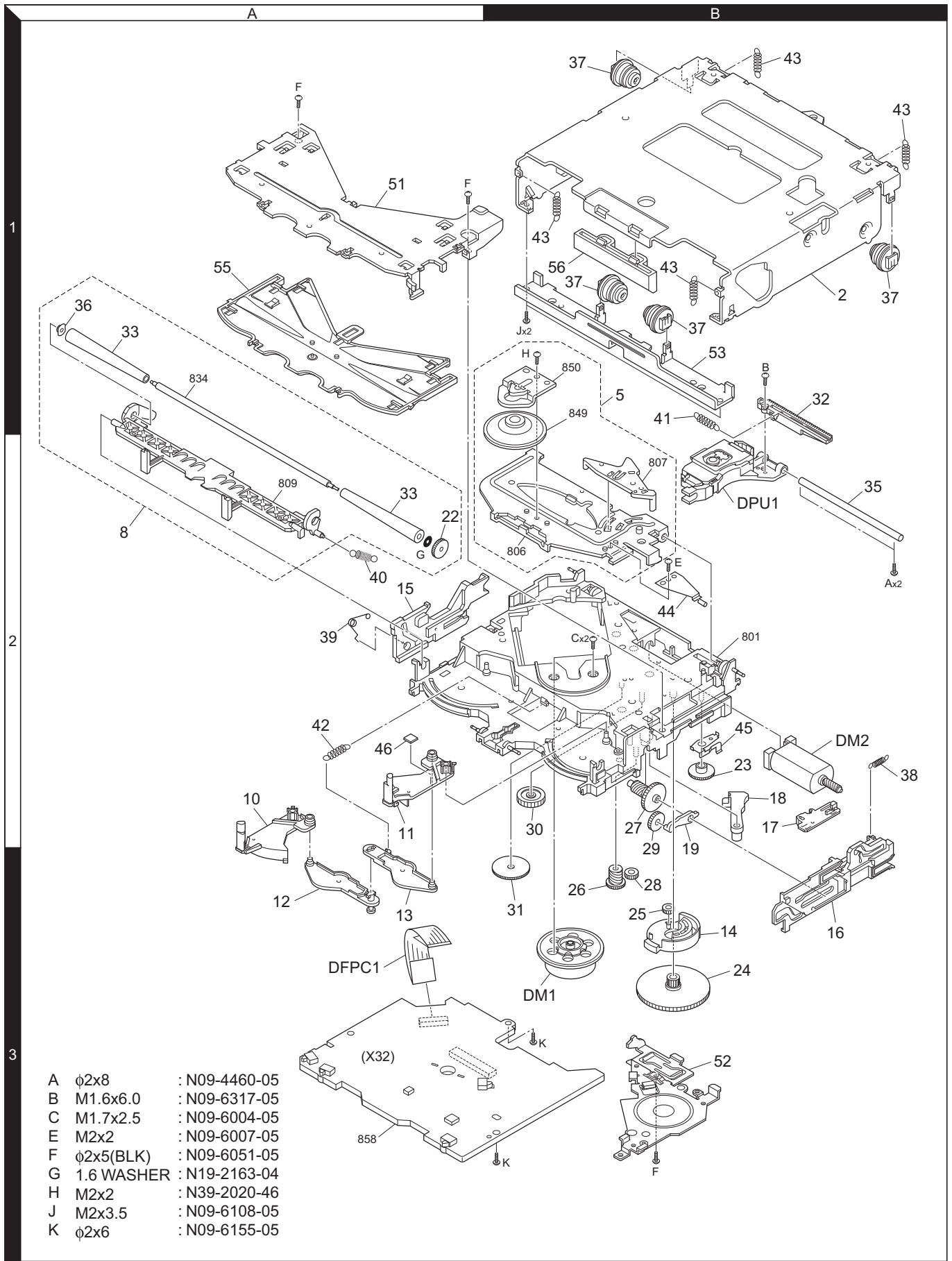
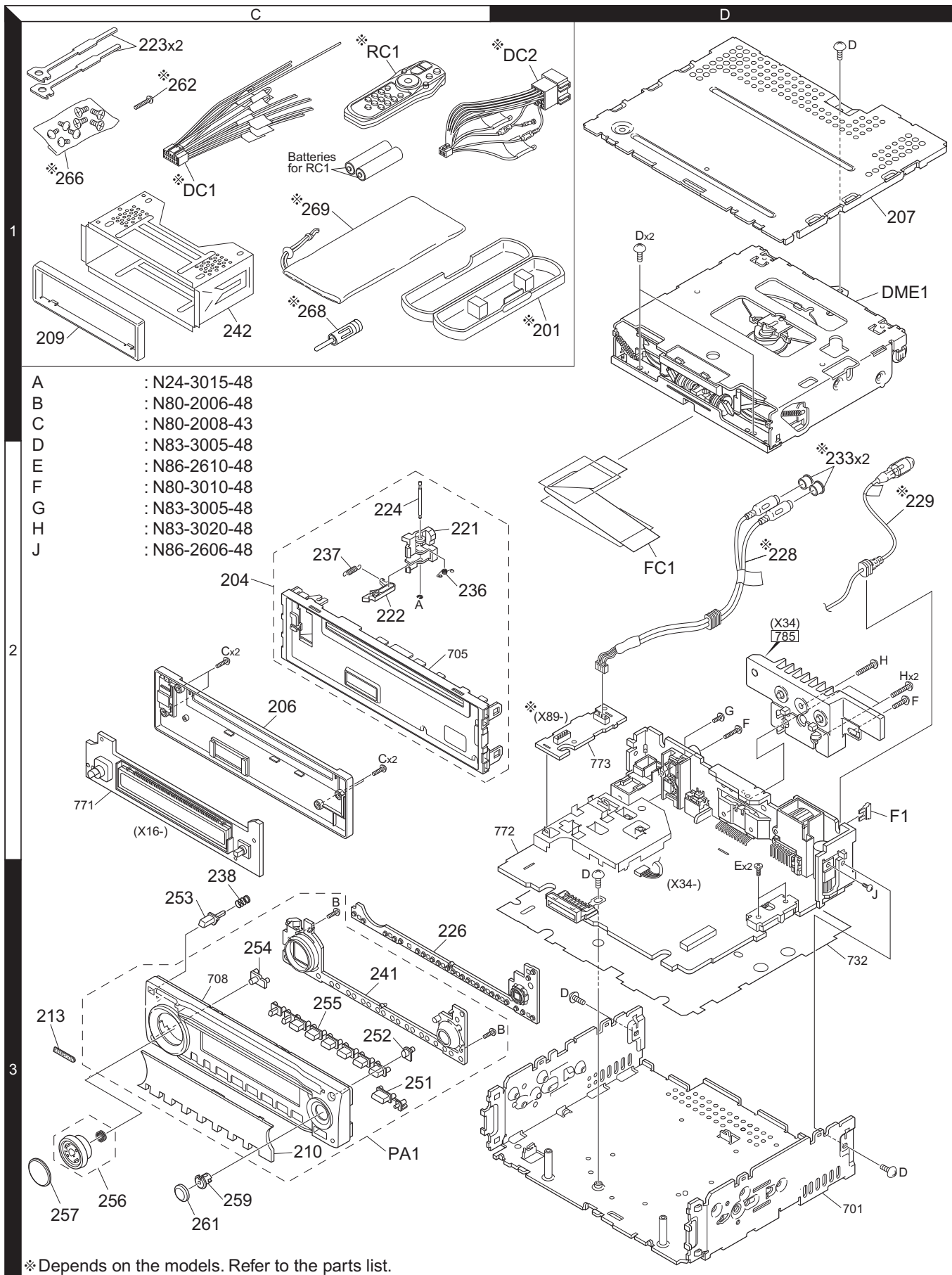


EXPLODED VIEW (MECHANISM)



Parts with the exploded numbers larger than 700 are not supplied.

EXPLODED VIEW (UNIT)



PARTS LIST

* New parts

Parts without **Parts No.** are not supplied.

Les articles non mentionnés dans le **Parts No.** ne sont pas fournis.

Teile ohne **Parts No.** werden nicht geliefert.

Ref. No.	A d d	N e w	Parts No.	Description	Desti- nation
KDC-MP2032/MP232/MP4033/W4534					
201	1D		A02-2736-03	PLASTIC CABINET ASSY	M1M2
204	2C		A22-2863-13	SUB PANEL ASSY	
206	2C		A46-1815-01	REAR COVER	
207	1D		A52-0804-12	TOP PLATE	
PA1	3C	*	A64-3788-02	PANEL ASSY	K
PA1	3C	*	A64-3789-02	PANEL ASSY	M1
PA1	3C	*	A64-3790-02	PANEL ASSY	M2
PA1	3C	*	A64-3791-02	PANEL ASSY	E1E2
PA1	3C	*	A64-3797-02	PANEL ASSY	K1
RC1	1C		A70-2069-15	REMOTE CONTROLLER ASSY (RC-517)	KK1M1
RC1	1C		A70-2069-15	REMOTE CONTROLLER ASSY (RC-517)	M2
-			B46-0612-14	ID CARD	M1M2E1
-			B46-0612-14	ID CARD	E2
-			B46-0681-04	ID CARD	KK1
-			B46-0682-00	WARRANTY CARD	KK1M1
-			B46-0682-00	WARRANTY CARD	M2E1
-			B58-1426-04	CAUTION CARD	KK1
-		*	B64-3290-00	INST. MANUAL (ENG,SPA)	KK1
-		*	B64-3291-00	INST. MANUAL (FRENCH)	KK1
-		*	B64-3292-00	INST. MANUAL (ENG,T-CHI)	M1M2
-		*	B64-3293-00	INST. MANUAL (ARABIC)	M1M2
-		*	B64-3294-00	INST. MANUAL (ENGLISH)	E1E2
-		*	B64-3295-00	INST. MANUAL (FRE,GER,DUT)	E1
-		*	B64-3296-00	INST. MANUAL (ITA,SPA,POR)	E1
-		*	B64-3297-00	INST. MANUAL (RUSSIAN)	E2
209	1C		B07-3122-01	ESCUTCHEON	KM1E1
209	1C		B07-3122-01	ESCUTCHEON	E2
209	1C		B07-3123-01	ESCUTCHEON	K1M2
210	3C	*	B10-4791-01	FRONT GLASS	E1E2
210	3C	*	B10-4795-01	FRONT GLASS	K
210	3C	*	B10-4796-01	FRONT GLASS	K1
210	3C	*	B10-4801-01	FRONT GLASS	M1M2
213	3C		B43-1518-04	BADGE	
221	2C		D10-4446-03	LEVER	
222	2C		D10-4447-03	LEVER	
223	1C		D10-4589-04	LEVER	
224	2C		D21-2329-04	SHAFT	
226	3C	*	E29-2070-02	CONDUCTIVE RUBBER	
228	2D		E30-6499-05	CORD WITH PINPLUG	K
229	2D		E30-6402-05	CORD WITH CONNECTOR	E1E2
△ DC1	1C		E30-6415-15	DC CORD	KK1M1
△ DC1	1C		E30-6415-15	DC CORD	M2
△ DC2	1D		E30-6427-05	DC CORD	E1E2
FC1	2D		E39-0718-05	FLAT CABLE	
233	2D		F29-0626-04	INSULATING COVER	K
△ F1	2D		F52-0023-05	FUSE (MINI BLADE TYPE) (10A)	
236	2C		G01-2987-04	TORSION COIL SPRING	
237	2C		G01-3096-04	EXTENSION SPRING	
238	3C		G01-3244-04	COMPRESSION SPRING	
-			H10-4919-12	POLYSTYRENE FOAMED FIXTURE	

Ref. No.	A d d	N e w	Parts No.	Description	Desti- nation
-			H25-0329-04	PROTECTION BAG (280X450X0.03)	KK1M1
-			H25-0329-04	PROTECTION BAG (280X450X0.03)	M2E2
-			H25-0337-04	PROTECTION BAG (180X300X0.03)	E1E2
-			H25-1111-04	PROTECTION BAG (280X450X0.03)	E1
-		*	H25-1236-14	PROTECTION BAG (0.03X180X500)	KK1M1
-		*	H25-1236-14	PROTECTION BAG (0.03X180X500)	M2
-		*	H54-3599-03	ITEM CARTON CASE (KDC-MP2032)	K
-		*	H54-3600-03	ITEM CARTON CASE (KDC-MP232)	K1
-		*	H54-3602-03	ITEM CARTON CASE (KDC-MP4033)	M1
-		*	H54-3603-03	ITEM CARTON CASE (KDC-MP4033S)	M2
-		*	H54-3605-03	ITEM CARTON CASE (KDC-W4534)	E1
-		*	H54-3606-03	ITEM CARTON CASE (KDC-W4534Y)	E2
241	3C	*	J19-7115-01	HOLDER	
242	1C		J21-9716-03	MOUNTING HARDWARE ASSY	
251	3C	*	K25-1788-03	PUSH KNOB (SRC)	
252	3C	*	K24-4457-04	PUSH KNOB (EJECT)	
253	3C	*	K24-4459-04	PUSH KNOB (RELEASE)	
254	3C	*	K24-4455-04	PUSH KNOB (ATT)	
255	3C	*	K25-1790-02	PUSH KNOB (PRESET)	
256	3C	*	K29-7200-03	KNOB ASSY (VOL)	
257	3C	*	K28-0103-03	KEY TOP (VOL)	
259	3C	*	K28-0102-03	KNOB BASE (FM/AM)	
261	3C	*	K28-0106-03	KEY TOP (FM/AM)	
262	1C		N84-4016-48	PAN HEAD TAPTITE SCREW	KK1M1
262	1C		N84-4016-48	PAN HEAD TAPTITE SCREW	M2
266	1C		N99-1757-05	SCREW SET	KK1M1
266	1C		N99-1757-05	SCREW SET	M2
A	2C		N24-3015-48	E TYPE RETAINING RING	
B	3C		N80-2006-48	PAN HEAD TAPTITE SCREW	
C	2C		N80-2008-43	PAN HEAD TAPTITE SCREW	
D	1D		N83-3005-48	PAN HEAD TAPTITE SCREW	
E	3D		N86-2610-48	BINDING HEAD TAPTITE SCREW	
268	1C		T90-0523-05	ANTENNA ADAPTOR	E1E2
269	1C		W01-1661-05	CARRYING CASE	KE1E2
DME1	1D	*	X92-5470-00	MECHANISM ASSY (DXM-6680W)	
SWITCH UNIT (X16-350x-xx)					
D31-33			B30-1567-05	LED (1608,RED)	KK1E1
D31-33			B30-1567-05	LED (1608,RED)	E2
D34-36			B30-1533-05	LED (1608,PG)	M1M2E1
D34-36			B30-1533-05	LED (1608,PG)	E2
D37-39			B30-1567-05	LED (1608,RED)	KK1E1
D37-39			B30-1567-05	LED (1608,RED)	E2
D40-42			B30-1533-05	LED (1608,PG)	M1M2E1
D40-42			B30-1533-05	LED (1608,PG)	E2
D43-45			B30-1567-05	LED (1608,RED)	KK1E1
D43-45			B30-1567-05	LED (1608,RED)	E2
D46-48			B30-1533-05	LED (1608,PG)	M1M2E1
D46-48			B30-1533-05	LED (1608,PG)	E2
D49-51			B30-1567-05	LED (1608,RED)	KK1E1
D49-51			B30-1567-05	LED (1608,RED)	E2
D52-54			B30-1533-05	LED (1608,PG)	M1M2E1

K : KDC-MP2032 K1 : KDC-MP232 M1 : KDC-MP4033
M2 : KDC-MP4033S E1 : KDC-W4534 E2 : KDC-W4534Y
(E : Europe K : North America M : Other Areas W : Without Europe)

△ Indicates safety critical components.

PARTS LIST

SWITCH UNIT (X16-350x-xx)

Ref. No.	Add	New	Parts No.	Description	Destination	Ref. No.	Add	New	Parts No.	Description	Destination
D52-54			B30-1533-05	LED (1608,PG)	E2	C7,8			CK73GB1H222K	CHIP C 2200PF	K
D61,62			B30-1729-05	LED (1608,BLUE)		C9			CK73GB1H104K	CHIP C 0.10UF	K
D70			B30-1567-05	LED (1608,RED)		C10			CK73FB0J106K	CHIP C 10UF	K
D97,98			B30-1729-05	LED (1608,BLUE)		C11			CK73GB1H103K	CHIP C 0.010UF	K
C10			CK73GB0J225K	CHIP C 2.2UF	K	C12			CK73GB1A105K	CHIP C 1.0UF	K
C11,12			CK73GB1H103K	CHIP C 0.010UF	K	C20			CC73GCH1H391J	CHIP C 390PF	J
C15			CC73GCH1H470J	CHIP C 47PF	J	C21			CK73GB1H472K	CHIP C 4700PF	K
C21			CK73FB1A225K	CHIP C 2.2UF	K	C22			CK73GB1H152K	CHIP C 1500PF	K
C21			CK73FB1A225K	CHIP C 2.2UF	K	C23			CC73GCH1H391J	CHIP C 390PF	J
C61,62			CK73GB1H103K	CHIP C 0.010UF	K	C24			CK73EB1A475K	CHIP C 4.7UF	K
C67,68			CK73GB1H103K	CHIP C 0.010UF	K	C25			CK73FB0J106K	CHIP C 10UF	K
J1			E59-0851-05	RECTANGULAR PLUG		C30			CK73GB1H104K	CHIP C 0.10UF	K
CP11			RK74HB1J103J	CHIP-COM 10K J 1/16W	E1E2	C31			CK73GB1A105K	CHIP C 1.0UF	K
R1,2			RK73GB2A222J	CHIP R 2.2K J 1/10W		C32			CK73GB1H104K	CHIP C 0.10UF	K
R11			RK73GB2A221J	CHIP R 220 J 1/10W		C34			CK73FB0J475K	CHIP C 4.7UF	K
R13-17			RK73GB2A221J	CHIP R 220 J 1/10W		C35			CK73GB1H104K	CHIP C 0.10UF	K
R18			RK73GB2A102J	CHIP R 1.0K J 1/10W		C38-40			CK73GB1H104K	CHIP C 0.10UF	K
R19			RK73GB2A221J	CHIP R 220 J 1/10W		C41			CK73GB0J225K	CHIP C 2.2UF	K
R21			RK73GB2A104J	CHIP R 100K J 1/10W	KK1M1	C42			CK73GB1A105K	CHIP C 1.0UF	K
R21			RK73GB2A104J	CHIP R 100K J 1/10W	M2	C43			C92-1792-05	ELECTRO 22UF	6.3WV
R22			RK73GB2A101J	CHIP R 100 J 1/10W	KK1M1	C50			CK73GB1H104K	CHIP C 0.10UF	K
R22			RK73GB2A101J	CHIP R 100 J 1/10W	M2	C51			CK73GB1H102K	CHIP C 1000PF	K
R23			RK73GB2A104J	CHIP R 100K J 1/10W	E1E2	C52			CK73GB0J225K	CHIP C 2.2UF	K
R31-34			RK73FB2B471J	CHIP R 470 J 1/8W		C53,54			CK73GB0J475K	CHIP C 4.7UF	K
R61			RK73EB2E301J	CHIP R 300 J 1/4W		C55			CK73FB0J106K	CHIP C 10UF	K
R62			RK73EB2E681J	CHIP R 680 J 1/4W		C56,57			CK73GB1H104K	CHIP C 0.10UF	K
R63			RK73EB2E471J	CHIP R 470 J 1/4W		C58			CK73FB0J475K	CHIP C 4.7UF	K
R70			RK73GB2A221J	CHIP R 220 J 1/10W		C60			CK73GB0J225K	CHIP C 2.2UF	K
R72			RK73GB2A472J	CHIP R 4.7K J 1/10W		C61			CK73GB1H104K	CHIP C 0.10UF	K
R74			RK73GB2A4R7J	CHIP R 4.7 J 1/10W		C62			CK73FB0J475K	CHIP C 4.7UF	K
R75			RK73GB2A203J	CHIP R 20K J 1/10W		C63			CK73GB0J225K	CHIP C 2.2UF	K
R78			RK73GB2A102J	CHIP R 1.0K J 1/10W		C64			CK73GB1H152K	CHIP C 1500PF	K
R80-82			RK73PB2H470J	CHIP R 47 J 1/2W		C65,66			CK73GB1H102K	CHIP C 1000PF	K
W1			R92-1252-05	CHIP R 0 OHM J 1/16W	M1M2	C67			CK73GB1H152K	CHIP C 1500PF	K
W2			R92-1252-05	CHIP R 0 OHM J 1/16W	KK1	C68			CK73GB1H103K	CHIP C 0.010UF	K
W3			R92-1252-05	CHIP R 0 OHM J 1/16W		C69			CK73GB1H332K	CHIP C 3300PF	K
S12			S70-0106-05	TACT SWITCH		C70			CK73GB1H682K	CHIP C 6800PF	K
S11			T99-0457-15	ROTARY ENCODER		C71			CK73GB1H104K	CHIP C 0.10UF	K
D71-77			UDZS5.6B	ZENER DIODE		C72			CK73GB1H103K	CHIP C 0.010UF	K
D78			DA204U	DIODE		C73			CC73GCH1H120J	CHIP C 12PF	J
D96			UDZS5.6B	ZENER DIODE	KK1M1	C74			CC73GCH1H060D	CHIP C 6.0PF	D
D96			UDZS5.6B	ZENER DIODE	M2	C75			CK73GB1H104K	CHIP C 0.10UF	K
ED1	2C	*	HNR-03SS09T	FLUORESCENT INDICATOR TUBE		C76			CC73GCH1H030C	CHIP C 3.0PF	C
IC1			LC75756W	MOS-IC		C77			CC73GCH1H020C	CHIP C 2.0PF	C
IC3		*	PNA4S22M02KW	ANALOGUE IC	KK1M1	C78			CK73GB0J225K	CHIP C 2.2UF	K
IC3		*	PNA4S22M02KW	ANALOGUE IC	M2	C79,80			CK73GB1H104K	CHIP C 0.10UF	K
Q1,2			2SC5383 (E,F)	TRANSISTOR	E1E2	C81,82			CC73GCH1H470J	CHIP C 47PF	J
Q21			RT1P141U	TRANSISTOR		C83			CK73GB1H103K	CHIP C 0.010UF	K
CD PLAYER UNIT (X32-5860-00)						C85			CK73FB0J106K	CHIP C 10UF	K
C1,2			CK73GB1A105K	CHIP C 1.0UF	K	C96			CK73GB0J475K	CHIP C 4.7UF	K
C3,4			CC73GCH1H681J	CHIP C 680PF	J	C100			CK73GB1C224K	CHIP C 0.22UF	K
C5,6			CC73GCH1H680J	CHIP C 68PF	J	C101			CK73GB1H103K	CHIP C 0.010UF	K
CN1			E41-2083-15	FLAT CABLE CONNECTOR		CN2			E41-2297-05	FLAT CABLE CONNECTOR	

K : KDC-MP2032 K1 : KDC-MP232 M1 : KDC-MP4033
M2 : KDC-MP4033S E1 : KDC-W4534 E2 : KDC-W4534Y

△ Indicates safety critical components.

PARTS LIST

CD PLAYER UNIT (X32-5860-00)

Ref. No.	Add	New	Parts No.	Description	Destination
X1			L78-0862-05	RESONATOR (16.00MHZ)	
X2			L78-0851-05	RESONATOR (16.93MHZ)	
CP1			RK74GA1J101J	CHIP-COM 100 J 1/16W	
CP2			RK74GA1J472J	CHIP-COM 4.7K J 1/16W	
CP4,5			RK74GA1J101J	CHIP-COM 100 J 1/16W	
CP6,7			RK74HB1J103J	CHIP-COM 10K J 1/16W	
CP8-11			RK74HB1J101J	CHIP-COM 100 J 1/16W	
CP12			RK74GA1J101J	CHIP-COM 100 J 1/16W	
CP13			RK74GA1J103J	CHIP-COM 10K J 1/16W	
CP27			RK74GB1J472J	CHIP-COM 4.7K J 1/16W	
CP28			RK74GB1J103J	CHIP-COM 10K J 1/16W	
R1,2			RK73GH2A103D	CHIP R 10K D 1/10W	
R3,4			RK73GB2A272J	CHIP R 2.7K J 1/10W	
R5,6			RK73GB2A752J	CHIP R 7.5K J 1/10W	
R7,8			RK73GB2A333J	CHIP R 33K J 1/10W	
R9,10			RK73GH2A103D	CHIP R 10K D 1/10W	
R11,12			RK73GB2A331J	CHIP R 330 J 1/10W	
R14-16			RK73GB2A2R2J	CHIP R 2.2 J 1/10W	
R20			RK73GB2A123J	CHIP R 12K J 1/10W	
R21			RK73GB2A133J	CHIP R 13K J 1/10W	
R22,23			RK73GB2A123J	CHIP R 12K J 1/10W	
R24			RK73GB2A432J	CHIP R 4.3K J 1/10W	
R25			RK73GB2A472J	CHIP R 4.7K J 1/10W	
R26			RK73GB2A183J	CHIP R 18K J 1/10W	
R27			RK73GB2A163J	CHIP R 16K J 1/10W	
R28			RK73GB2A133J	CHIP R 13K J 1/10W	
R29			RK73GB2A102J	CHIP R 1.0K J 1/10W	
R30			RK73GB2A101J	CHIP R 100 J 1/10W	
R31			RK73GB2A133J	CHIP R 13K J 1/10W	
R40-44			RK73GB2A103J	CHIP R 10K J 1/10W	
R48			RK73GB2A472J	CHIP R 4.7K J 1/10W	
R50-52			RK73GB2A103J	CHIP R 10K J 1/10W	
R55			RK73GB2A103J	CHIP R 10K J 1/10W	
R56			RK73GB2A101J	CHIP R 100 J 1/10W	
R57			RK73GB2A472J	CHIP R 4.7K J 1/10W	
R70			RK73GB2A102J	CHIP R 1.0K J 1/10W	
R71			RK73GB2A101J	CHIP R 100 J 1/10W	
R72			RK73GB2A333J	CHIP R 33K J 1/10W	
R74			RK73GB2A333J	CHIP R 33K J 1/10W	
R75			RK73GB2A750J	CHIP R 75 J 1/10W	
R78			RK73GB2A103J	CHIP R 10K J 1/10W	
R79			RK73GB2A333J	CHIP R 33K J 1/10W	
R80,81			RK73GB2A682J	CHIP R 6.8K J 1/10W	
R88			RK73GB2A472J	CHIP R 4.7K J 1/10W	
R89			RK73GB2A104J	CHIP R 100K J 1/10W	
R90			RK73GB2A4R7J	CHIP R 4.7 J 1/10W	
R91			RK73GB2A910J	CHIP R 91 J 1/10W	
R92			RK73GB2A225J	CHIP R 2.2M J 1/10W	
R93			RK73GB2A103J	CHIP R 10K J 1/10W	
R100			RK73GB2A470J	CHIP R 47 J 1/10W	
R101			RK73GB2A102J	CHIP R 1.0K J 1/10W	
R102			RK73GB2A272J	CHIP R 2.7K J 1/10W	
R103,104			RK73GB2A223J	CHIP R 22K J 1/10W	
R112,113			RK73GB2A100J	CHIP R 10 J 1/10W	

Ref. No.	Add	New	Parts No.	Description	Destination
R150			RK73GB2A103J	CHIP R 10K J 1/10W	
R151			RK73GB2A2R2J	CHIP R 2.2 J 1/10W	
R152			RK73EB2E3R3J	CHIP R 3.3 J 1/4W	
W1			R92-1252-05	CHIP R 0 OHM J 1/16W	
W20,21			R92-1252-05	CHIP R 0 OHM J 1/16W	
S1,2			S68-0863-05	PUSH SWITCH	
S3			S68-0862-05	PUSH SWITCH	
D1			DAP202U	DIODE	
IC1			TAR5S33-F	ANALOGUE IC	
IC2			NJM4580V-ZB	ANALOGUE IC	
IC3			BA5824FP	ANALOGUE IC	
IC4		*	703030BYGCJ21A	MICROCONTROLLER IC	
IC5			XC6219B332MR	ANALOGUE IC	
IC6			BA33BC0WFP	ANALOGUE IC	
IC7		*	UPD63763CGJ	MOS-IC	
IC11			TC7SET32FU-F	MOS-IC	
Q1			2SA1576A	TRANSISTOR	
Q4			2SB0970	TRANSISTOR	
Q5			DTA143XUA	DIGITAL TRANSISTOR	
Q6			DTC143XUA	DIGITAL TRANSISTOR	
Q7			DTA143XUA	DIGITAL TRANSISTOR	
Q8			DTC143XUA	DIGITAL TRANSISTOR	
ELECTRIC UNIT (X34-416x-xx)					
D401			B30-1567-05	LED (1608,RED)	
C1,2			CD04AT1HR47M	ELECTRO 0.47UF 50WV	
C3-6			C90-6735-05	NP-ELECT 0.22UF 50WV	
C51			C90-5683-05	ELECTRO 3300UF 16WV	
C52			CK73GB1H102K	CHIP C 1000PF K	
C55			CK73GB1H103K	CHIP C 0.010UF K	
C71			CD04AS1C220M	ELECTRO 22UF 16WV	
C72			CK73GB1H104K	CHIP C 0.10UF K	
C73			CK73GB1H104K	CHIP C 0.10UF K	M1M2
C74-77			CK73GB1H104K	CHIP C 0.10UF K	
C78			CD04AT1E101M	ELECTRO 100UF 25WV	
C79			CD04AS1C220M	ELECTRO 22UF 16WV	
C80			CD04AT1E101M	ELECTRO 100UF 25WV	
C81			CK73GB1H103K	CHIP C 0.010UF K	
C96			CD04AS1HR47M	ELECTRO 0.47UF 50WV	
C97			CD04BF1C220M	ELECTRO 22UF 16WV	
C112,113			CC73GCH1H100D	CHIP C 10PF D	E1E2
C116			CC73GCH1H331J	CHIP C 330PF J	E1E2
C117			CD04AS1V100M	ELECTRO 10UF 35WV	E1E2
C118			CK73GB1H103K	CHIP C 0.010UF K	E1E2
C119			CD04AS1V100M	ELECTRO 10UF 35WV	E1E2
C153			CK73GB1A105K	CHIP C 1.0UF K	
C201			CK73GB1H103K	CHIP C 0.010UF K	
C255			CD04AS1A330M	ELECTRO 33UF 10WV	KM1M2
C255			CD04AS1A330M	ELECTRO 33UF 10WV	E1E2
C255			CD04AS1V100M	ELECTRO 10UF 35WV	K1
C256			CD04AS1H010M	ELECTRO 1UF 50WV	
C257			C90-5663-05	ELECTRO 1UF 50WV	
C258			CD04AS1H010M	ELECTRO 1UF 50WV	
C301,302			CK73FB1E474K	CHIP C 0.47UF K	
C303			CD04AT1C470M	ELECTRO 47UF 16WV	

K : KDC-MP2032 K1 : KDC-MP232 M1 : KDC-MP4033
M2 : KDC-MP4033S E1 : KDC-W4534 E2 : KDC-W4534Y
(E : Europe K : North America M : Other Areas W : Without Europe)

△ Indicates safety critical components.

PARTS LIST

ELECTRIC UNIT (X34-416x-xx)

Ref. No.	A	N	Parts No.	Description	Desti- nation	Ref. No.	A	N	Parts No.	Description	Desti- nation
	d	e					d	e			
C331,332			CD04AT1C100M	ELECTRO 10UF 16WV	E1E2	C587			CK73GB1H104K	CHIP C 0.10UF K	E1E2
C333,334			CC73GCH1H681J	CHIP C 680PF J		C588			CK73GB1A474K	CHIP C 0.47UF K	
C407			CC73GCH1H220J	CHIP C 22PF J		C589			CK73GB1H104K	CHIP C 0.10UF K	
C408			CC73GCH1H180J	CHIP C 18PF J		C590			CK73GB1H392K	CHIP C 3900PF K	
C409			CD04AS0J101M	ELECTRO 100UF 6.3WV		C600			CD04AT1A101M	ELECTRO 100UF 10WV	
C410			CK73GB1H103K	CHIP C 0.010UF K	C601			CK73GB1H223K	CHIP C 0.022UF K		
C411			CK73GB1C224K	CHIP C 0.22UF K	C602			CC73GCH1H151J	CHIP C 150PF J		
C420			CC73GCH1H102J	CHIP C 1000PF J	C603			CC73GCH1H020C	CHIP C 2.0PF C		
C422			CC73GCH1H101J	CHIP C 100PF J	C604			CC73GCH1H470J	CHIP C 47PF J		
C502			CK73GB1H152K	CHIP C 1500PF K	C605,606			CC73GCH1H010C	CHIP C 1.0PF C		
C503			CK73GB1H104K	CHIP C 0.10UF K	C610			CC73GCH1H010C	CHIP C 1.0PF C		
C504			CK73GB1H103K	CHIP C 0.010UF K	C620			CK73GB1A105K	CHIP C 1.0UF K		
C505			CD04AT1V4R7M	ELECTRO 4.7UF 35WV	C623,624			CK73GB1H103K	CHIP C 0.010UF K		
C506			CK73GB1A684K	CHIP C 0.68UF K	C625-627			CC73GCH1H101J	CHIP C 100PF J		
C507,508			CD04AT1C220M	ELECTRO 22UF 16WV	C628			CK73GB1A105K	CHIP C 1.0UF K		
C509			CC73GCH1H680J	CHIP C 68PF J	CN2			E41-2244-05	FLAT CABLE CONNECTOR	E1E2	
C510			CC73GCH1H101J	CHIP C 100PF J	CN3			E41-0941-05	PIN ASSY		
C511			CK73GB1H222K	CHIP C 2200PF K	J1			E58-0991-05	RECTANGULAR RECEPTACLE		
C512			CD04AT1C100M	ELECTRO 10UF 16WV	J2			E56-0855-05	CYLINDRICAL RECEPTACLE		
C513,514			CK73GB1H103K	CHIP C 0.010UF K	J4			E04-0326-05	RF COAXIAL CABLE RECEPTACLE		
C515			CD04AT1H010M	ELECTRO 1UF 50WV	J5			E58-0992-05	RECTANGULAR RECEPTACLE	K	
C516			CC73GCH1H100D	CHIP C 10PF D	J6			E63-0898-05	PIN JACK		
C517,518			CK73GB1A105K	CHIP C 1.0UF K	WH1			E39-0717-05	WIRING HARNESS		
C519,520			CK73GB1A474K	CHIP C 0.47UF K	CF51-53			L72-0805-05	CERAMIC FILTER		
C521,522			CC73GCH1H102J	CHIP C 1000PF J	CF54			L72-0804-05	CERAMIC FILTER		
C524			CC73GCH1H180J	CHIP C 18PF J	L3			L33-1978-05	CHOKE COIL	E1E2	
C525			CC73GCH1H150J	CHIP C 15PF J	L4			L33-2260-05	CHOKE COIL		
C527			CC73GCH1H102J	CHIP C 1000PF J	L51			L33-1988-05	CHOKE COIL ASSY		
C531			CK73GB1A105K	CHIP C 1.0UF K	L61			L40-4795-91	SMALL FIXED INDUCTOR (4.7UH,J)		
C541			CC73GCH1H271J	CHIP C 270PF J	L101			L40-4795-91	SMALL FIXED INDUCTOR (4.7UH,J)		
C542			CC73GCH1H050C	CHIP C 5.0PF C	L301			L92-0337-05	CHIP FERRITE	E1E2	
C543			CC73GCH1H080D	CHIP C 8.0PF D	L501			L40-6891-58	SMALL FIXED INDUCTOR (6.8UH)		
C544			CC73GCH1H150J	CHIP C 15PF J	L502			L40-3301-58	SMALL FIXED INDUCTOR (33UH)		
C545			CK73GB1H682K	CHIP C 6800PF K	L503			L40-1021-56	SMALL FIXED INDUCTOR (1MH)		
C547			CD04AT1C220M	ELECTRO 22UF 16WV	L504			L40-1011-58	SMALL FIXED INDUCTOR (100UH)		
C548			CK73GB1H223K	CHIP C 0.022UF K	L505			L40-3381-58	SMALL FIXED INDUCTOR (0.33UH)	E1E2	
C549			CK73GB1H222K	CHIP C 2200PF K	L506			L31-0977-15	FM-RF COIL (RF)		
C550			CK73GB1H333K	CHIP C 0.033UF K	L507			L32-0941-15	FM OSCILLATING COIL (VCO)		
C551			CK73GB1H103K	CHIP C 0.010UF K	L508			L30-0776-15	FM IFT		
C552			CK73GB1H222K	CHIP C 2200PF K	L509			L30-0777-15	AM IFT		
C553			CK73GB1H104K	CHIP C 0.10UF K	L518			L31-0976-15	FM-RF COIL (ANT)	E1E2	
C554			CK73GB1A334K	CHIP C 0.33UF K	L520			L40-3381-58	SMALL FIXED INDUCTOR (0.33UH)		
C556			CK73GB1H103K	CHIP C 0.010UF K	L521			L40-1073-72	SMALL FIXED INDUCTOR (10NH)		
C559			CK73GB1H332K	CHIP C 3300PF K	L600			L92-0607-05	CHIP FERRITE		
C561			CK73GB1H104K	CHIP C 0.10UF K	L601,602			L92-0397-05	CHIP FERRITE		
C562			CD04AT1C100M	ELECTRO 10UF 16WV	L604,605			L92-0609-05	CHIP FERRITE	E1E2	
C563			CD04AT1HR47M	ELECTRO 0.47UF 50WV	X1			L78-0879-05	RESONATOR (10.0MHZ)		
C564			CK73GB1A474K	CHIP C 0.47UF K	X2			L77-2793-05	CRYSTAL RESONATOR (32.768KHZ)		
C565			CK73FB1C105K	CHIP C 1.0UF K	X3			L77-2002-05	CRYSTAL RESONATOR (4.332MHZ)		
C568			CC73GCH1H271J	CHIP C 270PF J	X501			L77-2077-05	CRYSTAL RESONATOR (10.25MHZ)		
C579			CK73GB1H103K	CHIP C 0.010UF K	F	2D		N80-3010-48	PAN HEAD TAPTITE SCREW	E1E2	
C581			CC73GCH1H101J	CHIP C 100PF J	G	2D		N83-3005-48	PAN HEAD TAPTITE SCREW		
C582			CK73GB1H223K	CHIP C 0.022UF K	H	2D		N83-3020-48	PAN HEAD TAPTITE SCREW		
C583			CK73GB1H683K	CHIP C 0.068UF K	J	2D		N86-2606-48	BINDING HEAD TAPTITE SCREW		
C584-586			CK73GB1A105K	CHIP C 1.0UF K							

K : KDC-MP2032 K1 : KDC-MP232 M1 : KDC-MP4033
M2 : KDC-MP4033S E1 : KDC-W4534 E2 : KDC-W4534Y

△ Indicates safety critical components.

PARTS LIST

ELECTRIC UNIT (X34-416x-xx)

Ref. No.	Add	New	Parts No.	Description	Destination	Ref. No.	Add	New	Parts No.	Description	Destination
R21			RD14BB2C821J	RD 820 J 1/6W		R255			RK73GB2A221J	CHIP R 220 J 1/10W	KM1M2
R51			RK73FB2B683J	CHIP R 68K J 1/8W		R255			RK73GB2A221J	CHIP R 220 J 1/10W	E1E2
R52			RK73GB2A393J	CHIP R 39K J 1/10W		R255			RK73GB2A331J	CHIP R 330 J 1/10W	K1
R53			RK73GB2A104J	CHIP R 100K J 1/10W		R256			RK73GB2A154J	CHIP R 150K J 1/10W	K1
R54			RK73FB2B203J	CHIP R 20K J 1/8W		R256			RK73GB2A223J	CHIP R 22K J 1/10W	KM1M2
R55,56			RK73GB2A103J	CHIP R 10K J 1/10W		R256			RK73GB2A223J	CHIP R 22K J 1/10W	E1E2
R57			RK73GB2A223J	CHIP R 22K J 1/10W		R257			RK73GB2A123J	CHIP R 12K J 1/10W	K1
R58			RD14DB2H332J	SMALL-RD 3.3K J 1/2W		R257			RK73GB2A393J	CHIP R 39K J 1/10W	KM1M2
R59			RD14BB2C333J	RD 33K J 1/6W		R257			RK73GB2A393J	CHIP R 39K J 1/10W	E1E2
R60			RK73GB2A103J	CHIP R 10K J 1/10W		R271			RK73GB2A101J	CHIP R 100 J 1/10W	
R61			RK73GB2A223J	CHIP R 22K J 1/10W		R272			RK73GB2A103J	CHIP R 10K J 1/10W	
R72			RD14BB2C472J	RD 4.7K J 1/6W		R273			RK73GB2A447J	CHIP R 470K J 1/10W	
R73			RD14BB2C472J	RD 4.7K J 1/6W	M1M2E1	R301,302			RK73EB2E100J	CHIP R 10 J 1/4W	
R73			RD14BB2C472J	RD 4.7K J 1/6W	E2	R303			RK73EB2E101J	CHIP R 100 J 1/4W	
R75-78			RK73GB2A103J	CHIP R 10K J 1/10W		R304,305			RK73EB2E472J	CHIP R 4.7K J 1/4W	
R81			RD14BB2C103J	RD 10K J 1/6W		R306			RK73EB2E4R7J	CHIP R 4.7 J 1/4W	
R82			RK73GB2A223J	CHIP R 22K J 1/10W		R307-309			RK73EB2E472J	CHIP R 4.7K J 1/4W	
R83			RK73GB2A473J	CHIP R 47K J 1/10W		R310,311			RK73EB2E101J	CHIP R 100 J 1/4W	
R85			RK73GB2A1R0J	CHIP R 1.0 J 1/10W		R312			RD14BB2C104J	RD 100K J 1/6W	
R86			RK73EB2E1R0J	CHIP R 1.0 J 1/4W		R313			RK73GB2A104J	CHIP R 100K J 1/10W	
R87,88			RK73GB2A1R0J	CHIP R 1.0 J 1/10W		R331,332			RK73GB2A271J	CHIP R 270 J 1/10W	
R89			RK73GB2A1R0J	CHIP R 1.0 J 1/10W	M1M2	R335,336			RK73GB2A303J	CHIP R 30K J 1/10W	
R90			RK73GB2A1R0J	CHIP R 1.0 J 1/10W		R338,339			RD14BB2C101J	RD 100 J 1/6W	
R96			RK73GH2A273D	CHIP R 27K D 1/10W		R351,352			RK73GB2A222J	CHIP R 2.2K J 1/10W	
R97			RK73GH2A332D	CHIP R 3.3K D 1/10W		R353			RK73GB2A102J	CHIP R 1.0K J 1/10W	
R98			RK73EB2E102J	CHIP R 1.0K J 1/4W		R355,356			RK73GB2A102J	CHIP R 1.0K J 1/10W	
R99			RK73GB2A104J	CHIP R 100K J 1/10W		R358			RK73GB2A222J	CHIP R 2.2K J 1/10W	
R100			RK73GB2A272J	CHIP R 2.7K J 1/10W		R359			RK73GB2A101J	CHIP R 100 J 1/10W	
R112-114			RK73GB2A222J	CHIP R 2.2K J 1/10W	E1E2	R360			RK73GB2A222J	CHIP R 2.2K J 1/10W	
R130,131			RK73EB2E4R7J	CHIP R 4.7 J 1/4W		R363			RD14BB2C472J	RD 4.7K J 1/6W	
R133			RK73EB2E4R7J	CHIP R 4.7 J 1/4W		R365			RK73GB2A472J	CHIP R 4.7K J 1/10W	
R135-140			RK73EB2E4R7J	CHIP R 4.7 J 1/4W		R366			RK73EB2E472J	CHIP R 4.7K J 1/4W	
R141			RK73EB2E2R2J	CHIP R 2.2 J 1/4W		R367			RK73GB2A104J	CHIP R 100K J 1/10W	
R151			RK73GB2A102J	CHIP R 1.0K J 1/10W		R368,369			RK73GB2A471J	CHIP R 470 J 1/10W	
R152			RK73EB2E100J	CHIP R 10 J 1/4W		R370,371			RK73GB2A472J	CHIP R 4.7K J 1/10W	
R153			RK73EB2E222J	CHIP R 2.2K J 1/4W		R411			RK73GB2A223J	CHIP R 22K J 1/10W	KK1M1
R156			RK73EB2E102J	CHIP R 1.0K J 1/4W		R411			RK73GB2A223J	CHIP R 22K J 1/10W	M2
R157-161			RK73EB2E222J	CHIP R 2.2K J 1/4W		R412			RK73GB2A223J	CHIP R 22K J 1/10W	E1E2
R162			RK73EB2E102J	CHIP R 1.0K J 1/4W		R413			RK73GB2A223J	CHIP R 22K J 1/10W	KK1E1
R163			RK73EB2E222J	CHIP R 2.2K J 1/4W		R413			RK73GB2A223J	CHIP R 22K J 1/10W	E2
R164			RK73EB2E102J	CHIP R 1.0K J 1/4W		R414			RK73GB2A223J	CHIP R 22K J 1/10W	M1M2
R172			RD14BB2C102J	RD 1.0K J 1/6W	KK1E1	R415			RK73GB2A223J	CHIP R 22K J 1/10W	
R172			RD14BB2C102J	RD 1.0K J 1/6W	E2	R417,418			RK73GB2A223J	CHIP R 22K J 1/10W	
R178			RK73EB2E471J	CHIP R 470 J 1/4W		R431			RK73GB2A223J	CHIP R 22K J 1/10W	E1E2
R180-182			RK73GB2A222J	CHIP R 2.2K J 1/10W		R432			RK73GB2A472J	CHIP R 4.7K J 1/10W	
R190			RK73GB2A104J	CHIP R 100K J 1/10W		R433			RK73GB2A222J	CHIP R 2.2K J 1/10W	
R191			RK73GB2A225J	CHIP R 2.2M J 1/10W		R435,436			RK73GB2A103J	CHIP R 10K J 1/10W	
R193,194			RK73GB2A474J	CHIP R 470K J 1/10W		R437,438			RK73GB2A102J	CHIP R 1.0K J 1/10W	
R199			RK73GB2A241J	CHIP R 240 J 1/10W		R439			RK73GB2A222J	CHIP R 2.2K J 1/10W	
R251			RK73GB2A154J	CHIP R 150K J 1/10W	K1	R440,441			RK73GB2A473J	CHIP R 47K J 1/10W	
R251			RK73GB2A333J	CHIP R 33K J 1/10W	KM1M2	R450-452			RK73GB2A471J	CHIP R 470 J 1/10W	KK1
R251			RK73GB2A333J	CHIP R 33K J 1/10W	E1E2	R453			RK73GB2A473J	CHIP R 47K J 1/10W	
R252			RK73GB2A473J	CHIP R 47K J 1/10W		R454			RK73GB2A472J	CHIP R 4.7K J 1/10W	
R253			RK73GB2A432J	CHIP R 4.3K J 1/10W		R456			RK73GB2A104J	CHIP R 100K J 1/10W	
R254			RK73GB2A100J	CHIP R 10 J 1/10W		R457			RK73GB2A103J	CHIP R 10K J 1/10W	

K : KDC-MP2032 K1 : KDC-MP232 M1 : KDC-MP4033
M2 : KDC-MP4033S E1 : KDC-W4534 E2 : KDC-W4534Y
(E : Europe K : North America M : Other Areas W : Without Europe)

△ Indicates safety critical components.

PARTS LIST

ELECTRIC UNIT (X34-416x-xx)

Ref. No.	Add	New	Parts No.	Description	Destination	Ref. No.	Add	New	Parts No.	Description	Destination
R470			RK73GB2A222J	CHIP R 2.2K J 1/10W	E1E2	W92			R92-1252-05	CHIP R 0 OHM J 1/16W	E1E2
R471			RK73GB2A103J	CHIP R 10K J 1/10W	KK1M1	W93			R92-2053-05	CHIP R 0 OHM J 1/8W	
R471			RK73GB2A103J	CHIP R 10K J 1/10W	M2	W94			R92-2053-05	CHIP R 0 OHM J 1/8W	
R480			RK73GB2A104J	CHIP R 100K J 1/10W		W96-98			R92-1252-05	CHIP R 0 OHM J 1/16W	
R501			RK73GB2A682J	CHIP R 6.8K J 1/10W		W99			R92-2053-05	CHIP R 0 OHM J 1/8W	
R502,503			RK73GB2A222J	CHIP R 2.2K J 1/10W		W102			R92-2053-05	CHIP R 0 OHM J 1/8W	KM1M2 E1E2
R504			RK73GB2A4R7J	CHIP R 4.7 J 1/10W		W252			R92-1252-05	CHIP R 0 OHM J 1/16W	
R505			RK73GB2A102J	CHIP R 1.0K J 1/10W		W252			R92-1252-05	CHIP R 0 OHM J 1/16W	
R506			RK73GB2A105J	CHIP R 1.0M J 1/10W		W506			R92-2053-05	CHIP R 0 OHM J 1/8W	
R507			RK73GB2A102J	CHIP R 1.0K J 1/10W		W604,605			R92-1252-05	CHIP R 0 OHM J 1/16W	
R520			RK73GB2A221J	CHIP R 220 J 1/10W		W611			R92-1252-05	CHIP R 0 OHM J 1/16W	KM1M2 E1E2
R521			RK73GB2A152J	CHIP R 1.5K J 1/10W		W802			R92-1252-05	CHIP R 0 OHM J 1/16W	
R522			RK73GB2A223J	CHIP R 22K J 1/10W		W803			R92-2053-05	CHIP R 0 OHM J 1/8W	
R523			RK73GB2A100J	CHIP R 10 J 1/10W		W804,805			R92-1252-05	CHIP R 0 OHM J 1/16W	
R543			RK73GB2A562J	CHIP R 5.6K J 1/10W		W807			R92-1252-05	CHIP R 0 OHM J 1/16W	
R544			RD14BB2C222J	RD 2.2K J 1/6W		W808			R92-2053-05	CHIP R 0 OHM J 1/8W	KM1M2 E1E2
R545			RK73GB2A333J	CHIP R 33K J 1/10W		W812			R92-2053-05	CHIP R 0 OHM J 1/8W	
R546			RK73GB2A432J	CHIP R 4.3K J 1/10W		W814			R92-2053-05	CHIP R 0 OHM J 1/8W	
R561			RK73GB2A472J	CHIP R 4.7K J 1/10W		W820			R92-2053-05	CHIP R 0 OHM J 1/8W	
R565			RK73GB2A394J	CHIP R 390K J 1/10W		W826			R92-2053-05	CHIP R 0 OHM J 1/8W	
R566,567			RK73GB2A102J	CHIP R 1.0K J 1/10W		W831			R92-1252-05	CHIP R 0 OHM J 1/16W	KM1M2 E1E2
R589			RK73GB2A473J	CHIP R 47K J 1/10W		W832			R92-2053-05	CHIP R 0 OHM J 1/8W	
R590			RK73GB2A103J	CHIP R 10K J 1/10W		W840			R92-1252-05	CHIP R 0 OHM J 1/16W	
R591			RK73GB2A513J	CHIP R 51K J 1/10W		W841,842			R92-2053-05	CHIP R 0 OHM J 1/8W	
R592			RK73GB2A223J	CHIP R 22K J 1/10W		D3			IMSA-6801-E	SURGE ABSORBER	
R594			RK73EB2E100J	CHIP R 10 J 1/4W		D52			MTZJ6.8B	ZENER DIODE	M1M2E1 E2
R596-598			RD14BB2C100J	RD 10 J 1/6W		D53			02DZ6.8F-Y	ZENER DIODE	
R599			RK73GB2A220J	CHIP R 22 J 1/10W		D54			MTZJ6.8B	ZENER DIODE	
R600			RD14BB2C2R2J	RD 2.2 J 1/6W		D55			1SS355	DIODE	
R601			RD14BB2C1R0J	RD 1.0 J 1/6W		D57			S2V60*A	DIODE	
R602			RK73GB2A122J	CHIP R 1.2K J 1/10W		D71			MTZJ8.2B	ZENER DIODE	M1M2E1 E2
R603			RK73GB2A560J	CHIP R 56 J 1/10W		D72			1SR154-400	DIODE	
R605,606			RK73GB2A100J	CHIP R 10 J 1/10W		D73	*		1SR139-400T64	DIODE	
W51			R92-1252-05	CHIP R 0 OHM J 1/16W	E1E2	D73	*		1SR139-400T64	DIODE	
W53			R92-1252-05	CHIP R 0 OHM J 1/16W		D74			1SR154-400	DIODE	
W57			R92-2053-05	CHIP R 0 OHM J 1/8W	E1E2	D75			1SR154-400	DIODE	M1M2E1 E2
W58-60			R92-1252-05	CHIP R 0 OHM J 1/16W		D75			1SR154-400	DIODE	
W61-63			R92-2053-05	CHIP R 0 OHM J 1/8W		D76	*		BAV70W	DIODE	
W64			R92-1252-05	CHIP R 0 OHM J 1/16W		D77	*		1SR139-400T64	DIODE	
W65,66			R92-2053-05	CHIP R 0 OHM J 1/8W		D81			02DZ4.7F-Y	ZENER DIODE	
W67,68			R92-1252-05	CHIP R 0 OHM J 1/16W	E1E2	D162			MTZJ6.2B	ZENER DIODE	KM1M2 E1E2
W69,70			R92-1252-05	CHIP R 0 OHM J 1/16W							
W71			R92-1252-05	CHIP R 0 OHM J 1/16W							
W72			R92-2053-05	CHIP R 0 OHM J 1/8W							
W73			R92-1252-05	CHIP R 0 OHM J 1/16W							
W75			R92-2053-05	CHIP R 0 OHM J 1/8W		D259			1SS133	DIODE	KM1M2 E1E2
W76			R92-1252-05	CHIP R 0 OHM J 1/16W							
W78			R92-2053-05	CHIP R 0 OHM J 1/8W							
W79,80			R92-1252-05	CHIP R 0 OHM J 1/16W							
W81,82			R92-2053-05	CHIP R 0 OHM J 1/8W							
W85			R92-2053-05	CHIP R 0 OHM J 1/8W		D260			1SS133	DIODE	KM1M2 E1E2
W86			R92-1252-05	CHIP R 0 OHM J 1/16W							
W87			R92-2053-05	CHIP R 0 OHM J 1/8W							
W88,89			R92-1252-05	CHIP R 0 OHM J 1/16W							
W90,91			R92-2053-05	CHIP R 0 OHM J 1/8W							
						D260			1SS133	DIODE	KM1M2 E1E2
						D261			1SS355	DIODE	
						D301-304			MTZJ6.2B	ZENER DIODE	
						D305,306			MTZJ6.8B	ZENER DIODE	
						D403	*		BAV70W	DIODE	
						D501			RN739F	DIODE	KM1M2 E1E2
						D502,503			KP2311ETR-G	DIODE	
						D504			KV1430STL-G	VARIABLE CAPACITANCE DIODE	

K : KDC-MP2032 K1 : KDC-MP232 M1 : KDC-MP4033
M2 : KDC-MP4033S E1 : KDC-W4534 E2 : KDC-W4534Y

△ Indicates safety critical components.

PARTS LIST

ELECTRIC UNIT (X34-416x-xx)

Ref. No.	Add	New	Parts No.	Description	Destination
D506			HVC383B-E	VARIABLE CAPACITANCE DIODE	
IC1		*	784225GC302A	MICROCONTROLLER IC	
IC3			BD4912-V4	ANALOGUE IC	
IC4			E-TDA7560A	ANALOGUE IC	KM1M2
IC4			E-TDA7560A	ANALOGUE IC	E1E2
IC4			TB2904HQ	ANALOGUE IC	K1
IC6			TC7W02FU-F	MOS-IC	
IC7			E-TDA7479AD	ANALOGUE IC	E1E2
IC8			S-80836CNNB-J	MOS-IC	
IC10			E-TDA7516A	ANALOGUE IC	
IC11			BR24L04FV-W	ROM IC	
IC15			BA00CCWT	ANALOGUE IC	
Q51-53			2SC4155A (Q,R,S)	TRANSISTOR	
Q71			UMC2N	TRANSISTOR	
Q72			2SD2396 (J,K)	TRANSISTOR	
Q74			UMC2N	TRANSISTOR	M1M2E1
Q74			UMC2N	TRANSISTOR	E2
Q151			RT1P144M	TRANSISTOR	
Q155			2SC4155A (Q,R,S)	TRANSISTOR	
Q252			2SA1603A	TRANSISTOR	
Q330			RT1P241M	TRANSISTOR	
Q351,352			RT1N430M	TRANSISTOR	
Q501			HN3G01J (BL)-F	TRANSISTOR	
TH1			PRF21BE471QB2	POSITIVE RESISTOR	
DAUGHTER UNIT (X89-2690-10)					
C221,222			CD04AS1C100M	ELECTRO 10UF 16WV	K
CN90			E41-0956-05	PIN ASSY	K
CN91			E41-0930-05	PIN ASSY	K
R221,222			RK73GB2A271J	CHIP R 270 J 1/10W	K
R225,226			RK73GB2A303J	CHIP R 30K J 1/10W	K
R229,230			RD14BB2C101J	RD 100 J 1/6W	K
Q221,222			DTC143TUA	DIGITAL TRANSISTOR	K
Q225			DTA124EUA	DIGITAL TRANSISTOR	K
MECHANISM ASSY (X92-5470-00)					
2	1B		A10-4827-32	CHASSIS	
5	1B		D10-4576-83	ARM ASSY	
8	2A		D10-4579-23	LEVER ASSY	
10	2A		D10-4581-13	ARM	
11	2A		D10-4582-13	ARM	
12	3A		D10-4583-03	ARM	
13	3A		D10-4584-03	ARM	
14	3B		D10-4585-03	ARM	
15	2A		D10-4586-13	SLIDER	
16	3B		D10-4587-52	SLIDER	
17	2B		D10-4588-13	SLIDER	
18	2B		D10-4595-04	ARM	
19	2B		D10-4596-24	ARM	
22	2A		D13-2151-04	GEAR	
23	2B		D13-2152-04	GEAR	
24	3B		D13-2153-04	GEAR	
25	3B		D13-2154-04	GEAR	
26	3B		D13-2155-04	WORM	

Ref. No.	Add	New	Parts No.	Description	Destination
27	2B		D13-2156-14	GEAR	
28	3B		D13-2157-04	GEAR	
29	2B		D13-2158-04	GEAR	
30	2B		D13-2168-04	GEAR	
31	3B		D13-2171-04	GEAR	
32	1B		D13-2381-13	RACK (GEAR)	
33	2A		D14-0759-04	ROLLER	
35	2B		D21-2382-04	SHAFT	
36	1A		D23-0954-04	RETAINER	
37	1B		D39-0246-05	DAMPER	
38	2B		G01-3072-04	EXTENSION SPRING	
39	2A		G01-3073-04	TORSION COIL SPRING	
40	2A		G01-3074-04	EXTENSION SPRING	
41	1B		G01-3075-24	EXTENSION SPRING	
42	2A		G01-3076-04	EXTENSION SPRING	
43	1B		G01-3077-14	EXTENSION SPRING	
44	2B		G02-1399-04	FLAT SPRING	
45	2B		G02-1408-04	FLAT SPRING	
46	2A		G13-1258-04	CUSHION	
51	1A		J21-9676-32	MOUNTING HARDWARE	
52	3B		J21-9677-22	MOUNTING HARDWARE	
53	1B		J21-9678-13	MOUNTING HARDWARE	
55	1A		J90-1001-11	GUIDE	
56	1B		J90-1023-03	GUIDE	
DFPC1	3A		J84-0141-05	FLEXIBLE PRINTED WIRING BOARD	
A	2B		N09-4460-05	TAPTITE SCREW (OVAL P TAPTIT)	
B	1B		N09-6317-05	TAPTITE SCREW (M1.6X6.0)	
C	2B		N09-6004-05	MACHINE SCREW (M1.7X2.5)	
E	2B		N09-6007-05	MACHINE SCREW (PAN M2X2)	
F	1A		N09-6051-05	TAPTITE SCREW (BIND P 2X5)	
G	2A		N19-2163-04	FLAT WASHER	
H	1B		N39-2020-46	PAN HEAD MACHINE SCREW	
J	1B		N09-6108-05	MACHINE SCREW (M2X3.5)	
K	3B		N09-6155-05	SEMS (TAPTITE SCREW) (PT2X6)	
DM1	3B		T42-1066-14	DC MOTOR (SPINDLE)	
DM2	2B		T42-1067-14	DC MOTOR (LOADING)	
DPU1	2B		X93-2130-00	OPTICAL PICKUP ASSY	

K : KDC-MP2032 K1 : KDC-MP232 M1 : KDC-MP4033
M2 : KDC-MP4033S E1 : KDC-W4534 E2 : KDC-W4534Y
(E : Europe K : North America M : Other Areas W : Without Europe)

△ Indicates safety critical components.