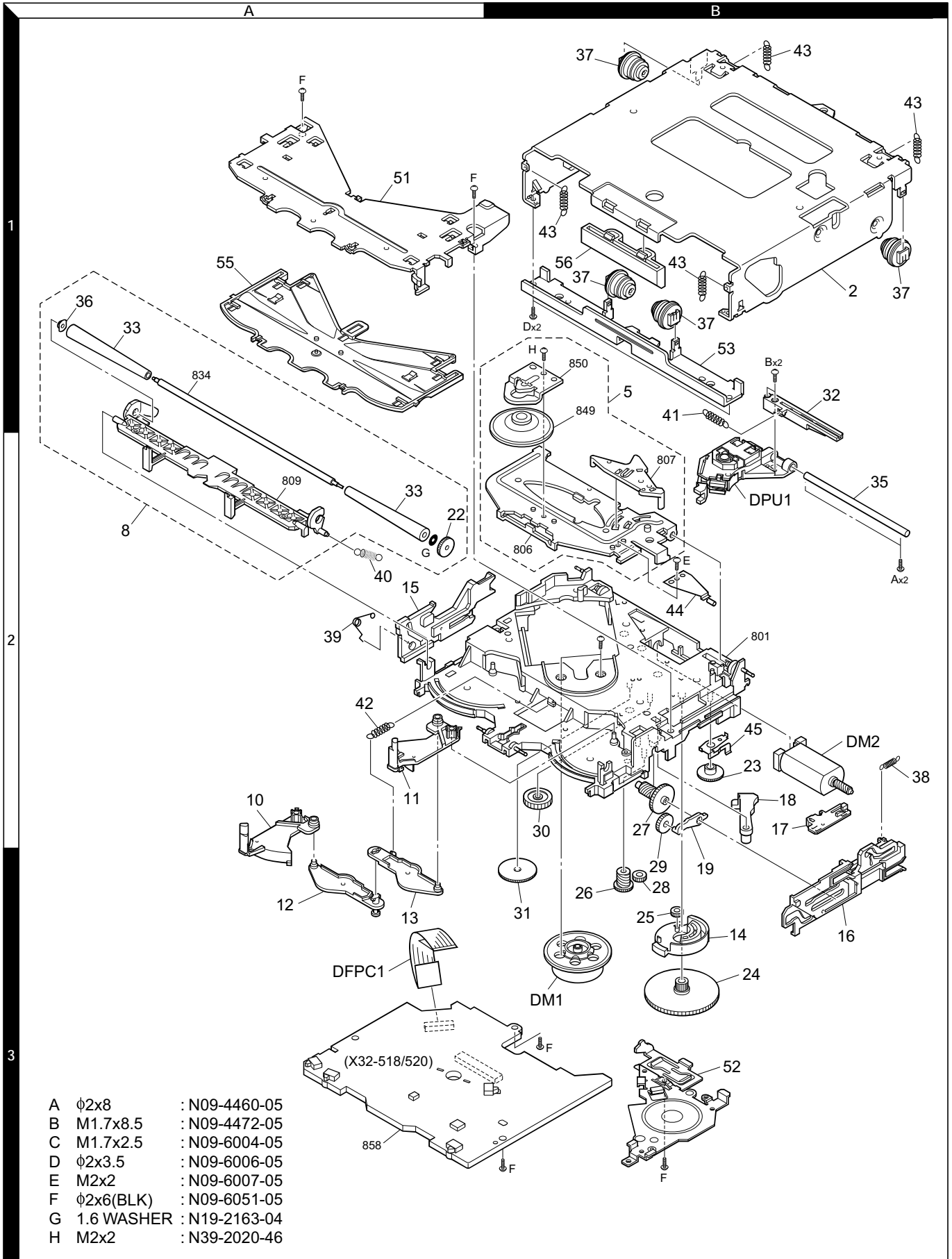


EXPLODED VIEW

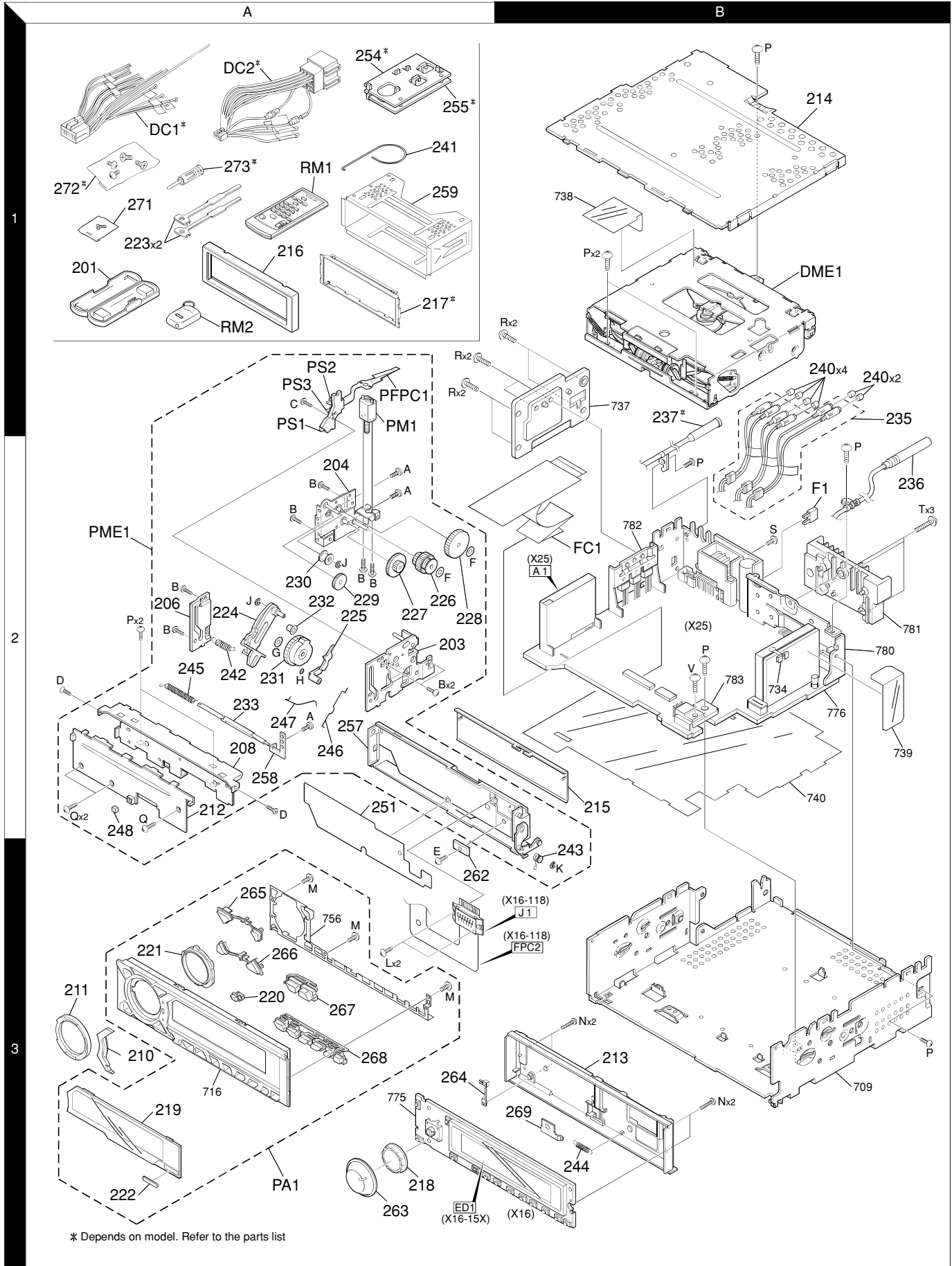


A	φ2x8	: N09-4460-05
B	M1.7x8.5	: N09-4472-05
C	M1.7x2.5	: N09-6004-05
D	φ2x3.5	: N09-6006-05
E	M2x2	: N09-6007-05
F	φ2x6(BLK)	: N09-6051-05
G	1.6 WASHER	: N19-2163-04
H	M2x2	: N39-2020-46

Parts with the exploded numbers larger than 700 are not supplied.

KDC-9020R/MP919/PSW9521/X759

EXPLODED VIEW



Parts with exploded numbers larger than 700 are not supplied.

KDC-9020R/MP919/PSW9521/X759

PARTS LIST

* New Parts

Parts without **Parts No.** are not supplied.

Les articles non mentionnés dans le **Parts No.** ne sont pas fournis.

Teile ohne **Parts No.** werden nicht geliefert.

Ref.No.	A d d	N e w	Parts No.	Description	Dest inati on	Ref.No.	A d d	N e w	Parts No.	Description	Dest inati on
KDC-9020R/MP919/PSW9521/X759						233	2A		D14-0760-03	ROLLER	
201	1A		A02-1497-13	PLASTIC CABINET ASSY		235	1B	*	E30-6054-05	CORD WITH PINPLUG (3PRE)	K1M1
203	2A		A10-4807-13	CHASSIS CALKING ASSY		235	1B	*	E30-6058-05	CORD WITH PINPLUG (3PRE)	K2
204	2A		A10-4810-13	CHASSIS CALKING ASSY		235	1B	*	E30-6100-05	CORD WITH PINPLUG (3PRE)	E
206	2A		A10-4893-04	CHASSIS CALKING ASSY		236	1B	*	E30-6056-05	CORD WITH PLUG (ANT)	
208	2A		A10-4924-02	CHASSIS		237	2B	*	E30-6057-05	CORD WITH DIN CONNECTOR (DISP)	E
210	3A	*	A21-4169-03	DRESSING PANEL		△ DC1	1A		E30-4939-05	DC CORD	K1
211	3A	*	A21-4170-03	DRESSING PANEL		△ DC1	1A		E30-4940-05	DC CORD	K2
212	2A		A22-2865-03	SUB PANEL ASSY		△ DC2	1A		E30-4942-05	DC CORD (ISO)	M1
213	3B	*	A46-1752-01	REAR COVER		△ DC2	1A		E30-4956-05	DC CORD (ISO)	E
214	1B		A52-0805-02	TOP PLATE		FC1	2B	*	E39-0437-05	FLAT CABLE	
PA1	3A	*	A64-2568-02	PANEL ASSY	K1	240	2B		F29-0049-05	INSULATING COVER	
PA1	3A	*	A64-2569-02	PANEL ASSY	K2	△ F1	2B		F52-0006-05	FUSE(MINI BLADE TYPE)10A	
PA1	3A	*	A64-2570-02	PANEL ASSY	M1						
PA1	3A	*	A64-2586-02	PANEL ASSY	E	241	1A		G01-2924-04	TORSION COIL SPRING	
PME1	2A		A10-4921-02	CHASSIS ASSY		242	2A		G01-3065-04	EXTENSION SPRING	
RM1	1A		A70-2025-05	REMOTE CONTROLLER ASSY(RC-410)	K1K2	243	2B		G01-3066-14	TORSION COIL SPRING	
RM1	1A		A70-2026-05	REMOTE CONTROLLER ASSY(RC-420)	M1E	244	3B		G01-3069-04	EXTENSION SPRING	
RM2	1A		A70-0886-15	REMOTE CONTROLLER ASSY(MASK)	E	245	2A		G01-3080-04	TORSION COIL SPRING	
215	2B		B03-3073-12	DRESSING PLATE		246	2A		G09-2038-04	FORMED WIRE	
216	1A		B07-3007-03	ESCUTCHEON ASSY		247	2A		G09-2042-04	FORMED WIRE	
217	1C		B07-3010-02	ESCUTCHEON	K1K2M1	248	2A		G11-1927-04	CUSHION	
218	3A	*	B09-0527-03	CAP (VOL)		251	2A		G16-1177-04	SHEET	
219	3A	*	B10-4149-01	FRONT GLASS	K1	-			H10-4762-12	POLYSTYRENE FOAMED FIXTURE	E
219	3A	*	B10-4150-01	FRONT GLASS	K2	-			H10-4764-12	POLYSTYRENE FOAMED FIXTURE	K1K2M1
219	3A	*	B10-4151-01	FRONT GLASS	M1	-			H25-0329-04	PROTECTION BAG (280X450X0.03)	K1K2M1
219	3A	*	B10-4164-01	FRONT GLASS	E	-			H25-0337-04	PROTECTION BAG (180X300X0.03)	
220	3A	*	B10-4152-04	FRONT GLASS		-			H25-1108-04	PROTECTION BAG (100X300X0.03)	
221	3A	*	B19-2133-03	LIGHTING BOARD		-			H25-1111-04	PROTECTION BAG (280X450X0.03)	E
222	3A		B43-1284-04	BADGE		-		*	H54-2329-03	ITEM CARTON CASE	M1
-			B46-0100-50	WARRANTY CARD		-		*	H54-2335-03	ITEM CARTON CASE	E
-			B46-0606-04	ID CARD	K1K2	-		*	H54-2342-13	ITEM CARTON CASE	K1
-			B46-0612-14	ID CARD	M1	-		*	H54-2343-03	ITEM CARTON CASE	K2
-			B46-0632-04	ID CARD	E						
-			B46-0645-03	USER CARD	K1K2	254	1A		J19-5051-03	BRACKET (L)	K1K2M1
-		*	B46-0648-03	USER CARD	K1	255	1A		J19-5052-03	BRACKET (R)	K1K2M1
-			B58-1309-04	CAUTION CARD	E	257	2A		J21-9651-13	MOUNTING HARDWARE ASSY	
-		*	B64-2215-00	INSTRUCTION MANUAL (ENGLISH)	K1K2	258	2A		J21-9699-04	MOUNTING HARDWARE	
-		*	B64-2216-00	INSTRUCTION MANUAL (FRE.SPA.)	K1K2	259	1A		J21-9716-03	MOUNTING HARDWARE ASSY	
-		*	B64-2217-00	INSTRUCTION MANUAL (ENG.T-CHI)	M1	262	3B		J90-0999-04	GUIDE	
-		*	B64-2218-00	INSTRUCTION MANUAL (ENGLISH)	E	PFPC1	1A		J84-0122-04	FLEXIBLE PRINTED WIRING BOARD	
-		*	B64-2219-00	INSTRUCTION MANUAL (FRE.GER.)	E	263	3A	*	K23-1062-03	KNOB (VOL)	
-		*	B64-2220-00	INSTRUCTION MANUAL (DUT.ITA.)	E	264	3A		K24-3646-04	KNOB (RESET)	
-		*	B64-2221-00	INSTRUCTION MANUAL (SPA.POR.)	E	265	3A	*	K25-1400-03	KNOB (FM/AM)	
223	1A		D10-4562-04	LEVER		266	3A	*	K25-1401-03	KNOB (UP/DOWN)	
224	2A		D10-4563-04	ARM ASSY		267	3A	*	K25-1402-03	KNOB (SRC)	
225	2A		D10-4590-04	ARM		268	3A	*	K25-1403-03	KNOB (PRESET)	
226	2A		D13-2135-04	GEAR ASSY		269	3B		K29-7017-03	KNOB (LOCK)	
227	2A		D13-2138-04	GEAR		271	1A		N99-1704-05	SCREW SET	
228	2A		D13-2139-04	GEAR		272	1A		N99-1722-05	SCREW SET	K1K2M1
229	2A		D13-2140-04	GEAR		A	2A		N09-4400-05	MACHINE SCREW	
230	2A		D13-2141-14	GEAR ASSY		B	2A		N09-4401-05	MACHINE SCREW	
231	2A		D13-2165-03	GEAR ASSY		C	1A		N09-4427-05	TAPTITE SCREW	
232	2A		D14-0754-04	ROLLER		D	2A		N09-4448-05	MACHINE SCREW	

E : KDC-PSW9521

M1 : KDC-9020R

K1 : KDC-X759

K2 : KDC-MP919

E: Europe K: North America M: Other Areas

W: Without Europe

△ indicates safety critical components.

PARTS LIST

* New Parts

Parts without **Parts No.** are not supplied.

Les articles non mentionnés dans le **Parts No.** ne sont pas fournis.

Teile ohne **Parts No.** werden nicht geliefert.

Ref.No.	A d d	N e w	Parts No.	Description	Dest inati on	Ref.No.	A d d	N e w	Parts No.	Description	Dest inati on
E	3A		N09-4449-05	MACHINE SCREW		L5			L92-0332-05	CHIP FERRITE	
F	2A		N19-2154-04	FLAT WASHER		L6			L40-1005-34	SMALL FIXED INDUCTOR	
G	2A		N19-2155-04	FLAT WASHER		L6			L40-1005-68	SMALL FIXED INDUCTOR	
H	2A		N19-2156-04	FLAT WASHER		X1			L78-0821-05	RESONATOR	
J	2A		N29-0522-05	RETAINING RING		CP1			R90-0720-05	MULTI-COMP 100K X4	
K	3B		N29-0523-05	RETAINING RING		CP2			R90-1014-05	MULTI-COMP 100 X4	
L	3A		N38-2025-46	PAN HEAD MACHIN SCREW		CP3			R90-0724-05	MULTI-COMP 1K X4	
M	3A		N80-2005-46	PAN HEAD TAPTITE SCREW		CP4			R90-1022-05	MULTI-COMP 470 X2	
N	3B		N09-4473-05	MACHINE SCREW		CP5			R90-1019-05	MULTI-COMP 100 X2	
P	1B		N83-3005-46	PAN HEAD TAPTITE SCREW		CP6			R90-1020-05	MULTI-COMP 22K X2	
Q	2A		N86-2004-45	BINDING HEAD TAPTITE SCREW		CP7 ,8			R90-0726-05	MULTI-COMP 10K X2	
R	1A		N83-3008-46	PAN HEAD TAPTITE SCREW		CP9			R90-0724-05	MULTI-COMP 1K X4	
PS1 -3	1A		S68-0856-05	PUSH SWITCH		CP10			R90-1014-05	MULTI-COMP 100 X4	
273	1A		T90-0523-05	ANTENNA ADAPTOR	M1E	CP11			R90-0748-05	MULTI-COMP 47K X4	
273	1A		T90-0534-05	ANTENNA ADAPTOR	M1E	CP12,13			R90-1014-05	MULTI-COMP 100 X4	
PM1	1A		T42-1034-04	MOTOR ASSY		CP14			R90-0748-05	MULTI-COMP 47K X4	
DME1	1B		X92-4450-00	CD MECHANISM ASSY (DXM-6110W)	K1	CP15			R90-1014-05	MULTI-COMP 100 X4	
DME1	1B		X92-4460-00	CD MECHANISM ASSY (DXM-6400W)	K2	CP16,17			R90-0748-05	MULTI-COMP 47K X4	
DME1	1B	*	X92-4470-00	CD MECHANISM ASSY (DXM-6500W)	M1	CP18			R90-1014-05	MULTI-COMP 100 X4	
DME1	1B	*	X92-4470-01	CD MECHANISM ASSY (DXM-6501W)	E	R1			R92-2072-05	CHIP R 1.5K J 1/2W	
SUB-CIRCUIT UNIT (X16-118x-xx)						R2			R92-2565-05	CHIP R 1.2K J 1/2W	
J1	3B		E58-0903-05	RECTANGULAR RECEPTACLE		R3			RK73GB2A153J	CHIP R 15K J 1/10W	
FPC2	3B	*	J84-0121-12	FLEXIBLE PRINTED WIRING BOARD		R4 ,5	*		RK73GB2A274J	CHIP R 270K J 1/10W	
SWITCH UNIT (X16-15xx-xx)						R6			RK73GB2A103J	CHIP R 10K J 1/10W	
D5 -7			B30-1564-05	LED(1608,BLUE)		R8			RK73GB2A104J	CHIP R 100K J 1/10W	
C2			CK73GB0J105K	CHIP C 1.0UF K		R9			RK73GB2A153J	CHIP R 15K J 1/10W	
C3			CK73GB1H103K	CHIP C 0.010UF K		R10 -12			RK73GB2A102J	CHIP R 1.0K J 1/10W	
C6			CK73FB1A225K	CHIP C 2.2UF K		R13			RK73GB2A512J	CHIP R 5.1K J 1/10W	
C7 -12			CK73GB1H103K	CHIP C 0.010UF K		R14			RK73GB2A101J	CHIP R 100 J 1/10W	
C14			CK73GB1H103K	CHIP C 0.010UF K		R16			RK73GB2A100J	CHIP R 10 J 1/10W	
C15			CK73FB1A225K	CHIP C 2.2UF K		R17			RK73GB2A222J	CHIP R 2.2K J 1/10W	
C16			CK73EBOJ106K	CHIP C 10UF K		R18			RK73GB2A225J	CHIP R 2.2M J 1/10W	
C17			CC73GCH1H101J	CHIP C 100PF J		R19			RK73GB2A101J	CHIP R 100 J 1/10W	
C18			C93-1217-05	CHIP C 0.047UF K		R20			RK73GB2A103J	CHIP R 10K J 1/10W	
C19			CK73FB1A225K	CHIP C 2.2UF K		R22			RK73GB2A104J	CHIP R 100K J 1/10W	
C20			CK73GB1C104K	CHIP C 0.10UF K		R23			RK73GB2A472J	CHIP R 4.7K J 1/10W	
C20			CK73GB1H104K	CHIP C 0.10UF K		R24			RK73GB2A103J	CHIP R 10K J 1/10W	
C21			CK73EBOJ106K	CHIP C 10UF K		R25 ,26			RK73GB2A473J	CHIP R 47K J 1/10W	
C22			CK73GB0J105K	CHIP C 1.0UF K		R27			RK73GB2A104J	CHIP R 100K J 1/10W	
C23			CK73GB1H103K	CHIP C 0.010UF K		R28			RK73GB2A473J	CHIP R 47K J 1/10W	
C24			CK73GB1C104K	CHIP C 0.10UF K		R32			RK73GB2A101J	CHIP R 100 J 1/10W	
C24			CK73GB1H104K	CHIP C 0.10UF K		R33			RK73GB2A222J	CHIP R 2.2K J 1/10W	
C26 ,27			CK73GB1H103K	CHIP C 0.010UF K		R34	*		RK73GB2A220J	CHIP R 22 J 1/10W	
J1			E59-0835-05	RECTANGULAR PLUG		R56 -59			RK73GB2A103J	CHIP R 10K J 1/10W	
L1			L92-0332-05	CHIP FERRITE		R60			RK73GB2A104J	CHIP R 100K J 1/10W	
L2			L40-1005-34	SMALL FIXED INDUCTOR		S1 -10			S70-0856-05	TACT SWITCH	
L2			L40-1005-68	SMALL FIXED INDUCTOR		S11 ,12			S70-0857-05	TACT SWITCH	
L3			L92-0332-05	CHIP FERRITE		S13			S70-0851-05	TACT SWITCH	
L4			L40-1005-34	SMALL FIXED INDUCTOR		S14			S70-0864-05	TACT SWITCH	
L4			L40-1005-68	SMALL FIXED INDUCTOR		S15	*		T99-0431-05	ROTARY ENCODER	
						D3			HZM5.6N(B2)	ZENER DIODE	K1K2M1
						D3			MA3056-M	ZENER DIODE	
						D3			02CZ5.6-Y	ZENER DIODE	K1K2M1

E : KDC-PSW9521

M1 : KDC-9020R

K1 : KDC-X759

K2 : KDC-MP919

E: Europe K: North America M: Other Areas

W: Without Europe

indicates safety critical components.

KDC-9020R/MP919/PSW9521/X759

PARTS LIST

* New Parts

Parts without **Parts No.** are not supplied.

Les articles non mentionnés dans le **Parts No.** ne sont pas fournis.

Teile ohne **Parts No.** werden nicht geliefert.

Ref.No.	A d d	N e w	Parts No.	Description	Dest inati on	Ref.No.	A d d	N e w	Parts No.	Description	Dest inati on		
D8 -11			DA204U	DIODE		C41 -43			CK73GB1H103K	CHIP C	0.010UF	K	
D12		*	MA3240-M	ZENER DIODE		C44			CE04NW0J470M	ELECTRO	47UF	6.3WV	
D13 -15			DA204U	DIODE		C45, 46			CC73GCH1H220J	CHIP C	22PF	J	
ED1		*	MN16826A	FLUORESCENT INDICATOR TUBE		C47			CK73GB0J105K	CHIP C	1.0UF	K	
IC1		*	UPD703033GC150	MI-COM IC		C48			CK73EB0J106K	CHIP C	10UF	K	
IC2			BA3830F	ANALOGUE IC		C49			CK73GB1H102K	CHIP C	1000PF	K	
IC3			RS-171	ANALOGUE IC		C50			CK73GB1H103K	CHIP C	0.010UF	K	
IC4			TC74HC4050AFT	MOS-IC		C51 -53			CE04NW1E4R7M	ELECTRO	4.7UF	25WV	
IC5		*	TAR5S33	ANALOGUE IC		C54			CK73GB1H103K	CHIP C	0.010UF	K	
IC6		*	MX23C1610T10-2	MEMORY IC		C55, 56			CE04NW1E4R7M	ELECTRO	4.7UF	25WV	
Q1			DTA114EUA	DIGITAL TRANSISTOR		C60			CE04NW1C470M	ELECTRO	47UF	16WV	
Q1			KRA302	DIGITAL TRANSISTOR	K1K2M1	C61			CK73GB1H103K	CHIP C	0.010UF	K	
Q2			2SC4081	TRANSISTOR		C62			CE04NW1H2R2M	ELECTRO	2.2UF	50WV	
Q3			2SC2713	TRANSISTOR		C63, 64			CE04NW1HR47M	ELECTRO	0.47UF	50WV	
Q4			2SA1163	TRANSISTOR		C65 -68			C90-2850-05	ELECTRO	10UF	10WV	
Q5			DTC114EUA	DIGITAL TRANSISTOR		C69, 70			CK73GB1C104K	CHIP C	0.10UF	K	
Q5			KRC402	DIGITAL TRANSISTOR	K1K2M1	C69, 70			CK73GB1H104K	CHIP C	0.10UF	K	
Q6, 7			2SC2713	TRANSISTOR		C71			CC73GCH1H151J	CHIP C	150PF	J	
ELECTRIC UNIT (X25-91xx-xx)						C72			CK73GB1A474K	CHIP C	0.47UF	K	
C1			C90-5377-05	ELECTRO	3900UF	16WV			CK73GB1H103K	CHIP C	0.010UF	K	
C2			CK73GB1H103K	CHIP C	0.010UF	K			CK73GB1E333K	CHIP C	0.033UF	K	
C3			C90-2866-05	ELECTRO	220UF	16WV			CK73GB1H333K	CHIP C	0.033UF	K	
C4			CK73GB1H103K	CHIP C	0.010UF	K			CE04NW1H010M	ELECTRO	1.0UF	50WV	
C5			CE04NW1C100M	ELECTRO	10UF	16WV			CE04NW1HR33M	ELECTRO	0.33UF	50WV	
C6			CE04NW0J101M	ELECTRO	100UF	6.3WV		*	C90-5429-05	ELECTRO	0.33UF	50WV	
C7			CK73FB1C105K	CHIP C	1.0UF	K			CK73GB1C104K	CHIP C	0.10UF	K	
C8			CE04CW1A221M	ELECTRO	220UF	10WV			CK73GB1H104K	CHIP C	0.10UF	K	
C9			CE04CW1A101M	ELECTRO	100UF	10WV			CE04CW1C220M	ELECTRO	22UF	16WV	
C10, 11			C90-2963-05	ELECTRO	100UF	25WV			CE04NW1C100M	ELECTRO	10UF	16WV	
C12, 13			C90-5418-05	ELECTRO	220UF	16WV			CK73GB1H222K	CHIP C	2200PF	K	
C14, 15			CK73GB1H103K	CHIP C	0.010UF	K			CK73FB1H104K	CHIP C	0.10UF	K	
C15			CK73GB1H103K	CHIP C	0.010UF	K			C90-5296-05	NP-ELECT	0.22UF	50WV	
C16			C90-2962-05	ELECTRO	100UF	16WV			CE04NW1H010M	ELECTRO	1.0UF	50WV	
C17			CK73GB1H103K	CHIP C	0.010UF	K			CE04NW1C330M	ELECTRO	33UF	16WV	
C18			C90-2962-05	ELECTRO	100UF	16WV			CE04NW1H010M	ELECTRO	1.0UF	50WV	
C19			CK73FB1A225K	CHIP C	2.2UF	K			C90-2935-05	ELECTRO	1.0UF	50WV	
C20		*	C93-1218-05	CHIP C	0.010UF	K			CK73GB1H103K	CHIP C	0.010UF	K	
C21, 22			C90-5375-05	ELECTRO	33UF	63WV			CK73GB1H103K	CHIP C	0.010UF	K	
C23			CE04NW1E4R7M	ELECTRO	4.7UF	25WV			CE04NW1C100M	ELECTRO	10UF	16WV	
C24			C90-2962-05	ELECTRO	100UF	16WV			CE04NW1H2R2M	ELECTRO	2.2UF	50WV	
C25 -28			CK73EB1C225K	CHIP C	2.2UF	K			C128	CC73GCH1H331J	CHIP C	330PF	J
C29			CE04NW1C220M	ELECTRO	22UF	16WV			C129,130	CC73GCH1H270J	CHIP C	27PF	J
C30			CK73GB1E223K	CHIP C	0.022UF	K			C131	CC73GCH1H681J	CHIP C	680PF	J
C30			CK73GB1H223K	CHIP C	0.022UF	K			C132,133	CK73GB1A224K	CHIP C	0.22UF	K
C31			CK73GB1H103K	CHIP C	0.010UF	K			C140	CE04NW0J470M	ELECTRO	47UF	6.3WV
C32, 33			CE04NW1E4R7M	ELECTRO	4.7UF	25WV			C141,142	CE04NW1HR47M	ELECTRO	0.47UF	50WV
C34			CE04NW1V3R3M	ELECTRO	3.3UF	35WV			C143	CK73GB1H103K	CHIP C	0.010UF	K
C35			CK73GB1C683K	CHIP C	0.068UF	K			C150	CK73GB1A224K	CHIP C	0.22UF	K
C36			CE04NW1H0R1M	ELECTRO	0.1UF	50WV			C151-153	CK73GB1H103K	CHIP C	0.010UF	K
C37			CK73GB1H103K	CHIP C	0.010UF	K			CN1	* E41-0174-05	PIN ASSY		
C38			CK73GB1E223K	CHIP C	0.022UF	K			CN2	E40-3248-05	PIN ASSY		
C38			CK73GB1H223K	CHIP C	0.022UF	K			CN3	E40-9527-05	FLAT CABLE CONNECTOR		
C39			CE04NW1H010M	ELECTRO	1.0UF	50WV			CN3	* E41-0213-05	FLAT CABLE CONNECTOR		
C40			CK73GB1H102K	CHIP C	1000PF	K			CN4	E40-9557-05	FLAT CABLE CONNECTOR		

E : KDC-PSW9521

E: Europe K: North America M: Other Areas

M1 : KDC-9020R

W: Without Europe

K1 : KDC-X759

K2 : KDC-MP919

⚠ indicates safety critical components.

KDC-9020R/MP919/PSW9521/X759

PARTS LIST

* New Parts

Parts without **Parts No.** are not supplied.

Les articles non mentionnés dans le **Parts No.** ne sont pas fournis.

Teile ohne **Parts No.** werden nicht geliefert.

ELECTRIC UNIT (X25-91xx-xx)

Ref.No.	A d d	N e w	Parts No.	Description	Dest inati on	Ref.No.	A d d	N e w	Parts No.	Description	Dest inati on
△ CN5			E40-5031-05	FLAT CABLE CONNECTOR		R35 ,36			RK73GB2A104J	CHIP R 100K J 1/10W	K1K2
J1			E58-0863-15	RECTANGULAR RECEPTACLE		R36			RK73GB2A104J	CHIP R 100K J 1/10W	M1E
J2			E56-0834-05	CYLINDRICAL RECEPTACLE		R37			RK73FB2B123J	CHIP R 12K J 1/8W	
J3			E04-0154-05	RF COAXIAL CABLE RECEPTACLE		R38			RK73GB2A123J	CHIP R 12K J 1/10W	
L1			L33-1170-05	CHOKO COIL ASSY		R39			RK73GB2A562J	CHIP R 5.6K J 1/10W	
L2			L33-1819-05	CHOKO COIL	K2M1E	R40			RK73GB2A223J	CHIP R 22K J 1/10W	
L3			L33-1029-05	SMALL FIXED INDUCTOR		R41			RD14DB2H332J	SMALL-RD 3.3K J 1/2W	
L4			L40-2205-91	SMALL FIXED INDUCTOR(22UH,J)		R43			RK73GB2A183J	CHIP R 18K J 1/10W	
L5			L40-4795-91	SMALL FIXED INDUCTOR(4.7UH,J)		R44			RK73GB2A104J	CHIP R 100K J 1/10W	
L6			L92-0075-05	CHIP FERRITE		R45			RK73FB2B472J	CHIP R 4.7K J 1/8W	
L7			L40-4795-91	SMALL FIXED INDUCTOR(4.7UH,J)		R46			RD14DB2H102J	SMALL-RD 1.0K J 1/2W	K1K2
L8			L33-1039-05	LINE FILTER COIL		R47 -49			RK73GB2A473J	CHIP R 47K J 1/10W	K2M1E
L9 -13			L40-4795-91	SMALL FIXED INDUCTOR(4.7UH,J)	K1K2	R50			RK73GB2A153J	CHIP R 15K J 1/10W	
L9 -14			L40-4795-91	SMALL FIXED INDUCTOR(4.7UH,J)	M1E	R51			RK73GB2A473J	CHIP R 47K J 1/10W	K2M1E
X1			L78-0821-05	RESONATOR		R52 -54			RK73GB2A101J	CHIP R 100 J 1/10W	E
X2			L77-2738-05	CRYSTAL RESONATOR		R55			RK73GB2A104J	CHIP R 100K J 1/10W	K1E
X3			L77-2002-05	CRYSTAL RESONATOR	M1E	R55 ,56			RK73GB2A104J	CHIP R 100K J 1/10W	K2
S	2B		N80-3008-46	PAN HEAD TAPTITE SCREW		R57			RK73GB2A104J	CHIP R 100K J 1/10W	K1
T	2B		N83-3016-46	PAN HEAD TAPTITE SCREW		R58 -60			RK73GB2A104J	CHIP R 100K J 1/10W	M1
V	2B		N86-2606-46	BINDING HEAD TAPTITE SCREW		R59			RK73GB2A104J	CHIP R 100K J 1/10W	K1
R1			RK73FB2B223J	CHIP R 22K J 1/8W		R59 ,60			RK73GB2A104J	CHIP R 100K J 1/10W	E
R2			RK73GB2A101J	CHIP R 100 J 1/10W		R60			RK73GB2A104J	CHIP R 100K J 1/10W	K2
R3			RK73GB2A223J	CHIP R 22K J 1/10W		R61			RK73GB2A103J	CHIP R 10K J 1/10W	
R4			RK73GB2A222J	CHIP R 2.2K J 1/10W		R62			RK73GB2A221J	CHIP R 220 J 1/10W	
R5			RK73FB2B221J	CHIP R 220 J 1/8W		R63 ,64			RK73GB2A104J	CHIP R 100K J 1/10W	
R6			RK73GB2A153J	CHIP R 15K J 1/10W		R67 ,68			RK73GB2A102J	CHIP R 1.0K J 1/10W	
R7			R92-3032-05	CHIP R 4.3K D 1/10W		R69 ,70			RK73GB2A104J	CHIP R 100K J 1/10W	
R8			R92-3047-05	CHIP R 24K D 1/10W		R71 ,72			RK73GB2A102J	CHIP R 1.0K J 1/10W	
R9			RK73GB2A152J	CHIP R 1.5K J 1/10W		R73			RK73GB2A222J	CHIP R 2.2K J 1/10W	
R10	*		R92-3018-05	CHIP R 150 D 1/10W	K2M1E	R74 ,75			RK73GB2A101J	CHIP R 100 J 1/10W	
R11	*		R92-3017-05	CHIP R 120 D 1/10W	K2M1E	R76			RK73GB2A105J	CHIP R 1.0M J 1/10W	
R12	*		R92-3021-05	CHIP R 680 D 1/10W	K2M1E	R77 ,78			RK73GB2A102J	CHIP R 1.0K J 1/10W	
R13			R92-2104-05	CHIP R 2.2 J 1W		R79			RK73GB2A104J	CHIP R 100K J 1/10W	
R14			RK73GB2A152J	CHIP R 1.5K J 1/10W		R80 -82			RK73GB2A102J	CHIP R 1.0K J 1/10W	
R15			RK73FB2B103J	CHIP R 10K J 1/8W		R83 -85			RK73GB2A222J	CHIP R 2.2K J 1/10W	
R16			RK73GB2A102J	CHIP R 1.0K J 1/10W		R86			RK73GB2A102J	CHIP R 1.0K J 1/10W	
R17			RK73GB2A750J	CHIP R 75 J 1/10W		R87			RK73GB2A104J	CHIP R 100K J 1/10W	
R18			RK73GB2A272J	CHIP R 2.7K J 1/10W		R88 ,89			RK73GB2A222J	CHIP R 2.2K J 1/10W	
R19			RK73GB2A470J	CHIP R 47 J 1/10W		R90 ,91			RK73GB2A104J	CHIP R 100K J 1/10W	K1K2
R20			RK73GB2A752J	CHIP R 7.5K J 1/10W		R92			RK73GB2A102J	CHIP R 1.0K J 1/10W	
R21			RK73GB2A563J	CHIP R 56K J 1/10W		R93			RK73GB2A104J	CHIP R 100K J 1/10W	M1E
R22	*		RK73GB2A274J	CHIP R 270K J 1/10W		R93 -96			RK73GB2A104J	CHIP R 100K J 1/10W	K1K2
R23			RK73GB2A470J	CHIP R 47 J 1/10W		R95 ,96			RK73GB2A104J	CHIP R 100K J 1/10W	M1E
R24			RK73GB2A103J	CHIP R 10K J 1/10W		R97 ,98			RK73GB2A222J	CHIP R 2.2K J 1/10W	
R25 ,26			RK73GB2A913J	CHIP R 91K J 1/10W		R99 ,100			RK73GB2A104J	CHIP R 100K J 1/10W	
R27			RD14DB2H102J	SMALL-RD 1.0K J 1/2W	K1K2	R101			RK73GB2A471J	CHIP R 470 J 1/10W	
R28			RK73GB2A223J	CHIP R 22K J 1/10W	K1K2	R102			RK73GB2A104J	CHIP R 100K J 1/10W	
R29			RK73FB2B472J	CHIP R 4.7K J 1/8W		R103-105			RK73GB2A471J	CHIP R 470 J 1/10W	
R30			RD14DB2H102J	SMALL-RD 1.0K J 1/2W		R106,107			RK73GB2A472J	CHIP R 4.7K J 1/10W	
R31			RK73GB2A223J	CHIP R 22K J 1/10W		R108-110			RK73GB2A102J	CHIP R 1.0K J 1/10W	
R32			RD14DB2H102J	SMALL-RD 1.0K J 1/2W		R111			RK73GB2A104J	CHIP R 100K J 1/10W	E
R33			RK73FB2B561J	CHIP R 560 J 1/8W	K1M1E	R112			RK73GB2A222J	CHIP R 2.2K J 1/10W	
R34			RK73GB2A473J	CHIP R 47K J 1/10W	M1E	R113			RK73GB2A104J	CHIP R 100K J 1/10W	K1K2M1
R35			RK73GB2A223J	CHIP R 22K J 1/10W	M1E	R114 ,115			RK73GB2A102J	CHIP R 1.0K J 1/10W	
						R116 ,117			RK73GB2A103J	CHIP R 10K J 1/10W	

E : KDC-PSW9521

M1 : KDC-9020R

K1 : KDC-X759

K2 : KDC-MP919

E: Europe K: North America M: Other Areas

W: Without Europe

△ indicates safety critical components.

KDC-9020R/MP919/PSW9521/X759

PARTS LIST

* New Parts

Parts without **Parts No.** are not supplied.

Les articles non mentionnés dans le **Parts No.** ne sont pas fournis.

Teile ohne **Parts No.** werden nicht geliefert.

ELECTRIC UNIT (X25-91xx-xx)

Ref.No.	A d d	N e w	Parts No.	Description	Dest inati on
R119			RK73GB2A473J	CHIP R 47K J 1/10W	
R120			RK73GB2A333J	CHIP R 33K J 1/10W	
R121			RK73GB2A104J	CHIP R 100K J 1/10W	
R122			RK73GB2A222J	CHIP R 2.2K J 1/10W	
R130			RK73EB2E102J	CHIP R 1.0K J 1/4W	E
R131-133			RK73EB2E471J	CHIP R 470 J 1/4W	E
R134			RK73EB2E102J	CHIP R 1.0K J 1/4W	K1M1E
R135,136			RK73EB2E103J	CHIP R 10K J 1/4W	M1E
R136			RK73EB2E103J	CHIP R 10K J 1/4W	K1K2
R140			RK73GB2A473J	CHIP R 47K J 1/10W	
R141,142			RK73GB2A103J	CHIP R 10K J 1/10W	
R143			RK73GB2A473J	CHIP R 47K J 1/10W	
R144		*	RK73GB2A821J	CHIP R 820 J 1/10W	
R145			RK73GB2A153J	CHIP R 15K J 1/10W	
R146			RK73GB2A333J	CHIP R 33K J 1/10W	
R147			RK73GB2A473J	CHIP R 47K J 1/10W	
R148			RK73GB2A102J	CHIP R 1.0K J 1/10W	
R151			RK73GB2A472J	CHIP R 4.7K J 1/10W	
R152,153			RK73GB2A334J	CHIP R 330K J 1/10W	
R154,155			RK73GB2A472J	CHIP R 4.7K J 1/10W	
R156			RK73GB2A103J	CHIP R 10K J 1/10W	
R161-164			RK73FB2B361J	CHIP R 360 J 1/8W	
R165,166			RK73GB2A361J	CHIP R 360 J 1/10W	
R167-170			RK73FB2B222J	CHIP R 2.2K J 1/8W	
R171,172			RK73GB2A222J	CHIP R 2.2K J 1/10W	
R173-176			RK73FB2B103J	CHIP R 10K J 1/8W	
R177,178			RK73GB2A103J	CHIP R 10K J 1/10W	
R179-182			RK73FB2B223J	CHIP R 22K J 1/8W	
R183,184			RK73GB2A223J	CHIP R 22K J 1/10W	
R185-188		*	RK73FB2B820J	CHIP R 82 J 1/8W	
R189,190		*	RK73GB2A820J	CHIP R 82 J 1/10W	
R199			RK73GB2A102J	CHIP R 1.0K J 1/10W	
R200			RK73GB2A221J	CHIP R 220 J 1/10W	
R201			RK73GB2A223J	CHIP R 22K J 1/10W	
R202			RK73GB2A333J	CHIP R 33K J 1/10W	
R203			RK73GB2A432J	CHIP R 4.3K J 1/10W	
R204			RK73GB2A100J	CHIP R 10 J 1/10W	
R210			RK73EB2E101J	CHIP R 100 J 1/4W	
R211,212			RK73EB2E472J	CHIP R 4.7K J 1/4W	
R213			RK73EB2E4R7J	CHIP R 4.7 J 1/4W	
R214			RK73EB2E472J	CHIP R 4.7K J 1/4W	
R215			RK73EB2E100J	CHIP R 10 J 1/4W	
R216,217			RK73EB2E472J	CHIP R 4.7K J 1/4W	
R218			RK73EB2E101J	CHIP R 100 J 1/4W	
R219			RK73EB2E100J	CHIP R 10 J 1/4W	
R220			RK73EB2E101J	CHIP R 100 J 1/4W	
R221			RK73FB2B102J	CHIP R 1.0K J 1/8W	
R222			RK73GB2A223J	CHIP R 22K J 1/10W	
R223			RK73FB2B102J	CHIP R 1.0K J 1/8W	
R224			RK73GB2A223J	CHIP R 22K J 1/10W	
R226			RK73GB2A472J	CHIP R 4.7K J 1/10W	M1E
R227-233			RK73GB2A222J	CHIP R 2.2K J 1/10W	M1E
R230-232			RK73GB2A222J	CHIP R 2.2K J 1/10W	K1K2
R240			RK73GB2A472J	CHIP R 4.7K J 1/10W	
R241			RK73GB2A223J	CHIP R 22K J 1/10W	

Ref.No.	A d d	N e w	Parts No.	Description	Dest inati on
R242			RK73EB2E472J	CHIP R 4.7K J 1/4W	
R243			RK73EB2E471J	CHIP R 470 J 1/4W	
R244,245			RK73EB2E102J	CHIP R 1.0K J 1/4W	
R246			RK73EB2E471J	CHIP R 470 J 1/4W	
R247,248			RK73EB2E102J	CHIP R 1.0K J 1/4W	
W5			R92-1252-05	CHIP R 0 OHM J 1/16W	M1E
D1			1N5393G-M5	DIODE	
D2			RB160L-40	DIODE	
D3			MA4056(N)-M	ZENER DIODE	
D4			HZS9A2L	ZENER DIODE	K1K2M1
D4			MA4082(N)-L	ZENER DIODE	
D5			SFPB-54V	DIODE	K2M1E
D6			MA4100-L	ZENER DIODE	
D7			MA4051(N)-M	ZENER DIODE	
D8			MA4110(N)-M	ZENER DIODE	
D9			MA4056(N)-M	ZENER DIODE	
D10,11			1SR154-400	DIODE	
D13			1SR154-400	DIODE	
D14			1SS133	DIODE	
D15			MA4056-M	ZENER DIODE	K1M1E
D16			HZS5B1	ZENER DIODE	M1
D16			MA4047-M	ZENER DIODE	M1E
D17			MA4056(N)-M	ZENER DIODE	
D18			HZS6C2L	ZENER DIODE	K1K2M1
D18			MA4062(N)-M	ZENER DIODE	
D21,22			DAP202U	DIODE	
D23,24			MA3062WA	ZENER DIODE	E
D25			DA204K	DIODE	E
D27			DA204K	DIODE	
D27			KDS226	DIODE	K1K2M1
D29,30			RD6.8M(B2)	ZENER DIODE	
D31-33			1SS133	DIODE	
D35-42			1SR154-400	DIODE	
D43			RD6.8MW	ZENER DIODE	
D44			RD6.8M(B2)	ZENER DIODE	
D45,46			MA3062WA	ZENER DIODE	
D49			IMSA-6801	SURGE ABSORBER	
D50-56			DA204K	DIODE	
D50-56			KDS226	DIODE	K1K2M1
D60,61			DA204U	DIODE	
IC1		*	UPD703033GFA03	MI-COM IC	K2M1E
IC1		*	UPD703033GFA04	MI-COM IC	K1
IC2			TDA7407	ANALOGUE IC	
IC3			M5237ML	IC(VOLTAGE REGULATOR)	
IC4			TDA7560	ANALOGUE IC	
IC5			TDA7401	ANALOGUE IC	
IC6		*	SI-8033JD	ANALOGUE IC	K2M1E
IC7			ICL7660SIBA	ANALOGUE IC	
IC8			S-80837ANNP	MOS-IC	
IC9			HD74HC02FP	MOS-IC	K1K2M1
IC9			TC74HC02AF	MOS-IC	
IC10-13			NJM4565M-TE2	ANALOGUE IC	
IC14			SAA6581T	ANALOGUE IC	M1E
IC15			LB1930M	ANALOGUE IC	

E : KDC-PSW9521


M1 : KDC-9020R

K1 : KDC-X759

K2 : KDC-MP919

E: Europe K: North America M: Other Areas

W: Without Europe

 indicates safety critical components.

KDC-9020R/MP919/PSW9521/X759

PARTS LIST

* New Parts

Parts without **Parts No.** are not supplied.

Les articles non mentionnés dans le **Parts No.** ne sont pas fournis.

Teile ohne **Parts No.** werden nicht geliefert.

ELECTRIC UNIT (X25-91xx-xx)

Ref.No.	A d d	N e w	Parts No.	Description	Dest inati on	Ref.No.	A d d	N e w	Parts No.	Description	Dest inati on
Q1			KTA1046	TRANSISTOR		Q50			2SB1427	TRANSISTOR	
Q2			2SC4081	TRANSISTOR		TH1			PTH9C42BD471Q	POSITIVE RESISTOR	
Q3			2SA1576A	TRANSISTOR		A1		*	W02-3340-05	ELECTRIC CIRCUIT MODULE	
Q4			DTA124EUA	DIGITAL TRANSISTOR		A2			X86-3240-11	TUNER UNIT	K1K2
Q4			KRA303	DIGITAL TRANSISTOR	K1K2M1	A2			X86-3242-70	TUNER UNIT	M1
Q5			DTC124EUA	DIGITAL TRANSISTOR		A2			X86-3342-71	TUNER UNIT	E
Q5		*	KRC403	DIGITAL TRANSISTOR	K1K2M1						
Q6			DTC144EUA	DIGITAL TRANSISTOR							
Q6		*	KRC404	DIGITAL TRANSISTOR	K1K2M1						
Q7			DTA124EUA	DIGITAL TRANSISTOR							
Q7			KRA303	DIGITAL TRANSISTOR	K1K2M1						
Q8			KTA1046	TRANSISTOR							
Q9			2SD2375	TRANSISTOR							
Q10			2SC4081	TRANSISTOR	K2M1E						
Q11			DTC124EUA	DIGITAL TRANSISTOR							
Q11		*	KRC403	DIGITAL TRANSISTOR	K1K2M1						
Q12			DTA124EUA	DIGITAL TRANSISTOR							
Q12			KRA303	DIGITAL TRANSISTOR	K1K2M1						
Q13			KTA1046	TRANSISTOR							
Q14			2SC4081	TRANSISTOR							
Q15			2SB1443	TRANSISTOR							
Q16 ,17			2SC4081	TRANSISTOR							
Q18 ,19			2SA1576A	TRANSISTOR							
Q20			2SC4081	TRANSISTOR							
Q21			2SA1576A	TRANSISTOR							
Q22			2SC4081	TRANSISTOR							
Q23		*	DTC114YUA	DIGITAL TRANSISTOR	K1K2						
Q23			KRC407	DIGITAL TRANSISTOR	K1K2						
Q24 ,25			2SB1277(Q,R)	TRANSISTOR	K1K2						
Q25			2SB1277(Q,R)	TRANSISTOR	M1E						
Q26			2SA1576A	TRANSISTOR							
Q27			DTA124EUA	DIGITAL TRANSISTOR							
Q27			KRA303	DIGITAL TRANSISTOR	K1K2M1						
Q28			DTC114YUA	DIGITAL TRANSISTOR							
Q28		*	KRC407	DIGITAL TRANSISTOR	K1K2M1						
Q29			DTA123JK	DIGITAL TRANSISTOR	K1M1E						
Q29			KRA105S	DIGITAL TRANSISTOR	K1M1						
Q30			DTC144EUA	DIGITAL TRANSISTOR							
Q30		*	KRC404	DIGITAL TRANSISTOR	K1K2M1						
Q31 ,32			2SC4081	TRANSISTOR							
Q33 ,34			DTA124EUA	DIGITAL TRANSISTOR							
Q33 ,34			KRA303	DIGITAL TRANSISTOR	K1K2M1						
Q35			2SC4081	TRANSISTOR							
Q36			DTC124EUA	DIGITAL TRANSISTOR							
Q36		*	KRC403	DIGITAL TRANSISTOR	K1K2M1						
Q37 -43			DTC143TUA	DIGITAL TRANSISTOR							
Q37 -43			KRC410	DIGITAL TRANSISTOR	K1K2M1						
Q45			DTC124EUA	DIGITAL TRANSISTOR							
Q45		*	KRC403	DIGITAL TRANSISTOR	K1K2M1						
Q46			2SB1188(Q,R)	TRANSISTOR							
Q47			DTC124EUA	DIGITAL TRANSISTOR							
Q47		*	KRC403	DIGITAL TRANSISTOR	K1K2M1						
Q48			2SB1188(Q,R)	TRANSISTOR							
Q49			DTC143TUA	DIGITAL TRANSISTOR	M1E						
Q49			KRC410	DIGITAL TRANSISTOR	M1						

E : KDC-PSW9521

M1 : KDC-9020R

K1 : KDC-X759

K2 : KDC-MP919

E: Europe K: North America M: Other Areas

W: Without Europe

indicates safety critical components.

X92-4430-0x X92-4450-0x

PARTS LIST

* New Parts

Parts without **Parts No.** are not supplied.

Les articles non mentionnes dans le **Parts No.** ne sont pas fournis.

Teile ohne **Parts No.** werden nicht geliefert.

Ref. No.	A d d	N e w	Parts No.	Description	Dest inati on
CD PLAYER UNIT (X32-5180-0X, X32-5200-0X)					
C1 ,2			CK73GB0J105K	CHIP C 1.0UF K	
C3			CK73FB1A225K	CHIP C 2.2UF K	
C4			C92-0566-05	CHIP-TAN 10UF 6.3WV	
C5			CC73GCH1H220J	CHIP C 22PF J	
C6			CC73GCH1H030C	CHIP C 3.0PF C	
C7			CK73GB1C104K	CHIP C 0.10UF K	
C8			CK73GB0J105K	CHIP C 1.0UF K	
C10			CK73GB1H472K	CHIP C 4700PF K	
C11			CK73GB1H682K	CHIP C 6800PF K	
C12			CK73GB1H332K	CHIP C 3300PF K	
C13			CK73GB1C333K	CHIP C 0.033UF K	
C14			CK73GB1H472K	CHIP C 4700PF K	
C15			CK73GB1E473K	CHIP C 0.047UF K	
C16			CC73GCH1H221J	CHIP C 220PF J	
C17			CK73GB1H472K	CHIP C 4700PF K	
C18			CC73GCH1H331J	CHIP C 330PF J	
C19 ,20			CK73GB1C104K	CHIP C 0.10UF K	
C21			CK73FB1A225K	CHIP C 2.2UF K	
C23			CK73GB1H102K	CHIP C 1000PF K	
C24			CK73GB1E223K	CHIP C 0.022UF K	
C25			CK73GB1H153K	CHIP C 0.015UF K	
C26			CK73GB0J105K	CHIP C 1.0UF K	
C28			CK73GB0J105K	CHIP C 1.0UF K	
C29			CK73GB1C104K	CHIP C 0.10UF K	
C33			CK73GB1C104K	CHIP C 0.10UF K	
C35			CK73GB1C104K	CHIP C 0.10UF K	
C39			CK73GB1H152K	CHIP C 1500PF K	
C40			CK73GB1H103K	CHIP C 0.010UF K	
C41			CK73EB1C225K	CHIP C 2.2UF K	
C42			CK73GB1H152K	CHIP C 1500PF K	
C44			CK73GB1H103K	CHIP C 0.010UF K	
C46			CK73GB1E473K	CHIP C 0.047UF K	
C51			CK73GB1C104K	CHIP C 0.10UF K	
C55			CK73GB1C104K	CHIP C 0.10UF K	
C67 ,68			CK73GB1C104K	CHIP C 0.10UF K	
C71 ,72			CK73GB1H471K	CHIP C 470PF K	
C77 ,78			CC73GCH1H680J	CHIP C 68PF J	
C79 ,80			CK73GB1H222K	CHIP C 2200PF K	
C85			CK73GB1C104K	CHIP C 0.10UF K	
C89			CK73GB1H222K	CHIP C 2200PF K	
CN1			E40-9536-05	FLAT CABLE CONNECTOR	
CN1			E41-0193-05	FLAT CABLE CONNECTOR	
CN2			E40-9527-05	FLAT CABLE CONNECTOR	
CN2		*	E41-0213-05	FLAT CABLE CONNECTOR	
X1		*	L78-0851-05	RESONATOR (16.93MHZ)	
CP1			R90-1019-05	MULTI-COMP 100 X2	
CP2			R90-1014-05	MULTI-COMP 100 X4	
R3			RK73GB2A272J	CHIP R 2.7K J 1/10W	
R5			RK73GB2A361J	CHIP R 360 J 1/10W	
R6			RK73GB2A272J	CHIP R 2.7K J 1/10W	
R9			RK73FB2B100J	CHIP R 10 J 1/8W	
R10 ,11			RK73GB2A562J	CHIP R 5.6K J 1/10W	

A : X92-4430-00 (DXM-6010W) A1 : X92-4430-01 (DXM-6011W)
A2 : X92-4430-02 (DXM-6012W) A3 : X92-4430-03 (DXM-6013W)

Ref. No.	A d d	N e w	Parts No.	Description	Dest inati on
R12			RK73GB2A682J	CHIP R 6.8K J 1/10W	
R13			RK73GB2A392J	CHIP R 3.9K J 1/10W	
R15			RK73GB2A824J	CHIP R 820K J 1/10W	
R16			RK73GB2A223J	CHIP R 22K J 1/10W	
R17			RK73GB2A393J	CHIP R 39K J 1/10W	
R18			RK73GB2A392J	CHIP R 3.9K J 1/10W	
R19			RK73GB2A473J	CHIP R 47K J 1/10W	
R20			RK73GB2A104J	CHIP R 100K J 1/10W	
R21			RK73GB2A244J	CHIP R 240K J 1/10W	
R22		*	RK73GB2A623J	CHIP R 62K J 1/10W	
R32			RK73GB2A683J	CHIP R 68K J 1/10W	
R34			RK73GB2A363J	CHIP R 36K J 1/10W	
R35			RK73GB2A104J	CHIP R 100K J 1/10W	
R36			RK73GB2A151J	CHIP R 150 J 1/10W	
R37			RK73GB2A471J	CHIP R 470 J 1/10W	
R38			RK73GB2A224J	CHIP R 220K J 1/10W	
R40			RK73GB2A133J	CHIP R 13K J 1/10W	
R46			RK73GB2A102J	CHIP R 1.0K J 1/10W	
R47			RK73GB2A103J	CHIP R 10K J 1/10W	
R49			RK73GB2A472J	CHIP R 4.7K J 1/10W	
R52			RK73GB2A104J	CHIP R 100K J 1/10W	
R53			RK73GB2A103J	CHIP R 10K J 1/10W	
R54			RK73GB2A104J	CHIP R 100K J 1/10W	
R70			RK73GB2A103J	CHIP R 10K J 1/10W	
R71			RK73GB2A183J	CHIP R 18K J 1/10W	
R73			RK73GB2A683J	CHIP R 68K J 1/10W	
R74			RK73GB2A123J	CHIP R 12K J 1/10W	
R75			RK73GB2A333J	CHIP R 33K J 1/10W	
R76			RK73GB2A103J	CHIP R 10K J 1/10W	
R79 ,80			RK73GB2A103J	CHIP R 10K J 1/10W	
R81			RK73GB2A333J	CHIP R 33K J 1/10W	
R82			RK73GB2A223J	CHIP R 22K J 1/10W	
R84			RK73GB2A103J	CHIP R 10K J 1/10W	
R101,102			RK73GB2A332J	CHIP R 3.3K J 1/10W	
R103,104			RK73GB2A562J	CHIP R 5.6K J 1/10W	
R107,108			RK73FB2B331J	CHIP R 330 J 1/8W	
R110			RK73FB2B201J	CHIP R 200 J 1/8W	
R117,118			RK73FB2B203J	CHIP R 20K J 1/8W	
R121,122			RK73FB2B203J	CHIP R 20K J 1/8W	
R125,126			RK73FB2B203J	CHIP R 20K J 1/8W	
R202			RK73GB2A104J	CHIP R 100K J 1/10W	
R213			RK73GB2A104J	CHIP R 100K J 1/10W	BB1B2
R213			RK73GB2A104J	CHIP R 100K J 1/10W	B3
R214			RK73GB2A104J	CHIP R 100K J 1/10W	AA1A2
R214			RK73GB2A104J	CHIP R 100K J 1/10W	A3
R218			RK73GB2A473J	CHIP R 47K J 1/10W	
R233			RK73GB2A622J	CHIP R 6.2K J 1/10W	
R234			RK73GB2A103J	CHIP R 10K J 1/10W	
S1 ,2			S68-0863-05	PUSH SWITCH	
S3			S68-0862-05	PUSH SWITCH	
S4			S68-0864-05	PUSH SWITCH	A2A3B2
S4			S68-0864-05	PUSH SWITCH	B3
D1			DAN202U	DIODE	
D2			MA8051-L	ZENER DIODE	

B : X92-4450-00 (DXM-6110W) B1 : X92-4450-01 (DXM-6111W)
B2 : X92-4450-02 (DXM-6112W) B3 : X92-4450-03 (DXM-6113W)

PARTS LIST

* New Parts

Parts without **Parts No.** are not supplied.

Les articles non mentionnes dans le **Parts No.** ne sont pas fournis.

Teile ohne **Parts No.** werden nicht geliefert.

CD PLAYER UNIT (X32-5180-0X, X32-5200-0X)

Ref. No.	A d d	N e w	Parts No.	Description	D e s t i n a t i o n
D3			DA204U	DIODE	
D4			DAN202U	DIODE	
IC1			AN22000AA	ANALOGUE IC	
IC2		*	MN662773KH2	MOS-IC	BB1B2
IC2		*	MN662773KH2	MOS-IC	B3
IC2			MN662774KJ2	MOS-IC	AA1A2
IC2			MN662774KJ2	MOS-IC	A3
IC4			BA5824FP	ANALOGUE IC	
IC6			NJM4580M1	ANALOGUE IC	
Q1			MCH6101	TRANSISTOR	
Q2			DTC124EUA	DIGITAL TRANSISTOR	
Q3			DTA143XUA	DIGITAL TRANSISTOR	
Q4			2SA1362(Y)	TRANSISTOR	
Q5			DTC124EUA	DIGITAL TRANSISTOR	
CD MECHANISM ASSY (X92-4430-0X, X92-4450-0X)					
2	1B		A10-4827-12	CHASSIS (OUTER)	
5	1B		D10-4576-23	ARM ASSY (CLAMPER ASSY)	
8	2A		D10-4579-03	LEVER ASSY (ROLLER ASSY)	
10	3A		D10-4581-13	ARM (DISC L)	
11	2A		D10-4582-13	ARM (DISC L)	
12	3A		D10-4583-03	ARM (JOINT L)	
13	3A		D10-4584-03	ARM (JOINT R)	
14	3B		D10-4585-03	ARM (CARRIER)	
15	2A		D10-4586-03	SLIDER (L)	
16	3B	*	D10-4587-12	SLIDER (R)	
17	3B		D10-4588-03	SLIDER (TRIG)	
18	3B		D10-4595-04	ARM (LOCK)	
19	3B		D10-4596-04	ARM (ROLLER)	
22	2A		D13-2151-04	GEAR (ROLLER)	
23	2B		D13-2152-04	GEAR (HELICAL 1)	
24	3B		D13-2153-04	GEAR (SUN)	
25	3B		D13-2154-04	GEAR (PLANET)	
26	3B		D13-2155-04	WORM (2)	
27	3B		D13-2156-04	GEAR (HELICAL 2)	
28	3B		D13-2157-04	GEAR (LOAD 1)	
29	3B		D13-2158-04	GEAR (LOAD 2)	
30	3B		D13-2168-04	GEAR (PICK 1)	
31	3B		D13-2171-04	GEAR (PICK 2)	
32	2B		D13-2172-03	RACK (GEAR)	
33	2A		D14-0759-04	ROLLER (N100X3DIES)	
35	2B		D21-2382-04	SHAFT (PICK)	
36	1A		D23-0954-04	RETAINER	
37	1B		D39-0246-05	DAMPER	
38	2B		G01-3072-04	EXTENSION SPRING (TRIGGER)	
39	2A		G01-3073-04	TORSION COIL SPRING (ROLLER L)	
40	2A		G01-3074-04	EXTENSION SPRING (ROLLER R)	
41	2B		G01-3075-04	EXTENSION SPRING (PICKUP)	
42	2A		G01-3076-04	EXTENSION SPRING (JOINT SP)	
43	1B		G01-3077-04	EXTENSION SPRING (FLOATING)	
44	2B		G02-1399-04	FLAT SPRING (CLAMP)	
45	2B		G02-1408-04	FLAT SPRING (WORM)	
51	1A		J21-9676-12	MOUNTING HARDWARE (GUIDE BKT)	
52	3B		J21-9677-02	MOUNTING HARDWARE (GEAR BKT)	

Ref. No.	A d d	N e w	Parts No.	Description	D e s t i n a t i o n
53	1B		J21-9678-03	MOUNTING HARDWARE (DAMPER BKT)	
55	1A		J90-1001-11	GUIDE (1)	
56	1B		J90-1023-03	GUIDE (2)	
DFPC1	2B		J84-0128-15	FLEXIBLE P. W. B. (PICKUP FPC)	
A	2B		N09-4460-05	TAPTITE SCREW (OVAL P TAPTIT)	
B	1B		N09-4472-05	MACHINE SCREW (M1.7X8.5)	
C	2B		N09-6004-05	MACHINE SCREW (M1.7X2.5 IB-L)	
D	1B		N09-6006-05	TAPTITE SCREW (PAN ST 2X3.5T)	
E	2B		N09-6007-05	MACHINE SCREW (PAN M2X2)	
F	1A		N09-6051-05	TAPTITE SCREW (BIND P 2X5)	
G	2A		N19-2163-04	FLAT WASHER (1.6X0.25X6)	
H	1B		N39-2020-46	PAN HEAD MACHIN SCREW (M2X2)	
DM1	3B		T42-1066-04	DC MOTOR ASSY (SP)	
DM2	2B		T42-1067-04	DC MOTOR ASSY (LO)	
DPU1	2B		T25-0105-15	OPTICAL PICKUP HEAD	

A : X92-4430-00 (DXM-6010W) A1 : X92-4430-01 (DXM-6011W)
A2 : X92-4430-02 (DXM-6012W) A3 : X92-4430-03 (DXM-6013W)

B : X92-4450-00 (DXM-6110W) B1 : X92-4450-01 (DXM-6111W)
B2 : X92-4450-02 (DXM-6112W) B3 : X92-4450-03 (DXM-6113W)