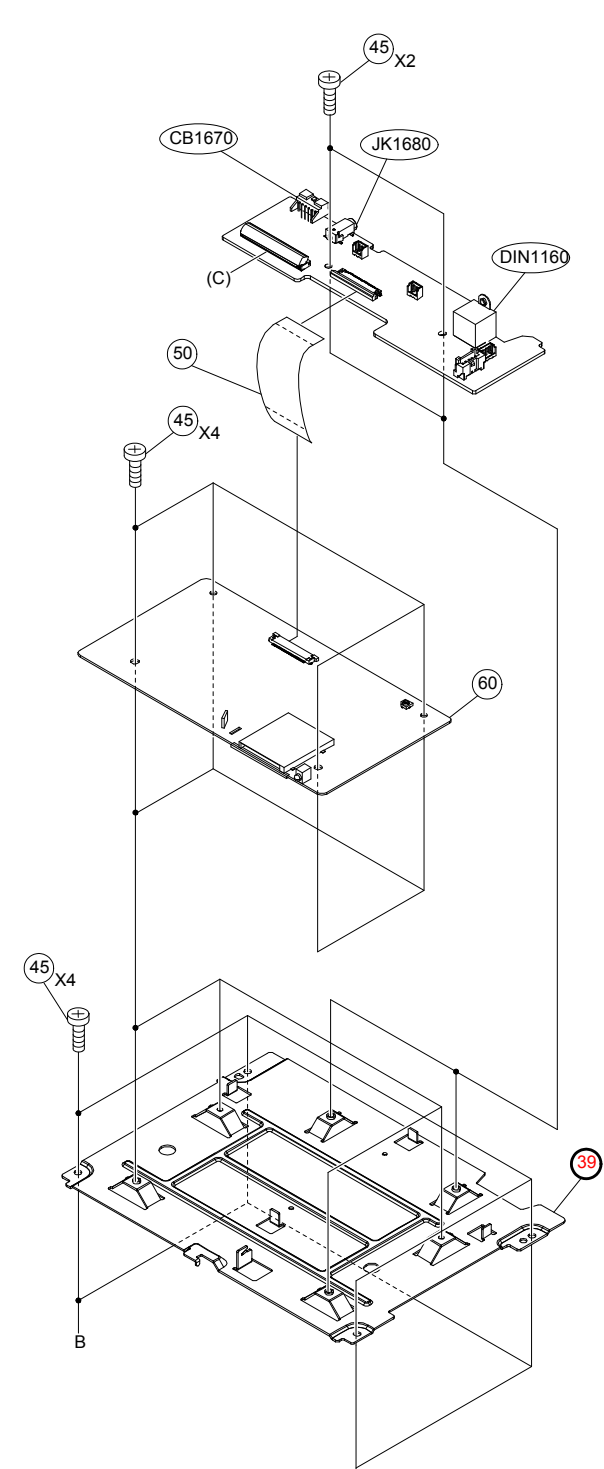
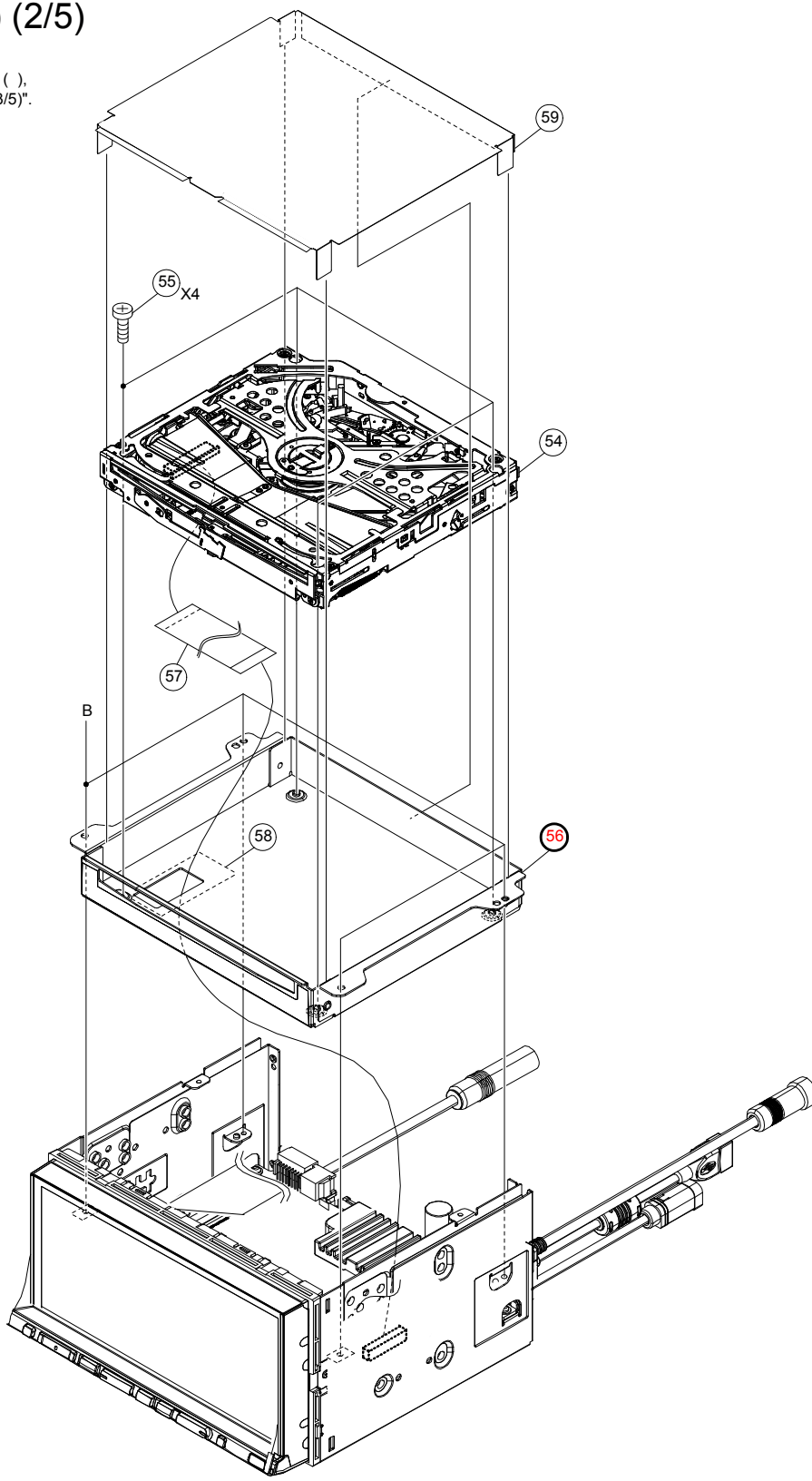


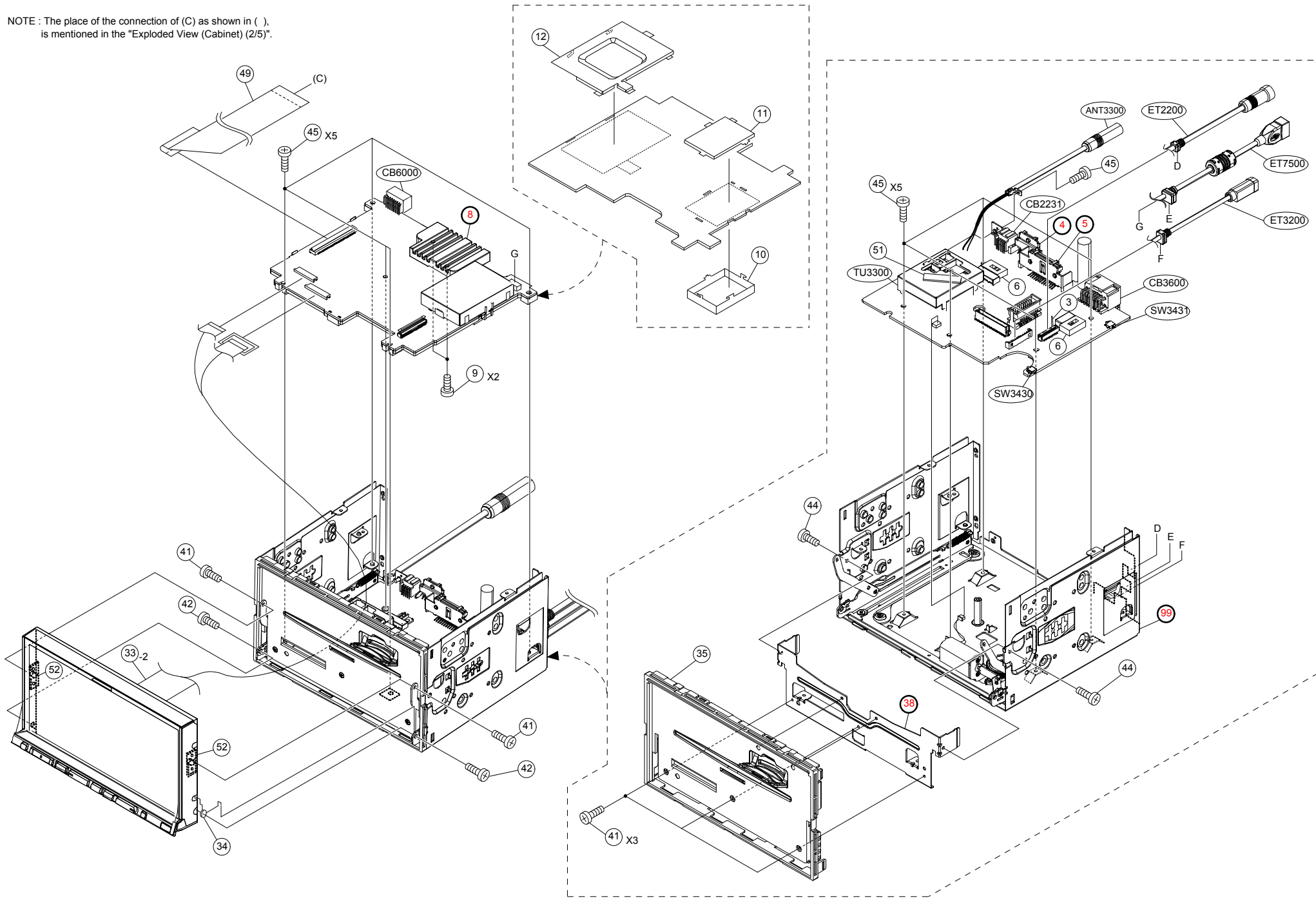
Exploded View (Cabinet) (2/5)

NOTE : The place of the connection of (C) as shown in (),
is mentioned in the "Exploded View (Cabinet) (3/5)".

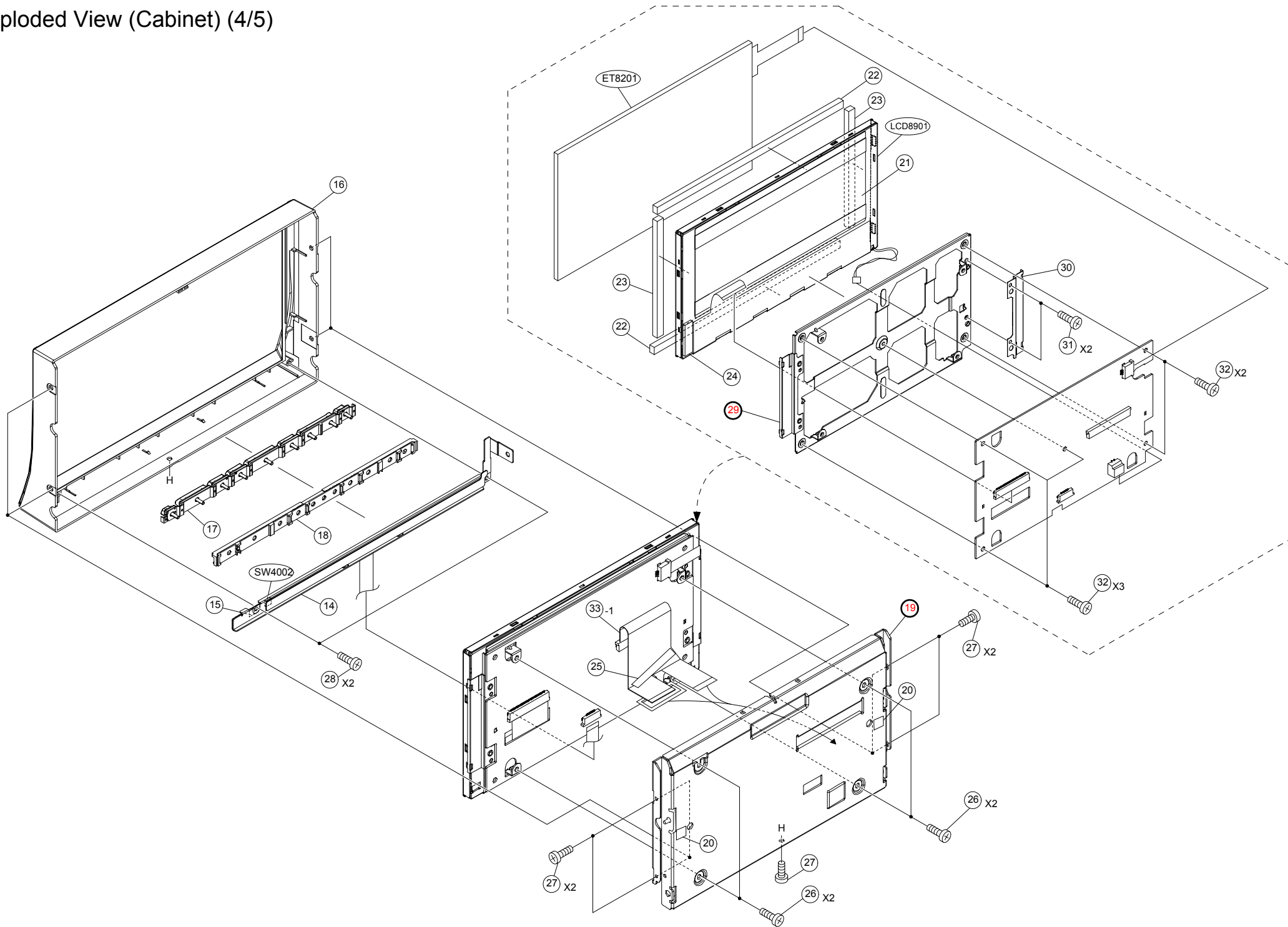


Exploded View (Cabinet) (3/5)

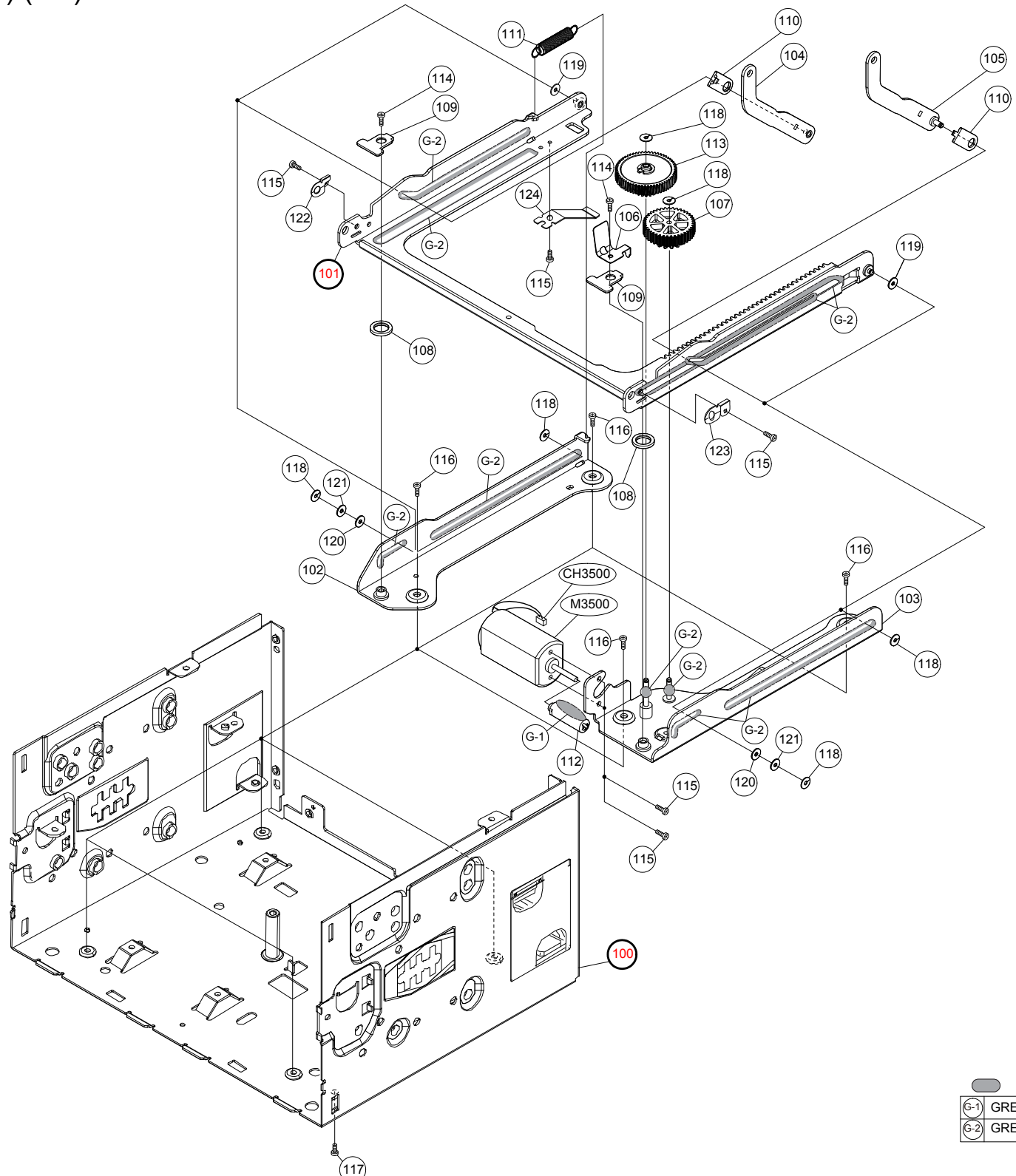
NOTE : The place of the connection of (C) as shown in (),
is mentioned in the "Exploded View (Cabinet) (2/5)".



Exploded View (Cabinet) (4/5)



Exploded View (Cabinet) (5/5)



● paint of GREASE applied.

G-1	GREASE,G-8007	(11S41558Y01)
G-2	GREASE,G-1017	(11T65588Y01)

MODEL	Symbol No.	Parts No.	Description
	3	09T84840F02	LUG,STYLE 32MM
	4	-----	BKT,IC
	5	-----	BKT,IC W500
	6	36-16939Z01	KNOB,SLIDE
	8	-----	HEAT SINK,MIN
	9	03S60822Y13	SCR,S-T 2.6X6 ZN A
	10	15-12105Z01	SHIELD,USB TOP
	11	15-12106Z01	SHIELD,USB BTM
	12	15-16910Z01	SHIELD,TUNER ASSY
	14	07-16839Z02	BKT,PWB FPC ASSY
	15	75-06068Z70	CUS,RUB 3.4X2.6XT3
#1	16	EN-16635Z01	NOSE,MONITOR ASSY
\$1	16	EN-16635Z03	NOSE,MONITOR ASSY
	17	36-16653Z01	KNOB,FRONT ASSY
	18	61-16652Z01	LENS,KNOB ASSY
	19	-----	BKT,MONITOR ASSY
	20	75-06068Z06	CUS,RUB 7X7XT3
	21	14-12063Z01	INS,CVR LCD
	22	14-16000Z01	INS,TAPE LCD
	23	14-16000Z05	INS,TAPE LCD
	24	14-13105Z01	INS,COVER LCD
	25	75-06068Z25	CUS,RUB 33X5XT3
	26	03S60820Y18	SCR,MCH 2X3.5 ZNSA
	27	03-00712Z74	SCR,MCH 2X5 ZBEA
	28	03S60823Y40	SCR,P-T 1.7X4 ZN A
	29	-----	BKT,LCD ASSY
	30	07-12084Z01	BKT,LCD
	31	03S60827Y13	SCR,P-L 2X2.2 ZN A
	32	03S60822Y60	SCR,S-T 2.6X3 ZN A
	33	84-17140Z01	FPC,LCD BDAL902A
	34	41-12155Z01	SPRING,NOSE
	35	EN-16477Z01	NOSE,BASE ASSY
	36	-----	HEAT,SINK
	37	15-12104Z01	COVER,FAN
	38	-----	BKT,ESC
	39	-----	CHAS,MID
	40	-----	COVER,TOP
	41	03-00712Z72	SCR,MCH 2X3.5 ZBNA
	42	03-00354Z01	SCR,MCH 2X3.5 ABCA
	43	03S60822Y22	SCR,S-T 2.6X14 ZN A
	44	03S60820Y40	SCR,MCH 2.6X4 ZNNA
	45	03S60822Y13	SCR,S-T 2.6X6 ZN A
	46	03S60825Y04	SCR,B-T 3X8 ZN A
	47	03S60820Y70	SCR,MCH 2X14 ZNNA

Mark Model Code

#1 INA-W900

\$1 IVA-NAV-10

Others:Common.

NOTE:The part that has not PART NUMBER will not be supplied.

MODEL	Symbol No.	Parts No.	Description
	48	07A02928K01	BKT,FAN
	49	30-17044Z03	SML2CD-68X192-BDX6
	50	30-17044Z01	SML2CD-40X52-BDX6
	51	75-12398Z01	CUSHION.10-1H L=35
	52	43-12075Z01	BUSH,MONITOR
	53	54-16681Z01	LABEL,CHAS
	54	DV-12569Z01	DV37M16A
	55	03S60822Y10	SCR,S-T 2.6X5 ZN A
	56	-----	BKT,DVD MECH
	57	30-17044Z02	SML2CD-45X142-ADX6
	58	75-16654Z01	CUS,BTM MECH
	59	14-12065Z02	INS,COVER MECH
	60	84-16899Z01	ASSY,MAIN4 BDAL902A
	99	-----	JC24A04A
	100	-----	CHAS,BASE ASSY
	101	-----	ASSY,RIV BKT SLIDER
	102	07-09071Z01	ASSY,RIV BASE L
	103	07-09020Z01	ASSY,RIV BASE R
	104	07-09021Z02	ASSY,RIV ARM L
	105	07-09022Z02	ASSY,RIV ARM R
	106	41-05899Z01	SPRING,WORM
	107	44-05901Z01	GEAR,DRIVE
	108	43-05902Z01	BUSH,SLIDER LOW
	109	43-09194Z01	BUSH,SLIDER UP
	110	43-05905Z01	BUSH,ARM
	111	41-08834Z01	SPRING,SLIDER
	112	44-02799Z03	GEAR,WORM
	113	44-11960Z01	GEAR,CLUTCH ASSY
	114	03S60820Y18	SCR,MCH 2X3.5 ZNSA
	115	03S60827Y13	SCR,P-L 2X2.2 ZN A
	116	03S94385F13	SCR,NYLOK M2.6X3
	117	03-00712Z31	SCR,MCH 2X2 ZBNA
	118	04B41345P23	WASH,1.7X5X0.35
	119	43-05904Z01	BUSH,SLIDER REAR
	120	04B41345P72	WAS,LOC 2.3X10X0.25
	121	04A10161Y09	WAS,SPR 3.4X7.4X0.06
	122	41-12842Z01	SPRING,MONITOR GND L
	123	41-12843Z01	SPRING,MONITOR GND R
	124	41-05886Z01	SPRING,CHAS
	ANT3300	09-17241Z04	ASSY,ANID-0116-04A
	CB1670	09-14579Z02	WTB,S06B-PASK-2 -DB
	CB2231	09-07665Z01	WTB,S10B-PADSS-1 -DB
	CB3600	09T35473Y16	WTB,F169B001-16 -DB
	CB6000	09-07665Z02	WTB,S12B-PADSS-1 -DB

Mark Model Code

#1 INA-W900

\$1 IVA-NAV-10

Others:Common.

NOTE:The part that has not PART NUMBER will not be supplied.

MODEL	Symbol No.	Parts No.	Description
	CH3500	09-07002Z01	ASSY,ANIA-0001-01A
	DIN1160	09T15462Y05	DIN,TCS7729-019117DB
	ET1620	09-16695Z01	ASSY,ANID-0112-01A
	ET2200	09-11732Z02	ASSY,ANID-0076-02A
	ET3200	09-14128Z03	ASSY,ANID-0093-03A
	ET501	09-08702Z01	ASSY,ATFD-0716-01A
	ET7500	09-11953Z05	ASSY,YAF11-1283N
	ET8201	40-12211Z01	ASSY,EMU601A2A613
	JK1680	09-12459Z01	JAC,HSJ1765-011075EA
	LCD8901	65-12593Z01	ASSY,C070VW03 V0
	M1650	59-06122Z01	MOTOR,D02X-12TS4(EX)
	M1651	59-06122Z01	MOTOR,D02X-12TS4(EX)
	M3500	59-02037Z01	MOTOR,FF-180SH-13260
	SW3430	40T15494Y15	SW,DETCT SPVG1107-E6
	SW3431	40T15494Y14	SW,DETCT SPVG2106-E6
	SW4002	40-14849Z02	SW,TACT SKRBACE010E2
	TU3300	TU-00887Z04	TUNER,MX-A210F

Mark Model Code

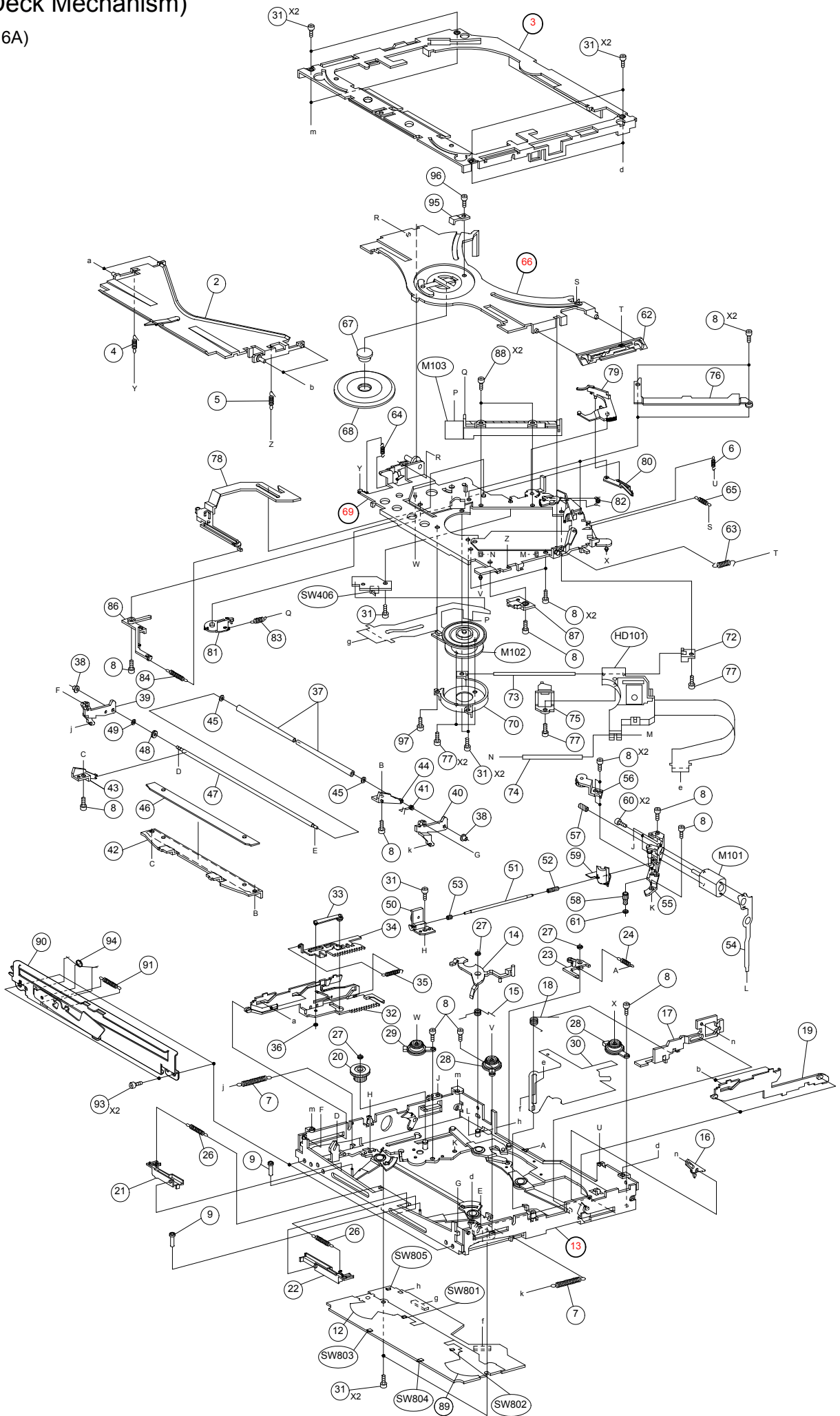
#1 INA-W900

\$1 IVA-NAV-10

Others:Common.

NOTE:The part that has not PART NUMBER will not be supplied.

Exploded View (DVD Deck Mechanism) (DV37M16A)



MODEL	Symbol No.	Parts No.	Description
	2	01A51490Y24	ASSY,RIV GUIDE TOP
	3	-----	CHASSIS, TOP
	4	41A60338Y01	SPRING,DRIVE F-L
	5	41A60339Y01	SPRING,DRIVE F-R
	6	41A60340Y01	SPRING,DRIVE R
	7	41A60344Y01	SPRING,LEV ROLL-L
	8	03S94385F19	SCR,NYLOK M2X2.5
	9	43-03093Z03	ROLLER,DISC PIN
	12	14-01064Z01	INSULATOR,PWB L2
	13	-----	ASSY,RIV CHAS BASE
	14	45C51003Y12	LEVER,TRIGER MAIN
	15	41A51395Y01	SPRING,LEV TRG MAIN
	16	45A50833Y11	LEVER,LINK SLDR(R)
	17	45-05049Z04	SLIDER,LOCK(R2)
	18	41A51396Y02	SPRING,SLD LOCK(R2)
	19	45C51237Y23	SLIDER,LOCK(R1)
	20	44-02002Z03	GEAR,LOAD(E2)
	21	45-01051Z03	SLIDER,DISC SW(L)
	22	45-01052Z03	SLIDER,DISC SW(R)
	23	45B50838Y11	LEVER,LOCK(RC)
	24	41A60343Y01	SPRING,LEV LOCK-RC
	26	41-02948Z01	SPRING,LEV DISC
	27	04B41345P14	WASH,LOCK 2.1X4X0.25
	28	75C60456Y04	DAMPER,DV-TM
	29	75C60456Y05	DAMPER,DV-TM
	30	14A51712Y01	INSULATOR,FPC
	31	03S94385F07	SCR,NYLOK M2X2
	32	45D51236Y23	SLIDER,LOCK(L)
	33	01A51491Y11	ASSY,RIV LEV ASST
	34	44-13170Z01	ASY,SLIDER TRGR 39
	35	41-08516Z01	SPRING,SLD TRIGER
	36	04B41345P15	WASH,1.2X3.5X0.35
	37	49A51397Y03	ROLLER,DV-TM
	38	43A51228Y11	BUSH,ARM GUIDE
	39	45-06962Z01	LEVER,ROLLER(L)3
	40	45-02723Z03	LEVER,ROLLER(R)2
	41	41A60360Y01	SPRING,ARM GUIDE
	42	45-01385Z03	ARM,DISC GUIDE
	43	45B60959Y11	ARM,DISC GUIDE-L
	44	45B60960Y11	ARM,DISC GUIDE-R
	45	04S40075G09	WASH,2.6X4.7X0.25
	46	14A61435Y01	INSULATOR,ARM DISC
	47	47A51349Y01	SHAFT,ROLLER
	48	44-01531Z03	GEAR,ROLLER-2

Mark Model Code

#1 INA-W900

\$1 IVA-NAV-10

Others:Common.

NOTE:The part that has not PART NUMBER will not be supplied.

MODEL	Symbol No.	Parts No.	Description
	49	04B41345P02	WASH,1.7X3.5X0.25
	50	07-01606Z03	ASSY,RIV BKT LD-F-3
	51	47-01479Z01	SHAFT,LOAD
	52	44A50827Y11	GEAR,LOAD(C)
	53	44-01532Z03	GEAR,LOAD(F)-2
	54	84-01207Z01	FPC,LOAD
	55	07-01177Z03	ASSY,RIV BKT LOAD(R)
	56	01A51487Y11	ASSY,RIV BKT LD-R2
	57	44A50825Y11	GEAR,LOAD(A)
	58	44A50826Y11	GEAR,LOAD(B)
	59	07B51226Y11	BKT,SHAFT LOAD
	60	03S30688Y17	SCR,MCH M1.4X2
	61	04B41345P11	WASH,1.2X2.5X0.25
	62	45B51235Y22	SLIDER,ARM LIFT(R)
	63	41A60336Y01	SPRING,CLAMP-R
	64	41A60335Y01	SPRING,CLAMP-L
	65	41A60337Y01	SPRING,CLAMP-RTL
	66	-----	ASSY,RIV ARM CLAMP
	67	43-01054Z03	STOPPER,CLAMP
	68	43-01049Z03	TABLE,CLAMPER
	69	-----	ASSY,RIV CHAS PICKUP
	70	07-01053Z03	BKT,SPINDLE ADJUST
	72	07A50823Y11	BKT,SHAFT PICKUP
	73	47A51347Y01	SHAFT,PICKUP MAIN
	74	47-01057Z01	SHAFT,PICKUP SUB
	75	41-13174Z01	SPRING,NUT 39
	76	15A51210Y11	COVER,MAIN
	77	03S94385F09	SCR,NYLOK M2X3 P2
	78	45C51234Y04	SLIDER,8CM
	79	01B61577Y11	ASSY,RIV LEVER-8L
	80	45A51231Y11	LEVER,TRIGER 8CM
	81	45-02638Z03	LEVER,TRIGER SUB2
	82	41A51394Y01	SPRING,LEV 8CM(L)
	83	41A60346Y01	SPRING,LEV TRG-SUB
	84	41A60347Y01	SPRING,SLD 8CM
	86	07A60069Y11	BKT,SLIDER 8CM
	87	15B61279Y11	SPACER,DAMPER
	88	03S94385F98	SCR,NYLOK M2X2.5
	89	14-01063Z01	INSULATOR,PWB R2
	90	07-09678Z01	ASSY,RIV SHUTTER
	91	41-09634Z01	SPRING,SHUTTER
	93	03S60822Y60	SCR,S-T 2.6X3 ZN A
	94	41-09633Z01	SPRING,LEVER LINK
	95	07-08317Z02	BKT,STOPPER CLAMP

Mark Model Code

#1 INA-W900

\$1 IVA-NAV-10

Others:Common.

NOTE:The part that has not PART NUMBER will not be supplied.

MODEL	Symbol No.	Parts No.	Description
-------	------------	-----------	-------------

	96	03S60820Y78	SCR,MCH 2X2 ZNEA
	97	03S94385F18	SCR,NYLOK M2X3.5
	HD101	EP-05381Z01	ED21A55L-E
	M101	59-03798Z02	MOTOR,M1N10RB95GH1
	M102	59-09841Z06	MOTOR,25C030C021 A
	M103	59T65142Y01	MOTOR,MSDV020L01
	SW406	40T15494Y12	SW,DETCT SPVG2303-E6
	SW801	40T55230Y01	SW,DETCT ESE13V01CE5
	SW802	40T55230Y01	SW,DETCT ESE13V01CE5
	SW803	40T55043Y02	SW,DETCT SPVL12 -E5
	SW804	40T15494Y12	SW,DETCT SPVG2303-E6
	SW805	40T55230Y01	SW,DETCT ESE13V01CE5

Mark Model Code

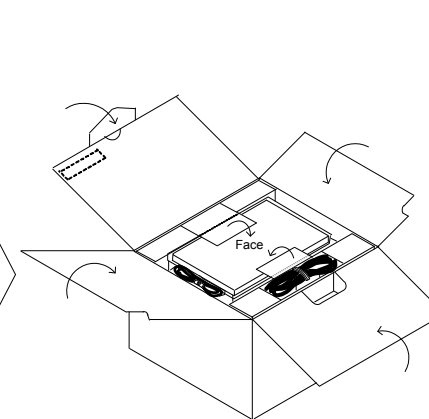
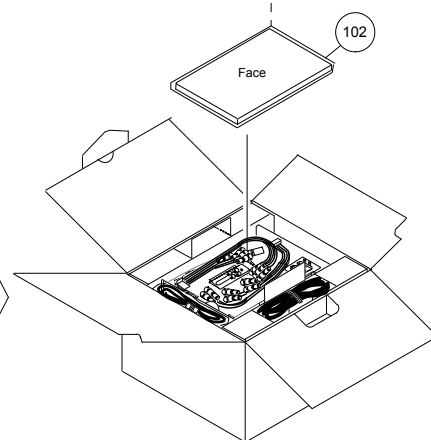
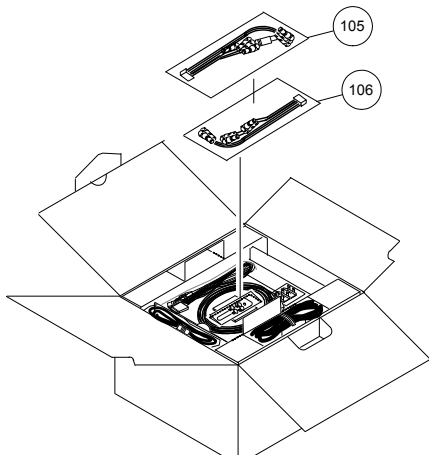
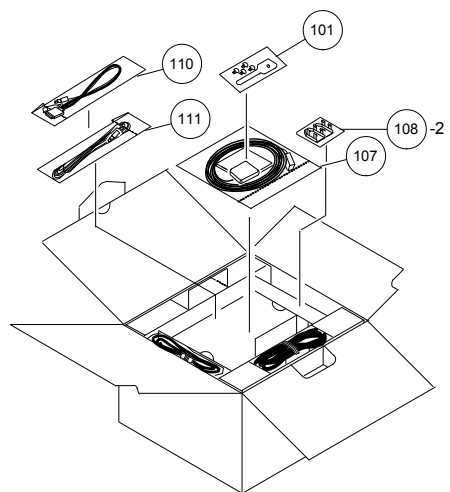
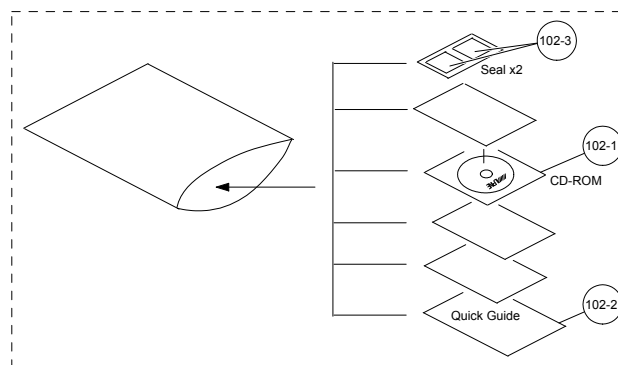
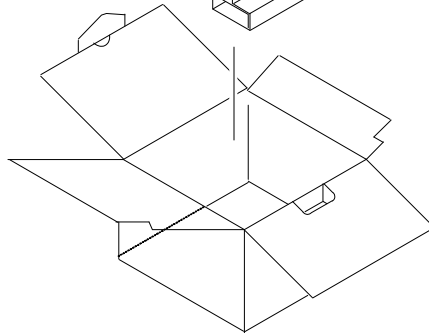
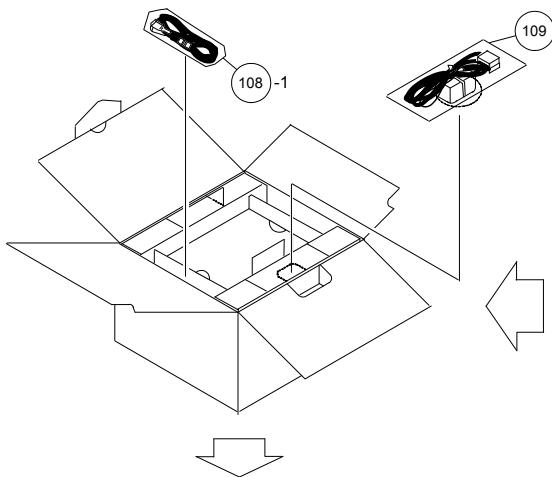
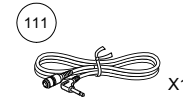
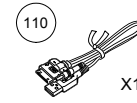
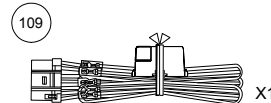
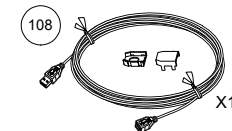
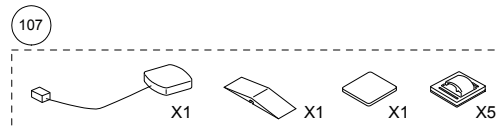
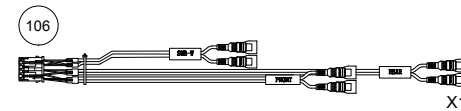
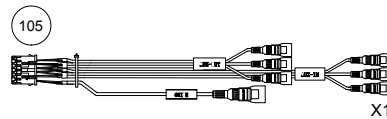
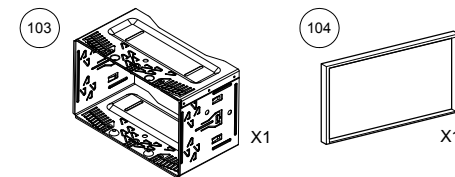
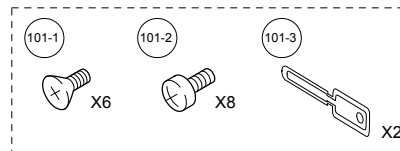
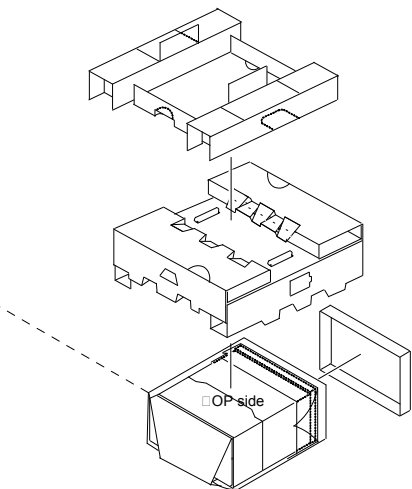
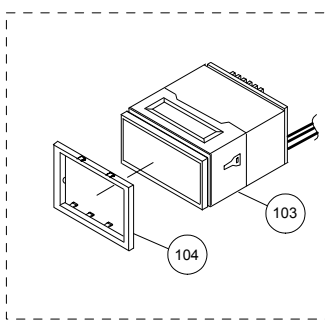
#1 INA-W900

\$1 IVA-NAV-10

Others:Common.

NOTE:The part that has not PART NUMBER will not be supplied.

Packing Method View



MODEL	Symbol No.	Parts No.	Description
	101-1	03S60820Y16	SCR,MCH 5X8 ZN A
	101-2	03S60820Y17	SCR,MCH 5X8 ZN A
	101-3	07-01964Z01	BKT,RELEASE
#1	102-1	68-10334Z27	O/M-CDROM M3+AVN
\$1	102-1	68-10334Z31	O/M-CDROM M3-NAV
#1	102-2	68-14470Z78	C/N-QRG AOAM AOTA
\$1	102-2	68-16909Z06	C/N-QRG AOAM AOTA
	102-3	54-09536Z01	LABEL,CHAS LOCK
	103	15-05590Z01	CASE,INNER
	104	33-12546Z01	FACE,PLATE
	105	09-16696Z02	ASSY,ANID-0083-03B
	106	09-16696Z01	ASSY,ANID-0083-01A
	107	85-01667Z01	GPS ANT,YOP-5187AL01
	108	09-11953Z03	ASSY,YAF11-1253P
	109	09-17244Z04	ASSY,ANIC-0050-04A
	110	09-12482Z03	ASSY,ANID-0077-03A
	111	09-12484Z02	ASSY,ANID-0079-02A


Mark Model Code

#1 INA-W900

\$1 IVA-NAV-10

Others:Common.

NOTE:The part that has not PART NUMBER will not be supplied.

P.W.Board	MIS	MODEL	Ref.	Parts No.	Parts Name
MAIN1F-P.W.Board			ANT3300	09-17241Z04	ASSY,ANID-0116-04A
MAIN1F-P.W.Board			BZ3410	50T15447Y02	BUZZER,PKM13EPY -R5
MAIN1F-P.W.Board			C2002	08S35350Y04	CAP,CER 105K-B1C -CP
MAIN1F-P.W.Board			C2003	08S65669Y03	CAP,CER 224KX7R1H-CP
MAIN1F-P.W.Board			C2004	08S35350Y04	CAP,CER 105K-B1C -CP
MAIN1F-P.W.Board			C2005	08S35350Y04	CAP,CER 105K-B1C -CP
MAIN1F-P.W.Board			C2006	08S35350Y04	CAP,CER 105K-B1C -CP
MAIN1F-P.W.Board			C2007	08S35350Y04	CAP,CER 105K-B1C -CP
MAIN1F-P.W.Board			C2010	08S35350Y04	CAP,CER 105K-B1C -CP
MAIN1F-P.W.Board			C2011	08S35350Y04	CAP,CER 105K-B1C -CP
MAIN1F-P.W.Board			C2012	08S35350Y04	CAP,CER 105K-B1C -CP
MAIN1F-P.W.Board			C2013	08S35350Y04	CAP,CER 105K-B1C -CP
MAIN1F-P.W.Board			C2014	08S35350Y04	CAP,CER 105K-B1C -CP
MAIN1F-P.W.Board			C2200	08S35350Y04	CAP,CER 105K-B1C -CP
MAIN1F-P.W.Board			C2201	08S35350Y04	CAP,CER 105K-B1C -CP
MAIN1F-P.W.Board			C2202	08S35350Y04	CAP,CER 105K-B1C -CP
MAIN1F-P.W.Board			C2203	08S35350Y04	CAP,CER 105K-B1C -CP
MAIN1F-P.W.Board			C2204	08S45677W20	CAP,CER.22RJ-CH1H-CP
MAIN1F-P.W.Board			C2205	08S45677W20	CAP,CER.22RJ-CH1H-CP
MAIN1F-P.W.Board			C2206	08S45677W20	CAP,CER.22RJ-CH1H-CP
MAIN1F-P.W.Board			C2207	08S45677W20	CAP,CER.22RJ-CH1H-CP
MAIN1F-P.W.Board			C2208	08S35350Y04	CAP,CER 105K-B1C -CP
MAIN1F-P.W.Board			C2209	08S35350Y04	CAP,CER 105K-B1C -CP
MAIN1F-P.W.Board			C2210	08S35350Y04	CAP,CER 105K-B1C -CP
MAIN1F-P.W.Board			C2211	08S35350Y04	CAP,CER 105K-B1C -CP
MAIN1F-P.W.Board			C2212	08S45677W20	CAP,CER.22RJ-CH1H-CP
MAIN1F-P.W.Board			C2213	08S45677W20	CAP,CER.22RJ-CH1H-CP
MAIN1F-P.W.Board			C2214	08S45677W20	CAP,CER.22RJ-CH1H-CP
MAIN1F-P.W.Board			C2215	08S45677W20	CAP,CER.22RJ-CH1H-CP
MAIN1F-P.W.Board			C2216	08S45676W80	CAP,CER 223K-B1E -CP
MAIN1F-P.W.Board			C2300	08S45676W85	CAP,CER 104K-B1C -CP
MAIN1F-P.W.Board			C2301	08S45539Y04	CAP,CER 103KX7R2J-CP
MAIN1F-P.W.Board			C2302	08S45677W60	CAP,CER 102J-CH1H-CP
MAIN1F-P.W.Board			C2400	08S45676W80	CAP,CER 223K-B1E -CP
MAIN1F-P.W.Board			C2401	08S45677W25	CAP,CER 36RJ-CH1H-CP
MAIN1F-P.W.Board			C2402	08S45677W25	CAP,CER 36RJ-CH1H-CP
MAIN1F-P.W.Board			C2403	08S65669Y03	CAP,CER 224KX7R1H-CP
MAIN1F-P.W.Board			C2404	08S45676W80	CAP,CER 223K-B1E -CP
MAIN1F-P.W.Board			C2405	08S65670Y01	CAP,CER 106KX5R1C-CP
MAIN1F-P.W.Board			C2406	08S65670Y01	CAP,CER 106KX5R1C-CP
MAIN1F-P.W.Board			C2407	08S65670Y01	CAP,CER 106KX5R1C-CP
MAIN1F-P.W.Board			C2408	08S65670Y01	CAP,CER 106KX5R1C-CP

Mark Model Code

#1 INA-W900

\$1 IVA-NAV-10

Others:Common.

NOTE:The part that has not PART NUMBER will not be supplied.

P.W.Board	MIS	MODEL	Ref.	Parts No.	Parts Name
MAIN1F-P.W.Board			C2500	08S65669Y03	CAP,CER 224KX7R1H-CP
MAIN1F-P.W.Board			C2501	08S65669Y03	CAP,CER 224KX7R1H-CP
MAIN1F-P.W.Board			C2502	08S60102F40	CAP,CER 224K-B1E -CP
MAIN1F-P.W.Board			C2503	08S60102F40	CAP,CER 224K-B1E -CP
MAIN1F-P.W.Board			C2504	08S60102F40	CAP,CER 224K-B1E -CP
MAIN1F-P.W.Board			C2505	08S60102F40	CAP,CER 224K-B1E -CP
MAIN1F-P.W.Board			C2600	08S45676W83	CAP,CER 473K-B1C -CP
MAIN1F-P.W.Board			C2601	08S35349Y21	CAP,CER 104K-B1H -CP
MAIN1F-P.W.Board			C2602	08S35349Y16	CAP,CER 105K-B1A -CP
MAIN1F-P.W.Board			C3201	08S45676W65	CAP,CER.222K-B1H -CP
MAIN1F-P.W.Board			C3202	08S45676W65	CAP,CER.222K-B1H -CP
MAIN1F-P.W.Board			C3203	08S45676W65	CAP,CER.222K-B1H -CP
MAIN1F-P.W.Board			C3204	08S45676W80	CAP,CER 223K-B1E -CP
MAIN1F-P.W.Board			C3300	08S45676W80	CAP,CER 223K-B1E -CP
MAIN1F-P.W.Board			C3301	08S45676W73	CAP,CER.103K-B1H -CP
MAIN1F-P.W.Board			C3303	08S45676W80	CAP,CER 223K-B1E -CP
MAIN1F-P.W.Board			C3304	08S45677W60	CAP,CER 102J-CH1H-CP
MAIN1F-P.W.Board			C3305	08S82122F32	CAP,CER.62RJ-CH1H-CP
MAIN1F-P.W.Board			C3306	08S82122F27	CAP,CER.39RJ-CH1H-CP
MAIN1F-P.W.Board			C3307	08S82122F19	CAP,CER.18RJ-CH1H-CP
MAIN1F-P.W.Board			C3421	08S65128F88	CAP,CER 104K-B1H -CP
MAIN1F-P.W.Board			C3500	08S45677W60	CAP,CER 102J-CH1H-CP
MAIN1F-P.W.Board			C3501	08S45677W60	CAP,CER 102J-CH1H-CP
MAIN1F-P.W.Board			C3502	08S45676W75	CAP,CER.153K-B1H -CP
MAIN1F-P.W.Board			C3503	08S65669Y03	CAP,CER 224KX7R1H-CP
MAIN1F-P.W.Board			C3504	08S45676W75	CAP,CER.153K-B1H -CP
MAIN1F-P.W.Board			C3505	08S45676W75	CAP,CER.153K-B1H -CP
MAIN1F-P.W.Board			C3506	08S65669Y03	CAP,CER 224KX7R1H-CP
MAIN1F-P.W.Board			C3604	08S45676W85	CAP,CER 104K-B1C -CP
MAIN1F-P.W.Board			C3605	08S45676W80	CAP,CER 223K-B1E -CP
MAIN1F-P.W.Board			C3606	08S45676W80	CAP,CER 223K-B1E -CP
MAIN1F-P.W.Board			C3607	08S65128F90	CAP,CER 473K-B1H -CP
MAIN1F-P.W.Board			C3608	08S45539Y04	CAP,CER 103KX7R2J-CP
MAIN1F-P.W.Board			C3609	08S45539Y04	CAP,CER 103KX7R2J-CP
MAIN1F-P.W.Board			C3611	08S45539Y04	CAP,CER 103KX7R2J-CP
MAIN1F-P.W.Board			C3612	08S45539Y04	CAP,CER 103KX7R2J-CP
MAIN1F-P.W.Board			C3700	08S45676W85	CAP,CER 104K-B1C -CP
MAIN1F-P.W.Board			C3701	08S45676W85	CAP,CER 104K-B1C -CP
MAIN1F-P.W.Board			C3702	08S45676W85	CAP,CER 104K-B1C -CP
MAIN1F-P.W.Board			C3703	08S45676W85	CAP,CER 104K-B1C -CP
MAIN1F-P.W.Board			C3704	08S65669Y03	CAP,CER 224KX7R1H-CP
MAIN1F-P.W.Board			C3705	08S45676W85	CAP,CER 104K-B1C -CP



Mark Model Code

#1 INA-W900

\$1 IVA-NAV-10

Others:Common.

NOTE:The part that has not PART NUMBER will not be supplied.

P.W.Board	MIS	MODEL	Ref.	Parts No.	Parts Name
MAIN1F-P.W.Board			C3707	08S45676W85	CAP,CER 104K-B1C -CP
MAIN1F-P.W.Board			C3708	08S65667Y01	CAP,CER 224KX5R1C-CP
MAIN1F-P.W.Board			C3709	08S45676W80	CAP,CER 223K-B1E -CP
MAIN1F-P.W.Board			C3710	08S65667Y01	CAP,CER 224KX5R1C-CP
MAIN1F-P.W.Board			C3711	08S65669Y03	CAP,CER 224KX7R1H-CP
MAIN1F-P.W.Board			CB2200	09-16961Z11	WTB,A1257WV0-12PS-ED
MAIN1F-P.W.Board			CB2231	09-07665Z01	WTB,S10B-PADSS-1 -DB
MAIN1F-P.W.Board			CB3200	09-16658Z06	WTB,A2001WV2-7P -DB
MAIN1F-P.W.Board			CB3400	09-12166Z01	BTB,240405370W3 -EZ
MAIN1F-P.W.Board			CB3401	09-11962Z01	BTB,TKC-W20P-U1 -DS
MAIN1F-P.W.Board			CB3500	09T25436Y02	WTB,53253-0270 -DB
MAIN1F-P.W.Board			CB3600	09T35473Y16	WTB,F169B001-16 -DB
MAIN1F-P.W.Board			D2100	48-07016Z01	DIO,KDS181-RTK -CP
MAIN1F-P.W.Board			D2101	48-07016Z01	DIO,KDS181-RTK -CP
MAIN1F-P.W.Board			D2102	48-07016Z01	DIO,KDS181-RTK -CP
MAIN1F-P.W.Board			D2300	48T75527Y01	DIO,1SR154-400 -E1
MAIN1F-P.W.Board			D3300	48-12230Z01	DIO,KDS226-RTK -CP
MAIN1F-P.W.Board			D3420	48-07015Z01	DIO,KDS160-RTK -CP
MAIN1F-P.W.Board			D3450	48-07016Z02	DIO,KDS184-RTK -CP
MAIN1F-P.W.Board			D3500	48T25274Y01	DIO,MA4S159-TX -CP
MAIN1F-P.W.Board			D3501	48T75527Y01	DIO,1SR154-400 -E1
MAIN1F-P.W.Board			D3600	48-07016Z02	DIO,KDS184-RTK -CP
MAIN1F-P.W.Board			D3601	48-07016Z02	DIO,KDS184-RTK -CP
MAIN1F-P.W.Board			D3602	48T75527Y01	DIO,1SR154-400 -E1
MAIN1F-P.W.Board			D3605	48T75527Y01	DIO,1SR154-400 -E1
MAIN1F-P.W.Board			D3700	48T75527Y01	DIO,1SR154-400 -E1
MAIN1F-P.W.Board			D3701	48T75527Y01	DIO,1SR154-400 -E1
MAIN1F-P.W.Board			E2000	23T65114Y12	CAP,FK 221-1A-D8-E6
MAIN1F-P.W.Board			E2001	23S75244Y18	CAP,ELY 47R-1C -E3
MAIN1F-P.W.Board			E2100	23S65134W52	CAP,ELY 3R3-1V(3)-E2
MAIN1F-P.W.Board			E2101	23S65134W52	CAP,ELY 3R3-1V(3)-E2
MAIN1F-P.W.Board			E2102	23S65134W52	CAP,ELY 3R3-1V(3)-E2
MAIN1F-P.W.Board			E2103	23S65134W52	CAP,ELY 3R3-1V(3)-E2
MAIN1F-P.W.Board			E2104	23S65134W52	CAP,ELY 3R3-1V(3)-E2
MAIN1F-P.W.Board			E2105	23S65134W52	CAP,ELY 3R3-1V(3)-E2
MAIN1F-P.W.Board			E2200	23S65134W32	CAP,ELY 22R-1C(5)-E3
MAIN1F-P.W.Board			E2400	23S65134W32	CAP,ELY 22R-1C(5)-E3
MAIN1F-P.W.Board			E2401	23S75244Y25	CAP,ELY 22R-1E -E3
MAIN1F-P.W.Board			E2403	23S65134W41	CAP,ELY 4R7-1E(3)-E2
MAIN1F-P.W.Board			E2404	23S65134W41	CAP,ELY 4R7-1E(3)-E2
MAIN1F-P.W.Board			E2500	23S65134W31	CAP,ELY 10R-1C(4)-E2
MAIN1F-P.W.Board			E2501	23S65134W31	CAP,ELY 10R-1C(4)-E2

Mark Model Code

#1 INA-W900

\$1 IVA-NAV-10

Others:Common.

NOTE:The part that has not PART NUMBER will not be supplied.

P.W.Board	MIS	MODEL	Ref.	Parts No.	Parts Name
MAIN1F-P.W.Board			E2502	23T65114Y32	CAP,FK 4R7-1V-B -E2
MAIN1F-P.W.Board			E2503	23T65114Y32	CAP,FK 4R7-1V-B -E2
MAIN1F-P.W.Board			E2504	23T65114Y32	CAP,FK 4R7-1V-B -E2
MAIN1F-P.W.Board			E2505	23T65114Y32	CAP,FK 4R7-1V-B -E2
MAIN1F-P.W.Board			E2600	23S65134W65	CAP,ELY 1R0-1H(3)-E2
MAIN1F-P.W.Board			E2601	23S75244Y36	CAP,ELY 47R-1V -E6
MAIN1F-P.W.Board			E2602	23T65114Y32	CAP,FK 4R7-1V-B -E2
MAIN1F-P.W.Board			E3300	23S65134W53	CAP,ELY 4R7-1V(4)-E2
MAIN1F-P.W.Board			E3301	23T65114Y20	CAP,FK 101-1C-D -E6
MAIN1F-P.W.Board			E3302	23T65114Y20	CAP,FK 101-1C-D -E6
MAIN1F-P.W.Board			E3450	23S65134W34	CAP,ELY 47R-1C(6)-E6
MAIN1F-P.W.Board			E3500	23S65134W35	CAP,ELY 101-1C(8)-E6
MAIN1F-P.W.Board			E3601	23T75325Y01	CAP,VB 332-1C +
MAIN1F-P.W.Board			E3700	23S65134W23	CAP,ELY 101-1A(6)-E6
MAIN1F-P.W.Board			E3701	23S65134W26	CAP,ELY 471-1A(8)-EA
MAIN1F-P.W.Board			E3702	23S65134W26	CAP,ELY 471-1A(8)-EA
MAIN1F-P.W.Board			E3703	23S65134W38	CAP,ELY 471-1C(1)-EA
MAIN1F-P.W.Board			E3704	23S65134W23	CAP,ELY 101-1A(6)-E6
MAIN1F-P.W.Board			E3706	23S65134W26	CAP,ELY 471-1A(8)-EA
MAIN1F-P.W.Board			F2300	65T75477Y13	FUSE,CCP2E 4.0A -CP
MAIN1F-P.W.Board			IC2000	51-07764Z01	TDA7417 -QE6
MAIN1F-P.W.Board			IC2200	51T93340F02	NJM2060V-TE2 -SE2
MAIN1F-P.W.Board			IC2400	51T93340F02	NJM2060V-TE2 -SE2
MAIN1F-P.W.Board			IC2500	51-11419Z01	74HC4066PW,118 -SE2
MAIN1F-P.W.Board			IC2501	51-11419Z01	74HC4066PW,118 -SE2
MAIN1F-P.W.Board			IC2600	51-14471Z01	TB2923AHQ -ZS
MAIN1F-P.W.Board			IC3200	51T15192Y02	TC74VHC14FT,K-EL-SE5
MAIN1F-P.W.Board			IC3300	51T25259Y03	BA00ASFP-E2 -NE5
MAIN1F-P.W.Board			IC3500	51T25259Y03	BA00ASFP-E2 -NE5
MAIN1F-P.W.Board			IC3501	51T25448Y01	BA6219BFP-Y-E2 -SE9
MAIN1F-P.W.Board			IC3700	51T65147Y01	HA13165 -ZS
MAIN1F-P.W.Board			L2001	24T45379Y03	IND,D53LC 3R3M -E2
MAIN1F-P.W.Board			L3300	24T55488Y20	IND,LLQ1608 R027J-CP
MAIN1F-P.W.Board			L3301	24T55488Y24	IND,LLQ1608 R039J-CP
MAIN1F-P.W.Board			L3302	24T16403W29	COI,IND.15R-M -CP
MAIN1F-P.W.Board			L3303	24T25164Y21	IND,FSLM2520 4R7J-CP
MAIN1F-P.W.Board			Q2100	48T25317Y01	TR,XN0F256-TX -CP
MAIN1F-P.W.Board			Q2101	48T25317Y01	TR,XN0F256-TX -CP
MAIN1F-P.W.Board			Q2102	48T25317Y01	TR,XN0F256-TX -CP
MAIN1F-P.W.Board			Q2601	48-07989Z01	TR,UNR5211J-TX -CP
MAIN1F-P.W.Board			Q2602	48-07989Z02	TR,UNR5212J-TX -CP
MAIN1F-P.W.Board			Q2603	48-07989Z02	TR,UNR5212J-TX -CP

Mark Model Code

#1 INA-W900

\$1 IVA-NAV-10

Others:Common.

NOTE:The part that has not PART NUMBER will not be supplied.

P.W.Board	MIS	MODEL	Ref.	Parts No.	Parts Name
MAIN1F-P.W.Board			Q2605	48-02302Z02	TR,XP0331200L -CP
MAIN1F-P.W.Board			Q3200	48-02302Z02	TR,XP0331200L -CP
MAIN1F-P.W.Board			Q3300	48-08602Z01	TR,2SA2071-Q-T100-E2
MAIN1F-P.W.Board			Q3301	48-07989Z11	TR,UNR521FJ-TX -CP
MAIN1F-P.W.Board			Q3410	48-07989Z03	TR,UNR5213J-TX -CP
MAIN1F-P.W.Board			Q3450	48-02302Z02	TR,XP0331200L -CP
MAIN1F-P.W.Board			Q3451	48-02302Z02	TR,XP0331200L -CP
MAIN1F-P.W.Board			Q3452	48-07989Z02	TR,UNR5212J-TX -CP
MAIN1F-P.W.Board			Q3453	48-07989Z02	TR,UNR5212J-TX -CP
MAIN1F-P.W.Board			Q3470	48-07989Z02	TR,UNR5212J-TX -CP
MAIN1F-P.W.Board			Q3471	48-09581Z03	TR,KTA1505S-Y-RTK-CP
MAIN1F-P.W.Board			Q3500	48-02302Z01	TR,XP0331100L -CP
MAIN1F-P.W.Board			Q3501	48-02302Z01	TR,XP0331100L -CP
MAIN1F-P.W.Board			Q3600	48-07987Z13	TR,UNR511LJ-TX -CP
MAIN1F-P.W.Board			Q3601	48-07987Z13	TR,UNR511LJ-TX -CP
MAIN1F-P.W.Board			Q3602	48T75031Y03	TR,2SB1440-S -E2
MAIN1F-P.W.Board			Q3603	48-07989Z14	TR,UNR521MJ-TX -CP
MAIN1F-P.W.Board			Q3608	48-07989Z02	TR,UNR5212J-TX -CP
MAIN1F-P.W.Board			Q3700	48-02302Z01	TR,XP0331100L -CP
MAIN1F-P.W.Board			Q3701	48-07989Z13	TR,UNR521LJ-TX -CP
MAIN1F-P.W.Board			Q3702	48-02302Z02	TR,XP0331200L -CP
MAIN1F-P.W.Board			R2001	06S15616Y23	RES,RK JUMPER1/16-CP
MAIN1F-P.W.Board			R2005	06S15615Y25	RES,RK 101J 1/16 -CP
MAIN1F-P.W.Board			R2006	06S15615Y25	RES,RK 101J 1/16 -CP
MAIN1F-P.W.Board			R2008	06S70072F53	RES,CP .102-J-1/4-CP
MAIN1F-P.W.Board			R2009	06S70072F53	RES,CP .102-J-1/4-CP
MAIN1F-P.W.Board			R2010	06S70072F53	RES,CP .102-J-1/4-CP
MAIN1F-P.W.Board			R2100	06S15615Y67	RES,RK 562J 1/16 -CP
MAIN1F-P.W.Board			R2101	06S15615Y67	RES,RK 562J 1/16 -CP
MAIN1F-P.W.Board			R2102	06S15615Y67	RES,RK 562J 1/16 -CP
MAIN1F-P.W.Board			R2103	06S15615Y67	RES,RK 562J 1/16 -CP
MAIN1F-P.W.Board			R2104	06S15615Y67	RES,RK 562J 1/16 -CP
MAIN1F-P.W.Board			R2105	06S15615Y67	RES,RK 562J 1/16 -CP
MAIN1F-P.W.Board			R2106	06S15615Y91	RES,RK 563J 1/16 -CP
MAIN1F-P.W.Board			R2107	06S15615Y91	RES,RK 563J 1/16 -CP
MAIN1F-P.W.Board			R2108	06S15615Y91	RES,RK 563J 1/16 -CP
MAIN1F-P.W.Board			R2109	06S15615Y91	RES,RK 563J 1/16 -CP
MAIN1F-P.W.Board			R2110	06S15615Y91	RES,RK 563J 1/16 -CP
MAIN1F-P.W.Board			R2111	06S15615Y91	RES,RK 563J 1/16 -CP
MAIN1F-P.W.Board			R2112	06S64995F36	RES,RK 201J 1/8 -CP
MAIN1F-P.W.Board			R2113	06S64995F36	RES,RK 201J 1/8 -CP
MAIN1F-P.W.Board			R2114	06S64995F36	RES,RK 201J 1/8 -CP

Mark Model Code

#1 INA-W900

\$1 IVA-NAV-10

Others:Common.

NOTE:The part that has not PART NUMBER will not be supplied.

P.W.Board	MIS	MODEL	Ref.	Parts No.	Parts Name
MAIN1F-P.W.Board			R2115	06S64995F36	RES,RK 201J 1/8 -CP
MAIN1F-P.W.Board			R2116	06S64995F29	RES,RK 101J 1/8 -CP
MAIN1F-P.W.Board			R2117	06S64995F29	RES,RK 101J 1/8 -CP
MAIN1F-P.W.Board			R2118	06S64995F29	RES,RK 101J 1/8 -CP
MAIN1F-P.W.Board			R2119	06S64995F29	RES,RK 101J 1/8 -CP
MAIN1F-P.W.Board			R2120	06S64995F29	RES,RK 101J 1/8 -CP
MAIN1F-P.W.Board			R2121	06S64995F29	RES,RK 101J 1/8 -CP
MAIN1F-P.W.Board			R2122	06S64995F37	RES,RK 221J 1/8 -CP
MAIN1F-P.W.Board			R2123	06S64995F37	RES,RK 221J 1/8 -CP
MAIN1F-P.W.Board			R2200	06S15593Y81	RES,RK 223F 1/10 -CP
MAIN1F-P.W.Board			R2201	06S15593Y81	RES,RK 223F 1/10 -CP
MAIN1F-P.W.Board			R2202	06S15593Y81	RES,RK 223F 1/10 -CP
MAIN1F-P.W.Board			R2203	06S15593Y81	RES,RK 223F 1/10 -CP
MAIN1F-P.W.Board			R2204	06S15593Y81	RES,RK 223F 1/10 -CP
MAIN1F-P.W.Board			R2205	06S15593Y81	RES,RK 223F 1/10 -CP
MAIN1F-P.W.Board			R2206	06S15593Y81	RES,RK 223F 1/10 -CP
MAIN1F-P.W.Board			R2207	06S15593Y81	RES,RK 223F 1/10 -CP
MAIN1F-P.W.Board			R2208	06S15593Y81	RES,RK 223F 1/10 -CP
MAIN1F-P.W.Board			R2209	06S15593Y81	RES,RK 223F 1/10 -CP
MAIN1F-P.W.Board			R2210	06S15593Y81	RES,RK 223F 1/10 -CP
MAIN1F-P.W.Board			R2211	06S15593Y81	RES,RK 223F 1/10 -CP
MAIN1F-P.W.Board			R2212	06S15593Y81	RES,RK 223F 1/10 -CP
MAIN1F-P.W.Board			R2213	06S15593Y81	RES,RK 223F 1/10 -CP
MAIN1F-P.W.Board			R2214	06S15593Y81	RES,RK 223F 1/10 -CP
MAIN1F-P.W.Board			R2215	06S15593Y81	RES,RK 223F 1/10 -CP
MAIN1F-P.W.Board			R2300	06S15615Y73	RES,RK 103J 1/16 -CP
MAIN1F-P.W.Board			R2301	06S15615Y73	RES,RK 103J 1/16 -CP
MAIN1F-P.W.Board			R2302	06S70072F39	RES,CP .271-J-1/4-CP
MAIN1F-P.W.Board			R2303	06S70072F39	RES,CP .271-J-1/4-CP
MAIN1F-P.W.Board			R2400	06S45674W58	RES,RK 112J 1/10 -CP
MAIN1F-P.W.Board			R2401	06S45674W58	RES,RK 112J 1/10 -CP
MAIN1F-P.W.Board			R2402	06S15615Y81	RES,RK 223J 1/16 -CP
MAIN1F-P.W.Board			R2403	06S15615Y81	RES,RK 223J 1/16 -CP
MAIN1F-P.W.Board			R2404	06S15615Y81	RES,RK 223J 1/16 -CP
MAIN1F-P.W.Board			R2405	06S15615Y81	RES,RK 223J 1/16 -CP
MAIN1F-P.W.Board			R2406	06S45674W58	RES,RK 112J 1/10 -CP
MAIN1F-P.W.Board			R2407	06S45674W58	RES,RK 112J 1/10 -CP
MAIN1F-P.W.Board			R2408	06S15593Y81	RES,RK 223F 1/10 -CP
MAIN1F-P.W.Board			R2409	06S15593Y81	RES,RK 223F 1/10 -CP
MAIN1F-P.W.Board			R2410	06S15593Y70	RES,RK 752F 1/10 -CP
MAIN1F-P.W.Board			R2411	06S15593Y70	RES,RK 752F 1/10 -CP
MAIN1F-P.W.Board			R2413	06S15615Y25	RES,RK 101J 1/16 -CP

Mark Model Code

#1 INA-W900

\$1 IVA-NAV-10

Others:Common.

NOTE:The part that has not PART NUMBER will not be supplied.

P.W.Board	MIS	MODEL	Ref.	Parts No.	Parts Name
MAIN1F-P.W.Board			R2414	06S15615Y25	RES,RK 101J 1/16 -CP
MAIN1F-P.W.Board			R2600	06S15615Y73	RES,RK 103J 1/16 -CP
MAIN1F-P.W.Board			R2601	06S15615Y77	RES,RK 153J 1/16 -CP
MAIN1F-P.W.Board			R2602	06S45674W41	RES,RK 221J 1/10 -CP
MAIN1F-P.W.Board			R2603	06S45674W33	RES,RK 101J 1/10 -CP
MAIN1F-P.W.Board			R2604	06S15615Y89	RES,RK 473J 1/16 -CP
MAIN1F-P.W.Board			R2607	06S15615Y81	RES,RK 223J 1/16 -CP
MAIN1F-P.W.Board			R2609	06S15615Y73	RES,RK 103J 1/16 -CP
MAIN1F-P.W.Board			R2611	06S15615Y89	RES,RK 473J 1/16 -CP
MAIN1F-P.W.Board			R3200	06S15615Y89	RES,RK 473J 1/16 -CP
MAIN1F-P.W.Board			R3201	06S15615Y89	RES,RK 473J 1/16 -CP
MAIN1F-P.W.Board			R3204	06S15615Y89	RES,RK 473J 1/16 -CP
MAIN1F-P.W.Board			R3205	06S70072F53	RES,CP .102-J-1/4-CP
MAIN1F-P.W.Board			R3206	06S70072F53	RES,CP .102-J-1/4-CP
MAIN1F-P.W.Board		#1	R3250	06S45675W43	RES,RK JUMPER1/10-CP
MAIN1F-P.W.Board		\$1	R3251	06S45675W43	RES,RK JUMPER1/10-CP
MAIN1F-P.W.Board		#1	R3252	06S45675W43	RES,RK JUMPER1/10-CP
MAIN1F-P.W.Board		\$1	R3253	06S45675W43	RES,RK JUMPER1/10-CP
MAIN1F-P.W.Board			R3300	06S15593Y36	RES,RK 301F 1/10 -CP
MAIN1F-P.W.Board			R3301	06S15593Y57	RES,RK 222F 1/10 -CP
MAIN1F-P.W.Board			R3302	06S15593Y79	RES,RK 183F 1/10 -CP
MAIN1F-P.W.Board			R3303	06S45674W19	RES,RK 27RJ 1/10 -CP
MAIN1F-P.W.Board			R3304	06S45674W19	RES,RK 27RJ 1/10 -CP
MAIN1F-P.W.Board			R3305	06S70072F78	RES,CP .2R2-J-1/4-CP
MAIN1F-P.W.Board			R3306	06S15615Y82	RES,RK 243J 1/16 -CP
MAIN1F-P.W.Board			R3307	06S70072F61	RES,CP .222-J-1/4-CP
MAIN1F-P.W.Board			R3308	06S70072F61	RES,CP .222-J-1/4-CP
MAIN1F-P.W.Board			R3309	06S70072F05	RES,CP .10R-J-1/4-CP
MAIN1F-P.W.Board			R3311	06S15616Y23	RES,RK JUMPER1/16-CP
MAIN1F-P.W.Board			R3331	06S15616Y14	RES,RK 474J 1/16 -CP
MAIN1F-P.W.Board			R3410	06S15615Y73	RES,RK 103J 1/16 -CP
MAIN1F-P.W.Board			R3411	06S70072F53	RES,CP .102-J-1/4-CP
MAIN1F-P.W.Board			R3420	06S15593Y91	RES,RK 563F 1/10 -CP
MAIN1F-P.W.Board			R3422	06S35083Y51	RES,RK 334F 1/4 -CP
MAIN1F-P.W.Board			R3430	06S15615Y81	RES,RK 223J 1/16 -CP
MAIN1F-P.W.Board			R3431	06S15615Y81	RES,RK 223J 1/16 -CP
MAIN1F-P.W.Board			R3450	06S15615Y25	RES,RK 101J 1/16 -CP
MAIN1F-P.W.Board			R3451	06S15615Y73	RES,RK 103J 1/16 -CP
MAIN1F-P.W.Board			R3452	06S15615Y73	RES,RK 103J 1/16 -CP
MAIN1F-P.W.Board			R3470	06S15615Y81	RES,RK 223J 1/16 -CP
MAIN1F-P.W.Board			R3471	06S15615Y89	RES,RK 473J 1/16 -CP
MAIN1F-P.W.Board			R3472	06S15615Y57	RES,RK 222J 1/16 -CP




Mark Model Code

#1 INA-W900

\$1 IVA-NAV-10

Others:Common.

NOTE:The part that has not PART NUMBER will not be supplied.

P.W.Board	MIS	MODEL	Ref.	Parts No.	Parts Name
MAIN1F-P.W.Board			R3501	06S15593Y77	RES,RK 153F 1/10 -CP
MAIN1F-P.W.Board			R3502	06S15593Y57	RES,RK 222F 1/10 -CP
MAIN1F-P.W.Board			R3503	06S15593Y59	RES,RK 272F 1/10 -CP
MAIN1F-P.W.Board			R3504	06S70072F17	RES,CP .33R-J-1/4-CP
MAIN1F-P.W.Board			R3505	06S70072F17	RES,CP .33R-J-1/4-CP
MAIN1F-P.W.Board			R3506	06S70072F17	RES,CP .33R-J-1/4-CP
MAIN1F-P.W.Board			R3507	06S70072F17	RES,CP .33R-J-1/4-CP
MAIN1F-P.W.Board			R3508	06S70072F17	RES,CP .33R-J-1/4-CP
MAIN1F-P.W.Board			R3509	06S70072F17	RES,CP .33R-J-1/4-CP
MAIN1F-P.W.Board			R3600	06S70072F58	RES,CF .162-J-1/4-CP
MAIN1F-P.W.Board			R3601	06S70072F58	RES,CF .162-J-1/4-CP
MAIN1F-P.W.Board			R3602	06S70072F58	RES,CF .162-J-1/4-CP
MAIN1F-P.W.Board			R3603	06S70072F58	RES,CF .162-J-1/4-CP
MAIN1F-P.W.Board			R3604	06S70072F58	RES,CF .162-J-1/4-CP
MAIN1F-P.W.Board			R3605	06S15615Y82	RES,RK 243J 1/16 -CP
MAIN1F-P.W.Board			R3606	06S70072F77	RES,CP .103-J-1/4-CP
MAIN1F-P.W.Board			R3613	06S70072F77	RES,CP .103-J-1/4-CP
MAIN1F-P.W.Board			R3614	06S70072F77	RES,CP .103-J-1/4-CP
MAIN1F-P.W.Board			R3615	06S70072F77	RES,CP .103-J-1/4-CP
MAIN1F-P.W.Board			R3617	06S45674W92	RES,RK 303J 1/10 -CP
MAIN1F-P.W.Board			R3618	06S45674W92	RES,RK 303J 1/10 -CP
MAIN1F-P.W.Board			R3619	06S15615Y89	RES,RK 473J 1/16 -CP
MAIN1F-P.W.Board			R3620	06S15615Y77	RES,RK 153J 1/16 -CP
MAIN1F-P.W.Board			R3621	06S15615Y77	RES,RK 153J 1/16 -CP
MAIN1F-P.W.Board			R3700	06S15593Y77	RES,RK 153F 1/10 -CP
MAIN1F-P.W.Board			R3701	06S15593Y67	RES,RK 562F 1/10 -CP
MAIN1F-P.W.Board			R3702	06S15593Y67	RES,RK 562F 1/10 -CP
MAIN1F-P.W.Board			R3703	06S15615Y71	RES,RK 822J 1/16 -CP
MAIN1F-P.W.Board			R3704	06S35095Y16	RES,RK 303J 1/4 -CP
MAIN1F-P.W.Board			R3705	06S15593Y59	RES,RK 272F 1/10 -CP
MAIN1F-P.W.Board			R3706	06S15615Y91	RES,RK 563J 1/16 -CP
MAIN1F-P.W.Board			R3707	06S15615Y89	RES,RK 473J 1/16 -CP
MAIN1F-P.W.Board			R3709	06S15593Y33	RES,RK 221F 1/10 -CP
MAIN1F-P.W.Board			SA3300	48-00954Z01	VST,CSA30C201M-T -CP
MAIN1F-P.W.Board			SW2300	40T15452Y01	SW,SLIDE SLD-62-724X
MAIN1F-P.W.Board			SW2301	40T45282W02	SW,SLIDE SLD-42-508X
MAIN1F-P.W.Board			SW3430	40T15494Y15	SW,DETCT SPVG1107-E6
MAIN1F-P.W.Board			SW3431	40T15494Y14	SW,DETCT SPVG2106-E6
MAIN1F-P.W.Board			TU3300	TU-00887Z04	TUNER,MX-A210F
MAIN1F-P.W.Board			VT3300	24T35286Y02	IND,MG56 332J -DB
MAIN1F-P.W.Board			ZD3200	48-11191Z09	DIO,ZEN MAZ8036GL-CP
MAIN1F-P.W.Board			ZD3201	48-11191Z09	DIO,ZEN MAZ8036GL-CP

Mark Model Code

#1 INA-W900

\$1 IVA-NAV-10

Others:Common.

NOTE:The part that has not PART NUMBER will not be supplied.

P.W.Board	MIS	MODEL	Ref.	Parts No.	Parts Name
MAIN1F-P.W.Board			ZD3500	48-11191Z28	DIO,ZEN MAZ8068GL-CP
MAIN1F-P.W.Board			ZD3600	48-02592Z01	DIO,ZEN Z5W27VJ -EA
MAIN2F-P.W.Board			C5001	08S35374W01	CAP,CER 104K-B1E-CP
MAIN2F-P.W.Board			C5002	08S35374W01	CAP,CER 104K-B1E-CP
MAIN2F-P.W.Board			C5003	08S35374W01	CAP,CER 104K-B1E-CP
MAIN2F-P.W.Board			C5004	08S45232Y05	CAP,CER 102K-B1H -CP
MAIN2F-P.W.Board			C5005	08S35374W01	CAP,CER 104K-B1E-CP
MAIN2F-P.W.Board			C5006	08S35374W01	CAP,CER 104K-B1E-CP
MAIN2F-P.W.Board			C5007	08S45676W80	CAP,CER 223K-B1E -CP
MAIN2F-P.W.Board			C5008	08S45676W80	CAP,CER 223K-B1E -CP
MAIN2F-P.W.Board			C5009	08S35374W11	CAP,CER 475K-B0J -CP
MAIN2F-P.W.Board			C5010	08S45677W21	CAP,CER 24RJ-CH1H-CP
MAIN2F-P.W.Board			C5011	08S45677W21	CAP,CER 24RJ-CH1H-CP
MAIN2F-P.W.Board			C5012	08S45676W80	CAP,CER 223K-B1E -CP
MAIN2F-P.W.Board			C5013	08S45677W60	CAP,CER 102J-CH1H-CP
MAIN2F-P.W.Board			C5016	08S45677W18	CAP,CER.18RJ-CH1H-CP
MAIN2F-P.W.Board			C5017	08S45677W18	CAP,CER.18RJ-CH1H-CP
MAIN2F-P.W.Board			C5018	08S45676W73	CAP,CER.103K-B1H -CP
MAIN2F-P.W.Board			C5019	08S45676W73	CAP,CER.103K-B1H -CP
MAIN2F-P.W.Board			C5020	08S45232Y05	CAP,CER 102K-B1H -CP
MAIN2F-P.W.Board			C5021	08S45232Y05	CAP,CER 102K-B1H -CP
MAIN2F-P.W.Board			C5022	08S45677W60	CAP,CER 102J-CH1H-CP
MAIN2F-P.W.Board			C5500	08S45676W80	CAP,CER 223K-B1E -CP
MAIN2F-P.W.Board			C5501	08S45676W80	CAP,CER 223K-B1E -CP
MAIN2F-P.W.Board			C5502	08S45677W22	CAP,CER.27RJ-CH1H-CP
MAIN2F-P.W.Board			C5503	08S45677W22	CAP,CER.27RJ-CH1H-CP
MAIN2F-P.W.Board			C6001	08S45677W60	CAP,CER 102J-CH1H-CP
MAIN2F-P.W.Board			C6002	08S45677W60	CAP,CER 102J-CH1H-CP
MAIN2F-P.W.Board			C6003	08S45677W60	CAP,CER 102J-CH1H-CP
MAIN2F-P.W.Board			C6004	08S45677W60	CAP,CER 102J-CH1H-CP
MAIN2F-P.W.Board			C6005	08S45677W60	CAP,CER 102J-CH1H-CP
MAIN2F-P.W.Board			C6006	08S65669Y03	CAP,CER 224KX7R1H-CP
MAIN2F-P.W.Board			C6007	08S45231Y29	CAP,CER 221J-CH1H-CP
MAIN2F-P.W.Board			C6008	08S45677W60	CAP,CER 102J-CH1H-CP
MAIN2F-P.W.Board			C6009	08S65676Y02	CAP,CER 475KX7R1A-CP
MAIN2F-P.W.Board			C6010	08S65669Y02	CAP,CER 474KX7R1E-CP
MAIN2F-P.W.Board			C6011	08S65674Y05	CAP,CER 105KX5R1C-CP
MAIN2F-P.W.Board			C6012	08S65674Y05	CAP,CER 105KX5R1C-CP
MAIN2F-P.W.Board			C6013	08S65674Y05	CAP,CER 105KX5R1C-CP
MAIN2F-P.W.Board			C6014	08S65674Y05	CAP,CER 105KX5R1C-CP
MAIN2F-P.W.Board			C6015	08S65674Y05	CAP,CER 105KX5R1C-CP
MAIN2F-P.W.Board			C6016	08S65674Y05	CAP,CER 105KX5R1C-CP

Mark Model Code

#1 INA-W900

\$1 IVA-NAV-10

Others:Common.

NOTE:The part that has not PART NUMBER will not be supplied.

P.W.Board	MIS	MODEL	Ref.	Parts No.	Parts Name
MAIN2F-P.W.Board			C6017	08S65674Y05	CAP,CER 105KX5R1C-CP
MAIN2F-P.W.Board			C6018	08S35350Y04	CAP,CER 105K-B1C -CP
MAIN2F-P.W.Board			C6019	08S65674Y05	CAP,CER 105KX5R1C-CP
MAIN2F-P.W.Board			C6020	08S65674Y05	CAP,CER 105KX5R1C-CP
MAIN2F-P.W.Board			C6021	08S65674Y05	CAP,CER 105KX5R1C-CP
MAIN2F-P.W.Board			C6022	08S65674Y05	CAP,CER 105KX5R1C-CP
MAIN2F-P.W.Board			C6023	08S65674Y05	CAP,CER 105KX5R1C-CP
MAIN2F-P.W.Board			C6024	08S65674Y05	CAP,CER 105KX5R1C-CP
MAIN2F-P.W.Board			C6025	08S65674Y05	CAP,CER 105KX5R1C-CP
MAIN2F-P.W.Board			C6026	08S35350Y04	CAP,CER 105K-B1C -CP
MAIN2F-P.W.Board			C6027	08S65674Y05	CAP,CER 105KX5R1C-CP
MAIN2F-P.W.Board			C6028	08S65674Y05	CAP,CER 105KX5R1C-CP
MAIN2F-P.W.Board			C6029	08S65676Y02	CAP,CER 475KX7R1A-CP
MAIN2F-P.W.Board			C6030	08S65676Y05	CAP,CER 105KX7R1E-CP
MAIN2F-P.W.Board			C6031	08S45677W36	CAP,CER.101J-CH1H-CP
MAIN2F-P.W.Board			C6032	08S45677W36	CAP,CER.101J-CH1H-CP
MAIN2F-P.W.Board			C6033	08S65674Y05	CAP,CER 105KX5R1C-CP
MAIN2F-P.W.Board			C6034	08S65674Y05	CAP,CER 105KX5R1C-CP
MAIN2F-P.W.Board			C6035	08S65669Y03	CAP,CER 224KX7R1H-CP
MAIN2F-P.W.Board			C6036	08S65669Y03	CAP,CER 224KX7R1H-CP
MAIN2F-P.W.Board			C6037	08S45676W85	CAP,CER 104K-B1C -CP
MAIN2F-P.W.Board			C6038	08S45676W85	CAP,CER 104K-B1C -CP
MAIN2F-P.W.Board			C6039	08S65674Y05	CAP,CER 105KX5R1C-CP
MAIN2F-P.W.Board			C6040	08S65674Y05	CAP,CER 105KX5R1C-CP
MAIN2F-P.W.Board			C6041	08S65674Y05	CAP,CER 105KX5R1C-CP
MAIN2F-P.W.Board			C6042	08S65674Y05	CAP,CER 105KX5R1C-CP
MAIN2F-P.W.Board			C6043	08S65674Y05	CAP,CER 105KX5R1C-CP
MAIN2F-P.W.Board			C6044	08S65674Y05	CAP,CER 105KX5R1C-CP
MAIN2F-P.W.Board			C6045	08S65674Y05	CAP,CER 105KX5R1C-CP
MAIN2F-P.W.Board			C6046	08S65674Y05	CAP,CER 105KX5R1C-CP
MAIN2F-P.W.Board			C6047	08S45676W85	CAP,CER 104K-B1C -CP
MAIN2F-P.W.Board			C6048	08S45677W60	CAP,CER 102J-CH1H-CP
MAIN2F-P.W.Board			C6049	08S35350Y04	CAP,CER 105K-B1C -CP
MAIN2F-P.W.Board			C6500	08S45676W85	CAP,CER 104K-B1C -CP
MAIN2F-P.W.Board			C6501	08S45676W73	CAP,CER.103K-B1H -CP
MAIN2F-P.W.Board			C6502	08S45676W83	CAP,CER 473K-B1C -CP
MAIN2F-P.W.Board			C6503	08S45676W80	CAP,CER 223K-B1E -CP
MAIN2F-P.W.Board			C6504	08S65670Y01	CAP,CER 106KX5R1C-CP
MAIN2F-P.W.Board			C6505	08S65669Y03	CAP,CER 224KX7R1H-CP
MAIN2F-P.W.Board			C6506	08S65669Y03	CAP,CER 224KX7R1H-CP
MAIN2F-P.W.Board			C6507	08S35374W07	CAP,CER 334K-B1C -CP
MAIN2F-P.W.Board			C6508	08S65669Y03	CAP,CER 224KX7R1H-CP

Mark Model Code

#1 INA-W900

\$1 IVA-NAV-10

Others:Common.

NOTE:The part that has not PART NUMBER will not be supplied.

P.W.Board	MIS	MODEL	Ref.	Parts No.	Parts Name
MAIN2F-P.W.Board			C6509	08S45676W85	CAP,CER 104K-B1C -CP
MAIN2F-P.W.Board			C6510	08S45676W85	CAP,CER 104K-B1C -CP
MAIN2F-P.W.Board			C6511	08S45676W65	CAP,CER.222K-B1H -CP
MAIN2F-P.W.Board			C6512	08S45676W65	CAP,CER.222K-B1H -CP
MAIN2F-P.W.Board			C6513	08S45676W85	CAP,CER 104K-B1C -CP
MAIN2F-P.W.Board			C6514	08S45676W85	CAP,CER 104K-B1C -CP
MAIN2F-P.W.Board			C6515	08S45676W85	CAP,CER 104K-B1C -CP
MAIN2F-P.W.Board			C6516	08S35349Y16	CAP,CER 105K-B1A -CP
MAIN2F-P.W.Board			C6517	08S35349Y16	CAP,CER 105K-B1A -CP
MAIN2F-P.W.Board			C6518	08S45676W85	CAP,CER 104K-B1C -CP
MAIN2F-P.W.Board			C6519	08S65669Y03	CAP,CER 224KX7R1H-CP
MAIN2F-P.W.Board			C6520	08S45676W85	CAP,CER 104K-B1C -CP
MAIN2F-P.W.Board			C6522	08S45676W85	CAP,CER 104K-B1C -CP
MAIN2F-P.W.Board			C6523	08S65669Y03	CAP,CER 224KX7R1H-CP
MAIN2F-P.W.Board			C6525	08S65674Y05	CAP,CER 105KX5R1C-CP
MAIN2F-P.W.Board			C6526	08S35349Y21	CAP,CER 104K-B1H -CP
MAIN2F-P.W.Board			C6527	08S45676W73	CAP,CER.103K-B1H -CP
MAIN2F-P.W.Board			C6528	08S45676W73	CAP,CER.103K-B1H -CP
MAIN2F-P.W.Board			C6529	08S45676W73	CAP,CER.103K-B1H -CP
MAIN2F-P.W.Board			C6530	08S35349Y21	CAP,CER 104K-B1H -CP
MAIN2F-P.W.Board			C6531	08S35374W11	CAP,CER 475K-B0J -CP
MAIN2F-P.W.Board			C6532	08S45676W85	CAP,CER 104K-B1C -CP
MAIN2F-P.W.Board			C6533	08S45676W84	CAP,CER 683K-B1C -CP
MAIN2F-P.W.Board			C6534	08S45676W94	CAP,CER 563K-B1C -CP
MAIN2F-P.W.Board			C6535	08S35374W10	CAP,CER 225K-B1A -CP
MAIN2F-P.W.Board			C6536	08S65669Y03	CAP,CER 224KX7R1H-CP
MAIN2F-P.W.Board			C6537	08S45676W73	CAP,CER.103K-B1H -CP
MAIN2F-P.W.Board			C6538	08S45677W60	CAP,CER 102J-CH1H-CP
MAIN2F-P.W.Board			C6539	08S45676W73	CAP,CER.103K-B1H -CP
MAIN2F-P.W.Board			C6540	08S45676W85	CAP,CER 104K-B1C -CP
MAIN2F-P.W.Board			C6541	08S65128F78	CAP,CER.223K-B1H -CP
MAIN2F-P.W.Board			C7001	08S35349Y16	CAP,CER 105K-B1A -CP
MAIN2F-P.W.Board			C7004	08S45677W60	CAP,CER 102J-CH1H-CP
MAIN2F-P.W.Board			C7006	08S45677W44	CAP,CER.221J-CH1H-CP
MAIN2F-P.W.Board			C7007	08S45677W44	CAP,CER.221J-CH1H-CP
MAIN2F-P.W.Board			C7008	08S45677W34	CAP,CER.82RJ-CH1H-CP
MAIN2F-P.W.Board			C7009	08S45677W34	CAP,CER.82RJ-CH1H-CP
MAIN2F-P.W.Board			C7010	08S35349Y16	CAP,CER 105K-B1A -CP
MAIN2F-P.W.Board			C7011	08S45677W16	CAP,CER.15RJ-CH1H-CP
MAIN2F-P.W.Board			C7012	08S45677W16	CAP,CER.15RJ-CH1H-CP
MAIN2F-P.W.Board			C7013	08S65676Y01	CAP,CER 335KX7R1A-CP
MAIN2F-P.W.Board			C7014	08S65676Y01	CAP,CER 335KX7R1A-CP

Mark Model Code

#1 INA-W900

\$1 IVA-NAV-10

Others:Common.

NOTE:The part that has not PART NUMBER will not be supplied.

P.W.Board	MIS	MODEL	Ref.	Parts No.	Parts Name
MAIN2F-P.W.Board			C7015	08S45677W38	CAP,CER 121J-CH1H-CP
MAIN2F-P.W.Board			C7016	08S45677W38	CAP,CER 121J-CH1H-CP
MAIN2F-P.W.Board			C7017	08S65676Y08	CAP,CER 106K-X7R1ACP
MAIN2F-P.W.Board			C7018	08S65670Y06	CAP,CER 226KX5R1A-CP
MAIN2F-P.W.Board			C7019	08S45676W65	CAP,CER.222K-B1H -CP
MAIN2F-P.W.Board			C7020	08S45676W65	CAP,CER.222K-B1H -CP
MAIN2F-P.W.Board			C7021	08S45676W65	CAP,CER.222K-B1H -CP
MAIN2F-P.W.Board			C7022	08S45676W65	CAP,CER.222K-B1H -CP
MAIN2F-P.W.Board			C7023	08S65670Y06	CAP,CER 226KX5R1A-CP
MAIN2F-P.W.Board			C7024	08S65670Y06	CAP,CER 226KX5R1A-CP
MAIN2F-P.W.Board			C7025	08S65670Y01	CAP,CER 106KX5R1C-CP
MAIN2F-P.W.Board			C7026	08S65670Y01	CAP,CER 106KX5R1C-CP
MAIN2F-P.W.Board			C7027	08S65669Y03	CAP,CER 224KX7R1H-CP
MAIN2F-P.W.Board			C7028	08S35350Y03	CAP,CER 224K-B1C -CP
MAIN2F-P.W.Board			C7029	08S65669Y03	CAP,CER 224KX7R1H-CP
MAIN2F-P.W.Board			C7030	08S35350Y03	CAP,CER 224K-B1C -CP
MAIN2F-P.W.Board			C7200	08S45677W60	CAP,CER 102J-CH1H-CP
MAIN2F-P.W.Board			C7201	08S45677W60	CAP,CER 102J-CH1H-CP
MAIN2F-P.W.Board			C7202	08S45677W60	CAP,CER 102J-CH1H-CP
MAIN2F-P.W.Board			C7203	08S35350Y04	CAP,CER 105K-B1C -CP
MAIN2F-P.W.Board			C7204	08S35350Y04	CAP,CER 105K-B1C -CP
MAIN2F-P.W.Board			C7500	08S45676W80	CAP,CER 223K-B1E -CP
MAIN2F-P.W.Board			C7501	08S45676W80	CAP,CER 223K-B1E -CP
MAIN2F-P.W.Board			C7502	08S65670Y01	CAP,CER 106KX5R1C-CP
MAIN2F-P.W.Board			C7503	08S45676W80	CAP,CER 223K-B1E -CP
MAIN2F-P.W.Board			C7505	08S45676W85	CAP,CER 104K-B1C -CP
MAIN2F-P.W.Board			C7509	08S65676Y03	CAP,CER 225KX7R1C-CP
MAIN2F-P.W.Board			C7514	08S45676W80	CAP,CER 223K-B1E -CP
MAIN2F-P.W.Board			C7515	08S45677W49	CAP,CER 361J-CH1H-CP
MAIN2F-P.W.Board			C7516	08S45677W52	CAP,CER 471J-CH1H-CP
MAIN2F-P.W.Board			C7517	08S45677W52	CAP,CER 471J-CH1H-CP
MAIN2F-P.W.Board			C7518	08S65670Y01	CAP,CER 106KX5R1C-CP
MAIN2F-P.W.Board			C7519	08S45676W73	CAP,CER.103K-B1H -CP
MAIN2F-P.W.Board			C7522	08S45676W85	CAP,CER 104K-B1C -CP
MAIN2F-P.W.Board			C7523	08S45676W85	CAP,CER 104K-B1C -CP
MAIN2F-P.W.Board			C7524	08S45676W85	CAP,CER 104K-B1C -CP
MAIN2F-P.W.Board			C7525	08S45676W85	CAP,CER 104K-B1C -CP
MAIN2F-P.W.Board			C7526	08S45676W85	CAP,CER 104K-B1C -CP
MAIN2F-P.W.Board			C7527	08S45676W85	CAP,CER 104K-B1C -CP
MAIN2F-P.W.Board			C7528	08S45676W85	CAP,CER 104K-B1C -CP
MAIN2F-P.W.Board			C7529	08S45676W85	CAP,CER 104K-B1C -CP
MAIN2F-P.W.Board			C7530	08S45676W85	CAP,CER 104K-B1C -CP

Mark Model Code

#1 INA-W900

\$1 IVA-NAV-10

Others:Common.

NOTE:The part that has not PART NUMBER will not be supplied.

P.W.Board	MIS	MODEL	Ref.	Parts No.	Parts Name
MAIN2F-P.W.Board			C7531	08S45676W85	CAP,CER 104K-B1C -CP
MAIN2F-P.W.Board			C7532	08S45676W85	CAP,CER 104K-B1C -CP
MAIN2F-P.W.Board			C7533	08S45676W85	CAP,CER 104K-B1C -CP
MAIN2F-P.W.Board			C7534	08S45676W85	CAP,CER 104K-B1C -CP
MAIN2F-P.W.Board			C7535	08S45676W85	CAP,CER 104K-B1C -CP
MAIN2F-P.W.Board			C7536	08S45676W85	CAP,CER 104K-B1C -CP
MAIN2F-P.W.Board			C7537	08S45676W85	CAP,CER 104K-B1C -CP
MAIN2F-P.W.Board			C7538	08S45676W85	CAP,CER 104K-B1C -CP
MAIN2F-P.W.Board			C7539	08S45676W85	CAP,CER 104K-B1C -CP
MAIN2F-P.W.Board			C7540	08S45676W85	CAP,CER 104K-B1C -CP
MAIN2F-P.W.Board			C7541	08S65670Y01	CAP,CER 106KX5R1C-CP
MAIN2F-P.W.Board			C7542	08S45676W85	CAP,CER 104K-B1C -CP
MAIN2F-P.W.Board			C7543	08S45676W85	CAP,CER 104K-B1C -CP
MAIN2F-P.W.Board			C7544	08S45676W85	CAP,CER 104K-B1C -CP
MAIN2F-P.W.Board			C7545	08S45676W85	CAP,CER 104K-B1C -CP
MAIN2F-P.W.Board			C7546	08S45676W85	CAP,CER 104K-B1C -CP
MAIN2F-P.W.Board			C7547	08S45676W85	CAP,CER 104K-B1C -CP
MAIN2F-P.W.Board			C7548	08S45676W85	CAP,CER 104K-B1C -CP
MAIN2F-P.W.Board			C7549	08S45676W85	CAP,CER 104K-B1C -CP
MAIN2F-P.W.Board			C7550	08S45676W85	CAP,CER 104K-B1C -CP
MAIN2F-P.W.Board			C7551	08S65670Y03	CAP,CER 335KX5R1E-CP
MAIN2F-P.W.Board			C7552	08S65670Y03	CAP,CER 335KX5R1E-CP
MAIN2F-P.W.Board			C7553	08S45231Y11	CAP,CER 8R0D-CH1H-CP
MAIN2F-P.W.Board			C7554	08S45231Y11	CAP,CER 8R0D-CH1H-CP
MAIN2F-P.W.Board			C7555	08S45676W65	CAP,CER.222K-B1H -CP
MAIN2F-P.W.Board			C7556	08S45676W85	CAP,CER 104K-B1C -CP
MAIN2F-P.W.Board			C7557	08S45677W48	CAP,CER.331J-CH1H-CP
MAIN2F-P.W.Board			C7558	08S45677W48	CAP,CER.331J-CH1H-CP
MAIN2F-P.W.Board			C7559	08S45677W38	CAP,CER 121J-CH1H-CP
MAIN2F-P.W.Board			C7560	08S45677W38	CAP,CER 121J-CH1H-CP
MAIN2F-P.W.Board			C7561	08S45676W85	CAP,CER 104K-B1C -CP
MAIN2F-P.W.Board			C7562	08S65670Y01	CAP,CER 106KX5R1C-CP
MAIN2F-P.W.Board			C7563	08S65670Y01	CAP,CER 106KX5R1C-CP
MAIN2F-P.W.Board			C7564	08S45676W85	CAP,CER 104K-B1C -CP
MAIN2F-P.W.Board			C7565	08S45676W85	CAP,CER 104K-B1C -CP
MAIN2F-P.W.Board			C7566	08S65670Y01	CAP,CER 106KX5R1C-CP
MAIN2F-P.W.Board			C7670	08S35349Y17	CAP,CER 225K-B0J -CP
MAIN2F-P.W.Board			C7671	08S45676W69	CAP,CER.472K-B1H -CP
MAIN2F-P.W.Board			C7672	08S45677W30	CAP,CER.56RJ-CH1H-CP
MAIN2F-P.W.Board			C7675	08S45676W73	CAP,CER.103K-B1H -CP
MAIN2F-P.W.Board			C7677	08S45676W85	CAP,CER 104K-B1C -CP
MAIN2F-P.W.Board			C7699	08S45676W80	CAP,CER 223K-B1E -CP


Mark Model Code

#1 INA-W900

\$1 IVA-NAV-10

Others:Common.

NOTE:The part that has not PART NUMBER will not be supplied.

P.W.Board	MIS	MODEL	Ref.	Parts No.	Parts Name
MAIN2F-P.W.Board			CB5601	09-11887Z01	FFC,FH28D-68S-0.5-EZ
MAIN2F-P.W.Board			CB5602	09T75287Y28	FFC,IMSA9631S-28Y-ED
MAIN2F-P.W.Board			CB5603	09T75287Y32	FFC,IMSA9631S-32Y-ED
MAIN2F-P.W.Board			CB6000	09-07665Z02	WTB,S12B-PADSS-1 -DB
MAIN2F-P.W.Board			CB7000	09-05079Z15	FFC,IMSA9639S-45Y-EQ
MAIN2F-P.W.Board			CB7500	09-05987Z04	WTB,BM05B-PASS-TFTEA
MAIN2F-P.W.Board			CH5600	09-06537Z01	BTB,140401170W3 -EZ
MAIN2F-P.W.Board			CH6500	09-09709Z01	BTB,125622320K3 -EK
MAIN2F-P.W.Board			D5500	48-07015Z01	DIO,KDS160-RTK -CP
MAIN2F-P.W.Board			D5501	48-07016Z02	DIO,KDS184-RTK -CP
MAIN2F-P.W.Board			D6000	48-07016Z01	DIO,KDS181-RTK -CP
MAIN2F-P.W.Board			D6500	48T75527Y01	DIO,1SR154-400 -E1
MAIN2F-P.W.Board			D6501	48T75527Y01	DIO,1SR154-400 -E1
MAIN2F-P.W.Board			D7503	48-07924Z01	VST,EZJZ1V800AA -CP
MAIN2F-P.W.Board			D7504	48-07924Z01	VST,EZJZ1V800AA -CP
MAIN2F-P.W.Board			D7670	48T75527Y01	DIO,1SR154-400 -E1
MAIN2F-P.W.Board			D7671	48-07015Z01	DIO,KDS160-RTK -CP
MAIN2F-P.W.Board			E5000	23S65134W15	CAP,ELY 331-0J(8)-E6
MAIN2F-P.W.Board			E5500	23S65134W32	CAP,ELY 22R-1C(5)-E3
MAIN2F-P.W.Board			E5600	23S75244Y22	CAP,ELY 471-1C -EA
MAIN2F-P.W.Board			E6000	23S65134W36	CAP,ELY 221-1C(8)-EA
MAIN2F-P.W.Board			E6001	23S65134W36	CAP,ELY 221-1C(8)-EA
MAIN2F-P.W.Board			E6003	23-12290Z14	CAP,FP 471-1A-F -EA
MAIN2F-P.W.Board			E6004	23S75244Y25	CAP,ELY 22R-1E -E3
MAIN2F-P.W.Board			E6005	23T65114Y10	CAP,FK 22R-1A-B -E2
MAIN2F-P.W.Board			E6006	23T65114Y10	CAP,FK 22R-1A-B -E2
MAIN2F-P.W.Board			E6007	23S75244Y27	CAP,ELY 47R-1E -E6
MAIN2F-P.W.Board			E6008	23S75244Y25	CAP,ELY 22R-1E -E3
MAIN2F-P.W.Board			E6009	23S65134W32	CAP,ELY 22R-1C(5)-E3
MAIN2F-P.W.Board			E6010	23S65134W31	CAP,ELY 10R-1C(4)-E2
MAIN2F-P.W.Board			E6011	23S65134W31	CAP,ELY 10R-1C(4)-E2
MAIN2F-P.W.Board			E6012	23S65134W32	CAP,ELY 22R-1C(5)-E3
MAIN2F-P.W.Board			E6013	23S65134W32	CAP,ELY 22R-1C(5)-E3
MAIN2F-P.W.Board			E6014	23S65134W32	CAP,ELY 22R-1C(5)-E3
MAIN2F-P.W.Board			E6015	23S65134W31	CAP,ELY 10R-1C(4)-E2
MAIN2F-P.W.Board			E6016	23S65134W32	CAP,ELY 22R-1C(5)-E3
MAIN2F-P.W.Board			E6017	23S65134W31	CAP,ELY 10R-1C(4)-E2
MAIN2F-P.W.Board			E6501	23S75244Y25	CAP,ELY 22R-1E -E3
MAIN2F-P.W.Board			E6502	23T65114Y02	CAP,FK 221-1C-E -E6
MAIN2F-P.W.Board			E6503	23S75244Y31	CAP,ELY 471-1E -EA
MAIN2F-P.W.Board			E6504	23S75244Y10	CAP,ELY 33R-1A -E2
MAIN2F-P.W.Board			E6505	23T65114Y24	CAP,FK 681-1C-G -EA

Mark Model Code

#1 INA-W900

\$1 IVA-NAV-10

Others:Common.

NOTE:The part that has not PART NUMBER will not be supplied.

P.W.Board	MIS	MODEL	Ref.	Parts No.	Parts Name
MAIN2F-P.W.Board			E6507	23S75244Y17	CAP,ELY 22R-1C -E2
MAIN2F-P.W.Board			E6508	23T65114Y16	CAP,FK 102-1A-G -EA
MAIN2F-P.W.Board			E6511	23T65114Y03	CAP,FK 22R-0J-B -E2
MAIN2F-P.W.Board			E6512	23S75244Y07	CAP,ELY 102-0J -EA
MAIN2F-P.W.Board			E7200	23S65134W31	CAP,ELY 10R-1C(4)-E2
MAIN2F-P.W.Board			E7500	23S65134W81	CAP,ELY 22R-1C(4)-E2
MAIN2F-P.W.Board			E7501	23S75244Y22	CAP,ELY 471-1C -EA
MAIN2F-P.W.Board			E7506	23S65134W31	CAP,ELY 10R-1C(4)-E2
MAIN2F-P.W.Board			E7509	23S65134W31	CAP,ELY 10R-1C(4)-E2
MAIN2F-P.W.Board			E7670	23S75244Y22	CAP,ELY 471-1C -EA
MAIN2F-P.W.Board			E7671	23S65134W11	CAP,ELY 22R-0J(4)-E2
MAIN2F-P.W.Board			E7672	23S75244Y20	CAP,ELY 221-1C -E6
MAIN2F-P.W.Board			IC5001	83-16494Z15	V1.00BDAL902A_M_AP
MAIN2F-P.W.Board			IC5002	51-07849Z01	TC7WH14FU-L -SE1
MAIN2F-P.W.Board			IC5003	51T65778Y01	BR24L02F-W-E2 -SE2
MAIN2F-P.W.Board			IC5500	51T15362Y01	TC74HCT7007AFTP2-SE6
MAIN2F-P.W.Board			IC5501	51T55070W05	MB88385CPF-ER -SE9
MAIN2F-P.W.Board			IC6000	51-14741Z01	AN15887A-VTU -QT
MAIN2F-P.W.Board			IC6001	51T15567Y01	NJM2535V-TE2 -SE2
MAIN2F-P.W.Board			IC6002	51-03721Z01	NJM2505F-TE1 -CP
MAIN2F-P.W.Board			IC6500	51-04315Z22	BU4229G-TR -CP
MAIN2F-P.W.Board			IC6501	51T25259Y03	BA00ASFP-E2 -NE5
MAIN2F-P.W.Board			IC6502	51-02830Z01	BA7810HFP -NEA
MAIN2F-P.W.Board			IC6503	51-05862Z03	NJM2845DL1-05-TE1NE5
MAIN2F-P.W.Board			IC6504	51-04201Z01	PQ012GN01ZPH -NE5
MAIN2F-P.W.Board			IC6505	51-04412Z01	L5960PD -SEU
MAIN2F-P.W.Board			IC7000	51-09404Z01	PCM1754DBQR -SE2
MAIN2F-P.W.Board			IC7001	51T25576W07	NJM4580V-TE2 -SE2
MAIN2F-P.W.Board			IC7500	51-05862Z01	NJM2845DL1-33-TE1NE5
MAIN2F-P.W.Board			IC7501	51-02248Z01	BD9781HFP-TR -NEA
MAIN2F-P.W.Board			IC7502	51-12158Z01	S-1132B18-M5T1G -CP
MAIN2F-P.W.Board			IC7503	51-15224Z01	MFI341S2313 -SE2
MAIN2F-P.W.Board			IC7504	51-11433Z01	RT9702AGB -CP
MAIN2F-P.W.Board			IC7505	51-04231Z01	WM8725GED/RV -SE5
MAIN2F-P.W.Board			IC7506	51-11501Z01	HY57V641620FTP-HI-ST
MAIN2F-P.W.Board			IC7507	51-10941Z01	TCC8600 -QT
MAIN2F-P.W.Board			IC7508	83-16494Z17	V1.192_EPF
MAIN2F-P.W.Board			IC7509	51T25576W07	NJM4580V-TE2 -SE2
MAIN2F-P.W.Board			IC7510	51T15185Y02	TC7SH08FU,JF-L -CP
MAIN2F-P.W.Board			L5500	24-06212Z02	FBI,BLM15AG102SH1-CP
MAIN2F-P.W.Board			L6500	24-05496Z03	IND,SLF12575-H68RMEA
MAIN2F-P.W.Board			L6501	24-05496Z04	IND,SLF12575-H101MEA

Mark Model Code

#1 INA-W900

\$1 IVA-NAV-10

Others:Common.

NOTE:The part that has not PART NUMBER will not be supplied.

P.W.Board	MIS	MODEL	Ref.	Parts No.	Parts Name
MAIN2F-P.W.Board			L7001	24T95456W12	FBI,BLM18AG102SH1-CP
MAIN2F-P.W.Board			L7002	24T65689Y01	FBI,FBMJ2125HS420-CP
MAIN2F-P.W.Board			L7003	24T65689Y01	FBI,FBMJ2125HS420-CP
MAIN2F-P.W.Board			L7004	24T65689Y01	FBI,FBMJ2125HS420-CP
MAIN2F-P.W.Board			L7005	24T95456W27	FBI,BLM18PG181SH1-CP
MAIN2F-P.W.Board			L7007	24T65689Y01	FBI,FBMJ2125HS420-CP
MAIN2F-P.W.Board			L7200	24T95456W12	FBI,BLM18AG102SH1-CP
MAIN2F-P.W.Board			L7201	24T95456W12	FBI,BLM18AG102SH1-CP
MAIN2F-P.W.Board			L7502	24-06212Z02	FBI,BLM15AG102SH1-CP
MAIN2F-P.W.Board			L7503	24T95456W27	FBI,BLM18PG181SH1-CP
MAIN2F-P.W.Board			L7504	24T95456W27	FBI,BLM18PG181SH1-CP
MAIN2F-P.W.Board			L7505	24T95456W27	FBI,BLM18PG181SH1-CP
MAIN2F-P.W.Board			L7506	24-06212Z02	FBI,BLM15AG102SH1-CP
MAIN2F-P.W.Board			L7670	24-05496Z03	IND,SLF12575-H68RMEA
MAIN2F-P.W.Board			LD6500	48-15702Z01	LED,BLU SCM015BC7TCP
MAIN2F-P.W.Board			LD6501	48-15702Z01	LED,BLU SCM015BC7TCP
MAIN2F-P.W.Board			Q5500	48-02302Z01	TR,XP0331100L -CP
MAIN2F-P.W.Board			Q5501	48-07987Z02	TR,UNR5112J-TX -CP
MAIN2F-P.W.Board			Q5502	48-09581Z03	TR,KTA1505S-Y-RTK-CP
MAIN2F-P.W.Board			Q5503	48-07989Z02	TR,UNR5212J-TX -CP
MAIN2F-P.W.Board			Q6001	48-11159Z01	TR,2SA2122G0L-TX -CP
MAIN2F-P.W.Board			Q6002	48T25317Y01	TR,XN0F256-TX -CP
MAIN2F-P.W.Board			Q6500	48T75180Y01	TR,IMH1A-T110 -CP
MAIN2F-P.W.Board			Q6501	48-07989Z04	TR,UNR5214J-TX -CP
MAIN2F-P.W.Board			Q6502	48-09581Z03	TR,KTA1505S-Y-RTK-CP
MAIN2F-P.W.Board			Q6503	48-07989Z03	TR,UNR5213J-TX -CP
MAIN2F-P.W.Board			Q6504	48-02302Z02	TR,XP0331200L -CP
MAIN2F-P.W.Board			Q6505	48-02302Z01	TR,XP0331100L -CP
MAIN2F-P.W.Board			Q6507	48T65619Y01	FET,HN1K06FU-85L -CP
MAIN2F-P.W.Board			Q7001	48-11159Z01	TR,2SA2122G0L-TX -CP
MAIN2F-P.W.Board			Q7200	48-11159Z01	TR,2SA2122G0L-TX -CP
MAIN2F-P.W.Board			Q7201	48-11159Z01	TR,2SA2122G0L-TX -CP
MAIN2F-P.W.Board			Q7500	48-09581Z03	TR,KTA1505S-Y-RTK-CP
MAIN2F-P.W.Board			Q7501	48-07989Z04	TR,UNR5214J-TX -CP
MAIN2F-P.W.Board			Q7507	48-02302Z02	TR,XP0331200L -CP
MAIN2F-P.W.Board			Q7670	48-12536Z02	TR,XP0121200-L -CP
MAIN2F-P.W.Board			Q7671	48-07989Z03	TR,UNR5213J-TX -CP
MAIN2F-P.W.Board			Q7672	48-07989Z03	TR,UNR5213J-TX -CP
MAIN2F-P.W.Board			Q7673	48-07987Z01	TR,UNR5111J-TX -CP
MAIN2F-P.W.Board			Q7674	48-02302Z01	TR,XP0331100L -CP
MAIN2F-P.W.Board			R5000	06S15615Y25	RES,RK 101J 1/16 -CP
MAIN2F-P.W.Board			R5001	06S15615Y25	RES,RK 101J 1/16 -CP

Mark Model Code

#1 INA-W900

\$1 IVA-NAV-10

Others:Common.

NOTE:The part that has not PART NUMBER will not be supplied.

P.W.Board	MIS	MODEL	Ref.	Parts No.	Parts Name
MAIN2F-P.W.Board			R5002	06S15593Y77	RES,RK 153F 1/10 -CP
MAIN2F-P.W.Board			R5003	06S15615Y81	RES,RK 223J 1/16 -CP
MAIN2F-P.W.Board			R5004	06S15615Y25	RES,RK 101J 1/16 -CP
MAIN2F-P.W.Board			R5005	06S15615Y25	RES,RK 101J 1/16 -CP
MAIN2F-P.W.Board			R5006	06S15615Y25	RES,RK 101J 1/16 -CP
MAIN2F-P.W.Board			R5007	06S15615Y25	RES,RK 101J 1/16 -CP
MAIN2F-P.W.Board			R5008	06S15615Y25	RES,RK 101J 1/16 -CP
MAIN2F-P.W.Board			R5009	06S15615Y25	RES,RK 101J 1/16 -CP
MAIN2F-P.W.Board			R5010	06S15615Y49	RES,RK 102J 1/16 -CP
MAIN2F-P.W.Board			R5011	06S15615Y25	RES,RK 101J 1/16 -CP
MAIN2F-P.W.Board			R5012	06S15615Y25	RES,RK 101J 1/16 -CP
MAIN2F-P.W.Board			R5013	06S15615Y25	RES,RK 101J 1/16 -CP
MAIN2F-P.W.Board			R5014	06S15615Y25	RES,RK 101J 1/16 -CP
MAIN2F-P.W.Board			R5015	06S15615Y25	RES,RK 101J 1/16 -CP
MAIN2F-P.W.Board			R5016	06S15615Y25	RES,RK 101J 1/16 -CP
MAIN2F-P.W.Board			R5017	06S15615Y25	RES,RK 101J 1/16 -CP
MAIN2F-P.W.Board			R5018	06S15615Y25	RES,RK 101J 1/16 -CP
MAIN2F-P.W.Board			R5019	06S15615Y25	RES,RK 101J 1/16 -CP
MAIN2F-P.W.Board			R5020	06S15615Y25	RES,RK 101J 1/16 -CP
MAIN2F-P.W.Board			R5021	06S15615Y25	RES,RK 101J 1/16 -CP
MAIN2F-P.W.Board			R5022	06S15615Y25	RES,RK 101J 1/16 -CP
MAIN2F-P.W.Board			R5023	06S15615Y25	RES,RK 101J 1/16 -CP
MAIN2F-P.W.Board			R5024	06S15615Y25	RES,RK 101J 1/16 -CP
MAIN2F-P.W.Board			R5025	06S15615Y25	RES,RK 101J 1/16 -CP
MAIN2F-P.W.Board			R5026	06S15615Y25	RES,RK 101J 1/16 -CP
MAIN2F-P.W.Board			R5027	06S15615Y25	RES,RK 101J 1/16 -CP
MAIN2F-P.W.Board			R5028	06S15615Y25	RES,RK 101J 1/16 -CP
MAIN2F-P.W.Board			R5029	06S15615Y25	RES,RK 101J 1/16 -CP
MAIN2F-P.W.Board			R5030	06S15615Y25	RES,RK 101J 1/16 -CP
MAIN2F-P.W.Board			R5032	06S15615Y25	RES,RK 101J 1/16 -CP
MAIN2F-P.W.Board			R5033	06S15615Y25	RES,RK 101J 1/16 -CP
MAIN2F-P.W.Board			R5034	06S15615Y25	RES,RK 101J 1/16 -CP
MAIN2F-P.W.Board			R5035	06S15615Y25	RES,RK 101J 1/16 -CP
MAIN2F-P.W.Board			R5036	06S15615Y25	RES,RK 101J 1/16 -CP
MAIN2F-P.W.Board			R5037	06S15615Y25	RES,RK 101J 1/16 -CP
MAIN2F-P.W.Board			R5038	06S15615Y25	RES,RK 101J 1/16 -CP
MAIN2F-P.W.Board			R5039	06S15615Y85	RES,RK 333J 1/16 -CP
MAIN2F-P.W.Board			R5040	06S15615Y25	RES,RK 101J 1/16 -CP
MAIN2F-P.W.Board			R5041	06S15615Y25	RES,RK 101J 1/16 -CP
MAIN2F-P.W.Board			R5042	06S15615Y25	RES,RK 101J 1/16 -CP
MAIN2F-P.W.Board			R5043	06S15615Y25	RES,RK 101J 1/16 -CP
MAIN2F-P.W.Board			R5044	06S15615Y25	RES,RK 101J 1/16 -CP

Mark Model Code

#1 INA-W900

\$1 IVA-NAV-10

Others:Common.

NOTE:The part that has not PART NUMBER will not be supplied.

P.W.Board	MIS	MODEL	Ref.	Parts No.	Parts Name
MAIN2F-P.W.Board			R5045	06S15615Y25	RES,RK 101J 1/16 -CP
MAIN2F-P.W.Board			R5046	06S15615Y25	RES,RK 101J 1/16 -CP
MAIN2F-P.W.Board			R5047	06S15615Y25	RES,RK 101J 1/16 -CP
MAIN2F-P.W.Board			R5048	06S15615Y25	RES,RK 101J 1/16 -CP
MAIN2F-P.W.Board			R5049	06S15615Y25	RES,RK 101J 1/16 -CP
MAIN2F-P.W.Board			R5050	06S15615Y25	RES,RK 101J 1/16 -CP
MAIN2F-P.W.Board			R5051	06S15615Y25	RES,RK 101J 1/16 -CP
MAIN2F-P.W.Board			R5052	06S15615Y25	RES,RK 101J 1/16 -CP
MAIN2F-P.W.Board			R5053	06S15615Y25	RES,RK 101J 1/16 -CP
MAIN2F-P.W.Board			R5054	06S15615Y25	RES,RK 101J 1/16 -CP
MAIN2F-P.W.Board			R5055	06S15615Y25	RES,RK 101J 1/16 -CP
MAIN2F-P.W.Board			R5057	06S15615Y25	RES,RK 101J 1/16 -CP
MAIN2F-P.W.Board			R5058	06S15615Y25	RES,RK 101J 1/16 -CP
MAIN2F-P.W.Board			R5059	06S15615Y66	RES,RK 512J 1/16 -CP
MAIN2F-P.W.Board			R5060	06S15615Y25	RES,RK 101J 1/16 -CP
MAIN2F-P.W.Board			R5061	06S15615Y81	RES,RK 223J 1/16 -CP
MAIN2F-P.W.Board			R5062	06S15615Y81	RES,RK 223J 1/16 -CP
MAIN2F-P.W.Board			R5063	06S15615Y25	RES,RK 101J 1/16 -CP
MAIN2F-P.W.Board			R5067	06S15615Y25	RES,RK 101J 1/16 -CP
MAIN2F-P.W.Board			R5070	06S15615Y25	RES,RK 101J 1/16 -CP
MAIN2F-P.W.Board			R5071	06S15615Y25	RES,RK 101J 1/16 -CP
MAIN2F-P.W.Board			R5072	06S15615Y25	RES,RK 101J 1/16 -CP
MAIN2F-P.W.Board			R5073	06S15615Y25	RES,RK 101J 1/16 -CP
MAIN2F-P.W.Board			R5078	06S15615Y49	RES,RK 102J 1/16 -CP
MAIN2F-P.W.Board			R5079	06S15615Y25	RES,RK 101J 1/16 -CP
MAIN2F-P.W.Board			R5080	06S15615Y57	RES,RK 222J 1/16 -CP
MAIN2F-P.W.Board			R5081	06S15615Y57	RES,RK 222J 1/16 -CP
MAIN2F-P.W.Board			R5087	06S15615Y25	RES,RK 101J 1/16 -CP
MAIN2F-P.W.Board			R5097	06S15615Y25	RES,RK 101J 1/16 -CP
MAIN2F-P.W.Board			R5101	06S15615Y67	RES,RK 562J 1/16 -CP
MAIN2F-P.W.Board			R5102	06S15615Y67	RES,RK 562J 1/16 -CP
MAIN2F-P.W.Board			R5103	06S15615Y49	RES,RK 102J 1/16 -CP
MAIN2F-P.W.Board			R5109	06S15615Y25	RES,RK 101J 1/16 -CP
MAIN2F-P.W.Board			R5112	06S15615Y25	RES,RK 101J 1/16 -CP
MAIN2F-P.W.Board			R5113	06S15615Y25	RES,RK 101J 1/16 -CP
MAIN2F-P.W.Board			R5116	06S15593Y81	RES,RK 223F 1/10 -CP
MAIN2F-P.W.Board			R5120	06S15615Y81	RES,RK 223J 1/16 -CP
MAIN2F-P.W.Board			R5121	06S15615Y73	RES,RK 103J 1/16 -CP
MAIN2F-P.W.Board			R5122	06S15615Y73	RES,RK 103J 1/16 -CP
MAIN2F-P.W.Board			R5123	06S15615Y89	RES,RK 473J 1/16 -CP
MAIN2F-P.W.Board			R5124	06S15615Y89	RES,RK 473J 1/16 -CP
MAIN2F-P.W.Board			R5125	06S15615Y25	RES,RK 101J 1/16 -CP

Mark Model Code

#1 INA-W900

\$1 IVA-NAV-10

Others:Common.

NOTE:The part that has not PART NUMBER will not be supplied.

P.W.Board	MIS	MODEL	Ref.	Parts No.	Parts Name
MAIN2F-P.W.Board			R5127	06S15615Y81	RES,RK 223J 1/16 -CP
MAIN2F-P.W.Board			R5128	06S15615Y81	RES,RK 223J 1/16 -CP
MAIN2F-P.W.Board			R5129	06S15615Y81	RES,RK 223J 1/16 -CP
MAIN2F-P.W.Board			R5130	06S15594Y22	RES,RK 105F 1/10 -CP
MAIN2F-P.W.Board			R5132	06S15594Y04	RES,RK 184F 1/10 -CP
MAIN2F-P.W.Board			R5135	06S15593Y96	RES,RK 913F 1/10 -CP
MAIN2F-P.W.Board			R5137	06S15616Y23	RES,RK JUMPER1/16-CP
MAIN2F-P.W.Board			R5142	06S15615Y81	RES,RK 223J 1/16 -CP
MAIN2F-P.W.Board		#1	R5170	06S45675W43	RES,RK JUMPER1/10-CP
MAIN2F-P.W.Board		#1	R5171	06S45675W43	RES,RK JUMPER1/10-CP
MAIN2F-P.W.Board		\$1	R5172	06S45675W43	RES,RK JUMPER1/10-CP
MAIN2F-P.W.Board		\$1	R5173	06S45675W43	RES,RK JUMPER1/10-CP
MAIN2F-P.W.Board			R5228	06S15615Y81	RES,RK 223J 1/16 -CP
MAIN2F-P.W.Board			R5500	06S45674W77	RES,RK 682J 1/10 -CP
MAIN2F-P.W.Board			R5501	06S15615Y65	RES,RK 472J 1/16 -CP
MAIN2F-P.W.Board			R5502	06S15615Y65	RES,RK 472J 1/16 -CP
MAIN2F-P.W.Board			R5503	06S15615Y89	RES,RK 473J 1/16 -CP
MAIN2F-P.W.Board			R5504	06S15615Y89	RES,RK 473J 1/16 -CP
MAIN2F-P.W.Board			R5505	06S70072F05	RES,CP .10R-J-1/4-CP
MAIN2F-P.W.Board			R5506	06S70072F05	RES,CP .10R-J-1/4-CP
MAIN2F-P.W.Board			R5507	06S70072F34	RES,CP .161-J-1/4-CP
MAIN2F-P.W.Board			R5508	06S70072F34	RES,CP .161-J-1/4-CP
MAIN2F-P.W.Board			R5509	06S70072F34	RES,CP .161-J-1/4-CP
MAIN2F-P.W.Board			R5510	06S70072F34	RES,CP .161-J-1/4-CP
MAIN2F-P.W.Board			R5511	06S45674W61	RES,RK 152J 1/10 -CP
MAIN2F-P.W.Board			R5512	06S45674W61	RES,RK 152J 1/10 -CP
MAIN2F-P.W.Board			R5513	06S45674W65	RES,RK 222J 1/10 -CP
MAIN2F-P.W.Board			R5514	06S45674W65	RES,RK 222J 1/10 -CP
MAIN2F-P.W.Board			R5515	06S15615Y65	RES,RK 472J 1/16 -CP
MAIN2F-P.W.Board			R5516	06S15615Y65	RES,RK 472J 1/16 -CP
MAIN2F-P.W.Board			R5517	06S15615Y65	RES,RK 472J 1/16 -CP
MAIN2F-P.W.Board			R5518	06S15615Y65	RES,RK 472J 1/16 -CP
MAIN2F-P.W.Board			R5519	06S15615Y57	RES,RK 222J 1/16 -CP
MAIN2F-P.W.Board			R5520	06S15615Y89	RES,RK 473J 1/16 -CP
MAIN2F-P.W.Board			R5522	06S15615Y81	RES,RK 223J 1/16 -CP
MAIN2F-P.W.Board			R5600	06S15615Y25	RES,RK 101J 1/16 -CP
MAIN2F-P.W.Board			R5601	06S15615Y25	RES,RK 101J 1/16 -CP
MAIN2F-P.W.Board			R5602	06S15616Y23	RES,RK JUMPER1/16-CP
MAIN2F-P.W.Board			R5603	06S15616Y23	RES,RK JUMPER1/16-CP
MAIN2F-P.W.Board			R6000	06S15615Y27	RES,RK 121J 1/16 -CP
MAIN2F-P.W.Board			R6002	06S15615Y27	RES,RK 121J 1/16 -CP
MAIN2F-P.W.Board			R6008	06S15593Y25	RES,RK 101F 1/10 -CP

Mark Model Code

#1 INA-W900

\$1 IVA-NAV-10

Others:Common.

NOTE:The part that has not PART NUMBER will not be supplied.

P.W.Board	MIS	MODEL	Ref.	Parts No.	Parts Name
MAIN2F-P.W.Board			R6009	06S70072F39	RES,CP .271-J-1/4-CP
MAIN2F-P.W.Board			R6010	06S70072F25	RES,CP .68R-J-1/4-CP
MAIN2F-P.W.Board			R6011	06S15615Y91	RES,RK 563J 1/16 -CP
MAIN2F-P.W.Board			R6012	06S15615Y91	RES,RK 563J 1/16 -CP
MAIN2F-P.W.Board			R6013	06S64995F37	RES,RK 221J 1/8 -CP
MAIN2F-P.W.Board			R6014	06S64995F37	RES,RK 221J 1/8 -CP
MAIN2F-P.W.Board			R6015	06S64995F29	RES,RK 101J 1/8 -CP
MAIN2F-P.W.Board			R6016	06S64995F29	RES,RK 101J 1/8 -CP
MAIN2F-P.W.Board			R6017	06S15615Y25	RES,RK 101J 1/16 -CP
MAIN2F-P.W.Board			R6018	06S15615Y25	RES,RK 101J 1/16 -CP
MAIN2F-P.W.Board			R6019	06S70072F18	RES,CP .36R-J-1/4-CP
MAIN2F-P.W.Board			R6020	06S70072F19	RES,CP .39R-J-1/4-CP
MAIN2F-P.W.Board			R6022	06S15616Y23	RES,RK JUMPER1/16-CP
MAIN2F-P.W.Board			R6025	06S70072F29	RES,CP .101-J-1/4-CP
MAIN2F-P.W.Board			R6026	06S70072F29	RES,CP .101-J-1/4-CP
MAIN2F-P.W.Board			R6027	06S15616Y22	RES,RK 105J 1/16 -CP
MAIN2F-P.W.Board			R6028	06S15616Y22	RES,RK 105J 1/16 -CP
MAIN2F-P.W.Board			R6029	06S15616Y22	RES,RK 105J 1/16 -CP
MAIN2F-P.W.Board			R6030	06S35083Y25	RES,RK 102F 1/4 -CP
MAIN2F-P.W.Board			R6033	06S35083Y25	RES,RK 102F 1/4 -CP
MAIN2F-P.W.Board			R6034	06S35083Y25	RES,RK 102F 1/4 -CP
MAIN2F-P.W.Board			R6035	06S35083Y25	RES,RK 102F 1/4 -CP
MAIN2F-P.W.Board			R6036	06S35083Y25	RES,RK 102F 1/4 -CP
MAIN2F-P.W.Board			R6037	06S35083Y25	RES,RK 102F 1/4 -CP
MAIN2F-P.W.Board			R6038	06S35083Y25	RES,RK 102F 1/4 -CP
MAIN2F-P.W.Board			R6039	06S35083Y25	RES,RK 102F 1/4 -CP
MAIN2F-P.W.Board			R6042	06S70072F29	RES,CP .101-J-1/4-CP
MAIN2F-P.W.Board			R6043	06S70072F29	RES,CP .101-J-1/4-CP
MAIN2F-P.W.Board			R6046	06S70072F29	RES,CP .101-J-1/4-CP
MAIN2F-P.W.Board			R6047	06S70072F29	RES,CP .101-J-1/4-CP
MAIN2F-P.W.Board			R6500	06S15593Y89	RES,RK 473F 1/10 -CP
MAIN2F-P.W.Board			R6502	06S15593Y33	RES,RK 221F 1/10 -CP
MAIN2F-P.W.Board			R6503	06S15593Y81	RES,RK 223F 1/10 -CP
MAIN2F-P.W.Board			R6504	06S15593Y77	RES,RK 153F 1/10 -CP
MAIN2F-P.W.Board			R6505	06S15615Y97	RES,RK 104J 1/16 -CP
MAIN2F-P.W.Board			R6506	06S15616Y23	RES,RK JUMPER1/16-CP
MAIN2F-P.W.Board			R6507	06S70072F53	RES,CP .102-J-1/4-CP
MAIN2F-P.W.Board			R6508	06S15593Y41	RES,RK 471F 1/10 -CP
MAIN2F-P.W.Board			R6509	06S15615Y82	RES,RK 243J 1/16 -CP
MAIN2F-P.W.Board			R6510	06S15615Y47	RES,RK 821J 1/16 -CP
MAIN2F-P.W.Board			R6513	06S15615Y86	RES,RK 363J 1/16 -CP
MAIN2F-P.W.Board			R6514	06S15593Y29	RES,RK 151F 1/10 -CP

Mark Model Code

#1 INA-W900

\$1 IVA-NAV-10

Others:Common.

NOTE:The part that has not PART NUMBER will not be supplied.

P.W.Board	MIS	MODEL	Ref.	Parts No.	Parts Name
MAIN2F-P.W.Board			R6515	06S15593Y27	RES,RK 121F 1/10 -CP
MAIN2F-P.W.Board			R6516	06S15593Y80	RES,RK 203F 1/10 -CP
MAIN2F-P.W.Board			R6517	06S15593Y80	RES,RK 203F 1/10 -CP
MAIN2F-P.W.Board			R6518	06S15593Y69	RES,RK 682F 1/10 -CP
MAIN2F-P.W.Board			R6519	06S15593Y92	RES,RK 623F 1/10 -CP
MAIN2F-P.W.Board			R6520	06S15593Y34	RES,RK 241F 1/10 -CP
MAIN2F-P.W.Board			R6521	06S15593Y57	RES,RK 222F 1/10 -CP
MAIN2F-P.W.Board			R6522	06S15615Y90	RES,RK 513J 1/16 -CP
MAIN2F-P.W.Board			R6523	06S70072F40	RES,CP .301-J-1/4-CP
MAIN2F-P.W.Board			R6524	06S15615Y25	RES,RK 101J 1/16 -CP
MAIN2F-P.W.Board			R6525	06S15615Y25	RES,RK 101J 1/16 -CP
MAIN2F-P.W.Board			R6526	06S15593Y87	RES,RK 393F 1/10 -CP
MAIN2F-P.W.Board			R6527	06S15593Y65	RES,RK 472F 1/10 -CP
MAIN2F-P.W.Board			R6528	06S15593Y65	RES,RK 472F 1/10 -CP
MAIN2F-P.W.Board			R6530	06S15594Y06	RES,RK 224F 1/10 -CP
MAIN2F-P.W.Board			R6531	06S15593Y70	RES,RK 752F 1/10 -CP
MAIN2F-P.W.Board			R6532	06S45674W09	RES,RK 10RJ 1/10 -CP
MAIN2F-P.W.Board			R6533	06S45674W09	RES,RK 10RJ 1/10 -CP
MAIN2F-P.W.Board			R6534	06S15615Y77	RES,RK 153J 1/16 -CP
MAIN2F-P.W.Board			R6535	06S15593Y95	RES,RK 823F 1/10 -CP
MAIN2F-P.W.Board			R6536	06S15593Y66	RES,RK 512F 1/10 -CP
MAIN2F-P.W.Board			R6537	06S15615Y89	RES,RK 473J 1/16 -CP
MAIN2F-P.W.Board			R6538	06S15593Y46	RES,RK 751F 1/10 -CP
MAIN2F-P.W.Board			R6539	06S45348Y31	RES,RK 224F 1/4 -CP
MAIN2F-P.W.Board			R6540	06S15593Y52	RES,RK 132F 1/10 -CP
MAIN2F-P.W.Board			R6541	06S15615Y79	RES,RK 183J 1/16 -CP
MAIN2F-P.W.Board			R6545	06S15593Y89	RES,RK 473F 1/10 -CP
MAIN2F-P.W.Board			R6546	06S15593Y89	RES,RK 473F 1/10 -CP
MAIN2F-P.W.Board			R6548	06S15593Y87	RES,RK 393F 1/10 -CP
MAIN2F-P.W.Board			R6549	06S15593Y73	RES,RK 103F 1/10 -CP
MAIN2F-P.W.Board			R6550	06S45674W55	RES,RK 821J 1/10 -CP
MAIN2F-P.W.Board			R6551	06S45674W55	RES,RK 821J 1/10 -CP
MAIN2F-P.W.Board			R6552	06S45674W57	RES,RK 102J 1/10 -CP
MAIN2F-P.W.Board			R6553	06S45674W57	RES,RK 102J 1/10 -CP
MAIN2F-P.W.Board			R6554	06S15593Y89	RES,RK 473F 1/10 -CP
MAIN2F-P.W.Board			R6555	06S15593Y95	RES,RK 823F 1/10 -CP
MAIN2F-P.W.Board			R6556	06S15593Y95	RES,RK 823F 1/10 -CP
MAIN2F-P.W.Board			R6557	06S70072F78	RES,CP .2R2-J-1/4-CP
MAIN2F-P.W.Board			R6558	06S70072F78	RES,CP .2R2-J-1/4-CP
MAIN2F-P.W.Board			R6559	06S70072F78	RES,CP .2R2-J-1/4-CP
MAIN2F-P.W.Board			R6560	06S70072F78	RES,CP .2R2-J-1/4-CP
MAIN2F-P.W.Board			R7000	06S15615Y13	RES,RK 33RJ 1/16 -CP

Mark Model Code

#1 INA-W900

\$1 IVA-NAV-10

Others:Common.

NOTE:The part that has not PART NUMBER will not be supplied.

P.W.Board	MIS	MODEL	Ref.	Parts No.	Parts Name
MAIN2F-P.W.Board			R7001	06S45674W45	RES,RK 331J 1/10 -CP
MAIN2F-P.W.Board			R7002	06S45674W45	RES,RK 331J 1/10 -CP
MAIN2F-P.W.Board			R7003	06S15615Y13	RES,RK 33RJ 1/16 -CP
MAIN2F-P.W.Board			R7004	06S15615Y25	RES,RK 101J 1/16 -CP
MAIN2F-P.W.Board			R7005	06S45674W17	RES,RK 22RJ 1/10 -CP
MAIN2F-P.W.Board			R7006	06S15615Y81	RES,RK 223J 1/16 -CP
MAIN2F-P.W.Board			R7007	06S15615Y09	RES,RK 22RJ 1/16 -CP
MAIN2F-P.W.Board			R7008	06S15615Y25	RES,RK 101J 1/16 -CP
MAIN2F-P.W.Board			R7009	06S15615Y13	RES,RK 33RJ 1/16 -CP
MAIN2F-P.W.Board			R7010	06S15615Y09	RES,RK 22RJ 1/16 -CP
MAIN2F-P.W.Board			R7011	06S15615Y13	RES,RK 33RJ 1/16 -CP
MAIN2F-P.W.Board			R7012	06S15615Y13	RES,RK 33RJ 1/16 -CP
MAIN2F-P.W.Board			R7013	06S15615Y13	RES,RK 33RJ 1/16 -CP
MAIN2F-P.W.Board			R7014	06S15615Y13	RES,RK 33RJ 1/16 -CP
MAIN2F-P.W.Board			R7015	06S15615Y13	RES,RK 33RJ 1/16 -CP
MAIN2F-P.W.Board			R7016	06S15615Y13	RES,RK 33RJ 1/16 -CP
MAIN2F-P.W.Board			R7017	06S15593Y79	RES,RK 183F 1/10 -CP
MAIN2F-P.W.Board			R7018	06S15593Y81	RES,RK 223F 1/10 -CP
MAIN2F-P.W.Board			R7019	06S15593Y81	RES,RK 223F 1/10 -CP
MAIN2F-P.W.Board			R7020	06S15593Y79	RES,RK 183F 1/10 -CP
MAIN2F-P.W.Board			R7023	06S15593Y72	RES,RK 912F 1/10 -CP
MAIN2F-P.W.Board			R7024	06S15593Y72	RES,RK 912F 1/10 -CP
MAIN2F-P.W.Board			R7025	06S15593Y66	RES,RK 512F 1/10 -CP
MAIN2F-P.W.Board			R7026	06S15593Y66	RES,RK 512F 1/10 -CP
MAIN2F-P.W.Board			R7027	06S15593Y69	RES,RK 682F 1/10 -CP
MAIN2F-P.W.Board			R7028	06S15593Y69	RES,RK 682F 1/10 -CP
MAIN2F-P.W.Board			R7029	06S15616Y23	RES,RK JUMPER1/16-CP
MAIN2F-P.W.Board			R7030	06S15616Y23	RES,RK JUMPER1/16-CP
MAIN2F-P.W.Board			R7032	06S15593Y57	RES,RK 222F 1/10 -CP
MAIN2F-P.W.Board			R7033	06S15593Y57	RES,RK 222F 1/10 -CP
MAIN2F-P.W.Board			R7034	06S15593Y69	RES,RK 682F 1/10 -CP
MAIN2F-P.W.Board			R7035	06S15593Y69	RES,RK 682F 1/10 -CP
MAIN2F-P.W.Board			R7036	06S15593Y69	RES,RK 682F 1/10 -CP
MAIN2F-P.W.Board			R7037	06S15593Y69	RES,RK 682F 1/10 -CP
MAIN2F-P.W.Board			R7038	06S15616Y23	RES,RK JUMPER1/16-CP
MAIN2F-P.W.Board			R7040	06S15616Y23	RES,RK JUMPER1/16-CP
MAIN2F-P.W.Board			R7200	06S45674W45	RES,RK 331J 1/10 -CP
MAIN2F-P.W.Board			R7201	06S45674W45	RES,RK 331J 1/10 -CP
MAIN2F-P.W.Board			R7202	06S45674W17	RES,RK 22RJ 1/10 -CP
MAIN2F-P.W.Board			R7203	06S45674W17	RES,RK 22RJ 1/10 -CP
MAIN2F-P.W.Board			R7204	06S15616Y23	RES,RK JUMPER1/16-CP
MAIN2F-P.W.Board			R7205	06S15616Y23	RES,RK JUMPER1/16-CP

Mark Model Code

#1 INA-W900

\$1 IVA-NAV-10

Others:Common.

NOTE:The part that has not PART NUMBER will not be supplied.

P.W.Board	MIS	MODEL	Ref.	Parts No.	Parts Name
MAIN2F-P.W.Board			R7206	06S45674W45	RES,RK 331J 1/10 -CP
MAIN2F-P.W.Board			R7207	06S45674W45	RES,RK 331J 1/10 -CP
MAIN2F-P.W.Board			R7208	06S15616Y23	RES,RK JUMPER1/16-CP
MAIN2F-P.W.Board			R7500	06S70072F35	RES,CP .181-J-1/4-CP
MAIN2F-P.W.Board			R7502	06S15615Y47	RES,RK 821J 1/16 -CP
MAIN2F-P.W.Board			R7503	06S15615Y82	RES,RK 243J 1/16 -CP
MAIN2F-P.W.Board			R7504	06S70072F35	RES,CP .181-J-1/4-CP
MAIN2F-P.W.Board			R7507	06S45674W57	RES,RK 102J 1/10 -CP
MAIN2F-P.W.Board			R7508	06S15615Y73	RES,RK 103J 1/16 -CP
MAIN2F-P.W.Board			R7509	06S15615Y73	RES,RK 103J 1/16 -CP
MAIN2F-P.W.Board			R7510	06S15616Y23	RES,RK JUMPER1/16-CP
MAIN2F-P.W.Board			R7512	06S15615Y25	RES,RK 101J 1/16 -CP
MAIN2F-P.W.Board			R7513	06S15615Y25	RES,RK 101J 1/16 -CP
MAIN2F-P.W.Board			R7515	06S15615Y73	RES,RK 103J 1/16 -CP
MAIN2F-P.W.Board			R7516	06S15616Y23	RES,RK JUMPER1/16-CP
MAIN2F-P.W.Board			R7518	06S45674W39	RES,RK 181J 1/10 -CP
MAIN2F-P.W.Board			R7520	06S15615Y91	RES,RK 563J 1/16 -CP
MAIN2F-P.W.Board			R7522	06S15615Y13	RES,RK 33RJ 1/16 -CP
MAIN2F-P.W.Board			R7523	06S15615Y13	RES,RK 33RJ 1/16 -CP
MAIN2F-P.W.Board			R7524	06S15615Y13	RES,RK 33RJ 1/16 -CP
MAIN2F-P.W.Board			R7525	06S15615Y13	RES,RK 33RJ 1/16 -CP
MAIN2F-P.W.Board			R7526	06S15615Y13	RES,RK 33RJ 1/16 -CP
MAIN2F-P.W.Board			R7527	06S15615Y13	RES,RK 33RJ 1/16 -CP
MAIN2F-P.W.Board			R7528	06S15615Y13	RES,RK 33RJ 1/16 -CP
MAIN2F-P.W.Board			R7529	06S15615Y13	RES,RK 33RJ 1/16 -CP
MAIN2F-P.W.Board			R7530	06S15615Y13	RES,RK 33RJ 1/16 -CP
MAIN2F-P.W.Board			R7531	06S15615Y13	RES,RK 33RJ 1/16 -CP
MAIN2F-P.W.Board			R7532	06S15615Y13	RES,RK 33RJ 1/16 -CP
MAIN2F-P.W.Board			R7533	06S15615Y13	RES,RK 33RJ 1/16 -CP
MAIN2F-P.W.Board			R7534	06S15615Y13	RES,RK 33RJ 1/16 -CP
MAIN2F-P.W.Board			R7535	06S15615Y13	RES,RK 33RJ 1/16 -CP
MAIN2F-P.W.Board			R7536	06S15615Y13	RES,RK 33RJ 1/16 -CP
MAIN2F-P.W.Board			R7537	06S15615Y13	RES,RK 33RJ 1/16 -CP
MAIN2F-P.W.Board			R7538	06S15593Y73	RES,RK 103F 1/10 -CP
MAIN2F-P.W.Board			R7540	06S15615Y25	RES,RK 101J 1/16 -CP
MAIN2F-P.W.Board			R7541	06S15615Y25	RES,RK 101J 1/16 -CP
MAIN2F-P.W.Board			R7542	06S15615Y25	RES,RK 101J 1/16 -CP
MAIN2F-P.W.Board			R7543	06S15593Y72	RES,RK 912F 1/10 -CP
MAIN2F-P.W.Board			R7544	06S15593Y72	RES,RK 912F 1/10 -CP
MAIN2F-P.W.Board			R7545	06S15593Y73	RES,RK 103F 1/10 -CP
MAIN2F-P.W.Board			R7546	06S15593Y57	RES,RK 222F 1/10 -CP
MAIN2F-P.W.Board			R7547	06S15593Y57	RES,RK 222F 1/10 -CP

Mark Model Code

#1 INA-W900

\$1 IVA-NAV-10

Others:Common.

NOTE:The part that has not PART NUMBER will not be supplied.

P.W.Board	MIS	MODEL	Ref.	Parts No.	Parts Name
MAIN2F-P.W.Board			R7548	06S15593Y50	RES,RK 112F 1/10 -CP
MAIN2F-P.W.Board			R7549	06S15593Y50	RES,RK 112F 1/10 -CP
MAIN2F-P.W.Board			R7550	06S45674W25	RES,RK 47RJ 1/10 -CP
MAIN2F-P.W.Board			R7551	06S45674W25	RES,RK 47RJ 1/10 -CP
MAIN2F-P.W.Board			R7554	06S15593Y73	RES,RK 103F 1/10 -CP
MAIN2F-P.W.Board			R7555	06S15615Y65	RES,RK 472J 1/16 -CP
MAIN2F-P.W.Board			R7556	06S15615Y65	RES,RK 472J 1/16 -CP
MAIN2F-P.W.Board			R7557	06S15615Y65	RES,RK 472J 1/16 -CP
MAIN2F-P.W.Board			R7558	06S15615Y81	RES,RK 223J 1/16 -CP
MAIN2F-P.W.Board			R7559	06S15615Y25	RES,RK 101J 1/16 -CP
MAIN2F-P.W.Board			R7560	06S15615Y49	RES,RK 102J 1/16 -CP
MAIN2F-P.W.Board			R7561	06S15615Y25	RES,RK 101J 1/16 -CP
MAIN2F-P.W.Board			R7563	06S15615Y25	RES,RK 101J 1/16 -CP
MAIN2F-P.W.Board			R7564	06S15615Y25	RES,RK 101J 1/16 -CP
MAIN2F-P.W.Board			R7565	06S15615Y81	RES,RK 223J 1/16 -CP
MAIN2F-P.W.Board			R7566	06S15593Y73	RES,RK 103F 1/10 -CP
MAIN2F-P.W.Board			R7567	06S15593Y73	RES,RK 103F 1/10 -CP
MAIN2F-P.W.Board			R7569	06S15616Y23	RES,RK JUMPER1/16-CP
MAIN2F-P.W.Board			R7572	06S15615Y65	RES,RK 472J 1/16 -CP
MAIN2F-P.W.Board			R7575	06S15615Y25	RES,RK 101J 1/16 -CP
MAIN2F-P.W.Board			R7576	06S15615Y25	RES,RK 101J 1/16 -CP
MAIN2F-P.W.Board			R7579	06S15615Y25	RES,RK 101J 1/16 -CP
MAIN2F-P.W.Board			R7582	06S15615Y77	RES,RK 153J 1/16 -CP
MAIN2F-P.W.Board			R7583	06S15615Y77	RES,RK 153J 1/16 -CP
MAIN2F-P.W.Board			R7585	06S15615Y13	RES,RK 33RJ 1/16 -CP
MAIN2F-P.W.Board			R7592	06S15615Y13	RES,RK 33RJ 1/16 -CP
MAIN2F-P.W.Board			R7593	06S15615Y13	RES,RK 33RJ 1/16 -CP
MAIN2F-P.W.Board			R7599	06S15615Y13	RES,RK 33RJ 1/16 -CP
MAIN2F-P.W.Board			R7600	06S15615Y13	RES,RK 33RJ 1/16 -CP
MAIN2F-P.W.Board			R7601	06S15615Y13	RES,RK 33RJ 1/16 -CP
MAIN2F-P.W.Board			R7602	06S15615Y13	RES,RK 33RJ 1/16 -CP
MAIN2F-P.W.Board			R7603	06S15615Y13	RES,RK 33RJ 1/16 -CP
MAIN2F-P.W.Board			R7604	06S15615Y13	RES,RK 33RJ 1/16 -CP
MAIN2F-P.W.Board			R7605	06S15615Y13	RES,RK 33RJ 1/16 -CP
MAIN2F-P.W.Board			R7606	06S15615Y13	RES,RK 33RJ 1/16 -CP
MAIN2F-P.W.Board			R7607	06S15615Y13	RES,RK 33RJ 1/16 -CP
MAIN2F-P.W.Board			R7608	06S15615Y13	RES,RK 33RJ 1/16 -CP
MAIN2F-P.W.Board			R7609	06S15615Y13	RES,RK 33RJ 1/16 -CP
MAIN2F-P.W.Board			R7610	06S15615Y13	RES,RK 33RJ 1/16 -CP
MAIN2F-P.W.Board			R7611	06S15615Y13	RES,RK 33RJ 1/16 -CP
MAIN2F-P.W.Board			R7612	06S15615Y13	RES,RK 33RJ 1/16 -CP
MAIN2F-P.W.Board			R7613	06S15615Y13	RES,RK 33RJ 1/16 -CP

Mark Model Code

#1 INA-W900

\$1 IVA-NAV-10

Others:Common.

NOTE:The part that has not PART NUMBER will not be supplied.

P.W.Board	MIS	MODEL	Ref.	Parts No.	Parts Name
MAIN2F-P.W.Board			R7616	06S15615Y25	RES,RK 101J 1/16 -CP
MAIN2F-P.W.Board			R7617	06S15616Y40	RES,RK 565J 1/16 -CP
MAIN2F-P.W.Board			R7618	06S70072F17	RES,CP .33R-J-1/4-CP
MAIN2F-P.W.Board			R7619	06S70072F17	RES,CP .33R-J-1/4-CP
MAIN2F-P.W.Board			R7621	06S15615Y89	RES,RK 473J 1/16 -CP
MAIN2F-P.W.Board			R7624	06S15593Y88	RES,RK 433F 1/10 -CP
MAIN2F-P.W.Board			R7625	06S15593Y88	RES,RK 433F 1/10 -CP
MAIN2F-P.W.Board			R7627	06S15593Y72	RES,RK 912F 1/10 -CP
MAIN2F-P.W.Board			R7628	06S15593Y72	RES,RK 912F 1/10 -CP
MAIN2F-P.W.Board			R7631	06S15615Y25	RES,RK 101J 1/16 -CP
MAIN2F-P.W.Board			R7632	06S15615Y25	RES,RK 101J 1/16 -CP
MAIN2F-P.W.Board			R7633	06S15615Y25	RES,RK 101J 1/16 -CP
MAIN2F-P.W.Board			R7634	06S15615Y25	RES,RK 101J 1/16 -CP
MAIN2F-P.W.Board			R7635	06S15615Y25	RES,RK 101J 1/16 -CP
MAIN2F-P.W.Board			R7636	06S15615Y25	RES,RK 101J 1/16 -CP
MAIN2F-P.W.Board			R7642	06S15593Y73	RES,RK 103F 1/10 -CP
MAIN2F-P.W.Board			R7647	06S15615Y77	RES,RK 153J 1/16 -CP
MAIN2F-P.W.Board			R7648	06S15615Y77	RES,RK 153J 1/16 -CP
MAIN2F-P.W.Board			R7650	06S15615Y89	RES,RK 473J 1/16 -CP
MAIN2F-P.W.Board			R7652	06S15615Y65	RES,RK 472J 1/16 -CP
MAIN2F-P.W.Board			R7653	06S15615Y65	RES,RK 472J 1/16 -CP
MAIN2F-P.W.Board			R7654	06S15615Y65	RES,RK 472J 1/16 -CP
MAIN2F-P.W.Board			R7655	06S15615Y65	RES,RK 472J 1/16 -CP
MAIN2F-P.W.Board			R7656	06S15615Y65	RES,RK 472J 1/16 -CP
MAIN2F-P.W.Board			R7657	06S15615Y65	RES,RK 472J 1/16 -CP
MAIN2F-P.W.Board			R7660	06S15615Y65	RES,RK 472J 1/16 -CP
MAIN2F-P.W.Board			R7661	06S15615Y65	RES,RK 472J 1/16 -CP
MAIN2F-P.W.Board			R7662	06S15615Y65	RES,RK 472J 1/16 -CP
MAIN2F-P.W.Board			R7663	06S15615Y65	RES,RK 472J 1/16 -CP
MAIN2F-P.W.Board			R7664	06S15615Y65	RES,RK 472J 1/16 -CP
MAIN2F-P.W.Board			R7665	06S15615Y65	RES,RK 472J 1/16 -CP
MAIN2F-P.W.Board			R7666	06S15615Y65	RES,RK 472J 1/16 -CP
MAIN2F-P.W.Board			R7667	06S15615Y65	RES,RK 472J 1/16 -CP
MAIN2F-P.W.Board			R7668	06S15615Y25	RES,RK 101J 1/16 -CP
MAIN2F-P.W.Board			R7670	06S15615Y65	RES,RK 472J 1/16 -CP
MAIN2F-P.W.Board			R7671	06S15615Y65	RES,RK 472J 1/16 -CP
MAIN2F-P.W.Board			R7672	06S15615Y65	RES,RK 472J 1/16 -CP
MAIN2F-P.W.Board			R7673	06S70072F73	RES,CP .682-J-1/4-CP
MAIN2F-P.W.Board			R7674	06S15594Y03	RES,RK 164F 1/10 -CP
MAIN2F-P.W.Board			R7675	06S15593Y50	RES,RK 112F 1/10 -CP
MAIN2F-P.W.Board			R7676	06S15593Y97	RES,RK 104F 1/10 -CP
MAIN2F-P.W.Board			R7677	06S15593Y87	RES,RK 393F 1/10 -CP

Mark Model Code

#1 INA-W900

\$1 IVA-NAV-10

Others:Common.

NOTE:The part that has not PART NUMBER will not be supplied.

P.W.Board	MIS	MODEL	Ref.	Parts No.	Parts Name
MAIN2F-P.W.Board			R7678	06S15593Y73	RES,RK 103F 1/10 -CP
MAIN2F-P.W.Board			R7680	06S15594Y14	RES,RK 474F 1/10 -CP
MAIN2F-P.W.Board			R7681	06S15593Y99	RES,RK 124F 1/10 -CP
MAIN2F-P.W.Board			R7683	06S15594Y06	RES,RK 224F 1/10 -CP
MAIN2F-P.W.Board			R7684	06S15615Y25	RES,RK 101J 1/16 -CP
MAIN2F-P.W.Board			R7685	06S15593Y55	RES,RK 182F 1/10 -CP
MAIN2F-P.W.Board			R7686	06S15615Y81	RES,RK 223J 1/16 -CP
MAIN2F-P.W.Board			R7687	06S15615Y81	RES,RK 223J 1/16 -CP
MAIN2F-P.W.Board			R7688	06S15615Y81	RES,RK 223J 1/16 -CP
MAIN2F-P.W.Board			R7699	06S15615Y25	RES,RK 101J 1/16 -CP
MAIN2F-P.W.Board			SD5000	48-16710Z01	DIO,SHT RB530S-30-CP
MAIN2F-P.W.Board			SD5001	48-16710Z01	DIO,SHT RB530S-30-CP
MAIN2F-P.W.Board			SD6500	48-13903Z01	DIO,SHT RB055L-40-E1
MAIN2F-P.W.Board			SD6501	48-13903Z01	DIO,SHT RB055L-40-E1
MAIN2F-P.W.Board			SD7670	48-13903Z01	DIO,SHT RB055L-40-E1
MAIN2F-P.W.Board			SD7671	48-13903Z01	DIO,SHT RB055L-40-E1
MAIN2F-P.W.Board			XL5000	91-16024Z04	XTL,AT-41CD2 5.00-E9
MAIN2F-P.W.Board			XL5001	91-16093Z01	XTL,NX3215SA 32.7-E1
MAIN2F-P.W.Board			XL5500	91-16024Z03	XTL,AT-41CD2 4.00-E9
MAIN2F-P.W.Board			XL7500	91-15988Z02	XTL,NX3225GA 12.0-CP
MAIN2F-P.W.Board			Z5000	91T75196Y19	EMI,BK1005LL220 -CP
MAIN2F-P.W.Board			Z7000	91T15509Y10	EMI,BK1608LL121 -CP
MAIN2F-P.W.Board			Z7001	91T15509Y10	EMI,BK1608LL121 -CP
MAIN2F-P.W.Board			Z7500	91T65123Y02	EMI,DLW21SN900SQ2-CP
MAIN2F-P.W.Board			ZD5500	48-11191Z23	DIO,ZEN MAZ8056GM-CP
MAIN2F-P.W.Board			ZD5501	48T35392Y06	DIO,ZEN RLZ7.5A -CP
MAIN2F-P.W.Board			ZD5502	48T35392Y06	DIO,ZEN RLZ7.5A -CP
MAIN2F-P.W.Board			ZD6000	48-12488Z01	DIO,ZEN MAZ9062H -CP
MAIN2F-P.W.Board			ZD6001	48-12488Z01	DIO,ZEN MAZ9062H -CP
MAIN2F-P.W.Board			ZD6002	48-12488Z01	DIO,ZEN MAZ9062H -CP
MAIN2F-P.W.Board			ZD7500	48-11191Z20	DIO,ZEN MAZ8051GM-CP
MAIN2F-P.W.Board			ZD7501	48-11191Z20	DIO,ZEN MAZ8051GM-CP
MAIN3F-P.W.Board			C1142	08S45676W80	CAP,CER 223K-B1E -CP
MAIN3F-P.W.Board			C1143	08S45676W80	CAP,CER 223K-B1E -CP
MAIN3F-P.W.Board			C1161	08S45677W60	CAP,CER 102J-CH1H-CP
MAIN3F-P.W.Board			C1162	08S35350Y04	CAP,CER 105K-B1C -CP
MAIN3F-P.W.Board			C1163	08S45676W80	CAP,CER 223K-B1E -CP
MAIN3F-P.W.Board			C1170	08S45676W85	CAP,CER 104K-B1C -CP
MAIN3F-P.W.Board			C1171	08S45676W85	CAP,CER 104K-B1C -CP
MAIN3F-P.W.Board			C1172	08S45676W73	CAP,CER.103K-B1H -CP
MAIN3F-P.W.Board			C1173	08S45676W85	CAP,CER 104K-B1C -CP
MAIN3F-P.W.Board			C1174	08S35350Y04	CAP,CER 105K-B1C -CP



Mark Model Code

#1 INA-W900

\$1 IVA-NAV-10

Others:Common.

NOTE:The part that has not PART NUMBER will not be supplied.

P.W.Board	MIS	MODEL	Ref.	Parts No.	Parts Name
MAIN3F-P.W.Board			C1175	08S35350Y04	CAP,CER 105K-B1C -CP
MAIN3F-P.W.Board			C1176	08S35350Y04	CAP,CER 105K-B1C -CP
MAIN3F-P.W.Board			C1177	08S35350Y04	CAP,CER 105K-B1C -CP
MAIN3F-P.W.Board			C1600	08S45676W85	CAP,CER 104K-B1C -CP
MAIN3F-P.W.Board			C1610	08S45676W80	CAP,CER 223K-B1E -CP
MAIN3F-P.W.Board			C1630	08S45676W73	CAP,CER.103K-B1H -CP
MAIN3F-P.W.Board			C1631	08S45676W85	CAP,CER 104K-B1C -CP
MAIN3F-P.W.Board			C1632	08S45676W65	CAP,CER.222K-B1H -CP
MAIN3F-P.W.Board			C1633	08S45676W80	CAP,CER 223K-B1E -CP
MAIN3F-P.W.Board			C1640	08S45676W80	CAP,CER 223K-B1E -CP
MAIN3F-P.W.Board			C1641	08S45676W80	CAP,CER 223K-B1E -CP
MAIN3F-P.W.Board			C1642	08S45676W80	CAP,CER 223K-B1E -CP
MAIN3F-P.W.Board			C1644	08S45676W80	CAP,CER 223K-B1E -CP
MAIN3F-P.W.Board			C1650	08S65674Y05	CAP,CER 105KX5R1C-CP
MAIN3F-P.W.Board			C1651	08S65669Y03	CAP,CER 224KX7R1H-CP
MAIN3F-P.W.Board			C1661	08T65463Y02	CAP,CER 334K-B1H -CP
MAIN3F-P.W.Board			C1681	08S45677W60	CAP,CER 102J-CH1H-CP
MAIN3F-P.W.Board			C1682	08S45677W60	CAP,CER 102J-CH1H-CP
MAIN3F-P.W.Board			C1683	08S45677W60	CAP,CER 102J-CH1H-CP
MAIN3F-P.W.Board			CB1160	09-05087Z20	FFC,IMSA9632S-40Y-EQ
MAIN3F-P.W.Board			CB1200	09-11887Z01	FFC,FH28D-68S-0.5-EZ
MAIN3F-P.W.Board			CB1620	09-05987Z04	WTB,BM05B-PASS-TFTEA
MAIN3F-P.W.Board			CB1621	09-16658Z02	WTB,A2001WV2-3P -DB
MAIN3F-P.W.Board			CB1650	09T25436Y02	WTB,53253-0270 -DB
MAIN3F-P.W.Board			CB1651	09T25436Y02	WTB,53253-0270 -DB
MAIN3F-P.W.Board			CB1670	09-14579Z02	WTB,S06B-PASK-2 -DB
MAIN3F-P.W.Board			D1160	48-07015Z01	DIO,KDS160-RTK -CP
MAIN3F-P.W.Board			D1610	48-07016Z02	DIO,KDS184-RTK -CP
MAIN3F-P.W.Board			D1630	48-07016Z02	DIO,KDS184-RTK -CP
MAIN3F-P.W.Board			D1660	48T75527Y01	DIO,1SR154-400 -E1
MAIN3F-P.W.Board			DIN1160	09T15462Y05	DIN,TCS7729-019117DB
MAIN3F-P.W.Board			E1161	23S65134W31	CAP,ELY 10R-1C(4)-E2
MAIN3F-P.W.Board			E1165	23S65134W22	CAP,ELY 47R-1A(6)-E6
MAIN3F-P.W.Board			E1166	23S65134W15	CAP,ELY 331-0J(8)-E6
MAIN3F-P.W.Board			E1660	23S65134W36	CAP,ELY 221-1C(8)-EA
MAIN3F-P.W.Board			F1160	65T75477Y05	FUSE,CCP2E 1.0A -CP
MAIN3F-P.W.Board			F1161	65T75477Y13	FUSE,CCP2E 4.0A -CP
MAIN3F-P.W.Board			IC1141	51T15185Y02	TC7SH08FU,JF-L -CP
MAIN3F-P.W.Board			IC1160	51-11419Z01	74HC4066PW,118 -SE2
MAIN3F-P.W.Board			IC1162	51T15549Y01	NJM2286V-TE1 -SE2
MAIN3F-P.W.Board			IC1630	51T93532F05	TC4S01F-TE85L -CP
MAIN3F-P.W.Board			IC1631	51T15185Y02	TC7SH08FU,JF-L -CP

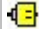
Mark Model Code

#1 INA-W900

\$1 IVA-NAV-10

Others:Common.

NOTE:The part that has not PART NUMBER will not be supplied.

P.W.Board	MIS	MODEL	Ref.	Parts No.	Parts Name
MAIN3F-P.W.Board			IC1641	51-11440Z01	74HC4051PW,118 -SE2
MAIN3F-P.W.Board			IC1642	51T15194Y02	TC74VHCT08AFT,K -SE5
MAIN3F-P.W.Board			IC1643	51-09596Z01	KIC7WZ08FK-RTK -CP
MAIN3F-P.W.Board			IC1660	51-02830Z01	BA7810HFP -NEA
MAIN3F-P.W.Board			JK1680	09-12459Z01	JAC,HSJ1765-011075EA
MAIN3F-P.W.Board			Q1160	48-02302Z02	TR,XP0331200L -CP
MAIN3F-P.W.Board			Q1161	48T73023F01	TR ,2SD874A -E2
MAIN3F-P.W.Board			Q1162	48-07989Z02	TR,UNR5212J-TX -CP
MAIN3F-P.W.Board			Q1600	48-07989Z11	TR,UNR521FJ-TX -CP
MAIN3F-P.W.Board			Q1610	48-07987Z13	TR,UNR511LJ-TX -CP
MAIN3F-P.W.Board			Q1630	48-07989Z01	TR,UNR5211J-TX -CP
MAIN3F-P.W.Board			Q1631	48-11159Z01	TR,2SA2122G0L-TX -CP
MAIN3F-P.W.Board			Q1650	48-02302Z01	TR,XP0331100L -CP
MAIN3F-P.W.Board			Q1651	48T73023F01	TR ,2SD874A -E2
MAIN3F-P.W.Board			R1144	06S15593Y89	RES,RK 473F 1/10 -CP
MAIN3F-P.W.Board			R1145	06S15616Y23	RES,RK JUMPER1/16-CP
MAIN3F-P.W.Board			R1146	06S15616Y23	RES,RK JUMPER1/16-CP
MAIN3F-P.W.Board			R1160	06S70072F53	RES,CP .102-J-1/4-CP
MAIN3F-P.W.Board			R1161	06S70072F53	RES,CP .102-J-1/4-CP
MAIN3F-P.W.Board			R1162	06S70072F53	RES,CP .102-J-1/4-CP
MAIN3F-P.W.Board			R1163	06S70072F53	RES,CP .102-J-1/4-CP
MAIN3F-P.W.Board			R1164	06S70072F53	RES,CP .102-J-1/4-CP
MAIN3F-P.W.Board			R1165	06S70072F53	RES,CP .102-J-1/4-CP
MAIN3F-P.W.Board			R1166	06S70072F47	RES,CP .561-J-1/4-CP
MAIN3F-P.W.Board		#1	R1167	06S45675W43	RES,RK JUMPER1/10-CP
MAIN3F-P.W.Board			R1170	06S70072F78	RES,CP .2R2-J-1/4-CP
MAIN3F-P.W.Board			R1179	06S15616Y23	RES,RK JUMPER1/16-CP
MAIN3F-P.W.Board			R1184	06S70072F18	RES,CP .36R-J-1/4-CP
MAIN3F-P.W.Board			R1185	06S70072F18	RES,CP .36R-J-1/4-CP
MAIN3F-P.W.Board			R1186	06S70072F18	RES,CP .36R-J-1/4-CP
MAIN3F-P.W.Board			R1187	06S70072F19	RES,CP .39R-J-1/4-CP
MAIN3F-P.W.Board			R1188	06S70072F19	RES,CP .39R-J-1/4-CP
MAIN3F-P.W.Board			R1189	06S70072F19	RES,CP .39R-J-1/4-CP
MAIN3F-P.W.Board			R1190	06S15616Y22	RES,RK 105J 1/16 -CP
MAIN3F-P.W.Board			R1191	06S15616Y22	RES,RK 105J 1/16 -CP
MAIN3F-P.W.Board			R1192	06S15616Y22	RES,RK 105J 1/16 -CP
MAIN3F-P.W.Board			R1193	06S15616Y22	RES,RK 105J 1/16 -CP
MAIN3F-P.W.Board			R1194	06S15616Y22	RES,RK 105J 1/16 -CP
MAIN3F-P.W.Board			R1195	06S15616Y22	RES,RK 105J 1/16 -CP
MAIN3F-P.W.Board			R1197	06S15593Y97	RES,RK 104F 1/10 -CP
MAIN3F-P.W.Board			R1198	06S15615Y25	RES,RK 101J 1/16 -CP
MAIN3F-P.W.Board		\$1	R1199	06S45675W43	RES,RK JUMPER1/10-CP

Mark Model Code

#1 INA-W900

\$1 IVA-NAV-10

Others:Common.

NOTE:The part that has not PART NUMBER will not be supplied.

P.W.Board	MIS	MODEL	Ref.	Parts No.	Parts Name
MAIN3F-P.W.Board		#1	R1200	06S45675W43	RES,RK JUMPER1/10-CP
MAIN3F-P.W.Board		\$1	R1201	06S45675W43	RES,RK JUMPER1/10-CP
MAIN3F-P.W.Board			R1202	06S15615Y25	RES,RK 101J 1/16 -CP
MAIN3F-P.W.Board			R1213	06S15615Y73	RES,RK 103J 1/16 -CP
MAIN3F-P.W.Board			R1214	06S70072F53	RES,CP .102-J-1/4-CP
MAIN3F-P.W.Board			R1215	06S70072F53	RES,CP .102-J-1/4-CP
MAIN3F-P.W.Board			R1216	06S15593Y89	RES,RK 473F 1/10 -CP
MAIN3F-P.W.Board			R1217	06S15593Y89	RES,RK 473F 1/10 -CP
MAIN3F-P.W.Board			R1600	06S70072F77	RES,CP .103-J-1/4-CP
MAIN3F-P.W.Board			R1601	06S15615Y89	RES,RK 473J 1/16 -CP
MAIN3F-P.W.Board			R1610	06S15615Y81	RES,RK 223J 1/16 -CP
MAIN3F-P.W.Board			R1611	06S15615Y74	RES,RK 113J 1/16 -CP
MAIN3F-P.W.Board			R1620	06S70072F53	RES,CP .102-J-1/4-CP
MAIN3F-P.W.Board			R1621	06S70072F53	RES,CP .102-J-1/4-CP
MAIN3F-P.W.Board			R1622	06S70072F53	RES,CP .102-J-1/4-CP
MAIN3F-P.W.Board			R1623	06S70072F77	RES,CP .103-J-1/4-CP
MAIN3F-P.W.Board			R1624	06S70072F53	RES,CP .102-J-1/4-CP
MAIN3F-P.W.Board			R1630	06S15615Y81	RES,RK 223J 1/16 -CP
MAIN3F-P.W.Board			R1631	06S15615Y81	RES,RK 223J 1/16 -CP
MAIN3F-P.W.Board			R1632	06S15616Y14	RES,RK 474J 1/16 -CP
MAIN3F-P.W.Board			R1633	06S15615Y49	RES,RK 102J 1/16 -CP
MAIN3F-P.W.Board			R1634	06S15615Y61	RES,RK 332J 1/16 -CP
MAIN3F-P.W.Board			R1635	06S15615Y57	RES,RK 222J 1/16 -CP
MAIN3F-P.W.Board			R1640	06S15615Y81	RES,RK 223J 1/16 -CP
MAIN3F-P.W.Board			R1643	06S15615Y25	RES,RK 101J 1/16 -CP
MAIN3F-P.W.Board			R1644	06S15615Y89	RES,RK 473J 1/16 -CP
MAIN3F-P.W.Board			R1645	06S15615Y25	RES,RK 101J 1/16 -CP
MAIN3F-P.W.Board			R1650	06S70072F47	RES,CP .561-J-1/4-CP
MAIN3F-P.W.Board			R1651	06S70072F78	RES,CP .2R2-J-1/4-CP
MAIN3F-P.W.Board			R1652	06S70072F05	RES,CP .10R-J-1/4-CP
MAIN3F-P.W.Board			R1660	06S15593Y41	RES,RK 471F 1/10 -CP
MAIN3F-P.W.Board			R1661	06S15593Y73	RES,RK 103F 1/10 -CP
MAIN3F-P.W.Board			R1662	06S45675W19	RES,RK 364J 1/10 -CP
MAIN3F-P.W.Board			R1663	06S15593Y57	RES,RK 222F 1/10 -CP
MAIN3F-P.W.Board			R1680	06S70072F18	RES,CP .36R-J-1/4-CP
MAIN3F-P.W.Board			R1681	06S70072F19	RES,CP .39R-J-1/4-CP
MAIN3F-P.W.Board			R4067	06S70072F18	RES,CP .36R-J-1/4-CP
MAIN3F-P.W.Board			R4068	06S70072F19	RES,CP .39R-J-1/4-CP
MAIN3F-P.W.Board			ZD1161	48-11191Z36	DIO,ZEN MAZ8082GH-CP
MAIN3F-P.W.Board			ZD1168	48-11191Z23	DIO,ZEN MAZ8056GM-CP
MAIN3F-P.W.Board			ZD1169	48-11191Z23	DIO,ZEN MAZ8056GM-CP
MAIN3F-P.W.Board			ZD1170	48-11191Z23	DIO,ZEN MAZ8056GM-CP

Mark Model Code

#1 INA-W900

\$1 IVA-NAV-10

Others:Common.

NOTE:The part that has not PART NUMBER will not be supplied.

P.W.Board	MIS	MODEL	Ref.	Parts No.	Parts Name
MAIN3F-P.W.Board			ZD1171	48-11191Z23	DIO,ZEN MAZ8056GM-CP
MAIN3F-P.W.Board			ZD1620	48-11191Z24	DIO,ZEN MAZ8056GH-CP
MAIN3F-P.W.Board			ZD1621	48-11191Z24	DIO,ZEN MAZ8056GH-CP
MAIN3F-P.W.Board			ZD1622	48-11191Z24	DIO,ZEN MAZ8056GH-CP
MAIN3F-P.W.Board			ZD1623	48-11191Z24	DIO,ZEN MAZ8056GH-CP
MAIN3F-P.W.Board			ZD1650	48-11191Z42	DIO,ZEN MAZ8100GH-CP
FRONT-P.W.Board			C8001	08S45676W80	CAP,CER 223K-B1E -CP
FRONT-P.W.Board			C8002	08S45677W18	CAP,CER.18RJ-CH1H-CP
FRONT-P.W.Board			C8003	08S45677W18	CAP,CER.18RJ-CH1H-CP
FRONT-P.W.Board			C8005	08S45677W60	CAP,CER 102J-CH1H-CP
FRONT-P.W.Board			C8007	08S45677W60	CAP,CER 102J-CH1H-CP
FRONT-P.W.Board			C8008	08S35374W11	CAP,CER 475K-B0J -CP
FRONT-P.W.Board			C8011	08S45232Y05	CAP,CER 102K-B1H -CP
FRONT-P.W.Board			C8014	08S45676W80	CAP,CER 223K-B1E -CP
FRONT-P.W.Board			C8015	08S45676W80	CAP,CER 223K-B1E -CP
FRONT-P.W.Board			C8016	08S45676W80	CAP,CER 223K-B1E -CP
FRONT-P.W.Board			C8017	08S45676W80	CAP,CER 223K-B1E -CP
FRONT-P.W.Board			C8152	08S45677W60	CAP,CER 102J-CH1H-CP
FRONT-P.W.Board			C8201	08S45676W85	CAP,CER 104K-B1C -CP
FRONT-P.W.Board			C8401	08S45232Y17	CAP,CER 104K-B0J -CP
FRONT-P.W.Board			C8402	08S45232Y17	CAP,CER 104K-B0J -CP
FRONT-P.W.Board			C8403	08S45232Y17	CAP,CER 104K-B0J -CP
FRONT-P.W.Board			C8404	08S45232Y17	CAP,CER 104K-B0J -CP
FRONT-P.W.Board			C8405	08S45232Y17	CAP,CER 104K-B0J -CP
FRONT-P.W.Board			C8406	08S45232Y17	CAP,CER 104K-B0J -CP
FRONT-P.W.Board			C8407	08S45232Y17	CAP,CER 104K-B0J -CP
FRONT-P.W.Board			C8408	08S45232Y17	CAP,CER 104K-B0J -CP
FRONT-P.W.Board			C8409	08S45231Y15	CAP,CER 15RJ-CH1H-CP
FRONT-P.W.Board			C8410	08S45231Y15	CAP,CER 15RJ-CH1H-CP
FRONT-P.W.Board			C8411	08S45232Y11	CAP,CER 103K-B1C -CP
FRONT-P.W.Board			C8412	08S45676W85	CAP,CER 104K-B1C -CP
FRONT-P.W.Board			C8413	08S45676W85	CAP,CER 104K-B1C -CP
FRONT-P.W.Board			C8414	08S45676W85	CAP,CER 104K-B1C -CP
FRONT-P.W.Board			C8415	08S45676W85	CAP,CER 104K-B1C -CP
FRONT-P.W.Board			C8416	08S45676W85	CAP,CER 104K-B1C -CP
FRONT-P.W.Board			C8417	08S45676W85	CAP,CER 104K-B1C -CP
FRONT-P.W.Board			C8418	08S45676W85	CAP,CER 104K-B1C -CP
FRONT-P.W.Board			C8420	08S45676W85	CAP,CER 104K-B1C -CP
FRONT-P.W.Board			C8421	08S35374W12	CAP,CER 106K-B0J -CP
FRONT-P.W.Board			C8422	08S35374W12	CAP,CER 106K-B0J -CP
FRONT-P.W.Board			C8423	08S35374W12	CAP,CER 106K-B0J -CP
FRONT-P.W.Board			C8424	08S35374W12	CAP,CER 106K-B0J -CP

Mark Model Code

#1 INA-W900

\$1 IVA-NAV-10

Others:Common.

NOTE:The part that has not PART NUMBER will not be supplied.

P.W.Board	MIS	MODEL	Ref.	Parts No.	Parts Name
FRONT-P.W.Board			C8425	08S65668Y03	CAP,CER 823KX5R1A-CP
FRONT-P.W.Board			C8426	08T65555Y01	CAP,CER 226K-BJ0J-CP
FRONT-P.W.Board			C8427	08T65555Y01	CAP,CER 226K-BJ0J-CP
FRONT-P.W.Board			C8428	08T65555Y01	CAP,CER 226K-BJ0J-CP
FRONT-P.W.Board			C8429	08T65555Y01	CAP,CER 226K-BJ0J-CP
FRONT-P.W.Board			C8430	08S45232Y17	CAP,CER 104K-B0J -CP
FRONT-P.W.Board			C8431	08S45232Y17	CAP,CER 104K-B0J -CP
FRONT-P.W.Board			C8432	08S45232Y17	CAP,CER 104K-B0J -CP
FRONT-P.W.Board			C8433	08S45232Y17	CAP,CER 104K-B0J -CP
FRONT-P.W.Board			C8434	08S45232Y17	CAP,CER 104K-B0J -CP
FRONT-P.W.Board			C8435	08S45232Y17	CAP,CER 104K-B0J -CP
FRONT-P.W.Board			C8436	08S45676W73	CAP,CER.103K-B1H -CP
FRONT-P.W.Board			C8437	08S45676W73	CAP,CER.103K-B1H -CP
FRONT-P.W.Board			C8501	08S65670Y01	CAP,CER 106KX5R1C-CP
FRONT-P.W.Board			C8502	08S35374W12	CAP,CER 106K-B0J -CP
FRONT-P.W.Board			C8503	08S45232Y17	CAP,CER 104K-B0J -CP
FRONT-P.W.Board			C8504	08S65670Y01	CAP,CER 106KX5R1C-CP
FRONT-P.W.Board			C8505	08S45232Y17	CAP,CER 104K-B0J -CP
FRONT-P.W.Board			C8506	08S45232Y17	CAP,CER 104K-B0J -CP
FRONT-P.W.Board			C8507	08S45232Y17	CAP,CER 104K-B0J -CP
FRONT-P.W.Board			C8508	08S45232Y17	CAP,CER 104K-B0J -CP
FRONT-P.W.Board			C8509	08S45232Y17	CAP,CER 104K-B0J -CP
FRONT-P.W.Board			C8510	08S45232Y17	CAP,CER 104K-B0J -CP
FRONT-P.W.Board			C8511	08S45232Y17	CAP,CER 104K-B0J -CP
FRONT-P.W.Board			C8512	08S45232Y17	CAP,CER 104K-B0J -CP
FRONT-P.W.Board			C8513	08S45232Y17	CAP,CER 104K-B0J -CP
FRONT-P.W.Board			C8514	08S45232Y17	CAP,CER 104K-B0J -CP
FRONT-P.W.Board			C8515	08S45232Y17	CAP,CER 104K-B0J -CP
FRONT-P.W.Board			C8516	08S45231Y08	CAP,CER 5R0C-CH1H-CP
FRONT-P.W.Board			C8517	08S45231Y08	CAP,CER 5R0C-CH1H-CP
FRONT-P.W.Board			C8518	08S45232Y17	CAP,CER 104K-B0J -CP
FRONT-P.W.Board			C8519	08S45232Y17	CAP,CER 104K-B0J -CP
FRONT-P.W.Board			C8522	08S45231Y17	CAP,CER 22RJ-CH1H-CP
FRONT-P.W.Board			C8523	08S45231Y17	CAP,CER 22RJ-CH1H-CP
FRONT-P.W.Board			C8524	08S45231Y17	CAP,CER 22RJ-CH1H-CP
FRONT-P.W.Board			C8525	08S45231Y17	CAP,CER 22RJ-CH1H-CP
FRONT-P.W.Board			C8526	08S45231Y17	CAP,CER 22RJ-CH1H-CP
FRONT-P.W.Board			C8527	08S45231Y17	CAP,CER 22RJ-CH1H-CP
FRONT-P.W.Board			C8528	08S45231Y17	CAP,CER 22RJ-CH1H-CP
FRONT-P.W.Board			C8529	08S45231Y17	CAP,CER 22RJ-CH1H-CP
FRONT-P.W.Board			C8530	08S45231Y17	CAP,CER 22RJ-CH1H-CP
FRONT-P.W.Board			C8531	08S45231Y17	CAP,CER 22RJ-CH1H-CP

Mark Model Code

#1 INA-W900

\$1 IVA-NAV-10

Others:Common.

NOTE:The part that has not PART NUMBER will not be supplied.

P.W.Board	MIS	MODEL	Ref.	Parts No.	Parts Name
FRONT-P.W.Board			C8532	08S45231Y17	CAP,CER 22RJ-CH1H-CP
FRONT-P.W.Board			C8533	08S45231Y17	CAP,CER 22RJ-CH1H-CP
FRONT-P.W.Board			C8534	08S45231Y17	CAP,CER 22RJ-CH1H-CP
FRONT-P.W.Board			C8535	08S45231Y17	CAP,CER 22RJ-CH1H-CP
FRONT-P.W.Board			C8536	08S45231Y17	CAP,CER 22RJ-CH1H-CP
FRONT-P.W.Board			C8537	08S45231Y17	CAP,CER 22RJ-CH1H-CP
FRONT-P.W.Board			C8538	08S45231Y17	CAP,CER 22RJ-CH1H-CP
FRONT-P.W.Board			C8539	08S45231Y17	CAP,CER 22RJ-CH1H-CP
FRONT-P.W.Board			C8571	08S45232Y17	CAP,CER 104K-B0J -CP
FRONT-P.W.Board			C8572	08S45232Y17	CAP,CER 104K-B0J -CP
FRONT-P.W.Board			C8573	08S45232Y17	CAP,CER 104K-B0J -CP
FRONT-P.W.Board			C8574	08S45232Y17	CAP,CER 104K-B0J -CP
FRONT-P.W.Board			C8575	08S45232Y17	CAP,CER 104K-B0J -CP
FRONT-P.W.Board			C8576	08S45232Y17	CAP,CER 104K-B0J -CP
FRONT-P.W.Board			C8577	08S45231Y25	CAP,CER 101J-CH1H-CP
FRONT-P.W.Board			C8578	08S45231Y25	CAP,CER 101J-CH1H-CP
FRONT-P.W.Board			C8579	08S45231Y25	CAP,CER 101J-CH1H-CP
FRONT-P.W.Board			C8580	08S45231Y25	CAP,CER 101J-CH1H-CP
FRONT-P.W.Board			C8581	08S45231Y25	CAP,CER 101J-CH1H-CP
FRONT-P.W.Board			C8582	08S45231Y25	CAP,CER 101J-CH1H-CP
FRONT-P.W.Board			C8583	08S45231Y25	CAP,CER 101J-CH1H-CP
FRONT-P.W.Board			C8584	08S45231Y25	CAP,CER 101J-CH1H-CP
FRONT-P.W.Board			C8585	08S45231Y25	CAP,CER 101J-CH1H-CP
FRONT-P.W.Board			C8586	08S45231Y25	CAP,CER 101J-CH1H-CP
FRONT-P.W.Board			C8587	08S45231Y25	CAP,CER 101J-CH1H-CP
FRONT-P.W.Board			C8588	08S45231Y25	CAP,CER 101J-CH1H-CP
FRONT-P.W.Board			C8589	08S45231Y25	CAP,CER 101J-CH1H-CP
FRONT-P.W.Board			C8590	08S45231Y25	CAP,CER 101J-CH1H-CP
FRONT-P.W.Board			C8591	08S45231Y25	CAP,CER 101J-CH1H-CP
FRONT-P.W.Board			C8592	08S45231Y25	CAP,CER 101J-CH1H-CP
FRONT-P.W.Board			C8593	08S45231Y25	CAP,CER 101J-CH1H-CP
FRONT-P.W.Board			C8594	08S45231Y25	CAP,CER 101J-CH1H-CP
FRONT-P.W.Board			C8601	08S45232Y17	CAP,CER 104K-B0J -CP
FRONT-P.W.Board			C8602	08S45232Y17	CAP,CER 104K-B0J -CP
FRONT-P.W.Board			C8603	08S45232Y11	CAP,CER 103K-B1C -CP
FRONT-P.W.Board			C8604	08S45232Y17	CAP,CER 104K-B0J -CP
FRONT-P.W.Board			C8605	08S45232Y17	CAP,CER 104K-B0J -CP
FRONT-P.W.Board			C8606	08S45232Y17	CAP,CER 104K-B0J -CP
FRONT-P.W.Board			C8607	08S45232Y17	CAP,CER 104K-B0J -CP
FRONT-P.W.Board			C8608	08S45232Y17	CAP,CER 104K-B0J -CP
FRONT-P.W.Board			C8609	08S45232Y17	CAP,CER 104K-B0J -CP
FRONT-P.W.Board			C8610	08S45232Y17	CAP,CER 104K-B0J -CP

Mark Model Code

#1 INA-W900

\$1 IVA-NAV-10

Others:Common.

NOTE:The part that has not PART NUMBER will not be supplied.

P.W.Board	MIS	MODEL	Ref.	Parts No.	Parts Name
FRONT-P.W.Board			C8611	08S45232Y17	CAP,CER 104K-B0J -CP
FRONT-P.W.Board			C8612	08S45232Y17	CAP,CER 104K-B0J -CP
FRONT-P.W.Board			C8613	08S35374W12	CAP,CER 106K-B0J -CP
FRONT-P.W.Board			C8614	08S65670Y01	CAP,CER 106KX5R1C-CP
FRONT-P.W.Board			C8615	08S65670Y01	CAP,CER 106KX5R1C-CP
FRONT-P.W.Board			C8616	08S45677W36	CAP,CER.101J-CH1H-CP
FRONT-P.W.Board			C8617	08S45677W36	CAP,CER.101J-CH1H-CP
FRONT-P.W.Board			C8701	08S45232Y17	CAP,CER 104K-B0J -CP
FRONT-P.W.Board			C8702	08S45232Y17	CAP,CER 104K-B0J -CP
FRONT-P.W.Board			C8703	08S45232Y17	CAP,CER 104K-B0J -CP
FRONT-P.W.Board			C8704	08S45232Y17	CAP,CER 104K-B0J -CP
FRONT-P.W.Board			C8705	08S45232Y17	CAP,CER 104K-B0J -CP
FRONT-P.W.Board			C8706	08S45232Y17	CAP,CER 104K-B0J -CP
FRONT-P.W.Board			C8707	08S45232Y17	CAP,CER 104K-B0J -CP
FRONT-P.W.Board			C8708	08S45232Y17	CAP,CER 104K-B0J -CP
FRONT-P.W.Board			C8709	08S45232Y17	CAP,CER 104K-B0J -CP
FRONT-P.W.Board			C8710	08S45232Y17	CAP,CER 104K-B0J -CP
FRONT-P.W.Board			C8711	08S45232Y17	CAP,CER 104K-B0J -CP
FRONT-P.W.Board			C8712	08S45232Y17	CAP,CER 104K-B0J -CP
FRONT-P.W.Board			C8713	08S45232Y17	CAP,CER 104K-B0J -CP
FRONT-P.W.Board			C8714	08S45232Y17	CAP,CER 104K-B0J -CP
FRONT-P.W.Board			C8715	08S45232Y17	CAP,CER 104K-B0J -CP
FRONT-P.W.Board			C8716	08S45232Y17	CAP,CER 104K-B0J -CP
FRONT-P.W.Board			C8717	08T65555Y01	CAP,CER 226K-BJ0J-CP
FRONT-P.W.Board			C8718	08T65555Y01	CAP,CER 226K-BJ0J-CP
FRONT-P.W.Board			C8719	08T65555Y01	CAP,CER 226K-BJ0J-CP
FRONT-P.W.Board			C8720	08S45231Y08	CAP,CER 5R0C-CH1H-CP
FRONT-P.W.Board			C8721	08S45231Y08	CAP,CER 5R0C-CH1H-CP
FRONT-P.W.Board			C8722	08S45232Y17	CAP,CER 104K-B0J -CP
FRONT-P.W.Board			C8723	08S45232Y17	CAP,CER 104K-B0J -CP
FRONT-P.W.Board			C8724	08S45232Y17	CAP,CER 104K-B0J -CP
FRONT-P.W.Board			C8801	08S65670Y06	CAP,CER 226KX5R1A-CP
FRONT-P.W.Board			C8803	08S35349Y21	CAP,CER 104K-B1H -CP
FRONT-P.W.Board			C8804	08S35349Y21	CAP,CER 104K-B1H -CP
FRONT-P.W.Board			C8805	08S35349Y21	CAP,CER 104K-B1H -CP
FRONT-P.W.Board			C8806	08S65677Y02	CAP,CER 475KX7R1E-CP
FRONT-P.W.Board			C8807	08S65676Y03	CAP,CER 225KX7R1C-CP
FRONT-P.W.Board			C8808	08S35350Y04	CAP,CER 105K-B1C -CP
FRONT-P.W.Board			C8809	08S35349Y21	CAP,CER 104K-B1H -CP
FRONT-P.W.Board			C8810	08S65670Y02	CAP,CER 225KX5R1E-CP
FRONT-P.W.Board			C8811	08S45231Y21	CAP,CER 47RJ-CH1H-CP
FRONT-P.W.Board			C8812	08S65670Y01	CAP,CER 106KX5R1C-CP

Mark Model Code

#1 INA-W900

\$1 IVA-NAV-10

Others:Common.

NOTE:The part that has not PART NUMBER will not be supplied.

P.W.Board	MIS	MODEL	Ref.	Parts No.	Parts Name
FRONT-P.W.Board			C8813	08S45676W85	CAP,CER 104K-B1C -CP
FRONT-P.W.Board			C8814	08S65670Y06	CAP,CER 226KX5R1A-CP
FRONT-P.W.Board			C8815	08S45676W75	CAP,CER.153K-B1H -CP
FRONT-P.W.Board			C8851	08S65670Y01	CAP,CER 106KX5R1C-CP
FRONT-P.W.Board			C8852	08S65670Y01	CAP,CER 106KX5R1C-CP
FRONT-P.W.Board			C8853	08S45676W80	CAP,CER 223K-B1E -CP
FRONT-P.W.Board			C8854	08S45676W80	CAP,CER 223K-B1E -CP
FRONT-P.W.Board			C8855	08S65670Y01	CAP,CER 106KX5R1C-CP
FRONT-P.W.Board			C8861	08S35349Y17	CAP,CER 225K-B0J -CP
FRONT-P.W.Board			C8862	08S45676W85	CAP,CER 104K-B1C -CP
FRONT-P.W.Board			C8872	08S65670Y01	CAP,CER 106KX5R1C-CP
FRONT-P.W.Board			C8873	08S65670Y01	CAP,CER 106KX5R1C-CP
FRONT-P.W.Board			C8874	08S45676W80	CAP,CER 223K-B1E -CP
FRONT-P.W.Board			C8875	08S45676W65	CAP,CER.222K-B1H -CP
FRONT-P.W.Board			C8882	08S65670Y01	CAP,CER 106KX5R1C-CP
FRONT-P.W.Board			C8883	08S65670Y01	CAP,CER 106KX5R1C-CP
FRONT-P.W.Board			C8884	08S45676W80	CAP,CER 223K-B1E -CP
FRONT-P.W.Board			C8885	08S45676W65	CAP,CER.222K-B1H -CP
FRONT-P.W.Board			C8891	08S65670Y01	CAP,CER 106KX5R1C-CP
FRONT-P.W.Board			C8892	08S65668Y04	CAP,CER 104KX5R1A-CP
FRONT-P.W.Board			C8893	08S65670Y01	CAP,CER 106KX5R1C-CP
FRONT-P.W.Board			C8901	08S35350Y04	CAP,CER 105K-B1C -CP
FRONT-P.W.Board			C8902	08S45676W85	CAP,CER 104K-B1C -CP
FRONT-P.W.Board			C8903	08S45676W85	CAP,CER 104K-B1C -CP
FRONT-P.W.Board			C8904	08S35350Y04	CAP,CER 105K-B1C -CP
FRONT-P.W.Board			C8905	08S45676W85	CAP,CER 104K-B1C -CP
FRONT-P.W.Board			C8906	08S65670Y01	CAP,CER 106KX5R1C-CP
FRONT-P.W.Board			C8951	08S65670Y01	CAP,CER 106KX5R1C-CP
FRONT-P.W.Board			C8952	08S45676W85	CAP,CER 104K-B1C -CP
FRONT-P.W.Board			C8953	08S65668Y04	CAP,CER 104KX5R1A-CP
FRONT-P.W.Board			C8954	08S65668Y04	CAP,CER 104KX5R1A-CP
FRONT-P.W.Board			C8955	08S65668Y04	CAP,CER 104KX5R1A-CP
FRONT-P.W.Board			C8956	08S65668Y04	CAP,CER 104KX5R1A-CP
FRONT-P.W.Board			C8957	08S65668Y04	CAP,CER 104KX5R1A-CP
FRONT-P.W.Board			C8958	08S65668Y04	CAP,CER 104KX5R1A-CP
FRONT-P.W.Board			C8959	08S65668Y04	CAP,CER 104KX5R1A-CP
FRONT-P.W.Board			C8960	08S65668Y04	CAP,CER 104KX5R1A-CP
FRONT-P.W.Board			C8961	08S65668Y04	CAP,CER 104KX5R1A-CP
FRONT-P.W.Board			C8963	08S45676W85	CAP,CER 104K-B1C -CP
FRONT-P.W.Board			C8981	08S45676W80	CAP,CER 223K-B1E -CP
FRONT-P.W.Board			C8982	08S65670Y01	CAP,CER 106KX5R1C-CP
FRONT-P.W.Board			C8983	08S45677W52	CAP,CER 471J-CH1H-CP

Mark Model Code

#1 INA-W900

\$1 IVA-NAV-10

Others:Common.

NOTE:The part that has not PART NUMBER will not be supplied.

P.W.Board	MIS	MODEL	Ref.	Parts No.	Parts Name
FRONT-P.W.Board			C8984	08S65670Y01	CAP,CER 106KX5R1C-CP
FRONT-P.W.Board			C8985	08S45676W85	CAP,CER 104K-B1C -CP
FRONT-P.W.Board			C8986	08S65670Y02	CAP,CER 225KX5R1E-CP
FRONT-P.W.Board			C8987	08S45676W85	CAP,CER 104K-B1C -CP
FRONT-P.W.Board			C8988	08S45232Y07	CAP,CER 222K-B1H -CP
FRONT-P.W.Board			C8989	08S45232Y07	CAP,CER 222K-B1H -CP
FRONT-P.W.Board			CB8001	09T25286Y07	WTB,BM07B-SRSS -E6
FRONT-P.W.Board			CB8101	09-09499Z02	FFC,FH28-60S-0.5 -EZ
FRONT-P.W.Board			CB8151	09-16473Z02	FFC,IMSA9685S-14Y-E9
FRONT-P.W.Board			CB8201	09-05209Z01	FFC,IMSA9617S-04Y-E9
FRONT-P.W.Board			CB8901	09-12780Z01	FFC,IMSA9637S-50Y-EQ
FRONT-P.W.Board			CB8981	09-06127Z02	WTB,S2B-PH-SM4-TB-E6
FRONT-P.W.Board			E8001	23T65679Y07	CAP,CD 82R-0G -E2
FRONT-P.W.Board			IC8001	83-16494Z16	V1.30BDAL902A_F_MP
FRONT-P.W.Board			IC8401	51-12283Z02	ADV7401WBSTZ-110 -QT
FRONT-P.W.Board			IC8501	51-11598Z01	TW8806XXPB2-GR -QT
FRONT-P.W.Board			IC8572	51T75166Y02	TC74VHC157FT(K) -SE5
FRONT-P.W.Board			IC8573	51T75166Y02	TC74VHC157FT(K) -SE5
FRONT-P.W.Board			IC8574	51T75166Y02	TC74VHC157FT(K) -SE5
FRONT-P.W.Board			IC8575	51T75166Y02	TC74VHC157FT(K) -SE5
FRONT-P.W.Board			IC8576	51T75166Y02	TC74VHC157FT(K) -SE5
FRONT-P.W.Board			IC8601	51-10189Z01	LC74736PT -QT
FRONT-P.W.Board			IC8602	83-16494Z18	W9000SD_1204
FRONT-P.W.Board			IC8701	51-12402Z01	S2D13746B01B600 -BT
FRONT-P.W.Board			IC8702	51T55336Y02	TC7SH04FU,JF-L -CP
FRONT-P.W.Board			IC8801	51-11439Z01	LT3487EDD -CE2
FRONT-P.W.Board			IC8802	51T25259Y03	BA00ASFP-E2 -NE5
FRONT-P.W.Board			IC8851	51T75222Y02	BA033CC0WFP-E2 -NE5
FRONT-P.W.Board			IC8861	51-06963Z01	NJU7741F15-TE1 -CP
FRONT-P.W.Board			IC8871	51T75516Y01	BA30BC0FP-E2 -NE5
FRONT-P.W.Board			IC8881	51-05862Z04	NJM2845DL1-18-TE1NE5
FRONT-P.W.Board			IC8891	51T15605Y01	NJM2130F-TE1 -CP
FRONT-P.W.Board			IC8981	51T15185Y02	TC7SH08FU,JF-L -CP
FRONT-P.W.Board			IC8982	51-15547Z01	PT6908-S-TP(L) -SE5
FRONT-P.W.Board			L8601	24-06212Z02	FBI,BLM15AG102SH1-CP
FRONT-P.W.Board			L8602	24-06212Z02	FBI,BLM15AG102SH1-CP
FRONT-P.W.Board			L8603	24-06212Z02	FBI,BLM15AG102SH1-CP
FRONT-P.W.Board			L8604	24-06212Z02	FBI,BLM15AG102SH1-CP
FRONT-P.W.Board			L8801	24T25164Y27	IND,FSLM2520 15RJ-CP
FRONT-P.W.Board			L8802	24T25164Y27	IND,FSLM2520 15RJ-CP
FRONT-P.W.Board			L8803	24T25164Y25	IND,FSLM2520 10RJ-CP
FRONT-P.W.Board			L8981	24-05547Z04	IND,SLF10145-H221MEA

Mark Model Code

#1 INA-W900

\$1 IVA-NAV-10

Others:Common.

NOTE:The part that has not PART NUMBER will not be supplied.

P.W.Board	MIS	MODEL	Ref.	Parts No.	Parts Name
FRONT-P.W.Board			Q8151	48T63788F01	TR2SD13280RB-RSTTXCP
FRONT-P.W.Board			Q8201	48-07987Z02	TR,UNR5112J-TX -CP
FRONT-P.W.Board			Q8202	48-15523Z02	TR,BC817-40-RTK -CP
FRONT-P.W.Board			Q8203	48-15523Z02	TR,BC817-40-RTK -CP
FRONT-P.W.Board			Q8204	48-09581Z03	TR,KTA1505S-Y-RTK-CP
FRONT-P.W.Board			Q8205	48-09581Z03	TR,KTA1505S-Y-RTK-CP
FRONT-P.W.Board			Q8571	48-07989Z01	TR,UNR5211J-TX -CP
FRONT-P.W.Board			Q8801	48T73022F01	TR ,2SB766A -E2
FRONT-P.W.Board			Q8802	48-02302Z02	TR,XP0331200L -CP
FRONT-P.W.Board			Q8803	48-02302Z02	TR,XP0331200L -CP
FRONT-P.W.Board			Q8804	48-09590Z01	TR,MMBTA06-RTK -CP
FRONT-P.W.Board			Q8805	48-07989Z02	TR,UNR5212J-TX -CP
FRONT-P.W.Board			Q8981	48-04858Z01	FET,RTQ045N03-TR -CP
FRONT-P.W.Board			Q8982	48-04858Z01	FET,RTQ045N03-TR -CP
FRONT-P.W.Board			R8000	06S15615Y89	RES,RK 473J 1/16 -CP
FRONT-P.W.Board			R8001	06S15615Y25	RES,RK 101J 1/16 -CP
FRONT-P.W.Board			R8002	06S15615Y25	RES,RK 101J 1/16 -CP
FRONT-P.W.Board			R8003	06S15615Y25	RES,RK 101J 1/16 -CP
FRONT-P.W.Board			R8004	06S15615Y25	RES,RK 101J 1/16 -CP
FRONT-P.W.Board			R8005	06S15615Y25	RES,RK 101J 1/16 -CP
FRONT-P.W.Board			R8006	06S15615Y25	RES,RK 101J 1/16 -CP
FRONT-P.W.Board			R8007	06S15615Y25	RES,RK 101J 1/16 -CP
FRONT-P.W.Board			R8008	06S15615Y25	RES,RK 101J 1/16 -CP
FRONT-P.W.Board			R8009	06S15615Y25	RES,RK 101J 1/16 -CP
FRONT-P.W.Board			R8010	06S15615Y25	RES,RK 101J 1/16 -CP
FRONT-P.W.Board			R8011	06S15615Y25	RES,RK 101J 1/16 -CP
FRONT-P.W.Board			R8012	06S15615Y25	RES,RK 101J 1/16 -CP
FRONT-P.W.Board			R8013	06S15615Y25	RES,RK 101J 1/16 -CP
FRONT-P.W.Board			R8014	06S15615Y25	RES,RK 101J 1/16 -CP
FRONT-P.W.Board			R8015	06S15615Y25	RES,RK 101J 1/16 -CP
FRONT-P.W.Board			R8017	06S15615Y49	RES,RK 102J 1/16 -CP
FRONT-P.W.Board			R8018	06S15615Y25	RES,RK 101J 1/16 -CP
FRONT-P.W.Board			R8020	06S15615Y73	RES,RK 103J 1/16 -CP
FRONT-P.W.Board			R8021	06S15615Y85	RES,RK 333J 1/16 -CP
FRONT-P.W.Board			R8022	06S15615Y25	RES,RK 101J 1/16 -CP
FRONT-P.W.Board			R8023	06S15615Y25	RES,RK 101J 1/16 -CP
FRONT-P.W.Board			R8024	06S15615Y25	RES,RK 101J 1/16 -CP
FRONT-P.W.Board			R8025	06S15615Y25	RES,RK 101J 1/16 -CP
FRONT-P.W.Board			R8026	06S15615Y25	RES,RK 101J 1/16 -CP
FRONT-P.W.Board			R8027	06S15593Y49	RES,RK 102F 1/10 -CP
FRONT-P.W.Board			R8028	06S15615Y81	RES,RK 223J 1/16 -CP
FRONT-P.W.Board			R8029	06S15593Y71	RES,RK 822F 1/10 -CP

Mark Model Code

#1 INA-W900

\$1 IVA-NAV-10

Others:Common.

NOTE:The part that has not PART NUMBER will not be supplied.

P.W.Board	MIS	MODEL	Ref.	Parts No.	Parts Name
FRONT-P.W.Board			R8030	06S15615Y25	RES,RK 101J 1/16 -CP
FRONT-P.W.Board			R8031	06S15615Y67	RES,RK 562J 1/16 -CP
FRONT-P.W.Board			R8032	06S15615Y67	RES,RK 562J 1/16 -CP
FRONT-P.W.Board			R8033	06S15615Y25	RES,RK 101J 1/16 -CP
FRONT-P.W.Board			R8034	06S15615Y25	RES,RK 101J 1/16 -CP
FRONT-P.W.Board			R8035	06S15616Y23	RES,RK JUMPER1/16-CP
FRONT-P.W.Board			R8036	06S15615Y25	RES,RK 101J 1/16 -CP
FRONT-P.W.Board			R8037	06S15615Y25	RES,RK 101J 1/16 -CP
FRONT-P.W.Board			R8038	06S15615Y25	RES,RK 101J 1/16 -CP
FRONT-P.W.Board			R8039	06S15615Y25	RES,RK 101J 1/16 -CP
FRONT-P.W.Board			R8040	06S15615Y25	RES,RK 101J 1/16 -CP
FRONT-P.W.Board			R8041	06S15615Y25	RES,RK 101J 1/16 -CP
FRONT-P.W.Board			R8042	06S15615Y25	RES,RK 101J 1/16 -CP
FRONT-P.W.Board			R8043	06S15615Y25	RES,RK 101J 1/16 -CP
FRONT-P.W.Board			R8044	06S15616Y23	RES,RK JUMPER1/16-CP
FRONT-P.W.Board			R8045	06S15616Y23	RES,RK JUMPER1/16-CP
FRONT-P.W.Board			R8046	06S15615Y25	RES,RK 101J 1/16 -CP
FRONT-P.W.Board			R8047	06S15615Y25	RES,RK 101J 1/16 -CP
FRONT-P.W.Board			R8048	06S15615Y25	RES,RK 101J 1/16 -CP
FRONT-P.W.Board			R8054	06S15615Y89	RES,RK 473J 1/16 -CP
FRONT-P.W.Board			R8055	06S15615Y89	RES,RK 473J 1/16 -CP
FRONT-P.W.Board			R8056	06S15615Y89	RES,RK 473J 1/16 -CP
FRONT-P.W.Board			R8057	06S15615Y89	RES,RK 473J 1/16 -CP
FRONT-P.W.Board			R8058	06S15615Y89	RES,RK 473J 1/16 -CP
FRONT-P.W.Board			R8059	06S15615Y89	RES,RK 473J 1/16 -CP
FRONT-P.W.Board			R8060	06S15615Y89	RES,RK 473J 1/16 -CP
FRONT-P.W.Board			R8061	06S15615Y89	RES,RK 473J 1/16 -CP
FRONT-P.W.Board			R8067	06S15615Y25	RES,RK 101J 1/16 -CP
FRONT-P.W.Board			R8069	06S15615Y89	RES,RK 473J 1/16 -CP
FRONT-P.W.Board			R8070	06S15615Y25	RES,RK 101J 1/16 -CP
FRONT-P.W.Board		#1	R8090	06S45675W43	RES,RK JUMPER1/10-CP
FRONT-P.W.Board		\$1	R8091	06S45675W43	RES,RK JUMPER1/10-CP
FRONT-P.W.Board		#1	R8092	06S45675W43	RES,RK JUMPER1/10-CP
FRONT-P.W.Board		\$1	R8093	06S45675W43	RES,RK JUMPER1/10-CP
FRONT-P.W.Board			R8101	06S45675W43	RES,RK JUMPER1/10-CP
FRONT-P.W.Board			R8102	06S45675W43	RES,RK JUMPER1/10-CP
FRONT-P.W.Board			R8151	06S15615Y41	RES,RK 471J 1/16 -CP
FRONT-P.W.Board			R8152	06S15615Y73	RES,RK 103J 1/16 -CP
FRONT-P.W.Board			R8201	06S15593Y97	RES,RK 104F 1/10 -CP
FRONT-P.W.Board			R8202	06S15593Y97	RES,RK 104F 1/10 -CP
FRONT-P.W.Board			R8203	06S15615Y73	RES,RK 103J 1/16 -CP
FRONT-P.W.Board			R8204	06S15615Y73	RES,RK 103J 1/16 -CP

Mark Model Code

#1 INA-W900

\$1 IVA-NAV-10

Others:Common.

NOTE:The part that has not PART NUMBER will not be supplied.

P.W.Board	MIS	MODEL	Ref.	Parts No.	Parts Name
FRONT-P.W.Board			R8205	06S15615Y73	RES,RK 103J 1/16 -CP
FRONT-P.W.Board			R8206	06S15615Y73	RES,RK 103J 1/16 -CP
FRONT-P.W.Board			R8207	06S15593Y57	RES,RK 222F 1/10 -CP
FRONT-P.W.Board			R8208	06S15593Y57	RES,RK 222F 1/10 -CP
FRONT-P.W.Board			R8209	06S15593Y57	RES,RK 222F 1/10 -CP
FRONT-P.W.Board			R8210	06S15593Y57	RES,RK 222F 1/10 -CP
FRONT-P.W.Board			R8211	06S15593Y65	RES,RK 472F 1/10 -CP
FRONT-P.W.Board			R8212	06S15593Y65	RES,RK 472F 1/10 -CP
FRONT-P.W.Board			R8213	06S15593Y25	RES,RK 101F 1/10 -CP
FRONT-P.W.Board			R8214	06S15593Y25	RES,RK 101F 1/10 -CP
FRONT-P.W.Board			R8215	06S15593Y09	RES,RK 22RF 1/10 -CP
FRONT-P.W.Board			R8216	06S15593Y01	RES,RK 10RF 1/10 -CP
FRONT-P.W.Board			R8319	06S15615Y13	RES,RK 33RJ 1/16 -CP
FRONT-P.W.Board			R8321	06S15615Y13	RES,RK 33RJ 1/16 -CP
FRONT-P.W.Board			R8323	06S15615Y13	RES,RK 33RJ 1/16 -CP
FRONT-P.W.Board			R8401	06S15615Y37	RES,RK 331J 1/16 -CP
FRONT-P.W.Board			R8418	06S15615Y25	RES,RK 101J 1/16 -CP
FRONT-P.W.Board			R8423	06S15615Y25	RES,RK 101J 1/16 -CP
FRONT-P.W.Board			R8424	06S15615Y25	RES,RK 101J 1/16 -CP
FRONT-P.W.Board			R8425	06S15615Y25	RES,RK 101J 1/16 -CP
FRONT-P.W.Board			R8426	06S15615Y25	RES,RK 101J 1/16 -CP
FRONT-P.W.Board			R8427	06S15615Y25	RES,RK 101J 1/16 -CP
FRONT-P.W.Board			R8429	06S65415Y30	RES,RK 272F 1/16 -CP
FRONT-P.W.Board			R8430	06S65415Y30	RES,RK 272F 1/16 -CP
FRONT-P.W.Board			R8431	06S15615Y39	RES,RK 391J 1/16 -CP
FRONT-P.W.Board			R8432	06S15615Y67	RES,RK 562J 1/16 -CP
FRONT-P.W.Board			R8433	06S15615Y52	RES,RK 132J 1/16 -CP
FRONT-P.W.Board			R8434	06S15615Y73	RES,RK 103J 1/16 -CP
FRONT-P.W.Board			R8436	06S15615Y73	RES,RK 103J 1/16 -CP
FRONT-P.W.Board			R8437	06S15615Y73	RES,RK 103J 1/16 -CP
FRONT-P.W.Board			R8438	06S15615Y73	RES,RK 103J 1/16 -CP
FRONT-P.W.Board			R8439	06S15615Y73	RES,RK 103J 1/16 -CP
FRONT-P.W.Board			R8440	06S15615Y73	RES,RK 103J 1/16 -CP
FRONT-P.W.Board			R8441	06S15615Y73	RES,RK 103J 1/16 -CP
FRONT-P.W.Board			R8442	06S15615Y73	RES,RK 103J 1/16 -CP
FRONT-P.W.Board			R8443	06S15615Y73	RES,RK 103J 1/16 -CP
FRONT-P.W.Board			R8444	06S15616Y22	RES,RK 105J 1/16 -CP
FRONT-P.W.Board			R8445	06S15615Y73	RES,RK 103J 1/16 -CP
FRONT-P.W.Board			R8446	06S15615Y13	RES,RK 33RJ 1/16 -CP
FRONT-P.W.Board			R8447	06S15615Y13	RES,RK 33RJ 1/16 -CP
FRONT-P.W.Board			R8448	06S15615Y13	RES,RK 33RJ 1/16 -CP
FRONT-P.W.Board			R8449	06S15615Y13	RES,RK 33RJ 1/16 -CP

Mark Model Code

#1 INA-W900

\$1 IVA-NAV-10

Others:Common.

NOTE:The part that has not PART NUMBER will not be supplied.

P.W.Board	MIS	MODEL	Ref.	Parts No.	Parts Name
FRONT-P.W.Board			R8450	06S15615Y13	RES,RK 33RJ 1/16 -CP
FRONT-P.W.Board			R8451	06S15615Y13	RES,RK 33RJ 1/16 -CP
FRONT-P.W.Board			R8452	06S15615Y13	RES,RK 33RJ 1/16 -CP
FRONT-P.W.Board			R8453	06S15615Y13	RES,RK 33RJ 1/16 -CP
FRONT-P.W.Board			R8454	06S15615Y13	RES,RK 33RJ 1/16 -CP
FRONT-P.W.Board			R8455	06S15615Y13	RES,RK 33RJ 1/16 -CP
FRONT-P.W.Board			R8456	06S15615Y13	RES,RK 33RJ 1/16 -CP
FRONT-P.W.Board			R8457	06S15615Y13	RES,RK 33RJ 1/16 -CP
FRONT-P.W.Board			R8458	06S15593Y57	RES,RK 222F 1/10 -CP
FRONT-P.W.Board			R8459	06S15593Y50	RES,RK 112F 1/10 -CP
FRONT-P.W.Board			R8522	06S15615Y13	RES,RK 33RJ 1/16 -CP
FRONT-P.W.Board			R8523	06S15616Y22	RES,RK 105J 1/16 -CP
FRONT-P.W.Board			R8524	06S15615Y13	RES,RK 33RJ 1/16 -CP
FRONT-P.W.Board			R8525	06S15615Y13	RES,RK 33RJ 1/16 -CP
FRONT-P.W.Board			R8526	06S15615Y13	RES,RK 33RJ 1/16 -CP
FRONT-P.W.Board			R8530	06S15615Y57	RES,RK 222J 1/16 -CP
FRONT-P.W.Board			R8531	06S15615Y13	RES,RK 33RJ 1/16 -CP
FRONT-P.W.Board			R8532	06S15615Y25	RES,RK 101J 1/16 -CP
FRONT-P.W.Board			R8533	06S15615Y25	RES,RK 101J 1/16 -CP
FRONT-P.W.Board			R8534	06S15616Y23	RES,RK JUMPER1/16-CP
FRONT-P.W.Board			R8537	06S15615Y13	RES,RK 33RJ 1/16 -CP
FRONT-P.W.Board			R8538	06S15615Y13	RES,RK 33RJ 1/16 -CP
FRONT-P.W.Board			R8539	06S15615Y13	RES,RK 33RJ 1/16 -CP
FRONT-P.W.Board			R8540	06S15615Y13	RES,RK 33RJ 1/16 -CP
FRONT-P.W.Board			R8544	06S15615Y13	RES,RK 33RJ 1/16 -CP
FRONT-P.W.Board			R8545	06S15615Y13	RES,RK 33RJ 1/16 -CP
FRONT-P.W.Board			R8546	06S15615Y25	RES,RK 101J 1/16 -CP
FRONT-P.W.Board			R8547	06S15615Y13	RES,RK 33RJ 1/16 -CP
FRONT-P.W.Board			R8552	06S15615Y73	RES,RK 103J 1/16 -CP
FRONT-P.W.Board			R8553	06S15615Y73	RES,RK 103J 1/16 -CP
FRONT-P.W.Board			R8556	06S15615Y13	RES,RK 33RJ 1/16 -CP
FRONT-P.W.Board			R8565	06S15615Y13	RES,RK 33RJ 1/16 -CP
FRONT-P.W.Board			R8584	06S15615Y81	RES,RK 223J 1/16 -CP
FRONT-P.W.Board			R8585	06S15615Y25	RES,RK 101J 1/16 -CP
FRONT-P.W.Board			R8587	06S15616Y23	RES,RK JUMPER1/16-CP
FRONT-P.W.Board			R8605	06S15616Y23	RES,RK JUMPER1/16-CP
FRONT-P.W.Board			R8620	06S15615Y89	RES,RK 473J 1/16 -CP
FRONT-P.W.Board			R8621	06S15615Y25	RES,RK 101J 1/16 -CP
FRONT-P.W.Board			R8622	06S15615Y25	RES,RK 101J 1/16 -CP
FRONT-P.W.Board			R8623	06S15615Y25	RES,RK 101J 1/16 -CP
FRONT-P.W.Board			R8624	06S15615Y25	RES,RK 101J 1/16 -CP
FRONT-P.W.Board			R8625	06S15615Y13	RES,RK 33RJ 1/16 -CP

Mark Model Code

#1 INA-W900

\$1 IVA-NAV-10

Others:Common.

NOTE:The part that has not PART NUMBER will not be supplied.

P.W.Board	MIS	MODEL	Ref.	Parts No.	Parts Name
FRONT-P.W.Board			R8627	06S15616Y23	RES,RK JUMPER1/16-CP
FRONT-P.W.Board			R8628	06S15616Y23	RES,RK JUMPER1/16-CP
FRONT-P.W.Board			R8629	06S15616Y23	RES,RK JUMPER1/16-CP
FRONT-P.W.Board			R8631	06S15615Y25	RES,RK 101J 1/16 -CP
FRONT-P.W.Board			R8701	06S70072F18	RES,CP .36R-J-1/4-CP
FRONT-P.W.Board			R8702	06S15594Y22	RES,RK 105F 1/10 -CP
FRONT-P.W.Board			R8717	06S15615Y25	RES,RK 101J 1/16 -CP
FRONT-P.W.Board			R8718	06S15615Y25	RES,RK 101J 1/16 -CP
FRONT-P.W.Board			R8719	06S15615Y25	RES,RK 101J 1/16 -CP
FRONT-P.W.Board			R8720	06S15615Y25	RES,RK 101J 1/16 -CP
FRONT-P.W.Board			R8721	06S45675W43	RES,RK JUMPER1/10-CP
FRONT-P.W.Board			R8722	06S15615Y89	RES,RK 473J 1/16 -CP
FRONT-P.W.Board			R8723	06S15615Y53	RES,RK 152J 1/16 -CP
FRONT-P.W.Board			R8724	06S65415Y27	RES,RK 152F 1/16 -CP
FRONT-P.W.Board			R8725	06S15615Y89	RES,RK 473J 1/16 -CP
FRONT-P.W.Board			R8726	06S15615Y89	RES,RK 473J 1/16 -CP
FRONT-P.W.Board			R8727	06S15615Y89	RES,RK 473J 1/16 -CP
FRONT-P.W.Board			R8728	06S15615Y89	RES,RK 473J 1/16 -CP
FRONT-P.W.Board			R8729	06S15615Y89	RES,RK 473J 1/16 -CP
FRONT-P.W.Board			R8730	06S15615Y89	RES,RK 473J 1/16 -CP
FRONT-P.W.Board			R8731	06S15615Y89	RES,RK 473J 1/16 -CP
FRONT-P.W.Board			R8732	06S15615Y89	RES,RK 473J 1/16 -CP
FRONT-P.W.Board			R8733	06S15615Y89	RES,RK 473J 1/16 -CP
FRONT-P.W.Board			R8734	06S15615Y89	RES,RK 473J 1/16 -CP
FRONT-P.W.Board			R8735	06S15615Y89	RES,RK 473J 1/16 -CP
FRONT-P.W.Board			R8736	06S15615Y89	RES,RK 473J 1/16 -CP
FRONT-P.W.Board			R8737	06S15615Y89	RES,RK 473J 1/16 -CP
FRONT-P.W.Board			R8738	06S15615Y89	RES,RK 473J 1/16 -CP
FRONT-P.W.Board			R8739	06S15615Y89	RES,RK 473J 1/16 -CP
FRONT-P.W.Board			R8740	06S15615Y89	RES,RK 473J 1/16 -CP
FRONT-P.W.Board			R8741	06S15615Y89	RES,RK 473J 1/16 -CP
FRONT-P.W.Board			R8742	06S15593Y43	RES,RK 561F 1/10 -CP
FRONT-P.W.Board			R8801	06S15593Y60	RES,RK 302F 1/10 -CP
FRONT-P.W.Board			R8802	06S15593Y73	RES,RK 103F 1/10 -CP
FRONT-P.W.Board			R8803	06S15594Y08	RES,RK 274F 1/10 -CP
FRONT-P.W.Board			R8804	06S15593Y81	RES,RK 223F 1/10 -CP
FRONT-P.W.Board			R8805	06S15593Y25	RES,RK 101F 1/10 -CP
FRONT-P.W.Board			R8806	06S15594Y14	RES,RK 474F 1/10 -CP
FRONT-P.W.Board			R8807	06S15593Y95	RES,RK 823F 1/10 -CP
FRONT-P.W.Board			R8808	06S15615Y81	RES,RK 223J 1/16 -CP
FRONT-P.W.Board			R8810	06S45674W97	RES,RK 473J 1/10 -CP
FRONT-P.W.Board			R8811	06S15615Y65	RES,RK 472J 1/16 -CP

Mark Model Code

#1 INA-W900

\$1 IVA-NAV-10

Others:Common.

NOTE:The part that has not PART NUMBER will not be supplied.

P.W.Board	MIS	MODEL	Ref.	Parts No.	Parts Name
FRONT-P.W.Board			R8814	06S15615Y83	RES,RK 273J 1/16 -CP
FRONT-P.W.Board			R8815	06S15615Y25	RES,RK 101J 1/16 -CP
FRONT-P.W.Board			R8816	06S15615Y73	RES,RK 103J 1/16 -CP
FRONT-P.W.Board			R8891	06S15593Y74	RES,RK 113F 1/10 -CP
FRONT-P.W.Board			R8892	06S15616Y23	RES,RK JUMPER1/16-CP
FRONT-P.W.Board			R8893	06S15593Y69	RES,RK 682F 1/10 -CP
FRONT-P.W.Board			R8894	06S15593Y49	RES,RK 102F 1/10 -CP
FRONT-P.W.Board			R8895	06S15616Y23	RES,RK JUMPER1/16-CP
FRONT-P.W.Board			R8904	06S15616Y23	RES,RK JUMPER1/16-CP
FRONT-P.W.Board			R8907	06S15615Y73	RES,RK 103J 1/16 -CP
FRONT-P.W.Board			R8908	06S15615Y13	RES,RK 33RJ 1/16 -CP
FRONT-P.W.Board			R8909	06S15615Y13	RES,RK 33RJ 1/16 -CP
FRONT-P.W.Board			R8910	06S15616Y23	RES,RK JUMPER1/16-CP
FRONT-P.W.Board			R8951	06S15593Y29	RES,RK 151F 1/10 -CP
FRONT-P.W.Board			R8952	06S15593Y13	RES,RK 33RF 1/10 -CP
FRONT-P.W.Board			R8953	06S15593Y05	RES,RK 15RF 1/10 -CP
FRONT-P.W.Board			R8954	06S15593Y33	RES,RK 221F 1/10 -CP
FRONT-P.W.Board			R8955	06S15593Y38	RES,RK 361F 1/10 -CP
FRONT-P.W.Board			R8956	06S15593Y29	RES,RK 151F 1/10 -CP
FRONT-P.W.Board			R8957	06S15593Y21	RES,RK 68RF 1/10 -CP
FRONT-P.W.Board			R8958	06S15593Y11	RES,RK 27RF 1/10 -CP
FRONT-P.W.Board			R8959	06S15593Y31	RES,RK 181F 1/10 -CP
FRONT-P.W.Board			R8960	06S15593Y42	RES,RK 511F 1/10 -CP
FRONT-P.W.Board			R8961	06S15593Y13	RES,RK 33RF 1/10 -CP
FRONT-P.W.Board			R8962	06S15593Y11	RES,RK 27RF 1/10 -CP
FRONT-P.W.Board			R8963	06S15593Y37	RES,RK 331F 1/10 -CP
FRONT-P.W.Board			R8964	06S45674W02	RES,RK 2R7J 1/10 -CP
FRONT-P.W.Board			R8965	06S15593Y23	RES,RK 82RF 1/10 -CP
FRONT-P.W.Board			R8966	06S15593Y01	RES,RK 10RF 1/10 -CP
FRONT-P.W.Board			R8967	06S15593Y13	RES,RK 33RF 1/10 -CP
FRONT-P.W.Board			R8968	06S15593Y01	RES,RK 10RF 1/10 -CP
FRONT-P.W.Board			R8969	06S15593Y21	RES,RK 68RF 1/10 -CP
FRONT-P.W.Board			R8970	06S15593Y03	RES,RK 12RF 1/10 -CP
FRONT-P.W.Board			R8971	06S15593Y21	RES,RK 68RF 1/10 -CP
FRONT-P.W.Board			R8972	06S15593Y03	RES,RK 12RF 1/10 -CP
FRONT-P.W.Board			R8976	06S15593Y68	RES,RK 622F 1/10 -CP
FRONT-P.W.Board			R8981	06S15615Y74	RES,RK 113J 1/16 -CP
FRONT-P.W.Board			R8982	06S15615Y74	RES,RK 113J 1/16 -CP
FRONT-P.W.Board			R8983	06S15615Y25	RES,RK 101J 1/16 -CP
FRONT-P.W.Board			R8984	06S35083Y52	RES,RK 1R0F 1/4 -CP
FRONT-P.W.Board			R8985	06S70072F51	RES,CP .821-J-1/4-CP
FRONT-P.W.Board			R8986	06S15593Y83	RES,RK 273F 1/10 -CP

Mark Model Code

#1 INA-W900

\$1 IVA-NAV-10

Others:Common.

NOTE:The part that has not PART NUMBER will not be supplied.

P.W.Board	MIS	MODEL	Ref.	Parts No.	Parts Name
FRONT-P.W.Board			R8987	06S15594Y06	RES,RK 224F 1/10 -CP
FRONT-P.W.Board			R8989	06S15593Y75	RES,RK 123F 1/10 -CP
FRONT-P.W.Board			R8990	06S15593Y83	RES,RK 273F 1/10 -CP
FRONT-P.W.Board			R8991	06S15593Y75	RES,RK 123F 1/10 -CP
FRONT-P.W.Board			R8992	06S15593Y83	RES,RK 273F 1/10 -CP
FRONT-P.W.Board			R8993	06S35083Y58	RES,RK 1R8F 1/4 -CP
FRONT-P.W.Board			R8994	06S15593Y63	RES,RK 392F 1/10 -CP
FRONT-P.W.Board			R8995	06S15593Y95	RES,RK 823F 1/10 -CP
FRONT-P.W.Board			R8996	06S35084Y42	RES,RK 273F 1/8 -CP
FRONT-P.W.Board			R8997	06S35083Y52	RES,RK 1R0F 1/4 -CP
FRONT-P.W.Board			R9000	06S35083Y54	RES,RK 1R2F 1/4 -CP
FRONT-P.W.Board			R9001	06S15593Y73	RES,RK 103F 1/10 -CP
FRONT-P.W.Board			R9002	06S15616Y23	RES,RK JUMPER1/16-CP
FRONT-P.W.Board			RA8001	06S15771Y13	RES,ARYEXB28V101J-CP
FRONT-P.W.Board			RA8003	06S15771Y13	RES,ARYEXB28V101J-CP
FRONT-P.W.Board			RA8004	06S15771Y13	RES,ARYEXB28V101J-CP
FRONT-P.W.Board			RA8005	06S15771Y13	RES,ARYEXB28V101J-CP
FRONT-P.W.Board			RA8403	06S15771Y07	RES,ARYEXB28V33RJ-CP
FRONT-P.W.Board			RA8501	06S15771Y07	RES,ARYEXB28V33RJ-CP
FRONT-P.W.Board			RA8502	06S15771Y07	RES,ARYEXB28V33RJ-CP
FRONT-P.W.Board			RA8503	06S15771Y07	RES,ARYEXB28V33RJ-CP
FRONT-P.W.Board			RA8504	06S15771Y07	RES,ARYEXB28V33RJ-CP
FRONT-P.W.Board			RA8505	06S15771Y07	RES,ARYEXB28V33RJ-CP
FRONT-P.W.Board			RA8506	06S15771Y07	RES,ARYEXB28V33RJ-CP
FRONT-P.W.Board			RA8507	06S15771Y07	RES,ARYEXB28V33RJ-CP
FRONT-P.W.Board			RA8508	06S15771Y07	RES,ARYEXB28V33RJ-CP
FRONT-P.W.Board			RA8601	06S15771Y13	RES,ARYEXB28V101J-CP
FRONT-P.W.Board			RA8602	06S15771Y13	RES,ARYEXB28V101J-CP
FRONT-P.W.Board			RA8603	06S15771Y13	RES,ARYEXB28V101J-CP
FRONT-P.W.Board			RA8604	06S15771Y13	RES,ARYEXB28V101J-CP
FRONT-P.W.Board			RA8605	06S15771Y13	RES,ARYEXB28V101J-CP
FRONT-P.W.Board			RA8606	06S15771Y13	RES,ARYEXB28V101J-CP
FRONT-P.W.Board			RA8607	06S15771Y13	RES,ARYEXB28V101J-CP
FRONT-P.W.Board			RA8608	06S15771Y13	RES,ARYEXB28V101J-CP
FRONT-P.W.Board			RA8609	06S15771Y13	RES,ARYEXB28V101J-CP
FRONT-P.W.Board			RA8701	06S15771Y13	RES,ARYEXB28V101J-CP
FRONT-P.W.Board			RA8901	06S15771Y07	RES,ARYEXB28V33RJ-CP
FRONT-P.W.Board			RA8902	06S15771Y07	RES,ARYEXB28V33RJ-CP
FRONT-P.W.Board			RA8903	06S15771Y07	RES,ARYEXB28V33RJ-CP
FRONT-P.W.Board			RA8904	06S15771Y07	RES,ARYEXB28V33RJ-CP
FRONT-P.W.Board			SD8001	48-16710Z01	DIO,SHT RB530S-30-CP
FRONT-P.W.Board			SD8002	48-16710Z01	DIO,SHT RB530S-30-CP

Mark Model Code

#1 INA-W900

\$1 IVA-NAV-10

Others:Common.

NOTE:The part that has not PART NUMBER will not be supplied.

P.W.Board	MIS	MODEL	Ref.	Parts No.	Parts Name
FRONT-P.W.Board			SD8981	48-13903Z01	DIO,SHT RB055L-40-E1
FRONT-P.W.Board			TH8976	48T25250Y06	TMT,ERTJ1VR223G -CP
FRONT-P.W.Board			XL8001	91-16024Z04	XTL,AT-41CD2 5.00-E9
FRONT-P.W.Board			XL8401	91T55274Y32	XTL,NX5032GA 28.6-E2
FRONT-P.W.Board			XL8501	91-15988Z13	XTL,NX3225GA 27.0-CP
FRONT-P.W.Board			XL8701	91-15988Z13	XTL,NX3225GA 27.0-CP
FRONT-P.W.Board			Z8001	91T65112W06	EMI,BK2125HM102 -CP
FRONT-P.W.Board			Z8401	91T45556Y06	EMI,NFM21HC102R1H-CP
FRONT-P.W.Board			Z8402	91T45556Y06	EMI,NFM21HC102R1H-CP
FRONT-P.W.Board			Z8403	91T45556Y06	EMI,NFM21HC102R1H-CP
FRONT-P.W.Board			Z8404	91T45556Y06	EMI,NFM21HC102R1H-CP
FRONT-P.W.Board			Z8501	91T45556Y06	EMI,NFM21HC102R1H-CP
FRONT-P.W.Board			Z8502	91T45556Y06	EMI,NFM21HC102R1H-CP
FRONT-P.W.Board			Z8503	91T45556Y06	EMI,NFM21HC102R1H-CP
FRONT-P.W.Board			Z8701	91T45556Y06	EMI,NFM21HC102R1H-CP
FRONT-P.W.Board			Z8702	91T45556Y06	EMI,NFM21HC102R1H-CP
FRONT-P.W.Board			Z8703	91T45556Y06	EMI,NFM21HC102R1H-CP
FRONT-P.W.Board			ZD8201	48-11191Z24	DIO,ZEN MAZ8056GH-CP
FRONT-P.W.Board			ZD8202	48-11191Z24	DIO,ZEN MAZ8056GH-CP
SW-P.W.Board			C4000	08S45676W84	CAP,CER 683K-B1C -CP
SW-P.W.Board			C4001	08S35349Y12	CAP,CER 105K-B0J -CP
SW-P.W.Board			C4002	08S45232Y17	CAP,CER 104K-B0J -CP
SW-P.W.Board			IC4000	51-11988Z01	RPMS1381-H19-E4A-NE5
SW-P.W.Board			IC4001	51-13263Z01	PNA4K01F -CP
SW-P.W.Board			LD4001	48-09856Z01	LED,WHT NSSW088 -E1
SW-P.W.Board			LD4002	48-09856Z01	LED,WHT NSSW088 -E1
SW-P.W.Board			R4000	06S45674W25	RES,RK 47RJ 1/10 -CP
SW-P.W.Board			R4001	06S45674W53	RES,RK 681J 1/10 -CP
SW-P.W.Board			R4002	06S15593Y85	RES,RK 333F 1/10 -CP
SW-P.W.Board			R4003	06S15593Y53	RES,RK 152F 1/10 -CP
SW-P.W.Board			R4004	06S15593Y61	RES,RK 332F 1/10 -CP
SW-P.W.Board			R4005	06S45674W53	RES,RK 681J 1/10 -CP
SW-P.W.Board			R4006	06S45674W57	RES,RK 102J 1/10 -CP
SW-P.W.Board			R4007	06S45674W57	RES,RK 102J 1/10 -CP
SW-P.W.Board			R4009	06S15593Y57	RES,RK 222F 1/10 -CP
SW-P.W.Board			R4010	06S45675W39	RES,RK 565J 1/10 -CP
SW-P.W.Board			R4011	06S15593Y67	RES,RK 562F 1/10 -CP
SW-P.W.Board			R4012	06S15593Y75	RES,RK 123F 1/10 -CP
SW-P.W.Board			R4013	06S45674W25	RES,RK 47RJ 1/10 -CP
SW-P.W.Board			R4014	06S15593Y51	RES,RK 122F 1/10 -CP
SW-P.W.Board		#1	R4020	06S45675W43	RES,RK JUMPER1/10-CP
SW-P.W.Board		\$1	R4021	06S45675W43	RES,RK JUMPER1/10-CP

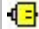

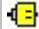









Mark Model Code

#1 INA-W900

\$1 IVA-NAV-10

Others:Common.

NOTE:The part that has not PART NUMBER will not be supplied.

P.W.Board	MIS	MODEL	Ref.	Parts No.	Parts Name
SW-P.W.Board			R4031	06S45674W50	RES,RK 511J 1/10 -CP
SW-P.W.Board			R4035	06S45674W50	RES,RK 511J 1/10 -CP
SW-P.W.Board			SW4000	40-14849Z02	SW,TACT SKRBACE010E2
SW-P.W.Board			SW4001	40-14849Z02	SW,TACT SKRBACE010E2
SW-P.W.Board			SW4002	40-14849Z02	SW,TACT SKRBACE010E2
SW-P.W.Board			SW4003	40-14849Z02	SW,TACT SKRBACE010E2
SW-P.W.Board			SW4004	40-14849Z02	SW,TACT SKRBACE010E2
SW-P.W.Board			SW4005	40-14849Z02	SW,TACT SKRBACE010E2
SW-P.W.Board			SW4006	40-14849Z02	SW,TACT SKRBACE010E2
SW-P.W.Board			SW4007	40-14849Z02	SW,TACT SKRBACE010E2
SW-P.W.Board			SW4008	40-14849Z02	SW,TACT SKRBACE010E2
Miscellaneous			CH3500	09-07002Z01	ASSY,ANIA-0001-01A
Miscellaneous			ET1620	09-16695Z01	ASSY,ANID-0112-01A
Miscellaneous			ET2200	09-11732Z02	ASSY,ANID-0076-02A
Miscellaneous			ET3200	09-14128Z03	ASSY,ANID-0093-03A
Miscellaneous			ET501	09-08702Z01	ASSY,ATFD-0716-01A
Miscellaneous			ET7500	09-11953Z05	ASSY,YAF11-1283N
Miscellaneous			ET8201	40-12211Z01	ASSY,EMU601A2A613
Miscellaneous			LCD8901	65-12593Z01	ASSY,C070VW03 V0
Miscellaneous			M1650	59-06122Z01	MOTOR,D02X-12TS4(EX)
Miscellaneous			M1651	59-06122Z01	MOTOR,D02X-12TS4(EX)
Miscellaneous			M3500	59-02037Z01	MOTOR,FF-180SH-13260
MAIN(DV37M16A)- P.W.Board			C502	08S65670Y01	CAP,CER 106KX5R1C-CP
MAIN(DV37M16A)- P.W.Board			C505	08S45231Y29	CAP,CER 221J-CH1H-CP
MAIN(DV37M16A)- P.W.Board			C506	08S65670Y01	CAP,CER 106KX5R1C-CP
MAIN(DV37M16A)- P.W.Board			C507	08S45232Y05	CAP,CER 102K-B1H -CP
MAIN(DV37M16A)- P.W.Board			C508	08S45231Y29	CAP,CER 221J-CH1H-CP
MAIN(DV37M16A)- P.W.Board			C514	08S45232Y05	CAP,CER 102K-B1H -CP
MAIN(DV37M16A)- P.W.Board			C540	08S45231Y33	CAP,CER 471J-CH1H-CP
MAIN(DV37M16A)- P.W.Board			C541	08S45231Y36	CAP,CER 681J-CH1E-CP
MAIN(DV37M16A)- P.W.Board			C601	08S45232Y05	CAP,CER 102K-B1H -CP
MAIN(DV37M16A)- P.W.Board			C602	08S45232Y05	CAP,CER 102K-B1H -CP
MAIN(DV37M16A)- P.W.Board			C603	08S45232Y17	CAP,CER 104K-B0J -CP

Mark Model Code

#1 INA-W900

\$1 IVA-NAV-10

Others:Common.

NOTE:The part that has not PART NUMBER will not be supplied.

P.W.Board	MIS	MODEL	Ref.	Parts No.	Parts Name
MAIN(DV37M16A)- P.W.Board			C604	08S45232Y05	CAP,CER 102K-B1H -CP
MAIN(DV37M16A)- P.W.Board			C605	08S45232Y05	CAP,CER 102K-B1H -CP
MAIN(DV37M16A)- P.W.Board			C606	08S45232Y17	CAP,CER 104K-B0J -CP
MAIN(DV37M16A)- P.W.Board			C607	08S45232Y05	CAP,CER 102K-B1H -CP
MAIN(DV37M16A)- P.W.Board			C608	08S45232Y05	CAP,CER 102K-B1H -CP
MAIN(DV37M16A)- P.W.Board			C609	08S45232Y17	CAP,CER 104K-B0J -CP
MAIN(DV37M16A)- P.W.Board			C610	08S45232Y05	CAP,CER 102K-B1H -CP
MAIN(DV37M16A)- P.W.Board			C611	08S45232Y05	CAP,CER 102K-B1H -CP
MAIN(DV37M16A)- P.W.Board			C612	08S45232Y17	CAP,CER 104K-B0J -CP
MAIN(DV37M16A)- P.W.Board			C613	08S45232Y17	CAP,CER 104K-B0J -CP
MAIN(DV37M16A)- P.W.Board			C614	08S45232Y05	CAP,CER 102K-B1H -CP
MAIN(DV37M16A)- P.W.Board			C615	08S45232Y17	CAP,CER 104K-B0J -CP
MAIN(DV37M16A)- P.W.Board			C616	08S45232Y05	CAP,CER 102K-B1H -CP
MAIN(DV37M16A)- P.W.Board			C617	08S45232Y05	CAP,CER 102K-B1H -CP
MAIN(DV37M16A)- P.W.Board			C618	08S45232Y17	CAP,CER 104K-B0J -CP
MAIN(DV37M16A)- P.W.Board			C619	08S45232Y05	CAP,CER 102K-B1H -CP
MAIN(DV37M16A)- P.W.Board			C620	08S45232Y05	CAP,CER 102K-B1H -CP
MAIN(DV37M16A)- P.W.Board			C621	08S45232Y05	CAP,CER 102K-B1H -CP
MAIN(DV37M16A)- P.W.Board			C622	08S45232Y05	CAP,CER 102K-B1H -CP
MAIN(DV37M16A)- P.W.Board			C623	08S45232Y17	CAP,CER 104K-B0J -CP
MAIN(DV37M16A)- P.W.Board			C624	08S45232Y05	CAP,CER 102K-B1H -CP
MAIN(DV37M16A)- P.W.Board			C625	08S45232Y17	CAP,CER 104K-B0J -CP
MAIN(DV37M16A)- P.W.Board			C626	08S45232Y17	CAP,CER 104K-B0J -CP

Mark Model Code

#1 INA-W900

\$1 IVA-NAV-10

Others:Common.

NOTE:The part that has not PART NUMBER will not be supplied.

P.W.Board	MIS	MODEL	Ref.	Parts No.	Parts Name
MAIN(DV37M16A)- P.W.Board			C627	08S45232Y17	CAP,CER 104K-B0J -CP
MAIN(DV37M16A)- P.W.Board			C632	08S45232Y17	CAP,CER 104K-B0J -CP
MAIN(DV37M16A)- P.W.Board			C633	08S45232Y05	CAP,CER 102K-B1H -CP
MAIN(DV37M16A)- P.W.Board			C652	08T81833F12	CAP,CER 106K-B1A -CP
MAIN(DV37M16A)- P.W.Board			C675	08S45231Y23	CAP,CER 68RJ-CH1H-CP
MAIN(DV37M16A)- P.W.Board			C676	08S45231Y21	CAP,CER 47RJ-CH1H-CP
MAIN(DV37M16A)- P.W.Board			C677	08S45231Y15	CAP,CER 15RJ-CH1H-CP
MAIN(DV37M16A)- P.W.Board			C678	08S45231Y19	CAP,CER 33RJ-CH1H-CP
MAIN(DV37M16A)- P.W.Board			C679	08S45231Y22	CAP,CER 56RJ-CH1H-CP
MAIN(DV37M16A)- P.W.Board			C702	08S45232Y17	CAP,CER 104K-B0J -CP
MAIN(DV37M16A)- P.W.Board			C703	08S45232Y17	CAP,CER 104K-B0J -CP
MAIN(DV37M16A)- P.W.Board			C740	08S35349Y12	CAP,CER 105K-B0J -CP
MAIN(DV37M16A)- P.W.Board			C741	08S45232Y11	CAP,CER 103K-B1C -CP
MAIN(DV37M16A)- P.W.Board			C781	08S65670Y01	CAP,CER 106KX5R1C-CP
MAIN(DV37M16A)- P.W.Board			C783	08S45232Y17	CAP,CER 104K-B0J -CP
MAIN(DV37M16A)- P.W.Board			C784	08S45232Y05	CAP,CER 102K-B1H -CP
MAIN(DV37M16A)- P.W.Board			C785	08S45232Y05	CAP,CER 102K-B1H -CP
MAIN(DV37M16A)- P.W.Board			C786	08S45232Y17	CAP,CER 104K-B0J -CP
MAIN(DV37M16A)- P.W.Board			C787	08S45232Y17	CAP,CER 104K-B0J -CP
MAIN(DV37M16A)- P.W.Board			C788	08S45232Y05	CAP,CER 102K-B1H -CP
MAIN(DV37M16A)- P.W.Board			C789	08S45232Y05	CAP,CER 102K-B1H -CP
MAIN(DV37M16A)- P.W.Board			C801	08S45232Y17	CAP,CER 104K-B0J -CP
MAIN(DV37M16A)- P.W.Board			C806	08S45232Y05	CAP,CER 102K-B1H -CP

Mark Model Code

#1 INA-W900

\$1 IVA-NAV-10

Others:Common.

NOTE:The part that has not PART NUMBER will not be supplied.

P.W.Board	MIS	MODEL	Ref.	Parts No.	Parts Name
MAIN(DV37M16A)- P.W.Board			C807	08S45676W87	CAP,CER 333K-B1E -CP
MAIN(DV37M16A)- P.W.Board			C808	08S45232Y17	CAP,CER 104K-B0J -CP
MAIN(DV37M16A)- P.W.Board			C809	08S45232Y17	CAP,CER 104K-B0J -CP
MAIN(DV37M16A)- P.W.Board			C810	08S45232Y17	CAP,CER 104K-B0J -CP
MAIN(DV37M16A)- P.W.Board			C811	08S45676W70	CAP,CER 562K-B1H -CP
MAIN(DV37M16A)- P.W.Board			C812	08S45676W79	CAP,CER 183K-B1E -CP
MAIN(DV37M16A)- P.W.Board			C813	08S45232Y17	CAP,CER 104K-B0J -CP
MAIN(DV37M16A)- P.W.Board			C814	08S45232Y17	CAP,CER 104K-B0J -CP
MAIN(DV37M16A)- P.W.Board			C815	08S45232Y17	CAP,CER 104K-B0J -CP
MAIN(DV37M16A)- P.W.Board			C816	08S45232Y17	CAP,CER 104K-B0J -CP
MAIN(DV37M16A)- P.W.Board			C817	08S35349Y16	CAP,CER 105K-B1A -CP
MAIN(DV37M16A)- P.W.Board			C818	08S35349Y16	CAP,CER 105K-B1A -CP
MAIN(DV37M16A)- P.W.Board			C819	08S45232Y17	CAP,CER 104K-B0J -CP
MAIN(DV37M16A)- P.W.Board			C820	08S35374W12	CAP,CER 106K-B0J -CP
MAIN(DV37M16A)- P.W.Board			C821	08S45232Y17	CAP,CER 104K-B0J -CP
MAIN(DV37M16A)- P.W.Board			C822	08S45232Y17	CAP,CER 104K-B0J -CP
MAIN(DV37M16A)- P.W.Board			C823	08S45232Y17	CAP,CER 104K-B0J -CP
MAIN(DV37M16A)- P.W.Board			C824	08S45232Y17	CAP,CER 104K-B0J -CP
MAIN(DV37M16A)- P.W.Board			C825	08S45232Y17	CAP,CER 104K-B0J -CP
MAIN(DV37M16A)- P.W.Board			C826	08S45232Y17	CAP,CER 104K-B0J -CP
MAIN(DV37M16A)- P.W.Board			C827	08S45232Y17	CAP,CER 104K-B0J -CP
MAIN(DV37M16A)- P.W.Board			C828	08S45232Y11	CAP,CER 103K-B1C -CP
MAIN(DV37M16A)- P.W.Board			C829	08S45232Y11	CAP,CER 103K-B1C -CP

Mark Model Code

#1 INA-W900

\$1 IVA-NAV-10

Others:Common.

NOTE:The part that has not PART NUMBER will not be supplied.

P.W.Board	MIS	MODEL	Ref.	Parts No.	Parts Name
MAIN(DV37M16A)- P.W.Board			C830	08S45232Y08	CAP,CER 332K-B1H -CP
MAIN(DV37M16A)- P.W.Board			C831	08S45232Y08	CAP,CER 332K-B1H -CP
MAIN(DV37M16A)- P.W.Board			C832	08S45232Y08	CAP,CER 332K-B1H -CP
MAIN(DV37M16A)- P.W.Board			C833	08S45232Y08	CAP,CER 332K-B1H -CP
MAIN(DV37M16A)- P.W.Board			C835	08S45232Y07	CAP,CER 222K-B1H -CP
MAIN(DV37M16A)- P.W.Board			C836	08S45232Y07	CAP,CER 222K-B1H -CP
MAIN(DV37M16A)- P.W.Board			C837	08S45231Y25	CAP,CER 101J-CH1H-CP
MAIN(DV37M16A)- P.W.Board			C838	08S45677W40	CAP,CER.151J-CH1H-CP
MAIN(DV37M16A)- P.W.Board			C839	08S45677W40	CAP,CER.151J-CH1H-CP
MAIN(DV37M16A)- P.W.Board			C840	08S45231Y25	CAP,CER 101J-CH1H-CP
MAIN(DV37M16A)- P.W.Board			C841	08S45677W40	CAP,CER.151J-CH1H-CP
MAIN(DV37M16A)- P.W.Board			C842	08S45677W40	CAP,CER.151J-CH1H-CP
MAIN(DV37M16A)- P.W.Board			C844	08T81833F13	CAP,CER 106K-B1C -CP
MAIN(DV37M16A)- P.W.Board			C852	08S45232Y17	CAP,CER 104K-B0J -CP
MAIN(DV37M16A)- P.W.Board			C853	08T81833F13	CAP,CER 106K-B1C -CP
MAIN(DV37M16A)- P.W.Board			C854	08T81833F13	CAP,CER 106K-B1C -CP
MAIN(DV37M16A)- P.W.Board			C856	08S45232Y17	CAP,CER 104K-B0J -CP
MAIN(DV37M16A)- P.W.Board			C857	08S65668Y04	CAP,CER 104KX5R1A-CP
MAIN(DV37M16A)- P.W.Board			C860	08S45232Y11	CAP,CER 103K-B1C -CP
MAIN(DV37M16A)- P.W.Board			C861	08S65668Y04	CAP,CER 104KX5R1A-CP
MAIN(DV37M16A)- P.W.Board			C862	08S35374W10	CAP,CER 225K-B1A -CP
MAIN(DV37M16A)- P.W.Board			C863	08S35374W10	CAP,CER 225K-B1A -CP
MAIN(DV37M16A)- P.W.Board			C864	08S45232Y17	CAP,CER 104K-B0J -CP

Mark Model Code

#1 INA-W900

\$1 IVA-NAV-10

Others:Common.

NOTE:The part that has not PART NUMBER will not be supplied.

P.W.Board	MIS	MODEL	Ref.	Parts No.	Parts Name
MAIN(DV37M16A)- P.W.Board			C865	08S45232Y17	CAP,CER 104K-B0J -CP
MAIN(DV37M16A)- P.W.Board			C871	08S45232Y17	CAP,CER 104K-B0J -CP
MAIN(DV37M16A)- P.W.Board			C872	08S45232Y17	CAP,CER 104K-B0J -CP
MAIN(DV37M16A)- P.W.Board			C873	08S65670Y06	CAP,CER 226KX5R1A-CP
MAIN(DV37M16A)- P.W.Board			C874	08S65670Y06	CAP,CER 226KX5R1A-CP
MAIN(DV37M16A)- P.W.Board			C876	08S45232Y17	CAP,CER 104K-B0J -CP
MAIN(DV37M16A)- P.W.Board			C877	08S45232Y13	CAP,CER 223K-B1C -CP
MAIN(DV37M16A)- P.W.Board			C881	08S65670Y06	CAP,CER 226KX5R1A-CP
MAIN(DV37M16A)- P.W.Board			C882	08S65670Y06	CAP,CER 226KX5R1A-CP
MAIN(DV37M16A)- P.W.Board			C883	08S35349Y12	CAP,CER 105K-B0J -CP
MAIN(DV37M16A)- P.W.Board			C884	08S45676W80	CAP,CER 223K-B1E -CP
MAIN(DV37M16A)- P.W.Board			C891	08S65670Y06	CAP,CER 226KX5R1A-CP
MAIN(DV37M16A)- P.W.Board			C892	08S65670Y06	CAP,CER 226KX5R1A-CP
MAIN(DV37M16A)- P.W.Board			C893	08S35349Y12	CAP,CER 105K-B0J -CP
MAIN(DV37M16A)- P.W.Board			C894	08S45676W80	CAP,CER 223K-B1E -CP
MAIN(DV37M16A)- P.W.Board			C899	08S45232Y13	CAP,CER 223K-B1C -CP
MAIN(DV37M16A)- P.W.Board			C901	08S65667Y05	CAP,CER 105KX5R1A-CP
MAIN(DV37M16A)- P.W.Board			C902	08S65667Y05	CAP,CER 105KX5R1A-CP
MAIN(DV37M16A)- P.W.Board			C903	08S35374W12	CAP,CER 106K-B0J -CP
MAIN(DV37M16A)- P.W.Board			C904	08S65667Y05	CAP,CER 105KX5R1A-CP
MAIN(DV37M16A)- P.W.Board			C905	08S45232Y11	CAP,CER 103K-B1C -CP
MAIN(DV37M16A)- P.W.Board			C906	08S45232Y17	CAP,CER 104K-B0J -CP
MAIN(DV37M16A)- P.W.Board			CB101	09-05386Z09	FFC,54104-4531 -EQ

Mark Model Code

#1 INA-W900

\$1 IVA-NAV-10

Others:Common.

NOTE:The part that has not PART NUMBER will not be supplied.

P.W.Board	MIS	MODEL	Ref.	Parts No.	Parts Name
MAIN(DV37M16A)- P.W.Board			CB502	09-05386Z07	FFC,54104-4031 -EQ
MAIN(DV37M16A)- P.W.Board			CB503	09-05384Z06	FFC,52745-1097 -E9
MAIN(DV37M16A)- P.W.Board			CB801	09-05385Z08	FFC,52435-2871 -ED
MAIN(DV37M16A)- P.W.Board			CB802	09-05385Z04	FFC,52435-2471 -ED
MAIN(DV37M16A)- P.W.Board			D1	48-04465Z01	DIO,MA2711100L-TX-CP
MAIN(DV37M16A)- P.W.Board			D2	48-04465Z01	DIO,MA2711100L-TX-CP
MAIN(DV37M16A)- P.W.Board			IC601	51-07925Z01	MN2DS0016UB -QT
MAIN(DV37M16A)- P.W.Board			IC701	83-15943Z55	V1.100DV37M16A
MAIN(DV37M16A)- P.W.Board			IC702	51-00726Z02	MB85R256PFCN-G -ST
MAIN(DV37M16A)- P.W.Board			IC781	51-11515Z01	HY57V281620FTP-HI-ST
MAIN(DV37M16A)- P.W.Board			IC806	51-08553Z01	BU4309G-TR -CP
MAIN(DV37M16A)- P.W.Board			IC851	51T55021Y02	BD7905BFS-E2 -SEE
MAIN(DV37M16A)- P.W.Board			L501	24T65689Y01	FBI,FBMJ2125HS420-CP
MAIN(DV37M16A)- P.W.Board			L502	24T65689Y01	FBI,FBMJ2125HS420-CP
MAIN(DV37M16A)- P.W.Board			L503	24T65689Y01	FBI,FBMJ2125HS420-CP
MAIN(DV37M16A)- P.W.Board			L504	24T65689Y01	FBI,FBMJ2125HS420-CP
MAIN(DV37M16A)- P.W.Board			L820	24T95456W27	FBI,BLM18PG181SH1-CP
MAIN(DV37M16A)- P.W.Board			Q540	48T45251W53	TR ,UN5112 22-22 -CP
MAIN(DV37M16A)- P.W.Board			Q541	48T15656Y01	TR,2SC4617-TL -CP
MAIN(DV37M16A)- P.W.Board			Q872	48T25137Y02	TR,UN9212J-TX -CP
MAIN(DV37M16A)- P.W.Board			Q873	48T25137Y06	TR,UN9216J-TX -CP
MAIN(DV37M16A)- P.W.Board			Q874	48T25137Y06	TR,UN9216J-TX -CP
MAIN(DV37M16A)- P.W.Board			Q881	48T75011W01	TR,2SD1782K-PQR-6-CP

Mark Model Code

#1 INA-W900

\$1 IVA-NAV-10

Others:Common.

NOTE:The part that has not PART NUMBER will not be supplied.

P.W.Board	MIS	MODEL	Ref.	Parts No.	Parts Name
MAIN(DV37M16A)- P.W.Board			Q882	48T55462Y01	TR,2SB1132-QR-100-E2
MAIN(DV37M16A)- P.W.Board			Q891	48T75011W01	TR,2SD1782K-PQR-6-CP
MAIN(DV37M16A)- P.W.Board			Q892	48T55462Y01	TR,2SB1132-QR-100-E2
MAIN(DV37M16A)- P.W.Board			R1	06S15615Y81	RES,RK 223J 1/16 -CP
MAIN(DV37M16A)- P.W.Board			R2	06S15615Y81	RES,RK 223J 1/16 -CP
MAIN(DV37M16A)- P.W.Board			R3	06S15615Y81	RES,RK 223J 1/16 -CP
MAIN(DV37M16A)- P.W.Board			R4	06S15615Y81	RES,RK 223J 1/16 -CP
MAIN(DV37M16A)- P.W.Board			R500	06S15615Y81	RES,RK 223J 1/16 -CP
MAIN(DV37M16A)- P.W.Board			R501	06S45674W77	RES,RK 682J 1/10 -CP
MAIN(DV37M16A)- P.W.Board			R502	06S45674W75	RES,RK 562J 1/10 -CP
MAIN(DV37M16A)- P.W.Board			R503	06S45675W14	RES,RK 224J 1/10 -CP
MAIN(DV37M16A)- P.W.Board			R508	06S45675W02	RES,RK 683J 1/10 -CP
MAIN(DV37M16A)- P.W.Board			R514	06S15615Y81	RES,RK 223J 1/16 -CP
MAIN(DV37M16A)- P.W.Board			R515	06S15615Y81	RES,RK 223J 1/16 -CP
MAIN(DV37M16A)- P.W.Board			R516	06S15615Y81	RES,RK 223J 1/16 -CP
MAIN(DV37M16A)- P.W.Board			R517	06S15615Y81	RES,RK 223J 1/16 -CP
MAIN(DV37M16A)- P.W.Board			R518	06S15615Y81	RES,RK 223J 1/16 -CP
MAIN(DV37M16A)- P.W.Board			R519	06S15615Y81	RES,RK 223J 1/16 -CP
MAIN(DV37M16A)- P.W.Board			R520	06S15615Y81	RES,RK 223J 1/16 -CP
MAIN(DV37M16A)- P.W.Board			R521	06S15615Y13	RES,RK 33RJ 1/16 -CP
MAIN(DV37M16A)- P.W.Board			R522	06S15615Y13	RES,RK 33RJ 1/16 -CP
MAIN(DV37M16A)- P.W.Board			R523	06S15615Y13	RES,RK 33RJ 1/16 -CP
MAIN(DV37M16A)- P.W.Board			R524	06S15615Y49	RES,RK 102J 1/16 -CP

Mark Model Code

#1 INA-W900

\$1 IVA-NAV-10

Others:Common.

NOTE:The part that has not PART NUMBER will not be supplied.

P.W.Board	MIS	MODEL	Ref.	Parts No.	Parts Name
MAIN(DV37M16A)- P.W.Board			R525	06S15615Y49	RES,RK 102J 1/16 -CP
MAIN(DV37M16A)- P.W.Board			R526	06S15615Y65	RES,RK 472J 1/16 -CP
MAIN(DV37M16A)- P.W.Board			R527	06S15615Y13	RES,RK 33RJ 1/16 -CP
MAIN(DV37M16A)- P.W.Board			R528	06S15615Y13	RES,RK 33RJ 1/16 -CP
MAIN(DV37M16A)- P.W.Board			R529	06S15615Y13	RES,RK 33RJ 1/16 -CP
MAIN(DV37M16A)- P.W.Board			R530	06S15615Y13	RES,RK 33RJ 1/16 -CP
MAIN(DV37M16A)- P.W.Board			R531	06S15615Y13	RES,RK 33RJ 1/16 -CP
MAIN(DV37M16A)- P.W.Board			R532	06S15615Y13	RES,RK 33RJ 1/16 -CP
MAIN(DV37M16A)- P.W.Board			R533	06S15615Y25	RES,RK 101J 1/16 -CP
MAIN(DV37M16A)- P.W.Board			R534	06S15615Y25	RES,RK 101J 1/16 -CP
MAIN(DV37M16A)- P.W.Board			R535	06S15615Y81	RES,RK 223J 1/16 -CP
MAIN(DV37M16A)- P.W.Board			R536	06S15615Y81	RES,RK 223J 1/16 -CP
MAIN(DV37M16A)- P.W.Board			R537	06S15615Y17	RES,RK 47RJ 1/16 -CP
MAIN(DV37M16A)- P.W.Board			R538	06S15615Y25	RES,RK 101J 1/16 -CP
MAIN(DV37M16A)- P.W.Board			R539	06S15615Y25	RES,RK 101J 1/16 -CP
MAIN(DV37M16A)- P.W.Board			R540	06S15615Y25	RES,RK 101J 1/16 -CP
MAIN(DV37M16A)- P.W.Board			R541	06S15615Y17	RES,RK 47RJ 1/16 -CP
MAIN(DV37M16A)- P.W.Board			R542	06S15615Y21	RES,RK 68RJ 1/16 -CP
MAIN(DV37M16A)- P.W.Board			R545	06S15615Y25	RES,RK 101J 1/16 -CP
MAIN(DV37M16A)- P.W.Board			R546	06S15615Y81	RES,RK 223J 1/16 -CP
MAIN(DV37M16A)- P.W.Board			R547	06S15615Y81	RES,RK 223J 1/16 -CP
MAIN(DV37M16A)- P.W.Board			R548	06S15615Y81	RES,RK 223J 1/16 -CP
MAIN(DV37M16A)- P.W.Board			R549	06S15615Y81	RES,RK 223J 1/16 -CP

Mark Model Code

#1 INA-W900

\$1 IVA-NAV-10

Others:Common.

NOTE:The part that has not PART NUMBER will not be supplied.

P.W.Board	MIS	MODEL	Ref.	Parts No.	Parts Name
MAIN(DV37M16A)- P.W.Board			R550	06S15615Y81	RES,RK 223J 1/16 -CP
MAIN(DV37M16A)- P.W.Board			R551	06S15615Y81	RES,RK 223J 1/16 -CP
MAIN(DV37M16A)- P.W.Board			R552	06S15615Y81	RES,RK 223J 1/16 -CP
MAIN(DV37M16A)- P.W.Board			R553	06S15615Y81	RES,RK 223J 1/16 -CP
MAIN(DV37M16A)- P.W.Board			R554	06S15615Y81	RES,RK 223J 1/16 -CP
MAIN(DV37M16A)- P.W.Board			R555	06S15615Y81	RES,RK 223J 1/16 -CP
MAIN(DV37M16A)- P.W.Board			R556	06S15615Y25	RES,RK 101J 1/16 -CP
MAIN(DV37M16A)- P.W.Board			R557	06S15615Y25	RES,RK 101J 1/16 -CP
MAIN(DV37M16A)- P.W.Board			R558	06S15615Y25	RES,RK 101J 1/16 -CP
MAIN(DV37M16A)- P.W.Board			R559	06S15615Y25	RES,RK 101J 1/16 -CP
MAIN(DV37M16A)- P.W.Board			R560	06S15615Y25	RES,RK 101J 1/16 -CP
MAIN(DV37M16A)- P.W.Board			R561	06S15615Y81	RES,RK 223J 1/16 -CP
MAIN(DV37M16A)- P.W.Board			R562	06S15615Y81	RES,RK 223J 1/16 -CP
MAIN(DV37M16A)- P.W.Board			R563	06S15615Y81	RES,RK 223J 1/16 -CP
MAIN(DV37M16A)- P.W.Board			R564	06S15615Y81	RES,RK 223J 1/16 -CP
MAIN(DV37M16A)- P.W.Board			R565	06S15615Y81	RES,RK 223J 1/16 -CP
MAIN(DV37M16A)- P.W.Board			R566	06S15615Y81	RES,RK 223J 1/16 -CP
MAIN(DV37M16A)- P.W.Board			R567	06S15615Y81	RES,RK 223J 1/16 -CP
MAIN(DV37M16A)- P.W.Board			R568	06S15615Y81	RES,RK 223J 1/16 -CP
MAIN(DV37M16A)- P.W.Board			R569	06S15615Y81	RES,RK 223J 1/16 -CP
MAIN(DV37M16A)- P.W.Board			R570	06S15615Y81	RES,RK 223J 1/16 -CP
MAIN(DV37M16A)- P.W.Board			R571	06S15615Y81	RES,RK 223J 1/16 -CP
MAIN(DV37M16A)- P.W.Board			R572	06S15615Y81	RES,RK 223J 1/16 -CP

Mark Model Code

#1 INA-W900

\$1 IVA-NAV-10

Others:Common.

NOTE:The part that has not PART NUMBER will not be supplied.

P.W.Board	MIS	MODEL	Ref.	Parts No.	Parts Name
MAIN(DV37M16A)- P.W.Board			R573	06S15615Y81	RES,RK 223J 1/16 -CP
MAIN(DV37M16A)- P.W.Board			R574	06S15615Y81	RES,RK 223J 1/16 -CP
MAIN(DV37M16A)- P.W.Board			R575	06S15615Y81	RES,RK 223J 1/16 -CP
MAIN(DV37M16A)- P.W.Board			R576	06S15615Y81	RES,RK 223J 1/16 -CP
MAIN(DV37M16A)- P.W.Board			R577	06S15615Y17	RES,RK 47RJ 1/16 -CP
MAIN(DV37M16A)- P.W.Board			R578	06S15615Y23	RES,RK 82RJ 1/16 -CP
MAIN(DV37M16A)- P.W.Board			R579	06S15615Y23	RES,RK 82RJ 1/16 -CP
MAIN(DV37M16A)- P.W.Board			R580	06S15615Y17	RES,RK 47RJ 1/16 -CP
MAIN(DV37M16A)- P.W.Board			R581	06S15615Y23	RES,RK 82RJ 1/16 -CP
MAIN(DV37M16A)- P.W.Board			R582	06S15615Y17	RES,RK 47RJ 1/16 -CP
MAIN(DV37M16A)- P.W.Board			R583	06S15615Y23	RES,RK 82RJ 1/16 -CP
MAIN(DV37M16A)- P.W.Board			R584	06S15615Y23	RES,RK 82RJ 1/16 -CP
MAIN(DV37M16A)- P.W.Board			R585	06S15615Y23	RES,RK 82RJ 1/16 -CP
MAIN(DV37M16A)- P.W.Board			R586	06S15615Y23	RES,RK 82RJ 1/16 -CP
MAIN(DV37M16A)- P.W.Board			R587	06S15615Y23	RES,RK 82RJ 1/16 -CP
MAIN(DV37M16A)- P.W.Board			R588	06S15615Y23	RES,RK 82RJ 1/16 -CP
MAIN(DV37M16A)- P.W.Board			R589	06S15615Y23	RES,RK 82RJ 1/16 -CP
MAIN(DV37M16A)- P.W.Board			R590	06S15615Y67	RES,RK 562J 1/16 -CP
MAIN(DV37M16A)- P.W.Board			R591	06S15615Y73	RES,RK 103J 1/16 -CP
MAIN(DV37M16A)- P.W.Board			R602	06S15615Y81	RES,RK 223J 1/16 -CP
MAIN(DV37M16A)- P.W.Board			R603	06S15615Y81	RES,RK 223J 1/16 -CP
MAIN(DV37M16A)- P.W.Board			R604	06S15615Y81	RES,RK 223J 1/16 -CP
MAIN(DV37M16A)- P.W.Board			R605	06S15615Y81	RES,RK 223J 1/16 -CP

Mark Model Code

#1 INA-W900

\$1 IVA-NAV-10

Others:Common.

NOTE:The part that has not PART NUMBER will not be supplied.

P.W.Board	MIS	MODEL	Ref.	Parts No.	Parts Name
MAIN(DV37M16A)- P.W.Board			R606	06S15615Y81	RES,RK 223J 1/16 -CP
MAIN(DV37M16A)- P.W.Board			R607	06S15615Y81	RES,RK 223J 1/16 -CP
MAIN(DV37M16A)- P.W.Board			R608	06S15615Y81	RES,RK 223J 1/16 -CP
MAIN(DV37M16A)- P.W.Board			R609	06S15615Y81	RES,RK 223J 1/16 -CP
MAIN(DV37M16A)- P.W.Board			R610	06S15615Y81	RES,RK 223J 1/16 -CP
MAIN(DV37M16A)- P.W.Board			R611	06S15615Y81	RES,RK 223J 1/16 -CP
MAIN(DV37M16A)- P.W.Board			R612	06S65415Y37	RES,RK 103F 1/16 -CP
MAIN(DV37M16A)- P.W.Board			R613	06S65415Y37	RES,RK 103F 1/16 -CP
MAIN(DV37M16A)- P.W.Board			R614	06S15615Y81	RES,RK 223J 1/16 -CP
MAIN(DV37M16A)- P.W.Board			R621	06S15615Y65	RES,RK 472J 1/16 -CP
MAIN(DV37M16A)- P.W.Board			R671	06S15615Y21	RES,RK 68RJ 1/16 -CP
MAIN(DV37M16A)- P.W.Board			R672	06S15615Y25	RES,RK 101J 1/16 -CP
MAIN(DV37M16A)- P.W.Board			R673	06S15615Y25	RES,RK 101J 1/16 -CP
MAIN(DV37M16A)- P.W.Board			R674	06S15615Y25	RES,RK 101J 1/16 -CP
MAIN(DV37M16A)- P.W.Board			R675	06S15615Y21	RES,RK 68RJ 1/16 -CP
MAIN(DV37M16A)- P.W.Board			R676	06S15615Y31	RES,RK 181J 1/16 -CP
MAIN(DV37M16A)- P.W.Board			R677	06S15615Y19	RES,RK 56RJ 1/16 -CP
MAIN(DV37M16A)- P.W.Board			R678	06S15615Y13	RES,RK 33RJ 1/16 -CP
MAIN(DV37M16A)- P.W.Board			R679	06S15615Y81	RES,RK 223J 1/16 -CP
MAIN(DV37M16A)- P.W.Board			R7	06S15615Y81	RES,RK 223J 1/16 -CP
MAIN(DV37M16A)- P.W.Board			R701	06S15615Y81	RES,RK 223J 1/16 -CP
MAIN(DV37M16A)- P.W.Board			R703	06S15615Y81	RES,RK 223J 1/16 -CP
MAIN(DV37M16A)- P.W.Board			R704	06S15615Y17	RES,RK 47RJ 1/16 -CP

Mark Model Code

#1 INA-W900

\$1 IVA-NAV-10

Others:Common.

NOTE:The part that has not PART NUMBER will not be supplied.

P.W.Board	MIS	MODEL	Ref.	Parts No.	Parts Name
MAIN(DV37M16A)- P.W.Board			R710	06S15615Y81	RES,RK 223J 1/16 -CP
MAIN(DV37M16A)- P.W.Board			R711	06S15615Y81	RES,RK 223J 1/16 -CP
MAIN(DV37M16A)- P.W.Board			R712	06S15615Y81	RES,RK 223J 1/16 -CP
MAIN(DV37M16A)- P.W.Board			R713	06S15615Y81	RES,RK 223J 1/16 -CP
MAIN(DV37M16A)- P.W.Board			R714	06S15615Y81	RES,RK 223J 1/16 -CP
MAIN(DV37M16A)- P.W.Board			R715	06S15615Y81	RES,RK 223J 1/16 -CP
MAIN(DV37M16A)- P.W.Board			R716	06S15615Y81	RES,RK 223J 1/16 -CP
MAIN(DV37M16A)- P.W.Board			R717	06S15615Y81	RES,RK 223J 1/16 -CP
MAIN(DV37M16A)- P.W.Board			R718	06S15615Y81	RES,RK 223J 1/16 -CP
MAIN(DV37M16A)- P.W.Board			R719	06S15615Y81	RES,RK 223J 1/16 -CP
MAIN(DV37M16A)- P.W.Board			R720	06S15615Y81	RES,RK 223J 1/16 -CP
MAIN(DV37M16A)- P.W.Board			R721	06S15615Y81	RES,RK 223J 1/16 -CP
MAIN(DV37M16A)- P.W.Board			R722	06S15615Y81	RES,RK 223J 1/16 -CP
MAIN(DV37M16A)- P.W.Board			R723	06S15615Y81	RES,RK 223J 1/16 -CP
MAIN(DV37M16A)- P.W.Board			R724	06S15615Y81	RES,RK 223J 1/16 -CP
MAIN(DV37M16A)- P.W.Board			R725	06S15615Y81	RES,RK 223J 1/16 -CP
MAIN(DV37M16A)- P.W.Board			R740	06S65415Y41	RES,RK 223F 1/16 -CP
MAIN(DV37M16A)- P.W.Board			R742	06S65415Y24	RES,RK 821F 1/16 -CP
MAIN(DV37M16A)- P.W.Board			R743	06S65415Y43	RES,RK 333F 1/16 -CP
MAIN(DV37M16A)- P.W.Board			R752	06S15615Y09	RES,RK 22RJ 1/16 -CP
MAIN(DV37M16A)- P.W.Board			R753	06S15615Y21	RES,RK 68RJ 1/16 -CP
MAIN(DV37M16A)- P.W.Board			R754	06S15615Y21	RES,RK 68RJ 1/16 -CP
MAIN(DV37M16A)- P.W.Board			R755	06S15615Y21	RES,RK 68RJ 1/16 -CP

Mark Model Code

#1 INA-W900

\$1 IVA-NAV-10

Others:Common.

NOTE:The part that has not PART NUMBER will not be supplied.

P.W.Board	MIS	MODEL	Ref.	Parts No.	Parts Name
MAIN(DV37M16A)- P.W.Board			R756	06S15615Y21	RES,RK 68RJ 1/16 -CP
MAIN(DV37M16A)- P.W.Board			R757	06S15615Y21	RES,RK 68RJ 1/16 -CP
MAIN(DV37M16A)- P.W.Board			R758	06S15615Y21	RES,RK 68RJ 1/16 -CP
MAIN(DV37M16A)- P.W.Board			R759	06S15615Y21	RES,RK 68RJ 1/16 -CP
MAIN(DV37M16A)- P.W.Board			R760	06S15615Y21	RES,RK 68RJ 1/16 -CP
MAIN(DV37M16A)- P.W.Board			R761	06S15615Y21	RES,RK 68RJ 1/16 -CP
MAIN(DV37M16A)- P.W.Board			R762	06S15615Y21	RES,RK 68RJ 1/16 -CP
MAIN(DV37M16A)- P.W.Board			R763	06S15615Y21	RES,RK 68RJ 1/16 -CP
MAIN(DV37M16A)- P.W.Board			R764	06S15615Y21	RES,RK 68RJ 1/16 -CP
MAIN(DV37M16A)- P.W.Board			R765	06S15615Y21	RES,RK 68RJ 1/16 -CP
MAIN(DV37M16A)- P.W.Board			R766	06S15615Y21	RES,RK 68RJ 1/16 -CP
MAIN(DV37M16A)- P.W.Board			R767	06S15615Y21	RES,RK 68RJ 1/16 -CP
MAIN(DV37M16A)- P.W.Board			R768	06S15615Y21	RES,RK 68RJ 1/16 -CP
MAIN(DV37M16A)- P.W.Board			R769	06S15615Y21	RES,RK 68RJ 1/16 -CP
MAIN(DV37M16A)- P.W.Board			R770	06S15615Y21	RES,RK 68RJ 1/16 -CP
MAIN(DV37M16A)- P.W.Board			R771	06S15615Y21	RES,RK 68RJ 1/16 -CP
MAIN(DV37M16A)- P.W.Board			R772	06S15615Y21	RES,RK 68RJ 1/16 -CP
MAIN(DV37M16A)- P.W.Board			R780	06S15615Y25	RES,RK 101J 1/16 -CP
MAIN(DV37M16A)- P.W.Board			R781	06S15615Y25	RES,RK 101J 1/16 -CP
MAIN(DV37M16A)- P.W.Board			R782	06S15615Y25	RES,RK 101J 1/16 -CP
MAIN(DV37M16A)- P.W.Board			R783	06S15615Y25	RES,RK 101J 1/16 -CP
MAIN(DV37M16A)- P.W.Board			R784	06S15615Y25	RES,RK 101J 1/16 -CP
MAIN(DV37M16A)- P.W.Board			R785	06S15615Y25	RES,RK 101J 1/16 -CP

Mark Model Code

#1 INA-W900

\$1 IVA-NAV-10

Others:Common.

NOTE:The part that has not PART NUMBER will not be supplied.

P.W.Board	MIS	MODEL	Ref.	Parts No.	Parts Name
MAIN(DV37M16A)- P.W.Board			R786	06S15615Y25	RES,RK 101J 1/16 -CP
MAIN(DV37M16A)- P.W.Board			R787	06S15615Y25	RES,RK 101J 1/16 -CP
MAIN(DV37M16A)- P.W.Board			R788	06S15615Y25	RES,RK 101J 1/16 -CP
MAIN(DV37M16A)- P.W.Board			R789	06S15615Y25	RES,RK 101J 1/16 -CP
MAIN(DV37M16A)- P.W.Board			R790	06S15615Y25	RES,RK 101J 1/16 -CP
MAIN(DV37M16A)- P.W.Board			R791	06S15615Y25	RES,RK 101J 1/16 -CP
MAIN(DV37M16A)- P.W.Board			R792	06S15615Y25	RES,RK 101J 1/16 -CP
MAIN(DV37M16A)- P.W.Board			R793	06S15615Y25	RES,RK 101J 1/16 -CP
MAIN(DV37M16A)- P.W.Board			R794	06S15615Y25	RES,RK 101J 1/16 -CP
MAIN(DV37M16A)- P.W.Board			R795	06S15615Y25	RES,RK 101J 1/16 -CP
MAIN(DV37M16A)- P.W.Board			R801	06S15615Y25	RES,RK 101J 1/16 -CP
MAIN(DV37M16A)- P.W.Board			R802	06S15615Y25	RES,RK 101J 1/16 -CP
MAIN(DV37M16A)- P.W.Board			R803	06S15615Y81	RES,RK 223J 1/16 -CP
MAIN(DV37M16A)- P.W.Board			R804	06S15615Y81	RES,RK 223J 1/16 -CP
MAIN(DV37M16A)- P.W.Board			R805	06S15615Y81	RES,RK 223J 1/16 -CP
MAIN(DV37M16A)- P.W.Board			R806	06S15615Y81	RES,RK 223J 1/16 -CP
MAIN(DV37M16A)- P.W.Board			R807	06S15615Y25	RES,RK 101J 1/16 -CP
MAIN(DV37M16A)- P.W.Board			R808	06S15615Y25	RES,RK 101J 1/16 -CP
MAIN(DV37M16A)- P.W.Board			R809	06S15615Y25	RES,RK 101J 1/16 -CP
MAIN(DV37M16A)- P.W.Board			R810	06S15615Y73	RES,RK 103J 1/16 -CP
MAIN(DV37M16A)- P.W.Board			R811	06S15615Y73	RES,RK 103J 1/16 -CP
MAIN(DV37M16A)- P.W.Board			R812	06S15615Y73	RES,RK 103J 1/16 -CP
MAIN(DV37M16A)- P.W.Board			R813	06S15615Y73	RES,RK 103J 1/16 -CP

Mark Model Code

#1 INA-W900

\$1 IVA-NAV-10

Others:Common.

NOTE:The part that has not PART NUMBER will not be supplied.

P.W.Board	MIS	MODEL	Ref.	Parts No.	Parts Name
MAIN(DV37M16A)- P.W.Board			R814	06S15615Y73	RES,RK 103J 1/16 -CP
MAIN(DV37M16A)- P.W.Board			R815	06S15615Y73	RES,RK 103J 1/16 -CP
MAIN(DV37M16A)- P.W.Board			R816	06S65415Y31	RES,RK 332F 1/16 -CP
MAIN(DV37M16A)- P.W.Board			R819	06S65415Y45	RES,RK 473F 1/16 -CP
MAIN(DV37M16A)- P.W.Board			R820	06S15615Y73	RES,RK 103J 1/16 -CP
MAIN(DV37M16A)- P.W.Board			R821	06S15615Y81	RES,RK 223J 1/16 -CP
MAIN(DV37M16A)- P.W.Board			R822	06S15615Y73	RES,RK 103J 1/16 -CP
MAIN(DV37M16A)- P.W.Board			R823	06S15615Y81	RES,RK 223J 1/16 -CP
MAIN(DV37M16A)- P.W.Board			R824	06S15615Y25	RES,RK 101J 1/16 -CP
MAIN(DV37M16A)- P.W.Board			R825	06S15615Y25	RES,RK 101J 1/16 -CP
MAIN(DV37M16A)- P.W.Board			R851	06S15615Y25	RES,RK 101J 1/16 -CP
MAIN(DV37M16A)- P.W.Board			R853	06S55364Y42	RES,RK 1R0J 1/8 -CP
MAIN(DV37M16A)- P.W.Board			R854	06S55364Y42	RES,RK 1R0J 1/8 -CP
MAIN(DV37M16A)- P.W.Board			R855	06S55364Y42	RES,RK 1R0J 1/8 -CP
MAIN(DV37M16A)- P.W.Board			R856	06S55364Y42	RES,RK 1R0J 1/8 -CP
MAIN(DV37M16A)- P.W.Board			R857	06S15615Y33	RES,RK 221J 1/16 -CP
MAIN(DV37M16A)- P.W.Board			R858	06S15615Y27	RES,RK 121J 1/16 -CP
MAIN(DV37M16A)- P.W.Board			R859	06S45674W02	RES,RK 2R7J 1/10 -CP
MAIN(DV37M16A)- P.W.Board			R860	06S45674W02	RES,RK 2R7J 1/10 -CP
MAIN(DV37M16A)- P.W.Board			R861	06S45674W02	RES,RK 2R7J 1/10 -CP
MAIN(DV37M16A)- P.W.Board			R862	06S45674W02	RES,RK 2R7J 1/10 -CP
MAIN(DV37M16A)- P.W.Board			R863	06S45674W02	RES,RK 2R7J 1/10 -CP
MAIN(DV37M16A)- P.W.Board			R864	06S45674W02	RES,RK 2R7J 1/10 -CP

Mark Model Code

#1 INA-W900

\$1 IVA-NAV-10

Others:Common.

NOTE:The part that has not PART NUMBER will not be supplied.

P.W.Board	MIS	MODEL	Ref.	Parts No.	Parts Name
MAIN(DV37M16A)- P.W.Board			R865	06S45674W02	RES,RK 2R7J 1/10 -CP
MAIN(DV37M16A)- P.W.Board			R866	06S45674W02	RES,RK 2R7J 1/10 -CP
MAIN(DV37M16A)- P.W.Board			R867	06S45674W02	RES,RK 2R7J 1/10 -CP
MAIN(DV37M16A)- P.W.Board			R868	06S45674W02	RES,RK 2R7J 1/10 -CP
MAIN(DV37M16A)- P.W.Board			R871	06S15615Y49	RES,RK 102J 1/16 -CP
MAIN(DV37M16A)- P.W.Board			R872	06S15615Y23	RES,RK 82RJ 1/16 -CP
MAIN(DV37M16A)- P.W.Board			R873	06S15615Y23	RES,RK 82RJ 1/16 -CP
MAIN(DV37M16A)- P.W.Board			R879	06S15615Y81	RES,RK 223J 1/16 -CP
MAIN(DV37M16A)- P.W.Board			R881	06S15615Y35	RES,RK 271J 1/16 -CP
MAIN(DV37M16A)- P.W.Board			R882	06S15615Y41	RES,RK 471J 1/16 -CP
MAIN(DV37M16A)- P.W.Board			R883	06S15615Y09	RES,RK 22RJ 1/16 -CP
MAIN(DV37M16A)- P.W.Board			R885	06S45675W06	RES,RK 104J 1/10 -CP
MAIN(DV37M16A)- P.W.Board			R886	06S65522Y19	RES,RK 3R3F 1/4 -CP
MAIN(DV37M16A)- P.W.Board			R888	06S15615Y81	RES,RK 223J 1/16 -CP
MAIN(DV37M16A)- P.W.Board			R890	06S15615Y81	RES,RK 223J 1/16 -CP
MAIN(DV37M16A)- P.W.Board			R891	06S15615Y35	RES,RK 271J 1/16 -CP
MAIN(DV37M16A)- P.W.Board			R892	06S15615Y41	RES,RK 471J 1/16 -CP
MAIN(DV37M16A)- P.W.Board			R893	06S15615Y09	RES,RK 22RJ 1/16 -CP
MAIN(DV37M16A)- P.W.Board			R895	06S45675W06	RES,RK 104J 1/10 -CP
MAIN(DV37M16A)- P.W.Board			R896	06S65522Y19	RES,RK 3R3F 1/4 -CP
MAIN(DV37M16A)- P.W.Board			R898	06S65522Y24	RES,RK 8R2F 1/4 -CP
MAIN(DV37M16A)- P.W.Board			R899	06S35083Y52	RES,RK 1R0F 1/4 -CP
MAIN(DV37M16A)- P.W.Board			R901	06S65415Y41	RES,RK 223F 1/16 -CP






Mark Model Code

#1 INA-W900

\$1 IVA-NAV-10

Others:Common.

NOTE:The part that has not PART NUMBER will not be supplied.

P.W.Board	MIS	MODEL	Ref.	Parts No.	Parts Name
MAIN(DV37M16A)- P.W.Board			R902	06S65415Y33	RES,RK 472F 1/16 -CP
MAIN(DV37M16A)- P.W.Board			R903	06S65415Y37	RES,RK 103F 1/16 -CP
MAIN(DV37M16A)- P.W.Board			R905	06S65415Y38	RES,RK 123F 1/16 -CP
MAIN(DV37M16A)- P.W.Board			R911	06S65415Y19	RES,RK 331F 1/16 -CP
MAIN(DV37M16A)- P.W.Board			R912	06S65415Y19	RES,RK 331F 1/16 -CP
MAIN(DV37M16A)- P.W.Board			R921	06S65415Y19	RES,RK 331F 1/16 -CP
MAIN(DV37M16A)- P.W.Board			R922	06S65415Y19	RES,RK 331F 1/16 -CP
MAIN(DV37M16A)- P.W.Board			R931	06S65415Y19	RES,RK 331F 1/16 -CP
MAIN(DV37M16A)- P.W.Board			R932	06S65415Y19	RES,RK 331F 1/16 -CP
MAIN(DV37M16A)- P.W.Board			R951	06S15615Y13	RES,RK 33RJ 1/16 -CP
MAIN(DV37M16A)- P.W.Board			R952	06S15615Y81	RES,RK 223J 1/16 -CP
MAIN(DV37M16A)- P.W.Board			RA510	06S15771Y12	RES,ARYEXB28V82RJ-CP
MAIN(DV37M16A)- P.W.Board			RA511	06S15771Y12	RES,ARYEXB28V82RJ-CP
MAIN(DV37M16A)- P.W.Board			RA512	06S15771Y12	RES,ARYEXB28V82RJ-CP
MAIN(DV37M16A)- P.W.Board			RA513	06S15771Y12	RES,ARYEXB28V82RJ-CP
MAIN(DV37M16A)- P.W.Board			SW801	40T55230Y01	SW,DETCT ESE13V01CE5
MAIN(DV37M16A)- P.W.Board			SW802	40T55230Y01	SW,DETCT ESE13V01CE5
MAIN(DV37M16A)- P.W.Board			SW803	40T55043Y02	SW,DETCT SPVL12 -E5
MAIN(DV37M16A)- P.W.Board			SW804	40T15494Y12	SW,DETCT SPVG2303-E6
MAIN(DV37M16A)- P.W.Board			SW805	40T55230Y01	SW,DETCT ESE13V01CE5
MAIN(DV37M16A)- P.W.Board			TH801	48T75201Y03	TMT,NCP15XH103F0S-CP
MAIN(DV37M16A)- P.W.Board			TH802	48T75201Y03	TMT,NCP15XH103F0S-CP
MAIN(DV37M16A)- P.W.Board			VR901	18T25572Y11	VAR,TMC3ADC 472-X-CP

Mark Model Code

#1 INA-W900

\$1 IVA-NAV-10

Others:Common.

NOTE:The part that has not PART NUMBER will not be supplied.

P.W.Board	MIS	MODEL	Ref.	Parts No.	Parts Name
MAIN(DV37M16A)- P.W.Board			XL601	91T75115Y01	XTL,FXO-64FL2 27M-E2
MAIN(DV37M16A)- P.W.Board			Z550	91T75196Y23	EMI,BK1005LL181 -CP
MAIN(DV37M16A)- P.W.Board			Z551	91T75196Y23	EMI,BK1005LL181 -CP
MAIN(DV37M16A)- P.W.Board			Z552	91T75196Y23	EMI,BK1005LL181 -CP
MAIN(DV37M16A)- P.W.Board			Z553	91T75196Y23	EMI,BK1005LL181 -CP
MAIN(DV37M16A)- P.W.Board			Z554	91T75196Y23	EMI,BK1005LL181 -CP
MAIN(DV37M16A)- P.W.Board			Z671	91T75196Y23	EMI,BK1005LL181 -CP
MAIN(DV37M16A)- P.W.Board			Z672	91T75196Y15	EMI,BK1005HM121 -CP
MAIN(DV37M16A)- P.W.Board			Z673	91T75196Y15	EMI,BK1005HM121 -CP
MAIN(DV37M16A)- P.W.Board			Z674	91T75196Y15	EMI,BK1005HM121 -CP
MAIN(DV37M16A)- P.W.Board			Z675	91T75196Y15	EMI,BK1005HM121 -CP
MAIN(DV37M16A)- P.W.Board			Z676	91T75196Y15	EMI,BK1005HM121 -CP
MAIN(DV37M16A)- P.W.Board			Z677	91T75196Y23	EMI,BK1005LL181 -CP
MAIN(DV37M16A)- P.W.Board			Z902	91T75196Y01	EMI,BK1005HM102 -CP
MAIN(DV37M16A)- P.W.Board			Z903	91T75196Y01	EMI,BK1005HM102 -CP
MAIN(DV37M16A)- P.W.Board			Z904	91T75196Y01	EMI,BK1005HM102 -CP
MAIN(DV37M16A)- P.W.Board			Z951	91T75196Y19	EMI,BK1005LL220 -CP
LIMIT(DV37M16A)- P.W.Board			SW406	40T15494Y12	SW,DETCT SPVG2303-E6
Miscellaneous			HD101	EP-05381Z01	ED21A55L-E
Miscellaneous			M101	59-03798Z02	MOTOR,M1N10RB95GH1
Miscellaneous			M102	59-09841Z06	MOTOR,25C030C021 A
Miscellaneous			M103	59T65142Y01	MOTOR,MSDV020L01

Mark Model Code

#1 INA-W900

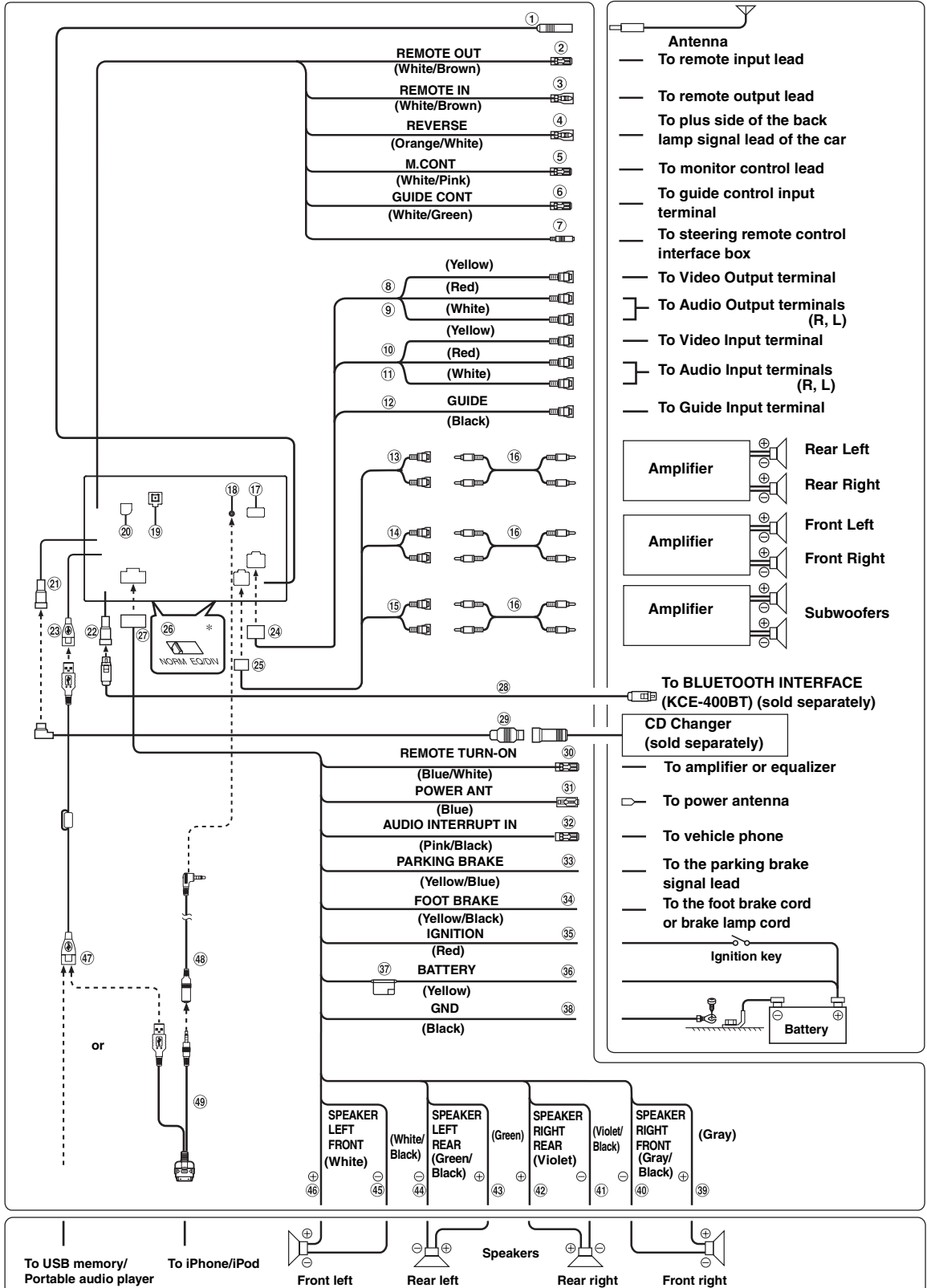
\$1 IVA-NAV-10

Others:Common.

NOTE:The part that has not PART NUMBER will not be supplied.

System Connection

Connections



• Set the system switch to “NORM” when only a changer is connected (when the Ai-NET compatible equalizer is not used). When the IMPRINT audio processor is connected, set to EQ/DIV position.
 * The two system switches are located on the bottom of the unit.

- ① **Radio Antenna Receptacle**
- ② **Remote Control Output Lead (White/Brown)**
Connect this lead to the remote control input lead. This lead outputs the controlling signals from the remote control.
- ③ **Remote Control Input Lead (White/Brown)**
Connect the external Alpine product to the remote control output lead.
- ④ **Reverse Lead (Orange/White)**
Use only when a back-up camera is connected. Connect to the plus side of the car's reverse lamp. This lamp illuminates when the transmission is shifted into reverse (R).
With this lead properly wired, the video picture automatically switches to the back-up camera whenever the car is put into reverse (R).
- ⑤ **Monitor Control Lead (White/Pink)**
Connect this to the Monitor Control Lead of the touch panel-compatible rear monitor.
- ⑥ **Guide Control Lead (White/Green)**
Use when an optional External Audio Processor with guide control input terminal is connected.
- ⑦ **Steering Remote Control Interface Connector**
To steering remote control interface box.
For details about connections, consult your nearest Alpine dealer.
- ⑧ **Video Input Connector (AUX INPUT) (Yellow)**
Input the video.
- ⑨ **Audio Input Connectors (AUX INPUT)**
RED is right and WHITE is left input the audio.
- ⑩ **Video Output Connector (AUX OUTPUT) (Yellow)**
Output the video.
- ⑪ **Audio Output Connectors (AUX OUTPUT)**
RED is right and WHITE is left output the audio.
- ⑫ **Guide Connector (Black)**
Output the audio signal of navigation interruption.
When connecting an IMPRINT Audio processor (PXA-H100), connect this lead to the Guide Input terminal with an optional RCA Extension cable.
- ⑬ **Rear Output/Input RCA Connectors**
It can be used as Rear Output or Input RCA Connectors.
- ⑭ **Front Output/Input RCA Connectors**
It can be used as Front Output or Input RCA Connectors.
- ⑮ **Subwoofer RCA Connectors**
RED is right and WHITE is left.
- ⑯ **RCA Extension Cable (sold separately)**
- ⑰ **Direct CAMERA Input Connector**
Use when the optional rearview camera HCE-C107D, etc. is connected.
- ⑱ **iPod AUDIO/VIDEO Input Connector**
Connect this to the AV extension cable.
- ⑲ **GPS Antenna Receptacle**
To GPS Antenna.
- ⑳ **EX-Port**
Use for future system expansion.
- ㉑ **Ai-NET Connector**
Connect this to the output or input connector of another device (CD Changer, Equalizer, etc.) equipped with Ai-NET.

- *Be sure to set "Setting the Connected Head Unit (MODEL SETUP)" to "DVD CHG", when the DHA-S690 is connected.*

- ㉒ **BLUETOOTH interface Connector**
Connect this to an optional BLUETOOTH INTERFACE (KCE-400BT). To use a hands-free mobile phone, an optional BLUETOOTH INTERFACE (KCE-400BT) connection is required. For details on connection, refer to the Owner's Manual of the BLUETOOTH INTERFACE (KCE-400BT). You can also connect this to an external device (such as a portable player) by using conversion cable (KCE-237B) for building up the AUX IN (sold separately).
- AUX+ ON: When the external device is connected.
AUX+ OFF: When set to OFF, AUX+ source cannot be selected.
- ㉓ **USB Connector**
 - ㉔ **AUX I/O Connector**
 - ㉕ **RCA Output/Input Connector**
 - ㉖ **System Switch**
When connecting an IMPRINT Audio Processor (PXA-H100) or divider using Ai-NET feature, place the two switches in the EQ/DIV position. When no device is connected, leave the switches in the NORM position.
- *Do not make the two switches to different settings.*
 - *Be sure to turn the power off to the unit before changing the switch position.*
- ㉗ **Power Supply Connector**
 - ㉘ **KCE-400BT Connection Cable (Included with KCE-400BT)**
 - ㉙ **Ai-NET Cable (Included with CD Changer)**
 - ㉚ **Remote Turn-On Lead (Blue/White)**
Connect this lead to the remote turn-on lead of your amplifier or signal processor.
 - ㉛ **Power Antenna Lead (Blue)**
Connect this lead to the +B terminal of your power antenna, if applicable.
- *This lead should be used only for controlling the vehicle's power antenna. Do not use this lead to turn on an amplifier or a signal processor, etc.*
- ㉜ **Audio Interrupt In Lead (Pink/Black)**
 - ㉝ **Parking Brake Lead (Yellow/Blue)**
Connect this lead to the power supply side of the parking brake switch to transmit the parking brake status signals to the INA-W900.
 - ㉞ **Foot Brake Lead (Yellow/Black)**
Connect to the vehicle's foot brake lead or brake lamp lead.
 - ㉟ **Switched Power Lead (Ignition) (Red)**
Connect this lead to an open terminal on the vehicle's fuse box or another unused power source which provides (+) 12V only when the ignition is turned on or in the accessory position.
 - ㊱ **Battery Lead (Yellow)**
Connect this lead to the positive (+) post of the vehicle's battery.
 - ㊲ **Fuse Holder (10A)**

③⑧ **Ground Lead (Black)**

Connect this lead to a good chassis ground on the vehicle. Make sure the connection is made to bare metal and is securely fastened using the sheet metal screw provided.

③⑨ **Right Front (+) Speaker Output Lead (Gray)**

④⑩ **Right Front (-) Speaker Output Lead (Gray/Black)**

④① **Right Rear (-) Speaker Output Lead (Violet/Black)**

④② **Right Rear (+) Speaker Output Lead (Violet)**

④③ **Left Rear (+) Speaker Output Lead (Green)**

④④ **Left Rear (-) Speaker Output Lead (Green/Black)**

④⑤ **Left Front (-) Speaker Output Lead (White/Black)**

④⑥ **Left Front (+) Speaker Output Lead (White)**

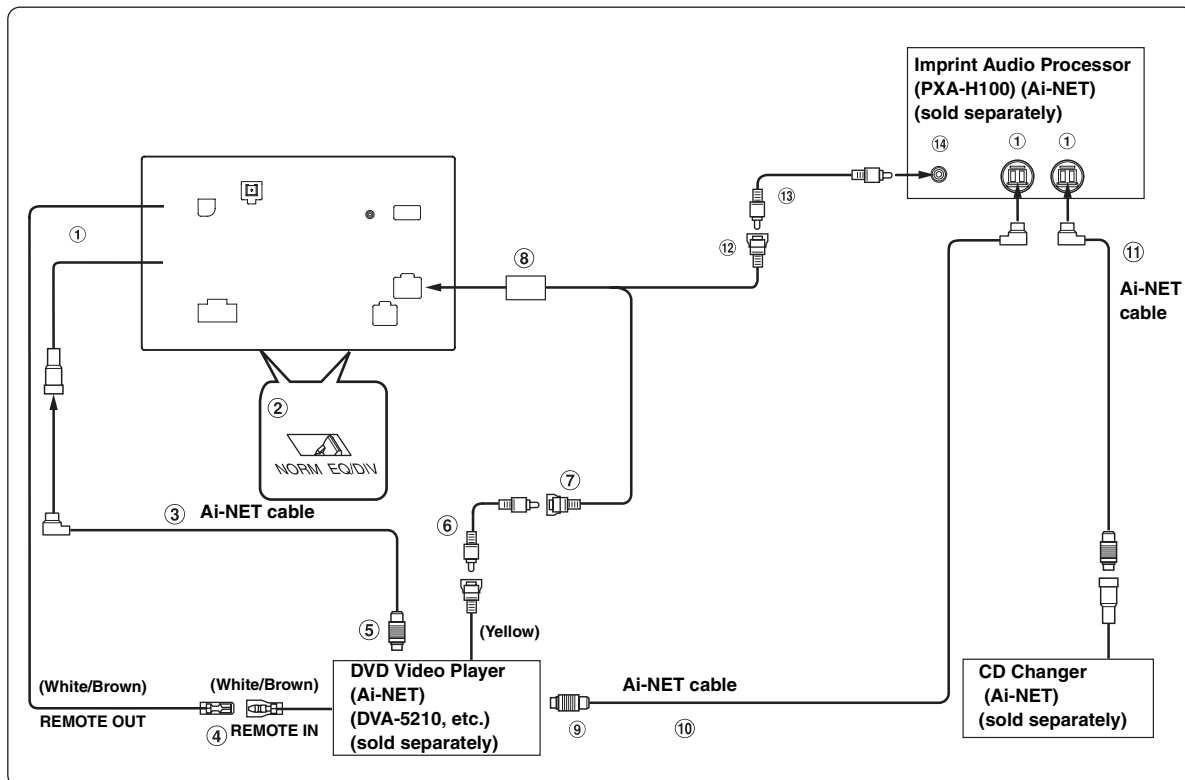
④⑦ **USB extension cable (Included)**

④⑧ **AV extension cable (Included)**

④⑨ **USB 30P cable (Included)**

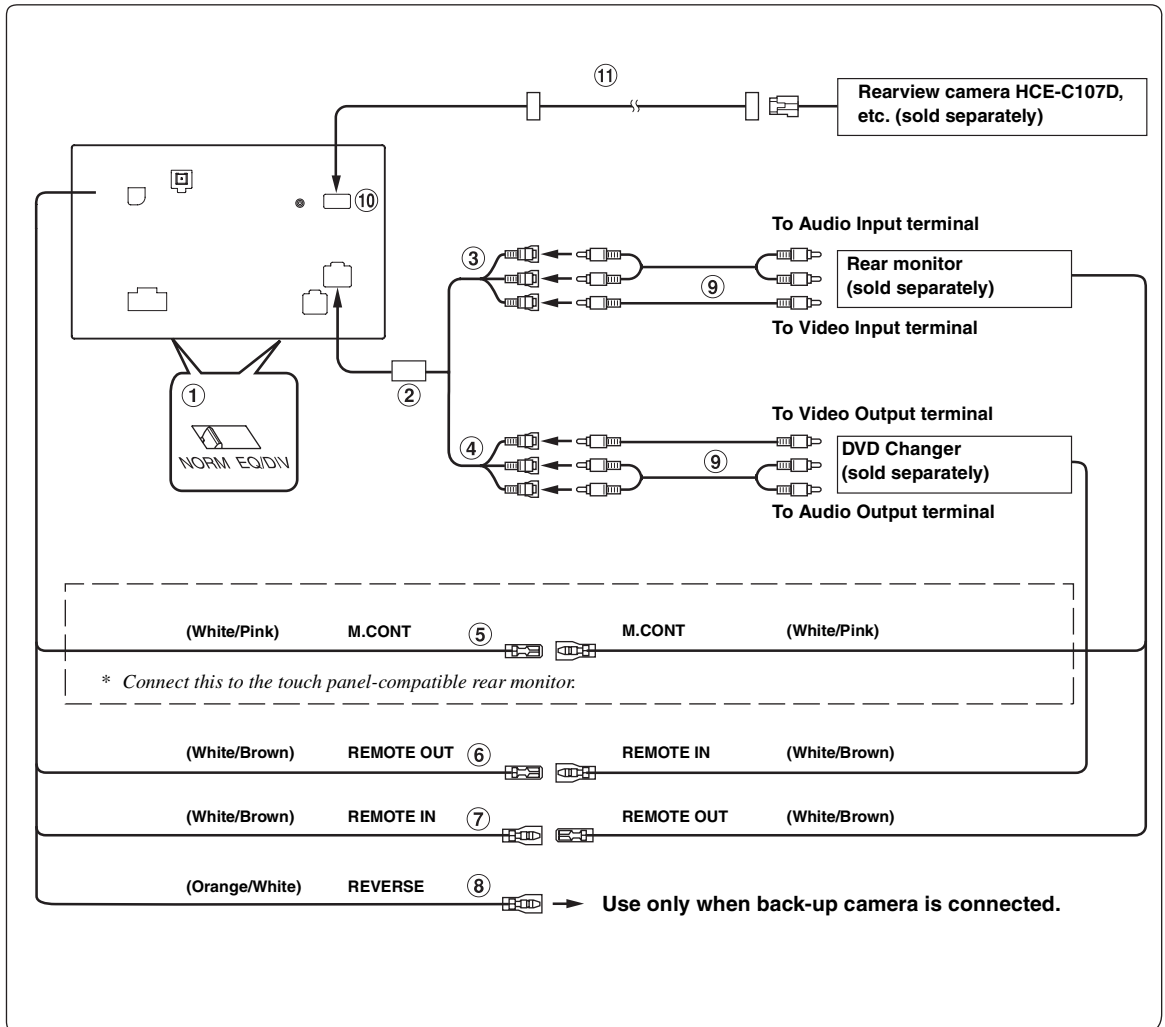
System Example

Connect the Ai-NET compatible Imprint audio processor (PXA-H100) DVD player and changer.



- ① **Ai-NET Connector**
Connect this to the output or input connector of other product equipped with Ai-NET.
- ② **System Switch**
When connecting an IMPRINT audio processor or divider using Ai-NET feature, place the two switches in the EQ/DIV position. When no device is connected, leave the switches in the NORM position.
 - Do not make the two switches to different settings.
 - Be sure to turn the power off to the unit before changing the switch position.
- ③ **Ai-NET Cable (Included with DVD video player)**
- ④ **Remote Control Output Lead (White/Brown)**
Connect this lead to the remote control input lead. This lead outputs the controlling signals from the remote control.
- ⑤ **To Ai-NET Connector (Gray)**
- ⑥ **RCA Extension Cable (Included with DVD video player)**
- ⑦ **Video Input Connector (AUX INPUT) (Yellow)**
Connect the video output lead of a DVD video player or DVD changer to this terminal.
- ⑧ **AUX I/O Connector**
- ⑨ **To Ai-NET Connector (Black)**
- ⑩ **Ai-NET Cable (Included with IMPRINT Audio Processor (PXA-H100))**
- ⑪ **Ai-NET Cable (Included with CD Changer)**
- ⑫ **Guide Connector (Yellow)**
Output the audio signal of navigation interruption.
- ⑬ **RCA Extension Cable (sold separately)**
- ⑭ **Guide Input terminal**

When Connecting External Equipment



① System Switch

When connecting an IMPRINT audio processor or divider using Ai-NET feature, place the two switches in the EQ/DIV position. When no device is connected, leave the switches in the NORM position.

- Do not make the two switches to different settings.
- Be sure to turn the power off to the unit before changing the switch position.

② AUX I/O Camera In Connector

③ Video/Audio Output Connectors (AUX OUTPUT)

Use when connecting an optional monitor etc.

④ Video/Audio Input Connectors (AUX INPUT)

⑤ Monitor Control Lead (White/Pink)

Connect this to the Monitor Control Lead of the touch panel-compatible rear monitor.

⑥ Remote Control Output Lead (White/Brown)

Connect this lead to the remote control input lead. This lead outputs the controlling signals from the remote control.

⑦ Remote Control Input Lead (White/Brown)

⑧ Reverse Lead (Orange/White)

Use only when a back-up camera is connected. Connect to the plus side of the car's reverse lamp. This lamp illuminates when the transmission is shifted into reverse (R). With this lead properly wired, the video picture automatically switches to the back-up camera whenever the car is put into reverse (R).

⑨ RCA Extension Cable (sold separately)

⑩ Direct CAMERA Input Connector

Use when the optional rearview camera HCE-C107D, etc. is connected.

⑪ Camera extension cable (Included with Rear camera)