



PARTS LIST

CD RECEIVER

KD-A925BTJ
KD-R921BTEY

KD-R921BTE
KD-R926BTU
KD-R926BTUT

KD-R921BTEU
KD-R926BTUH



■ PRECAUTIONS ON SCHEMATIC DIAGRAMS

- Due to the improvement in performance, some part numbers shown in the circuit diagrams may not agree with those indicated in the Parts List.
- The parts numbers, values and rated voltage etc. in the Schematic Diagrams are for reference only.
- Since the circuit diagrams are standard ones, the circuits and circuit constants may be subject to change for improvement without any notice.

■ PRECAUTIONS ON PARTS LIST

- The parts identified by the \triangle symbol are critical for safety. Whenever replacing these parts, be sure to use specified ones to secure the safety.
- The parts not indicated in this Parts List and those which are filled with lines --- in the Parts No. columns will not be supplied.
- P.W. BOARD Ass'y will not be supplied, but those which are filled with the Parts No. in the Parts No. columns will be supplied.
- When ordering chips, screws etc., place bulk orders (unit of tens) whenever possible to improve shipping efficiency.
- There are cases where the actual implemented parts in the sets and the service parts are different. When ordering parts, make sure to refer to the Parts List.

■ PRECAUTIONS ON SERVICE

Certain parts of the power circuits and the GNDs differ according to the models. Care must be taken for the following points as the differences are indicated separately in the LIVE GND () and the ISOLATED (NEUTRAL) GND () .

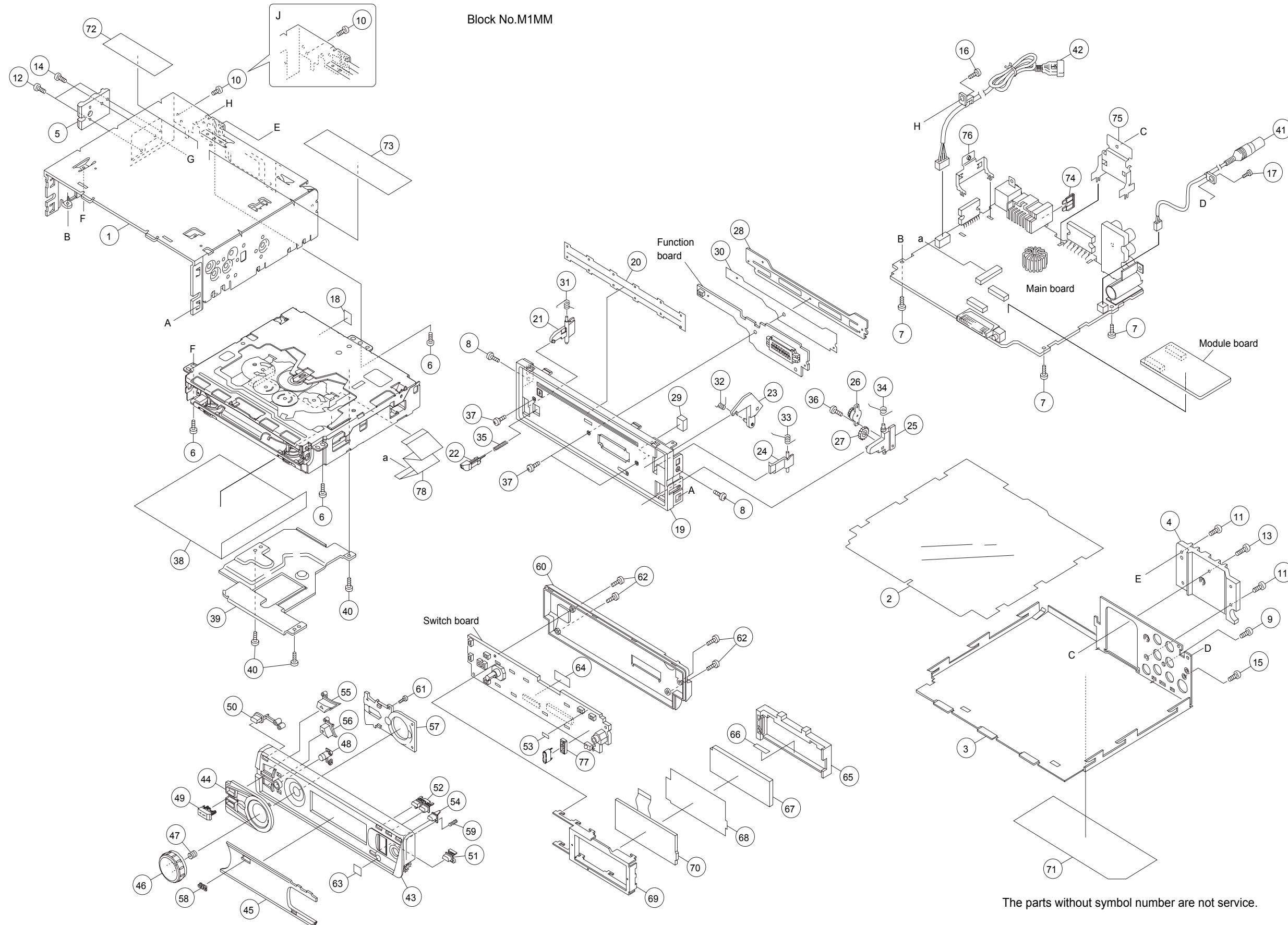
1. Do not touch the LIVE GND, or do not touch the LIVE GND and the ISOLATED (NEUTRAL) GND at the same time. It may cause an electric shock.
Before pulling out the chassis or other parts, make sure to pull out the power cord from the wall outlet first.
2. Do not short circuit between the LIVE GND and ISOLATED (NEUTRAL) GND, or never measure the LIVE GND and ISOLATED (NEUTRAL) GND at the same time using measuring instruments (oscilloscope, etc.). It may blow fuses or damage other parts.

■ DEVIATION TOLERANCE RANGE

DEVIATION TOLERANCE RANGE									
F	G	J	K	M	N	R	H	Z	P
± 1%	± 2%	± 5%	±10%	±20%	±30%	+30% -10%	+50% -10%	+80% -20%	+100% -0%

Exploded view of general assembly

Block No.M1MM

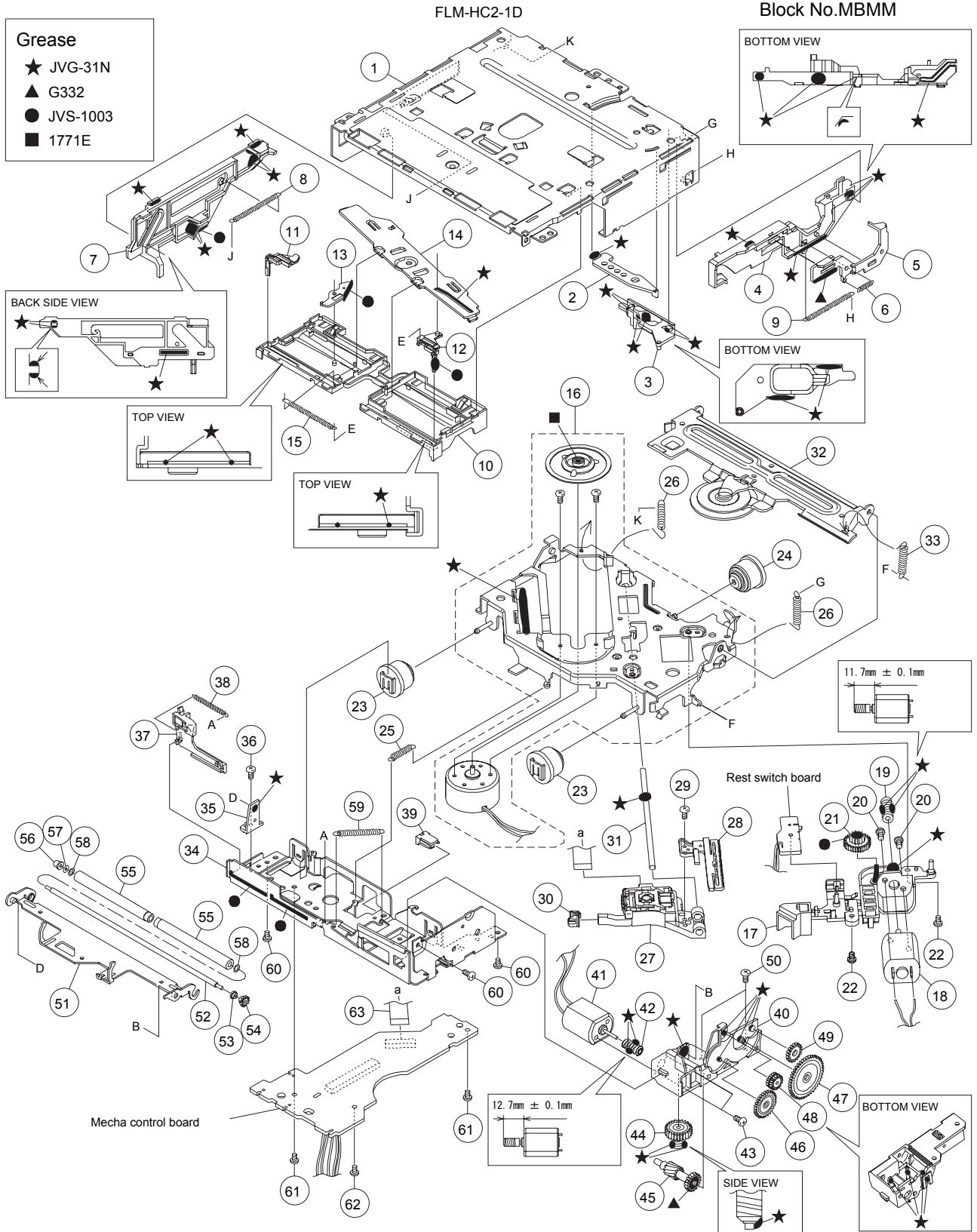


The parts without symbol number are not service.

MODEL	MARK	MODEL	MARK	MODEL	MARK	MODEL	MARK
KD-A925BTJ	A	KD-R921BTE	B	KD-R921BTEU	C	KD-R921BTEY	D
KD-R926BTU	E	KD-R926BTUH	F	KD-R926BTUT	G		

Safe	Symbol No.	Parts No.	Parts Name	Description	QTY	Local
General assembly <M1MM>						
	1	GE10258-007A	TOP CHASSIS		1	A
	1	GE10258-008A	TOP CHASSIS		1	B,C,D,E,F,G
	2	GE33497-003A	INSULATOR		1	
	3	GE20254-007A	BOTTOM COVER		1	
	4	GE33234-001A	HEAT SINK		1	
	5	GE40395-001A	SIDE PANEL		1	
	6	QYSDST2604ZA	TAP SCREW	M2.6 x 4mm	3	
	7	LV44800-005A	SPECIAL SCREW		3	
	8	QYSDST2004ZA	TAP SCREW	M2 x 4mm	2	
	9	QYSDSF2608ZA	TAP SCREW	M2.6 x 8mm	1	
	10	QYSDST2606ZA	TAP SCREW	M2.6 x 6mm	1	A
	10	QYSDST2604ZA	TAP SCREW	M2.6 x 4mm	1	B,C,D,E,F,G
	11	GE40377-003A	SPECIAL SCREW		2	
	12	LV44800-005A	SPECIAL SCREW		2	
	13	QYSDST2610ZA	TAP SCREW	M2.6 x 10mm	1	
	14	QYSDST2608ZA	TAP SCREW	M2.6 x 8mm	1	
	15	QYSDST2606ZA	TAP SCREW	M2.6 x 6mm	1	
	16	QYSDST2606ZA	TAP SCREW	M2.6 x 6mm	1	
	17	QYSDST2606ZA	TAP SCREW	M2.6 x 6mm	1	
	18	GE40218-084A	SHEET		1	
	19	GE33503-001A	FRONT CHASSIS		1	
	20	GE40454-001A	BLIND		1	
	21	GE33084-001A	LOCK LEVER(L)		1	
	22	GE33493-001A	DETACH LEVER		1	
	23	GE33491-001A	OPEN LEVER		1	
	24	GE33492-001A	LOCK LEVER(T)		1	
	25	GE33083-001A	LOCK LEVER(R)		1	
	26	QZW0108-002	DAMPER		1	
	27	GE40154-001A	GEAR		1	
	28	GE33495-001A	CONNECTOR BKT		1	
	29	GE40466-004A	SPACER		1	
	30	GE40462-001A	INSULATOR		1	
	31	GE40456-002A	SPRING LOCK		1	
	32	GE40461-001A	SPRING		1	
	33	GE40455-003A	SPRING LOCK		1	
	34	GE40472-001A	TORSION SPRING		1	
	35	GE40202-023A	T. SPRING		1	
	36	QYSDSF2006ZA	TAP SCREW	M2 x 6mm	1	
	37	GE40425-001A	MINI SCREW		3	
	38	GE34327-002A	SHIELD COVER		1	
	39	GE34465-001A	SHIELD PLATE		1	
	40	QYSDST2004ZA	TAP SCREW	M2 x 4mm	3	
	41	QAM1370-001	MIC CABLE		1	
	42	QAM1077-003	USB CABLE		1	
	43	GE33499-004A	PANEL ASSY		1	A
	43	GE33499-005A	PANEL ASSY		1	B,C,D,E,F,G
	44	GE33502-006A	FINDER L ASSY		1	A,E,F,G
	44	GE33502-007A	FINDER L ASSY		1	B,C,D
	45	GE33501-011A	FINDER ASSY		1	A
	45	GE33501-013A	FINDER ASSY		1	B,C,D
	45	GE33501-012A	FINDER ASSY		1	E,F,G
	46	GE33437-003A	VOLUME KNOB		1	
	47	GE40127-005A	KNOB SPRING		1	
	48	GE40458-007A	PUSH BUTTON		1	
	49	GE33476-001A	SEARCH BTN		1	
	50	GE33478-002A	SOURCE BTN		1	
	51	GE33480-001A	POWER BTN		1	
	52	GE33481-002A	DISP BTN		1	
	53	FSYH4036-069	SHEET		1	
	54	GE33479-001A	OPEN BTN		1	
	55	GE33474-001A	UP BTN		1	
	56	GE33475-001A	DOWN BTN		1	
	57	GE33490-001A	GUIDE LENS		1	
	58	GE40463-001A	JVC BADGE		1	
	59	GE40202-016A	COMP.SPRING		1	
	60	GE10256-001A	REAR COVER		1	
	61	VKZ4777-011	SCREW		1	
	62	VKZ4777-010	MINI SCREW		4	
	63	GE40431-003A	REMOTE SHEET		1	
	64	GE40218-092A	SHEET		1	
	65	GE33485-001A	LENS CASE		1	
	66	GE40218-0B9A	SHEET		1	
	67	GE33482-001A	LCD LENS		1	
	68	GE40452-002A	LIGHTING SHEET		1	
	69	GE33486-001A	LCD CASE		1	
	70	QLD0585-001	LCD MODULE		1	
	71	GE34395-002A	NAME PLATE		1	A
	71	GE34401-003A	NAME PLATE		1	B,C,D
	71	GE34398-001A	NAME PLATE		1	E,F,G
	72	GE40442-001A	FCC RULE LABEL		1	A
△	73	GE33884-017A	UT LABEL		1	G
	74	QMFZ064-100-J1	FUSE	10A	1	
	75	GE40354-001A	IC BRACKET		1	
	76	GE34239-001A	REG IC BRACKET		1	
	77	GE40416-001A	USB HOLDER		1	
	78	WJT0263-001A-E	E-CARD WIRE		1	

CD mechanism assembly



The parts without symbol number are not service.

MODEL	MARK	MODEL	MARK	MODEL	MARK	MODEL	MARK
KD-A925BTJ	A	KD-R921BTE	B	KD-R921BTEU	C	KD-R921BTEY	D
KD-R926BTU	E	KD-R926BTUH	F	KD-R926BTUT	G		

Safe	Symbol No.	Parts No.	Parts Name	Description	QTY	Local
CD mechanism (FLM-HC2-1D) <MBMM>						
	1	LV11685-003A	TOP FRAME		1	A,B,C,D,E,F,G
	2	LV38953-001A	TRIGGER PLATE		1	A,B,C,D,E,F,G
	3	LV38952-001A	FL SLIDER(B)		1	A,B,C,D,E,F,G
	4	LV22826-002A	LOAD CAM		1	A,B,C,D,E,F,G
	5	LV38951-001A	TRIGGER RACK		1	A,B,C,D,E,F,G
	6	LV45415-001A	TRIGGER SPRING		1	A,B,C,D,E,F,G
	7	LV22827-001A	FL SLIDER(L)		1	A,B,C,D,E,F,G
	8	LV45416-001A	LOAD CAM SPRING		1	A,B,C,D,E,F,G
	9	LV45417-001A	FL SLIDERSPRING		1	A,B,C,D,E,F,G
	10	LV11689-001A	DISC GUIDE		1	A,B,C,D,E,F,G
	11	LV38956-001A	SW SLIDER(L)		1	A,B,C,D,E,F,G
	12	LV38957-001A	SW SLIDER(R)		1	A,B,C,D,E,F,G
	13	LV39009-001A	JOINT LEVER		1	A,B,C,D,E,F,G
	14	LV38958-001A	JOINT PLATE		1	A,B,C,D,E,F,G
	15	LV45420-002A	SWSLIDER SPRING		1	A,B,C,D,E,F,G
	16	CM-FLMHC1D	SPINDLE MOTOR ASSY		1	A,B,C,D,E,F,G
	17	LV22828-001A	FEED BRACKET		1	A,B,C,D,E,F,G
	18	QAR0144-003	MOTOR	2.0V DC	1	A,B,C,D,E,F,G
	19	LV36814-001A	F WORM GEAR		1	A,B,C,D,E,F,G
	20	QYSPSP2025MA	SCREW	M2 x 2.5mm	2	A,B,C,D,E,F,G
	21	LV36815-002A	F WHEEL GEAR		1	A,B,C,D,E,F,G
	22	VKZ4539-054	MINI SCREW		2	A,B,C,D,E,F,G
	23	LV36904-001A	DAMPER		2	A,B,C,D,E,F,G
	24	LV37061-001A	DAMPER		1	A,B,C,D,E,F,G
	25	LV45422-001A	SUS SPRING(F)		1	A,B,C,D,E,F,G
	26	LV45423-001A	SUS SPRING(B)		2	A,B,C,D,E,F,G
△	27	QAL0993-001	PICK UP		1	A,B,C,D,E,F,G
	28	LV38960-001A	FEED RACK		1	A,B,C,D,E,F,G
	29	QYSPSGT1745ZA	TAP SCREW	M1.7 x 4.5mm	1	A,B,C,D,E,F,G
	30	LV36813-201A	SUB GUIDE CAP		1	A,B,C,D,E,F,G
	31	LV44555-001A	MAIN SHAFT		1	A,B,C,D,E,F,G
	32	LV38950-002A	HC CL.BASE ASSY		1	A,B,C,D,E,F,G
	33	LV45421-001A	HC CL.SPRING		1	A,B,C,D,E,F,G
	34	LV11686-001A	BOTTOM FRAME		1	A,B,C,D,E,F,G
	35	LV38954-002A	R.ARM GUIDE		1	A,B,C,D,E,F,G
	36	VKZ4539-054	MINI SCREW		1	A,B,C,D,E,F,G
	37	LV38959-001A	SW ACTUATOR		1	A,B,C,D,E,F,G
	38	LV45505-001A	SW ACT SPRING		1	A,B,C,D,E,F,G
	39	LV38962-001A	WIRE GUIDE		1	A,B,C,D,E,F,G
	40	LV11688-001A	LOADING BASE		1	A,B,C,D,E,F,G
	41	QAR0144-003	MOTOR	2.0V DC	1	A,B,C,D,E,F,G
	42	LV38963-001A	D.WORM GEAR		1	A,B,C,D,E,F,G
	43	QYSPSP2025MA	SCREW	M2 x 2.5mm	2	A,B,C,D,E,F,G
	44	LV38964-001A	D.WHEEL GEAR		1	A,B,C,D,E,F,G
	45	LV38965-002A	ACT GEAR(1)		1	A,B,C,D,E,F,G
	46	LV38966-001A	ACT GEAR(2)		1	A,B,C,D,E,F,G
	47	LV38967-001A	ACT GEAR(3)		1	A,B,C,D,E,F,G
	48	LV38968-001A	ROLLER ACT GEAR		1	A,B,C,D,E,F,G
	49	LV38969-001A	DRIVE GEAR		1	A,B,C,D,E,F,G
	50	VKZ4539-054	MINI SCREW		2	A,B,C,D,E,F,G
	51	LV11690-001A	ROLLER ARM		1	A,B,C,D,E,F,G
	52	LV45413-004A	HC ROLLER SHAFT		1	A,B,C,D,E,F,G
	53	LV45412-001A	RA COLLAR(R)		1	A,B,C,D,E,F,G
	54	LV38970-001A	HC ROLLER GEAR		1	A,B,C,D,E,F,G
	55	LV45424-001A	HC ROLLER		2	A,B,C,D,E,F,G
	56	LV45411-002A	RA COLLAR(L)		1	A,B,C,D,E,F,G
	57	LV45270-001A	WASHER 2		1	A,B,C,D,E,F,G
	58	LV45449-001A	WASHER		2	A,B,C,D,E,F,G
	59	LV45418-001A	R.ARM SPRING		1	A,B,C,D,E,F,G
	60	VKZ4539-054	MINI SCREW		3	A,B,C,D,E,F,G
	61	VKZ4539-054	MINI SCREW		2	A,B,C,D,E,F,G
	62	VKZ4539-054	MINI SCREW		1	A,B,C,D,E,F,G
	63	QAL0817-003	FPC		1	A,B,C,D,E,F,G
Electrical parts list Main board <01>						
△	IC1	TEF6614TV1S4-X	IC		1	
	IC90	NJM4565E-X	IC		1	
	IC161	TDA7716N	IC		1	
	IC201	AK7600VF-X	IC		1	
	IC271	NJM2160BV-X	IC		1	
△	IC301	TDA7851A	IC		1	
	IC361	NJM2792V-X	IC		1	
△	IC501	LA6565-X	IC		1	
	IC541	MN6627553PA	IC		1	
	IC581	NJM8801E-X	IC		1	
△	IC701	JES211B	IC(MCU)		1	A,E,F,G
△	IC701	JES212B	IC(MCU)		1	B,C,D
	IC771	R1EX24016ASAA-X	IC		1	B,C,D
	IC801	74AHCT126PW-X	IC		1	A
△	IC901	LV5680P	IC		1	
	IC902	XC6213B332NG-X	IC		1	
	IC921	XC6223D331PG-X	IC		1	
	IC931	BA9743AFV-X	IC		1	
	IC932	RT9715EGB-X	IC		1	
	IC942	RT9715EGB-X	IC		1	
	Q261	IMX9-W	PAIR TRANSISTOR		1	
	Q322	IMX9-W	PAIR TRANSISTOR		1	
	Q332	IMX9-W	PAIR TRANSISTOR		1	
	Q501	2SB1424/R/-W	TRANSISTOR		1	
	Q540	2SA2188/F/-X	TRANSISTOR		1	

MODEL	MARK	MODEL	MARK	MODEL	MARK	MODEL	MARK
KD-A925BTJ	A	KD-R921BTE	B	KD-R921BTEU	C	KD-R921BTEY	D
KD-R926BTU	E	KD-R926BTUH	F	KD-R926BTUT	G		

Safe	Symbol No.	Parts No.	Parts Name	Description	QTY	Local
	Q701	2SA812A/5-6/-X	TRANSISTOR		1	
	Q701	or ISA1530AC1/QR/X	TRANSISTOR		1	
	Q702	2SC1623A/5-6/-X	TRANSISTOR		1	
	Q702	or 2SC3928A/QR/-X	TRANSISTOR		1	
	Q782	RT1P141C-X	DIGI TRANSISTOR		1	
	Q783	RT1N241C-X	DIGI TRANSISTOR		1	
	Q784	RT1P241C-X	TRANSISTOR		1	
	Q881	RT1N141C-X	DIGI TRANSISTOR		1	
	Q931	RSQ030P03-W	MOS FET		1	
	Q932	2SC1623A/5-6/-X	TRANSISTOR		1	
	Q932	or 2SC3928A/QR/-X	TRANSISTOR		1	
	Q933	2SA812A/5-6/-X	TRANSISTOR		1	
	Q933	or ISA1530AC1/QR/X	TRANSISTOR		1	
	Q941	RSQ030P03-W	MOS FET		1	
	Q942	2SC1623A/5-6/-X	TRANSISTOR		1	
	Q942	or 2SC3928A/QR/-X	TRANSISTOR		1	
	Q943	2SA812A/5-6/-X	TRANSISTOR		1	
	Q943	or ISA1530AC1/QR/X	TRANSISTOR		1	
	Q970	2SC1623A/5-6/-X	TRANSISTOR		1	
	Q970	or 2SC3928A/QR/-X	TRANSISTOR		1	
	Q971	2SC1623A/5-6/-X	TRANSISTOR		1	
	Q971	or 2SC3928A/QR/-X	TRANSISTOR		1	
	D261	BAW56-TP-X	SI DIODE		1	
	D261	or MC2836-X	DIODE		1	
	D321	BAW56-TP-X	SI DIODE		1	
	D321	or MC2836-X	DIODE		1	
	D331	BAW56-TP-X	SI DIODE		1	
	D331	or MC2836-X	DIODE		1	
	D477	NAF0029-001X	DIODE	V	1	
	D478	NAF0029-001X	DIODE	V	1	
	D501	GS1J-LTP-X	DIODE		1	
	D502	GS1J-LTP-X	DIODE		1	
	D708	DZ2J062/M/-X	Z DIODE		1	
	D709	DZ2J062/M/-X	Z DIODE		1	
	D711	DZ2J062/M/-X	Z DIODE		1	
	D712	DZ2J062/M/-X	Z DIODE		1	
	D713	DZ2J062/M/-X	Z DIODE		1	
	D714	DZ2J062/M/-X	Z DIODE		1	
	D716	DZ2J056/M/-X	Z DIODE		1	
	D721	MC2838-X	DIODE		1	
	D722	BAW56-TP-X	SI DIODE		1	
	D722	or MC2836-X	DIODE		1	
	D782	BAW56-TP-X	SI DIODE		1	
	D782	or MC2836-X	DIODE		1	
	D783	BAW56-TP-X	SI DIODE		1	
	D783	or MC2836-X	DIODE		1	
	D784	RKS801KF-X	SI DIODE		1	
	D784	or DA2J101-X	SI DIODE		1	
	D785	RKS801KF-X	SI DIODE		1	
	D785	or DA2J101-X	SI DIODE		1	
	D851	MBRX130-TP-X	SB DIODE		1	E,F,G
	D852	MBRX130-TP-X	SB DIODE		1	E,F,G
△	D901	1N5401-BPC04	SI DIODE		1	
	D931	RB055L-40-X	SB DIODE		1	
	D941	RB055L-40-X	SB DIODE		1	
	D970	DZ2J068/M/-X	Z DIODE		1	
	D971	DZ2J068/M/-X	Z DIODE		1	
	D981	MBRX130-TP-X	SB DIODE		1	
	D982	MBRX130-TP-X	SB DIODE		1	
	C1	NCBA1HK-102W	C CAPACITOR	1000pF 50V K	1	
	C2	NDC31HJ-7R0X	C CAPACITOR	7pF 50V J	1	
	C3	NCBA1HK-102W	C CAPACITOR	1000pF 50V K	1	
	C4	NCB31CK-224X	C CAPACITOR	0.22uF 16V K	1	
	C5	NDCA1HJ-150W	C CAPACITOR	15pF 50V J	1	
	C6	NDCA1HJ-270W	C CAPACITOR	27pF 50V J	1	
	C7	NDCA1HJ-471W	C CAPACITOR	470pF 50V J	1	
	C8	NDC31HJ-2R0X	C CAPACITOR	2pF 50V J	1	
	C9	NDC31HJ-5R6X	C CAPACITOR	5.6pF 50V J	1	
	C10	NCB31AK-105X	C CAPACITOR	1uF 10V K	1	
	C11	NCBA1CK-103W	C CAPACITOR	0.01uF 16V K	1	
	C12	NCBA1CK-103W	C CAPACITOR	0.01uF 16V K	1	
	C13	NCB31AK-105X	C CAPACITOR	1uF 10V K	1	
	C14	NCB31CK-224X	C CAPACITOR	0.22uF 16V K	1	
	C15	NCBA1CK-104W	C CAPACITOR	0.1uF 16V K	1	
	C16	NCBA1CK-103W	C CAPACITOR	0.01uF 16V K	1	
	C17	NCBA1CK-104W	C CAPACITOR	0.1uF 16V K	1	
	C18	NCBA1CK-103W	C CAPACITOR	0.01uF 16V K	1	
	C19	NCBA1CK-104W	C CAPACITOR	0.1uF 16V K	1	
	C22	NDCA1HJ-120W	C CAPACITOR	12pF 50V J	1	
	C23	NCBA1CK-104W	C CAPACITOR	0.1uF 16V K	1	
	C24	NCBA1CK-103W	C CAPACITOR	0.01uF 16V K	1	
	C25	NCBA1CK-103W	C CAPACITOR	0.01uF 16V K	1	
	C26	QEKJ1CM-107Z	E CAPACITOR	100uF 16V M	1	
	C27	QEKJ1CM-106Z	E CAPACITOR	10uF 16V M	1	
	C30	NDC31HJ-560X	C CAPACITOR	56pF 50V J	1	
	C32	NDC31HJ-221X	C CAPACITOR	220pF 50V J	1	
	C92	QEKJ1HM-475Z	E CAPACITOR	4.7uF 50V M	1	
	C93	QEKJ1HM-475Z	E CAPACITOR	4.7uF 50V M	1	
	C94	NDCA1HJ-331W	C CAPACITOR	330pF 50V J	1	
	C95	NCB31CK-105X	C CAPACITOR	1uF 16V K	1	
	C96	QEKJ1CM-226Z	E CAPACITOR	22uF 16V M	1	
	C97	NDCA1HJ-331W	C CAPACITOR	330pF 50V J	1	

MODEL	MARK	MODEL	MARK	MODEL	MARK	MODEL	MARK
KD-A925BTJ	A	KD-R921BTE	B	KD-R921BTEU	C	KD-R921BTEY	D
KD-R926BTU	E	KD-R926BTUH	F	KD-R926BTUT	G		

Safe	Symbol No.	Parts No.	Parts Name	Description	QTY	Local
	C98	NCB31HK-333X	C CAPACITOR	0.033uF 50V K	1	
	C99	NCB31HK-273X	C CAPACITOR	0.027uF 50V K	1	
	C100	NCB31HK-273X	C CAPACITOR	0.027uF 50V K	1	
	C101	NDCA1HJ-220W	C CAPACITOR	22pF 50V J	1	
	C102	NCB31HK-333X	C CAPACITOR	0.033uF 50V K	1	
	C103	QEKJ1CM-226Z	E CAPACITOR	22uF 16V M	1	
	C104	NCBA1CK-104W	C CAPACITOR	0.1uF 16V K	1	
	C105	NDC31HJ-8R0X	C CAPACITOR	8pF 50V J	1	
	C161	QEKJ1HM-105Z-S	E CAPACITOR	1uF 50V M	1	
	C162	QTE1V67-475Z	E CAPACITOR	4.7uF 35V	1	
	C163	NCB31AK-105X	C CAPACITOR	1uF 10V K	1	A
	C168	NCBA1HK-102W	C CAPACITOR	1000pF 50V K	1	
	C169	QEKJ1CM-107Z-S	E CAPACITOR	100uF 16V M	1	
	C170	QEKJ1HM-225Z-S	E CAPACITOR	2.2uF 50V M	1	
	C171	QEKJ1HM-105Z-S	E CAPACITOR	1uF 50V M	1	
	C172	QTE1V67-475Z	E CAPACITOR	4.7uF 35V	1	
	C173	NCB31AK-105X	C CAPACITOR	1uF 10V K	1	A
	C177	NCBA1HK-332W	C CAPACITOR	3300pF 50V K	1	
	C178	QEKJ1CM-476Z-S	E CAPACITOR	47uF 16V M	1	
	C179	NCBA1HK-102W	C CAPACITOR	1000pF 50V K	1	
	C180	NCBA1HK-332W	C CAPACITOR	3300pF 50V K	1	
	C181	NDCA1HJ-471W	C CAPACITOR	470pF 50V J	1	
	C182	NDCA1HJ-471W	C CAPACITOR	470pF 50V J	1	
	C189	QEKJ1HM-335Z-S	E CAPACITOR	3.3uF 50V M	1	
	C191	NDCA1HJ-471W	C CAPACITOR	470pF 50V J	1	
	C192	NDCA1HJ-471W	C CAPACITOR	470pF 50V J	1	
	C199	QEKJ1HM-335Z-S	E CAPACITOR	3.3uF 50V M	1	
	C204	QERF1EM-475Z-E	E CAPACITOR	4.7uF 25V M	1	
	C205	QERF1EM-475Z-E	E CAPACITOR	4.7uF 25V M	1	
	C206	QERF1EM-475Z-E	E CAPACITOR	4.7uF 25V M	1	
	C207	QERF1EM-475Z-E	E CAPACITOR	4.7uF 25V M	1	
	C208	NCBA1HK-102W	C CAPACITOR	1000pF 50V K	1	
	C209	QEKJ0JM-107Z-S	E CAPACITOR	100uF 6.3V M	1	
	C210	QEKJ1HM-225Z-S	E CAPACITOR	2.2uF 50V M	1	
	C214	QERF1EM-475Z-E	E CAPACITOR	4.7uF 25V M	1	
	C215	QERF1EM-475Z-E	E CAPACITOR	4.7uF 25V M	1	
	C216	QERF1EM-475Z-E	E CAPACITOR	4.7uF 25V M	1	
	C217	QERF1EM-475Z-E	E CAPACITOR	4.7uF 25V M	1	
	C218	NCBA1HK-102W	C CAPACITOR	1000pF 50V K	1	
	C220	NCBA1HK-102W	C CAPACITOR	1000pF 50V K	1	
	C221	QEKJ1CM-106Z-S	E CAPACITOR	10uF 16V M	1	
	C222	NCBA1HK-102W	C CAPACITOR	1000pF 50V K	1	
	C224	QTE1C57-106Z	E CAPACITOR	10uF 16V	1	
	C225	NCBA1CK-104W	C CAPACITOR	0.1uF 16V K	1	
	C226	NDCA1HJ-120W	C CAPACITOR	12pF 50V J	1	
	C227	NDCA1HJ-120W	C CAPACITOR	12pF 50V J	1	
	C228	NDC31HJ-331X	C CAPACITOR	330pF 50V J	1	
	C261	QEKJ1HM-475Z	E CAPACITOR	4.7uF 50V M	1	
	C262	QEKJ1EM-106Z	E CAPACITOR	10uF 25V M	1	
	C263	QEKJ1CM-107Z	E CAPACITOR	100uF 16V M	1	
	C264	NCBA1CK-104W	C CAPACITOR	0.1uF 16V K	1	
	C265	NCBA1HK-152W	C CAPACITOR	1500pF 50V K	1	
	C266	QEKJ1EM-106Z	E CAPACITOR	10uF 25V M	1	
	C271	QEKJ1HM-475Z	E CAPACITOR	4.7uF 50V M	1	
	C273	QEKJ1CM-107Z	E CAPACITOR	100uF 16V M	1	
	C274	NCBA1CK-104W	C CAPACITOR	0.1uF 16V K	1	
	C275	NCBA1HK-152W	C CAPACITOR	1500pF 50V K	1	
	C276	QEKJ1EM-106Z	E CAPACITOR	10uF 25V M	1	
	C301	QTE1C66-474Z	E CAPACITOR	0.47uF 16V	1	
	C302	QTE1C66-474Z	E CAPACITOR	0.47uF 16V	1	
	C303	NDC31HJ-560X	C CAPACITOR	56pF 50V J	1	
	C304	NDC31HJ-560X	C CAPACITOR	56pF 50V J	1	
	C305	NDC31HJ-820X	C CAPACITOR	82pF 50V J	1	
	C306	QERF1CM-106Z-E	E CAPACITOR	10uF 16V M	1	
	C307	NCB31HK-103X	C CAPACITOR	0.01uF 50V K	1	
	C308	NCB31HK-103X	C CAPACITOR	0.01uF 50V K	1	
	C310	NDC31HJ-820X	C CAPACITOR	82pF 50V J	1	
	C311	QTE1C66-474Z	E CAPACITOR	0.47uF 16V	1	
	C312	QTE1C66-474Z	E CAPACITOR	0.47uF 16V	1	
	C313	NDC31HJ-560X	C CAPACITOR	56pF 50V J	1	
	C314	NDC31HJ-560X	C CAPACITOR	56pF 50V J	1	
	C315	NCB31AK-105X	C CAPACITOR	1uF 10V K	1	
	C316	QEKJ1HM-475Z	E CAPACITOR	4.7uF 50V M	1	
	C317	QTE1C57-476Z	E CAPACITOR	47uF 16V	1	
	C318	NCB21AK-105X-A	C CAPACITOR	1uF 10V K	1	
	C319	NCB31HK-223X	C CAPACITOR	0.022uF 50V K	1	
	C320	NCB31HK-223X	C CAPACITOR	0.022uF 50V K	1	
	C335	NCB21CK-474X-A	C CAPACITOR	0.47uF 16V K	1	
	C336	NCB21CK-474X-A	C CAPACITOR	0.47uF 16V K	1	
	C337	NCB21CK-474X-A	C CAPACITOR	0.47uF 16V K	1	
	C338	NCB21CK-474X-A	C CAPACITOR	0.47uF 16V K	1	
	C361	QEKJ1HM-475Z	E CAPACITOR	4.7uF 50V M	1	
	C362	QEKJ1HM-475Z	E CAPACITOR	4.7uF 50V M	1	
	C365	QEKJ1EM-106Z	E CAPACITOR	10uF 25V M	1	
	C366	QEKJ1EM-106Z	E CAPACITOR	10uF 25V M	1	
	C367	QEKJ1AM-227Z	E CAPACITOR	220uF 10V M	1	
	C368	QEKJ1AM-227Z	E CAPACITOR	220uF 10V M	1	
	C369	QEKJ1CM-226Z	E CAPACITOR	22uF 16V M	1	
	C370	NCBA1HK-152W	C CAPACITOR	1500pF 50V K	1	
	C371	NCBA1CK-104W	C CAPACITOR	0.1uF 16V K	1	

MODEL	MARK	MODEL	MARK	MODEL	MARK	MODEL	MARK
KD-A925BTJ	A	KD-R921BTE	B	KD-R921BTEU	C	KD-R921BTEY	D
KD-R926BTU	E	KD-R926BTUH	F	KD-R926BTUT	G		

Safe	Symbol No.	Parts No.	Parts Name	Description	QTY	Local
	C372	NCBA1HK-152W	C CAPACITOR	1500pF 50V K	1	
	C381	QEKJ1HM-475Z	E CAPACITOR	4.7uF 50V M	1	
	C382	QEKJ1HM-475Z	E CAPACITOR	4.7uF 50V M	1	
	C385	QEKJ1EM-106Z	E CAPACITOR	10uF 25V M	1	
	C386	QEKJ1EM-106Z	E CAPACITOR	10uF 25V M	1	
	C387	QEKJ1CM-107Z	E CAPACITOR	100uF 16V M	1	
	C388	NCBA1CK-104W	C CAPACITOR	0.1uF 16V K	1	
	C477	NDCA1HJ-220W	C CAPACITOR	22pF 50V J	1	
	C478	NDCA1HJ-220W	C CAPACITOR	22pF 50V J	1	
	C493	NCB10JK-106X-A	C CAPACITOR	10uF 6.3V K	1	
	C501	NCBA1HK-122W	C CAPACITOR	1200pF 50V K	1	
	C503	NCB31HK-272X	C CAPACITOR	2700pF 50V K	1	
	C505	NCBA1HK-222W	C CAPACITOR	2200pF 50V K	1	
	C507	NCB31HK-682X	C CAPACITOR	6800pF 50V K	1	
	C509	NDCA1HJ-680W	C CAPACITOR	68pF 50V J	1	
	C511	QEKJ1CM-107Z	E CAPACITOR	100uF 16V M	1	
	C512	NCBA1CK-104W	C CAPACITOR	0.1uF 16V K	1	
	C513	QEKJ1CM-476Z	E CAPACITOR	47uF 16V M	1	
	C515	QEKJ0JM-107Z	E CAPACITOR	100uF 6.3V M	1	
	C516	NCBA1CK-104W	C CAPACITOR	0.1uF 16V K	1	
	C517	NCBA1HK-102W	C CAPACITOR	1000pF 50V K	1	
	C519	NDC31HJ-471X	C CAPACITOR	470pF 50V J	1	
	C520	NDC31HJ-471X	C CAPACITOR	470pF 50V J	1	
	C541	QEKJ1EM-106Z	E CAPACITOR	10uF 25V M	1	
	C542	NCBA1CK-104W	C CAPACITOR	0.1uF 16V K	1	
	C543	QEKJ1EM-106Z	E CAPACITOR	10uF 25V M	1	
	C544	NCBA1CK-104W	C CAPACITOR	0.1uF 16V K	1	
	C545	QEKJ0JM-476Z	E CAPACITOR	47uF 6.3V M	1	
	C546	NCBA1CK-104W	C CAPACITOR	0.1uF 16V K	1	
	C547	NCB31CK-154X	C CAPACITOR	0.15uF 16V K	1	
	C549	NCB31HK-272X	C CAPACITOR	2700pF 50V K	1	
	C550	QEKJ0JM-476Z	E CAPACITOR	47uF 6.3V M	1	
	C551	NCBA1CK-104W	C CAPACITOR	0.1uF 16V K	1	
	C552	NCBA1CK-223W	C CAPACITOR	0.022uF 16V K	1	
	C553	NCBA1HK-332W	C CAPACITOR	3300pF 50V K	1	
	C554	NCB31AK-334X	C CAPACITOR	0.33uF 10V K	1	
	C555	NCB21CK-475X	C CAPACITOR	4.7uF 16V K	1	
	C556	NCBA1CK-104W	C CAPACITOR	0.1uF 16V K	1	
	C557	NDCA1HJ-681W	C CAPACITOR	680pF 50V J	1	
	C558	QEKJ0JM-476Z	E CAPACITOR	47uF 6.3V M	1	
	C559	QEKJ0JM-476Z	E CAPACITOR	47uF 6.3V M	1	
	C560	NCB31CK-104X	C CAPACITOR	0.1uF 16V	1	
	C561	NCB31CK-104X	C CAPACITOR	0.1uF 16V	1	
	C562	NCB31CK-104X	C CAPACITOR	0.1uF 16V	1	
	C563	NCBA1CK-153W	C CAPACITOR	0.015uF 16V K	1	
	C564	NCBA1CK-104W	C CAPACITOR	0.1uF 16V K	1	
	C565	NCBA1HK-102W	C CAPACITOR	1000pF 50V K	1	
	C566	NCBA1AK-823W	C CAPACITOR	0.082uF 10V K	1	
	C568	NCBA1HK-102W	C CAPACITOR	1000pF 50V K	1	
	C569	NCB31AK-334X	C CAPACITOR	0.33uF 10V K	1	
	C570	NCBA1CK-104W	C CAPACITOR	0.1uF 16V K	1	
	C571	QEKJ1EM-106Z	E CAPACITOR	10uF 25V M	1	
	C573	NCBA1CK-104W	C CAPACITOR	0.1uF 16V K	1	
	C574	NCBA1CK-104W	C CAPACITOR	0.1uF 16V K	1	
	C575	NCBA1CK-104W	C CAPACITOR	0.1uF 16V K	1	
	C576	QERF1EM-106Z	E CAPACITOR	10uF 25V M	1	
	C577	NCBA1CK-104W	C CAPACITOR	0.1uF 16V K	1	
	C578	NCBA1CK-104W	C CAPACITOR	0.1uF 16V K	1	
	C579	QEKJ1EM-106Z	E CAPACITOR	10uF 25V M	1	
	C583	NDCA1HJ-821W	C CAPACITOR	820pF 50V J	1	
	C584	NDCA1HJ-821W	C CAPACITOR	820pF 50V J	1	
	C585	QERF1EM-475Z-E	E CAPACITOR	4.7uF 25V M	1	
	C586	QERF1EM-475Z-E	E CAPACITOR	4.7uF 25V M	1	
	C587	NDCA1HJ-151W	C CAPACITOR	150pF 50V J	1	
	C588	NDCA1HJ-151W	C CAPACITOR	150pF 50V J	1	
	C590	QEKJ0JM-476Z-S	E CAPACITOR	47uF 6.3V M	1	
	C591	QEKJ1AM-107Z-S	E CAPACITOR	100uF 10V M	1	
	C592	NCBA1CK-104W	C CAPACITOR	0.1uF 16V K	1	
	C701	NDCA1HJ-220W	C CAPACITOR	22pF 50V J	1	
	C702	NDCA1HJ-270W	C CAPACITOR	27pF 50V J	1	
	C705	NDCA1HJ-220W	C CAPACITOR	22pF 50V J	1	
	C706	NDCA1HJ-220W	C CAPACITOR	22pF 50V J	1	
	C709	NCB31HK-104X	C CAPACITOR	0.1uF 50V K	1	
	C710	NCB31HK-104X	C CAPACITOR	0.1uF 50V K	1	
	C711	NDCA1HJ-681W	C CAPACITOR	680pF 50V J	1	
	C712	NDCA1HJ-681W	C CAPACITOR	680pF 50V J	1	
	C713	NCB31AK-474X	C CAPACITOR	0.47uF 10V K	1	
	C714	NDC31HJ-101X	C CAPACITOR	100pF 50V J	1	
	C715	NCBA1CK-104W	C CAPACITOR	0.1uF 16V K	1	
	C716	NCB31AK-105X	C CAPACITOR	1uF 10V K	1	
	C717	NCBA1CK-473W	C CAPACITOR	0.047uF 16V K	1	
	C718	NCBA1CK-104W	C CAPACITOR	0.1uF 16V K	1	
	C721	NCBA1CK-473W	C CAPACITOR	0.047uF 16V K	1	
	C722	NCBA1CK-103W	C CAPACITOR	0.01uF 16V K	1	
	C723	QEKJ0JM-337Z	E CAPACITOR	330uF 6.3V M	1	
	C724	NDC31HJ-101X	C CAPACITOR	100pF 50V J	1	
	C725	NCB10JK-106X-A	C CAPACITOR	10uF 6.3V K	1	
	C727	NCBA1CK-473W	C CAPACITOR	0.047uF 16V K	1	
	C730	NDC31HJ-820X	C CAPACITOR	82pF 50V J	1	
	C731	NCBA1CK-473W	C CAPACITOR	0.047uF 16V K	1	
	C732	NCBA1CK-473W	C CAPACITOR	0.047uF 16V K	1	
	C733	QEKJ1EM-106Z	E CAPACITOR	10uF 25V M	1	

MODEL	MARK	MODEL	MARK	MODEL	MARK	MODEL	MARK
KD-A925BTJ	A	KD-R921BTE	B	KD-R921BTEU	C	KD-R921BTEY	D
KD-R926BTU	E	KD-R926BTUH	F	KD-R926BTUT	G		

Safe	Symbol No.	Parts No.	Parts Name	Description	QTY	Local
	C736	NCB31AK-105X	C CAPACITOR	1uF 10V K	1	
	C737	NCB31AK-105X	C CAPACITOR	1uF 10V K	1	
	C738	NCB31AK-105X	C CAPACITOR	1uF 10V K	1	
	C739	NDCA1HJ-470W	C CAPACITOR	47pF 50V J	1	
	C741	NDCA1HJ-470W	C CAPACITOR	47pF 50V J	1	
	C742	NDC31HJ-471X	C CAPACITOR	470pF 50V J	1	
	C771	NCBA1CK-473W	C CAPACITOR	0.047uF 16V K	1	B,C,D
	C784	NCB31CK-105X	C CAPACITOR	1uF 16V K	1	
	C785	NCB31CK-105X	C CAPACITOR	1uF 16V K	1	
	C801	NCBA1CK-473W	C CAPACITOR	0.047uF 16V K	1	A
	C881	QEKJ1CM-226Z	E CAPACITOR	22uF 16V M	1	
	C901	QEZ0937-278	E CAPACITOR	2700uF	1	
	C902	QEKJ1HM-225Z	E CAPACITOR	2.2uF 50V M	1	
	C903	QEKJ1CM-476Z	E CAPACITOR	47uF 16V M	1	
	C904	QEKJ1CM-107Z	E CAPACITOR	100uF 16V M	1	
	C905	QEKJ1CM-476Z	E CAPACITOR	47uF 16V M	1	
	C906	NCB31HK-104X	C CAPACITOR	0.1uF 50V K	1	
	C907	QEKJ1CM-107Z	E CAPACITOR	100uF 16V M	1	
	C908	QERF1AM-227Z	E CAPACITOR	220uF 10V M	1	
	C909	QERF0JM-337Z	E CAPACITOR	330uF 6.3V M	1	
	C910	QEKJ1EM-106Z	E CAPACITOR	10uF 25V M	1	
	C911	NCB31HK-104X	C CAPACITOR	0.1uF 50V K	1	
	C915	NCB31HK-104X	C CAPACITOR	0.1uF 50V K	1	
	C917	QEKJ0JM-227Z	E CAPACITOR	220uF 6.3V M	1	
	C918	NCBA1CK-103W	C CAPACITOR	0.01uF 16V K	1	
	C921	NCB31AK-105X	C CAPACITOR	1uF 10V K	1	
	C922	QEKJ0JM-107Z	E CAPACITOR	100uF 6.3V M	1	
	C925	NCJ30JM-106X-A	C CAPACITOR	10uF 6.3V M	1	
	C930	NCBA1CK-104W	C CAPACITOR	0.1uF 16V K	1	
	C931	NCB10JK-106X-A	C CAPACITOR	10uF 6.3V K	1	
	C932	NCB10JK-106X-A	C CAPACITOR	10uF 6.3V K	1	
	C933	NCBA1HK-332W	C CAPACITOR	3300pF 50V K	1	
	C935	NCBA1HK-332W	C CAPACITOR	3300pF 50V K	1	
	C936	NCB31CK-105X	C CAPACITOR	1uF 16V K	1	
	C937	NCBA1CK-104W	C CAPACITOR	0.1uF 16V K	1	
	C938	NCJ11EK-106X-R	C CAPACITOR	10uF 25V	1	
	C939	QEZ0850-157Z	E CAPACITOR	150uF	1	
	C941	NCB10JK-106X-A	C CAPACITOR	10uF 6.3V K	1	
	C942	NCB10JK-106X-A	C CAPACITOR	10uF 6.3V K	1	
	C943	NCBA1HK-332W	C CAPACITOR	3300pF 50V K	1	
	C945	NCBA1HK-332W	C CAPACITOR	3300pF 50V K	1	
	C946	NCB31CK-105X	C CAPACITOR	1uF 16V K	1	
	C947	NCB31HK-104X	C CAPACITOR	0.1uF 50V K	1	
	C948	NCJ11EK-106X-R	C CAPACITOR	10uF 25V	1	
	C949	QEZ0850-157Z	E CAPACITOR	150uF	1	
	C950	NCB31CK-105X	C CAPACITOR	1uF 16V K	1	
	C952	NCB10JK-106X-A	C CAPACITOR	10uF 6.3V K	1	
	C953	NDC31HJ-101X	C CAPACITOR	100pF 50V J	1	
	C955	NCB31CK-105X	C CAPACITOR	1uF 16V K	1	
	C956	NCB31CK-474X	C CAPACITOR	0.47uF 16V K	1	
	C957	NCB31CK-474X	C CAPACITOR	0.47uF 16V K	1	
	C982	NCB31HK-104X	C CAPACITOR	0.1uF 50V K	1	
	C990	NDC31HJ-470X	C CAPACITOR	47pF 50V J	1	
	C991	NDC31HJ-271X	C CAPACITOR	270pF 50V J	1	
	C992	NCB31HK-222X	C CAPACITOR	2200pF 50V K	1	
	C993	NCBA1HK-102W	C CAPACITOR	1000pF 50V K	1	
	R1	NRSA6AJ-684W	MG RESISTOR	680kΩ 1/16W J	1	
	R2	NRSA6AJ-684W	MG RESISTOR	680kΩ 1/16W J	1	
	R4	NRSA6AJ-472W	MG RESISTOR	4.7kΩ 1/16W J	1	
	R5	NRSA02J-470X	MG RESISTOR	47Ω 1/10W J	1	
	R6	NRSA6AJ-221W	MG RESISTOR	220Ω 1/16W J	1	
	R7	NRSA6AJ-221W	MG RESISTOR	220Ω 1/16W J	1	
	R8	NRSA02J-470X	MG RESISTOR	47Ω 1/10W J	1	
	R9	NRSA6AJ-0R0W	MG RESISTOR	0Ω 1/16W J	1	B,C,D,E,F,G
	R14	NRSA6AJ-332W	MG RESISTOR	3.3kΩ 1/16W J	1	
	R15	NRSA6AJ-332W	MG RESISTOR	3.3kΩ 1/16W J	1	
	R90	NRSA6AJ-103W	MG RESISTOR	10kΩ 1/16W J	1	
	R92	NRSA6AJ-822W	MG RESISTOR	8.2kΩ 1/16W J	1	
	R93	NRSA6AJ-122W	MG RESISTOR	1.2kΩ 1/16W J	1	
	R94	NRSA6AJ-122W	MG RESISTOR	1.2kΩ 1/16W J	1	
	R95	NRSA6AJ-124W	MG RESISTOR	120kΩ 1/16W J	1	
	R96	NRSA6AJ-333W	MG RESISTOR	33kΩ 1/16W J	1	
	R97	NRSA6AJ-822W	MG RESISTOR	8.2kΩ 1/16W J	1	
	R98	NRSA6AJ-103W	MG RESISTOR	10kΩ 1/16W J	1	
	R99	NRSA6AJ-124W	MG RESISTOR	120kΩ 1/16W J	1	
	R100	NRSA6AJ-103W	MG RESISTOR	10kΩ 1/16W J	1	
	R101	NRSA6AJ-822W	MG RESISTOR	8.2kΩ 1/16W J	1	
	R102	NRSA6AJ-0R0W	MG RESISTOR	0Ω 1/16W J	1	
	R103	NRSA6AJ-0R0W	MG RESISTOR	0Ω 1/16W J	1	
	R104	NRSA02J-0R0X	MG RESISTOR	0Ω 1/10W J	1	
	R161	NRSA6AJ-0R0W	MG RESISTOR	0Ω 1/16W J	1	
	R165	NRSA6AJ-101W	MG RESISTOR	100Ω 1/16W J	1	
	R171	NRSA6AJ-0R0W	MG RESISTOR	0Ω 1/16W J	1	
	R175	NRSA6AJ-101W	MG RESISTOR	100Ω 1/16W J	1	
	R176	NRSA6AJ-471W	MG RESISTOR	470Ω 1/16W J	1	
	R177	NRSA6AJ-471W	MG RESISTOR	470Ω 1/16W J	1	
	R181	NRSA6AJ-0R0W	MG RESISTOR	0Ω 1/16W J	1	
	R182	NRSA6AJ-0R0W	MG RESISTOR	0Ω 1/16W J	1	
	R187	NRSA6AJ-0R0W	MG RESISTOR	0Ω 1/16W J	1	
	R188	NRSA6AJ-0R0W	MG RESISTOR	0Ω 1/16W J	1	

MODEL	MARK	MODEL	MARK	MODEL	MARK	MODEL	MARK
KD-A925BTJ	A	KD-R921BTE	B	KD-R921BTEU	C	KD-R921BTEY	D
KD-R926BTU	E	KD-R926BTUH	F	KD-R926BTUT	G		

Safe	Symbol No.	Parts No.	Parts Name	Description	QTY	Local
	R191	NRSA6AJ-0R0W	MG RESISTOR	0Ω 1/16W J	1	
	R192	NRSA6AJ-0R0W	MG RESISTOR	0Ω 1/16W J	1	
	R197	NRSA6AJ-0R0W	MG RESISTOR	0Ω 1/16W J	1	
	R198	NRSA6AJ-0R0W	MG RESISTOR	0Ω 1/16W J	1	
	R201	NRSA6AJ-0R0W	MG RESISTOR	0Ω 1/16W J	1	
	R202	NRSA6AJ-0R0W	MG RESISTOR	0Ω 1/16W J	1	
	R203	NRSA6AJ-0R0W	MG RESISTOR	0Ω 1/16W J	1	
	R204	NRSA6AJ-101W	MG RESISTOR	100Ω 1/16W J	1	
	R205	NRSA63J-2R2X	MG RESISTOR	2.2Ω 1/16W J	1	
	R206	NRSA6AJ-152W	MG RESISTOR	1.5kΩ 1/16W J	1	
	R211	NRSA6AJ-0R0W	MG RESISTOR	0Ω 1/16W J	1	
	R212	NRSA6AJ-0R0W	MG RESISTOR	0Ω 1/16W J	1	
	R213	NRSA6AJ-0R0W	MG RESISTOR	0Ω 1/16W J	1	
	R214	NRSA6AJ-101W	MG RESISTOR	100Ω 1/16W J	1	
	R215	NRSA6AJ-472W	MG RESISTOR	4.7kΩ 1/16W J	1	
	R216	NRSA6AJ-472W	MG RESISTOR	4.7kΩ 1/16W J	1	
	R261	NRSA6AJ-223W	MG RESISTOR	22kΩ 1/16W J	1	
	R262	NRSA6AJ-333W	MG RESISTOR	33kΩ 1/16W J	1	
	R264	NRSA6AJ-223W	MG RESISTOR	22kΩ 1/16W J	1	
	R265	NRSA63J-331X	MG RESISTOR	330Ω 1/16W J	1	
	R266	NRSA6AJ-472W	MG RESISTOR	4.7kΩ 1/16W J	1	
	R267	NRSA63J-181X	MG RESISTOR	180Ω 1/16W J	1	
	R271	NRSA6AJ-223W	MG RESISTOR	22kΩ 1/16W J	1	
	R272	NRSA6AJ-333W	MG RESISTOR	33kΩ 1/16W J	1	
	R274	NRSA6AJ-223W	MG RESISTOR	22kΩ 1/16W J	1	
	R275	NRSA63J-331X	MG RESISTOR	330Ω 1/16W J	1	
	R276	NRSA6AJ-472W	MG RESISTOR	4.7kΩ 1/16W J	1	
	R277	NRSA63J-181X	MG RESISTOR	180Ω 1/16W J	1	
	R301	NRSA6AJ-102W	MG RESISTOR	1kΩ 1/16W J	1	
	R302	NRSA6AJ-102W	MG RESISTOR	1kΩ 1/16W J	1	
	R304	NRSA6AJ-472W	MG RESISTOR	4.7kΩ 1/16W J	1	
	R309	NRSA02J-100X	MG RESISTOR	10Ω 1/10W J	1	
	R310	NRSA6AJ-472W	MG RESISTOR	4.7kΩ 1/16W J	1	
	R311	NRSA6AJ-102W	MG RESISTOR	1kΩ 1/16W J	1	
	R312	NRSA6AJ-102W	MG RESISTOR	1kΩ 1/16W J	1	
	R315	NRSA6AJ-271W	MG RESISTOR	270Ω 1/16W J	1	
	R321	NRSA6AJ-472W	MG RESISTOR	4.7kΩ 1/16W J	1	
	R322	NRSA63J-331X	MG RESISTOR	330Ω 1/16W J	1	
	R323	NRSA63J-181X	MG RESISTOR	180Ω 1/16W J	1	
	R324	NRSA6AJ-223W	MG RESISTOR	22kΩ 1/16W J	1	
	R331	NRSA6AJ-472W	MG RESISTOR	4.7kΩ 1/16W J	1	
	R332	NRSA63J-331X	MG RESISTOR	330Ω 1/16W J	1	
	R333	NRSA63J-181X	MG RESISTOR	180Ω 1/16W J	1	
	R334	NRSA6AJ-223W	MG RESISTOR	22kΩ 1/16W J	1	
	R341	NRSA6AJ-472W	MG RESISTOR	4.7kΩ 1/16W J	1	
	R342	NRSA63J-331X	MG RESISTOR	330Ω 1/16W J	1	
	R343	NRSA63J-181X	MG RESISTOR	180Ω 1/16W J	1	
	R344	NRSA6AJ-223W	MG RESISTOR	22kΩ 1/16W J	1	
	R351	NRSA6AJ-472W	MG RESISTOR	4.7kΩ 1/16W J	1	
	R352	NRSA63J-331X	MG RESISTOR	330Ω 1/16W J	1	
	R353	NRSA63J-181X	MG RESISTOR	180Ω 1/16W J	1	
	R354	NRSA6AJ-223W	MG RESISTOR	22kΩ 1/16W J	1	
	R361	NRSA6AJ-333W	MG RESISTOR	33kΩ 1/16W J	1	
	R362	NRSA6AJ-223W	MG RESISTOR	22kΩ 1/16W J	1	
	R365	NRSA6AJ-333W	MG RESISTOR	33kΩ 1/16W J	1	
	R366	NRSA6AJ-223W	MG RESISTOR	22kΩ 1/16W J	1	
	R381	NRSA6AJ-333W	MG RESISTOR	33kΩ 1/16W J	1	
	R382	NRSA6AJ-223W	MG RESISTOR	22kΩ 1/16W J	1	
	R385	NRSA6AJ-333W	MG RESISTOR	33kΩ 1/16W J	1	
	R386	NRSA6AJ-223W	MG RESISTOR	22kΩ 1/16W J	1	
	R502	NRSA63J-133X	MG RESISTOR	13kΩ 1/16W J	1	
	R503	NRSA6AJ-683W	MG RESISTOR	68kΩ 1/16W J	1	
	R504	NRSA6AJ-822W	MG RESISTOR	8.2kΩ 1/16W J	1	
	R505	NRSA6AJ-822W	MG RESISTOR	8.2kΩ 1/16W J	1	
	R507	NRSA6AJ-822W	MG RESISTOR	8.2kΩ 1/16W J	1	
	R508	NRSA6AJ-183W	MG RESISTOR	18kΩ 1/16W J	1	
	R509	NRSA6AJ-822W	MG RESISTOR	8.2kΩ 1/16W J	1	
	R510	NRSA6AJ-822W	MG RESISTOR	8.2kΩ 1/16W J	1	
	R511	NRSA6AJ-562W	MG RESISTOR	5.6kΩ 1/16W J	1	
	R512	NRSA6AJ-153W	MG RESISTOR	15kΩ 1/16W J	1	
	R513	NRSA6AJ-153W	MG RESISTOR	15kΩ 1/16W J	1	
	R514	NRSA6AJ-822W	MG RESISTOR	8.2kΩ 1/16W J	1	
	R515	NRSA6AJ-562W	MG RESISTOR	5.6kΩ 1/16W J	1	
	R516	NRSA6AJ-103W	MG RESISTOR	10kΩ 1/16W J	1	
	R517	NRSA6AJ-682W	MG RESISTOR	6.8kΩ 1/16W J	1	
	R518	NRSA6AJ-822W	MG RESISTOR	8.2kΩ 1/16W J	1	
	R519	NRSA6AJ-473W	MG RESISTOR	47kΩ 1/16W J	1	
	R520	NRS124J-100X	MG RESISTOR	10Ω 1/2W J	1	
	R521	NRSA6AJ-822W	MG RESISTOR	8.2kΩ 1/16W J	1	
	R522	NRSA6AJ-512W	MG RESISTOR	5.1kΩ 1/16W J	1	
	R523	NRSA6AJ-333W	MG RESISTOR	33kΩ 1/16W J	1	
	R524	NRSA6AJ-683W	MG RESISTOR	68kΩ 1/16W J	1	
	R540	NRSA6AJ-821W	MG RESISTOR	820Ω 1/16W J	1	
	R541	NRSA6AJ-272W	MG RESISTOR	2.7kΩ 1/16W J	1	
	R542	NRSA6AJ-823W	MG RESISTOR	82kΩ 1/16W J	1	
	R544	NRSA6AJ-0R0W	MG RESISTOR	0Ω 1/16W J	1	
	R546	NRSA6AJ-220W	MG RESISTOR	22Ω 1/16W J	1	
	R547	NRSA6AJ-220W	MG RESISTOR	22Ω 1/16W J	1	
	R548	NRSA6AJ-0R0W	MG RESISTOR	0Ω 1/16W J	1	
	R549	NRSA6AJ-103W	MG RESISTOR	10kΩ 1/16W J	1	
	R550	NRSA6AJ-102W	MG RESISTOR	1kΩ 1/16W J	1	

MODEL	MARK	MODEL	MARK	MODEL	MARK	MODEL	MARK
KD-A925BTJ	A	KD-R921BTE	B	KD-R921BTEU	C	KD-R921BTEY	D
KD-R926BTU	E	KD-R926BTUH	F	KD-R926BTUT	G		

Safe	Symbol No.	Parts No.	Parts Name	Description	QTY	Local
	R551	NRSA6AJ-102W	MG RESISTOR	1kΩ 1/16W J	1	
	R552	NRSA6AJ-221W	MG RESISTOR	220Ω 1/16W J	1	
	R553	NRSA6AJ-105W	MG RESISTOR	1MΩ 1/16W J	1	
	R554	NRSA6AJ-102W	MG RESISTOR	1kΩ 1/16W J	1	
	R556	NRSA6AJ-0R0W	MG RESISTOR	0Ω 1/16W J	1	
	R557	NRSA6AJ-0R0W	MG RESISTOR	0Ω 1/16W J	1	
	R558	NRSA6AJ-822W	MG RESISTOR	8.2kΩ 1/16W J	1	
	R559	NRSA6AJ-822W	MG RESISTOR	8.2kΩ 1/16W J	1	
	R560	NRSA6AJ-0R0W	MG RESISTOR	0Ω 1/16W J	1	
	R561	NRSA6AJ-0R0W	MG RESISTOR	0Ω 1/16W J	1	
	R562	NRSA6AJ-0R0W	MG RESISTOR	0Ω 1/16W J	1	
	R563	NRSA02J-100X	MG RESISTOR	10Ω 1/10W J	1	
	R564	NRSA02J-100X	MG RESISTOR	10Ω 1/10W J	1	
	R565	NRSA6AJ-473W	MG RESISTOR	47kΩ 1/16W J	1	
	R566	NRSA6AJ-0R0W	MG RESISTOR	0Ω 1/16W J	1	
	R583	NRSA6AJ-243W	MG RESISTOR	24kΩ 1/16W J	1	
	R584	NRSA6AJ-243W	MG RESISTOR	24kΩ 1/16W J	1	
	R585	NRSA6AJ-822W	MG RESISTOR	8.2kΩ 1/16W J	1	
	R586	NRSA6AJ-822W	MG RESISTOR	8.2kΩ 1/16W J	1	
	R587	NRSA6AJ-273W	MG RESISTOR	27kΩ 1/16W J	1	
	R588	NRSA6AJ-273W	MG RESISTOR	27kΩ 1/16W J	1	
	R591	NRSA6AJ-103W	MG RESISTOR	10kΩ 1/16W J	1	
	R592	NRSA6AJ-103W	MG RESISTOR	10kΩ 1/16W J	1	
	R593	NRSA6AJ-103W	MG RESISTOR	10kΩ 1/16W J	1	
	R594	NRSA6AJ-103W	MG RESISTOR	10kΩ 1/16W J	1	
	R601	NRSA63J-100X	MG RESISTOR	10Ω 1/16W J	1	
	R701	NRSA6AJ-473W	MG RESISTOR	47kΩ 1/16W J	1	
	R702	NRSA6AJ-106W	MG RESISTOR	10MΩ 1/16W J	1	
	R703	NRSA6AJ-0R0W	MG RESISTOR	0Ω 1/16W J	1	
	R705	NRSA6AJ-153W	MG RESISTOR	15kΩ 1/16W J	1	
	R706	NRSA6AJ-0R0W	MG RESISTOR	0Ω 1/16W J	1	
	R708	NRSA6AJ-0R0W	MG RESISTOR	0Ω 1/16W J	1	
	R709	NRSA6AJ-0R0W	MG RESISTOR	0Ω 1/16W J	1	
	R710	NRSA63J-471X	MG RESISTOR	470Ω 1/16W J	1	
	R711	NRSA6AJ-472W	MG RESISTOR	4.7kΩ 1/16W J	1	
	R712	NRSA6AJ-101W	MG RESISTOR	100Ω 1/16W J	1	
	R713	NRSA6AJ-473W	MG RESISTOR	47kΩ 1/16W J	1	
	R714	NRSA6AJ-473W	MG RESISTOR	47kΩ 1/16W J	1	
	R715	NRSA6AJ-473W	MG RESISTOR	47kΩ 1/16W J	1	
	R716	NRSA6AJ-0R0W	MG RESISTOR	0Ω 1/16W J	1	
	R717	NRSA6AJ-473W	MG RESISTOR	47kΩ 1/16W J	1	
	R719	NRSA6AJ-473W	MG RESISTOR	47kΩ 1/16W J	1	
	R720	NRSA6AJ-473W	MG RESISTOR	47kΩ 1/16W J	1	
	R721	NRSA6AJ-101W	MG RESISTOR	100Ω 1/16W J	1	
	R722	NRSA6AJ-222W	MG RESISTOR	2.2kΩ 1/16W J	1	
	R723	NRSA6AJ-222W	MG RESISTOR	2.2kΩ 1/16W J	1	
	R724	NRSA6AJ-222W	MG RESISTOR	2.2kΩ 1/16W J	1	
	R725	NRSA6AJ-393W	MG RESISTOR	39kΩ 1/16W J	1	
	R726	NRSA6AJ-223W	MG RESISTOR	22kΩ 1/16W J	1	
	R727	NRSA6AJ-222W	MG RESISTOR	2.2kΩ 1/16W J	1	
	R728	NRSA6AJ-222W	MG RESISTOR	2.2kΩ 1/16W J	1	
	R729	NRSA6AJ-223W	MG RESISTOR	22kΩ 1/16W J	1	
	R730	NRSA6AJ-153W	MG RESISTOR	15kΩ 1/16W J	1	
	R731	NRSA6AJ-103W	MG RESISTOR	10kΩ 1/16W J	1	
	R732	NRSA6AJ-0R0W	MG RESISTOR	0Ω 1/16W J	1	
	R733	NRSA6AJ-0R0W	MG RESISTOR	0Ω 1/16W J	1	
	R734	NRSA6AJ-0R0W	MG RESISTOR	0Ω 1/16W J	1	
	R735	NRSA6AJ-0R0W	MG RESISTOR	0Ω 1/16W J	1	
	R737	NRSA6AJ-122W	MG RESISTOR	1.2kΩ 1/16W J	1	
	R738	NRSA6AJ-473W	MG RESISTOR	47kΩ 1/16W J	1	
	R739	NRSA6AJ-392W	MG RESISTOR	3.9kΩ 1/16W J	1	
	R740	NRSA6AJ-392W	MG RESISTOR	3.9kΩ 1/16W J	1	
	R741	NRSA6AJ-102W	MG RESISTOR	1kΩ 1/16W J	1	
	R742	NRSA6AJ-473W	MG RESISTOR	47kΩ 1/16W J	1	
	R744	NRSA6AJ-473W	MG RESISTOR	47kΩ 1/16W J	1	
	R745	NRSA6AJ-473W	MG RESISTOR	47kΩ 1/16W J	1	
	R746	NRSA6AJ-473W	MG RESISTOR	47kΩ 1/16W J	1	
	R747	NRSA6AJ-103W	MG RESISTOR	10kΩ 1/16W J	1	B,C,D,E,F,G
	R748	NRSA6AJ-103W	MG RESISTOR	10kΩ 1/16W J	1	A
	R749	NRSA6AJ-473W	MG RESISTOR	47kΩ 1/16W J	1	
	R750	NRSA6AJ-102W	MG RESISTOR	1kΩ 1/16W J	1	
	R751	NRSA6AJ-473W	MG RESISTOR	47kΩ 1/16W J	1	
	R752	NRSA6AJ-473W	MG RESISTOR	47kΩ 1/16W J	1	
	R753	NRSA6AJ-102W	MG RESISTOR	1kΩ 1/16W J	1	
	R754	NRSA6AJ-473W	MG RESISTOR	47kΩ 1/16W J	1	
	R755	NRSA6AJ-473W	MG RESISTOR	47kΩ 1/16W J	1	
	R756	NRSA6AJ-473W	MG RESISTOR	47kΩ 1/16W J	1	
	R757	NRSA6AJ-102W	MG RESISTOR	1kΩ 1/16W J	1	
	R758	NRSA6AJ-103W	MG RESISTOR	10kΩ 1/16W J	1	B,C,D
	R759	NRSA6AJ-102W	MG RESISTOR	1kΩ 1/16W J	1	A
	R760	NRSA6AJ-223W	MG RESISTOR	22kΩ 1/16W J	1	
	R761	NRSA6AJ-392W	MG RESISTOR	3.9kΩ 1/16W J	1	
	R762	NRSA6AJ-0R0W	MG RESISTOR	0Ω 1/16W J	1	A
	R763	NRSA6AJ-472W	MG RESISTOR	4.7kΩ 1/16W J	1	A
	R764	NRSA6AJ-472W	MG RESISTOR	4.7kΩ 1/16W J	1	A
	R765	NRSA6AJ-102W	MG RESISTOR	1kΩ 1/16W J	1	A
	R767	NRSA6AJ-102W	MG RESISTOR	1kΩ 1/16W J	1	
	R768	NRSA6AJ-123W	MG RESISTOR	12kΩ 1/16W J	1	
	R769	NRSA6AJ-104W	MG RESISTOR	100kΩ 1/16W J	1	
	R770	NRSA6AJ-474W	MG RESISTOR	470kΩ 1/16W J	1	

MODEL	MARK	MODEL	MARK	MODEL	MARK	MODEL	MARK
KD-A925BTJ	A	KD-R921BTE	B	KD-R921BTEU	C	KD-R921BTEY	D
KD-R926BTU	E	KD-R926BTUH	F	KD-R926BTUT	G		

Safe	Symbol No.	Parts No.	Parts Name	Description	QTY	Local
	R771	NRSA6AJ-271W	MG RESISTOR	270Ω 1/16W J	1	B,C,D
	R772	NRSA6AJ-271W	MG RESISTOR	270Ω 1/16W J	1	B,C,D
	R781	NRSA6AJ-473W	MG RESISTOR	47kΩ 1/16W J	1	
	R782	NRSA6AJ-331W	MG RESISTOR	330Ω 1/16W J	1	
	R783	NRSA6AJ-103W	MG RESISTOR	10kΩ 1/16W J	1	
	R785	NRSA6AJ-0R0W	MG RESISTOR	0Ω 1/16W J	1	
	R786	NRSA6AJ-0R0W	MG RESISTOR	0Ω 1/16W J	1	
	R790	NRSA6AJ-104W	MG RESISTOR	100kΩ 1/16W J	1	
	R791	NRSA6AJ-103W	MG RESISTOR	10kΩ 1/16W J	1	
	R792	NRSA6AJ-103W	MG RESISTOR	10kΩ 1/16W J	1	
	R793	NRSA6AJ-103W	MG RESISTOR	10kΩ 1/16W J	1	
	R794	NRSA6AJ-682W	MG RESISTOR	6.8kΩ 1/16W J	1	
	R796	NRSA6AJ-223W	MG RESISTOR	22kΩ 1/16W J	1	
	R797	NRSA6AJ-222W	MG RESISTOR	2.2kΩ 1/16W J	1	
	R799	NRSA6AJ-473W	MG RESISTOR	47kΩ 1/16W J	1	
	R801	NRSA6AJ-392W	MG RESISTOR	3.9kΩ 1/16W J	1	A
	R803	NRSA6AJ-682W	MG RESISTOR	6.8kΩ 1/16W J	1	A
	R804	NRSA6AJ-101W	MG RESISTOR	100Ω 1/16W J	1	A
	R805	NRSA6AJ-473W	MG RESISTOR	47kΩ 1/16W J	1	A
	R806	NRSA6AJ-104W	MG RESISTOR	100kΩ 1/16W J	1	A
	R807	NRSA6AJ-101W	MG RESISTOR	100Ω 1/16W J	1	A
	R808	NRSA6AJ-473W	MG RESISTOR	47kΩ 1/16W J	1	A
	R809	NRSA6AJ-682W	MG RESISTOR	6.8kΩ 1/16W J	1	A
	R810	NRSA6AJ-104W	MG RESISTOR	100kΩ 1/16W J	1	A
	R811	NRSA6AJ-104W	MG RESISTOR	100kΩ 1/16W J	1	A
	R812	NRSA6AJ-392W	MG RESISTOR	3.9kΩ 1/16W J	1	A
	R814	NRSA6AJ-0R0W	MG RESISTOR	0Ω 1/16W J	1	A
	R851	NRSA63J-472X	MG RESISTOR	4.7kΩ 1/16W J	1	E,F,G
	R881	NRSA6AJ-273W	MG RESISTOR	27kΩ 1/16W J	1	
	R882	NRSA63J-473X	MG RESISTOR	47kΩ 1/16W J	1	
	R901	NRSA63J-103X	MG RESISTOR	10kΩ 1/16W J	1	
	R903	NRSA02J-562X	MG RESISTOR	5.6kΩ 1/10W J	1	
	R904	NRSA63D-274X	MG RESISTOR	270kΩ 1/16W D	1	
	R905	NRSA63J-472X	MG RESISTOR	4.7kΩ 1/16W J	1	
	R906	NRSA6AD-273W	MG RESISTOR	27kΩ 1/16W D	1	
	R922	NRSA6AJ-0R0W	MG RESISTOR	0Ω 1/16W J	1	
	R923	NRSA6AJ-0R0W	MG RESISTOR	0Ω 1/16W J	1	
	R930	NRSA63J-0R0X	MG RESISTOR	0Ω 1/10W J	1	
	R931	NRSA6AD-272W	MG RESISTOR	2.7kΩ 1/16W D	1	
	R932	NRSA6AJ-471W	MG RESISTOR	470Ω 1/16W J	1	
	R933	NRSA6AJ-470W	MG RESISTOR	47Ω 1/16W J	1	
	R934	NRSA6AD-102W	MG RESISTOR	1kΩ 1/16W D	1	
	R935	NRSA6AJ-472W	MG RESISTOR	4.7kΩ 1/16W J	1	
	R936	NRSA6AD-333W	MG RESISTOR	33kΩ 1/16W D	1	
	R937	NRSA6AD-333W	MG RESISTOR	33kΩ 1/16W D	1	
	R938	NRSA6AJ-563W	MG RESISTOR	56kΩ 1/16W J	1	
	R939	NRSA6AJ-683W	MG RESISTOR	68kΩ 1/16W J	1	
	R940	NRSA63J-471X	MG RESISTOR	470Ω 1/16W J	1	
	R941	NRSA6AD-272W	MG RESISTOR	2.7kΩ 1/16W D	1	
	R942	NRSA6AJ-471W	MG RESISTOR	470Ω 1/16W J	1	
	R943	NRSA6AJ-470W	MG RESISTOR	47Ω 1/16W J	1	
	R944	NRSA6AD-102W	MG RESISTOR	1kΩ 1/16W D	1	
	R945	NRSA6AJ-472W	MG RESISTOR	4.7kΩ 1/16W J	1	
	R946	NRSA6AD-333W	MG RESISTOR	33kΩ 1/16W D	1	
	R947	NRSA6AD-333W	MG RESISTOR	33kΩ 1/16W D	1	
	R948	NRSA6AJ-563W	MG RESISTOR	56kΩ 1/16W J	1	
	R949	NRSA6AJ-683W	MG RESISTOR	68kΩ 1/16W J	1	
	R950	NRSA63J-471X	MG RESISTOR	470Ω 1/16W J	1	
	R951	NRSA63J-471X	MG RESISTOR	470Ω 1/16W J	1	
	R952	NRSA63J-5R6X	MG RESISTOR	5.6Ω 1/16W J	1	
	R953	NRSA63J-5R6X	MG RESISTOR	5.6Ω 1/16W J	1	
	R954	NRSA63J-471X	MG RESISTOR	470Ω 1/16W J	1	
	R955	NRS181J-271X	MG RESISTOR	270Ω 1/8W J	1	
	R956	NRS181J-271X	MG RESISTOR	270Ω 1/8W J	1	
	R957	NRSA6AJ-273W	MG RESISTOR	27kΩ 1/16W J	1	
	R958	NRSA6AJ-104W	MG RESISTOR	100kΩ 1/16W J	1	
	R959	NRSA6AJ-682W	MG RESISTOR	6.8kΩ 1/16W J	1	
	R971	NRSA6AJ-103W	MG RESISTOR	10kΩ 1/16W J	1	
	R972	NRSA6AJ-103W	MG RESISTOR	10kΩ 1/16W J	1	
	R973	NRSA6AJ-203W	MG RESISTOR	20kΩ 1/16W J	1	
	R974	NRSA6AJ-473W	MG RESISTOR	47kΩ 1/16W J	1	
	R975	NRSA02J-473X	MG RESISTOR	47kΩ 1/10W J	1	
	R976	NRSA02J-683X	MG RESISTOR	68kΩ 1/10W J	1	
	R977	NRSA6AJ-473W	MG RESISTOR	47kΩ 1/16W J	1	
	R981	NRS181J-332X	MG RESISTOR	3.3kΩ 1/8W J	1	
	RA541	NRZ0034-330W	NET RESISTOR	33Ω 1/32W J x4	1	
	RA542	NRZ0034-330W	NET RESISTOR	33Ω 1/32W J x4	1	
	L1	QQL232K-R47Z	COIL	0.47uH K	1	
	L2	QQL232K-1R8Z	COIL	1.8uH K	1	
	L3	QQL232K-R27Z	COIL	0.27uH K	1	
	L4	QQR1872-001	RF COIL		1	
	L5	QQL244J-561Z	COIL	560uH J	1	
	L6	QQL244J-561Z	COIL	560uH J	1	
	L8	NQL093K-4R7X	P COIL	4.7uH K	1	
	L9	NQL093K-R47X	P COIL	0.47uH K	1	
	L10	NQR0269-026X	FERRITE BEADS	10.500mA	1	A
	L161	NQL553J-27NX	COIL	27nH J	1	
	L162	NQL79GM-100X	COIL	10uH M	1	
	L201	NQL79GM-470X	COIL	47uH M	1	
	L521	NQL093K-1R8X	P COIL	1.8uH K	1	

MODEL	MARK	MODEL	MARK	MODEL	MARK	MODEL	MARK
KD-A925BTJ	A	KD-R921BTE	B	KD-R921BTEU	C	KD-R921BTEY	D
KD-R926BTU	E	KD-R926BTUH	F	KD-R926BTUT	G		

Safe	Symbol No.	Parts No.	Parts Name	Description	QTY	Local
	L701	QQL244K-4R7Z	COIL	4.7uH K	1	
	L702	QQL244K-4R7Z	COIL	4.7uH K	1	
	L703	QQL244J-470Z	COIL	47uH J	1	
	L901	QQR1809-001	CHOKO COIL		1	
	L902	NQL79GM-101X	COIL	100uH M	1	
	L931	QQL92AK-330Z	COIL	33uH K	1	
	L941	QQL92AK-330Z	COIL	33uH K	1	
	CN90	QGA2001C1-02	CONNECTOR	W-B (1-2)	1	
	CN472	QGA2001C1-05	CONNECTOR	W-B (1-5)	1	
	CN502	QGF1049F1-26X	CONNECTOR	FFC/FPC (1-26)	1	
	CN701	QGB1004K1-28	CONNECTOR	B-B (1-28)	1	
	CN901	QNZ0607-001	CAR CONNECTOR		1	
△	F931	NMFZ018-3R0X-E	FUSE	3A	1	
	J1	QNB0190-001	ANT TERMINAL		1	
	J1 or	QNB0348-001	ANT TERMINAL		1	
	J321	QNN0839-001	PIN JACK		1	
	J801	QNZ0095-001	CONNECTOR		1	A
	K162	NRSA02J-0R0X	MG RESISTOR	0Ω 1/10W J	1	
	K171	NRSA02J-0R0X	MG RESISTOR	0Ω 1/10W J	1	
	K172	NRSA02J-0R0X	MG RESISTOR	0Ω 1/10W J	1	
	K581	NQR0022-005X	FERRITE BEADS		1	
	K931	NRSA63J-0R0X	MG RESISTOR	0Ω 1/10W J	1	
	K941	NRSA63J-0R0X	MG RESISTOR	0Ω 1/10W J	1	
	LF472	NQR0682-001X	CHOKO COIL		1	
	PP1	QZW0010-001	STYLE PIN		1	
	PP3	QZW0010-001	STYLE PIN		1	
	PP4	QZW0010-001	STYLE PIN		1	
	PP5	QZW0010-001	STYLE PIN		1	
	PP6	QZW0010-001	STYLE PIN		1	
	S701	QSW0451-001	PUSH SWITCH		1	
	S702	QSW0451-001	PUSH SWITCH		1	
	S703	QSW0648-001Z	TACT SWITCH		1	
	X11	QAX0952-001Z	CRYSTAL		1	
	X201	NAX1133-001X	CRYSTAL		1	
	X521	QAX0714-001Z	C RESONATOR	16.000MHz	1	
	X701	NAX0917-001X	C RESONATOR		1	
	X702	QAX0401-001	CRYSTAL	32.768KHz	1	
Switch board <02>						
	IC601	PCA9624PW-X	IC		1	
	IC602	XC6120N242NG-X	IC		1	
△	IC661	JES213C	IC(MCU)		1	
	IC681	KSM-2003TN5B	IR DETECT UNIT		1	
	Q601	2SA812A/5-6/-X	TRANSISTOR		1	
	Q601 or	ISA1530AC1/QR/X	TRANSISTOR		1	
	Q602	2SA812A/5-6/-X	TRANSISTOR		1	
	Q602 or	ISA1530AC1/QR/X	TRANSISTOR		1	
	Q603	2SC1623A/5-6/-X	TRANSISTOR		1	
	Q603 or	2SC3928A/QR/-X	TRANSISTOR		1	
	D601	NSSM065T-X	LED		1	
	D602	NSSM065T-X	LED		1	
	D603	NSSM065T-X	LED		1	
	D604	SML-D12V8W-X	LED		1	
	D605	SML-D12V8W-X	LED		1	
	D606	SML-D12V8W-X	LED		1	
	D607	SML-D12V8W-X	LED		1	
	D608	NSSM065T-X	LED		1	
	D609	NSSM065T-X	LED		1	
	D618	DZZJ056/M/-X	Z DIODE		1	
	D624	DA2J101-X	SI DIODE		1	
	D625	DZZJ051/M/-X	Z DIODE		1	
	D626	DZZJ051/M/-X	Z DIODE		1	
	D630	MC2838-X	DIODE		1	
	C601	NCB31EK-473X	C CAPACITOR	0.047uF 25V K	1	
	C604	NCB31EK-473X	C CAPACITOR	0.047uF 25V K	1	
	C605	NCB31EK-473X	C CAPACITOR	0.047uF 25V K	1	
	C606	NCB31EK-473X	C CAPACITOR	0.047uF 25V K	1	
	C607	NCB20JK-106X	C CAPACITOR	10uF 6.3V K	1	
	C611	NCB31CK-104X	C CAPACITOR	0.1uF 16V	1	
	C612	NCB31CK-105X	C CAPACITOR	1uF 16V K	1	
	C614	NCJ21CK-106X-R	C CAPACITOR	10uF 16V K	1	
	C615	NCB31CK-105X	C CAPACITOR	1uF 16V K	1	
	C616	NCJ30JM-106X-A	C CAPACITOR	10uF 6.3V M	1	
	C624	NCJ21CK-106X-R	C CAPACITOR	10uF 16V K	1	
	C630	NCB31EK-473X	C CAPACITOR	0.047uF 25V K	1	
	C631	NCB20JK-475X	C CAPACITOR	4.7uF 6.3V K	1	
	C632	NCB31CK-104X	C CAPACITOR	0.1uF 16V	1	
	C644	NCB31CK-105X	C CAPACITOR	1uF 16V K	1	
	C649	NCB31CK-105X	C CAPACITOR	1uF 16V K	1	
	C651	NCB20JK-475X	C CAPACITOR	4.7uF 6.3V K	1	
	C653	NCB31CK-105X	C CAPACITOR	1uF 16V K	1	
	C654	NCB31CK-105X	C CAPACITOR	1uF 16V K	1	
	C655	NCB31CK-105X	C CAPACITOR	1uF 16V K	1	
	C656	NCB11EK-105X	C CAPACITOR	1uF 25V K	1	
	C657	NCB31CK-105X	C CAPACITOR	1uF 16V K	1	
	C658	NCB11EK-105X	C CAPACITOR	1uF 25V K	1	
	C659	NCB31CK-105X	C CAPACITOR	1uF 16V K	1	
	C660	NCB31CK-105X	C CAPACITOR	1uF 16V K	1	
	C661	NCB31CK-105X	C CAPACITOR	1uF 16V K	1	
	C662	NCB31CK-105X	C CAPACITOR	1uF 16V K	1	
	C663	NCB31CK-105X	C CAPACITOR	1uF 16V K	1	
	C664	NCB31CK-104X	C CAPACITOR	0.1uF 16V	1	
	C682	NCB31EK-104X	C CAPACITOR	0.1uF 25V K	1	

MODEL	MARK	MODEL	MARK	MODEL	MARK	MODEL	MARK
KD-A925BTJ	A	KD-R921BTE	B	KD-R921BTEU	C	KD-R921BTEY	D
KD-R926BTU	E	KD-R926BTUH	F	KD-R926BTUT	G		

Safe	Symbol No.	Parts No.	Parts Name	Description	QTY	Local
	C688	NCJ11EK-106X-R	C CAPACITOR	10uF 25V	1	
	R601	NRSA63J-472X	MG RESISTOR	4.7kΩ 1/16W J	1	
	R602	NRSA63J-681X	MG RESISTOR	680Ω 1/16W J	1	
	R603	NRSA63J-681X	MG RESISTOR	680Ω 1/16W J	1	
	R604	NRSA63J-102X	MG RESISTOR	1kΩ 1/16W J	1	
	R605	NRSA63J-102X	MG RESISTOR	1kΩ 1/16W J	1	
	R606	NRSA63J-103X	MG RESISTOR	10kΩ 1/16W J	1	
	R607	NRSA63J-473X	MG RESISTOR	47kΩ 1/16W J	1	
	R608	NRSA63J-473X	MG RESISTOR	47kΩ 1/16W J	1	
	R609	NRSA63J-222X	MG RESISTOR	2.2kΩ 1/16W J	1	
	R610	NRSA63J-680X	MG RESISTOR	68Ω 1/16W J	1	
	R611	NRSA63J-103X	MG RESISTOR	10kΩ 1/16W J	1	
	R612	NRSA63J-331X	MG RESISTOR	330Ω 1/16W J	1	
	R613	NRSA63J-103X	MG RESISTOR	10kΩ 1/16W J	1	
	R614	NRSA63J-472X	MG RESISTOR	4.7kΩ 1/16W J	1	
	R615	NRSA63J-153X	MG RESISTOR	15kΩ 1/16W J	1	
	R616	NRSA63J-103X	MG RESISTOR	10kΩ 1/16W J	1	
	R617	NRSA63J-103X	MG RESISTOR	10kΩ 1/16W J	1	
	R618	NRSA63J-331X	MG RESISTOR	330Ω 1/16W J	1	
	R619	NRSA63J-331X	MG RESISTOR	330Ω 1/16W J	1	
	R620	NRSA63J-331X	MG RESISTOR	330Ω 1/16W J	1	
	R621	NRSA63J-331X	MG RESISTOR	330Ω 1/16W J	1	
	R624	NRSA63J-103X	MG RESISTOR	10kΩ 1/16W J	1	
	R625	NRSA63J-103X	MG RESISTOR	10kΩ 1/16W J	1	
	R626	NRSA63J-472X	MG RESISTOR	4.7kΩ 1/16W J	1	
	R627	NRSA63J-472X	MG RESISTOR	4.7kΩ 1/16W J	1	
	R628	NRSA63J-103X	MG RESISTOR	10kΩ 1/16W J	1	
	R629	NRS181J-0R0X	MG RESISTOR	0Ω 1/8W J	1	
	R632	NRSA63J-103X	MG RESISTOR	10kΩ 1/16W J	1	
	R633	NRSA63J-0R0X	MG RESISTOR	0Ω 1/10W J	1	
	R634	NRSA63J-473X	MG RESISTOR	47kΩ 1/16W J	1	
	R635	NRSA63J-222X	MG RESISTOR	2.2kΩ 1/16W J	1	
	R637	NRSA63J-0R0X	MG RESISTOR	0Ω 1/10W J	1	
	R643	NRSA63J-331X	MG RESISTOR	330Ω 1/16W J	1	
	R647	NRS181J-821X	MG RESISTOR	820Ω 1/8W J	1	
	R648	NRS181J-471X	MG RESISTOR	470Ω 1/8W J	1	
	R649	NRS181J-471X	MG RESISTOR	470Ω 1/8W J	1	
	R650	NRS181J-821X	MG RESISTOR	820Ω 1/8W J	1	
	R651	NRS181J-561X	MG RESISTOR	560Ω 1/8W J	1	
	R652	NRS181J-561X	MG RESISTOR	560Ω 1/8W J	1	
	R653	NRS181J-751X	MG RESISTOR	750Ω 1/8W J	1	
	R654	NRS181J-471X	MG RESISTOR	470Ω 1/8W J	1	
	R655	NRS181J-471X	MG RESISTOR	470Ω 1/8W J	1	
	R658	NRSA63J-151X	MG RESISTOR	150Ω 1/16W J	1	
	R660	NRSA63J-151X	MG RESISTOR	150Ω 1/16W J	1	
	R661	NRSA63J-821X	MG RESISTOR	820Ω 1/16W J	1	
	R662	NRSA63J-821X	MG RESISTOR	820Ω 1/16W J	1	
	R663	NRSA63J-122X	MG RESISTOR	1.2kΩ 1/16W J	1	
	R664	NRSA63J-182X	MG RESISTOR	1.8kΩ 1/16W J	1	
	R665	NRSA63J-272X	MG RESISTOR	2.7kΩ 1/16W J	1	
	R666	NRSA63J-821X	MG RESISTOR	820Ω 1/16W J	1	
	R667	NRSA63J-821X	MG RESISTOR	820Ω 1/16W J	1	
	R668	NRSA63J-122X	MG RESISTOR	1.2kΩ 1/16W J	1	
	R669	NRS181J-182X	MG RESISTOR	1.8kΩ 1/8W J	1	
	R670	NRSA63J-272X	MG RESISTOR	2.7kΩ 1/16W J	1	
	R671	NRSA63J-473X	MG RESISTOR	47kΩ 1/16W J	1	
	R672	NRSA63J-681X	MG RESISTOR	680Ω 1/16W J	1	
	R673	NRS181J-4R7X	MG RESISTOR	4.7Ω 1/8W J	1	
	R676	NRSA63J-471X	MG RESISTOR	470Ω 1/16W J	1	
	R677	NRSA63J-471X	MG RESISTOR	470Ω 1/16W J	1	
	R678	NRSA63J-471X	MG RESISTOR	470Ω 1/16W J	1	
	R681	NRSA63J-471X	MG RESISTOR	470Ω 1/16W J	1	
	R682	NRSA63J-103X	MG RESISTOR	10kΩ 1/16W J	1	
	R686	NRSA63J-392X	MG RESISTOR	3.9kΩ 1/16W J	1	
	R690	NRSA63J-102X	MG RESISTOR	1kΩ 1/16W J	1	
	R691	NRSA63J-101X	MG RESISTOR	100Ω 1/16W J	1	
	R693	NRSA63J-103X	MG RESISTOR	10kΩ 1/16W J	1	
	R694	NRSA63J-473X	MG RESISTOR	47kΩ 1/16W J	1	
	R695	NRSA63J-473X	MG RESISTOR	47kΩ 1/16W J	1	
	R696	NRSA63J-474X	MG RESISTOR	470kΩ 1/16W J	1	
	R697	NRSA63J-101X	MG RESISTOR	100Ω 1/16W J	1	
	R698	NRSA63J-101X	MG RESISTOR	100Ω 1/16W J	1	
	RA601	NRB04DJ-472X	NET RESISTOR	4.7kΩ J	1	
	RA604	NRB04DJ-331X	NET RESISTOR	330Ω J	1	
	RA605	NRB04DJ-331X	NET RESISTOR	330Ω J	1	
	L601	NQL79GM-470X	COIL	47uH M	1	
	L604	NQR0022-005X	FERRITE BEADS		1	
	L670	NQR0007-002X	FERRITE BEADS		1	
	L671	NQR0007-002X	FERRITE BEADS		1	
	L672	NQR0007-002X	FERRITE BEADS		1	
	B602	NRSA63J-0R0X	MG RESISTOR	0Ω 1/10W J	1	
	CJ601	QGZ1201M1-25W	CONNECTOR	(1-25)	1	
	CN602	QGF0522F3-33W	CONNECTOR	FFC/FPC (1-33)	1	
	CN603	QNZ1007-001	USB CONNECTOR		1	
	EN601	QSW1231-002	ROTARY ENCODER		1	
	J601	QNS0298-001	3.5 JACK		1	
	LF691	NQR0682-001X	CHOKE COIL		1	
	S601	NSW0246-001X	TACK SW		1	
	S602	NSW0246-001X	TACK SW		1	
	S603	NSW0246-001X	TACK SW		1	

MODEL	MARK	MODEL	MARK	MODEL	MARK	MODEL	MARK
KD-A925BTJ	A	KD-R921BTE	B	KD-R921BTEU	C	KD-R921BTEY	D
KD-R926BTU	E	KD-R926BTUH	F	KD-R926BTUT	G		

Safe	Symbol No.	Parts No.	Parts Name	Description	QTY	Local
	S604	NSW0246-001X	TACK SW		1	
	S605	NSW0246-001X	TACK SW		1	
	S606	NSW0246-001X	TACK SW		1	
	S607	NSW0246-001X	TACK SW		1	
	S608	NSW0246-001X	TACK SW		1	
	S609	NSW0246-001X	TACK SW		1	
	S610	NSW0246-001X	TACK SW		1	
	S611	NSW0246-001X	TACK SW		1	
	X601	NAX0752-001X	C RESONATOR		1	
USB board <03>						
	IC401	TCC8600	IC		1	
	IC402	R1EX24512ASAS-X	IC		1	
	IC402	or M24512-WMN6-X	IC		1	
	IC441	JVM499F	PROGRAMMED IC		1	
	IC442	M12L1281687TG2L	IC(DIGITAL)		1	
	IC471	74LVC1G3157GW-X	IC		1	
	IC481	MFI341S2162-X	IC		1	
	IC491	NJM2878F4-18-X	IC		1	
	IC601	PCM1780-X	IC		1	
	Q401	RT1N441C-X	TRANSISTOR		1	
	D601	RKZ5.1B2KG-X	SB DIODE		1	
	C401	NDC31HJ-561X	C CAPACITOR	560pF 50V J	1	
	C402	NDC31HJ-561X	C CAPACITOR	560pF 50V J	1	
	C403	NDC31HJ-561X	C CAPACITOR	560pF 50V J	1	
	C404	NDC31HJ-561X	C CAPACITOR	560pF 50V J	1	
	C405	NDC31HJ-561X	C CAPACITOR	560pF 50V J	1	
	C406	NDC31HJ-471W	C CAPACITOR	470pF 50V J	1	
	C407	NDC31HJ-270X	C CAPACITOR	27pF 50V J	1	
	C408	NDC31HJ-270X	C CAPACITOR	27pF 50V J	1	
	C409	NCBA1CK-104W	C CAPACITOR	0.1uF 16V K	1	
	C410	NDC31HJ-561X	C CAPACITOR	560pF 50V J	1	
	C414	NCBA1CK-104W	C CAPACITOR	0.1uF 16V K	1	
	C415	NCBA1HK-122W	C CAPACITOR	1200pF 50V K	1	
	C416	NCJ30JM-106X-A	C CAPACITOR	10uF 6.3V M	1	
	C417	NDC31HJ-331W	C CAPACITOR	330pF 50V J	1	
	C418	NCB31CK-154X	C CAPACITOR	0.15uF 16V K	1	
	C419	NDC31HJ-561X	C CAPACITOR	560pF 50V J	1	
	C420	NDC31HJ-561X	C CAPACITOR	560pF 50V J	1	
	C421	NCBA1CK-104W	C CAPACITOR	0.1uF 16V K	1	
	C422	NCBA1CK-104W	C CAPACITOR	0.1uF 16V K	1	
	C423	NCBA1CK-104W	C CAPACITOR	0.1uF 16V K	1	
	C424	NCBA1CK-104W	C CAPACITOR	0.1uF 16V K	1	
	C425	NCB31CK-104X	C CAPACITOR	0.1uF 16V	1	
	C426	NDC31HJ-200W	C CAPACITOR	20pF 50V J	1	
	C430	NQR0450-001X	EMI FILTER	0.022uF 50V M	1	
	C441	NCBA1CK-104W	C CAPACITOR	0.1uF 16V K	1	
	C442	NBE20JM-226X	TA E CAPACITOR	22uF 6.3V M	1	
	C443	NBE20JM-226X	TA E CAPACITOR	22uF 6.3V M	1	
	C444	NDC31HJ-561X	C CAPACITOR	560pF 50V J	1	
	C445	NDC31HJ-561X	C CAPACITOR	560pF 50V J	1	
	C446	NDC31HJ-561X	C CAPACITOR	560pF 50V J	1	
	C447	NDC31HJ-561X	C CAPACITOR	560pF 50V J	1	
	C448	NDC31HJ-561X	C CAPACITOR	560pF 50V J	1	
	C449	NDC31HJ-561X	C CAPACITOR	560pF 50V J	1	
	C450	NDC31HJ-561X	C CAPACITOR	560pF 50V J	1	
	C451	NDC31HJ-471W	C CAPACITOR	470pF 50V J	1	
	C452	NDC31HJ-471W	C CAPACITOR	470pF 50V J	1	
	C453	NDC31HJ-471W	C CAPACITOR	470pF 50V J	1	
	C454	NRSA6AJ-153W	MG RESISTOR	15kΩ 1/16W J	1	
	C455	NRSA6AJ-153W	MG RESISTOR	15kΩ 1/16W J	1	
	C471	NCBA1CK-104W	C CAPACITOR	0.1uF 16V K	1	
	C481	NCB31CK-104X	C CAPACITOR	0.1uF 16V	1	
	C482	NCBA1CK-104W	C CAPACITOR	0.1uF 16V K	1	
	C491	NBE41AM-476X	TA E CAPACITOR	47uF 10V M	1	
	C492	NCB20JK-106X	C CAPACITOR	10uF 6.3V K	1	
	C493	NCB31CK-104X	C CAPACITOR	0.1uF 16V	1	
	C494	NCBA1CK-104W	C CAPACITOR	0.1uF 16V K	1	
	C495	NBE20JM-226X	TA E CAPACITOR	22uF 6.3V M	1	
	C497	NDC31HJ-331X	C CAPACITOR	330pF 50V J	1	
	C601	NBE41AM-476X	TA E CAPACITOR	47uF 10V M	1	
	C602	NCBA1CK-123W	C CAPACITOR	0.012uF 16V K	1	
	C603	NCBA1CK-104W	C CAPACITOR	0.1uF 16V K	1	
	C604	NBE41AM-476X	TA E CAPACITOR	47uF 10V M	1	
	C605	NDC31HJ-101W	C CAPACITOR	100pF 50V J	1	
	C606	NDC31HJ-101W	C CAPACITOR	100pF 50V J	1	
	R401	NRSA6AJ-470W	MG RESISTOR	47Ω 1/16W J	1	
	R402	NRSA6AJ-470W	MG RESISTOR	47Ω 1/16W J	1	
	R403	NRSA6AJ-470W	MG RESISTOR	47Ω 1/16W J	1	
	R404	NRSA6AJ-151W	MG RESISTOR	150Ω 1/16W J	1	
	R405	NRSA6AJ-105W	MG RESISTOR	1MΩ 1/16W J	1	
	R406	NQR0022-005X	FERRITE BEADS		1	
	R407	NQR0286-007X	FERRITE BEADS		1	
	R408	NRSA6AJ-223W	MG RESISTOR	22kΩ 1/16W J	1	
	R409	NRSA6AJ-223W	MG RESISTOR	22kΩ 1/16W J	1	
	R410	NRSA6AJ-472W	MG RESISTOR	4.7kΩ 1/16W J	1	
	R411	NRSA6AJ-330W	MG RESISTOR	33Ω 1/16W J	1	
	R412	NRSA6AJ-330W	MG RESISTOR	33Ω 1/16W J	1	
	R413	NRSA6AJ-330W	MG RESISTOR	33Ω 1/16W J	1	
	R414	NRSA6AJ-330W	MG RESISTOR	33Ω 1/16W J	1	
	R415	NRSA6AJ-472W	MG RESISTOR	4.7kΩ 1/16W J	1	
	R416	NRSA6AJ-271W	MG RESISTOR	270Ω 1/16W J	1	

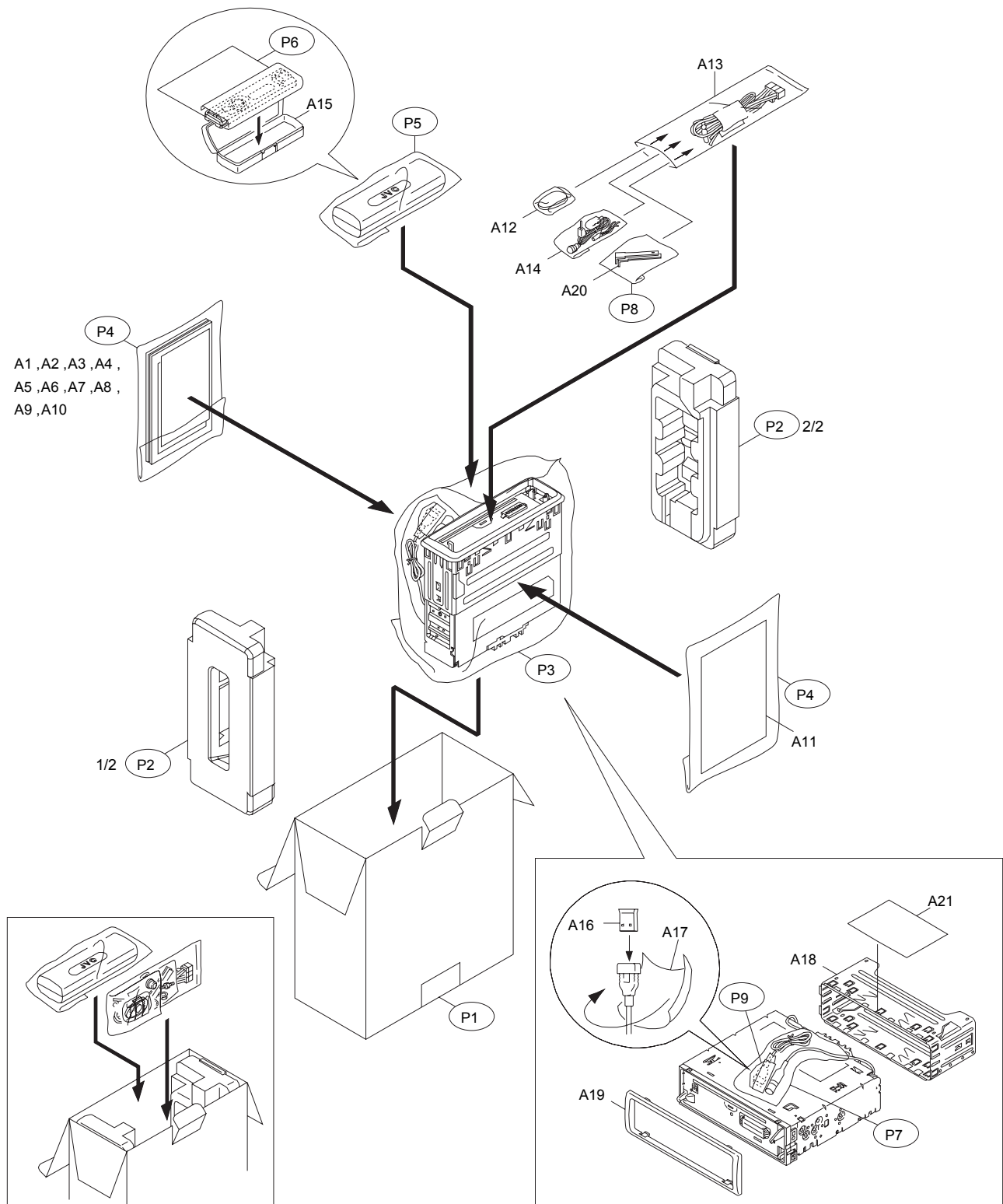
MODEL	MARK	MODEL	MARK	MODEL	MARK	MODEL	MARK
KD-A925BTJ	A	KD-R921BTE	B	KD-R921BTEU	C	KD-R921BTEY	D
KD-R926BTU	E	KD-R926BTUH	F	KD-R926BTUT	G		

Safe	Symbol No.	Parts No.	Parts Name	Description	QTY	Local	
	R417	NRSA6AJ-271W	MG RESISTOR	270Ω 1/16W J	1		
	R418	NRSA6AJ-472W	MG RESISTOR	4.7kΩ 1/16W J	1		
	R419	NRSA6AJ-472W	MG RESISTOR	4.7kΩ 1/16W J	1		
	R420	NRSA6AJ-472W	MG RESISTOR	4.7kΩ 1/16W J	1		
	R421	NRSA6AJ-222W	MG RESISTOR	2.2kΩ 1/16W J	1		
	R422	NRSA6AJ-222W	MG RESISTOR	2.2kΩ 1/16W J	1		
	R423	NRSA63J-472X	MG RESISTOR	4.7kΩ 1/16W J	1		
	R425	NRSA6AJ-102W	MG RESISTOR	1kΩ 1/16W J	1		
	R426	NRSA6AJ-472W	MG RESISTOR	4.7kΩ 1/16W J	1		
	R427	NRSA6AJ-472W	MG RESISTOR	4.7kΩ 1/16W J	1		
	R428	NRSA63J-101X	MG RESISTOR	100Ω 1/16W J	1		
	R429	NRSA6AJ-472W	MG RESISTOR	4.7kΩ 1/16W J	1		
	R430	NRSA6AJ-101W	MG RESISTOR	100Ω 1/16W J	1		
	R431	NRSA6AJ-101W	MG RESISTOR	100Ω 1/16W J	1		
	R432	NRSA6AJ-102W	MG RESISTOR	1kΩ 1/16W J	1		
	R435	NRSA63J-103X	MG RESISTOR	10kΩ 1/16W J	1		
	R436	NRSA6AJ-103W	MG RESISTOR	10kΩ 1/16W J	1		
	R441	NRSA6AJ-0R0W	MG RESISTOR	0Ω 1/16W J	1		
	R443	NRSA63J-472X	MG RESISTOR	4.7kΩ 1/16W J	1		
	R444	NRSA6AJ-473W	MG RESISTOR	47kΩ 1/16W J	1		
	R445	NRSA63J-472X	MG RESISTOR	4.7kΩ 1/16W J	1		
	R446	NRSA63J-472X	MG RESISTOR	4.7kΩ 1/16W J	1		
	R451	NQR0286-007X	FERRITE BEADS		1		
	R452	NQR0286-007X	FERRITE BEADS		1		
	R453	NQR0286-007X	FERRITE BEADS		1		
	R454	NQR0286-007X	FERRITE BEADS		1		
	R455	NRSA6AJ-330W	MG RESISTOR	33Ω 1/16W J	1		
	R456	NRSA6AJ-330W	MG RESISTOR	33Ω 1/16W J	1		
	R457	NRSA6AJ-330W	MG RESISTOR	33Ω 1/16W J	1		
	R458	NRSA6AJ-0R0W	MG RESISTOR	0Ω 1/16W J	1		
	R462	NRSA6AJ-0R0W	MG RESISTOR	0Ω 1/16W J	1		
	R463	NRSA6AJ-0R0W	MG RESISTOR	0Ω 1/16W J	1		
	R481	NRSA6AJ-473W	MG RESISTOR	47kΩ 1/16W J	1		
	R521	NQR0286-007X	FERRITE BEADS		1		
	R601	NQR0286-007X	FERRITE BEADS		1		
	R602	NQR0286-007X	FERRITE BEADS		1		
	R603	NQR0286-007X	FERRITE BEADS		1		
	R604	NRSA6AJ-220W	MG RESISTOR	22Ω 1/16W J	1		
	R605	NRSA6AJ-220W	MG RESISTOR	22Ω 1/16W J	1		
	R606	NRSA6AJ-220W	MG RESISTOR	22Ω 1/16W J	1		
	R607	NRSA63J-220X	MG RESISTOR	22Ω 1/16W J	1		
	R608	NRS181J-181X	MG RESISTOR	180Ω 1/8W J	1		
	R609	NRS181J-181X	MG RESISTOR	180Ω 1/8W J	1		
	L401	NQL093K-R12X	P COIL	0.12uH K	1		
	L402	NQL093K-R12X	P COIL	0.12uH K	1		
	L403	NRSA02J-0R0X	MG RESISTOR	0Ω 1/10W J	1		
	L404	NQR0022-005X	FERRITE BEADS		1		
	L405	NQR0022-005X	FERRITE BEADS		1		
	L406	NRSA63J-151X	MG RESISTOR	150Ω 1/16W J	1		
	L407	NQR0022-005X	FERRITE BEADS		1		
	L491	NQL79GM-4R7X	COIL	4.7uH M	1		
	L601	NQL79GM-470X	COIL	47uH M	1		
	CN441	QGG2011M1-18X	CONNECTOR	(1-18)	1		
	CN442	QGG2011M1-18X	CONNECTOR	(1-18)	1		
	CN444	QGG2504M5-02	CONNECTOR	(1-2)	1		
	K441	NQR0502-001X	FERRITE BEADS		1		
	K442	NQR0286-007X	FERRITE BEADS		1		
	K443	NQR0286-007X	FERRITE BEADS		1		
	K444	NQR0286-007X	FERRITE BEADS		1		
	K445	NQR0286-007X	FERRITE BEADS		1		
	K446	NQR0286-007X	FERRITE BEADS		1		
	K447	NQR0286-007X	FERRITE BEADS		1		
	K448	NQR0286-007X	FERRITE BEADS		1		
	K449	NQR0286-007X	FERRITE BEADS		1		
	K450	NQR0286-007X	FERRITE BEADS		1		
	K451	NQR0022-005X	FERRITE BEADS		1		
	K452	NQR0286-007X	FERRITE BEADS		1		
	K453	NQR0286-007X	FERRITE BEADS		1		
	LF409	NQR0682-001X	CHOKE COIL		1		
	LF410	NQR0682-001X	CHOKE COIL		1		
	X401	NAX1121-001X	CRYSTAL		1		
	Sub board <04>						
	D2441	SML-D12V8W-X	LED		1		
	D2442	SML-D12V8W-X	LED		1		
	D2443	SML-D12V8W-X	LED		1		
	R2442	NRSA63J-681X	MG RESISTOR	680Ω 1/16W J	1		
	R2443	NRSA63J-152X	MG RESISTOR	1.5kΩ 1/16W J	1		
	CN741	QGB1004J2-28X	CONNECTOR	B-B (1-28)	1		
	CN742	QGZ1201L1-25	CONNECTOR	(1-25)	1		
	S2441	NSW0316-001X	TACT SWITCH		1		
	Mecha control board (FLM-HC2-1D) <05>						
	R1	NRSA63J-131X	MG RESISTOR	130Ω 1/16W J	1	A,B,C,D,E,F,G	
	CN101	QGF1049F1-26X	CONNECTOR	FFC/FPC (1-26)	1	A,B,C,D,E,F,G	
	CN102	QGF0522F3-15W	CONNECTOR	FFC/FPC (1-15)	1	A,B,C,D,E,F,G	
	SW1	NSW0291-001X	DETECT SWITCH		1	A,B,C,D,E,F,G	
	SW2	NSW0291-001X	DETECT SWITCH		1	A,B,C,D,E,F,G	
	SW3	NSW0291-001X	DETECT SWITCH		1	A,B,C,D,E,F,G	
	SW4	NSW0291-001X	DETECT SWITCH		1	A,B,C,D,E,F,G	

Packing materials and accessories

Block No.M3MM

No additional / supplemental order of WARRANTY CARDS are available.



The parts without symbol number are not service.

MODEL	MARK	MODEL	MARK	MODEL	MARK	MODEL	MARK
KD-A925BTJ	A	KD-R921BTE	B	KD-R921BTEU	C	KD-R921BTEY	D
KD-R926BTU	E	KD-R926BTUH	F	KD-R926BTUT	G		

Safe	Symbol No.	Parts No.	Parts Name	Description	QTY	Local
------	------------	-----------	------------	-------------	-----	-------

Packing and accessories <M3MM>

A1	GET0718-001A	INST BOOK	ENG SPA FRE	1	A
A1	GET0720-001A	INST BOOK	GER	1	B,D
A1	GET0720-005A	INST BOOK	SPA RUS TUR PER	1	C
A1	GET0719-001A	INST BOOK	ENG THA	1	E,F
A1	GET0719-004A	INST BOOK	ENG CHI(TAIWAN)	1	G
A2	GET0720-002A	INST BOOK	DUT SPA ITA POR	1	B
A2	GET0720-006A	INST BOOK	POL RUS UKR GRE	1	D
A2	GET0719-002A	INST BOOK	KOR CHI(TAIWAN) ARA PER	1	E
A3	GET0720-003A	INST BOOK	ENG FRE	1	B,C
A3	GET0720-007A	INST BOOK	CZE HUN	1	D
A3	GET0719-003A	INST BOOK	RUS	1	E
A4	GET0718-002A	INSTALL MANUAL	ENG SPA FRE	1	A
A4	GET0720-008A	INSTALL MANUAL	GER	1	B,D
A4	GET0720-012A	INSTALL MANUAL	SPA RUS TUR PER	1	C
A4	GET0719-005A	INSTALL MANUAL	ENG THA	1	E,F
A4	GET0719-008A	INSTALL MANUAL	ENG CHI(TAIWAN)	1	G
A5	GET0720-009A	INSTALL MANUAL	DUT SPA ITA POR	1	B
A5	GET0720-013A	INSTALL MANUAL	POL RUS UKR GRE	1	D
A5	GET0719-006A	INSTALL MANUAL	KOR CHI(TAIWAN) ARA PER	1	E
A6	GET0720-010A	INSTALL MANUAL	ENG FRE	1	B,C
A6	GET0720-014A	INSTALL MANUAL	CZE HUN	1	D
A6	GET0719-007A	INSTALL MANUAL	RUS	1	E
A7	-----	WARRANTY CARD	BT-52008-1	1	A
A7	-----	WARRANTY CARD	BT-54043-1	1	B,D
A8	-----	WARRANTY CARD	BT-51029-3	1	A
A9	BT-51044-1	REGIS. CARD		1	A
A10	GET0738-001A	RUSSIAN SHEET		1	D
A11	GET0617-001F	USB/BT ADP SHEET		1	A,B,C,D,E,G
A11	GET0617-001E	USB/BT ADP SHEET		1	F
A12	RM-RK52M	REMOCON UNIT		1	A,B,C,D
A12	RM-RK52C	REMOCON UNIT		1	E,F,G
A13	QAM1331-001	CAR CABLE		1	A
A13	QAM1343-001	CAR CABLE		1	B,C,D
A13	QAM1332-001	CAR CABLE		1	E,F,G
A14	QAN0096-001	MICROPHONE		1	
A15	GE32320-001A	HARD CASE ASSY		1	
A16	QAU0526-001	RF MODULE		1	
A17	GET0725-001A	BT DONGLE SHEET		1	A
A18	GE20267-001A	MOUNTING SLEEVE		1	
A19	GE20284-001A	TRIM PLATE		1	
A20	GE40481-001A	HOOK		2	
A21	GET0713-001A	CAUTION SHEET		1	B,C,D,E,F,G
P1	GE34396-002A	CARTON		1	A
P1	GE34402-002A	CARTON		1	B,C,D
P1	GE34399-001A	CARTON		1	E,F,G
P2	GE10306-001A	CUSHION		1	
P3	QPC03004315PL	POLY BAG	30cm x 43cm	1	
P4	FSPG4002-001	POLY BAG		2	
P5	QPA01003003	POLY BAG	10cm x 30cm	1	
P6	GE40467-002A	NON WOVEN SHEET		1	
P7	QPC01002515	POLY BAG	10cm x 25cm	1	
P8	QPA00801205	POLY BAG	8cm x 12cm	1	
P9	GE40556-001A	POLY BAG		1	A