

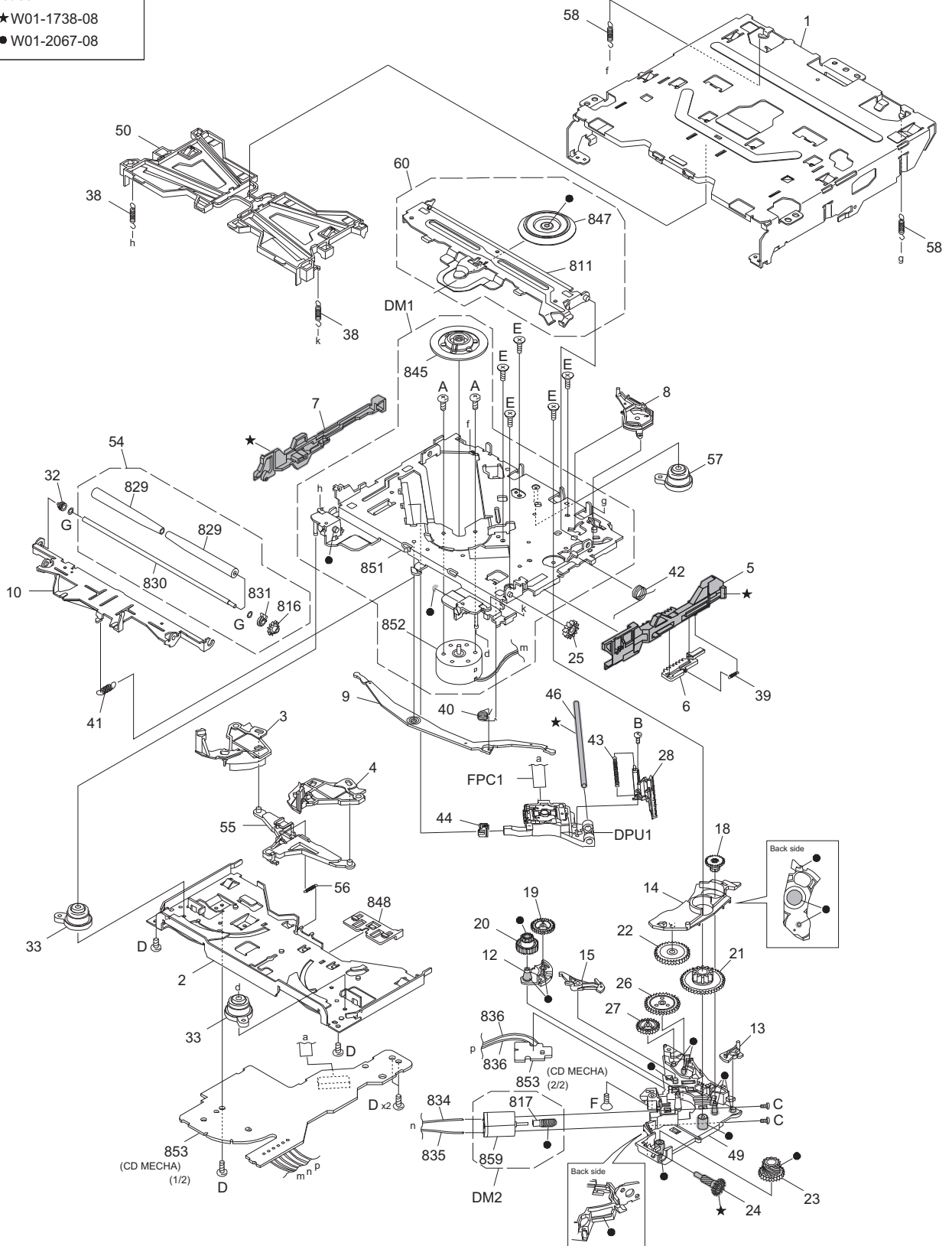
MODEL	MARK	MODEL	MARK	MODEL	MARK	MODEL	MARK
KDC-170Y	E1	KDC-200UV	M1	KDC-265U	K0	KDC-MP3065U	R0

Safe	Symbol No.	Parts No.	Parts Name	Description	QTY	Local
EXPLODED VIEW (UNIT) <M1MM>						
△	DC1	QAM1623-002	DC CORD		1	M1,K0
△	DC2	QAM1333-001	DC CORD		1	E1
△	DC2	QAM1516-001	DC CORD		1	R0
	DME1	XJJ-0370-00	CD MECHANISM		1	
△	F901	FZB10BT-100	BLADE FUSE		1	
	FC1	WJT0335-001A-E	E-CARD WIRE		1	
	LCD1	B3H-0033-00	LCD		1	E1,M1,K0
	PA1	A6D-0053-01	PANEL		1	E1,M1
	PA1	A6D-0053-00	PANEL		1	K0
	PA1	A6D-0053-07	PANEL		1	R0
	RC1	QAL1303-004	REMOCON		1	E1,M1,K0,R0
	A	QYSDST2604ZA	TAP SCREW	M2.6 x 4mm	3	
	B	GE40377-002A	SPECIAL SCREW		2	
	C	QYSDST2606ZA	TAP SCREW	M2.6 x 6mm	2	
	D	QYSDST2610ZA	TAP SCREW	M2.6 x 10mm	4	
	E	QYSDSF2008ZA	TAP SCREW	M2 x 8mm	4	
	F	GE40377-005A	SPECIAL SCREW		2	
	G	QYSPSG3008ZA	TAP SCREW	M3 x 8mm	1	
	H	QYSDSF2608ZA	TAP SCREW	M2.6 x 8mm	1	
	213	A2C-0021-01	SUB PANEL		1	E1,M1,K0
	213	A2C-0021-03	SUB PANEL		1	R0
	214	F1K-0035-00	BLIND PLATE		1	
	215	D1A-0023-00	LEVER		1	E1,M1,K0
	215	D1A-0023-01	LEVER		1	R0
	216	G0A-0027-00	EXTEN.SPRING		1	
	217	D1A-0022-00	LEVER		1	E1,M1,K0
	217	D1A-0022-01	LEVER		1	R0
	251	B1A-0032-0J	FRONT GLASS		1	E1
	251	B1A-0032-0S	FRONT GLASS		1	M1
	251	B1A-0032-06	FRONT GLASS		1	K0
	251	B1A-0032-07	FRONT GLASS		1	R0
	252	F0G-0096-00	COVER		1	E1,M1,K0
	252	F0G-0096-01	COVER		1	R0
	253	K2F-0028-00	PUSH KNOB		1	E1,M1,K0
	253	K2F-0028-01	PUSH KNOB		1	R0
	254	K2F-0030-00	PUSH KNOB		1	E1,M1,K0
	254	K2F-0030-01	PUSH KNOB		1	R0
	255	K2F-0029-00	PUSH KNOB		1	E1,M1,K0
	255	K2F-0029-01	PUSH KNOB		1	R0
	256	B1B-0041-01	LENS		1	E1,M1
	256	B1B-0041-00	LENS		1	K0
	256	B1B-0041-06	LENS		1	R0
	257	B1K-0035-00	LIGHTING BOARD		1	E1,M1,K0
	257	B1K-0035-01	LIGHTING BOARD		1	R0
	258	E2K-0024-00	CONDUCT RUBBER		1	
	260	K2K-0162-00	KNOB		1	E1,M1,K0
	260	K2K-0162-01	KNOB		1	R0
	261	GE30999-013A	COMP.SPRING		1	
	262	A4G-0023-00	REAR COVER		1	E1,M1,K0
	262	A4G-0023-01	REAR COVER		1	R0
	263	K2K-0101-00	KNOB		1	E1,K0
	263	K2K-0165-00	KNOB BASE		1	M1
	263	K2K-0165-01	KNOB BASE		1	R0
	264	GE40127-005A	KNOB SPRING		1	
	268	E2K-0029-00	CONDUCT RUBBER		1	
	351	GE40531-001A	SCREW SET		1	M1,K0
	353	QYSPSF2008ZA	TAP SCREW	M2 x 8mm	1	M1,K0
	355	GE40685-001A	HOOK		2	
	356	GE20362-002A	MOUNTING SLEEVE		1	
	357	B0H-0013-00	ESCUTCHEON		1	E1,M1
	357	B0H-0014-00	ESCUTCHEON		1	K0
	357	B0H-0013-02	ESCUTCHEON		1	R0
	358	GE40521-001A	CARRYING CASE		1	M1
	501	B5A-0871-01	INST.MANUAL	ENG GER UKR	1	E1
	501	B5A-0872-00	INST.MANUAL	ENG ARA	1	M1
	501	B5A-0869-00	INST.MANUAL	ENG FRE SPA	1	K0
	501	B5A-0870-00	INST.MANUAL	POR	1	R0
	502	B5A-0871-03	INST.MANUAL	RUS	1	E1
	701	-----	MAIN PWB ASSY	NO SERVICE PART	1	E1
	701	-----	MAIN PWB ASSY	NO SERVICE PART	1	M1
	701	-----	MAIN PWB ASSY	NO SERVICE PART	1	K0
	701	-----	MAIN PWB ASSY	NO SERVICE PART	1	R0
	702	-----	SWITCH PWB ASSY	NO SERVICE PART	1	E1,M1,K0
	702	-----	SWITCH PWB ASSY	NO SERVICE PART	1	R0
	711	-----	TOP COVER	NO SERVICE PART	1	E1
	711	-----	TOP COVER	NO SERVICE PART	1	M1,K0
	711	-----	TOP COVER	NO SERVICE PART	1	R0
	712	-----	BOTTOM PLATE	NO SERVICE PART	1	E1,M1,K0
	712	-----	BOTTOM PLATE	NO SERVICE PART	1	R0
	718	-----	HEAT SINK	NO SERVICE PART	1	
	719	-----	REG HEAT SINK	NO SERVICE PART	1	
	759	-----	LIGHTING BOARD	NO SERVICE PART	1	E1,M1,K0
	759	-----	LIGHTING BOARD	NO SERVICE PART	1	R0
	765	-----	LCD CASE	NO SERVICE PART	1	
	766	-----	OPTI.DIFFUSER	NO SERVICE PART	1	
	767	-----	LIGHTING BOARD	NO SERVICE PART	1	
	769	-----	REF.SHEET	NO SERVICE PART	1	

EXPLODED VIEW (CD MECHANISM: XJJ-0370-00)

Block No.MBMM

Grease
 ★W01-1738-08
 ●W01-2067-08



Parts with the exploded numbers larger than 800 are not supplied.

MODEL	MARK	MODEL	MARK	MODEL	MARK	MODEL	MARK
KDC-170Y	E1	KDC-200UV	M1	KDC-265U	K0	KDC-MP3065U	R0

Safe	Symbol No.	Parts No.	Parts Name	Description	QTY	Local
EXPLODED VIEW (CD MECHANISM: XJJ-0370-00) <MBMM>						
	DM1	CM-FC2-MD	MD CHASSIS ASSY		1	
	DM2	CM-FC2-M	LOADING MOTOR ASSY		1	
	DPU1	T2F-0002-00	CD OPT PICKUP		1	
	FPC1	QAL1465-001	FPC		1	
	A	LV45568-001A	MINI SCREW		2	
	B	QYSPSGT1745ZA	TAP SCREW	M1.7 x 4.5mm	1	
	C	QYSPSPT2025MA	SCREW	M2 x 2.5mm	2	
	D	VKZ4539-054	MINI SCREW		5	
	E	LV45818-001A	G.HOLDER SCREW		5	
	F	LV45815-001A	M. SHAFT SCREW		1	
	G	LV45816-001A	ROLLER WASHER		2	
	1	LV11877-003A	OUTER CHASSIS		1	
	2	LV11878-004A	LOWER CHASSIS		1	
	3	LV3A174-002A	DISC ARM L		1	
	4	LV3A175-001A	DISC ARM R		1	
	5	LV23057-001A	SLIDER R		1	
	6	LV3A178-001A	TRIGGER SLIDER		1	
	7	LV23058-001A	SLIDER L		1	
	8	LV3A179-002A	TRIGGER ARM		1	
	9	LV3A173-001A	JOINT LEVER		1	
	10	LV23055-003A	ROLLER LEVER		1	
	12	LV3A181-002A	TRANSFER ARM		1	
	13	LV45797-002A	SL LOCK CAM		1	
	14	LV3A182-003A	SL LOCK ARM		1	
	15	LV3A183-001A	PICK LOCK ARM		1	
	18	LV3A187-002A	HELICAL GEAR 1		1	
	19	LV3A188-001A	TRANSFER GEAR		1	
	20	LV3A189-001A	LOAD GEAR H		1	
	21	LV3A190-001A	DRIVE GEAR		1	
	22	LV3A191-001A	JOINT GEAR		1	
	23	LV3A192-001A	WORM GEAR 2		1	
	24	LV3A193-001A	HELICAL GEAR 2		1	
	25	LV3A194-001A	LOAD GEAR V		1	
	26	LV3A195-001A	PICK GEAR 1		1	
	27	LV3A196-001A	PICK GEAR 2		1	
	28	LV3A197-001A	RACK GEAR		1	
	32	LV45796-001A	R.RETAINER L		1	
	33	D3K-0002-00	DAMPER		2	
	38	LV45809-001A	FLOAT SPRING(F)		2	
	39	LV45810-001A	TRIGGER SPRING		1	
	40	LV45811-001A	LOAD SPRING		1	
	41	LV45812-001A	ROLLER SPRING		1	
	42	LV45813-002A	CLAMP SPRING		1	
	43	LV45814-001A	PICK SPRING		1	
	44	LV36813-201A	SUB GUIDE CAP		1	
	46	LV44555-001A	MAIN SHAFT		1	
	49	LV11881-002A	GEAR HOLDER		1	
	50	LV11880-003A	DISC GUIDE		1	
	54	CM-FC2-R	ROLLER ASSY		1	
	55	D10-7176-03	ARM		1	
	56	G01-4809-04	EXTEN.SPRING		1	
	57	D3K-0003-00	DAMPER		1	
	58	LV45835-001A	FLOAT SPRING(R)		2	
	60	LV3A271-001A	CL BASE ASSY		1	
	811	-----	CLAMP ARM	NO SERVICE PART	1	
	816	-----	ROLLER GEAR	NO SERVICE PART	1	
	817	-----	WORM GEAR 1	NO SERVICE PART	1	
	829	-----	ROLLER	NO SERVICE PART	2	
	830	-----	ROLLER SHAFT	NO SERVICE PART	1	
	831	-----	R.RETAINER R	NO SERVICE PART	1	
	834	-----	SIN TWIST WIRE	NO SERVICE PART	1	
	835	-----	SIN TWIST WIRE	NO SERVICE PART	1	
	836	-----	SIN TWIST WIRE	NO SERVICE PART	2	
	845	-----	HC TURN TABLE	NO SERVICE PART	1	
	847	-----	CLAMPER	NO SERVICE PART	1	
	848	-----	WIRE HOLDER	NO SERVICE PART	1	
	851	-----	MD CHASSIS ASSY	NO SERVICE PART	1	
	852	-----	SPINDLE MOTOR	NO SERVICE PART	1	
	853	-----	CD MECHA PWB ASSY	NO SERVICE PART	1	
	859	-----	MOTOR	NO SERVICE PART	1	

MODEL	MARK	MODEL	MARK	MODEL	MARK	MODEL	MARK
KDC-170Y	E1	KDC-200UV	M1	KDC-265U	K0	KDC-MP3065U	R0

Safe	Symbol No.	Parts No.	Parts Name	Description	QTY	Local
MAIN PWB ASSY (XJ1-095x-xx) <XJ1>						
	IC161	TDA7720B-X	IC		1	E1
	IC161	TDA7718C	ANALOG IC		1	M1,K0
△	IC301	JCV8034	IC		1	E1,M1,K0
	IC411	MFI337S395901	MCU IC		1	M1,K0
△	IC540	MN6627553APA	IC		1	E1,M1,K0
△	IC601	TEF6657HN-X	IC		1	E1,M1,K0
△	IC701	R5S726A0D216FP	IC		1	E1,M1,K0
△	IC821	W3F-0111-00	ROM IC		1	E1,M1,K0
	IC831	BU4228F	ANALOG IC		1	E1,M1,K0
	IC841	BR24T02FJ-W-X	IC		1	E1,M1,K0
	IC851	BU1CTD3WG	MOS IC		1	E1,M1,K0
	IC861	MP9942AGJ	ANALOG IC		1	E1,M1,K0
	IC891	BD2242G-G	MOS IC		1	E1,M1,K0
△	IC901	LV5685PV-H	ANALOG IC		1	E1,M1,K0
	IC941	BU33TD3WG	MOS IC		1	E1,M1,K0
	Q250	LTC043TEB-X	DIGI TRANSISTOR		1	E1,M1,K0
	Q260	LTC043TEB-X	DIGI TRANSISTOR		1	E1,M1,K0
	Q270	LTA024EEB-X	DIGI TRANSISTOR		1	E1,M1,K0
	Q271	LSAR523UBFS8	TRANSISTOR		1	E1,M1,K0
	Q272	LTC024EEB-X	DIGI TRANSISTOR		1	E1,M1,K0
	Q273	LTA024EEB-X	DIGI TRANSISTOR		1	E1,M1,K0
	Q320	LTC043TEB-X	DIGI TRANSISTOR		1	E1,M1,K0
	Q330	LTC043TEB-X	DIGI TRANSISTOR		1	E1,M1,K0
	Q540	2SA2188/E-X	TRANSISTOR		1	E1,M1,K0
	Q701	LTA014YEB-X	DIGI TRANSISTOR		1	E1,M1,K0
	D100	RSB6.8SM-X	BP Z DIODE		1	E1,M1,K0
	D101	RSB6.8SM-X	BP Z DIODE		1	E1,M1,K0
	D270	BAW56-TP-X	SI DIODE		1	E1,M1,K0
	D271	BAW56-TP-X	SI DIODE		1	E1,M1,K0
	D273	DA2J101	DIODE		1	E1,M1,K0
	D370	BAW56-TP-X	SI DIODE		1	E1,M1,K0
	D390	MBRX130	SCHOTTKY DIODE		1	E1,M1,K0
	D391	MBR0530-X	SB DIODE		1	E1,M1,K0
	D400	RB521SM-30-X	SB DIODE		1	E1,M1,K0
	D401	DZ2J051M	ZENER DIODE		1	E1,M1,K0
	D861	DB22306	SCHOTTKY DIODE		1	E1,M1,K0
	D902	SK34A-L-X	SB DIODE		1	E1,M1,K0
	D903	SK34A-L-X	SB DIODE		1	E1,M1,K0
△	D990	1N5401-BPC04	SI DIODE		1	E1,M1,K0
	C100	CK73GXR1H104K	C CAPACITOR	0.1uF 50V K	1	E1,M1,K0
	C101	CK73GBB1H472K	C CAPACITOR	4700pF 50V K	1	E1,M1,K0
	C102	CK73GBB1H472K	C CAPACITOR	4700pF 50V K	1	E1,M1,K0
	C103	CK73GXR1C105K	C CAPACITOR	1uF 16V K	1	E1,M1,K0
	C104	CK73GXR1C105K	C CAPACITOR	1uF 16V K	1	E1,M1,K0
	C105	CK73GXR1C105K	C CAPACITOR	1uF 16V K	1	E1,M1,K0
	C161	CK73GXR1A105K	C CAPACITOR	1uF 10V K	1	E1,M1,K0
	C162	CK73GXR1A105K	C CAPACITOR	1uF 10V K	1	E1,M1,K0
	C163	CD04AV1V4R7M	E CAPACITOR	4.7uF 35V M	1	E1,M1,K0
	C164	CD04AV1V4R7M	E CAPACITOR	4.7uF 35V M	1	E1,M1,K0
	C165	CD04AV1C100M	E CAPACITOR	10uF 16V M	1	E1,M1,K0
	C167	CK73GXR1A105K	C CAPACITOR	1uF 10V K	1	E1,M1,K0
	C168	CK73GXR1A105K	C CAPACITOR	1uF 10V K	1	M1,K0
	C169	CK73GXR1A105K	C CAPACITOR	1uF 10V K	1	M1,K0
	C170	CK73GXR1A105K	C CAPACITOR	1uF 10V K	1	E1
	C171	CK73GXR1A105K	C CAPACITOR	1uF 10V K	1	E1,M1,K0
	C177	CK73GXR1A105K	C CAPACITOR	1uF 10V K	1	E1,M1,K0
	C251	CK73EBB1C475K	C CAPACITOR	4.7uF 16V K	1	E1,M1,K0
	C261	CK73EBB1C475K	C CAPACITOR	4.7uF 16V K	1	E1,M1,K0
	C303	CC73GCH1H820J	C CAPACITOR	82pF 50V J	1	E1,M1,K0
	C304	CD04AV1C470M	E CAPACITOR	47uF 16V M	1	E1,M1,K0
	C312	CK730AV1C105K	C CAPACITOR	1uF 16V K	1	E1,M1,K0
	C316	CK730AV1C224K	C CAPACITOR	0.22uF 16V K	1	E1,M1,K0
	C317	CK730AV1C224K	C CAPACITOR	0.22uF 16V K	1	E1,M1,K0
	C318	CK730AV1C224K	C CAPACITOR	0.22uF 16V K	1	E1,M1,K0
	C319	CK730AV1C224K	C CAPACITOR	0.22uF 16V K	1	E1,M1,K0
	C321	CK73EBB1C475K	C CAPACITOR	4.7uF 16V K	1	E1,M1,K0
	C331	CK73EBB1C475K	C CAPACITOR	4.7uF 16V K	1	E1,M1,K0
	C368	CK73GXR1A105K	C CAPACITOR	1uF 10V K	1	E1,M1,K0
	C369	CK73FBB0J475K	C CAPACITOR	4.7uF 6.3V K	1	E1,M1,K0
	C370	CK73GXR1H104K	C CAPACITOR	0.1uF 50V K	1	E1,M1,K0
	C390	CK73FBB1H224K	C CAPACITOR	0.22uF 50V K	1	E1,M1,K0
	C391	CK73FBB1H224K	C CAPACITOR	0.22uF 50V K	1	E1,M1,K0
	C410	CK73GXR1H104K	C CAPACITOR	0.1uF 50V K	1	M1,K0
	C510	CK73GBB1H471K	C CAPACITOR	470pF 50V K	1	E1,M1,K0
	C540	CK73GXR1H104K	C CAPACITOR	0.1uF 50V K	1	E1,M1,K0
	C541	CK73GXR1H104K	C CAPACITOR	0.1uF 50V K	1	E1,M1,K0
	C544	CK73GBB1H103K	C CAPACITOR	0.01uF 50V K	1	E1,M1,K0
	C545	CK73GBB1H103K	C CAPACITOR	0.01uF 50V K	1	E1,M1,K0
	C546	CK73GBB1H682K	C CAPACITOR	6800pF 50V K	1	E1,M1,K0
	C547	CK73GBB1H682K	C CAPACITOR	6800pF 50V K	1	E1,M1,K0
	C548	CK73FXR1C475K	C CAPACITOR	4.7uF 16V K	1	E1,M1,K0
	C549	CK73GXR1H104K	C CAPACITOR	0.1uF 50V K	1	E1,M1,K0
	C550	CK73GBB1C154K	C CAPACITOR	0.15uF 16V K	1	E1,M1,K0
	C552	CK73GBB1H682K	C CAPACITOR	6800pF 50V K	1	E1,M1,K0
	C553	CK73GXR1H104K	C CAPACITOR	0.1uF 50V K	1	E1,M1,K0
	C555	CK73GBB1H223K	C CAPACITOR	0.022uF 50V K	1	E1,M1,K0
	C556	CK73GBB1H332K	C CAPACITOR	3300pF 50V K	1	E1,M1,K0
	C557	CK73GBB1A334K	C CAPACITOR	0.33uF 10V K	1	E1,M1,K0
	C558	CK73FXR1A475K	C CAPACITOR	4.7uF 10V K	1	E1,M1,K0
	C559	CK73GXR1H104K	C CAPACITOR	0.1uF 50V K	1	E1,M1,K0
	C560	CK73GBB1H681K	C CAPACITOR	680pF 50V K	1	E1,M1,K0

MODEL	MARK	MODEL	MARK	MODEL	MARK	MODEL	MARK
KDC-170Y	E1	KDC-200UV	M1	KDC-265U	K0	KDC-MP3065U	R0

Safe	Symbol No.	Parts No.	Parts Name	Description	QTY	Local
	C561	CK73EXR1A106K	C CAPACITOR	10uF 10V K	1	E1,M1,K0
	C562	CK73GBB1H153K	C CAPACITOR	0.015uF 50V K	1	E1,M1,K0
	C563	CK73GXR1H104K	C CAPACITOR	0.1uF 50V K	1	E1,M1,K0
	C564	CK73GBB1H102K	C CAPACITOR	1000pF 50V K	1	E1,M1,K0
	C565	CK73GBB1E823K	C CAPACITOR	0.082uF 25V K	1	E1,M1,K0
	C567	CK73GBB1H102K	C CAPACITOR	1000pF 50V K	1	E1,M1,K0
	C568	CK73GBB1A334K	C CAPACITOR	0.33uF 10V K	1	E1,M1,K0
	C570	CK73GXR1H104K	C CAPACITOR	0.1uF 50V K	1	E1,M1,K0
	C571	CK73GXR1H104K	C CAPACITOR	0.1uF 50V K	1	E1,M1,K0
	C572	CK73FXR0J106K	C CAPACITOR	10uF 6.3V K	1	E1,M1,K0
	C573	CK73GXR1H104K	C CAPACITOR	0.1uF 50V K	1	E1,M1,K0
	C576	CK73GXR1H104K	C CAPACITOR	0.1uF 50V K	1	E1,M1,K0
	C577	CC73GCH1H100D	C CAPACITOR	10pF 50V D	1	E1,M1,K0
	C578	CC73GCH1H100D	C CAPACITOR	10pF 50V D	1	E1,M1,K0
	C579	CK73GXR1H104K	C CAPACITOR	0.1uF 50V K	1	E1,M1,K0
	C583	CK73GBB1H821K	C CAPACITOR	820pF 50V K	1	E1,M1,K0
	C584	CK73GBB1H821K	C CAPACITOR	820pF 50V K	1	E1,M1,K0
	C588	CK73GBB1H681K	C CAPACITOR	680pF 50V K	1	E1,M1,K0
	C589	CK73GBB1H681K	C CAPACITOR	680pF 50V K	1	E1,M1,K0
	C601	CK73FXR0J106K	C CAPACITOR	10uF 6.3V K	1	E1,M1,K0
	C602	CK73FXR0J106K	C CAPACITOR	10uF 6.3V K	1	E1,M1,K0
	C603	CK73GXR1H104K	C CAPACITOR	0.1uF 50V K	1	E1,M1,K0
	C604	CK73GBB1H152K	C CAPACITOR	1500pF 50V K	1	E1,M1,K0
	C605	CK73GBB1H102K	C CAPACITOR	1000pF 50V K	1	E1,M1,K0
	C606	CC73GCH1H090D	C CAPACITOR	9pF 50V D	1	E1,M1,K0
△	C607	CC73GCH1H010C	C CAPACITOR	1pF 50V C	1	E1,M1,K0
	C608	CK73GBB1H102K	C CAPACITOR	1000pF 50V K	1	E1,M1,K0
	C609	CK73GXR1H104K	C CAPACITOR	0.1uF 50V K	1	E1,M1,K0
	C610	CC73GCH1H120J	C CAPACITOR	12pF 50V J	1	E1,M1,K0
△	C611	CC73GCH1H010C	C CAPACITOR	1pF 50V C	1	E1,M1,K0
	C612	CK73GBB1H103K	C CAPACITOR	0.01uF 50V K	1	E1,M1,K0
	C614	CC73GCH1H220J	C CAPACITOR	22pF 50V J	1	E1,M1,K0
	C615	CC73GCH1H330J	C CAPACITOR	33pF 50V J	1	E1,M1,K0
	C616	CK73GBB1H102K	C CAPACITOR	1000pF 50V K	1	E1,M1,K0
	C617	CK73GBB1C224K	C CAPACITOR	0.22uF 16V K	1	E1,M1,K0
	C618	CK73GXR1H104K	C CAPACITOR	0.1uF 50V K	1	E1,M1,K0
	C619	CK73GXR1H104K	C CAPACITOR	0.1uF 50V K	1	E1,M1,K0
	C624	CK73GXR1H104K	C CAPACITOR	0.1uF 50V K	1	E1,M1,K0
	C700	CK73GXR1H104K	C CAPACITOR	0.1uF 50V K	1	E1,M1,K0
	C701	CK73GXR1H104K	C CAPACITOR	0.1uF 50V K	1	E1,M1,K0
	C702	CK73GXR1H104K	C CAPACITOR	0.1uF 50V K	1	E1,M1,K0
	C703	CK73GXR1H104K	C CAPACITOR	0.1uF 50V K	1	E1,M1,K0
	C704	CK73GXR1H104K	C CAPACITOR	0.1uF 50V K	1	E1,M1,K0
	C705	CK73GXR1H104K	C CAPACITOR	0.1uF 50V K	1	E1,M1,K0
	C706	CK73GXR1H104K	C CAPACITOR	0.1uF 50V K	1	E1,M1,K0
	C707	CC73GCH1H100D	C CAPACITOR	10pF 50V D	1	E1,M1,K0
	C708	CC73GCH1H100D	C CAPACITOR	10pF 50V D	1	E1,M1,K0
	C709	CK73GXR1H104K	C CAPACITOR	0.1uF 50V K	1	E1,M1,K0
	C710	CK73GXR1H104K	C CAPACITOR	0.1uF 50V K	1	E1,M1,K0
	C711	CK73GBB1H472K	C CAPACITOR	4700pF 50V K	1	E1,M1,K0
	C712	CK73GXR1H104K	C CAPACITOR	0.1uF 50V K	1	E1,M1,K0
	C713	CK73GXR1H104K	C CAPACITOR	0.1uF 50V K	1	E1,M1,K0
	C716	CK73GXR1H104K	C CAPACITOR	0.1uF 50V K	1	E1,M1,K0
	C717	CK73GXR1H104K	C CAPACITOR	0.1uF 50V K	1	E1,M1,K0
	C718	CK73GXR1H104K	C CAPACITOR	0.1uF 50V K	1	E1,M1,K0
	C722	CK73GBB1H472K	C CAPACITOR	4700pF 50V K	1	E1,M1,K0
	C723	CK73GBB1H472K	C CAPACITOR	4700pF 50V K	1	E1,M1,K0
	C724	CK73GBB1H472K	C CAPACITOR	4700pF 50V K	1	E1,M1,K0
	C820	CK73GBB1H472K	C CAPACITOR	4700pF 50V K	1	E1,M1,K0
	C830	CK73GBB1H682K	C CAPACITOR	6800pF 50V K	1	E1,M1,K0
	C831	CK73GXR1H104K	C CAPACITOR	0.1uF 50V K	1	E1,M1,K0
	C832	CK73GXR1H104K	C CAPACITOR	0.1uF 50V K	1	E1,M1,K0
	C840	CK73GBB1C473K	C CAPACITOR	0.047uF 16V K	1	E1,M1,K0
	C850	CK73GBB1C474K	C CAPACITOR	0.47uF 16V K	1	E1,M1,K0
	C851	CK73GBB1C474K	C CAPACITOR	0.47uF 16V K	1	E1,M1,K0
	C852	CD04AS0J101M	E CAPACITOR	100uF 6.3V M	1	E1,M1,K0
	C860	CK73GXR1H104K	C CAPACITOR	0.1uF 50V K	1	E1,M1,K0
	C861	CK73EXR1A106K	C CAPACITOR	10uF 10V K	1	E1,M1,K0
	C862	CK73EXR1A106K	C CAPACITOR	10uF 10V K	1	E1,M1,K0
	C863	CK73GBB1C224K	C CAPACITOR	0.22uF 16V K	1	E1,M1,K0
	C864	CK73GXR1H104K	C CAPACITOR	0.1uF 50V K	1	E1,M1,K0
	C866	CK73EXR1A106K	C CAPACITOR	10uF 10V K	1	E1,M1,K0
	C867	CK73EXR1A106K	C CAPACITOR	10uF 10V K	1	E1,M1,K0
	C868	QEZO850-157Z	E CAPACITOR	150uF	1	E1,M1,K0
	C869	CK73GBB1C224K	C CAPACITOR	0.22uF 16V K	1	E1,M1,K0
	C870	CC73GCH1H150J	C CAPACITOR	15pF 50V J	1	E1,M1,K0
	C891	CK73GXR1H104K	C CAPACITOR	0.1uF 50V K	1	E1,M1,K0
	C892	CK73GXR1H104K	C CAPACITOR	0.1uF 50V K	1	E1,M1,K0
	C893	CK73GXR0J106M	C CAPACITOR	10uF 6.3V M	1	E1,M1,K0
	C903	CD04AS1C220M	E CAPACITOR	22uF 16V M	1	E1,M1,K0
	C904	CK73GXR1A105K	C CAPACITOR	1uF 10V K	1	E1,M1,K0
	C905	CD04AR1C471M	E CAPACITOR	470uF 16V M	1	E1,M1,K0
	C906	CK73GXR1A105K	C CAPACITOR	1uF 10V K	1	E1,M1,K0
	C907	CD04AS0J101M	E CAPACITOR	100uF 6.3V M	1	E1,M1,K0
	C908	CK73GXR1A105K	C CAPACITOR	1uF 10V K	1	E1,M1,K0
	C909	CK73GXR1H104K	C CAPACITOR	0.1uF 50V K	1	E1,M1,K0
	C911	CK73GXR1H104K	C CAPACITOR	0.1uF 50V K	1	E1,M1,K0
	C912	CK73GXR1A105K	C CAPACITOR	1uF 10V K	1	E1,M1,K0
	C914	CK73GXR1A105K	C CAPACITOR	1uF 10V K	1	E1,M1,K0
	C916	CK73GBB1H103K	C CAPACITOR	0.01uF 50V K	1	E1,M1,K0
	C940	CK73FXR0J106K	C CAPACITOR	10uF 6.3V K	1	E1,M1,K0
	C941	CK73GXR1A105K	C CAPACITOR	1uF 10V K	1	E1,M1,K0

MODEL	MARK	MODEL	MARK	MODEL	MARK	MODEL	MARK
KDC-170Y	E1	KDC-200UV	M1	KDC-265U	K0	KDC-MP3065U	R0

Safe	Symbol No.	Parts No.	Parts Name	Description	QTY	Local
	C942	CK73FXR0J106K	C CAPACITOR	10uF 6.3V K	1	E1,M1,K0
	C990	QE20981-228	E CAPACITOR	2200uF	1	E1,M1,K0
	C1000	CK73GBB1H472K	C CAPACITOR	4700pF 50V K	1	E1,M1,K0
	C1010	CK73GBB1H471K	C CAPACITOR	470pF 50V K	1	M1,K0
	C1011	CK73GBB1H471K	C CAPACITOR	470pF 50V K	1	M1,K0
	C1012	CK73GBB1H471K	C CAPACITOR	470pF 50V K	1	M1,K0
	C1013	CK73GBB1H471K	C CAPACITOR	470pF 50V K	1	M1,K0
	C1014	CK73GBB1H471K	C CAPACITOR	470pF 50V K	1	M1,K0
	C1015	CK73GBB1H471K	C CAPACITOR	470pF 50V K	1	M1,K0
	C1016	CK73GBB1H471K	C CAPACITOR	470pF 50V K	1	M1,K0
	C1017	CK73GBB1H471K	C CAPACITOR	470pF 50V K	1	M1,K0
	C1022	CK73GBB1H472K	C CAPACITOR	4700pF 50V K	1	E1,M1,K0
	C1023	CK73GBB1H472K	C CAPACITOR	4700pF 50V K	1	E1,M1,K0
	C1028	CK73GBB1H472K	C CAPACITOR	4700pF 50V K	1	E1,M1,K0
	C1033	CK73GBB1H472K	C CAPACITOR	4700pF 50V K	1	E1,M1,K0
	C1034	CK73GBB1H472K	C CAPACITOR	4700pF 50V K	1	E1,M1,K0
	C1035	CK73GBB1H472K	C CAPACITOR	4700pF 50V K	1	E1,M1,K0
	C1051	CK73GBB1H221K	C CAPACITOR	220pF 50V K	1	E1
	C1054	CK73GBB1H223K	C CAPACITOR	0.022uF 50V K	1	E1
	C1320	CK73GXR1H104K	C CAPACITOR	0.1uF 50V K	1	E1,M1,K0
	C1600	CK73GXR1H104K	C CAPACITOR	0.1uF 50V K	1	E1,M1,K0
	C1601	CK73GXR1H104K	C CAPACITOR	0.1uF 50V K	1	E1,M1,K0
	C1602	CK73GXR1H104K	C CAPACITOR	0.1uF 50V K	1	E1,M1,K0
	C1603	CK73GXR1H104K	C CAPACITOR	0.1uF 50V K	1	E1,M1,K0
	C1604	CK73GXR1H104K	C CAPACITOR	0.1uF 50V K	1	E1,M1,K0
	C1605	CK73GXR1H104K	C CAPACITOR	0.1uF 50V K	1	E1,M1,K0
	C1900	CK73GBB1H103K	C CAPACITOR	0.01uF 50V K	1	E1,M1,K0
	C1901	CK73GBB1H471K	C CAPACITOR	470pF 50V K	1	E1,M1,K0
	R100	RK73GB2A471J	MG RESISTOR	470Ω 1/10W J	1	E1,M1,K0
	R103	RK73GB2A473J	MG RESISTOR	47kΩ 1/10W J	1	E1,M1,K0
	R104	RK73GB2A473J	MG RESISTOR	47kΩ 1/10W J	1	E1,M1,K0
	R164	RK73GB2A000J	MG RESISTOR	0Ω 1/10W J	1	E1
	R167	RK73GB2A000J	MG RESISTOR	0Ω 1/10W J	1	M1,K0
	R168	RK73GB2A101J	MG RESISTOR	100Ω 1/10W J	1	E1,M1,K0
	R169	RK73GB2A101J	MG RESISTOR	100Ω 1/10W J	1	E1,M1,K0
	R170	RK73GB2A000J	MG RESISTOR	0Ω 1/10W J	1	E1,M1,K0
	R171	RK73GB2A103J	MG RESISTOR	10kΩ 1/10W J	1	E1,M1,K0
	R250	RK73GB2A181J	MG RESISTOR	180Ω 1/10W J	1	E1,M1,K0
	R251	RK73GB2A223J	MG RESISTOR	22kΩ 1/10W J	1	E1,M1,K0
	R252	RK73GB2A331J	MG RESISTOR	330Ω 1/10W J	1	E1,M1,K0
	R260	RK73GB2A181J	MG RESISTOR	180Ω 1/10W J	1	E1,M1,K0
	R261	RK73GB2A223J	MG RESISTOR	22kΩ 1/10W J	1	E1,M1,K0
	R262	RK73GB2A331J	MG RESISTOR	330Ω 1/10W J	1	E1,M1,K0
	R270	RK73GB2A104J	MG RESISTOR	100kΩ 1/10W J	1	E1,M1,K0
	R271	RK73GB2A331J	MG RESISTOR	330Ω 1/10W J	1	E1,M1,K0
	R273	RK73GB2A223J	MG RESISTOR	22kΩ 1/10W J	1	E1,M1,K0
	R302	RK73GB2A222J	MG RESISTOR	2.2kΩ 1/10W J	1	E1,M1,K0
	R303	RK73EB2E5R1J	MG RESISTOR	5.1Ω 1/4W J	1	E1,M1,K0
	R304	RK73GB2A473J	MG RESISTOR	47kΩ 1/10W J	1	E1,M1,K0
	R320	RK73GB2A181J	MG RESISTOR	180Ω 1/10W J	1	E1,M1,K0
	R321	RK73GB2A223J	MG RESISTOR	22kΩ 1/10W J	1	E1,M1,K0
	R323	RK73GB2A331J	MG RESISTOR	330Ω 1/10W J	1	E1,M1,K0
	R330	RK73GB2A181J	MG RESISTOR	180Ω 1/10W J	1	E1,M1,K0
	R331	RK73GB2A223J	MG RESISTOR	22kΩ 1/10W J	1	E1,M1,K0
	R333	RK73GB2A331J	MG RESISTOR	330Ω 1/10W J	1	E1,M1,K0
	R370	RK73GB2A683J	MG RESISTOR	68kΩ 1/10W J	1	E1,M1,K0
	R371	RK73GB2A123J	MG RESISTOR	12kΩ 1/10W J	1	E1,M1,K0
	R372	RK73GB2A103J	MG RESISTOR	10kΩ 1/10W J	1	E1,M1,K0
	R381	RK73EB2E000J	MG RESISTOR	0Ω 1/4W J	1	E1
	R390	RK73EB2E472J	MG RESISTOR	4.7kΩ 1/4W J	1	E1,M1,K0
	R400	RK73GB2A102J	MG RESISTOR	1kΩ 1/10W J	1	E1,M1,K0
	R402	RK73GB2A225J	MG RESISTOR	2.2MΩ 1/10W J	1	E1,M1,K0
	R410	RK73GB2A101J	MG RESISTOR	100Ω 1/10W J	1	M1,K0
	R411	RK73GB2A101J	MG RESISTOR	100Ω 1/10W J	1	M1,K0
	R412	RK73GB2A472J	MG RESISTOR	4.7kΩ 1/10W J	1	M1,K0
	R413	RK73GB2A472J	MG RESISTOR	4.7kΩ 1/10W J	1	M1,K0
	R414	RK73GB2A472J	MG RESISTOR	4.7kΩ 1/10W J	1	M1,K0
	R421	RK73GB2A473J	MG RESISTOR	47kΩ 1/10W J	1	E1,M1,K0
	R541	RK73GB2A562J	MG RESISTOR	5.6kΩ 1/10W J	1	E1,M1,K0
	R542	RK73GB2A223J	MG RESISTOR	22kΩ 1/10W J	1	E1,M1,K0
	R543	RK73GB2A562J	MG RESISTOR	5.6kΩ 1/10W J	1	E1,M1,K0
	R544	RK73GB2A183J	MG RESISTOR	18kΩ 1/10W J	1	E1,M1,K0
	R546	RK73GB2A103J	MG RESISTOR	10kΩ 1/10W J	1	E1,M1,K0
	R548	RK73GB2A123J	MG RESISTOR	12kΩ 1/10W J	1	E1,M1,K0
	R550	RK73GB2A222J	MG RESISTOR	2.2kΩ 1/10W J	1	E1,M1,K0
	R551	RK73GB2A222J	MG RESISTOR	2.2kΩ 1/10W J	1	E1,M1,K0
	R554	RK73GB2A225J	MG RESISTOR	2.2MΩ 1/10W J	1	E1,M1,K0
	R556	RK73GB2A472J	MG RESISTOR	4.7kΩ 1/10W J	1	E1,M1,K0
	R557	RK73EB2E4R7J	MG RESISTOR	4.7Ω 1/4W J	1	E1,M1,K0
	R558	RK73GB2A821J	MG RESISTOR	820Ω 1/10W J	1	E1,M1,K0
	R559	RK73GB2A272J	MG RESISTOR	2.7kΩ 1/10W J	1	E1,M1,K0
	R562	RK73EB2E823J	MG RESISTOR	82kΩ 1/4W J	1	E1,M1,K0
	R567	RK73GB2A101J	MG RESISTOR	100Ω 1/10W J	1	E1,M1,K0
	R569	RK73EB2E102J	MG RESISTOR	1kΩ 1/4W J	1	E1,M1,K0
	R570	RK73GB2A101J	MG RESISTOR	100Ω 1/10W J	1	E1,M1,K0
	R571	RK73GB2A103J	MG RESISTOR	10kΩ 1/10W J	1	E1,M1,K0
	R572	RK73GB2A102J	MG RESISTOR	1kΩ 1/10W J	1	E1,M1,K0
	R573	RK73GB2A105J	MG RESISTOR	1MΩ 1/10W J	1	E1,M1,K0
	R579	RK73GB2A222J	MG RESISTOR	2.2kΩ 1/10W J	1	E1,M1,K0
	R580	RK73GB2A222J	MG RESISTOR	2.2kΩ 1/10W J	1	E1,M1,K0
	R587	RK73GB2A220J	MG RESISTOR	22Ω 1/10W J	1	E1,M1,K0
	R589	RK73GB2A821J	MG RESISTOR	820Ω 1/10W J	1	E1,M1,K0
	R590	RK73GB2A821J	MG RESISTOR	820Ω 1/10W J	1	E1,M1,K0

MODEL	MARK	MODEL	MARK	MODEL	MARK	MODEL	MARK
KDC-170Y	E1	KDC-200UV	M1	KDC-265U	K0	KDC-MP3065U	R0

Safe	Symbol No.	Parts No.	Parts Name	Description	QTY	Local
	R600	RK73FB2B102J	MG RESISTOR	1kΩ 1/8W J	1	E1,M1,K0
	R601	RK73GB2A101J	MG RESISTOR	100Ω 1/10W J	1	E1,M1,K0
	R602	RK73GB2A820J	MG RESISTOR	82Ω 1/10W J	1	E1,M1,K0
	R603	RK73GB2A105J	MG RESISTOR	1MΩ 1/10W J	1	E1,M1,K0
	R604	RK73GB2A105J	MG RESISTOR	1MΩ 1/10W J	1	E1,M1,K0
	R605	RK73GB2A4R7J	MG RESISTOR	4.7Ω 1/10W J	1	E1,M1,K0
	R611	RK73GB2A101J	MG RESISTOR	100Ω 1/10W J	1	E1,M1,K0
	R701	RK73GB2A162J	MG RESISTOR	1.6kΩ 1/10W J	1	E1,M1,K0
	R702	RK73GB2A472J	MG RESISTOR	4.7kΩ 1/10W J	1	E1,M1,K0
	R703	RK73GB2A162J	MG RESISTOR	1.6kΩ 1/10W J	1	E1,M1,K0
	R704	RK73GB2A162J	MG RESISTOR	1.6kΩ 1/10W J	1	E1,M1,K0
	R705	RK73GB2A103J	MG RESISTOR	10kΩ 1/10W J	1	E1,M1,K0
	R707	RK73GB2A162J	MG RESISTOR	1.6kΩ 1/10W J	1	E1,M1,K0
	R709	RK73GB2A332J	MG RESISTOR	3.3kΩ 1/10W J	1	E1,M1,K0
	R711	RK73GB2A222J	MG RESISTOR	2.2kΩ 1/10W J	1	E1,M1,K0
	R712	RK73GB2A102J	MG RESISTOR	1kΩ 1/10W J	1	E1,M1,K0
	R713	RK73GB2A222J	MG RESISTOR	2.2kΩ 1/10W J	1	E1,M1,K0
	R714	RK73GB2A102J	MG RESISTOR	1kΩ 1/10W J	1	E1,M1,K0
	R715	RK73GB2A222J	MG RESISTOR	2.2kΩ 1/10W J	1	E1,M1,K0
	R716	RK73GB2A222J	MG RESISTOR	2.2kΩ 1/10W J	1	E1,M1,K0
	R717	RK73GB2A104J	MG RESISTOR	100kΩ 1/10W J	1	E1,M1,K0
	R719	RK73GB2A911J	MG RESISTOR	910Ω 1/10W J	1	E1,M1,K0
	R720	RK73GB2A473J	MG RESISTOR	47kΩ 1/10W J	1	E1,M1,K0
	R721	RK73GB2A473J	MG RESISTOR	47kΩ 1/10W J	1	E1,M1,K0
	R722	RK73GB2A911J	MG RESISTOR	910Ω 1/10W J	1	E1,M1,K0
	R723	RK73GB2A473J	MG RESISTOR	47kΩ 1/10W J	1	E1,M1,K0
	R724	RK73GB2A105J	MG RESISTOR	1MΩ 1/10W J	1	E1,M1,K0
	R725	RK73GB2A332J	MG RESISTOR	3.3kΩ 1/10W J	1	E1,M1,K0
	R726	RK73GB2A220J	MG RESISTOR	22Ω 1/10W J	1	E1,M1,K0
	R727	RK73GB2A153J	MG RESISTOR	15kΩ 1/10W J	1	E1,M1,K0
	R728	RK73GB2A220J	MG RESISTOR	22Ω 1/10W J	1	E1,M1,K0
	R729	RK73GB2A153J	MG RESISTOR	15kΩ 1/10W J	1	E1,M1,K0
	R730	RK73GB2A473J	MG RESISTOR	47kΩ 1/10W J	1	E1,M1,K0
	R731	RK73GB2A473J	MG RESISTOR	47kΩ 1/10W J	1	E1,M1,K0
	R733	RK73GB2A473J	MG RESISTOR	47kΩ 1/10W J	1	E1,M1,K0
	R734	RK73GB2A393J	MG RESISTOR	39kΩ 1/10W J	1	E1
	R734	RK73GB2A333J	MG RESISTOR	33kΩ 1/10W J	1	M1
	R735	RK73GB2A822J	MG RESISTOR	8.2kΩ 1/10W J	1	E1
	R735	RK73GB2A153J	MG RESISTOR	15kΩ 1/10W J	1	M1
	R735	RK73GB2A473J	MG RESISTOR	47kΩ 1/10W J	1	K0
	R743	RK73GB2A473J	MG RESISTOR	47kΩ 1/10W J	1	E1,M1,K0
	R744	RK73GB2A473J	MG RESISTOR	47kΩ 1/10W J	1	E1,M1,K0
	R745	RK73EB2E222J	MG RESISTOR	2.2kΩ 1/4W J	1	E1,M1,K0
	R746	RK73GB2A472J	MG RESISTOR	4.7kΩ 1/10W J	1	E1,M1,K0
	R747	RK73GB2A472J	MG RESISTOR	4.7kΩ 1/10W J	1	E1,M1,K0
	R748	RK73GB2A472J	MG RESISTOR	4.7kΩ 1/10W J	1	E1,M1,K0
	R749	RK73GB2A473J	MG RESISTOR	47kΩ 1/10W J	1	E1,M1,K0
	R750	RK73GB2A101J	MG RESISTOR	100Ω 1/10W J	1	E1,M1,K0
	R751	RK73GB2A473J	MG RESISTOR	47kΩ 1/10W J	1	E1,M1,K0
	R752	RK73GB2A101J	MG RESISTOR	100Ω 1/10W J	1	E1,M1,K0
	R753	RK73EB2E102J	MG RESISTOR	1kΩ 1/4W J	1	E1,M1,K0
	R754	RK73GB2A100J	MG RESISTOR	10Ω 1/10W J	1	E1,M1,K0
	R755	NQR0713-001X	FERRITE BEADS		1	E1,M1,K0
	R756	RK73GB2A473J	MG RESISTOR	47kΩ 1/10W J	1	E1,M1,K0
	R757	RK73GB2A473J	MG RESISTOR	47kΩ 1/10W J	1	E1,M1,K0
	R758	RK73GB2A473J	MG RESISTOR	47kΩ 1/10W J	1	E1,M1,K0
	R760	RK73GB2A473J	MG RESISTOR	47kΩ 1/10W J	1	E1,M1,K0
	R761	RK73GB2A473J	MG RESISTOR	47kΩ 1/10W J	1	E1,M1,K0
	R762	RK73GB2A473J	MG RESISTOR	47kΩ 1/10W J	1	E1,M1,K0
	R763	RK73GB2A472J	MG RESISTOR	4.7kΩ 1/10W J	1	E1,M1,K0
	R764	RK73GB2A472J	MG RESISTOR	4.7kΩ 1/10W J	1	E1,M1,K0
	R820	RK73EB2E473J	MG RESISTOR	47kΩ 1/4W J	1	E1,M1,K0
	R821	RK73GB2A473J	MG RESISTOR	47kΩ 1/10W J	1	E1,M1,K0
	R822	RK73GB2A473J	MG RESISTOR	47kΩ 1/10W J	1	E1,M1,K0
	R830	RK73EB2E101J	MG RESISTOR	100Ω 1/4W J	1	E1,M1,K0
	R840	RK73GB2A101J	MG RESISTOR	100Ω 1/10W J	1	E1,M1,K0
	R841	RK73GB2A101J	MG RESISTOR	100Ω 1/10W J	1	E1,M1,K0
	R850	RK73EB2E000J	MG RESISTOR	0Ω 1/4W J	1	E1,M1,K0
	R861	RK73GB2A200J	MG RESISTOR	20Ω 1/10W J	1	E1,M1,K0
	R864	RK73GB2A393J	MG RESISTOR	39kΩ 1/10W J	1	E1,M1,K0
	R865	RK73GH2A683D	MG RESISTOR	68kΩ 1/10W D	1	E1,M1,K0
	R867	RK73GH2A393D	MG RESISTOR	39kΩ 1/10W D	1	E1,M1,K0
	R868	RK73GH2A183D	MG RESISTOR	18kΩ 1/10W D	1	E1,M1,K0
	R890	RK73GH2A163D	MG RESISTOR	16kΩ 1/10W D	1	E1,M1,K0
	R892	RK73GB2A222J	MG RESISTOR	2.2kΩ 1/10W J	1	E1,M1,K0
	R894	RK73GB2A000J	MG RESISTOR	0Ω 1/10W J	1	E1,M1,K0
	R900	RK73EB2E473J	MG RESISTOR	47kΩ 1/4W J	1	E1,M1,K0
	R901	RK73EB2E473J	MG RESISTOR	47kΩ 1/4W J	1	E1,M1,K0
	R902	RK73EB2E682J	MG RESISTOR	6.8kΩ 1/4W J	1	E1,M1,K0
	R903	RK73EB2E682J	MG RESISTOR	6.8kΩ 1/4W J	1	E1,M1,K0
	R905	RK73GB2A101J	MG RESISTOR	100Ω 1/10W J	1	E1,M1,K0
	R940	RK73EB2E100J	MG RESISTOR	10Ω 1/4W J	1	E1,M1,K0
	R1006	RK73GB2A000J	MG RESISTOR	0Ω 1/10W J	1	E1,M1,K0
	R1017	RK73GB2A000J	MG RESISTOR	0Ω 1/10W J	1	E1,M1,K0
	R1029	RK73EB2E000J	MG RESISTOR	0Ω 1/4W J	1	E1,M1,K0
	R1036	RK73GB2A000J	MG RESISTOR	0Ω 1/10W J	1	E1,M1,K0
	R1043	RK73GB2A000J	MG RESISTOR	0Ω 1/10W J	1	E1,M1,K0
	R1045	CK73GBB1H471K	C CAPACITOR	470pF 50V K	1	E1,M1,K0
	R1047	RK73EB2E000J	MG RESISTOR	0Ω 1/4W J	1	E1,M1,K0
	R1049	RK73EB2E000J	MG RESISTOR	0Ω 1/4W J	1	E1,M1,K0
	R1051	RK73GB2A000J	MG RESISTOR	0Ω 1/10W J	1	E1
	R1064	RK73GB2A100J	MG RESISTOR	10Ω 1/10W J	1	E1,M1,K0

MODEL	MARK	MODEL	MARK	MODEL	MARK	MODEL	MARK
KDC-170Y	E1	KDC-200UV	M1	KDC-265U	K0	KDC-MP3065U	R0

Safe	Symbol No.	Parts No.	Parts Name	Description	QTY	Local
	R1065	RK73GB2A100J	MG RESISTOR	10Ω 1/10W J	1	E1,M1,K0
	R1070	RK73GB2A102J	MG RESISTOR	1kΩ 1/10W J	1	E1,M1,K0
	R1071	RK73GB2A000J	MG RESISTOR	0Ω 1/10W J	1	E1,M1,K0
	R1080	RK73GB2A000J	MG RESISTOR	0Ω 1/10W J	1	E1,M1,K0
	R1091	RK73GB2A000J	MG RESISTOR	0Ω 1/10W J	1	E1,M1,K0
	R1160	RK73EB2E000J	MG RESISTOR	0Ω 1/4W J	1	E1,M1,K0
	R1300	NRZ0084-0R0X	MG RESISTOR	0Ω	1	E1,M1,K0
	R1600	RK73EB2E000J	MG RESISTOR	0Ω 1/4W J	1	E1,M1,K0
	R1715	RK73EB2E000J	MG RESISTOR	0Ω 1/4W J	1	E1,M1,K0
	R1717	RK73EB2E000J	MG RESISTOR	0Ω 1/4W J	1	E1,M1,K0
	R1861	RK73EB2E000J	MG RESISTOR	0Ω 1/4W J	1	E1,M1,K0
	RA580	RK74GB1J471J	NET RESISTOR	470Ω 1/16W J	1	E1,M1,K0
	RA701	RK74GB1J473J	NET RESISTOR	47kΩ 1/16W J	1	E1,M1,K0
	L540	NQR0713-001X	FERRITE BEADS		1	E1,M1,K0
	L574	NQR0713-001X	FERRITE BEADS		1	E1,M1,K0
	L600	LR73Z0AD4R7M	CHIP INDUCTOR	4.7uH	1	E1,M1,K0
	L601	LK73G0BE4R7K	M.CHIP INDUCTOR		1	E1,M1,K0
	L602	LK73G0BER47K	M.CHIP INDUCTOR		1	E1,M1,K0
	L603	NQLM93K-R10X	INDUCTOR	0.1uH K	1	E1,M1,K0
	L604	LK73G0BE1R0K	M.CHIP INDUCTOR		1	E1,M1,K0
	L605	LK73G0BER22K	M.CHIP INDUCTOR		1	E1,M1,K0
	L606	LK73G0BER12K	M.CHIP INDUCTOR		1	E1,M1,K0
	L607	LK73G0BER15K	M.CHIP INDUCTOR		1	E1,M1,K0
	L700	NQR0713-001X	FERRITE BEADS		1	E1,M1,K0
	L701	LB73G0BK-006	CHIP FERRITE		1	E1,M1,K0
	L709	NQR0713-001X	FERRITE BEADS		1	E1,M1,K0
	L710	NQR0713-001X	FERRITE BEADS		1	E1,M1,K0
	L777	NQR0713-001X	FERRITE BEADS		1	E1,M1,K0
	L778	NQR0713-001X	FERRITE BEADS		1	E1,M1,K0
	L820	NQR0713-001X	FERRITE BEADS		1	E1,M1,K0
	L821	NQR0713-001X	FERRITE BEADS		1	E1,M1,K0
	L822	NQR0713-001X	FERRITE BEADS		1	E1,M1,K0
	L823	NQR0713-001X	FERRITE BEADS		1	E1,M1,K0
	L824	NQR0713-001X	FERRITE BEADS		1	E1,M1,K0
	L825	LB73G0CA-002	CHIP FERRITE		1	E1,M1,K0
	L826	LB73G0CK-001	CHIP FERRITE		1	E1,M1,K0
	L827	LB73G0BK-006	CHIP FERRITE		1	E1,M1,K0
	L860	NQLL6EM-100X	INDUCTOR	10uH M	1	E1,M1,K0
	L861	NQLH65M-4R7X	INDUCTOR	4.7uH M	1	E1,M1,K0
	L990	QQR1927-001	CHOKO COIL		1	E1,M1,K0
	CN502	QGF1040F1-24	FFC/FPC CONNE	FFC/FPC (1-24)	1	E1,M1,K0
	CN701	QGZ2006J1-20	DETACHABLE CONN	(1-20)	1	E1,M1,K0
	CN990	QNZ0607-001	CAR CONNECTOR		1	E1,M1,K0
△	F321	F53-0513-08	PATTERN FUSE	4A	1	E1,M1,K0
	J321	QNN0868-001	PIN JACK		1	E1,M1,K0
	J600	QNB0356-001	ANT TERMINAL		1	E1,M1,K0
	S830	QSW0648-001Z	TACT SWITCH		1	E1,M1,K0
	VA600	F0K-0010-00	SURGE ABSORBER		1	E1,M1,K0
	X540	L7J-0093-00	QUARTZ CRYSTAL		1	E1,M1,K0
	X600	QAX0969-001Z	CRYSTAL		1	E1,M1,K0
	X701	L7J-0060-00	QUARTZ CRYSTAL		1	E1,M1,K0
MAIN PWB ASSY (XJ1-1163-20) <XJ1>						
	IC161	TDA7718C	ANALOG IC		1	R0
△	IC301	JCV8034	IC		1	R0
	IC411	MFI337S395901	MCU IC		1	R0
△	IC540	MN6627553APA	IC		1	R0
△	IC601	TEF6657HN-X	IC		1	R0
△	IC701	R5S726A0D216FP	IC		1	R0
△	IC821	W3F-0111-00	ROM IC		1	R0
	IC831	BU4228F	ANALOG IC		1	R0
	IC841	BR24T02FJ-W-X	IC		1	R0
	IC851	BU1CTD3WG	MOS IC		1	R0
	IC861	MP9942AGJ	ANALOG IC		1	R0
	IC891	BD2242G-G	MOS IC		1	R0
△	IC901	LV5685PV-H	ANALOG IC		1	R0
	IC941	BU33TD3WG	MOS IC		1	R0
	Q250	LTC043TEB-X	DIGI TRANSISTOR		1	R0
	Q260	LTC043TEB-X	DIGI TRANSISTOR		1	R0
	Q270	LTA024EEB-X	DIGI TRANSISTOR		1	R0
	Q271	LSAR523UBFS8	TRANSISTOR		1	R0
	Q272	LTC024EEB-X	DIGI TRANSISTOR		1	R0
	Q273	LTA024EEB-X	DIGI TRANSISTOR		1	R0
	Q320	LTC043TEB-X	DIGI TRANSISTOR		1	R0
	Q330	LTC043TEB-X	DIGI TRANSISTOR		1	R0
	Q540	2SA2188/E-X	TRANSISTOR		1	R0
	Q701	LTA014YEB-X	DIGI TRANSISTOR		1	R0
	D100	RSB6.8SM-X	BP Z DIODE		1	R0
	D101	RSB6.8SM-X	BP Z DIODE		1	R0
	D270	BAW56-TP-X	SI DIODE		1	R0
	D271	BAW56-TP-X	SI DIODE		1	R0
	D273	DA2J101	DIODE		1	R0
	D370	BAW56-TP-X	SI DIODE		1	R0
	D390	MBRX130	SCHOTTKY DIODE		1	R0
	D391	MBR0530-X	SB DIODE		1	R0
	D400	RB521SM-30-X	SB DIODE		1	R0
	D401	D22J051M	ZENER DIODE		1	R0
	D861	DB22306	SCHOTTKY DIODE		1	R0
	D902	SK34A-L-X	SB DIODE		1	R0
	D903	SK34A-L-X	SB DIODE		1	R0
△	D990	1N5401-BPC04	SI DIODE		1	R0
	C100	CK73GXR1H104K	C CAPACITOR	0.1uF 50V K	1	R0
	C101	CK73GBB1H472K	C CAPACITOR	4700pF 50V K	1	R0

MODEL	MARK	MODEL	MARK	MODEL	MARK	MODEL	MARK
KDC-170Y	E1	KDC-200UV	M1	KDC-265U	K0	KDC-MP3065U	R0

Safe	Symbol No.	Parts No.	Parts Name	Description	QTY	Local
	C102	CK73GGB1H472K	C CAPACITOR	4700pF 50V K	1	R0
	C103	CK73GXR1C105K	C CAPACITOR	1uF 16V K	1	R0
	C104	CK73GXR1C105K	C CAPACITOR	1uF 16V K	1	R0
	C105	CK73GXR1C105K	C CAPACITOR	1uF 16V K	1	R0
	C161	CK73GXR1A105K	C CAPACITOR	1uF 10V K	1	R0
	C162	CK73GXR1A105K	C CAPACITOR	1uF 10V K	1	R0
	C163	CD04AV1V4R7M	E CAPACITOR	4.7uF 35V M	1	R0
	C164	CD04AV1V4R7M	E CAPACITOR	4.7uF 35V M	1	R0
	C165	CD04AV1C100M	E CAPACITOR	10uF 16V M	1	R0
	C167	CK73GXR1A105K	C CAPACITOR	1uF 10V K	1	R0
	C168	CK73GXR1A105K	C CAPACITOR	1uF 10V K	1	R0
	C169	CK73GXR1A105K	C CAPACITOR	1uF 10V K	1	R0
	C171	CK73GXR1A105K	C CAPACITOR	1uF 10V K	1	R0
	C177	CK73GXR1A105K	C CAPACITOR	1uF 10V K	1	R0
	C251	CK73EBB1C475K	C CAPACITOR	4.7uF 16V K	1	R0
	C261	CK73EBB1C475K	C CAPACITOR	4.7uF 16V K	1	R0
	C303	CC73GCH1H820J	C CAPACITOR	82pF 50V J	1	R0
	C304	CD04AV1C470M	E CAPACITOR	47uF 16V M	1	R0
	C312	CK730AV1C105K	C CAPACITOR	1uF 16V K	1	R0
	C316	CK730AV1C224K	C CAPACITOR	0.22uF 16V K	1	R0
	C317	CK730AV1C224K	C CAPACITOR	0.22uF 16V K	1	R0
	C318	CK730AV1C224K	C CAPACITOR	0.22uF 16V K	1	R0
	C319	CK730AV1C224K	C CAPACITOR	0.22uF 16V K	1	R0
	C321	CK73EBB1C475K	C CAPACITOR	4.7uF 16V K	1	R0
	C331	CK73EBB1C475K	C CAPACITOR	4.7uF 16V K	1	R0
	C368	CK73GXR1A105K	C CAPACITOR	1uF 10V K	1	R0
	C369	CK73FBB0J475K	C CAPACITOR	4.7uF 6.3V K	1	R0
	C370	CK73GXR1H104K	C CAPACITOR	0.1uF 50V K	1	R0
	C390	CK73FBB1H224K	C CAPACITOR	0.22uF 50V K	1	R0
	C391	CK73FBB1H224K	C CAPACITOR	0.22uF 50V K	1	R0
	C410	CK73GXR1H104K	C CAPACITOR	0.1uF 50V K	1	R0
	C510	CK73GGB1H471K	C CAPACITOR	470pF 50V K	1	R0
	C540	CK73GXR1H104K	C CAPACITOR	0.1uF 50V K	1	R0
	C541	CK73GXR1H104K	C CAPACITOR	0.1uF 50V K	1	R0
	C544	CK73GGB1H103K	C CAPACITOR	0.01uF 50V K	1	R0
	C545	CK73GGB1H103K	C CAPACITOR	0.01uF 50V K	1	R0
	C546	CK73GGB1H682K	C CAPACITOR	6800pF 50V K	1	R0
	C547	CK73GGB1H682K	C CAPACITOR	6800pF 50V K	1	R0
	C548	CK73FXR1C475K	C CAPACITOR	4.7uF 16V K	1	R0
	C549	CK73GXR1H104K	C CAPACITOR	0.1uF 50V K	1	R0
	C550	CK73GGB1C154K	C CAPACITOR	0.15uF 16V K	1	R0
	C552	CK73GGB1H682K	C CAPACITOR	6800pF 50V K	1	R0
	C553	CK73GXR1H104K	C CAPACITOR	0.1uF 50V K	1	R0
	C555	CK73GGB1H223K	C CAPACITOR	0.022uF 50V K	1	R0
	C556	CK73GGB1H332K	C CAPACITOR	3300pF 50V K	1	R0
	C557	CK73GGB1A334K	C CAPACITOR	0.33uF 10V K	1	R0
	C558	CK73FXR1A475K	C CAPACITOR	4.7uF 10V K	1	R0
	C559	CK73GXR1H104K	C CAPACITOR	0.1uF 50V K	1	R0
	C560	CK73GGB1H681K	C CAPACITOR	680pF 50V K	1	R0
	C561	CK73EXR1A106K	C CAPACITOR	10uF 10V K	1	R0
	C562	CK73GGB1H153K	C CAPACITOR	0.015uF 50V K	1	R0
	C563	CK73GXR1H104K	C CAPACITOR	0.1uF 50V K	1	R0
	C564	CK73GGB1H102K	C CAPACITOR	1000pF 50V K	1	R0
	C565	CK73GGB1E823K	C CAPACITOR	0.082uF 25V K	1	R0
	C567	CK73GGB1H102K	C CAPACITOR	1000pF 50V K	1	R0
	C568	CK73GGB1A334K	C CAPACITOR	0.33uF 10V K	1	R0
	C570	CK73GXR1H104K	C CAPACITOR	0.1uF 50V K	1	R0
	C571	CK73GXR1H104K	C CAPACITOR	0.1uF 50V K	1	R0
	C572	CK73FXR0J106K	C CAPACITOR	10uF 6.3V K	1	R0
	C573	CK73GXR1H104K	C CAPACITOR	0.1uF 50V K	1	R0
	C576	CK73GXR1H104K	C CAPACITOR	0.1uF 50V K	1	R0
	C577	CC73GCH1H100D	C CAPACITOR	10pF 50V D	1	R0
	C578	CC73GCH1H100D	C CAPACITOR	10pF 50V D	1	R0
	C579	CK73GXR1H104K	C CAPACITOR	0.1uF 50V K	1	R0
	C583	CK73GGB1H821K	C CAPACITOR	820pF 50V K	1	R0
	C584	CK73GGB1H821K	C CAPACITOR	820pF 50V K	1	R0
	C588	CK73GGB1H681K	C CAPACITOR	680pF 50V K	1	R0
	C589	CK73GGB1H681K	C CAPACITOR	680pF 50V K	1	R0
	C601	CK73FXR0J106K	C CAPACITOR	10uF 6.3V K	1	R0
	C602	CK73FXR0J106K	C CAPACITOR	10uF 6.3V K	1	R0
	C603	CK73GXR1H104K	C CAPACITOR	0.1uF 50V K	1	R0
	C604	CK73GGB1H152K	C CAPACITOR	1500pF 50V K	1	R0
	C605	CK73GGB1H102K	C CAPACITOR	1000pF 50V K	1	R0
	C606	CC73GCH1H090D	C CAPACITOR	9pF 50V D	1	R0
△	C607	CC73GCH1H010C	C CAPACITOR	1pF 50V C	1	R0
	C608	CK73GGB1H102K	C CAPACITOR	1000pF 50V K	1	R0
	C609	CK73GXR1H104K	C CAPACITOR	0.1uF 50V K	1	R0
	C610	CC73GCH1H120J	C CAPACITOR	12pF 50V J	1	R0
△	C611	CC73GCH1H010C	C CAPACITOR	1pF 50V C	1	R0
	C612	CK73GGB1H103K	C CAPACITOR	0.01uF 50V K	1	R0
	C614	CC73GCH1H220J	C CAPACITOR	22pF 50V J	1	R0
	C615	CC73GCH1H330J	C CAPACITOR	33pF 50V J	1	R0
	C616	CK73GGB1H102K	C CAPACITOR	1000pF 50V K	1	R0
	C617	CK73GGB1C224K	C CAPACITOR	0.22uF 16V K	1	R0
	C618	CK73GXR1H104K	C CAPACITOR	0.1uF 50V K	1	R0
	C619	CK73GXR1H104K	C CAPACITOR	0.1uF 50V K	1	R0
	C624	CK73GXR1H104K	C CAPACITOR	0.1uF 50V K	1	R0
	C700	CK73GXR1H104K	C CAPACITOR	0.1uF 50V K	1	R0
	C701	CK73GXR1H104K	C CAPACITOR	0.1uF 50V K	1	R0
	C702	CK73GXR1H104K	C CAPACITOR	0.1uF 50V K	1	R0
	C703	CK73GXR1H104K	C CAPACITOR	0.1uF 50V K	1	R0
	C704	CK73GXR1H104K	C CAPACITOR	0.1uF 50V K	1	R0
	C705	CK73GXR1H104K	C CAPACITOR	0.1uF 50V K	1	R0

MODEL	MARK	MODEL	MARK	MODEL	MARK	MODEL	MARK
KDC-170Y	E1	KDC-200UV	M1	KDC-265U	K0	KDC-MP3065U	R0

Safe	Symbol No.	Parts No.	Parts Name	Description	QTY	Local
	C706	CK73GXR1H104K	C CAPACITOR	0.1uF 50V K	1	R0
	C707	CC73GCH1H100D	C CAPACITOR	10pF 50V D	1	R0
	C708	CC73GCH1H100D	C CAPACITOR	10pF 50V D	1	R0
	C709	CK73GXR1H104K	C CAPACITOR	0.1uF 50V K	1	R0
	C710	CK73GXR1H104K	C CAPACITOR	0.1uF 50V K	1	R0
	C711	CK73GBB1H472K	C CAPACITOR	4700pF 50V K	1	R0
	C712	CK73GXR1H104K	C CAPACITOR	0.1uF 50V K	1	R0
	C713	CK73GXR1H104K	C CAPACITOR	0.1uF 50V K	1	R0
	C716	CK73GXR1H104K	C CAPACITOR	0.1uF 50V K	1	R0
	C717	CK73GXR1H104K	C CAPACITOR	0.1uF 50V K	1	R0
	C718	CK73GXR1H104K	C CAPACITOR	0.1uF 50V K	1	R0
	C722	CK73GBB1H472K	C CAPACITOR	4700pF 50V K	1	R0
	C723	CK73GBB1H472K	C CAPACITOR	4700pF 50V K	1	R0
	C724	CK73GBB1H472K	C CAPACITOR	4700pF 50V K	1	R0
	C820	CK73GBB1H472K	C CAPACITOR	4700pF 50V K	1	R0
	C830	CK73GBB1H682K	C CAPACITOR	6800pF 50V K	1	R0
	C831	CK73GXR1H104K	C CAPACITOR	0.1uF 50V K	1	R0
	C832	CK73GXR1H104K	C CAPACITOR	0.1uF 50V K	1	R0
	C840	CK73GBB1C473K	C CAPACITOR	0.047uF 16V K	1	R0
	C850	CK73GBB1C474K	C CAPACITOR	0.47uF 16V K	1	R0
	C851	CK73GBB1C474K	C CAPACITOR	0.47uF 16V K	1	R0
	C852	CD04AS0J101M	E CAPACITOR	100uF 6.3V M	1	R0
	C860	CK73GXR1H104K	C CAPACITOR	0.1uF 50V K	1	R0
	C861	CK73EXR1E106K	C CAPACITOR	10uF 25V K	1	R0
	C862	CK73EXR1E106K	C CAPACITOR	10uF 25V K	1	R0
	C863	CK73GBB1C224K	C CAPACITOR	0.22uF 16V K	1	R0
	C864	CK73GXR1H104K	C CAPACITOR	0.1uF 50V K	1	R0
	C866	CK73EXR1A106K	C CAPACITOR	10uF 10V K	1	R0
	C867	CK73EXR1A106K	C CAPACITOR	10uF 10V K	1	R0
	C868	QEZ0850-157Z	E CAPACITOR	150uF	1	R0
	C869	CK73GBB1C224K	C CAPACITOR	0.22uF 16V K	1	R0
	C870	CC73GCH1H150J	C CAPACITOR	15pF 50V J	1	R0
	C891	CK73GXR1H104K	C CAPACITOR	0.1uF 50V K	1	R0
	C892	CK73GXR1H104K	C CAPACITOR	0.1uF 50V K	1	R0
	C893	CK73GXR0J106M	C CAPACITOR	10uF 6.3V M	1	R0
	C903	CD04AS1C220M	E CAPACITOR	22uF 16V M	1	R0
	C904	CK73GXR1A105K	C CAPACITOR	1uF 10V K	1	R0
	C905	CD04AR1C471M	E CAPACITOR	470uF 16V M	1	R0
	C906	CK73GXR1A105K	C CAPACITOR	1uF 10V K	1	R0
	C907	CD04AS0J101M	E CAPACITOR	100uF 6.3V M	1	R0
	C908	CK73GXR1A105K	C CAPACITOR	1uF 10V K	1	R0
	C909	CK73GXR1H104K	C CAPACITOR	0.1uF 50V K	1	R0
	C911	CK73GXR1H104K	C CAPACITOR	0.1uF 50V K	1	R0
	C912	CK73GXR1A105K	C CAPACITOR	1uF 10V K	1	R0
	C914	CK73GXR1A105K	C CAPACITOR	1uF 10V K	1	R0
	C916	CK73GBB1H103K	C CAPACITOR	0.01uF 50V K	1	R0
	C940	CK73FXR0J106K	C CAPACITOR	10uF 6.3V K	1	R0
	C941	CK73GXR1A105K	C CAPACITOR	1uF 10V K	1	R0
	C942	CK73FXR0J106K	C CAPACITOR	10uF 6.3V K	1	R0
	C990	QEZ0981-228	E CAPACITOR	2200uF	1	R0
	C1000	CK73GBB1H472K	C CAPACITOR	4700pF 50V K	1	R0
	C1010	CK73GBB1H471K	C CAPACITOR	470pF 50V K	1	R0
	C1011	CK73GBB1H471K	C CAPACITOR	470pF 50V K	1	R0
	C1012	CK73GBB1H471K	C CAPACITOR	470pF 50V K	1	R0
	C1013	CK73GBB1H471K	C CAPACITOR	470pF 50V K	1	R0
	C1014	CK73GBB1H471K	C CAPACITOR	470pF 50V K	1	R0
	C1015	CK73GBB1H471K	C CAPACITOR	470pF 50V K	1	R0
	C1016	CK73GBB1H471K	C CAPACITOR	470pF 50V K	1	R0
	C1017	CK73GBB1H471K	C CAPACITOR	470pF 50V K	1	R0
	C1022	CK73GBB1H472K	C CAPACITOR	4700pF 50V K	1	R0
	C1023	CK73GBB1H472K	C CAPACITOR	4700pF 50V K	1	R0
	C1028	CK73GBB1H472K	C CAPACITOR	4700pF 50V K	1	R0
	C1033	CK73GBB1H472K	C CAPACITOR	4700pF 50V K	1	R0
	C1034	CK73GBB1H472K	C CAPACITOR	4700pF 50V K	1	R0
	C1035	CK73GBB1H472K	C CAPACITOR	4700pF 50V K	1	R0
	C1320	CK73GXR1H104K	C CAPACITOR	0.1uF 50V K	1	R0
	C1600	CK73GXR1H104K	C CAPACITOR	0.1uF 50V K	1	R0
	C1601	CK73GXR1H104K	C CAPACITOR	0.1uF 50V K	1	R0
	C1602	CK73GXR1H104K	C CAPACITOR	0.1uF 50V K	1	R0
	C1603	CK73GXR1H104K	C CAPACITOR	0.1uF 50V K	1	R0
	C1604	CK73GXR1H104K	C CAPACITOR	0.1uF 50V K	1	R0
	C1605	CK73GXR1H104K	C CAPACITOR	0.1uF 50V K	1	R0
	C1900	CK73GBB1H103K	C CAPACITOR	0.01uF 50V K	1	R0
	C1901	CK73GBB1H471K	C CAPACITOR	470pF 50V K	1	R0
	R100	RK73GB2A471J	MG RESISTOR	470Ω 1/10W J	1	R0
	R103	RK73GB2A473J	MG RESISTOR	47kΩ 1/10W J	1	R0
	R104	RK73GB2A473J	MG RESISTOR	47kΩ 1/10W J	1	R0
	R167	RK73GB2A000J	MG RESISTOR	0Ω 1/10W J	1	R0
	R168	RK73GB2A101J	MG RESISTOR	100Ω 1/10W J	1	R0
	R169	RK73GB2A101J	MG RESISTOR	100Ω 1/10W J	1	R0
	R170	RK73GB2A000J	MG RESISTOR	0Ω 1/10W J	1	R0
	R171	RK73GB2A103J	MG RESISTOR	10kΩ 1/10W J	1	R0
	R250	RK73GB2A181J	MG RESISTOR	180Ω 1/10W J	1	R0
	R251	RK73GB2A223J	MG RESISTOR	22kΩ 1/10W J	1	R0
	R252	RK73GB2A331J	MG RESISTOR	330Ω 1/10W J	1	R0
	R260	RK73GB2A181J	MG RESISTOR	180Ω 1/10W J	1	R0
	R261	RK73GB2A223J	MG RESISTOR	22kΩ 1/10W J	1	R0
	R262	RK73GB2A331J	MG RESISTOR	330Ω 1/10W J	1	R0
	R270	RK73GB2A104J	MG RESISTOR	100kΩ 1/10W J	1	R0
	R271	RK73GB2A331J	MG RESISTOR	330Ω 1/10W J	1	R0
	R273	RK73GB2A223J	MG RESISTOR	22kΩ 1/10W J	1	R0
	R302	RK73GB2A222J	MG RESISTOR	2.2kΩ 1/10W J	1	R0

MODEL	MARK	MODEL	MARK	MODEL	MARK	MODEL	MARK
KDC-170Y	E1	KDC-200UV	M1	KDC-265U	K0	KDC-MP3065U	R0

Safe	Symbol No.	Parts No.	Parts Name	Description	QTY	Local
R303		RK73EB2E5R1J	MG RESISTOR	5.1Ω 1/4W J	1	R0
R304		RK73GB2A473J	MG RESISTOR	47kΩ 1/10W J	1	R0
R320		RK73GB2A181J	MG RESISTOR	180Ω 1/10W J	1	R0
R321		RK73GB2A223J	MG RESISTOR	22kΩ 1/10W J	1	R0
R323		RK73GB2A331J	MG RESISTOR	330Ω 1/10W J	1	R0
R330		RK73GB2A181J	MG RESISTOR	180Ω 1/10W J	1	R0
R331		RK73GB2A223J	MG RESISTOR	22kΩ 1/10W J	1	R0
R333		RK73GB2A331J	MG RESISTOR	330Ω 1/10W J	1	R0
R370		RK73GB2A683J	MG RESISTOR	68kΩ 1/10W J	1	R0
R371		RK73GB2A123J	MG RESISTOR	12kΩ 1/10W J	1	R0
R372		RK73GB2A103J	MG RESISTOR	10kΩ 1/10W J	1	R0
R390		RK73EB2E472J	MG RESISTOR	4.7kΩ 1/4W J	1	R0
R400		RK73GB2A102J	MG RESISTOR	1kΩ 1/10W J	1	R0
R402		RK73GB2A225J	MG RESISTOR	2.2MΩ 1/10W J	1	R0
R410		RK73GB2A101J	MG RESISTOR	100Ω 1/10W J	1	R0
R411		RK73GB2A101J	MG RESISTOR	100Ω 1/10W J	1	R0
R412		RK73GB2A472J	MG RESISTOR	4.7kΩ 1/10W J	1	R0
R413		RK73GB2A472J	MG RESISTOR	4.7kΩ 1/10W J	1	R0
R414		RK73GB2A472J	MG RESISTOR	4.7kΩ 1/10W J	1	R0
R421		RK73GB2A473J	MG RESISTOR	47kΩ 1/10W J	1	R0
R541		RK73GB2A562J	MG RESISTOR	5.6kΩ 1/10W J	1	R0
R542		RK73GB2A223J	MG RESISTOR	22kΩ 1/10W J	1	R0
R543		RK73GB2A562J	MG RESISTOR	5.6kΩ 1/10W J	1	R0
R544		RK73GB2A183J	MG RESISTOR	18kΩ 1/10W J	1	R0
R546		RK73GB2A103J	MG RESISTOR	10kΩ 1/10W J	1	R0
R548		RK73GB2A123J	MG RESISTOR	12kΩ 1/10W J	1	R0
R550		RK73GB2A222J	MG RESISTOR	2.2kΩ 1/10W J	1	R0
R551		RK73GB2A222J	MG RESISTOR	2.2kΩ 1/10W J	1	R0
R554		RK73GB2A225J	MG RESISTOR	2.2MΩ 1/10W J	1	R0
R556		RK73GB2A472J	MG RESISTOR	4.7kΩ 1/10W J	1	R0
R557		RK73EB2E4R7J	MG RESISTOR	4.7Ω 1/4W J	1	R0
R558		RK73GB2A821J	MG RESISTOR	820Ω 1/10W J	1	R0
R559		RK73GB2A272J	MG RESISTOR	2.7kΩ 1/10W J	1	R0
R562		RK73EB2E823J	MG RESISTOR	82kΩ 1/4W J	1	R0
R567		RK73GB2A101J	MG RESISTOR	100Ω 1/10W J	1	R0
R569		RK73EB2E102J	MG RESISTOR	1kΩ 1/4W J	1	R0
R570		RK73GB2A101J	MG RESISTOR	100Ω 1/10W J	1	R0
R571		RK73GB2A103J	MG RESISTOR	10kΩ 1/10W J	1	R0
R572		RK73GB2A102J	MG RESISTOR	1kΩ 1/10W J	1	R0
R573		RK73GB2A105J	MG RESISTOR	1MΩ 1/10W J	1	R0
R579		RK73GB2A222J	MG RESISTOR	2.2kΩ 1/10W J	1	R0
R580		RK73GB2A222J	MG RESISTOR	2.2kΩ 1/10W J	1	R0
R587		RK73GB2A220J	MG RESISTOR	22Ω 1/10W J	1	R0
R589		RK73GB2A821J	MG RESISTOR	820Ω 1/10W J	1	R0
R590		RK73GB2A821J	MG RESISTOR	820Ω 1/10W J	1	R0
R600		RK73FB2B102J	MG RESISTOR	1kΩ 1/8W J	1	R0
R601		RK73GB2A101J	MG RESISTOR	100Ω 1/10W J	1	R0
R602		RK73GB2A820J	MG RESISTOR	82Ω 1/10W J	1	R0
R603		RK73GB2A105J	MG RESISTOR	1MΩ 1/10W J	1	R0
R604		RK73GB2A105J	MG RESISTOR	1MΩ 1/10W J	1	R0
R605		RK73GB2A4R7J	MG RESISTOR	4.7Ω 1/10W J	1	R0
R611		RK73GB2A101J	MG RESISTOR	100Ω 1/10W J	1	R0
R701		RK73GB2A162J	MG RESISTOR	1.6kΩ 1/10W J	1	R0
R702		RK73GB2A472J	MG RESISTOR	4.7kΩ 1/10W J	1	R0
R703		RK73GB2A162J	MG RESISTOR	1.6kΩ 1/10W J	1	R0
R704		RK73GB2A162J	MG RESISTOR	1.6kΩ 1/10W J	1	R0
R705		RK73GB2A103J	MG RESISTOR	10kΩ 1/10W J	1	R0
R707		RK73GB2A162J	MG RESISTOR	1.6kΩ 1/10W J	1	R0
R709		RK73GB2A332J	MG RESISTOR	3.3kΩ 1/10W J	1	R0
R711		RK73GB2A222J	MG RESISTOR	2.2kΩ 1/10W J	1	R0
R712		RK73GB2A102J	MG RESISTOR	1kΩ 1/10W J	1	R0
R713		RK73GB2A222J	MG RESISTOR	2.2kΩ 1/10W J	1	R0
R714		RK73GB2A102J	MG RESISTOR	1kΩ 1/10W J	1	R0
R715		RK73GB2A222J	MG RESISTOR	2.2kΩ 1/10W J	1	R0
R716		RK73GB2A222J	MG RESISTOR	2.2kΩ 1/10W J	1	R0
R717		RK73GB2A104J	MG RESISTOR	100kΩ 1/10W J	1	R0
R719		RK73GB2A911J	MG RESISTOR	910Ω 1/10W J	1	R0
R720		RK73GB2A473J	MG RESISTOR	47kΩ 1/10W J	1	R0
R721		RK73GB2A473J	MG RESISTOR	47kΩ 1/10W J	1	R0
R722		RK73GB2A911J	MG RESISTOR	910Ω 1/10W J	1	R0
R723		RK73GB2A473J	MG RESISTOR	47kΩ 1/10W J	1	R0
R724		RK73GB2A105J	MG RESISTOR	1MΩ 1/10W J	1	R0
R725		RK73GB2A332J	MG RESISTOR	3.3kΩ 1/10W J	1	R0
R726		RK73GB2A220J	MG RESISTOR	22Ω 1/10W J	1	R0
R727		RK73GB2A153J	MG RESISTOR	15kΩ 1/10W J	1	R0
R728		RK73GB2A220J	MG RESISTOR	22Ω 1/10W J	1	R0
R729		RK73GB2A153J	MG RESISTOR	15kΩ 1/10W J	1	R0
R730		RK73GB2A473J	MG RESISTOR	47kΩ 1/10W J	1	R0
R731		RK73GB2A473J	MG RESISTOR	47kΩ 1/10W J	1	R0
R732		RK73GB2A393J	MG RESISTOR	39kΩ 1/10W J	1	R0
R733		RK73GB2A822J	MG RESISTOR	8.2kΩ 1/10W J	1	R0
R735		RK73GB2A473J	MG RESISTOR	47kΩ 1/10W J	1	R0
R743		RK73GB2A473J	MG RESISTOR	47kΩ 1/10W J	1	R0
R744		RK73GB2A473J	MG RESISTOR	47kΩ 1/10W J	1	R0
R745		RK73EB2E222J	MG RESISTOR	2.2kΩ 1/4W J	1	R0
R746		RK73GB2A472J	MG RESISTOR	4.7kΩ 1/10W J	1	R0
R747		RK73GB2A472J	MG RESISTOR	4.7kΩ 1/10W J	1	R0
R748		RK73GB2A472J	MG RESISTOR	4.7kΩ 1/10W J	1	R0
R749		RK73GB2A473J	MG RESISTOR	47kΩ 1/10W J	1	R0
R750		RK73GB2A101J	MG RESISTOR	100Ω 1/10W J	1	R0
R751		RK73GB2A473J	MG RESISTOR	47kΩ 1/10W J	1	R0
R752		RK73GB2A101J	MG RESISTOR	100Ω 1/10W J	1	R0
R753		RK73EB2E102J	MG RESISTOR	1kΩ 1/4W J	1	R0

MODEL	MARK	MODEL	MARK	MODEL	MARK	MODEL	MARK
KDC-170Y	E1	KDC-200UV	M1	KDC-265U	K0	KDC-MP3065U	R0

Safe	Symbol No.	Parts No.	Parts Name	Description	QTY	Local
	R754	RK73GB2A100J	MG RESISTOR	10Ω 1/10W J	1	R0
	R755	NQR0713-001X	FERRITE BEADS		1	R0
	R756	RK73GB2A473J	MG RESISTOR	47kΩ 1/10W J	1	R0
	R757	RK73GB2A473J	MG RESISTOR	47kΩ 1/10W J	1	R0
	R758	RK73GB2A473J	MG RESISTOR	47kΩ 1/10W J	1	R0
	R760	RK73GB2A473J	MG RESISTOR	47kΩ 1/10W J	1	R0
	R761	RK73GB2A473J	MG RESISTOR	47kΩ 1/10W J	1	R0
	R762	RK73GB2A473J	MG RESISTOR	47kΩ 1/10W J	1	R0
	R763	RK73GB2A472J	MG RESISTOR	4.7kΩ 1/10W J	1	R0
	R764	RK73GB2A472J	MG RESISTOR	4.7kΩ 1/10W J	1	R0
	R820	RK73EB2E473J	MG RESISTOR	47kΩ 1/4W J	1	R0
	R821	RK73GB2A473J	MG RESISTOR	47kΩ 1/10W J	1	R0
	R822	RK73GB2A473J	MG RESISTOR	47kΩ 1/10W J	1	R0
	R830	RK73EB2E101J	MG RESISTOR	100Ω 1/4W J	1	R0
	R840	RK73GB2A101J	MG RESISTOR	100Ω 1/10W J	1	R0
	R841	RK73GB2A101J	MG RESISTOR	100Ω 1/10W J	1	R0
	R850	RK73EB2E000J	MG RESISTOR	0Ω 1/4W J	1	R0
	R861	RK73GB2A200J	MG RESISTOR	20Ω 1/10W J	1	R0
	R864	RK73GB2A393J	MG RESISTOR	39kΩ 1/10W J	1	R0
	R865	RK73GH2A683D	MG RESISTOR	68kΩ 1/10W D	1	R0
	R867	RK73GH2A393D	MG RESISTOR	39kΩ 1/10W D	1	R0
	R868	RK73GH2A183D	MG RESISTOR	18kΩ 1/10W D	1	R0
	R890	RK73GH2A163D	MG RESISTOR	16kΩ 1/10W D	1	R0
	R892	RK73GB2A222J	MG RESISTOR	2.2kΩ 1/10W J	1	R0
	R894	RK73GB2A000J	MG RESISTOR	0Ω 1/10W J	1	R0
	R900	RK73EB2E473J	MG RESISTOR	47kΩ 1/4W J	1	R0
	R901	RK73EB2E473J	MG RESISTOR	47kΩ 1/4W J	1	R0
	R902	RK73EB2E682J	MG RESISTOR	6.8kΩ 1/4W J	1	R0
	R903	RK73EB2E682J	MG RESISTOR	6.8kΩ 1/4W J	1	R0
	R905	RK73GB2A101J	MG RESISTOR	100Ω 1/10W J	1	R0
	R940	RK73EB2E100J	MG RESISTOR	10Ω 1/4W J	1	R0
	R1006	RK73GB2A000J	MG RESISTOR	0Ω 1/10W J	1	R0
	R1017	RK73GB2A000J	MG RESISTOR	0Ω 1/10W J	1	R0
	R1029	RK73EB2E000J	MG RESISTOR	0Ω 1/4W J	1	R0
	R1036	RK73GB2A000J	MG RESISTOR	0Ω 1/10W J	1	R0
	R1043	RK73GB2A000J	MG RESISTOR	0Ω 1/10W J	1	R0
	R1045	CK73GBB1H471K	C CAPACITOR	470pF 50V K	1	R0
	R1047	RK73EB2E000J	MG RESISTOR	0Ω 1/4W J	1	R0
	R1049	RK73EB2E000J	MG RESISTOR	0Ω 1/4W J	1	R0
	R1064	RK73GB2A100J	MG RESISTOR	10Ω 1/10W J	1	R0
	R1065	RK73GB2A100J	MG RESISTOR	10Ω 1/10W J	1	R0
	R1070	RK73GB2A102J	MG RESISTOR	1kΩ 1/10W J	1	R0
	R1071	RK73GB2A000J	MG RESISTOR	0Ω 1/10W J	1	R0
	R1080	RK73GB2A000J	MG RESISTOR	0Ω 1/10W J	1	R0
	R1091	RK73GB2A000J	MG RESISTOR	0Ω 1/10W J	1	R0
	R1160	RK73EB2E000J	MG RESISTOR	0Ω 1/4W J	1	R0
	R1300	NR20084-0R0X	MG RESISTOR	0Ω	1	R0
	R1600	RK73EB2E000J	MG RESISTOR	0Ω 1/4W J	1	R0
	R1715	RK73EB2E000J	MG RESISTOR	0Ω 1/4W J	1	R0
	R1717	RK73EB2E000J	MG RESISTOR	0Ω 1/4W J	1	R0
	R1861	RK73EB2E000J	MG RESISTOR	0Ω 1/4W J	1	R0
	RA580	RK74GB1J471J	NET RESISTOR	470Ω 1/16W J	1	R0
	RA701	RK74GB1J473J	NET RESISTOR	47kΩ 1/16W J	1	R0
	L540	NQR0713-001X	FERRITE BEADS		1	R0
	L574	NQR0713-001X	FERRITE BEADS		1	R0
	L600	LR73Z0AD4R7M	CHIP INDUCTOR	4.7uH	1	R0
	L601	LK73G0BE4R7K	M.CHIP INDUCTOR		1	R0
	L602	LK73G0BER47K	M.CHIP INDUCTOR		1	R0
	L603	NQLM93K-R10X	INDUCTOR	0.1uH K	1	R0
	L604	LK73G0BE1R0K	M.CHIP INDUCTOR		1	R0
	L605	LK73G0BER22K	M.CHIP INDUCTOR		1	R0
	L606	LK73G0BER12K	M.CHIP INDUCTOR		1	R0
	L607	LK73G0BER15K	M.CHIP INDUCTOR		1	R0
	L700	NQR0713-001X	FERRITE BEADS		1	R0
	L701	LB73G0BK-006	CHIP FERRITE		1	R0
	L709	NQR0713-001X	FERRITE BEADS		1	R0
	L710	NQR0713-001X	FERRITE BEADS		1	R0
	L777	NQR0713-001X	FERRITE BEADS		1	R0
	L778	NQR0713-001X	FERRITE BEADS		1	R0
	L820	NQR0713-001X	FERRITE BEADS		1	R0
	L821	NQR0713-001X	FERRITE BEADS		1	R0
	L822	NQR0713-001X	FERRITE BEADS		1	R0
	L823	NQR0713-001X	FERRITE BEADS		1	R0
	L824	NQR0713-001X	FERRITE BEADS		1	R0
	L825	LB73G0CA-002	CHIP FERRITE		1	R0
	L826	LB73G0CK-001	CHIP FERRITE		1	R0
	L827	LB73G0BK-006	CHIP FERRITE		1	R0
	L860	NQLL6EM-100X	INDUCTOR	10uH M	1	R0
	L861	NQLH65M-4R7X	INDUCTOR	4.7uH M	1	R0
	L990	QQR1927-001	CHOKE COIL		1	R0
	CN502	QGF1040F1-24	FFC/FPC CONNE	FFC/FPC (1-24)	1	R0
	CN701	QGZ2006J1-20	DETACHABLE CONN	(1-20)	1	R0
△	CN990	QNZ0607-001	CAR CONNECTOR		1	R0
	F321	F53-0513-08	PATTERN FUSE	4A	1	R0
	J321	QNN0868-001	PIN JACK		1	R0
	J600	QNB0356-001	ANT TERMINAL		1	R0
	S830	QSW0648-001Z	TACT SWITCH		1	R0
	VA600	F0K-0010-00	SURGE ABSORBER		1	R0
	X540	L7J-0093-00	QUARTZ CRYSTAL		1	R0
	X600	QAX0969-001Z	CRYSTAL		1	R0
	X701	L7J-0060-00	QUARTZ CRYSTAL		1	R0

MODEL	MARK	MODEL	MARK	MODEL	MARK	MODEL	MARK
KDC-170Y	E1	KDC-200UV	M1	KDC-265U	K0	KDC-MP3065U	R0

Safe	Symbol No.	Parts No.	Parts Name	Description	QTY	Local
SWITCH PWB ASSY (XJ6-0510-10) <XJ6>						
	IC1	BU97550KV-M	MOS IC		1	E1,M1,K0
	IC3	NJM431SF	ANALOG IC		1	E1,M1,K0
	IC90	SIR8630B6T	IR DETECT UNIT		1	E1,M1,K0
	Q50	LSCR523EBFS8	TRANSISTOR		1	E1,M1,K0
	Q51	LSCR523EBFS8	TRANSISTOR		1	E1,M1,K0
	Q52	LSCR523EBFS8	TRANSISTOR		1	E1,M1,K0
	Q53	LSCR523EBFS8	TRANSISTOR		1	E1,M1,K0
	Q54	LSCR523EBFS8	TRANSISTOR		1	E1,M1,K0
	Q55	LSCR523EBFS8	TRANSISTOR		1	E1,M1,K0
	D2	MBRX130	SCHOTTKY DIODE		1	E1,M1,K0
	D3	MBRX130	SCHOTTKY DIODE		1	E1,M1,K0
	D20	SML-D12V8WT	LED		1	E1,M1,K0
	D21	NESM026DT-W	LED		1	E1,M1,K0
	D22	NESM026DT-W	LED		1	E1,M1,K0
	D23	NESM026DT-W	LED		1	E1,M1,K0
	D25	NESM026DT-W	LED		1	E1,M1,K0
	D49	NESM026DT-W	LED		1	E1,M1,K0
	D80	DZ2J051M	ZENER DIODE		1	E1,M1,K0
	D81	DZ2J051M	ZENER DIODE		1	E1,M1,K0
	C1	CK73GXR1C105K	C CAPACITOR	1uF 16V K	1	E1,M1,K0
	C5	CK73GXR1A105K	C CAPACITOR	1uF 10V K	1	E1,M1,K0
	C6	CK73EXR1C106K	C CAPACITOR	10uF 16V K	1	E1,M1,K0
	C7	CK73GBB1H472K	C CAPACITOR	4700pF 50V K	1	E1,M1,K0
	C60	CK73GBB1H102K	C CAPACITOR	1000pF 50V K	1	E1,M1,K0
	C61	CK73GBB1H102K	C CAPACITOR	1000pF 50V K	1	E1,M1,K0
	C80	CC73GCH1H270J	C CAPACITOR	27pF 50V J	1	E1,M1,K0
	C81	CC73GCH1H270J	C CAPACITOR	27pF 50V J	1	E1,M1,K0
	C82	CK73EXR1C106K	C CAPACITOR	10uF 16V K	1	E1,M1,K0
	C83	CK73GBB1H471K	C CAPACITOR	470pF 50V K	1	E1,M1,K0
	C84	CK73GBB1H472K	C CAPACITOR	4700pF 50V K	1	E1,M1,K0
	C85	CK73GBB1H471K	C CAPACITOR	470pF 50V K	1	E1,M1,K0
	C86	CK73GBB1H472K	C CAPACITOR	4700pF 50V K	1	E1,M1,K0
	C91	CK73GXR1A105K	C CAPACITOR	1uF 10V K	1	E1,M1,K0
	R1	RK73GH2A103D	MG RESISTOR	10kΩ 1/10W D	1	E1,M1,K0
	R2	RK73GH2A912D	MG RESISTOR	9.1kΩ 1/10W D	1	E1,M1,K0
	R3	RK73GB2A471J	MG RESISTOR	470Ω 1/10W J	1	E1,M1,K0
	R4	RK73GB2A101J	MG RESISTOR	100Ω 1/10W J	1	E1,M1,K0
	R6	RK73EB2E910J	MG RESISTOR	91Ω 1/4W J	1	E1,M1,K0
	R7	RK73FB2B000J	MG RESISTOR	0Ω 1/8W J	1	E1,M1,K0
	R10	RK73GB2A152J	MG RESISTOR	1.5kΩ 1/10W J	1	E1,M1,K0
	R14	RK73GB2A243J	MG RESISTOR	24kΩ 1/10W J	1	E1,M1,K0
	R21	RK73FB2B102J	MG RESISTOR	1kΩ 1/8W J	1	E1,M1,K0
	R22	RK73FB2B681J	MG RESISTOR	680Ω 1/8W J	1	E1,M1,K0
	R23	RK73FB2B681J	MG RESISTOR	680Ω 1/8W J	1	E1,M1,K0
	R25	RK73FB2B102J	MG RESISTOR	1kΩ 1/8W J	1	E1,M1,K0
	R26	RK73FB2B681J	MG RESISTOR	680Ω 1/8W J	1	E1,M1,K0
	R27	RK73FB2B681J	MG RESISTOR	680Ω 1/8W J	1	E1,M1,K0
	R29	RK73FB2B132J	MG RESISTOR	1.3kΩ 1/8W J	1	E1,M1,K0
	R30	RK73FB2B911J	MG RESISTOR	910Ω 1/8W J	1	E1,M1,K0
	R31	RK73FB2B911J	MG RESISTOR	910Ω 1/8W J	1	E1,M1,K0
	R33	RK73EB2E751J	MG RESISTOR	750Ω 1/4W J	1	E1,M1,K0
	R34	RK73EB2E471J	MG RESISTOR	470Ω 1/4W J	1	E1,M1,K0
	R35	RK73EB2E471J	MG RESISTOR	470Ω 1/4W J	1	E1,M1,K0
	R37	RK73FB2B821J	MG RESISTOR	820Ω 1/8W J	1	E1,M1,K0
	R38	RK73FB2B561J	MG RESISTOR	560Ω 1/8W J	1	E1,M1,K0
	R39	RK73FB2B561J	MG RESISTOR	560Ω 1/8W J	1	E1,M1,K0
	R60	RK73FB2B101J	MG RESISTOR	100Ω 1/8W J	1	E1,M1,K0
	R61	RK73FB2B101J	MG RESISTOR	100Ω 1/8W J	1	E1,M1,K0
	R62	RK73FB2B4R7J	MG RESISTOR	4.7Ω 1/8W J	1	E1,M1,K0
	R80	RK73EB2E221J	MG RESISTOR	220Ω 1/4W J	1	E1,M1,K0
	R1006	RK73GB2A000J	MG RESISTOR	0Ω 1/10W J	1	E1,M1,K0
	RA1	RK74GB1J101J	NET RESISTOR	100Ω 1/16W J	1	E1,M1,K0
	RA2	RK74GB1J101J	NET RESISTOR	100Ω 1/16W J	1	E1,M1,K0
	RA3	RK74GB1J101J	NET RESISTOR	100Ω 1/16W J	1	E1,M1,K0
	RA50	RK74GB1J682J	NET RESISTOR	6.8kΩ 1/16W J	1	E1,M1,K0
	RA53	RK74GB1J682J	NET RESISTOR	6.8kΩ 1/16W J	1	E1,M1,K0
	CN1	QGZ2006K1-20X	DETACHABLE CONN	(1-20)	1	E1,M1,K0
	FL80	L7K-0030-00	FILTER		1	E1,M1,K0
	J60	QNS0320-001	3.5 JACK		1	E1,M1,K0
	J80	E5J-0069-00	USB TERMINAL		1	E1,M1,K0
	S20	T9K-0007-00	ROTARY ENCODER		1	E1,M1,K0
SWITCH PWB ASSY XJ6-0523-20) <XJ6>						
	IC1	BU97550KV-M	MOS IC		1	R0
	IC3	NJM431SF	ANALOG IC		1	R0
	IC90	SIR8630B6T	IR DETECT UNIT		1	R0
	Q50	LSCR523EBFS8	TRANSISTOR		1	R0
	Q51	LSCR523EBFS8	TRANSISTOR		1	R0
	Q52	LSCR523EBFS8	TRANSISTOR		1	R0
	Q53	LSCR523EBFS8	TRANSISTOR		1	R0
	Q54	LSCR523EBFS8	TRANSISTOR		1	R0
	Q55	LSCR523EBFS8	TRANSISTOR		1	R0
	D2	MBRX130	SCHOTTKY DIODE		1	R0
	D3	MBRX130	SCHOTTKY DIODE		1	R0
	D20	SML-D12V8WT	LED		1	R0
	D21	NESM026DT-W	LED		1	R0
	D22	NESM026DT-W	LED		1	R0
	D23	NESM026DT-W	LED		1	R0
	D25	NESM026DT-W	LED		1	R0
	D49	NESM026DT-W	LED		1	R0
	D80	DZ2J051M	ZENER DIODE		1	R0
	D81	DZ2J051M	ZENER DIODE		1	R0
	C1	CK73GXR1C105K	C CAPACITOR	1uF 16V K	1	R0

MODEL	MARK	MODEL	MARK	MODEL	MARK	MODEL	MARK
KDC-170Y	E1	KDC-200UV	M1	KDC-265U	K0	KDC-MP3065U	R0

Safe	Symbol No.	Parts No.	Parts Name	Description	QTY	Local
	C5	CK73GXR1A105K	C CAPACITOR	1uF 10V K	1	R0
	C6	CK73EXR1C106K	C CAPACITOR	10uF 16V K	1	R0
	C7	CK73GBB1H472K	C CAPACITOR	4700pF 50V K	1	R0
	C60	CK73GBB1H102K	C CAPACITOR	1000pF 50V K	1	R0
	C61	CK73GBB1H102K	C CAPACITOR	1000pF 50V K	1	R0
	C80	CC73GCH1H270J	C CAPACITOR	27pF 50V J	1	R0
	C81	CC73GCH1H270J	C CAPACITOR	27pF 50V J	1	R0
	C82	CK73EXR1C106K	C CAPACITOR	10uF 16V K	1	R0
	C83	CK73GBB1H471K	C CAPACITOR	470pF 50V K	1	R0
	C84	CK73GBB1H472K	C CAPACITOR	4700pF 50V K	1	R0
	C85	CK73GBB1H471K	C CAPACITOR	470pF 50V K	1	R0
	C86	CK73GBB1H472K	C CAPACITOR	4700pF 50V K	1	R0
	C91	CK73GXR1A105K	C CAPACITOR	1uF 10V K	1	R0
	R1	RK73GH2A103D	MG RESISTOR	10kΩ 1/10W D	1	R0
	R2	RK73GH2A912D	MG RESISTOR	9.1kΩ 1/10W D	1	R0
	R3	RK73GB2A471J	MG RESISTOR	470Ω 1/10W J	1	R0
	R4	RK73GB2A101J	MG RESISTOR	100Ω 1/10W J	1	R0
	R6	RK73EB2E910J	MG RESISTOR	91Ω 1/4W J	1	R0
	R7	RK73FB2B000J	MG RESISTOR	0Ω 1/8W J	1	R0
	R10	RK73GB2A152J	MG RESISTOR	1.5kΩ 1/10W J	1	R0
	R14	RK73GB2A243J	MG RESISTOR	24kΩ 1/10W J	1	R0
	R21	RK73FB2B102J	MG RESISTOR	1kΩ 1/8W J	1	R0
	R22	RK73FB2B681J	MG RESISTOR	680Ω 1/8W J	1	R0
	R23	RK73FB2B681J	MG RESISTOR	680Ω 1/8W J	1	R0
	R25	RK73FB2B102J	MG RESISTOR	1kΩ 1/8W J	1	R0
	R26	RK73FB2B681J	MG RESISTOR	680Ω 1/8W J	1	R0
	R27	RK73FB2B681J	MG RESISTOR	680Ω 1/8W J	1	R0
	R29	RK73FB2B132J	MG RESISTOR	1.3kΩ 1/8W J	1	R0
	R30	RK73FB2B911J	MG RESISTOR	910Ω 1/8W J	1	R0
	R31	RK73FB2B911J	MG RESISTOR	910Ω 1/8W J	1	R0
	R33	RK73EB2E751J	MG RESISTOR	750Ω 1/4W J	1	R0
	R34	RK73EB2E471J	MG RESISTOR	470Ω 1/4W J	1	R0
	R35	RK73EB2E471J	MG RESISTOR	470Ω 1/4W J	1	R0
	R37	RK73FB2B821J	MG RESISTOR	820Ω 1/8W J	1	R0
	R38	RK73FB2B561J	MG RESISTOR	560Ω 1/8W J	1	R0
	R39	RK73FB2B561J	MG RESISTOR	560Ω 1/8W J	1	R0
	R60	RK73FB2B101J	MG RESISTOR	100Ω 1/8W J	1	R0
	R61	RK73FB2B101J	MG RESISTOR	100Ω 1/8W J	1	R0
	R62	RK73FB2B4R7J	MG RESISTOR	4.7Ω 1/8W J	1	R0
	R80	RK73EB2E221J	MG RESISTOR	220Ω 1/4W J	1	R0
	R1006	RK73GB2A000J	MG RESISTOR	0Ω 1/10W J	1	R0
	RA1	RK74GB1J101J	NET RESISTOR	100Ω 1/16W J	1	R0
	RA2	RK74GB1J101J	NET RESISTOR	100Ω 1/16W J	1	R0
	RA3	RK74GB1J101J	NET RESISTOR	100Ω 1/16W J	1	R0
	RA50	RK74GB1J682J	NET RESISTOR	6.8kΩ 1/16W J	1	R0
	RA53	RK74GB1J682J	NET RESISTOR	6.8kΩ 1/16W J	1	R0
	CN1	QGZ2006K1-20X	DETACHABLE CONN	(1-20)	1	R0
	FL80	L7K-0030-00	FILTER		1	R0
	J60	QNS0320-001	3.5 JACK		1	R0
	J80	E5J-0069-00	USB TERMINAL		1	R0
	S20	T9K-0007-00	ROTARY ENCODER		1	R0
CD MECHA PWB ASSY (LVA20106-01A) <L20>						
	IC1	BD8266EFV-M-X	IC		1	
	C26	CK73FXR1C106K	C CAPACITOR	10uF 16V K	1	
	C54	NCB31HK-104X	C CAPACITOR	0.1uF 50V K	1	
	C55	CK73FXR1C106K	C CAPACITOR	10uF 16V K	1	
	R18	RK73GB2A822J	MG RESISTOR	8.2kΩ 1/10W J	1	
	R21	RK73GB2A822J	MG RESISTOR	8.2kΩ 1/10W J	1	
	R24	RK73GB2A272J	MG RESISTOR	2.7kΩ 1/10W J	1	
	R27	RK73GB2A562J	MG RESISTOR	5.6kΩ 1/10W J	1	
	R28	RK73GB2A114J	MG RESISTOR	110kΩ 1/10W J	1	
	R29	RK73GB2A101J	MG RESISTOR	100Ω 1/10W J	1	
	R30	RK73GB2A101J	MG RESISTOR	100Ω 1/10W J	1	
	R36	RK73GB2A000J	MG RESISTOR	0Ω 1/10W J	1	
	R37	RK73GB2A000J	MG RESISTOR	0Ω 1/10W J	1	
	R38	RK73GB2A000J	MG RESISTOR	0Ω 1/10W J	1	
	R40	RK73GB2A000J	MG RESISTOR	0Ω 1/10W J	1	
	R42	RK73EB2E000J	MG RESISTOR	0Ω 1/4W J	1	
	R47	RK73EB2E000J	MG RESISTOR	0Ω 1/4W J	1	
	R48	RK73EB2E000J	MG RESISTOR	0Ω 1/4W J	1	
	R50	RK73GB2A131J	MG RESISTOR	130Ω 1/10W J	1	
	CN1	QGF1044F2-24X	FFC/FPC CONNE	FFC/FPC (1-24)	1	
	CN2	QGF0522F6-15W	FFC/FPC CONNE	FFC/FPC (1-15)	1	
	SW1	NSW0291-001X	DETECT SWITCH		1	
	SW2	NSW0291-001X	DETECT SWITCH		1	
	SW3	NSW0313-001X	DETECT SWITCH		1	