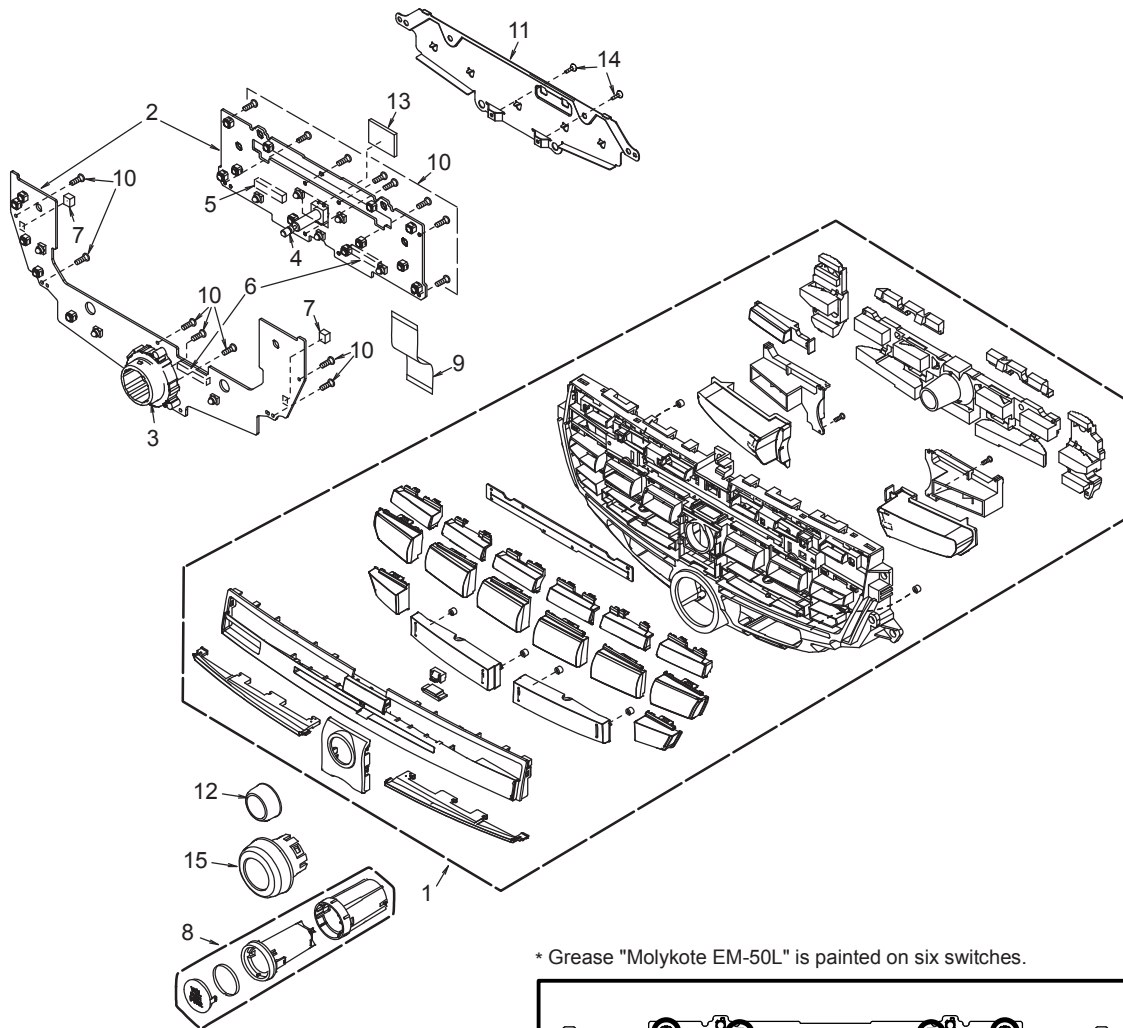
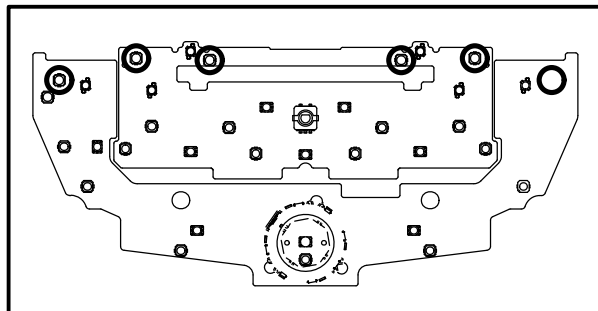


EXPLODED VIEW / PARTS LIST

Escutcheon section



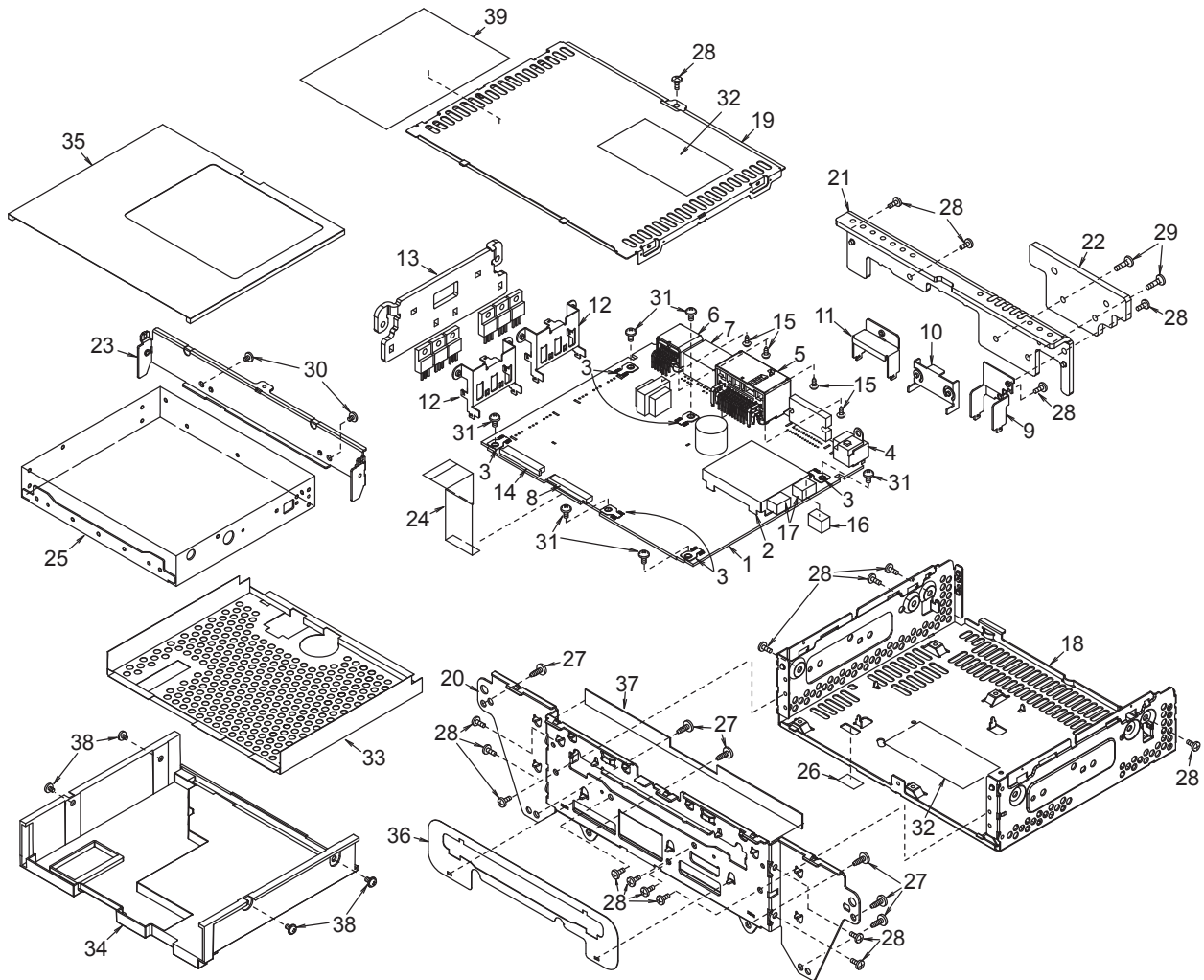
* Grease "Molykote EM-50L" is painted on six switches.



| NO. | PART NO. | DESCRIPTION | Q'TY |
|-----|--|--|------|
| 1 | 940-8187-04 940-8187-14 940-8187-24 940-8187-34 | ES-ASSY(PH2910BA,E) ES-ASSY(PH2910BB,F) ES-ASSY(PH2910BG) ES-ASSY(PH2910BH) | 1 |
| 2 | ----- | SWITCH PWB | 1 |
| 3 | 016-7003-00 | ROTARY ENODER | 1 |
| 4 | 016-0018-20 | VR W/SHAFT | 1 |
| 5 | 074-3014-74 | OUTLET SOCKET | 1 |
| 6 | 074-1158-69 | OUTLET SOCKET | 2 |
| 7 | 345-8720-01 | GASKET | 2 |

| NO. | PART NO. | DESCRIPTION | Q'TY |
|-----|-------------|----------------|------|
| 8 | 948-0786-02 | BUTTON ASSY | 1 |
| 9 | 816-4042-50 | FLAT WIRE | 1 |
| 10 | 716-0778-51 | SCREW(M2x6) | 15 |
| 11 | 331-4411-00 | ES-PLATE(B) | 1 |
| 12 | 380-5704-01 | KNOB(S) | 1 |
| 13 | 345-6057-01 | CUSHION RUBBER | 1 |
| 14 | 716-3615-00 | SCREW(M2x8) | 2 |
| 15 | 380-5703-01 | KNOB | 1 |

Main section



| NO. | PART NO. | DESCRIPTION | Q'TY |
|-----|-------------|-----------------|------|
| 1 | ----- | MAIN PWB | 1 |
| 2 | 880-2091G | TUNER PACK | 1 |
| 3 | 073-0762-90 | TERMINAL | 6 |
| 4 | 092-2209-00 | ANT-RECEPT | 1 |
| 5 | 074-4026-24 | OUTLET SOCKET | 1 |
| 6 | 074-4017-12 | OUTLET SOCKET | 1 |
| 7 | 074-1168-14 | OUTLET SOCKET | 1 |
| 8 | 074-1237-79 | OUTLET SOCKET | 1 |
| 9 | 331-4065-00 | ANT HOLDER | 1 |
| 10 | 331-3459-00 | IC HOLDER | 1 |
| 11 | 331-3769-00 | OUTLET HOLDER | 1 |
| 12 | 331-4066-00 | TR HOLDER | 2 |
| 13 | 313-2017-00 | SUB HEAT SINK | 1 |
| 14 | 076-3011-74 | PLUG | 1 |
| 15 | 778-3005-00 | TAP SCREW(M3x5) | 4 |
| 16 | 345-8720-01 | GASKET | 1 |
| 17 | 345-8581-03 | GASKET | 2 |
| 18 | 311-1943-00 | LOWER CASE | 1 |
| 19 | 310-1859-01 | UPPER CASE | 1 |
| 20 | 331-4410-01 | ES-PLATE(A) | 1 |
| 21 | 313-2015-03 | HEAT SINK(A) | 1 |

| NO. | PART NO. | DESCRIPTION | Q'TY |
|-----|--|--|------|
| 22 | 313-2016-02 | HEAT SINK(B) | 1 |
| 23 | 331-4412-00 | MECH BRKT | 1 |
| 24 | 816-4028-50 | FLAT WIRE | 1 |
| 25 | 929-5024-80 | CD-MECH-MODULE | 1 |
| 26 | 347-7806-00 | SOCKET CVR | 1 |
| 27 | 716-1553-50 | SCREW(M3x8) | 6 |
| 28 | 714-2606-8B | MACHINE SCREW(M2.6x6) | 18 |
| 29 | 714-2614-8H | MACHINE SCREW(M2.6x14) | 2 |
| 30 | 714-2603-8B | MACHINE SCREW(M2.6x3) | 2 |
| 31 | 716-0878-50 | SCREW(M2.6x5) | 6 |
| 32 | 286-6685-33 286-6685-34 286-6685-35 286-6685-36 | SETPLATE(PH2910BA,E) SETPLATE(PH2910BB,F) SETPLATE(PH2910BG) SETPLATE(PH2910BH) | 1 |
| 33 | 347-8233-00 | MECH CVR(PH2910BA,B,E,F) | 1 |
| 34 | 335-8174-01 | MECH CVR(PH2910BG,H) | 1 |
| 35 | 347-8322-00 | SHEET(PH2910BG,H) | 1 |
| 36 | 335-8175-01 | D-P-SHEET(PH2910BG,H) | 1 |
| 37 | 347-8232-00 | SHADE(PH2910BG,H) | 1 |
| 38 | 780-2603-07 | SCREW(M2.6x3)(PH2910BG,H) | 4 |
| 39 | 290-0273-00 | LABEL(PH2910BG,H) | 1 |

ELECTRICAL PARTS LIST

Main PWB(B1) section

| REF No. | PART No. | DESCRIPTION | REF No. | PART No. | DESCRIPTION | REF No. | PART No. | DESCRIPTION |
|---------|-------------|----------------|---------|-------------|---------------|---------|-------------|-------------|
| ANT101 | 092-2209-00 | ANTENNA RECEPT | C240 | 168-1042-78 | 16V 0.1uF | C445 | 168-1042-78 | 16V 0.1uF |
| BL101 | 880-2091G | TUNER PACK | C241 | 042-1767-90 | 16V 470uF | C446 | 168-1042-78 | 16V 0.1uF |
| C102 | 168-1032-55 | 0.01uF K | C242 | 042-1768-90 | 16V 10uF | C447 | 168-1022-55 | 1000pF K |
| C103 | 166-1011-50 | 100pF CH | C243 | 168-1022-55 | 1000pF K | C448 | 165-4763-15 | 6.3V 47uF |
| C104 | 166-2201-50 | 22pF CH | C251 | 168-1022-55 | 1000pF K | C449 | 168-2232-55 | 0.022uF K |
| C105 | 165-4743-65 | 50V 0.47uF | C252 | 168-1022-55 | 1000pF K | C450 | 165-1063-35 | 16V 10uF |
| C106 | 166-1011-50 | 100pF CH | C261 | 166-1011-50 | 100pF CH | C451 | 178-1052-78 | 1uF |
| C107 | 043-0319-51 | 200P | C291 | 168-2222-55 | 2200pF K | C452 | 168-1042-78 | 16V 0.1uF |
| C109 | 168-1022-55 | 1000pF K | C301 | 166-1011-50 | 100pF CH | C453 | 168-1042-78 | 16V 0.1uF |
| C110 | 165-1073-35 | 16V 100uF | C302 | 178-1052-78 | 1uF | C454 | 168-3332-78 | 0.033uF K |
| C111 | 168-1022-55 | 1000pF K | C304 | 168-1032-55 | 0.01uF K | C457 | 168-3322-55 | 3300pF K |
| C112 | 165-1073-35 | 16V 100uF | C305 | 168-1022-55 | 1000pF K | C458 | 168-3322-55 | 3300pF K |
| C113 | 165-1053-65 | 50V 1uF | C306 | 168-1042-78 | 16V 0.1uF | C459 | 178-1052-78 | 1uF |
| C117 | 168-1022-55 | 1000pF K | C307 | 165-4753-55 | 35V 4.7uF | C460 | 168-2222-55 | 2200pF K |
| C118 | 168-1022-55 | 1000pF K | C308 | 168-1022-55 | 1000pF K | C461 | 168-2222-55 | 2200pF K |
| C119 | 168-1022-55 | 1000pF K | C309 | 168-1022-55 | 1000pF K | C463 | 168-1042-78 | 16V 0.1uF |
| C120 | 168-1022-55 | 1000pF K | C310 | 168-1042-78 | 16V 0.1uF | C464 | 168-1042-78 | 16V 0.1uF |
| C121 | 168-1022-55 | 1000pF K | C311 | 042-1737-90 | 6.3V 1000uF M | C465 | 168-2232-55 | 0.022uF K |
| C123 | 165-4763-35 | 16V 47uF | C312 | 165-4753-55 | 35V 4.7uF | C467 | 168-2232-55 | 0.022uF K |
| C125 | 165-1063-35 | 16V 10uF | C313 | 042-1737-90 | 6.3V 1000uF M | C468 | 168-4712-55 | 470pF K |
| C126 | 168-1042-78 | 16V 0.1uF | C315 | 165-1063-35 | 16V 10uF | C472 | 168-2222-55 | 2200pF K |
| C127 | 165-1073-15 | 6.3V 100uF | C316 | 166-8096-50 | 8pF D CH | C473 | 168-2222-55 | 2200pF K |
| C128 | 168-1042-78 | 16V 0.1uF | C317 | 168-1042-78 | 16V 0.1uF | C474 | 165-2263-15 | 6.3V 22uF |
| C129 | 043-0554-90 | 25V 10uF | C319 | 165-1063-35 | 16V 10uF | C475 | 168-1022-55 | 1000pF K |
| C130 | 168-3332-78 | 0.033uF K | C320 | 168-1032-55 | 0.01uF K | C476 | 168-1042-78 | 16V 0.1uF |
| C131 | 165-1073-15 | 6.3V 100uF | C323 | 168-1032-55 | 0.01uF K | C477 | 042-1767-90 | 16V 470uF |
| C132 | 168-1042-78 | 16V 0.1uF | C371 | 168-1022-55 | 1000pF K | C478 | 168-1042-78 | 16V 0.1uF |
| C133 | 168-1022-55 | 1000pF K | C401 | 165-2253-65 | 50V 2.2uF | C479 | 042-2273-25 | 10V 220uF M |
| C135 | 043-0554-90 | 25V 10uF | C402 | 165-2253-65 | 50V 2.2uF | C480 | 168-1042-78 | 16V 0.1uF |
| C136 | 166-1011-50 | 100pF CH | C403 | 165-2253-65 | 50V 2.2uF | C505 | 165-2263-15 | 6.3V 22uF |
| C137 | 168-1042-78 | 16V 0.1uF | C404 | 165-2253-65 | 50V 2.2uF | C506 | 165-2263-15 | 6.3V 22uF |
| C138 | 168-1042-78 | 16V 0.1uF | C405 | 165-2253-65 | 50V 2.2uF | C507 | 165-2263-15 | 6.3V 22uF |
| C139 | 042-1767-90 | 16V 470uF | C406 | 165-2253-65 | 50V 2.2uF | C508 | 165-2263-15 | 6.3V 22uF |
| C140 | 043-0499-51 | 0.1uF | C407 | 165-2253-65 | 50V 2.2uF | C509 | 165-2253-65 | 50V 2.2uF |
| C201 | 178-1022-78 | 1000pF | C408 | 165-2253-65 | 50V 2.2uF | C510 | 165-2253-65 | 50V 2.2uF |
| C202 | 178-1022-78 | 1000pF | C409 | 165-4753-55 | 35V 4.7uF | C511 | 165-2253-65 | 50V 2.2uF |
| C204 | 168-1042-78 | 16V 0.1uF | C410 | 168-1042-78 | 16V 0.1uF | C512 | 165-2253-65 | 50V 2.2uF |
| C205 | 168-1042-78 | 16V 0.1uF | C411 | 166-1811-50 | 180pF CH | C513 | 166-5611-50 | 560pF CH |
| C206 | 168-1032-55 | 0.01uF K | C412 | 166-1007-50 | 10pF CH | C514 | 166-5611-50 | 560pF CH |
| C207 | 168-2212-55 | 220pF K | C413 | 166-1007-50 | 10pF CH | C515 | 166-5611-50 | 560pF CH |
| C208 | 166-1007-50 | 10pF CH | C414 | 168-1022-55 | 1000pF K | C516 | 166-5611-50 | 560pF CH |
| C209 | 168-1042-78 | 16V 0.1uF | C415 | 166-1511-50 | 150pF CH | C517 | 166-5611-50 | 560pF CH |
| C210 | 168-1042-78 | 16V 0.1uF | C416 | 166-1511-50 | 150pF CH | C518 | 166-5611-50 | 560pF CH |
| C211 | 166-1007-50 | 10pF CH | C417 | 166-1511-50 | 150pF CH | C519 | 166-1011-50 | 100pF CH |
| C212 | 168-1042-78 | 16V 0.1uF | C418 | 166-1511-50 | 150pF CH | C520 | 166-1011-50 | 100pF CH |
| C213 | 166-1011-50 | 100pF CH | C419 | 166-1511-50 | 150pF CH | C521 | 166-2201-50 | 22pF CH |
| C214 | 168-1042-78 | 16V 0.1uF | C420 | 166-1511-50 | 150pF CH | C522 | 166-2201-50 | 22pF CH |
| C215 | 168-1042-78 | 16V 0.1uF | C421 | 166-1511-50 | 150pF CH | C523 | 166-2201-50 | 22pF CH |
| C217 | 168-1042-78 | 16V 0.1uF | C422 | 166-1511-50 | 150pF CH | C524 | 166-2201-50 | 22pF CH |
| C218 | 168-4722-55 | 4700pF K | C423 | 165-4753-55 | 35V 4.7uF | C525 | 166-1011-50 | 100pF CH |
| C219 | 168-1042-78 | 16V 0.1uF | C424 | 168-1042-78 | 16V 0.1uF | C526 | 166-1011-50 | 100pF CH |
| C220 | 168-1042-78 | 16V 0.1uF | C425 | 165-4753-55 | 35V 4.7uF | C527 | 166-5611-50 | 560pF CH |
| C221 | 168-2212-55 | 220pF K | C426 | 168-1042-78 | 16V 0.1uF | C528 | 166-5611-50 | 560pF CH |
| C222 | 168-1042-78 | 16V 0.1uF | C427 | 168-1022-55 | 1000pF K | C529 | 166-5611-50 | 560pF CH |
| C223 | 168-1042-78 | 16V 0.1uF | C428 | 168-1022-55 | 1000pF K | C530 | 166-5611-50 | 560pF CH |
| C224 | 168-2222-55 | 2200pF K | C429 | 166-1011-50 | 100pF CH | C531 | 166-5611-50 | 560pF CH |
| C225 | 168-1042-78 | 16V 0.1uF | C430 | 168-1042-78 | 16V 0.1uF | C532 | 166-5611-50 | 560pF CH |
| C226 | 168-1042-78 | 16V 0.1uF | C431 | 168-1042-78 | 16V 0.1uF | C533 | 168-1042-78 | 16V 0.1uF |
| C227 | 165-1073-15 | 6.3V 100uF | C432 | 168-1042-78 | 16V 0.1uF | C534 | 165-1073-35 | 16V 100uF |
| C228 | 043-0554-90 | 25V 10uF | C433 | 168-5622-55 | 5600pF K | C535 | 165-2263-15 | 6.3V 22uF |
| C229 | 168-1042-78 | 16V 0.1uF | C434 | 168-5622-55 | 5600pF K | C538 | 168-5612-55 | 560pF Z |
| C230 | 168-1042-78 | 16V 0.1uF | C435 | 165-4753-55 | 35V 4.7uF | C541 | 168-1545-56 | 0.15uF Z |
| C231 | 165-1073-15 | 6.3V 100uF | C436 | 168-1042-78 | 16V 0.1uF | C542 | 168-1545-56 | 0.15uF Z |
| C232 | 165-4763-15 | 6.3V 47uF | C437 | 168-2232-55 | 0.022uF K | C543 | 168-1545-56 | 0.15uF Z |
| C233 | 168-1042-78 | 16V 0.1uF | C438 | 165-1073-15 | 6.3V 100uF | C544 | 168-1545-56 | 0.15uF Z |
| C234 | 165-4763-15 | 6.3V 47uF | C439 | 168-1042-78 | 16V 0.1uF | C545 | 165-1063-35 | 16V 10uF |
| C235 | 168-1042-78 | 16V 0.1uF | C440 | 043-0554-90 | 25V 10uF | C546 | 043-0499-51 | 0.1uF |
| C236 | 043-0554-90 | 25V 10uF | C441 | 168-1042-78 | 16V 0.1uF | C548 | 168-2222-55 | 2200pF K |
| C237 | 043-0554-90 | 25V 10uF | C442 | 168-4732-78 | 0.047uF K | C549 | 168-2222-55 | 2200pF K |
| C238 | 168-1042-78 | 16V 0.1uF | C443 | 043-0504-50 | 10V 4.7uF | C550 | 168-2222-55 | 2200pF K |
| C239 | 168-1042-78 | 16V 0.1uF | C444 | 165-2263-15 | 6.3V 22uF | C551 | 168-2222-55 | 2200pF K |

| REF No. | PART No. | DESCRIPTION |
|---------|-------------|--------------------------|
| C552 | 168-1032-55 | 0.01uF K |
| C553 | 043-0499-51 | 0.1uF |
| C554 | 168-2222-55 | 2200pF K |
| C555 | 178-2222-78 | 2200pF |
| C556 | 165-3353-65 | 50V 3.3uF |
| C557 | 168-2222-55 | 2200pF K |
| C558 | 178-2222-78 | 2200pF |
| C559 | 168-2222-55 | 2200pF K |
| C560 | 178-2222-78 | 2200pF |
| C561 | 168-2222-55 | 2200pF K |
| C562 | 178-2222-78 | 2200pF |
| C563 | 043-0499-51 | 0.1uF |
| C564 | 189-3383-31 | 16V 3300uF |
| D101 | 001-2403-90 | M1F60 |
| D102 | 001-2403-90 | M1F60 |
| D103 | 001-0516-90 | MA111 |
| D104 | 001-0529-47 | MA8091-M |
| D105 | 001-0516-90 | MA111 |
| D106 | 001-0516-90 | MA111 |
| D107 | 001-0529-28 | MA8051-L |
| D109 | 001-0529-48 | MA8091-H |
| D110 | 001-0529-50 | MA8100-M |
| D111 | 001-2403-90 | M1F60 |
| D112 | 001-2403-90 | M1F60 |
| D113 | 001-2403-90 | M1F60 |
| D201 | 001-0529-69 | MA8180-M |
| D202 | 001-0529-32 | MA8056-M |
| D203 | 001-0529-32 | MA8056-M |
| D205 | 001-0516-90 | MA111 |
| D206 | 001-0529-48 | MA8091-H |
| D209 | 001-0516-90 | MA111 |
| D210 | 001-0516-90 | MA111 |
| D211 | 001-2403-90 | M1F60 |
| D212 | 001-0516-90 | MA111 |
| D217 | 001-0535-90 | MA729 |
| D219 | 001-0529-45 | MA8082-H |
| D220 | 001-9210-50 | AVR- |
| D221 | 001-9210-50 | M1608C270MTAAD AVR- |
| D222 | 001-9210-50 | M1608C270MTAAD AVR- |
| D223 | 001-9210-50 | M1608C270MTAAD AVR- |
| D302 | 001-0504-42 | HZS7 C3L |
| D303 | 001-0529-43 | MA8082-L |
| D304 | 001-0516-90 | MA111 |
| D305 | 001-0529-48 | MA8091-H |
| D501 | 001-2403-90 | M1F60 |
| D502 | 001-0592-00 | RM4Z |
| IC101 | 051-3354-90 | BA33BC0WFP |
| IC102 | 051-3218-90 | TA76431F |
| IC103 | 051-3344-90 | BD3930FP-E2 |
| IC201 | 051-9318-10 | GLT4160L04P-60TC |
| IC202 | 051-6648-90 | HA12240FP-EL |
| IC203 | 051-3408-90 | BA2903FV |
| IC204 | 051-6711-20 | TC94A34FG-004 |
| IC205 | 051-3364-90 | NJU7771F15 |
| IC206 | 051-3364-90 | NJU7771F15 |
| IC207 | 051-3354-90 | BA33BC0WFP |
| IC301 | 051-5423-38 | BD6329G-TR |
| IC302 | 051-9423-90 | BR93L86REV-W E2 |
| IC303 | 052-3217-01 | uPD703272YGC363- 8EAA |
| IC304 | 051-5811-90 | L9637D |
| IC401 | 051-6706-30 | SAF7730HV/N317 |
| IC501 | 051-3057-90 | BA4558RFV |
| IC502 | 051-3019-90 | NJM2060V |
| IC503 | 051-3019-90 | NJM2060V |
| IC504 | 051-2042-00 | TA8275H |
| J201 | 074-1237-79 | SOCKET(29P) |
| J202 | 074-1168-14 | OUTLET SOCKET |
| J203 | 074-4017-12 | SOCKET(12P) |

| REF No. | PART No. | DESCRIPTION |
|---------|-------------|------------------|
| J501 | 074-4026-24 | SOCKET(24P) |
| L101 | 010-2003-04 | 30uH |
| L102 | 010-4011-20 | 2.5mH +/-3% |
| L103 | 010-3104-50 | 30 ohm/100MHz |
| L104 | 010-3406-66 | 22uH J |
| L106 | 010-3104-50 | 30 ohm/100MHz |
| L201 | 010-3105-62 | 1k ohm/100MHz |
| L202 | 010-3105-62 | 1k ohm/100MHz |
| L203 | 010-2285-51 | 120 ohm/100MHz |
| L204 | 010-3105-62 | 1k ohm/100MHz |
| L205 | 010-3104-50 | 30 ohm/100MHz |
| L206 | 010-3104-50 | 30 ohm/100MHz |
| L207 | 010-3105-62 | 1k ohm/100MHz |
| L211 | 010-3105-62 | 1k ohm/100MHz |
| L212 | 010-3105-62 | 1k ohm/100MHz |
| L301 | 010-3105-62 | 1k ohm/100MHz |
| L302 | 010-3406-66 | 22uH J |
| L303 | 010-3406-66 | 22uH J |
| L401 | 010-3105-62 | 1k ohm/100MHz |
| L402 | 010-3105-62 | 1k ohm/100MHz |
| L403 | 010-3105-62 | 1k ohm/100MHz |
| L404 | 010-3105-62 | 1k ohm/100MHz |
| L405 | 010-3105-62 | 1k ohm/100MHz |
| L406 | 010-3105-62 | 1k ohm/100MHz |
| L407 | 010-3105-62 | 1k ohm/100MHz |
| L408 | 010-3105-62 | 1k ohm/100MHz |
| L409 | 010-3105-62 | 1k ohm/100MHz |
| L410 | 010-3105-62 | 1k ohm/100MHz |
| L411 | 010-3105-62 | 1k ohm/100MHz |
| L412 | 010-3105-62 | 1k ohm/100MHz |
| L413 | 010-3105-62 | 1k ohm/100MHz |
| L414 | 010-3105-62 | 1k ohm/100MHz |
| L415 | 010-2198-51 | 0.22uH |
| L416 | 010-3105-62 | 1k ohm/100MHz |
| P301 | 076-3011-74 | 24P PLUG |
| Q101 | 192-4081-00 | 2SC4081 |
| Q102 | 192-4081-00 | 2SC4081 |
| Q103 | 125-2027-91 | DTC114EUA |
| Q104 | 190-1736-00 | 2SA1736 |
| Q105 | 103-2394-00 | 2SD2394 |
| Q106 | 103-2394-00 | 2SD2394 |
| Q107 | 193-1664-00 | 2SD1664 P,Q,R |
| Q108 | 192-4081-00 | 2SC4081 |
| Q109 | 125-2027-91 | DTC114EUA |
| Q110 | 191-1197-50 | 2SB1197K Q,R |
| Q113 | 125-2027-90 | DTC143EU |
| Q114 | 190-1736-00 | 2SA1736 |
| Q117 | 193-1664-00 | 2SD1664 P,Q,R |
| Q118 | 193-1664-00 | 2SD1664 P,Q,R |
| Q119 | 125-2027-91 | DTC114EUA |
| Q120 | 125-0021-91 | DTA114EUA |
| Q121 | 103-2394-00 | 2SD2394 |
| Q122 | 103-2394-00 | 2SD2394 |
| Q123 | 125-2027-91 | DTC114EUA |
| Q124 | 125-0021-91 | DTA114EUA |
| Q125 | 125-2027-90 | DTC143EU |
| Q126 | 125-0021-97 | DTA113ZU |
| Q201 | 193-1664-00 | 2SD1664 P,Q,R |
| Q202 | 190-1738-00 | 2SA1738 |
| Q203 | 192-2814-51 | 2SC2814-4/5-TB-E |
| Q204 | 192-2814-51 | 2SC2814-4/5-TB-E |
| Q205 | 190-1738-00 | 2SA1738 |
| Q206 | 125-2027-91 | DTC114EUA |
| Q207 | 190-1298-00 | 2SA1298 |
| Q210 | 192-4081-00 | 2SC4081 |
| Q211 | 103-2394-00 | 2SD2394 |
| Q212 | 125-2027-91 | DTC114EUA |
| Q213 | 125-0021-91 | DTA114EUA |
| Q303 | 192-4081-00 | 2SC4081 |
| Q304 | 192-4081-00 | 2SC4081 |
| Q306 | 192-2712-00 | 2SC2712 |
| Q401 | 125-7005-90 | PHK04P02T |
| Q501 | 125-2027-91 | DTC114EUA |

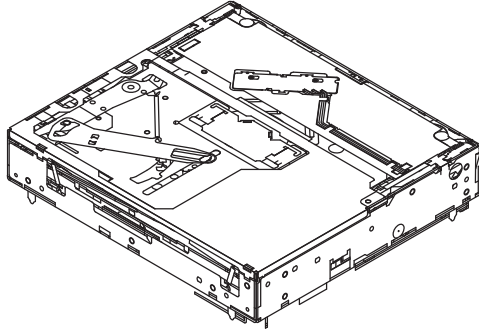
| REF No. | PART No. | DESCRIPTION |
|---------|-------------|-----------------|
| Q502 | 125-0021-91 | DTA114EUA |
| Q509 | 125-2027-91 | DTC114EUA |
| R101 | 119-2221-15 | 1/10W 2.2k ohm |
| R102 | 119-1031-15 | 1/10W 10k ohm |
| R104 | 119-1521-15 | 1/10W 1.5k ohm |
| R105 | 119-1031-15 | 1/10W 10k ohm |
| R106 | 116-1521-15 | 1/4W 1.5k ohm |
| R107 | 119-1031-15 | 1/10W 10k ohm |
| R108 | 116-1591-15 | 1/4W 1.5 ohm |
| R109 | 116-1591-15 | 1/4W 1.5 ohm |
| R110 | 116-1591-15 | 1/4W 1.5 ohm |
| R111 | 116-1591-15 | 1/4W 1.5 ohm |
| R112 | 119-4731-15 | 1/10W 47k ohm |
| R114 | 117-6821-15 | 1/8W 6.8k ohm |
| R115 | 119-1041-15 | 1/10W 100k ohm |
| R118 | 119-0000-05 | 1/10W 0 ohm JW |
| R119 | 117-5621-15 | 1/8W 5.6k ohm |
| R120 | 119-1011-15 | 1/10W 100 ohm |
| R121 | 119-1521-15 | 1/10W 1.5k ohm |
| R122 | 119-6821-15 | 1/10W 6.8k ohm |
| R123 | 119-6821-15 | 1/10W 6.8k ohm |
| R124 | 119-1011-15 | 1/10W 100 ohm |
| R126 | 119-1011-15 | 1/10W 100 ohm |
| R127 | 119-1031-15 | 1/10W 10k ohm |
| R128 | 119-1011-15 | 1/10W 100 ohm |
| R129 | 119-1011-15 | 1/10W 100 ohm |
| R130 | 119-1011-15 | 1/10W 100 ohm |
| R131 | 116-5691-15 | 1/4W 5.6 ohm |
| R132 | 119-1011-15 | 1/10W 100 ohm |
| R134 | 117-2721-15 | 1/8W 2.7k ohm |
| R138 | 119-1031-15 | 1/10W 10k ohm |
| R140 | 116-2291-15 | 1/4W 2.2 ohm |
| R141 | 116-2291-15 | 1/4W 2.2 ohm |
| R143 | 116-6811-15 | 1/4W 680 ohm |
| R144 | 119-3321-15 | 1/10W 3.3k ohm |
| R145 | 119-1031-15 | 1/10W 10k ohm |
| R146 | 119-1031-15 | 1/10W 10k ohm |
| R147 | 119-4791-15 | 1/10W 4.7 ohm |
| R148 | 119-1031-15 | 1/10W 10k ohm |
| R149 | 119-4791-15 | 1/10W 4.7 ohm |
| R150 | 116-1221-15 | 1/4W 1.2k ohm |
| R151 | 116-1221-15 | 1/4W 1.2k ohm |
| R152 | 116-1221-15 | 1/4W 1.2k ohm |
| R153 | 116-1221-15 | 1/4W 1.2k ohm |
| R154 | 117-8211-15 | 1/8W 820 ohm |
| R155 | 116-3011-15 | 1/4W 300 ohm |
| R156 | 116-3011-15 | 1/4W 300 ohm |
| R157 | 116-3011-15 | 1/4W 300 ohm |
| R158 | 116-3011-15 | 1/4W 300 ohm |
| R161 | 116-0000-05 | 1/4W 0 ohm |
| R201 | 116-1211-15 | 1/4W 120 ohm |
| R202 | 119-1031-15 | 1/10W 10k ohm |
| R203 | 119-3321-15 | 1/10W 3.3k ohm |
| R204 | 116-6801-15 | 1/4W 68 ohm |
| R205 | 116-1011-15 | 1/4W 100 ohm |
| R206 | 116-1011-15 | 1/4W 100 ohm |
| R207 | 119-1031-15 | 1/10W 10k ohm |
| R208 | 119-1031-15 | 1/10W 10k ohm |
| R209 | 119-4721-15 | 1/10W 4.7k ohm |
| R210 | 119-4721-15 | 1/10W 4.7k ohm |
| R211 | 116-1011-15 | 1/4W 100 ohm |
| R212 | 119-4721-15 | 1/10W 4.7k ohm |
| R213 | 119-4721-15 | 1/10W 4.7k ohm |
| R214 | 119-1521-15 | 1/10W 1.5k ohm |
| R215 | 116-8201-15 | 1/4W 82 ohm |
| R216 | 119-2251-15 | 1/10W 2.2M ohm |
| R217 | 032-0140-72 | 1/10W 470 ohm F |
| R219 | 119-1031-15 | 1/10W 10k ohm |
| R220 | 119-4721-15 | 1/10W 4.7k ohm |
| R221 | 119-2211-15 | 1/10W 220 ohm |
| R222 | 119-4721-15 | 1/10W 4.7k ohm |
| R223 | 119-5641-15 | 1/10W 560k ohm |
| R224 | 119-4721-15 | 1/10W 4.7k ohm |

| REF No. | PART No. | DESCRIPTION | REF No. | PART No. | DESCRIPTION | REF No. | PART No. | DESCRIPTION |
|---------|-------------|--|---------|-------------|-----------------|---------|-------------|-------------------------|
| R225 | 119-1021-15 | 1/10W 1k ohm | R346 | 119-1031-15 | 1/10W 10k ohm | R444 | 119-1031-15 | 1/10W 10k ohm |
| R226 | 119-4721-15 | 1/10W 4.7k ohm | R347 | 119-1031-15 | 1/10W 10k ohm | R446 | 119-1031-15 | 1/10W 10k ohm |
| R227 | 119-8221-15 | 1/10W 8.2k ohm | R349 | 119-1011-15 | 1/10W 100 ohm | R448 | 119-1001-15 | 1/10W 10 ohm |
| R228 | 119-1031-15 | 1/10W 10k ohm | R350 | 119-1011-15 | 1/10W 100 ohm | R450 | 119-1011-15 | 1/10W 100 ohm |
| R229 | 119-1031-15 | 1/10W 10k ohm | R351 | 119-1021-15 | 1/10W 1k ohm | R471 | 119-2201-15 | 1/10W 22 ohm |
| R230 | 119-1031-15 | 1/10W 10k ohm | R352 | 119-1021-15 | 1/10W 1k ohm | R501 | 119-1021-15 | 1/10W 1k ohm |
| R231 | 119-1021-15 | 1/10W 1k ohm | R353 | 119-1021-15 | 1/10W 1k ohm | R502 | 119-1021-15 | 1/10W 1k ohm |
| R232 | 119-1031-15 | 1/10W 10k ohm | R354 | 119-1021-15 | 1/10W 1k ohm | R503 | 119-1021-15 | 1/10W 1k ohm |
| R233 | 119-3331-15 | 1/10W 33k ohm | R356 | 119-1031-15 | 1/10W 10k ohm | R504 | 119-1021-15 | 1/10W 1k ohm |
| R234 | 116-1021-15 | 1/4W 1k ohm | R357 | 119-1031-15 | 1/10W 10k ohm | R505 | 119-4731-15 | 1/10W 47k ohm |
| R235 | 119-1031-15 | 1/10W 10k ohm | R358 | 119-3331-15 | 1/10W 33k ohm | R506 | 119-4731-15 | 1/10W 47k ohm |
| R236 | 119-1821-15 | 1/10W 1.8k ohm | R359 | 119-4731-15 | 1/10W 47k ohm | R507 | 119-4731-15 | 1/10W 47k ohm |
| R237 | 116-1521-15 | 1/4W 1.5k ohm | R360 | 119-4731-15 | 1/10W 47k ohm | R508 | 119-4731-15 | 1/10W 47k ohm |
| R238 | 119-1031-15 | 1/10W 10k ohm | R361 | 119-4731-15 | 1/10W 47k ohm | R509 | 119-0000-05 | 1/10W 0 ohm JW |
| R239 | 119-1031-15 | 1/10W 10k ohm | R362 | 119-4731-15 | 1/10W 47k ohm | R510 | 119-0000-05 | 1/10W 0 ohm JW |
| R240 | 119-3331-15 | 1/10W 33k ohm | R363 | 119-1031-15 | 1/10W 10k ohm | R511 | 119-0000-05 | 1/10W 0 ohm JW |
| R241 | 119-3321-15 | 1/10W 3.3k ohm | R364 | 119-1031-15 | 1/10W 10k ohm | R512 | 119-0000-05 | 1/10W 0 ohm JW |
| R242 | 119-1031-15 | 1/10W 10k ohm | R366 | 119-1031-15 | 1/10W 10k ohm | R513 | 119-6821-15 | 1/10W 6.8k ohm |
| R243 | 119-3321-15 | 1/10W 3.3k ohm | R370 | 119-1041-15 | 1/10W 100k ohm | R514 | 119-6821-15 | 1/10W 6.8k ohm |
| R245 | 119-3331-15 | 1/10W 33k ohm | R372 | 119-1041-15 | 1/10W 100k ohm | R515 | 119-6821-15 | 1/10W 6.8k ohm |
| R246 | 119-1031-15 | 1/10W 10k ohm | R375 | 119-0000-05 | 1/10W 0 ohm JW | R516 | 119-6821-15 | 1/10W 6.8k ohm |
| R248 | 119-3331-15 | 1/10W 33k ohm | R376 | 119-0000-05 | 1/10W 0 ohm JW | R517 | 119-6821-15 | 1/10W 6.8k ohm |
| R250 | 119-1031-15 | 1/10W 10k ohm | R378 | 116-0000-05 | 1/4W 0 ohm | R518 | 119-6821-15 | 1/10W 6.8k ohm |
| R251 | 116-6811-15 | 1/4W 680 ohm | R379 | 116-0000-05 | 1/4W 0 ohm | R519 | 119-1031-15 | 1/10W 10k ohm |
| R252 | 119-1821-15 | 1/10W 1.8k ohm | R380 | 119-3331-15 | 1/10W 33k ohm | R522 | 119-1031-15 | 1/10W 10k ohm |
| R253 | 119-1821-15 | 1/10W 1.8k ohm | R382 | 119-3331-15 | 1/10W 33k ohm | R523 | 119-1531-15 | 1/10W 15k ohm |
| R271 | 119-4731-15 | 1/10W 47k ohm | R383 | 119-3331-15 | 1/10W 33k ohm | R524 | 119-1531-15 | 1/10W 15k ohm |
| R272 | 119-4731-15 | 1/10W 47k ohm | R384 | 116-0000-05 | 1/4W 0 ohm | R525 | 119-1031-15 | 1/10W 10k ohm |
| R302 | 119-1031-15 | 1/10W 10k ohm | R386 | 119-3331-15 | 1/10W 33k ohm | R526 | 119-1031-15 | 1/10W 10k ohm |
| R304 | 119-1031-15 | 1/10W 10k ohm (FOR PH2910BG,H) (FOR PH2910BA,B,E,F) | R387 | 119-1031-15 | 1/10W 10k ohm | R529 | 119-0000-05 | 1/10W 0 ohm JW |
| R305 | 119-1041-15 | 1/10W 100k ohm | R391 | 119-1021-15 | 1/10W 1k ohm | R530 | 119-0000-05 | 1/10W 0 ohm JW |
| R309 | 119-3331-15 | 1/10W 33k ohm | R396 | 119-4721-15 | 1/10W 4.7k ohm | R531 | 119-0000-05 | 1/10W 0 ohm JW |
| R310 | 119-3331-15 | 1/10W 33k ohm | R397 | 119-4721-15 | 1/10W 4.7k ohm | R532 | 119-0000-05 | 1/10W 0 ohm JW |
| R311 | 119-3331-15 | 1/10W 33k ohm | R398 | 119-4721-15 | 1/10W 4.7k ohm | R533 | 119-1531-15 | 1/10W 15k ohm |
| R312 | 119-3331-15 | 1/10W 33k ohm | R399 | 119-4721-15 | 1/10W 4.7k ohm | R534 | 119-1531-15 | 1/10W 15k ohm |
| R313 | 119-1021-15 | 1/10W 1k ohm | R401 | 032-0140-52 | 1/10W 33k ohm F | R535 | 119-6821-15 | 1/10W 6.8k ohm |
| R314 | 119-1021-15 | 1/10W 1k ohm | R402 | 032-0140-52 | 1/10W 33k ohm F | R536 | 119-6821-15 | 1/10W 6.8k ohm |
| R315 | 119-1021-15 | 1/10W 1k ohm | R403 | 119-3331-15 | 1/10W 33k ohm | R537 | 119-4731-15 | 1/10W 47k ohm |
| R316 | 119-1021-15 | 1/10W 1k ohm | R404 | 119-3331-15 | 1/10W 33k ohm | R538 | 119-4731-15 | 1/10W 47k ohm |
| R317 | 119-4731-15 | 1/10W 47k ohm | R405 | 032-0140-52 | 1/10W 33k ohm F | R541 | 119-2221-15 | 1/10W 2.2k ohm |
| R319 | 119-0000-05 | 1/10W 0 ohm JW | R406 | 032-0140-52 | 1/10W 33k ohm F | R542 | 119-2221-15 | 1/10W 2.2k ohm |
| R321 | 119-2241-15 | 1/10W 220k ohm | R407 | 032-0140-52 | 1/10W 33k ohm F | R543 | 119-2221-15 | 1/10W 2.2k ohm |
| R322 | 119-3331-15 | 1/10W 33k ohm | R408 | 032-0140-52 | 1/10W 33k ohm F | R544 | 119-2221-15 | 1/10W 2.2k ohm |
| R323 | 119-1021-15 | 1/10W 1k ohm | R409 | 119-3331-15 | 1/10W 33k ohm | R545 | 119-1041-15 | 1/10W 100k ohm |
| R324 | 119-3331-15 | 1/10W 33k ohm | R410 | 119-3331-15 | 1/10W 33k ohm | R546 | 119-3321-15 | 1/10W 3.3k ohm |
| R325 | 119-3331-15 | 1/10W 33k ohm | R411 | 119-3331-15 | 1/10W 33k ohm | R547 | 119-1041-15 | 1/10W 100k ohm |
| R326 | 119-3331-15 | 1/10W 33k ohm | R412 | 119-3331-15 | 1/10W 33k ohm | R548 | 117-0000-05 | 1/8W 0 ohm JW |
| R327 | 119-3331-15 | 1/10W 33k ohm | R413 | 119-1031-15 | 1/10W 10k ohm | R549 | 119-1041-15 | 1/10W 100k ohm |
| R328 | 119-1031-15 | 1/10W 10k ohm | R414 | 119-1021-15 | 1/10W 1k ohm | R550 | 119-1041-15 | 1/10W 100k ohm |
| R329 | 119-3331-15 | 1/10W 33k ohm | R417 | 119-1031-15 | 1/10W 10k ohm | R551 | 116-1011-15 | 1/4W 100 ohm |
| R330 | 119-2221-15 | 1/10W 2.2k ohm | R418 | 119-1031-15 | 1/10W 10k ohm | R552 | 119-4721-15 | 1/10W 4.7k ohm |
| R331 | 119-3331-15 | 1/10W 33k ohm | R419 | 119-3331-15 | 1/10W 33k ohm | SUP101 | 060-0122-91 | DSP-141N-S00B |
| R332 | 119-6831-15 | 1/10W 68k ohm | R420 | 119-3331-15 | 1/10W 33k ohm | T501 | 009-0670-80 | 180uH |
| R333 | 119-6831-15 | 1/10W 68k ohm | R421 | 119-3331-15 | 1/10W 33k ohm | TC301 | 004-1583-52 | 20pF RED |
| R334 | 117-2221-15 | 1/8W 2.2k ohm | R423 | 119-3331-15 | 1/10W 33k ohm | TH101 | 002-0318-21 | THERMISTOR |
| R335 | 119-1021-15 | 1/10W 1k ohm | R425 | 119-1001-15 | 1/10W 10 ohm | TM101 | 073-0762-90 | TERMINAL |
| R336 | 119-1031-15 | 1/10W 10k ohm | R428 | 032-0140-52 | 1/10W 33k ohm F | TM102 | 073-0762-90 | TERMINAL |
| R337 | 119-3331-15 | 1/10W 33k ohm | R429 | 032-0140-52 | 1/10W 33k ohm F | TM103 | 073-0762-90 | TERMINAL |
| R338 | 119-1021-15 | 1/10W 1k ohm | R430 | 032-0140-52 | 1/10W 33k ohm F | TM201 | 073-0762-90 | TERMINAL |
| R339 | 119-3331-15 | 1/10W 33k ohm | R431 | 032-0140-52 | 1/10W 33k ohm F | TM202 | 073-0762-90 | TERMINAL |
| R340 | 119-3331-15 | 1/10W 33k ohm | R433 | 119-1031-15 | 1/10W 10k ohm | TM501 | 073-0762-90 | TERMINAL |
| R341 | 119-3331-15 | 1/10W 33k ohm | R434 | 119-1031-15 | 1/10W 10k ohm | X201 | 061-3534-90 | 16.92MHz |
| R342 | 119-4731-15 | 1/10W 47k ohm | R435 | 119-1011-15 | 1/10W 100 ohm | X301 | 061-3560-90 | 3.145728MHz AT-41CD2 |
| R343 | 119-1011-15 | 1/10W 100 ohm | R436 | 119-1011-15 | 1/10W 100 ohm | X401 | 061-3537-90 | 41.6MHz |
| R344 | 119-1011-15 | 1/10W 100 ohm | R438 | 119-1011-15 | 1/10W 100 ohm | PWB | 039-3102-02 | PWB(WITHOUT COMPONENTS) |
| R345 | 119-3331-15 | 1/10W 33k ohm | R439 | 119-1011-15 | 1/10W 100 ohm | | | |
| | | | R440 | 119-1011-15 | 1/10W 100 ohm | | | |
| | | | R441 | 119-1021-15 | 1/10W 1k ohm | | | |
| | | | R442 | 119-1021-15 | 1/10W 1k ohm | | | |

Switch PWB(B2) section

| REF No. | PART No. | DESCRIPTION | REF No. | PART No. | DESCRIPTION | REF No. | PART No. | DESCRIPTION |
|---------|-------------|-----------------|---------|-------------|----------------|---------|-------------|----------------------------|
| C902 | 166-2201-50 | 22pF CH | | | 8V70mA(BLU) | R916 | 119-0000-05 | 1/10W 0 ohm JW |
| C903 | 166-2201-50 | 22pF CH | PL905 | 017-0464-52 | PL-LAMP | R917 | 119-0000-05 | 1/10W 0 ohm JW |
| C904 | 043-0554-90 | 25V 10uF | | | 8V70mA(BLU) | R918 | 119-1811-15 | 1/10W 180 ohm |
| C905 | 168-1042-78 | 16V 0.1uF | PL906 | 017-0464-52 | PL-LAMP | R919 | 119-2721-15 | 1/10W 2.7k ohm |
| C906 | 166-2201-50 | 22pF CH | | | 8V70mA(BLU) | R920 | 119-4721-15 | 1/10W 4.7k ohm |
| C907 | 166-2201-50 | 22pF CH | PL907 | 017-0464-52 | PL-LAMP | R921 | 117-0000-05 | 1/8W 0 ohm JW |
| D901 | 001-0535-90 | MA729 | | | 8V70mA(BLU) | R930 | 119-1041-15 | 1/10W 100k ohm |
| D902 | 001-0535-90 | MA729 | PL908 | 017-0460-02 | PL-LAMP | R931 | 119-1041-15 | 1/10W 100k ohm |
| D903 | 001-0535-90 | MA729 | | | 8V70mA(BLU) | R932 | 119-1041-15 | 1/10W 100k ohm |
| D904 | 001-0535-90 | MA729 | PL909 | 017-0464-52 | PL-LAMP | R933 | 119-1041-15 | 1/10W 100k ohm |
| D905 | 001-0535-90 | MA729 | | | 8V70mA(BLU) | R934 | 119-1041-15 | 1/10W 100k ohm |
| D906 | 001-0535-90 | MA729 | PL910 | 017-0460-02 | PL-LAMP | S901 | 013-6202-52 | SKPMBJE010 |
| D907 | 001-0535-90 | MA729 | | | 8V70mA(BLU) | S902 | 013-6202-52 | SKPMBJE010 |
| D908 | 001-0535-90 | MA729 | PL911 | 017-0464-52 | PL-LAMP | S903 | 013-6202-52 | SKPMBJE010 |
| D909 | 001-0535-90 | MA729 | | | 8V70mA(BLU) | S904 | 013-6202-52 | SKPMBJE010 |
| D910 | 001-0535-90 | MA729 | PL912 | 017-0460-02 | PL-LAMP | S905 | 013-6202-52 | SKPMBJE010 |
| D911 | 001-0535-90 | MA729 | | | 8V70mA(BLU) | S906 | 013-6201-52 | SKPMAP010 |
| D912 | 001-0535-90 | MA729 | PL913 | 017-0464-52 | PL-LAMP | S907 | 013-6201-52 | SKPMAP010 |
| D913 | 001-0535-90 | MA729 | | | 8V70mA(BLU) | S910 | 013-6207-50 | SKPMAQE010 |
| D914 | 001-0535-90 | MA729 | PL914 | 017-0460-02 | PL-LAMP | S911 | 013-6201-52 | SKPMAP010 |
| D915 | 001-0535-90 | MA729 | | | 8V70mA(BLU) | S912 | 013-6207-50 | SKPMAQE010 |
| D916 | 001-0535-90 | MA729 | PL915 | 017-0464-52 | PL-LAMP | S913 | 013-6207-50 | SKPMAQE010 |
| D917 | 001-0535-90 | MA729 | | | 8V70mA(BLU) | S914 | 013-6201-52 | SKPMAP010 |
| D918 | 001-0535-90 | MA729 | PL916 | 017-0464-52 | PL-LAMP | S915 | 013-6202-52 | SKPMBJE010 |
| D919 | 001-0535-90 | MA729 | | | 8V70mA(BLU) | S916 | 013-6201-52 | SKPMAP010 |
| D920 | 001-0535-90 | MA729 | Q901 | 125-2027-91 | DTC114EUA | S917 | 013-6201-52 | SKPMAP010 |
| D921 | 001-0535-90 | MA729 | Q902 | 125-2027-91 | DTC114EUA | S920 | 013-6207-50 | SKPMAQE010 |
| D922 | 001-0535-90 | MA729 | R901 | 119-4711-15 | 1/10W 470 ohm | S921 | 013-6207-50 | SKPMAQE010 |
| D935 | 001-7103-91 | CL-191S-MG-D-T | R902 | 119-4711-15 | 1/10W 470 ohm | S922 | 013-6201-52 | SKPMAP010 |
| IC901 | 051-6652-90 | R8A66151SP-DF0Z | R903 | 119-4711-15 | 1/10W 470 ohm | S923 | 013-6207-50 | SKPMAQE010 |
| J901 | 074-1158-69 | 19P | R904 | 119-4711-15 | 1/10W 470 ohm | S924 | 013-6207-50 | SKPMAQE010 |
| J902 | 074-1158-69 | 19P | R905 | 119-4711-15 | 1/10W 470 ohm | S925 | 013-6201-52 | SKPMAP010 |
| J903 | 074-3014-74 | 24P | R906 | 119-1021-15 | 1/10W 1k ohm | S926 | 013-6202-52 | SKPMBJE010 |
| PL901 | 017-0460-02 | PL-LAMP | R907 | 119-1021-15 | 1/10W 1k ohm | S927 | 016-7003-00 | ROTARY-SW EC40 A15204 |
| | | 8V70mA(BLU) | R908 | 119-1021-15 | 1/10W 1k ohm | TM905 | 073-0786-90 | TERMINAL |
| PL902 | 017-0460-02 | PL-LAMP | R909 | 119-1021-15 | 1/10W 1k ohm | TM906 | 073-0786-90 | TERMINAL |
| | | 8V70mA(BLU) | R910 | 119-1021-15 | 1/10W 1k ohm | VR901 | 016-0018-20 | VR W/SHAFT |
| PL903 | 017-0464-52 | PL-LAMP | R913 | 119-0000-05 | 1/10W 0 ohm JW | PWB | 039-3101-00 | PWB(WITHOUT COMPONENTS) |
| | | 8V70mA(BLU) | R914 | 119-0000-05 | 1/10W 0 ohm JW | | | |
| PL904 | 017-0464-52 | PL-LAMP | R915 | 119-0000-05 | 1/10W 0 ohm JW | | | |

Service Manual



CD Mechanism

Model **929-5024-80**

ELECTRICAL PARTS LIST

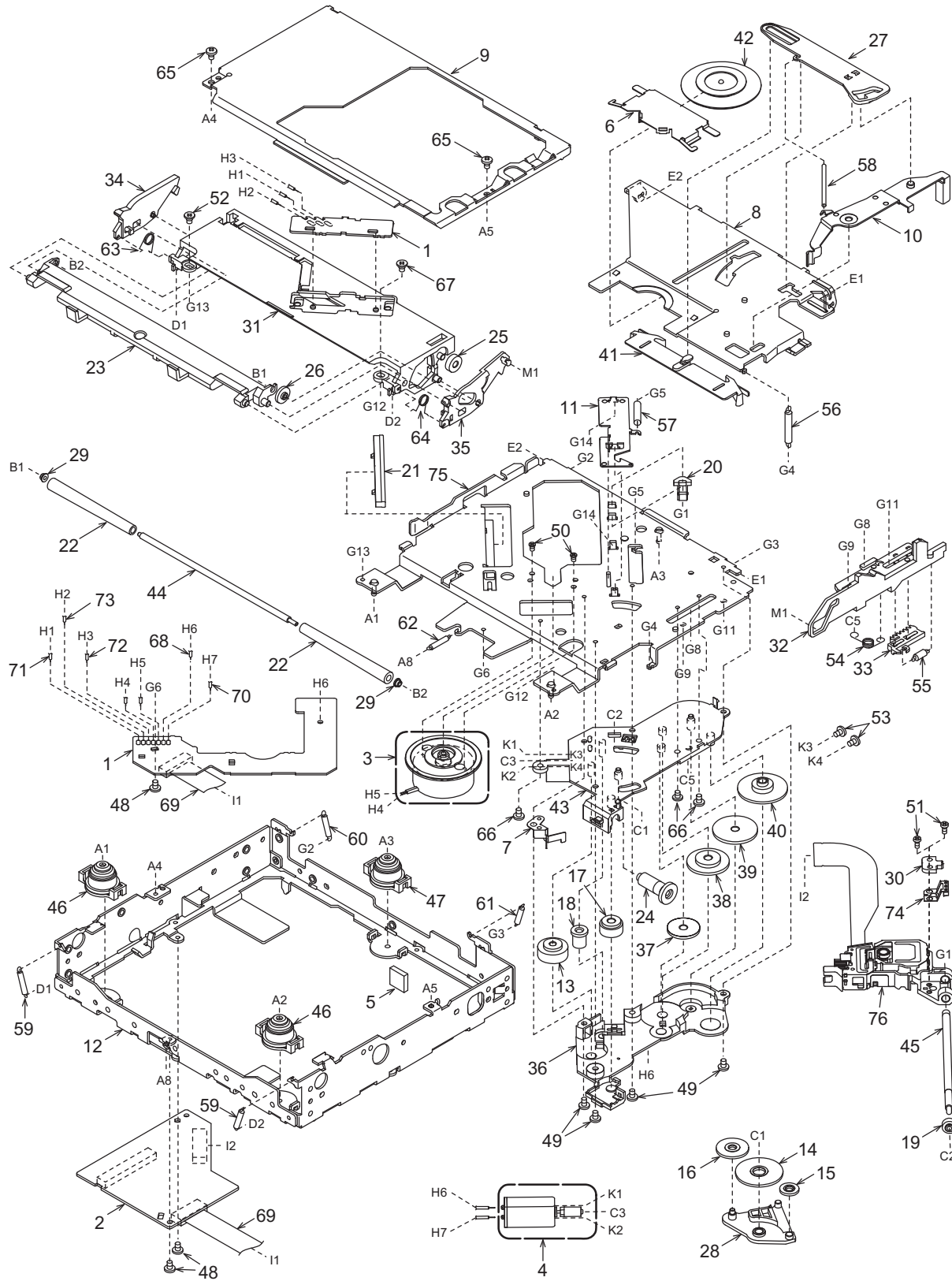
CD PWB(BM1) section

| REF No. | PART No. | DESCRIPTION | REF No. | PART No. | DESCRIPTION | REF No. | PART No. | DESCRIPTION |
|---------|-------------|-------------|---------|-------------|-------------------|---------|-------------|------------------------|
| C1 | 168-1042-78 | 16V 0.1uF | C30 | 168-1042-78 | 16V 0.1uF | R2 | 117-1001-15 | 1/8W 10 ohm |
| C2 | 163-1073-35 | 16V 100uF | C31 | 046-4712-58 | 470pF B | R3 | 033-2211-15 | 1/10W 220 ohm |
| C4 | 178-1052-78 | 1uF | C32 | 046-4712-58 | 470pF B | R5 | 033-0000-05 | 1/10W 0 ohm |
| C5 | 042-0560-85 | 6.3V 100uF | C33 | 168-1042-78 | 16V 0.1uF | R6 | 033-5621-15 | 1/10W 5.6k ohm |
| C6 | 178-1052-78 | 1uF | C34 | 168-4732-78 | 0.047uF K | R7 | 033-4731-15 | 1/10W 47k ohm |
| C8 | 178-1052-78 | 1uF | C35 | 168-4732-78 | 0.047uF K | R8 | 033-3341-15 | 1/10W 330k ohm |
| C10 | 168-1042-78 | 16V 0.1uF | C36 | 045-1007-50 | 10pF CH | R9 | 033-2231-15 | 1/10W 22k ohm |
| C11 | 168-1042-78 | 16V 0.1uF | C37 | 045-1007-50 | 10pF CH | R10 | 033-2231-15 | 1/10W 22k ohm |
| C12 | 045-4701-50 | 47pF CH | C38 | 168-1042-78 | 16V 0.1uF | R11 | 033-2731-15 | 1/10W 27k ohm |
| C13 | 046-1532-78 | 0.015uF B | C39 | 046-5622-58 | 5600pF B | R12 | 033-4731-15 | 1/10W 47k ohm |
| C14 | 168-1042-78 | 16V 0.1uF | C40 | 168-1042-78 | 16V 0.1uF | R13 | 033-2731-15 | 1/10W 27k ohm |
| C15 | 046-1032-78 | 0.01uF B | C42 | 176-6801-50 | 68pF CH | R14 | 033-1531-15 | 1/10W 15k ohm |
| C17 | 046-4722-58 | 4700pF B | C43 | 166-6801-50 | 68pF CH | R15 | 033-2731-15 | 1/10W 27k ohm |
| C18 | 046-1522-58 | 1500pF B | C44 | 176-6801-50 | 68pF CH | R16 | 033-8231-15 | 1/10W 82k ohm |
| C19 | 168-1042-78 | 16V 0.1uF | C45 | 176-6801-50 | 68pF CH | R17 | 033-2731-15 | 1/10W 27k ohm |
| C20 | 168-1042-78 | 16V 0.1uF | CCT1 | 050-0140-63 | 1/32W 47k ohm x4J | R18 | 033-8231-15 | 1/10W 82k ohm |
| C21 | 046-6812-58 | 680pF B | D1 | 001-0367-91 | 1SS226 | R19 | 033-1051-15 | 1/10W 1M ohm |
| C22 | 168-1042-78 | 16V 0.1uF | IC1 | 051-6079-90 | BA5830FP-E2 | R20 | 119-2221-15 | 1/10W 2.2k ohm |
| C23 | 046-1532-78 | 0.015uF B | IC2 | 051-6399-00 | TC94A15F | R22 | 119-0000-05 | 1/10W 0 ohm JW |
| C24 | 168-1042-78 | 16V 0.1uF | J101 | 074-1228-79 | 29P | TM1 | 073-0768-90 | TERMINAL |
| C25 | 045-6801-50 | 68pF CH | J201 | 074-1138-65 | 15P | X2 | 061-3534-90 | 16.92MHz |
| C26 | 168-1042-78 | 16V 0.1uF | J301 | 074-1138-60 | 10P | PWB | 039-3172-20 | PWB(WITHOUT COMPONENT) |
| C27 | 046-3332-78 | 0.033uF B | Q1 | 131-1188-50 | 2SB1188PQR | | | |
| C29 | 046-6822-58 | 6800pF B | R1 | 117-6811-15 | 1/8W 680 ohm | | | |

Sensor PWB(BM2) section

| REF No. | PART No. | DESCRIPTION | REF No. | PART No. | DESCRIPTION | REF No. | PART No. | DESCRIPTION |
|---------|-------------|-------------|---------|-------------|-------------|---------|-------------|------------------------|
| D1 | 001-7058-90 | AN1105W-RR | Q1 | 060-4015-91 | PS1192HB | S2 | 013-7413-50 | LIMIT |
| D2 | 001-7058-90 | AN1105W-RR | Q2 | 060-4015-91 | PS1192HB | PWB | 039-2675-20 | PWB(WITHOUT COMPONENT) |
| J1 | 074-1138-60 | 10P | S1 | 013-7414-50 | CHUCKING | | | |

EXPLODED VIEW/PARTS LIST



| NO. | PART NO. | DESCRIPTION | Q'TY | NO. | PART NO. | DESCRIPTION | Q'TY |
|-----|-------------|--------------------|------|-----|-------------|-----------------------|------|
| 1 | ----- | SENSOR PWB | 1 | 39 | 621-1750-20 | POWER GEAR C | 1 |
| 2 | ----- | MAIN PWB | 1 | 40 | 621-1751-20 | POWER GEAR D | 1 |
| 3 | SMA-182-100 | SPINDLE MOTOR-ASSY | 1 | 41 | 621-1752-20 | DISC STOPPER | 1 |
| 4 | SMA-183-100 | SLED MOTOR-ASSY | 1 | 42 | 621-1753-20 | CLAMPER RING | 1 |
| 5 | 345-5476-20 | CUSHION RUBBER | 1 | 43 | 621-1754-20 | GEAR BASE | 1 |
| 6 | 620-1023-23 | CLAMPER PLATE | 1 | 44 | 622-1571-21 | ROLLER SHAFT | 1 |
| 7 | 620-1026-21 | SPRING PLATE | 1 | 45 | 624-0020-00 | LEAD SCREW | 1 |
| 8 | 620-1596-23 | CLAMPER LINK | 1 | 46 | 629-0086-20 | DAMPER F | 2 |
| 9 | 620-1598-22 | UPPER CHASSIS | 1 | 47 | 629-0087-20 | DAMPER R | 1 |
| 10 | 620-1752-20 | SENSOR ARM | 1 | 48 | 716-1507-01 | SCREW(M2x3) | 3 |
| 11 | 620-1753-20 | ID-LOCK PLATE | 1 | 49 | 716-1670-01 | SCREW(M2x4) | 4 |
| 12 | 620-1754-20 | LOWER CHASSIS | 1 | 50 | 716-1733-01 | SCREW(M1.7x2.3) | 2 |
| 13 | 621-0608-21 | SECOND GEAR | 1 | 51 | 716-3469-01 | SCREW(1.7x4) | 2 |
| 14 | 621-0609-20 | BASE GEAR | 1 | 52 | 716-3473-01 | SCREW(M2x3) | 1 |
| 15 | 621-0610-20 | IDLE GEAR A | 1 | 53 | 716-3551-00 | SCREW(M1.4x2.5) | 2 |
| 16 | 621-0611-20 | IDLE GEAR B | 1 | 54 | 750-7865-20 | SHIFT SPRING | 1 |
| 17 | 621-0612-21 | ROLLER GEAR A | 1 | 55 | 750-7866-20 | RACK SPRING | 1 |
| 18 | 621-0620-20 | THREAD GEAR A | 1 | 56 | 750-7867-20 | CLAMPER SPRING | 1 |
| 19 | 621-0621-20 | THREAD GEAR B | 1 | 57 | 750-7868-20 | ID-LOCK SPRING | 1 |
| 20 | 621-0623-23 | LS-HOLDER | 1 | 58 | 750-7869-20 | SENSOR SPRING | 1 |
| 21 | 621-0624-22 | GUIDE RAIL | 1 | 59 | 750-7870-20 | DR-SPRING F | 2 |
| 22 | 621-0711-21 | LOADING ROLLER | 2 | 60 | 750-7871-20 | DR-SPRING RA | 1 |
| 23 | 621-0718-21 | ROLLER GUIDE | 1 | 61 | 750-7872-20 | DR-SPRING RB | 1 |
| 24 | 621-0719-20 | ROLLER GEAR B | 1 | 62 | 750-7873-20 | DR-SPRING C | 1 |
| 25 | 621-0720-20 | ROLLER GEAR C | 1 | 63 | 750-6797-20 | ROLLER SPRING L | 1 |
| 26 | 621-0721-20 | ROLLER GEAR D | 1 | 64 | 750-6798-20 | ROLLER SPRING R | 1 |
| 27 | 621-0728-20 | STOPPER LINK | 1 | 65 | 714-2003-8B | SCREW(M2x3) | 2 |
| 28 | 621-1719-20 | IDLE CASE | 1 | 66 | 780-2025-00 | SCREW(M2x2.5) | 3 |
| 29 | 621-1726-20 | ROLLER SLEEVE | 2 | 67 | 781-1730-00 | SCREW(M1.7x3) | 1 |
| 30 | 621-1729-20 | SH-BASE | 1 | 68 | 803-4906-60 | VINYL-COAT-WIRE(ORG) | 1 |
| 31 | 621-1742-20 | UPPER GUIDE | 1 | 69 | 816-2542-01 | FLAT WIRE | 1 |
| 32 | 621-1743-20 | SHIFT LEVER | 1 | 70 | 816-2590-00 | VINYL-COAT-WIRE(GRN) | 1 |
| 33 | 621-1744-20 | RACK | 1 | 71 | 816-2591-00 | VINYL-COAT-WIRE(YEL) | 1 |
| 34 | 621-1745-20 | LOCK ARM L | 1 | 72 | 816-2592-00 | VINYL-COAT-WIRE(BLUE) | 1 |
| 35 | 621-1746-20 | LOCK ARM R | 1 | 73 | 816-2593-00 | VINYL-COAT-WIRE(PUR) | 1 |
| 36 | 621-1747-20 | GEAR COVER | 1 | 74 | 966-1722-20 | SH-RACK-ASSY | 1 |
| 37 | 621-1748-20 | POWER GEAR A | 1 | 75 | 966-1743-21 | DRIVE-PLT-ASSY | 1 |
| 38 | 621-1749-20 | POWER GEAR B | 1 | 76 | 969-0071-30 | PICKUP-ASSY | 1 |