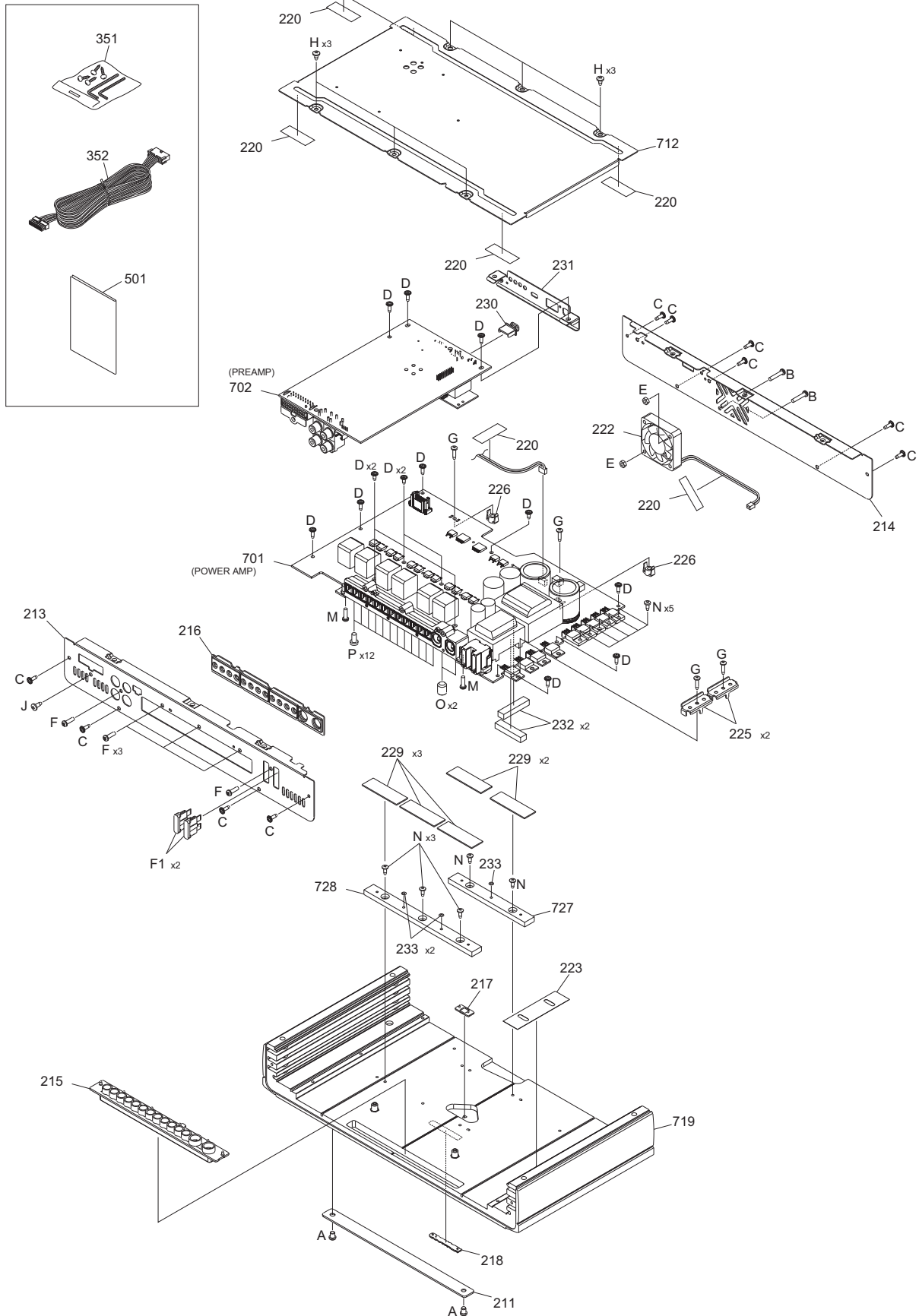


# EXPLODED VIEW

Block No.M1MM



Parts with the exploded numbers larger than 700 are not supplied.

MODEL	MARK
XR600-6DSP	

Safe	Symbol No.	Parts No.	Parts Name	Description	QTY	Local
------	------------	-----------	------------	-------------	-----	-------

EXPLODED VIEW (UNIT) <M1MM>

△	F1	F52-0046-05	FUSE		2	
	A	N0Y-0016-00	DRESSED SCREW		2	
	B	N09-6865-05	MACHINE SCREW		2	
	C	N09-6943-05	TAPTITE SCREW		10	
	D	N09-6952-05	TAPTITE SCREW		14	
	E	N10-2030-48	HEXAGON NUT-2		2	
	F	N80-3010-43	P.HEAD T.SCREW		5	
	G	N89-2612-48	BI.HEAD T.SCREW		4	
	H	N89-3006-48	BI.HEAD T.SCREW		6	
	J	N89-3008-43	BI.HEAD T.SCREW		1	
	M	N09-6447-05	TAPTITE SCREW		2	
	N	N89-2608-48	BI.HEAD T.SCREW		10	
	O	N09-6947-08	SET SCREW		2	
	P	N09-6948-08	SET SCREW		12	
	211	A21-6882-03	DRESSING PANEL		1	
	213	A6A-0034-10	PANEL		1	
	214	A6A-0036-10	PANEL		1	
	215	B0H-0024-00	ESCUTCHEON		1	
	216	B0H-0025-00	ESCUTCHEON		1	
	217	B19-2623-04	LIGHTING BOARD		1	
	218	B43-1553-04	BADGE		1	
	220	F09-1787-14	SHEET		6	
	222	F09-2974-05	FAN		1	
	223	F2A-0051-00	INS.SHEET		1	
	225	J2B-0315-00	MOUNTING		2	
	226	J30-1066-14	SPACER		2	
	229	F0C-0067-00	COOL SHEET		5	
	230	F09-2929-04	CAP		1	
	231	J2B-0349-00	MOUNTING		1	
	232	F0C-0037-00	COOL SHEET		2	
	233	J30-1107-04	SPACER		3	
	351	N9X-0032-00	SCREW/WRENCH		1	
	352	E3A-0418-00	CORD W.CON.		1	
	501	B5A-2053-00	INST.MANUAL		1	
	701	-----	POWER AMP PWB ASSY	NO SERVICE PART	1	
	702	-----	PREAMP PWB ASSY	NO SERVICE PART	1	
	712	-----	BOTTOM PLATE	NO SERVICE PART	1	
	719	-----	HEAT SINK ASSY	NO SERVICE PART	1	
	727	-----	HEAT SINK	NO SERVICE PART	1	
	728	-----	HEAT SINK	NO SERVICE PART	1	

MODEL	MARK
XR600-6DSP	

Safe	Symbol No.	Parts No.	Parts Name	Description	QTY	Local
<b>POWER AMP PWB ASSY (XK1-066K-00) &lt;XK1&gt;</b>						
	IC1	TL494IDR	ANALOGUE IC		1	
	IC3	BD3572YHFP-M	ANALOG IC		1	
	IC4	BA4564RFV	ANALOGUE IC		1	
	IC6	NJU7181RB1	MOS IC		1	
	IC7	BD3575YHFP-M	ANALOG IC		1	
	IC8	NJM2855DL1-05	BIPOLAR IC		1	
	IC101	BA2903F	MOS IC		1	
	IC102	BA2903F	MOS IC		1	
	IC103	BA2903F	MOS IC		1	
	IC107	BA10358F	ANALOGUE IC		1	
	IC301	BA4560RF	ANALOGUE IC		1	
	IC302	IRS2052MPBF	ANALOG IC		1	
	IC401	BA4560RF	ANALOGUE IC		1	
	IC402	IRS2052MPBF	ANALOG IC		1	
	IC501	BA4560RF	ANALOGUE IC		1	
	IC502	IRS2052MPBF	ANALOG IC		1	
	Q1	LSCR523UBFS8	TRANSISTOR		1	
	Q2	LSCR523UBFS8	TRANSISTOR		1	
	Q3	2SAR293P	TRANSISTOR		1	
	Q4	LTC014EUBFS8	DIGI TRANSISTOR		1	
	Q5	LTC014EUBFS8	DIGI TRANSISTOR		1	
	Q6	LTA014EUBFS8	DIGI TRANSISTOR		1	
	Q7	LSCR523UBFS8	TRANSISTOR		1	
	Q8	LSCR523UBFS8	TRANSISTOR		1	
	Q9	LSAR523UBFS8	TRANSISTOR		1	
	Q10	2SA1577	TRANSISTOR		1	
	Q11	2SA1577	TRANSISTOR		1	
	Q12	IRF3205PBF	FET		1	
	Q13	IRF3205PBF	FET		1	
	Q14	IRF3205PBF	FET		1	
	Q15	IRF3205PBF	FET		1	
	Q16	KTC2026-P	TRANSISTOR		1	
	Q17	KTA1046-P	TRANSISTOR		1	
	Q18	2SCR533D	TRANSISTOR		1	
	Q19	2SCR533D	TRANSISTOR		1	
	Q20	2SAR533D	TRANSISTOR		1	
	Q21	KTC2026-P	TRANSISTOR		1	
	Q22	2SCR533D	TRANSISTOR		1	
	Q23	LSCR523UBFS8	TRANSISTOR		1	
	Q24	LTA014EUBFS8	DIGI TRANSISTOR		1	
	Q25	LTC014EUBFS8	DIGI TRANSISTOR		1	
	Q26	LSAR523UBFS8	TRANSISTOR		1	
	Q27	LSAR523UBFS8	TRANSISTOR		1	
	Q101	IMT4	DUAL TRANSISTOR		1	
	Q102	IMT4	DUAL TRANSISTOR		1	
	Q103	IMT4	DUAL TRANSISTOR		1	
	Q104	IMT4	DUAL TRANSISTOR		1	
	Q105	IMT4	DUAL TRANSISTOR		1	
	Q106	IMT4	DUAL TRANSISTOR		1	
	Q107	LTC014EUBFS8	DIGI TRANSISTOR		1	
	Q114	LSCR523UBFS8	TRANSISTOR		1	
	Q115	LSCR523UBFS8	TRANSISTOR		1	
	Q116	LTC014EUBFS8	DIGI TRANSISTOR		1	
	Q117	LSCR523UBFS8	TRANSISTOR		1	
	Q118	LSCR523UBFS8	TRANSISTOR		1	
	Q194	LSCR523UBFS8	TRANSISTOR		1	
	Q197	LTC014EUBFS8	DIGI TRANSISTOR		1	
	Q198	LTA014EUBFS8	DIGI TRANSISTOR		1	
	Q199	2SD1766	TRANSISTOR		1	
	Q301	IRFR4615PBF	FET		1	
	Q302	IRFR4615PBF	FET		1	
	Q303	IRFR4615PBF	FET		1	
	Q304	IRFR4615PBF	FET		1	
	Q305	LSCR523UBFS8	TRANSISTOR		1	
	Q401	IRFR4615PBF	FET		1	
	Q402	IRFR4615PBF	FET		1	
	Q403	IRFR4615PBF	FET		1	
	Q404	IRFR4615PBF	FET		1	
	Q501	IRFR4615PBF	FET		1	
	Q502	IRFR4615PBF	FET		1	
	Q503	IRFR4615PBF	FET		1	
	Q504	IRFR4615PBF	FET		1	
	D1	DZ2J150M	ZENER DIODE		1	
	D2	DZ2J068M	ZENER DIODE		1	
	D3	DZ2J047M	ZENER DIODE		1	
	D4	DZ2J033M	ZENER DIODE		1	
	D5	DZ2J033M	ZENER DIODE		1	
	D6	DA2J101	DIODE		1	
	D7	DAP202UM	DIODE		1	
	D8	DAP202UM	DIODE		1	
	D9	B30-1743-05	LED(REDA LED)		1	
	D10	DA2J101	DIODE		1	
	D11	DA2J101	DIODE		1	
	D12	DAN202UM	DIODE		1	
	D13	DA2J101	DIODE		1	
	D14	DA2J101	DIODE		1	
	D15	FCH20A15	SCHOTTKY DIODE		1	
	D16	FRH20A15	SCHOTTKY DIODE		1	
	D17	DZ2J150M	ZENER DIODE		1	
	D18	DZ2J150M	ZENER DIODE		1	
	D19	DZ2J130M	ZENER DIODE		1	

MODEL	MARK
XR600-6DSP	

Safe	Symbol No.	Parts No.	Parts Name	Description	QTY	Local
	D20	DZ2J056M	ZENER DIODE		1	
	D21	DZ2J056M	ZENER DIODE		1	
	D22	DZ2J056M	ZENER DIODE		1	
	D24	1SR154-400	DIODE		1	
	D25	DA2J101	DIODE		1	
	D28	DZ2J150M	ZENER DIODE		1	
	D29	1SR154-400	DIODE		1	
	D30	DA2J101	DIODE		1	
	D31	DA2J101	DIODE		1	
	D32	DAN202UM	DIODE		1	
	D33	DZ2J033M	ZENER DIODE		1	
	D34	DZ2J033M	ZENER DIODE		1	
	D101	DA2J101	DIODE		1	
	D102	DA2J101	DIODE		1	
	D103	DA2J101	DIODE		1	
	D104	DA2J101	DIODE		1	
	D105	DA2J101	DIODE		1	
	D106	DA2J101	DIODE		1	
	D107	DZ2J120M	ZENER DIODE		1	
	D114	DZ2J075M	ZENER DIODE		1	
	D115	DA204U	MULTIPLE DIODE		1	
	D195	DA2J101	DIODE		1	
	D196	DA2J101	DIODE		1	
	D197	DZ2J033M	ZENER DIODE		1	
	D198	DZ2J120M	ZENER DIODE		1	
	D199	DA2J101	DIODE		1	
	D305	RF101L2S	DIODE		1	
	D306	RF101L2S	DIODE		1	
	D307	DA2J101	DIODE		1	
	D405	RF101L2S	DIODE		1	
	D406	RF101L2S	DIODE		1	
	D407	DA2J101	DIODE		1	
	D505	RF101L2S	DIODE		1	
	D506	RF101L2S	DIODE		1	
	D507	DA2J101	DIODE		1	
	C1	CK73EXR1E106K	C CAPACITOR	10uF 25V K	1	
	C2	CK73GBB1H103K	C CAPACITOR	0.01uF 50V K	1	
	C3	CK73GXR1C105K	C CAPACITOR	1uF 16V K	1	
	C4	CK73GBB1H102K	C CAPACITOR	1000pF 50V K	1	
	C5	CK730DH1H104K	C CAPACITOR	0.1uF 50V K	1	
	C6	CK730DH1H104K	C CAPACITOR	0.1uF 50V K	1	
	C7	CK730DH1H104K	C CAPACITOR	0.1uF 50V K	1	
	C8	CC73GCH1H102J	C CAPACITOR	1000pF 50V J	1	
	C9	CK73EXR0J476M	C CAPACITOR	47uF 6.3V M	1	
	C10	CK730DH1H104K	C CAPACITOR	0.1uF 50V K	1	
	C11	CK73GXR1C105K	C CAPACITOR	1uF 16V K	1	
	C12	CK73GBB1H103K	C CAPACITOR	0.01uF 50V K	1	
	C13	CK73GBB1H103K	C CAPACITOR	0.01uF 50V K	1	
	C14	CK73GBB1H103K	C CAPACITOR	0.01uF 50V K	1	
	C16	CD040CS1C222M	E CAPACITOR	2200uF 16V M	1	
	C17	CD040CS1C222M	E CAPACITOR	2200uF 16V M	1	
	C18	CK73GBB1H222K	C CAPACITOR	2200pF 50V K	1	
	C19	CK73GBB1H222K	C CAPACITOR	2200pF 50V K	1	
	C20	CK73GBB1H222K	C CAPACITOR	2200pF 50V K	1	
	C21	CK73GBB1H222K	C CAPACITOR	2200pF 50V K	1	
	C22	CD040BA1H272M	E CAPACITOR	2700uF 50V M	1	
	C23	CD040BA1H272M	E CAPACITOR	2700uF 50V M	1	
	C24	CD040CK1H182M	E CAPACITOR	1800uF 50V M	1	
	C25	CD040CK1H182M	E CAPACITOR	1800uF 50V M	1	
	C26	CK73FXR1C106K	C CAPACITOR	10uF 16V K	1	
	C27	CE32CL1C470M	E CAPACITOR	47uF 16V M	1	
	C28	CK73FXR1C106K	C CAPACITOR	10uF 16V K	1	
	C29	CE32CL1C470M	E CAPACITOR	47uF 16V M	1	
	C30	CK73FXR1C106K	C CAPACITOR	10uF 16V K	1	
	C31	CE32CL1C470M	E CAPACITOR	47uF 16V M	1	
	C32	CK73FXR1C106K	C CAPACITOR	10uF 16V K	1	
	C33	CE32CL1C470M	E CAPACITOR	47uF 16V M	1	
	C34	CK73FXR1C106K	C CAPACITOR	10uF 16V K	1	
	C35	CE32CL1C470M	E CAPACITOR	47uF 16V M	1	
	C36	CK73FXR1C106K	C CAPACITOR	10uF 16V K	1	
	C37	CE32CL1C470M	E CAPACITOR	47uF 16V M	1	
	C38	CK73FXR1C106K	C CAPACITOR	10uF 16V K	1	
	C39	CE32CL1C470M	E CAPACITOR	47uF 16V M	1	
	C47	CK73EXR1E106K	C CAPACITOR	10uF 25V K	1	
	C48	CK730DH1H104K	C CAPACITOR	0.1uF 50V K	1	
	C49	CE32CL1C470M	E CAPACITOR	47uF 16V M	1	
	C50	CK73EXR1E106K	C CAPACITOR	10uF 25V K	1	
	C51	CK730DH1H104K	C CAPACITOR	0.1uF 50V K	1	
	C52	CE32CL1C470M	E CAPACITOR	47uF 16V M	1	
	C53	CK73GXR1C334K	C CAPACITOR 2		1	
	C54	CE32CL1C470M	E CAPACITOR	47uF 16V M	1	
	C55	CK73GBB1H103K	C CAPACITOR	0.01uF 50V K	1	
	C56	CK73GBB1H102K	C CAPACITOR	1000pF 50V K	1	
	C57	CK73GXR1C105K	C CAPACITOR	1uF 16V K	1	
	C58	CK73GBB1H103K	C CAPACITOR	0.01uF 50V K	1	
	C83	CK73GBB1H103K	C CAPACITOR	0.01uF 50V K	1	
	C84	CK73GBB1H103K	C CAPACITOR	0.01uF 50V K	1	
	C85	CK73GBB1H103K	C CAPACITOR	0.01uF 50V K	1	
	C86	CK73GBB1H103K	C CAPACITOR	0.01uF 50V K	1	
	C87	CK73GBB1H103K	C CAPACITOR	0.01uF 50V K	1	
	C88	CK73GBB1H103K	C CAPACITOR	0.01uF 50V K	1	
	C89	CK73GBB1H103K	C CAPACITOR	0.01uF 50V K	1	

MODEL	MARK
XR600-6DSP	

Safe	Symbol No.	Parts No.	Parts Name	Description	QTY	Local
	C90	CK73GBB1H103K	C CAPACITOR	0.01uF 50V K	1	
	C91	CK73GBB1H103K	C CAPACITOR	0.01uF 50V K	1	
	C92	CK73GBB1H103K	C CAPACITOR	0.01uF 50V K	1	
	C93	CK73GBB1H103K	C CAPACITOR	0.01uF 50V K	1	
	C94	CK73GBB1H103K	C CAPACITOR	0.01uF 50V K	1	
	C95	CK73GBB1H103K	C CAPACITOR	0.01uF 50V K	1	
	C96	CK73GBB1H103K	C CAPACITOR	0.01uF 50V K	1	
	C97	CK73GBB1H103K	C CAPACITOR	0.01uF 50V K	1	
	C98	CK73GBB1H103K	C CAPACITOR	0.01uF 50V K	1	
	C99	CK73GBB1H103K	C CAPACITOR	0.01uF 50V K	1	
	C101	CK73GBB1H222K	C CAPACITOR	2200pF 50V K	1	
	C102	CK73GBB1H222K	C CAPACITOR	2200pF 50V K	1	
	C103	CK73GBB1H222K	C CAPACITOR	2200pF 50V K	1	
	C104	CK73GBB1H222K	C CAPACITOR	2200pF 50V K	1	
	C105	CK73GBB1H222K	C CAPACITOR	2200pF 50V K	1	
	C106	CK73GBB1H222K	C CAPACITOR	2200pF 50V K	1	
	C107	CK73GBB1H103K	C CAPACITOR	0.01uF 50V K	1	
	C108	CK73GBB1H103K	C CAPACITOR	0.01uF 50V K	1	
	C109	CK73GBB1H103K	C CAPACITOR	0.01uF 50V K	1	
	C113	CC73GCH1H331J	C CAPACITOR	330pF 50V J	1	
	C114	CK73GXR1C225K	C CAPACITOR	2.2uF 16V K	1	
	C115	CK73GBB1H103K	C CAPACITOR	0.01uF 50V K	1	
	C116	CK73GBB1H103K	C CAPACITOR	0.01uF 50V K	1	
	C117	CE32BY1C101M	E CAPACITOR	100uF 16V M	1	
	C184	CC730BE1H101J	C CAPACITOR	100pF 50V J	1	
	C185	CC730BE1H101J	C CAPACITOR	100pF 50V J	1	
	C186	CK73GBB1H103K	C CAPACITOR	0.01uF 50V K	1	
	C187	CK73GBB1H103K	C CAPACITOR	0.01uF 50V K	1	
	C188	CC730BE1H101J	C CAPACITOR	100pF 50V J	1	
	C191	CC730BE1H470J	C CAPACITOR 1		1	
	C192	CK73GXR1C474K	C CAPACITOR	0.47uF 16V K	1	
	C193	CK73FXR1C106K	C CAPACITOR	10uF 16V K	1	
	C194	CC730BE1H101J	C CAPACITOR	100pF 50V J	1	
	C195	CC730BE1H101J	C CAPACITOR	100pF 50V J	1	
	C196	CK73GXR1C225K	C CAPACITOR	2.2uF 16V K	1	
	C197	CK73FXR1C106K	C CAPACITOR	10uF 16V K	1	
	C198	CK73FXR1C106K	C CAPACITOR	10uF 16V K	1	
	C199	CK73GBB1H103K	C CAPACITOR	0.01uF 50V K	1	
	C301	CC73GCH1H680J	C CAPACITOR	68pF 50V J	1	
	C302	CC73GCH1H680J	C CAPACITOR	68pF 50V J	1	
	C305	CK73GBB1H103K	C CAPACITOR	0.01uF 50V K	1	
	C306	CK73GBB1H103K	C CAPACITOR	0.01uF 50V K	1	
	C307	CE32CL1C100M	E CAPACITOR	10uF 16V M	1	
	C308	CE32CL1C100M	E CAPACITOR	10uF 16V M	1	
	C309	CC73GCH1H102J	C CAPACITOR	1000pF 50V J	1	
	C310	CC73GCH1H102J	C CAPACITOR	1000pF 50V J	1	
	C311	CC73GCH1H102J	C CAPACITOR	1000pF 50V J	1	
	C312	CC73GCH1H102J	C CAPACITOR	1000pF 50V J	1	
	C313	CK73GXR0J106M	C CAPACITOR	10uF 6.3V M	1	
	C314	CK73GXR0J106M	C CAPACITOR	10uF 6.3V M	1	
	C315	CC73GCH1H102J	C CAPACITOR	1000pF 50V J	1	
	C316	CC73GCH1H102J	C CAPACITOR	1000pF 50V J	1	
	C317	CK73GBB1H103K	C CAPACITOR	0.01uF 50V K	1	
	C318	CK73FXR1C106K	C CAPACITOR	10uF 16V K	1	
	C319	CK73FXR1C106K	C CAPACITOR	10uF 16V K	1	
	C321	CK73EXR1C226K	C CAPACITOR	22uF 16V K	1	
	C322	CK73EXR1C226K	C CAPACITOR	22uF 16V K	1	
	C323	CE32BF1H220M	E CAPACITOR	22uF 50V M	1	
	C324	CE32BF1H220M	E CAPACITOR	22uF 50V M	1	
	C325	CE32BF1H220M	E CAPACITOR	22uF 50V M	1	
	C326	CE32BF1H220M	E CAPACITOR	22uF 50V M	1	
	C327	CK730DH1H104K	C CAPACITOR	0.1uF 50V K	1	
	C328	CK730DH1H104K	C CAPACITOR	0.1uF 50V K	1	
	C329	CK730DH1H104K	C CAPACITOR	0.1uF 50V K	1	
	C330	CK730DH1H104K	C CAPACITOR	0.1uF 50V K	1	
	C331	CK73FBB1H224K	C CAPACITOR	0.22uF 50V K	1	
	C332	CK73FBB1H224K	C CAPACITOR	0.22uF 50V K	1	
	C333	CK73FBB1H224K	C CAPACITOR	0.22uF 50V K	1	
	C334	CK73FBB1H224K	C CAPACITOR	0.22uF 50V K	1	
	C335	CK73GBB1H152K	C CAPACITOR	1500pF 50V K	1	
	C336	CK73GBB1H152K	C CAPACITOR	1500pF 50V K	1	
	C337	CK73GBB1H152K	C CAPACITOR	1500pF 50V K	1	
	C338	CK73GBB1H152K	C CAPACITOR	1500pF 50V K	1	
	C339	CK73GBB1H152K	C CAPACITOR	1500pF 50V K	1	
	C340	CK73GBB1H152K	C CAPACITOR	1500pF 50V K	1	
	C341	CK73GBB1H152K	C CAPACITOR	1500pF 50V K	1	
	C342	CK73GBB1H152K	C CAPACITOR	1500pF 50V K	1	
	C343	CC730BE1H470J	C CAPACITOR 1		1	
	C344	CC73GCH1H680J	C CAPACITOR	68pF 50V J	1	
	C345	CB73EAD1H334M	FILM CAPACITOR		1	
	C346	CB73EAD1H334M	FILM CAPACITOR		1	
	C347	CK73GBB1H683K	C CAPACITOR	0.068uF 50V K	1	
	C348	CK73GBB1H683K	C CAPACITOR	0.068uF 50V K	1	
	C349	CK73GBB1H103K	C CAPACITOR	0.01uF 50V K	1	
	C350	CK73GBB1H103K	C CAPACITOR	0.01uF 50V K	1	
	C351	CK730DH1H104K	C CAPACITOR	0.1uF 50V K	1	
	C352	CK73FXR1C106K	C CAPACITOR	10uF 16V K	1	
	C401	CC73GCH1H680J	C CAPACITOR	68pF 50V J	1	
	C402	CC73GCH1H680J	C CAPACITOR	68pF 50V J	1	
	C405	CK73GBB1H103K	C CAPACITOR	0.01uF 50V K	1	
	C406	CK73GBB1H103K	C CAPACITOR	0.01uF 50V K	1	
	C407	CE32CL1C100M	E CAPACITOR	10uF 16V M	1	
	C408	CE32CL1C100M	E CAPACITOR	10uF 16V M	1	

MODEL	MARK
XR600-6DSP	

Safe	Symbol No.	Parts No.	Parts Name	Description	QTY	Local
	C409	CC73GCH1H102J	C CAPACITOR	1000pF 50V J	1	
	C410	CC73GCH1H102J	C CAPACITOR	1000pF 50V J	1	
	C411	CC73GCH1H102J	C CAPACITOR	1000pF 50V J	1	
	C412	CC73GCH1H102J	C CAPACITOR	1000pF 50V J	1	
	C413	CK73GXR0J106M	C CAPACITOR	10uF 6.3V M	1	
	C414	CK73GXR0J106M	C CAPACITOR	10uF 6.3V M	1	
	C415	CC73GCH1H102J	C CAPACITOR	1000pF 50V J	1	
	C416	CC73GCH1H102J	C CAPACITOR	1000pF 50V J	1	
	C417	CK73GBB1H103K	C CAPACITOR	0.01uF 50V K	1	
	C418	CK73FXR1C106K	C CAPACITOR	10uF 16V K	1	
	C419	CK73FXR1C106K	C CAPACITOR	10uF 16V K	1	
	C421	CK73EXR1C226K	C CAPACITOR	22uF 16V K	1	
	C422	CK73EXR1C226K	C CAPACITOR	22uF 16V K	1	
	C423	CE32BF1H220M	E CAPACITOR	22uF 50V M	1	
	C424	CE32BF1H220M	E CAPACITOR	22uF 50V M	1	
	C425	CE32BF1H220M	E CAPACITOR	22uF 50V M	1	
	C426	CE32BF1H220M	E CAPACITOR	22uF 50V M	1	
	C427	CK730DH1H104K	C CAPACITOR	0.1uF 50V K	1	
	C428	CK730DH1H104K	C CAPACITOR	0.1uF 50V K	1	
	C429	CK730DH1H104K	C CAPACITOR	0.1uF 50V K	1	
	C430	CK730DH1H104K	C CAPACITOR	0.1uF 50V K	1	
	C431	CK73FBB1H224K	C CAPACITOR	0.22uF 50V K	1	
	C432	CK73FBB1H224K	C CAPACITOR	0.22uF 50V K	1	
	C433	CK73FBB1H224K	C CAPACITOR	0.22uF 50V K	1	
	C434	CK73FBB1H224K	C CAPACITOR	0.22uF 50V K	1	
	C435	CK73GBB1H152K	C CAPACITOR	1500pF 50V K	1	
	C436	CK73GBB1H152K	C CAPACITOR	1500pF 50V K	1	
	C437	CK73GBB1H152K	C CAPACITOR	1500pF 50V K	1	
	C438	CK73GBB1H152K	C CAPACITOR	1500pF 50V K	1	
	C439	CK73GBB1H152K	C CAPACITOR	1500pF 50V K	1	
	C440	CK73GBB1H152K	C CAPACITOR	1500pF 50V K	1	
	C441	CK73GBB1H152K	C CAPACITOR	1500pF 50V K	1	
	C442	CK73GBB1H152K	C CAPACITOR	1500pF 50V K	1	
	C443	CC730BE1H101J	C CAPACITOR	100pF 50V J	1	
	C444	CC73GCH1H121J	C CAPACITOR	120pF 50V J	1	
	C445	CB73EAD1H334M	FILM CAPACITOR		1	
	C446	CB73EAD1H334M	FILM CAPACITOR		1	
	C447	CK73GBB1H683K	C CAPACITOR	0.068uF 50V K	1	
	C448	CK73GBB1H683K	C CAPACITOR	0.068uF 50V K	1	
	C449	CK73GBB1H103K	C CAPACITOR	0.01uF 50V K	1	
	C450	CK73GBB1H103K	C CAPACITOR	0.01uF 50V K	1	
	C452	CK73FXR1C106K	C CAPACITOR	10uF 16V K	1	
	C501	CC73GCH1H680J	C CAPACITOR	68pF 50V J	1	
	C502	CC73GCH1H680J	C CAPACITOR	68pF 50V J	1	
	C505	CK73GBB1H103K	C CAPACITOR	0.01uF 50V K	1	
	C506	CK73GBB1H103K	C CAPACITOR	0.01uF 50V K	1	
	C507	CE32CL1C100M	E CAPACITOR	10uF 16V M	1	
	C508	CE32CL1C100M	E CAPACITOR	10uF 16V M	1	
	C509	CC73GCH1H102J	C CAPACITOR	1000pF 50V J	1	
	C510	CC73GCH1H102J	C CAPACITOR	1000pF 50V J	1	
	C511	CC73GCH1H102J	C CAPACITOR	1000pF 50V J	1	
	C512	CC73GCH1H102J	C CAPACITOR	1000pF 50V J	1	
	C513	CK73GXR0J106M	C CAPACITOR	10uF 6.3V M	1	
	C514	CK73GXR0J106M	C CAPACITOR	10uF 6.3V M	1	
	C515	CC73GCH1H102J	C CAPACITOR	1000pF 50V J	1	
	C516	CC73GCH1H102J	C CAPACITOR	1000pF 50V J	1	
	C517	CK73GBB1H103K	C CAPACITOR	0.01uF 50V K	1	
	C518	CK73FXR1C106K	C CAPACITOR	10uF 16V K	1	
	C519	CK73FXR1C106K	C CAPACITOR	10uF 16V K	1	
	C521	CK73EXR1C226K	C CAPACITOR	22uF 16V K	1	
	C522	CK73EXR1C226K	C CAPACITOR	22uF 16V K	1	
	C523	CE32BF1H220M	E CAPACITOR	22uF 50V M	1	
	C524	CE32BF1H220M	E CAPACITOR	22uF 50V M	1	
	C525	CE32BF1H220M	E CAPACITOR	22uF 50V M	1	
	C526	CE32BF1H220M	E CAPACITOR	22uF 50V M	1	
	C527	CK730DH1H104K	C CAPACITOR	0.1uF 50V K	1	
	C528	CK730DH1H104K	C CAPACITOR	0.1uF 50V K	1	
	C529	CK730DH1H104K	C CAPACITOR	0.1uF 50V K	1	
	C530	CK730DH1H104K	C CAPACITOR	0.1uF 50V K	1	
	C531	CK73FBB1H224K	C CAPACITOR	0.22uF 50V K	1	
	C532	CK73FBB1H224K	C CAPACITOR	0.22uF 50V K	1	
	C533	CK73FBB1H224K	C CAPACITOR	0.22uF 50V K	1	
	C534	CK73FBB1H224K	C CAPACITOR	0.22uF 50V K	1	
	C535	CK73GBB1H152K	C CAPACITOR	1500pF 50V K	1	
	C536	CK73GBB1H152K	C CAPACITOR	1500pF 50V K	1	
	C537	CK73GBB1H152K	C CAPACITOR	1500pF 50V K	1	
	C538	CK73GBB1H152K	C CAPACITOR	1500pF 50V K	1	
	C539	CK73GBB1H152K	C CAPACITOR	1500pF 50V K	1	
	C540	CK73GBB1H152K	C CAPACITOR	1500pF 50V K	1	
	C541	CK73GBB1H152K	C CAPACITOR	1500pF 50V K	1	
	C542	CK73GBB1H152K	C CAPACITOR	1500pF 50V K	1	
	C543	CC73GCH1H151J	C CAPACITOR	150pF 50V J	1	
	C544	CC73GCH1H151J	C CAPACITOR	150pF 50V J	1	
	C545	CB73EAD1H334M	FILM CAPACITOR		1	
	C546	CB73EAD1H334M	FILM CAPACITOR		1	
	C547	CK73GBB1H683K	C CAPACITOR	0.068uF 50V K	1	
	C548	CK73GBB1H683K	C CAPACITOR	0.068uF 50V K	1	
	C549	CK73GBB1H103K	C CAPACITOR	0.01uF 50V K	1	
	C550	CK73GBB1H103K	C CAPACITOR	0.01uF 50V K	1	
	C552	CK73FXR1C106K	C CAPACITOR	10uF 16V K	1	
	R1	RK73GB2A272J	MG RESISTOR	2.7kΩ 1/10W J	1	
	R2	RK73EB2E392J	MG RESISTOR	3.9kΩ 1/4W J	1	

MODEL	MARK
XR600-6DSP	

Safe	Symbol No.	Parts No.	Parts Name	Description	QTY	Local
R3		RK73GB2A152J	MG RESISTOR	1.5kΩ 1/10W J	1	
R4		RK73GB2A822J	MG RESISTOR	8.2kΩ 1/10W J	1	
R5		RK73GB2A682J	MG RESISTOR	6.8kΩ 1/10W J	1	
R6		RK73GB2A682J	MG RESISTOR	6.8kΩ 1/10W J	1	
R7		RK73GB2A392J	MG RESISTOR	3.9kΩ 1/10W J	1	
R8		RK73GB2A472J	MG RESISTOR	4.7kΩ 1/10W J	1	
R9		RK73GB2A472J	MG RESISTOR	4.7kΩ 1/10W J	1	
R10		RK73GB2A362J	MG RESISTOR	3.6kΩ 1/10W J	1	
R11		RK73GB2A362J	MG RESISTOR	3.6kΩ 1/10W J	1	
R12		RK73GB2A183J	MG RESISTOR	18kΩ 1/10W J	1	
R13		RK73GB2A104J	MG RESISTOR	100kΩ 1/10W J	1	
R14		RK73GB2A222J	MG RESISTOR	2.2kΩ 1/10W J	1	
R15		RK73GB2A102J	MG RESISTOR	1kΩ 1/10W J	1	
R16		RK73GB2A104J	MG RESISTOR	100kΩ 1/10W J	1	
R17		RK73GB2A472J	MG RESISTOR	4.7kΩ 1/10W J	1	
R18		RK73GB2A472J	MG RESISTOR	4.7kΩ 1/10W J	1	
R19		RK73GB2A472J	MG RESISTOR	4.7kΩ 1/10W J	1	
R20		RK73GB2A472J	MG RESISTOR	4.7kΩ 1/10W J	1	
R21		RK73GB2A363J	MG RESISTOR	36kΩ 1/10W J	1	
R22		RK73GB2A103J	MG RESISTOR	10kΩ 1/10W J	1	
R23		RK73GB2A104J	MG RESISTOR	100kΩ 1/10W J	1	
R24		RK73EB2E152J	MG RESISTOR	1.5kΩ 1/4W J	1	
R25		RK73GB2A472J	MG RESISTOR	4.7kΩ 1/10W J	1	
R26		RK73GB2A103J	MG RESISTOR	10kΩ 1/10W J	1	
R27		RK73GB2A273J	MG RESISTOR	27kΩ 1/10W J	1	
R28		RK73GB2A103J	MG RESISTOR	10kΩ 1/10W J	1	
R29		RK73GB2A472J	MG RESISTOR	4.7kΩ 1/10W J	1	
R30		RK73GB2A472J	MG RESISTOR	4.7kΩ 1/10W J	1	
R31		RK73GB2A103J	MG RESISTOR	10kΩ 1/10W J	1	
R32		RK73GB2A333J	MG RESISTOR	33kΩ 1/10W J	1	
R33		RK73GB2A164J	MG RESISTOR	160kΩ 1/10W J	1	
R34		RK73GB2A101J	MG RESISTOR	100Ω 1/10W J	1	
R35		RK73GB2A102J	MG RESISTOR	1kΩ 1/10W J	1	
R36		RK73GB2A682J	MG RESISTOR	6.8kΩ 1/10W J	1	
R37		RK73GB2A102J	MG RESISTOR	1kΩ 1/10W J	1	
R38		RK73GB2A102J	MG RESISTOR	1kΩ 1/10W J	1	
R39		RK73GB2A472J	MG RESISTOR	4.7kΩ 1/10W J	1	
R40		RK73GB2A472J	MG RESISTOR	4.7kΩ 1/10W J	1	
R41		RK73GB2A680J	MG RESISTOR	68Ω 1/10W J	1	
R42		RK73GB2A680J	MG RESISTOR	68Ω 1/10W J	1	
R43		RK73GB2A680J	MG RESISTOR	68Ω 1/10W J	1	
R44		RK73GB2A680J	MG RESISTOR	68Ω 1/10W J	1	
R45		RK73PB2H100J	MG RESISTOR	10Ω 1/2W J	1	
R46		RK73PB2H100J	MG RESISTOR	10Ω 1/2W J	1	
R47		RK73PB2H100J	MG RESISTOR	10Ω 1/2W J	1	
R48		RK73PB2H100J	MG RESISTOR	10Ω 1/2W J	1	
R49		RK73EB2E473J	MG RESISTOR	47kΩ 1/4W J	1	
R50		RK73EB2E473J	MG RESISTOR	47kΩ 1/4W J	1	
R51		RK73EB2E4R7J	MG RESISTOR	4.7Ω 1/4W J	1	
R52		RK73EB2E332J	MG RESISTOR	3.3kΩ 1/4W J	1	
R53		RK73GB2A101J	MG RESISTOR	100Ω 1/10W J	1	
R54		RK73EB2E4R7J	MG RESISTOR	4.7Ω 1/4W J	1	
R55		RK73EB2E332J	MG RESISTOR	3.3kΩ 1/4W J	1	
R56		RK73GB2A101J	MG RESISTOR	100Ω 1/10W J	1	
R57		RK73EB2E4R7J	MG RESISTOR	4.7Ω 1/4W J	1	
R58		RK73EB2E472J	MG RESISTOR	4.7kΩ 1/4W J	1	
R59		RK73GB2A101J	MG RESISTOR	100Ω 1/10W J	1	
R60		RK73PB2H470J	MG RESISTOR	47Ω 1/2W J	1	
R61		RK73EB2E332J	MG RESISTOR	3.3kΩ 1/4W J	1	
R62		RK73GB2A101J	MG RESISTOR	100Ω 1/10W J	1	
R63		RK73PB2H470J	MG RESISTOR	47Ω 1/2W J	1	
R64		RK73EB2E332J	MG RESISTOR	3.3kΩ 1/4W J	1	
R65		RK73GB2A101J	MG RESISTOR	100Ω 1/10W J	1	
R66		RK73PB2H4R7J	MG RESISTOR	4.7Ω 1/2W J	1	
R67		RK73GB2A101J	MG RESISTOR	100Ω 1/10W J	1	
R68		RK73PB2H4R7J	MG RESISTOR	4.7Ω 1/2W J	1	
R69		RK73EB2E222J	MG RESISTOR	2.2kΩ 1/4W J	1	
R70		RK73GB2A101J	MG RESISTOR	100Ω 1/10W J	1	
R75		RK73GB2A164J	MG RESISTOR	160kΩ 1/10W J	1	
R76		RK73GB2A303J	MG RESISTOR	30kΩ 1/10W J	1	
R77		RK73PB2H222J	MG RESISTOR	22Ω 1/2W J	1	
R78		RK73GB2A164J	MG RESISTOR	160kΩ 1/10W J	1	
R79		RK73GB2A303J	MG RESISTOR	30kΩ 1/10W J	1	
R80		RK73GB2A103J	MG RESISTOR	10kΩ 1/10W J	1	
R81		RK73GB2A472J	MG RESISTOR	4.7kΩ 1/10W J	1	
R82		RK73GB2A472J	MG RESISTOR	4.7kΩ 1/10W J	1	
R83		RK73GB2A472J	MG RESISTOR	4.7kΩ 1/10W J	1	
R84		RK73GB2A473J	MG RESISTOR	47kΩ 1/10W J	1	
R85		RK73GB2A331J	MG RESISTOR	330Ω 1/10W J	1	
R86		RK73GB2A100J	MG RESISTOR	10Ω 1/10W J	1	
R87		RK73GB2A821J	MG RESISTOR	820Ω 1/10W J	1	
R88		RK73GB2A472J	MG RESISTOR	4.7kΩ 1/10W J	1	
R89		RK73GB2A103J	MG RESISTOR	10kΩ 1/10W J	1	
R90		RK73GB2A153J	MG RESISTOR	15kΩ 1/10W J	1	
R91		RK73EB2E222J	MG RESISTOR	2.2kΩ 1/4W J	1	
R92		RK73EB2E222J	MG RESISTOR	2.2kΩ 1/4W J	1	
R101		R92-5211-05	MG RESISTOR	0.022Ω 1W	1	
R102		RK73GB2A104J	MG RESISTOR	100kΩ 1/10W J	1	
R103		RK73GB2A472J	MG RESISTOR	4.7kΩ 1/10W J	1	
R104		RK73GB2A104J	MG RESISTOR	100kΩ 1/10W J	1	
R105		RK73GB2A102J	MG RESISTOR	1kΩ 1/10W J	1	
R106		RK73GB2A333J	MG RESISTOR	33kΩ 1/10W J	1	

MODEL	MARK
XR600-6DSP	

Safe	Symbol No.	Parts No.	Parts Name	Description	QTY	Local
R107		R92-5211-05	MG RESISTOR	0.022Ω 1W	1	
R108		RK73GB2A104J	MG RESISTOR	100kΩ 1/10W J	1	
R109		RK73GB2A472J	MG RESISTOR	4.7kΩ 1/10W J	1	
R110		RK73GB2A104J	MG RESISTOR	100kΩ 1/10W J	1	
R111		RK73GB2A102J	MG RESISTOR	1kΩ 1/10W J	1	
R112		RK73GB2A333J	MG RESISTOR	33kΩ 1/10W J	1	
R113		R92-5211-05	MG RESISTOR	0.022Ω 1W	1	
R114		RK73GB2A104J	MG RESISTOR	100kΩ 1/10W J	1	
R115		RK73GB2A472J	MG RESISTOR	4.7kΩ 1/10W J	1	
R116		RK73GB2A104J	MG RESISTOR	100kΩ 1/10W J	1	
R117		RK73GB2A102J	MG RESISTOR	1kΩ 1/10W J	1	
R118		RK73GB2A333J	MG RESISTOR	33kΩ 1/10W J	1	
R119		R92-5211-05	MG RESISTOR	0.022Ω 1W	1	
R120		RK73GB2A104J	MG RESISTOR	100kΩ 1/10W J	1	
R121		RK73GB2A472J	MG RESISTOR	4.7kΩ 1/10W J	1	
R122		RK73GB2A104J	MG RESISTOR	100kΩ 1/10W J	1	
R123		RK73GB2A102J	MG RESISTOR	1kΩ 1/10W J	1	
R124		RK73GB2A333J	MG RESISTOR	33kΩ 1/10W J	1	
R125		R92-5211-05	MG RESISTOR	0.022Ω 1W	1	
R126		RK73GB2A104J	MG RESISTOR	100kΩ 1/10W J	1	
R127		RK73GB2A472J	MG RESISTOR	4.7kΩ 1/10W J	1	
R128		RK73GB2A104J	MG RESISTOR	100kΩ 1/10W J	1	
R129		RK73GB2A102J	MG RESISTOR	1kΩ 1/10W J	1	
R130		RK73GB2A333J	MG RESISTOR	33kΩ 1/10W J	1	
R131		R92-5211-05	MG RESISTOR	0.022Ω 1W	1	
R132		RK73GB2A104J	MG RESISTOR	100kΩ 1/10W J	1	
R133		RK73GB2A472J	MG RESISTOR	4.7kΩ 1/10W J	1	
R134		RK73GB2A104J	MG RESISTOR	100kΩ 1/10W J	1	
R135		RK73GB2A102J	MG RESISTOR	1kΩ 1/10W J	1	
R136		RK73GB2A333J	MG RESISTOR	33kΩ 1/10W J	1	
R137		RK73GB2A153J	MG RESISTOR	15kΩ 1/10W J	1	
R138		RK73GB2A432J	MG RESISTOR	4.3kΩ 1/10W J	1	
R141		RK73GB2A473J	MG RESISTOR	47kΩ 1/10W J	1	
R142		RK73GB2A473J	MG RESISTOR	47kΩ 1/10W J	1	
R143		RK73GB2A473J	MG RESISTOR	47kΩ 1/10W J	1	
R144		RK73GB2A473J	MG RESISTOR	47kΩ 1/10W J	1	
R145		RK73GB2A362J	MG RESISTOR	3.6kΩ 1/10W J	1	
R146		RK73GB2A362J	MG RESISTOR	3.6kΩ 1/10W J	1	
R147		RK73GB2A334J	MG RESISTOR	330kΩ 1/10W J	1	
R148		RK73GB2A222J	MG RESISTOR	2.2kΩ 1/10W J	1	
R149		RK73GB2A103J	MG RESISTOR	10kΩ 1/10W J	1	
R150		RK73GB2A473J	MG RESISTOR	47kΩ 1/10W J	1	
R151		RK73GB2A102J	MG RESISTOR	1kΩ 1/10W J	1	
R152		RK73GB2A393J	MG RESISTOR	39kΩ 1/10W J	1	
R153		RK73GB2A393J	MG RESISTOR	39kΩ 1/10W J	1	
R154		RK73GB2A393J	MG RESISTOR	39kΩ 1/10W J	1	
R155		RK73GB2A393J	MG RESISTOR	39kΩ 1/10W J	1	
R156		RK73GB2A332J	MG RESISTOR	3.3kΩ 1/10W J	1	
R157		RK73GB2A622J	MG RESISTOR	6.2kΩ 1/10W J	1	
R158		RK73GB2A102J	MG RESISTOR	1kΩ 1/10W J	1	
R159		RK73GB2A102J	MG RESISTOR	1kΩ 1/10W J	1	
R176		RK73GB2A101J	MG RESISTOR	100Ω 1/10W J	1	
R177		RK73GB2A103J	MG RESISTOR	10kΩ 1/10W J	1	
R178		RK73GB2A103J	MG RESISTOR	10kΩ 1/10W J	1	
R179		RK73GB2A103J	MG RESISTOR	10kΩ 1/10W J	1	
R180		RK73GB2A103J	MG RESISTOR	10kΩ 1/10W J	1	
R181		RK73GB2A103J	MG RESISTOR	10kΩ 1/10W J	1	
R182		RK73GB2A103J	MG RESISTOR	10kΩ 1/10W J	1	
R183		RK73GB2A103J	MG RESISTOR	10kΩ 1/10W J	1	
R184		RK73GB2A103J	MG RESISTOR	10kΩ 1/10W J	1	
R185		RK73GB2A123J	MG RESISTOR	12kΩ 1/10W J	1	
R186		RK73GB2A123J	MG RESISTOR	12kΩ 1/10W J	1	
R187		RK73GB2A123J	MG RESISTOR	12kΩ 1/10W J	1	
R188		RK73GB2A123J	MG RESISTOR	12kΩ 1/10W J	1	
R189		RK73GB2A123J	MG RESISTOR	12kΩ 1/10W J	1	
R190		RK73GB2A123J	MG RESISTOR	12kΩ 1/10W J	1	
R191		RK73GB2A104J	MG RESISTOR	100kΩ 1/10W J	1	
R192		RK73GB2A123J	MG RESISTOR	12kΩ 1/10W J	1	
R193		RK73GB2A392J	MG RESISTOR	3.9kΩ 1/10W J	1	
R194		RK73GB2A104J	MG RESISTOR	100kΩ 1/10W J	1	
R195		RK73GB2A103J	MG RESISTOR	10kΩ 1/10W J	1	
R196		RK73GB2A224J	MG RESISTOR	220kΩ 1/10W J	1	
R198		RK73GB2A681J	MG RESISTOR	680Ω 1/10W J	1	
R199		RK73EB2E4R7J	MG RESISTOR	4.7Ω 1/4W J	1	
R301		RK73GB2A103J	MG RESISTOR	10kΩ 1/10W J	1	
R302		RK73GB2A103J	MG RESISTOR	10kΩ 1/10W J	1	
R307		RK73GB2A133J	MG RESISTOR	13kΩ 1/10W J	1	
R308		RK73GB2A133J	MG RESISTOR	13kΩ 1/10W J	1	
R309		RK73GH2A332D	MG RESISTOR	3.3kΩ 1/10W D	1	
R310		RK73GH2A332D	MG RESISTOR	3.3kΩ 1/10W D	1	
R311		RK73GH2A473D	MG RESISTOR	47kΩ 1/10W D	1	
R312		RK73GH2A473D	MG RESISTOR	47kΩ 1/10W D	1	
R313		RK73GB2A1R0J	MG RESISTOR	1Ω 1/10W J	1	
R314		RK73GB2A1R0J	MG RESISTOR	1Ω 1/10W J	1	
R315		RK73GH2A302D	MG RESISTOR	3kΩ 1/10W D	1	
R316		RK73GH2A302D	MG RESISTOR	3kΩ 1/10W D	1	
R317		RK73GB2A103J	MG RESISTOR	10kΩ 1/10W J	1	
R318		RK73GB2A103J	MG RESISTOR	10kΩ 1/10W J	1	
R319		RK73GB2A103J	MG RESISTOR	10kΩ 1/10W J	1	
R320		RK73GB2A103J	MG RESISTOR	10kΩ 1/10W J	1	
R321		RK73GB2A102J	MG RESISTOR	1kΩ 1/10W J	1	
R322		RK73GB2A912J	MG RESISTOR	9.1kΩ 1/10W J	1	
R323		RK73GB2A822J	MG RESISTOR	8.2kΩ 1/10W J	1	

MODEL	MARK
XR600-6DSP	

Safe	Symbol No.	Parts No.	Parts Name	Description	QTY	Local
	R324	RK73GB2A471J	MG RESISTOR	470Ω 1/10W J	1	
	R325	RK73GB2A100J	MG RESISTOR	10Ω 1/10W J	1	
	R326	RK73GB2A100J	MG RESISTOR	10Ω 1/10W J	1	
	R327	RK73GB2A103J	MG RESISTOR	10kΩ 1/10W J	1	
	R328	RK73GB2A103J	MG RESISTOR	10kΩ 1/10W J	1	
	R329	RK73GB2A273J	MG RESISTOR	27kΩ 1/10W J	1	
	R330	RK73GB2A273J	MG RESISTOR	27kΩ 1/10W J	1	
	R331	RK73EB2E4R7J	MG RESISTOR	4.7Ω 1/4W J	1	
	R332	RK73EB2E4R7J	MG RESISTOR	4.7Ω 1/4W J	1	
	R333	RK73EB2E150J	MG RESISTOR	15Ω 1/4W J	1	
	R334	RK73EB2E150J	MG RESISTOR	15Ω 1/4W J	1	
	R335	RK73EB2E150J	MG RESISTOR	15Ω 1/4W J	1	
	R336	RK73EB2E150J	MG RESISTOR	15Ω 1/4W J	1	
	R337	RK73PB2H100J	MG RESISTOR	10Ω 1/2W J	1	
	R338	RK73PB2H100J	MG RESISTOR	10Ω 1/2W J	1	
	R339	RK73PB2H100J	MG RESISTOR	10Ω 1/2W J	1	
	R340	RK73PB2H100J	MG RESISTOR	10Ω 1/2W J	1	
	R341	RK73GH2A102D	MG RESISTOR	1kΩ 1/10W D	1	
	R342	RK73GH2A102D	MG RESISTOR	1kΩ 1/10W D	1	
	R343	RK73PB2H330J	MG RESISTOR	33Ω 1/2W J	1	
	R344	RK73PB2H330J	MG RESISTOR	33Ω 1/2W J	1	
	R345	RK73PB2H330J	MG RESISTOR	33Ω 1/2W J	1	
	R346	RK73PB2H330J	MG RESISTOR	33Ω 1/2W J	1	
	R347	RK73EB2E222J	MG RESISTOR	2.2kΩ 1/4W J	1	
	R348	RK73EB2E222J	MG RESISTOR	2.2kΩ 1/4W J	1	
	R349	RK73GB2A273J	MG RESISTOR	27kΩ 1/10W J	1	
	R350	RK73GB2A273J	MG RESISTOR	27kΩ 1/10W J	1	
	R351	RK73GB2A223J	MG RESISTOR	22kΩ 1/10W J	1	
	R352	RK73GB2A223J	MG RESISTOR	22kΩ 1/10W J	1	
	R353	RK73GB2A101J	MG RESISTOR	100Ω 1/10W J	1	
	R355	RK73PB2H330J	MG RESISTOR	33Ω 1/2W J	1	
	R356	RK73PB2H330J	MG RESISTOR	33Ω 1/2W J	1	
	R401	RK73GB2A103J	MG RESISTOR	10kΩ 1/10W J	1	
	R402	RK73GB2A103J	MG RESISTOR	10kΩ 1/10W J	1	
	R407	RK73GB2A133J	MG RESISTOR	13kΩ 1/10W J	1	
	R408	RK73GB2A133J	MG RESISTOR	13kΩ 1/10W J	1	
	R409	RK73GH2A332D	MG RESISTOR	3.3kΩ 1/10W D	1	
	R410	RK73GH2A332D	MG RESISTOR	3.3kΩ 1/10W D	1	
	R411	RK73GH2A473D	MG RESISTOR	47kΩ 1/10W D	1	
	R412	RK73GH2A473D	MG RESISTOR	47kΩ 1/10W D	1	
	R413	RK73GB2A1R0J	MG RESISTOR	1Ω 1/10W J	1	
	R414	RK73GB2A1R0J	MG RESISTOR	1Ω 1/10W J	1	
	R415	RK73GH2A362D	MG RESISTOR	3.6kΩ 1/10W D	1	
	R416	RK73GH2A272D	MG RESISTOR	2.7kΩ 1/10W D	1	
	R417	RK73GB2A103J	MG RESISTOR	10kΩ 1/10W J	1	
	R418	RK73GB2A103J	MG RESISTOR	10kΩ 1/10W J	1	
	R419	RK73GB2A103J	MG RESISTOR	10kΩ 1/10W J	1	
	R420	RK73GB2A103J	MG RESISTOR	10kΩ 1/10W J	1	
	R421	RK73GB2A102J	MG RESISTOR	1kΩ 1/10W J	1	
	R422	RK73GB2A912J	MG RESISTOR	9.1kΩ 1/10W J	1	
	R423	RK73GB2A822J	MG RESISTOR	8.2kΩ 1/10W J	1	
	R424	RK73GB2A471J	MG RESISTOR	470Ω 1/10W J	1	
	R425	RK73GB2A100J	MG RESISTOR	10Ω 1/10W J	1	
	R426	RK73GB2A100J	MG RESISTOR	10Ω 1/10W J	1	
	R427	RK73GB2A103J	MG RESISTOR	10kΩ 1/10W J	1	
	R428	RK73GB2A103J	MG RESISTOR	10kΩ 1/10W J	1	
	R429	RK73GB2A273J	MG RESISTOR	27kΩ 1/10W J	1	
	R430	RK73GB2A273J	MG RESISTOR	27kΩ 1/10W J	1	
	R431	RK73EB2E4R7J	MG RESISTOR	4.7Ω 1/4W J	1	
	R432	RK73EB2E4R7J	MG RESISTOR	4.7Ω 1/4W J	1	
	R433	RK73EB2E150J	MG RESISTOR	15Ω 1/4W J	1	
	R434	RK73EB2E150J	MG RESISTOR	15Ω 1/4W J	1	
	R435	RK73EB2E150J	MG RESISTOR	15Ω 1/4W J	1	
	R436	RK73EB2E150J	MG RESISTOR	15Ω 1/4W J	1	
	R437	RK73PB2H100J	MG RESISTOR	10Ω 1/2W J	1	
	R438	RK73PB2H100J	MG RESISTOR	10Ω 1/2W J	1	
	R439	RK73PB2H100J	MG RESISTOR	10Ω 1/2W J	1	
	R440	RK73PB2H100J	MG RESISTOR	10Ω 1/2W J	1	
	R441	RK73GH2A102D	MG RESISTOR	1kΩ 1/10W D	1	
	R442	RK73GH2A102D	MG RESISTOR	1kΩ 1/10W D	1	
	R443	RK73PB2H330J	MG RESISTOR	33Ω 1/2W J	1	
	R444	RK73PB2H330J	MG RESISTOR	33Ω 1/2W J	1	
	R445	RK73PB2H330J	MG RESISTOR	33Ω 1/2W J	1	
	R446	RK73PB2H330J	MG RESISTOR	33Ω 1/2W J	1	
	R447	RK73EB2E222J	MG RESISTOR	2.2kΩ 1/4W J	1	
	R448	RK73EB2E222J	MG RESISTOR	2.2kΩ 1/4W J	1	
	R449	RK73GB2A273J	MG RESISTOR	27kΩ 1/10W J	1	
	R450	RK73GB2A273J	MG RESISTOR	27kΩ 1/10W J	1	
	R453	RK73GB2A101J	MG RESISTOR	100Ω 1/10W J	1	
	R455	RK73PB2H330J	MG RESISTOR	33Ω 1/2W J	1	
	R456	RK73PB2H330J	MG RESISTOR	33Ω 1/2W J	1	
	R501	RK73GB2A103J	MG RESISTOR	10kΩ 1/10W J	1	
	R502	RK73GB2A103J	MG RESISTOR	10kΩ 1/10W J	1	
	R507	RK73GB2A133J	MG RESISTOR	13kΩ 1/10W J	1	
	R508	RK73GB2A133J	MG RESISTOR	13kΩ 1/10W J	1	
	R509	RK73GH2A332D	MG RESISTOR	3.3kΩ 1/10W D	1	
	R510	RK73GH2A332D	MG RESISTOR	3.3kΩ 1/10W D	1	
	R511	RK73GH2A473D	MG RESISTOR	47kΩ 1/10W D	1	
	R512	RK73GH2A473D	MG RESISTOR	47kΩ 1/10W D	1	
	R513	RK73GB2A1R0J	MG RESISTOR	1Ω 1/10W J	1	
	R514	RK73GB2A1R0J	MG RESISTOR	1Ω 1/10W J	1	
	R515	RK73GH2A222D	MG RESISTOR	2.2kΩ 1/10W D	1	

MODEL	MARK
XR600-6DSP	

Safe	Symbol No.	Parts No.	Parts Name	Description	QTY	Local
	R516	RK73GH2A122D	MG RESISTOR	1.2kΩ 1/10W D	1	
	R517	RK73GB2A103J	MG RESISTOR	10kΩ 1/10W J	1	
	R518	RK73GB2A103J	MG RESISTOR	10kΩ 1/10W J	1	
	R519	RK73GB2A103J	MG RESISTOR	10kΩ 1/10W J	1	
	R520	RK73GB2A103J	MG RESISTOR	10kΩ 1/10W J	1	
	R521	RK73GB2A102J	MG RESISTOR	1kΩ 1/10W J	1	
	R522	RK73GB2A912J	MG RESISTOR	9.1kΩ 1/10W J	1	
	R523	RK73GB2A822J	MG RESISTOR	8.2kΩ 1/10W J	1	
	R524	RK73GB2A471J	MG RESISTOR	470Ω 1/10W J	1	
	R525	RK73GB2A100J	MG RESISTOR	10Ω 1/10W J	1	
	R526	RK73GB2A100J	MG RESISTOR	10Ω 1/10W J	1	
	R527	RK73GB2A103J	MG RESISTOR	10kΩ 1/10W J	1	
	R528	RK73GB2A103J	MG RESISTOR	10kΩ 1/10W J	1	
	R529	RK73GB2A273J	MG RESISTOR	27kΩ 1/10W J	1	
	R530	RK73GB2A273J	MG RESISTOR	27kΩ 1/10W J	1	
	R531	RK73EB2E4R7J	MG RESISTOR	4.7Ω 1/4W J	1	
	R532	RK73EB2E4R7J	MG RESISTOR	4.7Ω 1/4W J	1	
	R533	RK73EB2E150J	MG RESISTOR	15Ω 1/4W J	1	
	R534	RK73EB2E150J	MG RESISTOR	15Ω 1/4W J	1	
	R535	RK73EB2E150J	MG RESISTOR	15Ω 1/4W J	1	
	R536	RK73EB2E150J	MG RESISTOR	15Ω 1/4W J	1	
	R537	RK73PB2H100J	MG RESISTOR	10Ω 1/2W J	1	
	R538	RK73PB2H100J	MG RESISTOR	10Ω 1/2W J	1	
	R539	RK73PB2H100J	MG RESISTOR	10Ω 1/2W J	1	
	R540	RK73PB2H100J	MG RESISTOR	10Ω 1/2W J	1	
	R541	RK73GH2A102D	MG RESISTOR	1kΩ 1/10W D	1	
	R542	RK73GH2A102D	MG RESISTOR	1kΩ 1/10W D	1	
	R543	RK73PB2H330J	MG RESISTOR	33Ω 1/2W J	1	
	R544	RK73PB2H330J	MG RESISTOR	33Ω 1/2W J	1	
	R545	RK73PB2H330J	MG RESISTOR	33Ω 1/2W J	1	
	R546	RK73PB2H330J	MG RESISTOR	33Ω 1/2W J	1	
	R547	RK73EB2E222J	MG RESISTOR	2.2kΩ 1/4W J	1	
	R548	RK73EB2E222J	MG RESISTOR	2.2kΩ 1/4W J	1	
	R549	RK73GB2A273J	MG RESISTOR	27kΩ 1/10W J	1	
	R550	RK73GB2A273J	MG RESISTOR	27kΩ 1/10W J	1	
	R553	RK73GB2A101J	MG RESISTOR	100Ω 1/10W J	1	
	R555	RK73PB2H330J	MG RESISTOR	33Ω 1/2W J	1	
	R556	RK73PB2H330J	MG RESISTOR	33Ω 1/2W J	1	
	L1	L33-2679-15	CHOKO COIL		1	
	L2	L19-0837-05	CONVERT TRANS		1	
	L301	L33-3210-05	CHOKO COIL	10UH	1	
	L302	L33-3210-05	CHOKO COIL	10UH	1	
	L401	L33-3210-05	CHOKO COIL	10UH	1	
	L402	L33-3210-05	CHOKO COIL	10UH	1	
	L501	L33-3210-05	CHOKO COIL	10UH	1	
	L502	L33-3210-05	CHOKO COIL	10UH	1	
	CN1	EB770BJ-0540A	B TO B CONNE		1	
	CN2	J13-0611-05	FUSE HOLDER		1	
	CN3	E41-1682-05	PIN ASSY		1	
△	F1	F53-0513-08	PATTERN FUSE	4A	1	
	J1	E7A-0013-00	SCREW TER.BOARD		1	
	TH1	NCP18WB473J0S	N THERMISTOR	47kΩ	1	
	TH2	NCP18WB473J0S	N THERMISTOR	47kΩ	1	
	TH3	NCP18WB473J0S	N THERMISTOR	47kΩ	1	
	TH4	NCP18WB473J0S	N THERMISTOR	47kΩ	1	
	W1	E3K-0290-00	WIRING HARNESS		1	
	PREAMP PWB ASSY (XKC-002K-00) <XKC>					
	IC2	BU33TD3WG	MOS IC		1	
	IC3	BA4564RFV	ANALOGUE IC		1	
	IC4	BA4564RFV	ANALOGUE IC		1	
	IC5	BA4564RFV	ANALOGUE IC		1	
	IC6	BA4564RFV	ANALOGUE IC		1	
	IC7	BA4560RF	ANALOGUE IC		1	
	IC8	BU33TD3WG	MOS IC		1	
	IC9	BD3570YHFP-M	ANALOG IC		1	
	IC10	BU1CTD3WG	MOS IC		1	
	IC11	BD00C0AWFP	MOS IC		1	
	IC12	TC7SH08FUJF	MOS IC		1	
	IC13	TC7SZ125FUJF	MOS IC		1	
	IC14	S726A0D216FP	MCU IC		1	
	IC15	W3F-0300-00	ROM IC		1	
	IC16	BU4228F	ANALOG IC		1	
	IC17	BA4564RFV	ANALOGUE IC		1	
	IC18	BA4564RFV	ANALOGUE IC		1	
	IC20	BA4560RF	ANALOGUE IC		1	
	IC21	AK4436VN	ANALOG IC	QFP	1	
	IC22	-----	ROM IC	NO SERVICE PART	1	
	IC23	NJM2855DL1-05	BIPOLAR IC		1	
	IC24	AK7738VQ	MOS IC		1	
	IC25	AK5534VN	ANALOG IC	QFP	1	
	IC26	BA4564RFV	ANALOGUE IC		1	
	IC27	NJM4580CV	ANALOG IC		1	
	IC28	NJM4580CV	ANALOG IC		1	
	IC29	NJM4580CV	ANALOG IC		1	
	IC30	NJM4580CV	ANALOG IC		1	
	Q1	2SD2351(W)	TRANSISTOR		1	
	Q2	2SD2351(W)	TRANSISTOR		1	
	Q3	2SD2351(W)	TRANSISTOR		1	
	Q4	2SD2351(W)	TRANSISTOR		1	
	Q5	LSCR523UBFS8	TRANSISTOR		1	
	Q6	LSAR523UBFS8	TRANSISTOR		1	
	Q8	LTC014YEBFS8	DIGI TRANSISTOR		1	

MODEL	MARK
XR600-6DSP	

Safe	Symbol No.	Parts No.	Parts Name	Description	QTY	Local
	Q9	LTC014YEBFS8	DIGI TRANSISTOR		1	
	Q10	LTC014YEBFS8	DIGI TRANSISTOR		1	
	Q11	LTC014YEBFS8	DIGI TRANSISTOR		1	
	Q12	LTC014YEBFS8	DIGI TRANSISTOR		1	
	Q13	LSAR523UBFS8	TRANSISTOR		1	
	Q14	LSCR523UBFS8	TRANSISTOR		1	
	Q15	LTC014YEBFS8	DIGI TRANSISTOR		1	
	Q16	LSAR523UBFS8	TRANSISTOR		1	
	Q17	LSCR523UBFS8	TRANSISTOR		1	
	Q30	LSCR523UBFS8	TRANSISTOR		1	
	Q31	LSCR523UBFS8	TRANSISTOR		1	
	Q32	LSCR523UBFS8	TRANSISTOR		1	
	Q33	LSCR523UBFS8	TRANSISTOR		1	
	Q34	LSCR523UBFS8	TRANSISTOR		1	
	Q35	LSCR523UBFS8	TRANSISTOR		1	
	Q36	LTA014EEBFS8	DIGI TRANSISTOR		1	
	Q37	LTC014EEBFS8	DIGI TRANSISTOR		1	
	Q38	LTA014EEBFS8	DIGI TRANSISTOR		1	
	Q39	LTC014EEBFS8	DIGI TRANSISTOR		1	
	D1	DAN202UM	DIODE		1	
	D2	DAP202UM	DIODE		1	
	D3	DA2J101	DIODE		1	
	D4	1SR154-400	DIODE		1	
	D5	DZ2J056M	ZENER DIODE		1	
	D6	DZ2J056M	ZENER DIODE		1	
	D7	DAN202UM	DIODE		1	
	D8	DAP202UM	DIODE		1	
	D9	DAN202UM	DIODE		1	
	D10	DAP202UM	DIODE		1	
	D11	DAN202UM	DIODE		1	
	D12	DAP202UM	DIODE		1	
	D13	DAN202UM	DIODE		1	
	D14	DAP202UM	DIODE		1	
	D15	DAN202UM	DIODE		1	
	D16	DAP202UM	DIODE		1	
	D17	DAN202UM	DIODE		1	
	D18	DAP202UM	DIODE		1	
	D19	DAN202UM	DIODE		1	
	D20	DAP202UM	DIODE		1	
	D21	DA2J101	DIODE		1	
	D22	DA2J101	DIODE		1	
	D23	DA2J101	DIODE		1	
	D24	SML-A12U8T	LED		1	
	D25	SMLA13BC8T	LED		1	
	D27	DA2J101	DIODE		1	
	D28	DA2J101	DIODE		1	
	D29	DA2J101	DIODE		1	
	D30	DA2J101	DIODE		1	
	D31	DA2J101	DIODE		1	
	D32	DA2J101	DIODE		1	
	D33	SML-A12M8T	LED		1	
	D34	AVRL1613R3FTA	VARIATOR		1	
	D35	AVRL1613R3FTA	VARIATOR		1	
	D36	DZ2J062M	ZENER DIODE		1	
	D38	DA2J101	DIODE		1	
	D39	DA2J101	DIODE		1	
	D40	DA2J101	DIODE		1	
	D41	DA2J101	DIODE		1	
	D42	DA2J101	DIODE		1	
	C3	CK73GXR1E474K	C CAPACITOR	0.47uF 25V K	1	
	C4	CK73GXR1C105K	C CAPACITOR	1uF 16V K	1	
	C5	CE32CL1C100M	E CAPACITOR	10uF 16V M	1	
	C6	CC730BE1H330J	C CAPACITOR	33pF 50V J	1	
	C7	CC73GCH1H151J	C CAPACITOR	150pF 50V J	1	
	C8	CC730BE1H330J	C CAPACITOR	33pF 50V J	1	
	C9	CC73GCH1H151J	C CAPACITOR	150pF 50V J	1	
	C10	CE32CL1C100M	E CAPACITOR	10uF 16V M	1	
	C12	CC730BE1H330J	C CAPACITOR	33pF 50V J	1	
	C14	CE32CL1C100M	E CAPACITOR	10uF 16V M	1	
	C16	CC730BE1H330J	C CAPACITOR	33pF 50V J	1	
	C17	CC73GCH1H151J	C CAPACITOR	150pF 50V J	1	
	C18	CC730BE1H330J	C CAPACITOR	33pF 50V J	1	
	C19	CC73GCH1H151J	C CAPACITOR	150pF 50V J	1	
	C20	CE32CL1C100M	E CAPACITOR	10uF 16V M	1	
	C22	CK73GGB1H103K	C CAPACITOR	0.01uF 50V K	1	
	C23	CK73GXR1E474K	C CAPACITOR	0.47uF 25V K	1	
	C24	CK73GGB1H103K	C CAPACITOR	0.01uF 50V K	1	
	C25	CE32CL1C100M	E CAPACITOR	10uF 16V M	1	
	C27	CC730BE1H330J	C CAPACITOR	33pF 50V J	1	
	C29	CC73GCH1H331J	C CAPACITOR	330pF 50V J	1	
	C30	CE32CL1C100M	E CAPACITOR	10uF 16V M	1	
	C31	CC730BE1H330J	C CAPACITOR	33pF 50V J	1	
	C32	CC73GCH1H151J	C CAPACITOR	150pF 50V J	1	
	C33	CC730BE1H330J	C CAPACITOR	33pF 50V J	1	
	C34	CC73GCH1H151J	C CAPACITOR	150pF 50V J	1	
	C35	CE32CL1C100M	E CAPACITOR	10uF 16V M	1	
	C36	CK73GGB1H103K	C CAPACITOR	0.01uF 50V K	1	
	C37	CE32CL1C100M	E CAPACITOR	10uF 16V M	1	
	C39	CC730BE1H330J	C CAPACITOR	33pF 50V J	1	
	C41	CK73GXR1C105K	C CAPACITOR	1uF 16V K	1	
	C42	CK73FXR1C106K	C CAPACITOR	10uF 16V K	1	
	C43	CK73GGB1H103K	C CAPACITOR	0.01uF 50V K	1	

MODEL	MARK
XR600-6DSP	

Safe	Symbol No.	Parts No.	Parts Name	Description	QTY	Local
C44		CE32CL1C100M	E CAPACITOR	10uF 16V M	1	
C45		CK73GBB1H103K	C CAPACITOR	0.01uF 50V K	1	
C46		CK73GBB1H103K	C CAPACITOR	0.01uF 50V K	1	
C47		CK73GBB1H103K	C CAPACITOR	0.01uF 50V K	1	
C48		CC730BE1H330J	C CAPACITOR	33pF 50V J	1	
C49		CC73GCH1H151J	C CAPACITOR	150pF 50V J	1	
C50		CC730BE1H330J	C CAPACITOR	33pF 50V J	1	
C51		CC73GCH1H151J	C CAPACITOR	150pF 50V J	1	
C52		CE32CL1C100M	E CAPACITOR	10uF 16V M	1	
C53		CE32CL1C100M	E CAPACITOR	10uF 16V M	1	
C55		CC730BE1H330J	C CAPACITOR	33pF 50V J	1	
C57		CC73GCH1H331J	C CAPACITOR	330pF 50V J	1	
C58		CC73GCH1H331J	C CAPACITOR	330pF 50V J	1	
C59		CK73GBB1H103K	C CAPACITOR	0.01uF 50V K	1	
C60		CE32CL1C100M	E CAPACITOR	10uF 16V M	1	
C61		CC730BE1H330J	C CAPACITOR	33pF 50V J	1	
C62		CC73GCH1H560J	C CAPACITOR	56pF 50V J	1	
C63		CC730BE1H330J	C CAPACITOR	33pF 50V J	1	
C64		CC73GCH1H560J	C CAPACITOR	56pF 50V J	1	
C65		CK73GBB1H103K	C CAPACITOR	0.01uF 50V K	1	
C66		CK73GBB1H103K	C CAPACITOR	0.01uF 50V K	1	
C67		CK73GBB1H103K	C CAPACITOR	0.01uF 50V K	1	
C68		CC73GCH1H331J	C CAPACITOR	330pF 50V J	1	
C69		CE32CL1C100M	E CAPACITOR	10uF 16V M	1	
C70		CE32CL1C100M	E CAPACITOR	10uF 16V M	1	
C72		CC730BE1H330J	C CAPACITOR	33pF 50V J	1	
C73		CE32BF0J101M	E CAPACITOR	100uF 6.3V M	1	
C74		CK730DH1H104K	C CAPACITOR	0.1uF 50V K	1	
C75		CK73FXR1C106K	C CAPACITOR	10uF 16V K	1	
C76		CK73FXR1C106K	C CAPACITOR	10uF 16V K	1	
C77		CC730BE1H101J	C CAPACITOR	100pF 50V J	1	
C78		CK73FXR1C106K	C CAPACITOR	10uF 16V K	1	
C79		CK73FXR1C106K	C CAPACITOR	10uF 16V K	1	
C82		CK73GBB1H103K	C CAPACITOR	0.01uF 50V K	1	
C83		CK73GBB1H103K	C CAPACITOR	0.01uF 50V K	1	
C85		CK730DH1H104K	C CAPACITOR	0.1uF 50V K	1	
C86		CK730DH1H104K	C CAPACITOR	0.1uF 50V K	1	
C87		CK730DH1H104K	C CAPACITOR	0.1uF 50V K	1	
C88		CK730DH1H104K	C CAPACITOR	0.1uF 50V K	1	
C89		CK730DH1H104K	C CAPACITOR	0.1uF 50V K	1	
C90		CK730DH1H104K	C CAPACITOR	0.1uF 50V K	1	
C91		CK730DH1H104K	C CAPACITOR	0.1uF 50V K	1	
C92		CC73GCH1H090D	C CAPACITOR	9pF 50V D	1	
C93		CC73GCH1H090D	C CAPACITOR	9pF 50V D	1	
C94		CK730DH1H104K	C CAPACITOR	0.1uF 50V K	1	
C95		CK730DH1H104K	C CAPACITOR	0.1uF 50V K	1	
C96		CK730DH1H104K	C CAPACITOR	0.1uF 50V K	1	
C97		CK730DH1H104K	C CAPACITOR	0.1uF 50V K	1	
C98		CK730DH1H104K	C CAPACITOR	0.1uF 50V K	1	
C99		CK730DH1H104K	C CAPACITOR	0.1uF 50V K	1	
C100		CK730DH1H104K	C CAPACITOR	0.1uF 50V K	1	
C101		CK730DH1H104K	C CAPACITOR	0.1uF 50V K	1	
C102		CK73GBB1H472K	C CAPACITOR	4700pF 50V K	1	
C103		CK73GBB1H682K	C CAPACITOR	6800pF 50V K	1	
C104		CK730DH1H104K	C CAPACITOR	0.1uF 50V K	1	
C105		CK730DH1H104K	C CAPACITOR	0.1uF 50V K	1	
C106		CC73GCH1H471J	C CAPACITOR	470pF 50V J	1	
C107		CE32CL1C100M	E CAPACITOR	10uF 16V M	1	
C108		CC73GCH1H471J	C CAPACITOR	470pF 50V J	1	
C109		CK730DH1H104K	C CAPACITOR	0.1uF 50V K	1	
C110		CK73FBB1A225K	C CAPACITOR	2.2uF 10V K	1	
C111		CC73GCH1H120J	C CAPACITOR	12pF 50V J	1	
C112		CE32CL1C100M	E CAPACITOR	10uF 16V M	1	
C113		CC73GCH1H471J	C CAPACITOR	470pF 50V J	1	
C114		CE32CL1C100M	E CAPACITOR	10uF 16V M	1	
C115		CC73GCH1H471J	C CAPACITOR	470pF 50V J	1	
C116		CE32CL1C100M	E CAPACITOR	10uF 16V M	1	
C117		CC730BE1H101J	C CAPACITOR	100pF 50V J	1	
C118		CC73GCH1H120J	C CAPACITOR	12pF 50V J	1	
C119		CK73FXR1C106K	C CAPACITOR	10uF 16V K	1	
C120		CK73GBB1H103K	C CAPACITOR	0.01uF 50V K	1	
C121		CK73GBB1H103K	C CAPACITOR	0.01uF 50V K	1	
C122		CC730BE1H101J	C CAPACITOR	100pF 50V J	1	
C123		CC73GCH1H120J	C CAPACITOR	12pF 50V J	1	
C124		CK73FXR1C106K	C CAPACITOR	10uF 16V K	1	
C125		CC73GCH1H120J	C CAPACITOR	12pF 50V J	1	
C126		CK73FXR1C106K	C CAPACITOR	10uF 16V K	1	
C127		CC730BE1H101J	C CAPACITOR	100pF 50V J	1	
C128		CK73FXR1C106K	C CAPACITOR	10uF 16V K	1	
C129		CC730BE1H101J	C CAPACITOR	100pF 50V J	1	
C130		CC730BE1H101J	C CAPACITOR	100pF 50V J	1	
C131		CK73GBB1H103K	C CAPACITOR	0.01uF 50V K	1	
C132		CK73GBB1H103K	C CAPACITOR	0.01uF 50V K	1	
C133		CC73GCH1H471J	C CAPACITOR	470pF 50V J	1	
C134		CE32CL1C100M	E CAPACITOR	10uF 16V M	1	
C135		CC73GCH1H471J	C CAPACITOR	470pF 50V J	1	
C136		CE32CL1C100M	E CAPACITOR	10uF 16V M	1	
C137		CK73GBB1H103K	C CAPACITOR	0.01uF 50V K	1	
C138		CK73GBB1H103K	C CAPACITOR	0.01uF 50V K	1	
C139		CE32CL1C100M	E CAPACITOR	10uF 16V M	1	
C140		CK730DH1H104K	C CAPACITOR	0.1uF 50V K	1	
C141		CK73FXR1C106K	C CAPACITOR	10uF 16V K	1	
C142		CK730DH1H104K	C CAPACITOR	0.1uF 50V K	1	

MODEL	MARK
XR600-6DSP	

Safe	Symbol No.	Parts No.	Parts Name	Description	QTY	Local
	C143	CK73FXR1C106K	C CAPACITOR	10uF 16V K	1	
	C144	CK730DH1H104K	C CAPACITOR	0.1uF 50V K	1	
	C145	CK730DH1H104K	C CAPACITOR	0.1uF 50V K	1	
	C146	CK73GGB1H103K	C CAPACITOR	0.01uF 50V K	1	
	C147	CE32CL1C100M	E CAPACITOR	10uF 16V M	1	
	C148	CE32CL1C100M	E CAPACITOR	10uF 16V M	1	
	C149	CK73FXR1C106K	C CAPACITOR	10uF 16V K	1	
	C150	CK730DH1H104K	C CAPACITOR	0.1uF 50V K	1	
	C152	CE32CL1C100M	E CAPACITOR	10uF 16V M	1	
	C153	CC730BE1H330J	C CAPACITOR	33pF 50V J	1	
	C154	CC73GCH1H560J	C CAPACITOR	56pF 50V J	1	
	C155	CC730BE1H330J	C CAPACITOR	33pF 50V J	1	
	C156	CC73GCH1H560J	C CAPACITOR	56pF 50V J	1	
	C157	CK73FBB1A225K	C CAPACITOR	2.2uF 10V K	1	
	C158	CE32CL1C100M	E CAPACITOR	10uF 16V M	1	
	C160	CC730BE1H330J	C CAPACITOR	33pF 50V J	1	
	C162	CC73GCH1H331J	C CAPACITOR	330pF 50V J	1	
	C163	CC73GCH1H331J	C CAPACITOR	330pF 50V J	1	
	C164	CK73GXR1C225K	C CAPACITOR	2.2uF 16V K	1	
	C165	CK730DH1H104K	C CAPACITOR	0.1uF 50V K	1	
	C166	CK73FXR1C106K	C CAPACITOR	10uF 16V K	1	
	C167	CC73GCH1H102J	C CAPACITOR	1000pF 50V J	1	
	C168	CK73FXR1C106K	C CAPACITOR	10uF 16V K	1	
	C169	CK730DH1H104K	C CAPACITOR	0.1uF 50V K	1	
	C170	CK730DH1H104K	C CAPACITOR	0.1uF 50V K	1	
	C171	CK73FXR1C106K	C CAPACITOR	10uF 16V K	1	
	C172	CC73GCH1H120J	C CAPACITOR	12pF 50V J	1	
	C173	CK73GXR1C225K	C CAPACITOR	2.2uF 16V K	1	
	C174	CK730DH1H104K	C CAPACITOR	0.1uF 50V K	1	
	C175	CK73FXR1C106K	C CAPACITOR	10uF 16V K	1	
	C176	CK73FXR1C106K	C CAPACITOR	10uF 16V K	1	
	C177	CK730DH1H104K	C CAPACITOR	0.1uF 50V K	1	
	C178	CK73FXR1C106K	C CAPACITOR	10uF 16V K	1	
	C179	CK730DH1H104K	C CAPACITOR	0.1uF 50V K	1	
	C180	CK730DH1H104K	C CAPACITOR	0.1uF 50V K	1	
	C181	CC730BE1H101J	C CAPACITOR	100pF 50V J	1	
	C182	CC730BE1H101J	C CAPACITOR	100pF 50V J	1	
	C183	CK730DH1H104K	C CAPACITOR	0.1uF 50V K	1	
	C184	CK73FXR1C106K	C CAPACITOR	10uF 16V K	1	
	C185	CK730DH1H104K	C CAPACITOR	0.1uF 50V K	1	
	C186	CK73FXR1C106K	C CAPACITOR	10uF 16V K	1	
	C187	CK73FXR1C106K	C CAPACITOR	10uF 16V K	1	
	C188	CK73FXR1C106K	C CAPACITOR	10uF 16V K	1	
	C189	CK73FXR1C106K	C CAPACITOR	10uF 16V K	1	
	C190	CK73FXR1C106K	C CAPACITOR	10uF 16V K	1	
	C191	CK730DH1H104K	C CAPACITOR	0.1uF 50V K	1	
	C192	CK730DC1H473K	C CAPACITOR	0.047uF 50V K	1	
	C193	CK730DC1H473K	C CAPACITOR	0.047uF 50V K	1	
	C195	CK73GXR1C334K	C CAPACITOR 2		1	
	C196	CK73FXR1C106K	C CAPACITOR	10uF 16V K	1	
	C197	CK730DH1H104K	C CAPACITOR	0.1uF 50V K	1	
	C198	CC73GCH1H120J	C CAPACITOR	12pF 50V J	1	
	C199	CK73GGB1H103K	C CAPACITOR	0.01uF 50V K	1	
	C200	CK730DH1H104K	C CAPACITOR	0.1uF 50V K	1	
	C201	CC73GCH1H102J	C CAPACITOR	1000pF 50V J	1	
	C202	CC73GCH1H102J	C CAPACITOR	1000pF 50V J	1	
	C203	CC73GCH1H102J	C CAPACITOR	1000pF 50V J	1	
	C204	CC73GCH1H102J	C CAPACITOR	1000pF 50V J	1	
	C205	CC73GCH1H102J	C CAPACITOR	1000pF 50V J	1	
	C206	CC73GCH1H102J	C CAPACITOR	1000pF 50V J	1	
	C207	CC73GCH1H102J	C CAPACITOR	1000pF 50V J	1	
	C208	CC73GCH1H102J	C CAPACITOR	1000pF 50V J	1	
	C209	CC73GCH1H102J	C CAPACITOR	1000pF 50V J	1	
	C210	CC73GCH1H102J	C CAPACITOR	1000pF 50V J	1	
	C211	CC73GCH1H102J	C CAPACITOR	1000pF 50V J	1	
	C212	CC730BE1H221J	C CAPACITOR	220pF 50V J	1	
	C213	CK73GXR1C105K	C CAPACITOR	1uF 16V K	1	
	C214	CC73GCH1H102J	C CAPACITOR	1000pF 50V J	1	
	C215	CC73GCH1H102J	C CAPACITOR	1000pF 50V J	1	
	C216	CK73GXR1C105K	C CAPACITOR	1uF 16V K	1	
	C217	CC730BE1H221J	C CAPACITOR	220pF 50V J	1	
	C218	CC730BE1H221J	C CAPACITOR	220pF 50V J	1	
	C219	CC730BE1H221J	C CAPACITOR	220pF 50V J	1	
	C220	CC730BE1H221J	C CAPACITOR	220pF 50V J	1	
	C221	CC730BE1H221J	C CAPACITOR	220pF 50V J	1	
	C222	CC730BE1H221J	C CAPACITOR	220pF 50V J	1	
	C224	CK73GGB1H103K	C CAPACITOR	0.01uF 50V K	1	
	C225	CK73GGB1H103K	C CAPACITOR	0.01uF 50V K	1	
	C226	CK73GGB1H103K	C CAPACITOR	0.01uF 50V K	1	
	C227	CK73GGB1H103K	C CAPACITOR	0.01uF 50V K	1	
	C228	CK730DH1H104K	C CAPACITOR	0.1uF 50V K	1	
	C229	CK73GGB1H103K	C CAPACITOR	0.01uF 50V K	1	
	C230	CE32BF0J101M	E CAPACITOR	100uF 6.3V M	1	
	C231	CE32BF0J101M	E CAPACITOR	100uF 6.3V M	1	
	C232	CK73GGB1H103K	C CAPACITOR	0.01uF 50V K	1	
	C233	CK73GGB1H103K	C CAPACITOR	0.01uF 50V K	1	
	C234	CK73GGB1H103K	C CAPACITOR	0.01uF 50V K	1	
	C235	CK73GGB1H103K	C CAPACITOR	0.01uF 50V K	1	
	C236	CC73GCH1H102J	C CAPACITOR	1000pF 50V J	1	
	C237	CK73GGB1H103K	C CAPACITOR	0.01uF 50V K	1	
	C238	CK73GXR1C475K	C CAPACITOR	4.7uF 16V K	1	
	C239	CE32CL1C100M	E CAPACITOR	10uF 16V M	1	

MODEL	MARK
XR600-6DSP	

Safe	Symbol No.	Parts No.	Parts Name	Description	QTY	Local
C240		CE32CL1C100M	E CAPACITOR	10uF 16V M	1	
C241		CE32CL1C100M	E CAPACITOR	10uF 16V M	1	
C242		CK73GBB1H103K	C CAPACITOR	0.01uF 50V K	1	
C243		CK73GBB1H103K	C CAPACITOR	0.01uF 50V K	1	
C244		CK73GXR1C105K	C CAPACITOR	1uF 16V K	1	
C245		CK73GBB1H103K	C CAPACITOR	0.01uF 50V K	1	
C246		CK73FXR1C106K	C CAPACITOR	10uF 16V K	1	
C247		CK730DH1H104K	C CAPACITOR	0.1uF 50V K	1	
C248		CK73GBB1H103K	C CAPACITOR	0.01uF 50V K	1	
C249		CK73GXR1C225K	C CAPACITOR	2.2uF 16V K	1	
C250		CE32BY1C221M	E CAPACITOR	220uF 16V M	1	
C251		CK73GXR1E474K	C CAPACITOR	0.47uF 25V K	1	
R3		RK73GB2A473J	MG RESISTOR	47kΩ 1/10W J	1	
R4		RK73GB2A102J	MG RESISTOR	1kΩ 1/10W J	1	
R5		RK73GB2A102J	MG RESISTOR	1kΩ 1/10W J	1	
R6		RK73GH2A822D	MG RESISTOR	8.2Ω 1/10W D	1	
R7		RK73GH2A822D	MG RESISTOR	8.2Ω 1/10W D	1	
R8		RK73GH2A362D	MG RESISTOR	3.6kΩ 1/10W D	1	
R9		RK73GH2A362D	MG RESISTOR	3.6kΩ 1/10W D	1	
R13		RK73GB2A473J	MG RESISTOR	47kΩ 1/10W J	1	
R14		RK73GB2A102J	MG RESISTOR	1kΩ 1/10W J	1	
R15		RK73GB2A102J	MG RESISTOR	1kΩ 1/10W J	1	
R16		RK73GH2A822D	MG RESISTOR	8.2Ω 1/10W D	1	
R17		RK73GH2A822D	MG RESISTOR	8.2Ω 1/10W D	1	
R19		RK73GH2A362D	MG RESISTOR	3.6kΩ 1/10W D	1	
R20		RK73GH2A362D	MG RESISTOR	3.6kΩ 1/10W D	1	
R25		RK73GB2A153J	MG RESISTOR	15kΩ 1/10W J	1	
R26		RK73GB2A474J	MG RESISTOR	470kΩ 1/10W J	1	
R28		RK73GB2A473J	MG RESISTOR	47kΩ 1/10W J	1	
R29		RK73GB2A102J	MG RESISTOR	1kΩ 1/10W J	1	
R30		RK73GB2A102J	MG RESISTOR	1kΩ 1/10W J	1	
R31		RK73GH2A822D	MG RESISTOR	8.2Ω 1/10W D	1	
R32		RK73GH2A822D	MG RESISTOR	8.2Ω 1/10W D	1	
R33		RK73GH2A362D	MG RESISTOR	3.6kΩ 1/10W D	1	
R34		RK73GH2A362D	MG RESISTOR	3.6kΩ 1/10W D	1	
R38		RK73GB2A473J	MG RESISTOR	47kΩ 1/10W J	1	
R39		RK73GB2A102J	MG RESISTOR	1kΩ 1/10W J	1	
R40		RK73GB2A102J	MG RESISTOR	1kΩ 1/10W J	1	
R41		RK73GH2A822D	MG RESISTOR	8.2Ω 1/10W D	1	
R42		RK73GH2A822D	MG RESISTOR	8.2Ω 1/10W D	1	
R43		RK73GB2A223J	MG RESISTOR	22kΩ 1/10W J	1	
R44		RK73GH2A362D	MG RESISTOR	3.6kΩ 1/10W D	1	
R45		RK73GH2A362D	MG RESISTOR	3.6kΩ 1/10W D	1	
R50		RK73GB2A153J	MG RESISTOR	15kΩ 1/10W J	1	
R51		RK73GB2A474J	MG RESISTOR	470kΩ 1/10W J	1	
R53		RK73GB2A153J	MG RESISTOR	15kΩ 1/10W J	1	
R54		RK73GB2A474J	MG RESISTOR	470kΩ 1/10W J	1	
R56		RK73GB2A153J	MG RESISTOR	15kΩ 1/10W J	1	
R57		RK73GB2A474J	MG RESISTOR	470kΩ 1/10W J	1	
R58		RK73GB2A473J	MG RESISTOR	47kΩ 1/10W J	1	
R59		RK73GB2A102J	MG RESISTOR	1kΩ 1/10W J	1	
R60		RK73GB2A102J	MG RESISTOR	1kΩ 1/10W J	1	
R61		RK73GB2A102J	MG RESISTOR	1kΩ 1/10W J	1	
R62		RK73GH2A153D	MG RESISTOR	15kΩ 1/10W D	1	
R63		RK73GH2A333D	MG RESISTOR	33kΩ 1/10W D	1	
R64		RK73GH2A103D	MG RESISTOR	10kΩ 1/10W D	1	
R65		RK73GH2A153D	MG RESISTOR	15kΩ 1/10W D	1	
R67		RK73GB2A472J	MG RESISTOR	4.7kΩ 1/10W J	1	
R68		RK73GB2A753J	MG RESISTOR	75kΩ 1/10W J	1	
R69		RK73GB2A123J	MG RESISTOR	12kΩ 1/10W J	1	
R70		RK73GB2A203J	MG RESISTOR	20kΩ 1/10W J	1	
R71		RK73GB2A753J	MG RESISTOR	75kΩ 1/10W J	1	
R72		RK73GB2A123J	MG RESISTOR	12kΩ 1/10W J	1	
R84		RK73GB2A473J	MG RESISTOR	47kΩ 1/10W J	1	
R85		RK73GB2A220J	MG RESISTOR	22Ω 1/10W J	1	
R86		RK73GB2A220J	MG RESISTOR	22Ω 1/10W J	1	
R87		RK73GB2A203J	MG RESISTOR	20kΩ 1/10W J	1	
R88		RK73GB2A753J	MG RESISTOR	75kΩ 1/10W J	1	
R90		RK73GB2A123J	MG RESISTOR	12kΩ 1/10W J	1	
R91		RK73GB2A101J	MG RESISTOR	100Ω 1/10W J	1	
R94		RK73GB2A101J	MG RESISTOR	100Ω 1/10W J	1	
R95		RK73GB2A101J	MG RESISTOR	100Ω 1/10W J	1	
R96		RK73GB2A101J	MG RESISTOR	100Ω 1/10W J	1	
R97		RK73GB2A101J	MG RESISTOR	100Ω 1/10W J	1	
R98		RK73GB2A101J	MG RESISTOR	100Ω 1/10W J	1	
R99		RK73GB2A473J	MG RESISTOR	47kΩ 1/10W J	1	
R101		RK73GH2A822D	MG RESISTOR	8.2Ω 1/10W D	1	
R102		RK73GH2A822D	MG RESISTOR	8.2Ω 1/10W D	1	
R104		RK73GB2A472J	MG RESISTOR	4.7kΩ 1/10W J	1	
R105		RK73GB2A473J	MG RESISTOR	47kΩ 1/10W J	1	
R108		RK73GB2A105J	MG RESISTOR	1MΩ 1/10W J	1	
R109		RK73GB2A332J	MG RESISTOR	3.3kΩ 1/10W J	1	
R110		RK73GB2A220J	MG RESISTOR	22Ω 1/10W J	1	
R111		RK73GB2A153J	MG RESISTOR	15kΩ 1/10W J	1	
R112		RK73GB2A220J	MG RESISTOR	22Ω 1/10W J	1	
R113		RK73GB2A153J	MG RESISTOR	15kΩ 1/10W J	1	
R114		RK73GB2A473J	MG RESISTOR	47kΩ 1/10W J	1	
R115		RK73GB2A473J	MG RESISTOR	47kΩ 1/10W J	1	
R116		RK73GB2A102J	MG RESISTOR	1kΩ 1/10W J	1	
R117		RK73GB2A102J	MG RESISTOR	1kΩ 1/10W J	1	
R118		RK73GH2A153D	MG RESISTOR	15kΩ 1/10W D	1	
R119		RK73GH2A153D	MG RESISTOR	15kΩ 1/10W D	1	

MODEL	MARK
XR600-6DSP	

Safe	Symbol No.	Parts No.	Parts Name	Description	QTY	Local
R120		RK73GB2A101J	MG RESISTOR	100Ω 1/10W J	1	
R121		RK73GB2A103J	MG RESISTOR	10kΩ 1/10W J	1	
R123		RK73GB2A223J	MG RESISTOR	22kΩ 1/10W J	1	
R124		RK73GH2A822D	MG RESISTOR	8.2Ω 1/10W D	1	
R125		RK73GH2A822D	MG RESISTOR	8.2Ω 1/10W D	1	
R126		RK73GB2A101J	MG RESISTOR	100Ω 1/10W J	1	
R127		RK73GB2A101J	MG RESISTOR	100Ω 1/10W J	1	
R128		RK73GB2A161J	MG RESISTOR	160Ω 1/10W J	1	
R129		RK73GB2A101J	MG RESISTOR	100Ω 1/10W J	1	
R130		RK73GB2A161J	MG RESISTOR	160Ω 1/10W J	1	
R131		RK73GB2A222J	MG RESISTOR	2.2kΩ 1/10W J	1	
R134		RK73GB2A101J	MG RESISTOR	100Ω 1/10W J	1	
R135		RK73GB2A472J	MG RESISTOR	4.7kΩ 1/10W J	1	
R136		RK73GB2A473J	MG RESISTOR	47kΩ 1/10W J	1	
R137		RK73GB2A161J	MG RESISTOR	160Ω 1/10W J	1	
R138		RK73GB2A161J	MG RESISTOR	160Ω 1/10W J	1	
R139		RK73GB2A472J	MG RESISTOR	4.7kΩ 1/10W J	1	
R140		RK73GB2A472J	MG RESISTOR	4.7kΩ 1/10W J	1	
R141		RK73GB2A473J	MG RESISTOR	47kΩ 1/10W J	1	
R142		RK73GB2A473J	MG RESISTOR	47kΩ 1/10W J	1	
R143		RK73GB2A473J	MG RESISTOR	47kΩ 1/10W J	1	
R144		RK73GB2A101J	MG RESISTOR	100Ω 1/10W J	1	
R145		RK73GB2A473J	MG RESISTOR	47kΩ 1/10W J	1	
R146		RK73GB2A101J	MG RESISTOR	100Ω 1/10W J	1	
R147		RK73GB2A101J	MG RESISTOR	100Ω 1/10W J	1	
R148		RK73GB2A473J	MG RESISTOR	47kΩ 1/10W J	1	
R149		RK73GB2A473J	MG RESISTOR	47kΩ 1/10W J	1	
R150		RK73GB2A473J	MG RESISTOR	47kΩ 1/10W J	1	
R151		RK73GB2A752J	MG RESISTOR	7.5kΩ 1/10W J	1	
R152		RK73GB2A682J	MG RESISTOR	6.8kΩ 1/10W J	1	
R153		RK73GB2A752J	MG RESISTOR	7.5kΩ 1/10W J	1	
R154		RK73GB2A820J	MG RESISTOR	82Ω 1/10W J	1	
R155		RK73GB2A682J	MG RESISTOR	6.8kΩ 1/10W J	1	
R156		RK73GB2A820J	MG RESISTOR	82Ω 1/10W J	1	
R157		RK73GB2A223J	MG RESISTOR	22kΩ 1/10W J	1	
R158		RK73GB2A222J	MG RESISTOR	2.2kΩ 1/10W J	1	
R159		RK73GB2A101J	MG RESISTOR	100Ω 1/10W J	1	
R160		RK73GB2A101J	MG RESISTOR	100Ω 1/10W J	1	
R161		RK73GB2A101J	MG RESISTOR	100Ω 1/10W J	1	
R162		RK73GB2A101J	MG RESISTOR	100Ω 1/10W J	1	
R163		RK73GB2A752J	MG RESISTOR	7.5kΩ 1/10W J	1	
R164		RK73GB2A682J	MG RESISTOR	6.8kΩ 1/10W J	1	
R165		RK73GB2A752J	MG RESISTOR	7.5kΩ 1/10W J	1	
R166		RK73GB2A161J	MG RESISTOR	160Ω 1/10W J	1	
R167		RK73GB2A682J	MG RESISTOR	6.8kΩ 1/10W J	1	
R168		RK73GB2A203J	MG RESISTOR	20kΩ 1/10W J	1	
R169		RK73GB2A753J	MG RESISTOR	75kΩ 1/10W J	1	
R170		RK73GB2A123J	MG RESISTOR	12kΩ 1/10W J	1	
R171		RK73GB2A203J	MG RESISTOR	20kΩ 1/10W J	1	
R172		RK73GB2A101J	MG RESISTOR	100Ω 1/10W J	1	
R173		RK73GB2A333J	MG RESISTOR	33kΩ 1/10W J	1	
R174		RK73GB2A103J	MG RESISTOR	10kΩ 1/10W J	1	
R175		RK73GB2A223J	MG RESISTOR	22kΩ 1/10W J	1	
R176		RK73GB2A752J	MG RESISTOR	7.5kΩ 1/10W J	1	
R177		RK73GB2A682J	MG RESISTOR	6.8kΩ 1/10W J	1	
R178		RK73GB2A752J	MG RESISTOR	7.5kΩ 1/10W J	1	
R179		RK73GB2A682J	MG RESISTOR	6.8kΩ 1/10W J	1	
R180		RK73GH2A220D	MG RESISTOR	22Ω 1/10W D	1	
R181		RK73GH2A220D	MG RESISTOR	22Ω 1/10W D	1	
R182		RK73GB2A820J	MG RESISTOR	82Ω 1/10W J	1	
R183		RK73GB2A222J	MG RESISTOR	2.2kΩ 1/10W J	1	
R184		RK73GB2A101J	MG RESISTOR	100Ω 1/10W J	1	
R185		RK73GH2A220D	MG RESISTOR	22Ω 1/10W D	1	
R186		RK73GH2A220D	MG RESISTOR	22Ω 1/10W D	1	
R187		RK73GB2A101J	MG RESISTOR	100Ω 1/10W J	1	
R188		RK73GB2A101J	MG RESISTOR	100Ω 1/10W J	1	
R189		RK73GB2A161J	MG RESISTOR	160Ω 1/10W J	1	
R190		RK73GB2A101J	MG RESISTOR	100Ω 1/10W J	1	
R191		RK73GB2A161J	MG RESISTOR	160Ω 1/10W J	1	
R192		RK73GB2A161J	MG RESISTOR	160Ω 1/10W J	1	
R193		RK73GB2A161J	MG RESISTOR	160Ω 1/10W J	1	
R195		RK73GB2A820J	MG RESISTOR	82Ω 1/10W J	1	
R196		RK73GB2A153J	MG RESISTOR	15kΩ 1/10W J	1	
R197		RK73GB2A474J	MG RESISTOR	470kΩ 1/10W J	1	
R199		RK73GB2A153J	MG RESISTOR	15kΩ 1/10W J	1	
R200		RK73GB2A474J	MG RESISTOR	470kΩ 1/10W J	1	
R202		RK73GB2A181J	MG RESISTOR	180Ω 1/10W J	1	
R203		RK73GB2A223J	MG RESISTOR	22kΩ 1/10W J	1	
R204		RK73GB2A102J	MG RESISTOR	1kΩ 1/10W J	1	
R205		RK73GB2A181J	MG RESISTOR	180Ω 1/10W J	1	
R206		RK73GB2A223J	MG RESISTOR	22kΩ 1/10W J	1	
R207		RK73GB2A102J	MG RESISTOR	1kΩ 1/10W J	1	
R208		RK73GB2A181J	MG RESISTOR	180Ω 1/10W J	1	
R209		RK73GB2A223J	MG RESISTOR	22kΩ 1/10W J	1	
R210		RK73GB2A102J	MG RESISTOR	1kΩ 1/10W J	1	
R211		RK73GB2A181J	MG RESISTOR	180Ω 1/10W J	1	
R212		RK73GB2A223J	MG RESISTOR	22kΩ 1/10W J	1	
R213		RK73GB2A820J	MG RESISTOR	82Ω 1/10W J	1	
R214		RK73GB2A242J	MG RESISTOR	2.4kΩ 1/10W J	1	
R215		RK73GB2A101J	MG RESISTOR	100Ω 1/10W J	1	
R216		RK73GB2A473J	MG RESISTOR	47kΩ 1/10W J	1	
R217		RK73GB2A472J	MG RESISTOR	4.7kΩ 1/10W J	1	
R218		RK73GB2A102J	MG RESISTOR	1kΩ 1/10W J	1	

MODEL	MARK
XR600-6DSP	

Safe	Symbol No.	Parts No.	Parts Name	Description	QTY	Local
	R219	RK73GB2A123J	MG RESISTOR	12kΩ 1/10W J	1	
	R221	RK73GB2A161J	MG RESISTOR	160Ω 1/10W J	1	
	R222	RK73GB2A161J	MG RESISTOR	160Ω 1/10W J	1	
	R223	RK73GB2A161J	MG RESISTOR	160Ω 1/10W J	1	
	R224	RK73GB2A821J	MG RESISTOR	820Ω 1/10W J	1	
	R225	RK73GB2A561J	MG RESISTOR	560Ω 1/10W J	1	
	R226	RK73GB2A161J	MG RESISTOR	160Ω 1/10W J	1	
	R227	RK73GB2A161J	MG RESISTOR	160Ω 1/10W J	1	
	R228	RK73GB2A101J	MG RESISTOR	100Ω 1/10W J	1	
	R229	RK73GB2A101J	MG RESISTOR	100Ω 1/10W J	1	
	R230	RK73GB2A101J	MG RESISTOR	100Ω 1/10W J	1	
	R231	RK73GB2A101J	MG RESISTOR	100Ω 1/10W J	1	
	R232	RK73GB2A101J	MG RESISTOR	100Ω 1/10W J	1	
	R233	RK73GB2A101J	MG RESISTOR	100Ω 1/10W J	1	
	R234	RK73GB2A101J	MG RESISTOR	100Ω 1/10W J	1	
	R235	RK73GB2A101J	MG RESISTOR	100Ω 1/10W J	1	
	R236	RK73GB2A101J	MG RESISTOR	100Ω 1/10W J	1	
	R237	RK73GB2A101J	MG RESISTOR	100Ω 1/10W J	1	
	R238	RK73GB2A101J	MG RESISTOR	100Ω 1/10W J	1	
	R239	RK73GB2A561J	MG RESISTOR	560Ω 1/10W J	1	
	R240	RK73GB2A101J	MG RESISTOR	100Ω 1/10W J	1	
	R241	RK73GB2A101J	MG RESISTOR	100Ω 1/10W J	1	
	R242	RK73GB2A101J	MG RESISTOR	100Ω 1/10W J	1	
	R243	RK73GB2A101J	MG RESISTOR	100Ω 1/10W J	1	
	R244	RK73GB2A101J	MG RESISTOR	100Ω 1/10W J	1	
	R245	RK73GB2A101J	MG RESISTOR	100Ω 1/10W J	1	
	R246	RK73GB2A473J	MG RESISTOR	47kΩ 1/10W J	1	
	R247	RK73GB2A820J	MG RESISTOR	82Ω 1/10W J	1	
	R248	RK73GB2A820J	MG RESISTOR	82Ω 1/10W J	1	
	R249	RK73GB2A101J	MG RESISTOR	100Ω 1/10W J	1	
	R250	RK73GB2A101J	MG RESISTOR	100Ω 1/10W J	1	
	R252	RK73GB2A472J	MG RESISTOR	4.7kΩ 1/10W J	1	
	R253	RK73GB2A101J	MG RESISTOR	100Ω 1/10W J	1	
	R254	RK73GB2A101J	MG RESISTOR	100Ω 1/10W J	1	
	R255	RK73GB2A101J	MG RESISTOR	100Ω 1/10W J	1	
	R256	RK73GB2A101J	MG RESISTOR	100Ω 1/10W J	1	
	R257	RK73GB2A101J	MG RESISTOR	100Ω 1/10W J	1	
	R258	RK73GB2A101J	MG RESISTOR	100Ω 1/10W J	1	
	R259	RK73GB2A101J	MG RESISTOR	100Ω 1/10W J	1	
	R260	RK73GB2A101J	MG RESISTOR	100Ω 1/10W J	1	
	R261	RK73GB2A101J	MG RESISTOR	100Ω 1/10W J	1	
	R263	RK73GB2A820J	MG RESISTOR	82Ω 1/10W J	1	
	R264	RK73GB2A100J	MG RESISTOR	10Ω 1/10W J	1	
	R265	RK73GB2A100J	MG RESISTOR	10Ω 1/10W J	1	
	R266	RK73GB2A100J	MG RESISTOR	10Ω 1/10W J	1	
	R269	RK73GB2A100J	MG RESISTOR	10Ω 1/10W J	1	
	R271	RK73GB2A101J	MG RESISTOR	100Ω 1/10W J	1	
	R272	RK73GB2A222J	MG RESISTOR	2.2kΩ 1/10W J	1	
	R273	RK73GB2A101J	MG RESISTOR	100Ω 1/10W J	1	
	R274	RK73GH2A103D	MG RESISTOR	10kΩ 1/10W D	1	
	R275	RK73GH2A184D	MG RESISTOR	180kΩ 1/10W D	1	
	R276	RK73GH2A244D	MG RESISTOR	240kΩ 1/10W D	1	
	R277	RK73GH2A224D	MG RESISTOR	220kΩ 1/10W D	1	
	R278	RK73GH2A224D	MG RESISTOR	220kΩ 1/10W D	1	
	R279	RK73GB2A222J	MG RESISTOR	2.2kΩ 1/10W J	1	
	R280	RK73GB2A222J	MG RESISTOR	2.2kΩ 1/10W J	1	
	R281	RK73GB2A222J	MG RESISTOR	2.2kΩ 1/10W J	1	
	R282	RK73GB2A333J	MG RESISTOR	33kΩ 1/10W J	1	
	R283	RK73GB2A473J	MG RESISTOR	47kΩ 1/10W J	1	
	R284	RK73GB2A473J	MG RESISTOR	47kΩ 1/10W J	1	
	R285	RK73GB2A473J	MG RESISTOR	47kΩ 1/10W J	1	
	R286	RK73GB2A220J	MG RESISTOR	22Ω 1/10W J	1	
	R287	RK73GB2A220J	MG RESISTOR	22Ω 1/10W J	1	
	R288	RK73GB2A103J	MG RESISTOR	10kΩ 1/10W J	1	
	R289	RK73GB2A103J	MG RESISTOR	10kΩ 1/10W J	1	
	R290	RK73GB2A103J	MG RESISTOR	10kΩ 1/10W J	1	
	R291	RK73GB2A103J	MG RESISTOR	10kΩ 1/10W J	1	
	R292	RK73GB2A103J	MG RESISTOR	10kΩ 1/10W J	1	
	R293	RK73GB2A103J	MG RESISTOR	10kΩ 1/10W J	1	
	R294	RK73GB2A223J	MG RESISTOR	22kΩ 1/10W J	1	
	R295	RK73GB2A000J	MG RESISTOR	0Ω 1/10W J	1	
	R296	RK73GB2A000J	MG RESISTOR	0Ω 1/10W J	1	
	R297	RK73GB2A103J	MG RESISTOR	10kΩ 1/10W J	1	
	R298	RK73GB2A103J	MG RESISTOR	10kΩ 1/10W J	1	
	R299	RK73GB2A103J	MG RESISTOR	10kΩ 1/10W J	1	
	R300	RK73GB2A820J	MG RESISTOR	82Ω 1/10W J	1	
	R301	RK73GB2A820J	MG RESISTOR	82Ω 1/10W J	1	
	R302	RK73GH2A472D	MG RESISTOR	4.7kΩ 1/10W D	1	
	R303	RK73GH2A472D	MG RESISTOR	4.7kΩ 1/10W D	1	
	R304	RK73GH2A220D	MG RESISTOR	22Ω 1/10W D	1	
	R305	RK73GH2A472D	MG RESISTOR	4.7kΩ 1/10W D	1	
	R306	RK73GH2A472D	MG RESISTOR	4.7kΩ 1/10W D	1	
	R307	RK73GH2A220D	MG RESISTOR	22Ω 1/10W D	1	
	R308	RK73GH2A472D	MG RESISTOR	4.7kΩ 1/10W D	1	
	R309	RK73GH2A472D	MG RESISTOR	4.7kΩ 1/10W D	1	
	R310	RK73GH2A220D	MG RESISTOR	22Ω 1/10W D	1	
	R311	RK73GH2A472D	MG RESISTOR	4.7kΩ 1/10W D	1	
	R312	RK73GH2A472D	MG RESISTOR	4.7kΩ 1/10W D	1	
	R313	RK73GH2A220D	MG RESISTOR	22Ω 1/10W D	1	
	R314	RK73GB2A103J	MG RESISTOR	10kΩ 1/10W J	1	
	R315	RK73GB2A103J	MG RESISTOR	10kΩ 1/10W J	1	
	R316	RK73GB2A103J	MG RESISTOR	10kΩ 1/10W J	1	

MODEL	MARK
XR600-6DSP	

Safe	Symbol No.	Parts No.	Parts Name	Description	QTY	Local
	R317	RK73GB2A103J	MG RESISTOR	10kΩ 1/10W J	1	
	R318	RK73GB2A103J	MG RESISTOR	10kΩ 1/10W J	1	
	R319	RK73GB2A103J	MG RESISTOR	10kΩ 1/10W J	1	
	R320	RK73GB2A000J	MG RESISTOR	0Ω 1/10W J	1	
	R321	RK73GB2A000J	MG RESISTOR	0Ω 1/10W J	1	
	R322	RK73GB2A000J	MG RESISTOR	0Ω 1/10W J	1	
	R323	RK73GB2A000J	MG RESISTOR	0Ω 1/10W J	1	
	R324	RK73GB2A000J	MG RESISTOR	0Ω 1/10W J	1	
	R325	RK73GB2A000J	MG RESISTOR	0Ω 1/10W J	1	
	R326	RK73GB2A000J	MG RESISTOR	0Ω 1/10W J	1	
	R327	RK73GB2A000J	MG RESISTOR	0Ω 1/10W J	1	
	R328	RK73GB2A000J	MG RESISTOR	0Ω 1/10W J	1	
	R329	RK73GB2A000J	MG RESISTOR	0Ω 1/10W J	1	
	R330	RK73GB2A101J	MG RESISTOR	100Ω 1/10W J	1	
	R331	RK73GB2A103J	MG RESISTOR	10kΩ 1/10W J	1	
	R332	RK73GB2A223J	MG RESISTOR	22kΩ 1/10W J	1	
	R333	RK73GB2A223J	MG RESISTOR	22kΩ 1/10W J	1	
	R334	RK73GB2A332J	MG RESISTOR	3.3kΩ 1/10W J	1	
	R335	RK73GB2A103J	MG RESISTOR	10kΩ 1/10W J	1	
	R336	RK73GB2A103J	MG RESISTOR	10kΩ 1/10W J	1	
	R337	RK73GB2A103J	MG RESISTOR	10kΩ 1/10W J	1	
	R338	RK73GB2A223J	MG RESISTOR	22kΩ 1/10W J	1	
	R339	RK73GB2A223J	MG RESISTOR	22kΩ 1/10W J	1	
	R340	RK73GB2A223J	MG RESISTOR	22kΩ 1/10W J	1	
	R341	RK73GB2A223J	MG RESISTOR	22kΩ 1/10W J	1	
	R342	RK73GB2A223J	MG RESISTOR	22kΩ 1/10W J	1	
	R343	RK73GB2A223J	MG RESISTOR	22kΩ 1/10W J	1	
	R344	RK73GB2A223J	MG RESISTOR	22kΩ 1/10W J	1	
	R345	RK73GB2A223J	MG RESISTOR	22kΩ 1/10W J	1	
	R346	RK73GB2A473J	MG RESISTOR	47kΩ 1/10W J	1	
	R347	RK73GB2A220J	MG RESISTOR	22Ω 1/10W J	1	
	R348	RK73GB2A220J	MG RESISTOR	22Ω 1/10W J	1	
	R349	RK73GB2A000J	MG RESISTOR	0Ω 1/10W J	1	
	R350	RK73GB2A153J	MG RESISTOR	15kΩ 1/10W J	1	
	R351	RK73GB2A153J	MG RESISTOR	15kΩ 1/10W J	1	
	R368	RK73GB2A101J	MG RESISTOR	100Ω 1/10W J	1	
	R369	RK73GB2A101J	MG RESISTOR	100Ω 1/10W J	1	
	R370	RK73GB2A682J	MG RESISTOR	6.8kΩ 1/10W J	1	
	R371	RK73GB2A682J	MG RESISTOR	6.8kΩ 1/10W J	1	
	R372	RK73GB2A682J	MG RESISTOR	6.8kΩ 1/10W J	1	
	R373	RK73GB2A682J	MG RESISTOR	6.8kΩ 1/10W J	1	
	R374	RK73GB2A682J	MG RESISTOR	6.8kΩ 1/10W J	1	
	R375	RK73GB2A682J	MG RESISTOR	6.8kΩ 1/10W J	1	
	R376	RK73GB2A682J	MG RESISTOR	6.8kΩ 1/10W J	1	
	R377	RK73GB2A682J	MG RESISTOR	6.8kΩ 1/10W J	1	
	R378	RK73GB2A682J	MG RESISTOR	6.8kΩ 1/10W J	1	
	R379	RK73GB2A682J	MG RESISTOR	6.8kΩ 1/10W J	1	
	R380	RK73GB2A682J	MG RESISTOR	6.8kΩ 1/10W J	1	
	R381	RK73GB2A682J	MG RESISTOR	6.8kΩ 1/10W J	1	
	R382	RK73GB2A103J	MG RESISTOR	10kΩ 1/10W J	1	
	R383	RK73GB2A103J	MG RESISTOR	10kΩ 1/10W J	1	
	R384	RK73GB2A103J	MG RESISTOR	10kΩ 1/10W J	1	
	R385	RK73GB2A103J	MG RESISTOR	10kΩ 1/10W J	1	
	R386	RK73GB2A103J	MG RESISTOR	10kΩ 1/10W J	1	
	R387	RK73GB2A103J	MG RESISTOR	10kΩ 1/10W J	1	
	R388	RK73GB2A913J	MG RESISTOR	91kΩ 1/10W J	1	
	R389	RK73GB2A333J	MG RESISTOR	33kΩ 1/10W J	1	
	R390	RK73GB2A102J	MG RESISTOR	1kΩ 1/10W J	1	
	R391	RK73GB2A913J	MG RESISTOR	91kΩ 1/10W J	1	
	R392	RK73GB2A333J	MG RESISTOR	33kΩ 1/10W J	1	
	R393	RK73GB2A152J	MG RESISTOR	1.5kΩ 1/10W J	1	
	R394	RK73GB2A101J	MG RESISTOR	100Ω 1/10W J	1	
	L1	LB73G0BK-006	CHIP FERRITE		1	
	L3	LB73G0BK-006	CHIP FERRITE		1	
	L14	LB73G0BK-006	CHIP FERRITE		1	
	L15	LB73G0BK-006	CHIP FERRITE		1	
	L16	LB73G0BK-006	CHIP FERRITE		1	
	L17	LB73G0BK-006	CHIP FERRITE		1	
	L18	LB73G0BK-006	CHIP FERRITE		1	
	L19	LB73G0BK-006	CHIP FERRITE		1	
	L20	LB73G0BK-006	CHIP FERRITE		1	
	A1	W0C-0291-00	RF MODULE		1	
	CN1	EB760BJ-0540A	B TO B CONNE		1	
	CN2	EA120CK-2004A	W TO B CONNE		1	
	CN3	E41-1699-05	PIN ASSY		1	
△	F1	F53-0513-08	PATTERN FUSE	4A	1	
△	F2	F53-0513-08	PATTERN FUSE	4A	1	
△	F3	F53-0513-08	PATTERN FUSE	4A	1	
	J1	E5J-0147-00	R.RECEPTACLE		1	
	J2	E63-0968-05	PIN JACK		1	
	J3	E5J-0056-00	USB TERMINAL		1	
	J4	E5J-0055-00	USB TERMINAL		1	
	S1	S62-0842-05	SLIDE SWITCH		1	
	S2	S70-0514-05	TACTILE PUSH SW		1	
	S3	S7A-0025-00	TACTILE PUSH SW		1	
	S4	S70-0514-05	TACTILE PUSH SW		1	
	S5	S70-0514-05	TACTILE PUSH SW		1	
	TH1	NCP18WB473J0S	N THERMISTOR	47kΩ	1	
	X1	L7J-0060-00	QUARTZ CRYSTAL		1	
	X3	L77-3882-05	QUARTZ CRYSTAL		1	