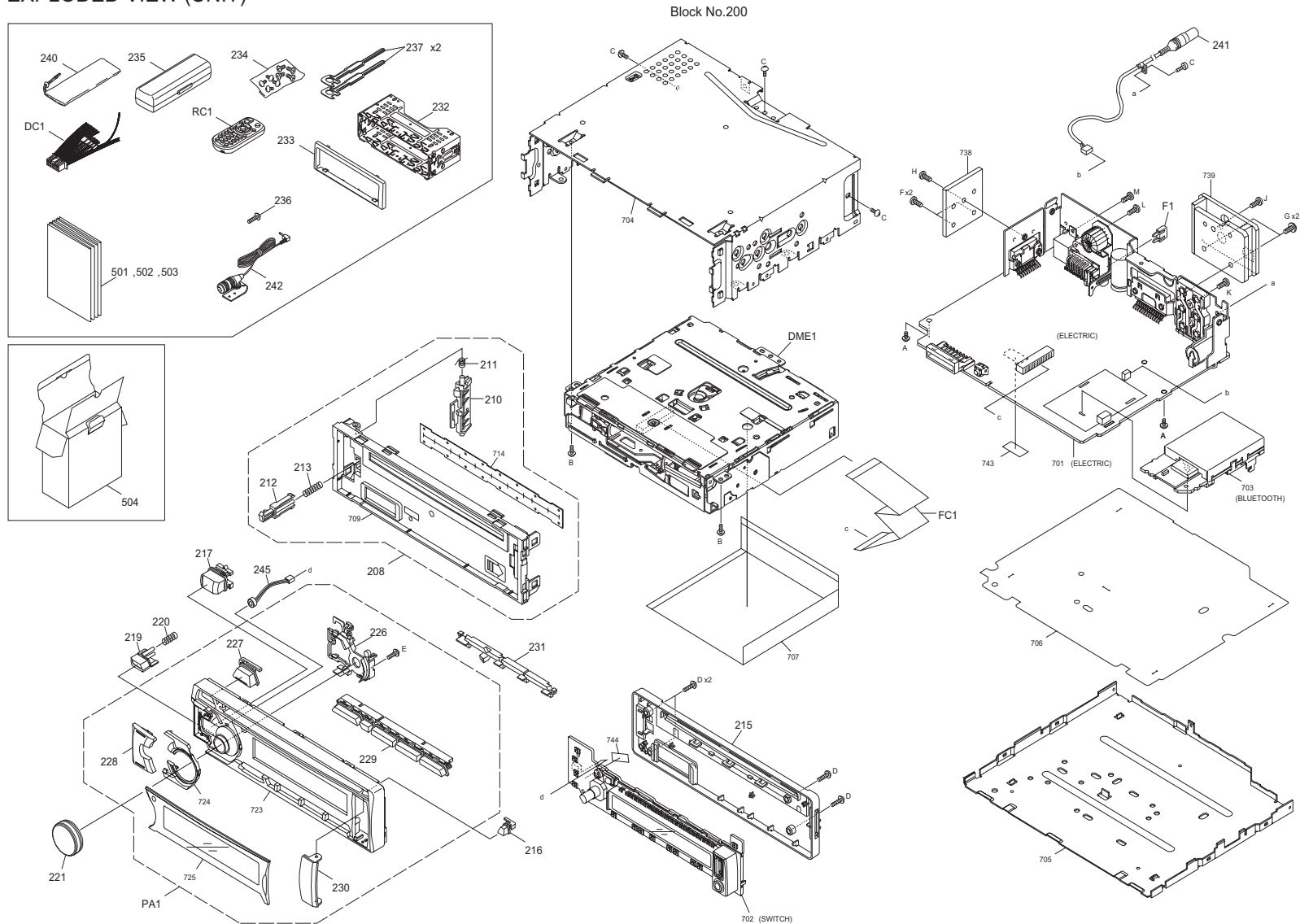


EXPLODED VIEW (UNIT)



Parts with the exploded numbers larger than 700 are not supplied.

MODEL	MARK	MODEL	MARK
KDC-U556BT	M1	KDC-X597	K0

Safe	Symbol No.	Parts No.	Parts Name	Description	QTY	Local
------	------------	-----------	------------	-------------	-----	-------

EXPLODED VIEW (UNIT) <200>

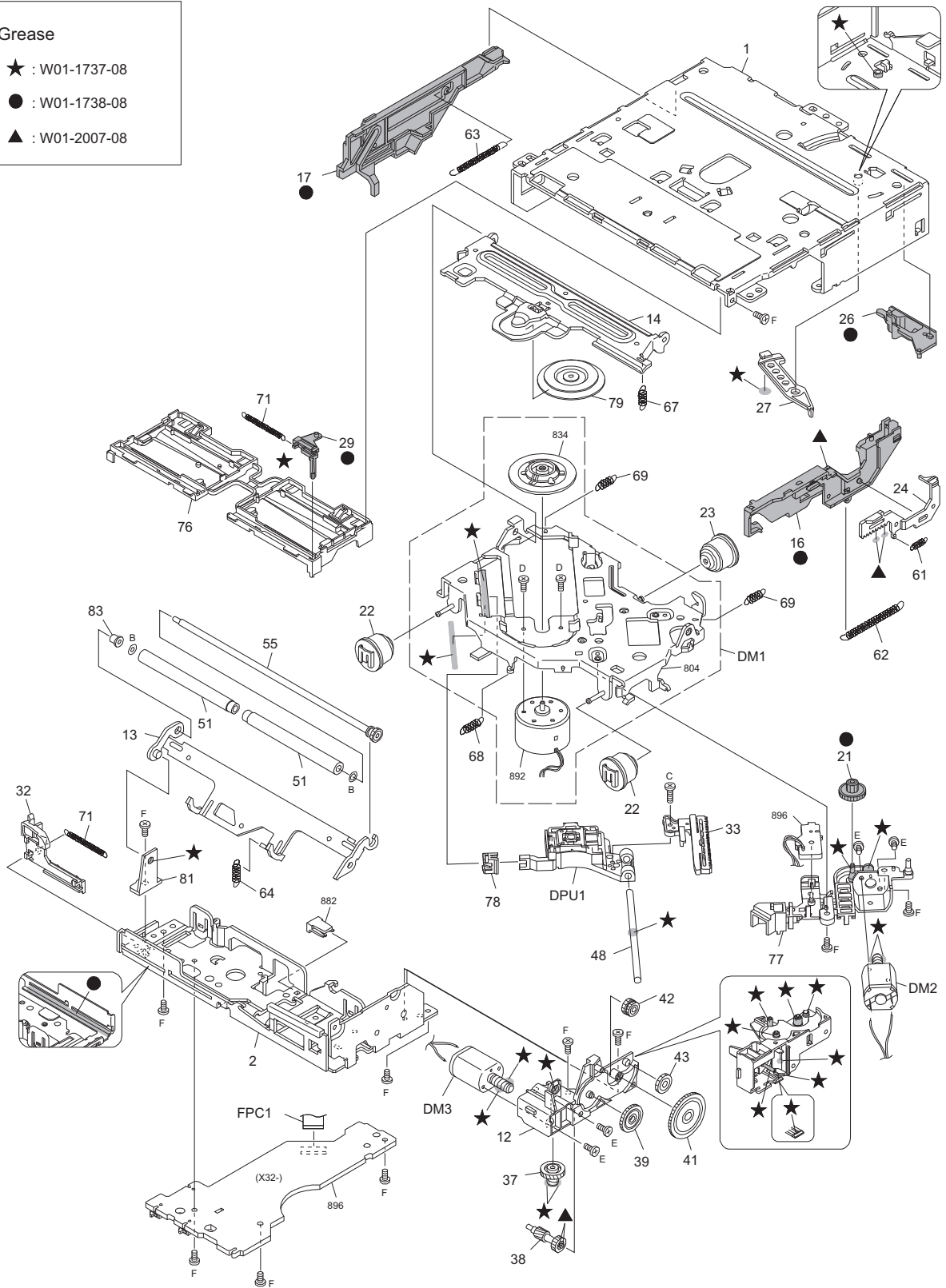
	DC1	QAM1336-001	DC CORD		1	
	DME1	X92-6740-00	MECHANISM ASSY (HCS-1100W)		1	
△	F1	QMFZ064-100-J1	FUSE	10A	1	
	FC1	WJT0313-001A-E	E-CARD WIRE		1	
	PA1	GE20325-013A	F. PANEL ASSY		1	M1
	PA1	GE20325-009A	F. PANEL ASSY		1	K0
	RC1	QAL1303-004	REMOTE CONTROL UNIT (RC-406)		1	
	A	GE40377-002A	SCREW		2	
	B	QYSDST2604ZA	TAP SCREW	M2.6 x 4mm	2	
	C	QYSDST2606ZA	TAP SCREW	M2.6 x 6mm	4	
	D	QYSPSF2008ZA	TAP SCREW	M2 x 8mm	4	
	E	QYSPSF2006ZA	TAP SCREW	M2 x 6mm	1	
	F	GE40662-001A	SPECIAL SCREW		2	
	G	GE40377-005A	SPECIAL SCREW		2	
	H	QYSDST2608ZA	TAP SCREW	M2.6 x 8mm	1	
	J	QYSDST2610ZA	TAP SCREW	M2.6 x 10mm	1	
	K	QYSDSF2608ZA	TAP SCREW	M2.6 x 8mm	1	
	L	QYSDSG3006ZA	TAP SCREW	M3 x 6mm	1	
	M	QYSDST2606ZA	TAP SCREW	M2.6 x 6mm	1	K0
	208	GE35115-001A	F.CHASSIS ASSY		1	
	210	GE35078-001A	LOCK LEVER		1	
	211	GE40504-001A	SPRING		1	
	212	GE35079-001A	RELEASE LEVER		1	
	213	GE40505-001A	SPRING		1	
	215	GE10352-002A	REAR COVER		1	
	216	GE35088-001A	EJECT BUTTON		1	
	217	GE40640-004A	KNOB ASSY (BT)		1	
	219	GE35102-001A	DETACH BUTTON		1	
	220	GE40505-002A	SPRING		1	
	221	GE40635-003A	VOL KNOB RUBBER		1	M1
	221	GE40636-003A	VOL KNOB RUBBER		1	K0
	226	GE20322-001A	LIGHT GUIDE (USB)		1	
	227	GE35097-001A	SRC BUTTON		1	
	228	GE35094-001A	SEARCH BTN		1	
	229	GE20321-001A	PRESET BTN		1	
	230	GE35089-001A	USB DOOR COVER		1	
	231	GE35092-001A	LIGHTING LENS		1	
	232	GE34826-002A	M.SLEEVE ASSY		1	
	233	GE20291-001A	TRIM PLATE		1	
	234	GE40536-001A	SCREW SET		1	
	235	GE34332-002A	HARD CASE ASSY		1	M1
	236	QYSPSF2008MA	TAP SCREW	M2 x 8mm	1	
	237	GE40578-002A	HOOK		2	
	240	GE40520-001A	CARRYING CASE		1	K0
	241	QAM1370-001	CAR CABLE (REAR MIC)		1	
	242	QAN0126-001	MICROPHONE (REAR) (3m)		1	K0
	245	QAN0125-001	MICROPHONE (FRONT) (34mm)		1	M1
	501	GET0858-001A	INST BOOK	ENG FRE SPA	1	K0
	502	GET0860-001A	INST BOOK	ENGLISH	1	M1
	503	GET0860-002A	INST BOOK	ARABIC	1	M1
	504	GE35360-001A	INNER CARTON		1	M1
	504	GE35350-002A	INNER CARTON		1	K0

EXPLODED VIEW (CD MECHANISM: X92-6740-00)

Block No.130

Grease

- ★ : W01-1737-08
- : W01-1738-08
- ▲ : W01-2007-08



Parts with the exploded numbers larger than 800 are not supplied.

MODEL	MARK	MODEL	MARK
KDC-U556BT	M1	KDC-X597	K0

Safe	Symbol No.	Parts No.	Parts Name	Description	QTY	Local
CD MECHANISM <130>						
	DM1	X94-2150-00	SPINDLE MOTOR ASSY		1	
	DM2	X94-2160-00	FEED MOTOR ASSY		1	
	DM3	X94-2170-00	LOADING MOTOR ASSY		1	
	DPU1	QAL1226-001	PICK UP		1	
	FPC1	QAL0817-003	FPC		1	
	B	LV45449-001A	WASHER		2	
	C	QYSPSGT1745ZA	TAP SCREW	M1.7 x 4.5mm	1	
	D	LV45568-001A	MINI SCREW		2	
	E	QYSPSPT2025MA	SCREW	M2 x 2.5mm	4	
	F	VKZ4539-054	MINI SCREW		11	
	1	LV11685-503A	TOP FRAME		1	
	2	LV11686-501A	BOTTOM FRAME		1	
	12	LV11688-501A	LOADING BASE		1	
	13	LV11690-501A	ROLLER ARM		1	
	14	LV22825-502A	HC CLAMPER BASE		1	
	16	LV22826-502A	LOAD CAM		1	
	17	LV22827-501A	FL SLIDER(L)		1	
	21	LV36815-501A	F WHEEL GEAR		1	
	22	LV36904-001A	DAMPER		2	
	23	LV37061-001A	DAMPER		1	
	24	LV38951-501A	TRIGGER RACK		1	
	26	LV38952-501A	FL SLIDER(B)		1	
	27	LV38953-501A	TRIGGER PLATE		1	
	29	LV38957-501A	SW SLIDER(R)		1	
	32	LV39496-502A	SW ACTUATOR (2)		1	
	33	LV38960-501A	FEED RACK		1	
	37	LV38964-501A	D.WHEEL GEAR		1	
	38	LV38965-501A	ACT GEAR(1)		1	
	39	LV38966-501A	ACT GEAR(2)		1	
	41	LV38967-501A	ACT GEAR(3)		1	
	42	LV38968-501A	ROLLER ACT GEAR		1	
	43	LV38969-501A	DRIVE GEAR		1	
	48	LV44555-001A	MAIN SHAFT		1	
	51	LV45424-001A	HC ROLLER		2	
	55	X94-2190-00	ROLLER SHAFT ASSY		1	
	61	LV45415-501A	TRIGGER SPRING		1	
	62	LV45416-501A	LOAD CAM SPRING		1	
	63	LV45417-501A	FL SLIDER SPRING		1	
	64	LV45418-501A	R.ARM SPRING		1	
	67	LV45421-501A	HC CL SPRING		1	
	68	LV45422-501A	SUS SPRING(F)		1	
	69	LV45423-501A	SUS SPRING(B)		2	
	71	LV45505-502A	SW ACT SPRING		2	
	76	LV11689-501A	DISC GUIDE		1	
	77	LV22828-501A	FEED BRACKET		1	
	78	LV36813-501A	SUB GUIDE CAP		1	
	79	LV36819-502A	CLAMPER		1	
	81	LV38954-501A	R.ARM GUIDE		1	
	83	LV45648-501A	RA COLLAR (L) 2		1	

MODEL	MARK	MODEL	MARK
KDC-U556BT	M1	KDC-X597	K0

Safe	Symbol No.	Parts No.	Parts Name	Description	QTY	Local
ELECTRIC UNIT (X34-7450-xx) <X34>						
△	IC1	TEF6614TV1S4-X	IC(ANALOGUE)		1	
	IC80	MFI337S3959-X	MICROPROCESSOR IC		1	
	IC120	BA4560RFVM-W	IC(ANALOGUE)		1	
	IC161	TDA7720B-X	IC(ANALOGUE)		1	
	IC180	XC6223F331PG-X	IC(ANALOGUE)		1	
	IC181	TC4053BFT-X	IC		1	M1
△	IC301	TB2931HQ	IC(ANALOGUE)		1	
△	IC501	LV8281VR-X	INTEGRATED CIRCUIT(MOS-IC)		1	
	IC530	BU33TD3WG-W	IC(ANALOGUE)		1	
	IC531	BU15TD3WG-W	IC(ANALOGUE)		1	
	IC532	BU15TD3WG-W	IC(ANALOGUE)		1	
△	IC540	JCV8023	IC(DIGITAL)		1	
△	IC701	W10-0836-08	INTEGRATED CIRCUIT(MCU)		1	M1
△	IC701	W10-0835-08	INTEGRATED CIRCUIT(MCU)		1	K0
	IC702	BU4828F-W	INTEGRATED CIRCUIT(MOS-IC)		1	
	IC771	BR24T02FJ-W-X	INTEGRATED CIRCUIT(ROM)		1	
	IC801	TC7SH08FU-X	INTEGRATED CIRCUIT(MOS-IC)		1	K0
	IC802	TC7SET08FU-J-X	INTEGRATED CIRCUIT(MOS-IC)		1	K0
△	IC901	LV5680NPVC	IC(ANALOGUE)		1	
	IC931	XC6213B332NG-X	IC		1	
	IC981	BD9673EFJ-X	IC		1	
	Q182	LTC044EUB-X	DIGI TRANSISTOR		1	M1
	Q251	IMX9-W	PAIR TRANSISTOR		1	
	Q321	IMX9-W	PAIR TRANSISTOR		1	
	Q341	IMX9-W	PAIR TRANSISTOR		1	
	Q540	2SA2188/F/-X	TRANSISTOR		1	
	Q701	LTA014YUB-X	DIGI TRANSISTOR		1	
	Q780	LTA024EUB-X	DIGI TRANSISTOR		1	
	Q781	LTC024EUB-X	DIGI TRANSISTOR		1	
	Q782	LTA024EUB-X	DIGI TRANSISTOR		1	
	Q910	2SA2188/F/-X	TRANSISTOR		1	K0
	Q911	LSCR523UB-X	TRANSISTOR		1	K0
	Q951	2SA812/5-6/-X	TRANSISTOR		1	
	Q952	LTC044EUB-X	DIGI TRANSISTOR		1	
	Q970	LSCR523UB-X	TRANSISTOR		1	
	Q971	LSCR523UB-X	TRANSISTOR		1	
	D1	NAF0029-002X	ESD SUPPRESSOR		1	
	D100	RKZ6.2B2KG-X	Z DIODE		1	
	D101	RKZ6.2B2KG-X	Z DIODE		1	
	D110	RKZ6.2B2KG-X	Z DIODE		1	
	D111	RKZ6.2B2KG-X	Z DIODE		1	
	D184	RKZ5.1B2KG-X	Z DIODE		1	
	D251	BAW56-TP-X	SI DIODE		1	
	D321	BAW56-TP-X	SI DIODE		1	
	D341	BAW56-TP-X	SI DIODE		1	
	D502	GS1J-LTP-X	SI DIODE		1	
	D540	RKS801KF-X	SI DIODE		1	
	D704	RKZ6.2B2KG-X	Z DIODE		1	
	D780	BAW56-TP-X	SI DIODE		1	
	D781	BAW56-TP-X	SI DIODE		1	
	D782	RKS801KF-X	SI DIODE		1	
	D783	BAW56-TP-X	SI DIODE		1	
	D851	MBRX130-TP-X	SB DIODE		1	M1
	D852	MBRX130-TP-X	SB DIODE		1	M1
	D891	BAW56-TP-X	SI DIODE		1	
△	D901	1N5401-BPC04	SI DIODE		1	
	D902	MBRX130-TP-X	SB DIODE		1	
	D941	MBRX130-TP-X	SB DIODE		1	
	D942	MBRX130-TP-X	SB DIODE		1	
	D970	RKZ6.8B2KG-X	Z DIODE		1	
	D971	RKZ6.8B2KG-X	Z DIODE		1	
	D981	DB22306-X	SB DIODE		1	
	C1	NCB31HK-102X	C CAPACITOR	1000pF 50V K	1	
	C2	NDC31HJ-4R0X	C CAPACITOR	4pF 50V J	1	M1
	C2	NDC31HJ-7R0X	C CAPACITOR	7pF 50V J	1	K0
	C3	NCB31HK-102X	C CAPACITOR	1000pF 50V K	1	
	C4	NCB31CK-224X	C CAPACITOR	0.22uF 16V K	1	
	C5	NDC31HJ-150X	C CAPACITOR	15pF 50V J	1	
	C6	NDC31HJ-4R0X	C CAPACITOR	4pF 50V J	1	M1
	C6	NDC31HJ-6R0X	C CAPACITOR	6pF 50V J	1	K0
	C7	NDC31HJ-270X	C CAPACITOR	27pF 50V J	1	
	C10	NCB21CK-105X	C CAPACITOR	1uF 16V K	1	
	C11	NCB31HK-103X	C CAPACITOR	0.01uF 50V K	1	
	C12	NCB31HK-103X	C CAPACITOR	0.01uF 50V K	1	
	C13	NCB21CK-105X	C CAPACITOR	1uF 16V K	1	
	C14	NCB31CK-224X	C CAPACITOR	0.22uF 16V K	1	
	C15	NCB31HK-104X	C CAPACITOR	0.1uF 50V K	1	
	C16	NCB31HK-103X	C CAPACITOR	0.01uF 50V K	1	
	C17	NCB31HK-104X	C CAPACITOR	0.1uF 50V K	1	
	C18	NCB31HK-103X	C CAPACITOR	0.01uF 50V K	1	
	C19	NCB31HK-104X	C CAPACITOR	0.1uF 50V K	1	
	C20	NDC31HJ-120X	C CAPACITOR	12pF 50V J	1	
	C21	NCB31HK-104X	C CAPACITOR	0.1uF 50V K	1	
	C22	NCB31HK-104X	C CAPACITOR	0.1uF 50V K	1	
	C23	NCB31HK-104X	C CAPACITOR	0.1uF 50V K	1	
	C24	QEKJ1CM-107Z	E CAPACITOR	100uF 16V M	1	
	C26	NDC31HJ-471X	C CAPACITOR	470pF 50V J	1	

MODEL	MARK	MODEL	MARK
KDC-U556BT	M1	KDC-X597	K0

Safe	Symbol No.	Parts No.	Parts Name	Description	QTY	Local
	C27	NDC31HJ-2R0X	C CAPACITOR	2pF 50V J	1	K0
	C28	NDC31HJ-100X	C CAPACITOR	10pF 50V J	1	K0
	C80	NCB31HK-104X	C CAPACITOR	0.1uF 50V K	1	
	C101	NCB31CK-105X	C CAPACITOR	1uF 16V K	1	
	C102	NCB31CK-105X	C CAPACITOR	1uF 16V K	1	
	C111	NCB31CK-105X	C CAPACITOR	1uF 16V K	1	
	C112	NCB31HK-104X	C CAPACITOR	0.1uF 50V K	1	
	C120	NDC31HJ-470X	C CAPACITOR	47pF 50V J	1	
	C121	NCB31CK-105X	C CAPACITOR	1uF 16V K	1	
	C122	NCB31CK-105X	C CAPACITOR	1uF 16V K	1	
	C123	NDC31HJ-470X	C CAPACITOR	47pF 50V J	1	
	C124	NDC31HJ-470X	C CAPACITOR	47pF 50V J	1	
	C125	NDC31HJ-470X	C CAPACITOR	47pF 50V J	1	
	C126	NCB31CK-105X	C CAPACITOR	1uF 16V K	1	
	C127	NCB31CK-105X	C CAPACITOR	1uF 16V K	1	
	C128	NCB31CK-105X	C CAPACITOR	1uF 16V K	1	
	C129	QEKJ1CM-107Z	E CAPACITOR	100uF 16V M	1	
	C130	NCB31HK-104X	C CAPACITOR	0.1uF 50V K	1	
	C150	NCB31HK-471X	C CAPACITOR	470pF 50V K	1	
	C151	NCB31HK-103X	C CAPACITOR	0.01uF 50V K	1	
	C152	NCB31HK-103X	C CAPACITOR	0.01uF 50V K	1	
	C155	NCB31HK-681X	C CAPACITOR	680pF 50V K	1	
	C156	NCB31HK-681X	C CAPACITOR	680pF 50V K	1	
	C160	QEKJ1EM-106Z	E CAPACITOR	10uF 25V M	1	
	C161	NCB31AK-105X	C CAPACITOR	1uF 10V K	1	
	C162	QERF1HM-475Z	E CAPACITOR	4.7uF 50V M	1	
	C166	NCB31HK-104X	C CAPACITOR	0.1uF 50V K	1	
	C168	NCB31HK-104X	C CAPACITOR	0.1uF 50V K	1	
	C170	NCB31CK-105X	C CAPACITOR	1uF 16V K	1	
	C172	QEKJ1CM-107Z	E CAPACITOR	100uF 16V M	1	
	C173	NCB31AK-105X	C CAPACITOR	1uF 10V K	1	
	C174	QERF1HM-475Z	E CAPACITOR	4.7uF 50V M	1	
	C175	NCB31CK-105X	C CAPACITOR	1uF 16V K	1	
	C177	NCB31AK-105X	C CAPACITOR	1uF 10V K	1	
	C180	NCB31HK-104X	C CAPACITOR	0.1uF 50V K	1	
	C182	NCB31HK-104X	C CAPACITOR	0.1uF 50V K	1	
	C184	NCB10JK-106X-A	C CAPACITOR	10uF 6.3V K	1	
	C185	NCB31HK-103X	C CAPACITOR	0.01uF 50V K	1	
	C186	QERF1HM-475Z	E CAPACITOR	4.7uF 50V M	1	
	C187	QERF1HM-475Z	E CAPACITOR	4.7uF 50V M	1	
	C188	NCB31HK-103X	C CAPACITOR	0.01uF 50V K	1	
	C189	NCB31HK-103X	C CAPACITOR	0.01uF 50V K	1	
	C190	QEKJ1CM-107Z	E CAPACITOR	100uF 16V M	1	
	C191	NCB31HK-104X	C CAPACITOR	0.1uF 50V K	1	
	C192	NCB31HK-104X	C CAPACITOR	0.1uF 50V K	1	
	C193	NCB31HK-103X	C CAPACITOR	0.01uF 50V K	1	M1
	C194	NCB31HK-103X	C CAPACITOR	0.01uF 50V K	1	
	C195	NDC31HJ-471X	C CAPACITOR	470pF 50V J	1	
	C197	NDC31HJ-121X	C CAPACITOR	120pF 50V J	1	
	C199	NCB31HK-471X	C CAPACITOR	470pF 50V K	1	
	C200	NCB31HK-471X	C CAPACITOR	470pF 50V K	1	
	C203	NDC31HJ-470X	C CAPACITOR	47pF 50V J	1	
	C251	QEKJ1HM-106Z	E CAPACITOR	10uF 50V M	1	
	C252	QEKJ1HM-106Z	E CAPACITOR	10uF 50V M	1	
	C253	NDC31HJ-101X	C CAPACITOR	100pF 50V J	1	
	C254	NDC31HJ-101X	C CAPACITOR	100pF 50V J	1	
	C305	NCB21CK-224X-A	C CAPACITOR	0.22uF 16V K	1	
	C306	NCB21CK-224X-A	C CAPACITOR	0.22uF 16V K	1	
	C307	NCB21CK-224X-A	C CAPACITOR	0.22uF 16V K	1	
	C308	NCB21CK-224X-A	C CAPACITOR	0.22uF 16V K	1	
	C309	QEKJ1EM-106Z	E CAPACITOR	10uF 25V M	1	
	C311	NCB31HK-223X	C CAPACITOR	0.022uF 50V K	1	
	C312	NCB31HK-223X	C CAPACITOR	0.022uF 50V K	1	
	C313	NCB21AK-105X-A	C CAPACITOR	1uF 10V K	1	
	C314	NCB31AK-105X	C CAPACITOR	1uF 10V K	1	
	C315	NCB31AK-105X	C CAPACITOR	1uF 10V K	1	
	C320	QEKJ1HM-106Z	E CAPACITOR	10uF 50V M	1	
	C321	NDC31HJ-101X	C CAPACITOR	100pF 50V J	1	
	C330	QEKJ1HM-106Z	E CAPACITOR	10uF 50V M	1	
	C331	NDC31HJ-101X	C CAPACITOR	100pF 50V J	1	
	C340	QEKJ1HM-106Z	E CAPACITOR	10uF 50V M	1	
	C341	NDC31HJ-101X	C CAPACITOR	100pF 50V J	1	
	C350	QEKJ1HM-106Z	E CAPACITOR	10uF 50V M	1	
	C351	NDC31HJ-101X	C CAPACITOR	100pF 50V J	1	
	C368	NCB31HK-103X	C CAPACITOR	0.01uF 50V K	1	
	C501	NCB31HK-104X	C CAPACITOR	0.1uF 50V K	1	
	C504	NCB31HK-104X	C CAPACITOR	0.1uF 50V K	1	
	C505	NCB31HK-473X	C CAPACITOR	0.047uF 50V K	1	
	C506	NCB31CK-224X	C CAPACITOR	0.22uF 16V K	1	
	C507	NCB31HK-104X	C CAPACITOR	0.1uF 50V K	1	
	C513	NCB31HK-104X	C CAPACITOR	0.1uF 50V K	1	
	C514	QERF1AM-107Z	E CAPACITOR	100uF 10V M	1	
	C530	NCB31AK-105X	C CAPACITOR	1uF 10V K	1	
	C531	NCB31HK-104X	C CAPACITOR	0.1uF 50V K	1	
	C532	NCB31CK-105X	C CAPACITOR	1uF 16V K	1	
	C533	NCB31HK-104X	C CAPACITOR	0.1uF 50V K	1	
	C534	NCB31HK-104X	C CAPACITOR	0.1uF 50V K	1	
	C535	NCB31HK-104X	C CAPACITOR	0.1uF 50V K	1	
	C540	NCB31HK-104X	C CAPACITOR	0.1uF 50V K	1	
	C541	NCB31HK-222X	C CAPACITOR	2200pF 50V K	1	
	C542	NCB31HK-104X	C CAPACITOR	0.1uF 50V K	1	
	C543	NCB31HK-103X	C CAPACITOR	0.01uF 50V K	1	
	C544	NCB31HK-332X	C CAPACITOR	3300pF 50V K	1	
	C545	NCB31HK-104X	C CAPACITOR	0.1uF 50V K	1	

MODEL	MARK	MODEL	MARK
KDC-U556BT	M1	KDC-X597	K0

Safe	Symbol No.	Parts No.	Parts Name	Description	QTY	Local
	C546	NCB31CK-105X	C CAPACITOR	1uF 16V K	1	
	C547	NCB31HK-153X	C CAPACITOR	0.015uF 50V K	1	
	C548	NDC31HJ-680X	C CAPACITOR	68pF 50V J	1	
	C549	NCB31HK-104X	C CAPACITOR	0.1uF 50V K	1	
	C550	NCB20JK-106X-R	C CAPACITOR	10uF 6.3V K	1	
	C551	NCB31HK-104X	C CAPACITOR	0.1uF 50V K	1	
	C552	NCB31HK-333X	C CAPACITOR	0.033uF 50V K	1	
	C553	NCB31HK-472X	C CAPACITOR	4700pF 50V K	1	
	C554	NDC31HJ-331X	C CAPACITOR	330pF 50V J	1	
	C555	NDC31HJ-681X	C CAPACITOR	680pF 50V J	1	
	C556	NCB31CK-683X	C CAPACITOR	0.068uF 16V K	1	
	C557	NCB31HK-333X	C CAPACITOR	0.033uF 50V K	1	
	C558	NCB31HK-104X	C CAPACITOR	0.1uF 50V K	1	
	C559	NCB31HK-104X	C CAPACITOR	0.1uF 50V K	1	
	C561	NCB20JK-106X	C CAPACITOR	10uF 6.3V K	1	
	C562	NCB20JK-106X	C CAPACITOR	10uF 6.3V K	1	
	C564	NCB31HK-104X	C CAPACITOR	0.1uF 50V K	1	
	C565	NCB31HK-104X	C CAPACITOR	0.1uF 50V K	1	
	C566	NCB31HK-104X	C CAPACITOR	0.1uF 50V K	1	
	C567	NCB31CK-105X	C CAPACITOR	1uF 16V K	1	
	C568	NCB31HK-104X	C CAPACITOR	0.1uF 50V K	1	
	C569	NCB31HK-104X	C CAPACITOR	0.1uF 50V K	1	
	C570	NCB31HK-104X	C CAPACITOR	0.1uF 50V K	1	
	C571	NDC31HJ-470X	C CAPACITOR	47pF 50V J	1	
	C572	NCB31HK-153X	C CAPACITOR	0.015uF 50V K	1	
	C573	NCB31HK-104X	C CAPACITOR	0.1uF 50V K	1	
	C574	NCB31HK-103X	C CAPACITOR	0.01uF 50V K	1	
	C576	NCB31HK-152X	C CAPACITOR	1500pF 50V K	1	
	C582	NDC31HJ-102X	C CAPACITOR	1000pF 50V J	1	
	C583	NDC31HJ-102X	C CAPACITOR	1000pF 50V J	1	
	C592	NDC31HJ-101X	C CAPACITOR	100pF 50V J	1	
	C593	NDC31HJ-101X	C CAPACITOR	100pF 50V J	1	
	C701	NDC31HJ-180X	C CAPACITOR	18pF 50V J	1	
	C702	NDC31HJ-180X	C CAPACITOR	18pF 50V J	1	
	C703	NCB31HK-103X	C CAPACITOR	0.01uF 50V K	1	
	C704	QEKJ1CM-107Z	E CAPACITOR	100uF 16V M	1	
	C705	NCB31HK-104X	C CAPACITOR	0.1uF 50V K	1	
	C706	NCB31HK-104X	C CAPACITOR	0.1uF 50V K	1	
	C708	NCB31HK-104X	C CAPACITOR	0.1uF 50V K	1	
	C709	NCB31CK-474X	C CAPACITOR	0.47uF 16V K	1	
	C711	NCB31HK-104X	C CAPACITOR	0.1uF 50V K	1	
	C712	NCB31HK-104X	C CAPACITOR	0.1uF 50V K	1	
	C713	NCB31HK-104X	C CAPACITOR	0.1uF 50V K	1	
	C714	NCB31HK-104X	C CAPACITOR	0.1uF 50V K	1	
	C715	NCB31HK-104X	C CAPACITOR	0.1uF 50V K	1	
	C716	NCB31HK-104X	C CAPACITOR	0.1uF 50V K	1	
	C717	NCB31HK-104X	C CAPACITOR	0.1uF 50V K	1	
	C718	NCB31CK-474X	C CAPACITOR	0.47uF 16V K	1	
	C722	NCB10JK-106X-A	C CAPACITOR	10uF 6.3V K	1	
	C723	NCB31HK-473X	C CAPACITOR	0.047uF 50V K	1	
	C724	NDC31HJ-8R0X	C CAPACITOR	8pF 50V J	1	
	C725	NDC31HJ-8R0X	C CAPACITOR	8pF 50V J	1	
	C728	NCB31HK-103X	C CAPACITOR	0.01uF 50V K	1	
	C729	NCB20JK-106X	C CAPACITOR	10uF 6.3V K	1	
	C731	NCB31HK-104X	C CAPACITOR	0.1uF 50V K	1	
	C733	NCB10JK-106X-A	C CAPACITOR	10uF 6.3V K	1	
	C740	NCB31HK-103X	C CAPACITOR	0.01uF 50V K	1	
	C742	NDC31HJ-470X	C CAPACITOR	47pF 50V J	1	
	C743	NCB10JK-106X-A	C CAPACITOR	10uF 6.3V K	1	
	C746	NCB31CK-105X	C CAPACITOR	1uF 16V K	1	M1
	C747	NCB31HK-103X	C CAPACITOR	0.01uF 50V K	1	
	C748	NCB31CK-105X	C CAPACITOR	1uF 16V K	1	
	C749	NCB31HK-103X	C CAPACITOR	0.01uF 50V K	1	
	C750	NCB31HK-103X	C CAPACITOR	0.01uF 50V K	1	
	C791	NCB31CK-105X	C CAPACITOR	1uF 16V K	1	K0
	C796	NDC31HJ-6R0X	C CAPACITOR	6pF 50V J	1	
	C801	NCB31CK-105X	C CAPACITOR	1uF 16V K	1	K0
	C802	NCB31CK-105X	C CAPACITOR	1uF 16V K	1	K0
	C803	NCB31CK-105X	C CAPACITOR	1uF 16V K	1	K0
	C804	NCB31HK-103X	C CAPACITOR	0.01uF 50V K	1	K0
	C805	NCB31HK-103X	C CAPACITOR	0.01uF 50V K	1	K0
	C807	NCB31HK-104X	C CAPACITOR	0.1uF 50V K	1	K0
	C808	NCB31HK-103X	C CAPACITOR	0.01uF 50V K	1	
	C891	NCB31HK-104X	C CAPACITOR	0.1uF 50V K	1	
	C901	QEZ0934-338	E CAPACITOR	3300uF	1	
	C903	QEKJ1CM-476Z	E CAPACITOR	47uF 16V M	1	
	C904	QEKJ1CM-476Z	E CAPACITOR	47uF 16V M	1	
	C905	NCB31HK-104X	C CAPACITOR	0.1uF 50V K	1	
	C906	QEKJ1CM-107Z	E CAPACITOR	100uF 16V M	1	
	C907	QERF0JM-337Z	E CAPACITOR	330uF 6.3V M	1	
	C908	NCB20JK-106X	C CAPACITOR	10uF 6.3V K	1	M1
	C909	NCB31HK-103X	C CAPACITOR	0.01uF 50V K	1	
	C910	QEKJ1EM-106Z	E CAPACITOR	10uF 25V M	1	
	C912	NCB31HK-104X	C CAPACITOR	0.1uF 50V K	1	
	C913	QERF0JM-337Z	E CAPACITOR	330uF 6.3V M	1	
	C915	NCB31CK-474X	C CAPACITOR	0.47uF 16V K	1	
	C917	NCB10JK-106X-A	C CAPACITOR	10uF 6.3V K	1	
	C931	NCB31HK-104X	C CAPACITOR	0.1uF 50V K	1	
	C932	QERF0JM-337Z	E CAPACITOR	330uF 6.3V M	1	
	C933	NCB31HK-104X	C CAPACITOR	0.1uF 50V K	1	
	C941	NCB31HK-104X	C CAPACITOR	0.1uF 50V K	1	
	C954	NCB31HK-104X	C CAPACITOR	0.1uF 50V K	1	
	C963	QERF1AM-107Z	E CAPACITOR	100uF 10V M	1	
	C981	NCB10JK-106X-A	C CAPACITOR	10uF 6.3V K	1	
	C983	NCB31HK-682X	C CAPACITOR	6800pF 50V K	1	

MODEL	MARK	MODEL	MARK
KDC-U556BT	M1	KDC-X597	K0

Safe	Symbol No.	Parts No.	Parts Name	Description	QTY	Local
	C984	NCB31HK-104X	C CAPACITOR	0.1uF 50V K	1	
	C985	NCJ11EK-106X-R	C CAPACITOR	10uF 25V	1	
	C987	NCB10JK-106X-A	C CAPACITOR	10uF 6.3V K	1	
	C989	NCJ11EK-106X-R	C CAPACITOR	10uF 25V	1	
	C990	NCB31HK-104X	C CAPACITOR	0.1uF 50V K	1	
	R1	NRSA63J-474X	MG RESISTOR	470kΩ 1/16W J	1	M1
	R1	NRSA63J-684X	MG RESISTOR	680kΩ 1/16W J	1	K0
	R2	NRSA63J-474X	MG RESISTOR	470kΩ 1/16W J	1	M1
	R2	NRSA63J-684X	MG RESISTOR	680kΩ 1/16W J	1	K0
	R3	NRSA63J-101X	MG RESISTOR	100Ω 1/16W J	1	M1
	R4	NRSA63J-472X	MG RESISTOR	4.7kΩ 1/16W J	1	
	R6	NRSA63J-221X	MG RESISTOR	220Ω 1/16W J	1	
	R7	NRSA63J-221X	MG RESISTOR	220Ω 1/16W J	1	
	R8	NRS181J-220X	MG RESISTOR	22Ω 1/8W J	1	
	R9	NRSA63J-0R0X	MG RESISTOR	0Ω 1/10W J	1	M1
	R10	NRSA63J-0R0X	MG RESISTOR	0Ω 1/10W J	1	M1
	R101	NRSA63J-473X	MG RESISTOR	47kΩ 1/16W J	1	
	R111	NRSA63J-473X	MG RESISTOR	47kΩ 1/16W J	1	
	R112	NRSA63J-471X	MG RESISTOR	470Ω 1/16W J	1	
	R120	NRSA63J-223X	MG RESISTOR	22kΩ 1/16W J	1	
	R121	NRSA63J-223X	MG RESISTOR	22kΩ 1/16W J	1	
	R122	NRSA63J-223X	MG RESISTOR	22kΩ 1/16W J	1	
	R123	NRSA63J-223X	MG RESISTOR	22kΩ 1/16W J	1	
	R124	NRSA63J-223X	MG RESISTOR	22kΩ 1/16W J	1	
	R125	NRSA63J-223X	MG RESISTOR	22kΩ 1/16W J	1	
	R126	NRSA63J-223X	MG RESISTOR	22kΩ 1/16W J	1	
	R127	NRSA63J-223X	MG RESISTOR	22kΩ 1/16W J	1	
	R128	NRSA63J-222X	MG RESISTOR	2.2kΩ 1/16W J	1	
	R129	NRSA63J-222X	MG RESISTOR	2.2kΩ 1/16W J	1	
	R130	NRSA63J-2R2X	MG RESISTOR	2.2Ω 1/16W J	1	
	R151	NRSA63J-0R0X	MG RESISTOR	0Ω 1/10W J	1	
	R161	NRSA63J-103X	MG RESISTOR	10kΩ 1/16W J	1	
	R162	NRSA63J-0R0X	MG RESISTOR	0Ω 1/10W J	1	
	R163	NRS181J-101X	MG RESISTOR	100Ω 1/8W J	1	
	R165	NRS181J-101X	MG RESISTOR	100Ω 1/8W J	1	
	R168	NRS181J-0R0X	MG RESISTOR	0Ω 1/8W J	1	M1
	R169	NRS181J-0R0X	MG RESISTOR	0Ω 1/8W J	1	K0
	R177	NRSA63J-222X	MG RESISTOR	2.2kΩ 1/16W J	1	
	R178	NRSA63J-0R0X	MG RESISTOR	0Ω 1/10W J	1	
	R181	NRSA63J-473X	MG RESISTOR	47kΩ 1/16W J	1	
	R182	NRSA63J-473X	MG RESISTOR	47kΩ 1/16W J	1	
	R183	NRSA63J-472X	MG RESISTOR	4.7kΩ 1/16W J	1	
	R187	NRSA63J-472X	MG RESISTOR	4.7kΩ 1/16W J	1	
	R188	NRSA63J-101X	MG RESISTOR	100Ω 1/16W J	1	
	R189	NRSA63J-101X	MG RESISTOR	100Ω 1/16W J	1	
	R190	NRSA63J-101X	MG RESISTOR	100Ω 1/16W J	1	
	R192	NRSA63J-222X	MG RESISTOR	2.2kΩ 1/16W J	1	
	R195	NRSA63J-0R0X	MG RESISTOR	0Ω 1/10W J	1	K0
	R196	NRSA63J-0R0X	MG RESISTOR	0Ω 1/10W J	1	K0
	R197	NRS181J-103X	MG RESISTOR	10kΩ 1/8W J	1	M1
	R198	NRSA63J-473X	MG RESISTOR	47kΩ 1/16W J	1	M1
	R199	NRSA63J-103X	MG RESISTOR	10kΩ 1/16W J	1	
	R201	NRS181J-181X	MG RESISTOR	180Ω 1/8W J	1	
	R202	NRS181J-181X	MG RESISTOR	180Ω 1/8W J	1	
	R251	NRSA63J-472X	MG RESISTOR	4.7kΩ 1/16W J	1	
	R252	NRSA63J-472X	MG RESISTOR	4.7kΩ 1/16W J	1	
	R253	NRSA63J-331X	MG RESISTOR	330Ω 1/16W J	1	
	R254	NRSA63J-331X	MG RESISTOR	330Ω 1/16W J	1	
	R255	NRSA63J-223X	MG RESISTOR	22kΩ 1/16W J	1	
	R256	NRSA63J-223X	MG RESISTOR	22kΩ 1/16W J	1	
	R257	NRSA63J-181X	MG RESISTOR	180Ω 1/16W J	1	
	R258	NRSA63J-181X	MG RESISTOR	180Ω 1/16W J	1	
	R302	NRSA63J-473X	MG RESISTOR	47kΩ 1/16W J	1	
	R304	NRSA63J-0R0X	MG RESISTOR	0Ω 1/10W J	1	
	R307	NRSA63J-0R0X	MG RESISTOR	0Ω 1/10W J	1	
	R308	NRSA63J-222X	MG RESISTOR	2.2kΩ 1/16W J	1	
	R310	NRS181J-5R1X	MG RESISTOR	5.1Ω 1/8W J	1	
	R320	NRSA63J-331X	MG RESISTOR	330Ω 1/16W J	1	
	R321	NRSA63J-223X	MG RESISTOR	22kΩ 1/16W J	1	
	R322	NRSA63J-181X	MG RESISTOR	180Ω 1/16W J	1	
	R324	NRSA63J-0R0X	MG RESISTOR	0Ω 1/10W J	1	
	R330	NRSA63J-331X	MG RESISTOR	330Ω 1/16W J	1	
	R331	NRSA63J-223X	MG RESISTOR	22kΩ 1/16W J	1	
	R332	NRSA63J-181X	MG RESISTOR	180Ω 1/16W J	1	
	R334	NRSA63J-0R0X	MG RESISTOR	0Ω 1/10W J	1	
	R340	NRSA63J-331X	MG RESISTOR	330Ω 1/16W J	1	
	R341	NRSA63J-223X	MG RESISTOR	22kΩ 1/16W J	1	
	R342	NRSA63J-181X	MG RESISTOR	180Ω 1/16W J	1	
	R347	NRSA63J-472X	MG RESISTOR	4.7kΩ 1/16W J	1	
	R349	NRSA63J-472X	MG RESISTOR	4.7kΩ 1/16W J	1	
	R350	NRSA63J-331X	MG RESISTOR	330Ω 1/16W J	1	
	R351	NRSA63J-223X	MG RESISTOR	22kΩ 1/16W J	1	
	R352	NRSA63J-181X	MG RESISTOR	180Ω 1/16W J	1	
	R357	NRSA63J-472X	MG RESISTOR	4.7kΩ 1/16W J	1	
	R358	NRSA63J-472X	MG RESISTOR	4.7kΩ 1/16W J	1	
	R400	NRZ0084-0R0X	MG RESISTOR	0Ω	1	
	R401	NRZ0084-0R0X	MG RESISTOR	0Ω	1	
	R402	NRS181J-0R0X	MG RESISTOR	0Ω 1/8W J	1	
	R403	NRSA63J-0R0X	MG RESISTOR	0Ω 1/10W J	1	
	R405	NRS181J-0R0X	MG RESISTOR	0Ω 1/8W J	1	
	R406	NRS181J-0R0X	MG RESISTOR	0Ω 1/8W J	1	
	R407	NRSA63J-0R0X	MG RESISTOR	0Ω 1/10W J	1	
	R408	NRS181J-0R0X	MG RESISTOR	0Ω 1/8W J	1	
	R409	NRS181J-0R0X	MG RESISTOR	0Ω 1/8W J	1	

MODEL	MARK	MODEL	MARK
KDC-U556BT	M1	KDC-X597	K0

Safe	Symbol No.	Parts No.	Parts Name	Description	QTY	Local
	R410	NRZ0084-0R0X	MG RESISTOR	0Ω	1	
	R411	NRS181J-0R0X	MG RESISTOR	0Ω 1/8W J	1	
	R413	NRS181J-0R0X	MG RESISTOR	0Ω 1/8W J	1	
	R414	NRS181J-0R0X	MG RESISTOR	0Ω 1/8W J	1	
	R416	NRS181J-0R0X	MG RESISTOR	0Ω 1/8W J	1	K0
	R417	NRSA63J-0R0X	MG RESISTOR	0Ω 1/10W J	1	
	R418	NRSA63J-0R0X	MG RESISTOR	0Ω 1/10W J	1	
	R419	NRSA63J-0R0X	MG RESISTOR	0Ω 1/10W J	1	
	R421	NRS181J-0R0X	MG RESISTOR	0Ω 1/8W J	1	
	R422	NRSA63J-0R0X	MG RESISTOR	0Ω 1/10W J	1	
	R430	NRS181J-0R0X	MG RESISTOR	0Ω 1/8W J	1	
	R431	NRS181J-0R0X	MG RESISTOR	0Ω 1/8W J	1	
	R432	NRSA63J-0R0X	MG RESISTOR	0Ω 1/10W J	1	
	R436	NRSA63J-0R0X	MG RESISTOR	0Ω 1/10W J	1	
	R437	NRSA63J-0R0X	MG RESISTOR	0Ω 1/10W J	1	
	R440	NRSA63J-0R0X	MG RESISTOR	0Ω 1/10W J	1	
	R501	NRSA63J-114X	MG RESISTOR	110kΩ 1/16W J	1	
	R502	NRSA63J-0R0X	MG RESISTOR	0Ω 1/10W J	1	
	R503	NRSA63J-0R0X	MG RESISTOR	0Ω 1/10W J	1	
	R504	NRSA63J-274X	MG RESISTOR	270kΩ 1/16W J	1	
	R505	NRSA63J-104X	MG RESISTOR	100kΩ 1/16W J	1	
	R506	NRSA63J-303X	MG RESISTOR	30kΩ 1/16W J	1	
	R507	NRSA63J-563X	MG RESISTOR	56kΩ 1/16W J	1	
	R508	NRSA63J-0R0X	MG RESISTOR	0Ω 1/10W J	1	
	R509	NRSA63J-0R0X	MG RESISTOR	0Ω 1/10W J	1	
	R510	NRSA63J-473X	MG RESISTOR	47kΩ 1/16W J	1	
	R511	NRSA63J-133X	MG RESISTOR	13kΩ 1/16W J	1	
	R512	NRSA63J-0R0X	MG RESISTOR	0Ω 1/10W J	1	
	R513	NRSA63J-0R0X	MG RESISTOR	0Ω 1/10W J	1	
	R516	NRSA63J-333X	MG RESISTOR	33kΩ 1/16W J	1	
	R518	NRSA63J-0R0X	MG RESISTOR	0Ω 1/10W J	1	
	R519	NRSA63J-333X	MG RESISTOR	33kΩ 1/16W J	1	
	R530	NRS181J-0R0X	MG RESISTOR	0Ω 1/8W J	1	
	R534	NRSA63J-473X	MG RESISTOR	47kΩ 1/16W J	1	
	R539	NRSA63J-0R0X	MG RESISTOR	0Ω 1/10W J	1	
	R540	NRSA63J-221X	MG RESISTOR	220Ω 1/16W J	1	
	R545	NRSA63J-225X	MG RESISTOR	2.2MΩ 1/16W J	1	
	R547	NRSA63J-4R7X	MG RESISTOR	4.7Ω 1/16W J	1	
	R548	NRSA63J-104X	MG RESISTOR	100kΩ 1/16W J	1	
	R549	NRSA63J-102X	MG RESISTOR	1kΩ 1/16W J	1	
	R550	NRSA63J-472X	MG RESISTOR	4.7kΩ 1/16W J	1	
	R553	NRSA63J-473X	MG RESISTOR	47kΩ 1/16W J	1	
	R554	NRSA02J-4R7X	MG RESISTOR	4.7Ω 1/10W J	1	
	R555	NRSA02J-4R7X	MG RESISTOR	4.7Ω 1/10W J	1	
	R556	NRSA63J-0R0X	MG RESISTOR	0Ω 1/10W J	1	
	R557	NRSA63J-471X	MG RESISTOR	470Ω 1/16W J	1	
	R558	NRSA63J-105X	MG RESISTOR	1MΩ 1/16W J	1	
	R559	NRSA63J-101X	MG RESISTOR	100Ω 1/16W J	1	
	R560	NRSA63J-101X	MG RESISTOR	100Ω 1/16W J	1	
	R561	NRSA63J-101X	MG RESISTOR	100Ω 1/16W J	1	
	R562	NRSA63J-332X	MG RESISTOR	3.3kΩ 1/16W J	1	
	R563	NRSA63J-391X	MG RESISTOR	390Ω 1/16W J	1	
	R564	NRSA63J-391X	MG RESISTOR	390Ω 1/16W J	1	
	R565	NRSA63J-103X	MG RESISTOR	10kΩ 1/16W J	1	
	R566	NRSA63J-103X	MG RESISTOR	10kΩ 1/16W J	1	
	R567	NRSA63J-101X	MG RESISTOR	100Ω 1/16W J	1	
	R568	NRSA63J-101X	MG RESISTOR	100Ω 1/16W J	1	
	R569	NRSA63J-101X	MG RESISTOR	100Ω 1/16W J	1	
	R570	NRSA63J-101X	MG RESISTOR	100Ω 1/16W J	1	
	R571	NRSA63J-103X	MG RESISTOR	10kΩ 1/16W J	1	
	R572	NRSA63J-104X	MG RESISTOR	100kΩ 1/16W J	1	
	R573	NRSA63J-334X	MG RESISTOR	330kΩ 1/16W J	1	
	R574	NRSA63J-153X	MG RESISTOR	15kΩ 1/16W J	1	
	R575	NRSA63J-332X	MG RESISTOR	3.3kΩ 1/16W J	1	
	R576	NRSA63J-103X	MG RESISTOR	10kΩ 1/16W J	1	
	R577	NRSA63J-103X	MG RESISTOR	10kΩ 1/16W J	1	
	R595	NRSA63J-202X	MG RESISTOR	2kΩ 1/16W J	1	
	R596	NRSA63J-202X	MG RESISTOR	2kΩ 1/16W J	1	
	R701	NRSA63J-0R0X	MG RESISTOR	0Ω 1/10W J	1	
	R702	NRSA63J-222X	MG RESISTOR	2.2kΩ 1/16W J	1	
	R703	NRSA63J-911X	MG RESISTOR	910Ω 1/16W J	1	
	R704	NRSA63J-911X	MG RESISTOR	910Ω 1/16W J	1	
	R705	NRSA63J-222X	MG RESISTOR	2.2kΩ 1/16W J	1	
	R706	NRSA63J-911X	MG RESISTOR	910Ω 1/16W J	1	
	R707	NRSA63J-104X	MG RESISTOR	100kΩ 1/16W J	1	
	R712	NRSA63J-911X	MG RESISTOR	910Ω 1/16W J	1	
	R718	NRSA63J-473X	MG RESISTOR	47kΩ 1/16W J	1	
	R720	NRSA63J-473X	MG RESISTOR	47kΩ 1/16W J	1	
	R721	NRSA63J-105X	MG RESISTOR	1MΩ 1/16W J	1	
	R722	NRSA63J-473X	MG RESISTOR	47kΩ 1/16W J	1	
	R723	NRSA63J-473X	MG RESISTOR	47kΩ 1/16W J	1	
	R725	NRSA63J-473X	MG RESISTOR	47kΩ 1/16W J	1	
	R726	NRSA63J-473X	MG RESISTOR	47kΩ 1/16W J	1	
	R727	NRSA63J-473X	MG RESISTOR	47kΩ 1/16W J	1	
	R728	NRSA63J-473X	MG RESISTOR	47kΩ 1/16W J	1	
	R730	NRS181J-473X	MG RESISTOR	47kΩ 1/8W J	1	
	R731	NRSA63J-473X	MG RESISTOR	47kΩ 1/16W J	1	
	R732	NRSA63J-101X	MG RESISTOR	100Ω 1/16W J	1	
	R735	NRSA63J-473X	MG RESISTOR	47kΩ 1/16W J	1	
	R736	NRSA63J-473X	MG RESISTOR	47kΩ 1/16W J	1	
	R737	NRSA63J-911X	MG RESISTOR	910Ω 1/16W J	1	
	R738	NRSA63J-222X	MG RESISTOR	2.2kΩ 1/16W J	1	
	R739	NRSA63J-103X	MG RESISTOR	10kΩ 1/16W J	1	
	R740	NRS181J-103X	MG RESISTOR	10kΩ 1/8W J	1	

MODEL	MARK	MODEL	MARK
KDC-U556BT	M1	KDC-X597	K0

Safe	Symbol No.	Parts No.	Parts Name	Description	QTY	Local
	R741	NRSA63J-103X	MG RESISTOR	10kΩ 1/16W J	1	
	R742	NRSA63J-473X	MG RESISTOR	47kΩ 1/16W J	1	
	R743	NRSA63J-473X	MG RESISTOR	47kΩ 1/16W J	1	
	R745	NRSA63J-101X	MG RESISTOR	100Ω 1/16W J	1	
	R746	NRSA63J-473X	MG RESISTOR	47kΩ 1/16W J	1	
	R747	NRSA63J-243X	MG RESISTOR	24kΩ 1/16W J	1	
	R749	NRSA63J-332X	MG RESISTOR	3.3kΩ 1/16W J	1	
	R750	NRSA63J-332X	MG RESISTOR	3.3kΩ 1/16W J	1	
	R751	NRSA63J-223X	MG RESISTOR	22kΩ 1/16W J	1	
	R752	NRSA63J-473X	MG RESISTOR	47kΩ 1/16W J	1	
	R753	NRSA63J-332X	MG RESISTOR	3.3kΩ 1/16W J	1	
	R754	NRSA63J-332X	MG RESISTOR	3.3kΩ 1/16W J	1	
	R755	NRSA63J-103X	MG RESISTOR	10kΩ 1/16W J	1	
	R756	NRSA63J-223X	MG RESISTOR	22kΩ 1/16W J	1	
	R757	NRSA63J-104X	MG RESISTOR	100kΩ 1/16W J	1	
	R758	NRSA63J-104X	MG RESISTOR	100kΩ 1/16W J	1	
	R759	NRSA63J-473X	MG RESISTOR	47kΩ 1/16W J	1	
	R760	NRSA63J-103X	MG RESISTOR	10kΩ 1/16W J	1	
	R761	NRSA63J-103X	MG RESISTOR	10kΩ 1/16W J	1	
	R763	NRSA63J-473X	MG RESISTOR	47kΩ 1/16W J	1	
	R764	NRSA63J-822X	MG RESISTOR	8.2kΩ 1/16W J	1	M1
	R764	NRSA63J-223X	MG RESISTOR	22kΩ 1/16W J	1	K0
	R765	NRSA63J-223X	MG RESISTOR	22kΩ 1/16W J	1	M1
	R765	NRSA63J-273X	MG RESISTOR	27kΩ 1/16W J	1	K0
	R766	NRSA63J-393X	MG RESISTOR	39kΩ 1/16W J	1	M1
	R766	NRSA63J-273X	MG RESISTOR	27kΩ 1/16W J	1	K0
	R767	NRSA63J-273X	MG RESISTOR	27kΩ 1/16W J	1	M1
	R767	NRSA63J-223X	MG RESISTOR	22kΩ 1/16W J	1	K0
	R769	NRSA63J-0R0X	MG RESISTOR	0Ω 1/10W J	1	
	R770	NRSA63J-472X	MG RESISTOR	4.7kΩ 1/16W J	1	
	R771	NRSA63J-472X	MG RESISTOR	4.7kΩ 1/16W J	1	
	R772	NRSA63J-472X	MG RESISTOR	4.7kΩ 1/16W J	1	
	R773	NRSA63J-472X	MG RESISTOR	4.7kΩ 1/16W J	1	
	R774	NRSA63J-472X	MG RESISTOR	4.7kΩ 1/16W J	1	
	R775	NRSA63J-153X	MG RESISTOR	15kΩ 1/16W J	1	
	R776	NRSA63J-153X	MG RESISTOR	15kΩ 1/16W J	1	
	R777	NRSA63J-102X	MG RESISTOR	1kΩ 1/16W J	1	
	R778	NRSA63J-271X	MG RESISTOR	270Ω 1/16W J	1	
	R779	NRSA63J-271X	MG RESISTOR	270Ω 1/16W J	1	
	R780	NRSA63J-473X	MG RESISTOR	47kΩ 1/16W J	1	
	R781	NRSA63J-331X	MG RESISTOR	330Ω 1/16W J	1	
	R782	NRSA63J-821X	MG RESISTOR	820Ω 1/16W J	1	
	R783	NRSA63J-104X	MG RESISTOR	100kΩ 1/16W J	1	
	R784	NRSA63J-103X	MG RESISTOR	10kΩ 1/16W J	1	
	R786	NRSA63J-103X	MG RESISTOR	10kΩ 1/16W J	1	
	R787	NRSA63J-563X	MG RESISTOR	56kΩ 1/16W J	1	
	R789	NRSA63J-270X	MG RESISTOR	27Ω 1/16W J	1	
	R790	NRSA63J-270X	MG RESISTOR	27Ω 1/16W J	1	
	R791	NRSA63J-0R0X	MG RESISTOR	0Ω 1/10W J	1	
	R795	NRSA63J-0R0X	MG RESISTOR	0Ω 1/10W J	1	
	R796	NRSA63J-100X	MG RESISTOR	10Ω 1/16W J	1	
	R801	NRSA63J-4R7X	MG RESISTOR	4.7Ω 1/16W J	1	K0
	R802	NRSA63J-100X	MG RESISTOR	10Ω 1/16W J	1	K0
	R803	NRSA63J-100X	MG RESISTOR	10Ω 1/16W J	1	K0
	R804	NRSA63J-101X	MG RESISTOR	100Ω 1/16W J	1	K0
	R805	NRSA63J-101X	MG RESISTOR	100Ω 1/16W J	1	K0
	R806	NRSA63J-101X	MG RESISTOR	100Ω 1/16W J	1	K0
	R807	NRSA63J-104X	MG RESISTOR	100kΩ 1/16W J	1	K0
	R809	NRSA63J-0R0X	MG RESISTOR	0Ω 1/10W J	1	K0
	R813	NRSA63J-101X	MG RESISTOR	100Ω 1/16W J	1	K0
	R814	NRSA63J-101X	MG RESISTOR	100Ω 1/16W J	1	K0
	R815	NRSA63J-101X	MG RESISTOR	100Ω 1/16W J	1	K0
	R851	NRSA63J-472X	MG RESISTOR	4.7kΩ 1/16W J	1	M1
	R891	NRSA63J-103X	MG RESISTOR	10kΩ 1/16W J	1	
	R892	NRSA63J-683X	MG RESISTOR	68kΩ 1/16W J	1	
	R893	NRS181J-123X	MG RESISTOR	12kΩ 1/8W J	1	
	R894	NRSA63J-0R0X	MG RESISTOR	0Ω 1/10W J	1	
	R901	NRS181J-682X	MG RESISTOR	6.8kΩ 1/8W J	1	
	R902	NRS181J-682X	MG RESISTOR	6.8kΩ 1/8W J	1	
	R905	NRS181J-103X	MG RESISTOR	10kΩ 1/8W J	1	
	R906	NRSA63J-562X	MG RESISTOR	5.6kΩ 1/16W J	1	
	R907	NRSA63J-155X	MG RESISTOR	1.5MΩ 1/16W J	1	
	R908	NRSA63J-472X	MG RESISTOR	4.7kΩ 1/16W J	1	
	R909	NRSA63J-273X	MG RESISTOR	27kΩ 1/16W J	1	
	R910	NRS181J-0R0X	MG RESISTOR	0Ω 1/8W J	1	M1
	R911	NRSA63J-122X	MG RESISTOR	1.2kΩ 1/16W J	1	K0
	R912	NRSA63J-472X	MG RESISTOR	4.7kΩ 1/16W J	1	K0
	R913	NRSA63J-472X	MG RESISTOR	4.7kΩ 1/16W J	1	K0
	R941	NRS181J-472X	MG RESISTOR	4.7kΩ 1/8W J	1	
	R951	NRSA63J-102X	MG RESISTOR	1kΩ 1/16W J	1	
	R952	NRSA63J-331X	MG RESISTOR	330Ω 1/16W J	1	
	R970	NRSA63J-473X	MG RESISTOR	47kΩ 1/16W J	1	
	R971	NRSA63J-103X	MG RESISTOR	10kΩ 1/16W J	1	
	R972	NRSA63J-103X	MG RESISTOR	10kΩ 1/16W J	1	
	R973	NRSA63J-203X	MG RESISTOR	20kΩ 1/16W J	1	
	R974	NRSA63J-473X	MG RESISTOR	47kΩ 1/16W J	1	
	R975	NRSA02J-473X	MG RESISTOR	47kΩ 1/10W J	1	
	R976	NRSA02J-683X	MG RESISTOR	68kΩ 1/10W J	1	
	R981	NRSA63D-913X	MG RESISTOR	91kΩ 1/16W D	1	
	R982	NRSA63D-273X	MG RESISTOR	27kΩ 1/16W D	1	
	R983	NRSA63J-472X	MG RESISTOR	4.7kΩ 1/16W J	1	
	R984	NRS181J-220X	MG RESISTOR	22Ω 1/8W J	1	
	R986	NRSA63D-114X	MG RESISTOR	110kΩ 1/16W D	1	
	R987	NRSA63J-103X	MG RESISTOR	10kΩ 1/16W J	1	
	R988	NRSA63J-0R0X	MG RESISTOR	0Ω 1/10W J	1	

MODEL	MARK	MODEL	MARK
KDC-U556BT	M1	KDC-X597	K0

Safe	Symbol No.	Parts No.	Parts Name	Description	QTY	Local
	L1	NQL093K-1R0X	PEAKING COIL	1uH K	1	M1
	L1	NQL093K-R47X	PEAKING COIL	0.47uH K	1	K0
	L2	NQL093K-3R3X	PEAKING COIL	3.3uH K	1	M1
	L2	NQL093K-1R8X	PEAKING COIL	1.8uH K	1	K0
	L3	NQL093K-R27X	PEAKING COIL	0.27uH K	1	
	L4	QQR1872-001	RF COIL		1	
	L5	NQL114K-561X	PEAKING COIL	560uH K	1	
	L6	NQL114K-561X	PEAKING COIL	560uH K	1	
	L7	NQL79GM-4R7X	COIL	4.7uH M	1	
	L8	NQL093K-4R7X	PEAKING COIL	4.7uH K	1	K0
	L9	NQL093K-R47X	PEAKING COIL	0.47uH K	1	
	L10	NQL103J-10NX	COIL	10nH J	1	K0
	L11	NQR0251-002X	FERRITE BEADS		1	
	L12	NQR0251-002X	FERRITE BEADS		1	
	L186	NQR0154-006X	FERRITE BEADS		1	
	L187	NQR0154-006X	FERRITE BEADS		1	
	L531	NQR0154-006X	FERRITE BEADS		1	
	L561	NQR0154-006X	FERRITE BEADS		1	
	L562	NQR0154-006X	FERRITE BEADS		1	
	L701	NQL79GM-4R7X	COIL	4.7uH M	1	
	L763	NQR0154-006X	FERRITE BEADS		1	
	L764	NQR0154-006X	FERRITE BEADS		1	
	L765	NQR0154-006X	FERRITE BEADS		1	
	L901	QQR1882-001	CHOKE COIL		1	
	L981	QQLA1AM-220	COIL	22uH M	1	M1
	L981	QQL92AK-220Z	COIL	22uH K	1	K0
	L982	NQLH25M-4R7X	COIL	4.7uH M	1	
	CN180	QGB0519L3-24X	CONNECTOR	B-B (1-24)	1	
	CN181	QGA2001F1-02	CONNECTOR	W-B (1-2)	1	
	CN502	QGF1040F1-26	CONNECTOR	FFC/FPC (1-26)	1	
	CN701	QGZ1102J1-24	CONNECTOR	(1-24)	1	
	CN901	QNZ0607-001	CAR CONNECTOR		1	
	J1	QNB0358-001	ANT TERMINAL		1	
	J321	QNN0866-001	PIN JACK		1	
	J801	QNZ0907-001	CIR CONNECTOR		1	K0
	S701	QSW0648-001Z	TACT SWITCH		1	
	X1	QAX0952-001Z	CRYSTAL		1	
	X540	QAX0929-001Z	C RESONATOR		1	
	X701	NAX1121-001X	CRYSTAL		1	
	X702	QAX0401-001	CRYSTAL	32.768KHz	1	
SWITCH UNIT (X16-7400-xx) <X16>						
	IC601	PCA9624PW-X	IC		1	
	IC602	KSM-2003TN5B	IR SENSOR		1	
	IC603	TPS2065CDBV-X	INTEGRATED CIRCUIT(MOS-IC)		1	
	Q601	LTA014EUB-X	DIGI TRANSISTOR		1	
	Q602	LTA014EUB-X	DIGI TRANSISTOR		1	
	Q603	LTA014EUB-X	DIGI TRANSISTOR		1	
	Q604	LTA014EUB-X	DIGI TRANSISTOR		1	
	Q605	LTC014EUB-X	DIGI TRANSISTOR		1	
	Q609	2SA812/5-6/-X	TRANSISTOR		1	
	Q611	LSCR523UB-X	TRANSISTOR		1	
	D601	RKZ5.1B2KG-X	Z DIODE		1	
	D602	RKZ5.1B2KG-X	Z DIODE		1	
	D603	RKZ5.1B2KG-X	Z DIODE		1	
	D604	RKZ5.1B2KG-X	Z DIODE		1	
	D605	RKZ5.1B2KG-X	Z DIODE		1	
	D606	RKZ5.1B2KG-X	Z DIODE		1	
	D607	RKZ5.1B2KG-X	Z DIODE		1	
	D608	RKZ5.1B2KG-X	Z DIODE		1	
	D609	RKZ5.1B2KG-X	Z DIODE		1	
	D610	RKZ5.1B2KG-X	Z DIODE		1	
	D611	RKZ5.1B2KG-X	Z DIODE		1	M1
	D612	RKZ5.1B2KG-X	Z DIODE		1	M1
	D623	MBRX130-TP-X	SB DIODE		1	
	D650	LRTBR98G-X	LED		1	
	D651	LRTBR98G-X	LED		1	
	D652	LRTBR98G-X	LED		1	
	D653	LRTBR98G-X	LED		1	
	D654	LRTBR98G-X	LED		1	
	D655	LRTBR98G-X	LED		1	
	D656	LRTBR98G-X	LED		1	
	D657	LRTBR98G-X	LED		1	
	D658	LRTBR98G-X	LED		1	
	D660	LRTBR98G-X	LED		1	
	D661	LRTBR98G-X	LED		1	
	D662	SML-D12V8W-X	LED		1	
	D663	SML-310VT-X	LED		1	
	D664	LRTBR98G-X	LED		1	
	C601	NCB31HK-472X	C CAPACITOR	4700pF 50V K	1	
	C602	NCB31HK-472X	C CAPACITOR	4700pF 50V K	1	
	C603	NCJ11EK-106X-R	C CAPACITOR	10uF 25V	1	
	C604	NCJ11EK-106X-R	C CAPACITOR	10uF 25V	1	
	C611	NCB31HK-102X	C CAPACITOR	1000pF 50V K	1	
	C612	NCB31HK-471X	C CAPACITOR	470pF 50V K	1	
	C614	NCB31HK-471X	C CAPACITOR	470pF 50V K	1	
	C615	NCB31HK-102X	C CAPACITOR	1000pF 50V K	1	
	C616	NCB31HK-104X	C CAPACITOR	0.1uF 50V K	1	
	C617	NCB31HK-104X	C CAPACITOR	0.1uF 50V K	1	
	C631	NDC31HJ-270X	C CAPACITOR	27pF 50V J	1	
	C632	NDC31HJ-270X	C CAPACITOR	27pF 50V J	1	
	C633	NCJ11EK-106X-R	C CAPACITOR	10uF 25V	1	
	C634	NDC31HJ-470X	C CAPACITOR	47pF 50V J	1	
	C635	NCB31HK-472X	C CAPACITOR	4700pF 50V K	1	
	C640	NCJ11EK-106X-R	C CAPACITOR	10uF 25V	1	

MODEL	MARK	MODEL	MARK
KDC-U556BT	M1	KDC-X597	K0

Safe	Symbol No.	Parts No.	Parts Name	Description	QTY	Local
	C641	NCB31HK-104X	C CAPACITOR	0.1uF 50V K	1	
	C642	NCB31CK-105X	C CAPACITOR	1uF 16V K	1	
	C643	NCB31CK-105X	C CAPACITOR	1uF 16V K	1	
	C650	NCB31CK-105X	C CAPACITOR	1uF 16V K	1	
	C699	NCB20JK-106X	C CAPACITOR	10uF 6.3V K	1	
	R609	NRSA02J-0R0X	MG RESISTOR	0Ω 1/10W J	1	
	R610	NRSA02J-0R0X	MG RESISTOR	0Ω 1/10W J	1	
	R611	NRSA63J-101X	MG RESISTOR	100Ω 1/16W J	1	
	R612	NRSA63J-101X	MG RESISTOR	100Ω 1/16W J	1	
	R613	NRSA63J-0R0X	MG RESISTOR	0Ω 1/10W J	1	
	R615	NRSA63J-101X	MG RESISTOR	100Ω 1/16W J	1	
	R616	NRSA63J-101X	MG RESISTOR	100Ω 1/16W J	1	
	R617	NRSA63J-473X	MG RESISTOR	47kΩ 1/16W J	1	
	R618	NRSA63J-101X	MG RESISTOR	100Ω 1/16W J	1	
	R619	NRSA63J-101X	MG RESISTOR	100Ω 1/16W J	1	
	R620	NRSA63J-101X	MG RESISTOR	100Ω 1/16W J	1	
	R622	NRSA63J-101X	MG RESISTOR	100Ω 1/16W J	1	
	R623	NRSA63J-101X	MG RESISTOR	100Ω 1/16W J	1	
	R624	NRSA63J-104X	MG RESISTOR	100kΩ 1/16W J	1	
	R625	NRSA63J-4R7X	MG RESISTOR	4.7Ω 1/16W J	1	
	R626	NRSA63J-473X	MG RESISTOR	47kΩ 1/16W J	1	
	R627	NRSA63J-473X	MG RESISTOR	47kΩ 1/16W J	1	
	R628	NRSA63J-473X	MG RESISTOR	47kΩ 1/16W J	1	
	R629	NRSA63J-103X	MG RESISTOR	10kΩ 1/16W J	1	
	R630	NRSA02J-2R0X	MG RESISTOR	2Ω 1/10W J	1	
	R631	NRSA02J-2R0X	MG RESISTOR	2Ω 1/10W J	1	
	R632	NRSA02J-2R0X	MG RESISTOR	2Ω 1/10W J	1	
	R633	NRSA02J-2R0X	MG RESISTOR	2Ω 1/10W J	1	
	R634	NRSA02J-2R0X	MG RESISTOR	2Ω 1/10W J	1	
	R635	NRSA02J-2R0X	MG RESISTOR	2Ω 1/10W J	1	
	R636	NRSA02J-1R8X	MG RESISTOR	1.8Ω 1/10W J	1	
	R637	NRSA63J-0R0X	MG RESISTOR	0Ω 1/10W J	1	
	R638	NRS181J-103X	MG RESISTOR	10kΩ 1/8W J	1	
	R639	NRSA02J-472X	MG RESISTOR	4.7kΩ 1/10W J	1	
	R640	NRSA02J-122X	MG RESISTOR	1.2kΩ 1/10W J	1	
	R641	NRS124J-100X	MG RESISTOR	10Ω 1/2W J	1	
	R645	NRSA63J-101X	MG RESISTOR	100Ω 1/16W J	1	
	R646	NRSA63J-101X	MG RESISTOR	100Ω 1/16W J	1	
	R647	NRSA63J-101X	MG RESISTOR	100Ω 1/16W J	1	
	R648	NRSA63J-472X	MG RESISTOR	4.7kΩ 1/16W J	1	
	R651	NRS181J-911X	MG RESISTOR	910Ω 1/8W J	1	
	R652	NRSA02J-122X	MG RESISTOR	1.2kΩ 1/10W J	1	
	R653	NRSA02J-122X	MG RESISTOR	1.2kΩ 1/10W J	1	
	R656	NRSA63J-272X	MG RESISTOR	2.7kΩ 1/16W J	1	
	R657	NRS181J-911X	MG RESISTOR	910Ω 1/8W J	1	
	R658	NRSA02J-122X	MG RESISTOR	1.2kΩ 1/10W J	1	
	R659	NRSA02J-122X	MG RESISTOR	1.2kΩ 1/10W J	1	
	R660	NRS181J-122X	MG RESISTOR	1.2kΩ 1/8W J	1	
	R661	NRSA63J-302X	MG RESISTOR	3kΩ 1/16W J	1	
	R662	NRSA63J-302X	MG RESISTOR	3kΩ 1/16W J	1	
	R663	NRSA63J-911X	MG RESISTOR	910Ω 1/16W J	1	
	R664	NRSA02J-681X	MG RESISTOR	680Ω 1/10W J	1	
	R665	NRSA02J-681X	MG RESISTOR	680Ω 1/10W J	1	
	R666	NRS181J-681X	MG RESISTOR	680Ω 1/8W J	1	
	R667	NRSA02J-681X	MG RESISTOR	680Ω 1/10W J	1	
	R668	NRSA02J-681X	MG RESISTOR	680Ω 1/10W J	1	
	R669	NRS181J-681X	MG RESISTOR	680Ω 1/8W J	1	
	R670	NRSA02J-681X	MG RESISTOR	680Ω 1/10W J	1	
	R671	NRSA02J-681X	MG RESISTOR	680Ω 1/10W J	1	
	R675	NRS181J-152X	MG RESISTOR	1.5kΩ 1/8W J	1	
	R676	NRSA63J-182X	MG RESISTOR	1.8kΩ 1/16W J	1	
	R677	NRSA63J-182X	MG RESISTOR	1.8kΩ 1/16W J	1	
	R678	NRS181J-122X	MG RESISTOR	1.2kΩ 1/8W J	1	
	R681	NRSA63J-101X	MG RESISTOR	100Ω 1/16W J	1	
	R682	NRSA63J-101X	MG RESISTOR	100Ω 1/16W J	1	
	R683	NRSA63J-302X	MG RESISTOR	3kΩ 1/16W J	1	
	R684	NRSA63J-302X	MG RESISTOR	3kΩ 1/16W J	1	
	R686	NRSA63J-472X	MG RESISTOR	4.7kΩ 1/16W J	1	
	R687	NRSA63J-242X	MG RESISTOR	2.4kΩ 1/16W J	1	
	R688	NRSA63J-302X	MG RESISTOR	3kΩ 1/16W J	1	
	R689	NRS181J-152X	MG RESISTOR	1.5kΩ 1/8W J	1	
	R690	NRSA63J-242X	MG RESISTOR	2.4kΩ 1/16W J	1	
	R691	NRSA63J-302X	MG RESISTOR	3kΩ 1/16W J	1	
	R693	NRS181J-911X	MG RESISTOR	910Ω 1/8W J	1	
	R694	NRSA63J-182X	MG RESISTOR	1.8kΩ 1/16W J	1	
	R695	NRSA63J-182X	MG RESISTOR	1.8kΩ 1/16W J	1	
	R697	NRSA63J-0R0X	MG RESISTOR	0Ω 1/10W J	1	
	R698	NRSA63J-0R0X	MG RESISTOR	0Ω 1/10W J	1	
	L601	NQR0007-002X	FERRITE BEADS		1	
	L602	NQR0007-002X	FERRITE BEADS		1	
	L603	NQR0007-002X	FERRITE BEADS		1	
	L641	NQR0022-005X	FERRITE BEADS		1	
	CN601	QGZ1102K3-24X	CONNECTOR	(1-24)	1	
	CN603	QNZ1076-001	USB CONNECTOR		1	
	CN604	QGA1002F1-02X	CONNECTOR	W-B (1-2)	1	M1
	EN601	QSW1288-001	ROTARY ENCODER		1	
	FL601	QLF0207-001	FL TUBE		1	
	J602	QNS0308-001	3.5 JACK		1	
	LF691	NQR0536-001X	CHOKE COIL		1	
	S601	NSW0246-001X	TACT SWITCH		1	
	S602	NSW0246-001X	TACT SWITCH		1	
	S603	NSW0246-001X	TACT SWITCH		1	
	S604	NSW0246-001X	TACT SWITCH		1	
	S605	NSW0246-001X	TACT SWITCH		1	

MODEL	MARK	MODEL	MARK
KDC-U556BT	M1	KDC-X597	K0

Safe	Symbol No.	Parts No.	Parts Name	Description	QTY	Local
	S606	NSW0246-001X	TACT SWITCH		1	
	S607	NSW0246-001X	TACT SWITCH		1	
	S608	NSW0246-001X	TACT SWITCH		1	
	S609	NSW0246-001X	TACT SWITCH		1	
	S610	NSW0246-001X	TACT SWITCH		1	
	S611	NSW0246-001X	TACT SWITCH		1	
	S612	NSW0246-001X	TACT SWITCH		1	
	S613	NSW0246-001X	TACT SWITCH		1	
	S614	NSW0246-001X	TACT SWITCH		1	
BLUETOOTH UNIT (X17-2180-13) <X17>						
	IC1	S-1132B18U5T1G	IC(ANALOGUE)		1	
	IC2	BA4560RFV	IC(ANALOGUE)		1	
	IC3	TCC860000XEAU	MOS-IC		1	
	IC5	E29LV32BT71F5	ROM IC		1	
	IC6	PCM1780-X	IC		1	
	IC7	A3V28S40FTP-G6	INTEGRATED CIRCUIT(DRAM)		1	
	D1	RKZ5.1KG(B2)	Z DIODE		1	
	C1	CK73HB1A104K	CHIP C	0.10UF 10V K	1	
	C2	CK73HB1A104K	CHIP C	0.10UF 10V K	1	
	C3	CK73HB1H122K	CHIP C	1200PF 50V K	1	
	C4	CC73HCH1H180J	CHIP C	18PF 50V J	1	
	C5	CC73HCH1H331J	CHIP C	330PF 50V J	1	
	C6	CK73HB1A104K	CHIP C	0.10UF 10V K	1	
	C7	CK73HB1A104K	CHIP C	0.10UF 10V K	1	
	C8	CK73HB1A104K	CHIP C	0.10UF 10V K	1	
	C9	CK73GB0J475K	CHIP C	4.7UF 6.3V K	1	
	C10	CK73HB1E103K	CHIP C	0.010UF 25V K	1	
	C11	CK73HB0J105K	CHIP C	1.0UF 6.3V K	1	
	C12	CK73HB1A104K	CHIP C	0.10UF 10V K	1	
	C13	CK73HB1A104K	CHIP C	0.10UF 10V K	1	
	C14	CK73HB1C333K	CHIP C	0.033UF 16V K	1	
	C15	CK73GB0J475K	CHIP C	4.7UF 6.3V K	1	
	C16	CK73HB1C333K	CHIP C	0.033UF 16V K	1	
	C17	CC73HCH1H220J	CHIP C	22PF 50V J	1	
	C18	CK73GB1A105K	CHIP C	1.0UF 10V K	1	
	C19	CK73HB1H471K	CHIP C	470pF 50V K	1	
	C20	CK73HB1A104K	CHIP C	0.10UF 10V K	1	
	C21	CK73HB1H471K	CHIP C	470pF 50V K	1	
	C22	CC73HCH1H100D	CHIP C	10PF 50V D	1	
	C23	CK73HB0J105K	CHIP C	1.0UF 6.3V K	1	
	C24	CK73HB0J105K	CHIP C	1.0UF 6.3V K	1	
	C25	CC73HCH1H100D	CHIP C	10PF 50V D	1	
	C26	CK73HB1H102K	CHIP C	1000PF 50V K	1	
	C28	CK73HB1A104K	CHIP C	0.10UF 10V K	1	
	C29	CK73GB1A105K	CHIP C	1.0UF 10V K	1	
	C30	CK73HB1A104K	CHIP C	0.10UF 10V K	1	
	C31	CK73HB1A104K	CHIP C	0.10UF 10V K	1	
	C32	CK73HB1A104K	CHIP C	0.10UF 10V K	1	
	C33	CK73HB1A104K	CHIP C	0.10UF 10V K	1	
	C35	CK73HB1A104K	CHIP C	0.10UF 10V K	1	
	C36	CK73HB1A104K	CHIP C	0.10UF 10V K	1	
	C37	CK73HB1A104K	CHIP C	0.10UF 10V K	1	
	C38	CK73HB1A104K	CHIP C	0.10UF 10V K	1	
	C39	CK73FB0J106K	CHIP C	10UF 6.3V K	1	
	C40	CK73HB1A104K	CHIP C	0.10UF 10V K	1	
	C41	CK73HB1A104K	CHIP C	0.10UF 10V K	1	
	C42	CK73HB1E103K	CHIP C	0.010UF 25V K	1	
	C43	CK73FB0J106K	CHIP C	10UF 6.3V K	1	
	C44	CK73HB1A104K	CHIP C	0.10UF 10V K	1	
	C45	CK73HB1A104K	CHIP C	0.10UF 10V K	1	
	C46	CK73HB1A104K	CHIP C	0.10UF 10V K	1	
	C47	CK73HB1A104K	CHIP C	0.10UF 10V K	1	
	C48	CK73HB1A104K	CHIP C	0.10UF 10V K	1	
	C49	CK73FB0J106K	CHIP C	10UF 6.3V K	1	
	C50	CK73FB0J106K	CHIP C	10UF 6.3V K	1	
	C51	CK73HB1H222K	CHIP C	2200PF 50V K	1	
	C52	CK73HB1H222K	CHIP C	2200PF 50V K	1	
	C53	CK73HB1A104K	CHIP C	0.10UF 10V K	1	
	C54	CK73HB1A104K	CHIP C	0.10UF 10V K	1	
	C55	CC73HCH1H331J	CHIP C	330PF 50V J	1	
	C300	CK73HB1A104K	CHIP C	0.10UF 10V K	1	
	C301	CK73HB1A104K	CHIP C	0.10UF 10V K	1	
	R1	RK73HB1J472J	CHIP R	4.7K J 1/16W	1	
	R3	RK73HB1J153J	CHIP R	15K J 1/16W	1	
	R4	RK73HB1J153J	CHIP R	15K J 1/16W	1	
	R6	RK73HB1J472J	CHIP R	4.7K J 1/16W	1	
	R7	RK73HB1J472J	CHIP R	4.7K J 1/16W	1	
	R8	RK73HB1J472J	CHIP R	4.7K J 1/16W	1	
	R11	RK73GB2A4R7J	CHIP R	4.7 J 1/10W	1	
	R13	RK73HB1J153J	CHIP R	15K J 1/16W	1	
	R14	RK73HB1J153J	CHIP R	15K J 1/16W	1	
	R15	RK73HB1J103J	CHIP R	10K J 1/16W	1	
	R16	RK73HB1J223J	CHIP R	22K J 1/16W	1	
	R17	RK73HB1J223J	CHIP R	22K J 1/16W	1	
	R18	RK73HB1J220J	CHIP R	22 J 1/16W	1	
	R19	RK73HB1J220J	CHIP R	22 J 1/16W	1	
	R20	RK73HB1J220J	CHIP R	22 J 1/16W	1	
	R21	RK73HB1J220J	CHIP R	22 J 1/16W	1	
	R22	RK73HB1J470J	CHIP R	47 J 1/16W	1	
	R23	RK73HB1J103J	CHIP R	10K J 1/16W	1	
	R25	RK73HB1J822J	CHIP R	8.2K J 1/16W	1	
	R26	RK73HB1J330J	CHIP R	33 J 1/16W	1	
	R27	RK73HB1J330J	CHIP R	33 J 1/16W	1	
	R28	RK73HB1J333J	CHIP R	33K J 1/16W	1	

MODEL	MARK	MODEL	MARK
KDC-U556BT	M1	KDC-X597	K0

Safe	Symbol No.	Parts No.	Parts Name	Description	QTY	Local
R29		RK73HB1J470J	CHIP R	47 J 1/16W	1	
R34		RK73HB1J470J	CHIP R	47 J 1/16W	1	
R35		RK73HB1J472J	CHIP R	4.7K J 1/16W	1	
R38		RK73HB1J472J	CHIP R	4.7K J 1/16W	1	
R39		RK73HB1J472J	CHIP R	4.7K J 1/16W	1	
R40		RK73HB1J472J	CHIP R	4.7K J 1/16W	1	
R41		RK73HB1J472J	CHIP R	4.7K J 1/16W	1	
R42		RK73HB1J470J	CHIP R	47 J 1/16W	1	
R43		RK73HB1J470J	CHIP R	47 J 1/16W	1	
R44		RK73HB1J470J	CHIP R	47 J 1/16W	1	
R45		RK73HB1J124J	CHIP R	120K J 1/16W	1	
R46		RK73HB1J124J	CHIP R	120K J 1/16W	1	
R47		RK73HB1J102J	CHIP R	1.0K J 1/16W	1	
R48		RK73HB1J122J	CHIP R	1.2K J 1/16W	1	
R49		RK73HB1J122J	CHIP R	1.2K J 1/16W	1	
R50		RK73HB1J102J	CHIP R	1.0K J 1/16W	1	
R51		RK73HB1J105J	CHIP R	1.0M J 1/16W	1	
R52		RK73HB1J332J	CHIP R	3.3K J 1/16W	1	
R54		RK73HB1J103J	CHIP R	10K J 1/16W	1	
R55		RK73HB1J103J	CHIP R	10K J 1/16W	1	
R56		RK73HB1J000J	CHIP R	0.0 J 1/16W	1	
R57		RK73HB1J470J	CHIP R	47 J 1/16W	1	
R59		RK73HB1J470J	CHIP R	47 J 1/16W	1	
R61		RK73HB1J472J	CHIP R	4.7K J 1/16W	1	
R62		RK73HB1J470J	CHIP R	47 J 1/16W	1	
R66		RK73HB1J472J	CHIP R	4.7K J 1/16W	1	
R67		RK73HB1J470J	CHIP R	47 J 1/16W	1	
R68		RK73HB1J470J	CHIP R	47 J 1/16W	1	
R69		RK73HB1J470J	CHIP R	47 J 1/16W	1	
R70		RK73HB1J473J	CHIP R	47K J 1/16W	1	
R71		RK73HB1J472J	CHIP R	4.7K J 1/16W	1	
R72		RK73HB1J471J	CHIP R	470 J 1/16W	1	
R73		RK73HB1J471J	CHIP R	470 J 1/16W	1	
R74		RK73FB2B181J	CHIP R	180 J 1/8W	1	
R75		RK73FB2B181J	CHIP R	180 J 1/8W	1	
R80		RK73HB1J000J	CHIP R	0.0 J 1/16W	1	
R81		RK73HB1J000J	CHIP R	0.0 J 1/16W	1	
R82		RK73HB1J000J	CHIP R	0.0 J 1/16W	1	
R83		RK73HB1J000J	CHIP R	0.0 J 1/16W	1	
R88		RK73HB1J000J	CHIP R	0.0 J 1/16W	1	
R89		RK73HB1J000J	CHIP R	0.0 J 1/16W	1	
R91		RK73HB1J223J	CHIP R	22K J 1/16W	1	
R93		RK73HB1J472J	CHIP R	4.7K J 1/16W	1	
R94		RK73FB2B181J	CHIP R	180 J 1/8W	1	
R300		RK73GB2A000J	CHIP R	0.0 J 1/10W	1	
R302		RK73HB1J470J	CHIP R	47 J 1/16W	1	
R303		RK73HB1J470J	CHIP R	47 J 1/16W	1	
R306		RK73HB1J104J	CHIP R	100K J 1/16W	1	
R307		RK73HB1J104J	CHIP R	100K J 1/16W	1	
R311		RK73HB1J102J	CHIP R	1.0K J 1/16W	1	
R323		RK73HB1J104J	CHIP R	100K J 1/16W	1	
A300		W02-5519-15	ELECTRIC CIRCUIT MODULE		1	
CN1		E41-3330-05	SOCKET FOR PIN ASSY		1	
X1		L77-3873-05	CRYSTAL RESONATOR(12.000MH Z)	12.000MHZ	1	
CD PLAYER UNIT (X32-6530-00) IN CD MECHA <X32>						
R1		NRSA63J-131X	MG RESISTOR	130Ω 1/16W J	1	
B1		NRS181J-0R0X	MG RESISTOR	0Ω 1/8W J	1	
CN101		E41-3430-05	FLAT CABLE CONNECTOR		1	
CN102		QGF0522F3-15W	CONNECTOR	FFC/FPC (1-15)	1	
SW1		S68-0157-05	PUSH SWITCH		1	
SW2		S68-0157-05	PUSH SWITCH		1	
SW3		S68-0157-05	PUSH SWITCH		1	
SW4		S68-0157-05	PUSH SWITCH		1	