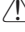

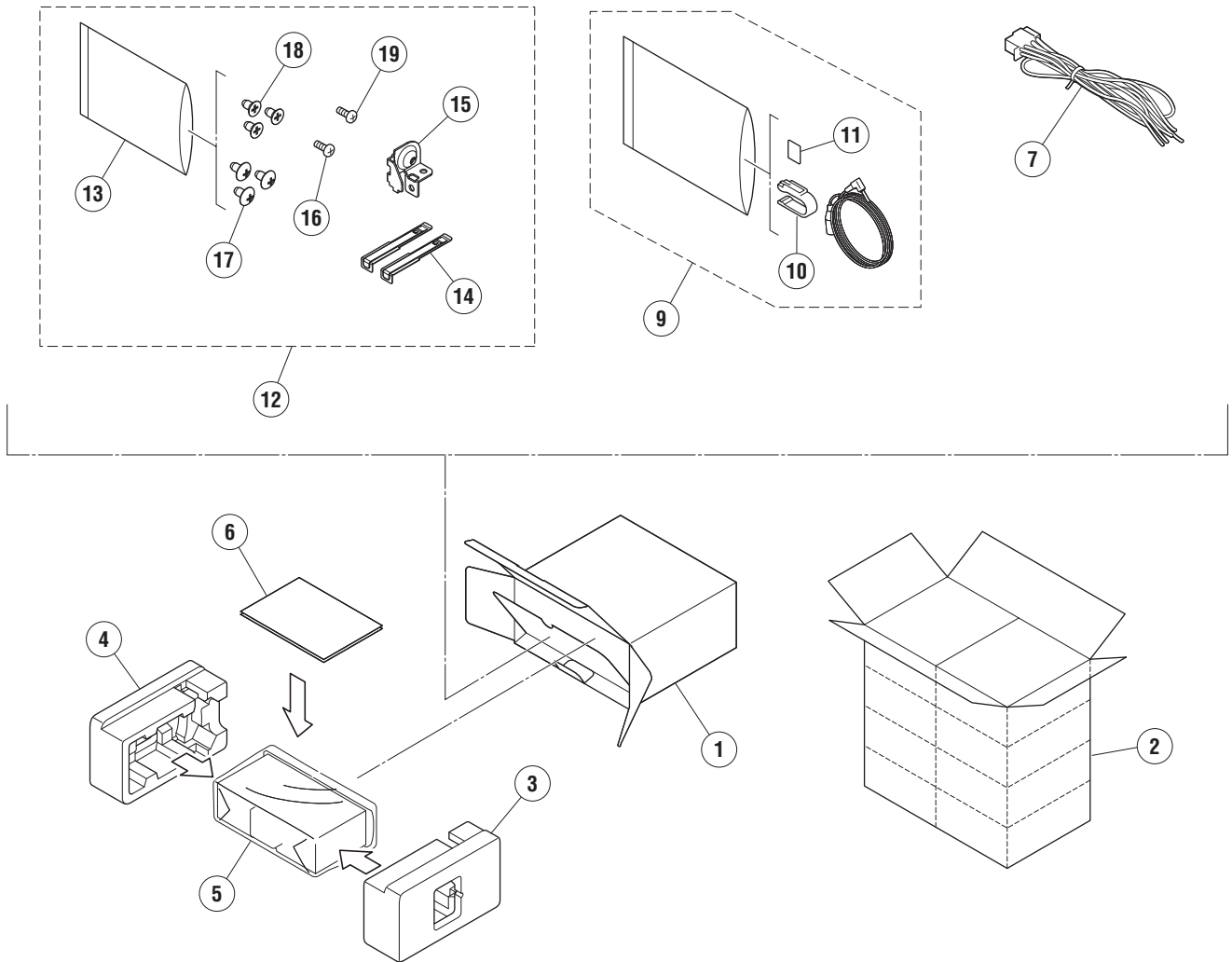


9. EXPLODED VIEWS AND PARTS LIST

- NOTES :
- Parts marked by " * " are generally unavailable because they are not in our Master Spare Parts List.
 - The  mark found on some component parts indicates the importance of the safety factor of the part. Therefore, when replacing, be sure to use parts of identical designation.
 - Screw adjacent to  mark on the product are used for disassembly.
 - For the applying amount of lubricants or glue, follow the instructions in this manual.
(In the case of no amount instructions, apply as you think it appropriate.)

9.1 PACKING SECTION



(1) PACKING SECTION PARTS LIST

| <u>Mark No.</u> | <u>Description</u> | <u>Part No.</u> | <u>Mark No.</u> | <u>Description</u> | <u>Part No.</u> | |
|-----------------|--------------------|-------------------|----------------------------|--------------------|------------------|--------------|
| A | 1 | Unit Box | QHG4406 | 9 | Microphone Assy | CPM1109 |
| | 2 | Contain Box | QHL4406 | 10 | Holder | CZN7192 |
| | 3 | Protector | QHP3066 | 11 | Cushion | CZN7193 |
| | 4 | Protector | QHP3051 | 12 | Accessory Assy | QEA3320 |
| | 5 | Polyethylene Bag | CEG1260 | * 13 | Polyethylene Bag | CEG1160 |
| | 6-1 | Quick Start Guide | QRD3629 | 14 | Handle | QNC3119 |
| | * 6-2 | Web IM | See Contents of Web IM (2) | 15 | Bracket | QNC3086 |
| | * 6-3 | Warranty Card | QRY3001 | 16 | Screw | BSZ26P060FTC |
| | 7 | Cord Assy | CDP1484 | 17 | Screw | CBA2384 |
| | 8 | ••••• | | 18 | Screw | CBA2383 |
| B | | | | 19 | Screw | BPZ20P060FTC |

Quick Start Guide

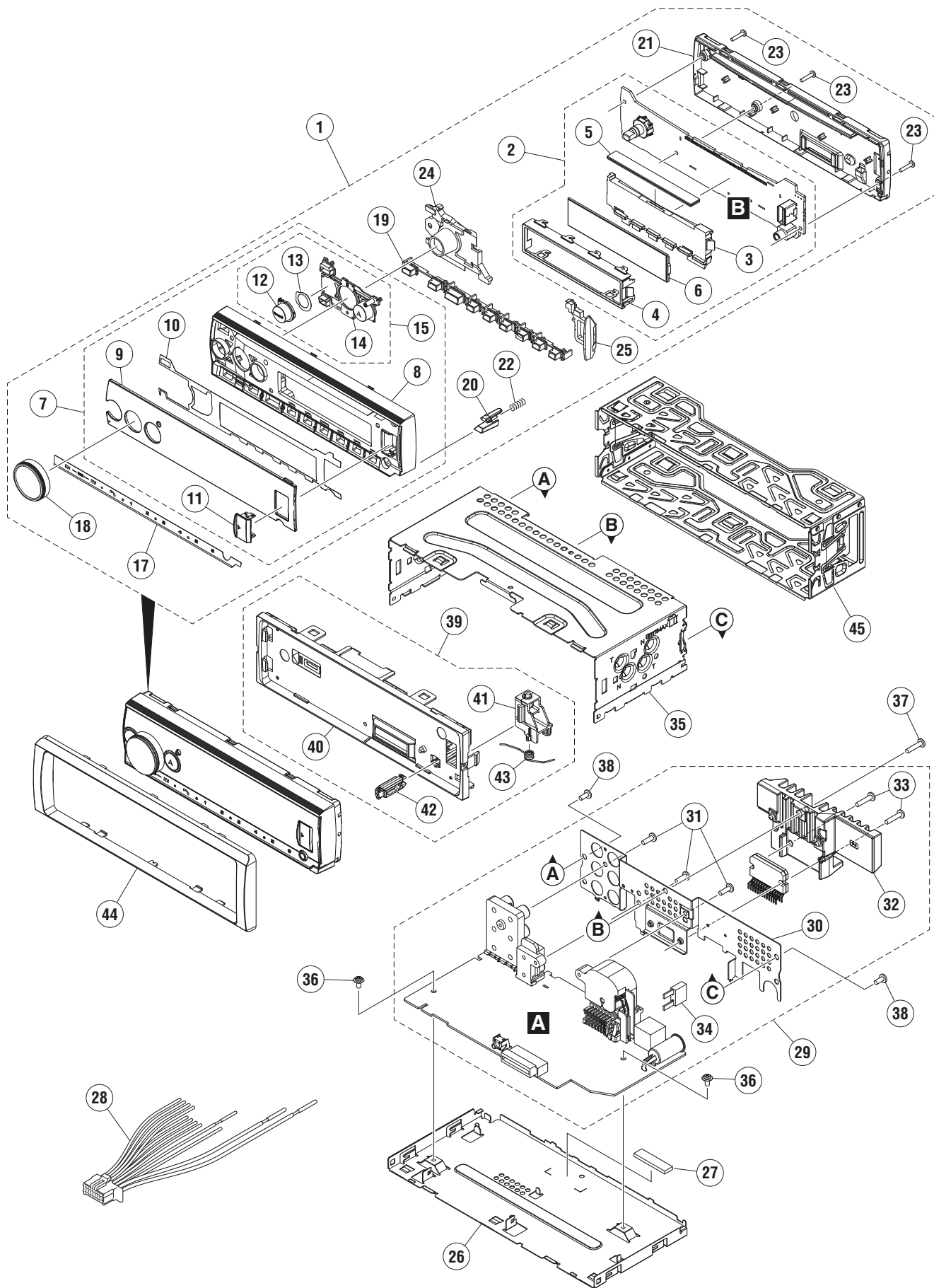
| Part No. | Language |
|-----------------|-----------------------------------|
| QRD3629 | English, French, Spanish(Espanol) |

(2) CONTENTS OF WEB IM

| Part No. | Language |
|-----------------|------------------------------------|
| *QRI3108 | English, French, Spanish (Espanol) |

All operation manuals are supplied in PDF files by the WEB. No printed papers are available.

9.2 EXTERIOR SECTION



EXTERIOR SECTION PARTS LIST

| | <u>Mark No.</u> | <u>Description</u> | <u>Part No.</u> |
|---|-----------------|-------------------------------|-----------------|
| | 1 | Detach Grille Assy | QXA5623 |
| A | 2 | Keyboard Unit | QWM4988 |
| | 3 | Lighting Conductor | QNV3151 |
| | 4 | Holder | QNC3131 |
| | 5 | Rubber Connector | QNV3129 |
| | 6 | Segment LCD(V1801) | CAW2065 |
| | 7 | Grille Unit | QXA5533 |
| * | 8 | Grille | QNS4248 |
| * | 9 | Plate | QNS4245 |
| * | 10 | DS Tape | QNM3227 |
| B | 11 | Door | QAT3034 |
| * | 12 | Button(BASS) | QAC3297 |
| * | 13 | DS Tape | QNM3228 |
| * | 14 | Button(SOURCE,BACK,LIST,DISP) | QAC3302 |
| * | 15 | Button Unit | QXA5426 |
| | 16 | ••••• | |
| | 17 | Plate | QNM3229 |
| | 18 | Knob Unit | QXA5429 |
| | 19 | Button(TRACK,PHONE,1-6) | QAC3296 |
| C | 20 | Button(DETACH) | QAC3305 |
| | 21 | Cover | QNS4247 |
| | 22 | Spring | CBH2210 |
| | 23 | Screw | BPZ20P100FTC |
| | 24 | Lighting Conductor | QNV3150 |
| | 25 | Lighting Conductor | QNV3152 |
| | 26 | Case | QNB3054 |
| | 27 | Heat Cond Sheet | QNM3130 |
| | 28 | Cord Assy | CDP1484 |
| D | 29 | Tuner Amp Unit | QWM4933 |
| | 30 | Holder | QNC3159 |
| | 31 | Screw | BPZ26P080FTC |
| | 32 | Heat Sink | QNR3010 |
| | 33 | Screw | BSZ26P120FTC |
| ⚠ | 34 | Fuse (10 A) | CEK1415 |
| | 35 | Chassis | QNA3037 |
| | 36 | Screw | ASZ26P050FTC |
| | 37 | Screw | BSZ26P120FTC |
| E | 38 | Screw | BSZ26P060FTC |
| | 39 | Panel Assy | QXA5291 |
| | 40 | Panel | QNS4072 |
| * | 41 | Arm | QNV3025 |
| * | 42 | Button | QNV3026 |
| | 43 | Spring | QBH3001 |
| | 44 | Panel | QNS4330 |
| | 45 | Holder | QNC3118 |

F

12. ELECTRICAL PARTS LIST

NOTE:

- Parts whose parts numbers are omitted are subject to being not supplied.
- The part numbers shown below indicate chip components.

Chip Resistor

RS1/○S○○○○J,RS1/○○S○○○○J

Chip Capacitor (except for CQS.....)

CKS....., CCS....., CSZS.....

- Parts marked by " * " are generally unavailable because they are not in our Master Spare Parts List.
- The \triangle mark found on some component parts indicates the importance of the safety factor of the part. Therefore, when replacing, be sure to use parts of identical designation.
- The expression of the unit in this manual is shown by u instead of μ . Please do not make a mistake.

| <u>Circuit Symbol and No.</u> | <u>Part No.</u> | <u>Circuit Symbol and No.</u> | <u>Part No.</u> |
|--|-----------------|-------------------------------|--|
| Unit Number: QWM4933 | | Q 701 | Resistor Built-in Transistor LTA023YEB |
| Unit Name : Tuner Amp Unit | | Q 1101 | Transistor EMD52 |
| Unit Number: QWM4988 | | Q 1102 | Bipolar Transistor LSAR523UB |
| Unit Name : Keyboard Unit | | Q 1241 | Transistor IMH23 |
| A | | Q 1242 | Transistor IMH23 |
| Unit Number: QWM4933 | | Q 1243 | Transistor IMH23 |
| Unit Name : Tuner Amp Unit | | D 101 | Diode D1F60-5053 |
| | | D 102 | Diode D1F60-5053 |
| | | D 111 | Zener Diode UDZV6R8(B) |
| | | D 121 | Switching Diode 1SS355VM |
| | | D 141 | Zener Diode UDZV7R5(B) |
| | | D 201 | RR1VWM4STF |
| | | D 202 | Zener Diode UDZV5R6(B) |
| | | D 221 | Schottky Diode RB751SM-40 |
| MISCELLANEOUS | | D 222 | Schottky Diode RB056LAM-40TF |
| IC 201 Regulator IC NJW4104U2-33A | | D 261 | Zener Diode UDZV6R2(B) |
| IC 211 Regulator IC MM3479A33P | | D 281 | Zener Diode UDZV9R1(B) |
| IC 216 Regulator IC MM3479A12P | | D 291 | Schottky Diode RB551VM-30 |
| IC 221 DC/DC Converter IC KBD9876EFJ | | D 301 | Rectifier Diode RB060MM-30TF |
| IC 241 Regulator IC MM3571A33P | | D 501 | Schottky Diode RB751SM-40 |
| IC 291 DC/DC Converter IC NJW4132U2-A | | D 502 | Schottky Diode RB751SM-40 |
| IC 301 DC/DC Converter IC MM3630BR | | D 513 | Zener Diode UDZV5R1(B) |
| IC 501 Microprocessor IC STA1080 | | D 1101 | Rectifier Diode RR1VWM4STF |
| IC 502 IC S-80827CNMC-B8M | | D 1102 | Rectifier Diode RR1VWM4STF |
| IC 503 Logic IC TC7SET08FUS3 | | D 1103 | Schottky Diode RB751SM-40 |
| IC 504 Buffer Logic IC TC7SH126FUS1 | | D 1201 | Zener Diode RSB6R8SM |
| IC 701 IC 337S3959 | | D 1204 | Zener Diode UDZV18(B) |
| IC 711 RAM IC M12L128168A-5TG2N | | D 1205 | Zener Diode UDZV18(B) |
| IC 731 ROM IC M95512-RMN6P | | D 1206 | Zener Diode RSB6R8SM |
| IC 741 FlashROM Unit QVQ1053 | | D 1207 | Zener Diode RSB6R8SM |
| IC 742 Flash Memory IC W25Q16JVSSIQ | | D 1208 | Zener Diode RSB6R8SM |
| IC 761 E-VOL System LSI BD37068FV | | D 1209 | Zener Diode RSB6R8SM |
| IC 851 Tuner IC TEF6686AHN | | D 1210 | Zener Diode RSB6R8SM |
| IC 1101 Power Amp IC PAL014A | | L 101 | Choke Coil 120 uH CTH1620 |
| IC 1102 Logic IC TC7SH32FUS2 | | L 221 | SMD SPL Inductor CTH1584 |
| Q 111 Resistor Built-in Transistor LTC014TEB | | L 271 | Inductor CTF1736 |
| Q 121 Resistor Built-in Transistor LTC014EEB | | L 291 | SMD SPL Inductor CTH1674 |
| Q 141 Resistor Built-in Transistor LTC014TEB | | L 301 | SMD SPL Inductor CTH1584 |
| Q 251 Bipolar Transistor LSAR523UB | | L 502 | Inductor CTF1645 |
| Q 252 Resistor Built-in Transistor LTC043EEB | | L 557 | Chip Beads VTL1133 |
| Q 261 Transistor TTC016 | | L 711 | Chip Beads VTL1133 |
| Q 262 Transistor EMD52 | | L 854 | Inductor LCMAR27J1608 |
| Q 271 Transistor 2SAR502UB | | L 855 | Inductor CTF1786 |
| Q 272 Resistor Built-in Transistor LTC023YEB | | L 856 | Inductor CTF1787 |
| Q 281 Transistor TTC016 | | | |
| Q 282 Transistor EMD52 | | | |

| <u>Circuit Symbol and No.</u> | | <u>Part No.</u> | <u>Circuit Symbol and No.</u> | <u>Part No.</u> |
|-------------------------------|--------------------------------|--------------------|-------------------------------|-----------------|
| L 860 | Inductor | LCYC150K1608 | R 314 | RS1/8SQ331J |
| L 870 | Inductor | LCMAR22J1608 | R 316 | XRS1/16SS560J |
| L 951 | Chip Ferrite Bead | DTL1107 | R 433 | XRS1/16SS0R0J |
| L 1201 | Noise Filter | CTF1901 | R 434 | XRS1/16SS0R0J |
| X 501 | Resonator 24 MHz | CSS1773 | R 501 | XRS1/16SS222J |
| X 502 | Resonator 32.768 kHz | CSS1807 | R 502 | XRS1/16SS0R0J |
| X 851 | Crystal Resonator 55.46667 MHz | CSS1898 | R 503 | XRS1/16SS221J |
| S 501 | Switch(RESET) | CSG1020 | R 506 | XRS1/16SS473J |
| P 852 | Surge Absorber | IMSA-6803-01Y900 | R 507 | XRS1/16SS473J |
| P 1231 | Poly Switch | FSMD110-24R | R 508 | XRS1/16SS473J |
| P 1243 | Poly Switch | FSMD075-24R | R 509 | XRS1/16SS473J |
| P 1276 | Poly Switch | FSMD075-24R | R 510 | XRS1/16SS473J |
| VA1201 | SMD Varistor | MLV0402ES012V0010N | R 511 | XRS1/16SS473J |
| VA1202 | SMD Varistor | MLV0402ES012V0010N | R 512 | XRS1/16SS0R0J |
| U 951 | BT Module | CWX4751 | R 513 | XRS1/16SS222J |
| CN1201 | Connector | CKS6452 | R 514 | XRS1/16SS101J |
| JA101 | Plug | CKM1624 | R 515 | XRS1/16SS103J |
| JA851 | Antenna Jack | CKX1104 | R 516 | XRS1/16SS101J |
| JA1231 | Connector | CKS3806 | R 517 | XRS1/16SS103J |
| JA1241 | RCA Jack | CKB1113 | R 518 | XRS1/16SS472J |
| JA1276 | Jack | CKN1103 | R 519 | XRS1/16SS271J |
| | | | R 520 | XRS1/16SS101J |
| | | | R 521 | XRS1/16SS473J |
| | | | R 522 | XRS1/16SS471J |
| | | | R 524 | XRS1/16SS3001D |
| R 111 | | XRS1/16SS223J | | |
| R 112 | | XRS1/16SS473J | R 525 | XRS1/16SS103J |
| R 113 | | XRS1/16SS682J | R 526 | XRS1/16SS1213F |
| R 114 | | RS1/4SA102J | R 527 | XRS1/16SS101J |
| R 121 | | XRS1/16SS103J | R 528 | XRS1/16SS222J |
| | | | R 529 | XRS1/16SS3R3J |
| R 123 | | RS1/4SA102J | | |
| R 141 | | XRS1/16SS104J | R 530 | XRS1/16SS3R3J |
| R 142 | | XRS1/16SS473J | R 531 | XRS1/16SS222J |
| R 201 | | XRS1/10SR104J | R 532 | XRS1/16SS222J |
| R 202 | | XRS1/16SS102J | R 533 | XRS1/10SR103J |
| | | | R 534 | XRS1/10SR103J |
| R 223 | | XRS1/16SS472J | | |
| R 225 | | XRS1/16SS2203D | R 536 | XRS1/16SS472J |
| R 226 | | XRS1/16SS6802D | R 538 | XRS1/16SS472J |
| R 227 | | XRS1/10SR471J | R 540 | XRS1/16SS222J |
| R 228 | | XRS1/10SR103J | R 541 | XRS1/16SS472J |
| | | | R 542 | XRS1/10SR472J |
| R 230 | | XRS1/10SR224J | | |
| R 251 | | XRS1/16SS471J | R 545 | XRS1/16SS473J |
| R 252 | | XRS1/16SS103J | R 546 | XRS1/16SS273J |
| R 255 | | XRS1/10SR0R0J | R 547 | XRS1/16SS473J |
| R 261 | | XRS1/10SR123J | R 548 | XRS1/16SS102J |
| | | | R 550 | XRS1/16SS273J |
| R 262 | | XRS1/16SS472J | | |
| R 271 | | XRS1/16SS103J | R 551 | XRS1/16SS103J |
| R 272 | | XRS1/10SR221J | R 552 | XRS1/16SS0R0J |
| R 281 | | XRS1/10SR152J | R 554 | XRS1/16SS222J |
| R 293 | | XRS1/16SS2202D | R 555 | XRS1/16SS135J |
| | | | R 556 | XRS1/16SS102J |
| R 294 | | XRS1/16SS4701D | | |
| R 295 | | XRS1/16SS4303D | R 558 | XRS1/16SS102J |
| R 296 | | XRS1/10SR102J | R 560 | XRS1/16SS473J |
| R 304 | | XRS1/16SS273J | R 561 | XRS1/16SS103J |
| R 305 | | XRS1/16SS3001D | R 562 | XRS1/16SS0R0J |
| | | | R 564 | XRS1/16SS472J |
| R 306 | | XRS1/16SS1602D | | |
| R 308 | | XRS1/16SS5600D | R 565 | XRS1/16SS0R0J |
| R 309 | | XRS1/16SS473J | R 566 | RAB4CQ103J |
| R 310 | | XRS1/16SS304J | R 570 | XRS1/16SS221J |
| R 311 | 0.030 ohm | CCN1322 | R 571 | XRS1/16SS221J |
| | | | R 572 | XRS1/16SS102J |

Circuit Symbol and No.Part No.Circuit Symbol and No.Part No.

| | | | | |
|---|-------|---------------|-------|---------------|
| | | | R 681 | XRS1/16SS472J |
| A | R 573 | XRS1/16SS473J | | |
| | R 574 | XRS1/16SS473J | R 701 | XRS1/16SS103J |
| | R 575 | XRS1/16SS473J | R 702 | XRS1/16SS472J |
| | R 576 | XRS1/16SS0R0J | R 703 | XRS1/16SS101J |
| | R 577 | XRS1/16SS330J | R 704 | XRS1/16SS0R0J |
| | | | R 705 | XRS1/16SS222J |
| | R 578 | XRS1/16SS473J | | |
| | R 579 | XRS1/16SS473J | R 706 | XRS1/16SS222J |
| | R 580 | XRS1/16SS473J | R 707 | XRS1/16SS472J |
| | R 584 | XRS1/16SS102J | R 708 | XRS1/16SS272J |
| | R 586 | XRS1/16SS103J | R 709 | XRS1/16SS473J |
| | | | R 710 | XRS1/16SS0R0J |
| | R 587 | XRS1/16SS0R0J | | |
| | R 591 | XRS1/16SS361J | R 714 | RAB4CQ121J |
| B | R 592 | XRS1/16SS101J | R 715 | RAB4CQ121J |
| | R 597 | XRS1/16SS473J | R 716 | RAB4CQ121J |
| | R 598 | XRS1/16SS102J | R 717 | RAB4CQ121J |
| | | | R 718 | RAB4CQ121J |
| | R 599 | XRS1/16SS102J | | |
| | R 601 | XRS1/16SS101J | R 719 | RAB4CQ121J |
| | R 602 | XRS1/16SS101J | R 720 | RAB4CQ121J |
| | R 603 | XRS1/16SS101J | R 721 | RAB4CQ121J |
| | R 604 | XRS1/16SS101J | R 722 | RAB4CQ121J |
| | | | R 724 | XRS1/16SS121J |
| | R 605 | XRS1/16SS101J | | |
| | R 611 | XRS1/16SS472J | R 731 | XRS1/16SS330J |
| | R 614 | XRS1/16SS473J | R 732 | XRS1/16SS330J |
| C | R 615 | XRS1/16SS103J | R 733 | XRS1/16SS103J |
| | R 616 | XRS1/10SR472J | R 734 | XRS1/16SS103J |
| | | | R 735 | XRS1/16SS103J |
| | R 617 | XRS1/16SS473J | | |
| | R 621 | XRS1/16SS0R0J | R 736 | XRS1/16SS330J |
| | R 627 | XRS1/16SS153J | R 737 | XRS1/16SS330J |
| | R 628 | XRS1/16SS153J | R 741 | XRS1/16SS330J |
| | R 629 | XRS1/16SS472J | R 742 | XRS1/16SS103J |
| | | | R 743 | XRS1/16SS103J |
| | R 630 | XRS1/16SS473J | | |
| | R 631 | XRS1/16SS0R0J | R 744 | XRS1/16SS330J |
| | R 632 | XRS1/16SS473J | R 745 | XRS1/16SS330J |
| | R 633 | XRS1/16SS472J | R 746 | XRS1/16SS103J |
| D | R 634 | XRS1/16SS473J | R 747 | XRS1/16SS330J |
| | | | R 748 | XRS1/16SS330J |
| | R 635 | XRS1/16SS473J | | |
| | R 636 | XRS1/16SS473J | R 749 | XRS1/16SS330J |
| | R 637 | XRS1/16SS221J | R 750 | XRS1/16SS103J |
| | R 638 | XRS1/16SS221J | R 751 | XRS1/16SS103J |
| | R 639 | XRS1/16SS101J | R 753 | XRS1/16SS103J |
| | | | R 761 | XRS1/10SR221J |
| | R 642 | XRS1/16SS221J | | |
| | R 643 | XRS1/16SS101J | R 762 | XRS1/16SS0R0J |
| | R 644 | XRS1/16SS473J | R 763 | XRS1/16SS101J |
| | R 645 | XRS1/16SS101J | R 764 | XRS1/16SS101J |
| | R 647 | XRS1/16SS102J | R 765 | XRS1/16SS222J |
| E | | | R 767 | XRS1/16SS104J |
| | R 648 | XRS1/16SS102J | | |
| | R 651 | XRS1/16SS102J | R 768 | XRS1/16SS181J |
| | R 652 | XRS1/16SS473J | R 851 | XRS1/16SS105J |
| | R 657 | XRS1/16SS101J | R 852 | XRS1/16SS105J |
| | R 658 | XRS1/16SS101J | R 853 | XRS1/16SS391J |
| | | | R 863 | XRS1/16SS103J |
| | R 659 | XRS1/16SS101J | | |
| | R 660 | XRS1/16SS101J | R 868 | XRS1/16SS103J |
| | R 661 | XRS1/16SS101J | R 870 | XRS1/16SS101J |
| | R 663 | XRS1/16SS101J | R 873 | XRS1/16SS472J |
| | R 664 | XRS1/16SS101J | R 874 | XRS1/16SS101J |
| | | | R 875 | XRS1/16SS472J |
| F | R 672 | XRS1/16SS101J | | |
| | R 676 | XRS1/16SS472J | R 890 | XRS1/16SS0R0J |
| | R 677 | XRS1/16SS472J | R 952 | XRS1/16SS221J |
| | R 678 | XRS1/16SS472J | R 953 | XRS1/16SS473J |

| <u>Circuit Symbol and No.</u> | <u>Part No.</u> | <u>Circuit Symbol and No.</u> | <u>Part No.</u> |
|-------------------------------|-----------------|-------------------------------|-----------------|
| R 954 | XRS1/16SS221J | R 1261 | XRS1/16SS0R0J |
| R 958 | XRS1/16SS221J | R 1262 | XRS1/16SS0R0J |
| | | R 1263 | XRS1/16SS0R0J |
| R 960 | XRS1/16SS473J | | |
| R 961 | XRS1/16SS473J | R 1264 | XRS1/16SS0R0J |
| R 1101 | XRS1/16SS123J | R 1265 | XRS1/16SS0R0J |
| R 1102 | XRS1/16SS103J | R 1278 | XRS1/16SS102J |
| R 1103 | XRS1/16SS221J | R 1280 | XRS1/16SS102J |
| | | R 1281 | XRS1/16SS101J |
| R 1106 | XRS1/16SS103J | | |
| R 1107 | XRS1/16SS0R0J | R 1282 | XRS1/16SS101J |
| R 1109 | XRS1/16SS432J | | |
| R 1110 | XRS1/16SS432J | | |
| R 1111 | XRS1/16SS432J | | |
| | | | |
| R 1112 | XRS1/16SS432J | | |
| R 1113 | XRS1/16SS272J | | |
| R 1114 | XRS1/16SS272J | | |
| R 1115 | XRS1/16SS272J | | |
| R 1116 | XRS1/16SS272J | | |
| | | | |
| R 1122 | XRS1/16SS103J | | |
| R 1123 | XRS1/16SS102J | | |
| R 1201 | XRS1/10SR222J | | |
| R 1203 | XRS1/16SS223J | | |
| R 1204 | XRS1/16SS223J | | |
| | | | |
| R 1205 | XRS1/10SR222J | | |
| R 1206 | XRS1/10SR221J | | |
| R 1207 | XRS1/10SR221J | | |
| R 1208 | XRS1/10SR0R0J | | |
| R 1209 | XRS1/10SR222J | | |
| | | | |
| R 1210 | XRS1/10SR222J | | |
| R 1211 | XRS1/10SR222J | | |
| R 1212 | XRS1/10SR222J | | |
| R 1213 | XRS1/16SS123J | | |
| R 1214 | XRS1/10SR222J | | |
| | | | |
| R 1215 | XRS1/10SR101J | | |
| R 1221 | RS1/4SA0R0J | | |
| R 1223 | RS1/4SA0R0J | | |
| R 1231 | XRS1/16SS181J | | |
| R 1232 | XRS1/16SS181J | | |
| | | | |
| R 1233 | XRS1/16SS223J | | |
| R 1234 | XRS1/16SS223J | | |
| R 1235 | XRS1/16SS181J | | |
| R 1236 | XRS1/16SS181J | | |
| R 1237 | XRS1/16SS822J | | |
| | | | |
| R 1238 | XRS1/16SS471J | | |
| R 1239 | XRS1/16SS104J | | |
| R 1241 | XRS1/16SS470J | | |
| R 1242 | XRS1/16SS470J | | |
| R 1243 | XRS1/16SS470J | | |
| | | | |
| R 1244 | XRS1/16SS470J | | |
| R 1245 | XRS1/16SS470J | | |
| R 1246 | XRS1/16SS470J | | |
| R 1247 | XRS1/16SS223J | | |
| R 1248 | XRS1/16SS223J | | |
| | | | |
| R 1249 | XRS1/16SS223J | | |
| R 1250 | XRS1/16SS223J | | |
| R 1251 | XRS1/16SS223J | | |
| R 1252 | XRS1/16SS223J | | |
| R 1253 | XRS1/16SS0R0J | | |
| | | | |
| R 1255 | XRS1/16SS0R0J | | |
| R 1260 | XRS1/16SS0R0J | | |

CAPACITORS

| | | |
|-------|-------|---------------|
| C 101 | | CEHAT222M16 |
| C 102 | | CKSRYB103K50 |
| C 111 | | CKSRYX104K50 |
| C 122 | | CKSRYX105K50 |
| C 201 | | CEHAT332M16 |
| | | |
| C 202 | | CKSRYX104K50 |
| C 203 | | CKSSYB104K10 |
| C 204 | | CKSQYX106K10 |
| C 205 | | CKSYX106K35 |
| C 211 | | CKSRYX105K16 |
| | | |
| C 212 | | CKSRYX105K16 |
| C 213 | | CKSSYB104K10 |
| C 216 | | CKSRYX105K16 |
| C 217 | | CKSRYX105K16 |
| C 218 | | CKSSYB104K10 |
| | | |
| C 221 | | CKSYX106K35 |
| C 222 | | CKSRYX105K50 |
| C 223 | | CKSRYX104K50 |
| C 224 | | CKSRYB103K50 |
| C 226 | | CKSSYB102K50 |
| | | |
| C 227 | | CKSRYX475K6R3 |
| C 228 | | CKSRYX105K16 |
| C 229 | | CKSSYX105K10 |
| C 230 | | CEHVW221M16 |
| C 241 | | CKSRYB474K16 |
| | | |
| C 242 | | CKSRYB474K16 |
| C 244 | | CCSSCH470J50 |
| C 251 | | CKSRYX105K50 |
| C 252 | | CKSRYX104K50 |
| C 261 | | CKSSYB104K10 |
| | | |
| C 262 | | CKSRYX105K16 |
| C 263 | | CKSSYB104K10 |
| C 272 | | CKSRYX106M6R3 |
| C 274 | | CKSRYX106M6R3 |
| C 281 | | CKSRYX105K16 |
| | | |
| C 282 | | CKSSYB104K16 |
| C 283 | | CKSSYB104K16 |
| C 291 | 10 uF | CCG1236 |
| C 292 | 10 uF | CCG1236 |
| C 293 | | CKSQYX106K16 |
| | | |
| C 294 | | CCSSCH150J50 |
| C 295 | | CKSRYX105K50 |
| C 299 | | CKSSYB103K25 |
| C 301 | | CKSSYB153K16 |
| C 302 | | CKSSYB222K50 |
| | | |
| C 304 | | CKSSYB221K50 |
| C 305 | | CKSSYX105K10 |
| C 306 | | CKSRYX104K50 |

Circuit Symbol and No.Part No.Circuit Symbol and No.Part No.

| | | | | |
|---|-------|---------------|-------|---------------|
| | C 307 | CKSYX226M16 | C 560 | CKSSYB103K16 |
| | C 308 | CKSRYX225K10 | C 565 | CCSSCH330J50 |
| A | C 309 | GEHVW470M16 | C 566 | CCSSCH330J50 |
| | C 310 | CKSRYB224K16 | C 571 | CCSSCH330J50 |
| | C 311 | CCG1236 | C 572 | CCSSCH330J50 |
| | C 312 | GEHVW470M16 | C 575 | CKSSYB104K10 |
| | C 314 | CKSRYX225K10 | C 580 | CKSRYX104K50 |
| | | | C 586 | CKSSYB102K50 |
| | C 318 | CCSSCH470J50 | | |
| | C 320 | CKSRYX475K10 | C 588 | CKSSYB104K10 |
| | C 502 | CKSSYB104K10 | C 590 | CKSSYB332K50 |
| | C 503 | CKSRYX475K6R3 | C 591 | CKSSYB332K50 |
| | C 505 | CKSSYB104K10 | C 592 | CKSSYB332K50 |
| | | | C 593 | CKSSYB332K50 |
| B | C 506 | CKSRYX475K6R3 | | |
| | C 507 | CKSRYX475K6R3 | C 595 | CKSSYB332K50 |
| | C 508 | CKSSYB104K10 | C 701 | CKSSYB104K10 |
| | C 509 | CKSRYX475K6R3 | C 702 | CKSSYB104K10 |
| | C 510 | CKSSYB104K10 | C 711 | CKSRYX475K6R3 |
| | | | C 712 | CKSSYX105K10 |
| | C 511 | CKSRYX475K6R3 | | |
| | C 512 | CKSSYB104K10 | C 713 | CKSSYB104K10 |
| | C 513 | CKSRYX475K6R3 | C 714 | CKSSYX105K10 |
| | C 514 | CKSSYB104K10 | C 715 | CKSSYX105K10 |
| | C 517 | CKSSYB104K10 | C 716 | CKSSYX105K10 |
| | | | C 718 | CKSSYB104K10 |
| | C 518 | CCSSCH100D50 | | |
| C | C 519 | CCSSCH100D50 | C 719 | CKSSYB104K10 |
| | C 520 | CKSRYX475K6R3 | C 722 | CKSSYB104K10 |
| | C 521 | CKSSYB104K10 | C 731 | CKSSYB104K10 |
| | C 522 | CKSRYX475K6R3 | C 741 | CKSRYX225K10 |
| | | | C 742 | CKSSYB104K10 |
| | C 523 | CKSRYX475K6R3 | | |
| | C 524 | CKSRYX475K6R3 | C 743 | CKSSYB104K10 |
| | C 525 | CKSRYX106M6R3 | C 744 | CKSSYB103K16 |
| | C 526 | CKSSYB103K16 | C 761 | CKSRYX105K16 |
| | C 527 | CKSRYX106M6R3 | C 762 | CKSRYX105K16 |
| | | | C 763 | CKSRYX105K16 |
| | C 528 | CKSSYB103K16 | | |
| | C 529 | CKSSYB104K10 | C 764 | CKSRYX105K16 |
| D | C 530 | CKSRYX475K6R3 | C 765 | CKSRYX105K16 |
| | C 531 | CKSSYX105K10 | C 766 | CKSRYX105K16 |
| | C 532 | CKSSYX105K10 | C 769 | CKSRYX105K16 |
| | | | C 770 | CKSRYX105K16 |
| | C 533 | CKSRYX475K6R3 | | |
| | C 534 | CKSSYB104K10 | C 771 | CKSRYX105K16 |
| | C 535 | GEHVW221M16 | C 772 | CKSRYX105K16 |
| | C 536 | CCSSCH101J50 | C 773 | CKSRYX105K16 |
| | C 537 | CKSSYB103K16 | C 774 | CCSSCH151J50 |
| | | | C 775 | CCSSCH151J50 |
| | C 538 | CKSRYX106M6R3 | | |
| | C 539 | CKSSYB103K16 | C 776 | CKSRYX104K50 |
| | C 540 | CKSRYX106M6R3 | C 777 | CCG1236 |
| E | C 541 | CKSSYB222K50 | C 779 | CKSQYX106K10 |
| | C 542 | CKSSYB104K10 | C 780 | CKSRYX104K50 |
| | | | C 781 | CKSRYX105K16 |
| | C 543 | CKSSYX105K10 | | |
| | C 544 | CKSSYB473K16 | C 782 | CKSRYX105K16 |
| | C 545 | CCSSCH100D50 | C 783 | CKSRYX105K16 |
| | C 546 | CCSSCH120J50 | C 784 | CKSRYX105K16 |
| | C 551 | CKSSYB104K10 | C 785 | CKSRYX105K16 |
| | | | C 787 | CKSQYX106K16 |
| | C 552 | CKSRYX475K6R3 | | |
| | C 553 | CKSRYX106M6R3 | C 788 | CKSQYX106K16 |
| | C 555 | CKSSYB103K16 | C 790 | CKSRYX106M6R3 |
| | C 556 | CKSSYB104K10 | C 791 | CKSSYB103K25 |
| F | C 557 | CKSSYB104K10 | C 853 | CCSSCH120J50 |
| | | | C 854 | CCSSCH471J50 |
| | C 558 | CKSSYB104K10 | | |
| | C 559 | CKSQYB224K50 | C 858 | CCSSCH5R0C50 |

Circuit Symbol and No.Part No.

| | |
|--------|---------------------|
| C 859 | CCSSCH120J50 |
| C 866 | CKSSYB224K6R3 |
| C 867 | CKSSYB102K50 |
| C 870 | CKSSYB102K50 |
| C 871 | CKSSYB104K10 |
| C 872 | CKSSYB104K10 |
| C 874 | CCSSCH180J50 |
| C 878 | CKSSYB152K50 |
| C 883 | CKSRYX225K10 |
| C 891 | CKSRYX225K10 |
| C 892 | CKSSYB104K10 |
| C 893 | CKSSYB104K10 |
| C 894 | CKSRYX475K6R3 |
| C 895 | CKSRYX105K16 |
| C 953 | CKSSYB104K16 |
| C 954 | CKSSYB104K16 |
| C 1101 | CKSQYB474K25 |
| C 1102 | CKSQYB474K25 |
| C 1103 | CKSQYB474K25 |
| C 1104 | CKSQYB474K25 |
| C 1106 | CKSRYB474K10 |
| C 1108 | CKSRYX104K50 |
| C 1110 | CKSQYX106K16 |
| C 1111 | CKSRYX225K10 |
| C 1112 | CKSRYX104K50 |
| C 1118 | CKSSYB104K10 |
| C 1119 | CKSRYX104K50 |
| C 1120 | CKSRYX104K50 |
| C 1121 | CKSRYX106M6R3 |
| C 1201 | 1 000 pF CCG1345 |
| C 1202 | CKSRYX104K50 |
| C 1203 | CKSRYX104K50 |
| C 1204 | CKSRYX105K16 |
| C 1205 | CCSRCH221J50 |
| C 1206 | CCSRCH221J50 |
| C 1210 | CKSRYX105K16 |
| C 1217 | CCSSCH121J50 |
| C 1231 | CKSRYX104K50 |
| C 1232 | CKSRYX104K50 |
| C 1241 | CKSQYX106K25 |
| C 1242 | CKSQYX106K25 |
| C 1243 | CKSQYX106K25 |
| C 1244 | CKSQYX106K25 |
| C 1245 | CKSQYX106K25 |
| C 1246 | CKSQYX106K25 |
| C 1247 | CKSSYB103K16 |
| C 1248 | CKSSYB103K16 |
| C 1249 | CKSSYB103K16 |
| C 1250 | CKSSYB103K16 |
| C 1251 | CKSSYB103K16 |
| C 1252 | CKSSYB103K16 |
| C 1276 | CKSSYB104K16 |
| C 1277 | CKSSYB104K16 |
| C 1278 | CKSSYB104K16 |
| C 1279 | CKSSYB104K16 |
| C 1280 | CKSSYB102K50 |
| C 1281 | CKSSYB102K50 |
| C 1284 | CKSRYB474K10 |

Circuit Symbol and No.Part No.**B****Unit Number: QWM4988****Unit Name : Keyboard Unit**MISCELLANEOUS

| | | |
|---------|-------------------------------|-----------------|
| IC 1801 | Driver IC | BU97540KV-M |
| IC 1851 | IR RC REC Module | PNJ4833M |
| Q 1951 | Bipolar Transistor | LSCR523UB |
| Q 1952 | Bipolar Transistor | LSCR523UB |
| Q 1953 | Bipolar Transistor | LSCR523UB |
| Q 1954 | Bipolar Transistor | LSCR523UB |
| Q 1955 | Bipolar Transistor | LSCR523UB |
| Q 1956 | Bipolar Transistor | LSCR523UB |
| D 1901 | Zener Diode | SZESD7351HG |
| D 1902 | Zener Diode | SZESD7351HG |
| D 1921 | Zener Diode | RSB6R8SM |
| D 1922 | Zener Diode | RSB6R8SM |
| D 1923 | Zener Diode | RSB6R8SM |
| D 1941 | Zener Diode | RSB6R8SM |
| D 1942 | Zener Diode | RSB6R8SM |
| D 1951 | LED | NSSM124F-A21107 |
| D 1952 | LED | NSSM124F-A21107 |
| D 1953 | LED | NSSM124F-A21107 |
| D 1954 | LED | NSSM124F-A21107 |
| D 1955 | LED | NSSM124F-A21107 |
| S 1821 | Push Switch | CSG1155 |
| S 1822 | Push Switch | CSG1155 |
| S 1823 | Push Switch | CSG1155 |
| S 1824 | Push Switch | CSG1155 |
| S 1825 | Push Switch | CSG1155 |
| S 1826 | Push Switch | CSG1155 |
| S 1827 | Push Switch | CSG1155 |
| S 1828 | Push Switch | CSG1155 |
| S 1829 | Push Switch | CSG1155 |
| S 1830 | Push Switch | CSG1155 |
| S 1831 | Push Switch | CSG1155 |
| S 1832 | Push Switch | CSG1155 |
| S 1833 | Push Switch | CSG1155 |
| S 1834 | Push Switch | CSG1155 |
| S 1835 | Push Switch | CSG1155 |
| S 1836 | Rotary Encoder(MULTI-CONTROL) | CSD1212 |
| CN1941 | Connector | CKS6287 |
| JA 1901 | Connector | CKS6443 |
| JA 1921 | Jack | KCN1090 |
| V 1801 | Segment LCD | CAW2065 |

RESISTORS

| | |
|--------|---------------|
| R 1802 | XRS1/10SR472J |
| R 1821 | XRS1/10SR273J |
| R 1854 | XRS1/10SR101J |
| R 1921 | XRS1/10SR0R0J |
| R 1922 | XRS1/10SR0R0J |
| R 1923 | XRS1/10SR0R0J |
| R 1941 | XRS1/10SR222J |
| R 1942 | XRS1/10SR222J |
| R 1943 | XRS1/10SR222J |
| R 1944 | XRS1/10SR222J |
| R 1951 | XRS1/10SR332J |

Circuit Symbol and No.

Part No.

| | | |
|---|--------|---------------|
| A | R 1952 | XRS1/10SR152J |
| | R 1953 | XRS1/10SR332J |
| | R 1954 | XRS1/10SR152J |
| | R 1955 | XRS1/10SR332J |
| | R 1956 | XRS1/10SR152J |
| | R 1957 | XRS1/10SR680J |
| | R 1958 | XRS1/10SR680J |
| | R 1959 | XRS1/10SR680J |
| | R 1960 | XRS1/10SR332J |
| | R 1961 | XRS1/10SR152J |
| | R 1962 | XRS1/10SR332J |
| | R 1963 | XRS1/10SR152J |
| | R 1964 | XRS1/10SR332J |
| B | R 1965 | XRS1/10SR152J |
| | R 1966 | XRS1/10SR680J |
| | R 1967 | XRS1/10SR680J |
| | R 1968 | XRS1/10SR680J |
| | R 1969 | XRS1/10SR221J |
| | R 1970 | XRS1/10SR121J |
| | R 1971 | XRS1/10SR121J |

CAPACITORS

| | | |
|---|-----------------|--------------|
| C | C 1801 | CKSRYX105K16 |
| | C 1851 | CKSQYX106K10 |
| | C 1901 | CCSRCH471J50 |
| | C 1904 | CKSRYX475K10 |
| | C 1921 | CKSRYB224K16 |
| | C 1922 1 000 pF | CCG1345 |

D

E

F