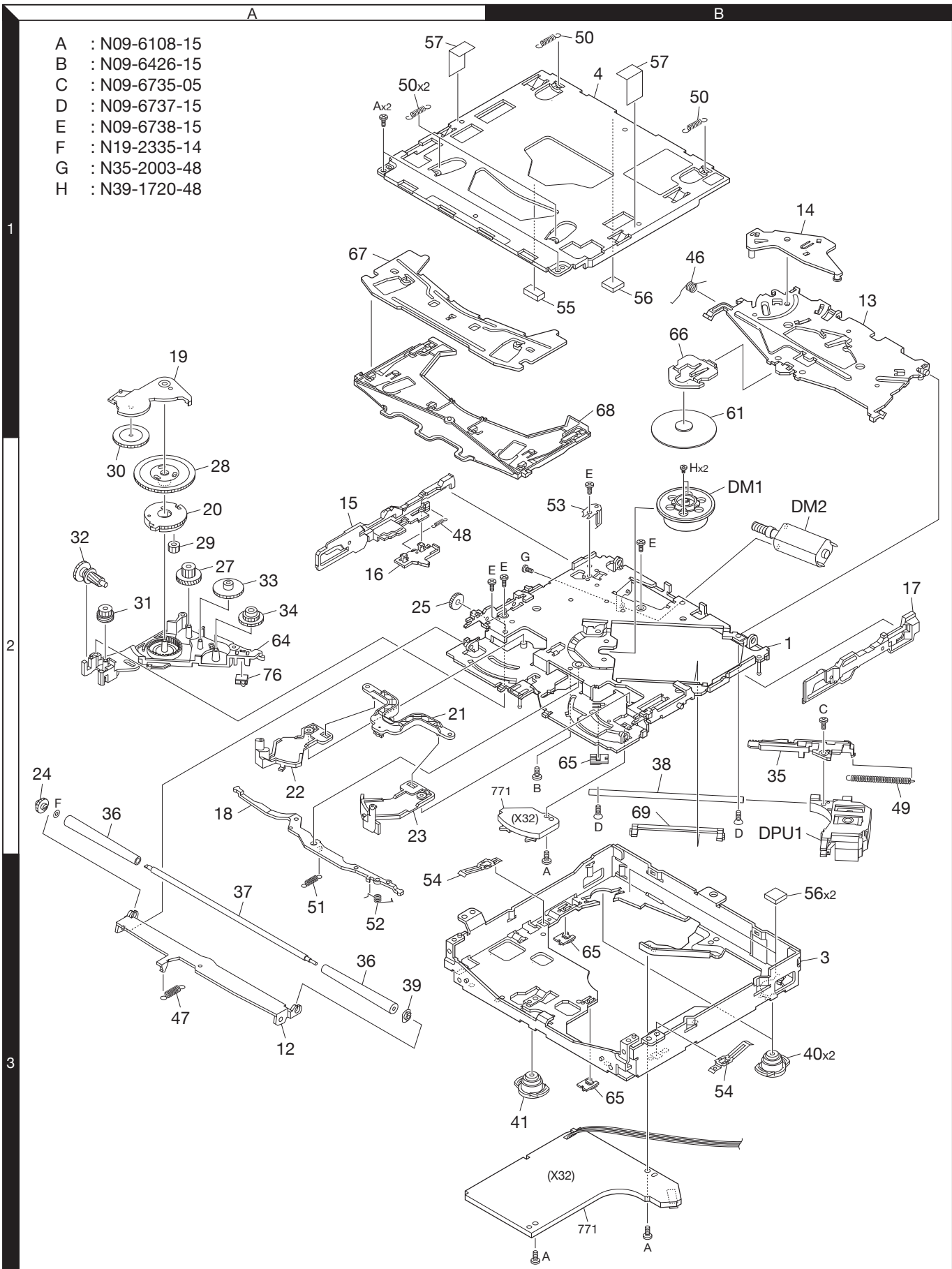


## EXPLODED VIEW (CD MECHANISM)

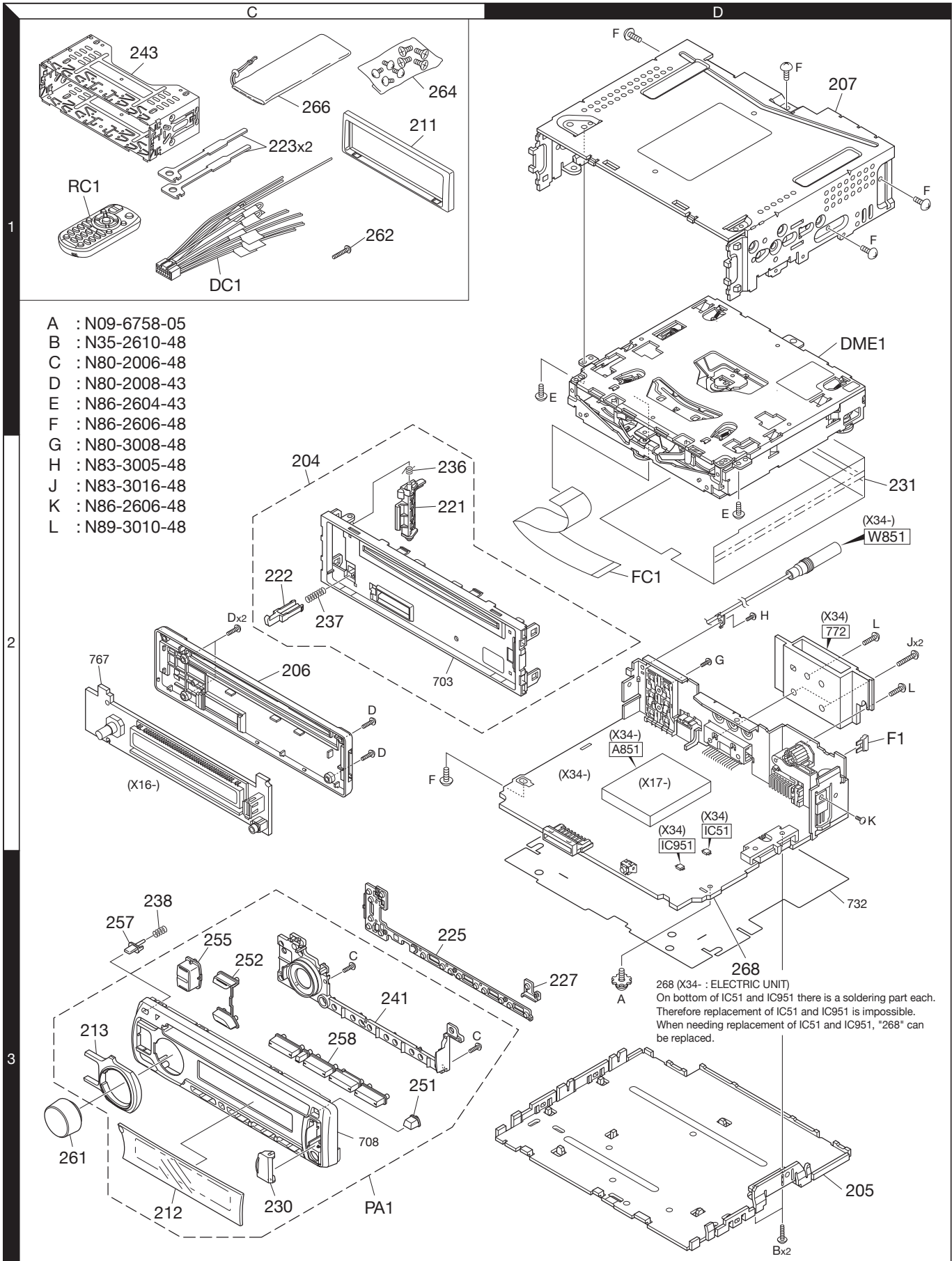
- A : N09-6108-15
- B : N09-6426-15
- C : N09-6735-05
- D : N09-6737-15
- E : N09-6738-15
- F : N19-2335-14
- G : N35-2003-48
- H : N39-1720-48



Parts with the exploded numbers larger than 700 are not supplied.

# KDC-HD545U

## EXPLODED VIEW (UNIT)



# KDC-HD545U

## PARTS LIST

\* New parts

Parts without **Parts No.** are not supplied.

Les articles non mentionnés dans le **Parts No.** ne sont pas fournis.

Teile ohne **Parts No.** werden nicht geliefert.

Ref. No.	Add	New	Parts No.	Description	Destination
<b>KDC-HD545U</b>					
204	2C		A22-3260-13	SUB PANEL ASSY	
205	3D		A40-1371-11	BOTTOM PLATE	
206	2C		A46-1901-01	REAR COVER	
207	1D		A52-1126-01	TOP COVER	
PA1	3C	*	A64-5014-02	PANEL ASSY	
RC1	1C		A70-2104-05	REMOTE CONTROLLER ASSY (RC-405)	
-		*	B64-4534-00	INST. MANUAL (ENG.FRE.SPA.)	
211	1C		B07-3271-01	ESCUTCHEON (HOT RUNNER)	
212	3C	*	B10-5337-01	FRONT GLASS	
213	3C	*	B07-3339-03	ESCUTCHEON	
221	2C		D10-7099-03	LEVER	
222	2C		D10-7098-03	LEVER	
223	1C		D10-7106-04	LEVER	
225	3C		E29-2153-02	CONDUCTIVE RUBBER	
227	3D		E29-2154-04	CONDUCTIVE RUBBER	
△ DC1	1C		E30-6933-05	DC CORD	
FC1	2D	*	E39-1104-05	FLAT CABLE	
230	3C		F07-2219-03	COVER	
231	2D		F11-1874-03	SHIELDING COVER	
△ F1	2D		F52-0023-05	FUSE (MINI BLADE TYPE) (10A)	
236	2C		G01-4750-04	TORSION COIL SPRING	
237	2C		G01-4749-04	COMPRESSION SPRING	
238	3C		G01-3244-04	COMPRESSION SPRING	
-		*	H54-4737-03	ITEM CARTON CASE	
241	3C		J19-7287-11	HOLDER	
243	1C		J22-0789-03	MOUNTING HARDWARE ASSY	
251	3C		K24-5041-04	PUSH KNOB (EJECT)	
252	3C		K25-1983-03	PUSH KNOB (SRC/BAND)	
255	3C		K24-5043-03	PUSH KNOB (SEARCH)	
257	3C		K24-5042-04	PUSH KNOB (RELEASE)	
258	3C		K25-1982-02	PUSH KNOB (PRESET)	
261	3C		K28-0337-04	KNOB ASSY (VOL)	
262	1C		N84-4016-48	PAN HEAD TAPTITE SCREW	
264	1C		N99-1757-15	SCREW SET	
A	3D		N09-6758-05	TAPTITE SCREW	
B	3D		N35-2610-48	BINDING HEAD MACHINE SCREW	
C	3C		N80-2006-48	PAN HEAD TAPTITE SCREW	
D	2C		N80-2008-43	PAN HEAD TAPTITE SCREW	
E	2D		N86-2604-43	BINDING HEAD TAPTITE SCREW	
F	1D		N86-2606-48	BINDING HEAD TAPTITE SCREW	
266	1C		W01-1710-05	CARRYING CASE	
268	3D	*	X34-6630-10	ELECTRIC UNIT (for IC51,951)	
DME1	1D	*	X92-6360-04	MECHANISM ASSY (DXM-9B34W)	
<b>SWITCH UNIT (X16-6760-21)</b>					
D51			B30-1566-05	LED (1608,RED)	
D56 -62			B30-1781-05	LED (1608 BLUE)	
D65			B30-1781-05	LED (1608 BLUE)	
D91 -93			B30-1781-05	LED (1608 BLUE)	

Ref. No.	Add	New	Parts No.	Description	Destination
C10 ,11			CK73GB1C104K	CHIP C 0.10UF K	
C12			CK73GB1H103K	CHIP C 0.010UF K	
C21			CK73GB0J105K	CHIP C 1.0UF K	
C41 ,42			CK73GB1H103K	CHIP C 0.010UF K	
C81 ,82			CC73GCH1H330J	CHIP C 33PF J	
C83			CK73GB1H472K	CHIP C 4700PF K	
J1			E59-0860-05	RECTANGULAR PLUG	
J2			E11-0669-05	3.5D PHONE JACK	
J3			E58-1129-05	RECTANGULAR RECEPTACLE	
CP11			RK74GA1J101J	CHIP-COM 100 J 1/16W	
CP13			RK74HB1J101J	CHIP-COM 100 J 1/16W	
CP14			RK74HB1J473J	CHIP-COM 47K J 1/16W	
CP15			RK74HB1J101J	CHIP-COM 100 J 1/16W	
R10			RK73GB2A104J	CHIP R 100K J 1/10W	
R11			RK73GB2A4R7J	CHIP R 4.7 J 1/10W	
R12			RK73GB2A104J	CHIP R 100K J 1/10W	
R13			RK73GB2A101J	CHIP R 100 J 1/10W	
R15			RK73GB2A101J	CHIP R 100 J 1/10W	
R21			RK73GB2A104J	CHIP R 100K J 1/10W	
R22			RK73GB2A101J	CHIP R 100 J 1/10W	
R24			RK73GB2A000J	CHIP R 0.0 J 1/10W	
R31			RK73PB2H7R5J	CHIP R 7.5 J 1/2W	
R51			RK73EB2E821J	CHIP R 820 J 1/4W	
R52			RK73FB2B821J	CHIP R 820 J 1/8W	
R53			RK73FB2B102J	CHIP R 1.0K J 1/8W	
R54 -57			RK73FB2B821J	CHIP R 820 J 1/8W	
R75			RK73GB2A471J	CHIP R 470 J 1/10W	
R81 ,82			RK73GB2A220J	CHIP R 22 J 1/10W	
S1			T99-0484-05	ROTARY ENCODER	
D81			HZM6.8ZMWA-E	ZENER DIODE	
D82			DA204U	DIODE	
ED1			3-BT-266INK	FLUORESCENT INDICATOR TUBE	
IC2			PIC95603	ANALOGUE IC	
Q20			RT1N441U-T111	TRANSISTOR	
Q21 -23			RT1P237M-T111	TRANSISTOR	
<b>PROCESSOR UNIT (X17-2050-10)</b>					
C101			CK73GB1A105K	CHIP C 1.0UF K	
C102			CC73GCH1H471J	CHIP C 470PF J	
C103-109			CK73GB1H104K	CHIP C 0.10UF K	
C110			CC73GCH1H050C	CHIP C 5.0PF C	
C111			CK73GB1H104K	CHIP C 0.10UF K	
C112			CC73GCH1H050C	CHIP C 5.0PF C	
C113-134			CK73GB1H104K	CHIP C 0.10UF K	
C141-148			CC73GCH1H270J	CHIP C 27PF J	
C151			CK73GB1H104K	CHIP C 0.10UF K	
C191-197			CK73GB1H104K	CHIP C 0.10UF K	
CN101			E41-3127-05	PIN ASSY	
CN102			E41-3099-05	PIN ASSY	
L101			L92-0330-05	CHIP FERRITE	
X101			L77-3812-05	CRYSTAL RESONATOR (28.224MHZ)	
CP101-109			RK74GB1J470J	CHIP-COM 47 J 1/16W	

△ Indicates safety critical components.

# KDC-HD545U

## PARTS LIST

### PROCESSOR UNIT (X17-2050-10)

Ref. No.	Add	New	Parts No.	Description	Destination
R102			RK73GB2A103J	CHIP R 10K J 1/10W	
R104,105			RK73GB2A470J	CHIP R 47 J 1/10W	
R106			RK73GB2A101J	CHIP R 100 J 1/10W	
R107			RK73GB2A470J	CHIP R 47 J 1/10W	
R110-116			RK73GB2A470J	CHIP R 47 J 1/10W	
R121-124			RK73GB2A470J	CHIP R 47 J 1/10W	
R150-152			RK73GB2A103J	CHIP R 10K J 1/10W	
R154			RK73GB2A103J	CHIP R 10K J 1/10W	
R160-163			RK73GB2A000J	CHIP R 0.0 J 1/10W	
IC1		*	SAF3560HV110	MOS-IC	
IC2			V543128164CI7	SRAM IC	
IC151			EN25F801008B7	ROM IC	
Q101			DTC114EKA	DIGITAL TRANSISTOR	

### CD PLAYER UNIT (X32-6260-01) IN CD MECHA

C1 ,2			CK73GB1A105K	CHIP C 1.0UF K	
C3			CK73GB1A474K	CHIP C 0.47UF K	
C4 -7			CK73GB1A105K	CHIP C 1.0UF K	
C9			CK73GB1C104K	CHIP C 0.10UF K	
C11			CK73GB1H153K	CHIP C 0.015UF K	
C12			CK73GB1H103K	CHIP C 0.010UF K	
C21			CK73GB1H103K	CHIP C 0.010UF K	
C22			CC73GCH1H220J	CHIP C 22PF J	
C23			CC73GCH1H180J	CHIP C 18PF J	
C24 ,25			CK73GB1H103K	CHIP C 0.010UF K	
C26			CK73FB0J106K	CHIP C 10UF K	
C27			CK73GB1A105K	CHIP C 1.0UF K	
C28			CK73GB1H103K	CHIP C 0.010UF K	
C29			CK73FB0J106K	CHIP C 10UF K	
C30 -33			CK73GB1H103K	CHIP C 0.010UF K	
C34 ,35			CC73GCH1H150J	CHIP C 15PF J	
C36			CK73GB1H103K	CHIP C 0.010UF K	
C37			CK73GB1A105K	CHIP C 1.0UF K	
C38			CK73GB1H103K	CHIP C 0.010UF K	
C51			CK73GB1C104K	CHIP C 0.10UF K	
C52			CK73GB1H222K	CHIP C 2200PF K	
C53			CK73FB1C105K	CHIP C 1.0UF K	
C54			CK73GB1H103K	CHIP C 0.010UF K	
C55			CK73GB1H332K	CHIP C 3300PF K	
C56			CK73GB1C104K	CHIP C 0.10UF K	
C57			CK73GB1H153K	CHIP C 0.015UF K	
C58			CK73GB1C104K	CHIP C 0.10UF K	
C59			CC73GCH1H680J	CHIP C 68PF J	
C61			CK73GB1C104K	CHIP C 0.10UF K	
C62			CK73FB0J106K	CHIP C 10UF K	
C63			CK73GB1H333K	CHIP C 0.033UF K	
C64			CK73GB1H472K	CHIP C 4700PF K	
C65			CK73GB1C104K	CHIP C 0.10UF K	
C66			CK73GB1H153K	CHIP C 0.015UF K	
C67			CK73GB1H103K	CHIP C 0.010UF K	
C68			CK73GB1C104K	CHIP C 0.10UF K	
C69			CK73FB0J106K	CHIP C 10UF K	
C71			CK73FB0J106K	CHIP C 10UF K	
C73 ,74			CK73GB1H102K	CHIP C 1000PF K	
C75 -77			CK73GB1C104K	CHIP C 0.10UF K	

Ref. No.	Add	New	Parts No.	Description	Destination
C78			CK73GB1A105K	CHIP C 1.0UF K	
C79 -81			CK73GB1C104K	CHIP C 0.10UF K	
C83			CC73GCH1H470J	CHIP C 47PF J	
C84			CK73GB1H153K	CHIP C 0.015UF K	
C85			CK73GB1A105K	CHIP C 1.0UF K	
C86			CK73GB1H103K	CHIP C 0.010UF K	
C92			CK73FB1A225K	CHIP C 2.2UF K	
C93			CC73GCH1H101J	CHIP C 100PF J	
C94			CC73GCH1H560J	CHIP C 56PF J	
C101,102			CK73GB1H103K	CHIP C 0.010UF K	
C113			CK73GB1C104K	CHIP C 0.10UF K	
CN1			E41-2954-05	FLAT CABLE CONNECTOR	
CN2			E41-2083-15	FLAT CABLE CONNECTOR	
X1			L77-2964-05	CRYSTAL RESONATOR (9.00MHZ)	
X2			L77-2921-15	CRYSTAL RESONATOR (32.768KHZ)	
X3			L78-1221-05	RESONATOR (16.93MHZ)	
CP10			RK74GA1J101J	CHIP-COM 100 J 1/16W	
CP11,12			RK74GB1J101J	CHIP-COM 100 J 1/16W	
CP15			RK74GB1J103J	CHIP-COM 10K J 1/16W	
CP22			RK74GB1J103J	CHIP-COM 10K J 1/16W	
R1 ,2			RK73EB2E4R7J	CHIP R 4.7 J 1/4W	
R3			RK73GB2A202J	CHIP R 2.0K J 1/10W	
R4			RK73GB2A103J	CHIP R 10K J 1/10W	
R10			RK73GB2A000J	CHIP R 0.0 J 1/10W	
R19			RK73GB2A223J	CHIP R 22K J 1/10W	
R21			RK73GB2A102J	CHIP R 1.0K J 1/10W	
R23			RK73GB2A223J	CHIP R 22K J 1/10W	
R24			RK73GB2A101J	CHIP R 100 J 1/10W	
R25			RK73GB2A104J	CHIP R 100K J 1/10W	
R26			RK73GB2A2R2J	CHIP R 2.2 J 1/10W	
R27			RK73GB2A101J	CHIP R 100 J 1/10W	
R28 ,29			RK73GB2A102J	CHIP R 1.0K J 1/10W	
R30			RK73GB2A223J	CHIP R 22K J 1/10W	
R31			RK73GB2A000J	CHIP R 0.0 J 1/10W	
R33			RK73GB2A223J	CHIP R 22K J 1/10W	
R36			RK73GB2A102J	CHIP R 1.0K J 1/10W	
R38			RK73GB2A102J	CHIP R 1.0K J 1/10W	
R41			RK73GB2A223J	CHIP R 22K J 1/10W	
R44			RK73GB2A223J	CHIP R 22K J 1/10W	
R45			RK73GB2A101J	CHIP R 100 J 1/10W	
R47			RK73GB2A000J	CHIP R 0.0 J 1/10W	
R48			RK73GB2A105J	CHIP R 1.0M J 1/10W	
R49			RK73GB2A102J	CHIP R 1.0K J 1/10W	
R50			RK73GB2A223J	CHIP R 22K J 1/10W	
R51			RK73GB2A102J	CHIP R 1.0K J 1/10W	
R52			RK73GB2A100J	CHIP R 10 J 1/10W	
R53			RK73GB2A153J	CHIP R 15K J 1/10W	
R54			RK73GB2A100J	CHIP R 10 J 1/10W	
R55			RK73GB2A153J	CHIP R 15K J 1/10W	
R57			RK73GB2A223J	CHIP R 22K J 1/10W	
R58 ,59			RK73GB2A101J	CHIP R 100 J 1/10W	
R63			RK73GB2A223J	CHIP R 22K J 1/10W	
R65 ,66			RK73GB2A332J	CHIP R 3.3K J 1/10W	

△ Indicates safety critical components.

## PARTS LIST

### CD PLAYER UNIT (X32-6260-01) IN CD MECHA

Ref. No.	Add	New	Parts No.	Description	Destination	Ref. No.	Add	New	Parts No.	Description	Destination
R67 -69			RK73GB2A101J	CHIP R 100 J 1/10W		C5			CD04BN1C221M	ELECTRO 220UF 16WV	
R70			RK73GB2A223J	CHIP R 22K J 1/10W		C7			CD04AV0J101M	ELECTRO 100UF 6.3WV	
R81 ,82			RK73GB2A101J	CHIP R 100 J 1/10W		C9			CK73GB1C104K	CHIP C 0.10UF K	
R84			RK73GB2A101J	CHIP R 100 J 1/10W		C11			CK73GB1C104K	CHIP C 0.10UF K	
R86			RK73GB2A101J	CHIP R 100 J 1/10W		C14			CK73GB1C104K	CHIP C 0.10UF K	
R88			RK73GB2A101J	CHIP R 100 J 1/10W		C17			CK73GB1C104K	CHIP C 0.10UF K	
R90 -94			RK73GB2A101J	CHIP R 100 J 1/10W		C20			CK73GB1H152K	CHIP C 1500PF K	
R95 -98			RK73GB2A223J	CHIP R 22K J 1/10W		C55			CK73FB0J106K	CHIP C 10UF K	
R101			RK73GB2A221J	CHIP R 220 J 1/10W		C56			CK73GB1H102K	CHIP C 1000PF K	
R102			RK73GB2A4R7J	CHIP R 4.7 J 1/10W		C57			CK73GB1A474K	CHIP C 0.47UF K	
R103			RK73GB2A102J	CHIP R 1.0K J 1/10W		C58			CK73FB0J106K	CHIP C 10UF K	
R104			RK73GB2A225J	CHIP R 2.2M J 1/10W		C64			CD04BK1A221M	ELECTRO 220UF 10WV	
R105			RK73GB2A104J	CHIP R 100K J 1/10W		C69			CK73HB1A104K	CHIP C 0.10UF K	
R106			RK73GB2A472J	CHIP R 4.7K J 1/10W		C73			CK73EB1H475K	CHIP C 4.7UF K	
R107			RK73GB2A560J	CHIP R 56 J 1/10W		C101,102			CK73GB1H103K	CHIP C 0.010UF K	
R108			RK73GB2A333J	CHIP R 33K J 1/10W		C104			CK73GB1H103K	CHIP C 0.010UF K	
R109			RK73GB2A622J	CHIP R 6.2K J 1/10W		C201			CK73GB1A105K	CHIP C 1.0UF K	
R110			RK73GB2A913J	CHIP R 91K J 1/10W		C202,203			CC73GCH1H220J	CHIP C 22PF J	
R112,113			RK73GB2A4R7J	CHIP R 4.7 J 1/10W		C204			CK73GB1C104K	CHIP C 0.10UF K	
R115			RK73GB2A105J	CHIP R 1.0M J 1/10W		C206			CC73GCH1H221J	CHIP C 220PF J	
R116			RK73GB2A681J	CHIP R 680 J 1/10W		C207			CK73GB1C104K	CHIP C 0.10UF K	
R117-121			RK73GB2A103J	CHIP R 10K J 1/10W		C251			CK73GB1H103K	CHIP C 0.010UF K	
R123			RK73GB2A104J	CHIP R 100K J 1/10W		C253			CC73GCH1H470J	CHIP C 47PF J	
R127			RK73GB2A153J	CHIP R 15K J 1/10W		C301,302			CD04AV1HR47M	ELECTRO 0.47UF 50WV	
R128			RK73GB2A334J	CHIP R 330K J 1/10W		C306,307			CK73GB1C104K	CHIP C 0.10UF K	
R131			RK73GB2A204J	CHIP R 200K J 1/10W		C308			CD04AV0J470M	ELECTRO 47UF 6.3WV	
R132			RK73GB2A101J	CHIP R 100 J 1/10W		C309			CK73GB1H103K	CHIP C 0.010UF K	
R136			RK73GB2A363J	CHIP R 36K J 1/10W		C310,311			CK73GB1H102K	CHIP C 1000PF K	
R137			RK73GB2A223J	CHIP R 22K J 1/10W		C401			CD04AV1C470M	ELECTRO 47UF 16WV	
R139			RK73GB2A393J	CHIP R 39K J 1/10W		C403			CD04AV1H010M	ELECTRO 1UF 50WV	
R151			RK73GB2A333J	CHIP R 33K J 1/10W		C404-407			CK73GB1A105K	CHIP C 1.0UF K	
R152			RK73GB2A223J	CHIP R 22K J 1/10W		C411,412			CK73GB1A105K	CHIP C 1.0UF K	
R173-178			RK73GB2A2R2J	CHIP R 2.2 J 1/10W		C601,602			CK73GB1C104K	CHIP C 0.10UF K	
R180			RK73GB2A102J	CHIP R 1.0K J 1/10W		C603			CD04AV0J470M	ELECTRO 47UF 6.3WV	
S1 ,2			S68-0924-05	PUSH SWITCH		C701-706			CK73EB1A106K	CHIP C 10UF K	
D1			DAP202U	DIODE		C761-764			CK73GB1A224K	CHIP C 0.22UF K	
D2 ,3			DA204U	DIODE		C765			CD04AV1C330M	ELECTRO 33UF 16WV	
IC1			92CD28AFG7EG0	MICROCONTROLLER IC		C766-768			CK73GB1A105K	CHIP C 1.0UF K	
IC2			TC94A92FG-301	MOS-IC		C855			CK73GB1C104K	CHIP C 0.10UF K	
IC3			BD8222EFV	ANALOGUE IC		C856,857			CC73GCH1H101J	CHIP C 100PF J	
IC4			MFI341S2162	MICROPROCESSOR IC		C858	*		CD04AV0J221M	ELECTRO 220UF 6.3WV	
IC5			74AHCT08PW	MOS-IC		C859			CK73HB1A104K	CHIP C 0.10UF K	
IC6			74LVC08APW	MOS-IC		C861,862			CK73GB1H332K	CHIP C 3300PF K	
IC7			XC6415S001P1	MOS-IC		C863			CK73HB1E223K	CHIP C 0.022UF K	
IC9			XC6219B332MR	ANALOGUE IC		C864,865			CK73GB1C104K	CHIP C 0.10UF K	
Q3			RUE003N02	FET		C866			CK73HB1E223K	CHIP C 0.022UF K	
Q5			2SA1577	TRANSISTOR		C871			CK73GB0J475K	CHIP C 4.7UF K	
Q6			DTC114YUA	DIGITAL TRANSISTOR		C873			CK73HB1A104K	CHIP C 0.10UF K	
Q7			2SB0970	TRANSISTOR		C879			CK73GB1C473K	CHIP C 0.047UF K	
Q9			DTC144EUA	DIGITAL TRANSISTOR		C880			CK73HB1E223K	CHIP C 0.022UF K	
<b>ELECTRIC UNIT (X34-6630-10)</b>						C881			CK73GB1C104K	CHIP C 0.10UF K	
C1			C90-6906-05	ELECTRO 3300UF 16WV		C882			CD04AV0J101M	ELECTRO 100UF 6.3WV	
C2			CD04AV1C220M	ELECTRO 22UF 16WV		C883			CK73HB1A104K	CHIP C 0.10UF K	
C3			CK73GB1H104K	CHIP C 0.10UF K		C884			CK73EB1H474K	CHIP C 0.47UF K	
						C886			CC73GCH1H120J	CHIP C 12PF J	

△ Indicates safety critical components.

# KDC-HD545U

## PARTS LIST

### ELECTRIC UNIT (X34-6630-10)

Ref. No.	A d d	N e w	Parts No.	Description	Desti- nation	Ref. No.	A d d	N e w	Parts No.	Description	Desti- nation
C887			CK73HB1A104K	CHIP C 0.10UF K		C972			CD04AV1V100M	ELECTRO 10UF 35WV	
C888			CC73GCH1H100D	CHIP C 10PF D		C973			CK73GB1H103K	CHIP C 0.010UF K	
C889			CK73HB1A104K	CHIP C 0.10UF K		C974			CD04AV0J470M	ELECTRO 47UF 6.3WV	
C890			CK73GB0J475K	CHIP C 4.7UF K		C976			CD04AV0J470M	ELECTRO 47UF 6.3WV	
C892			CK73HB1A104K	CHIP C 0.10UF K		C978			CD04AV0J470M	ELECTRO 47UF 6.3WV	
C893			CK73GB0J475K	CHIP C 4.7UF K		C979,980			CK73HB1H332K	CHIP C 3300PF K	
C894			CK73GB1C104K	CHIP C 0.10UF K		C987			CK73GB1A105K	CHIP C 1.0UF K	
C895			CK73GB0J475K	CHIP C 4.7UF K		Δ CN2			E41-1822-05	FLAT CABLE CONNECTOR	
C896			CK73GB1C104K	CHIP C 0.10UF K		J1			E58-0991-05	RECTANGULAR RECEPTACLE	
C897			CK73HB1A104K	CHIP C 0.10UF K		J3			E58-1060-15	RECTANGULAR RECEPTACLE	
C898			CK73HB1E223K	CHIP C 0.022UF K		J4			E56-0855-05	CYLINDRICAL RECEPTACLE	
C899			CK73GB1A105K	CHIP C 1.0UF K		J5	*		E63-0972-05	PIN JACK	
C901			CK73HB0J105K	CHIP C 1.0UF K		W851	2D		E30-6438-05	CORD WITH PLUG	
C902			CK73HB1A104K	CHIP C 0.10UF K		Δ L1			L33-2459-05	CHOKE COIL ASSY	
C903			CK73GB1A224K	CHIP C 0.22UF K		L51			L33-2462-05	SMALL FIXED INDUCTOR (22UH)	
C904			CK73HB1E223K	CHIP C 0.022UF K		L71			L92-0662-05	CHIP FERRITE	
C905			CK73GB1E223K	CHIP C 0.022UF K		L401			L41-4795-33	SMALL FIXED INDUCTOR (4.7UH)	
C906			CK73HB1E223K	CHIP C 0.022UF K		L750,751			L92-0648-05	CHIP FERRITE	
C907			CK73GB1H102K	CHIP C 1000PF K		L851			L31-0993-05	FM-RF COIL	
C908,909			CK73HB1E223K	CHIP C 0.022UF K		L852,853			L92-0642-05	CHIP FERRITE	
C911			CK73GB1E223K	CHIP C 0.022UF K		L854			L41-4795-39	SMALL FIXED INDUCTOR (4.7UH)	
C912			CK73GB1H332K	CHIP C 3300PF K		L855,856			L92-0642-05	CHIP FERRITE	
C914,915			CK73GB1H103K	CHIP C 0.010UF K		L857			L92-0371-05	FERRITE CORE	
C916			CK73GB1A105K	CHIP C 1.0UF K		L858			L92-0642-05	CHIP FERRITE	
C917			CK73GB1H392K	CHIP C 3900PF K		L859			L41-1095-33	SMALL FIXED INDUCTOR (1UH)	
C918,919			CK73GB1H102K	CHIP C 1000PF K		L860,861			L41-3315-32	SMALL FIXED INDUCTOR (330UH)	
C922			CC73GCH1H030C	CHIP C 3.0PF C		L862			L92-0642-05	CHIP FERRITE	
C923			CC73GCH1H220J	CHIP C 22PF J		L864	*		L40-2785-60	SMALL FIXED INDUCTOR (270NH)	
C925			CC73GCH1H120J	CHIP C 12PF J		L866			L41-1895-39	SMALL FIXED INDUCTOR (1.8UH)	
C926			CC73GCH1H221J	CHIP C 220PF J		L867			L41-2785-39	SMALL FIXED INDUCTOR (0.27UH)	
C927			CC73GCH1H220J	CHIP C 22PF J		L868			L41-4785-39	SMALL FIXED INDUCTOR (0.47UH)	
C928			CK73GB1H102K	CHIP C 1000PF K		L869			L41-1095-33	SMALL FIXED INDUCTOR (1UH)	
C930			CK73GB1H102K	CHIP C 1000PF K		L951			L92-0639-05	CHIP FERRITE	
C931			CC73GCH1H050C	CHIP C 5.0PF C		L952			L33-2462-05	SMALL FIXED INDUCTOR (22UH)	
C932			CK73GB1H102K	CHIP C 1000PF K		L954			L41-4795-33	SMALL FIXED INDUCTOR (4.7UH)	
C934-936			CC73HCH1H470J	CHIP C 47PF J		L955			L41-1095-33	SMALL FIXED INDUCTOR (1UH)	
C941			CC73GCH1H100D	CHIP C 10PF D		L956-958			L92-0642-05	CHIP FERRITE	
C951			CK73GB1H102K	CHIP C 1000PF K		X1	*		L78-1237-05	RESONATOR	
C952			CK73GB1C104K	CHIP C 0.10UF K		X2			L77-2921-15	CRYSTAL RESONATOR (32.768KHZ)	
C953			CK73GB1H104K	CHIP C 0.10UF K		X851			L77-2885-05	CRYSTAL RESONATOR (41.6MHZ)	
C954			CK73EB1H475K	CHIP C 4.7UF K		G	2D		N80-3008-48	PAN HEAD TAPTITE SCREW	
C955			CK73GB1A474K	CHIP C 0.47UF K		H	2D		N83-3005-48	PAN HEAD TAPTITE SCREW	
C956			CK73FB0J106K	CHIP C 10UF K		J	2D		N83-3016-48	PAN HEAD TAPTITE SCREW	
C957			CK73GB1H102K	CHIP C 1000PF K		K	2D		N86-2606-48	BINDING HEAD TAPTITE SCREW	
C960			CK73GB1C104K	CHIP C 0.10UF K		L	2D		N89-3010-48	BINDING HEAD TAPTITE SCREW	
C961			CK73FB0J106K	CHIP C 10UF K		CP201			RK74HB1J101J	CHIP-COM 100 J 1/16W	
C963			CK73GB1A105K	CHIP C 1.0UF K		CP202			RK74GA1J101J	CHIP-COM 100 J 1/16W	
C964			CK73FB0J106K	CHIP C 10UF K		CP212			RK74GA1J472J	CHIP-COM 4.7K J 1/16W	
C965			CK73GB1A105K	CHIP C 1.0UF K		R1			RK73EB2E102J	CHIP R 1.0K J 1/4W	
C966			CK73FB0J106K	CHIP C 10UF K		R2 ,3			RK73GB2A103J	CHIP R 10K J 1/10W	
C967			CK73GB1H103K	CHIP C 0.010UF K		R5			RK73GB2A103J	CHIP R 10K J 1/10W	
C968			CD04AV1V100M	ELECTRO 10UF 35WV		R15			RK73PB2H7R5J	CHIP R 7.5 J 1/2W	
C969			CK73GB1H103K	CHIP C 0.010UF K		R53			RK73GH2A153D	CHIP R 15K D 1/10W	
C970			CD04AV1V100M	ELECTRO 10UF 35WV							
C971			CK73GB1H103K	CHIP C 0.010UF K							

Δ Indicates safety critical components.

## PARTS LIST

### ELECTRIC UNIT (X34-6630-10)

Ref. No.	Add	New	Parts No.	Description	Destination	Ref. No.	Add	New	Parts No.	Description	Destination
R54			RK73GH2A823D	CHIP R 82K D 1/10W		R346			RK73EB2E2R2J	CHIP R 2.2 J 1/4W	
R55			RK73GB2A103J	CHIP R 10K J 1/10W		R347			RK73GB2A102J	CHIP R 1.0K J 1/10W	
R56			RK73GH2A203D	CHIP R 20K D 1/10W		R348,349			RK73GB2A103J	CHIP R 10K J 1/10W	
R57			RK73GH2A303D	CHIP R 30K D 1/10W		R350,351			RK73GB2A104J	CHIP R 100K J 1/10W	
R58			RK73HB1J473J	CHIP R 47K J 1/16W		R352,353			RK73EB2E100J	CHIP R 10 J 1/4W	
R59			RK73HB1J333J	CHIP R 33K J 1/16W		R401			RK73GB2A103J	CHIP R 10K J 1/10W	
R62			RK73GB2A223J	CHIP R 22K J 1/10W		R601,602			RK73EB2E100J	CHIP R 10 J 1/4W	
R101			RK73EB2E472J	CHIP R 4.7K J 1/4W		R603			RK73EB2E4R7J	CHIP R 4.7 J 1/4W	
R106			RK73EB2E332J	CHIP R 3.3K J 1/4W		R604			RK73GB2A102J	CHIP R 1.0K J 1/10W	
R107			RK73EB2E333J	CHIP R 33K J 1/4W		R605			RK73EB2E101J	CHIP R 100 J 1/4W	
R108			RK73GB2A103J	CHIP R 10K J 1/10W		R606,607			RK73EB2E472J	CHIP R 4.7K J 1/4W	
R109			RK73GB2A223J	CHIP R 22K J 1/10W		R608			RK73EB2E101J	CHIP R 100 J 1/4W	
R110			RK73FB2B683J	CHIP R 68K J 1/8W		R609,610			RK73EB2E472J	CHIP R 4.7K J 1/4W	
R111			RK73GB2A473J	CHIP R 47K J 1/10W		R611			RK73EB2E432J	CHIP R 4.3K J 1/4W	
R112			RK73EB2E203J	CHIP R 20K J 1/4W		R612			RK73EB2E472J	CHIP R 4.7K J 1/4W	
R113			RK73GB2A104J	CHIP R 100K J 1/10W		R613,614			RK73GB2A100J	CHIP R 10 J 1/10W	
R114,115			RK73GB2A103J	CHIP R 10K J 1/10W		R615			RK73GB2A4R7J	CHIP R 4.7 J 1/10W	
R116,117			RK73GB2A682J	CHIP R 6.8K J 1/10W		R616			RK73GB2A473J	CHIP R 47K J 1/10W	
R118			RK73EB2E103J	CHIP R 10K J 1/4W		R617-620			RK73GB2A104J	CHIP R 100K J 1/10W	
R119			RK73GB2A473J	CHIP R 47K J 1/10W		R650			RK73EB2E471J	CHIP R 470 J 1/4W	
R120			RK73GB2A104J	CHIP R 100K J 1/10W		R701,702			RK73GB2A331J	CHIP R 330 J 1/10W	
R203			RK73GB2A103J	CHIP R 10K J 1/10W		R703,704			RK73GB2A223J	CHIP R 22K J 1/10W	
R204			RK73GB2A104J	CHIP R 100K J 1/10W		R705,706			RK73FB2B181J	CHIP R 180 J 1/8W	
R205			RK73GB2A473J	CHIP R 47K J 1/10W		R707,708			RK73GB2A331J	CHIP R 330 J 1/10W	
R207,208			RK73GB2A473J	CHIP R 47K J 1/10W		R709,710			RK73GB2A223J	CHIP R 22K J 1/10W	
R213			RK73GB2A102J	CHIP R 1.0K J 1/10W		R711,712			RK73FB2B181J	CHIP R 180 J 1/8W	
R218			RK73HB1J223J	CHIP R 22K J 1/16W		R713,714			RK73GB2A331J	CHIP R 330 J 1/10W	
R262,263			RK73GB2A473J	CHIP R 47K J 1/10W		R715,716			RK73GB2A223J	CHIP R 22K J 1/10W	
R268			RK73GB2A471J	CHIP R 470 J 1/10W		R717,718			RK73FB2B181J	CHIP R 180 J 1/8W	
R275			RK73GB2A101J	CHIP R 100 J 1/10W		R802			RK73GB2A333J	CHIP R 33K J 1/10W	
R276			RK73GB2A473J	CHIP R 47K J 1/10W		R803			RK73GB2A473J	CHIP R 47K J 1/10W	
R279-282			RK73GB2A472J	CHIP R 4.7K J 1/10W		R804			RK73GB2A331J	CHIP R 330 J 1/10W	
R283			RK73GB2A104J	CHIP R 100K J 1/10W		R805			RK73GB2A223J	CHIP R 22K J 1/10W	
R301			RK73GB2A222J	CHIP R 2.2K J 1/10W		R806			RK73GB2A562J	CHIP R 5.6K J 1/10W	
R302			RK73GB2A103J	CHIP R 10K J 1/10W		R808			RK73GB2A100J	CHIP R 10 J 1/10W	
R306			RK73GB2A222J	CHIP R 2.2K J 1/10W		R809			RK73EB2E102J	CHIP R 1.0K J 1/4W	
R307			RK73GB2A101J	CHIP R 100 J 1/10W		R810			RK73GB2A102J	CHIP R 1.0K J 1/10W	
R317			RK73GB2A222J	CHIP R 2.2K J 1/10W		R811			RK73GB2A473J	CHIP R 47K J 1/10W	
R318			RK73GB2A472J	CHIP R 4.7K J 1/10W		R812			RK73EB2E000J	CHIP R 0.0 J 1/4W	
R319			RK73GB2A222J	CHIP R 2.2K J 1/10W		R813			RK73GB2A432J	CHIP R 4.3K J 1/10W	
R320			RK73GB2A472J	CHIP R 4.7K J 1/10W		R852			RK73GB2A100J	CHIP R 10 J 1/10W	
R327,328			RK73GB2A473J	CHIP R 47K J 1/10W		R855			RK73HB1J101J	CHIP R 100 J 1/16W	
R330			RK73EB2E101J	CHIP R 100 J 1/4W		R856,857			RK73GB2A101J	CHIP R 100 J 1/10W	
R331			RK73GB2A392J	CHIP R 3.9K J 1/10W		R866			RK73HB1J101J	CHIP R 100 J 1/16W	
R332			RK73EB2E101J	CHIP R 100 J 1/4W		R867,868			RK73GB2A103J	CHIP R 10K J 1/10W	
R333			RK73EB2E102J	CHIP R 1.0K J 1/4W		R869			RK73HB1J101J	CHIP R 100 J 1/16W	
R334			RK73GB2A102J	CHIP R 1.0K J 1/10W		R870-872			RK73GB2A101J	CHIP R 100 J 1/10W	
R336,337			RK73GB2A222J	CHIP R 2.2K J 1/10W		R873			RK73GB2A100J	CHIP R 10 J 1/10W	
R338			RK73GB2A102J	CHIP R 1.0K J 1/10W		R874			RK73GB2A101J	CHIP R 100 J 1/10W	
R339			RK73GB2A222J	CHIP R 2.2K J 1/10W		R880,881			RK73GB2A103J	CHIP R 10K J 1/10W	
R340			RK73GB2A225J	CHIP R 2.2M J 1/10W		R882			RK73GB2A220J	CHIP R 22 J 1/10W	
R341			RK73GB2A101J	CHIP R 100 J 1/10W		R885-888			RK73HB1J101J	CHIP R 100 J 1/16W	
R342			RK73GB2A392J	CHIP R 3.9K J 1/10W		R889,890			RK73GB2A101J	CHIP R 100 J 1/10W	
R343			RK73EB2E102J	CHIP R 1.0K J 1/4W		R891-893			RK73GB2A103J	CHIP R 10K J 1/10W	
R344,345			RK73EB2E4R7J	CHIP R 4.7 J 1/4W		R894			RK73GB2A000J	CHIP R 0.0 J 1/10W	

△ Indicates safety critical components.

# KDC-HD545U

## PARTS LIST

### ELECTRIC UNIT (X34-6630-10)

Ref. No.	A d d	N e w	Parts No.	Description	Desti- nation
R895			RK73GB2A392J	CHIP R 3.9K J 1/10W	
R896			RK73GB2A223J	CHIP R 22K J 1/10W	
R898			RK73GB2A000J	CHIP R 0.0 J 1/10W	
R899			RK73GB2A474J	CHIP R 470K J 1/10W	
R900			RK73GB2A560J	CHIP R 56 J 1/10W	
R901			RK73GB2A474J	CHIP R 470K J 1/10W	
R902			RK73GB2A331J	CHIP R 330 J 1/10W	
R903			RK73GB2A181J	CHIP R 180 J 1/10W	
R910			RK73GB2A000J	CHIP R 0.0 J 1/10W	
R920-922			RK73GB2A101J	CHIP R 100 J 1/10W	
R923			RK73GB2A680J	CHIP R 68 J 1/10W	
R924-926			RK73GB2A331J	CHIP R 330 J 1/10W	
R952			RK73GH2A333D	CHIP R 33K D 1/10W	
R953			RK73GB2A682J	CHIP R 6.8K J 1/10W	
R954			RK73GH2A103D	CHIP R 10K D 1/10W	
R955			RK73GH2A333D	CHIP R 33K D 1/10W	
R956			RK73GB2A102J	CHIP R 1.0K J 1/10W	
R958			RK73GH2A473D	CHIP R 47K D 1/10W	
R959			RK73GB2A333J	CHIP R 33K J 1/10W	
R960			RK73GB2A473J	CHIP R 47K J 1/10W	
R961			RK73PB2H100J	CHIP R 10 J 1/2W	
W853			R92-2053-05	CHIP R 0 OHM J 1/8W	
S3			S70-0959-05	TACT SWITCH	
D1			S2V60-5009F46	DIODE	
D2		*	RKZ8.2KG(B2)	ZENER DIODE	
D3			D1F60-5063	DIODE	
D51			CMS14	DIODE	
D101,102			D1F60-5063	DIODE	
D106-108			UDZW6.8(B)	ZENER DIODE	
D109		*	RKZ4.7KG(B2)	ZENER DIODE	
D110			MC2848-T111	DIODE	
D301			DA204U	DIODE	
D304-306		*	RKZ6.8KG(B2)	ZENER DIODE	
D311,312			LVS10C270S030	VARISTOR	
D401		*	HSU119TRF-E	DIODE	
D601-605		*	RKZ6.8KG(B2)	ZENER DIODE	
D650		*	RKZ6.8KG(B2)	ZENER DIODE	
D801,802		*	HSU119TRF-E	DIODE	
D851,852			KP2311ETR-G	DIODE	
D853			EZAEG3A50A	SURGE ABSORBER	
D951			CMS14	DIODE	
IC2			E-TDA7718N	ANALOGUE IC	
IC4			BD4914-V4	ANALOGUE IC	
IC6			E-TDA7851A	ANALOGUE IC	
IC8			XC6120N362N-G	MOS-IC	
IC15			M24256BRDW6TP	ROM IC	
IC51	2D		Impossible to replace	ANALOGUE IC (See exploded view)	
IC52			BD2224G	MOS-IC	
IC302		*	W05-1542-00	MICROCONTROLLER IC	
IC851		*	SAF7746HW	MOS-IC	
IC852		*	TEF7000	ANALOGUE IC	
IC951	2D		Impossible to replace	ANALOGUE IC (See exploded view)	
IC953			XC6209B502P1	ANALOGUE IC	

Ref. No.	A d d	N e w	Parts No.	Description	Desti- nation
IC954			S-1132B18U5T1G	ANALOGUE IC	
IC955			XC6219B122PR	ANALOGUE IC	
IC956		*	TC7WPB306FK-F	MOS-IC	
Q2			KTA1046-P	TRANSISTOR	
Q3			2SC4081	TRANSISTOR	
Q11			RT1N241M-T111	TRANSISTOR	
Q12			RT1P241M-T111	TRANSISTOR	
Q53			RT1N441M-T111	TRANSISTOR	
Q101-103			2SC4081	TRANSISTOR	
Q104,105			RT1N441M-T111	TRANSISTOR	
Q301			RT1P144M-T111	TRANSISTOR	
Q701-706			RT1N430M-T111	TRANSISTOR	
Q707			RT1P241M-T111	TRANSISTOR	
Q951			RT1N441M-T111	TRANSISTOR	
TH1			PRF18BE471QS2	POSITIVE RESISTOR	
A851	2D		X17-2050-10	PROCESSOR UNIT	
<b>MECHANISM ASSY (X92-6360-04) DXM-9B34W</b>					
1		2B	A10-5450-63	CHASSIS ASSY	
3		3B	A10-5452-41	CHASSIS	
4		1B	A10-5453-32	CHASSIS	
12		3A	D10-4993-52	LEVER	
13		1B	D10-4991-22	ARM	
14		1B	D10-4992-13	ARM	
15		2A	D10-4994-02	SLIDER	
16		2A	D10-4995-03	SLIDER	
17		2B	D10-4996-02	SLIDER	
18		2A	D10-4997-03	LEVER	
19		1A	D10-4998-03	ARM	
20		2A	D10-4999-03	ARM	
21		2A	D10-7001-03	ARM	
22		2A	D10-7002-03	ARM	
23		2A	D10-7003-03	ARM	
24		2A	D13-2445-04	GEAR	
25		2A	D13-2446-04	GEAR	
27		2A	D13-2448-04	GEAR	
28		2A	D13-2449-04	GEAR	
29		2A	D13-2450-04	GEAR	
30		2A	D13-2451-04	GEAR	
31		2A	D13-2452-04	GEAR	
32		2A	D13-2453-04	GEAR	
33		2A	D13-2454-04	GEAR	
34		2A	D13-2455-04	GEAR	
35		2B	D13-2456-03	RACK (GEAR)	
36		2A	D14-1028-04	ROLLER	
37		3A	D21-2507-04	SHAFT	
38		2B	D21-2508-04	SHAFT	
39		3A	D23-0963-04	RETAINER	
40		3B	D39-0277-15	DAMPER	
41		3B	D39-0278-15	DAMPER	
46		1B	G01-4682-34	TORSION COIL SPRING	
47		3A	G01-4683-24	EXTENSION SPRING	
48		2A	G01-4684-04	EXTENSION SPRING	
49		2B	G01-4685-04	EXTENSION SPRING	
50		1B	G01-4686-14	EXTENSION SPRING	

△ Indicates safety critical components.

## PARTS LIST

### MECHANISM ASSY (X92-6360-04) DXM-9B34W

Ref. No.	A d d	N e w	Parts No.	Description	Desti- nation	Ref. No.	A d d	N e w	Parts No.	Description	Desti- nation
51	3A		G01-4688-14	EXTENSION SPRING							
52	3A		G01-4692-24	TORSION COIL SPRING							
53	2B		G02-1587-04	FLAT SPRING							
54	3A		G02-1588-04	FLAT SPRING							
55	1B		G13-1297-04	CUSHION							
56	1B		G13-1299-14	CUSHION							
57	1A		G16-1715-04	SHEET							
61	1B		J11-0675-03	CLAMPER							
64	2A		J19-7210-21	HOLDER							
65	2B		J19-7225-04	HOLDER							
66	1B		J22-0706-03	MOUNTING HARDWARE							
67	1A		J22-0707-12	MOUNTING HARDWARE							
68	1B		J90-1166-11	GUIDE							
69	2B		J90-1168-03	RAIL							
A	1A		N09-6108-15	TAPTITE SCREW (M2X3.5)							
B	2B		N09-6426-15	MACHINE SCREW							
C	2B		N09-6735-05	TAPTITE SCREW							
D	2B		N09-6737-15	MACHINE SCREW							
E	2B		N09-6738-15	TAPTITE SCREW							
F	2A		N19-2335-14	FLAT WASHER							
G	2B		N35-2003-48	BINDING HEAD MACHINE SCREW							
H	2B		N39-1720-48	PAN HEAD MACHINE SCREW							
76	2A		S68-0921-05	PUSH SWITCH							
DM1	2B		X94-2090-00	SPINDLE MOTOR ASSY							
DM2	2B		X94-2100-00	FEED MOTOR ASSY (LOAD/SLED)							
DPU1	2B		X93-2280-00	OPTICAL PICKUP ASSY							

△ Indicates safety critical components.