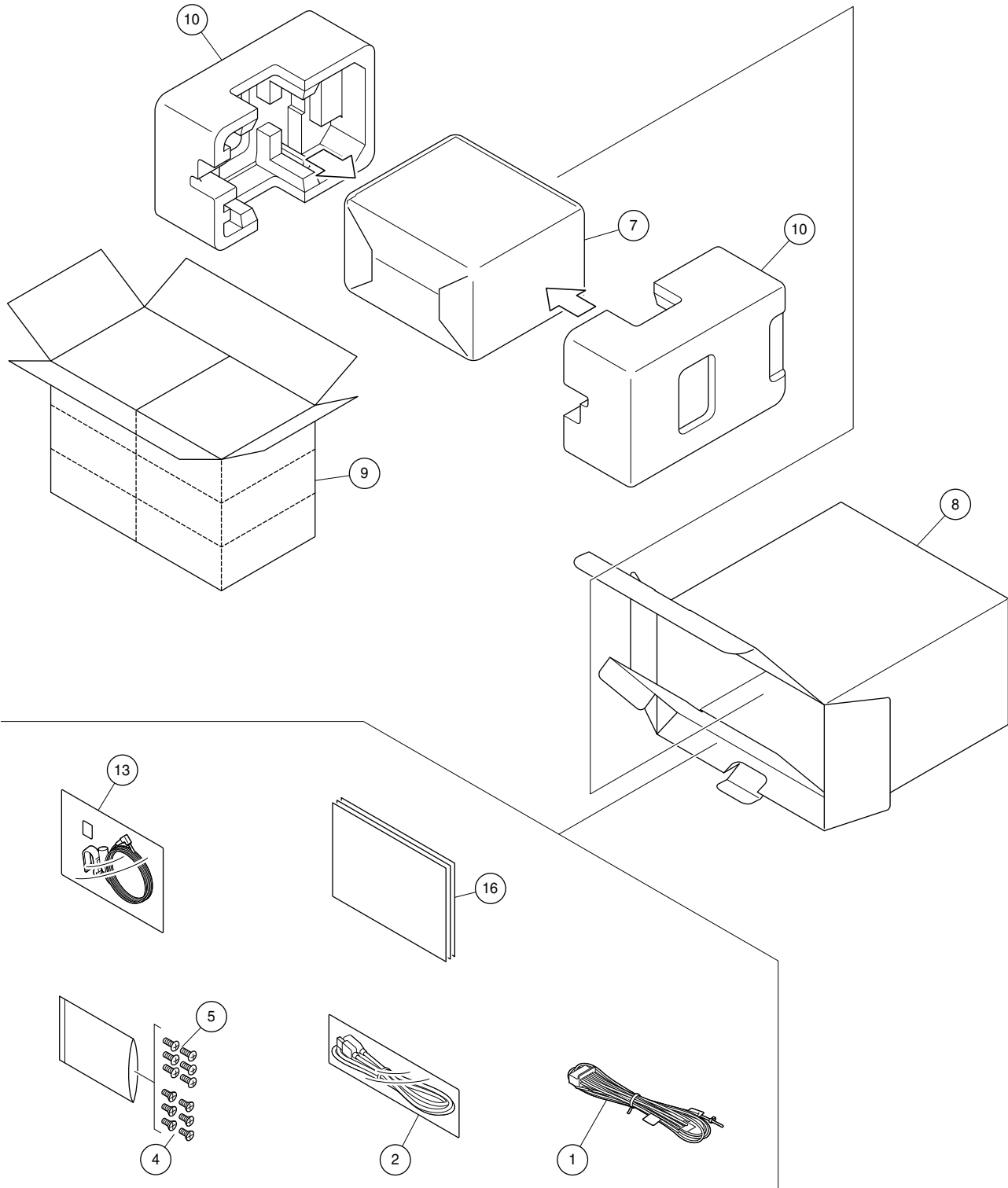


# 9. EXPLODED VIEWS AND PARTS LIST

NOTES : • Parts marked by "\*" are generally unavailable because they are not in our Master Spare Parts List.

- The  $\triangle$  mark found on some component parts indicates the importance of the safety factor of the part. Therefore, when replacing, be sure to use parts of identical designation.
- Screw adjacent to  $\nabla$  mark on the product are used for disassembly.
- For the applying amount of lubricants or glue, follow the instructions in this manual.  
(In the case of no amount instructions, apply as you think it appropriate.)

## 9.1 PACKING



## PACKING SECTION PARTS LIST

<u>Mark No.</u>	<u>Description</u>	<u>Part No.</u>	<u>Mark No.</u>	<u>Description</u>	<u>Part No.</u>
1	Cord Assy	CDP1665	11	*****	
2	USB Extended Cable	CDP1587	12	*****	
3	*****		13	Microphone Assy (3 m)	CPM1113
4	Screw (M5 x 9)	CBA2383	14	*****	
5	Screw (M5 x 9)	CBA2384	15	*****	
6	*****		*	16-1 Owner's Manual	See Contents of Web IM
7	Cover	CEG1359		16-2 Quick Start Guide	QRD3671
8	Unit Box	QHG4513		16-3 Installation Manual	QRD3681
9	Contain Box	QHL4513	*	16-4 Warranty Card	QRY3001
10	Protector	CHP4863			

### Quick Start Guide, Installation Manual

<u>Part No.</u>	<u>Language</u>
QRD3671	English, French, Spanish (Espanol)
QRD3681	English, French, Spanish (Espanol)

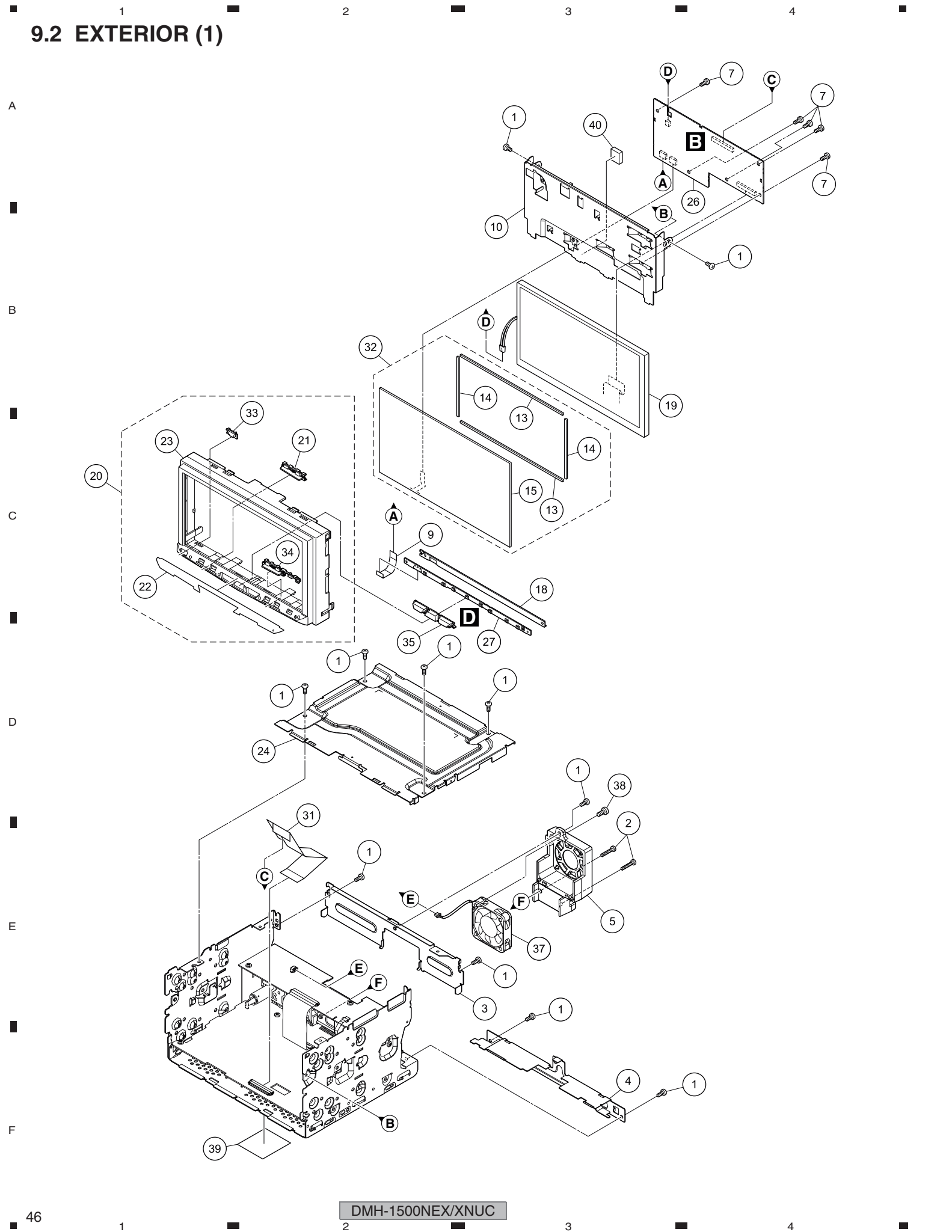
### CONTENTS OF Web IM

<u>Part No.</u>	<u>Language</u>
*OPM_DMH1500NEXUC_en_A	English
*OPM_DMH1500NEXUC_frca_A	French
*OPM_DMH1500NEXUC_esmx_A	Spanish (Espanol)

**Above operation manuals are supplied in PDF files by the WEB.**

**Regarding the availability of paper manual, contact Pioneer Service representative in your region.**

# 9.2 EXTERIOR (1)



## EXTERIOR (1) SECTION PARTS LIST

<u>Mark No.</u>	<u>Description</u>	<u>Part No.</u>	
1	Screw	BSZ26P060FTC	
2	Screw	BSZ26P160FTC	
3	Holder	CND7757	A
4	Holder	CND7759	
5	Heat Sink	CNR2197	
6	.....		
7	Screw	BSZ26P060FTC	
8	.....		
9	FFC	CDD1224	
10	Holder	CND7917	
11	.....		
12	.....		B
13	Cushion	CNN4271	
14	Cushion	CNN4272	
15	Touch Panel	CSX1241	
16	.....		
17	.....		
18	Holder	CNW3803	
19	TFT LCD	CWX4863	
20	Grille Assy	QXA5973	
			C
*	21 Button (VOL)	CAI4876	
*	22 Plate	CNU4019	
*	23 Grille	QNS4408	
	24 Case	CNB3945	
	25 .....		
	26 Service Unit (Monitor)	QXX3319	
	27 Keyboard Unit	CWF2406	
	28 .....		
	29 .....		
	30 .....		D
	31 FFC	CDD1239	
	32 Touch Panel Unit	CXE7770	
*	33 Lighting Conductor	CNW3802	
*	34 Button (DISP)	CAI4938	
	35 Button (MUTE)	CAI4875	
	36 .....		
	37 Motor	CXM1449	
	38 Screw	BPZ30P080FTC	E
	39 Sheet	CNN4831	
	40 Gasket	CNN5583	

# 9.3 EXTERIOR (2)

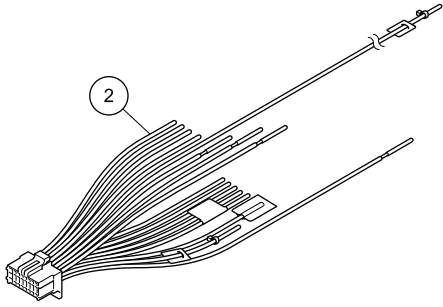
1

2

3

4

A



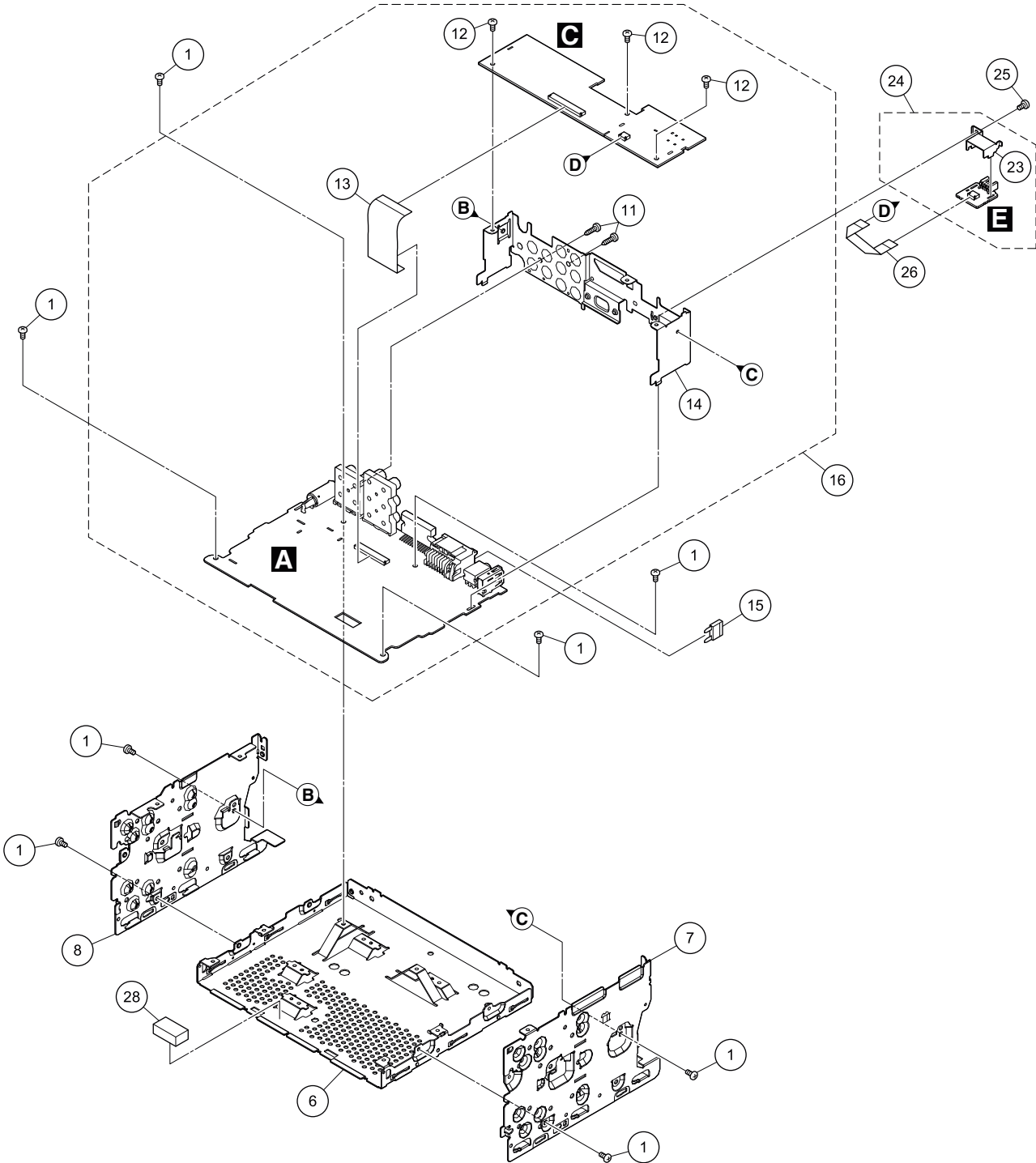
B

C

D

E

F



1

2

3

4



# 12. ELECTRICAL PARTS LIST

## NOTE:

- Parts whose parts numbers are omitted are subject to being not supplied.
- The part numbers shown below indicate chip components.

### Chip Resistor

RS1/OS○○○○J,RS1/○○S○○○○J

### Chip Capacitor (except for CQS.....)

CKS....., CCS....., CSZS.....

- Parts marked by " \* " are generally unavailable because they are not in our Master Spare Parts List.
- The  $\Delta$  mark found on some component parts indicates the importance of the safety factor of the part. Therefore, when replacing, be sure to use parts of identical designation.
- The expression of the unit in this manual is shown by  $u$  instead of  $\mu$ . Please do not make a mistake.

<u>Circuit Symbol and No.</u>	<u>Part No.</u>	<u>Circuit Symbol and No.</u>	<u>Part No.</u>
<b>Unit Number : QXX3316</b>		IC 1501	IC AK4223VQ
<b>Unit Name : Service Unit (Mother I/F)</b>		IC 1601	OP AMP IC NJW1240V
<b>Unit Number : QXX3319</b>		IC 1721	Logic IC TC7SH32FUS2
<b>Unit Name : Service Unit (Monitor)</b>		IC 1901	Logic IC TC7SZU04FUS2
<b>Unit Number : CWF2406</b>		IC 2451	Interface IC STCC2540IQ
<b>Unit Name : Keyboard Unit</b>		IC 2501	Comparator IC TC75S57FU
<b>Unit Number : QXX3323</b>		IC 4011	Variable Regulator BA00CC0WFP
<b>Unit Name : Service Unit (I-Data)</b>		IC 4021	IC CA0023AN
		IC 4022	IC CA0023AN
		IC 4131	Buffer Logic IC TC7SH126FUS1
		IC 4132	AND Logic IC MC74VHC1GT08DFG
		IC 4171	AND Logic IC MC74VHC1GT08DFG
		IC 4172	AND Logic IC MC74VHC1GT08DFG
		IC 4201	OP AMP IC NJU7043V
		IC 8401	Tuner IC TEF6686HN-V102
<b>Service Unit (Mother I/F)</b>		IC 9001	E-VOL SYS LSI PM9015A
<b>Consists of</b>		IC 9201	Power AMP IC TCB501HQ
<b>Mother PCB</b>		Q 3	Bipolar TR HN1C01FUS1
<b>Interface PCB</b>		Q 5	Resistor Built-IN TR LTC014EEB
		Q 6	Bipolar TR LSCR523UB
		Q 7	Bipolar TR LSAR523UB
		Q 8	Bipolar TR LSAR523UB
		Q 190	Resistor Built-IN TR LTC014EEB
		Q 191	Bipolar TR LSAR523UB
		Q 401	Power MOS FET SFT1342
		Q 402	Power MOS FET SFT1342
		Q 601	Bipolar TR LSCR523UB
		Q 1131	Bipolar TR LSCR523UB
		Q 1132	Bipolar TR LSCR523UB
		Q 1133	Bipolar TR LSCR523UB
		Q 1134	Bipolar TR LSCR523UB
		Q 1191	Bipolar TR LSAR523UB
		Q 1601	Resistor Built-IN TR LTC044EEB
		Q 1721	Resistor Built-IN TR LTC043ZEB
		Q 1901	Transistor 2SAR502UB
		Q 1902	Resistor Built-IN TR LTC023YEB
		Q 2251	Bipolar TR HN1B04FUS1
		Q 2301	Transistor 2SD2114K
		Q 2302	Resistor Built-IN TR RN4984S1
		Q 2303	Resistor Built-IN TR RN4984S1
		Q 4011	Resistor Built-IN TR LTC014EEB
		Q 4201	Bipolar TR LSCR523UB
		D 4	Diode D1F60-5053
		D 5	Diode D1F60-5053
IC 101	Regulator IC NJW4181U3-33B		
IC 111	Regulator IC NJW4184DL3-08A		
IC 141	Regulator IC MM3411A33N		
IC 161	Regulator IC RP108J081D-AE		
IC 231	Regulator IC MM1856A50N		
IC 271	Regulator IC MM1856A58N		
IC 304	Regulator IC MM3479A33P		
IC 351	DC/DC CONV IC KBD9876EFJ		
IC 401	IC AN33012UA		
IC 451	DC/DC CONV IC MM3630BR		
IC 501	DC/DC CONV IC TLV62065TDSGQ1		
*IC 601	Flash Blank UC IC MN103LFA5RXW		
IC 901	U-PRO IC MN2KSC100M		
IC 1101	CONV IC AK5720VT		
IC 1191	IC 337S3959		
IC 1301	Flash ROM Unit CVQ1205		
IC 1321	Flash Memory IC W25Q64JVSSIQ		
IC 1341	Flash ROM Unit CVQ1208		
IC 1401	RAM IC W631GG6MB-12		
IC 1402	RAM IC W631GG6MB-12		

	1	2	3	4
	<u>Circuit Symbol and No.</u>	<u>Part No.</u>	<u>Circuit Symbol and No.</u>	<u>Part No.</u>
	D 7 Zener Diode	UDZV6R2(B)	L 2357 Chip Beads	VTL1126
	D 8 Zener Diode	UDZV6R8(B)	L 2401 Chip Beads	VTL1126
A	D 9 Switching Diode	1SS355VM	L 2402 Chip Beads	VTL1126
	D 10 Zener Diode	UDZV5R6(B)	L 2403 Chip Beads	VTL1126
	D 12 Switching Diode	1SS355VM	L 2404 Chip Beads	VTL1126
	D 13 Switching Diode	1SS355VM	L 2405 Chip Beads	VTL1126
	D 14 Schottky Diode	RB080LAM-30TF	L 2406 Chip Beads	VTL1126
	D 163 Schottky Diode	RB056LAM-40TF	L 2407 SMD Ferrite Beads	CTF1869
	D 164 Schottky Diode	RB056LAM-40TF	L 2451 Noise Filter	CTF1887
	D 351 Schottky Diode	RB056LAM-40TF	L 4021 SMD SPL Inductor	LCYA100J2016
	D 401 Schottky Diode	RB056LAM-40TF	L 4083 Chip Beads	VTL1126
	D 402 Schottky Diode	RB056LAM-40TF	L 4084 Chip Beads	VTL1126
	D 451 Schottky Diode	RB080LAM-30TF	L 4104 Chip Beads	VTL1126
B	D 601 Schottky Diode	RB751SM-40	L 4105 Chip Beads	VTL1126
	D 602 Schottky Diode	RB751SM-40	L 4122 Chip Beads	VTL1126
	D 801 Zener Diode	RSB6R8SM	L 4123 Chip Beads	VTL1126
	D 871 Zener Diode	RSB6R8SM	L 4201 Ferrite Bead	CTF1528
	D 872 Zener Diode	RSB6R8SM	L 8401 SMD Ferrite Beads	CTF1893
	D 873 Zener Diode	RSB6R8SM	L 8403 Inductor	LCTC150K1608
	D 874 Zener Diode	RSB6R8SM	L 8405 Inductor	LCMAR27J1608
	D 1901 Zener Diode	RSB6R8SM	L 8409 Inductor	CTF1787
	D 1904 Zener Diode	RSB6R8SM	X 601 Crystal Resonator 12.500 MHz	CSS1839
	D 1905 Zener Diode	RSB6R8SM	X 801 Resonator 24 MHz	CSS1773
	D 2211 Zener Diode	RSB6R8SM	X 1901 Resonator 32.768 kHz	CSS1807
C	D 2301 Diode	RSB18V	X 8401 Crystal Resonator 9.216 MHz	CSS1888
	D 2302 Diode	RSB18V	F 9001 EMI Filter	CCG1142
	D 2303 Diode	RSB18V	F 9002 EMI Filter	CCG1142
	D 2304 Diode	RSB18V	F 9201 EMI Filter	CCG1142
	D 2305 Zener Diode	UDZV3R9(B)	F 9202 EMI Filter	CCG1142
	D 2352 Diode	RSB18V	⚠ P301 Poly Switch	FSMD110-24R
	D 2353 Diode	RSB18V	⚠ P2201 Fuse 0.75 A	CEK1398
	D 2354 Diode	RSB18V	⚠ P2352 Poly Switch	FSMD075-24R
	D 2451 Diode	EZAEG2A50AX	⚠ P2401 Poly Switch	FSMD075-24R
	D 2452 Diode	EZAEG2A50AX	⚠ P4021 Poly Switch	FSMD075-24R
	D 4171 Switching Diode	1SS355VM	⚠ P4081 Poly Switch	FSMD075-24R
D	D 8451 Diode	EZAEG2A50AX	P 8451 Surge Absorber	IMSA-6803-01Y900
	D 8452 Diode	EZAEG2A50AX		
	D 8453 Zener Diode	RSB6R8SM	TH 801 Thermistor	CCX1084
	L 3 Choke Coil 120 uH	CTH1636	VL 8401 Variable Coil	CTC1215
	L 101 Chip Beads	VTL1127	CN 2201 FFC/FPC Connector	CKS6645
	L 351 SMD SPL Inductor	CTH1524	CN 2252 FFC/FPC Connector	CKS6703
	L 401 SMD SPL Inductor	CTH1544	CN 4002 FFC/FPC Connector	CKS6646
	L 402 Choke Coil 7.0 uH	CTH1381	CN 4011 Connector	CKS4977
	L 451 SMD SPL Inductor	CTH1584	CN 4021 Connector	CKS4497
	L 501 Inductor	CTH1629	CN 4171 FFC/FPC Connector	CKS6634
E	L 801 Inductor	CTF1645	JA 1 Connector	CKM1613
	L 802 Inductor	CTF1740	JA 2301 3.5 DIA Jack	CKN1106
	L 803 Inductor	CTF1645	JA 2351 RCA Jack	CKB1110
	L 804 SMD Ferrite Beads	CTF1869	JA 2401 RCA Jack	CKB1113
	L 1901 SMD Ferrite Beads	CTF1869	JA 2451 USB Jack	CKN1136
	L 2301 Chip Beads	VTL1126	JA 4081 3.5 DIA Jack	CKS6437
	L 2302 Chip Beads	VTL1126	JA 4101 Jack	CKN1101
	L 2303 Chip Beads	VTL1126	JA 4121 RCA Jack	CKB1106
	L 2304 Chip Beads	VTL1126	JA 4131 Connector	CKS6495
	L 2351 Chip Beads	VTL1126	JA 8451 Antenna Jack	CKX1104
	L 2352 Chip Beads	VTL1126	U 1901 BT Module	CWX4751
F	L 2353 Chip Beads	VTL1126		
	L 2354 Chip Beads	VTL1126		
	L 2355 Chip Beads	VTL1126		
	L 2356 Chip Beads	VTL1126		
			<b>RESISTORS</b>	
			R 51	RS1/4SA0R0J

5		6	7		8
<u>Circuit Symbol and No.</u>		<u>Part No.</u>	<u>Circuit Symbol and No.</u>		<u>Part No.</u>
R	53	RS1/16SS103J	R	464	RS1/16SS0R0J
R	55	RS1/16SS473J	R	502	RS1/16SS473J
R	56	RS1/16SS472J	R	505	RS1/16SS1803D
R	57	RS1/16SS104J	R	507	RS1/16SS2703D
					A
R	58	RS1/16SS473J	R	603	RS1/16SS472J
R	59	RS1/4SA102J	R	604	RS1/16SS104J
R	60	RS1/16SS103J	R	605	RS1/16SS473J
R	61	RS1/16SS472J	R	606	RS1/16SS473J
R	62	RS1/4SA102J	R	607	RS1/16SS221J
R	63	RS1/16SS473J	R	608	RS1/16SS221J
R	64	RS1/16SS104J	R	609	RS1/16SS472J
R	65	RS1/16SS472J	R	610	RS1/16SS102J
R	66	RS1/4SA102J	R	611	RS1/16SS103J
R	67	RS1/16SS102J	R	612	RS1/16SS471J
R	68	RS1/16SS473J	R	613	RS1/16SS473J
R	69	RS1/16SS223J	R	614	RS1/16SS471J
R	70	RS1/16SS103J	R	618	RS1/16SS472J
R	71	RS1/16SS223J	R	619	RS1/16SS472J
R	72	RS1/16SS102J	R	621	RS1/16SS473J
R	73	RS1/16SS473J	R	622	RS1/16SS473J
R	74	RS1/16SS103J	R	624	RS1/16SS104J
R	161	RS1/16SS5601D	R	625	RS1/16SS102J
R	162	RS1/16SS1202D	R	626	RS1/16SS0R0J
R	190	RS1/16SS222J	R	627	RS1/16SS102J
R	191	RS1/16SS222J	R	628	RS1/16SS104J
R	308	RS1/16SS102J	R	629	RS1/16SS473J
R	351	RS1/16SS302J	R	631	RS1/16SS121J
R	352	RS1/16SS4702D	R	632	RS1/16SS104J
R	353	RS1/16SS1202D	R	633	RS1/16SS121J
R	354	RS1/16SS822J	R	635	RS1/16SS102J
R	357	RS1/8SQ331J	R	636	RS1/16SS473J
R	401	RS1/16SS561J	R	640	RS1/16SS682J
R	402	RS1/16SS1502D	R	650	RS1/16SS101J
R	403	RS1/16SS1301D	R	651	RS1/16SS102J
R	404	RS1/16SS5101D	R	656	RS1/16SS822J
R	405	RS1/16SS222J	R	657	RS1/16SS471J
R	406	RS1/16SS103J	R	659	RS1/16SS473J
R	408	CCN1341	R	660	RS1/16SS473J
R	409	RS1/16SS204J	R	661	RS1/16SS222J
R	410	RS1/16SS394J	R	662	RS1/16SS104J
R	411	CCN1328	R	665	RS1/16SS221J
R	412	RS1/16SS224J	R	666	RS1/16SS221J
R	413	RS1/16SS272J	R	668	RS1/16SS221J
R	414	RS1/16SS1101D	R	669	RS1/16SS104J
R	415	RS1/16SS1001D	R	683	RS1/16SS103J
R	416	RS1/16SS1502D	R	684	RS1/16SS221J
R	417	RS1/16SS221J	R	685	RS1/16SS104J
R	422	RS1/16SS473J	R	686	RS1/16SS103J
R	423	RS1/16SS473J	R	687	RS1/16SS221J
R	432	CCN1328	R	688	RS1/16SS104J
R	437	RS1/4SA331J	R	689	RS1/16SS104J
R	451	RS1/16SS123J	R	690	RS1/16SS101J
R	452	RS1/16SS3001D	R	691	RS1/16SS221J
R	453	RS1/16SS1602D	R	692	RS1/16SS221J
R	455	RS1/16SS2001D	R	693	RS1/16SS221J
R	456	RS1/16SS473J	R	694	RS1/16SS104J
R	457	RS1/16SS304J	R	695	RS1/16SS471J
R	458	CCN1339	R	696	RS1/16SS103J
R	461	RS1/4SA331J	R	698	RS1/16SS473J
R	463	RS1/16SS0R0J	R	699	RS1/16SS471J
					F

	1	2	3	4
	<u>Circuit Symbol and No.</u>	<u>Part No.</u>	<u>Circuit Symbol and No.</u>	<u>Part No.</u>
	R 700	RS1/16SS472J	R 906	RS1/16SS2202D
	R 701	RS1/16SS471J	R 907	RS1/16SS5601D
	R 702	RS1/16SS472J	R 908	RS1/16SS3301D
A	R 703	RS1/16SS221J	R 911	RS1/16SS104J
	R 708	RS1/16SS473J	R 912	RS1/16SS104J
	R 711	RS1/16SS102J	R 913	RS1/16SS1R0J
	R 716	RS1/16SS103J	R 924	RS1/16SS390J
	R 717	RS1/16SS101J	R 925	RS1/16SS104J
	R 720	RS1/16SS0R0J	R 926	RS1/16SS473J
	R 800	RS1/16SS473J	R 929	RS1/16SS104J
	R 802	RS1/16SS183J	R 930	RS1/16SS390J
	R 804	RS1/16SS101J	R 931	RS1/16SS390J
	R 807	RS1/16SS473J	R 932	RS1/16SS390J
	R 808	RS1/16SS0R0J	R 933	RS1/16SS2402D
B	R 809	RS1/16SS0R0J	R 935	RS1/16SS103J
	R 812	RS1/16SS0R0J	R 936	RS1/16SS1802D
	R 815	RS1/16SS0R0J	R 937	RS1/16SS6201D
	R 825	RS1/16SS103J	R 938	RS1/10SR2400D
	R 830	RS1/16SS121J	R 940	RAB4CQ200J
	R 831	RS1/16SS0R0J	R 941	RAB4CQ200J
	R 834	RS1/16SS473J	R 942	RAB4CQ200J
	R 835	RS1/16SS473J	R 943	RAB4CQ200J
	R 836	RS1/16SS473J	R 944	RAB4CQ200J
	R 837	RS1/16SS473J	R 945	RS1/16SS200J
C	R 840	RS1/16SS473J	R 946	RS1/16SS200J
	R 841	RS1/16SS473J	R 947	RS1/16SS200J
	R 842	RS1/16SS473J	R 948	RS1/16SS200J
	R 843	RS1/16SS473J	R 949	RS1/16SS200J
	R 844	RS1/16SS473J	R 950	RS1/16SS200J
	R 845	RS1/16SS103J	R 953	RS1/16SS101J
	R 852	RS1/16SS104J	R 955	RS1/16SS680J
	R 861	RAB4CQ390J	R 956	RS1/16SS101J
	R 862	RAB4CQ390J	R 957	RS1/16SS101J
	R 863	RAB4CQ390J	R 958	RS1/16SS680J
	R 864	RAB4CQ390J	R 959	RS1/16SS680J
D	R 865	RAB4CQ390J	R 960	RS1/16SS680J
	R 866	RAB4CQ390J	R 961	RS1/16SS680J
	R 869	RS1/16SS390J	R 962	RS1/16SS101J
	R 870	RS1/16SS101J	R 963	RS1/16SS101J
	R 871	RS1/16SS101J	R 964	RS1/16SS101J
	R 882	RAB4CQ390J	R 1102	RS1/16SS472J
	R 884	RS1/16SS680J	R 1104	RS1/16SS0R0J
	R 885	RS1/16SS271J	R 1105	RS1/16SS0R0J
	R 886	RS1/16SS101J	R 1107	RS1/16SS0R0J
	R 887	RS1/16SS101J	R 1109	RS1/16SS222J
	R 888	RS1/16SS101J	R 1110	RS1/16SS103J
E	R 889	RS1/16SS101J	R 1111	RS1/16SS0R0J
	R 890	RAB4CQ390J	R 1115	RS1/10SR0R0J
	R 891	RS1/16SS473J	R 1116	RS1/10SR0R0J
	R 892	RS1/16SS473J	R 1117	RS1/16SS0R0J
	R 893	RS1/16SS222J	R 1118	RS1/16SS0R0J
	R 894	RS1/16SS222J	R 1119	RS1/16SS0R0J
	R 896	RAB4CQ103J	R 1120	RS1/16SS0R0J
	R 899	RAB4CQ103J	R 1122	RS1/16SS103J
	R 900	RS1/16SS104J	R 1123	RS1/16SS103J
	R 901	RS1/16SS104J	R 1124	RS1/16SS0R0J
F	R 902	RS1/16SS104J	R 1125	RS1/16SS0R0J
	R 903	RS1/16SS104J	R 1132	RS1/16SS103J
	R 904	RS1/16SS105J	R 1134	RS1/16SS104J
	R 905	RS1/16SS102J	R 1135	RS1/16SS153J

5		6		7		8	
<u>Circuit Symbol and No.</u>		<u>Part No.</u>		<u>Circuit Symbol and No.</u>		<u>Part No.</u>	
R	1136	RS1/16SS471J		R	1902	RS1/16SS121J	
R	1139	RS1/16SS0R0J		R	1903	RS1/16SS121J	
R	1141	RS1/16SS103J		R	1904	RS1/16SS121J	
R	1142	RS1/16SS153J		R	1917	RS1/16SS0R0J	A
R	1143	RS1/16SS471J		R	1918	RS1/16SS106J	
R	1144	RS1/16SS103J		R	1919	RS1/16SS105J	
R	1145	RS1/16SS153J		R	1920	RS1/16SS103J	
R	1146	RS1/16SS471J		R	1921	RS1/16SS103J	
R	1147	RS1/16SS103J		R	1923	RS1/16SS103J	
R	1148	RS1/16SS153J		R	1924	RS1/16SS0R0J	
R	1149	RS1/16SS471J		R	1925	RS1/16SS0R0J	
R	1159	RS1/16SS0R0J		R	1926	RS1/16SS0R0J	
R	1160	RS1/16SS0R0J		R	1927	RS1/16SS103J	
R	1161	RS1/16SS0R0J		R	1928	RS1/16SS103J	
R	1172	RS1/16SS102J		R	1931	RS1/16SS0R0J	B
R	1173	RS1/16SS103J		R	1932	RS1/16SS103J	
R	1174	RAB4CQ103J		R	1933	RS1/10SR221J	
R	1191	RS1/16SS472J		R	1936	RS1/16SS121J	
R	1192	RS1/16SS473J		R	1937	RS1/16SS0R0J	
R	1193	RS1/16SS183J		R	1939	RS1/16SS473J	
R	1195	RS1/16SS222J		R	2251	RS1/16SS0R0J	
R	1196	RS1/16SS222J		R	2252	RS1/16SS0R0J	
R	1197	RS1/16SS220J		R	2256	RS1/16SS562J	
R	1198	RS1/16SS222J		R	2258	RS1/16SS103J	
R	1401	RS1/16SS4700D		R	2259	RS1/16SS103J	C
R	1402	RS1/16SS4700D		R	2260	RS1/10SR222J	
R	1403	RS1/16SS4700D		R	2261	RS1/16SS332J	
R	1404	RS1/16SS4700D		R	2263	RS1/16SS0R0J	
R	1405	RS1/16SS103J		R	2305	RS1/16SS223J	
R	1406	RS1/16SS103J		R	2306	RS1/16SS223J	
R	1409	RS1/16SS103J		R	2308	RS1/16SS103J	
R	1411	RS1/16SS2200D		R	2309	RS1/16SS122J	
R	1412	RS1/16SS2200D		R	2310	RS1/16SS152J	
R	1413	RS1/16SS2400F		R	2311	RS1/16SS0R0J	
R	1414	RS1/16SS2400F		R	2359	RS1/16SS223J	
R	1509	RS1/16SS75R0D		R	2360	RS1/16SS223J	D
R	1511	RS1/16SS75R0D		R	2408	RS1/16SS223J	
R	1512	RS1/16SS2200D		R	2410	RS1/16SS223J	
R	1514	RS1/16SS750J		R	2414	RS1/16SS223J	
R	1517	RS1/16SS101J		R	2417	RS1/16SS223J	
R	1518	RS1/16SS101J		R	2420	RS1/16SS223J	
R	1519	RS1/16SS101J		R	2423	RS1/16SS223J	
R	1520	RS1/16SS101J		R	2451	RS1/16SS103J	
R	1521	RS1/16SS101J		R	2452	RS1/16SS183J	
R	1522	RS1/16SS101J		R	2453	RS1/16SS102J	
R	1526	RS1/16SS0R0J		R	2454	RS1/16SS103J	
R	1527	RS1/16SS0R0J		R	2455	RS1/16SS103J	E
R	1528	RS1/16SS0R0J		R	2504	RS1/16SS2002D	
R	1529	RS1/16SS0R0J		R	2505	RS1/16SS1302D	
R	1538	RS1/16SS470J		R	2506	RS1/16SS682J	
R	1601	RS1/16SS103J		R	2507	RS1/16SS103J	
R	1602	RS1/16SS684J		R	2508	RS1/16SS0R0J	
R	1604	RS1/16SS100J		R	2509	RS1/16SS103J	
R	1605	RS1/16SS102J		R	2551	RS1/16SS0R0J	
R	1701	RS1/16SS0R0J		R	2554	RS1/16SS0R0J	
R	1702	RS1/16SS103J		R	2555	RS1/16SS0R0J	
R	1723	RS1/16SS683J		R	2563	RS1/10SR0R0J	F
R	1724	RS1/16SS683J		R	2564	RS1/16SS0R0J	
R	1725	RS1/16SS221J		R	2565	RS1/16SS0R0J	
R	1901	RS1/16SS0R0J		R	2570	RS1/16SS0R0J	

1

2

3

4

**Circuit Symbol and No.****Part No.****Circuit Symbol and No.****Part No.**

R 2571  
R 2572  
R 2573  
R 2574

RS1/16SS0R0J  
RS1/16SS0R0J  
RS1/10SR0R0J  
RS1/16SS0R0J

R 8409  
R 8410  
R 8412  
R 8413

RS1/16SS101J  
RS1/16SS101J  
RS1/16SS391J  
RS1/16SS105J

A

R 4011  
R 4012  
R 4013  
R 4014  
R 4026

RS1/16SS473J  
RS1/16SS3601D  
RS1/16SS7501D  
RS1/16SS1601D  
RAB4CQ750J

R 8414  
R 8432  
R 8433  
R 8434  
R 8435

RS1/16SS105J  
RS1/10SR0R0J  
RS1/10SR0R0J  
RS1/10SR0R0J  
RS1/10SR0R0J

R 4027  
R 4028  
R 4029  
R 4030  
R 4031

RS1/16SS223J  
RS1/16SS223J  
RS1/16SS562J  
RS1/16SS101J  
RS1/16SS101J

R 9053  
R 9058  
R 9208

RS1/16SS0R0J  
RS1/16SS0R0J  
RS1/10SR0R0J

**CAPACITORS**

B

R 4032  
R 4033  
R 4034  
R 4035  
R 4036

RS1/16SS101J  
RS1/16SS102J  
RS1/16SS102J  
RS1/16SS471J  
RS1/16SS471J

C 46  
C 48  
C 51  
C 102  
C 103

CKSRYX105K16  
CKSSYB102K50  
CEAT472M16  
CKSRYX104K50  
CKSSYB104K10

R 4037  
R 4038  
R 4039  
R 4040  
R 4121

RS1/16SS272J  
RS1/16SS272J  
RS1/16SS103J  
RS1/16SS0R0J  
RS1/16SS750J

C 104  
C 111  
C 112  
C 114  
C 115

CKSRYX475K6R3  
CKSRYX105K25  
CKSSYB104K16  
CKSRYX104K50  
CKSQYX475K25

C

R 4142  
R 4143  
R 4144  
R 4145  
R 4146

RS1/16SS471J  
RS1/16SS223J  
RS1/16SS223J  
RS1/16SS181J  
RS1/16SS181J

C 140  
C 141  
C 143  
C 161  
C 162

CKSRYB474K16  
CKSQYX106K10  
CKSRYB474K16  
CKSQYX106K10  
CKSQYX106K10

R 4147  
R 4148  
R 4149  
R 4151  
R 4152

RS1/10SR822J  
RS1/10SR471J  
RS1/16SS104J  
RS1/16SS471J  
RS1/16SS0R0J

C 190  
C 231  
C 232  
C 271  
C 272

CKSSYB104K10  
CKSRYX105K16  
CKSSYX105K10  
CKSRYX105K16  
CKSRYX105K16

D

R 4153  
R 4172  
R 4174  
R 4176  
R 4177

RS1/16SS0R0J  
RS1/16SS101J  
RS1/16SS103J  
RS1/16SS104J  
RS1/16SS0R0J

C 309  
C 310  
C 315  
C 318  
C 347

CKSSYX105K10  
CKSSYX105K10  
CKSSYB104K10  
CKSSYB102K50  
CKSQYX106K10

R 4178  
R 4179  
R 4180  
R 4201  
R 4202

RS1/16SS102J  
RS1/16SS0R0J  
RS1/16SS0R0J  
RS1/16SS0R0J  
RS1/16SS0R0J

C 352  
C 353  
C 356  
C 357  
C 358

CKSSYB103K16  
CKSQYX106K10  
CKSSYB473K16  
CKSSYB103K50  
CKSYX106K35

E

R 4203  
R 4204  
R 4205  
R 4206  
R 4207

RS1/16SS102J  
RS1/16SS222J  
RS1/16SS332J  
RS1/16SS472J  
RS1/16SS103J

C 359  
C 362  
C 401  
C 402  
C 403

47 uF

CKSSYB103K50  
CCG1256  
CKSSYB102K50  
CKSSYB223K16  
CCSSCH8R0D50

R 4208  
R 4209  
R 4210  
R 4212  
R 4213

RS1/16SS824J  
RS1/16SS563J  
RS1/16SS0R0J  
RS1/16SS472J  
RS1/16SS102J

C 404  
C 405  
C 406  
C 407  
C 408

CCSSCH8R0D50  
CKSSYB223K16  
CKSSYB102K50  
CKSSYB102K50  
CKSSYB104K16

F

R 4214  
R 8401  
R 8404  
R 8406  
R 8407

RS1/16SS102J  
RS1/16SS0R0J  
RS1/16SS103J  
RS1/16SS103J  
RS1/16SS472J

C 409  
C 410  
C 413  
C 414  
C 416

CKSYX226M16  
CKSYX226M16  
CKSRYB473K50  
CKSSYB102K50  
CKSSYB104K10

R 8408

RS1/16SS472J

1

2

3

4

5		6		7		8	
<u>Circuit Symbol and No.</u>		<u>Part No.</u>		<u>Circuit Symbol and No.</u>		<u>Part No.</u>	
C 419		CKSSYB104K16		C 840		CCSSCH120J50	
C 420		CKSSYB103K16		C 841		CCSSCH100D50	
C 421		CKSSYB104K10		C 860		CKSSYX105K10	
C 422		CKSRYX105K16		C 901		CKSSYB104K10	A
C 425		CKSYX226M16		C 902		CKSSYB104K10	
C 426		CKSYX226M16		C 903		CKSSYB104K10	
C 427		CKSSYB104K16		C 904		CKSSYB104K10	
C 428		CKSSYB102K50		C 905		CKSSYB104K10	
C 433		CKSYX106K35		C 906		CKSSYB104K10	
C 436		CKSYX106K35		C 907		CKSSYB104K10	
C 451		CKSSYB153K16		C 908		CKSSYB104K10	
C 452		CKSSYB222K50		C 909		CKSSYB104K10	
C 454		CKSSYB331K50		C 910		CKSSYB104K10	
C 455		CKSSYX105K10		C 911		CKSSYB104K10	
C 456		CKSRYX104K50		C 912		CKSSYB104K10	B
C 457		CKSYX226M16		C 913		CKSSYB104K10	
C 458		CKSRYX225K10		C 914		CKSSYB104K10	
C 459		CEVW101M16		C 915		CKSSYB104K10	
C 460		CKSRYB224K16		C 916		CKSSYB104K10	
C 461		CEVW470M16		C 917		CKSSYB104K10	
C 462		CKSYX106K35		C 918		CKSSYB104K10	
C 465		CKSSYX105K10		C 919		CKSSYB104K10	
C 502		CKSQYX106K10		C 920		CKSSYB104K10	
C 503		CCSSCH220J50		C 921		CKSSYB104K10	
C 504		CKSQYX106K10		C 922		CKSSYB104K10	
C 505		CKSSYB103K16		C 923		CKSSYB104K10	C
C 602		CCSSCH100D50		C 924		CKSSYB104K10	
C 603		CCSSCH120J50		C 925		CKSSYB104K10	
C 604		CKSSYX105K10		C 926		CKSSYB104K10	
C 605		CKSSYB104K10		C 927		CKSSYB104K10	
C 606		CKSRYX105K16		C 928		CKSSYB104K10	
C 607		CKSSYB104K10		C 929		CKSSYB104K10	
C 608		CKSSYB104K10		C 930		CKSSYB104K10	
C 609		CKSSYB104K10		C 931		CCSSCH100D50	
C 610		CKSSYB104K10		C 932		CKSSYB104K10	
C 611		CKSSYX105K10		C 933		CKSSYX105K10	D
C 615		CKSSYB104K10		C 934		CKSSYX105K10	
C 616		CKSSYX105K10		C 935		CKSSYX105K10	
C 620		CKSSYB104K10		C 936		CKSSYX105K10	
C 621		CKSSYB103K16		C 937		CKSSYX105K10	
C 622		CCSSCH102J50		C 938		CKSSYX105K10	
C 623		CKSSYB104K10		C 939		CKSSYX105K10	
C 624		CKSSYX105K10		C 940		CKSSYX105K10	
C 625		CKSSYB104K10		C 941		CKSSYB103K16	
C 626		CKSSYB104K10		C 942		CKSSYB102K50	
C 627		CKSSYB104K10		C 943		CKSSYB104K10	
C 628		CKSSYB104K10		C 944		CKSSYB104K10	E
C 629		CKSSYB104K10		C 945		CKSSYB104K10	
C 630		CKSQYX226M6R3		C 946		CKSSYB104K10	
C 632		CKSSYB104K10		C 947		CKSSYB104K10	
C 635		CCSSCH471J50		C 948		CKSSYB104K10	
C 801		CKSQYX106K10		C 949		CKSSYB104K10	
C 802		CKSQYX476M6R3		C 1102		CKSSYX105K10	
C 803		CKSQYX106K10		C 1104		CKSSYX474K6R3	
C 807		CKSSYB104K10		C 1105		CKSQYX106K10	
C 810		CKSQYX106K10		C 1106		CKSQYX106K10	
C 811		CKSSYB104K10		C 1107		CKSSYB104K10	F
C 817		CKSSYB104K10		C 1108		CKSSYB104K10	
C 818		CKSSYX105K10		C 1109		CKSRYX225K10	
C 819		CKSSYX105K10		C 1131		CKSQYX106K10	

	1	2	3	4
	<u>Circuit Symbol and No.</u>	<u>Part No.</u>	<u>Circuit Symbol and No.</u>	<u>Part No.</u>
	C 1132	CKSQYX106K10	C 1602	CKSRyx105K25
	C 1133	CKSQYX106K10	C 1603	CKSRyx105K25
	C 1134	CKSQYX106K10	C 1604	CKSRyx105K25
A	C 1148	CKSSYB104K10	C 1605	CKSRyx105K25
	C 1191	CKSSYB104K10	C 1606	CKSRyx105K25
	C 1192	CKSSYB104K10	C 1607	CKSRyx105K25
	C 1193	CKSSYB103K16	C 1608	CKSRyx105K25
	C 1302	CKSSYB104K10	C 1609	CKSRyx105K25
	C 1321	CKSSYB104K10	C 1610	CKSRyx105K25
	C 1342	CKSSYB104K10	C 1612	CKSRyx105K25
	C 1352	CKSRyx225K10	C 1613	CKSRyx105K25
	C 1353	CKSQYX106K10	C 1721	CKSSYB104K10
	C 1401	CKSRyx106M6R3	C 1722	CKSQYX475K10
	C 1402	CKSRyx106M6R3	C 1901	CCSSCH100D50
B	C 1403	CKSRyx106M6R3	C 1902	CCSSCH120J50
	C 1404	CKSRyx106M6R3	C 1903	CKSSYB104K10
	C 1405	CKSSYB104K10	C 1904	CKSRyx106M6R3
	C 1406	CKSSYB104K10	C 1905	CKSRyx106M6R3
	C 1407	CKSSYB104K10	C 1906	CKSSYB104K10
	C 1408	CKSSYB104K10	C 1907	CKSSYB104K10
	C 1409	CKSSYB104K10	C 1910	CKSQYX106K10
	C 1410	CKSSYB104K10	C 1912	CKSQYX106K10
	C 1411	CKSSYB104K10	C 1913	CKSSYX105K6R3
	C 1412	CKSSYB104K10	C 1914	CKSQYX476M6R3
	C 1413	CKSSYB104K10	C 1915	CKSQYX476M6R3
C	C 1414	CKSSYB104K10	C 1916	CKSSYX105K10
	C 1415	CKSSYB104K10	C 2201	CKSQYX475K10
	C 1416	CKSSYB104K10	C 2202	CKSQYX106K10
	C 1417	CKSSYB104K10	C 2203	CEVW101M16
	C 1418	CKSSYB104K10	C 2303	CKSSYB102K50
	C 1419	CKSSYB104K10	C 2304	CKSSYB471K50
	C 1420	CKSSYB104K10	C 2305	CKSRyx225K10
	C 1421	CKSSYB104K10	C 2306	CKSSYB102K50
	C 1422	CKSSYB104K10	C 2307	CKSSYB102K50
	C 1423	CKSSYB104K10	C 2308	CCSSCH101J50
D	C 1424	CKSSYB104K10	C 2351	CKSSYB472K50
	C 1425	CKSSYB104K10	C 2352	CKSRyx105K16
	C 1426	CKSSYB104K10	C 2353	CKSRyx104K50
	C 1427	CKSSYB104K10	C 2354	CKSSYB103K25
	C 1428	CKSSYB104K10	C 2355	CKSRyx225K10
	C 1431	CKSSYB104K10	C 2357	CKSSYB102K50
	C 1501	CKSSYX105K10	C 2358	CCSSCH101J50
	C 1502	CKSSYX105K10	C 2359	CKSSYB102K50
	C 1503	CKSSYX105K10	C 2360	CKSSYB102K50
	C 1504	CKSSYX105K10	C 2361	CKSSYB102K50
	C 1507	CKSSYB104K10	C 2401	CKSSYB102K50
E	C 1508	CKSSYB104K10	C 2402	CKSSYB102K50
	C 1510	CKSSYB104K10	C 2403	CKSSYB102K50
	C 1512	CKSSYB104K10	C 2404	CKSSYB102K50
	C 1516	CKSSYB104K10	C 2405	CKSSYB102K50
	C 1517	CKSSYB104K10	C 2406	CKSSYB102K50
	C 1519	CKSSYB104K10	C 2407	CKSQYX475K10
	C 1521	CKSSYB104K10	C 2408	CKSQYX475K10
	C 1523	CKSSYB104K10	C 2409	CKSQYX475K10
	C 1524	CKSQYX106K10	C 2410	CKSQYX475K10
	C 1525	CKSSYB104K10	C 2411	CKSQYX475K10
F	C 1529	CKSQYX106K10	C 2412	CKSQYX475K10
	C 1530	CKSQYX106K10	C 2414	CKSRyx225K16
	C 1532	CCSSCH181J50	C 2415	CKSSYB102K50
	C 1601	CKSRyx105K25	C 2416	CKSSYB102K50

5		6		7		8	
<u>Circuit Symbol and No.</u>		<u>Part No.</u>		<u>Circuit Symbol and No.</u>		<u>Part No.</u>	
C	2451		CKSQYX106K10	C	8412		CCSSCH331J50
C	2452		CKSSYB104K10	C	8415		CKSSYB104K16
C	2501		CKSSYB104K10	C	8416		CKSRYX106M6R3
C	2502		CKSSYB104K10	C	8418		CCSSCH102J50
C	2504		CKSSYX105K10	C	8419		CCSSCH471J50
							A
C	4011		CKSQYB334K50	C	8423		CKSSYB152K50
C	4014		CEVW220M16	C	8427		CCSSCH100D50
C	4021		CKSSYB102K50	C	9002		CKSRYX105K16
C	4022		CKSSYB102K50	C	9003		CKSRYX105K16
C	4023		CKSSYB102K50	C	9004		CKSRYX105K16
C	4024		CKSSYB102K50	C	9005		CKSRYX105K16
C	4025		CCSSCH180J50	C	9006		CKSSYX105K10
C	4026		CCSSCH180J50	C	9007		CKSSYX105K10
C	4027		CKSSYB102K50	C	9010		CKSRYX105K16
C	4028		CKSSYB104K10	C	9011		CKSRYX105K16
							B
C	4029		CKSQYX106K10	C	9015		CKSSYX105K10
C	4030		CKSSYB104K10	C	9016		CKSRYX105K16
C	4033		CKSSYX105K10	C	9017		CKSRYX105K16
C	4034		CKSSYX105K10	C	9018		CKSRYX105K16
C	4035		CKSSYX105K10	C	9019		CKSRYX105K16
C	4036		CKSSYX105K10	C	9020		CKSSYB104K16
C	4037		CKSSYX105K10	C	9021	100 uF/16 V	CCH1962
C	4038		CKSSYX105K10	C	9022		CKSSYB104K16
C	4039		CKSSYX105K10	C	9023		CEVW470M16
C	4040		CKSSYX105K10	C	9024		CEVW470M16
							C
C	4081		CKSSYB102K50	C	9025		CKSSYB104K10
C	4082		CKSSYB102K50	C	9026	10 uF	CCG1332
C	4101		CKSSYB102K50	C	9027		CKSSYB104K10
C	4102		CKSSYB102K50	C	9029		CEVW470M16
C	4121		CKSSYB221K50	C	9032		CKSSYB104K16
C	4122		CKSSYB102K50	C	9033		CKSSYB104K16
C	4135		CKSSYB104K10	C	9034		CKSSYB472K50
C	4136		CKSSYB104K10	C	9035		CKSSYB103K16
C	4137		CKSRYX104K50	C	9036		CKSSYB103K16
C	4172		CKSSYB104K10	C	9039		CCSSCH151J50
C	4174		CKSSYB104K10	C	9040		CCSSCH151J50
C	4202		CKSRYX106M6R3	C	9043		CKSRYB102K50
C	4203		CKSSYB104K10	C	9044		CKSRYB102K50
C	4204		CKSSYX105K10	C	9201	0.68 uF	CCE1064
C	4205		CKSSYB104K10	C	9202		CKSRYB684K10
C	4206		CCSSCH101J50	C	9203		CKSRYB684K10
C	4207		CKSRYB224K16	C	9204	0.68 uF	CCE1064
C	4208		CKSSYX105K10	C	9206	10 uF/25 V	CCH2108
C	4209		CCSSCH6R0D50	C	9207	0.47 uF	CCG1328
C	4210		CCSSCH220J50	C	9208	2.2 uF	CCG1322
C	4211		CKSSYB104K10	C	9209	4700 uF/16 V	CCH2085
C	4212		CKSQYX226M6R3	C	9210	0.1 uF/50 V	CCG1425
C	4214		CCSSCH6R0D50	C	9212		CKSRYX104K50
C	4215		CKSSYB102K50	C	9213		CKSSYB102K50
C	8401		CKSSYB104K16	C	9214		CKSSYB102K50
C	8402		CKSSYB104K16	C	9215		CKSSYB102K50
C	8403		CKSQYX106K10	C	9216		CKSSYB102K50
C	8404		CKSQYX106K10	C	9217		CKSSYB102K50
C	8405		CKSSYB104K16	C	9218		CKSSYB102K50
C	8406		CKSRYX106M6R3	C	9219		CKSSYB102K50
C	8407		CKSSYB224K6R3	C	9220		CKSSYB102K50
C	8408		CKSSYB102K50	C	9223		CKSRYX105K16
C	8409		CKSSYB104K16	C	9224		CKSRYX105K16
C	8410		CKSRYX106M6R3	C	9225		CKSRYX105K16
C	8411		CCSSCH220J50	C	9226		CKSRYX105K16
							F

1

**Circuit Symbol and No.**

2

**Part No.**

3

**Circuit Symbol and No.**

4

**Part No.**

C 9228 0.1 uF  
C 9229

CCG1321  
CCSRCH101J50

R 5109  
R 5110  
R 5111  
R 5112  
R 5113  
R 5114

RS1/16SS563J  
RS1/16SS104J  
RS1/16SS101J  
RS1/16SS102J  
RS1/16SS2702D  
RS1/16SS1801D

A

**B****Unit Number : QXX3319****Unit Name : Service Unit (Monitor)****MISCELLANEOUS**

IC 5001 Interface IC  
IC 5101 Display IC  
IC 5201 DC/DC CONV IC  
Q 5201 Resistor Built-IN TR  
Q 5202 Transistor

AK4187VN  
OZ527ILN  
R1294L103A  
LTC024EEB  
2SAR502UB

R 5115  
R 5117  
R 5201  
R 5202  
R 5203

RS1/16SS1003D  
RS1/16SS6801D  
RS1/16SS1002D  
RS1/16SS1002D  
RS1/16SS8201D

B

Q 5301 Bipolar TR  
Q 5302 Bipolar TR  
Q 5401 Bipolar TR  
Q 5402 Bipolar TR  
Q 5403 Bipolar TR

LSAR523UB  
LSCR523UB  
HN1C01FUS1  
LSCR523UB  
HN1C01FUS1

R 5206  
R 5207  
R 5208  
R 5209  
R 5210

RS1/16SS9102D  
RS1/16SS1802D  
RS1/16SS203J  
RS1/16SS104J  
RS1/16SS103J

Q 5404 Bipolar TR  
Q 5405 Bipolar TR  
Q 5406 Bipolar TR  
Q 5407 Bipolar TR  
Q 5408 Bipolar TR

HN1C01FUS1  
HN1C01FUS1  
HN1C01FUS1  
HN1C01FUS1  
HN1C01FUS1

R 5211  
R 5212  
R 5213  
R 5214  
R 5216

RS1/16SS332J  
RS1/16SS1003D  
RS1/16SS9101D  
RS1/8SQ2R2J  
RS1/16SS8202D

C

D 5011 Zener Diode  
D 5012 Zener Diode  
D 5013 Zener Diode  
D 5014 Zener Diode  
D 5101 Schottky Diode

RSB6R8SM  
RSB6R8SM  
RSB6R8SM  
RSB6R8SM  
RB162MM-40TF

R 5217  
R 5218  
R 5219  
R 5220  
R 5221

RS1/16SS6202D  
RS1/16SS1502D  
RS1/16SS472J  
RS1/16SS103J  
RS1/16SS332J

D 5201 Schottky Diode  
D 5202 Diode  
D 5204 Diode  
D 5401 Zener Diode  
D 5402 Zener Diode

RB551VM-30  
RB548W  
RB548W  
RSB6R8SM  
RSB6R8SM

R 5222  
R 5225  
R 5326  
R 5327  
R 5329

RS1/16SS0R0J  
RS1/16SS272J  
RS1/8SQ0R0J  
RS1/16SS153J  
RS1/16SS105J

D

D 5403 Zener Diode  
L 5101 Inductor  
L 5201 Choke Coil 22 uH  
L 5301 Inductor  
TH 5001 Thermistor

RSB6R8SM  
BTH1112  
CTH1426  
CTF1765  
CCX1084

R 5331  
R 5332  
R 5333  
R 5334  
R 5335

RS1/16SS153J  
RS1/16SS472J  
RS1/16SS101J  
RS1/16SS333J  
RS1/16SS274J

CN 5001 Connector(2P)  
CN 5002 FFC/FPC Connector  
CN 5003 FFC/FPC Connector  
CN 5301 FFC/FPC Connector  
CN 5401 FFC/FPC Connector

DKN1361  
CKS6645  
CKS6625  
CKS6729  
CKS6639

R 5339  
R 5401  
R 5402  
R 5404  
R 5405

RS1/16SS472J  
RS1/16SS121J  
RS1/16SS560J  
RS1/16SS680J  
RS1/16SS680J

**RESISTORS**

R 5001  
R 5002  
R 5003  
R 5004  
R 5005

RS1/16SS201J  
RS1/16SS561J  
RS1/16SS161J  
RS1/16SS510J  
RS1/16SS101J

R 5413  
R 5414  
R 5416  
R 5417  
R 5419

RS1/16SS1200D  
RS1/16SS56R0D  
RS1/16SS68R0D  
RS1/16SS68R0D  
RS1/16SS68R0D

R 5006  
R 5007  
R 5013  
R 5101  
R 5102

RS1/16SS101J  
RS1/16SS101J  
RS1/16SS183J  
RS1/16SS104J  
RS1/8SQ2R2J

R 5420  
R 5422  
R 5423  
R 5424  
R 5425

RS1/16SS68R0D  
RS1/16SS392J  
RS1/16SS332J  
RS1/16SS332J  
RS1/16SS392J

F

R 5103  
R 5105  
R 5106  
R 5107

RS1/4S0R0J  
RS1/16SS104J  
RS1/16SS104J  
RS1/16SS102J

R 5426  
R 5427  
R 5428  
R 5429

RS1/16SS1200D  
RS1/16SS56R0D  
RS1/16SS332J  
RS1/16SS68R0D

1

2

3

4

5  
**Circuit Symbol and No.**

6  
**Part No.**

7  
**Circuit Symbol and No.**

8  
**Part No.**

R	5430	RS1/16SS68R0D
R	5431	RS1/16SS332J
R	5432	RS1/16SS68R0D
R	5433	RS1/16SS68R0D
R	5434	RS1/16SS1200D
R	5435	RS1/16SS56R0D
R	5437	RS1/16SS68R0D
R	5438	RS1/16SS68R0D
R	5440	RS1/16SS68R0D
R	5441	RS1/16SS68R0D
R	5443	RS1/16SS392J
R	5444	RS1/16SS332J
R	5445	RS1/16SS332J
R	5446	RS1/16SS392J
R	5447	RS1/16SS1200D
R	5448	RS1/16SS56R0D
R	5449	RS1/16SS332J
R	5450	RS1/16SS68R0D
R	5451	RS1/16SS68R0D
R	5452	RS1/16SS332J
R	5453	RS1/16SS68R0D
R	5454	RS1/16SS68R0D

C	5220	CCSSCH101J50
C	5221	CKSSYB561K50
C	5222	CKSQYX475K25
C	5224	CKSSYB102K50
C	5303	CKSSYB102K50
C	5309	CKSSYB104K16
C	5311	CKSYX106K35
C	5312	CKSSYB102K50
C	5314	CKSSYB104K10
C	5315	CKSQYX106K10
C	5317	CKSSYB102K50
C	5318	CKSRYX104K50
C	5319	CKSQYB334K50
C	5321	CKSSYB102K50
C	5322	CKSSYB104K16
C	5323	CKSRYX475K10
C	5324	CKSRYX225K10
C	5326	CKSSYB104K10
C	5327	CKSYX106K35
C	5328	CKSSYX104K50
C	5330	CKSSYB102K50
C	5331	CKSSYB102K50
C	5401	CKSRYB103K50
C	5402	CKSQYX475K10

**CAPACITORS**

C	5001	CKSSYB104K10
C	5002	CKSSYB103K16
C	5003	CKSSYB103K16
C	5004	CKSSYB104K10
C	5005	CKSSYB104K10
C	5006	CKSSYB103K16
C	5007	CKSSYB103K16
C	5008	CKSRYX106M6R3
C	5009	CKSSYB104K10
C	5010	CKSSYB104K10
C	5013	CKSSYX105K10
C	5014	CKSSYX105K10
C	5101	CKSSYB332K50
C	5103	CKSQYX106K16
C	5106	CKSSYX105K16
C	5107	CKSSYX105K16
C	5108	CKSSYB104K16
C	5109	CKSSYX105K10
C	5110	CCSSCH101J50
C	5112	CKSYX106K35
C	5114	CKSRYB224K16
C	5201	CKSSYB224K6R3
C	5203	CKSSYX105K10
C	5204	CKSSYB224K6R3
C	5205	CKSRYB224K16
C	5206	CKSSYB472K50
C	5207	CKSSYB102K50
C	5208	CKSSYX105K16
C	5209	CKSSYX105K10
C	5210	CKSRYX105K25
C	5213	CKSRYX104K50
C	5214	CKSRYX104K50
C	5217	CKSQYX475K25
C	5218	CKSSYB682K25
C	5219	CKSRYX475K6R3

**D**

**Unit Number : CWF2406**  
**Unit Name : Keyboard Unit**

**MISCELLANEOUS**

D	6001	LED	NSSM124-6717
D	6002	LED	NSSM124-6717
D	6003	LED	NSSM124-6717
D	6004	LED	NSSM124-6717
D	6006	LED	NSSM124-6717
S	6001	Tactile Switch	CSG1204
S	6002	Tactile Switch	CSG1203
S	6003	Tactile Switch	CSG1203
S	6004	Tactile Switch	CSG1203
S	6006	Tactile Switch	CSG1203
S	6007	Tactile Switch	CSG1203
S	6008	Tactile Switch	CSG1203
S	6009	Tactile Switch	CSG1203
U	6001	Remote Receiver Unit	RS-470
CN	6001	FFC/FPC Connector	CKS6756

**RESISTORS**

R	6001	XRS1/16SS620J
R	6002	XRS1/16SS390J
R	6003	XRS1/16SS150J
R	6004	XRS1/16SS620J
R	6005	XRS1/16SS390J
R	6006	XRS1/16SS150J
R	6007	XRS1/16SS620J
R	6008	XRS1/16SS390J
R	6009	XRS1/16SS150J
R	6010	XRS1/16SS620J
R	6011	XRS1/16SS390J

1  
**Circuit Symbol and No.**

2  
**Part No.**

3

4

R	6012	XRS1/16SS150J
R	6013	XRS1/16SS620J
R	6014	XRS1/16SS390J
R	6015	XRS1/16SS150J
R	6016	XRS1/16SS470J
R	6017	XRS1/16SS392J
R	6018	XRS1/16SS472J
R	6019	XRS1/16SS123J
R	6020	XRS1/16SS182J
R	6021	XRS1/16SS222J
R	6022	XRS1/16SS472J

**CAPACITORS**

C	6001	CKSSYB104K10
C	6006	CKSSYB104K16

**E**

**Unit Number : QXX3323**  
**Unit Name : Service Unit (I-Data)**

**MISCELLANEOUS**

CN	3201	Connector	CKS6603
CN	3202	FFC/FPC Connector	CKS6634

**RESISTORS**

R	3202	RS1/16SS102J
---	------	--------------

D

E

F