

# KENWOOD

## PARTS LIST

### GPS NAVIGATION SYSTEM

DNX4210BT

DNX5060EX

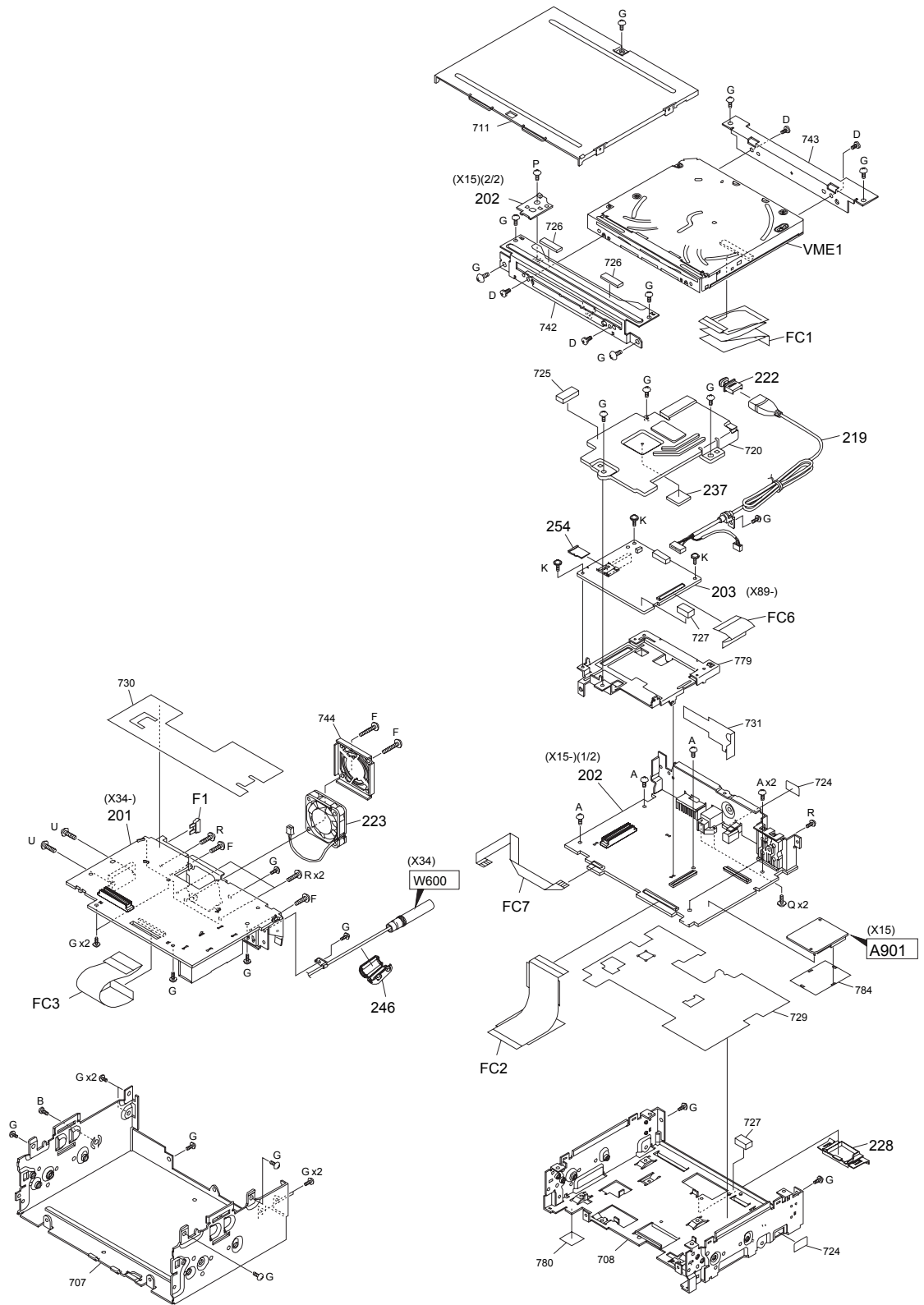
DNX5190

DNX6490BT



# EXPLODED VIEW (UNIT)

Block No.200



Parts with the exploded numbers larger than 700 are not supplied.

MODEL	MARK	MODEL	MARK	MODEL	MARK	MODEL	MARK
DNX4210BT	E2	DNX5060EX	K3	DNX5190	K2	DNX6490BT	R1

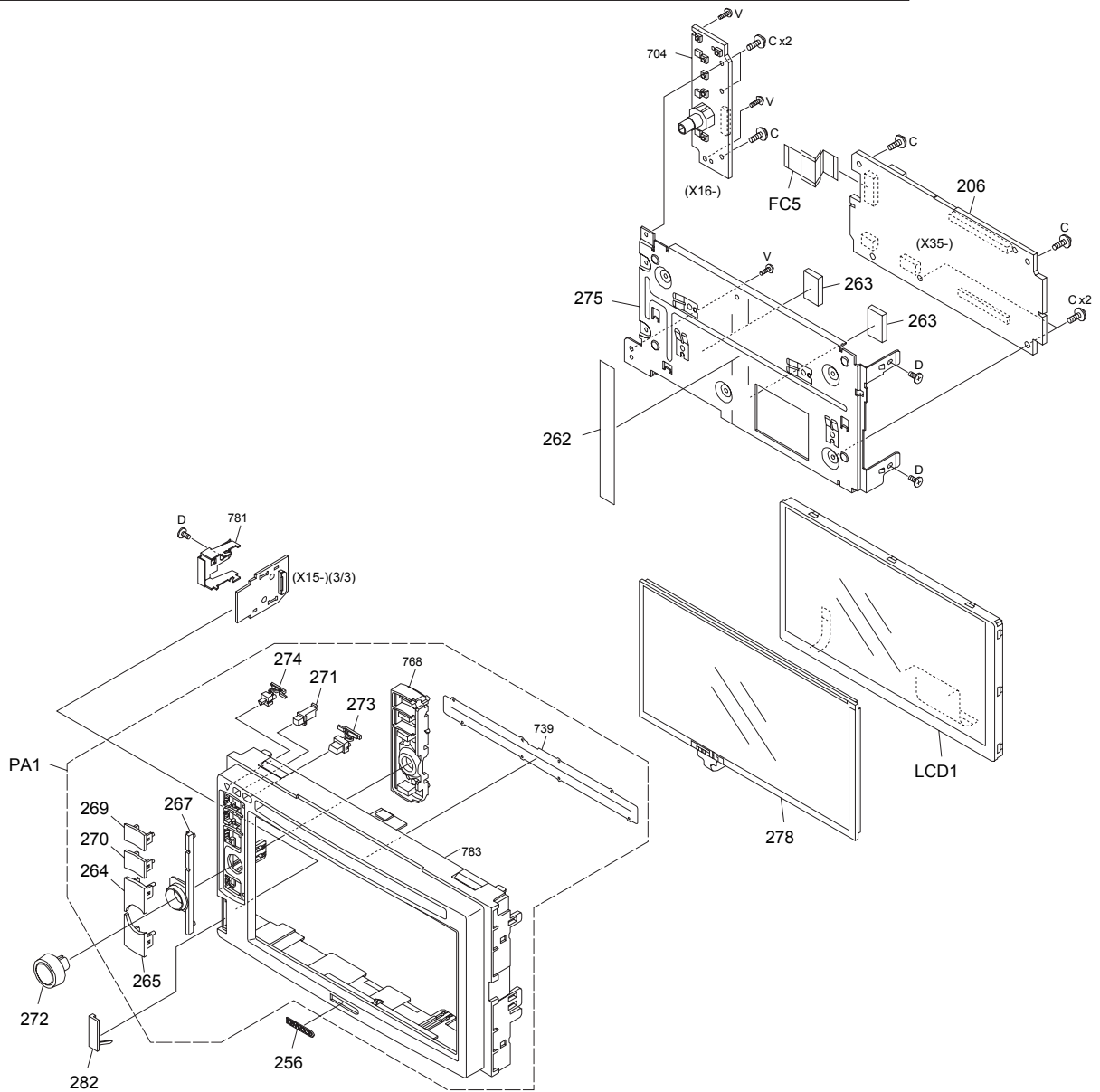
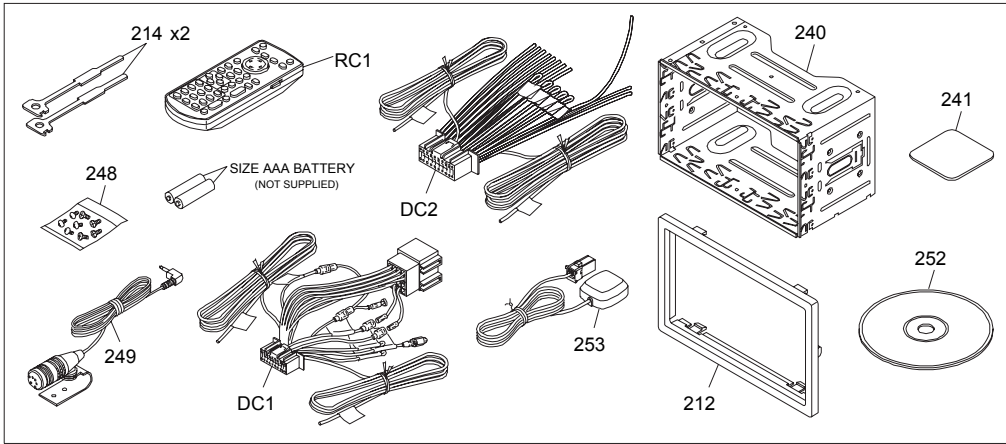
Safe	Symbol No.	Parts No.	Parts Name	Description	QTY	Local
------	------------	-----------	------------	-------------	-----	-------

EXPLODED VIEW (UNIT) <200>

△	F1	F52-0024-05	FUSE(MINI BLADE TYPE)	32V 15A	1	
	FC1	E39-1193-05	FLAT CABLE	50PIN X15 DVD	1	
	FC2	E39-1198-05	FLAT CABLE	70PIN X35 X15	1	
	FC3	E39-1257-05	FLAT CABLE	X15 X34 60P	1	
	FC6	E39-1256-05	FLAT CABLE	X15 X88 60P	1	
	FC7	E39-1197-05	FLAT CABLE	14PIN SD NO SHIELD	1	R1
	VME1	X92-6640-04	DVD MECHANISM ASSY (DVS-8714W)		1	
	A	GE40377-002A	SCREW		5	
	B	N09-6425-15	MACHINE SCREW	M3.0x5	1	
	D	N09-6851-05	MACHINE SCREW		4	
	F	N84-2614-48	PAN HEAD TAPTITE SCREW	2.6x14	4	
	G	N86-2606-48	BINDING HEAD TAPTITE SCREW	2.6x6	27	
	K	N09-6848-15	TAPTITE SCREW		3	
	P	N82-2608-48	BINDING HEAD TAPTITE SCREW	2.6x8	1	
	Q	N89-3006-48	BINDING HEAD TAPTITE SCREW	3x6	2	
	R	N83-3008-48	PAN HEAD TAPTITE SCREW		4	
	U	N86-2610-48	BINDING HEAD TAPTITE SCREW		2	
	201	X34-7242-72	ELECTRIC UNIT		1	E2
	201	X34-7240-10	ELECTRIC UNIT		1	K3,K2
	201	X34-7243-21	ELECTRIC UNIT		1	R1
	202	X15-1652-72	VIDEO CONTROL UNIT		1	E2
	202	X15-1650-11	VIDEO CONTROL UNIT		1	K3
	202	X15-1650-10	VIDEO CONTROL UNIT		1	K2
	202	X15-1623-21	VIDEO CONTROL UNIT		1	R1
	203	X89-3102-71	DAUGHTER UNIT		1	E2,K3,K2
	203	X89-3100-10	DAUGHTER UNIT		1	R1
	219	E30-8262-05	CORD WITH CONNECTOR	1PORT USB CABLE	1	
	222	F09-2929-04	CAP		1	
	223	F09-3070-05	FAN	40x40x10 5V	1	
	228	F19-1845-03	HOLE CAP		1	
	237	G16-1750-14	SHEET		1	
	246	L92-0638-05	FERRITE CORE		1	
	254	W02-5545-15	IC MEMORY CARD	12EU 8GB L	1	E2
	254	W02-5544-15	IC MEMORY CARD	12NA 4GB L	1	K3,K2
	254	W02-5543-15	IC MEMORY CARD	12BM 2GB ML	1	R1

# EXPLODED VIEW (DISPLAY ASSY)

Block No.200A



Parts with the exploded numbers larger than 700 are not supplied.

MODEL	MARK	MODEL	MARK	MODEL	MARK	MODEL	MARK
DNX4210BT	E2	DNX5060EX	K3	DNX5190	K2	DNX6490BT	R1

Safe	Symbol No.	Parts No.	Parts Name	Description	QTY	Local
------	------------	-----------	------------	-------------	-----	-------

EXPLODED VIEW (DISPLAY ASSY) <200A>

△	DC1	E30-6796-15	DC CORD		1	E2
△	DC2	E30-6881-25	DC CORD		1	K3,K2,R1
	FC5	E39-1200-05	FLAT CABLE	26PIN X35 SW	1	
	LCD1	B38-1223-15	LCD	6.1INCH	1	
	PA1	LV11752-092A	F. PANEL ASSY		1	E2
	PA1	LV11752-091A	F. PANEL ASSY		1	K3
	PA1	LV11752-090A	F. PANEL ASSY		1	K2
	PA1	LV11752-089A	F. PANEL ASSY		1	R1
	RC1	A70-2107-05	REMOTE CONTROLLER ASSY (RC-DV331)		1	R1
	C	N09-6848-15	TAPTITE SCREW		7	
	D	N09-6851-05	MACHINE SCREW		3	
	V	N09-6850-05	TAPTITE SCREW		3	
	206	X35-5140-11	VIDEO UNIT		1	
	212	B07-3165-02	ESCUTCHEON		1	
	214	D10-7012-04	LEVER		2	
	240	J22-0657-13	MOUNTING HARDWARE ASSY		1	
	241	J22-0964-04	MOUNTING HARDWARE		1	
	248	N99-1779-15	SCREW SET		1	K3,K2,R1
	249	W01-1768-15	MICROPHONE (BT)	SENSITIVITY 42DB	1	
	252	W01-2029-05	COMPACT DISC		1	
	253	W02-5304-05	ANTENNA MODULE (GPS)		1	
	256	B43-1518-04	BADGE		1	
	262	G16-1749-04	SHEET		1	
	263	G16-1771-04	SHEET		2	
	264	LV22869-008A	BUTTON(AUD)		1	E2,R1
	264	LV22869-009A	BUTTON(AUD)		1	K3,K2
	265	LV22870-006A	BUTTON(FNC)		1	
	267	LV22872-001A	ESCUTCHEON		1	
	269	LV39102-004A	BUTTON(MENU)		1	
	270	LV39103-006A	BUTTON(AV)		1	
	271	LV39104-002A	REMO LENS		1	
	272	LV39106-002A	VOL KNOB RUBBER		1	
	273	LV39226-001A	BUTTON(EJECT)		1	
	274	LV39227-001A	BUTTON(RESET)		1	
	275	J19-7323-13	HOLDER ASSY		1	
	278	S79-0890-05	SWITCH ASSY	6.1INCH ANR 4.0MM	1	
	282	B09-1005-03	CAP		1	R1
	-	B59-2101-00	SUB-INSTRUCTION MANUAL	ENG	1	E2
	-	B59-2102-00	SUB-INSTRUCTION MANUAL	FRE GER DUT	1	E2
	-	B59-2103-00	SUB-INSTRUCTION MANUAL	ITA SPA POR	1	E2
	-	B59-2098-00	SUB-INSTRUCTION MANUAL	ENG SPA	1	K3,K2,R1
	-	B59-2099-00	SUB-INSTRUCTION MANUAL	FRE	1	K3,K2
	-	B59-2100-00	SUB-INSTRUCTION MANUAL	POR	1	R1
	-	H54-5137-03	ITEM CARTON CASE		1	E2
	-	H54-5136-03	ITEM CARTON CASE		1	K3
	-	H54-5135-03	ITEM CARTON CASE		1	K2
	-	H54-5129-03	ITEM CARTON CASE		1	R1



MODEL	MARK	MODEL	MARK	MODEL	MARK	MODEL	MARK
DNX4210BT	E2	DNX5060EX	K3	DNX5190	K2	DNX6490BT	R1

Safe	Symbol No.	Parts No.	Parts Name	Description	QTY	Local
------	------------	-----------	------------	-------------	-----	-------

EXPLODED VIEW (DVD MECHANISM) <150>

VM1	X94-2070-00	MOTOR ASSY (LOADING)	A		1	
A	N09-6815-05	MACHINE SCREW	M1.7x2.0 #0TYPE3		6	
B	N09-6408-15	TAPTITE SCREW	1.7x4.0 P-TITE 3CR		14	
C	N09-6426-15	LOAD ARM SCREW			2	
D	N09-6104-05	MACHINE SCREW	2x10 S-TITE		1	
1	A10-5523-11+	MAIN CHASSIS	MAIN CHASSIS		1	
2	A10-5543-01	FRONT PANEL	FRONT PANEL		1	
3	A10-5535-01	TOP CHASSIS	TOP CHASSIS		1	
4	A10-5534-12	BOTTOM CHASSIS	BOTTOM CHASSIS		1	
7	D10-7080-02	LOAD ARM L			1	
8	D10-7081-02	LOAD ARM R			1	
9	D10-7082-02	LINK LEVER L			1	
10	D10-7083-02	LINK LEVER R			1	
12	D10-7084-02+	DRIVE CAM SLIDER			1	
13	D10-7100-02	EJECT ARM			1	
14	D10-7086-03+	SWING ARM			1	
15	D10-7087-02	TRAVERSE UP DOWN ARM			1	
25	D10-7092-04+	SHUTTER SLIDER ASSY			1	
27	D10-7091-04	LIMIT LEVER			1	
28	D12-0640-02+	DRIVE CAM			1	
31	D13-3029-04	DRIVE HELICAL GEAR			1	
32	D13-3030-04	DRIVE GEAR(1)			1	
33	D13-3031-04	DRIVE GEAR(2)			1	
34	D13-3032-04	DRIVE GEAR(3)			1	
35	D13-3033-04	DRIVE GEAR(4C)			1	
36	D13-3034-04	DRIVE GEAR(5)			1	
40	D13-3038-04	HELICAL GEAR			1	
41	D13-3039-04	ROLLER GEAR (IDLE A)			1	
42	D13-3040-04	ROLLER GEAR (IDLE B)			1	
43	D14-1034-04	LOAD ARM L ROLLER			4	
53	D21-2487-24+	LOAD ARM SHAFT			2	
54	D39-0275-05	DAMPER 50			2	
55	D39-0276-05	DAMPER 40			2	
60	F09-3037-03	BOTTOM SHEET IN V			1	
65	G01-4734-04	DRIVE CAM SPRING			1	
66	G01-4735-14	LINK SPRING			2	
67	G01-3300-14+	EJECT ARM SPRING			1	
68	G01-4737-14	SWING ARM SPRING			1	
69	G01-4602-14+	DETECT SLIDER SPRING			2	
70	G01-4740-04	FLIP PRESSURE L			2	
74	G01-4609-24+	SHUTTER ARM SPRING			1	
75	G02-1904-03+	SPRING COVER			1	
79	J22-0898-01	MAIN CHASSIS BKT			1	
80	J22-0891-11+	GEAR BLK			1	
93	T99-0471-05	P.C.MAGNET	2x2x1		1	
96	X94-2080-00	ROLLER ASSY	A		1	
98	X94-2120-00	TRAVERSE ASSY (PICKUP,SPINDLE)	A		1	

VIDEO CONTROL UNIT (X15-16xx-xx) <X15>

IC31	-	MOS-IC	TPS54240DGQR Replacement		1	
IC32	TC7SZ125FU-F	MOS-IC	can not LEAD FREE		1	
IC51	-	MOS-IC	BD9876EFJ Replacement can not		1	
IC81	AN33012UA-VB	ANALOGUE IC			1	
IC131	XC6220B18BP-G	ANALOGUE IC	1.85V 1A		1	
IC142	XC6220B18BP-G	ANALOGUE IC	1.85V 1A		1	
IC143	XC6503D331P-G	MOS-IC	3.3V 0.5A		1	
IC171	BA00DD0WHP	ANALOGUE IC	1.5-16V 2A 2.3W		1	
IC181	XC6503D501P-G	MOS-IC	5.0V 0.5A		1	
IC201	W10-0751-08	MICROCONTROLLER IC	F3651KDFC		1	
IC202	XC6213B332N-G	ANALOGUE IC	3.3V		1	
IC203	W05-1549-00	ROM IC	M24C08-RDW6TP		1	E2
IC203	W05-1548-00	ROM IC	M24C08-RDW6TP		1	K3,K2
IC203	W05-1551-00	ROM IC	M24C08-RDW6TP		1	R1
IC205	XC6120N302N-G	MOS-IC	3V		1	
IC206	TC7SH08FU-F	MOS-IC			1	
IC207	BH7673G	ANALOGUE IC			1	
IC208	BH7673G	ANALOGUE IC			1	
IC400	XC6213B332N-G	ANALOGUE IC	3.3V		1	E2,K3,K2
IC401	WM8974GEFL/RV	MOS-IC			1	E2,K3,K2
IC402	AK4388AET2P	MOS-IC			1	
IC403	AK4388AET2P	MOS-IC			1	
IC404	XC6209B502P1	ANALOGUE IC	5.0V LF		1	
IC500	TC7SH17FU-F	MOS-IC			1	K3,K2
IC521	BD00C0AWFP	ANALOGUE IC	3.0V-15V 1A		1	
IC523	XC6120N412N-G	MOS-IC	4.1V		1	
IC580	XC6223B331P-G	ANALOGUE IC	3.3V		1	R1
IC700	AN15886A-VF	MOS-IC	VIDEO SEL		1	
IC900	BA4560RF	ANALOGUE IC			1	R1
IC903	XC6223B181P-G	ANALOGUE IC	1.8V		1	R1
IC904	XC6223B331P-G	ANALOGUE IC	3.3V		1	
Q1	LSAR523EBFS8	TRANSISTOR			1	
Q2	LTC044EEBFS8	TRANSISTOR	R2/R1:47K/47K NPN		1	
Q3	LSAR523EBFS8	TRANSISTOR			1	
Q4	TPC8110-F	FET			1	
Q5	2SC4617	TRANSISTOR			1	
Q6	2SA1774	TRANSISTOR			1	
Q7	LTA014TUBFS8	TRANSISTOR	R2/R1:-10K PNP		1	

MODEL	MARK	MODEL	MARK	MODEL	MARK	MODEL	MARK
DNX4210BT	E2	DNX5060EX	K3	DNX5190	K2	DNX6490BT	R1

Safe	Symbol No.	Parts No.	Parts Name	Description	QTY	Local
	Q8	2SC4617	TRANSISTOR		1	
	Q9	2SA1774	TRANSISTOR		1	
	Q10	LSCR523EBFS8	TRANSISTOR		1	
	Q11	LTC014YUBFS8	TRANSISTOR	R2/R1:47K/10K NPN	1	
	Q12	LTC044EUBFS8	TRANSISTOR	R2/R1:47K/47K NPN	1	
	Q13	LTA014EUBFS8	TRANSISTOR	R2/R1:10K/10K PNP	1	
	Q14	LTC044EUBFS8	TRANSISTOR	R2/R1:47K/47K NPN	1	
	Q15	LTC044EUBFS8	TRANSISTOR	R2/R1:47K/47K NPN	1	
	Q21	LSAR523EBFS8	TRANSISTOR		1	
	Q22	LTC044EEBFS8	TRANSISTOR	R2/R1:47K/47K NPN	1	
	Q23	LSAR523EBFS8	TRANSISTOR		1	
	Q24	RT1E040RP	FET	PCH MOS	1	
	Q31	LTC043TUBFS8	TRANSISTOR	R2/R1:-/4.7K NPN	1	
	Q32	LTC044EEBFS8	TRANSISTOR	R2/R1:47K/47K NPN	1	
	Q33	LSCR523EBFS8	TRANSISTOR		1	
	Q51	LSAR523EBFS8	TRANSISTOR		1	
	Q52	LSAR523EBFS8	TRANSISTOR		1	
	Q81	MTM981400BF	FET		1	
	Q91	RT1E040RP	FET	PCH MOS	1	
	Q131	2SB1689	TRANSISTOR		1	
	Q132	LSCR523EBFS8	TRANSISTOR		1	
	Q133	LSCR523EBFS8	TRANSISTOR		1	
	Q151	CPH3105-E	TRANSISTOR		1	
	Q152	LTC014YEBFS8	TRANSISTOR	R2/R1:47K/10K NPN	1	
	Q153	2SB1689	TRANSISTOR		1	
	Q154	LTC044EEBFS8	TRANSISTOR	R2/R1:47K/47K NPN	1	
	Q161	LTA014YEBFS8	TRANSISTOR	R2/R1:47K/10K PNP	1	
	Q162	LTC044EEBFS8	TRANSISTOR	R2/R1:47K/47K NPN	1	
	Q163	LSAR523EBFS8	TRANSISTOR		1	
	Q164	RTQ025P02	FET		1	
	Q165	2SB1689	TRANSISTOR		1	
	Q166	LTC044EEBFS8	TRANSISTOR	R2/R1:47K/47K NPN	1	
	Q201	LTA014YEBFS8	TRANSISTOR	R2/R1:47K/10K PNP	1	
	Q202	SSM3K15AMFV-F	FET		1	
	Q203	SSM3K15AMFV-F	FET		1	
	Q204	LTA014YEBFS8	TRANSISTOR	R2/R1:47K/10K PNP	1	
	Q205	LSAR523EBFS8	TRANSISTOR		1	
	Q206	LTC044EEBFS8	TRANSISTOR	R2/R1:47K/47K NPN	1	
	Q207	LSAR523EBFS8	TRANSISTOR		1	
	Q208	LTA014YEBFS8	TRANSISTOR	R2/R1:47K/10K PNP	1	
	Q209	LTC044EEBFS8	TRANSISTOR	R2/R1:47K/47K NPN	1	
	Q210	2SB1689	TRANSISTOR		1	
	Q211	LTC044EEBFS8	TRANSISTOR	R2/R1:47K/47K NPN	1	
	Q540	LSCR523UBFS8	TRANSISTOR		1	
	Q750	LTC043TUBFS8	TRANSISTOR	R2/R1:-/4.7K NPN	1	
	Q751	LTC043TUBFS8	TRANSISTOR	R2/R1:-/4.7K NPN	1	
	Q752	LTA014YEBFS8	TRANSISTOR	R2/R1:47K/10K PNP	1	
	Q900	LTC044EEBFS8	TRANSISTOR	R2/R1:47K/47K NPN	1	R1
	Q901	LTA014YEBFS8	TRANSISTOR	R2/R1:47K/10K PNP	1	R1
	D31	RB080L-30	DIODE		1	
	D51	RB080L-30	DIODE		1	
	D52	RKZ5.6KG(B2)	Z DIODE		1	
	D71	RB080L-30	DIODE		1	
	D91	RB080L-30	DIODE		1	
	D132	RB080L-30	DIODE		1	
	D141	GS1J-LTP-X	DIODE	GS1J-LTP-X	1	
	D142	GS1J-LTP-X	DIODE	GS1J-LTP-X	1	
	D171	RKS801KF	DIODE		1	
	D181	GS1J-LTP-X	DIODE	GS1J-LTP-X	1	
	D202	MC2850-T111	DIODE		1	
	D204	MC2850-T111	DIODE		1	
	D400	VR1005DDA080	VARISTOR	5.5V 8V 480P	1	
	D401	VR1005DDA080	VARISTOR	5.5V 8V 480P	1	
	D521	RKS801KF	DIODE		1	
	D660	RKZ6.2KG(B2)	Z DIODE		1	
	D661	RKZ6.2KG(B2)	Z DIODE		1	
	D664	VR1005CCA270	VARISTOR	15V 27V 15P	1	
	D666	VR1005DDA080	VARISTOR	5.5V 8V 480P	1	
	D667	RKZ6.2KG(B2)	Z DIODE		1	
	D668	RKZ6.2KG(B2)	Z DIODE		1	
	D669	VR1005CCA270	VARISTOR	15V 27V 15P	1	
	D670	VR1005CCA270	VARISTOR	15V 27V 15P	1	
	D671	VR1005AAA180	VARISTOR	10V 18V 140P	1	
	D672	VR1005AAA180	VARISTOR	10V 18V 140P	1	
	D750	MC2846-T111	DIODE		1	
	D809	VR1005CCA270	VARISTOR	15V 27V 15P	1	
	D810	VR1005DDA080	VARISTOR	5.5V 8V 480P	1	
	D811	VR1005CCA270	VARISTOR	15V 27V 15P	1	
	D812	VR1005CCA270	VARISTOR	15V 27V 15P	1	
	D813	VR1005AAA270	VARISTOR	15V 27V 40P	1	
	D814	VR1005AAA270	VARISTOR	15V 27V 40P	1	
	D815	VR1005AAA270	VARISTOR	15V 27V 40P	1	
	D817	VR1005AAA270	VARISTOR	15V 27V 40P	1	
	C1	CK73GB1H104K	CHIP C	50V 0.10UF K	1	
	C2	CK73GB1H104K	CHIP C	50V 0.10UF K	1	
	C3	C90-6939-05	ELECTRO	2200UF 16WV	1	
	C5	CK73GB1H222K	CHIP C	50V 2200PF K	1	
	C7	CK73GB1H104K	CHIP C	50V 0.10UF K	1	
	C8	CE32BM1E101M	CHIP EL	100UF 25WV	1	
	C9	CK73HB1E103K	CHIP C	25V 0.010UF K	1	
	C10	CK73GB1H104K	CHIP C	50V 0.10UF K	1	
	C21	CK73GB1H104K	CHIP C	50V 0.10UF K	1	

MODEL	MARK	MODEL	MARK	MODEL	MARK	MODEL	MARK
DNX4210BT	E2	DNX5060EX	K3	DNX5190	K2	DNX6490BT	R1

Safe	Symbol No.	Parts No.	Parts Name	Description	QTY	Local
	C23	CK73HB1E103K	CHIP C	25V 0.010UF K	1	
	C24	CK73GB1H104K	CHIP C	50V 0.10UF K	1	
	C31	CK73GB1H104K	CHIP C	50V 0.10UF K	1	
	C32	CK73HB1E103K	CHIP C	25V 0.010UF K	1	
	C33	CK73EB1E106K	CHIP C	25V 10UF K	1	
	C34	CK73EB1E106K	CHIP C	25V 10UF K	1	
	C35	CK73GB1H104K	CHIP C	50V 0.10UF K	1	
	C36	CK73HB1E103K	CHIP C	25V 0.010UF K	1	
	C37	CK73HB1E103K	CHIP C	25V 0.010UF K	1	
	C39	CK73HB1H332K	CHIP C	50V 3300PF K	1	
	C41	CK73GB1H104K	CHIP C	50V 0.10UF K	1	
	C43	CK73FB0J226M	CHIP C	22UF M	1	
	C44	CK73HB1A104K	CHIP C	10V 0.10UF K	1	
	C45	CK73HB1E103K	CHIP C	25V 0.010UF K	1	
	C46	C92-2031-05	ELECTRO	220UF	1	
	C47	CK73HB1A104K	CHIP C	10V 0.10UF K	1	
	C51	CK73GB1H104K	CHIP C	50V 0.10UF K	1	
	C52	CK73HB1E103K	CHIP C	25V 0.010UF K	1	
	C53	CK73EB1E106K	CHIP C	25V 10UF K	1	
	C54	CK73EB1E106K	CHIP C	25V 10UF K	1	
	C55	CK73GB1H104K	CHIP C	50V 0.10UF K	1	
	C56	CK73HB1E103K	CHIP C	25V 0.010UF K	1	
	C58	CK73HB1H682K	CHIP C	50V 6800PF K	1	
	C60	CK73GB1H104K	CHIP C	50V 0.10UF K	1	
	C61	CK73GB1H332K	CHIP C	50V 3300PF K	1	
	C62	CK73FB0J226M	CHIP C	22UF M	1	
	C63	CK73HB1A104K	CHIP C	10V 0.10UF K	1	
	C64	CK73HB1E103K	CHIP C	25V 0.010UF K	1	
	C65	CE32AV0J221M	CHIP EL	220UF 6.3VV	1	
	C81	CK73GB1H104K	CHIP C	50V 0.10UF K	1	
	C82	CK73HB1E103K	CHIP C	25V 0.010UF K	1	
	C83	CK73EB1E106K	CHIP C	25V 10UF K	1	
	C84	CK73EB1E106K	CHIP C	25V 10UF K	1	
	C85	CK73GB1H104K	CHIP C	50V 0.10UF K	1	
	C86	CK73HB1E103K	CHIP C	25V 0.010UF K	1	
	C88	CK73GB1H332K	CHIP C	50V 3300PF K	1	
	C89	CK73FB1C106K	CHIP C	16V 10UF K	1	
	C90	CK73HB1A104K	CHIP C	10V 0.10UF K	1	
	C91	CK73HB1E103K	CHIP C	25V 0.010UF K	1	
	C92	CE32AV1A271M	CHIP EL	270UF 10VV	1	
	C93	CK73HB1H332K	CHIP C	50V 3300PF K	1	
	C94	CC73HCH1H181J	CHIP C	50V 180PF J	1	
	C95	CK73HB1H682K	CHIP C	50V 6800PF K	1	
	C96	CK73HB1C473K	CHIP C	16V 0.047UF K	1	
	C101	CK73GB1H104K	CHIP C	50V 0.10UF K	1	
	C102	CK73HB1E103K	CHIP C	25V 0.010UF K	1	
	C103	CK73EB1E106K	CHIP C	25V 10UF K	1	
	C104	CK73EB1E106K	CHIP C	25V 10UF K	1	
	C105	CK73GB1H104K	CHIP C	50V 0.10UF K	1	
	C106	CK73HB1E103K	CHIP C	25V 0.010UF K	1	
	C108	CK73GB1H332K	CHIP C	50V 3300PF K	1	
	C109	CK73FB0J226M	CHIP C	22UF M	1	
	C110	CK73HB1A104K	CHIP C	10V 0.10UF K	1	
	C111	CK73HB1E103K	CHIP C	25V 0.010UF K	1	
	C112	C92-2031-05	ELECTRO	220UF	1	
	C113	CK73HB1H332K	CHIP C	50V 3300PF K	1	
	C114	CC73HCH1H181J	CHIP C	50V 180PF J	1	
	C115	CK73HB1H682K	CHIP C	50V 6800PF K	1	
	C116	CK73HB1C473K	CHIP C	16V 0.047UF K	1	
	C121	CK73FB1E475K	CHIP C	25V 4.7UF K	1	
	C122	CK73GB1H104K	CHIP C	50V 0.10UF K	1	
	C123	CK73HB1A104K	CHIP C	10V 0.10UF K	1	
	C124	CC73HCH1H470J	CHIP C	50V 47PF J	1	
	C125	CK73HB1A104K	CHIP C	10V 0.10UF K	1	
	C126	CK73GB1A105K	CHIP C	10V 1.0UF K	1	
	C131	CK73GB0J106M	CHIP C	6.3V 10UF M	1	
	C132	CK73GB0J106M	CHIP C	6.3V 10UF M	1	
	C133	C92-2031-05	ELECTRO	220UF	1	
	C134	CK73HB1A104K	CHIP C	10V 0.10UF K	1	
	C143	CK73GB0J106M	CHIP C	6.3V 10UF M	1	
	C144	CK73GB0J106M	CHIP C	6.3V 10UF M	1	
	C145	CK73GB1A105K	CHIP C	10V 1.0UF K	1	
	C146	CK73HB0J105K	CHIP C	6.3V 1.0UF K	1	
	C151	CK73HB0J105K	CHIP C	6.3V 1.0UF K	1	
	C152	CK73HB1A104K	CHIP C	10V 0.10UF K	1	
	C154	CK73HB1A104K	CHIP C	10V 0.10UF K	1	
	C161	CK73HB1A104K	CHIP C	10V 0.10UF K	1	
	C162	CK73FB1C106K	CHIP C	16V 10UF K	1	
	C163	CK73FB1C106K	CHIP C	16V 10UF K	1	
	C164	CK73HB1A104K	CHIP C	10V 0.10UF K	1	
	C165	CK73HB1E103K	CHIP C	25V 0.010UF K	1	
	C166	CK73HB0J105K	CHIP C	6.3V 1.0UF K	1	
	C171	CK73FB1C106K	CHIP C	16V 10UF K	1	
	C172	CK73FB0J226M	CHIP C	22UF M	1	
	C173	CE32BQ1C101M	CHIP EL	100UF 16VV	1	
	C181	CK73GB1A105K	CHIP C	10V 1.0UF K	1	
	C183	CK73GB0J106M	CHIP C	6.3V 10UF M	1	
	C201	CK73HB1H102K	CHIP C	50V 1000PF K	1	
	C206	CK73HB0J105K	CHIP C	6.3V 1.0UF K	1	
	C207	CK73HB0J105K	CHIP C	6.3V 1.0UF K	1	
	C208	CK73HB1H222K	CHIP C	50V 2200PF K	1	
	C209	CK73GB0J106M	CHIP C	6.3V 10UF M	1	

MODEL	MARK	MODEL	MARK	MODEL	MARK	MODEL	MARK
DNX4210BT	E2	DNX5060EX	K3	DNX5190	K2	DNX6490BT	R1

Safe	Symbol No.	Parts No.	Parts Name	Description	QTY	Local
	C210	CK73HB1E103K	CHIP C	25V 0.010UF K	1	
	C214	CK73HB1A104K	CHIP C	10V 0.10UF K	1	
	C215	CK73HB0J105K	CHIP C	6.3V 1.0UF K	1	
	C216	CK73HB1A104K	CHIP C	10V 0.10UF K	1	
	C217	CK73HB1A104K	CHIP C	10V 0.10UF K	1	
	C218	CK73HB1A104K	CHIP C	10V 0.10UF K	1	
	C219	CK73HB1A104K	CHIP C	10V 0.10UF K	1	
	C220	CC73HCH1H180J	CHIP C	50V 18PF J	1	
	C221	CC73HCH1H060D	CHIP C	50V 6.0PF D	1	
	C222	CK73HB1A104K	CHIP C	10V 0.10UF K	1	
	C223	CK73HB1A104K	CHIP C	10V 0.10UF K	1	
	C224	CC73HCH1H220J	CHIP C	50V 22PF J	1	
	C225	CC73HCH1H220J	CHIP C	50V 22PF J	1	
	C226	CK73HB1A104K	CHIP C	10V 0.10UF K	1	
	C227	CK73HB0J105K	CHIP C	6.3V 1.0UF K	1	
	C228	CK73HB0J105K	CHIP C	6.3V 1.0UF K	1	
	C229	CE32BQ0J221M	CHIP EL	220UF 6.3WV	1	
	C230	CK73GB0J106M	CHIP C	6.3V 10UF M	1	
	C231	CK73HB1H222K	CHIP C	50V 2200PF K	1	
	C232	CK73HB1E103K	CHIP C	25V 0.010UF K	1	
	C233	CK73HB1E103K	CHIP C	25V 0.010UF K	1	
	C234	CK73HB1E103K	CHIP C	25V 0.010UF K	1	
	C235	CK73HB1E103K	CHIP C	25V 0.010UF K	1	
	C236	CK73HB1E103K	CHIP C	25V 0.010UF K	1	
	C237	CK73HB1E103K	CHIP C	25V 0.010UF K	1	
	C238	CK73HB1E103K	CHIP C	25V 0.010UF K	1	
	C239	CK73HB0J105K	CHIP C	6.3V 1.0UF K	1	
	C240	CK73HB0J105K	CHIP C	6.3V 1.0UF K	1	
	C241	CK73HB0J105K	CHIP C	6.3V 1.0UF K	1	
	C242	CK73HB0J105K	CHIP C	6.3V 1.0UF K	1	
	C243	CK73HB1A104K	CHIP C	10V 0.10UF K	1	
	C244	CK73HB1A104K	CHIP C	10V 0.10UF K	1	
	C245	CK73GB0J106M	CHIP C	6.3V 10UF M	1	
	C246	CK73HB1E103K	CHIP C	25V 0.010UF K	1	
	C248	CK73HB1E103K	CHIP C	25V 0.010UF K	1	
	C249	CK73HB1E103K	CHIP C	25V 0.010UF K	1	
	C250	CK73HB1E103K	CHIP C	25V 0.010UF K	1	
	C400	CK73HB0J105K	CHIP C	6.3V 1.0UF K	1	E2,K3,K2
	C401	CK73GB0J475K	CHIP C	6.3V 4.7UF K	1	E2,K3,K2
	C402	CK73GB0J475K	CHIP C	6.3V 4.7UF K	1	E2,K3,K2
	C403	CK73GB0J475K	CHIP C	6.3V 4.7UF K	1	E2,K3,K2
	C405	CK73GB0J106M	CHIP C	6.3V 10UF M	1	
	C407	CK73GB0J106M	CHIP C	6.3V 10UF M	1	
	C408	CK73HB0J105K	CHIP C	6.3V 1.0UF K	1	E2,K3,K2
	C409	CK73HB0J105K	CHIP C	6.3V 1.0UF K	1	E2,K3,K2
	C410	CK73HB0J105K	CHIP C	6.3V 1.0UF K	1	E2,K3,K2
	C411	CK73GB0J475K	CHIP C	6.3V 4.7UF K	1	E2,K3,K2
	C412	CK73GB0J475K	CHIP C	6.3V 4.7UF K	1	E2,K3,K2
	C413	CK73GB0J475K	CHIP C	6.3V 4.7UF K	1	E2,K3,K2
	C414	CK73HB1A104K	CHIP C	10V 0.10UF K	1	
	C415	CK73GB0J106M	CHIP C	6.3V 10UF M	1	
	C416	CK73HB1C473K	CHIP C	16V 0.047UF K	1	E2,K3,K2
	C417	CK73GB1A105K	CHIP C	10V 1.0UF K	1	
	C418	CK73GB0J475K	CHIP C	6.3V 4.7UF K	1	E2,K3,K2
	C420	CK73HB1A104K	CHIP C	10V 0.10UF K	1	
	C421	CK73GB0J106M	CHIP C	6.3V 10UF M	1	
	C422	CK73GB1H332K	CHIP C	50V 3300PF K	1	
	C423	CK73GB1H332K	CHIP C	50V 3300PF K	1	
	C424	CK73GB1H332K	CHIP C	50V 3300PF K	1	
	C425	CK73GB1H332K	CHIP C	50V 3300PF K	1	
	C426	CK73HB1A104K	CHIP C	10V 0.10UF K	1	
	C430	CK73HB1C473K	CHIP C	16V 0.047UF K	1	
	C432	CC73HCH1H221J	CHIP C	50V 220PF J	1	E2,K3,K2
	C501	CK73HB1A104K	CHIP C	10V 0.10UF K	1	
	C503	CK73HB1E103K	CHIP C	25V 0.010UF K	1	
	C504	CK73HB1E103K	CHIP C	25V 0.010UF K	1	
	C505	CK73HB1A104K	CHIP C	10V 0.10UF K	1	
	C506	CK73HB1A104K	CHIP C	10V 0.10UF K	1	
	C507	CK73HB1A104K	CHIP C	10V 0.10UF K	1	
	C508	CK73GB0J106M	CHIP C	6.3V 10UF M	1	
	C509	CK73GB0J106M	CHIP C	6.3V 10UF M	1	
	C510	CK73HB1A104K	CHIP C	10V 0.10UF K	1	K3,K2
	C511	CK73HB1A104K	CHIP C	10V 0.10UF K	1	
	C512	CC73HCH1H020C	CHIP C	50V 2.0PF C	1	
	C513	CC73HCH1H020C	CHIP C	50V 2.0PF C	1	
	C521	CK73GB1A475K	CHIP C	10V 4.7UF K	1	
	C523	CK73HB1A104K	CHIP C	10V 0.10UF K	1	
	C528	CK73GB1A105K	CHIP C	10V 1.0UF K	1	
	C530	CE32AV0J221M	CHIP EL	220UF 6.3WV	1	
	C533	CK73HB1H102K	CHIP C	50V 1000PF K	1	
	C534	CK73EB0J476M	CHIP C	6.3V 47UF M	1	
	C536	CK73EB0J476M	CHIP C	6.3V 47UF M	1	
	C540	CK73HB1A104K	CHIP C	10V 0.10UF K	1	
	C541	CK73HB1E103K	CHIP C	25V 0.010UF K	1	
	C542	CK73HB1A104K	CHIP C	10V 0.10UF K	1	
	C543	CK73GB0J106M	CHIP C	6.3V 10UF M	1	
	C545	CK73GB0J106M	CHIP C	6.3V 10UF M	1	
	C560	CK73HB1A104K	CHIP C	10V 0.10UF K	1	
	C561	CK73GB0J106M	CHIP C	6.3V 10UF M	1	
	C562	CK73HB1A104K	CHIP C	10V 0.10UF K	1	
	C582	CK73HB0J105K	CHIP C	6.3V 1.0UF K	1	R1
	C583	CK73HB0J105K	CHIP C	6.3V 1.0UF K	1	R1
	C585	CK73GB0J106M	CHIP C	6.3V 10UF M	1	R1

MODEL	MARK	MODEL	MARK	MODEL	MARK	MODEL	MARK
DNX4210BT	E2	DNX5060EX	K3	DNX5190	K2	DNX6490BT	R1

Safe	Symbol No.	Parts No.	Parts Name	Description	QTY	Local
	C586	CK73HB1A104K	CHIP C	10V 0.10UF K	1	R1
	C587	CK73EB0J476M	CHIP C	6.3V 47UF M	1	R1
	C660	CK73GB1H104K	CHIP C	50V 0.10UF K	1	
	C663	CK73GB1C224K	CHIP C	16V 0.22UF K	1	
	C664	CK73HB1H222K	CHIP C	50V 2200PF K	1	
	C665	CK73HB1H222K	CHIP C	50V 2200PF K	1	
	C666	CK73HB1H222K	CHIP C	50V 2200PF K	1	
	C667	CE32BQ0J331M	CHIP EL	50V 0.10UF K	1	
	C668	CK73FB0J226M	CHIP C	22UF M	1	
	C706	CK73FB0J226M	CHIP C	22UF M	1	
	C707	CK73HB1A104K	CHIP C	10V 0.10UF K	1	
	C709	CK73HB0J105K	CHIP C	6.3V 1.0UF K	1	
	C711	CK73HB0J105K	CHIP C	6.3V 1.0UF K	1	
	C712	CK73FB0J226M	CHIP C	22UF M	1	
	C713	CK73FB0J226M	CHIP C	22UF M	1	
	C714	CK73HB0J105K	CHIP C	6.3V 1.0UF K	1	
	C715	CK73HB0J105K	CHIP C	6.3V 1.0UF K	1	
	C716	CK73HB0J105K	CHIP C	6.3V 1.0UF K	1	
	C717	CK73HB0J105K	CHIP C	6.3V 1.0UF K	1	
	C718	CK73HB1A104K	CHIP C	10V 0.10UF K	1	
	C719	CK73FB0J226M	CHIP C	22UF M	1	
	C720	CE32BQ0J221M	CHIP EL	220UF 6.3WV	1	
	C721	CK73FB0J226M	CHIP C	22UF M	1	
	C722	CK73HB0J105K	CHIP C	6.3V 1.0UF K	1	
	C723	CK73HB0J105K	CHIP C	6.3V 1.0UF K	1	
	C750	CK73GB0J106M	CHIP C	6.3V 10UF M	1	
	C751	CK73HB1A104K	CHIP C	10V 0.10UF K	1	
	C752	CK73HB1A104K	CHIP C	10V 0.10UF K	1	
	C753	CK73FB0J226M	CHIP C	22UF M	1	
	C754	CE32BJ1C100M	CHIP EL	10UF 16WV	1	
	C755	CK73HB1H222K	CHIP C	50V 2200PF K	1	
	C756	CE32BJ1C100M	CHIP EL	10UF 16WV	1	
	C757	CC73HCH1H020C	CHIP C	50V 2.0PF C	1	
	C758	CE32BJ1C101M	CHIP EL	100UF 16WV	1	
	C759	CK73GB0J106M	CHIP C	6.3V 10UF M	1	
	C760	CK73HB1E103K	CHIP C	25V 0.010UF K	1	
	C761	CK73HB1A104K	CHIP C	10V 0.10UF K	1	
	C762	CK73FB0J226M	CHIP C	22UF M	1	
	C801	CK73EB1E106K	CHIP C	25V 10UF K	1	
	C802	CK73HB1H471K	CHIP C	50V 470PF K	1	
	C803	CK73GB1H104K	CHIP C	50V 0.10UF K	1	
	C804	CK73HB1E103K	CHIP C	25V 0.010UF K	1	
	C807	CK73HB1A104K	CHIP C	10V 0.10UF K	1	
	C808	CK73HB1E103K	CHIP C	25V 0.010UF K	1	
	C809	CK73HB1E103K	CHIP C	25V 0.010UF K	1	
	C810	CK73HB1A104K	CHIP C	10V 0.10UF K	1	
	C811	CK73HB1H471K	CHIP C	50V 470PF K	1	
	C812	CK73FB1C106K	CHIP C	16V 10UF K	1	
	C815	CE32BM1E470M	CHIP EL	47UF 25WV	1	
	C900	CK73FB0J226M	CHIP C	22UF M	1	R1
	C902	CK73HB1A104K	CHIP C	10V 0.10UF K	1	R1
	C903	CK73GB1A105K	CHIP C	10V 1.0UF K	1	R1
	C904	CK73GB1A105K	CHIP C	10V 1.0UF K	1	R1
	C905	CK73GB1A105K	CHIP C	10V 1.0UF K	1	R1
	C906	CK73GB1A105K	CHIP C	10V 1.0UF K	1	R1
	C909	CC73HCH1H470J	CHIP C	50V 47PF J	1	R1
	C910	CC73HCH1H470J	CHIP C	50V 47PF J	1	R1
	C911	CC73HCH1H470J	CHIP C	50V 47PF J	1	R1
	C912	CC73HCH1H470J	CHIP C	50V 47PF J	1	R1
	C913	CK73HB1A104K	CHIP C	10V 0.10UF K	1	E2,K3,K2
	C915	CK73HB1A104K	CHIP C	10V 0.10UF K	1	E2,K3,K2
	C916	CK73GB1A105K	CHIP C	10V 1.0UF K	1	
	C918	CK73GB1A105K	CHIP C	10V 1.0UF K	1	R1
	C919	CK73GB1A105K	CHIP C	10V 1.0UF K	1	
	C921	CK73GB1A105K	CHIP C	10V 1.0UF K	1	R1
	C922	CK73GB0J106M	CHIP C	6.3V 10UF M	1	
	C924	CK73HB1A104K	CHIP C	10V 0.10UF K	1	
	C926	CK73GB0J106M	CHIP C	6.3V 10UF M	1	R1
	C927	CE32BQ0J331M	CHIP EL	50V 0.10UF K	1	R1
	C932	CK73HB1A104K	CHIP C	10V 0.10UF K	1	R1
	C934	CK73GB1A105K	CHIP C	10V 1.0UF K	1	R1
	C935	CK73GB1A105K	CHIP C	10V 1.0UF K	1	R1
	R1	RK73HB1J823J	CHIP R	82K J 1/16W	1	
	R2	RK73HB1J103J	CHIP R	10K J 1/16W	1	
	R3	RK73HB1J224J	CHIP R	220K J 1/16W	1	
	R4	RK73HB1J333J	CHIP R	33K J 1/16W	1	
	R5	RK73HB1J274J	CHIP R	270K J 1/16W	1	
	R6	RK73HH1J104D	CHIP R	100K D 1/16W	1	
	R7	RK73HH1J513D	CHIP R	51K D 1/16W	1	
	R8	RK73HH1J333D	CHIP R	33K D 1/16W	1	
	R9	RK73HB1J224J	CHIP R	220K J 1/16W	1	
	R10	RK73HB1J224J	CHIP R	220K J 1/16W	1	
	R11	RK73HH1J113D	CHIP R	11K D 1/16W	1	
	R12	RK73HH1J104D	CHIP R	100K D 1/16W	1	
	R13	RK73HH1J334D	CHIP R	330K D 1/16W	1	
	R14	RK73HH1J334D	CHIP R	330K D 1/16W	1	
	R15	RK73HH1J683D	CHIP R	68K D 1/16W	1	
	R16	RK73HB1J224J	CHIP R	220K J 1/16W	1	
	R17	RK73HB1J224J	CHIP R	220K J 1/16W	1	
	R18	RK73HB1J224J	CHIP R	220K J 1/16W	1	
	R19	RK73HB1J473J	CHIP R	47K J 1/16W	1	
	R21	RK73HB1J823J	CHIP R	82K J 1/16W	1	

MODEL	MARK	MODEL	MARK	MODEL	MARK	MODEL	MARK
DNX4210BT	E2	DNX5060EX	K3	DNX5190	K2	DNX6490BT	R1

Safe	Symbol No.	Parts No.	Parts Name	Description	QTY	Local
R22		RK73HB1J103J	CHIP R	10K J 1/16W	1	
R23		RK73HB1J224J	CHIP R	220K J 1/16W	1	
R24		RK73HB1J333J	CHIP R	33K J 1/16W	1	
R25		RK73HB1J274J	CHIP R	270K J 1/16W	1	
R31		RK73HB1J103J	CHIP R	10K J 1/16W	1	
R32		RK73HB1J473J	CHIP R	47K J 1/16W	1	
R33		RK73HB1J101J	CHIP R	100 J 1/16W	1	
R34		RK73HB1J101J	CHIP R	100 J 1/16W	1	
R35		RK73HB1J274J	CHIP R	270K J 1/16W	1	
R36		RK73HB1J113J	CHIP R	11K J 1/16W	1	
R38		RK73HB1J000J	CHIP R	0.0 J 1/16W	1	
R39		RK73HH1J333D	CHIP R	33K D 1/16W	1	
R40		RK73HH1J203D	CHIP R	20K D 1/16W	1	
R41		RK73HH1J223D	CHIP R	22K D 1/16W	1	
R42		RK73HB1J000J	CHIP R	0.0 J 1/16W	1	
R43		RK73HB1J163J	CHIP R	16K J 1/16W	1	
R45		RK73HB1J223J	CHIP R	22K J 1/16W	1	
R46		RK73EB2E111J	CHIP R	110 J 1/4W	1	
R47		RK73HB1J472J	CHIP R	4.7K J 1/16W	1	
R48		RK73HB1J473J	CHIP R	47K J 1/16W	1	
R51		RK73HB1J000J	CHIP R	0.0 J 1/16W	1	
R52		RK73HB1J000J	CHIP R	0.0 J 1/16W	1	
R53		RK73HH1J124D	CHIP R	120K D 1/16W	1	
R54		RK73HH1J273D	CHIP R	27K D 1/16W	1	
R55		RK73HH1J301D	CHIP R	300 D 1/16W	1	
R56		RK73HB1J103J	CHIP R	10K J 1/16W	1	
R57		RK73PB2H160J	CHIP R	16 J 1/2W	1	
R58		RK73HB1J104J	CHIP R	100K J 1/16W	1	
R59		RK73HB1J103J	CHIP R	10K J 1/16W	1	
R60		RK73HB1J471J	CHIP R	470 J 1/16W	1	
R61		RK73HB1J473J	CHIP R	47K J 1/16W	1	
R62		RK73HB1J473J	CHIP R	47K J 1/16W	1	
R81		R92-5276-05	CHIP R	0.033 J 1/3W	1	
R82		R92-5276-05	CHIP R	0.033 J 1/3W	1	
R83		R92-5276-05	CHIP R	0.033 J 1/3W	1	
R85		RK73HB1J000J	CHIP R	0.0 J 1/16W	1	
R86		RK73PB2H160J	CHIP R	16 J 1/2W	1	
R87		RK73HH1J303D	CHIP R	30K D 1/16W	1	
R88		RK73HB1J122J	CHIP R	1.2K J 1/16W	1	
R89		RK73HH1J512D	CHIP R	5.1K D 1/16W	1	
R90		RK73HH1J471D	CHIP R	470 D 1/16W	1	
R91		RK73HB1J332J	CHIP R	3.3K J 1/16W	1	
R101		R92-5244-05	CHIP R	0.039 1/3W	1	
R102		R92-5244-05	CHIP R	0.039 1/3W	1	
R103		RK73HB1J000J	CHIP R	0.0 J 1/16W	1	
R104		RK73PB2H160J	CHIP R	16 J 1/2W	1	
R105		RK73HH1J303D	CHIP R	30K D 1/16W	1	
R106		RK73HB1J122J	CHIP R	1.2K J 1/16W	1	
R107		RK73HH1J753D	CHIP R	75K D 1/16W	1	
R108		RK73HH1J113D	CHIP R	11K D 1/16W	1	
R109		RK73HB1J332J	CHIP R	3.3K J 1/16W	1	
R121		RK73HB1J2R2J	CHIP R	2.2 J 1/16W	1	
R122		RK73GB2A000J	CHIP R	0.0 J 1/10W 1608	1	
R124		RK73GB2A000J	CHIP R	0.0 J 1/10W 1608	1	
R125		RK73HB1J000J	CHIP R	0.0 J 1/16W	1	
R126		RK73HB1J000J	CHIP R	0.0 J 1/16W	1	
R127		RK73HH1J164D	CHIP R	160K D 1/16W	1	
R128		RK73HH1J273D	CHIP R	27K D 1/16W	1	
R136		RK73HB1J473J	CHIP R	47K J 1/16W	1	
R137		RK73HB1J272J	CHIP R	2.7K J 1/16W	1	
R138		RK73HB1J223J	CHIP R	22K J 1/16W	1	
R139		RK73HB1J223J	CHIP R	22K J 1/16W	1	
R140		RK73HB1J223J	CHIP R	22K J 1/16W	1	
R141		RK73GB2A000J	CHIP R	0.0 J 1/10W 1608	1	
R145		RK73HB1J000J	CHIP R	0.0 J 1/16W	1	
R147		RK73GB2A000J	CHIP R	0.0 J 1/10W 1608	1	
R148		RK73GB2A000J	CHIP R	0.0 J 1/10W 1608	1	
R149		RK73HB1J000J	CHIP R	0.0 J 1/16W	1	
R150		RK73GB2A000J	CHIP R	0.0 J 1/10W 1608	1	
R152		RK73HB1J223J	CHIP R	22K J 1/16W	1	
R153		RK73GB2A151J	CHIP R	150 J 1/10W	1	
R154		RK73GB2A151J	CHIP R	150 J 1/10W	1	
R155		RK73HB1J223J	CHIP R	22K J 1/16W	1	
R156		RK73GB2A271J	CHIP R	270 J 1/10W	1	
R157		RK73GB2A000J	CHIP R	0.0 J 1/10W 1608	1	
R161		RK73GB2A000J	CHIP R	0.0 J 1/10W 1608	1	
R163		RK73HB1J104J	CHIP R	100K J 1/16W	1	
R164		RK73HB1J333J	CHIP R	33K J 1/16W	1	
R165		RK73HB1J224J	CHIP R	220K J 1/16W	1	
R167		RK73HB1J473J	CHIP R	47K J 1/16W	1	
R168		RK73HB1J152J	CHIP R	1.5K J 1/16W	1	
R173		RK73HH1J223D	CHIP R	22K D 1/16W	1	
R174		RK73HH1J682D	CHIP R	6.8K D 1/16W	1	
R175		RK73GB2A2R2J	CHIP R	2.2 J 1/10W	1	
R176		RK73GB2A000J	CHIP R	0.0 J 1/10W 1608	1	
R181		RK73GB2A000J	CHIP R	0.0 J 1/10W 1608	1	
R182		RK73GB2A000J	CHIP R	0.0 J 1/10W 1608	1	
R208		RK73GB2A000J	CHIP R	0.0 J 1/10W 1608	1	
R209		RK73GB2A000J	CHIP R	0.0 J 1/10W 1608	1	
R210		RK73GB2A000J	CHIP R	0.0 J 1/10W 1608	1	
R214		RK73GB2A000J	CHIP R	0.0 J 1/10W 1608	1	
R222		RK73HB1J242J	CHIP R	2.4K J 1/16W	1	
R223		RK73HB1J302J	CHIP R	3.0K J 1/16W	1	

E2,K3,K2  
R1

MODEL	MARK	MODEL	MARK	MODEL	MARK	MODEL	MARK
DNX4210BT	E2	DNX5060EX	K3	DNX5190	K2	DNX6490BT	R1

Safe	Symbol No.	Parts No.	Parts Name	Description	QTY	Local
	R224	RK73HB1J680J	CHIP R	68 J 1/16W	1	
	R225	RK73HB1J680J	CHIP R	68 J 1/16W	1	
	R226	RK73HB1J104J	CHIP R	100K J 1/16W	1	
	R227	RK73HB1J562J	CHIP R	5.6K J 1/16W	1	
	R228	RK73HB1J752J	CHIP R	7.5K J 1/16W	1	
	R230	RK73HB1J101J	CHIP R	100 J 1/16W	1	
	R231	RK73HB1J101J	CHIP R	100 J 1/16W	1	
	R233	RK73HB1J104J	CHIP R	100K J 1/16W	1	
	R234	RK73HB1J101J	CHIP R	100 J 1/16W	1	
	R235	RK73HB1J101J	CHIP R	100 J 1/16W	1	
	R236	RK73HB1J101J	CHIP R	100 J 1/16W	1	
	R237	RK73HB1J103J	CHIP R	10K J 1/16W	1	
	R239	RK73HB1J101J	CHIP R	100 J 1/16W	1	
	R240	RK73HB1J101J	CHIP R	100 J 1/16W	1	
	R241	RK73HB1J472J	CHIP R	4.7K J 1/16W	1	
	R242	RK73HB1J101J	CHIP R	100 J 1/16W	1	
	R244	RK73HB1J472J	CHIP R	4.7K J 1/16W	1	
	R245	RK73HB1J101J	CHIP R	100 J 1/16W	1	
	R246	RK73HB1J222J	CHIP R	2.2K J 1/16W	1	
	R247	RK73HB1J101J	CHIP R	100 J 1/16W	1	
	R248	RK73HB1J101J	CHIP R	100 J 1/16W	1	
	R249	RK73HB1J104J	CHIP R	100K J 1/16W	1	
	R250	RK73HB1J222J	CHIP R	2.2K J 1/16W	1	
	R252	RK73HB1J101J	CHIP R	100 J 1/16W	1	
	R253	RK73HB1J104J	CHIP R	100K J 1/16W	1	
	R257	RK73HB1J101J	CHIP R	100 J 1/16W	1	
	R258	RK73HB1J222J	CHIP R	2.2K J 1/16W	1	
	R259	RK73HB1J103J	CHIP R	10K J 1/16W	1	
	R261	RK73HB1J102J	CHIP R	1.0K J 1/16W	1	
	R262	RK73HB1J101J	CHIP R	100 J 1/16W	1	
	R264	RK73HB1J222J	CHIP R	2.2K J 1/16W	1	
	R265	RK73HB1J103J	CHIP R	10K J 1/16W	1	
	R266	RK73HB1J223J	CHIP R	22K J 1/16W	1	
	R269	RK73HB1J104J	CHIP R	100K J 1/16W	1	
	R271	RK73HB1J473J	CHIP R	47K J 1/16W	1	
	R273	RK73HB1J473J	CHIP R	47K J 1/16W	1	
	R274	RK73HB1J473J	CHIP R	47K J 1/16W	1	
	R276	RK73HB1J473J	CHIP R	47K J 1/16W	1	
	R277	RK73HB1J104J	CHIP R	100K J 1/16W	1	
	R279	RK73HB1J104J	CHIP R	100K J 1/16W	1	
	R280	RK73HB1J103J	CHIP R	10K J 1/16W	1	
	R281	RK73HB1J272J	CHIP R	2.7K J 1/16W	1	
	R282	RK73GB2A101J	CHIP R	100 J 1/10W	1	
	R283	RK73HB1J000J	CHIP R	0.0 J 1/16W	1	
	R284	RK73HB1J101J	CHIP R	100 J 1/16W	1	
	R285	RK73HB1J101J	CHIP R	100 J 1/16W	1	
	R286	RK73HB1J154J	CHIP R	150K J 1/16W	1	
	R287	RK73HB1J104J	CHIP R	100K J 1/16W	1	
	R288	RK73HB1J223J	CHIP R	22K J 1/16W	1	
	R290	RK73HB1J473J	CHIP R	47K J 1/16W	1	
	R291	RK73HB1J101J	CHIP R	100 J 1/16W	1	
	R292	RK73HB1J473J	CHIP R	47K J 1/16W	1	
	R294	RK73HB1J101J	CHIP R	100 J 1/16W	1	
	R295	RK73HB1J223J	CHIP R	22K J 1/16W	1	
	R296	RK73HB1J000J	CHIP R	0.0 J 1/16W	1	
	R297	RK73HB1J101J	CHIP R	100 J 1/16W	1	
	R298	RK73HB1J104J	CHIP R	100K J 1/16W	1	
	R299	RK73HB1J272J	CHIP R	2.7K J 1/16W	1	
	R300	RK73HB1J272J	CHIP R	2.7K J 1/16W	1	
	R301	RK73HB1J223J	CHIP R	22K J 1/16W	1	
	R302	RK73HB1J272J	CHIP R	2.7K J 1/16W	1	
	R303	RK73HB1J101J	CHIP R	100 J 1/16W	1	
	R304	RK73HB1J104J	CHIP R	100K J 1/16W	1	
	R305	RK73HB1J101J	CHIP R	100 J 1/16W	1	
	R306	RK73HB1J101J	CHIP R	100 J 1/16W	1	
	R307	RK73HB1J104J	CHIP R	100K J 1/16W	1	
	R308	RK73HB1J752J	CHIP R	7.5K J 1/16W	1	
	R309	RK73HB1J272J	CHIP R	2.7K J 1/16W	1	
	R310	RK73HB1J272J	CHIP R	2.7K J 1/16W	1	
	R311	RK73HB1J101J	CHIP R	100 J 1/16W	1	
	R312	RK73HB1J473J	CHIP R	47K J 1/16W	1	
	R313	RK73HB1J104J	CHIP R	100K J 1/16W	1	
	R315	RK73HH1J203D	CHIP R	20K D 1/16W	1	E2,K3,K2
	R315	RK73HH1J123D	CHIP R	12K D 1/16W	1	R1
	R317	RK73HH1J562D	CHIP R	5.6K D 1/16W	1	E2
	R317	RK73HH1J152D	CHIP R	1.5K D 1/16W	1	K3
	R317	RK73HB1J103J	CHIP R	10K J 1/16W	1	K2
	R317	RK73HH1J302D	CHIP R	3.0K D 1/16W	1	R1
	R318	RK73HB1J101J	CHIP R	100 J 1/16W	1	
	R319	RK73HB1J101J	CHIP R	100 J 1/16W	1	
	R321	RK73HB1J222J	CHIP R	2.2K J 1/16W	1	
	R322	RK73HB1J222J	CHIP R	2.2K J 1/16W	1	
	R323	RK73HB1J101J	CHIP R	100 J 1/16W	1	
	R324	RK73HB1J101J	CHIP R	100 J 1/16W	1	
	R328	RK73HB1J101J	CHIP R	100 J 1/16W	1	
	R329	RK73HB1J103J	CHIP R	10K J 1/16W	1	
	R330	RK73HH1J103D	CHIP R	10K D 1/16W	1	E2,K3,R1
	R331	RK73HH1J103D	CHIP R	10K D 1/16W	1	
	R335	RK73HB1J000J	CHIP R	0.0 J 1/16W	1	
	R336	RK73HB1J000J	CHIP R	0.0 J 1/16W	1	
	R339	RK73HB1J101J	CHIP R	100 J 1/16W	1	
	R340	RK73HB1J101J	CHIP R	100 J 1/16W	1	

MODEL	MARK	MODEL	MARK	MODEL	MARK	MODEL	MARK
DNX4210BT	E2	DNX5060EX	K3	DNX5190	K2	DNX6490BT	R1

Safe	Symbol No.	Parts No.	Parts Name	Description	QTY	Local
	R341	RK73HB1J101J	CHIP R	100 J 1/16W	1	
	R343	RK73HB1J000J	CHIP R	0.0 J 1/16W	1	
	R345	RK73HB1J000J	CHIP R	0.0 J 1/16W	1	
	R348	RK73HB1J000J	CHIP R	0.0 J 1/16W	1	
	R349	RK73HB1J000J	CHIP R	0.0 J 1/16W	1	
	R351	RK73HB1J000J	CHIP R	0.0 J 1/16W	1	
	R354	RK73HB1J000J	CHIP R	0.0 J 1/16W	1	
	R355	RK73HB1J101J	CHIP R	100 J 1/16W	1	
	R359	RK73HB1J000J	CHIP R	0.0 J 1/16W	1	
	R360	RK73HB1J473J	CHIP R	47K J 1/16W	1	
	R362	RK73HB1J000J	CHIP R	0.0 J 1/16W	1	R1
	R363	RK73HB1J000J	CHIP R	0.0 J 1/16W	1	E2,K3,K2
	R364	RK73HB1J000J	CHIP R	0.0 J 1/16W	1	E2,K3,K2
	R365	RK73HB1J000J	CHIP R	0.0 J 1/16W	1	R1
	R366	RK73HB1J202J	CHIP R	2.0K J 1/16W	1	
	R369	RK73HB1J000J	CHIP R	0.0 J 1/16W	1	
	R370	RK73HB1J000J	CHIP R	0.0 J 1/16W	1	
	R373	RK73HB1J104J	CHIP R	100K J 1/16W	1	
	R374	RK73HB1J000J	CHIP R	0.0 J 1/16W	1	
	R400	RK73HB1J560J	CHIP R	56 J 1/16W	1	E2,K3,K2
	R401	RK73HB1J560J	CHIP R	56 J 1/16W	1	E2,K3,K2
	R402	RK73HB1J220J	CHIP R	22 J 1/16W	1	E2,K3,K2
	R403	RK73HB1J223J	CHIP R	22K J 1/16W	1	
	R404	RK73HB1J223J	CHIP R	22K J 1/16W	1	
	R405	RK73HB1J223J	CHIP R	22K J 1/16W	1	
	R406	RK73HB1J223J	CHIP R	22K J 1/16W	1	
	R407	RK73GB2A2R2J	CHIP R	2.2 J 1/10W	1	
	R408	RK73HB1J104J	CHIP R	100K J 1/16W	1	E2,K3,K2
	R409	RK73HB1J560J	CHIP R	56 J 1/16W	1	E2,K3,K2
	R410	RK73HB1J560J	CHIP R	56 J 1/16W	1	E2,K3,K2
	R411	RK73HB1J000J	CHIP R	0.0 J 1/16W	1	E2,K3,K2
	R413	RK73HB1J223J	CHIP R	22K J 1/16W	1	
	R414	RK73HB1J220J	CHIP R	22 J 1/16W	1	
	R415	RK73HB1J220J	CHIP R	22 J 1/16W	1	
	R416	RK73HB1J220J	CHIP R	22 J 1/16W	1	
	R417	RK73HB1J220J	CHIP R	22 J 1/16W	1	
	R418	RK73HB1J220J	CHIP R	22 J 1/16W	1	
	R419	RK73HB1J223J	CHIP R	22K J 1/16W	1	
	R420	RK73HB1J220J	CHIP R	22 J 1/16W	1	
	R421	RK73HB1J220J	CHIP R	22 J 1/16W	1	
	R422	RK73HB1J220J	CHIP R	22 J 1/16W	1	
	R425	RK73HB1J220J	CHIP R	22 J 1/16W	1	
	R426	RK73HB1J220J	CHIP R	22 J 1/16W	1	
	R427	RK73GB2A000J	CHIP R	0.0 J 1/10W 1608	1	E2,K3,K2
	R428	RK73HB1J101J	CHIP R	100 J 1/16W	1	E2,K3,K2
	R429	RK73HB1J101J	CHIP R	100 J 1/16W	1	E2,K3,K2
	R430	RK73HB1J222J	CHIP R	2.2K J 1/16W	1	E2,K3,K2
	R433	RK73HB1J000J	CHIP R	0.0 J 1/16W	1	
	R434	RK73HB1J221J	CHIP R	220 J 1/16W	1	E2,K3,K2
	R436	RK73GB2A221J	CHIP R	220 J 1/10W	1	
	R437	RK73GB2A471J	CHIP R	470 J 1/10W	1	
	R438	RK73GB2A221J	CHIP R	220 J 1/10W	1	
	R439	RK73GB2A471J	CHIP R	470 J 1/10W	1	
	R440	RK73GB2A101J	CHIP R	100 J 1/10W	1	
	R441	RK73GB2A101J	CHIP R	100 J 1/10W	1	
	R442	RK73FB2B101J	CHIP R	100 J 1/8W	1	
	R443	RK73FB2B101J	CHIP R	100 J 1/8W	1	
	R444	RK73GB2A2R2J	CHIP R	2.2 J 1/10W	1	
	R445	RK73HB1J473J	CHIP R	47K J 1/16W	1	E2,K3,K2
	R446	RK73HB1J000J	CHIP R	0.0 J 1/16W	1	
	R447	RK73HB1J000J	CHIP R	0.0 J 1/16W	1	
	R448	RK73HB1J000J	CHIP R	0.0 J 1/16W	1	
	R449	RK73HB1J000J	CHIP R	0.0 J 1/16W	1	
	R451	RK73HB1J221J	CHIP R	220 J 1/16W	1	
	R454	RK73HB1J272J	CHIP R	2.7K J 1/16W	1	
	R455	RK73GB2A000J	CHIP R	0.0 J 1/10W 1608	1	E2,K3,K2
	R457	RK73GB2A2R2J	CHIP R	2.2 J 1/10W	1	
	R500	RK73HB1J000J	CHIP R	0.0 J 1/16W	1	K3,K2
	R501	RK73HB1J000J	CHIP R	0.0 J 1/16W	1	K3,K2
	R503	RK73HB1J300J	CHIP R	30 J 1/16W	1	
	R524	RK73HH1J303D	CHIP R	30K D 1/16W	1	
	R525	RK73HH1J512D	CHIP R	5.1K D 1/16W	1	
	R526	RK73HH1J130D	CHIP R	13 D 1/16W	1	
	R529	RK73HB1J000J	CHIP R	0.0 J 1/16W	1	
	R532	RK73HB1J473J	CHIP R	47K J 1/16W	1	
	R533	RK73HB1J222J	CHIP R	2.2K J 1/16W	1	
	R536	RK73HB1J272J	CHIP R	2.7K J 1/16W	1	
	R540	RK73HB1J101J	CHIP R	100 J 1/16W	1	
	R541	RK73HB1J000J	CHIP R	0.0 J 1/16W	1	
	R543	RK73HB1J000J	CHIP R	0.0 J 1/16W	1	
	R562	RK73GB2A000J	CHIP R	0.0 J 1/10W 1608	1	
	R564	RK73HB1J101J	CHIP R	100 J 1/16W	1	
	R565	RK73HB1J101J	CHIP R	100 J 1/16W	1	
	R580	RK73HB1J223J	CHIP R	22K J 1/16W	1	R1
	R581	RK73HB1J000J	CHIP R	0.0 J 1/16W	1	R1
	R582	RK73HB1J223J	CHIP R	22K J 1/16W	1	R1
	R583	RK73HB1J223J	CHIP R	22K J 1/16W	1	R1
	R584	RK73HB1J223J	CHIP R	22K J 1/16W	1	R1
	R585	RK73HB1J223J	CHIP R	22K J 1/16W	1	R1
	R586	RK73HB1J102J	CHIP R	1.0K J 1/16W	1	R1
	R587	RK73HB1J272J	CHIP R	2.7K J 1/16W	1	R1
	R589	RK73HB1J272J	CHIP R	2.7K J 1/16W	1	R1

MODEL	MARK	MODEL	MARK	MODEL	MARK	MODEL	MARK
DNX4210BT	E2	DNX5060EX	K3	DNX5190	K2	DNX6490BT	R1

Safe	Symbol No.	Parts No.	Parts Name	Description	QTY	Local
R590		RK73HB1J000J	CHIP R	0.0 J 1/16W	1	R1
R591		RK73HB1J000J	CHIP R	0.0 J 1/16W	1	R1
R592		RK73HB1J000J	CHIP R	0.0 J 1/16W	1	R1
R593		RK73HB1J000J	CHIP R	0.0 J 1/16W	1	R1
R594		RK73HB1J000J	CHIP R	0.0 J 1/16W	1	R1
R595		RK73HB1J101J	CHIP R	100 J 1/16W	1	R1
R596		RK73HB1J101J	CHIP R	100 J 1/16W	1	R1
R597		RK73HB1J101J	CHIP R	100 J 1/16W	1	R1
R598		RK73HB1J470J	CHIP R	47 J 1/16W	1	R1
R599		RK73HB1J101J	CHIP R	100 J 1/16W	1	R1
R615		RK73HB1J101J	CHIP R	100 J 1/16W	1	R1
R660		RK73GB2A000J	CHIP R	0.0 J 1/10W 1608	1	
R662		RK73HB1J100J	CHIP R	10 J 1/16W	1	
R664		RK73HB1J100J	CHIP R	10 J 1/16W	1	
R665		RK73GB2A000J	CHIP R	0.0 J 1/10W 1608	1	
R675		RK73HB1J101J	CHIP R	100 J 1/16W	1	
R676		RK73HB1J101J	CHIP R	100 J 1/16W	1	
R677		RK73HB1J750J	CHIP R	75 J 1/16W	1	
R700		RK73HH1J680D	CHIP R	68 D 1/16W	1	
R702		RK73HB1J000J	CHIP R	0.0 J 1/16W	1	
R704		RK73HH1J241D	CHIP R	240 D 1/16W	1	
R706		RK73HB1J000J	CHIP R	0.0 J 1/16W	1	
R707		RK73HB1J000J	CHIP R	0.0 J 1/16W	1	
R708		RK73HB1J000J	CHIP R	0.0 J 1/16W	1	
R709		RK73HB1J000J	CHIP R	0.0 J 1/16W	1	
R712		RK73HB1J222J	CHIP R	2.2K J 1/16W	1	
R713		RK73HB1J103J	CHIP R	10K J 1/16W	1	
R714		RK73HB1J000J	CHIP R	0.0 J 1/16W	1	
R715		RK73HB1J103J	CHIP R	10K J 1/16W	1	
R717		RK73HB1J000J	CHIP R	0.0 J 1/16W	1	
R718		RK73HB1J000J	CHIP R	0.0 J 1/16W	1	
R720		RK73HB1J000J	CHIP R	0.0 J 1/16W	1	
R750		RK73GB2A000J	CHIP R	0.0 J 1/10W 1608	1	
R751		RK73GB2A471J	CHIP R	470 J 1/10W	1	
R752		RK73HB1J102J	CHIP R	1.0K J 1/16W	1	
R753		RK73HB1J473J	CHIP R	47K J 1/16W	1	
R754		RK73HB1J102J	CHIP R	1.0K J 1/16W	1	
R755		RK73HB1J473J	CHIP R	47K J 1/16W	1	
R756		RK73HB1J100J	CHIP R	10 J 1/16W	1	
R757		RK73GB2A471J	CHIP R	470 J 1/10W	1	
R758		RK73HB1J300J	CHIP R	30 J 1/16W	1	
R759		RK73HB1J101J	CHIP R	100 J 1/16W	1	
R801		RK73GB2A123J	CHIP R	12K J 1/10W	1	
R802		RK73GB2A123J	CHIP R	12K J 1/10W	1	
R803		RK73HB1J101J	CHIP R	100 J 1/16W	1	
R805		RK73HB1J100J	CHIP R	10 J 1/16W	1	
R806		RK73HB1J100J	CHIP R	10 J 1/16W	1	
R819		RK73HB1J000J	CHIP R	0.0 J 1/16W	1	
R822		RK73HB1J000J	CHIP R	0.0 J 1/16W	1	
R823		RK73HB1J101J	CHIP R	100 J 1/16W	1	
R824		RK73HB1J101J	CHIP R	100 J 1/16W	1	
R825		RK73HB1J100J	CHIP R	10 J 1/16W	1	
R826		RK73HB1J100J	CHIP R	10 J 1/16W	1	
R827		RK73HB1J100J	CHIP R	10 J 1/16W	1	
R828		RK73HB1J100J	CHIP R	10 J 1/16W	1	
R829		RK73HB1J101J	CHIP R	100 J 1/16W	1	
R830		RK73HB1J101J	CHIP R	100 J 1/16W	1	
R831		RK73HB1J101J	CHIP R	100 J 1/16W	1	
R832		RK73HB1J100J	CHIP R	10 J 1/16W	1	
R833		RK73HB1J101J	CHIP R	100 J 1/16W	1	
R834		RK73HB1J472J	CHIP R	4.7K J 1/16W	1	
R835		RK73HH1J470D	CHIP R	47 D 1/16W	1	
R836		RK73HH1J470D	CHIP R	47 D 1/16W	1	
R837		RK73HH1J470D	CHIP R	47 D 1/16W	1	
R841		RK73HH1J470D	CHIP R	47 D 1/16W	1	
R842		RK73HB1J470J	CHIP R	47 J 1/16W	1	
R843		RK73HB1J000J	CHIP R	0.0 J 1/16W	1	
R846		RK73HB1J101J	CHIP R	100 J 1/16W	1	
R847		RK73HB1J470J	CHIP R	47 J 1/16W	1	
R848		RK73HB1J470J	CHIP R	47 J 1/16W	1	
R849		RK73HB1J101J	CHIP R	100 J 1/16W	1	
R850		RK73HB1J100J	CHIP R	10 J 1/16W	1	
R900		RK73HB1J222J	CHIP R	2.2K J 1/16W	1	R1
R901		RK73HB1J222J	CHIP R	2.2K J 1/16W	1	R1
R902		RK73HB1J2R2J	CHIP R	2.2 J 1/16W	1	R1
R903		RK73HB1J223J	CHIP R	22K J 1/16W	1	R1
R904		RK73HB1J223J	CHIP R	22K J 1/16W	1	R1
R905		RK73HB1J223J	CHIP R	22K J 1/16W	1	R1
R906		RK73HB1J223J	CHIP R	22K J 1/16W	1	R1
R907		RK73HB1J223J	CHIP R	22K J 1/16W	1	R1
R908		RK73HB1J223J	CHIP R	22K J 1/16W	1	R1
R909		RK73HB1J223J	CHIP R	22K J 1/16W	1	R1
R910		RK73HB1J223J	CHIP R	22K J 1/16W	1	R1
R911		RK73HB1J000J	CHIP R	0.0 J 1/16W	1	R1
R912		RK73HB1J000J	CHIP R	0.0 J 1/16W	1	R1
R913		RK73HB1J000J	CHIP R	0.0 J 1/16W	1	R1
R914		RK73HB1J000J	CHIP R	0.0 J 1/16W	1	R1
R915		RK73HB1J272J	CHIP R	2.7K J 1/16W	1	
R916		RK73HB1J000J	CHIP R	0.0 J 1/16W	1	
R918		RK73GB2A000J	CHIP R	0.0 J 1/10W 1608	1	
R919		RK73HB1J000J	CHIP R	0.0 J 1/16W	1	E2,K3,K2
R921		RK73HB1J101J	CHIP R	100 J 1/16W	1	E2,K3,K2
R922		RK73HB1J101J	CHIP R	100 J 1/16W	1	E2,K3,K2

MODEL	MARK	MODEL	MARK	MODEL	MARK	MODEL	MARK
DNX4210BT	E2	DNX5060EX	K3	DNX5190	K2	DNX6490BT	R1

Safe	Symbol No.	Parts No.	Parts Name	Description	QTY	Local
	R923	RK73HB1J101J	CHIP R	100 J 1/16W	1	E2,K3,K2
	R924	RK73HB1J223J	CHIP R	22K J 1/16W	1	E2,K3,K2
	R927	RK73GB2A000J	CHIP R	0.0 J 1/10W 1608	1	R1
	R928	RK73HB1J101J	CHIP R	100 J 1/16W	1	R1
	R929	RK73HB1J101J	CHIP R	100 J 1/16W	1	R1
	R930	RK73HB1J101J	CHIP R	100 J 1/16W	1	R1
	R931	RK73HB1J104J	CHIP R	100K J 1/16W	1	E2,K3,K2
	R932	RK73HB1J000J	CHIP R	0.0 J 1/16W	1	
	R933	RK73HB1J103J	CHIP R	10K J 1/16W	1	R1
	R934	RK73HB1J000J	CHIP R	0.0 J 1/16W	1	
	R936	RK73HB1J101J	CHIP R	100 J 1/16W	1	R1
	R939	RK73HB1J104J	CHIP R	100K J 1/16W	1	E2,K3,K2
	R941	RK73HB1J104J	CHIP R	100K J 1/16W	1	E2,K3,K2
	R942	RK73HB1J101J	CHIP R	100 J 1/16W	1	E2,K3,K2
	R943	RK73HB1J101J	CHIP R	100 J 1/16W	1	E2,K3,K2
	R945	RK73HB1J000J	CHIP R	0.0 J 1/16W	1	R1
	R950	RK73HB1J101J	CHIP R	100 J 1/16W	1	E2,K3,K2
	R950	RK73HB1J102J	CHIP R	1.0K J 1/16W	1	R1
	R951	RK73HB1J222J	CHIP R	2.2K J 1/16W	1	R1
	R952	RK73HB1J272J	CHIP R	2.7K J 1/16W	1	R1
	R953	RK73HB1J000J	CHIP R	0.0 J 1/16W	1	R1
	R955	RK73HB1J102J	CHIP R	1.0K J 1/16W	1	R1
	R956	RK73HB1J000J	CHIP R	0.0 J 1/16W	1	E2,K3,K2
	R957	RK73HB1J102J	CHIP R	1.0K J 1/16W	1	R1
	R958	RK73HB1J101J	CHIP R	100 J 1/16W	1	E2,K3,K2
	R959	RK73HB1J101J	CHIP R	100 J 1/16W	1	E2,K3,K2
	R961	RK73HB1J000J	CHIP R	0.0 J 1/16W	1	E2,K3,K2
	L31	L92-0374-05	CHIP FERRITE		1	
	L33	L33-2600-05	CHOKE COIL	10U 8.3x8.3	1	
	L52	L33-2600-05	CHOKE COIL	10U 8.3x8.3	1	
	L82	L33-2681-05	CHOKE COIL	#DDB966AS 10UH	1	
	L102	L33-2600-05	CHOKE COIL	10U 8.3x8.3	1	
	L151	L41-4792-62	SMALL FIXED INDUCTOR	4.7U	1	
	L171	L33-2440-05	SMALL FIXED INDUCTOR	33UH 6.0x6.0x4.5	1	
	L201	L92-0332-05	CHIP FERRITE		1	
	L202	L92-0332-05	CHIP FERRITE		1	
	L203	L41-4792-62	SMALL FIXED INDUCTOR	4.7U	1	
	L520	L92-0641-05	FERRITE CORE		1	
	L522	L92-0641-05	FERRITE CORE		1	
	L700	L41-1001-62	SMALL FIXED INDUCTOR	10U	1	
	L750	L33-2603-05	CHOKE COIL	22U 5.0x5.0	1	
	L751	L33-2457-05	SMALL FIXED INDUCTOR	10UH	1	
	L801	L33-2457-05	SMALL FIXED INDUCTOR	10UH	1	
	L802	L33-2603-05	CHOKE COIL	22U 5.0x5.0	1	
	L900	L92-0373-05	CHIP FERRITE		1	E2,K3,K2
	L901	L92-0373-05	CHIP FERRITE		1	
	L902	L92-0373-05	CHIP FERRITE		1	R1
	A560	W02-5441-05	ELECTRIC CIRCUIT MODULE(GPS)	GPS MODULE CCA-600	1	
	A900	W02-5519-05	ELECTRIC CIRCUIT MODULE(BT)	BTR601	1	E2,K3,K2
	A901	W02-5523-15	ELECTRIC CIRCUIT MODULE(BT)	FC6000 HOR_INT-A	1	R1
	CN101	E41-2980-05	FLAT CABLE CONNECTOR	STRAIGHT 60PIN	1	
	CN201	E41-2237-15	FLAT CABLE CONNECTOR	0.5 60P	1	
	CN202	E41-2248-05	PIN ASSY	8P 1MM SIDE	1	
	CN301	E41-3252-05	PIN ASSY	IMSA-9827B-70Y945	1	
	CN401	E41-2985-05	FLAT CABLE CONNECTOR	70PIN/FRONT LOCK	1	
	CN501	E41-2979-05	FLAT CABLE CONNECTOR	STRAIGHT 50PIN	1	
	CN521	E41-2673-05	PIN ASSY	4PIN TOP WHITE	1	
	CN522	E41-2359-05	PIN ASSY	4P 1MM TOP LF	1	
	CN580	E41-3288-05	FLAT CABLE CONNECTOR	14PIN AU	1	R1
	CN581	E41-3353-05	FLAT CABLE CONNECTOR	FFC 14PIN	1	R1
	CN601	E41-3254-05	SOCKET FOR PIN ASSY	IMSA-9827S-70Y919	1	
	CN801	E41-2264-05	PIN ASSY	4P 1MM SIDE	1	
	CN900	E41-3325-05	PIN ASSY	24R-JMCS-G-B-TF(NSA)	1	R1
	F801	F53-0321-15	FUSE 1.5A	1.5A/1608/8	1	
	F802	F53-0321-15	FUSE 1.5A	1.5A/1608/8	1	
	J400	E11-0625-05	PHONE JACK	LG Y6502-0900	1	
	J560	E58-1145-05	RECTANGULAR RECEPTACLE	GT5	1	
	J580	-	JACK(M DS)	E68-0833-05 Replacement can not	1	R1
	J660	E63-0980-05	PIN JACK	4P NI Y-Y-R-W	1	
	X201	L77-3846-05	CRYSTAL RESONATOR	12MHZ	1	
	X202	L77-2921-15	CRYSTAL RESONATOR	32.768KHZ 12.5PF	1	

DAUGHTER UNIT (X89-3102-71) <X89>

IC1	-	MICROPROCESSOR IC	557BALL BGA Repl can not	1	
IC3	TC7SG86FU-F	MOS-IC	TCC8801F-0AX	1	
IC4	THS8136PHP	MOS-IC	VIDEO DAC0-70DEG	1	

MODEL	MARK	MODEL	MARK	MODEL	MARK	MODEL	MARK
DNX4210BT	E2	DNX5060EX	K3	DNX5190	K2	DNX6490BT	R1

Safe	Symbol No.	Parts No.	Parts Name	Description	QTY	Local
	IC5	TC7SG04FU-F	MOS-IC		1	
	IC6	ML86V8202T03	MOS-IC		1	
	IC7	XC6223B181P-G	ANALOGUE IC	1.8V	1	
	IC8	XC6223B331P-G	ANALOGUE IC	3.3V	1	
	IC400	XC6220B121P-G	ANALOGUE IC	1.2V 1A	1	
	IC500	W10-0752-08	ROM IC	256MB 8BIT TC58NV1S3ETI0	1	
	IC501	-	DRAM IC	H5PS1G83ES5C Replacement	1	
	IC502	-	DRAM IC	H5PS1G83ES5C Replacement can not	1	
	IC503	-	DRAM IC	H5PS1G83ES5C Replacement can not	1	
	IC504	-	DRAM IC	H5PS1G83ES5C Replacement can not	1	
	IC505	XC6223B181P-G	ANALOGUE IC	1.8V	1	
	IC506	XC6223B181P-G	ANALOGUE IC	1.8V	1	
	IC700	TC7W08FU-F	MOS-IC		1	
	Q700	LTC014YEBFS8	TRANSISTOR	R2/R1:47K/10K NPN	1	
	Q701	LTC014YEBFS8	TRANSISTOR	R2/R1:47K/10K NPN	1	
	Q703	LSCR523EBFS8	TRANSISTOR		1	
	D10	GS1J-LTP-X	DIODE	GS1J-LTP-X	1	
	C1	CK73FB0J226M	CHIP C	22UF M	1	
	C4	CK73FB0J226M	CHIP C	22UF M	1	
	C5	CK73FB0J226M	CHIP C	22UF M	1	
	C8	CK73HB0J105K	CHIP C	6.3V 1.0UF K	1	
	C9	CK73HB0J105K	CHIP C	6.3V 1.0UF K	1	
	C10	CC73HCH1H100D	CHIP C	50V 10PF D	1	
	C11	CC73HCH1H100D	CHIP C	50V 10PF D	1	
	C13	CK73FB0J106K	CHIP C	6.3V 10UF K	1	
	C14	CK73HB1A104K	CHIP C	10V 0.10UF K	1	
	C15	CK73FB0J106K	CHIP C	6.3V 10UF K	1	
	C16	CK73HB1A104K	CHIP C	10V 0.10UF K	1	
	C17	CK73HB1A104K	CHIP C	10V 0.10UF K	1	
	C18	CK73HB1A104K	CHIP C	10V 0.10UF K	1	
	C19	CK73HB1A104K	CHIP C	10V 0.10UF K	1	
	C20	CK73HB0J105K	CHIP C	6.3V 1.0UF K	1	
	C21	CK73HB1H102K	CHIP C	50V 1000PF K	1	
	C22	CK73HB1A104K	CHIP C	10V 0.10UF K	1	
	C23	CK73HB1A104K	CHIP C	10V 0.10UF K	1	
	C24	CK73FB0J106K	CHIP C	6.3V 10UF K	1	
	C25	CK73HB1H102K	CHIP C	50V 1000PF K	1	
	C26	CK73HB1A104K	CHIP C	10V 0.10UF K	1	
	C27	CK73GB0J475K	CHIP C	6.3V 4.7UF K	1	
	C28	CK73HB1A104K	CHIP C	10V 0.10UF K	1	
	C29	CK73HB1H102K	CHIP C	50V 1000PF K	1	
	C30	CK73HB1A104K	CHIP C	10V 0.10UF K	1	
	C31	CK73HB0J474K	CHIP C	6.3V 0.47UF K	1	
	C32	CK73HB0J474K	CHIP C	6.3V 0.47UF K	1	
	C33	CK73HB1A104K	CHIP C	10V 0.10UF K	1	
	C34	CK73HB1A104K	CHIP C	10V 0.10UF K	1	
	C35	CK73HB1A104K	CHIP C	10V 0.10UF K	1	
	C36	CK73HB0J474K	CHIP C	6.3V 0.47UF K	1	
	C37	CK73HB1A104K	CHIP C	10V 0.10UF K	1	
	C38	CK73FB0J106K	CHIP C	6.3V 10UF K	1	
	C39	CK73HB1A104K	CHIP C	10V 0.10UF K	1	
	C40	CK73GB0J475K	CHIP C	6.3V 4.7UF K	1	
	C41	CK73HB1H102K	CHIP C	50V 1000PF K	1	
	C42	CK73HB1A104K	CHIP C	10V 0.10UF K	1	
	C43	CK73HB1A104K	CHIP C	10V 0.10UF K	1	
	C44	CK73FB0J106K	CHIP C	6.3V 10UF K	1	
	C45	CK73HB1A104K	CHIP C	10V 0.10UF K	1	
	C46	CK73HB1A104K	CHIP C	10V 0.10UF K	1	
	C47	CK73HB1A104K	CHIP C	10V 0.10UF K	1	
	C48	CK73HB1A104K	CHIP C	10V 0.10UF K	1	
	C49	CK73HB1A104K	CHIP C	10V 0.10UF K	1	
	C50	CK73HB1A104K	CHIP C	10V 0.10UF K	1	
	C51	CK73HB1A104K	CHIP C	10V 0.10UF K	1	
	C55	CK73HB0J105K	CHIP C	6.3V 1.0UF K	1	
	C56	CK73HB0J105K	CHIP C	6.3V 1.0UF K	1	
	C60	CK73HB1H102K	CHIP C	50V 1000PF K	1	
	C61	CK73HB1H102K	CHIP C	50V 1000PF K	1	
	C62	CK73HB1H102K	CHIP C	50V 1000PF K	1	
	C63	CK73HB1H102K	CHIP C	50V 1000PF K	1	
	C64	CK73HB1H102K	CHIP C	50V 1000PF K	1	
	C65	CK73HB1H102K	CHIP C	50V 1000PF K	1	
	C66	CK73HB1H102K	CHIP C	50V 1000PF K	1	
	C67	CK73HB1H102K	CHIP C	50V 1000PF K	1	
	C68	CK73HB1H102K	CHIP C	50V 1000PF K	1	
	C69	CK73HB1H102K	CHIP C	50V 1000PF K	1	
	C71	CK73FB0J226M	CHIP C	22UF M	1	
	C200	CK73HB1A104K	CHIP C	10V 0.10UF K	1	
	C201	CK73HB1A104K	CHIP C	10V 0.10UF K	1	
	C202	CK73HB1A104K	CHIP C	10V 0.10UF K	1	
	C203	CK73FB0J106K	CHIP C	6.3V 10UF K	1	
	C204	CK73HB1A104K	CHIP C	10V 0.10UF K	1	
	C205	CK73HB1A104K	CHIP C	10V 0.10UF K	1	
	C206	CK73HB1A104K	CHIP C	10V 0.10UF K	1	
	C207	CK73HB1E103K	CHIP C	25V 0.010UF K	1	
	C208	CK73FB0J106K	CHIP C	6.3V 10UF K	1	
	C209	CK73HB1A104K	CHIP C	10V 0.10UF K	1	
	C210	CK73HB1A104K	CHIP C	10V 0.10UF K	1	
	C211	CK73HB1A104K	CHIP C	10V 0.10UF K	1	
	C212	CK73HB1E103K	CHIP C	25V 0.010UF K	1	

MODEL	MARK	MODEL	MARK	MODEL	MARK	MODEL	MARK
DNX4210BT	E2	DNX5060EX	K3	DNX5190	K2	DNX6490BT	R1

Safe	Symbol No.	Parts No.	Parts Name	Description	QTY	Local
	C213	CK73HB1A104K	CHIP C	10V 0.10UF K	1	
	C215	CK73HB1A104K	CHIP C	10V 0.10UF K	1	
	C216	CK73HB1A104K	CHIP C	10V 0.10UF K	1	
	C217	CK73FB0J106K	CHIP C	6.3V 10UF K	1	
	C218	CK73HB1A104K	CHIP C	10V 0.10UF K	1	
	C219	CK73HB1A104K	CHIP C	10V 0.10UF K	1	
	C220	CK73HB1A104K	CHIP C	10V 0.10UF K	1	
	C221	CK73HB1E103K	CHIP C	25V 0.010UF K	1	
	C222	CK73HB1A104K	CHIP C	10V 0.10UF K	1	
	C224	CK73HB1A104K	CHIP C	10V 0.10UF K	1	
	C225	CK73FB0J106K	CHIP C	6.3V 10UF K	1	
	C226	CK73HB1A104K	CHIP C	10V 0.10UF K	1	
	C227	CK73HB1A104K	CHIP C	10V 0.10UF K	1	
	C228	CK73HB1A104K	CHIP C	10V 0.10UF K	1	
	C229	CK73HB1E103K	CHIP C	25V 0.010UF K	1	
	C230	CK73HB1A104K	CHIP C	10V 0.10UF K	1	
	C232	CK73HB1A104K	CHIP C	10V 0.10UF K	1	
	C233	CK73HB1A104K	CHIP C	10V 0.10UF K	1	
	C234	CK73FB0J106K	CHIP C	6.3V 10UF K	1	
	C235	CK73HB1A104K	CHIP C	10V 0.10UF K	1	
	C236	CK73HB1A104K	CHIP C	10V 0.10UF K	1	
	C237	CK73HB1A104K	CHIP C	10V 0.10UF K	1	
	C238	CK73HB1E103K	CHIP C	25V 0.010UF K	1	
	C239	CK73HB1A104K	CHIP C	10V 0.10UF K	1	
	C241	CK73HB1A104K	CHIP C	10V 0.10UF K	1	
	C242	CK73HB1A104K	CHIP C	10V 0.10UF K	1	
	C243	CK73HB1A104K	CHIP C	10V 0.10UF K	1	
	C244	CK73HB1A104K	CHIP C	10V 0.10UF K	1	
	C245	CK73FB0J106K	CHIP C	6.3V 10UF K	1	
	C246	CK73HB1A104K	CHIP C	10V 0.10UF K	1	
	C247	CK73HB1A104K	CHIP C	10V 0.10UF K	1	
	C248	CK73HB1A104K	CHIP C	10V 0.10UF K	1	
	C249	CK73HB1E103K	CHIP C	25V 0.010UF K	1	
	C250	CK73FB0J106K	CHIP C	6.3V 10UF K	1	
	C251	CK73HB1A104K	CHIP C	10V 0.10UF K	1	
	C252	CK73HB1A104K	CHIP C	10V 0.10UF K	1	
	C253	CK73HB1A104K	CHIP C	10V 0.10UF K	1	
	C254	CK73HB1E103K	CHIP C	25V 0.010UF K	1	
	C255	CK73HB1A104K	CHIP C	10V 0.10UF K	1	
	C256	CK73HB1A104K	CHIP C	10V 0.10UF K	1	
	C257	CK73HB1A104K	CHIP C	10V 0.10UF K	1	
	C258	CK73HB1A104K	CHIP C	10V 0.10UF K	1	
	C259	CK73HB1A104K	CHIP C	10V 0.10UF K	1	
	C260	CK73HB1A104K	CHIP C	10V 0.10UF K	1	
	C261	CK73HB1A104K	CHIP C	10V 0.10UF K	1	
	C262	CK73FB0J106K	CHIP C	6.3V 10UF K	1	
	C263	CK73HB1A104K	CHIP C	10V 0.10UF K	1	
	C264	CK73HB1A104K	CHIP C	10V 0.10UF K	1	
	C265	CK73HB1A104K	CHIP C	10V 0.10UF K	1	
	C266	CK73HB1E103K	CHIP C	25V 0.010UF K	1	
	C267	CK73HB1A104K	CHIP C	10V 0.10UF K	1	
	C268	CK73HB1A104K	CHIP C	10V 0.10UF K	1	
	C269	CK73FB0J106K	CHIP C	6.3V 10UF K	1	
	C270	CK73HB1A104K	CHIP C	10V 0.10UF K	1	
	C271	CK73HB1E103K	CHIP C	25V 0.010UF K	1	
	C273	CK73FB0J106K	CHIP C	6.3V 10UF K	1	
	C274	CK73FB0J106K	CHIP C	6.3V 10UF K	1	
	C275	CK73HB1A104K	CHIP C	10V 0.10UF K	1	
	C276	CK73HB1A104K	CHIP C	10V 0.10UF K	1	
	C277	CK73HB1E103K	CHIP C	25V 0.010UF K	1	
	C278	CK73HB1E103K	CHIP C	25V 0.010UF K	1	
	C279	CK73HB1A104K	CHIP C	10V 0.10UF K	1	
	C280	CK73HB1A104K	CHIP C	10V 0.10UF K	1	
	C281	CK73HB1A104K	CHIP C	10V 0.10UF K	1	
	C282	CK73HB1A104K	CHIP C	10V 0.10UF K	1	
	C283	CK73HB1A104K	CHIP C	10V 0.10UF K	1	
	C284	CK73HB1A104K	CHIP C	10V 0.10UF K	1	
	C285	CK73FB0J106K	CHIP C	6.3V 10UF K	1	
	C286	CK73HB1A104K	CHIP C	10V 0.10UF K	1	
	C287	CK73HB1A104K	CHIP C	10V 0.10UF K	1	
	C288	CK73HB1A104K	CHIP C	10V 0.10UF K	1	
	C289	CK73HB1E103K	CHIP C	25V 0.010UF K	1	
	C290	CK73HB1A104K	CHIP C	10V 0.10UF K	1	
	C291	CK73HB1A104K	CHIP C	10V 0.10UF K	1	
	C292	CK73FB0J106K	CHIP C	6.3V 10UF K	1	
	C293	CK73HB1A104K	CHIP C	10V 0.10UF K	1	
	C294	CK73HB1A104K	CHIP C	10V 0.10UF K	1	
	C295	CK73HB1A104K	CHIP C	10V 0.10UF K	1	
	C296	CK73HB1E103K	CHIP C	25V 0.010UF K	1	
	C297	CK73HB1A104K	CHIP C	10V 0.10UF K	1	
	C400	CK73HB0J105K	CHIP C	6.3V 1.0UF K	1	
	C420	CK73HB0J105K	CHIP C	6.3V 1.0UF K	1	
	C421	CK73HB0J105K	CHIP C	6.3V 1.0UF K	1	
	C422	CK73HB0J105K	CHIP C	6.3V 1.0UF K	1	
	C423	CK73FB0J226M	CHIP C	22UF M	1	
	C430	CK73FB0J226M	CHIP C	22UF M	1	
	C431	CK73FB0J226M	CHIP C	22UF M	1	
	C500	CK73FB0J106K	CHIP C	6.3V 10UF K	1	
	C501	CK73HB1A104K	CHIP C	10V 0.10UF K	1	
	C502	CK73HB1A104K	CHIP C	10V 0.10UF K	1	
	C503	CK73HB1A104K	CHIP C	10V 0.10UF K	1	
	C504	CK73HB1A104K	CHIP C	10V 0.10UF K	1	

MODEL	MARK	MODEL	MARK	MODEL	MARK	MODEL	MARK
DNX4210BT	E2	DNX5060EX	K3	DNX5190	K2	DNX6490BT	R1

Safe	Symbol No.	Parts No.	Parts Name	Description	QTY	Local
	C505	CK73HB1A104K	CHIP C	10V 0.10UF K	1	
	C508	CK73HB1E103K	CHIP C	25V 0.010UF K	1	
	C509	CK73HB1A104K	CHIP C	10V 0.10UF K	1	
	C510	CK73FB0J106K	CHIP C	6.3V 10UF K	1	
	C511	CK73HB1A104K	CHIP C	10V 0.10UF K	1	
	C512	CK73HB1A104K	CHIP C	10V 0.10UF K	1	
	C513	CK73HB1A104K	CHIP C	10V 0.10UF K	1	
	C514	CK73HB1A104K	CHIP C	10V 0.10UF K	1	
	C515	CK73HB1A104K	CHIP C	10V 0.10UF K	1	
	C516	CK73HB0J105K	CHIP C	6.3V 1.0UF K	1	
	C517	CK73HB0J105K	CHIP C	6.3V 1.0UF K	1	
	C518	CK73HB1A104K	CHIP C	10V 0.10UF K	1	
	C519	CK73HB1A104K	CHIP C	10V 0.10UF K	1	
	C520	CK73HB0J105K	CHIP C	6.3V 1.0UF K	1	
	C521	CK73HB0J105K	CHIP C	6.3V 1.0UF K	1	
	C522	CK73HB0J105K	CHIP C	6.3V 1.0UF K	1	
	C523	CK73HB0J105K	CHIP C	6.3V 1.0UF K	1	
	C524	CK73HB1A104K	CHIP C	10V 0.10UF K	1	
	C525	CK73HB1A104K	CHIP C	10V 0.10UF K	1	
	C526	CK73HB0J105K	CHIP C	6.3V 1.0UF K	1	
	C527	CK73HB0J105K	CHIP C	6.3V 1.0UF K	1	
	C528	CK73HB0J105K	CHIP C	6.3V 1.0UF K	1	
	C529	CK73HB0J105K	CHIP C	6.3V 1.0UF K	1	
	C530	CK73HB0J105K	CHIP C	6.3V 1.0UF K	1	
	C531	CK73HB0J105K	CHIP C	6.3V 1.0UF K	1	
	C532	CK73HB1A104K	CHIP C	10V 0.10UF K	1	
	C533	CK73HB1A104K	CHIP C	10V 0.10UF K	1	
	C534	CK73HB0J105K	CHIP C	6.3V 1.0UF K	1	
	C535	CK73HB0J105K	CHIP C	6.3V 1.0UF K	1	
	C536	CK73HB1A104K	CHIP C	10V 0.10UF K	1	
	C537	CK73HB1A104K	CHIP C	10V 0.10UF K	1	
	C538	CK73HB0J105K	CHIP C	6.3V 1.0UF K	1	
	C539	CK73HB0J105K	CHIP C	6.3V 1.0UF K	1	
	C540	CK73HB1A104K	CHIP C	10V 0.10UF K	1	
	C541	CK73HB1A104K	CHIP C	10V 0.10UF K	1	
	C542	CK73HB0J105K	CHIP C	6.3V 1.0UF K	1	
	C543	CK73HB0J105K	CHIP C	6.3V 1.0UF K	1	
	C544	CK73HB1A104K	CHIP C	10V 0.10UF K	1	
	C545	CK73HB1A104K	CHIP C	10V 0.10UF K	1	
	C546	CK73HB0J105K	CHIP C	6.3V 1.0UF K	1	
	C547	CK73HB0J105K	CHIP C	6.3V 1.0UF K	1	
	C548	CK73HB0J105K	CHIP C	6.3V 1.0UF K	1	
	C549	CK73HB0J105K	CHIP C	6.3V 1.0UF K	1	
	C550	CK73FB0J106K	CHIP C	6.3V 10UF K	1	
	C551	CK73FB0J106K	CHIP C	6.3V 10UF K	1	
	C552	CK73EB0J476M	CHIP C	6.3V 47UF M	1	
	C553	CK73EB0J476M	CHIP C	6.3V 47UF M	1	
	C554	CK73EB0J476M	CHIP C	6.3V 47UF M	1	
	C555	CK73EB0J476M	CHIP C	6.3V 47UF M	1	
	C556	CK73HB1A104K	CHIP C	10V 0.10UF K	1	
	C557	CK73HB1A104K	CHIP C	10V 0.10UF K	1	
	C558	CK73HB0J105K	CHIP C	6.3V 1.0UF K	1	
	C559	CK73HB1A104K	CHIP C	10V 0.10UF K	1	
	C560	CK73HB1A104K	CHIP C	10V 0.10UF K	1	
	C561	CK73HB0J105K	CHIP C	6.3V 1.0UF K	1	
	C562	CK73HB1A104K	CHIP C	10V 0.10UF K	1	
	C563	CK73HB1A104K	CHIP C	10V 0.10UF K	1	
	C564	CK73HB0J105K	CHIP C	6.3V 1.0UF K	1	
	C565	CK73HB0J105K	CHIP C	6.3V 1.0UF K	1	
	C566	CK73HB0J105K	CHIP C	6.3V 1.0UF K	1	
	C567	CK73HB0J105K	CHIP C	6.3V 1.0UF K	1	
	C568	CK73HB0J105K	CHIP C	6.3V 1.0UF K	1	
	C569	CK73HB1A104K	CHIP C	10V 0.10UF K	1	
	C570	CK73HB1A104K	CHIP C	10V 0.10UF K	1	
	C571	CK73HB0J105K	CHIP C	6.3V 1.0UF K	1	
	C572	CK73HB0J105K	CHIP C	6.3V 1.0UF K	1	
	C573	CK73HB0J105K	CHIP C	6.3V 1.0UF K	1	
	C574	CK73HB0J105K	CHIP C	6.3V 1.0UF K	1	
	C575	CK73HB0J105K	CHIP C	6.3V 1.0UF K	1	
	C576	CK73HB1A104K	CHIP C	10V 0.10UF K	1	
	C577	CK73HB1A104K	CHIP C	10V 0.10UF K	1	
	C578	CK73HB0J105K	CHIP C	6.3V 1.0UF K	1	
	C579	CK73HB0J105K	CHIP C	6.3V 1.0UF K	1	
	C580	CK73HB1A104K	CHIP C	10V 0.10UF K	1	
	C581	CK73HB1A104K	CHIP C	10V 0.10UF K	1	
	C582	CK73HB0J105K	CHIP C	6.3V 1.0UF K	1	
	C583	CK73HB0J105K	CHIP C	6.3V 1.0UF K	1	
	C584	CK73HB0J105K	CHIP C	6.3V 1.0UF K	1	
	C585	CK73HB1A104K	CHIP C	10V 0.10UF K	1	
	C586	CK73HB1A104K	CHIP C	10V 0.10UF K	1	
	C587	CK73HB0J105K	CHIP C	6.3V 1.0UF K	1	
	C588	CK73HB1A104K	CHIP C	10V 0.10UF K	1	
	C589	CK73HB1A104K	CHIP C	10V 0.10UF K	1	
	C590	CK73HB0J105K	CHIP C	6.3V 1.0UF K	1	
	C591	CK73HB0J105K	CHIP C	6.3V 1.0UF K	1	
	C700	CC73HCH1H470J	CHIP C	50V 47PF J	1	
	C701	CC73HCH1H820J	CHIP C	50V 82PF J	1	
	C702	CC73HCH1H820J	CHIP C	50V 82PF J	1	
	C703	CC73HCH1H470J	CHIP C	50V 47PF J	1	
	C704	CC73HCH1H470J	CHIP C	50V 47PF J	1	
	C705	CC73HCH1H470J	CHIP C	50V 47PF J	1	
	C706	CK73HB1A104K	CHIP C	10V 0.10UF K	1	
	C707	CK73HB1E103K	CHIP C	25V 0.010UF K	1	

MODEL	MARK	MODEL	MARK	MODEL	MARK	MODEL	MARK
DNX4210BT	E2	DNX5060EX	K3	DNX5190	K2	DNX6490BT	R1

Safe	Symbol No.	Parts No.	Parts Name	Description	QTY	Local
	C709	CC73HCH1H220J	CHIP C	50V 22PF J	1	
	C710	CC73HCH1H220J	CHIP C	50V 22PF J	1	
	C711	CC73HCH1H150J	CHIP C	50V 15PF J	1	
	C712	CC73HCH1H050C	CHIP C	50V 5.0PF C	1	
	C713	CK73HB1E103K	CHIP C	25V 0.010UF K	1	
	C714	CK73HB1E103K	CHIP C	25V 0.010UF K	1	
	C717	CK73HB1E103K	CHIP C	25V 0.010UF K	1	
	C719	CK73HB1E103K	CHIP C	25V 0.010UF K	1	
	C918	CK73HB1A104K	CHIP C	10V 0.10UF K	1	
	C919	CK73HB0J105K	CHIP C	6.3V 1.0UF K	1	
	C920	CK73FB0J106K	CHIP C	6.3V 10UF K	1	
	C933	CK73HB1H102K	CHIP C	50V 1000PF K	1	
	C934	CK73HB1H102K	CHIP C	50V 1000PF K	1	
	R2	RK73GB2A000J	CHIP R	0.0 J 1/10W 1608	1	
	R9	RK73GB2A000J	CHIP R	0.0 J 1/10W 1608	1	
	R11	RK73HB1J000J	CHIP R	0.0 J 1/16W	1	
	R12	RK73HB1J000J	CHIP R	0.0 J 1/16W	1	
	R13	RK73HB1J220J	CHIP R	22 J 1/16W	1	
	R14	RK73HB1J821J	CHIP R	820 J 1/16W	1	
	R15	RK73HB1J223J	CHIP R	22K J 1/16W	1	
	R16	RK73HB1J105J	CHIP R	1.0M J 1/16W	1	
	R17	RK73GB2A331J	CHIP R	330 J 1/10W	1	
	R18	RK73HB1J101J	CHIP R	100 J 1/16W	1	
	R19	RK73HB1J111J	CHIP R	110 J 1/16W	1	
	R20	RK73HH1J430D	CHIP R	43 D 1/16W	1	
	R21	RK73HB1J223J	CHIP R	22K J 1/16W	1	
	R22	RK73HB1J103J	CHIP R	10K J 1/16W	1	
	R28	RK73GH2A362D	CHIP R	3.6K D 1/10W	1	
	R30	RK73HB1J223J	CHIP R	22K J 1/16W	1	
	R31	RK73HB1J223J	CHIP R	22K J 1/16W	1	
	R32	RK73GH2A201D	CHIP R	200 D 1/10W	1	
	R33	RK73HB1J100J	CHIP R	10 J 1/16W	1	
	R38	RK73HH1J750D	CHIP R	75 D 1/16W	1	
	R39	RK73HH1J750D	CHIP R	75 D 1/16W	1	
	R40	RK73HB1J103J	CHIP R	10K J 1/16W	1	
	R43	RK73HH1J750D	CHIP R	75 D 1/16W	1	
	R44	RK73HB1J000J	CHIP R	0.0 J 1/16W	1	
	R45	RK73HB1J000J	CHIP R	0.0 J 1/16W	1	
	R46	RK73HB1J000J	CHIP R	0.0 J 1/16W	1	
	R47	RK73GB2A000J	CHIP R	0.0 J 1/10W 1608	1	
	R48	RK73GB2A000J	CHIP R	0.0 J 1/10W 1608	1	
	R49	RK73GB2A000J	CHIP R	0.0 J 1/10W 1608	1	
	R53	RK73HB1J680J	CHIP R	68 J 1/16W	1	
	R54	RK73HB1J103J	CHIP R	10K J 1/16W	1	
	R56	RK73HB1J103J	CHIP R	10K J 1/16W	1	E2,K3,K2
	R58	RK73HH1J122D	CHIP R	1.2K D 1/16W	1	
	R60	RK73HB1J220J	CHIP R	22 J 1/16W	1	
	R61	RK73HB1J220J	CHIP R	22 J 1/16W	1	
	R62	RK73HB1J220J	CHIP R	22 J 1/16W	1	
	R63	RK73HB1J220J	CHIP R	22 J 1/16W	1	
	R65	RK73HB1J272J	CHIP R	2.7K J 1/16W	1	
	R66	RK73HB1J272J	CHIP R	2.7K J 1/16W	1	R1
	R67	RK73HB1J220J	CHIP R	22 J 1/16W	1	
	R68	RK73HB1J000J	CHIP R	0.0 J 1/16W	1	
	R69	RK73HB1J000J	CHIP R	0.0 J 1/16W	1	
	R70	RK73HB1J000J	CHIP R	0.0 J 1/16W	1	
	R80	RK73GB2A000J	CHIP R	0.0 J 1/10W 1608	1	
	R81	RK73HB1J000J	CHIP R	0.0 J 1/16W	1	
	R82	RK73HB1J000J	CHIP R	0.0 J 1/16W	1	
	R83	RK73HB1J151J	CHIP R	150 J 1/16W	1	
	R84	RK73FB2B101J	CHIP R	100 J 1/8W	1	
	R85	RK73GB2A000J	CHIP R	0.0 J 1/10W 1608	1	
	R86	RK73GB2A000J	CHIP R	0.0 J 1/10W 1608	1	
	R87	RK73GB2A000J	CHIP R	0.0 J 1/10W 1608	1	
	R317	RK73HB1J000J	CHIP R	0.0 J 1/16W	1	
	R318	RK73HB1J000J	CHIP R	0.0 J 1/16W	1	
	R330	RK73HB1J000J	CHIP R	0.0 J 1/16W	1	
	R331	RK73HB1J000J	CHIP R	0.0 J 1/16W	1	
	R400	RK73HB1J223J	CHIP R	22K J 1/16W	1	
	R402	RK73HB1J473J	CHIP R	47K J 1/16W	1	
	R403	RK73HB1J473J	CHIP R	47K J 1/16W	1	
	R404	RK73HB1J272J	CHIP R	2.7K J 1/16W	1	
	R405	RK73HB1J473J	CHIP R	47K J 1/16W	1	
	R410	RK73GB2A000J	CHIP R	0.0 J 1/10W 1608	1	
	R411	RK73HB1J151J	CHIP R	150 J 1/16W	1	
	R412	RK73GB2A000J	CHIP R	0.0 J 1/10W 1608	1	
	R500	RK73HB1J332J	CHIP R	3.3K J 1/16W	1	
	R501	RK73HB1J220J	CHIP R	22 J 1/16W	1	
	R502	RK73HB1J220J	CHIP R	22 J 1/16W	1	
	R503	RK73HB1J220J	CHIP R	22 J 1/16W	1	
	R504	RK73HB1J220J	CHIP R	22 J 1/16W	1	
	R505	RK73HB1J220J	CHIP R	22 J 1/16W	1	
	R506	RK73HB1J220J	CHIP R	22 J 1/16W	1	
	R507	RK73HB1J220J	CHIP R	22 J 1/16W	1	
	R508	RK73HB1J220J	CHIP R	22 J 1/16W	1	
	R509	RK73HB1J272J	CHIP R	2.7K J 1/16W	1	
	R510	RK73HB1J220J	CHIP R	22 J 1/16W	1	
	R511	RK73HB1J220J	CHIP R	22 J 1/16W	1	
	R512	RK73HB1J220J	CHIP R	22 J 1/16W	1	
	R513	RK73HB1J220J	CHIP R	22 J 1/16W	1	
	R514	RK73HB1J272J	CHIP R	2.7K J 1/16W	1	
	R515	RK73HB1J220J	CHIP R	22 J 1/16W	1	

MODEL	MARK	MODEL	MARK	MODEL	MARK	MODEL	MARK
DNX4210BT	E2	DNX5060EX	K3	DNX5190	K2	DNX6490BT	R1

Safe	Symbol No.	Parts No.	Parts Name	Description	QTY	Local
R516		RK73HB1J220J	CHIP R	22 J 1/16W	1	
R517		RK73HB1J220J	CHIP R	22 J 1/16W	1	
R518		RK73HB1J220J	CHIP R	22 J 1/16W	1	
R519		RK73HB1J220J	CHIP R	22 J 1/16W	1	
R520		RK73HB1J220J	CHIP R	22 J 1/16W	1	
R521		RK73HB1J220J	CHIP R	22 J 1/16W	1	
R522		RK73HB1J220J	CHIP R	22 J 1/16W	1	
R523		RK73HB1J220J	CHIP R	22 J 1/16W	1	
R524		RK73HB1J220J	CHIP R	22 J 1/16W	1	
R525		RK73HB1J220J	CHIP R	22 J 1/16W	1	
R526		RK73HB1J220J	CHIP R	22 J 1/16W	1	
R527		RK73HB1J101J	CHIP R	100 J 1/16W	1	
R528		RK73HB1J220J	CHIP R	22 J 1/16W	1	
R529		RK73HB1J220J	CHIP R	22 J 1/16W	1	
R530		RK73HB1J220J	CHIP R	22 J 1/16W	1	
R531		RK73HB1J220J	CHIP R	22 J 1/16W	1	
R532		RK73HB1J220J	CHIP R	22 J 1/16W	1	
R533		RK73HB1J220J	CHIP R	22 J 1/16W	1	
R534		RK73HB1J220J	CHIP R	22 J 1/16W	1	
R535		RK73HB1J220J	CHIP R	22 J 1/16W	1	
R536		RK73HB1J220J	CHIP R	22 J 1/16W	1	
R537		RK73HB1J220J	CHIP R	22 J 1/16W	1	
R538		RK73HB1J220J	CHIP R	22 J 1/16W	1	
R539		RK73HB1J220J	CHIP R	22 J 1/16W	1	
R540		RK73HB1J220J	CHIP R	22 J 1/16W	1	
R541		RK73HB1J330J	CHIP R	33 J 1/16W	1	
R542		RK73HB1J220J	CHIP R	22 J 1/16W	1	
R543		RK73HB1J000J	CHIP R	0.0 J 1/16W	1	
R544		RK73HB1J220J	CHIP R	22 J 1/16W	1	
R545		RK73HB1J220J	CHIP R	22 J 1/16W	1	
R546		RK73HB1J220J	CHIP R	22 J 1/16W	1	
R547		RK73HB1J220J	CHIP R	22 J 1/16W	1	
R548		RK73HB1J220J	CHIP R	22 J 1/16W	1	
R549		RK73HB1J220J	CHIP R	22 J 1/16W	1	
R550		RK73HB1J220J	CHIP R	22 J 1/16W	1	
R551		RK73HB1J220J	CHIP R	22 J 1/16W	1	
R552		RK73HB1J220J	CHIP R	22 J 1/16W	1	
R553		RK73HB1J220J	CHIP R	22 J 1/16W	1	
R554		RK73HB1J220J	CHIP R	22 J 1/16W	1	
R555		RK73HB1J220J	CHIP R	22 J 1/16W	1	
R556		RK73HB1J000J	CHIP R	0.0 J 1/16W	1	
R557		RK73HB1J000J	CHIP R	0.0 J 1/16W	1	
R558		RK73HB1J220J	CHIP R	22 J 1/16W	1	
R559		RK73HB1J220J	CHIP R	22 J 1/16W	1	
R560		RK73HB1J220J	CHIP R	22 J 1/16W	1	
R561		RK73HB1J220J	CHIP R	22 J 1/16W	1	
R562		RK73HB1J220J	CHIP R	22 J 1/16W	1	
R563		RK73HB1J220J	CHIP R	22 J 1/16W	1	
R564		RK73HB1J000J	CHIP R	0.0 J 1/16W	1	
R565		RK73HB1J000J	CHIP R	0.0 J 1/16W	1	
R566		RK73HB1J220J	CHIP R	22 J 1/16W	1	
R567		RK73HB1J220J	CHIP R	22 J 1/16W	1	
R568		RK73HB1J220J	CHIP R	22 J 1/16W	1	
R569		RK73HB1J241D	CHIP R	240 D 1/16W	1	
R570		RK73HB1J103J	CHIP R	10K J 1/16W	1	
R571		RK73HB1J103D	CHIP R	10K D 1/16W	1	
R572		RK73HB1J103D	CHIP R	10K D 1/16W	1	
R573		RK73HB1J103D	CHIP R	10K D 1/16W	1	
R574		RK73HB1J103D	CHIP R	10K D 1/16W	1	
R575		RK73HB1J272J	CHIP R	2.7K J 1/16W	1	
R577		RK73HB1J220J	CHIP R	22 J 1/16W	1	
R578		RK73HB1J220J	CHIP R	22 J 1/16W	1	
R579		RK73HB1J220J	CHIP R	22 J 1/16W	1	
R580		RK73HB1J220J	CHIP R	22 J 1/16W	1	
R581		RK73HB1J220J	CHIP R	22 J 1/16W	1	
R582		RK73HB1J220J	CHIP R	22 J 1/16W	1	
R583		RK73HB1J220J	CHIP R	22 J 1/16W	1	
R584		RK73HB1J220J	CHIP R	22 J 1/16W	1	
R585		RK73HB1J220J	CHIP R	22 J 1/16W	1	
R586		RK73HB1J220J	CHIP R	22 J 1/16W	1	
R587		RK73HB1J220J	CHIP R	22 J 1/16W	1	
R588		RK73HB1J220J	CHIP R	22 J 1/16W	1	
R589		RK73HB1J220J	CHIP R	22 J 1/16W	1	
R590		RK73HB1J220J	CHIP R	22 J 1/16W	1	
R591		RK73HB1J220J	CHIP R	22 J 1/16W	1	
R592		RK73HB1J220J	CHIP R	22 J 1/16W	1	
R593		RK73HB1J101J	CHIP R	100 J 1/16W	1	
R594		RK73HB1J220J	CHIP R	22 J 1/16W	1	
R595		RK73HB1J220J	CHIP R	22 J 1/16W	1	
R596		RK73HB1J220J	CHIP R	22 J 1/16W	1	
R597		RK73HB1J220J	CHIP R	22 J 1/16W	1	
R598		RK73HB1J220J	CHIP R	22 J 1/16W	1	
R599		RK73HB1J220J	CHIP R	22 J 1/16W	1	
R602		RK73HB1J103J	CHIP R	10K J 1/16W	1	
R603		RK73HB1J472J	CHIP R	4.7K J 1/16W	1	
R604		RK73HB1J272J	CHIP R	2.7K J 1/16W	1	
R700		RK73HB1J220J	CHIP R	22 J 1/16W	1	
R701		RK73HB1J470J	CHIP R	47 J 1/16W	1	
R703		RK73HB1J223J	CHIP R	22K J 1/16W	1	
R704		RK73HB1J223J	CHIP R	22K J 1/16W	1	
R708		RK73HB1J220J	CHIP R	22 J 1/16W	1	
R709		RK73HB1J272J	CHIP R	2.7K J 1/16W	1	

MODEL	MARK	MODEL	MARK	MODEL	MARK	MODEL	MARK
DNX4210BT	E2	DNX5060EX	K3	DNX5190	K2	DNX6490BT	R1

Safe	Symbol No.	Parts No.	Parts Name	Description	QTY	Local
R710		RK73HB1J272J	CHIP R	2.7K J 1/16W	1	
R711		RK73HB1J272J	CHIP R	2.7K J 1/16W	1	
R712		RK73HB1J272J	CHIP R	2.7K J 1/16W	1	
R713		RK73HB1J272J	CHIP R	2.7K J 1/16W	1	
R714		RK73HB1J223J	CHIP R	22K J 1/16W	1	
R716		RK73HB1J220J	CHIP R	22 J 1/16W	1	
R717		RK73HB1J220J	CHIP R	22 J 1/16W	1	
R718		RK73HB1J223J	CHIP R	22K J 1/16W	1	
R719		RK73HB1J223J	CHIP R	22K J 1/16W	1	
R720		RK73HB1J272J	CHIP R	2.7K J 1/16W	1	
R721		RK73HB1J220J	CHIP R	22 J 1/16W	1	
R722		RK73HB1J220J	CHIP R	22 J 1/16W	1	
R727		RK73HB1J220J	CHIP R	22 J 1/16W	1	
R728		RK73HB1J220J	CHIP R	22 J 1/16W	1	
R729		RK73HB1J220J	CHIP R	22 J 1/16W	1	
R730		RK73HB1J220J	CHIP R	22 J 1/16W	1	
R731		RK73HB1J220J	CHIP R	22 J 1/16W	1	
R732		RK73HB1J220J	CHIP R	22 J 1/16W	1	
R733		RK73HB1J220J	CHIP R	22 J 1/16W	1	
R736		RK73HB1J220J	CHIP R	22 J 1/16W	1	
R737		RK73HB1J220J	CHIP R	22 J 1/16W	1	
R738		RK73HB1J101J	CHIP R	100 J 1/16W	1	
R739		RK73HB1J101J	CHIP R	100 J 1/16W	1	
R740		RK73HB1J101J	CHIP R	100 J 1/16W	1	
R741		RK73HB1J220J	CHIP R	22 J 1/16W	1	
R742		RK73HB1J220J	CHIP R	22 J 1/16W	1	
R743		RK73HB1J220J	CHIP R	22 J 1/16W	1	
R744		RK73HB1J220J	CHIP R	22 J 1/16W	1	
R745		RK73HB1J220J	CHIP R	22 J 1/16W	1	
R746		RK73HB1J220J	CHIP R	22 J 1/16W	1	
R747		RK73HB1J220J	CHIP R	22 J 1/16W	1	
R750		RK73HB1J220J	CHIP R	22 J 1/16W	1	
R751		RK73HB1J220J	CHIP R	22 J 1/16W	1	
R754		RK73HB1J220J	CHIP R	22 J 1/16W	1	
R758		RK73HB1J101J	CHIP R	100 J 1/16W	1	
R759		RK73HB1J101J	CHIP R	100 J 1/16W	1	
R760		RK73HB1J101J	CHIP R	100 J 1/16W	1	
R761		RK73HB1J220J	CHIP R	22 J 1/16W	1	
R762		RK73HB1J220J	CHIP R	22 J 1/16W	1	
R767		RK73HB1J220J	CHIP R	22 J 1/16W	1	
R768		RK73HB1J220J	CHIP R	22 J 1/16W	1	
R769		RK73HB1J220J	CHIP R	22 J 1/16W	1	
R770		RK73HB1J220J	CHIP R	22 J 1/16W	1	
R771		RK73HB1J103J	CHIP R	10K J 1/16W	1	
R775		RK73HH1J44R2D	CHIP R	44.2 D 1/16W	1	
R776		RK73HH1J44R2D	CHIP R	44.2 D 1/16W	1	
R777		RK73HB1J472J	CHIP R	4.7K J 1/16W	1	
R778		RK73HB1J472J	CHIP R	4.7K J 1/16W	1	
R779		RK73HB1J472J	CHIP R	4.7K J 1/16W	1	
R781		RK73HB1J222J	CHIP R	2.2K J 1/16W	1	
R782		RK73HB1J222J	CHIP R	2.2K J 1/16W	1	
R784		RK73HB1J220J	CHIP R	22 J 1/16W	1	
R789		RK73HB1J222J	CHIP R	2.2K J 1/16W	1	
R790		RK73GB2A106J	CHIP R	10M J 1/10W	1	
R791		RK73HB1J334J	CHIP R	330K J 1/16W	1	
R792		RK73HB1J182J	CHIP R	1.8K J 1/16W	1	
R793		RK73HB1J182J	CHIP R	1.8K J 1/16W	1	
R794		RK73HB1J223J	CHIP R	22K J 1/16W	1	
R795		RK73HB1J223J	CHIP R	22K J 1/16W	1	
R796		RK73HB1J223J	CHIP R	22K J 1/16W	1	
R799		RK73HB1J105J	CHIP R	1.0M J 1/16W	1	
R800		RK73HB1J000J	CHIP R	0.0 J 1/16W	1	
R801		RK73HB1J102J	CHIP R	1.0K J 1/16W	1	
R804		RK73HB1J102J	CHIP R	1.0K J 1/16W	1	
R806		RK73HB1J102J	CHIP R	1.0K J 1/16W	1	
R807		RK73HB1J103J	CHIP R	10K J 1/16W	1	
R808		RK73HB1J223J	CHIP R	22K J 1/16W	1	
R809		RK73HB1J220J	CHIP R	22 J 1/16W	1	
R810		RK73HB1J223J	CHIP R	22K J 1/16W	1	
R811		RK73HB1J220J	CHIP R	22 J 1/16W	1	
R812		RK73HB1J473J	CHIP R	47K J 1/16W	1	
R813		RK73HB1J220J	CHIP R	22 J 1/16W	1	
R814		RK73HB1J222J	CHIP R	2.2K J 1/16W	1	
R817		RK73HB1J220J	CHIP R	22 J 1/16W	1	
R818		RK73HB1J220J	CHIP R	22 J 1/16W	1	
R820		RK73HB1J220J	CHIP R	22 J 1/16W	1	
R823		RK73HB1J220J	CHIP R	22 J 1/16W	1	
R824		RK73HB1J222J	CHIP R	2.2K J 1/16W	1	
R827		RK73HB1J220J	CHIP R	22 J 1/16W	1	
R828		RK73HB1J220J	CHIP R	22 J 1/16W	1	
R829		RK73HB1J220J	CHIP R	22 J 1/16W	1	
R830		RK73HB1J220J	CHIP R	22 J 1/16W	1	
R831		RK73HB1J220J	CHIP R	22 J 1/16W	1	
R832		RK73HB1J220J	CHIP R	22 J 1/16W	1	
R833		RK73HB1J473J	CHIP R	47K J 1/16W	1	
R834		RK73HB1J220J	CHIP R	22 J 1/16W	1	
R835		RK73HB1J220J	CHIP R	22 J 1/16W	1	
R836		RK73HB1J220J	CHIP R	22 J 1/16W	1	
R837		RK73HB1J220J	CHIP R	22 J 1/16W	1	
R840		RK73HB1J272J	CHIP R	2.7K J 1/16W	1	
R841		RK73HB1J102J	CHIP R	1.0K J 1/16W	1	
R842		RK73HB1J102J	CHIP R	1.0K J 1/16W	1	
R843		RK73HB1J220J	CHIP R	22 J 1/16W	1	

MODEL	MARK	MODEL	MARK	MODEL	MARK	MODEL	MARK
DNX4210BT	E2	DNX5060EX	K3	DNX5190	K2	DNX6490BT	R1

Safe	Symbol No.	Parts No.	Parts Name	Description	QTY	Local
	R844	RK73HB1J220J	CHIP R	22 J 1/16W	1	
	R846	RK73HB1J220J	CHIP R	22 J 1/16W	1	
	R847	RK73HB1J220J	CHIP R	22 J 1/16W	1	
	R848	RK73HB1J223J	CHIP R	22K J 1/16W	1	
	R849	RK73HB1J220J	CHIP R	22 J 1/16W	1	
	R850	RK73HB1J220J	CHIP R	22 J 1/16W	1	
	R851	RK73HB1J101J	CHIP R	100 J 1/16W	1	
	R852	RK73HB1J223J	CHIP R	22K J 1/16W	1	
	R853	RK73HB1J220J	CHIP R	22 J 1/16W	1	
	R870	RK73HB1J272J	CHIP R	2.7K J 1/16W	1	
	R901	RK73HB1J220J	CHIP R	22 J 1/16W	1	
	R910	RK73HB1J272J	CHIP R	2.7K J 1/16W	1	
	R925	RK73HB1J473J	CHIP R	47K J 1/16W	1	
	R936	RK73HB1J000J	CHIP R	0.0 J 1/16W	1	
	R937	RK73HB1J000J	CHIP R	0.0 J 1/16W	1	
	R938	RK73GB2A000J	CHIP R	0.0 J 1/10W 1608	1	
	R939	RK73HB1J000J	CHIP R	0.0 J 1/16W	1	
	R940	RK73HB1J000J	CHIP R	0.0 J 1/16W	1	
	R946	RK73HB1J220J	CHIP R	22 J 1/16W	1	
	R947	RK73HB1J220J	CHIP R	22 J 1/16W	1	
	R948	RK73GB2A000J	CHIP R	0.0 J 1/10W 1608	1	
	R950	RK73HB1J223J	CHIP R	22K J 1/16W	1	
	R951	RK73HB1J272J	CHIP R	2.7K J 1/16W	1	
	L2	L92-0373-05	CHIP FERRITE		1	
	L3	L92-0373-05	CHIP FERRITE		1	
	L5	L92-0373-05	CHIP FERRITE		1	
	L10	L92-0373-05	CHIP FERRITE		1	
	L200	L92-0373-05	CHIP FERRITE		1	
	L202	L92-0373-05	CHIP FERRITE		1	
	L203	L92-0373-05	CHIP FERRITE		1	
	L204	L92-0373-05	CHIP FERRITE		1	
	L205	L92-0373-05	CHIP FERRITE		1	
	L206	L92-0373-05	CHIP FERRITE		1	
	L207	L92-0373-05	CHIP FERRITE		1	
	L208	L92-0373-05	CHIP FERRITE		1	
	L209	L92-0373-05	CHIP FERRITE		1	
	L211	L92-0373-05	CHIP FERRITE		1	
	L212	L92-0373-05	CHIP FERRITE		1	
	L213	L92-0373-05	CHIP FERRITE		1	
	L215	L92-0373-05	CHIP FERRITE		1	
	L400	L92-0373-05	CHIP FERRITE		1	
	L500	L92-0373-05	CHIP FERRITE		1	
	L501	L92-0373-05	CHIP FERRITE		1	
	L502	L92-0373-05	CHIP FERRITE		1	
	L503	L92-0373-05	CHIP FERRITE		1	
	L504	L92-0373-05	CHIP FERRITE		1	
	L700	L92-0373-05	CHIP FERRITE		1	
	L901	L92-0373-05	CHIP FERRITE		1	
	L904	L92-1001-05	CHIP FERRITE		1	
	CN101	E41-2237-15	FLAT CABLE CONNECTOR	0.5 60P	1	
	CN400	E41-2603-05	FLAT CABLE CONNECTOR	0.5/50P/DOWN/SN	1	
	CN601	E41-3252-05	PIN ASSY	IMSA-9827B-70Y945	1	
	CN901	E41-2839-05	PIN ASSY	10PIN	1	
	CP1	RK74HB1J101J	CHIP-COM	100 J 1/16W	1	
	CP2	RK74HB1J101J	CHIP-COM	100 J 1/16W	1	
	CP3	RK74HB1J220J	CHIP-COM	22 J 1/16W	1	
	CP4	RK74HB1J220J	CHIP-COM	22 J 1/16W	1	
	CP5	RK74HB1J220J	CHIP-COM	22 J 1/16W	1	
	CP6	RK74HB1J220J	CHIP-COM	22 J 1/16W	1	
	CP7	RK74HB1J220J	CHIP-COM	22 J 1/16W	1	
	CP8	RK74HB1J220J	CHIP-COM	22 J 1/16W	1	
	CP400	RK74HB1J473J	CHIP-COM	47K J 1/16W	1	
	CP501	RK74HB1J220J	CHIP-COM	22 J 1/16W	1	
	CP502	RK74HB1J220J	CHIP-COM	22 J 1/16W	1	
	CP503	RK74HB1J220J	CHIP-COM	22 J 1/16W	1	
	CP504	RK74HB1J220J	CHIP-COM	22 J 1/16W	1	
	CP505	RK74HB1J220J	CHIP-COM	22 J 1/16W	1	
	CP506	RK74HB1J220J	CHIP-COM	22 J 1/16W	1	
	CP507	RK74HB1J220J	CHIP-COM	22 J 1/16W	1	
	CP508	RK74HB1J220J	CHIP-COM	22 J 1/16W	1	
	CP700	RK74HB1J220J	CHIP-COM	22 J 1/16W	1	
	CP900	RK74HB1J473J	CHIP-COM	47K J 1/16W	1	
	J900	-	JACK(M CD)	E68-0832-05 Replacement can not	1	
	X1	L77-3876-05	CRYSTAL RESONATOR	32MHZ 50PPM	1	
	X700	L77-2921-15	CRYSTAL RESONATOR	32.768KHZ 12.5PF	1	
	X701	L77-3873-05	CRYSTAL RESONATOR	12.000MHZ	1	
ELECTRIC UNIT (X34-724x-xx) <X34>						
	IC31	LV5680P	IC		1	
	IC201	TB2926HQ	IC		1	
	IC301	E-TDA7415CB	ANALOGUE IC		1	
	IC351	AN15863UA-VB	ANALOGUE IC		1	
	IC552	TC7SET32FU-F	MOS-IC		1	K3,K2
	IC601	-	MOS-IC	SI4706-D50 Replacement can not	1	E2,R1
	IC602	XC6201P332PR	ANALOGUE IC	3.3V/500MW/SOT-89	1	E2,R1
	IC741	E-TDA7478AD	ANALOGUE IC		1	
	Q100	LTC024EUBFS8	TRANSISTOR	R2/R1:22K/22K NPN	1	
	Q110	LTA014YUBFS8	TRANSISTOR	R2/R1:47K/10K PNP	1	
	Q111	LSCR523UBFS8	TRANSISTOR		1	

MODEL	MARK	MODEL	MARK	MODEL	MARK	MODEL	MARK
DNX4210BT	E2	DNX5060EX	K3	DNX5190	K2	DNX6490BT	R1

Safe	Symbol No.	Parts No.	Parts Name	Description	QTY	Local
	Q112	LSCR523UBFS8	TRANSISTOR		1	
	Q140	LTC024EUBFS8	TRANSISTOR	R2/R1:22K/22K NPN	1	
	Q150	LSCR523UBFS8	TRANSISTOR		1	
	Q301	LTA014EEBFS8	TRANSISTOR	R2/R1:10K/10K PNP	1	
	Q302	LTC043TUBFS8	TRANSISTOR	R2/R1:-/4.7K NPN	1	
	Q303	LTC043TUBFS8	TRANSISTOR	R2/R1:-/4.7K NPN	1	
	Q400	LTC043TUBFS8	TRANSISTOR	R2/R1:-/4.7K NPN	1	
	Q401	LTC043TUBFS8	TRANSISTOR	R2/R1:-/4.7K NPN	1	
	Q402	LTA043ZUBFS8	TRANSISTOR	R2/R1:47K/4.7K PNP	1	
	Q403	LTC014YUBFS8	TRANSISTOR	R2/R1:47K/10K NPN	1	
	Q404	LTC043TUBFS8	TRANSISTOR	R2/R1:-/4.7K NPN	1	
	Q405	LTC043TUBFS8	TRANSISTOR	R2/R1:-/4.7K NPN	1	
	Q406	LTC043TUBFS8	TRANSISTOR	R2/R1:-/4.7K NPN	1	
	Q407	LTC043TUBFS8	TRANSISTOR	R2/R1:-/4.7K NPN	1	
	Q408	LTA043ZUBFS8	TRANSISTOR	R2/R1:47K/4.7K PNP	1	
	Q409	LTC014YUBFS8	TRANSISTOR	R2/R1:47K/10K NPN	1	
	Q453	2SB1689	TRANSISTOR		1	
	Q454	LTC044EUBFS8	TRANSISTOR	R2/R1:47K/47K NPN	1	
	Q500	LSCR523UBFS8	TRANSISTOR		1	
	Q530	LSCR523UBFS8	TRANSISTOR		1	
	Q701	LSAR523UBFS8	TRANSISTOR		1	
	Q702	LTC014YUBFS8	TRANSISTOR	R2/R1:47K/10K NPN	1	
	Q720	2SC3357-A	TRANSISTOR		1	E2,R1
	D3	1N5402-BPC04	SI DIODE	1N5402-BPC04	1	
	D100	RKS801KF	DIODE		1	
	D110	RKS801KF	DIODE		1	
	D111	VR1005AAA180	VARIATOR	10V 18V 140P	1	
	D120	RKZ6.2KG(B2)	Z DIODE		1	
	D130	RKZ4.7KG(B2)	Z DIODE		1	
	D140	RKS801KF	DIODE		1	
	D150	RKZ6.2KG(B2)	Z DIODE		1	
	D151	RKS801KF	DIODE		1	
	D160	RR264M-400	DIODE		1	
	D161	GS1J-LTP-X	DIODE	GS1J-LTP-X	1	
	D170	RR264M-400	DIODE		1	K3,K2,R1
	D171	GS1J-LTP-X	DIODE	GS1J-LTP-X	1	K3,K2,R1
	D201	MC2846-T111	DIODE		1	
	D301	RKS801KF	DIODE		1	
	D302	RKS801KF	DIODE		1	
	D303	MC2846-T111	DIODE		1	
	D304	MC2846-T111	DIODE		1	
	D305	MC2846-T111	DIODE		1	
	D307	MC2846-T111	DIODE		1	
	D401	MC2846-T111	DIODE		1	
	D402	MC2846-T111	DIODE		1	
	D432	VR1005AAA180	VARIATOR	10V 18V 140P	1	
	D433	VR1005AAA180	VARIATOR	10V 18V 140P	1	
	D434	VR1005AAA180	VARIATOR	10V 18V 140P	1	
	D435	VR1005AAA180	VARIATOR	10V 18V 140P	1	
	D436	VR1005AAA180	VARIATOR	10V 18V 140P	1	
	D437	VR1005AAA180	VARIATOR	10V 18V 140P	1	
	D438	VR1005AAA180	VARIATOR	10V 18V 140P	1	
	D500	VR1005AAA180	VARIATOR	10V 18V 140P	1	
	D501	VR1005AAA270	VARIATOR	15V 27V 40P	1	
	D502	VR1005AAA180	VARIATOR	10V 18V 140P	1	
	D503	VR1005AAA180	VARIATOR	10V 18V 140P	1	
	D531	VR1005AAA180	VARIATOR	10V 18V 140P	1	
	D532	VR1005AAA270	VARIATOR	15V 27V 40P	1	
	D534	VR1005AAA180	VARIATOR	10V 18V 140P	1	
	D535	VR1005AAA180	VARIATOR	10V 18V 140P	1	
	D550	VR1005AAA270	VARIATOR	15V 27V 40P	1	K3,K2
	D551	VR1005AAA270	VARIATOR	15V 27V 40P	1	K3,K2
	D552	VR1005AAA270	VARIATOR	15V 27V 40P	1	K3,K2
	D553	VR1005AAA180	VARIATOR	10V 18V 140P	1	K3,K2
	D554	VR1005AAA180	VARIATOR	10V 18V 140P	1	K3,K2
	D555	VR1005AAA180	VARIATOR	10V 18V 140P	1	K3,K2
	D602	RKS801KF	DIODE		1	E2,R1
	D720	EZAEG3A50A	SURGE ABSORBER		1	
	C1	C90-6866-05	ELECTRO		1	
	C2	CK73GB1H104K	CHIP C	50V 0.10UF K	1	
	C3	CK73GB1H104K	CHIP C	50V 0.10UF K	1	
	C4	CK73HB1H222K	CHIP C	50V 2200PF K	1	
	C5	CK73HB1H222K	CHIP C	50V 2200PF K	1	
	C6	CK73HB1H222K	CHIP C	50V 2200PF K	1	
	C7	CK73HB1H222K	CHIP C	50V 2200PF K	1	
	C8	CK73HB1H222K	CHIP C	50V 2200PF K	1	
	C9	CK73HB1H222K	CHIP C	50V 2200PF K	1	
	C10	CK73HB1H222K	CHIP C	50V 2200PF K	1	
	C11	CK73HB1H222K	CHIP C	50V 2200PF K	1	
	C12	CC73HCH1H221J	CHIP C	50V 220PF J	1	
	C13	CC73HCH1H221J	CHIP C	50V 220PF J	1	
	C14	CC73HCH1H221J	CHIP C	50V 220PF J	1	
	C15	CC73HCH1H221J	CHIP C	50V 220PF J	1	
	C16	CC73HCH1H221J	CHIP C	50V 220PF J	1	
	C17	CC73HCH1H221J	CHIP C	50V 220PF J	1	
	C18	CC73HCH1H221J	CHIP C	50V 220PF J	1	
	C19	CC73HCH1H221J	CHIP C	50V 220PF J	1	
	C20	CC73HCH1H101J	CHIP C	50V 100PF J	1	
	C21	CC73HCH1H101J	CHIP C	50V 100PF J	1	
	C22	CC73HCH1H101J	CHIP C	50V 100PF J	1	
	C23	CC73HCH1H101J	CHIP C	50V 100PF J	1	
	C24	CK73ER2J333K	CHIP C	630V 3300PF K	1	E2

MODEL	MARK	MODEL	MARK	MODEL	MARK	MODEL	MARK
DNX4210BT	E2	DNX5060EX	K3	DNX5190	K2	DNX6490BT	R1

Safe	Symbol No.	Parts No.	Parts Name	Description	QTY	Local
	C25	CK73ER2J333K	CHIP C	630V 33000PF K	1	E2
	C30	CK73GB1C105K	CHIP C	16V 1.0UF K	1	
	C31	CK73GB1C104K	CHIP C	16V 0.10UF K	1	
	C32	CK73GB1C224K	CHIP C	16V 0.22UF K	1	
	C33	CE32CL1C470M	CHIP EL	47UF 16VV	1	
	C34	CE32CL1C470M	CHIP EL	47UF 16VV	1	
	C35	CE32CL1A101M	CHIP EL	100UF 10VV	1	
	C36	C92-1868-05	ELECTRO	100UF 35VV	1	
	C37	CK73FB1H224K	CHIP C	50V 0.22UF K	1	
	C38	CK73EB1E106K	CHIP C	25V 10UF K	1	
	C39	CE32BQ0J221M	CHIP EL	220UF 6.3VV	1	
	C40	CK73EB1E106K	CHIP C	25V 10UF K	1	
	C41	CK73HB1E103K	CHIP C	25V 0.010UF K	1	
	C42	CK73HB1A104K	CHIP C	10V 0.10UF K	1	
	C90	CK73GB0J225K	CHIP C	6.3V 2.2UF K	1	
	C91	CK73FB0J226M	CHIP C	22UF M	1	
	C92	CK73FB0J226M	CHIP C	22UF M	1	
	C100	CK73HB0J105K	CHIP C	6.3V 1.0UF K	1	
	C101	CK73HB1E103K	CHIP C	25V 0.010UF K	1	
	C111	CK73GB0J225K	CHIP C	6.3V 2.2UF K	1	
	C130	CK73HB1E103K	CHIP C	25V 0.010UF K	1	
	C140	CK73HB0J105K	CHIP C	6.3V 1.0UF K	1	
	C141	CK73HB1E103K	CHIP C	25V 0.010UF K	1	
	C150	CK73FB1E474K	CHIP C	25V 0.47UF K	1	
	C200	CK73HB0J105K	CHIP C	6.3V 1.0UF K	1	
	C201	CE32CL1C100M	CHIP EL	10UF 16VV	1	
	C203	CC73HCH1H150J	CHIP C	50V 15PF J	1	
	C204	CK73GB1C224K	CHIP C	16V 0.22UF K	1	
	C205	CK73GB1C224K	CHIP C	16V 0.22UF K	1	
	C206	CC73HCH1H150J	CHIP C	50V 15PF J	1	
	C208	CK73GB1C224K	CHIP C	16V 0.22UF K	1	
	C209	CC73HCH1H150J	CHIP C	50V 15PF J	1	
	C210	CC73HCH1H150J	CHIP C	50V 15PF J	1	
	C211	CK73GB1C224K	CHIP C	16V 0.22UF K	1	
	C212	C90-6780-05	ELECTRO	1UF 16VV	1	
	C213	CK73HB0J105K	CHIP C	6.3V 1.0UF K	1	
	C214	CC73HCH1H470J	CHIP C	50V 47PF J	1	
	C215	CC73HCH1H470J	CHIP C	50V 47PF J	1	
	C216	CC73HCH1H020C	CHIP C	50V 2.0PF C	1	
	C228	CC73HCH1H020C	CHIP C	50V 2.0PF C	1	
	C229	CC73HCH1H020C	CHIP C	50V 2.0PF C	1	
	C282	CC73HCH1H020C	CHIP C	50V 2.0PF C	1	
	C283	CC73HCH1H020C	CHIP C	50V 2.0PF C	1	
	C300	CE32BJ1C100M	CHIP EL	10UF 16VV	1	
	C302	CC73HCH1H020C	CHIP C	50V 2.0PF C	1	
	C303	CE32CL1H2R2M	CHIP EL	2.2UF 50VV	1	
	C304	CE32CL1H2R2M	CHIP EL	2.2UF 50VV	1	
	C305	CC73HCH1H020C	CHIP C	50V 2.0PF C	1	
	C306	CK73GB1C105K	CHIP C	16V 1.0UF K	1	
	C307	CK73GB1C105K	CHIP C	16V 1.0UF K	1	
	C308	CK73GB1C105K	CHIP C	16V 1.0UF K	1	
	C309	CK73GB1C105K	CHIP C	16V 1.0UF K	1	
	C310	CC73HCH1H070D	CHIP C	50V 7.0PF D	1	
	C311	CC73HCH1H070D	CHIP C	50V 7.0PF D	1	
	C312	CK73GB0J106M	CHIP C	6.3V 10UF M	1	
	C313	CK73GB1C105K	CHIP C	16V 1.0UF K	1	
	C314	CK73GB1C105K	CHIP C	16V 1.0UF K	1	
	C315	CK73GB1C105K	CHIP C	16V 1.0UF K	1	
	C316	CK73GB1H103K	CHIP C	50V 0.010UF K	1	
	C317	CK73GB1C105K	CHIP C	16V 1.0UF K	1	
	C318	CK73GB1C105K	CHIP C	16V 1.0UF K	1	
	C319	CK73GB0J106M	CHIP C	6.3V 10UF M	1	
	C320	CK73GB1C105K	CHIP C	16V 1.0UF K	1	
	C321	CK73HB0J105K	CHIP C	6.3V 1.0UF K	1	
	C322	CK73HB0J474K	CHIP C	6.3V 0.47UF K	1	
	C323	CK73HB0J474K	CHIP C	6.3V 0.47UF K	1	
	C324	CK73HB0J105K	CHIP C	6.3V 1.0UF K	1	
	C325	CE32CL1C470M	CHIP EL	47UF 16VV	1	
	C326	CC73HCH1H040C	CHIP C	50V 4.0PF C	1	
	C327	CE32CL1H010M	CHIP EL	1.0UF 50VV	1	
	C328	CK73HB0J105K	CHIP C	6.3V 1.0UF K	1	
	C329	CK73GB1C105K	CHIP C	16V 1.0UF K	1	
	C330	CK73GB1C105K	CHIP C	16V 1.0UF K	1	
	C331	CK73EB1C106K	CHIP C	16V 10UF K	1	
	C332	CK73EB1C106K	CHIP C	16V 10UF K	1	
	C333	CK73HB1H102K	CHIP C	50V 1000PF K	1	
	C334	CK73HB1H102K	CHIP C	50V 1000PF K	1	
	C335	CC73HCH1H020C	CHIP C	50V 2.0PF C	1	
	C336	CC73HCH1H020C	CHIP C	50V 2.0PF C	1	
	C351	CK73HB1H102K	CHIP C	50V 1000PF K	1	
	C352	CK73HB1H102K	CHIP C	50V 1000PF K	1	
	C353	CK73FB1A225K	CHIP C	10V 2.2UF K	1	
	C354	CK73FB1A225K	CHIP C	10V 2.2UF K	1	
	C355	CK73FB1C106K	CHIP C	16V 10UF K	1	
	C356	CK73GB1C104K	CHIP C	16V 0.10UF K	1	
	C357	CK73FB1C106K	CHIP C	16V 10UF K	1	
	C358	CK73GB1C105K	CHIP C	16V 1.0UF K	1	
	C359	CK73GB1C105K	CHIP C	16V 1.0UF K	1	
	C360	CK73GB1C105K	CHIP C	16V 1.0UF K	1	
	C361	CK73FB1C106K	CHIP C	16V 10UF K	1	
	C362	CK73GB1C105K	CHIP C	16V 1.0UF K	1	
	C366	CK73GB1C105K	CHIP C	16V 1.0UF K	1	
	C367	CK73GB1C105K	CHIP C	16V 1.0UF K	1	

MODEL	MARK	MODEL	MARK	MODEL	MARK	MODEL	MARK
DNX4210BT	E2	DNX5060EX	K3	DNX5190	K2	DNX6490BT	R1

Safe	Symbol No.	Parts No.	Parts Name	Description	QTY	Local
	C368	CK73GB1C105K	CHIP C	16V 1.0UF K	1	E2,R1
	C369	CK73GB1C105K	CHIP C	16V 1.0UF K	1	E2,R1
	C370	CK73GB1C105K	CHIP C	16V 1.0UF K	1	E2,R1
	C372	CK73GB1C105K	CHIP C	16V 1.0UF K	1	
	C373	CK73GB1C105K	CHIP C	16V 1.0UF K	1	
	C374	CK73GB1C105K	CHIP C	16V 1.0UF K	1	
	C375	CK73GB1C105K	CHIP C	16V 1.0UF K	1	
	C376	CK73GB1C105K	CHIP C	16V 1.0UF K	1	
	C377	CK73GB1C105K	CHIP C	16V 1.0UF K	1	
	C378	CK73FB1C106K	CHIP C	16V 10UF K	1	
	C379	CK73GB1C104K	CHIP C	16V 0.10UF K	1	
	C400	CE32BJ1C100M	CHIP EL	10UF 16VV	1	
	C401	CK73HB1H102K	CHIP C	50V 1000PF K	1	
	C402	CK73HB1H102K	CHIP C	50V 1000PF K	1	
	C403	CE32BJ1C100M	CHIP EL	10UF 16VV	1	
	C404	CK73EB1C106K	CHIP C	16V 10UF K	1	
	C405	CK73HB1H102K	CHIP C	50V 1000PF K	1	
	C406	CK73HB1H102K	CHIP C	50V 1000PF K	1	
	C407	CK73EB1C106K	CHIP C	16V 10UF K	1	
	C408	CK73EB1C106K	CHIP C	16V 10UF K	1	
	C409	CK73HB1H102K	CHIP C	50V 1000PF K	1	
	C410	CK73HB1H102K	CHIP C	50V 1000PF K	1	
	C411	CK73EB1C106K	CHIP C	16V 10UF K	1	
	C432	CK73HB1H102K	CHIP C	50V 1000PF K	1	
	C433	CK73HB1H102K	CHIP C	50V 1000PF K	1	
	C434	CK73HB1H102K	CHIP C	50V 1000PF K	1	
	C435	CK73HB1H102K	CHIP C	50V 1000PF K	1	
	C436	CK73HB1H102K	CHIP C	50V 1000PF K	1	
	C437	CK73HB1H102K	CHIP C	50V 1000PF K	1	
	C487	CC73HCH1H020C	CHIP C	50V 2.0PF C	1	
	C488	CC73HCH1H020C	CHIP C	50V 2.0PF C	1	
	C489	CK73FB0J106K	CHIP C	6.3V 10UF K	1	
	C500	CK73HB1H102K	CHIP C	50V 1000PF K	1	
	C502	CK73GB0J106M	CHIP C	6.3V 10UF M	1	
	C503	CK73GB1C105K	CHIP C	16V 1.0UF K	1	
	C504	CK73HB1H102K	CHIP C	50V 1000PF K	1	
	C505	CK73HB1H102K	CHIP C	50V 1000PF K	1	
	C508	CK73FB1C106K	CHIP C	16V 10UF K	1	
	C509	CK73HB1E103K	CHIP C	25V 0.010UF K	1	
	C530	CK73GB0J106M	CHIP C	6.3V 10UF M	1	
	C531	CK73GB1C105K	CHIP C	16V 1.0UF K	1	
	C532	CK73HB1E103K	CHIP C	25V 0.010UF K	1	
	C551	CK73GB1C104K	CHIP C	16V 0.10UF K	1	K3,K2
	C552	CK73GB1A105K	CHIP C	10V 1.0UF K	1	K3,K2
	C553	CK73GB1A105K	CHIP C	10V 1.0UF K	1	K3,K2
	C554	CK73GB1A105K	CHIP C	10V 1.0UF K	1	K3,K2
	C555	CK73GB0J106M	CHIP C	6.3V 10UF M	1	K3,K2
	C579	CC73HCH1H101J	CHIP C	50V 100PF J	1	
	C601	CC73GCH1H470J	CHIP C	50V 47PF J	1	E2
	C601	CC73GCH1H150J	CHIP C	50V 15PF J	1	R1
	C603	CC73HCH1H060D	CHIP C	50V 6.0PF D	1	E2,R1
	C604	CK73GB1C104K	CHIP C	16V 0.10UF K	1	E2,R1
	C607	CK73HB1A104K	CHIP C	10V 0.10UF K	1	E2,R1
	C608	CK73HB1E223K	CHIP C	25V 0.022UF K	1	E2,R1
	C609	CC73HCH1H330J	CHIP C	50V 33PF J	1	E2,R1
	C610	CK73FB0J106K	CHIP C	6.3V 10UF K	1	E2,R1
	C611	CK73FB0J106K	CHIP C	6.3V 10UF K	1	E2,R1
	C612	CC73GCH1H220J	CHIP C	50V 22PF J	1	E2,R1
	C613	CC73GCH1H220J	CHIP C	50V 22PF J	1	E2,R1
	C614	CK73FB1C106K	CHIP C	16V 10UF K	1	E2,R1
	C615	CK73GB1C104K	CHIP C	16V 0.10UF K	1	E2,R1
	C616	CC73HCH1H102J	CHIP C	50V 1000PF J	1	E2,R1
	C618	CK73HB1A104K	CHIP C	10V 0.10UF K	1	E2,R1
	C619	CK73FB0J106K	CHIP C	6.3V 10UF K	1	E2,R1
	C620	CK73HB1A104K	CHIP C	10V 0.10UF K	1	E2,R1
	C621	CK73HB1A104K	CHIP C	10V 0.10UF K	1	E2,R1
	C651	CC73HCH1H020C	CHIP C	50V 2.0PF C	1	
	C701	CK73HB1E103K	CHIP C	25V 0.010UF K	1	
	C702	CK73HB1E103K	CHIP C	25V 0.010UF K	1	
	C703	CK73HB1E103K	CHIP C	25V 0.010UF K	1	
	C704	CK73GB1C104K	CHIP C	16V 0.10UF K	1	
	C705	CK73GB1C104K	CHIP C	16V 0.10UF K	1	
	C706	CK73HB1A104K	CHIP C	10V 0.10UF K	1	
	C707	CK73FB1C106K	CHIP C	16V 10UF K	1	
	C708	CK73FB1C106K	CHIP C	16V 10UF K	1	
	C710	CK73HB1E103K	CHIP C	25V 0.010UF K	1	
	C711	CK73GB1C104K	CHIP C	16V 0.10UF K	1	
	C712	CK73FB1C106K	CHIP C	16V 10UF K	1	
	C720	CC73GCH1H070D	CHIP C	50V 7.0PF D	1	E2,R1
	C721	CC73GCH1H180J	CHIP C	50V 18PF J	1	E2,R1
	C722	CC73GCH1H390J	CHIP C	50V 39PF J	1	E2,R1
	C723	CC73GCH1H020C	CHIP C	50V 2.0PF C	1	E2,R1
	C724	CC73GCH1H120J	CHIP C	50V 12PF J	1	E2,R1
	C725	CC73GCH1H180J	CHIP C	50V 18PF J	1	E2,R1
	C726	CC73GCH1H150J	CHIP C	50V 15PF J	1	E2,R1
	C727	CC73GCH1H102J	CHIP C	1000PF J	1	E2,R1
	C728	CC73GCH1H221J	CHIP C	50V 220PF J	1	E2,R1
	C729	CC73GCH1H030C	CHIP C	50V 3.0PF C	1	E2,R1
	C730	CC73GCH1H560J	CHIP C	50V 56PF J	1	E2,R1
	C731	CC73GCH1H560J	CHIP C	50V 56PF J	1	E2,R1
	C732	CK73GB1H102K	CHIP C	50V 1000PF K	1	E2,R1
	C733	CC73GCH1H102J	CHIP C	1000PF J	1	E2,R1

MODEL	MARK	MODEL	MARK	MODEL	MARK	MODEL	MARK
DNX4210BT	E2	DNX5060EX	K3	DNX5190	K2	DNX6490BT	R1

Safe	Symbol No.	Parts No.	Parts Name	Description	QTY	Local
	C734	CC73GCH1H102J	CHIP C	1000PF J	1	E2,R1
	C735	CC73GCH1H102J	CHIP C	1000PF J	1	E2,R1
	C736	CK73GB1C105K	CHIP C	16V 1.0UF K	1	E2,R1
	C741	CK73HB1E103K	CHIP C	25V 0.010UF K	1	
	C742	CC73GCH1H120J	CHIP C	50V 12PF J	1	
	C743	CC73HCH1H331J	CHIP C	50V 330PF J	1	
	C744	CK73FB1C106K	CHIP C	16V 10UF K	1	
	C745	CC73GCH1H120J	CHIP C	50V 12PF J	1	
	R30	RK73FB2B000J	CHIP R	0.0 J 1/8W 2125	1	
	R31	RK73FB2B000J	CHIP R	0.0 J 1/8W 2125	1	
	R32	RK73FB2B000J	CHIP R	0.0 J 1/8W 2125	1	
	R33	RK73FB2B000J	CHIP R	0.0 J 1/8W 2125	1	
	R34	RK73GH2A392D	CHIP R	3.9K D 1/10W	1	
	R35	RK73GH2A273D	CHIP R	27K D 1/10W	1	
	R36	RK73GH2A221D	CHIP R	220 D 1/10W	1	
	R37	RK73GH2A472D	CHIP R	4.7K D 1/10W	1	
	R38	RK73HB1J101J	CHIP R	100 J 1/16W	1	
	R39	RK73FB2B000J	CHIP R	0.0 J 1/8W 2125	1	
	R40	RK73GH2A751D	CHIP R	750 D 1/10W	1	
	R43	RK73HB1J000J	CHIP R	0.0 J 1/16W	1	
	R44	RK73GB2A000J	CHIP R	0.0 J 1/10W 1608	1	
	R100	RK73GB2A272J	CHIP R	2.7K J 1/10W	1	
	R101	RK73HB1J102J	CHIP R	1.0K J 1/16W	1	
	R111	RK73GB2A471J	CHIP R	470 J 1/10W	1	
	R112	RK73GB2A473J	CHIP R	47K J 1/10W	1	
	R113	RK73GB2A473J	CHIP R	47K J 1/10W	1	
	R114	RK73GB2A223J	CHIP R	22K J 1/10W	1	
	R115	RK73GB2A473J	CHIP R	47K J 1/10W	1	
	R116	RK73GB2A223J	CHIP R	22K J 1/10W	1	
	R120	RK73PB2H101J	CHIP R	100 J 1/2W	1	
	R130	RK73HB1J104J	CHIP R	100K J 1/16W	1	
	R131	RK73HB1J473J	CHIP R	47K J 1/16W	1	
	R132	RK73GB2A103J	CHIP R	10K J 1/10W	1	
	R140	RK73GB2A272J	CHIP R	2.7K J 1/10W	1	
	R141	RK73HB1J102J	CHIP R	1.0K J 1/16W	1	
	R150	RK73EB2E153J	CHIP R	15K J 1/4W	1	
	R151	RK73EB2E622J	CHIP R	6.2K J 1/4W	1	
	R152	RK73EB2E622J	CHIP R	6.2K J 1/4W	1	
	R153	RK73HB1J912J	CHIP R	9.1K J 1/16W	1	
	R160	RK73FB2B472J	CHIP R	4.7K J 1/8W	1	
	R170	RK73EB2E000J	CHIP R	0.0 J 1/4W 3216	1	E2
	R171	RK73FB2B472J	CHIP R	4.7K J 1/8W	1	K3,K2,R1
	R200	RK73HB1J473J	CHIP R	47K J 1/16W	1	
	R201	RK73GB2A820JH	CHIP R	82 J 1/10W	1	
	R202	RK73GB2A820JH	CHIP R	82 J 1/10W	1	
	R203	RK73GB2A101JH	CHIP R	100 J 1/10W	1	
	R204	RK73GB2A101JH	CHIP R	100 J 1/10W	1	
	R205	RK73HB1J330JH	CHIP R	33 J 1/16W	1	
	R206	RK73HB1J123J	CHIP R	12K J 1/16W	1	
	R207	RK73HB1J473J	CHIP R	47K J 1/16W	1	
	R208	RK73HB1J331J	CHIP R	330 J 1/16W	1	
	R209	RK73GB2A562J	CHIP R	5.6K J 1/10W	1	
	R213	RK73HB1J300J	CHIP R	30 J 1/16W	1	
	R215	RK73HB1J000J	CHIP R	0.0 J 1/16W	1	
	R222	RK73HB1J300J	CHIP R	30 J 1/16W	1	
	R242	RK73HB1J000J	CHIP R	0.0 J 1/16W	1	
	R248	RK73HB1J000J	CHIP R	0.0 J 1/16W	1	
	R249	RK73HB1J000J	CHIP R	0.0 J 1/16W	1	
	R280	RK73HB1J300J	CHIP R	30 J 1/16W	1	
	R302	RK73GB2A000J	CHIP R	0.0 J 1/10W 1608	1	
	R304	RK73HB1J750JH	CHIP R	75 J 1/16W	1	
	R305	RK73HB1J750JH	CHIP R	75 J 1/16W	1	
	R306	RK73HB1J560J	CHIP R	56 J 1/16W	1	
	R307	RK73HB1J560J	CHIP R	56 J 1/16W	1	
	R308	RK73HB1J680JH	CHIP R	68 J 1/16W	1	
	R309	RK73HB1J680JH	CHIP R	68 J 1/16W	1	
	R310	RK73HB1J300J	CHIP R	30 J 1/16W	1	
	R311	RK73HB1J102J	CHIP R	1.0K J 1/16W	1	
	R312	RK73HB1J103J	CHIP R	10K J 1/16W	1	
	R313	RK73HB1J104J	CHIP R	100K J 1/16W	1	
	R314	RK73HB1J100J	CHIP R	10 J 1/16W	1	
	R315	RK73HB1J101J	CHIP R	100 J 1/16W	1	
	R316	RK73HB1J101J	CHIP R	100 J 1/16W	1	
	R317	RK73HB1J103J	CHIP R	10K J 1/16W	1	
	R318	RK73EB2E2R2J	CHIP R	2.2 J 1/4W	1	
	R319	RK73HB1J471J	CHIP R	470 J 1/16W	1	
	R320	RK73HB1J471J	CHIP R	470 J 1/16W	1	
	R321	RK73HB1J223J	CHIP R	22K J 1/16W	1	
	R322	RK73HB1J223J	CHIP R	22K J 1/16W	1	
	R323	RK73GB2A4R7J	CHIP R	4.7 J 1/10W	1	
	R324	RK73HB1J000J	CHIP R	0.0 J 1/16W	1	
	R353	RK73GB2A223J	CHIP R	22K J 1/10W	1	
	R354	RK73GB2A223J	CHIP R	22K J 1/10W	1	
	R355	RK73GB2A332J	CHIP R	3.3K J 1/10W	1	
	R356	RK73GB2A332J	CHIP R	3.3K J 1/10W	1	
	R357	RK73GB2A103J	CHIP R	10K J 1/10W	1	
	R358	RK73GB2A103J	CHIP R	10K J 1/10W	1	
	R359	RK73GB2A162J	CHIP R	1.6K J 1/10W	1	
	R361	RK73EB2E4R7J	CHIP R	4.7 J 1/4W	1	
	R362	RK73HB1J101J	CHIP R	100 J 1/16W	1	
	R363	RK73HB1J101J	CHIP R	100 J 1/16W	1	
	R364	RK73HB1J473J	CHIP R	47K J 1/16W	1	

MODEL	MARK	MODEL	MARK	MODEL	MARK	MODEL	MARK
DNX4210BT	E2	DNX5060EX	K3	DNX5190	K2	DNX6490BT	R1

Safe	Symbol No.	Parts No.	Parts Name	Description	QTY	Local
	R371	RK73HB1J223J	CHIP R	22K J 1/16W	1	
	R400	RK73HB1J471J	CHIP R	470 J 1/16W	1	
	R401	RK73HB1J223J	CHIP R	22K J 1/16W	1	
	R402	RK73HB1J223J	CHIP R	22K J 1/16W	1	
	R403	RK73HB1J471J	CHIP R	470 J 1/16W	1	
	R404	RK73HB1J471J	CHIP R	470 J 1/16W	1	
	R405	RK73HB1J223J	CHIP R	22K J 1/16W	1	
	R406	RK73HB1J223J	CHIP R	22K J 1/16W	1	
	R407	RK73HB1J471J	CHIP R	470 J 1/16W	1	
	R408	RK73HB1J471J	CHIP R	470 J 1/16W	1	
	R409	RK73HB1J223J	CHIP R	22K J 1/16W	1	
	R410	RK73HB1J223J	CHIP R	22K J 1/16W	1	
	R411	RK73HB1J471J	CHIP R	470 J 1/16W	1	
	R418	RK73HB1J000J	CHIP R	0.0 J 1/16W	1	
	R419	RK73HB1J000J	CHIP R	0.0 J 1/16W	1	
	R422	RK73HB1J000J	CHIP R	0.0 J 1/16W	1	
	R423	RK73HB1J000J	CHIP R	0.0 J 1/16W	1	
	R424	RK73HB1J000J	CHIP R	0.0 J 1/16W	1	
	R425	RK73HB1J000J	CHIP R	0.0 J 1/16W	1	
	R432	RK73EB2E101J	CHIP R	100 J 1/4W	1	
	R434	RK73EB2E101J	CHIP R	100 J 1/4W	1	
	R435	RK73EB2E101J	CHIP R	100 J 1/4W	1	
	R436	RK73EB2E101J	CHIP R	100 J 1/4W	1	
	R437	RK73EB2E101J	CHIP R	100 J 1/4W	1	
	R438	RK73EB2E101J	CHIP R	100 J 1/4W	1	
	R464	RK73HB1J300J	CHIP R	30 J 1/16W	1	
	R469	RK73GB2A223J	CHIP R	22K J 1/10W	1	
	R470	RK73GB2A222J	CHIP R	2.2K J 1/10W	1	
	R501	RK73GB2A4R7J	CHIP R	4.7 J 1/10W	1	
	R502	RK73GB2A620J	CHIP R	62 J 1/10W	1	
	R503	RK73HB1J303J	CHIP R	30K J 1/16W	1	
	R504	RK73HB1J272J	CHIP R	2.7K J 1/16W	1	
	R505	RK73EB2E100J	CHIP R	10 J 1/4W	1	
	R506	RK73EB2E100J	CHIP R	10 J 1/4W	1	
	R507	RK73EB2E000J	CHIP R	0.0 J 1/4W 3216	1	
	R508	RK73GB2A223J	CHIP R	22K J 1/10W	1	
	R509	RK73GB2A223J	CHIP R	22K J 1/10W	1	
	R510	RK73HB1J303J	CHIP R	30K J 1/16W	1	
	R521	RK73GB2A100J	CHIP R	10 J 1/10W	1	
	R522	RK73EB2E100J	CHIP R	10 J 1/4W	1	
	R530	RK73HB1J303J	CHIP R	30K J 1/16W	1	
	R532	RK73GH2A750D	CHIP R	75 D 1/10W	1	
	R533	RK73GB2A4R7J	CHIP R	4.7 J 1/10W	1	
	R534	RK73EB2E000J	CHIP R	0.0 J 1/4W 3216	1	
	R535	RK73EB2E100J	CHIP R	10 J 1/4W	1	
	R536	RK73EB2E100J	CHIP R	10 J 1/4W	1	
	R538	RK73HB1J303J	CHIP R	30K J 1/16W	1	
	R539	RK73HB1J272J	CHIP R	2.7K J 1/16W	1	
	R540	RK73GB2A102J	CHIP R	1.0K J 1/10W	1	
	R541	RK73GB2A100J	CHIP R	10 J 1/10W	1	
	R542	RK73EB2E100J	CHIP R	10 J 1/4W	1	
	R550	RK73EB2E101J	CHIP R	100 J 1/4W	1	K3,K2
	R551	RK73EB2E101J	CHIP R	100 J 1/4W	1	K3,K2
	R552	RK73EB2E101J	CHIP R	100 J 1/4W	1	K3,K2
	R553	RK73EB2E100J	CHIP R	10 J 1/4W	1	K3,K2
	R554	RK73EB2E100J	CHIP R	10 J 1/4W	1	K3,K2
	R555	RK73EB2E4R7J	CHIP R	4.7 J 1/4W	1	K3,K2
	R556	RK73HB1J473J	CHIP R	47K J 1/16W	1	K3,K2
	R557	RK73HB1J272J	CHIP R	2.7K J 1/16W	1	K3,K2
	R558	RK73HB1J272J	CHIP R	2.7K J 1/16W	1	K3,K2
	R559	RK73HB1J000J	CHIP R	0.0 J 1/16W	1	K3,K2
	R560	RK73GB2A102J	CHIP R	1.0K J 1/10W	1	K3,K2
	R573	RK73HB1J100J	CHIP R	10 J 1/16W	1	
	R600	RK73FB2B000J	CHIP R	0.0 J 1/8W 2125	1	
	R602	RK73HB1J202J	CHIP R	2.0K J 1/16W	1	E2,R1
	R603	RK73HB1J103J	CHIP R	10K J 1/16W	1	E2,R1
	R607	RK73HB1J221J	CHIP R	220 J 1/16W	1	E2,R1
	R608	RK73HB1J103J	CHIP R	10K J 1/16W	1	E2,R1
	R609	RK73HB1J222J	CHIP R	2.2K J 1/16W	1	E2,R1
	R610	RK73GB2A202J	CHIP R	2.0K J 1/10W	1	E2,R1
	R612	RK73HB1J471J	CHIP R	470 J 1/16W	1	E2,R1
	R613	RK73HB1J471J	CHIP R	470 J 1/16W	1	E2,R1
	R615	RK73FB2B000J	CHIP R	0.0 J 1/8W 2125	1	E2,R1
	R617	RK73FB2B000J	CHIP R	0.0 J 1/8W 2125	1	E2,R1
	R618	RK73GB2A1R0J	CHIP R	1.0 J 1/10W	1	E2,R1
	R651	RK73HB1J300J	CHIP R	30 J 1/16W	1	
	R701	RK73HB1J223J	CHIP R	22K J 1/16W	1	
	R702	RK73HB1J101J	CHIP R	100 J 1/16W	1	
	R703	RK73HB1J101J	CHIP R	100 J 1/16W	1	
	R704	RK73HB1J102J	CHIP R	1.0K J 1/16W	1	
	R707	RK73HB1J101J	CHIP R	100 J 1/16W	1	
	R720	RK73GB2A000J	CHIP R	0.0 J 1/10W 1608	1	E2,R1
	R721	RK73GB2A000J	CHIP R	0.0 J 1/10W 1608	1	K3,K2
	R722	RK73GB2A431J	CHIP R	430 J 1/10W	1	E2,R1
	R723	RK73GB2A270J	CHIP R	27 J 1/10W	1	E2,R1
	R724	RK73GB2A331J	CHIP R	330 J 1/10W	1	E2,R1
	R725	RK73GB2A330J	CHIP R	33 J 1/10W	1	E2,R1
	R726	RK73GB2A332J	CHIP R	3.3K J 1/10W	1	E2,R1
	R727	RK73GB2A431J	CHIP R	430 J 1/10W	1	E2,R1
	R728	RK73GB2A331J	CHIP R	330 J 1/10W	1	E2,R1
	R730	RK73GB2A562J	CHIP R	5.6K J 1/10W	1	E2,R1
	R731	RK73GB2A331J	CHIP R	330 J 1/10W	1	E2,R1
	R732	RK73GB2A151J	CHIP R	150 J 1/10W	1	E2,R1

MODEL	MARK	MODEL	MARK	MODEL	MARK	MODEL	MARK
DNX4210BT	E2	DNX5060EX	K3	DNX5190	K2	DNX6490BT	R1

Safe	Symbol No.	Parts No.	Parts Name	Description	QTY	Local
	R733	RK73GB2A330J	CHIP R	33 J 1/10W	1	E2,R1
	R734	RK73GB2A220J	CHIP R	22 J 1/10W	1	E2
	R734	RK73GB2A470J	CHIP R	47 J 1/10W	1	R1
	R741	RK73GB2A101J	CHIP R	100 J 1/10W	1	
	R742	RK73HB1J222J	CHIP R	2.2K J 1/16W	1	
	R743	RK73HB1J222J	CHIP R	2.2K J 1/16W	1	
	R744	RK73HB1J222J	CHIP R	2.2K J 1/16W	1	
△	L1	L33-2459-05	CHOKO COIL ASSY		1	
△	L2	L33-2436-05	CHOKO COIL ASSY		1	
	L500	L41-4792-62	SMALL FIXED INDUCTOR	4.7U	1	
	L551	L41-4792-62	SMALL FIXED INDUCTOR	4.7U	1	K3,K2
	L600	L41-1588-61	SMALL FIXED INDUCTOR	C2012C-RD 150N G2%	1	E2,R1
	L601	L41-2278-61	SMALL FIXED INDUCTOR	C2012C-RD 22N G2%	1	E2,R1
	L603	L92-0329-05	CHIP FERRITE		1	E2,R1
	L604	L92-0329-05	CHIP FERRITE		1	E2,R1
	L701	L41-4792-62	SMALL FIXED INDUCTOR	4.7U	1	
	L702	L41-4792-62	SMALL FIXED INDUCTOR	4.7U	1	
	L703	L41-4792-62	SMALL FIXED INDUCTOR	4.7U	1	
	L704	L41-4792-62	SMALL FIXED INDUCTOR	4.7U	1	
	L720	L41-2705-33	SMALL FIXED INDUCTOR	27U	1	E2,R1
	L721	L41-1805-33	SMALL FIXED INDUCTOR	18U	1	E2,R1
	L722	L41-1588-61	SMALL FIXED INDUCTOR	C2012C-RD 150N G2%	1	E2,R1
	L723	L41-1588-61	SMALL FIXED INDUCTOR	C2012C-RD 150N G2%	1	E2,R1
	L724	L41-1588-61	SMALL FIXED INDUCTOR	C2012C-RD 150N G2%	1	E2,R1
	L725	L41-1888-61	SMALL FIXED INDUCTOR	C2012C-RD 180N G2%	1	E2,R1
	L726	L92-0329-05	CHIP FERRITE		1	E2,R1
	L727	L19-0825-05	BALUN TRANSFORMER	070275395	1	E2,R1
	L740	L41-4792-62	SMALL FIXED INDUCTOR	4.7U	1	
	A701	X86-4272-70	FRONT-END UNIT		1	E2
	A701	X86-4270-11	FRONT-END UNIT	11FST	1	K3,K2,R1
	CN91	E41-1682-05	PIN ASSY	B02B-PH-K-S(LF)(SN)	1	
	CN201	E41-2980-05	FLAT CABLE CONNECTOR	STRAIGHT 60PIN	1	
	CN301	E41-3254-05	SOCKET FOR PIN ASSY	IMSA-9827S-70Y919	1	
	F550	F53-0412-05	FUSE(UL,CSA) 4A	125V_4.0A	1	K3,K2
	J1	E58-1043-05	RECTANGULAR RECEPTACLE	DCCN 22PIN 20A	1	
	J401	E63-0987-05	PIN JACK	7PIN	1	
	J501	E11-0676-05	3.5D PHONE JACK		1	
	J531	E11-0676-05	3.5D PHONE JACK		1	
	J551	QNZ0907-001	CIR CONNECTOR		1	K3,K2
	TH200	B59601A0085B0	THERMISTOR		1	
	W600	E30-6883-05	CORD WITH PLUG		1	
	X601	L77-2921-15	CRYSTAL RESONATOR	32.768KHZ 12.5PF	1	E2,R1
	X740	L77-3827-05	CRYSTAL		1	
SWITCH UNIT (X16-7060-10) <X16>						
	IC920	PIC95603	ANALOGUE IC		1	
	D920	VR1005AAA270	VARISTOR	15V 27V 40P	1	
	D922	NSSM065T-X	LED		1	
	D923	NSSM065T-X	LED		1	
	D928	NSSM065T-X	LED		1	
	D934	B30-1779-05	LED(1608_SR)		1	
	D935	VR1005DDA080	VARISTOR	5.5V 8V 480P	1	
	D936	B30-1779-05	LED(1608_SR)		1	
	C920	CK73HB0J105K	CHIP C	6.3V 1.0UF K	1	
	C921	CK73FB0J226M	CHIP C	22UF M	1	
	R920	RK73HB1J101J	CHIP R	100 J 1/16W	1	
	R921	RK73HB1J822J	CHIP R	8.2K J 1/16W	1	
	R922	RK73HB1J223J	CHIP R	22K J 1/16W	1	
	R924	RK73HB1J392J	CHIP R	3.9K J 1/16W	1	
	R925	RK73HB1J000J	CHIP R	0.0 J 1/16W	1	
	R926	RK73GB2A221J	CHIP R	220 J 1/10W	1	
	R927	RK73HB1J512J	CHIP R	5.1K J 1/16W	1	
	R928	RK73HB1J512J	CHIP R	5.1K J 1/16W	1	
	R929	RK73HH1J361D	CHIP R	360 D 1/16W	1	
	R930	RK73GB2A000J	CHIP R	0.0 J 1/10W 1608	1	
	R931	RK73GB2A000J	CHIP R	0.0 J 1/10W 1608	1	
	CN920	E41-3287-05	FLAT CABLE CONNECTOR	24PIN FLIP	1	
	S920	S70-0960-05	TACT SWITCH	2.5MM/1.76N	1	
	S921	S70-0960-05	TACT SWITCH	2.5MM/1.76N	1	
	S922	S70-0960-05	TACT SWITCH	2.5MM/1.76N	1	
	S923	S70-0960-05	TACT SWITCH	2.5MM/1.76N	1	
	S924	S70-0960-05	TACT SWITCH	2.5MM/1.76N	1	
	S925	S70-0960-05	TACT SWITCH	2.5MM/1.76N	1	
	S926	T99-0484-05	ROTARY ENCODER		1	
VIDEO UNIT (X35-5140-11) <X35>						
	IC1	TC7SH17FU-F	MOS-IC		1	

MODEL	MARK	MODEL	MARK	MODEL	MARK	MODEL	MARK
DNX4210BT	E2	DNX5060EX	K3	DNX5190	K2	DNX6490BT	R1

Safe	Symbol No.	Parts No.	Parts Name	Description	QTY	Local
	IC2	TC7WH08FK-F	MOS-IC	PB FREE	1	
	IC3	-	ANALOGU IC	OZ5271LN-A1 Replacement can not	1	
	IC4	TC7SH08FU-F	MOS-IC		1	
	IC5	74AHC1G32GW	MOS-IC		1	
	IC6	XC6216B332M-G	ANALOGUE IC	3.3V	1	
	IC100	-	ANALOGU IC	LT1947E-PBF Replacement can not	1	
	IC101	XC6213B332N-G	ANALOGUE IC	3.3V	1	
	IC200	TC7WH34FK-F	MOS-IC		1	
	IC201	XC6120N422N-G	MOS-IC	4.2V	1	
	IC202	W10-0753-08	MICROCONTROLLER IC	F3650EDFB	1	
	IC203	MFI341S2162	MICROPROCESSOR IC		1	
	IC204	XC6219B332MR	ANALOGUE IC		1	
	IC400	NJM2107F-ZB	ANALOGUE IC	PBFREE	1	
	IC401	XC6223B181P-G	ANALOGUE IC	1.8V	1	
	IC402	W10-0754-08	ROM IC	W25X10BVSNIG	1	
	IC403	TC7SH08FU-F	MOS-IC		1	
	IC404	RP131S331D-FE	ANALOGUE IC	3.3V	1	
	IC405	XC6223B181P-G	ANALOGUE IC	1.8V	1	
	IC406	MST7912KC-ALF	MOS-IC	LQFP 128PIN	1	
	IC407	TC7SH08FU-F	MOS-IC		1	
	IC700	TC7WH04FK-F	MOS-IC		1	
	Q1	CPH3105-E	TRANSISTOR		1	
	Q2	2SC5383-T1(F)	TRANSISTOR		1	
	Q4	2SC4154T1(E,F)	TRANSISTOR		1	
	Q5	ISA1602AM1(F)	TRANSISTOR	ISA1602AM1-T111-1F	1	
	Q6	RT1N144U-T111	TRANSISTOR	R2/R1: 47K/ 10K NPN	1	
	Q7	TPCF8104-F	FET		1	
	Q100	RT1N144M-T111	TRANSISTOR	R2/R1: 47K/ 10K NPN	1	
	Q101	RT1P144U-T111	TRANSISTOR	R2/R1: 47K/ 10K PNP	1	
	Q102	ISA1602AM1(F)	TRANSISTOR	ISA1602AM1-T111-1F	1	
	Q103	2SA1577	TRANSISTOR		1	
	Q104	2SB1188(R)	TRANSISTOR		1	
	Q105	2SC4154T1(E,F)	TRANSISTOR		1	
	Q106	ISA1602AM1(F)	TRANSISTOR	ISA1602AM1-T111-1F	1	
	Q107	2SC4154T1(E,F)	TRANSISTOR		1	
	Q108	RT1N144U-T111	TRANSISTOR	R2/R1: 47K/ 10K NPN	1	
	Q109	RT1N144U-T111	TRANSISTOR	R2/R1: 47K/ 10K NPN	1	
	Q110	RT1P144U-T111	TRANSISTOR	R2/R1: 47K/ 10K PNP	1	
	Q113	2SC4154T1(E,F)	TRANSISTOR		1	
	Q114	ISA1602AM1(F)	TRANSISTOR	ISA1602AM1-T111-1F	1	
	Q115	2SC4154T1(E,F)	TRANSISTOR		1	
	Q116	RT1P144U-T111	TRANSISTOR	R2/R1: 47K/ 10K PNP	1	
	Q117	2SC4154T1(E,F)	TRANSISTOR		1	
	Q200	RT1N144U-T111	TRANSISTOR	R2/R1: 47K/ 10K NPN	1	
	Q203	RT1N144U-T111	TRANSISTOR	R2/R1: 47K/ 10K NPN	1	
	Q204	2SC4154T1(E,F)	TRANSISTOR		1	
	Q205	RT1P144U-T111	TRANSISTOR	R2/R1: 47K/ 10K PNP	1	
	Q206	ISA1602AM1(F)	TRANSISTOR	ISA1602AM1-T111-1F	1	
	Q207	TPCF8104-F	FET		1	
	Q208	RT1N144U-T111	TRANSISTOR	R2/R1: 47K/ 10K NPN	1	
	Q209	RT1N144M-T111	TRANSISTOR	R2/R1: 47K/ 10K NPN	1	
	Q212	2SC4154T1(E,F)	TRANSISTOR		1	
	Q213	2SC4154T1(E,F)	TRANSISTOR		1	
	Q214	2SC4154T1(E,F)	TRANSISTOR		1	
	Q215	ISA1602AM1(F)	TRANSISTOR	ISA1602AM1-T111-1F	1	
	Q216	ISA1602AM1(F)	TRANSISTOR	ISA1602AM1-T111-1F	1	
	Q217	RT1N144U-T111	TRANSISTOR	R2/R1: 47K/ 10K NPN	1	
	Q218	RT1N144U-T111	TRANSISTOR	R2/R1: 47K/ 10K NPN	1	
	Q219	RT1N144U-T111	TRANSISTOR	R2/R1: 47K/ 10K NPN	1	
	Q220	2SC4154T1(E,F)	TRANSISTOR		1	
	Q221	2SC4154T1(E,F)	TRANSISTOR		1	
	Q222	RT1N144U-T111	TRANSISTOR	R2/R1: 47K/ 10K NPN	1	
	Q400	2SC4154T1(E,F)	TRANSISTOR		1	
	Q401	RT1P144U-T111	TRANSISTOR	R2/R1: 47K/ 10K PNP	1	
	Q402	ISA1602AM1(F)	TRANSISTOR	ISA1602AM1-T111-1F	1	
	Q403	TPCF8104-F	FET		1	
	Q404	2SC4154T1(E,F)	TRANSISTOR		1	
	Q405	ISA1602AM1(F)	TRANSISTOR	ISA1602AM1-T111-1F	1	
	Q600	2SA2018	TRANSISTOR	1608 PNP	1	
	Q601	2SC5585	TRANSISTOR	1608 NPN	1	
	Q602	2SA2018	TRANSISTOR	1608 PNP	1	
	Q603	2SC5585	TRANSISTOR	1608 NPN	1	
	Q604	RT1P144M-T111	TRANSISTOR	R2/R1: 47K/ 10K PNP	1	
	Q605	2SC4154T1(E,F)	TRANSISTOR		1	
	Q700	2SC4154T1(E,F)	TRANSISTOR		1	
	Q701	2SC4154T1(E,F)	TRANSISTOR		1	
	Q702	2SC4154T1(E,F)	TRANSISTOR		1	
	Q703	2SC4154T1(E,F)	TRANSISTOR		1	
	Q708	2SC4154T1(E,F)	TRANSISTOR		1	
	Q709	2SC4154T1(E,F)	TRANSISTOR		1	
	Q710	2SC4154T1(E,F)	TRANSISTOR		1	
	D2	SJPE-H4	DIODE	40V 2A	1	
	D3	SJPB-L4	DIODE	40V 3A	1	
	D100	RB162M-60	DIODE	60V	1	
	D101	RB162M-40	DIODE	40V	1	
	D102	RB162M-40	DIODE	40V	1	
	D103	RB162M-40	DIODE	40V	1	
	D200	MA2S784-F	DIODE		1	
	D201	MA2S784-F	DIODE		1	
	D202	MA2S784-F	DIODE		1	
	D401	MA2S784-F	DIODE		1	

MODEL	MARK	MODEL	MARK	MODEL	MARK	MODEL	MARK
DNX4210BT	E2	DNX5060EX	K3	DNX5190	K2	DNX6490BT	R1

Safe	Symbol No.	Parts No.	Parts Name	Description	QTY	Local
	D402	VR105C3R3BAA	VARIATOR	10V 40V 3.3P1005	1	
	D403	VR105C3R3BAA	VARIATOR	10V 40V 3.3P1005	1	
	D404	VR105C3R3BAA	VARIATOR	10V 40V 3.3P1005	1	
	D405	VR105C3R3BAA	VARIATOR	10V 40V 3.3P1005	1	
	D406	VR105C3R3BAA	VARIATOR	10V 40V 3.3P1005	1	
	D602	VR1005AAA270	VARIATOR	15V 27V 40P	1	
	D603	VR1005AAA270	VARIATOR	15V 27V 40P	1	
	D604	VR1005AAA270	VARIATOR	15V 27V 40P	1	
	D605	VR1005AAA270	VARIATOR	15V 27V 40P	1	
	D705	VR1005AAA270	VARIATOR	15V 27V 40P	1	
	D706	VR1005DDA080	VARIATOR	5.5V 8V 480P	1	
	D707	VR1005AAA270	VARIATOR	15V 27V 40P	1	
	D708	VR1005DDA080	VARIATOR	5.5V 8V 480P	1	
	D709	VR1005DDA080	VARIATOR	5.5V 8V 480P	1	
	D710	VR1005AAA270	VARIATOR	15V 27V 40P	1	
	D711	VR1005AAA270	VARIATOR	15V 27V 40P	1	
	D712	VR1005DDA080	VARIATOR	5.5V 8V 480P	1	
	D713	VR1005DDA080	VARIATOR	5.5V 8V 480P	1	
	D714	VR1005AAA270	VARIATOR	15V 27V 40P	1	
	D715	VR1005AAA270	VARIATOR	15V 27V 40P	1	
	D716	VR1005AAA270	VARIATOR	15V 27V 40P	1	
	D720	MC2850-T111	DIODE		1	
	D721	MC2850-T111	DIODE		1	
	D722	MC2850-T111	DIODE		1	
	D724	MC2850-T111	DIODE		1	
	C1	CK73FB1E475K	CHIP C	25V 4.7UF K	1	
	C2	CK73GB1E105K	CHIP C	25V 1.0UF K	1	
	C3	CK73EB1E106K	CHIP C	25V 10UF K	1	
	C4	CK73EB1E106K	CHIP C	25V 10UF K	1	
	C5	CK73EB1E106K	CHIP C	25V 10UF K	1	
	C6	CK73HB1A104K	CHIP C	10V 0.10UF K	1	
	C7	CK73EB1E106K	CHIP C	25V 10UF K	1	
	C8	CK73EB1E106K	CHIP C	25V 10UF K	1	
	C9	CK73GB1H104K	CHIP C	50V 0.10UF K	1	
	C10	CK73HB1E103K	CHIP C	25V 0.010UF K	1	
	C11	CK73GB1E105K	CHIP C	25V 1.0UF K	1	
	C12	CC73GCH1H471J	CHIP C	50V 470PF J	1	
	C13	CK73HB1A104K	CHIP C	10V 0.10UF K	1	
	C15	CK73HB0J105K	CHIP C	6.3V 1.0UF K	1	
	C16	C93-1509-05	CHIP C	50V 2PF F	1	
	C17	CC73HCH1H101J	CHIP C	50V 100PF J	1	
	C18	CK73GB1H103K	CHIP C	50V 0.010UF K	1	
	C19	CK73HB0J224K	CHIP C	6.3V 0.22UF K	1	
	C20	CK73GB1H104K	CHIP C	50V 0.10UF K	1	
	C21	CK73EB1H475K	CHIP C	50V 4.7UF K	1	
	C22	CK73EB1H475K	CHIP C	50V 4.7UF K	1	
	C23	CK73EB1H475K	CHIP C	50V 4.7UF K	1	
	C24	CK73EB1H475K	CHIP C	50V 4.7UF K	1	
	C25	CC73HCH1H560J	CHIP C	50V 56PF J	1	
	C26	CK73GB1H104K	CHIP C	50V 0.10UF K	1	
	C27	CK73HB1E103K	CHIP C	25V 0.010UF K	1	
	C28	CK73HB1A104K	CHIP C	10V 0.10UF K	1	
	C29	CK73HB1A104K	CHIP C	10V 0.10UF K	1	
	C30	CK73HB0J105K	CHIP C	6.3V 1.0UF K	1	
	C31	CK73HB1E104K	CHIP C	25V 0.10UF K	1	
	C32	CK73HB1E103K	CHIP C	25V 0.010UF K	1	
	C33	CK73GB1H104K	CHIP C	50V 0.10UF K	1	
	C34	CK73GB1H103K	CHIP C	50V 0.010UF K	1	
	C100	CK73GB0J106M	CHIP C	6.3V 10UF M	1	
	C101	CK73GB0J106M	CHIP C	6.3V 10UF M	1	
	C102	CK73GB0J106M	CHIP C	6.3V 10UF M	1	
	C103	CK73HB1E103K	CHIP C	25V 0.010UF K	1	
	C104	CK73GB0J106M	CHIP C	6.3V 10UF M	1	
	C105	CK73GB0J106M	CHIP C	6.3V 10UF M	1	
	C106	CK73EB1E106K	CHIP C	25V 10UF K	1	
	C107	CK73GB1H104K	CHIP C	50V 0.10UF K	1	
	C108	CK73GB1H103K	CHIP C	50V 0.010UF K	1	
	C109	CK73GB1E154K	CHIP C	25V 0.15UF K	1	
	C111	CK73FB1E475K	CHIP C	25V 4.7UF K	1	
	C112	CK73FB1E475K	CHIP C	25V 4.7UF K	1	
	C113	CK73HB1H102K	CHIP C	50V 1000PF K	1	
	C114	CC73HCH1H151J	CHIP C	50V 150PF J	1	
	C115	CK73GB1C224K	CHIP C	16V 0.22UF K	1	
	C116	CK73FB1C106K	CHIP C	16V 10UF K	1	
	C117	CK73FB1C106K	CHIP C	16V 10UF K	1	
	C118	CK73FB1C106K	CHIP C	16V 10UF K	1	
	C119	CK73GB1A105K	CHIP C	10V 1.0UF K	1	
	C120	CK73GB1A105K	CHIP C	10V 1.0UF K	1	
	C121	CK73GB1H104K	CHIP C	50V 0.10UF K	1	
	C122	CK73FB1C106K	CHIP C	16V 10UF K	1	
	C123	CK73FB1C106K	CHIP C	16V 10UF K	1	
	C124	CK73FB1C106K	CHIP C	16V 10UF K	1	
	C125	CK73FB1E475K	CHIP C	25V 4.7UF K	1	
	C126	CK73HB1E103K	CHIP C	25V 0.010UF K	1	
	C127	CK73GB1H104K	CHIP C	50V 0.10UF K	1	
	C128	CK73FB1C106K	CHIP C	16V 10UF K	1	
	C129	CK73GB1H104K	CHIP C	50V 0.10UF K	1	
	C130	CK73FB1C106K	CHIP C	16V 10UF K	1	
	C135	CK73GB1H104K	CHIP C	50V 0.10UF K	1	
	C136	CK73GB1A105K	CHIP C	10V 1.0UF K	1	
	C138	CK73HB1A104K	CHIP C	10V 0.10UF K	1	
	C139	CK73FB1E475K	CHIP C	25V 4.7UF K	1	

MODEL	MARK	MODEL	MARK	MODEL	MARK	MODEL	MARK
DNX4210BT	E2	DNX5060EX	K3	DNX5190	K2	DNX6490BT	R1

Safe	Symbol No.	Parts No.	Parts Name	Description	QTY	Local
	C140	CK73HB1E104K	CHIP C	25V 0.10UF K	1	
	C141	CK73HB1E103K	CHIP C	25V 0.010UF K	1	
	C142	CK73GB1C225K	CHIP C	16V 2.2UF K	1	
	C200	CK73HB1A104K	CHIP C	10V 0.10UF K	1	
	C201	CK73HB1A104K	CHIP C	10V 0.10UF K	1	
	C202	CK73HB1A104K	CHIP C	10V 0.10UF K	1	
	C203	CK73HB1A104K	CHIP C	10V 0.10UF K	1	
	C204	CK73HB1A104K	CHIP C	10V 0.10UF K	1	
	C205	CK73HB1A104K	CHIP C	10V 0.10UF K	1	
	C206	CC73HCH1H150J	CHIP C	50V 15PF J	1	
	C207	CK73HB1A104K	CHIP C	10V 0.10UF K	1	
	C208	CC73HCH1H070D	CHIP C	50V 7.0PF D	1	
	C209	CK73HB0J105K	CHIP C	6.3V 1.0UF K	1	
	C210	CK73HB0J474K	CHIP C	6.3V 0.47UF K	1	
	C211	CK73HB1H222K	CHIP C	50V 2200PF K	1	
	C212	CK73HB1A104K	CHIP C	10V 0.10UF K	1	
	C213	CK73GB0J106M	CHIP C	6.3V 10UF M	1	
	C214	CK73GB0J106M	CHIP C	6.3V 10UF M	1	
	C215	CK73HB0J105K	CHIP C	6.3V 1.0UF K	1	
	C216	CK73HB0J105K	CHIP C	6.3V 1.0UF K	1	
	C217	CK73HB1A104K	CHIP C	10V 0.10UF K	1	
	C218	CK73GB0J106M	CHIP C	6.3V 10UF M	1	
	C219	CK73HB0J105K	CHIP C	6.3V 1.0UF K	1	
	C220	CK73HB0J105K	CHIP C	6.3V 1.0UF K	1	
	C221	CK73HB1H222K	CHIP C	50V 2200PF K	1	
	C222	CK73HB1H472K	CHIP C	50V 4700PF K	1	
	C223	CK73HB1H102K	CHIP C	50V 1000PF K	1	
	C224	CC73HCH1H101J	CHIP C	50V 100PF J	1	
	C225	CC73HCH1H101J	CHIP C	50V 100PF J	1	
	C400	CK73HB0J105K	CHIP C	6.3V 1.0UF K	1	
	C402	CK73HB0J105K	CHIP C	6.3V 1.0UF K	1	
	C403	CK73FB1E475K	CHIP C	25V 4.7UF K	1	
	C404	CK73GB1H104K	CHIP C	50V 0.10UF K	1	
	C405	CK73HB1E103K	CHIP C	25V 0.010UF K	1	
	C406	CK73HB0J105K	CHIP C	6.3V 1.0UF K	1	
	C407	CK73HB0J105K	CHIP C	6.3V 1.0UF K	1	
	C408	CK73HB1A104K	CHIP C	10V 0.10UF K	1	
	C409	CK73GB0J106M	CHIP C	6.3V 10UF M	1	
	C410	CK73HB1A104K	CHIP C	10V 0.10UF K	1	
	C411	CK73FB1E475K	CHIP C	25V 4.7UF K	1	
	C412	CK73HB1A104K	CHIP C	10V 0.10UF K	1	
	C413	CK73HB1E103K	CHIP C	25V 0.010UF K	1	
	C414	CK73GB0J106M	CHIP C	6.3V 10UF M	1	
	C415	CK73HB1E103K	CHIP C	25V 0.010UF K	1	
	C416	CK73HB0J105K	CHIP C	6.3V 1.0UF K	1	
	C417	CK73GB0J106M	CHIP C	6.3V 10UF M	1	
	C418	CK73HB1A104K	CHIP C	10V 0.10UF K	1	
	C419	CK73FB0J226M	CHIP C	22UF M	1	
	C420	CK73GB0J106M	CHIP C	6.3V 10UF M	1	
	C421	CK73GB0J106M	CHIP C	6.3V 10UF M	1	
	C422	CK73GB0J106M	CHIP C	6.3V 10UF M	1	
	C423	CK73GB0J106M	CHIP C	6.3V 10UF M	1	
	C424	CK73HB1A104K	CHIP C	10V 0.10UF K	1	
	C425	CK73HB1E103K	CHIP C	25V 0.010UF K	1	
	C426	CC73HCH1H101J	CHIP C	50V 100PF J	1	
	C427	CC73HCH1H101J	CHIP C	50V 100PF J	1	
	C428	CK73HB0J105K	CHIP C	6.3V 1.0UF K	1	
	C429	CK73HB0J105K	CHIP C	6.3V 1.0UF K	1	
	C430	CK73HB1E103K	CHIP C	25V 0.010UF K	1	
	C431	CK73HB1E103K	CHIP C	25V 0.010UF K	1	
	C432	CK73HB1A104K	CHIP C	10V 0.10UF K	1	
	C433	CK73HB1A104K	CHIP C	10V 0.10UF K	1	
	C434	CK73HB1A104K	CHIP C	10V 0.10UF K	1	
	C435	CK73GB0J106M	CHIP C	6.3V 10UF M	1	
	C436	CK73FB1C106K	CHIP C	16V 10UF K	1	
	C437	CK73FB1C106K	CHIP C	16V 10UF K	1	
	C438	CK73FB1C106K	CHIP C	16V 10UF K	1	
	C439	CK73FB1C106K	CHIP C	16V 10UF K	1	
	C440	CK73GB1H104K	CHIP C	50V 0.10UF K	1	
	C441	CK73HB1E103K	CHIP C	25V 0.010UF K	1	
	C442	CK73FB1C106K	CHIP C	16V 10UF K	1	
	C443	CK73GB0J106M	CHIP C	6.3V 10UF M	1	
	C444	CK73HB1A104K	CHIP C	10V 0.10UF K	1	
	C445	CK73HB1A104K	CHIP C	10V 0.10UF K	1	
	C446	CK73HB1A104K	CHIP C	10V 0.10UF K	1	
	C447	CK73GB0J106M	CHIP C	6.3V 10UF M	1	
	C448	CK73HB1A104K	CHIP C	10V 0.10UF K	1	
	C450	CC73HCH1H101J	CHIP C	50V 100PF J	1	
	C452	CK73HB1A104K	CHIP C	10V 0.10UF K	1	
	C453	CK73HB1A104K	CHIP C	10V 0.10UF K	1	
	C454	CK73HB1A104K	CHIP C	10V 0.10UF K	1	
	C458	CC73HCH1H220J	CHIP C	50V 22PF J	1	
	C464	CK73GB0J106M	CHIP C	6.3V 10UF M	1	
	C465	CK73HB1A104K	CHIP C	10V 0.10UF K	1	
	C466	CK73HB1A104K	CHIP C	10V 0.10UF K	1	
	C477	CK73HB1A104K	CHIP C	10V 0.10UF K	1	
	C479	CK73HB1E103K	CHIP C	25V 0.010UF K	1	
	C481	CK73HB1E103K	CHIP C	25V 0.010UF K	1	
	C483	CK73HB1A104K	CHIP C	10V 0.10UF K	1	
	C485	CK73HB1E103K	CHIP C	25V 0.010UF K	1	
	C487	CK73HB1A104K	CHIP C	10V 0.10UF K	1	
	C489	CK73HB1E103K	CHIP C	25V 0.010UF K	1	
	C490	CK73HB1A104K	CHIP C	10V 0.10UF K	1	

MODEL	MARK	MODEL	MARK	MODEL	MARK	MODEL	MARK
DNX4210BT	E2	DNX5060EX	K3	DNX5190	K2	DNX6490BT	R1

Safe	Symbol No.	Parts No.	Parts Name	Description	QTY	Local
	C491	CK73HB1A104K	CHIP C	10V 0.10UF K	1	
	C493	CK73GB0J475K	CHIP C	6.3V 4.7UF K	1	
	C495	CK73HB1A104K	CHIP C	10V 0.10UF K	1	
	C496	CK73HB1A104K	CHIP C	10V 0.10UF K	1	
	C498	CK73HB1A104K	CHIP C	10V 0.10UF K	1	
	C499	CK73HB1A104K	CHIP C	10V 0.10UF K	1	
	C500	CK73HB1A104K	CHIP C	10V 0.10UF K	1	
	C501	CK73HB1A104K	CHIP C	10V 0.10UF K	1	
	C502	CK73HB1A104K	CHIP C	10V 0.10UF K	1	
	C503	CK73HB1A104K	CHIP C	10V 0.10UF K	1	
	C504	CC73HCH1H120J	CHIP C	50V 12PF J	1	
	C505	CC73HCH1H070D	CHIP C	50V 7.0PF D	1	
	C506	CK73GB0J106M	CHIP C	6.3V 10UF M	1	
	C507	CK73HB1A104K	CHIP C	10V 0.10UF K	1	
	C508	CK73HB1H102K	CHIP C	50V 1000PF K	1	
	C509	CK73HB1H102K	CHIP C	50V 1000PF K	1	
	C510	CK73HB1H102K	CHIP C	50V 1000PF K	1	
	C511	CK73HB1H102K	CHIP C	50V 1000PF K	1	
	C512	CK73HB1H102K	CHIP C	50V 1000PF K	1	
	C513	CK73HB1H102K	CHIP C	50V 1000PF K	1	
	C514	CK73HB1H102K	CHIP C	50V 1000PF K	1	
	C515	CK73HB1H102K	CHIP C	50V 1000PF K	1	
	C516	CK73HB1H102K	CHIP C	50V 1000PF K	1	
	C517	CK73HB1H102K	CHIP C	50V 1000PF K	1	
	C518	CK73HB1H102K	CHIP C	50V 1000PF K	1	
	C519	CK73HB1H102K	CHIP C	50V 1000PF K	1	
	C520	CK73HB1H102K	CHIP C	50V 1000PF K	1	
	C521	CK73HB1H102K	CHIP C	50V 1000PF K	1	
	C522	CK73HB1E103K	CHIP C	25V 0.010UF K	1	
	C600	CK73GB0J106M	CHIP C	6.3V 10UF M	1	
	C700	CK73HB1A104K	CHIP C	10V 0.10UF K	1	
	C701	CK73HB1A104K	CHIP C	10V 0.10UF K	1	
	C704	CK73HB1A104K	CHIP C	10V 0.10UF K	1	
	C705	CK73HB1E103K	CHIP C	25V 0.010UF K	1	
	C706	CK73HB1E103K	CHIP C	25V 0.010UF K	1	
	C711	CK73GB0J106M	CHIP C	6.3V 10UF M	1	
	C717	CK73HB1A104K	CHIP C	10V 0.10UF K	1	
	C718	CK73GB1H102K	CHIP C	50V 1000PF K	1	
	C719	CK73GB0J106M	CHIP C	6.3V 10UF M	1	
	C720	CK73GB0J106M	CHIP C	6.3V 10UF M	1	
	C721	CK73GB0J475K	CHIP C	6.3V 4.7UF K	1	
	R1	RK73FB2B302J	CHIP R	3.0K J 1/8W	1	
	R2	RK73HB1J000J	CHIP R	0.0 J 1/16W	1	
	R3	RK73HB1J000J	CHIP R	0.0 J 1/16W	1	
	R6	RK73FB2B392J	CHIP R	3.9K J 1/8W	1	
	R8	RK73HH1J123D	CHIP R	12K D 1/16W	1	
	R9	RK73HH1J103D	CHIP R	10K D 1/16W	1	
	R10	RK73HB1J473J	CHIP R	47K J 1/16W	1	
	R11	RK73HB1J473J	CHIP R	47K J 1/16W	1	
	R12	RK73HB1J473J	CHIP R	47K J 1/16W	1	
	R13	RK73HB1J473J	CHIP R	47K J 1/16W	1	
	R14	RK73HB1J000J	CHIP R	0.0 J 1/16W	1	
	R15	RK73HB1J473J	CHIP R	47K J 1/16W	1	
	R16	RK73HB1J473J	CHIP R	47K J 1/16W	1	
	R17	RK73HB1J473J	CHIP R	47K J 1/16W	1	
	R18	RK73HB1J121J	CHIP R	120 J 1/16W	1	
	R19	RK73EB2E100J	CHIP R	10 J 1/4W	1	
	R20	RK73HB1J473J	CHIP R	47K J 1/16W	1	
	R21	RK73HB1J473J	CHIP R	47K J 1/16W	1	
	R22	RK73HH1J393D	CHIP R	39K D 1/16W	1	
	R23	RK73HB1J104J	CHIP R	100K J 1/16W	1	
	R24	RK73HB1J473J	CHIP R	47K J 1/16W	1	
	R25	RK73HB1J473J	CHIP R	47K J 1/16W	1	
	R26	RK73HB1J102J	CHIP R	1.0K J 1/16W	1	
	R27	RK73HH1J363D	CHIP R	36K D 1/16W	1	
	R28	RK73HH1J914D	CHIP R	910K D 1/16W	1	
	R29	RK73HH1J823D	CHIP R	82K D 1/16W	1	
	R31	RK73HB1J473J	CHIP R	47K J 1/16W	1	
	R32	RK73HB1J473J	CHIP R	47K J 1/16W	1	
	R101	RK73HB1J472J	CHIP R	4.7K J 1/16W	1	
	R102	RK73HB1J752J	CHIP R	7.5K J 1/16W	1	
	R104	RK73HB1J101J	CHIP R	100 J 1/16W	1	
	R105	RK73HB1J103J	CHIP R	10K J 1/16W	1	
	R106	RK73HH1J114D	CHIP R	110K D 1/16W	1	
	R107	RK73HH1J822D	CHIP R	8.2K D 1/16W	1	
	R108	RK73HB1J101J	CHIP R	100 J 1/16W	1	
	R109	RK73HB1J102J	CHIP R	1.0K J 1/16W	1	
	R110	RK73HB1J103J	CHIP R	10K J 1/16W	1	
	R113	RK73HH1J104D	CHIP R	100K D 1/16W	1	
	R114	RK73HH1J103D	CHIP R	10K D 1/16W	1	
	R115	RK73HB1J473J	CHIP R	47K J 1/16W	1	
	R116	RK73HB1J302J	CHIP R	3.0K J 1/16W	1	
	R117	RK73HB1J272J	CHIP R	2.7K J 1/16W	1	
	R118	RK73HB1J332J	CHIP R	3.3K J 1/16W	1	
	R119	RK73HB1J203J	CHIP R	20K J 1/16W	1	
	R120	RK73HH1J203D	CHIP R	20K D 1/16W	1	
	R121	RK73HH1J103D	CHIP R	10K D 1/16W	1	
	R122	RK73HH1J122D	CHIP R	1.2K D 1/16W	1	
	R123	RK73GB2A000J	CHIP R	0.0 J 1/10W 1608	1	
	R130	RK73HH1J153D	CHIP R	15K D 1/16W	1	
	R131	RK73HH1J123D	CHIP R	12K D 1/16W	1	
	R132	RK73HB1J472J	CHIP R	4.7K J 1/16W	1	

MODEL	MARK	MODEL	MARK	MODEL	MARK	MODEL	MARK
DNX4210BT	E2	DNX5060EX	K3	DNX5190	K2	DNX6490BT	R1

Safe	Symbol No.	Parts No.	Parts Name	Description	QTY	Local
R133		RK73HB1J472J	CHIP R	4.7K J 1/16W	1	
R134		RK73GB2A302J	CHIP R	3.0K J 1/10W	1	
R135		RK73HB1J103J	CHIP R	10K J 1/16W	1	
R136		RK73HB1J473J	CHIP R	47K J 1/16W	1	
R137		RK73HB1J104J	CHIP R	100K J 1/16W	1	
R138		RK73HB1J103J	CHIP R	10K J 1/16W	1	
R140		RK73HB1J104J	CHIP R	100K J 1/16W	1	
R141		RK73GB2A822J	CHIP R	8.2K J 1/10W	1	
R202		RK73HB1J473J	CHIP R	47K J 1/16W	1	
R203		RK73HB1J103J	CHIP R	10K J 1/16W	1	
R204		RK73HB1J103J	CHIP R	10K J 1/16W	1	
R205		RK73HB1J473J	CHIP R	47K J 1/16W	1	
R206		RK73HB1J473J	CHIP R	47K J 1/16W	1	
R207		RK73HB1J473J	CHIP R	47K J 1/16W	1	
R210		RK73HB1J473J	CHIP R	47K J 1/16W	1	
R211		RK73HB1J473J	CHIP R	47K J 1/16W	1	
R212		RK73HB1J101J	CHIP R	100 J 1/16W	1	
R213		RK73HB1J101J	CHIP R	100 J 1/16W	1	
R214		RK73HB1J101J	CHIP R	100 J 1/16W	1	
R215		RK73HB1J101J	CHIP R	100 J 1/16W	1	
R216		RK73HB1J101J	CHIP R	100 J 1/16W	1	
R217		RK73HB1J101J	CHIP R	100 J 1/16W	1	
R218		RK73HB1J101J	CHIP R	100 J 1/16W	1	
R219		RK73HB1J100J	CHIP R	10 J 1/16W	1	
R220		RK73HB1J100J	CHIP R	10 J 1/16W	1	
R221		RK73HB1J100J	CHIP R	10 J 1/16W	1	
R222		RK73HB1J473J	CHIP R	47K J 1/16W	1	
R223		RK73HB1J101J	CHIP R	100 J 1/16W	1	
R224		RK73HB1J101J	CHIP R	100 J 1/16W	1	
R225		RK73HB1J102J	CHIP R	1.0K J 1/16W	1	
R226		RK73HB1J101J	CHIP R	100 J 1/16W	1	
R227		RK73HB1J101J	CHIP R	100 J 1/16W	1	
R229		RK73HB1J473J	CHIP R	47K J 1/16W	1	
R230		RK73HB1J101J	CHIP R	100 J 1/16W	1	
R231		RK73HB1J473J	CHIP R	47K J 1/16W	1	
R233		RK73HB1J473J	CHIP R	47K J 1/16W	1	
R234		RK73HB1J101J	CHIP R	100 J 1/16W	1	
R236		RK73HB1J473J	CHIP R	47K J 1/16W	1	
R237		RK73HB1J103J	CHIP R	10K J 1/16W	1	
R238		RK73HB1J472J	CHIP R	4.7K J 1/16W	1	
R239		RK73HB1J472J	CHIP R	4.7K J 1/16W	1	
R240		RK73HB1J103J	CHIP R	10K J 1/16W	1	
R242		RK73HB1J101J	CHIP R	100 J 1/16W	1	
R243		RK73HB1J473J	CHIP R	47K J 1/16W	1	
R244		RK73HB1J222J	CHIP R	2.2K J 1/16W	1	
R245		RK73HB1J102J	CHIP R	1.0K J 1/16W	1	
R246		RK73HB1J473J	CHIP R	47K J 1/16W	1	
R247		RK73HB1J101J	CHIP R	100 J 1/16W	1	
R248		RK73HB1J101J	CHIP R	100 J 1/16W	1	
R249		RK73HB1J473J	CHIP R	47K J 1/16W	1	
R250		RK73HB1J101J	CHIP R	100 J 1/16W	1	
R251		RK73HB1J154J	CHIP R	150K J 1/16W	1	
R252		RK73HB1J101J	CHIP R	100 J 1/16W	1	
R253		RK73HB1J153J	CHIP R	15K J 1/16W	1	
R255		RK73HB1J101J	CHIP R	100 J 1/16W	1	
R256		RK73HB1J101J	CHIP R	100 J 1/16W	1	
R257		RK73HB1J473J	CHIP R	47K J 1/16W	1	
R258		RK73HB1J101J	CHIP R	100 J 1/16W	1	
R259		RK73HB1J101J	CHIP R	100 J 1/16W	1	
R260		RK73HB1J101J	CHIP R	100 J 1/16W	1	
R261		RK73HB1J101J	CHIP R	100 J 1/16W	1	
R262		RK73HB1J101J	CHIP R	100 J 1/16W	1	
R263		RK73HB1J102J	CHIP R	1.0K J 1/16W	1	
R264		RK73HB1J473J	CHIP R	47K J 1/16W	1	
R265		RK73HB1J101J	CHIP R	100 J 1/16W	1	
R266		RK73HB1J101J	CHIP R	100 J 1/16W	1	
R267		RK73HB1J471J	CHIP R	470 J 1/16W	1	
R268		RK73HB1J204J	CHIP R	200K J 1/16W	1	
R269		RK73HB1J103J	CHIP R	10K J 1/16W	1	
R270		RK73HB1J101J	CHIP R	100 J 1/16W	1	
R271		RK73HB1J101J	CHIP R	100 J 1/16W	1	
R272		RK73HB1J000J	CHIP R	0.0 J 1/16W	1	
R273		RK73HB1J000J	CHIP R	0.0 J 1/16W	1	
R274		RK73HB1J000J	CHIP R	0.0 J 1/16W	1	
R275		RK73HB1J000J	CHIP R	0.0 J 1/16W	1	
R276		RK73HB1J101J	CHIP R	100 J 1/16W	1	
R277		RK73HB1J101J	CHIP R	100 J 1/16W	1	
R278		RK73HB1J101J	CHIP R	100 J 1/16W	1	
R279		RK73HB1J101J	CHIP R	100 J 1/16W	1	
R280		RK73HB1J101J	CHIP R	100 J 1/16W	1	
R281		RK73HB1J101J	CHIP R	100 J 1/16W	1	
R283		RK73HB1J101J	CHIP R	100 J 1/16W	1	
R284		RK73HB1J101J	CHIP R	100 J 1/16W	1	
R285		RK73HB1J101J	CHIP R	100 J 1/16W	1	
R286		RK73HB1J100J	CHIP R	10 J 1/16W	1	
R287		RK73HB1J102J	CHIP R	1.0K J 1/16W	1	
R288		RK73HB1J123J	CHIP R	12K J 1/16W	1	
R289		RK73HB1J473J	CHIP R	47K J 1/16W	1	
R290		RK73HB1J473J	CHIP R	47K J 1/16W	1	
R291		RK73HB1J104J	CHIP R	100K J 1/16W	1	
R292		RK73HB1J473J	CHIP R	47K J 1/16W	1	
R293		RK73HB1J223J	CHIP R	22K J 1/16W	1	

MODEL	MARK	MODEL	MARK	MODEL	MARK	MODEL	MARK
DNX4210BT	E2	DNX5060EX	K3	DNX5190	K2	DNX6490BT	R1

Safe	Symbol No.	Parts No.	Parts Name	Description	QTY	Local
	R294	RK73HB1J473J	CHIP R	47K J 1/16W	1	
	R297	RK73HH1J103D	CHIP R	10K D 1/16W	1	
	R298	RK73HH1J133D	CHIP R	13K D 1/16W	1	
	R299	RK73HH1J471D	CHIP R	470 D 1/16W	1	
	R300	RK73HB1J222J	CHIP R	2.2K J 1/16W	1	
	R301	RK73HB1J222J	CHIP R	2.2K J 1/16W	1	
	R302	RK73HB1J222J	CHIP R	2.2K J 1/16W	1	
	R303	RK73HH1J153D	CHIP R	15K D 1/16W	1	
	R304	RK73HH1J622D	CHIP R	6.2K D 1/16W	1	
	R305	RK73HB1J473J	CHIP R	47K J 1/16W	1	
	R306	RK73HB1J473J	CHIP R	47K J 1/16W	1	
	R307	RK73HB1J473J	CHIP R	47K J 1/16W	1	
	R308	RK73HB1J000J	CHIP R	0.0 J 1/16W	1	
	R309	RK73HB1J102J	CHIP R	1.0K J 1/16W	1	
	R312	RK73HB1J153J	CHIP R	15K J 1/16W	1	
	R313	RK73HB1J102J	CHIP R	1.0K J 1/16W	1	
	R314	RK73HB1J473J	CHIP R	47K J 1/16W	1	
	R315	RK73HB1J000J	CHIP R	0.0 J 1/16W	1	
	R316	RK73HB1J472J	CHIP R	4.7K J 1/16W	1	
	R317	RK73HB1J472J	CHIP R	4.7K J 1/16W	1	
	R318	RK73HB1J103J	CHIP R	10K J 1/16W	1	
	R319	RK73HB1J473J	CHIP R	47K J 1/16W	1	
	R320	RK73HB1J102J	CHIP R	1.0K J 1/16W	1	
	R400	RK73HB1J103J	CHIP R	10K J 1/16W	1	
	R401	RK73HH1J912D	CHIP R	9.1K D 1/16W	1	
	R402	RK73HB1J101J	CHIP R	100 J 1/16W	1	
	R403	RK73HB1J101J	CHIP R	100 J 1/16W	1	
	R405	RK73HH1J472D	CHIP R	4.7K D 1/16W	1	
	R406	RK73HB1J472J	CHIP R	4.7K J 1/16W	1	
	R407	RK73HB1J473J	CHIP R	47K J 1/16W	1	
	R408	RK73HB1J473J	CHIP R	47K J 1/16W	1	
	R409	RK73EB2E392J	CHIP R	3.9K J 1/4W	1	
	R410	RK73HH1J123D	CHIP R	12K D 1/16W	1	
	R411	RK73HB1J473J	CHIP R	47K J 1/16W	1	
	R412	RK73HH1J123D	CHIP R	12K D 1/16W	1	
	R413	RK73HB1J101J	CHIP R	100 J 1/16W	1	
	R414	RK73HB1J103J	CHIP R	10K J 1/16W	1	
	R415	RK73HB1J102J	CHIP R	1.0K J 1/16W	1	
	R417	RK73HB1J471J	CHIP R	470 J 1/16W	1	
	R418	RK73HB1J104J	CHIP R	100K J 1/16W	1	
	R419	RK73HB1J000J	CHIP R	0.0 J 1/16W	1	
	R420	RK73HB1J000J	CHIP R	0.0 J 1/16W	1	
	R421	RK73HB1J330J	CHIP R	33 J 1/16W	1	
	R422	RK73HB1J330J	CHIP R	33 J 1/16W	1	
	R423	RK73HB1J101J	CHIP R	100 J 1/16W	1	
	R424	RK73HB1J330J	CHIP R	33 J 1/16W	1	
	R425	RK73HB1J000J	CHIP R	0.0 J 1/16W	1	
	R426	RK73HB1J101J	CHIP R	100 J 1/16W	1	
	R427	RK73HB1J101J	CHIP R	100 J 1/16W	1	
	R429	RK73HB1J470J	CHIP R	47 J 1/16W	1	
	R430	RK73HB1J470J	CHIP R	47 J 1/16W	1	
	R431	RK73HB1J473J	CHIP R	47K J 1/16W	1	
	R432	RK73HB1J101J	CHIP R	100 J 1/16W	1	
	R433	RK73HH1J822D	CHIP R	8.2K D 1/16W	1	
	R434	RK73HH1J472D	CHIP R	4.7K D 1/16W	1	
	R435	RK73HB1J473J	CHIP R	47K J 1/16W	1	
	R436	RK73HH1J752D	CHIP R	7.5K D 1/16W	1	
	R437	RK73HH1J153D	CHIP R	15K D 1/16W	1	
	R438	RK73HB1J473J	CHIP R	47K J 1/16W	1	
	R439	RK73HH1J103D	CHIP R	10K D 1/16W	1	
	R440	RK73HB1J473J	CHIP R	47K J 1/16W	1	
	R441	RK73HB1J473J	CHIP R	47K J 1/16W	1	
	R442	RK73HB1J101J	CHIP R	100 J 1/16W	1	
	R443	RK73HB1J101J	CHIP R	100 J 1/16W	1	
	R444	RK73HB1J101J	CHIP R	100 J 1/16W	1	
	R445	RK73HB1J101J	CHIP R	100 J 1/16W	1	
	R446	RK73HB1J101J	CHIP R	100 J 1/16W	1	
	R447	RK73HB1J101J	CHIP R	100 J 1/16W	1	
	R448	RK73HB1J101J	CHIP R	100 J 1/16W	1	
	R449	RK73HB1J101J	CHIP R	100 J 1/16W	1	
	R451	RK73HB1J101J	CHIP R	100 J 1/16W	1	
	R453	RK73EB2E102J	CHIP R	1.0K J 1/4W	1	
	R454	RK73HB1J103J	CHIP R	10K J 1/16W	1	
	R455	RK73HB1J473J	CHIP R	47K J 1/16W	1	
	R456	RK73HB1J470J	CHIP R	47 J 1/16W	1	
	R457	RK73HB1J472J	CHIP R	4.7K J 1/16W	1	
	R458	RK73HB1J472J	CHIP R	4.7K J 1/16W	1	
	R459	RK73HB1J472J	CHIP R	4.7K J 1/16W	1	
	R460	RK73HB1J101J	CHIP R	100 J 1/16W	1	
	R461	RK73HB1J472J	CHIP R	4.7K J 1/16W	1	
	R462	RK73HB1J472J	CHIP R	4.7K J 1/16W	1	
	R463	RK73HB1J101J	CHIP R	100 J 1/16W	1	
	R464	RK73HB1J472J	CHIP R	4.7K J 1/16W	1	
	R465	RK73HH1J220D	CHIP R	22 D 1/16W	1	
	R466	RK73HB1J101J	CHIP R	100 J 1/16W	1	
	R467	RK73HB1J101J	CHIP R	100 J 1/16W	1	
	R468	RK73HH1J241D	CHIP R	240 D 1/16W	1	
	R469	RK73HB1J101J	CHIP R	100 J 1/16W	1	
	R470	RK73HB1J270J	CHIP R	27 J 1/16W	1	
	R471	RK73HB1J100J	CHIP R	10 J 1/16W	1	
	R472	RK73HB1J121J	CHIP R	120 J 1/16W	1	
	R473	RK73HH1J620D	CHIP R	62 D 1/16W	1	
	R474	RK73HH1J161D	CHIP R	160 D 1/16W	1	

MODEL	MARK	MODEL	MARK	MODEL	MARK	MODEL	MARK
DNX4210BT	E2	DNX5060EX	K3	DNX5190	K2	DNX6490BT	R1

Safe	Symbol No.	Parts No.	Parts Name	Description	QTY	Local
	R476	RK73HH1J430D	CHIP R	43 D 1/16W	1	
	R477	RK73HH1J390D	CHIP R	39 D 1/16W	1	
	R478	RK73HH1J102D	CHIP R	1.0K D 1/16W	1	
	R479	RK73HH1J181D	CHIP R	180 D 1/16W	1	
	R480	RK73HH1J181D	CHIP R	180 D 1/16W	1	
	R481	RK73HH1J181D	CHIP R	180 D 1/16W	1	
	R482	RK73HH1J101D	CHIP R	100 D 1/16W	1	
	R483	RK73HH1J161D	CHIP R	160 D 1/16W	1	
	R484	RK73HH1J470D	CHIP R	47 D 1/16W	1	
	R485	RK73HH1J101D	CHIP R	100 D 1/16W	1	
	R486	RK73HH1J102D	CHIP R	1.0K D 1/16W	1	
	R487	RK73HH1J390D	CHIP R	39 D 1/16W	1	
	R488	RK73HH1J430D	CHIP R	43 D 1/16W	1	
	R489	RK73HH1J470D	CHIP R	47 D 1/16W	1	
	R490	RK73HH1J161D	CHIP R	160 D 1/16W	1	
	R491	RK73HH1J820D	CHIP R	82 D 1/16W	1	
	R492	RK73HH1J470D	CHIP R	47 D 1/16W	1	
	R493	RK73HB1J470J	CHIP R	47 J 1/16W	1	
	R494	RK73HB1J121J	CHIP R	120 J 1/16W	1	
	R495	RK73HB1J105J	CHIP R	1.0M J 1/16W	1	
	R496	RK73HB1J470J	CHIP R	47 J 1/16W	1	
	R497	RK73HB1J121J	CHIP R	120 J 1/16W	1	
	R498	RK73HB1J470J	CHIP R	47 J 1/16W	1	
	R499	RK73HB1J121J	CHIP R	120 J 1/16W	1	
	R500	RK73HB1J121J	CHIP R	120 J 1/16W	1	
	R501	RK73HB1J101J	CHIP R	100 J 1/16W	1	
	R502	RK73HB1J222J	CHIP R	2.2K J 1/16W	1	
	R503	RK73HB1J103J	CHIP R	10K J 1/16W	1	
	R504	RK73HB1J101J	CHIP R	100 J 1/16W	1	
	R505	RK73HB1J473J	CHIP R	47K J 1/16W	1	
	R506	RK73HB1J100J	CHIP R	10 J 1/16W	1	
	R507	RK73HB1J100J	CHIP R	10 J 1/16W	1	
	R511	RK73GB2A102J	CHIP R	1.0K J 1/10W	1	
	R512	RK73HB1J100J	CHIP R	10 J 1/16W	1	
	R513	RK73HB1J100J	CHIP R	10 J 1/16W	1	
	R514	RK73HB1J102J	CHIP R	1.0K J 1/16W	1	
	R515	RK73HB1J102J	CHIP R	1.0K J 1/16W	1	
	R600	RK73HB1J102J	CHIP R	1.0K J 1/16W	1	
	R601	RK73HB1J102J	CHIP R	1.0K J 1/16W	1	
	R604	RK73HB1J222J	CHIP R	2.2K J 1/16W	1	
	R605	RK73HB1J102J	CHIP R	1.0K J 1/16W	1	
	R606	RK73HB1J473J	CHIP R	47K J 1/16W	1	
	R607	RK73HB1J473J	CHIP R	47K J 1/16W	1	
	R608	RK73HB1J222J	CHIP R	2.2K J 1/16W	1	
	R609	RK73HB1J102J	CHIP R	1.0K J 1/16W	1	
	R610	RK73HB1J473J	CHIP R	47K J 1/16W	1	
	R611	RK73HB1J473J	CHIP R	47K J 1/16W	1	
	R612	RK73GH2A100D	CHIP R	10 D 1/10W	1	
	R613	RK73GH2A220D	CHIP R	22 D 1/10W	1	
	R614	RK73GH2A100D	CHIP R	10 D 1/10W	1	
	R615	RK73GH2A220D	CHIP R	22 D 1/10W	1	
	R616	RK73HB1J224J	CHIP R	220K J 1/16W	1	
	R617	RK73GB2A100J	CHIP R	10 J 1/10W	1	
	R618	RK73GB2A100J	CHIP R	10 J 1/10W	1	
	R619	RK73GB2A100J	CHIP R	10 J 1/10W	1	
	R620	RK73GB2A100J	CHIP R	10 J 1/10W	1	
	R621	RK73HB1J000J	CHIP R	0.0 J 1/16W	1	
	R622	RK73HB1J000J	CHIP R	0.0 J 1/16W	1	
	R624	RK73HH1J223D	CHIP R	22K D 1/16W	1	
	R625	RK73HH1J473D	CHIP R	47K D 1/16W	1	
	R626	RK73HH1J102D	CHIP R	1.0K D 1/16W	1	
	R718	RK73HB1J473J	CHIP R	47K J 1/16W	1	
	R719	RK73GH2A301D	CHIP R	300 D 1/10W	1	
	R721	RK73HB1J473J	CHIP R	47K J 1/16W	1	
	R722	RK73GH2A301D	CHIP R	300 D 1/10W	1	
	R724	RK73HB1J473J	CHIP R	47K J 1/16W	1	
	R725	RK73GH2A301D	CHIP R	300 D 1/10W	1	
	R727	RK73HB1J103J	CHIP R	10K J 1/16W	1	
	R728	RK73GB2A103J	CHIP R	10K J 1/10W	1	
	R729	RK73GB2A103J	CHIP R	10K J 1/10W	1	
	R730	RK73HB1J103J	CHIP R	10K J 1/16W	1	
	R736	RK73HB1J100J	CHIP R	10 J 1/16W	1	
	R746	RK73GB2A100J	CHIP R	10 J 1/10W	1	
	R747	RK73GB2A100J	CHIP R	10 J 1/10W	1	
	R748	RK73GB2A100J	CHIP R	10 J 1/10W	1	
	R749	RK73GB2A101J	CHIP R	100 J 1/10W	1	
	R750	RK73GB2A101J	CHIP R	100 J 1/10W	1	
	R751	RK73GB2A100J	CHIP R	10 J 1/10W	1	
	R752	RK73GB2A100J	CHIP R	10 J 1/10W	1	
	R753	RK73GB2A100J	CHIP R	10 J 1/10W	1	
	R754	RK73GB2A101J	CHIP R	100 J 1/10W	1	
	R755	RK73GB2A100J	CHIP R	10 J 1/10W	1	
	R765	RK73GB2A4R7J	CHIP R	4.7 J 1/10W	1	
	R767	RK73GB2A100J	CHIP R	10 J 1/10W	1	
	R769	RK73GB2A000J	CHIP R	0.0 J 1/10W 1608	1	
	R770	RK73GB2A000J	CHIP R	0.0 J 1/10W 1608	1	
	R771	RK73GB2A000J	CHIP R	0.0 J 1/10W 1608	1	
	R772	RK73GB2A000J	CHIP R	0.0 J 1/10W 1608	1	
	R773	RK73GB2A000J	CHIP R	0.0 J 1/10W 1608	1	
	R774	RK73GB2A000J	CHIP R	0.0 J 1/10W 1608	1	
	R777	RK73GB2A100J	CHIP R	10 J 1/10W	1	
	R781	RK73EB2E102J	CHIP R	1.0K J 1/4W	1	

MODEL	MARK	MODEL	MARK	MODEL	MARK	MODEL	MARK
DNX4210BT	E2	DNX5060EX	K3	DNX5190	K2	DNX6490BT	R1

Safe	Symbol No.	Parts No.	Parts Name	Description	QTY	Local
	R782	RK73EB2E102J	CHIP R	1.0K J 1/4W	1	
	R783	RK73EB2E102J	CHIP R	1.0K J 1/4W	1	
	R785	RK73HH1J301D	CHIP R	300 D 1/16W	1	
	R787	RK73HH1J301D	CHIP R	300 D 1/16W	1	
	R788	RK73HH1J301D	CHIP R	300 D 1/16W	1	
	R789	RK73GB2A100J	CHIP R	10 J 1/10W	1	
	R790	RK73GB2A4R7J	CHIP R	4.7 J 1/10W	1	
	L1	L33-2583-05	CHOKE COIL	4x4 10U	1	
	L2	L33-2607-05	CHOKE COIL	8x8 47U	1	
	L3	L92-0364-05	CHIP FERRITE		1	
	L100	L33-2583-05	CHOKE COIL	4x4 10U	1	
	L101	L33-2619-05	SMALL FIXED INDUCTOR	10U	1	
	L102	L41-1001-62	SMALL FIXED INDUCTOR	10U	1	
	L103	L33-2611-05	CHOKE COIL	4x4 5.1UH	1	
	L104	L41-1001-62	SMALL FIXED INDUCTOR	10U	1	
	L105	L41-1001-62	SMALL FIXED INDUCTOR	10U	1	
	L106	L92-0180-05	CHIP FERRITE	1K	1	
	L200	L92-0332-05	CHIP FERRITE		1	
	L202	L92-0332-05	CHIP FERRITE		1	
	L400	L92-0180-05	CHIP FERRITE	1K	1	
	L401	L92-0180-05	CHIP FERRITE	1K	1	
	L402	L41-1001-62	SMALL FIXED INDUCTOR	10U	1	
	L403	L92-0180-05	CHIP FERRITE	1K	1	
	L404	L92-0180-05	CHIP FERRITE	1K	1	
	L405	L92-0373-05	CHIP FERRITE		1	
	L406	L92-0180-05	CHIP FERRITE	1K	1	
	L407	L92-0668-05	CHIP FERRITE		1	
	L408	L92-0668-05	CHIP FERRITE		1	
	L409	L92-0180-05	CHIP FERRITE	1K	1	
	L410	L92-0180-05	CHIP FERRITE	1K	1	
	L411	L92-0180-05	CHIP FERRITE	1K	1	
	L412	L41-2281-15	SMALL FIXED INDUCTOR	220NH	1	
	L413	L92-0180-05	CHIP FERRITE	1K	1	
	L414	L92-0172-05	CHIP FERRITE	470	1	
	L415	L92-0172-05	CHIP FERRITE	470	1	
	L416	L92-0172-05	CHIP FERRITE	470	1	
	L417	L92-0172-05	CHIP FERRITE	470	1	
	L418	L92-0172-05	CHIP FERRITE	470	1	
	L419	L92-0172-05	CHIP FERRITE	470	1	
	L420	L92-0172-05	CHIP FERRITE	470	1	
	L421	L92-0172-05	CHIP FERRITE	470	1	
	L422	L92-0172-05	CHIP FERRITE	470	1	
	L423	L92-0172-05	CHIP FERRITE	470	1	
	L424	L92-0172-05	CHIP FERRITE	470	1	
	L425	L92-0172-05	CHIP FERRITE	470	1	
	L427	L92-0172-05	CHIP FERRITE	470	1	
	L428	L92-0172-05	CHIP FERRITE	470	1	
	L429	L92-0172-05	CHIP FERRITE	470	1	
	L430	L92-0172-05	CHIP FERRITE	470	1	
	L431	L92-0172-05	CHIP FERRITE	470	1	
	L432	L92-0172-05	CHIP FERRITE	470	1	
	L433	L92-0180-05	CHIP FERRITE	1K	1	
	L434	L92-0180-05	CHIP FERRITE	1K	1	
	L435	L92-0180-05	CHIP FERRITE	1K	1	
	L436	L92-0180-05	CHIP FERRITE	1K	1	
	L600	L41-1001-62	SMALL FIXED INDUCTOR	10U	1	
	CN1	E41-2615-05	FLAT CABLE CONNECTOR	10P 0.5MM SIDE FLIP	1	
	CN200	E41-2248-05	PIN ASSY	8P 1MM SIDE	1	
	CN400	E41-2812-15	FLAT CABLE CONNECTOR	60PIN	1	
	CN401	E41-2985-05	FLAT CABLE CONNECTOR	70PIN/FRONT LOCK	1	
	CN600	E41-2276-05	FLAT CABLE CONNECTOR	AU/9617S-04A-TC	1	
	CN700	E41-3269-05	FLAT CABLE CONNECTOR	24PIN AU	1	
	CP400	RK74HB1J121J	CHIP-COM	120 J 1/16W	1	
	CP401	RK74HB1J121J	CHIP-COM	120 J 1/16W	1	
	CP402	RK74HB1J121J	CHIP-COM	120 J 1/16W	1	
	CP403	RK74HB1J121J	CHIP-COM	120 J 1/16W	1	
	CP404	RK74HB1J121J	CHIP-COM	120 J 1/16W	1	
	F100	F53-0280-05	FUSE 0.63A	0.63A	1	
	X200	L77-3846-05	CRYSTAL RESONATOR	12MHZ	1	
	X400	L77-3850-05	CRYSTAL RESONATOR	12MHZ 15PPM 30PPM	1	

DVD UNIT (X37-1300-02) IN DVD MECHA <X37>

IC1	MN2DS0016AA	IC			1	
IC5	-	ROM IC		E29LV32BT7TIP	1	
IC10	AN41250A-VB	ANALOGUE IC			1	
IC54	M12L1281687L	DRAM IC			1	
IC59	XC9223B082A1	MOS-IC			1	
IC61	AK4387ET	MOS-IC			1	
Q1	RT1P432U-T111	TRANSISTOR		R2/R1: 10K/4.7K PNP	1	
Q2	RT1P432U-T111	TRANSISTOR		R2/R1: 10K/4.7K PNP	1	
Q4	RT1P432U-T111	TRANSISTOR		R2/R1: 10K/4.7K PNP	1	
Q10	2SC5383-T1(F)	TRANSISTOR			1	
Q11	2SC5383-T1(F)	TRANSISTOR			1	

MODEL	MARK	MODEL	MARK	MODEL	MARK	MODEL	MARK
DNX4210BT	E2	DNX5060EX	K3	DNX5190	K2	DNX6490BT	R1

Safe	Symbol No.	Parts No.	Parts Name	Description	QTY	Local
	Q12	KTA1532T-PW	TRANSISTOR		1	
	Q13	KTA1532T-PW	TRANSISTOR		1	
	Q14	2SK3019	FET		1	
	Q15	2SK3019	FET		1	
	Q33	2SA1774	TRANSISTOR		1	
	Q34	2SA1774	TRANSISTOR		1	
	Q35	2SA1774	TRANSISTOR		1	
	Q36	2SA1774	TRANSISTOR		1	
	C5	CK73HB1E103K	CHIP C	25V 0.010UF K	1	
	C6	CK73HB1E103K	CHIP C	25V 0.010UF K	1	
	C7	CK73HB1E103K	CHIP C	25V 0.010UF K	1	
	C11	CK73HB1E103K	CHIP C	25V 0.010UF K	1	
	C15	CK73HB1A104K	CHIP C	10V 0.10UF K	1	
	C16	CK73FB0J106K	CHIP C	6.3V 10UF K	1	
	C17	CK73GB0J475K	CHIP C	6.3V 4.7UF K	1	
	C72	CK73HB1A104K	CHIP C	10V 0.10UF K	1	
	C100	CK73HB1A104K	CHIP C	10V 0.10UF K	1	
	C102	CK73HB1A104K	CHIP C	10V 0.10UF K	1	
	C106	CK73HB1A104K	CHIP C	10V 0.10UF K	1	
	C109	CK73HB1A104K	CHIP C	10V 0.10UF K	1	
	C111	CK73HB1C333K	CHIP C	16V 0.033UF K	1	
	C113	CK73HB1A104K	CHIP C	10V 0.10UF K	1	
	C114	CK73GB1H562K	CHIP C	50V 5600PF K	1	
	C115	CK73HB1C183K	CHIP C	16V 0.018UF K	1	
	C117	CK73HB1A104K	CHIP C	10V 0.10UF K	1	
	C118	CK73HB0J105K	CHIP C	6.3V 1.0UF K	1	
	C120	CK73HB1A104K	CHIP C	10V 0.10UF K	1	
	C121	CK73HB1A104K	CHIP C	10V 0.10UF K	1	
	C122	CK73GB0J475K	CHIP C	6.3V 4.7UF K	1	
	C126	CK73HB1A104K	CHIP C	10V 0.10UF K	1	
	C127	CK73HB1A104K	CHIP C	10V 0.10UF K	1	
	C128	CK73HB1A104K	CHIP C	10V 0.10UF K	1	
	C129	CK73HB1A104K	CHIP C	10V 0.10UF K	1	
	C130	CC73HCH1H151J	CHIP C	50V 150PF J	1	
	C131	CC73HCH1H151J	CHIP C	50V 150PF J	1	
	C132	CC73HCH1H151J	CHIP C	50V 150PF J	1	
	C133	CC73HCH1H151J	CHIP C	50V 150PF J	1	
	C134	CC73HCH1H102J	CHIP C	50V 1000PF J	1	
	C137	CK73HB0J105K	CHIP C	6.3V 1.0UF K	1	
	C138	CK73HB0J105K	CHIP C	6.3V 1.0UF K	1	
	C143	CC73HCH1H100D	CHIP C	50V 10PF D	1	
	C144	CC73HCH1H100D	CHIP C	50V 10PF D	1	
	C145	CK73HB1A104K	CHIP C	10V 0.10UF K	1	
	C148	CK73HB1A104K	CHIP C	10V 0.10UF K	1	
	C153	CK73HB1A104K	CHIP C	10V 0.10UF K	1	
	C158	CK73HB1A104K	CHIP C	10V 0.10UF K	1	
	C200	CK73FB0J106K	CHIP C	6.3V 10UF K	1	
	C201	CK73FB0J106K	CHIP C	6.3V 10UF K	1	
	C202	CK73FB0J106K	CHIP C	6.3V 10UF K	1	
	C203	CK73FB0J106K	CHIP C	6.3V 10UF K	1	
	C271	CC73HCH1H102J	CHIP C	50V 1000PF J	1	
	C272	CK73HB0J105K	CHIP C	6.3V 1.0UF K	1	
	C302	CK73FB0J226M	CHIP C	22UF M	1	
	C434	CK73FB0J106K	CHIP C	6.3V 10UF K	1	
	C435	CK73HB1E103K	CHIP C	25V 0.010UF K	1	
	C443	CK73FB0J226M	CHIP C	22UF M	1	
	C450	CK73HB1A104K	CHIP C	10V 0.10UF K	1	
	C454	CK73HB1A104K	CHIP C	10V 0.10UF K	1	
	C455	CK73HB1A104K	CHIP C	10V 0.10UF K	1	
	C461	CK73HB1H472K	CHIP C	50V 4700PF K	1	
	C462	CK73HB1E103K	CHIP C	25V 0.010UF K	1	
	C467	CC73HCH1H121J	CHIP C	50V 120PF J	1	
	C468	CK73HB1A104K	CHIP C	10V 0.10UF K	1	
	C469	CK73HB1A104K	CHIP C	10V 0.10UF K	1	
	C476	CC73HCH1H101J	CHIP C	50V 100PF J	1	
	C498	CK73FB0J226M	CHIP C	22UF M	1	
	C510	CC73HCH1H102J	CHIP C	50V 1000PF J	1	
	C511	CK73GB0J475K	CHIP C	6.3V 4.7UF K	1	
	C521	CK73HB1A104K	CHIP C	10V 0.10UF K	1	
	C531	CK73HB1A104K	CHIP C	10V 0.10UF K	1	
	C532	CK73HB1A104K	CHIP C	10V 0.10UF K	1	
	C533	CK73HB1A104K	CHIP C	10V 0.10UF K	1	
	C534	CK73HB1A104K	CHIP C	10V 0.10UF K	1	
	C535	CK73HB1A104K	CHIP C	10V 0.10UF K	1	
	C536	CK73HB1A104K	CHIP C	10V 0.10UF K	1	
	C537	CK73HB1A104K	CHIP C	10V 0.10UF K	1	
	C538	CK73HB1A104K	CHIP C	10V 0.10UF K	1	
	C539	CK73HB1A104K	CHIP C	10V 0.10UF K	1	
	C541	CK73HB1A104K	CHIP C	10V 0.10UF K	1	
	C542	CK73HB1A104K	CHIP C	10V 0.10UF K	1	
	C543	CK73HB1A104K	CHIP C	10V 0.10UF K	1	
	C544	CK73HB1A104K	CHIP C	10V 0.10UF K	1	
	C545	CK73HB1A104K	CHIP C	10V 0.10UF K	1	
	C546	CK73HB1A104K	CHIP C	10V 0.10UF K	1	
	C548	CK73HB1A104K	CHIP C	10V 0.10UF K	1	
	C549	CK73HB1A104K	CHIP C	10V 0.10UF K	1	
	C551	CK73HB1A104K	CHIP C	10V 0.10UF K	1	
	C552	CK73FB0J226M	CHIP C	22UF M	1	
	C553	CK73HB0J105K	CHIP C	6.3V 1.0UF K	1	
	C554	CK73FB0J106K	CHIP C	6.3V 10UF K	1	
	C557	CC73HCH1H680J	CHIP C	50V 68PF J	1	
	C558	CK73HB1A104K	CHIP C	10V 0.10UF K	1	

MODEL	MARK	MODEL	MARK	MODEL	MARK	MODEL	MARK
DNX4210BT	E2	DNX5060EX	K3	DNX5190	K2	DNX6490BT	R1

Safe	Symbol No.	Parts No.	Parts Name	Description	QTY	Local
	C561	CK73HB0J105K	CHIP C	6.3V 1.0UF K	1	
	C562	CK73HB1A104K	CHIP C	10V 0.10UF K	1	
	C564	CK73HB1A104K	CHIP C	10V 0.10UF K	1	
	C565	CK73HB1A104K	CHIP C	10V 0.10UF K	1	
	C566	CK73FB0J106K	CHIP C	6.3V 10UF K	1	
	C567	CK73HB0J105K	CHIP C	6.3V 1.0UF K	1	
	C805	CC73HCH1H102J	CHIP C	50V 1000PF J	1	
	C809	CC73HCH1H471J	CHIP C	50V 470PF J	1	
	C810	CC73HCH1H471J	CHIP C	50V 470PF J	1	
	C811	CC73HCH1H102J	CHIP C	50V 1000PF J	1	
	C812	CC73HCH1H102J	CHIP C	50V 1000PF J	1	
	C813	CK73HB1H472K	CHIP C	50V 4700PF K	1	
	C814	CK73HB1H472K	CHIP C	50V 4700PF K	1	
	C815	CK73FB0J106K	CHIP C	6.3V 10UF K	1	
	C816	CC73HCH1H102J	CHIP C	50V 1000PF J	1	
	C817	CC73HCH1H102J	CHIP C	50V 1000PF J	1	
	C818	CC73HCH1H102J	CHIP C	50V 1000PF J	1	
	C819	CC73HCH1H102J	CHIP C	50V 1000PF J	1	
	C820	CK73HB1A104K	CHIP C	10V 0.10UF K	1	
	C821	CC73HCH1H102J	CHIP C	50V 1000PF J	1	
	C822	CC73HCH1H102J	CHIP C	50V 1000PF J	1	
	R2	RK73HB1J103J	CHIP R	10K J 1/16W	1	
	R3	RK73HB1J103J	CHIP R	10K J 1/16W	1	
	R4	RK73HB1J103J	CHIP R	10K J 1/16W	1	
	R10	RK73HB1J163J	CHIP R	16K J 1/16W	1	
	R16	RK73HB1J103J	CHIP R	10K J 1/16W	1	
	R17	RK73HB1J271J	CHIP R	270 J 1/16W	1	
	R19	RK73HB1J301J	CHIP R	300 J 1/16W	1	
	R21	RK73HB1J103J	CHIP R	10K J 1/16W	1	
	R22	RK73HB1J103J	CHIP R	10K J 1/16W	1	
	R80	RK73HB1J220J	CHIP R	22 J 1/16W	1	
	R81	RK73HB1J470J	CHIP R	47 J 1/16W	1	
	R84	RK73HB1J202J	CHIP R	2.0K J 1/16W	1	
	R85	RK73HB1J202J	CHIP R	2.0K J 1/16W	1	
	R86	RK73HB1J105J	CHIP R	1.0M J 1/16W	1	
	R87	RK73HB1J102J	CHIP R	1.0K J 1/16W	1	
	R89	RK73HH1J303D	CHIP R	30K D 1/16W	1	
	R90	RK73HB1J223J	CHIP R	22K J 1/16W	1	
	R92	RK73HH1J123D	CHIP R	12K D 1/16W	1	
	R94	RK73HH1J512D	CHIP R	5.1K D 1/16W	1	
	R112	RK73HB1J101J	CHIP R	100 J 1/16W	1	
	R113	RK73HB1J101J	CHIP R	100 J 1/16W	1	
	R116	RK73HB1J103J	CHIP R	10K J 1/16W	1	
	R119	RK73HB1J103J	CHIP R	10K J 1/16W	1	
	R150	RK73HB1J100J	CHIP R	10 J 1/16W	1	
	R151	RK73HB1J100J	CHIP R	10 J 1/16W	1	
	R152	RK73HB1J471J	CHIP R	470 J 1/16W	1	
	R153	RK73HB1J471J	CHIP R	470 J 1/16W	1	
	R154	RK73HB1J751J	CHIP R	750 J 1/16W	1	
	R155	RK73HB1J751J	CHIP R	750 J 1/16W	1	
	R156	RK73HB1J560J	CHIP R	56 J 1/16W	1	
	R157	RK73HB1J560J	CHIP R	56 J 1/16W	1	
	R158	RK73HB1J2R2J	CHIP R	2.2 J 1/16W	1	
	R159	RK73HB1J2R2J	CHIP R	2.2 J 1/16W	1	
	R164	RK73HB1J101J	CHIP R	100 J 1/16W	1	
	R165	RK73HB1J101J	CHIP R	100 J 1/16W	1	
	R200	RK73HH1J201D	CHIP R	200 D 1/16W	1	
	R400	RK73HB1J470J	CHIP R	47 J 1/16W	1	
	R401	RK73HB1J470J	CHIP R	47 J 1/16W	1	
	R409	RK73HB1J470J	CHIP R	47 J 1/16W	1	
	R410	RK73HB1J102J	CHIP R	1.0K J 1/16W	1	
	R411	RK73HB1J102J	CHIP R	1.0K J 1/16W	1	
	R470	RK73HB1J103J	CHIP R	10K J 1/16W	1	
	R475	RK73GB2A2R2J	CHIP R	2.2 J 1/10W	1	
	R476	RK73GB2A4R7J	CHIP R	4.7 J 1/10W	1	
	R478	RK73HB1J472J	CHIP R	4.7K J 1/16W	1	
	R481	RK73HH1J203D	CHIP R	20K D 1/16W	1	
	R485	RK73HB1J102J	CHIP R	1.0K J 1/16W	1	
	R486	RK73HB1J102J	CHIP R	1.0K J 1/16W	1	
	R487	RK73HB1J103J	CHIP R	10K J 1/16W	1	
	R497	RK73HB1J102J	CHIP R	1.0K J 1/16W	1	
	R501	RK73HB1J132J	CHIP R	1.3K J 1/16W	1	
	R502	RK73HB1J333J	CHIP R	33K J 1/16W	1	
	R503	RK73HB1J203J	CHIP R	20K J 1/16W	1	
	R504	RK73HB1J242J	CHIP R	2.4K J 1/16W	1	
	R505	RK73HB1J821J	CHIP R	820 J 1/16W	1	
	R511	RK73HB1J103J	CHIP R	10K J 1/16W	1	
	R512	RK73HB1J103J	CHIP R	10K J 1/16W	1	
	R523	RK73HB1J4R7J	CHIP R	4.7 J 1/16W	1	
	R524	RK73HB1J4R7J	CHIP R	4.7 J 1/16W	1	
	R588	RK73GB2A4R7J	CHIP R	4.7 J 1/10W	1	
	R591	RK73HB1J820J	CHIP R	82 J 1/16W	1	
	R615	RK73HB1J1R0J	CHIP R	1.0 J 1/16W	1	
	R621	RK73HB1J103J	CHIP R	10K J 1/16W	1	
	R622	RK73HB1J333J	CHIP R	33K J 1/16W	1	
	R630	R92-5573-05	CHIP R	0.27 J 1/2W	1	
	R631	RK73HB1J103J	CHIP R	10K J 1/16W	1	
	R632	RK73HB1J103J	CHIP R	10K J 1/16W	1	
	R633	RK73HB1J103J	CHIP R	10K J 1/16W	1	
	R634	RK73HB1J103J	CHIP R	10K J 1/16W	1	
	R651	RK73HB1J102J	CHIP R	1.0K J 1/16W	1	
	R653	RK73HB1J102J	CHIP R	1.0K J 1/16W	1	
	R654	RK73HB1J330J	CHIP R	33 J 1/16W	1	

MODEL	MARK	MODEL	MARK	MODEL	MARK	MODEL	MARK
DNX4210BT	E2	DNX5060EX	K3	DNX5190	K2	DNX6490BT	R1

Safe	Symbol No.	Parts No.	Parts Name	Description	QTY	Local
R655		RK73HB1J330J	CHIP R	33 J 1/16W	1	
R656		RK73HB1J330J	CHIP R	33 J 1/16W	1	
R659		RK73HB1J103J	CHIP R	10K J 1/16W	1	
R663		RK73HB1J101J	CHIP R	100 J 1/16W	1	
R664		RK73HB1J101J	CHIP R	100 J 1/16W	1	
R665		RK73HB1J103J	CHIP R	10K J 1/16W	1	
R672		RK73HB1J101J	CHIP R	100 J 1/16W	1	
R673		RK73HB1J103J	CHIP R	10K J 1/16W	1	
R674		RK73HB1J101J	CHIP R	100 J 1/16W	1	
R676		RK73HB1J103J	CHIP R	10K J 1/16W	1	
R677		RK73HB1J103J	CHIP R	10K J 1/16W	1	
R678		RK73HB1J101J	CHIP R	100 J 1/16W	1	
R688		RK73HH1J124D	CHIP R	120K D 1/16W	1	
R689		RK73HH1J274D	CHIP R	270K D 1/16W	1	
R694		RK73HB1J103J	CHIP R	10K J 1/16W	1	
R695		RK73HB1J103J	CHIP R	10K J 1/16W	1	
R696		RK73HB1J103J	CHIP R	10K J 1/16W	1	
R697		RK73HB1J153J	CHIP R	15K J 1/16W	1	
R698		RK73HB1J682J	CHIP R	6.8K J 1/16W	1	
R701		RK73HH1J202D	CHIP R	2.0K D 1/16W	1	
R703		RK73HB1J821J	CHIP R	820 J 1/16W	1	
R704		RK73HB1J821J	CHIP R	820 J 1/16W	1	
R705		RK73HB1J821J	CHIP R	820 J 1/16W	1	
R706		RK73HB1J821J	CHIP R	820 J 1/16W	1	
R707		RK73HB1J103J	CHIP R	10K J 1/16W	1	
R712		RK73HB1J103J	CHIP R	10K J 1/16W	1	
R713		RK73HB1J822J	CHIP R	8.2K J 1/16W	1	
R715		RK73GB2A000J	CHIP R	0.0 J 1/10W 1608	1	
R716		RK73HB1J000J	CHIP R	0.0 J 1/16W	1	
R717		RK73HB1J000J	CHIP R	0.0 J 1/16W	1	
R718		RK73HB1J000J	CHIP R	0.0 J 1/16W	1	
R803		RK73HH1J121D	CHIP R	120 D 1/16W	1	
R804		RK73HH1J121D	CHIP R	120 D 1/16W	1	
R805		RK73HH1J121D	CHIP R	120 D 1/16W	1	
R807		RK73HB1J123J	CHIP R	12K J 1/16W	1	
R808		RK73HB1J123J	CHIP R	12K J 1/16W	1	
R809		RK73HB1J682J	CHIP R	6.8K J 1/16W	1	
R810		RK73HB1J682J	CHIP R	6.8K J 1/16W	1	
R811		RK73HB1J122J	CHIP R	1.2K J 1/16W	1	
R812		RK73HB1J122J	CHIP R	1.2K J 1/16W	1	
R813		RK73HB1J103J	CHIP R	10K J 1/16W	1	
R815		RK73HB1J221JH	CHIP R	220 J 1/16W	1	
R816		RK73HB1J221JH	CHIP R	220 J 1/16W	1	
R817		RK73HB1J471JH	CHIP R	470 J 1/16W	1	
R818		RK73HB1J471JH	CHIP R	470 J 1/16W	1	
R819		RK73HB1J101J	CHIP R	100 J 1/16W	1	
R820		RK73HB1J101J	CHIP R	100 J 1/16W	1	
R821		RK73HB1J101J	CHIP R	100 J 1/16W	1	
R823		RK73HB1J4R7J	CHIP R	4.7 J 1/16W	1	
R824		RK73HB1J4R7J	CHIP R	4.7 J 1/16W	1	
L15		L33-2280-05	SMALL FIXED INDUCTOR	2.2UH 1.9A	1	
CN1		E41-2594-05	FLAT CABLE CONNECTOR	0.5/30P/DOWN/AU	1	
CN3		E41-2596-05	FLAT CABLE CONNECTOR	0.5/28P/DOWN/AU	1	
CN6		E41-2603-05	FLAT CABLE CONNECTOR	0.5/50P/DOWN/SN	1	
CP61		RK74HB1J103J	CHIP-COM	10K J 1/16W	1	
CP68		RK74HB1J470J	CHIP-COM	47 J 1/16W	1	
S1		S68-0911-15	PUSH SWITCH		1	
S2		S68-0917-05	PUSH SWITCH		1	
X2		L77-3830-05	CRYSTAL RESONATOR	27MHZ	1	