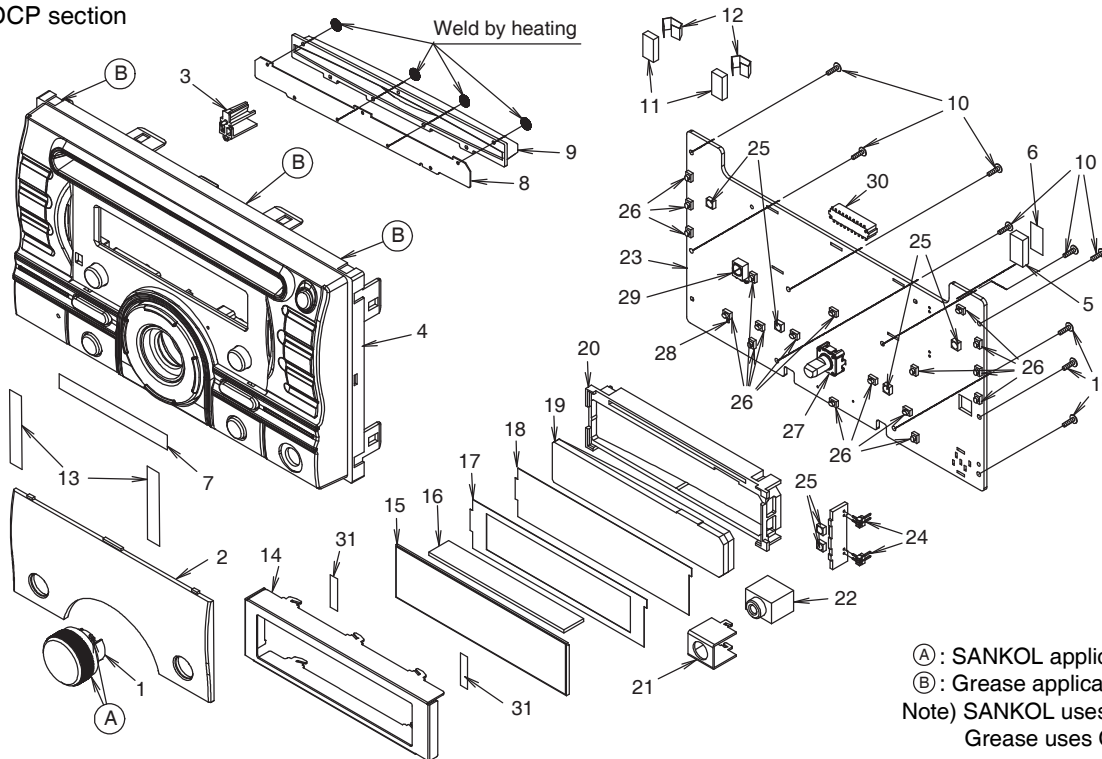


No.	Symbol	Function
20	RROUT	Rch Rear Vol. Output Terminal
21	FROUT	Rch Front Vol. Output Terminal
22	MIXIN	Mix Signal Input Terminal
23	HPF3R	Rch High Pass Filter Terminal 3
24	HPF2R	Rch High Pass Filter Terminal 2
25	HPF1R	Rch High Pass Filter Terminal 1
26	IN6R	Rch SE Input 6 Terminal Rch QD Input 2 Terminal
27	IN6G	QD Input 2 Ref Terminal
28	IN6L	Lch SE Input 6 Terminal Lch QD Input 2 Terminal

No.	Symbol	Function
29	IN4R	Rch SE Input 4 Terminal Rch FD Input 2 Terminal
30	IN4L	Lch SE Input 4 Terminal Rch FD Input 2 Ref Terminal
31	IN3R	Rch SE Input 3 Terminal Lch FD Input 2 Ref Terminal
32	IN3L	Lch SE Input 3 Terminal Lch FD Input 2 Terminal

EXPLODED VIEW / PARTS LIST

DCP section

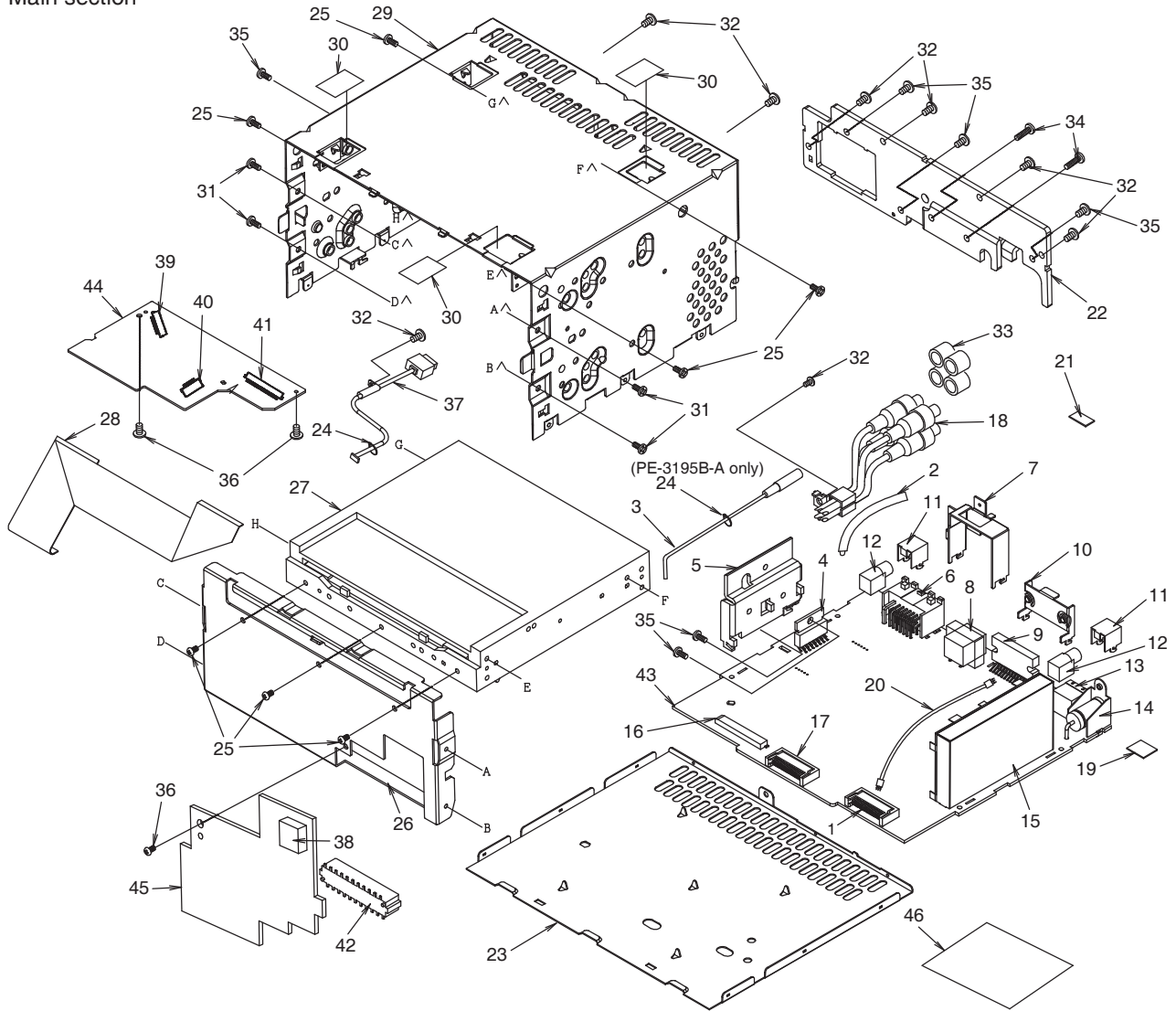


Ⓐ : SANKOL application
 Ⓑ : Grease application
 Note) SANKOL uses G-311S
 Grease uses CFD-409Z

Note)1. Several different parts of the same reference number are alternative parts.
 One of those parts is used in the set.
 2. Some parts depend on each model.
 The model name is specified in the description.

NO.	PART NO.	DESCRIPTION	Q'TY	NO.	PART NO.	DESCRIPTION	Q'TY
1	380-5661-01	KNOB	1	13	347-8298-00	DOUBLE FACE	2
2	373-1158-04	DIAL-CVR(PE-3195B-A)	1	14	331-4505-00	LCD CVR	1
	373-1158-06	DIAL-CVR(PE-3195K-A/B)	1	15	379-1404-51	INDICATOR(LCD)	1
	373-1158-08	DIAL-CVR(PE-3195B-B)	1	16	345-6125-00	RUBBER PART	1
3	382-8603-00	BUTTON(RESET)	1	17	347-8378-00	FILM	1
4	940-8437-11	ES-BUTTON-ASSY (PE-3195B-A)	1	18	347-8379-00	FILM	1
	940-8437-16	ES-BUTTON-ASSY (PE-3195K-A/B)	1	19	335-8207-00	LCD ILLUMI	1
	940-8437-17	ES-BUTTON-ASSY (PE-3195B-B)	1	20	335-8208-00	LCD HOLDER	1
5	345-8647-00	CUSHION	1	21	331-4313-00	JACK HOLDER	1
6	347-6628-00	SPACER FILM	1	22	075-9021-50	JACK	1
7	347-8706-00	DOUBLE FACE	1	23	-----	SWITCH PWB	1
8	346-0209-00	LEATHER SHEET	1	24	076-0708-02	PLUG	2
9	371-3827-03	TRIM PLATE	1	25	001-7088-91	DIODE	6
10	716-0872-51	SPECIAL SCREW(M1.7x5)	9	26	013-6524-50	TACT SWITCH	18
11	345-5312-00	CUSHION	2	27	016-9901-02	VR W/SHAFT	1
12	347-7321-00	E-SHEET	2	28	001-7062-90	DIODE	1
				29	060-4021-00	IR-RECEIVER	1
				30	074-3014-70	OUTLET SOCKET	1
				31	347-8745-00	FILM	2

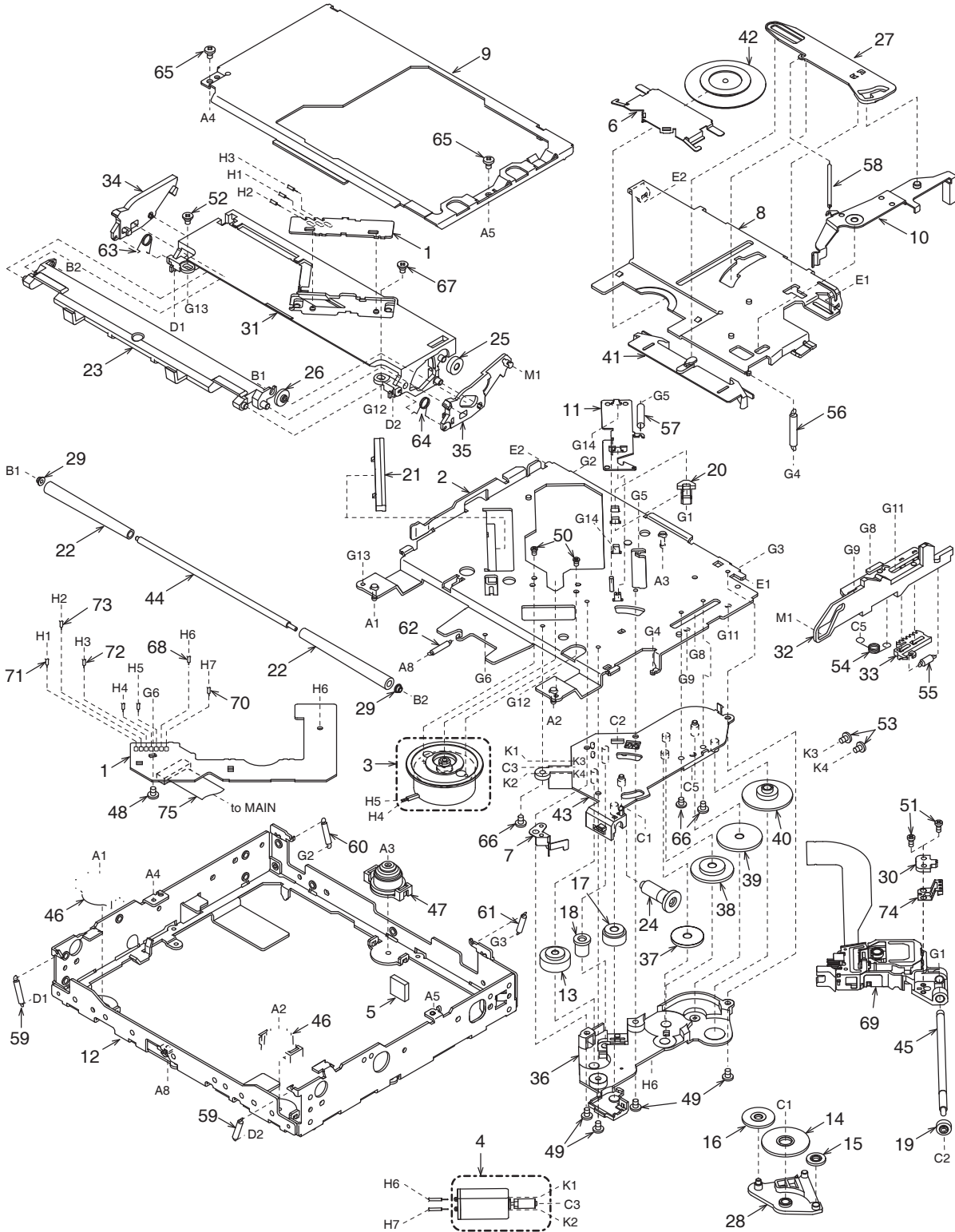
Main section



NO.	PART NO.	DESCRIPTION	Q'TY	NO.	PART NO.	DESCRIPTION	Q'TY
1	076-0648-22	PLUG(22P)	1	19	345-6061-00	CUSHION(PE-3195B-A)	1
2	321-0969-00	CLAMP	1	20	854-4636-50	EXTENSION LEAD	1
3	855-0641-50	CNP PIN CODE (PE-3195B-A)	1	21	347-8047-00	FILM	1
4	051-3349-00	IC	1	22	313-2006-06	HEAT SINK(PE-3195B-A)	1
5	313-2039-02	HEAT SINK	1		313-2006-07	HEAT SINK (PE-3195B-B/K-A/K-B)	1
6	074-1214-50	OUTLET SOCKET(16P)	1	23	311-1859-08	LOWER CASE	1
7	331-4749-00	CONNECTOR HOLD	1	24	335-0833-01	LEAD HOLDER(PE-3195B-A)	2
8	009-9006-60	CHOKE	1			LEAD HOLDER (PE-3195K-A/B)	1
	009-9006-70	CHOKE	1	25	714-2603-89	MACHINE SCREW(M2.6x3)	7
9	051-2069-00	IC	1	26	331-4537-01	ES PLATE	1
10	331-3459-00	IC HOLDER	1	27	929-5018-80	CD-MECH-MODULE	1
11	331-4533-00	JACK HOLDER	2	28	816-4058-55	FLAT WIRE	1
12	075-0393-50	JACK	2	29	310-1874-00	UPPER CASE	1
13	074-1194-00	OUTLET SOCKET(CeNET) (PE-3195B-A)	1	30	374-8404-00	FILM	3
14	092-4000-51	ANT-RECEPT	1	31	714-2606-8B	MACHINE SCREW(M2.6x6)	4
15	941-0227-02	TUNER PACK	1	32	731-3008-89	TAPTIGHT(M3x8)	8
16	074-2216-79	OUTLET SOCKET(29P)	1	33	345-3799-20	RUBBER PART	4
17	076-0648-20	PLUG	1	34	714-2610-8B	MACHINE SCREW(M2.6x10)	2
18	855-5428-51	RCA PIN CORD	1	35	714-3006-8B	MACHINE SCREW(M3x6)	6

NO.	PART NO.	DESCRIPTION	Q'TY	NO.	PART NO.	DESCRIPTION	Q'TY
36	716-1670-01	SCREW(M2x4)	3	43	-----	MAIN PWB	1
37	855-0642-50	USB CABLE	1	44	-----	MECH PWB	1
38	092-2240-00	ANT-RECEPT	1	45	-----	BT PWB	1
39	074-2215-65	OUTLET SOCKET(15P)	1	46	276-0537-00	SETPLATE(PE-3195B-A)	1
40	074-2215-60	OUTLET SOCKET(10P)	1		276-0616-00	SETPLATE(PE-3195B-B)	1
41	074-2220-79	OUTLET SOCKET(29P)	1		276-0618-00	SETPLATE(PE-3195K-A)	1
42	074-3014-72	OUTLET SOCKET(22P)	1		276-0617-00	SETPLATE(PE-3195K-B)	1

CD mechanism section: 929-5018-80



NO.	PART NO.	DESCRIPTION	Q'TY	NO.	PART NO.	DESCRIPTION	Q'TY
1	-----	SENSOR PWB	1	39	621-1750-20	POWER GEAR C	1
2	966-1743-21	DRIVE-PLT-ASSY	1	40	621-1751-20	POWER GEAR D	1
3	SMA-182-100	SPINDLE MOTOR-ASSY	1	41	621-1752-20	DISC STOPPER	1
4	SMA-197-100	SLED MOTOR-ASSY	1	42	621-1753-20	CLAMPER RING	1
5	345-5476-20	CUSHION RUBBER	1	43	621-1754-20	GEAR BASE	1
6	620-1023-23	CLAMPER PLATE	1	44	622-1571-21	ROLLER SHAFT	1
7	620-1026-21	SPRING PLATE	1	45	624-0020-00	LEAD SCREW	1
8	620-1596-23	CLAMPER LINK	1	46	629-0114-20	DAMPER F	2
9	620-1862-20	UPPER CHASSIS	1	47	629-0115-20	DAMPER R	1
10	620-1752-20	SENSOR ARM	1	48	716-1507-01	SCREW(M2x3)	1
11	620-1753-20	ID-LOCK PLATE	1	49	716-1670-01	SCREW(M2x4)	4
12	620-1766-20	LOWER CHASSIS	1	50	716-1733-01	SCREW(M1.7x2.3)	2
13	621-0608-21	SECOND GEAR	1	51	716-3469-01	SCREW(1.7x4)	2
14	621-0609-20	BASE GEAR	1	52	716-3473-01	SCREW(M2x3)	1
15	621-0610-20	IDLE GEAR A	1	53	716-3551-00	SCREW(M1.4x2.5)	2
16	621-0611-20	IDLE GEAR B	1	54	750-7865-20	SHIFT SPRING	1
17	621-0612-21	ROLLER GEAR A	1	55	750-7866-20	RACK SPRING	1
18	621-0620-20	THREAD GEAR A	1	56	750-7867-20	CLAMPER SPRING	1
19	621-0621-20	THREAD GEAR B	1	57	750-7868-20	ID-LOCK SPRING	1
20	621-0623-23	LS-HOLDER	1	58	750-7869-20	SENSOR SPRING	1
21	621-0624-22	GUIDE RAIL	1	59	750-7870-20	DR-SPRING F	2
22	621-0711-21	LOADING ROLLER	2	60	750-7871-20	DR-SPRING RA	1
23	621-0718-21	ROLLER GUIDE	1	61	750-7872-20	DR-SPRING RB	1
24	621-0719-20	ROLLER GEAR	1	62	750-7873-20	DR-SPRING C	1
25	621-0720-20	ROLLER GEAR C	1	63	750-6797-20	ROLLER SPRING L	1
26	621-0721-20	ROLLER GEAR D	1	64	750-6798-20	ROLLER SPRING R	1
27	621-0728-20	STOPPER LINK	1	65	714-2003-8B	SCREW(M2x3)	2
28	621-1719-20	IDLE CASE	1	66	780-2025-00	SCREW(M2x2.5)	3
29	621-1726-20	ROLLER SLEEVE	2	67	781-1730-00	SCREW(M1.7x3)	1
30	621-1729-20	SH-BASE	1	68	803-4906-60	VINYL-COAT-WIRE(ORG)	1
31	621-1742-20	UPPER GUIDE	1	69	969-0071-32	PICKUP-ASSY	1
32	621-1743-20	SHIFT LEVER	1	70	816-2590-00	SPECIAL LEAD(GRN)	1
33	621-1744-20	RACK	1	71	816-2591-00	SPECIAL LEAD(YEL)	1
34	621-1745-20	LOCK ARM L	1	72	816-2592-00	SPECIAL LEAD(BLUE)	1
35	621-1746-20	LOCK ARM R	1	73	816-2593-00	SPECIAL LEAD(PUR)	1
36	621-1747-20	GEAR COVER	1	74	966-1722-20	SH-RACK-ASSY	1
37	621-1748-20	POWER GEAR A	1	75	816-2624-55	FLAT WIRE	1
38	621-1749-20	POWER GEAR B	1				

ELECTRICAL PARTS LIST

Note)1. Several different parts of the same reference number are alternative parts.
One of those parts is used in the set.

Main PWB(B1) section

2. Some parts depend on each model. The model name is specified in the description.

REF No.	PART No.	DESCRIPTION	REF No.	PART No.	DESCRIPTION	REF No.	PART No.	DESCRIPTION
ANT201	092-4000-51	ANT-RECEPT	C116	043-1735-90	100pF CH	C163	187-1053-65	50V 1uF
BL201	941-0227-02	TUNER PACK	C117	187-1063-35	16V 10uF	C165	187-1073-35	16V 100uF
C100	043-1841-90	0.047uF	C118	043-1804-90	0.1uF	C167	189-1083-12	6.3V 1000uF
C101	043-1800-90	1000pF	C120	187-1043-65	50V 0.1uF	C173	043-1841-90	0.047uF
C102	043-1735-90	100pF CH	C121	043-1804-90	0.1uF	C174	187-1063-35	16V 10uF
C103	043-1800-90	1000pF	C122	187-1073-35	16V 100uF	C175	187-1053-65	50V 1uF
C104	043-1802-90	0.01uF	C123	043-1804-90	0.1uF	C179	187-1063-35	16V 10uF
C105	042-0650-00	5.5V 0.1F	C124	187-1073-35	16V 100uF	C201	043-1727-90	47pF CH
C106	043-1800-90	1000pF	C125	043-1804-90	0.1uF	C202	043-1802-90	0.01uF
C107	043-1802-90	0.01uF	C126	043-1804-90	0.1uF	C203	042-9102-01	50V 3.3uF LZ
C108	042-1577-00	6.3V 100uF	C127	187-1063-35	16V 10uF	C204	043-1804-90	0.1uF
C109	043-1802-90	0.01uF	C128	043-1719-90	22pF CH	C205	187-1073-25	10V 100uF
C110	043-1802-90	0.01uF	C129	043-1719-90	22pF CH	C206	043-1826-90	2700uF
C112	043-1715-90	15pF CH	C130	043-1735-90	100pF CH	C207	187-1073-25	10V 100uF
C113	187-3363-45	25V 33uF	C133	189-4773-32	16V 470uF	C209	043-1802-90	0.01uF
C114	043-1751-90	470pF	C161	187-2253-65	50V 2.2uF	C210	043-1804-90	0.1uF
C115	043-1804-90	0.1uF	C162	043-1735-90	100pF CH	C211	043-1735-90	100pF CH

REF No.	PART No.	DESCRIPTION	REF No.	PART No.	DESCRIPTION	REF No.	PART No.	DESCRIPTION
C213	187-4763-35	16V 47uF	C427	187-2263-35	16V 22uF	Q110	125-2027-92	DTC124EUA-T106
C214	043-1802-90	0.01uF	C435	178-4742-78	0.47uF	Q111	190-1576-00	2SA1576-T106
C215	043-1735-90	100pF CH	C437	042-4418-90	16V 10uF	Q112	125-0034-93	RT1P241M
C216	043-1717-90	18pF CH	C438	042-4418-90	16V 10uF	Q112	125-2027-92	DTC124EUA-T106
C217	187-4763-15	6.3V 47uF	C439	042-4418-90	16V 10uF	Q113	125-3015-90	3CG1298
C218	043-1715-90	15pF CH	C440	042-4418-90	16V 10uF	Q114	125-4024-90	3DG3875
C219	043-1828-90	330pF	C441	042-4418-90	16V 10uF	Q115	125-0021-95	DTA143ZUA
C220	043-1735-90	100pF CH	C442	187-1053-65	50V 1uF	Q116	190-1576-00	2SA1576-T106
C234	043-1827-90	0.027uF	C443	042-4418-90	16V 10uF	Q121	125-0034-93	RT1P241M
C235	043-1827-90	0.027uF	C445	172-1041-15	0.1uF	Q121	125-2027-92	DTC124EUA-T106
C250	187-4763-35	16V 47uF	C446	042-1447-00	16V 2200uF	Q123	125-9026-90	IMF29
C301	043-1838-90	4700pF	C456	043-1838-90	4700pF	Q151	125-4024-90	3DG3875
C302	043-1838-90	4700pF	D101	001-1323-90	L1SS355T1G	Q152	125-0021-92	DTA114EUA-T106
C309	187-1063-35	16V 10uF	D102	001-0504-49	HZS9C3L	Q153	125-4024-90	3DG3875
C310	187-1063-35	16V 10uF	D104	001-2601-90	MA728	Q154	125-0021-92	DTA114EUA-T106
C311	187-1063-35	16V 10uF	D105	001-1323-90	L1SS355T1G	Q155	125-4024-90	3DG3875
C312	187-1063-35	16V 10uF	D107	001-4301-26	HZU4.7B2	Q201	125-0021-92	DTA114EUA-T106
C313	187-1053-65	50V 1uF	D109	001-0466-61	1A4	Q202	125-0021-92	DTA114EUA-T106
C314	187-1053-65	50V 1uF	D110	001-0466-61	1A4	Q203	192-4081-00	2SC4081-T106
C315	187-1053-65	50V 1uF	D112	001-1323-90	L1SS355T1G	Q204	192-4081-00	2SC4081-T106
C316	187-1053-65	50V 1uF	D152	001-4301-41	HZU7.5B2	Q208	125-4011-90	KTD863YAT
C317	043-1804-90	0.1uF	D153	001-4301-26	HZU4.7B2	Q401	125-0034-93	RT1P241M
C318	043-1804-90	0.1uF	D160	001-1323-90	L1SS355T1G	Q401	125-2027-92	DTC124EUA-T106
C319	043-1804-90	0.1uF	D161	001-1323-90	L1SS355T1G	Q402	125-0034-93	RT1P241M
C320	043-1804-90	0.1uF	D164	001-1323-90	L1SS355T1G	Q402	125-2027-92	DTC124EUA-T106
C323	187-4763-15	6.3V 47uF	D165	001-0504-32	HZS6A3L	Q403	192-4081-00	2SC4081-T106
C324	043-1804-90	0.1uF	D301	001-4316-17	LM3Z4V3T1G	Q404	125-2027-95	DTC143ZUA-T106
C325	043-1804-90	0.1uF	D401	001-4316-24	LM3Z8V2T1G	Q409	125-0021-95	DTA143ZUA
C326	187-1063-35	16V 10uF	D402	001-1323-90	L1SS355T1G	Q410	125-4012-90	KTD1304
C327	043-1804-90	0.1uF	D403	001-1323-90	L1SS355T1G	Q411	125-4012-90	KTD1304
C331	187-4763-15	6.3V 47uF	D405	001-1323-90	L1SS355T1G	Q412	125-4012-90	KTD1304
C333	187-4763-35	16V 47uF	D406	001-0592-61	1N5404	Q413	125-4012-90	KTD1304
C334	043-1804-90	0.1uF	IC102	051-5438-08	S-80830CN	Q414	125-2198-90	KRC110S
C335	187-1053-65	50V 1uF	IC103	051-5437-58	R3111N211A	Q415	125-4012-90	KTD1304
C337	187-1053-65	50V 1uF	IC105	051-3349-00	HA13166	Q416	125-4012-90	KTD1304
C338	043-1735-90	100pF CH	IC106	051-3535-90	MM3144ANRE	Q417	192-4081-00	2SC4081-T106
C339	043-1735-90	100pF CH	IC107	051-9429-90	24LC256T	R1	119-1011-15	1/10W 100 ohm
C341	043-1735-90	100pF CH	IC201	051-6212-08	LC72191JM	R102	119-1031-15	1/10W 10k ohm
C342	043-1735-90	100pF CH	IC302	051-3060-90	AZ4558M	R103	119-1031-15	1/10W 10k ohm
C343	043-1800-90	1000pF	IC303	051-5048-90	NJW1222	R104	119-1031-15	1/10W 10k ohm
C344	043-1735-90	100pF CH	IC304	051-3019-90	NJM2060	R105	119-1041-15	1/10W 100k ohm
C345	043-1735-90	100pF CH	IC402	051-2069-00	LA47202PNE	R106	119-1031-15	1/10W 10k ohm
C346	189-4773-32	16V 470uF	J100	075-0393-50	3P	R108	119-4721-15	1/10W 4.7k ohm
C349	187-1063-35	16V 10uF	J105	074-2216-79	29P	R109	119-1031-15	1/10W 10k ohm
C350	187-1063-35	16V 10uF	J300	075-0393-50	3P	R110	119-1031-15	1/10W 10k ohm
C351	043-1841-90	0.047uF	J301	076-0648-22	22P	R111	119-1031-15	1/10W 10k ohm
C352	187-1063-35	16V 10uF	J401	074-1214-50	16P	R113	119-1031-15	1/10W 10k ohm
C353	187-1063-35	16V 10uF	L101	010-3407-59	5.6uH	R116	119-1811-15	1/10W 180 ohm
C354	187-1063-35	16V 10uF	L102	010-3105-67	1.5k ohm/100kHz	R117	119-1811-15	1/10W 180 ohm
C355	043-1735-90	100pF CH	L106	010-3100-66	2.2uH	R118	119-1811-15	1/10W 180 ohm
C356	043-1735-90	100pF CH	L107	010-3100-66	2.2uH	R122	119-1031-15	1/10W 10k ohm
C357	043-1735-90	100pF CH	L108	010-3100-66	2.2uH	R123	119-2221-15	1/10W 2.2k ohm
C358	043-1735-90	100pF CH	L201	010-2003-04	30uH	R124	119-1031-15	1/10W 10k ohm
C359	187-1063-35	16V 10uF	L202	010-3105-67	1.5k ohm/100kHz	R125	119-1031-15	1/10W 10k ohm
C360	187-1063-35	16V 10uF	L203	010-3105-67	1.5k ohm/100kHz	R127	116-2711-15	1/4W 270 ohm
C361	043-1804-90	0.1uF	L205	010-6027-00	220uH	R130	119-2221-15	1/10W 2.2k ohm
C362	187-1063-35	16V 10uF	L206	010-6009-57	0.56uH	R133	119-1031-15	1/10W 10k ohm
C401	043-1735-90	100pF CH	P101	076-0648-20	PLUG	R135	119-1031-15	1/10W 10k ohm
C402	043-1735-90	100pF CH	Q100	125-4026-00	3DA2026	R136	119-4721-15	1/10W 4.7k ohm
C403	043-1735-90	100pF CH	Q101	125-0034-92	RT1P141M	R137	119-1031-15	1/10W 10k ohm
C404	043-1735-90	100pF CH	Q101	125-2027-91	DTC114EUA-T106	R138	119-4731-15	1/10W 47k ohm
C413	178-4742-78	0.47uF	Q103	125-4014-90	KTC2020D	R143	119-2231-15	1/10W 22k ohm
C414	178-4742-78	0.47uF	Q104	190-1576-00	2SA1576-T106	R144	116-4721-15	1/4W 4.7k ohm
C415	178-4742-78	0.47uF	Q105	125-9015-92	RN4902	R147	119-1531-15	1/10W 15k ohm
C416	178-4742-78	0.47uF	Q110	125-0034-93	RT1P241M	R148	119-1031-15	1/10W 10k ohm

REF No.	PART No.	DESCRIPTION	REF No.	PART No.	DESCRIPTION	REF No.	PART No.	DESCRIPTION
R149	119-1031-15	1/10W 10k ohm	R236	119-3311-15	1/10W 330 ohm	R408	119-8221-15	1/10W 8.2k ohm
R151	119-5621-15	1/10W 5.6k ohm	R301	119-1041-15	1/10W 100k ohm	R409	119-1021-15	1/10W 1k ohm
R152	119-1041-15	1/10W 100k ohm	R302	119-1041-15	1/10W 100k ohm	R410	119-1021-15	1/10W 1k ohm
R153	119-4731-15	1/10W 47k ohm	R303	119-4721-15	1/10W 4.7k ohm	R411	119-4711-15	1/10W 470 ohm
R154	116-1521-15	1/4W 1.5k ohm	R304	119-4721-15	1/10W 4.7k ohm	R412	119-2231-15	1/10W 22k ohm
R155	119-1521-15	1/10W 1.5k ohm	R305	119-1021-15	1/10W 1k ohm	R413	119-4721-15	1/10W 4.7k ohm
R156	119-2741-15	1/10W 270k ohm	R306	119-1021-15	1/10W 1k ohm	R417	119-1031-15	1/10W 10k ohm
R159	119-1031-15	1/10W 10k ohm	R307	032-0140-89	1/10W 47k ohm(F)	R445	119-4731-15	1/10W 47k ohm
R164	032-0140-52	1/10W 33k ohm(F)	R308	032-0140-89	1/10W 47k ohm(F)	R446	119-1031-15	1/10W 10k ohm
R165	032-0140-80	1/10W 18k ohm(F)	R310	032-0140-89	1/10W 47k ohm(F)	R448	119-2231-15	1/10W 22k ohm
R166	119-4731-15	1/10W 47k ohm	R314	032-0140-89	1/10W 47k ohm(F)	R449	119-2231-15	1/10W 22k ohm
R167	119-1041-15	1/10W 100k ohm	R316	032-0140-89	1/10W 47k ohm(F)	R450	119-2231-15	1/10W 22k ohm
R168	119-2231-15	1/10W 22k ohm	R317	032-0140-89	1/10W 47k ohm(F)	R451	119-2231-15	1/10W 22k ohm
R173	119-2231-15	1/10W 22k ohm	R319	032-0140-89	1/10W 47k ohm(F)	R452	119-3311-15	1/10W 330 ohm
R174	119-2241-15	1/10W 220k ohm	R322	032-0140-89	1/10W 47k ohm(F)	R453	119-3311-15	1/10W 330 ohm
R175	119-1041-15	1/10W 100k ohm	R323	119-3311-15	1/10W 330 ohm	R454	119-3311-15	1/10W 330 ohm
R176	119-6831-15	1/10W 68k ohm	R324	119-1011-15	1/10W 100 ohm	R455	119-3311-15	1/10W 330 ohm
R177	119-0000-05	1/10W 0 ohm JW	R325	119-1011-15	1/10W 100 ohm	R456	119-3311-15	1/10W 330 ohm
R179	119-2241-15	1/10W 220k ohm	R326	119-1011-15	1/10W 100 ohm	R457	119-3311-15	1/10W 330 ohm
R180	116-2211-15	1/4W 220 ohm	R327	119-1011-15	1/10W 100 ohm	R458	119-1021-15	1/10W 1k ohm
R199	119-4731-15	1/10W 47k ohm	R328	119-1011-15	1/10W 100 ohm	R459	119-1021-15	1/10W 1k ohm
R201	119-2221-15	1/10W 2.2k ohm	R329	119-1011-15	1/10W 100 ohm	R460	116-4721-15	1/4W 4.7k ohm
R202	119-2221-15	1/10W 2.2k ohm	R332	119-1031-15	1/10W 10k ohm	R461	119-6831-15	1/10W 68k ohm
R203	119-1021-15	1/10W 1k ohm	R333	119-1031-15	1/10W 10k ohm	R462	119-1041-15	1/10W 100k ohm
R204	119-2221-15	1/10W 2.2k ohm	R335	119-1031-15	1/10W 10k ohm	R463	119-2231-15	1/10W 22k ohm
R205	119-2211-15	1/10W 220 ohm	R336	119-1031-15	1/10W 10k ohm	R464	119-2231-15	1/10W 22k ohm
R207	119-4741-15	1/10W 470k ohm	R337	119-1031-15	1/10W 10k ohm	R465	119-1021-15	1/10W 1k ohm
R208	119-2221-15	1/10W 2.2k ohm	R338	119-1031-15	1/10W 10k ohm	SUP202	060-0122-20	DSP-141N-S00B
R209	119-1031-15	1/10W 10k ohm	R339	119-1031-15	1/10W 10k ohm	T101	009-9006-60	CHOKE 0.23mH
R210	119-1031-15	1/10W 10k ohm	R340	119-4721-15	1/10W 4.7k ohm	T101	009-9006-70	CHOKE 0.23mH
R211	119-2221-15	1/10W 2.2k ohm	R341	119-4721-15	1/10W 4.7k ohm	X101	061-3014-00	10MHz
R212	119-5631-15	1/10W 56k ohm	R342	119-1031-15	1/10W 10k ohm	X201	061-1066-00	7.2MHz
R214	119-1041-15	1/10W 100k ohm	R343	119-1021-15	1/10W 1k ohm	PWB	039-3424-01	PWB(WITHOUT COMPONENT)
R215	119-1031-15	1/10W 10k ohm	R348	119-4701-15	1/10W 47 ohm			
R217	119-2221-15	1/10W 2.2k ohm						

The following parts are different for each model.
The parts for PE-3195B-A

REF No.	PART No.	DESCRIPTION	REF No.	PART No.	DESCRIPTION	REF No.	PART No.	DESCRIPTION
C119	043-0542-00	25V 4.7uF	C612	043-1710-90	9pF CH	IC601	051-6734-90	WM8727
C137	043-1804-90	0.1uF	C613	187-2263-35	16V 22uF	IC602	051-6930-90	XM/DT IC
C138	043-1804-90	0.1uF	C614	187-2263-35	16V 22uF	IC604	051-6926-90	BD2051AFJ
C141	043-0510-51	25V 10uF	C615	043-1751-90	470pF	IC610	051-3540-90	LT3684
C171	043-1735-90	100pF CH	C616	043-1804-90	0.1uF	J102	074-1194-00	13P Ce-NET
C176	042-9102-01	50V 3.3uF LZ	C617	043-1804-90	0.1uF	L103	010-3104-50	MPZ1608S300A
C177	165-1053-65	50V 1uF	C618	043-1804-90	0.1uF	L104	010-3057-93	4.2uH
C178	165-1053-65	50V 1uF	C619	043-1804-90	0.1uF	L105	010-3104-50	MPZ1608S300A
C305	187-1063-35	16V 10uF	C620	043-1804-90	0.1uF	L602	010-3105-62	COIL
C306	187-1063-35	16V 10uF	C621	043-1751-90	470pF	L603	010-3105-62	COIL
C307	187-1063-35	16V 10uF	C622	043-1802-90	0.01uF	L604	010-3112-91	1.5k ohm/100MHz
C308	187-1063-35	16V 10uF	C623	043-1804-90	0.1uF	L605	010-3112-91	1.5k ohm/100MHz
C336	187-1053-65	50V 1uF	C628	043-1804-90	0.1uF	L606	010-3112-91	1.5k ohm/100MHz
C340	187-1053-65	50V 1uF	C629	043-1804-90	0.1uF	L607	010-3112-91	1.5k ohm/100MHz
C601	187-2263-35	16V 22uF	C630	187-2263-35	16V 22uF	L608	010-3112-90	1k ohm/100MHz
C602	043-1802-90	0.01uF	C632	043-1800-90	1000pF	L609	010-3112-90	1k ohm/100MHz
C603	043-1804-90	0.1uF	C665	178-4742-78	0.47uF	L610	010-3105-67	1.5k ohm/100kHz
C604	043-1804-90	0.1uF	C667	166-6811-50	680pF	L611	010-3105-67	1.5k ohm/100kHz
C605	043-1804-90	0.1uF	C668	043-1804-90	0.1uF	Q102	125-2041-93	RT1N241M-T111-1
C606	043-1804-90	0.1uF	C669	042-1631-50	16V 100uF	Q117	125-0034-93	RT1P241M
C607	043-1802-90	0.01uF	D418	001-0466-61	1A4	Q117	125-2027-92	DTC124EUA-T106
C608	043-1804-90	0.1uF	D628	001-2620-90	RB060L-40 TE25	R134	119-1031-15	1/10W 10k ohm
C609	187-2263-35	16V 22uF	IC104	051-6600-90	LA2335M	R158	116-6801-15	1/4W 68 ohm
C610	043-1804-90	0.1uF	IC108	051-3559-90	MM3143DNRE	R309	032-0140-58	1/10W 51k ohm(F)
C611	043-1710-90	9pF CH	IC301	051-3060-90	AZ4558M	R311	032-0140-58	1/10W 51k ohm(F)

REF No.	PART No.	DESCRIPTION	REF No.	PART No.	DESCRIPTION	REF No.	PART No.	DESCRIPTION
R312	032-0140-58	1/10W 51k ohm(F)	R611	119-1021-15	1/10W 1k ohm	R658	119-2231-15	1/10W 22k ohm
R313	032-0140-58	1/10W 51k ohm(F)	R612	119-1021-15	1/10W 1k ohm	R659	119-1031-15	1/10W 10k ohm
R315	032-0140-51	1/10W 15k ohm(F)	R613	119-1011-15	1/10W 100 ohm	R660	119-3331-15	1/10W 33k ohm
R318	032-0140-51	1/10W 15k ohm(F)	R614	119-1011-15	1/10W 100 ohm	R677	119-1531-15	1/10W 15k ohm
R320	032-0140-51	1/10W 15k ohm(F)	R615	119-1011-15	1/10W 100 ohm	R679	032-0140-22	1/10W 68k ohm(F)
R321	032-0140-51	1/10W 15k ohm(F)	R616	119-1011-15	1/10W 100 ohm	R680	032-0140-31	1/10W 200k ohm(F)
R355	119-0000-05	1/10W 0 ohm JW	R634	119-1041-15	1/10W 100k ohm	R684	032-0140-51	1/10W 15k ohm(F)
R356	119-0000-05	1/10W 0 ohm JW	R635	119-1041-15	1/10W 100k ohm	R685	119-0000-05	1/10W 0 ohm JW
R602	119-1011-15	1/10W 100 ohm	R650	119-1031-15	1/10W 10k ohm	R686	032-0140-94	1/10W 30k ohm(F)
R607	116-1061-15	1/4W 10m ohm	R651	119-1041-15	1/10W 100k ohm	R698	119-2231-15	1/10W 22k ohm
R608	119-1041-15	1/10W 100k ohm	R657	119-2231-15	1/10W 22k ohm	X601	061-3563-90	45.1584MHz

The parts for PE-3195B-B/K-A/K-B

The parts for PE-3195K-A/K-B

REF No.	PART No.	DESCRIPTION	REF No.	PART No.	DESCRIPTION	REF No.	PART No.	DESCRIPTION
R101	119-0000-05	1/10W 0 ohm JW	R107	119-0000-05	1/10W 0 ohm JW	R132	119-1031-15	1/10W 10k ohm

The parts for PE-3195B-A/K-A/K-B

The parts for PE-3195B-B

REF No.	PART No.	DESCRIPTION	REF No.	PART No.	DESCRIPTION
IC101	052-3992-10	M30876MJB-A37GP	IC101	052-3992-20	M30876MJB-723GP

Switch PWB(B2) section

REF No.	PART No.	DESCRIPTION	REF No.	PART No.	DESCRIPTION	REF No.	PART No.	DESCRIPTION
C901	043-1802-90	0.01uF	Q906	192-3440-50	2SC3440uF	R956	119-1021-15	1/10W 1k ohm
C902	043-1804-90	0.1uF	R903	119-4711-15	1/10W 470 ohm	R957	119-8211-15	1/10W 820 ohm
C903	043-1804-90	0.1uF	R904	119-2211-15	1/10W 220 ohm	R958	119-8211-15	1/10W 820 ohm
C904	043-1804-90	0.1uF	R905	119-1241-15	1/10W 120k ohm	R959	119-6811-15	1/10W 680 ohm
C905	043-1804-90	0.1uF	R906	119-4721-15	1/10W 4.7k ohm	R960	119-1021-15	1/10W 1k ohm
C906	043-1804-90	0.1uF	R907	119-1021-15	1/10W 1k ohm	R961	119-1521-15	1/10W 1.5k ohm
C907	043-1804-90	0.1uF	R908	119-2711-15	1/10W 270 ohm	R962	119-6811-15	1/10W 680 ohm
C908	042-0416-54	16V 10uF	R910	119-1021-15	1/10W 1k ohm	R963	119-8211-15	1/10W 820 ohm
C909	042-0416-54	16V 10uF	R911	119-1041-15	1/10W 100k ohm	R964	119-1021-15	1/10W 1k ohm
C910	042-0416-54	16V 10uF	R912	119-1031-15	1/10W 10k ohm	R965	119-1521-15	1/10W 1.5k ohm
C911	043-1808-90	1200pF	R913	119-1031-15	1/10W 10k ohm	R966	119-1021-15	1/10W 1k ohm
C912	043-1808-90	1200pF	R914	119-3921-15	1/10W 3.9k ohm	R967	119-8211-15	1/10W 820 ohm
C914	043-1804-90	0.1uF	R915	119-1011-15	1/10W 100 ohm	R968	119-8211-15	1/10W 820 ohm
D909	001-4301-41	HZU7.5B2	R924	119-3311-15	1/10W 330 ohm	R969	119-6811-15	1/10W 680 ohm
D910	001-4301-29	HZU5.1B2	R925	119-1031-15	1/10W 10k ohm	R976	119-1021-15	1/10W 1k ohm
D911	001-7088-91	HSMF-A355-G33J1	R926	119-3311-15	1/10W 330 ohm	R977	119-1521-15	1/10W 1.5k ohm
D912	001-7088-91	HSMF-A355-G33J1	R927	119-1031-15	1/10W 10k ohm	S901	013-6524-50	TACT SWITCH
D913	001-7088-91	HSMF-A355-G33J1	R928	119-3311-15	1/10W 330 ohm	S902	013-6524-50	TACT SWITCH
D914	001-7088-91	HSMF-A355-G33J1	R929	119-1031-15	1/10W 10k ohm	S903	013-6524-50	TACT SWITCH
D915	001-7088-91	HSMF-A355-G33J1	R936	119-1021-15	1/10W 1k ohm	S920	013-6524-50	TACT SWITCH
D916	001-7088-91	HSMF-A355-G33J1	R937	119-8211-15	1/10W 820 ohm	S922	013-6524-50	TACT SWITCH
D918	001-2601-90	MA728	R938	119-8211-15	1/10W 820 ohm	S923	013-6524-50	TACT SWITCH
D919	001-1323-90	L1SS355T1G	R939	119-6811-15	1/10W 680 ohm	S924	013-6524-50	TACT SWITCH
D931	001-0584-21	MA8062	R940	119-1021-15	1/10W 1k ohm	S926	013-6524-50	TACT SWITCH
D934	001-7062-90	RBR1111C	R941	119-1521-15	1/10W 1.5k ohm	S927	013-6524-50	TACT SWITCH
IC901	051-6089-00	NJU6539	R942	119-1021-15	1/10W 1k ohm	S928	013-6524-50	TACT SWITCH
IR901	060-4021-00	GPIUX51	R943	119-8211-15	1/10W 820 ohm	S930	013-6524-50	TACT SWITCH
J701	074-3014-70	20P	R944	119-8211-15	1/10W 820 ohm	S931	013-6524-50	TACT SWITCH
J702	075-9021-50	JACK	R945	119-6811-15	1/10W 680 ohm	S932	013-6524-50	TACT SWITCH
LCD901	379-1404-51	INDICATOR(LCD)	R946	119-1021-15	1/10W 1k ohm	S934	013-6524-50	TACT SWITCH
P901	076-0708-02	PLUG	R947	119-1521-15	1/10W 1.5k ohm	S935	013-6524-50	TACT SWITCH
P902	076-0708-02	PLUG	R948	119-1021-15	1/10W 1k ohm	S936	013-6524-50	TACT SWITCH
Q903	193-1781-50	2SD1781K	R949	119-8211-15	1/10W 820 ohm	S938	013-6524-50	TACT SWITCH
Q903	192-3440-50	2SC3440uF	R950	119-8211-15	1/10W 820 ohm	S939	013-6524-50	TACT SWITCH
Q904	125-2027-95	DTC143EUA-T106	R951	119-6811-15	1/10W 680 ohm	VR901	016-9901-02	VR W/SHAFT
Q904	125-2041-96	RT1N436M	R952	119-1021-15	1/10W 1k ohm	PWB	039-3422-00	PWB(WITHOUT COMPONENT)
Q905	193-1781-50	2SD1781K	R953	119-1521-15	1/10W 1.5k ohm			
Q905	192-3440-50	2SC3440uF	R954	119-1021-15	1/10W 1k ohm			
Q906	193-1781-50	2SD1781K	R955	119-8211-15	1/10W 820 ohm			

MECH PWB (B3) section

REF No.	PART No.	DESCRIPTION	REF No.	PART No.	DESCRIPTION	REF No.	PART No.	DESCRIPTION
C2	043-1804-90	0.1uF	C73	043-1804-90	0.1uF	R21	033-2221-15	1/16W 2.2k ohm
C3	042-0636-50	6.3V 100uF	C74	043-1804-90	0.1uF	R22	033-1051-15	1/16W 1M ohm
C4	043-1804-90	0.1uF	C76	163-3353-65	50V 3.3uF	R24	033-2211-15	1/16W 220 ohm
C5	163-1073-35	16V 100uF	C77	163-3353-65	50V 3.3uF	R25	119-4721-15	1/10W 4.7k ohm
C6	163-1073-35	16V 100uF	C78	043-1804-90	0.1uF	R26	119-4721-15	1/10W 4.7k ohm
C7	168-1052-78	25V 1uF	C79	043-1804-90	0.1uF	R27	033-4731-15	1/16W 47k ohm
C8	163-1063-35	16V 10uF	C80	043-1804-90	0.1uF	R28	033-2231-15	1/16W 22k ohm
C9	168-1052-78	25V 1uF	C81	043-1804-90	0.1uF	R29	033-2231-15	1/16W 22k ohm
C10	042-0423-21	10V 22uF	C82	043-1804-90	0.1uF	R30	033-4731-15	1/16W 47k ohm
C11	042-0560-85	6.3V 100uF	C83	043-1804-90	0.1uF	R31	033-3341-15	1/16W 330k ohm
C12	043-0552-90	6.3V 47uF	C89	043-1613-90	0.033pF	R33	033-5621-15	1/16W 5.6k ohm
C13	043-1804-90	0.1uF	C90	043-1804-90	0.1uF	R34	033-0000-05	1/16W 0 ohm JW
C14	043-1804-90	0.1uF	C93	043-1600-90	10pF	R36	033-1021-15	1/16W 1k ohm
C15	168-1052-78	25V 1uF	C94	043-1600-90	10pF	R37	033-1021-15	1/16W 1k ohm
C16	168-1052-78	25V 1uF	C97	043-1804-90	0.1uF	R40	033-4731-15	1/16W 47k ohm
C17	042-0423-21	10V 22uF	C98	043-1804-90	0.1uF	R41	033-6831-15	1/16W 68k ohm
C20	043-1614-90	470pF	C99	043-1804-90	0.1uF	R42	033-6831-15	1/16W 68k ohm
C21	043-1841-90	0.047uF	C100	043-1602-90	18pF	R43	033-2211-15	1/16W 220 ohm
C22	043-1614-90	470pF	C101	043-1602-90	18pF	R44	033-0000-05	1/16W 0 ohm JW
C23	043-1841-90	0.047uF	C102	043-1804-90	0.1uF	R45	033-0000-05	1/16W 0 ohm JW
C24	043-1713-90	12pF	C103	043-1607-90	0.01pF	R46	033-4731-15	1/16W 47k ohm
C25	043-1713-90	12pF	C104	043-1706-90	5pF	R50	033-3311-15	1/16W 330 ohm
C26	043-1804-90	0.1uF	C105	166-4096-50	50V 4pF	R51	033-4721-15	1/16W 4.7k ohm
C27	043-1611-90	2200pF	CCT1	050-0140-57	1/32W 10k ohm	R52	033-4721-15	1/16W 4.7k ohm
C28	043-1804-90	0.1uF	CCT2	050-0140-54	1/32W 1k ohm	R53	033-1041-15	1/16W 100k ohm
C30	043-1617-90	6800pF	D1	001-0367-91	1SS226TE85L	R54	033-3311-15	1/16W 330 ohm
C31	043-1804-90	0.1uF	D900	060-8078-00	EZAEG3A50AV	R55	033-1031-15	1/16W 10k ohm
C32	043-1804-90	0.1uF	D901	060-8078-00	EZAEG3A50AV	R56	033-1031-15	1/16W 10k ohm
C33	043-1613-90	0.033pF	D903	001-4316-16	DIODE	R57	033-1041-15	1/16W 100k ohm
C34	043-1804-90	0.1uF	IC1	051-6079-80	BA5830FM	R59	033-4731-15	1/16W 47k ohm
C35	043-1804-90	0.1uF	IC2	052-3981-94	TMP92CD28AFG-7CH4	R60	033-1041-15	1/16W 100k ohm
C37	043-1804-90	0.1uF	IC3	051-6733-40	TC94A70FG-011	R61	033-1041-15	1/16W 100k ohm
C38	042-0423-20	10V 10uF	IC5	051-6926-90	BD2051AFJ	R63	033-0000-05	1/16W 0 ohm JW
C39	043-1804-90	0.1uF	IC7	051-5418-08	S-80827CNMC	R64	033-4731-15	1/16W 47k ohm
C40	043-1804-90	0.1uF	IC8	051-6928-90	341S2094	R65	033-4731-15	1/16W 47k ohm
C41	043-1804-90	0.1uF	IC997	051-7226-08	TC7SH00FU	R66	033-0000-05	1/16W 0 ohm JW
C42	043-1804-90	0.1uF	IC998	051-3536-90	AP2121AK-1.5TRE1	R67	033-0000-05	1/16W 0 ohm JW
C43	043-1804-90	0.1uF	IC999	051-3536-90	AP2121AK-1.5TRE1	R68	033-0000-05	1/16W 0 ohm JW
C44	043-1607-90	0.01pF	J101	074-2220-79	29P	R69	033-1041-15	1/16W 100k ohm
C45	043-1605-90	68pF	J201	074-2215-65	15P	R70	033-4731-15	1/16W 47k ohm
C46	043-1804-90	0.1uF	J301	074-2215-60	10P	R71	033-2211-15	1/16W 220 ohm
C47	043-1610-90	0.015pF	L8	010-3105-69	COIL	R72	033-2211-15	1/16W 220 ohm
C48	043-1804-90	0.1uF	Q4	190-2060-00	2SA2060	R74	033-1041-15	1/16W 100k ohm
C49	043-1607-90	0.01pF	Q7	191-1197-50	B1197	R75	033-1041-15	1/16W 100k ohm
C50	043-1804-90	0.1uF	Q8	125-2027-92	DTC124EU	R76	033-2211-15	1/16W 220 ohm
C51	043-1804-90	0.1uF	R1	033-5621-15	1/16W 5.6k ohm	R77	033-4731-15	1/16W 47k ohm
C52	043-1609-90	1500pF	R2	033-1031-15	1/16W 10k ohm	R78	033-2211-15	1/16W 220 ohm
C53	043-1612-90	3300pF	R3	117-6811-15	1/10W 680 ohm	R79	033-1051-15	1/16W 1M ohm
C54	043-1607-90	0.01pF	R4	033-1051-15	1/16W 1M ohm	R80	033-1051-15	1/16W 1M ohm
C56	043-1804-90	0.1uF	R6	033-1021-15	1/16W 1k ohm	R81	033-4701-15	1/16W 47 ohm
C57	043-1610-90	0.015pF	R7	117-1001-15	1/10W 10 ohm	R82	033-0000-05	1/16W 0 ohm JW
C60	043-1604-90	47pF	R8	033-0000-05	1/16W 0 ohm JW	R84	033-4731-15	1/16W 47k ohm
C61	043-1804-90	0.1uF	R9	033-0000-05	1/16W 0 ohm JW	R86	033-4731-15	1/16W 47k ohm
C62	043-1804-90	0.1uF	R10	033-8231-15	1/16W 82k ohm	R87	033-4731-15	1/16W 47k ohm
C63	043-1804-90	0.1uF	R11	032-0140-88	1/10W 100k ohm(F)	R88	033-4731-15	1/16W 47k ohm
C64	043-1804-90	0.1uF	R12	033-1531-15	1/16W 15k ohm	R89	033-4731-15	1/16W 47k ohm
C65	042-0423-21	10V 22uF	R13	033-8231-15	1/16W 82k ohm	R94	033-1031-15	1/16W 10k ohm
C66	043-1804-90	0.1uF	R15	033-2731-15	1/16W 27k ohm	R95	033-1041-15	1/16W 100k ohm
C67	043-1804-90	0.1uF	R16	033-4731-15	1/16W 47k ohm	R96	033-1531-15	1/16W 15k ohm
C69	043-1612-90	3300pF	R17	033-2731-15	1/16W 27k ohm	R97	033-1531-15	1/16W 15k ohm
C70	168-1052-78	25V 1uF	R18	033-2211-15	1/16W 220 ohm	R98	032-0163-96	1/4W 27 ohm
C71	043-1612-90	3300pF	R19	033-2731-15	1/16W 27k ohm	R99	032-0163-96	1/4W 27 ohm
C72	168-1052-78	25V 1uF	R20	033-2731-15	1/16W 27k ohm	R103	033-1031-15	1/16W 10k ohm

REF No.	PART No.	DESCRIPTION	REF No.	PART No.	DESCRIPTION	REF No.	PART No.	DESCRIPTION
R104	033-0000-05	1/16W 0 ohm JW	R205	033-0000-05	1/16W 0 ohm JW	R218	033-0000-05	1/16W 0 ohm JW
R110	033-0000-05	1/16W 0 ohm JW	R206	033-0000-05	1/16W 0 ohm JW	R219	033-0000-05	1/16W 0 ohm JW
R111	033-0000-05	1/16W 0 ohm JW	R207	033-0000-05	1/16W 0 ohm JW	R324	033-1021-15	1/16W 1k ohm
R114	033-1031-15	1/16W 10k ohm	R208	033-0000-05	1/16W 0 ohm JW	TM102	073-0768-90	TERMINAL
R115	033-1221-15	1/16W 1.2k ohm	R209	033-0000-05	1/16W 0 ohm JW	X1	061-3534-90	16.92MHz
R116	033-0000-05	1/16W 0 ohm JW	R210	119-0000-05	1/10W 0 ohm	X2	061-3559-90	9MHz
R117	033-0000-05	1/16W 0 ohm JW	R213	033-0000-05	1/16W 0 ohm JW	X3	061-3568-90	32.768kHz
R118	033-0000-05	1/16W 0 ohm JW	R214	033-0000-05	1/16W 0 ohm JW	X4	061-3568-90	32.768kHz
R119	033-1041-15	1/16W 100k ohm	R215	033-0000-05	1/16W 0 ohm JW	PWB	039-3423-00	PWB(WITHOUT COMPONENT)
R203	033-0000-05	1/16W 0 ohm JW	R216	033-1021-15	1/16W 1k ohm			

BT PWB (B4) section

REF No.	PART No.	DESCRIPTION	REF No.	PART No.	DESCRIPTION	REF No.	PART No.	DESCRIPTION
ANT103	092-2240-00	ANT-RECEPT	C117	043-1804-90	0.1uF	R108	033-1011-15	1/16W 100 ohm
C101	043-0603-90	10uF	C119	045-3311-50	330pF	R109	033-1011-15	1/16W 100 ohm
C102	168-1022-55	1000pF	D100	001-0529-20	MA8039L	R110	033-2231-15	1/16W 22k ohm
C103	046-1042-78	0.1uF	IC101	060-8098-90	UGZ28X708	R111	033-4731-15	1/16W 47k ohm
C104	043-0603-90	10uF	IC102	051-3026-90	NJM4580V	R112	033-2231-15	1/16W 22k ohm
C105	178-1052-78	1uF	IC103	051-3389-90	PQ1M335M2SPQ	R113	033-1031-15	1/16W 10k ohm
C106	178-1052-78	1uF	J101	074-3014-72	22P	R114	033-4721-15	1/16W 4.7k ohm
C107	043-1626-90	820pF	L101	010-3406-56	3.3uH	R115	033-4721-15	1/16W 4.7k ohm
C108	045-3311-50	330pF	L102	010-3104-54	MPZ1608S601AT	R116	033-4721-15	1/16W 4.7k ohm
C109	178-1052-78	1uF	L103	010-3104-54	MPZ1608S601AT	R117	033-3321-15	1/16W 3.3k ohm
C110	178-1052-78	1uF	R101	033-1011-15	1/16W 100 ohm	R118	119-1021-15	1/10W 1k ohm
C111	043-0603-90	10uF	R102	033-1011-15	1/16W 100 ohm	R119	033-2221-15	1/16W 2.2k ohm
C112	045-1011-50	100pF	R103	033-1011-15	1/16W 100 ohm	R120	033-1011-15	1/16W 100 ohm
C113	046-1042-78	0.1uF	R104	033-1011-15	1/16W 100 ohm	R121	033-1011-15	1/16W 100 ohm
C114	046-1042-78	0.1uF	R105	033-1011-15	1/16W 100 ohm	R122	119-1021-15	1/10W 1k ohm
C115	043-0603-90	10uF	R106	033-1011-15	1/16W 100 ohm	PWB	039-3420-00	PWB(WITHOUT COMPONENT)
C116	043-0603-90	10uF	R107	033-1011-15	1/16W 100 ohm			

CD mechanism section: 929-5018-80

SENSOR PWB(B5) section

REF No.	PART No.	DESCRIPTION	REF No.	PART No.	DESCRIPTION	REF No.	PART No.	DESCRIPTION
D1	001-7058-90	AN1105W-RR	Q1	060-4015-91	PS1192HB	S2	013-7413-50	SPVG12
D2	001-7058-90	AN1105W-RR	Q2	060-4015-91	PS1192HB	PWB	039-2675-20	PWB(WITHOUT COMPONENT)
J1	074-2215-60	10P	S1	013-7414-50	SPVG22			

CIRCUIT DIAGRAM 1/9

SENSOR PWB(B5) section

