

TS-450S/690S

PARTS LIST

* New Parts

Parts without Parts No. are not supplied.

Les articles non mentionnés dans le Parts No. ne sont pas fournis.

Teile ohne Parts No. werden nicht geliefert.

TS-450S/690S

Ref. No. 参照番号	Address 位置	New Parts 新	Parts No. 部品番号	Description 部品名 / 規格	Desti- nation 仕 向	Re- marks 備考
TS-450S/690S						
1	1B	*	A01-2028-02	METALLIC CABINET(TOP)		
2	3B	*	A01-2029-02	METALLIC CABINET(BOTTOM)		
4	3B		A40-0630-13	BOTTOM PLATE		
10	2G	*	A62-0102-03	PANEL	450S	
10	2G	*	A62-0109-03	PANEL	690S	
14	2G	*	A62-0099-02	PANEL ASSY	450S	
14	2G	*	A62-0106-02	PANEL ASSY	690S	
22	3D	*	A82-0004-04	REAR PANEL	450/AT	
23	2G	*	B10-1167-13	FRONT GLASS		
24	2H		B11-0466-04	FILTER		
25	1I	*	B38-0361-05	LCD ASSY		
-	-		B42-1729-04	LABEL(WITH AT)	450/AT	
27	3B		B42-3343-04	LABEL(S/NO)		
28	2F	*	B42-3464-04	LABEL(REAR)		
29	2J	*	B42-3465-04	LABEL		
30	30	*	B44-2163-04	LABEL(UPC CORD)		
34	1P		B46-0410-30	WARRANTY CARD	K	
34	1P		B46-0419-00	WARRANTY CARD	EE2	
34	1P		B46-0422-00	WARRANTY CARD	P	
37	1P	*	B62-0095-00	INSTRUCTION MANUAL	KX	
37	1P	*	B62-0096-00	INSTRUCTION MANUAL	MM2P	
37	1P	*	B62-0096-00	INSTRUCTION MANUAL	EE2	
37	1P	*	B62-0097-00	INSTRUCTION MANUAL	EE2	
40	3B	*	B72-0352-04	MODEL NAME PLATE (690S)	K	
38	1P	*	B62-0099-00	INSTRUCTION MANUAL(COMMAND)		
40	3B	*	B72-0178-04	MODEL NAME PLATE (450S/AT)	XPEE2MM2	
40	3B	*	B72-0182-04	MODEL NAME PLATE (690S)	XPEE2M	
40	3B	*	B72-0353-04	MODEL NAME PLATE (450S/AT)	K	
48	1K		E04-0167-05	RF COAXIAL CABLE RECEPTACLE		
49	10		E07-0751-05	7P DIN PLUG ASSY (ACSY)		
50	10		E07-1351-05	13P ROUND PLUG ASSY(ACSY)		
51	1K	*	E23-0677-04	GND TERMINAL		
52	10		E30-3035-05	DC CABLE		
54	10		E31-2154-05	CONNECTING WIRE(CAL)		
-	-		E31-3301-05	CONNECTING WIRE		
-	-		E31-6066-05	FLAT CABLE		
-	-		E37-0234-05	FLAT CABLE		
-	-	*	E33-1951-35	FINISHED WIRE SET		
-	-	*	E37-0193-05	FLAT CABLE (PLL-GIG)		
-	-	*	E37-0194-05	FLAT CABLE (RF/SW-DIG)		
-	-	*	E37-0195-05	FLAT CABLE (DIS-DIG, RF-DIG)		
-	-	*	E37-0196-05	CONNECTING WIRE (PLL-RF/L01)		
-	-	*	E37-0197-05	CONNECTING WIRE (PLL-RF/L02)		
-	-	*	E37-0198-05	CONNECTING WIRE (CAR-PLL/20M)		
-	-	*	E37-0199-15	CONNECTING WIRE (PLL/8-CAR/5)		
-	-	*	E37-0200-05	CONNECTING WIRE (50M 10W/690S)		
-	-	*	E37-0208-05	FLAT CABLE (RF-IF)		
-	-	*	E37-0225-05	CONNECTING WIRE (CAR-PLL/DL0)		
-	-	*	E37-0227-05	CONNECTING WIRE (RF-FILTER)		
77	10		F06-4029-05	FUSE (4A ACSY)		
80	1F	*	F09-0429-05	FAN (HF)		
81	2B	*	F10-1490-03	SHIELDING PLATE (FILTER)	450S	
81	2B	*	F10-1492-03	SHIELDING PLATE (FILTER)	690S	
82	1E	*	F10-1491-02	SHIELDING PLATE (FINAL)	450S	

L:Scandinavia

K:USA

P:Canada

TS-450S : K,X,P,E,E2,M,M2

Y:PX(Far East, Hawaii)

T:England


E:Europe

TS-690S : K,X,P,E,E2,M

Y:AAFES(Europe)

X:Australia

M:Other Areas

 indicates safety critical components.

PARTS LIST

* New Parts

Parts without Parts No. are not supplied.

Les articles non mentionnés dans le Parts No. ne sont pas fournis.

Teile ohne Parts No. werden nicht geliefert.

TS-450S/690S

Ref. No. 参照番号	Address 位置	New Parts 新	Parts No. 部品番号	Description 部品名 / 規格	Desti- nation 仕 向	Re- marks 備考
83	2K	*	F10-1493-02	SHIELDING PLATE (FINAL)	690S	
84	1E	*	F10-1494-03	SHIELDING PLATE (PLL)		
85	1E	*	F10-1495-03	SHIELDING PLATE (CAR)		
86	3K	*	F10-1496-03	SHIELDING PLATE (10W 50M)	690S	
87	1F	*	F10-2011-03	SHIELDING PLATE (FAN)		
88	1K	*	F20-1071-04	INSULATING BOARD(FILTER)		
-			F51-0011-05	FUSE(6X30MM) (25A)		
90	10		F51-0011-05	FUSE(6X30MM) (25A ACSY)		
92	3A		G02-0505-05	SPRING		
93	1A		G10-0656-04	NON-WOVEN FABRIC(SP)		
-			G11-0609-04	CUSHION		
95	3E		G13-0831-04	CUSHION (TU-B)		
-			G13-0855-04	CUSHION		
97	1G	*	G13-1321-04	CUSHION (KNOB)		
98	2H	*	G13-1322-04	CUSHION (KNOB)		
99	1A	*	G13-1323-14	CUSHION (SP)		
100	20	*	H10-2727-02	POLYSTYRENE FOAMED FIXTURE(F)		
101	2P	*	H10-2728-02	POLYSTYRENE FOAMED FIXTURE(R)		
102	1P		H12-1315-04	PACKING FIXTURE		
-			H13-0860-04	PROTECTION BOARD		
103	2P	*	H20-1440-03	PROTECTION COVER		
104	10		H25-0079-04	PROTECTION BAG	KPMM2X	
105	10		H25-0112-04	PROTECTION BAG (DC CABLE)		
106	10		H25-0029-04	PROTECTION BAG		
110	30	*	H52-0121-04	ITEM CARTON BOX (450SAT)	KXPMM2	
110	30	*	H52-0125-04	ITEM CARTON BOX (450S)	KXPMM2	
110	30	*	H52-0129-04	ITEM CARTON BOX (690S)	KXPM	
110	30	*	H52-0209-04	ITEM CARTON BOX (450SAT)	E, E2	
110	30	*	H52-0210-04	ITEM CARTON BOX (450S)	E, E2	
110	30	*	H52-0211-04	ITEM CARTON BOX (690S)	E, E2	
111	3P	*	H62-0107-04	OUTER PACKING CASE(450SAT)	KXPMM2	
111	3P	*	H62-0108-04	OUTER PACKING CASE(450S)	KXPMM2	
111	3P	*	H62-0109-04	OUTER PACKING CASE(690S)	KXPM	
111	3P	*	H62-0181-04	OUTER PACKING CASE(450SAT)	E, E2	
111	3P	*	H62-0182-04	OUTER PACKING CASE(450S)	E, E2	
111	3P	*	H62-0183-04	OUTER PACKING CASE(690S)	E, E2	
114	3B		J02-0323-05	FOOT (R)		
115	3A		J02-0440-04	FOOT (SUB)		
116	1A		J02-0441-05	FOOT (SMALL)		
117	3A		J02-0442-04	FOOT (F)		
-			J13-0414-05	FUSE HOLDER		
121	3A, 3B		J21-4208-04	MOUNTING HARDWARE(SUB-FOOT)		
122	2H		J31-0141-04	COLLAR (NIC)		
-			J61-0307-05	WIRE BAND		
124	1B		K01-0416-05	HANDLE		
126	3A	*	K21-0791-02	KNOB (MAIN)		
127	10		K23-0712-04	KNOB (V0X, ACSY)		
130	2G		K29-3173-04	KNOB (BUTTON)		
131	2G		K29-4505-04	KNOB (BUTTON) (M. IN)		
132	2G		K29-4506-04	KNOB (BUTTON) (M. VFO)		
133	2G		K29-4507-04	KNOB (BUTTON) (SCAN)		
134	2G		K29-4508-04	KNOB (BUTTON) (DOWN)		
135	2G		K29-4509-04	KNOB (BUTTON) (UP)		
136	3A		K29-4515-04	KNOB (INSIDE)		

L:Scandinavia

K:USA

P:Canada

TS-450S : K,X,P,E,E2,M,M2

TS-690S : K,X,P,E,E2,M

Y:PX(Far East, Hawaii)

T:England

E:Europe

Y:AAFES(Europe)

X:Australia

M:Other Areas

△ indicates safety critical components.

TS-450S/690S

PARTS LIST

< New Parts

Parts without Parts No. are not supplied.

Les articles non mentionnés dans le Parts No. ne sont pas fournis.

Teile ohne Parts No. werden nicht geliefert.

TS-450S/690S

Ref. No. 参照番号	Address 位置	New Parts 新	Parts No. 部品番号	Description 部品名 / 規格	Desti- nation 仕向	Re- marks 備考
137	3A		K29-4516-04	KNØB (OUTSIDE)		
138	2G		K29-4611-03	KNØB(BUTTON) (1)		
139	2G		K29-4612-03	KNØB(BUTTON) (2)		
140	2G		K29-4613-03	KNØB(BUTTON) (3)		
141	2G		K29-4614-03	KNØB(BUTTON) (4)		
142	2G		K29-4615-03	KNØB(BUTTON) (5)		
143	2G		K29-4616-03	KNØB(BUTTON) (6)		
144	2G		K29-4617-03	KNØB(BUTTON) (7)		
145	2G		K29-4618-03	KNØB(BUTTON) (8)		
146	2G		K29-4619-03	KNØB(BUTTON) (9)		
147	2G		K29-4620-03	KNØB(BUTTON) (0)		
148	2G		K29-4621-03	KNØB(BUTTON) (CLR)		
149	2G		K29-4622-03	KNØB(BUTTON) (ENT)		
150	2G		K29-4626-03	KNØB(BUTTON) (VOICE)		
151	2G		K29-4630-03	KNØB(BUTTON) (F.LOCK)		
152	2G		K29-4633-03	KNØB(BUTTON) (LSB/USB)		
153	2G		K29-4634-03	KNØB(BUTTON) (CW/FSK)		
154	2G		K29-4635-03	KNØB(BUTTON) (FM/AM)		
155	2A		K29-4636-04	KNØB (POWER)		
156	3A		K29-4682-14	KNØB (MIC ETC.)		
157	1G	*	K29-4688-04	KNØB (SEND/REC)		
158	2G	*	K29-4689-03	KNØB(BUTTON) (TF/SET)		
159	2G	*	K29-4690-03	KNØB(BUTTON) (M/V)		
160	2G	*	K29-4691-03	KNØB(BUTTON) (RIT)		
161	2G	*	K29-4692-03	KNØB(BUTTON) (XIT)		
162	2G	*	K29-4693-03	KNØB(BUTTON) (A/B)		
163	2G	*	K29-4694-03	KNØB(BUTTON) (SPLIT)		
164	2G	*	K29-4695-03	KNØB(BUTTON) (A=B)		
165	2G	*	K29-4696-03	KNØB(BUTTON) (1MHZ)		
166	3G	*	K29-4697-14	KNØB (M.CH)		
167	2A	*	K29-4714-08	KNØB RING (MAIN)		
A	3K	*	N09-0623-05	SCREW (50M MODULE)	690S	
B	2E, 3E		N09-2051-05	SCREW (DIG)	X	
C	2K		N15-1040-46	FLAT WASHER (GND)		
D	2G		N19-0637-04	FLAT WASHER (PANEL)		
E	1H, 1I		N32-2604-46	FLAT HEAD MACHINE SCREW		
F	1H, 1I		N32-2606-46	FLAT HEAD MACHINE SCREW		
G	2C, 3C		N32-3005-46	FLAT HEAD MACHINE SCREW(SUB-PA		
H	1H		N32-3016-46	FLAT HEAD MACHINE SCREW(PØW.SW		
I	1A		N33-3006-41	ØVAL HEAD MACHINE SCREW(CABINE		
J	1F		N35-3004-46	BINDING HEAD MACHINE SCREW(FAN		
K	1F, 2H		N35-3018-46	BINDING HEAD MACHINE SCREW(FAN		
L	2K		N35-4010-46	BINDING HEAD MACHINE SCREW(GNO		
M	1E		N87-2606-46	BRAZIER HEAD TAPTITE SCREW		
N	1A, 1J		N87-3006-46	BRAZIER HEAD TAPTITE SCREW		
O	3A, 20		N87-3008-46	BRAZIER HEAD TAPTITE SCREW		
P	2F		N88-3006-46	FLAT HEAD TAPTITE SCREW(AT UNI		
Q	1B		N89-3006-45	BINDING HEAD TAPTITE SCREW(FIL		
R	2A		N90-3008-46	TP HEAD MACHINE SCREW(PANEL)		
170	1H		S40-2460-05	PUSH SWITCH (POWER)		
-			S50-1406-05	TACT SWITCH		
175	2A		T07-0252-15	SPEAKER		
180	1Ø		T91-0352-15	MICROPHONE		

L:Scandinavia

K:USA

P:Canada

TS-450S : K,X,P,E,E2,M,M2

Y:PX(Far East, Hawaii)

T:England

E:Europe

TS-690S : K,X,P,E,E2,M

Y:AAFES(Europe)

X:Australia

M:Other Areas

△ indicates safety critical components.

TS-450S/690S

PARTS LIST

× New Parts

Parts without Parts No. are not supplied.

Les articles non mentionnés dans le Parts No. ne sont pas fournis.

Teile ohne Parts No. werden nicht geliefert.

TS-450S/690S

SWITCH UNIT (X41-3170-00)

RF UNIT (X44-3130-XX)

Ref. No. 参照番号	Address 位置	New Parts 新	Parts No. 部品番号	Description 部品名 / 規格	Desti- nation 仕 向	Re- marks 備考
IC1 ,2			LC7582	IC(LCD DRIVER) (LCD ASSY)		
185	1E		W02-0855-05	ENCODER		
200	2H, 3I	*	X41-3170-00	SWITCH UNIT		
201	3F, 1H	*	X44-3130-00	RF UNIT	690S	
201	3F, 1H	*	X44-3130-01	RF UNIT	450S	
203	2K	*	X45-3400-00	FINAL UNIT	690S	
203	2K	*	X45-3400-01	FINAL UNIT	450S	
205	3K	*	X45-3420-00	FINAL UNIT/50M 10W	690S	
206	2D	*	X45-3430-00	FINAL UNIT/50M 25,50W	690S	
208	2E	*	X46-3120-11	DIGITAL UNIT (690S)	KP	
208	2E	*	X46-3120-12	DIGITAL UNIT (450S)	KP	
208	2E	*	X46-3120-21	DIGITAL UNIT (690S)	MX	
208	2E	*	X46-3120-22	DIGITAL UNIT (450S)	MX	
208	2E	*	X46-3120-23	DIGITAL UNIT (450S)	M2	
208	2E	*	X46-3122-71	DIGITAL UNIT (690S)	E	
208	2E	*	X46-3122-72	DIGITAL UNIT (450S)	E	
208	2E	*	X46-3122-73	DIGITAL UNIT (690S)	E2	
208	2E	*	X46-3122-74	DIGITAL UNIT (450S)	E2	
209	3E	*	X48-3090-00	IF UNIT	690S	
209	3E	*	X48-3090-01	IF UNIT	450S	
210	2E	*	X50-3150-00	PLL UNIT	690S	
210	2E	*	X50-3150-01	PLL UNIT	450S	
211	1E	*	X50-3160-00	CAR UNIT		
212	1J	*	X51-3110-00	FILTER UNIT (690S)		KXPPE2
212	1J	*	X51-3110-01	FILTER UNIT (450S)		KXPPE2
212	1J	*	X51-3110-21	FILTER UNIT (690S)		M
212	1J	*	X51-3110-22	FILTER UNIT (450S)		MM2
215	2L	*	X53-3370-00	AT UNIT (450SAT)		
SWITCH UNIT (X41-3170-00)						
CN1			E40-3300-05	PIN ASSY (3P)		
CN2			E40-3303-05	PIN ASSY (6P)		
CN3			E40-3306-05	PIN ASSY (9P)		
CN4		*	E40-3305-05	PIN ASSY (8P)		
CN5 ,6			E40-3300-05	PIN ASSY (3P)		
CN7			E40-3299-05	PIN ASSY (2P)		
J1			E11-0437-05	PHONE JACK (PHONE)		
R1 ,2			RD14CB2E101J	RD 100 J 1/4W		
VR1		*	R24-1402-05	POTENTIOMETER (NOTCH/SQ)		
VR2		*	R19-3433-05	POTENTIOMETER (AF/RF)		
VR3		*	R05-3462-05	POTENTIOMETER (MIC)		
VR4		*	R05-2404-05	POTENTIOMETER (PWR)		
VR5		*	R05-3463-05	POTENTIOMETER (CAR)		
VR6		*	R05-6403-05	POTENTIOMETER (DELAY)		
VR7		*	R19-3434-05	POTENTIOMETER (RIT/XIT, IF SET)		
S1		*	W02-1687-05	ENCODER (SUB)		
RF UNIT (X44-3130-XX) -00 : TS-690S -01 : TS-450S						
C1			CK73FB1E103K	CHIP C 0.01UF K		
C2			CC73FCH1H470J	CHIP C 47PF J		
C3			CC73FCH1H150J	CHIP C 15PF J		
C4			CC73FCH1H820J	CHIP C 82PF J		
C5			CC73FCH1H560J	CHIP C 56PF J		

L:Scandinavia

K:USA

P:Canada

TS-450S : K,X,P,E,E2,M,M2

Y:PX(Far East, Hawaii)

T:England


E:Europe

TS-690S : K,X,P,E,E2,M

Y:AAFES(Europe)

X:Australia

M:Other Areas

 indicates safety critical components.

TS-450S/690S

PARTS LIST

× New Parts

Parts without Parts No. are not supplied.

Les articles non mentionnes dans le Parts No. ne sont pas fournis.

Teile ohne Parts No. werden nicht geliefert.

RF UNIT (X44-3130-XX)

Ref. No. 参照番号	Address 位置	New Parts 新	Parts No. 部品番号	Description 部品名 / 規格	Desti- nation 仕向	Re- marks 備考
C6			CC73FCH1H330J	CHIP C 33PF J		
C7	, 8		CK73FF1E104Z	CHIP C 0.1UF Z		
C9			CK73FF1C105Z	CHIP C 1.0UF Z		
C10			CK73FF1E104Z	CHIP C 0.1UF Z		
C11			CK73FB1E103K	CHIP C 0.01UF K		
C12			CK73FB1E223K	CHIP C 0.022UF K		
C13			CK73FB1E103K	CHIP C 0.01UF K		
C14			CK73FF1C105Z	CHIP C 1.0UF Z		
C15			CK73FF1E104Z	CHIP C 0.1UF Z		
C16			CK73FB1H222K	CHIP C 2200PF K		
C17			CK73FB1H682K	CHIP C 6800PF K		
C18			CK73FB1H222K	CHIP C 2200PF K		
C19			CK73FF1C105Z	CHIP C 1.0UF Z		
C20	, 21		CK73FF1E104Z	CHIP C 0.1UF Z		
C22			CK73FB1H472K	CHIP C 4700PF K		
C23			CK73FF1E104Z	CHIP C 0.1UF Z		
C24			CK73FB1H102K	CHIP C 1000PF K		
C25			CC73FSL1H821J	CHIP C 820PF J		
C26			CK73FB1H472K	CHIP C 4700PF K		
C27			CK73FF1E104Z	CHIP C 0.1UF Z		
C28			CK73FB1H102K	CHIP C 1000PF K		
C29	, 30		CK73FB1E103K	CHIP C 0.01UF K		
C31			CK73FF1E104Z	CHIP C 0.1UF Z		
C32			CK73FB1H222K	CHIP C 2200PF K		
C33			CK73FF1E104Z	CHIP C 0.1UF Z		
C34			CK73FB1H102K	CHIP C 1000PF K		
C35			CC73FSL1H471J	CHIP C 47PF J		
C36			CK73FB1H222K	CHIP C 2200PF K		
C37			CK73FF1E104Z	CHIP C 0.1UF Z		
C38	, 39		CK73FB1H102K	CHIP C 1000PF K		
C40			CK73FF1E104Z	CHIP C 0.1UF Z		
C41			CK73FB1H102K	CHIP C 1000PF K		
C42			CC73FSL1H331J	CHIP C 330PF J		
C43			CK73FB1H102K	CHIP C 1000PF K		
C44			CK73FF1E104Z	CHIP C 0.1UF Z		
C45	, 46		CK73FB1H102K	CHIP C 1000PF K		
C47			CK73FF1E104Z	CHIP C 0.1UF Z		
C48			CK73FB1H102K	CHIP C 1000PF K		
C49			CC73FSL1H121J	CHIP C 120PF J		
C50			CK73FB1H102K	CHIP C 1000PF K		
C51			CK73FF1E104Z	CHIP C 0.1UF Z		
C52			CK73FB1H102K	CHIP C 1000PF K		
C53			CC73FSL1H821J	CHIP C 820PF J		
C54			CK73FF1E104Z	CHIP C 0.1UF Z		
C55			CK73FB1H102K	CHIP C 1000PF K		
C56			CC73FCH1H820J	CHIP C 82PF J		
C57			CC73FSL1H821J	CHIP C 820PF J		
C58			CK73FF1E104Z	CHIP C 0.1UF Z		
C59			CK73FB1H102K	CHIP C 1000PF K		
C60			CC73FSL1H391J	CHIP C 390PF J		
C61			CK73FF1E104Z	CHIP C 0.1UF Z		
C62			CK73FB1H102K	CHIP C 1000PF K		
C63			CC73FCH1H820J	CHIP C 82PF J		
C64			CC73FSL1H271J	CHIP C 270PF J		
C65			CK73FF1E104Z	CHIP C 0.1UF Z		

L:Scandinavia

K:USA

P:Canada

TS-450S : K,X,P,E,E2,M,M2

Y:PX(Far East, Hawaii)

T:England

E:Europe

TS-690S : K,X,P,E,E2,M

Y:AAFES(Europe)

X:Australia

M:Other Areas

PARTS LIST

× New Parts

Parts without Parts No. are not supplied.

Les articles non mentionnés dans le Parts No. ne sont pas fournis.

Teile ohne Parts No. werden nicht geliefert.

RF UNIT (X44-3130-XX)

Ref. No. 参照番号	Address 位置	New Parts 新	Parts No. 部品番号	Description 部品名 / 規格	Desti- nation 仕向	Re- marks 備考
C66			CK73FB1H102K	CHIP C 1000PF K		
C67			CC73FSL1H221J	CHIP C 220PF J		
C68			CK73FF1E104Z	CHIP C 0.1UF Z		
C69			CC73FCH1H680J	CHIP C 68PF J		
C70			CK73FF1E104Z	CHIP C 0.1UF Z		
C71			CK73FB1H102K	CHIP C 1000PF K		
C72			CC73FCH1H330J	CHIP C 33PF J		
C73			CC73FCH1H220J	CHIP C 22PF J		
C74			CK73FB1H222K	CHIP C 2200PF K		
C75 ,76			CK73FF1E104Z	CHIP C 0.1UF Z		
C77			CK73FB1H102K	CHIP C 1000PF K		
C78 ,79			CK73FF1E104Z	CHIP C 0.1UF Z		
C80			CC73FSL1H151J	CHIP C 150PF J		690S
C81			CK73FF1E104Z	CHIP C 0.1UF Z		690S
C82			CK73FB1H102K	CHIP C 1000PF K		690S
C83			CC73FCH1H270J	CHIP C 27PF J		690S
C84			CK73FF1E104Z	CHIP C 0.1UF Z		690S
C85			CK73FB1H102K	CHIP C 1000PF K		690S
C86			CC73FCH1H120J	CHIP C 12PF J		690S
C87			CK73FB1H102K	CHIP C 1000PF K		690S
C88			CK73FF1E104Z	CHIP C 0.1UF Z		690S
C89			CC73FCH1H270J	CHIP C 27PF J		690S
C90 ,91			CK73FB1H182K	CHIP C 1800PF K		
C92			CK73FB1H472K	CHIP C 4700PF K		
C93			CK73FB1H102K	CHIP C 1000PF K		690S
C94 ,95			CK73FF1E104Z	CHIP C 0.1UF Z		690S
C96			CC73FCH1H820J	CHIP C 82PF J		
C97 ,98			CK73FF1E104Z	CHIP C 0.1UF Z		
C99			CK73FB1E103K	CHIP C 0.01UF K		
C100			CK73FF1E104Z	CHIP C 0.1UF Z		
C101			CK73FB1E103K	CHIP C 0.01UF K		
C102			CK73FF1E104Z	CHIP C 0.1UF Z		
C103			CK73FF1C105Z	CHIP C 1.0UF Z		
C104			CK73FF1E104Z	CHIP C 0.1UF Z		
C105			CK73FF1C105Z	CHIP C 1.0UF Z		
C106			CK73FF1E104Z	CHIP C 0.1UF Z		
C107			CC73FCH1H101J	CHIP C 100PF J		
C108			CC73FCH1H150J	CHIP C 15PF J		
C109			CC73FCH1H820J	CHIP C 82PF J		
C110			CC73FCH1H470J	CHIP C 47PF J		
C111			CC73FCH1H330J	CHIP C 33PF J		
C112-114			CK73FF1E104Z	CHIP C 0.1UF Z		
C115			CC73FCH1H180J	CHIP C 18PF J		
C116			CK73FB1H103K	CHIP C 0.010UF K		
C117			CC73FCH1H020C	CHIP C 2.0PF C		
C118,119			CC73FCH1H010C	CHIP C 1PF C		
C120			CK73FF1E104Z	CHIP C 0.1UF Z		
C121			CC73FSL1H471J	CHIP C 470PF J		
C122			CE04EW1C220M	ELECTR® 22UF 16WV		
C123-127			CK73FF1E104Z	CHIP C 0.1UF Z		
C128			CK73FF1E104Z	CHIP C 0.1UF Z		
C129			CK73FB1E103K	CHIP C 0.01UF K		
C130			CC73FCH1H010C	CHIP C 1PF C		
C131			CC73FCH1H0R5C	CHIP C 0.5PF C		
C132			CC73FCH1H060D	CHIP C 6PF D		

L:Scandinavia

M:USA

P:Canada

TS-450S : K,X,P,E,E2,M,M2

Y:PX(Far East, Hawaii)

T:England

E:Europe

TS-690S : K,X,P,E,E2,M

Y:AAFES(Europe)

X:Australia

M:Other Areas

⚠ indicates safety critical components.

TS-450S/690S

PARTS LIST

× New Parts

Parts without Parts No. are not supplied.

Les articles non mentionnés dans le Parts No. ne sont pas fournis.

Teile ohne Parts No. werden nicht geliefert.

RF UNIT (X44-3130-XX)

Ref. No. 参照番号	Address 位置	New Parts 新	Parts No. 部品番号	Description 部品名 / 規格	Desti- nation 仕向	Re- marks 備考
C133, 134			CC73FCH1H050D	CHIP C 5.0PF D		
C135			CC73FCH1H0R5C	CHIP C 0.5PF C		
C136			CC73FCH1H020C	CHIP C 2.0PF C		
C137, 138			CK73FF1E104Z	CHIP C 0.1UF Z		
C139			CK73FB1H102K	CHIP C 1000PF K		
C140			CE04EW1E4R7M	ELECTRO 4.7UF 25WV		
C141, 142			CK73FB1H102K	CHIP C 1000PF K		
C143-145			CK73FF1E104Z	CHIP C 0.1UF Z		
C146-148			CC73FCH1H0R5C	CHIP C 0.5PF C		
C149			CK73FF1E104Z	CHIP C 0.1UF Z		
C150-154			CK73FB1H102K	CHIP C 1000PF K		
C155			CE04EW1E470M	ELECTRO 47UF 25WV		
C156, 157			CK73FB1H102K	CHIP C 1000PF K		
C158			CK73FB1H472K	CHIP C 4700PF K		
C159			CK73FB1H102K	CHIP C 1000PF K		
C160			CK73FB1H472K	CHIP C 4700PF K		
C161, 162			CK73FF1E104Z	CHIP C 0.1UF Z		
C163			CK73FB1H102K	CHIP C 1000PF K		
C164			CK73FF1E104Z	CHIP C 0.1UF Z		
C165, 166			CK73FB1E103K	CHIP C 0.01UF K		
C167			CK73FB1H102K	CHIP C 1000PF K		
C168-173			CK73FB1E103K	CHIP C 0.01UF K		
C174			CK73FB1E223K	CHIP C 0.022UF K		
C175			CK73FB1H102K	CHIP C 1000PF K		
C176			CK73FB1E103K	CHIP C 0.01UF K		
C177			CK73FB1H102K	CHIP C 1000PF K		
C178			CK73FB1E103K	CHIP C 0.01UF K		
C179			CC73FCH1H150J	CHIP C 15PF J		
C180-181			CK73FB1E103K	CHIP C 0.01UF K		
C182-191			CK73FB1E103K	CHIP C 0.01UF K		
C192-195			CK73FB1H102K	CHIP C 1000PF K		
C196			CK73FF1E104Z	CHIP C 0.1UF Z		
C197			CE04EW1C100M	ELECTRO 10UF 16WV		
C198			CK73FB1E103K	CHIP C 0.01UF K		
C199-201			CK73FB1H102K	CHIP C 1000PF K		
C202			CE04EW1A101M	ELECTRO 100UF 10WV		
C203			CK73FF1E104Z	CHIP C 0.1UF Z		
C204			CC73FCH1H100D	CHIP C 10PF D		
C205			CK73FB1E103K	CHIP C 0.01UF K		
C206			CK73FF1E104Z	CHIP C 0.1UF Z		
C207			CC73FCH1H220J	CHIP C 22PF J		
C208			CK73FB1E103K	CHIP C 0.01UF K		
C209			CC73FCH1H220J	CHIP C 22PF J		
C210			CK73FB1E103K	CHIP C 0.01UF K		
C211			CE04EW1H010M	ELECTRO 1.0UF 50WV		
C212, 213			CK73FB1E103K	CHIP C 0.01UF K		
C214, 215			CK73FF1E104Z	CHIP C 0.1UF Z		
C216			CK73FF1E104Z	CHIP C 0.1UF Z		
C217, 218			CK73FF1E104Z	CHIP C 0.1UF Z		690S
C219-221			CK73FB1E103K	CHIP C 0.01UF K		
C222			CC73FSL1H331J	CHIP C 330PF J		
C223			CK73FF1E104Z	CHIP C 0.1UF Z		
C224, 225			CK73FB1H102K	CHIP C 1000PF K		
C226			CE04EW1H010M	ELECTRO 1.0UF 50WV		
C227-231			CK73FB1E103K	CHIP C 0.01UF K		

L:Scandinavia

K:USA

P:Canada

Y:PX(Far East, Hawaii)

T:England

E:Europe

Y:AAFES(Europe)

X:Australia

M:Other Areas

TS-450S : K,X,P,E,E2,M,M2

TS-690S : K,X,P,E,E2,M

PARTS LIST

× New Parts

Parts without Parts No. are not supplied.

Les articles non mentionnés dans le Parts No. ne sont pas fournis.

Teile ohne Parts No. werden nicht geliefert.

RF UNIT (X44-3130-XX)

Ref. No. 参照番号	Address 位置	New Parts 新	Parts No. 部品番号	Description 部品名 / 規格	Desti- nation 仕向	Re- marks 備考
C232			CK73FB1H102K	CHIP C 1000PF K		
C233, 234			CK73FB1E103K	CHIP C 0.01UF K		
C235			CE04EW1H2R2M	ELECTRO 2.2UF 50WV		
C236			CK73FB1H102K	CHIP C 1000PF K		
C237-241			CK73FB1E103K	CHIP C 0.01UF K		
C242			CK73FB1E103K	CHIP C 0.01UF K	690S	
C243			CK73FF1E104Z	CHIP C 0.1UF Z		
C244			CC73FCHI1H150J	CHIP C 15PF J		
C245			CK73FB1E103K	CHIP C 0.01UF K		
C246			CC73FCHI1H150J	CHIP C 15PF J		
C247			CK73FB1E103K	CHIP C 0.01UF K		
C248, 249			CC73FCHI1H100D	CHIP C 10PF D		
C250, 251			CK73FB1E103K	CHIP C 0.01UF K		
C252			CC73FCHI1H050C	CHIP C 5PF C		
C253, 254			CK73FB1E473K	CHIP C 0.047UF K		
C255			CK73FB1E103K	CHIP C 0.01UF K		
C256			CK73FF1E104Z	CHIP C 0.1UF Z		
C257, 258			CK73FB1H102K	CHIP C 1000PF K		
C259			CK73FB1E103K	CHIP C 0.01UF K		
C260			CE04EW1C100M	ELECTRO 10UF 16WV		
C261			CK73FB1E473K	CHIP C 0.047UF K		
C262			CK73FF1E104Z	CHIP C 0.1UF Z		
C263			CC73FCHI1H030C	CHIP C 3PF C		
C264			CK73FB1E473K	CHIP C 0.047UF K		
C265			CK73FB1E103K	CHIP C 0.01UF K		
C266			CC73FSL1H471J	CHIP C 47PF J		
C267			CC73FCHI1H100D	CHIP C 10PF D		
C268			CK73FB1E103K	CHIP C 0.01UF K		
C269			CK73FB1H102K	CHIP C 0.001UF K		
C501-514			CC73FCHI1H101J	CHIP C 100PF J		
C515			CK73FF1E104Z	CHIP C 0.1UF Z		
C516-519			CK73FB1H102K	CHIP C 1000PF K		
TC1, 2			C05-0356-05	TRIM CAP 20PF		
A1 -4			J32-0761-04	STUD		
A9			E23-0623-04	TERMINAL (GND)		
CN1			E40-5348-05	PIN CONNECTOR (15P)		
CN2			E40-5467-05	PIN CONNECTOR (10P)		
CN3			E40-3239-05	PIN CONNECTOR (4P)		
CN4			E40-3238-05	PIN CONNECTOR (3P)		
CN5			E40-3237-05	PIN CONNECTOR (2P)		
CN6			E40-3239-05	PIN CONNECTOR (4P)		
CN7, 8			E40-3237-05	PIN CONNECTOR (2P)		
CN9 -11			E04-0154-05	RF COAXIAL CABLE RECEPTACLE		
CN12-15			E40-5059-05	PIN CONNECTOR (5P)		
CN501			E40-5427-05	PIN CONNECTOR (20P)		
CN502			E40-3241-05	PIN CONNECTOR (6P)		
J1			E06-0858-15	CYLINDRICAL RECEPTACLE(8P)		
TP1, 2			E40-3246-05	PH CONNECTOR (73.05MHZ)		
TP3			E23-0512-05	TERMINAL (CAL)		
W1			R92-0150-05	JAMPER R 0 OHM		
W501			E37-0253-05	FINISHED WIRE SET		
W502			E37-0254-05	FINISHED WIRE SET		
A5 -8			N30-3010-46	PAN HEAD MACHINE SCREW		

L:Scandinavia

K:USA

P:Canada

Y:PX(Far East, Hawaii)

T:England

E:Europe


Y:AAFES(Europe)

X:Australia

M:Other Areas

TS-450S : K,X,P,E,E2,M,M2

TS-690S : K,X,P,E,E2,M

 indicates safety critical components.

PARTS LIST

× New Parts

Parts without Parts No. are not supplied.

Les articles non mentionnés dans le Parts No. ne sont pas fournis.

Teile ohne Parts No. werden nicht geliefert.

RF UNIT (X44-3130-XX)

Ref. No. 参照番号	Address 位置	New Parts 新	Parts No. 部品番号	Description 部品名 / 規格	Desti- nation 仕向	Re- marks 備考
CF1			L72-0351-05	CERAMIC FILTER (8.83MHZ)		
L1			L40-1011-15	SMALL FIXED INDUCTOR(100UH)		
L2			L34-1163-05	COIL (9T)		
L3			L34-1162-05	COIL (6T)		
L4			L40-1021-15	SMALL FIXED INDUCTOR(1UH)		
L5	,6		L40-1501-15	SMALL FIXED INDUCTOR(15UH)		
L7			L40-1021-15	SMALL FIXED INDUCTOR(1UH)		
L8	,9		L40-5691-15	SMALL FIXED INDUCTOR(5.6UH)		
L10			L40-1021-15	SMALL FIXED INDUCTOR(1UH)		
L11			L40-1592-15	SMALL FIXED INDUCTOR(1.5UH)		
L12			L40-8291-15	SMALL FIXED INDUCTOR(0.2UH)		
L13			L40-1592-15	SMALL FIXED INDUCTOR(1.5UH)		
L14			L40-1021-15	SMALL FIXED INDUCTOR(1UH)		
L15		*	L40-4791-15	SMALL FIXED INDUCTOR(4.7UH)		
L16			L40-4701-15	SMALL FIXED INDUCTOR(47UH)		
L17			L40-1292-15	SMALL FIXED INDUCTOR(1.2UH)		
L18			L40-5691-15	SMALL FIXED INDUCTOR(5.6UH)		
L19			L40-1292-15	SMALL FIXED INDUCTOR(1.2UH)		
L20			L40-1092-15	SMALL FIXED INDUCTOR(1UH)		
L21			L40-2792-15	SMALL FIXED INDUCTOR(2.7UH)		
L22			L40-1092-15	SMALL FIXED INDUCTOR(1UH)		
L23			L40-3382-15	SMALL FIXED INDUCTOR(0.33UH)		
L24			L40-2792-15	SMALL FIXED INDUCTOR(2.7UH)		
L25			L40-3382-15	SMALL FIXED INDUCTOR(0.33UH)		
L26			L40-2282-15	SMALL FIXED INDUCTOR(0.22UH)		
L27			L40-2292-15	SMALL FIXED INDUCTOR(2.2UH)		
L28	,29		L40-2282-15	SMALL FIXED INDUCTOR(0.22UH)		
L30			L40-1092-15	SMALL FIXED INDUCTOR(1UH)		
L31			L40-2282-15	SMALL FIXED INDUCTOR(0.22UH)		
L32			L34-1163-05	COIL (9T)		
L33		*	L40-4782-15	SMALL FIXED INDUCTOR(0.47UH)		
L34			L34-1163-05	COIL (9T)		
L35			L34-4007-05	COIL		
L36			L40-1001-15	SMALL FIXED INDUCTOR(10UH)		
L37			L40-1011-15	SMALL FIXED INDUCTOR(100UH)		
L38			L34-1162-05	COIL (6T)	690S	
L39			L40-3382-15	SMALL FIXED INDUCTOR(0.33UH)	690S	
L40			L34-1162-05	COIL (6T)	690S	
L41			L34-4002-05	COIL	690S	
L42			L34-1001-05	SMALL FIXED INDUCTOR(10UH)	690S	
L43			L40-1001-15	SMALL FIXED INDUCTOR(10UH)		
L44			L40-1011-15	SMALL FIXED INDUCTOR(100UH)	690S	
L45			L40-1021-15	SMALL FIXED INDUCTOR(1UH)		
L46			L19-0324-05	BALUN TRANSFORMER		
L47			L40-3391-15	SMALL FIXED INDUCTOR(3.3UH)		
L48			L19-0324-05	BALUN TRANSFORMER		
L49			L34-1163-05	COIL (9T)		
L50			L34-1162-05	COIL (6T)		
L51			L19-0324-05	BALUN TRANSFORMER		
L52			L40-1011-15	SMALL FIXED INDUCTOR(100UH)		
L53			L34-4222-05	COIL		
L54	,55		L34-4006-05	COIL		
L56			L39-0454-05	TOROIDAL COIL		
L57			L40-1001-15	SMALL FIXED INDUCTOR(10UH)		
L58			L39-0432-05	TOROIDAL COIL		

L:Scandinavia

K:USA

P:Canada

TS-450S : K,X,P,E,E2,M,M2

TS-690S : K,X,P,E,E2,M

Y:PX(Far East, Hawaii)

T:England

E:Europe

Y:AAFES(Europe)

X:Australia

M:Other Areas

△ indicates safety critical components.

TS-450S/690S

PARTS LIST

× New Parts

Parts without Parts No. are not supplied.

Les articles non mentionnés dans le Parts No. ne sont pas fournis.

Teile ohne Parts No. werden nicht geliefert.

RF UNIT (X44-3130-XX)

Ref. No. 参照番号	Address 位置	New Parts 新	Parts No. 部品番号	Description 部品名 / 規格	Desti- nation 仕向	Re- marks 備考
L59			L40-1011-15	SMALL FIXED INDUCTOR(100UH)		
L60			L40-2292-15	SMALL FIXED INDUCTOR(2.2UH)		
L61			L40-1021-15	SMALL FIXED INDUCTOR(1UH)		
L62		*	L40-1892-15	SMALL FIXED INDUCTOR(1.8UH)		
L63			L40-1092-15	SMALL FIXED INDUCTOR(1UH)		
L64			L40-1292-15	SMALL FIXED INDUCTOR(1.2UH)		
L65			L40-1011-15	SMALL FIXED INDUCTOR(100UH)		
L66 ,67			L34-4190-05	COIL		
L68			L34-4211-05	COIL		
L69 ,70			L39-0454-05	TOROIDAL COIL		
L71			L34-4209-05	COIL		
L72 ,73			L34-0943-05	COIL		
L74 ,75			L34-0941-05	COIL		
L76			L34-0943-05	COIL		
L77			L34-0664-05	COIL		
L78			L40-1011-12	SMALL FIXED INDUCTOR(100UH)		
L79			L40-4701-15	SMALL FIXED INDUCTOR(47UH)		
L80 ,81			L40-1011-15	SMALL FIXED INDUCTOR(100UH)		
L84			L40-1021-15	SMALL FIXED INDUCTOR(1UH)		
L85		*	L40-1801-15	SMALL FIXED INDUCTOR(18UH)		
L86			L34-0535-05	COIL		
L87			L34-0536-05	COIL		
L88			L40-1021-15	SMALL FIXED INDUCTOR(1UH)		
L89			L34-4190-05	COIL		
L90			L40-1092-15	SMALL FIXED INDUCTOR(1UH)		
L91			L34-4207-05	COIL		
L92			L34-0943-05	COIL		
L93			L34-0781-05	COIL		
L94			L34-0536-05	COIL		
L97			L40-1011-15	SMALL FIXED INDUCTOR(100UH)		
X1		*	L71-0423-05	MCF 73.05MHZ		
X2			L71-0260-05	MCF 8.83MHZ		
R1			RK73FB2A473J	CHIP R 47K J 1/10W		
R2			RK73FB2A471J	CHIP R 470 J 1/10W		
R3			RK73FB2A560J	CHIP R 56 J 1/10W		
R4			RK73FB2A101J	CHIP R 100 J 1/10W		
R5			RK73FB2A680J	CHIP R 68 J 1/10W		
R6 ,7			RK73FB2A390J	CHIP R 39 J 1/10W		
R8			RK73FB2A100J	CHIP R 10 J 1/10W		
R9			RK73EB2B330J	CHIP R 33 J 1/8W		
R10			RK73FB2A680J	CHIP R 68 J 1/10W		
R11			RK73EB2B330J	CHIP R 33 J 1/8W		
R12			RK73FB2A680J	CHIP R 68 J 1/10W		
R13			RK73EB2B330J	CHIP R 33 J 1/8W		
R14			RK73FB2A680J	CHIP R 68 J 1/10W		
R15			RK73EB2B330J	CHIP R 33 J 1/8W		
R16			RK73FB2A680J	CHIP R 68 J 1/10W		
R17			RK73EB2B330J	CHIP R 33 J 1/8W		
R18			RK73FB2A680J	CHIP R 68 J 1/10W		
R19			RK73EB2B330J	CHIP R 33 J 1/8W		
R20			RK73FB2A680J	CHIP R 68 J 1/10W		
R21			RK73EB2B330J	CHIP R 33 J 1/8W		
R22			RK73FB2A680J	CHIP R 68 J 1/10W		
R23			RK73FB2A330J	CHIP R 33 J 1/10W		

L:Scandinavia

K:USA

P:Canada

TS-450S : K,X,P,E,E2,M,M2

Y:PX(Far East, Hawaii)

T:England


E:Europe

TS-690S : K,X,P,E,E2,M

Y:AAFES(Europe)

X:Australia

M:Other Areas

 indicates safety critical components.

TS-450S/690S

PARTS LIST

× New Parts

Parts without Parts No. are not supplied.

Les articles non mentionnes dans le Parts No. ne sont pas fournis.

Teile ohne Parts No. werden nicht geliefert.

RF UNIT (X44-3130-XX)

Ref. No. 参照番号	Address 位置	New Parts 新	Parts No. 部品番号	Description 部品名 / 規格	Desti- nation 仕 向	Re- marks 備考
R24 ,25			RK73FB2A101J	CHIP R 100 J 1/10W		
R26			RK73FB2A102J	CHIP R 1.0K J 1/10W		
R27			RK73FB2A122J	CHIP R 1.2K J 1/10W		
R28			RK73FB2A100J	CHIP R 10 J 1/10W		
R29 ,30			RK73FB2A271J	CHIP R 270 J 1/10W		
R31			RK73FB2A103J	CHIP R 10K J 1/10W		
R32			RK73FB2A330J	CHIP R 33 J 1/10W	690S	
R33			RK73FB2A680J	CHIP R 68 J 1/10W	690S	
R34			RK73FB2A101J	CHIP R 100 J 1/10W	690S	
R35			RK73FB2A680J	CHIP R 68 J 1/10W		
R36			RK73FB2A102J	CHIP R 1.0K J 1/10W	690S	
R37			RK73FB2A122J	CHIP R 1.2K J 1/10W	690S	
R38 ,39			RK73FB2A271J	CHIP R 270 J 1/10W	690S	
R40			RK73FB2A121J	CHIP R 120 J 1/10W		
R41			RK73FB2A221J	CHIP R 220 J 1/10W		
R42			RK73FB2A152J	CHIP R 1.5K J 1/10W		
R43			RK73FB2A220J	CHIP R 22 J 1/10W		
R44			RK73FB2A101J	CHIP R 100 J 1/10W		
R45			RK73FB2A470J	CHIP R 47 J 1/10W		
R46			RK73FB2A391J	CHIP R 390 J 1/10W		
R47			RK73FB2A471J	CHIP R 470 J 1/10W		
R48 ,49			RK73FB2A391J	CHIP R 390 J 1/10W		
R50 -53			RK73FB2A100J	CHIP R 10 J 1/10W		
R54			RK73FB2A271J	CHIP R 270 J 1/10W		
R55			RK73FB2A332J	CHIP R 3.3K J 1/10W		
R56			RK73FB2A103J	CHIP R 10K J 1/10W	690S	
R57 -60			RK73FB2A104J	CHIP R 100K J 1/10W		
R61 -69			RK73FB2A103J	CHIP R 10K J 1/10W		
R70			RK73FB2A100J	CHIP R 10 J 1/10W	690S	
R71 ,72			RK73FB2A151J	CHIP R 150 J 1/10W		
R73			RK73FB2A473J	CHIP R 47K J 1/10W		
R74			RK73FB2A472J	CHIP R 4.7K J 1/10W		
R75			RK73FB2A473J	CHIP R 47K J 1/10W		
R76			RK73FB2A102J	CHIP R 1.0K J 1/10W		
R77 -79			RK73FB2A330J	CHIP R 33 J 1/10W		
R80			RK73FB2A222J	CHIP R 2.2K J 1/10W		
R81			RK73FB2A561J	CHIP R 560 J 1/10W		
R82			RK73FB2A101J	CHIP R 100 J 1/10W		
R83			RK73FB2A151J	CHIP R 150 J 1/10W		
R84			RK73FB2A560J	CHIP R 56 J 1/10W		
R85			RK73FB2A392J	CHIP R 3.9K J 1/10W		
R86			RK73FB2A221J	CHIP R 220 J 1/10W		
R87			RK73FB2A152J	CHIP R 1.5K J 1/10W		
R88			RK73FB2A561J	CHIP R 560 J 1/10W		
R89 ,90			RK73FB2A102J	CHIP R 1.0K J 1/10W		
R91 ,92			RK73FB2A331J	CHIP R 330 J 1/10W		
R93			RK73FB2A220J	CHIP R 22 J 1/10W		
R94 ,95			RK73FB2A330J	CHIP R 33 J 1/10W		
R96			RK73FB2A220J	CHIP R 22 J 1/10W		
R97			RK73FB2A273J	CHIP R 27K J 1/10W		
R98			RK73FB2A103J	CHIP R 10K J 1/10W		
R99			RK73FB2A223J	CHIP R 22K J 1/10W		
R100			RK73FB2A103J	CHIP R 10K J 1/10W		
R101			RK73FB2A473J	CHIP R 47K J 1/10W		
R102			RK73FB2A220J	CHIP R 22 J 1/10W		

L:Scandinavia

K:USA

P:Canada

TS-450S : K,X,P,E,E2,M,M2

Y:PX(Far East, Hawaii)

T:England


E:Europe

TS-690S : K,X,P,E,E2,M

Y:AAFES(Europe)

X:Australia

M:Other Areas

 indicates safety critical components.

PARTS LIST

× New Parts

Parts without Parts No. are not supplied.

Les articles non mentionnés dans le Parts No. ne sont pas fournis.

Teile ohne Parts No. werden nicht geliefert.

RF UNIT (X44-3130-XX)

Ref. No. 参照番号	Address 位置	New Parts 新	Parts No. 部品番号	Description 部品名 / 規格	Desti- nation 仕向	Re- marks 備考
R103			RK73FB2A680J	CHIP R 68 J 1/10W		
R104			RK73FB2A561J	CHIP R 560 J 1/10W		
R105			RK73FB2A101J	CHIP R 100 J 1/10W		
R106			RK73FB2A220J	CHIP R 22 J 1/10W		
R107			RK73FB2A150J	CHIP R 15 J 1/10W		
R108			RK73FB2A680J	CHIP R 68 J 1/10W		
R109			RK73FB2A102J	CHIP R 1.0K J 1/10W		
R110			RK73FB2A471J	CHIP R 470 J 1/10W		
R111			RK73FB2A560J	CHIP R 56 J 1/10W		
R112			RK73FB2A681J	CHIP R 680 J 1/10W		
R113			RK73FB2A333J	CHIP R 33K J 1/10W		
R114			RK73FB2A104J	CHIP R 100K J 1/10W		
R115			RK73FB2A474J	CHIP R 470K J 1/10W		
R116			RK73FB2A181J	CHIP R 180 J 1/10W		
R117			RK73FB2A101J	CHIP R 100 J 1/10W		
R118			RK73FB2A330J	CHIP R 33 J 1/10W		
R119			RK73FB2A102J	CHIP R 1.0K J 1/10W		
R120			RK73FB2A330J	CHIP R 33 J 1/10W		
R121, 122			RK73FB2A222J	CHIP R 2.2K J 1/10W		
R123			RK73FB2A101J	CHIP R 100 J 1/10W		
R124			RK73FB2A472J	CHIP R 4.7K J 1/10W		
R125			RK73FB2A471J	CHIP R 470 J 1/10W		
R126			RK73FB2A333J	CHIP R 33K J 1/10W		
R127, 128			RK73FB2A104J	CHIP R 100K J 1/10W		
R129			RK73FB2A181J	CHIP R 180 J 1/10W		
R130			RK73FB2A103J	CHIP R 10K J 1/10W		
R131			RK73FB2A101J	CHIP R 100 J 1/10W		
R132			RK73FB2A222J	CHIP R 2.2K J 1/10W		
R133			RK73FB2A471J	CHIP R 470 J 1/10W		
R134			RK73FB2A152J	CHIP R 1.5K J 1/10W		
R135			RK73FB2A101J	CHIP R 100 J 1/10W		
R136			RK73FB2A221J	CHIP R 220 J 1/10W		
R137			RK73FB2A100J	CHIP R 10 J 1/10W		
R138-140			RK73FB2A101J	CHIP R 100 J 1/10W		
R141			RK73FB2A222J	CHIP R 2.2K J 1/10W		
R142			RK73FB2A101J	CHIP R 100 J 1/10W		
R143			RK73FB2A222J	CHIP R 2.2K J 1/10W		
R144			RK73FB2A101J	CHIP R 100 J 1/10W		
R145			RK73FB2A222J	CHIP R 2.2K J 1/10W		
R146			RK73FB2A101J	CHIP R 100 J 1/10W		
R147			RK73FB2A222J	CHIP R 2.2K J 1/10W		
R148			RK73FB2A101J	CHIP R 100 J 1/10W		
R149			RK73FB2A471J	CHIP R 470 J 1/10W		
R150			RK73FB2A104J	CHIP R 100K J 1/10W		
R151			RK73FB2A393J	CHIP R 39K J 1/10W		
R152			RK73FB2A104J	CHIP R 100K J 1/10W		
R153, 154			RK73FB2A330J	CHIP R 33 J 1/10W		
R155, 156			RK73FB2A471J	CHIP R 470 J 1/10W		
R157			RK73FB2A101J	CHIP R 100 J 1/10W		
R158			RK73FB2A103J	CHIP R 10K J 1/10W		
R159			RK73FB2A472J	CHIP R 4.7K J 1/10W		
R160			RK73FB2A471J	CHIP R 470 J 1/10W		
R161-166			RK73FB2A104J	CHIP R 100K J 1/10W		
R167			RK73FB2A471J	CHIP R 470 J 1/10W		
R168			R92-0670-05	CHIP R 0 QHM		

L:Scandinavia

K:USA

P:Canada

Y:PX(Far East, Hawaii)

T:England

E:Europe


Y:AAFES(Europe)

X:Australia

M:Other Areas

TS-450S : K,X,P,E,E2,M,M2

TS-690S : K,X,P,E,E2,M

 indicates safety critical components.

TS-450S/690S

PARTS LIST

× New Parts

Parts without Parts No. are not supplied.

Les articles non mentionnés dans le Parts No. ne sont pas fournis.

Teile ohne Parts No. werden nicht geliefert.

RF UNIT (X44-3130-XX)

Ref. No. 参照番号	Address 位置	New Parts 新	Parts No. 部品番号	Description 部品名 / 規格	Desti- nation 仕 向	Re- marks 備考
R169			RK73FB2A222J	CHIP R 2.2K J 1/10W		
R170			RK73FB2A152J	CHIP R 1.5K J 1/10W		
R171			RK73FB2A473J	CHIP R 47K J 1/10W		
R172			RK73FB2A472J	CHIP R 4.7K J 1/10W		
R173			RK73FB2A101J	CHIP R 100 J 1/10W		
R174			RK73FB2A472J	CHIP R 4.7K J 1/10W		
R175			RK73FB2A221J	CHIP R 220 J 1/10W		
R176			RK73FB2A102J	CHIP R 1.0K J 1/10W		
R177			RK73FB2A222J	CHIP R 2.2K J 1/10W		
R178			RK73FB2A102J	CHIP R 1.0K J 1/10W		
R179			RK73FB2A223J	CHIP R 22K J 1/10W		
R180			RK73FB2A333J	CHIP R 33K J 1/10W		
R181			RK73FB2A683J	CHIP R 68K J 1/10W		
R182			RK73FB2A102J	CHIP R 1.0K J 1/10W		
R183			RK73FB2A471J	CHIP R 470 J 1/10W		
R184			RK73FB2A103J	CHIP R 10K J 1/10W		
R185			RK73FB2A102J	CHIP R 1.0K J 1/10W		
R186			RK73FB2A333J	CHIP R 33K J 1/10W		
R187, 188			RK73FB2A474J	CHIP R 470K J 1/10W		
R189			RK73FB2A101J	CHIP R 100 J 1/10W		
R190			RK73FB2A223J	CHIP R 22K J 1/10W		
R191			RK73FB2A153J	CHIP R 15K J 1/10W		
R192-193			RK73FB2A101J	CHIP R 100 J 1/10W		
R194			RK73FB2A102J	CHIP R 1.0K J 1/10W		
R195			RK73FB2A562J	CHIP R 5.6K J 1/10W		
R196			RK73FB2A152J	CHIP R 1.5K J 1/10W		
R197			RK73FB2A333J	CHIP R 33K J 1/10W		
R198			RK73FB2A101J	CHIP R 100 J 1/10W		
R199			RK73FB2A103J	CHIP R 10K J 1/10W		
R200			RK73FB2A152J	CHIP R 1.5K J 1/10W		
R201			RK73FB2A273J	CHIP R 27K J 1/10W		
R202			RK73FB2A152J	CHIP R 1.5K J 1/10W		
R203			RK73FB2A680J	CHIP R 68 J 1/10W		
R204, 205			RK73FB2A221J	CHIP R 220 J 1/10W		
R206-209			RK73FB2A330J	CHIP R 33 J 1/10W		
R210			RK73FB2A334J	CHIP R 330K J 1/10W		
R211			RK73FB2A103J	CHIP R 10K J 1/10W		
R212			RK73FB2A823J	CHIP R 82K J 1/10W		
R213			RK73FB2A102J	CHIP R 1.0K J 1/10W		
R214			RK73FB2A821J	CHIP R 820 J 1/10W		
R215, 216			RK73FB2A101J	CHIP R 100 J 1/10W		
R217			RK73FB2A222J	CHIP R 2.2K J 1/10W		
R218			RK73FB2A103J	CHIP R 10K J 1/10W		
R219			RK73FB2A102J	CHIP R 1.0K J 1/10W		
R220			RK73FB2A223J	CHIP R 22K J 1/10W		
R221, 222			RK73FB2A332J	CHIP R 3.3K J 1/10W		
R223			RK73FB2A223J	CHIP R 22K J 1/10W		
R224			RK73FB2A392J	CHIP R 3.9K J 1/10W		
R225			RK73FB2A470J	CHIP R 47 J 1/10W		
R226			RK73FB2A471J	CHIP R 470 J 1/10W		
R227			RK73FB2A221J	CHIP R 220 J 1/10W		
R228, 229			RK73FB2A101J	CHIP R 100 J 1/10W		
R230			RK73FB2A560J	CHIP R 56 J 1/10W		
R231			RK73FB2A101J	CHIP R 100 J 1/10W		
R232			RK73FB2A152J	CHIP R 1.5K J 1/10W		

L:Scandinavia

K:USA

P:Canada

TS-450S : K,X,P,E,E2,M,M2

TS-690S : K,X,P,E,E2,M

Y:PX(Far East, Hawaii)

T:England

E:Europe

Y:AAFES(Europe)

X:Australia

M:Other Areas

△ indicates safety critical components.

TS-450S/690S

PARTS LIST

× New Parts

Parts without Parts No. are not supplied.

Les articles non mentionnes dans le Parts No. ne sont pas fournis.

Teile ohne Parts No. werden nicht geliefert.

RF UNIT (X44-3130-XX)

Ref. No. 参照番号	Address 位置	New Parts 新	Parts No. 部品番号	Description 部品名 / 規格	Desti- nation 仕向	Re- marks 備考
R233			RK73FB2A101J	CHIP R 100 J 1/10W		
R234			R92-0670-05	CHIP R 0 ΩHM		
R235			RK73FB2A102J	CHIP R 1.0K J 1/10W		
R236			RK73FB2A104J	CHIP R 100K J 1/10W		
R237			RK73FB2A271J	CHIP R 270 J 1/10W		
R238			RK73FB2A104J	CHIP R 100K J 1/10W	690S	
R239			RK73FB2A393J	CHIP R 39K J 1/10W		
R240			R92-0670-05	CHIP R 0 ΩHM		
R241			RK73FB2A102J	CHIP R 1.0K J 1/10W		
R242			RK73FB2A123J	CHIP R 12K J 1/10W		
R243			RK73FB2A102J	CHIP R 1.0K J 1/10W		
R244			RK73FB2A121J	CHIP R 120 J 1/10W		
R245			RK73FB2A101J	CHIP R 100 J 1/10W		
R247, 248			R92-0679-05	CHIP R 0 ΩHM		
R249			R92-0679-05	CHIP R 0 ΩHM	690S	
R250			R92-0679-05	CHIP R 0 ΩHM		
R251			RK73FB2A273J	CHIP R 27K J 1/10W		
R501			RK73FB2A561J	CHIP R 560 J 1/10W		
R502			RK73FB2A221J	CHIP R 220 J 1/10W		
VR1			R12-6421-05	TRIM POT. 4.7K		
VR2			R12-6415-05	TRIM POT. 470		
VR3			R12-6427-05	TRIM POT. 47K	690S	
VR4			R12-6427-05	TRIM POT. 47K		
VR5 , 6			R12-6415-05	TRIM POT. 470		
K1			S51-1436-05	RELAY		
S1 -20			S70-0403-05	TACT SWITCH		
S21 -30			S70-0403-05	TACT SWITCH		
S31 -35		*	S70-0411-05	TACT SWITCH		
S36			S40-2440-15	PUSH SWITCH		
S37		*	S40-2366-05	PUSH SWITCH		
S38			S40-2440-15	PUSH SWITCH		
S39		*	S40-2366-05	PUSH SWITCH		
D1			V08(G)	TRANSISTOR		
D2 , 3			RLS245	DIODE		
D4			V08(G)	TRANSISTOR		
D5			LFB01	DIODE		
D6 -15			RLS135	DIODE		
D16			RLS135	DIODE	690S	
D17 -25			RLS135	DIODE		
D26			RLS135	DIODE	690S	
D27 -30			RLS135	DIODE		
D31 , 32			RLS73	DIODE		
D33			RLZ5.1A	DIODE		
D34			RLS73	DIODE		
D35			RLS73	DIODE	690S	
D36 , 37			RLS135	DIODE		
D38			RLS73	DIODE		
D39 -52			RLS135	DIODE		
D53			HSM88AS	DIODE		
D54			RLS73	DIODE		
D55			RLS135	DIODE		
D56			RLZ5.1A	DIODE		
D57 -59			RLS135	DIODE		
D61 , 62			RLS135	DIODE		

L:Scandinavia

K:USA

P:Canada

TS-450S : K,X,P,E,E2,M,M2

Y:PX(Far East, Hawaii)

T:England

E:Europe

TS-690S : K,X,P,E,E2,M

Y:AAFES(Europe)

X:Australia

M:Other Areas

⚠ indicates safety critical components.

TS-450S/690S

PARTS LIST

× New Parts

Parts without Parts No. are not supplied.

Les articles non mentionnés dans le Parts No. ne sont pas fournis.

Teile ohne Parts No. werden nicht geliefert.

RF UNIT (X44-3130-XX)

FINAL UNIT : HF 100W (X45-3400-XX)

Ref. No. 参照番号	Address 位置	New Parts 新	Parts No. 部品番号	Description 部品名 / 規格	Desti- nation 仕 向	Re- marks 備考
D63 ,64 D501 D502 D503-511 IC1			RLS135 B30-2005-05 B30-2006-05 RLS73 TC9174F	DIODE LED LED DIODE IC(CMOS I/O)	690S	
IC2 IC3 IC4 IC5 Q1		*	SN74LS145NS TC9174F TC4066BF AN612 DTD114EK	IC IC(CMOS I/O) IC(BILATERAL SWITCH X4) IC(BALANCE MODULATOR) DIGITAL TRANSISTOR		
Q2 Q3 Q4 Q5 ,6 Q7			DTA143EK 2SK520(K44) 2SC2714(Y) DTC124EK 2SK520(K44)	DIGITAL TRANSISTOR FET TRANSISTOR DIGITAL TRANSISTOR FET	690S	
Q8 Q9 ,10 Q11 -13 Q14 -17 Q18			2SC2714(Y) 2SK520(K44) DTA114EK 2SK520(K44) 2SC2954(QK)	TRANSISTOR FET DIGITAL TRANSISTOR FET TRANSISTOR	690S	
Q19 -21 Q22 Q23 Q24 Q25			3SK131(M) DTA124EK DTC124EK 2SC2954(QK) 3SK131(M)	FET DIGITAL TRANSISTOR DIGITAL TRANSISTOR TRANSISTOR FET	690S 690S	
Q26 ,27 Q28 -30 Q31 Q32 -34 Q35			2SK520(K44) 3SK131(M) 2SK210(GR) 2SC2714(Y) 2SC2712(Y)	FET FET FET TRANSISTOR TRANSISTOR		
Q36 Q37 ,38 Q39 Q40 Q41			2SC2714(Y) 2SC2712(Y) DTA124EK DTC124EK 2SC2712(Y)	TRANSISTOR TRANSISTOR DIGITAL TRANSISTOR DIGITAL TRANSISTOR TRANSISTOR		
Q42 ,43 Q45 ,46 Q48			DTC114EK 3SK131(M) 3SK131(M)	DIGITAL TRANSISTOR FET FET		
TH1 TH2 -4		*	157-502-55007 157-302-53008	THERMISTER 5K THERMISTER 3K		
TH5			157-103-55001	THERMISTOR 10K		
Z1			X59-3350-00	MODULE UNIT(NB)		
FINAL UNIT : HF 100W (X45-3400-XX) -00 : TS-690S -01 : TS-450S						
C1 C2 C3 ,4 C5 C6 -8			CK45B1H561K CK45F1H103Z CK45F1H223Z CK45B1H102K CK45F1H223Z	CERAMIC 560PF K CERAMIC 0.010UF Z CERAMIC 0.022UF Z CERAMIC 1000PF K CERAMIC 0.022UF Z		
C9 C10 ,11 C12 C13 C14			CM93D2H681J C91-1004-05 CC45SL2H151J CM73F2H122J CK45F1H223Z	MICA 680PF J CHIP C 0.0068UF J CERAMIC 150PF J CHIP C 1200PF J CERAMIC 0.022UF Z		

L:Scandinavia

K:USA

P:Canada

TS-450S : K,X,P,E,E2,M,M2

TS-690S : K,X,P,E,E2,M

Y:PX(Far East, Hawaii)


T:England

E:Europe

Y:AAFES(Europe)

X:Australia

M:Other Areas

 indicates safety critical components.

TS-450S/690S

PARTS LIST

× New Parts

Parts without Parts No. are not supplied.

Les articles non mentionnes dans le Parts No. ne sont pas fournis.

Teile ohne Parts No. werden nicht geliefert.

FINAL UNIT : HF 100W (X45-3400-XX)

Ref. No. 参照番号	Address 位置	New Parts 新	Parts No. 部品番号	Description 部品名 / 規格	Desti- nation 仕向	Re- marks 備考
C15			C91-0119-05	CERAMIC 0.047UF K		
C16			CE04EW1C100M	ELECTRØ 10UF 16WV		
C17			CK45F1H223Z	CERAMIC 0.022UF Z		
C18			CE04EW1E101M	ELECTRØ 100UF 25WV		
C19			CK45F1H223Z	CERAMIC 0.022UF Z		
C20			CK45B1H102K	CERAMIC 1000PF K		
C21			C91-0119-05	CERAMIC 0.047UF K		
C22			CE04EW1C100M	ELECTRØ 10UF 16WV		
C23			CK45F1H473Z	CERAMIC 0.047UF Z		
C24			CE04EW1E101M	ELECTRØ 100UF 25WV		
C25			CK45F1H473Z	CERAMIC 0.047UF Z		
C26			CK45F1H103Z	CERAMIC 0.010UF Z		
C27			CK45F1H103Z	CERAMIC 0.010UF Z		690S
C28			CE04EW1E470M	ELECTRØ 47UF 25WV		
C29 , 30			CK45F1H103Z	CERAMIC 0.010UF Z		
C31			C90-0817-05	ELECTRØ 1000UF 16WV		
C32			CK45F1H473Z	CERAMIC 0.047UF Z		
C33			C90-0817-05	ELECTRØ 1000UF 16WV		
C34			CK45F1H473Z	CERAMIC 0.047UF Z		
C35			CE04EW1E470M	ELECTRØ 47UF 25WV		
C36			CK45F1H223Z	CERAMIC 0.022UF Z		
C37			C91-0119-05	CERAMIC 0.047UF K		
C38			CE04EW1A470M	ELECTRØ 47UF 10WV		
C39			CE04EW1E470M	ELECTRØ 47UF 25WV		
C40			CK45F1H223Z	CERAMIC 0.022UF Z		
C41			C91-0119-05	CERAMIC 0.047UF K		
C42			CE04EW1A470M	ELECTRØ 47UF 10WV		
C43			CC45SL2H121J	CERAMIC 120PF J		
C45			CK45F1H103Z	CERAMIC 0.010UF Z		690S
C47			CE04EW1A101M	ELECTRØ 100UF 10WV		
C48			CE04EW1E470M	ELECTRØ 47UF 25WV		
C49			CK45F1H223Z	CERAMIC 0.022UF Z		
C50			C91-0119-05	CERAMIC 0.047UF K		
C51			CE04EW1A470M	ELECTRØ 47UF 10WV		
C52 , 53			C91-1075-05	CERAMIC 470PF K		
C63			CK45B1H471K	CERAMIC 470PF K		
CN1			E04-0154-05	RF COAXIAL CABLE RECEPTACLE		
CN2			E40-3243-05	PIN CONNECTØR (8P)		
CN3			E40-3238-05	PIN CONNECTØR (3P)		
CN4			E40-3240-05	PIN CONNECTØR (5P)		
CN6			E40-3239-05	PIN CONNECTØR (4P)		690S
CN7			E04-0154-05	RF COAXIAL CABLE RECEPTACLE		690S
CN8 , 9			E40-3246-05	PH CONNECTØR (2P)		
K1			S76-0408-05	RELAY		690S
TP1 -3			E23-0512-05	TERMINAL (FOR D1)		
285	3J		F01-0986-01	HEAT SINK		
286	2K	*	F20-1072-04	INSULATING BOARD		
288	2J		F29-0014-05	INSULATOR		
290	2K		G02-0574-04	FLAT SPRING		
-			J61-0307-05	WIRE BAND		
L1			L40-1501-14	SMALL FIXED INDUCTØR(15UH)		
L2			L40-3391-14	SMALL FIXED INDUCTØR(3.3UH)		

L:Scandinavia

K:USA

P:Canada

TS-450S : K,X,P,E,E2,M,M2

Y:PX(Far East, Hawaii)

T:England

E:Europe

TS-690S : K,X,P,E,E2,M

Y:AAFES(Europe)

X:Australia

M:Other Areas

⚠ indicates safety critical components.

TS-450S/690S

PARTS LIST

* New Parts

Parts without Parts No. are not supplied.

Les articles non mentionnes dans le Parts No. ne sont pas fournis.

Teile ohne Parts No. werden nicht geliefert.

FINAL UNIT : HF 100W (X45-3400-XX)

Ref. No. 参照番号	Address 位置	New Parts 新	Parts No. 部品番号	Description 部品名 / 規格	Desti- nation 仕 向	Re- marks 備考
L3			L19-0315-25	BALUN TRANSFORMER		
L4 ,5			L33-0699-05	CHOKE COIL		
L6 ,7			L33-0232-05	CHOKE COIL 1UH		
L8			L33-0699-05	CHOKE COIL		
L9			L19-0342-05	BALUN TRANSFORMER		
L10 ,11			L33-0617-05	RFC		
L12			L39-0482-05	TOROIDAL COIL (NFB)		
L13		*	L39-1209-05	TOROIDAL COIL (FINAL/100W 4T)		
L14			L33-0651-05	CHOKE COIL		
L15			L33-0617-05	RFC		
L16			L40-1011-13	SMALL FIXED INDUCTOR(100UH)		
L17			L15-0016-05	LOW-FREQUENCY CHOKE COIL		
L18			L40-4701-13	SMALL FIXED INDUCTOR(47UH)		
-			N09-2077-05	SCREW		
X	2J		N30-3D08-46	PAN HEAD MACHINE SCREW		
N	2J		N87-3006-46	BRAZIER HEAD TAPTITE SCREW		
R1			RD14BB2C560J	RD 56 J 1/6W		
R2 ,3			RD14BB2C331J	RD 330 J 1/6W		
R4			RD14BB2C681J	RD 680 J 1/6W		
R5			RC05GF2H5R6J	RC 5.6 J 1/2W		
R6 ,7			RD14CB2E150J	RD 15 J 1/4W		
R8 ,9			RS14DB3A181J	FL-PROOF RS 180 J 1W		
R10 -13			RS14DB3A5R6J	FL-PROOF RS 5.6 J 1W		
R14 ,15			RS14DB3A150J	FL-PROOF RS 15 J 1W		
R16 ,17			RS14DB3A3R3J	FL-PROOF RS 3.3 J 1W		
R18			RS14DB3A100J	FL-PROOF RS 10 J 1W		
R19			RD14BB2C561J	RD 560 J 1/6W		
R20			RD14BB2C101J	RD 100 J 1/6W		
R21			RS14DB3A180J	FL-PROOF RS 18 J 1W		
R22			RD14BB2C101J	RD 100 J 1/6W		
R23			RD14BB2C151J	RD 150 J 1/6W		
R24			RD14BB2C681J	RD 680 J 1/6W		
R25			RD14BB2C473J	RD 47K J 1/6W		
R26			RD14BB2C332J	RD 3.3K J 1/6W		
R27			RD14BB2C472J	RD 4.7K J 1/6W		
R31			RS14DB3A180J	FL-PROOF RS 18 J 1W		
VR1 ,2		*	R12-6734-05	TRIMMING POT. 1K		
D1			K8-365	DIODE		
D2 ,3			SV03YS	DIODE		690S
D4			1S1555	DIODE		
D5			1S1555	DIODE		
D6			SG-5L(R)	DIODE		
D7 ,8			1SS133	DIODE		690S
IC1			UPC7808H	IC(VOLTAGE REGULATOR/ +8V)		
IC2			UPC7805H	IC(VOLTAGE REGULATOR/ +5V)		
IC3			UPC7808H	IC(VOLTAGE REGULATOR/ +8V)		
Q1			2SC1971	TRANSISTOR		
Q2 ,3			2SC2509	TRANSISTOR		
Q4 ,5			2SC2879	TRANSISTOR		
Q6 ,7			2SD1406(Y)	TRANSISTOR		
Q8			2SC1959(Y)	TRANSISTOR		
TH1			5TP41L	DIODE		
-			X59-337D-00	MODULE UNIT(FAN)		

L:Scandinavia

K:USA

P:Canada

Y:PX(Far East, Hawaii)

T:England

E:Europe

Y:AAFES(Europe)

X:Australia

M:Other Areas

TS-450S : K,X,P,E,E2,M,M2

TS-690S : K,X,P,E,E2,M

TS-450S/690S

PARTS LIST

× New Parts

Parts without Parts.No. are not supplied.

Les articles non mentionnes dans le Parts No. ne sont pas fournis.

Teile ohne Parts No. werden nicht geliefert.

FINAL UNIT : HF 100W (X45-3400-XX)

FINAL UNIT : 50M 10W (X45-3420-00)

FINAL UNIT : 50M 50W (X45-3430-00)

Ref. No. 参照番号	Address 位置	New Parts 新	Parts No. 部品番号	Description 部品名 / 規格	Desti- nation 仕 向	Re- marks 備考
W1			E37-0114-05	FINISHED WIRE SET(DRV)		
W2		*	E37-0190-05	FINISHED WIRE SET(100W DC)		
W3		*	E33-1945-15	FINISHED WIRE SET(HF)		
W4		*	E33-1946-05	FINISHED WIRE SET(50MHZ)	690S	
W5		*	E33-1945-15	FINISHED WIRE SET(HF)		
W6		*	E33-1946-05	FINISHED WIRE SET(50MHZ)	690S	
W10 , 11			R92-1061-05	JUMPER REST 0 ΩHM	450S	
W12			R92-1061-05	JUMPER REST 0 ΩHM		
FINAL UNIT : 50M 10W (X45-3420-00)						
C1			CK73FB1E103K	CHIP C 0.01UF K		
C2			CC73FSL1H121J	CHIP C 120PF J		
C3 , 4			CK73FB1E103K	CHIP C 0.01UF K		
C5			CK73FB1H472K	CHIP C 4700PF K		
C6			CE04EW1E470M	ELECTRO 47UF 25WV		
C7			CK73FB1E103K	CHIP C 0.01UF K		
C8			CK73FB1H472K	CHIP C 4700PF K		
C9			CE04EW1C330M	ELECTRO 33UF 16WV		
C10			CK73FB1H472K	CHIP C 4700PF K		
C11			CE04EW1E470M	ELECTRO 47UF 25WV		
C12 , 13			CC45SL2H560J	CERAMIC 56PF J		
C14			CK73FB1E103K	CHIP C 0.01UF K		
C15			CC73FCH1H120J	CHIP C 12PF J		
C16			CC45CH1H120J	CERAMIC 12PF J		
TC1			C05-0030-15	TRIMMING CAP 20PF		
CN1 , 2			E04-0159-05	RF COAXIAL CABLE RECEPTACLE		
CN3			E40-3239-05	PIN CONNECTOR		
L1			L34-1022-05	COIL		
L2			L33-0222-05	CHOKE COIL		
L3			L40-1011-14	SMALL FIXED INDUCTOR		
L4			L33-0651-05	CHOKE COIL		
L5			L34-1027-05	COIL		
R1			RK73FB2A332J	CHIP R 3.3K J 1/10W		
R2			RK73FB2A561J	CHIP R 560 J 1/10W		
R3			RK73EB2B100J	CHIP R 10 J 1/BW		
R4			RK73FB2A471J	CHIP R 470 J 1/10W		
IC1			M57735	IC(POWER MODULE)		
Q1			2SC2954(QK)	TRANSISTOR		
FINAL UNIT : 50M 50W (X45-3430-00)						
C1			CC45SL2H330J	CERAMIC 33PF J		
C2			CM93D2H391J	MICA 390PF J		
C3 , 4		*	CK45B1H272K	CERAMIC 2700PF K		
C5			CM93D2H331J	MICA 330PF J		
C6			CK45B1H102K	CERAMIC 1000PF K		
C7			C91-0119-05	CERAMIC 0.047UF K		
C8			CE04EW1C100M	ELECTRO 10UF 16WV		
C9			CE04EW1E101M	ELECTRO 100UF 25WV		
C10 , 11			CK45F1H473Z	CERAMIC 0.047UF Z		
C12 , 13			CK45B1H102K	CERAMIC 1000PF K		
C14			CE04EW1E100M	ELECTRO 10UF 25WV		
C15			CE04EW1C101M	ELECTRO 100UF 16WV		
-			E31-6118-05	CONNECTING WIRE		
-		*	E37-0201-05	CONNECTING WIRE		
CN1			E04-0157-05	RF COAXIAL CABLE RECEPTACLE		

L:Scandinavia

K:USA

P:Canada

Y:PX(Far East, Hawaii)

T:England

E:Europe

Y:AAFES(Europe)

X:Australia

M:Other Areas

TS-450S : K,X,P,E,E2,M,M2

TS-690S : K,X,P,E,E2,M

△ indicates safety critical components.

TS-450S/690S

PARTS LIST

x New Parts

Parts without Parts No. are not supplied.

Les articles non mentionnés dans le Parts No. ne sont pas fournis.

Teile ohne Parts No. werden nicht geliefert.

FINAL UNIT : 50M 50W (X45-3430-00)

DIGITAL UNIT (X46-312X-XX)

Ref. No. 参照番号	Address 位置	New Parts 新	Parts No. 部品番号	Description 部品名 / 規格	Desti- nation 仕向	Re- marks 備考
CN2			E40-3239-05	PIN CONNECTOR		
CN3			E40-3246-05	PIN CONNECTOR		
TP1			E23-0512-05	TERMINAL		
W1		*	E33-1947-05	FINISHED WIRE SET		
W2		*	E33-1947-05	FINISHED WIRE SET		
301	1N		F01-0987-12	HEAT SINK		
303	1M	*	F09-0429-05	HEAD PROTECTOR		
305	2M	*	F10-1497-03	SHIELDING PLATE		
306	1N		G02-0576-14	LEAF SPRING		
L1		*	L39-1211-05	COIL		
L2 ,3			L33-0699-05	CHOKER COIL		
L4		*	L39-1212-05	COIL		
L5 ,6			L33-0651-05	CHOKER COIL		
L7			L40-1011-13	SMALL FIXED INDUCTOR		
L8			L40-1011-14	SMALL FIXED INDUCTOR		
X	2M		N30-3008-46	PAN HEAD MACHINE SCREW		
K	1N		N35-3018-46	BINDING HEAD MACHINE SCREW		
N	1N		N87-3006-46	BRAZIER HEAD TAPTITE SCREW		
I	1N		N33-3006-41	OVAL HEAD MACHINE SCREW		
R1 ,2			RS14DB3A150J	FL-PROOF RS 15 J 1W		
R3			RD14BB2C561J	RD 560 J 1/6W		
R4			RD14BB2C101J	RD 100 J 1/6W		
R5			RS14DB3A220J	FL-PROOF RS 22 J 1W		
R6			RD14BB2C332J	RD 3.3K J 1/6W		
R7			RD14BB2C472J	RD 4.7K J 1/6W		
R8			RS14DB3A220J	FL-PROOF RS 22 J 1W		
VR1			R12-1083-05	TRIM POT. 1K		
W3			R92-1061-05	JUMPER REST 0 OHM		
D1			SV03YS	DIODE		
D2			1S1555	DIODE		
Q1 ,2			2SC2879	TRANSISTOR		
Q3			2SD1406(Y)	TRANSISTOR		
Q4			2SC1959(Y)	TRANSISTOR		
TH1			5TP41L	DIODE		
-			X59-3370-00	MODULE UNIT(FAN)		
DIGITAL UNIT (X46-312X-XX) 0-11 : TS-690S (K,P) 0-12 : TS-450S (K,P) 0-21 : TS-690S (X,M) 0-22 : TS-450S (X,M) 0-23 : TS-450S (M2) 2-71 : TS-690S (E) 2-72 : TS-450S (E) 2-73 : TS-690S (E2) 2-74 : TS-450S (E2)						
C1			CE04EW1A101M	ELECTRO 100UF 10WV		
C2			CE04EW1A470M	ELECTRO 47UF 10WV		
C3			CE04EW1E470M	ELECTRO 47UF 25WV		
C4			CE04EW1A101M	ELECTRO 100UF 10WV		
C5			CE04EW1A470M	ELECTRO 47UF 10WV		
C6			CE04EW1A101M	ELECTRO 100UF 10WV		
C7			C90-2041-05	ELECTRO 10UF 10WV		
C8			CE04EW1A101M	ELECTRO 100UF 10WV		
C9 -12			CE04EW1A470M	ELECTRO 47UF 10WV		
C13			CE04EW1H3R3M	ELECTRO 3.3UF 50WV		
C16 -33			CK73FB1E103K	CHIP C 0.01UF K		
C36 ,37			CC73FCH1H100D	CHIP C 10PF D		
C38 -51			CK73FB1E103K	CHIP C 0.01UF K		
C52 -56			CK73FB1H102K	CHIP C 1000PF K		
C58 -66			CK73FB1H102K	CHIP C 1000PF K		

L:Scandinavia

K:USA

P:Canada

TS-450S : K,X,P,E,E2,M,M2

Y:PX(Far East, Hawaii)

T:England


E:Europe

TS-690S : K,X,P,E,E2,M

Y:AAFES(Europe)

X:Australia

M:Other Areas

 indicates safety critical components.

PARTS LIST

× New Parts

Parts without Parts No. are not supplied.

Les articles non mentionnes dans le Parts No. ne sont pas fournis.

Teile ohne Parts No. werden nicht geliefert.

DIGITAL UNIT (X46-312X-XX)

Ref. No. 参照番号	Address 位置	New Parts 新	Parts No. 部品番号	Description 部品名 / 規格	Desti- nation 仕 向	Re- marks 備考
C67 -79			CK73FB1E103K	CHIP C 0.01UF K		
C80 -83			CK73FB1H102K	CHIP C 1000PF K		
C84 -88			CK73FB1E103K	CHIP C 0.01UF K		
C89 -96			CK73FB1H102K	CHIP C 1000PF K		
C97			CK73FB1E103K	CHIP C 0.01UF K		
C98 ,99			CK73FB1H102K	CHIP C 1000PF K		
C100-103			CK73FB1E103K	CHIP C 0.01UF K		
C104-107			CK73FB1H102K	CHIP C 1000PF K		
C108			CK73FB1E103K	CHIP C 0.01UF K		
C109-111			CK73FB1H102K	CHIP C 1000PF K		
C112,113			CK73FB1E103K	CHIP C 0.01UF K		
C114-120			CK73FB1H102K	CHIP C 1000PF K		
C121-122			CK73FB1E103K	CHIP C 0.01UF K		
C123-136			CK73FB1H471K	CHIP C 470PF K		
C137,138			CK73FB1E103K	CHIP C 0.01UF K		
C139-142			CK73FB1H102K	CHIP C 1000PF K		
C143-155			CK73FB1E103K	CHIP C 0.01UF K		
CN1			E40-5467-05	PIN CONNECTOR (10P)		
CN2			E40-3240-05	PIN CONNECTOR (5P)		
CN3			E40-3237-05	PIN CONNECTOR (2P)		
CN4			E40-5427-05	PIN CONNECTOR (20P)		
CN5			E40-5154-05	PIN CONNECTOR (12P)		
CN6			E40-5477-05	PIN CONNECTOR (8P)		
CN7 ,8			E40-3239-05	PIN CONNECTOR (4P)		
CN9		*	E40-5361-05	PIN CONNECTOR (16P)		
CN10			E40-3241-05	PIN CONNECTOR (6P)		
CN11		*	E40-5523-05	PIN CONNECTOR (10P)		
CN12			E40-3238-05	PIN CONNECTOR (3P)		
CN13		*	E40-5426-05	PIN CONNECTOR (20P)		
CN14			E40-3237-05	PIN CONNECTOR (2P)		
CN15			E02-2015-05	IC SOCKET		
J1			E56-0403-05	CYLINDRICAL RECEPTACLE(ACC1)		
L1			L40-4711-12	SMALL FIXED INDUCTOR(470UH)		
L2			L40-1011-14	SMALL FIXED INDUCTOR(100UH)		
L3			L40-4711-13	SMALL FIXED INDUCTOR(470UH)		
L4		*	L40-2201-12	SMALL FIXED INDUCTOR(22UH)		
L5			L40-2211-14	SMALL FIXED INDUCTOR(20UH)		
L6 ,7			L40-1011-14	SMALL FIXED INDUCTOR(100UH)		
L8			L40-1011-12	SMALL FIXED INDUCTOR(100UH)		
L9 ,10			L40-1011-14	SMALL FIXED INDUCTOR(100UH)		
L11 ,12			L40-4701-17	SMALL FIXED INDUCTOR(47UH)		
L13 ,14			L40-1011-17	SMALL FIXED INDUCTOR(100UH)		
X1			L77-1380-05	CRYSTAL RESONATOR (11.0592MHZ)		
CP1			R90-0455-05	MULTI-COMP 4.7KX8 J 1/4W		
R1			RK73FB2A273J	CHIP R 27K J 1/10W		
R2			RK73FB2A220J	CHIP R 22 J 1/10W		
R3 ,4			RK73FB2A103J	CHIP R 10K J 1/10W		
R5 -12			RK73FB2A104J	CHIP R 100K J 1/10W		
R13 ,14			RK73FB2A101J	CHIP R 100 J 1/10W		
R15 -18			RK73FB2A472J	CHIP R 4.7K J 1/10W		
R19 -23			RK73FB2A221J	CHIP R 220 J 1/10W		
R25			RK73FB2A221J	CHIP R 220 J 1/10W		
R26 -31			RK73FB2A101J	CHIP R 100 J 1/10W		

L:Scandinavia

K:USA

P:Canada

Y:PX(Far East, Hawaii)

T:England

E:Europe

Y:AAFES(Europe)

X:Australia

M:Other Areas

TS-450S : K,X,P,E,E2,M,M2

TS-690S : K,X,P,E,E2,M

△ indicates safety critical components.

TS-450S/690S

PARTS LIST

× New Parts

Parts without Parts No. are not supplied.

Les articles non mentionnés dans le Parts No. ne sont pas fournis.

Teile ohne Parts No. werden nicht geliefert.

DIGITAL UNIT (X46-312X-XX)

Ref. No. 参照番号	Address 位置	New Parts 新	Parts No. 部品番号	Description 部品名 / 規格	Desti- nation 仕 向	Re- marks 備考
R32 -39			RK73FB2A221J	CHIP R 220 J 1/10W		
R40 -42			RK73FB2A102J	CHIP R 1.0K J 1/10W		
R43 -46			RK73FB2A103J	CHIP R 10K J 1/10W		
R47 -50			RK73FB2A102J	CHIP R 1.0K J 1/10W		
R51 -54			RK73FB2A221J	CHIP R 220 J 1/10W		
R55 ,56			RK73FB2A102J	CHIP R 1.0K J 1/10W		
R57 ,58			RK73FB2A470J	CHIP R 47 J 1/10W		
R59 ,60			RK73FB2A472J	CHIP R 4.7K J 1/10W		
R61			RK73FB2A103J	CHIP R 10K J 1/10W		
R62			RK73FB2A223J	CHIP R 22K J 1/10W		
R63 -68			RK73FB2A221J	CHIP R 220 J 1/10W		
R69 ,70			RK73FB2A103J	CHIP R 10K J 1/10W		
R71 -74			RK73FB2A221J	CHIP R 220 J 1/10W		
R75			RK73FB2A102J	CHIP R 1.0K J 1/10W		
R76 -82			RK73FB2A221J	CHIP R 220 J 1/10W		
R83 ,84			RK73FB2A101J	CHIP R 100 J 1/10W		
R85 ,86			RK73FB2A472J	CHIP R 4.7K J 1/10W		
R87 -100			RK73FB2A101J	CHIP R 100 J 1/10W		
R101-108			RK73FB2A103J	CHIP R 10K J 1/10W		
R109			RK73FB2A101J	CHIP R 100 J 1/10W		
R110			RK73FB2A103J	CHIP R 10K J 1/10W		
R111			RK73FB2A471J	CHIP R 470 J 1/10W		
R112			RK73FB2A103J	CHIP R 10K J 1/10W		
R113-116			RK73FB2A221J	CHIP R 220 J 1/10W		
R117,118			RK73FB2A472J	CHIP R 4.7K J 1/10W		
R121,122			RK73FB2A101J	CHIP R 100 J 1/10W		
R123-126			RK73FB2A102J	CHIP R 1.0K J 1/10W		
R127			RK73FB2A103J	CHIP R 10K J 1/10W		
R130-146			RK73FB2A103J	CHIP R 10K J 1/10W		
D1 -5			RLS73	DIODE		
D6 -13			O2CZ5.1	DIODE		
D20			1SS133	DIODE		E
D21			1SS133	DIODE		KPEE2
D22			1SS133	DIODE		MM2X
D23			1SS133	DIODE		EE2
D26			RLS73	DIODE		450KPX
D26			RLS73	DIODE		450EE2
D27			RLS73	DIODE		KP
IC1		*	UPD78213GJ-5BJ	IC(CPU)		
IC2		*	C256B-15XF1JBU1	IC(ROM)		
IC2		*	27C256A-20JBU1	IC(ROM)		
IC3		*	LC3564PML-12	IC(RAM)		
IC4			TC74HC573AF	IC(LATCH)		
IC5			TC74HC138AF	IC(DECODER)		
IC6 ,7			CXD1095Q	IC(I/O EXPANDER)		
IC8		*	LZ92K371	IC		
IC9			CAT35C104KI	IC(4K EEPROM)		
IC10			M51951BML	IC(SYSTEM RESET)		
IC11			TC7S0BF	IC(2CH NAND GATE)		
IC12		*	SN74AS04NS	IC		
IC13-16			TC4S584F	IC(SCHMITT TRIGGER)		
Q1			DTC124EK	DIGITAL TRANSISTOR		
Q2 ,3			DTC143EK	DIGITAL TRANSISTOR		
Q4 ,5			DTA143EK	DIGITAL TRANSISTOR		

L:Scandinavia

K:USA

P:Canada

TS-450S : K,X,P,E,E2,M,M2

Y:PX(Far East, Hawaii)

T:England


E:Europe

TS-690S : K,X,P,E,E2,M

Y:AAFES(Europe)

X:Australia

M:Other Areas

 indicates safety critical components.

TS-450S/690S

PARTS LIST

× New Parts

Parts without Parts No. are not supplied.

Les articles non mentionnés dans le Parts No. ne sont pas fournis.

Teile ohne Parts No. werden nicht geliefert.

DIGITAL UNIT (X46-312X-XX)

IF UNIT (X48-3090-XX)

Ref. No. 参照番号	Address 位置	New Parts 新	Parts No. 部品番号	Description 部品名 / 規格	Desti- nation 仕向	Re- marks 備考
Q6			FMC3	TRANSISTOR		
BA1			W09-0514-05	LITHIUM BATTERY(CR2430)		
IF UNIT (X48-3090-XX) -00 : TS-690S -01 : TS-450S						
Z1		*	X59-3030-03	MODULE UNIT(NOTCH)		
Z2		*	X59-3920-00	MODULE UNIT(SEL)		
Z3			X59-3680-01	MODULE UNIT(TRX)		
Z4		*	X59-3930-00	MODULE UNIT(BK-IN)		
Z5			X59-3860-00	MODULE UNIT(DELAY)		
Z6			X59-1060-00	MODULE UNIT(SIDE TONE)		
Z7			X59-3000-03	MODULE UNIT(FM MIC)		
Z8			X59-1080-00	MODULE UNIT(VOX)		
Z9		*	X59-3940-00	MODULE UNIT(METER)		
C1 ,2			CK73FF1E104Z	CHIP C 0.1UF Z		
C3			CK73FB1E473K	CHIP C 0.047UF K		
C4 ,5			CK73FF1E104Z	CHIP C 0.1UF Z		
C6			CK73FB1E473K	CHIP C 0.047UF K		
C7 -19			CK73FF1E104Z	CHIP C 0.1UF Z		
C20			CK73FB1E103K	CHIP C 0.01UF K		
C21 -27			CK73FF1E104Z	CHIP C 0.1UF Z		
C28			CC73FCH1H050C	CHIP C 5PF C		
C29 ,30			CK73FF1E104Z	CHIP C 0.1UF Z		
C31			CK73FB1H102K	CHIP C 1000PF K		
C32			CK73FF1E104Z	CHIP C 0.1UF Z		
C33			CK73FB1H102K	CHIP C 1000PF K		
C34			CK73FF1E104Z	CHIP C 0.1UF Z		
C35			CE04EW1C100M	ELECTRO 10UF 16WV		
C36			CK73FF1E104Z	CHIP C 0.1UF Z		
C37			CC73FCH1H101J	CHIP C 100PF J		
C38			CK73FF1E104Z	CHIP C 0.1UF Z		
C39			CK73FB1E103K	CHIP C 0.01UF K		
C40			CK73FF1E104Z	CHIP C 0.1UF Z		
C41			CK73FB1E103K	CHIP C 0.01UF K		
C42			CK73FB1E473K	CHIP C 0.047UF K		
C43			CK73FF1E104Z	CHIP C 0.1UF Z		
C44			CE04EW1A471M	ELECTRO 470UF 10WV		
C45			CC73FCH1H101J	CHIP C 100PF J		
C46 -48			CK73FB1E103K	CHIP C 0.01UF K		
C49			CC73FSL1H221J	CHIP C 220PF J		
C50			CK73FB1E103K	CHIP C 0.01UF K		
C51			CE04EW1A101M	ELECTRO 100UF 10WV		
C52			CK73FF1C105Z	CHIP C 1.0UF Z		
C53 ,54			CE04EW1A101M	ELECTRO 100UF 10WV		
C55			CK73FB1E473K	CHIP C 0.047UF K		
C56 -59			CK73FB1H102K	CHIP C 1000PF K		
C60			CK73FB1E103K	CHIP C 0.01UF K		
C61			CK73FF1E104Z	CHIP C 0.1UF Z		
C62			CK73FB1E223K	CHIP C 0.022UF K		
C63			CC73FCH1H470J	CHIP C 47PF J		
C64			CE04EW1H010M	ELECTRO 1.0UF 50WV		
C65			CE04EW1H2R2M	ELECTRO 2.2UF 50WV		
C66			CK73FB1H102K	CHIP C 1000PF K		
C67 ,68			CC73FCH1H680J	CHIP C 68PF J		
C69 ,70			CK73FF1E104Z	CHIP C 0.1UF Z		

L:Scandinavia

K:USA

P:Canada

TS-450S : K,X,P,E,E2,M,M2

Y:PX(Far East, Hawaii)

T:England

E:Europe

TS-690S : K,X,P,E,E2,M

Y:AAFES(Europe)

X:Australia

M:Other Areas

△ indicates safety critical components.

TS-450S/690S

PARTS LIST

× New Parts

Parts without Parts No. are not supplied.

Les articles non mentionnes dans le Parts No. ne sont pas fournis.

Teile ohne Parts No. werden nicht geliefert.

IF UNIT (X48-3090-XX)

Ref. No. 参照番号	Address 位置	New Parts 新	Parts No. 部品番号	Description 部品名 / 規格	Desti- nation 仕 向	Re- marks 備考
C71			C90-2046-05	ELECTRØ 22UF 10WV		
C72			CK73FF1E104Z	CHIP C 0.1UF Z		
C73			CK73FB1H222K	CHIP C 2200PF K		
C74			CK73FB1H102K	CHIP C 1000PF K		
C75			CC73FSL1H121J	CHIP C 120PF J		
C76			CK73FF1E104Z	CHIP C 0.1UF Z		
C77			CK73FB1H102K	CHIP C 1000PF K		
C78			CK73FB1H472K	CHIP C 4700PF K		
C79			CK73FB1H102K	CHIP C 1000PF K		
C80			CE04EW1A101M	ELECTRØ 100UF 10WV		
C81			CK73FF1E104Z	CHIP C 0.1UF Z		
C82			CC73FCH1H470J	CHIP C 47PF J		
C83			CC73FSL1H221J	CHIP C 220PF J		
C84 ,85			CE04EW1HR47M	ELECTRØ 0.47UF 50WV		
C86			CK73FF1E104Z	CHIP C 0.1UF Z		
C87			CE04EW1A101M	ELECTRØ 100UF 10WV		
C88			CC73FSL1H391J	CHIP C 390PF J		
C89			CC73FSL1H821J	CHIP C 820PF J		
C90			CC73FSL1H391J	CHIP C 390PF J		
C91 ,92			CK73FF1E104Z	CHIP C 0.1UF Z		
C93			CK73FB1E104K	CHIP C 0.10UF K		
C94			CE04EW1C100M	ELECTRØ 10UF 16WV		
C95			CK73FB1E104K	CHIP C 0.10UF K		
C96			CE04EW1A101M	ELECTRØ 100UF 10WV		
C97			CK73FB1H472K	CHIP C 4700PF K		
C98			CE04EW1C100M	ELECTRØ 10UF 16WV		
C99			CE04EW1E331M	ELECTRØ 330UF 25WV		
C100			CK73FB1E103K	CHIP C 0.01UF K		
C101			CE04LW0J471M	ELECTRØ 470UF 6.3WV		
C102			CK73FF1E104Z	CHIP C 0.1UF Z		
C103			CK73FB1E103K	CHIP C 0.01UF K		
C104			C90-2153-05	ELECTRØ 470UF 10WV		
C105			CK73FB1H102K	CHIP C 1000PF K		
C106			CE04EW1A101M	ELECTRØ 100UF 10WV		
C107			CK73FF1E104Z	CHIP C 0.1UF Z		
C108			CC73FCH1H1Ø0J	CHIP C 1ØPF J		
C109			CK73FB1E103K	CHIP C 0.01UF K		
C110, 111			CK73FF1E104Z	CHIP C 0.1UF Z		
C112			CC73FCH1H470J	CHIP C 47PF J		
C113			CK73FF1E104Z	CHIP C 0.1UF Z		
C114			CE04EW1E4R7M	ELECTRØ 4.7UF 25WV		
C115			CE04EW1H010M	ELECTRØ 1.0UF 50WV		
C116			CE04EW1HØR1M	ELECTRØ 0.1UF 50WV		
C117			CE04EW1C100M	ELECTRØ 10UF 16WV		
C118			CE04EW1H010M	ELECTRØ 1.0UF 50WV		
C119			CK73FB1E103K	CHIP C 0.01UF K		
C120			CE04EW1E4R7M	ELECTRØ 4.7UF 25WV		
C121			CE04EW1C100M	ELECTRØ 10UF 16WV		
C122			CE04EW1A101M	ELECTRØ 100UF 10WV		
C123			CE04EW1A470M	ELECTRØ 47UF 10WV		
C124			CE04EW1C100M	ELECTRØ 10UF 16WV		
C125			CK73FB1E103K	CHIP C 0.01UF K		
C126			CK73FF1C105Z	CHIP C 1.0UF Z		
C127			CE04EW1A101M	ELECTRØ 100UF 10WV		
C128			CK73FF1C105Z	CHIP C 1.0UF Z		

L:Scandinavia

K:USA

P:Canada

TS-450S : K,X,P,E,E2,M,M2

Y:PX(Far East, Hawaii)

T:England

E:Europe

TS-690S : K,X,P,E,E2,M

Y:AAFES(Europe)

X:Australia

M:Other Areas

⚠ indicates safety critical components.

PARTS LIST

× New Parts

Parts without Parts No. are not supplied.

Les articles non mentionnés dans le Parts No. ne sont pas fournis.

Teile ohne Parts No. werden nicht geliefert.

IF UNIT (X48-3090-XX)

Ref. No. 参照番号	Address 位置	New Parts 新	Parts No. 部品番号	Description 部品名 / 規格	Desti- nation 仕向	Re- marks 備考
C129			CK73FB1E103K	CHIP C 0.01UF K		
C130			CC73FSL1H471J	CHIP C 47PF J		
C131			CK73FB1E223K	CHIP C 0.022UF K		
C132			CK73FF1E104Z	CHIP C 0.1UF Z		
C133			CE04EW1A101M	ELECTRØ 100UF 10WV		
C134			CK73FF1E104Z	CHIP C 0.1UF Z		
C135-137			CK73FB1E104K	CHIP C 0.10UF K		
C136, 137			CK73FB1E104K	CHIP C 0.10UF K		
C138			CK73FF1E104Z	CHIP C 0.1UF Z		
C139			CK73FB1H102K	CHIP C 1000PF K		
C140			CK73FB1E473K	CHIP C 0.047UF K		
C141			CC73FCH1H101J	CHIP C 100PF J		
C142			CK73FB1E104K	CHIP C 0.1UF K		
C143, 144			CK73FF1E104Z	CHIP C 0.1UF Z		
C145			CE04EW1A101M	ELECTRØ 100UF 10WV		
C146			CK73FF1C105Z	CHIP C 1.0UF Z		
C147			CE04EW1A220M	ELECTRØ 2.2UF 10WV		
C148			CK73FB1E103K	CHIP C 0.01UF K		
C149			CK73FB1E104K	CHIP C 0.10UF K		
C150			CE04EW1A470M	ELECTRØ 47UF 10WV		
C151			CK73FB1E103K	CHIP C 0.01UF K		
C152			CE04EW1A470M	ELECTRØ 47UF 10WV		
C153			CE04EW1C100M	ELECTRØ 10UF 16WV		
C154			CE04EW1C220M	ELECTRØ 22UF 16WV		
C155			CE04EW1H2R2M	ELECTRØ 2.2UF 50WV		
C156			CE04EW1H010M	ELECTRØ 1.0UF 50WV		
C157			CE04EW1A101M	ELECTRØ 100UF 10WV		
C158			CK73FB1E103K	CHIP C 0.01UF K		
C159-162			CK73FB1H102K	CHIP C 1000PF K		
C163			CK73FB1E103K	CHIP C 0.01UF K		
C164			CE04EW1C100M	ELECTRØ 10UF 16WV		
C165			CK73FF1C105Z	CHIP C 1.0UF Z		
C166			CE04EW1C100M	ELECTRØ 10UF 16WV		
C167			CE04EW1E4R7M	ELECTRØ 4.7UF 25WV		
C168			CE04EW1A101M	ELECTRØ 100UF 10WV		
C169			CE04EW1C100M	ELECTRØ 10UF 16WV		
C170, 171			CE04EW1E4R7M	ELECTRØ 4.7UF 25WV		
C172, 173			CC73FCH1H101J	CHIP C 100PF J		
C174			CK73FB1H222K	CHIP C 2200PF K		
C175			CK73FF1C105Z	CHIP C 1.0UF Z		
C176			CK73FF1E104Z	CHIP C 0.1UF Z		
C177			CC73FCH1H101J	CHIP C 100PF J		
C178			CE04EW1A101M	ELECTRØ 100UF 10WV		
C179			CE04EW1C100M	ELECTRØ 10UF 16WV		
C180			CK73FB1E473K	CHIP C 0.047UF K		
C181			CE04EW1C100M	ELECTRØ 10UF 16WV		
C183			CK73FB1E103K	CHIP C 0.01UF K		
C184			CE04EW1A101M	ELECTRØ 100UF 10WV		
C185			CK73FB1E103K	CHIP C 0.01UF K		
C186, 187			CE04EW1E4R7M	ELECTRØ 4.7UF 25WV		
C188			CK73FB1E103K	CHIP C 0.01UF K		
C189			CK73FF1E104Z	CHIP C 0.1UF Z		
C190			CE04EW1E4R7M	ELECTRØ 4.7UF 25WV		
C191			CK73FF1E104Z	CHIP C 0.1UF Z		
C192, 193			CK73FB1H102K	CHIP C 1000PF K		

L:Scandinavia

K:USA

P:Canada

TS-450S : K,X,P,E,E2,M,M2

Y:PX(Far East, Hawaii)

T:England


E:Europe

TS-690S : K,X,P,E,E2,M

Y:AAFES(Europe)

X:Australia

M:Other Areas

 indicates safety critical components.

TS-450S/690S

PARTS LIST

× New Parts

Parts without Parts No. are not supplied.

Les articles non mentionnés dans le Parts No. ne sont pas fournis.

Teile ohne Parts No. werden nicht geliefert.

IF UNIT (X48-3090-XX)

Ref. No. 参照番号	Address 位置	New Parts 新	Parts No. 部品番号	Description 部品名 / 規格	Desti- nation 仕向	Re- marks 備考
C194 C195-198 C199-203 C204 C205		*	CK45FE2H222P CK73FB1E103K CK73FB1H102K CK73FB1E104K CK73FB1E123K	CERAMIC 2200PF P CHIP C 0.01UF K CHIP C 1000PF K CHIP C 0.10UF K CHIP C 0.012UF K		
C206-208 C209 C210 C211 C212			CK73FB1E103K CE04EW1C100M CE04EW1A101M CE04EW1A470M CE04EW1C100M	CHIP C 0.01UF K ELECTRO 10UF 16WV ELECTRO 100UF 10WV ELECTRO 47UF 10WV ELECTRO 10UF 16WV		
C213 C214 C215 C216 C217			CK73FB1H102K CE04EW1HR47M CK73FB1E103K CE04EW1A101M CC73FCH1H101J	CHIP C 1000PF K ELECTRO 0.47UF 50WV CHIP C 0.01UF K ELECTRO 100UF 10WV CHIP C 100PF J		
C218 C219, 220 C221 C222 C223			CE04EW1A101M CK73FF1C105Z CE04EW1C100M CK73FB1E103K CE04EW1H4R7M	ELECTRO 100UF 10WV CHIP C 1.0UF Z ELECTRO 10UF 16WV CHIP C 0.01UF K ELECTRO 4.7UF 50WV		
C224 C225 C227			CK73FB1E103K CE04NW1C220M CK73FB1E103K	CHIP C 0.01UF K ELECTRO 22UF 16WV CHIP C 0.01UF K		
CN1 CN2 ,3 CN4 CN5 CN6			E40-5348-05 E40-3237-05 E40-3241-05 E40-5066-05 E40-3240-05	PIN CONNECTOR (15P STRAIGHT) PIN CONNECTOR (2P) PIN CONNECTOR (6P) PIN CONNECTOR (9P) PIN CONNECTOR (5P)		
CN7 CN8 CN9 CN10 CN11		*	E40-5426-05 E40-3241-05 E40-3237-05 E40-3241-05 E40-3239-05	PIN CONNECTOR (20P STRAIGHT) PIN CONNECTOR (6P) PIN CONNECTOR (2P) PIN CONNECTOR (6P) PIN CONNECTOR (4P)		
CN12 CN13 CN14, 15 CN16 CN17, 18			E40-3237-05 E40-3238-05 E40-3237-05 E40-3241-05 E40-5059-05	PIN CONNECTOR (2P) PIN CONNECTOR (3P) PIN CONNECTOR (2P) PIN CONNECTOR (6P) PIN CONNECTOR (OPTION FILTER)		
J1 J2 J3 J4 J5			E11-0414-05 E06-1352-05 E06-0752-05 E11-0438-05 E06-1352-05	PHONE JACK (EXT.SP) CYLINDRICAL RECEPTACLE(PACKET) CYLINDRICAL RECEPTACLE(REMOTE) PHONE JACK (KYE) CYLINDRICAL RECEPTACLE(PACKET)		
J6 ,7			E13-0166-05	PHONE JACK (DSP2)		
A1 A2 A3 ,4 A5 ,6		*	F01-0989-04 G02-0574-04 J32-0761-04 N30-3010-46	HEAT SINK FLAT SPRING STUD PAN HEAD MACHINE SCREW		
CF1 CF2 CF3 L1 L2 -4			L72-0315-05 L72-0319-05 L72-0371-05 L34-2121-05 L33-0712-05	CERAMIC FILTER 12KHZ CERAMIC FILTER 6KHZ CERAMIC FILTER 2.4KHZ COIL CHOKE COIL 6.8UH		

L:Scandinavia

K:USA

P:Canada

Y:PX(Far East, Hawaii)

T:England

E:Europe

Y:AAFES(Europe)

X:Australia

M:Other Areas

TS-450S : K,X,P,E,E2,M,M2

TS-690S : K,X,P,E,E2,M

PARTS LIST

* New Parts

Parts without Parts No. are not supplied.

Les articles non mentionnés dans le Parts No. ne sont pas fournis.

Teile ohne Parts No. werden nicht geliefert.

IF UNIT (X48-3090-XX)

Ref. No. 参照番号	Address 位置	New Parts 新	Parts No. 部品番号	Description 部品名 / 規格	Desti- nation 仕 向	Re- marks 備考
L5		*	L34-2005-05	COIL		
L6			L34-2124-05	COIL		
L7			L34-0945-05	COIL		
L8			L33-0712-05	CHOKE COIL	6.8UH	
L9			L34-4015-05	COIL		
L10 ,11			L40-1021-15	SMALL FIXED INDUCTOR	1MH	
L12			L40-1092-12	SMALL FIXED INDUCTOR	1UH	
L13			L40-1021-15	SMALL FIXED INDUCTOR	1MH	
L14			L40-1011-15	SMALL FIXED INDUCTOR	100UH	
L15			L40-1021-15	SMALL FIXED INDUCTOR	1MH	
L16			L40-1011-15	SMALL FIXED INDUCTOR	100UH	
L17			L40-1001-15	SMALL FIXED INDUCTOR	10UH	
L18			L40-4701-15	SMALL FIXED INDUCTOR	47UH	
L19 ,20			L40-1011-12	SMALL FIXED INDUCTOR	100UH	
L21 -23			L40-1011-15	SMALL FIXED INDUCTOR	100UH	
R1			RK73FB2A103J	CHIP R	10K J	1/10W
R2			RK73FB2A333J	CHIP R	33K J	1/10W
R3			RK73FB2A104J	CHIP R	100K J	1/10W
R4			RK73FB2A471J	CHIP R	470 J	1/10W
R5			RK73FB2A101J	CHIP R	100 J	1/10W
R6			RK73FB2A102J	CHIP R	1.0K J	1/10W
R7			RK73FB2A152J	CHIP R	1.5K J	1/10W
R8			RK73FB2A471J	CHIP R	470 J	1/10W
R9			RK73FB2A101J	CHIP R	100 J	1/10W
R10			RK73FB2A272J	CHIP R	2.7K J	1/10W
R11			RK73FB2A101J	CHIP R	100 J	1/10W
R12			RK73FB2A272J	CHIP R	2.7K J	1/10W
R13			RK73FB2A101J	CHIP R	100 J	1/10W
R14			RK73FB2A472J	CHIP R	4.7K J	1/10W
R15			RK73FB2A101J	CHIP R	100 J	1/10W
R16			RK73FB2A272J	CHIP R	2.7K J	1/10W
R17			RK73FB2A101J	CHIP R	100 J	1/10W
R18			RK73FB2A472J	CHIP R	4.7K J	1/10W
R19			RK73FB2A101J	CHIP R	100 J	1/10W
R20			RK73FB2A272J	CHIP R	2.7K J	1/10W
R21			RK73FB2A101J	CHIP R	100 J	1/10W
R22			RK73FB2A272J	CHIP R	2.7K J	1/10W
R23			RK73FB2A101J	CHIP R	100 J	1/10W
R24			RK73FB2A272J	CHIP R	2.7K J	1/10W
R25			RK73FB2A473J	CHIP R	47K J	1/10W
R26			RK73FB2A152J	CHIP R	1.5K J	1/10W
R27			RK73FB2A473J	CHIP R	47K J	1/10W
R28 ,29			RK73FB2A152J	CHIP R	1.5K J	1/10W
R30			RK73FB2A103J	CHIP R	10K J	1/10W
R31			RK73FB2A333J	CHIP R	33K J	1/10W
R32			RK73FB2A104J	CHIP R	100K J	1/10W
R33			RK73FB2A471J	CHIP R	470 J	1/10W
R34			RK73FB2A101J	CHIP R	100 J	1/10W
R35			RK73FB2A472J	CHIP R	4.7K J	1/10W
R36			RK73FB2A103J	CHIP R	10K J	1/10W
R37			RK73FB2A332J	CHIP R	3.3K J	1/10W
R38			RK73FB2A102J	CHIP R	1.0K J	1/10W
R39			RK73FB2A101J	CHIP R	100 J	1/10W
R40			RK73FB2A333J	CHIP R	33K J	1/10W
R41			RK73FB2A104J	CHIP R	100K J	1/10W

L:Scandinavia

K:USA

P:Canada

TS-450S : K,X,P,E,E2,M,M2

Y:PX(Far East, Hawaii)

T:England


E:Europe

TS-690S : K,X,P,E,E2,M

Y:AAFES(Europe)

X:Australia

M:Other Areas

 indicates safety critical components.

TS-450S/690S

PARTS LIST

× New Parts

Parts without Parts No. are not supplied.

Les articles non mentionnes dans le Parts No. ne sont pas fournis.

Teile ohne Parts No. werden nicht geliefert.

IF UNIT (X48-3090-XX)

Ref. No. 参照番号	Address 位置	New Parts 新	Parts No. 部品番号	Description 部品名 / 規格	Desti- nation 仕 向	Re- marks 備考
R42			RK73FB2A471J	CHIP R 470 J 1/10W		
R43			RK73FB2A101J	CHIP R 100 J 1/10W		
R44			RK73FB2A224J	CHIP R 220K J 1/10W		
R45 ,46			RK73FB2A101J	CHIP R 100 J 1/10W		
R47			RK73FB2A222J	CHIP R 2.2K J 1/10W		
R48			RK73FB2A103J	CHIP R 10K J 1/10W		
R49			RK73FB2A102J	CHIP R 1.0K J 1/10W		
R50			RK73FB2A334J	CHIP R 330K J 1/10W		
R51 ,52			RK73FB2A105J	CHIP R 1.0M J 1/10W		
R53			RK73FB2A101J	CHIP R 100 J 1/10W		
R54			RK73FB2A102J	CHIP R 1.0K J 1/10W		
R55			RK73FB2A473J	CHIP R 47K J 1/10W		
R56			RK73FB2A104J	CHIP R 100K J 1/10W		
R57			RK73FB2A101J	CHIP R 100 J 1/10W		
R58			RK73FB2A472J	CHIP R 4.7K J 1/10W		
R59			RK73FB2A682J	CHIP R 6.8K J 1/10W		
R60			RK73FB2A562J	CHIP R 5.6K J 1/10W		
R61			RK73FB2A104J	CHIP R 100K J 1/10W		
R62			RK73FB2A101J	CHIP R 100 J 1/10W		
R63			RK73FB2A103J	CHIP R 10K J 1/10W		
R64			RK73FB2A392J	CHIP R 3.9K J 1/10W		
R65			RK73FB2A103J	CHIP R 10K J 1/10W		
R66			RK73FB2A102J	CHIP R 1.0K J 1/10W		
R67			RK73FB2A681J	CHIP R 680 J 1/10W		
R68			RK73FB2A121J	CHIP R 120 J 1/10W		
R69			RK73FB2A221J	CHIP R 220 J 1/10W	450S	
R70			RK73FB2A560J	CHIP R 56 J 1/10W		
R71 -74			RK73FB2A101J	CHIP R 100 J 1/10W		
R75 -78			RK73FB2A104J	CHIP R 100K J 1/10W		
R79			RK73FB2A471J	CHIP R 470 J 1/10W		
R80			RK73FB2A152J	CHIP R 1.5K J 1/10W		
R81			RK73FB2A472J	CHIP R 4.7K J 1/10W		
R82			RK73FB2A183J	CHIP R 18K J 1/10W		
R83			RK73FB2A103J	CHIP R 10K J 1/10W		
R84			RK73FB2A473J	CHIP R 47K J 1/10W		
R85			RK73FB2A272J	CHIP R 2.7K J 1/10W		
R86			RK73FB2A392J	CHIP R 3.9K J 1/10W		
R87			RK73FB2A224J	CHIP R 220K J 1/10W		
R88			RK73FB2A153J	CHIP R 15K J 1/10W		
R89			RK73FB2A334J	CHIP R 330K J 1/10W		
R90 ,91			RK73FB2A153J	CHIP R 15K J 1/10W		
R92 -94			RK73FB2A473J	CHIP R 47K J 1/10W		
R95			RK73FB2A105J	CHIP R 1.0M J 1/10W		
R96			RK73FB2A101J	CHIP R 100 J 1/10W		
R97			RK73FB2A102J	CHIP R 1.0K J 1/10W		
R98			RK73FB2A273J	CHIP R 27K J 1/10W		
R99			RK73FB2A473J	CHIP R 47K J 1/10W		
R100,101			RK73FB2A104J	CHIP R 100K J 1/10W		
R102			RK73FB2A472J	CHIP R 4.7K J 1/10W		
R103			RK73FB2A562J	CHIP R 5.6K J 1/10W		
R104			RK73FB2A335J	CHIP R 3.3M J 1/10W		
R105			RK73FB2A103J	CHIP R 10K J 1/10W		
R106			RK73FB2A153J	CHIP R 15K J 1/10W		
R107,108			RK73FB2A123J	CHIP R 12K J 1/10W		
R109			RK73FB2A101J	CHIP R 100 J 1/10W		

L:Scandinavia

K:USA

P:Canada

TS-450S : K,X,P,E,E2,M,M2

TS-690S : K,X,P,E,E2,M

Y:PX(Far East, Hawaii)


T:England

E:Europe

Y:AAFES(Europe)

X:Australia

M:Other Areas

 indicates safety critical components.

PARTS LIST

× New Parts

Parts without Parts No. are not supplied.

Les articles non mentionnés dans le Parts No. ne sont pas fournis.

Teile ohne Parts No. werden nicht geliefert.

IF UNIT (X48-3090-XX)

Ref. No. 参照番号	Address 位置	New Parts 新	Parts No. 部品番号	Description 部品名/規格	Desti- nation 仕向	Re- marks 備考
R110, 111			RK73FB2A472J	CHIP R 4.7K J 1/10W		
R112			RK73FB2A101J	CHIP R 100 J 1/10W		
R113			RK73FB2A224J	CHIP R 220K J 1/10W		
R114			RK73FB2A222J	CHIP R 2.2K J 1/10W		
R115			RK73FB2A223J	CHIP R 22K J 1/10W		
R116			RK73FB2A104J	CHIP R 100K J 1/10W		
R117			RK73FB2A222J	CHIP R 2.2K J 1/10W		
R118			RK73FB2A151J	CHIP R 150 J 1/10W		
R119			RK73FB2A821J	CHIP R 820 J 1/10W		
R120			RK73FB2A101J	CHIP R 100 J 1/10W		
R121			RK73FB2A332J	CHIP R 3.3K J 1/10W		
R122			RK73FB2A102J	CHIP R 1.0K J 1/10W		
R123			RK73FB2A103J	CHIP R 10K J 1/10W		
R124			RK73FB2A331J	CHIP R 330 J 1/10W		
R125, 126			RK73FB2A2R2J	CHIP R 2.2 J 1/10W		
R127			RK73FB2A224J	CHIP R 220K J 1/10W		
R128			RK73FB2A473J	CHIP R 47K J 1/10W		
R129			RK73FB2A101J	CHIP R 100 J 1/10W		
R130			RK73FB2A102J	CHIP R 1.0K J 1/10W		
R131			RK73FB2A104J	CHIP R 100K J 1/10W		
R132			RK73FB2A472J	CHIP R 4.7K J 1/10W		
R133			RK73FB2A334J	CHIP R 330K J 1/10W		
R134			RK73FB2A102J	CHIP R 1.0K J 1/10W		
R135			RK73FB2A103J	CHIP R 10K J 1/10W		
R136			RK73FB2A472J	CHIP R 4.7K J 1/10W		
R137			RK73FB2A102J	CHIP R 1.0K J 1/10W		
R138			RK73FB2A105J	CHIP R 1.0M J 1/10W		
R139			RK73FB2A684J	CHIP R 680K J 1/10W		
R140			RK73FB2A222J	CHIP R 2.2K J 1/10W		
R141			RK73FB2A335J	CHIP R 3.3M J 1/10W		
R142			RK73FB2A472J	CHIP R 4.7K J 1/10W		
R143			RK73FB2A102J	CHIP R 1.0K J 1/10W		
R144			RK73FB2A103J	CHIP R 10K J 1/10W		
R145			RK73FB2A102J	CHIP R 1.0K J 1/10W		
R146			RK73FB2A474J	CHIP R 470K J 1/10W		
R147			RK73FB2A104J	CHIP R 100K J 1/10W		
R148			RK73FB2A153J	CHIP R 15K J 1/10W		
R149			RK73FB2A223J	CHIP R 22K J 1/10W		
R150			RK73FB2A562J	CHIP R 5.6K J 1/10W		
R151			RK73FB2A332J	CHIP R 3.3K J 1/10W		
R152			RK73FB2A101J	CHIP R 100 J 1/10W		
R153			RK73FB2A821J	CHIP R 820 J 1/10W		
R154			RK73FB2A103J	CHIP R 10K J 1/10W		
R155			RK73FB2A123J	CHIP R 12K J 1/10W		
R156			RK73FB2A224J	CHIP R 220K J 1/10W		
R157			RK73FB2A472J	CHIP R 4.7K J 1/10W		
R158			RK73FB2A101J	CHIP R 100 J 1/10W		
R159			RK73FB2A102J	CHIP R 1.0K J 1/10W		
R160			RK73FB2A473J	CHIP R 47K J 1/10W		
R161			RK73FB2A472J	CHIP R 4.7K J 1/10W		
R162			RK73FB2A334J	CHIP R 330K J 1/10W		
R163			RK73FB2A124J	CHIP R 120K J 1/10W		
R164			RK73FB2A103J	CHIP R 10K J 1/10W		
R165			RK73FB2A470J	CHIP R 47 J 1/10W		
R166			RK73FB2A222J	CHIP R 2.2K J 1/10W		

L:Scandinavia

K:USA

P:Canada

Y:PX(Far East, Hawaii)

T:England

E:Europe

V:AAFES(Europe)

X:Australia

M:Other Areas

TS-450S : K,X,P,E,E2,M,M2

TS-690S : K,X,P,E,E2,M

△ indicates safety critical components.

TS-450S/690S

PARTS LIST

× New Parts

Parts without Parts No. are not supplied.

Les articles non mentionnés dans le Parts No. ne sont pas fournis.

Teile ohne Parts No. werden nicht geliefert.

IF UNIT (X48-3090-XX)

Ref. No. 参照番号	Address 位置	New Parts 新	Parts No. 部品番号	Description 部品名 / 規格	Desti- nation 仕向	Re- marks 備考
R167, 168			RK73FB2A471J	CHIP R 470 J 1/10W		
R169			RK73FB2A224J	CHIP R 220K J 1/10W		
R170			RK73FB2A333J	CHIP R 33K J 1/10W		
R171			RK73FB2A224J	CHIP R 220K J 1/10W		
R172			RK73FB2A472J	CHIP R 4.7K J 1/10W		
R173, 174			RK73FB2A101J	CHIP R 100 J 1/10W		
R175, 176			RK73FB2A103J	CHIP R 10K J 1/10W		
R177			RK73FB2A102J	CHIP R 1.0K J 1/10W		
R178			RK73FB2A222J	CHIP R 2.2K J 1/10W		
R179			RK73FB2A332J	CHIP R 3.3K J 1/10W		
R180			RK73FB2A101J	CHIP R 100 J 1/10W		
R181			RK73FB2A222J	CHIP R 2.2K J 1/10W		
R182			RK73FB2A124J	CHIP R 120K J 1/10W		
R183			RK73FB2A101J	CHIP R 100 J 1/10W		
R184			RK73FB2A223J	CHIP R 22K J 1/10W		
R185			RK73FB2A221J	CHIP R 220 J 1/10W		
R186			RK73FB2A471J	CHIP R 470 J 1/10W		
R187, 188			RK73FB2A103J	CHIP R 10K J 1/10W		
R189			RK73FB2A472J	CHIP R 4.7K J 1/10W		
R190			RK73FB2A103J	CHIP R 10K J 1/10W		
R191			RK73FB2A104J	CHIP R 100K J 1/10W		
R192			RK73FB2A471J	CHIP R 470 J 1/10W		
R193			RK73FB2A104J	CHIP R 100K J 1/10W		
R194-195			RK73FB2A103J	CHIP R 10K J 1/10W		
R196			RK73FB2A472J	CHIP R 4.7K J 1/10W		
R197-199			RK73FB2A104J	CHIP R 100K J 1/10W		
R200			RK73FB2A123J	CHIP R 12K J 1/10W		
R201, 202			RK73FB2A104J	CHIP R 100K J 1/10W		
R203			RK73FB2A222J	CHIP R 2.2K J 1/10W		
R204			RK73FB2A104J	CHIP R 100K J 1/10W		
R205			RK73FB2A153J	CHIP R 15K J 1/10W		
R206-208			RK73FB2A222J	CHIP R 2.2K J 1/10W		
R209			RK73FB2A103J	CHIP R 10K J 1/10W		
R210			RK73FB2A104J	CHIP R 100K J 1/10W		
R211			RK73FB2A103J	CHIP R 10K J 1/10W		
R212			RK73FB2A222J	CHIP R 2.2K J 1/10W		
R213			RK73FB2A103J	CHIP R 10K J 1/10W		
R214			RK73FB2A104J	CHIP R 100K J 1/10W		
R215			RK73FB2A333J	CHIP R 33K J 1/10W		
R216			RK73FB2A223J	CHIP R 22K J 1/10W		
R217			RK73FB2A472J	CHIP R 4.7K J 1/10W		
R218, 219			RK73FB2A103J	CHIP R 10K J 1/10W		
R220			RK73FB2A104J	CHIP R 100K J 1/10W		
R221			RK73FB2A562J	CHIP R 5.6K J 1/10W		
R222			RK73FB2A822J	CHIP R 8.2K J 1/10W		
R223			RK73FB2A823J	CHIP R 82K J 1/10W		
R224			RK73FB2A472J	CHIP R 4.7K J 1/10W		
R225			RK73FB2A101J	CHIP R 100 J 1/10W		
R226			RK73FB2A472J	CHIP R 4.7K J 1/10W		
R227			RK73FB2A332J	CHIP R 3.3K J 1/10W		
R228			RK73FB2A101J	CHIP R 100 J 1/10W		
R229			RK73FB2A474J	CHIP R 470K J 1/10W		
R230			RK73FB2A101J	CHIP R 100 J 1/10W		
R231			RK73FB2A821J	CHIP R 820 J 1/10W		
R232			RK73FB2A223J	CHIP R 22K J 1/10W		

L:Scandinavia

K:USA

P:Canada

Y:PX(Far East, Hawaii)

T:England

E:Europe

Y:AAFES(Europe)

X:Australia

M:Other Areas

TS-450S : K,X,P,E,E2,M,M2

TS-690S : K,X,P,E,E2,M

PARTS LIST

x New Parts

Parts without Parts No. are not supplied.

Les articles non mentionnés dans le Parts No. ne sont pas fournis.

Teile ohne Parts No. werden nicht geliefert.

IF UNIT (X48-3090-XX)

Ref. No. 参照番号	Address 位置	New Parts 新	Parts No. 部品番号	Description 部品名 / 規格	Desti- nation 仕向	Re- marks 備考
R233			RK73FB2A103J	CHIP R 10K J 1/10W		
R234			RK73FB2A102J	CHIP R 1.0K J 1/10W		
R235-237			RK73FB2A103J	CHIP R 10K J 1/10W		
R238			RK73FB2A101J	CHIP R 100 J 1/10W		
R239			RK73FB2A335J	CHIP R 3.3M J 1/10W		
R240			RK73FB2A102J	CHIP R 1.0K J 1/10W		
R241			RK73FB2A824J	CHIP R 820K J 1/10W		
R242			RK73FB2A564J	CHIP R 560K J 1/10W		
R243			RK73FB2A822J	CHIP R 8.2K J 1/10W		
R244			RK73FB2A272J	CHIP R 2.7K J 1/10W		
R245			RK73FB2A104J	CHIP R 100K J 1/10W		
R246			RK73FB2A101J	CHIP R 100 J 1/10W		
R247			R92-0670-05	CHIP R 0 OHM		
R248			RK73FB2A333J	CHIP R 33K J 1/10W		
R249			RK73FB2A103J	CHIP R 10K J 1/10W		
R250			RK73FB2A473J	CHIP R 47K J 1/10W		
R251			RK73FB2A101J	CHIP R 100 J 1/10W		
R252			RK73FB2A104J	CHIP R 100K J 1/10W		
R253			RK73FB2A103J	CHIP R 10K J 1/10W		
R254			RK73FB2A102J	CHIP R 1.0K J 1/10W		
R255, 256			RK73FB2A473J	CHIP R 47K J 1/10W		
R257			RK73FB2A104J	CHIP R 100K J 1/10W		
R258			RK73FB2A102J	CHIP R 1.0K J 1/10W		
R259			RK73FB2A473J	CHIP R 47K J 1/10W		
R260			RK73FB2A104J	CHIP R 100K J 1/10W		
R261			RK73FB2A102J	CHIP R 1.0K J 1/10W		
R262			RK73FB2A225J	CHIP R 2.2M J 1/10W		
R263			RK73FB2A224J	CHIP R 220K J 1/10W		
R264			RK73FB2A562J	CHIP R 5.6K J 1/10W		
R265			RK73FB2A221J	CHIP R 220 J 1/10W		
R266			RK73FB2A152J	CHIP R 1.5K J 1/10W		
R267			RK73FB2A103J	CHIP R 10K J 1/10W		
R269			RK73FB2A103J	CHIP R 10K J 1/10W		
R270			RK73FB2A104J	CHIP R 100K J 1/10W		
R271			RK73FB2A822J	CHIP R 8.2K J 1/10W	690S	
R273			RK73FB2A471J	CHIP R 470 J 1/10W		
R275			RK73FB2A101J	CHIP R 100 J 1/10W		
R276			RK73FB2A471J	CHIP R 470 J 1/10W		
R277			RK73FB2A101J	CHIP R 100 J 1/10W		
R278			RK73FB2A153J	CHIP R 15K J 1/10W		
R279			RK73FB2A272J	CHIP R 2.7K J 1/10W		
R280		*	RD14CB2E102J	RD 1.0K J 1/4W		
R281			RK73FB2A101J	CHIP R 100 J 1/10W		
R282			RK73FB2A102J	CHIP R 1.0K J 1/10W		
R283			RK73FB2A103J	CHIP R 10K J 1/10W		
R284, 285			RK73FB2A101J	CHIP R 100 J 1/10W		
R286			RK73FB2A103J	CHIP R 10K J 1/10W		
R287			RK73FB2A104J	CHIP R 100K J 1/10W		
R288			RK73FB2A223J	CHIP R 22K J 1/10W		
R289			RK73FB2A562J	CHIP R 5.6K J 1/10W		
R290			RK73FB2A561J	CHIP R 560 J 1/10W		
R291, 292			RK73FB2A103J	CHIP R 10K J 1/10W		
R293, 294			RK73FB2A1D4J	CHIP R 100K J 1/10W		
R295			RK73FB2A472J	CHIP R 4.7K J 1/10W		
R297			RK73FB2A104J	CHIP R 100K J 1/10W		

L:Scandinavia

K:USA

P:Canada

Y:PX(Far East, Hawaii)

T:England

E:Europe


Y:AAFES(Europe)

X:Australia

M:Other Areas

TS-450S : K,X,P,E,E2,M,M2

TS-690S : K,X,P,E,E2,M

 indicates safety critical components.

TS-450S/690S

PARTS LIST

* New Parts

Parts without Parts No. are not supplied.

Les articles non mentionnés dans le Parts No. ne sont pas fournis.

Teile ohne Parts No. werden nicht geliefert.

IF UNIT (X48-3090-XX)

Ref. No. 参照番号	Address 位置	New Parts 新	Parts No. 部品番号	Description 部品名 / 規格	Desti- nation 仕向	Re- marks 備考
VR1		*	R12-6738-05	TRIMMING POT. 4.7K(IF)		
VR2			R12-6740-05	TRIMMING POT. 10K(NOTCH)		
VR3		*	R12-6738-05	TRIMMING POT. 4.7K(IF)		
VR4			R12-6744-05	TRIMMING POT. 47K(FM SM)		
VR5		*	R12-6734-05	TRIMMING POT. 1K(REF)		
VR6			R12-6744-05	TRIMMING POT. 47K(FM SM)		
VR7		*	R12-6734-05	TRIMMING POT. 1K(SIDE TONE)		
VR8		*	R12-6738-05	TRIMMING POT. 4.7K(IF)		
VR9			R12-6740-05	TRIMMING POT. 10K(NOTCH)		
VR10			R12-6742-05	TRIMMING POT. 22K(RE GAIN)		
VR11-13			R12-6740-05	TRIMMING POT. 10K(NOTCH)		
VR14			R12-6740-05	TRIMMING POT. 10K(ALC)		
VR15 ,16			R12-6744-05	TRIMMING POT. 47K(VSF)		
VR17			R12-6746-05	TRIMMING POT. 100K(50M 50W)	690S	
VR18		*	R12-6732-05	TRIMMING POT. 470(MIN)		
VR19		*	R12-6748-05	TRIMMING POT. 220K(50W)		
VR20		*	R12-6746-05	TRIMMING POT. 100K(50W)		
VR21 ,22			R12-6744-05	TRIMMING POT. 47K(FM SM)		
VR23			R12-6740-05	TRIMMING POT. 10K(NOTCH)		
VR24			R12-3410-05	TRIMMING POT. 10K		
VR25		*	R12-0443-05	TRIMMING POT. 330		
K1			SS1-1420-05	RELAY		
S1			S31-1411-05	SLIDE SWITCH		
D1 ,2			RLS135	DIODE		
D3 ,4			DAP236(K)	DIODE		
D5 -13			RLS135	DIODE		
D14			DAN202K	DIODE		
D15			1N60	DIODE		
D16 -18			RLS73	DIODE		
D19			RLZ5.1A	DIODE		
D20			RLS73	DIODE		
D21			HSM88AS	DIODE		
D22			DAP202(K)	DIODE		
D23			DAN202K	DIODE		
D24 ,25			RLS73	DIODE		
D26			HSM88AS	DIODE		
D27 ,28			RLS73	DIODE		
D29			DAN202K	DIODE		
D30 ,31			HSM88AS	DIODE		
D32			LFB01	DIODE		
D33			RLS73	DIODE		
D34 ,35			RLS135	DIODE		
D36			MI204	DIODE		
D37 -39			RLS73	DIODE		
D40			DAN202K	DIODE		
D41			RLS73	DIODE		
D42			RLZ5.1A	DIODE		
D43 -45			RLS73	DIODE		
D46			DAN202K	DIODE		
D48 -54			RLS73	DIODE		
D55			DAP202(K)	DIODE		
D56			DAN202K	DIODE		
D57			RLS73	DIODE		

L:Scandinavia

K:USA

P:Canada

TS-450S : K,X,P,E,E2,M,M2

TS-690S : K,X,P,E,E2,M

Y:PX(Far East, Hawaii)

T:England

E:Europe

Y:AAFES(Europe)

X:Australia

M:Other Areas

PARTS LIST

* New Parts

Parts without Parts No. are not supplied.

Les articles non mentionnes dans le Parts No. ne sont pas fournis.

Teile ohne Parts No. werden nicht geliefert.

IF UNIT (X48-3090-XX)

Ref. No. 参照番号	Address 位置	New Parts 新	Parts No. 部品番号	Description 部品名 / 規格	Desti- nation 仕向	Re- marks 備考
D58 ,59			DAN202K	DIODE		
D60			1SS101	DIODE		
D61			RLS73	DIODE		
D62		*	RLZ9.1B	DIODE		
D63			RLS73	DIODE		
D64			RLZ3.6B	DIODE		
D65		*	RLZ13B	DIODE		
D66 ,67			DAN202K	DIODE		
D69			DAN202K	DIODE		
D71			RLS73	DIODE		
D72			RLS73	DIODE	450S	
D73			MA110	DIODE		
D74			RLS73	DIODE		
D77			RLS73	DIODE		
IC1			UPC1037HA	IC(DUBBLE BALANCE MODULATOR)		
IC2			TC4066BF	IC(BILATERAL SWITCH X4)		
IC3			TC9174F	IC(CMOS I/O)		
IC4			MC3361D	IC(FM IF SYSTEM)		
IC5			UPC2002V	IC(OP AMP X2)		
IC6			NJM2904M	IC(OP AMP X2)		
IC7			TC4066BF	IC(BILATERAL SWITCH X4)		
IC8			AN612	IC(BALANCE MODULATOR)		
IC9			TC4S66F	IC(BILATERAL SWITCH)		
IC10			TC9174F	IC(CMOS I/O)		
IC11,12			TC4066BF	IC(BILATERAL SWITCH X4)		
IC13,14			TC4S66F	IC(BILATERAL SWITCH)		
IC15		*	UPC1313HA	IC		
IC16			NJM2902M	IC(OP AMP X4)		
Q1			DTC114EK	DIGITAL TRANSISTOR		
Q2 ,3			3SK131(M)	FET		
Q4 ,5			FMC2	TRANSISTOR		
Q6 ,7			DTC114EK	DIGITAL TRANSISTOR		
Q8			3SK131(M)	FET		
Q9 ,10			2SC2712(Y)	TRANSISTOR		
Q11			2SA1213(Y)	TRANSISTOR		
Q12			DTC124EK	DIGITAL TRANSISTOR		
Q13			DTA124EK	DIGITAL TRANSISTOR		
Q14			DTC114EK	DIGITAL TRANSISTOR		
Q15			DTA124EK	DIGITAL TRANSISTOR		
Q16			DTA124EK	DIGITAL TRANSISTOR	450S	
Q17			DTC114EK	DIGITAL TRANSISTOR	690S	
Q18			DTA124EK	DIGITAL TRANSISTOR		
Q19 -21			FMA5	TRANSISTOR		
Q22 -24			2SC2712(Y)	TRANSISTOR		
Q25			2SK210(GR)	FET		
Q26			2SA1162(Y)	TRANSISTOR		
Q27			DTC114EK	DIGITAL TRANSISTOR		
Q28			DTA124EK	DIGITAL TRANSISTOR		
Q29 ,30			2SC2712(Y)	TRANSISTOR		
Q31			2SD1757K(S)	TRANSISTOR		
Q32 ,33			2SC2712(Y)	TRANSISTOR		
Q34			DTC124EK	DIGITAL TRANSISTOR		
Q35			FMC2	TRANSISTOR		
Q36			2SC2712(Y)	TRANSISTOR		
Q37			DTC114EK	DIGITAL TRANSISTOR		

L:Scandinavia

K:USA

P:Canada

TS-450S : K,X,P,E,E2,M,M2

TS-690S : K,X,P,E,E2,M

Y:PX(Far East, Hawaii)

T:England

E:Europe

Y:AAFES(Europe)

X:Australia

M:Other Areas

△ indicates safety critical components.

TS-450S/690S

PARTS LIST

× New Parts

Parts without Parts No. are not supplied.

Les articles non mentionnés dans le Parts No. ne sont pas fournis.

Teile ohne Parts No. werden nicht geliefert.

IF UNIT (X48-3090-XX)

PLL UNIT (X50-3150-XX)

Ref. No. 参照番号	Address 位置	New Parts 新	Parts No. 部品番号	Description 部品名 / 規格	Desti- nation 向	Re- marks 備考
Q38 ,39			25C2712(Y)	TRANSISTOR		
Q40			DTA124EK	DIGITAL TRANSISTOR		
Q41			DTC114EK	DIGITAL TRANSISTOR		
Q42			DTD114EK	DIGITAL TRANSISTOR		
Q43			25C3722K(S)	TRANSISTOR		
Q44			DTA124EK	DIGITAL TRANSISTOR		
Q45			DTA143EK	DIGITAL TRANSISTOR		
Q46			DTA124EK	DIGITAL TRANSISTOR		
Q47			DTC124EK	DIGITAL TRANSISTOR		
Q48			DTC114EK	DIGITAL TRANSISTOR		
Q49			FMC2	TRANSISTOR		
Q50 ,51			DTC114EK	DIGITAL TRANSISTOR		
Q52			2SA1162(Y)	TRANSISTOR		
Q53 ,54			DTC114EK	DIGITAL TRANSISTOR		
Q55			DTA114EK	DIGITAL TRANSISTOR		
Q56			2SA1162(Y)	TRANSISTOR		
Q57			DTC114EK	DIGITAL TRANSISTOR	690S	
Q58			DTA143EK	DIGITAL TRANSISTOR		
Q59			DTC114EK	DIGITAL TRANSISTOR		
Q60			25C2712(Y)	TRANSISTOR		
Q61 ,62			DTA124EK	DIGITAL TRANSISTOR		
Q63 ,64			DTC114EK	DIGITAL TRANSISTOR		
Q65			DTB123EK	DIGITAL TRANSISTOR		
Q68 ,69			IMH5	TRANSISTOR		
Q70			DTC114EK	DIGITAL TRANSISTOR		
Q71			DTC114EK	DIGITAL TRANSISTOR	690	
Q72			FMC3	TRANSISTOR		
Q73			25C2712(Y)	TRANSISTOR		
Q74 ,75			DTC114EK	DIGITAL TRANSISTOR		
Q76			DTA124EK	DIGITAL TRANSISTOR		
TH1			157-501-53009	THERMISTOR 500		
TH2			157-502-53002	THERMISTOR 5K		
PLL UNIT (X50-3150-XX) -00 : TS-690S -01 : TS-450S						
C1			CC73FUJ1H470J	CHIP C 47PF J		
C2			CK73FB1E103K	CHIP C 0.01UF K		
C3			CE04EW1A470M	ELECTRO 47UF 10WV		
C4			CC73FCH1H151J	CHIP C 150PF J		
C5			CC73FCH1H390J	CHIP C 39PF J		
C6			CC73FCH1H020C	CHIP C 2.0PF C		
C7			CK73FB1E103K	CHIP C 0.01UF K		
C8			CE04EW1A470M	ELECTRO 47UF 10WV		
C9			CC73FCH1H050C	CHIP C 5PF C		
C10 -17			CK73FB1E103K	CHIP C 0.01UF K		
C18			CC73FCH1H820J	CHIP C 82PF J		
C19			CC73FSL1H101J	CHIP C 100PF J		
C21			CK73FB1E103K	CHIP C 0.01UF K		
C22			CK73FB1H102K	CHIP C 1000PF K		
C23			CK73FB1H222K	CHIP C 2200PF K		
C24			CK73FB1E103K	CHIP C 0.01UF K		
C25			CE04EW1A470M	ELECTRO 47UF 10WV		
C26			CK73FF1E104Z	CHIP C 0.1UF Z		
C27			CK73FB1E103K	CHIP C 0.01UF K		
C28			CK73FF1E104Z	CHIP C 0.1UF Z		
C29			CE04EW1A470M	ELECTRO 47UF 10WV		

L:Scandinavia K:USA P:Canada
 Y:PX(Far East, Hawaii) T:England E:Europe
 Y:AAFES(Europe) X:Australia M:Other Areas

TS-450S : K,X,P,E,E2,M,M2
 TS-690S : K,X,P,E,E2,M

PARTS LIST

× New Parts

Parts without Parts No. are not supplied.

Les articles non mentionnés dans le Parts No. ne sont pas fournis.

Teile ohne Parts No. werden nicht geliefert.

PLL UNIT (X50-3150-XX)

Ref. No. 参照番号	Address 位置	New Parts 新	Parts No. 部品番号	Description 部品名 / 規格	Desti- nation 仕向	Re- marks 備考
C30			CK73FF1E104Z	CHIP C 0.1UF Z		
C31			CE04EW1A471M	ELECTRO 470UF 10WV		
C32 -35			CK73FB1H102K	CHIP C 1000PF K		
C36			CK73FB1E103K	CHIP C 0.01UF K		
C37			CE04EW1A471M	ELECTRO 470UF 10WV		
C38			C91-0119-05	CERAMIC 0.047UF K		
C39			CC73FRH1H680J	CHIP C 68PF J		
C40			CC73FCH1H330J	CHIP C 33PF J		
C41			CK73FB1H102K	CHIP C 1000PF K		
C42 ,43			CC73FCH1H120J	CHIP C 12PF J		
C44			CK73FB1H102K	CHIP C 1000PF K		
C45			CC73FRH1H680J	CHIP C 68PF J		
C46			CC73FCH1H330J	CHIP C 33PF J		
C47			CK73FB1H102K	CHIP C 1000PF K		
C48			CC73FCH1H120J	CHIP C 12PF J		
C49			CC73FCH1H150J	CHIP C 15PF J		
C50			CK73FB1H102K	CHIP C 1000PF K		
C52			CC73FCH1H330J	CHIP C 33PF J		
C53			CK73FB1H102K	CHIP C 1000PF K		
C54			CC73FCH1H100D	CHIP C 10PF D		
C55			CC73FCH1H150J	CHIP C 15PF J		
C56			CK73FB1H102K	CHIP C 1000PF K		
C57			CC73FRH1H820J	CHIP C 82PF J	690S	
C58			CC73FCH1H330J	CHIP C 33PF C	690S	
C59			CK73FB1H102K	CHIP C 1000PF K	690S	
C60			CC73FCH1H050C	CHIP C 5PF C	690S	
C61			CC73FCH1H080D	CHIP C 8PF D	690S	
C62			CK73FB1H102K	CHIP C 1000PF K	690S	
C63			C91-0119-05	CERAMIC 0.047UF K		
C64 -66			CK73FB1H102K	CHIP C 1000PF K		
C67			CC73FCH1H010C	CHIP C 1PF C		
C68			CC73FCH1H0R5C	CHIP C 0.5PF C		
C69 ,70			CC73FCH1H070D	CHIP C 7PF D		
C72 -77			CK73FB1H102K	CHIP C 1000PF K		
C78 -81			CK73FB1E103K	CHIP C 0.01UF K		
C82			CK73FB1H102K	CHIP C 1000PF K		
C83			CC73FCH1H220J	CHIP C 22PF J		
C84			CC73FCH1H020C	CHIP C 2.0PF C		
C85			CC73FCH1H010C	CHIP C 1PF C		
C86			CC73FCH1H090D	CHIP C 9PF D		
C87			CC73FCH1H030C	CHIP C 3PF C		
C88			CC73FCH1H020C	CHIP C 2.0PF C		
C89			CC73FCH1H470J	CHIP C 47PF J		
C90			CC73FCH1H220J	CHIP C 22PF J		
C91			CC73FCH1H470J	CHIP C 47PF J		
C92 -95			CK73FB1E103K	CHIP C 0.01UF K		
C96			CC73FCH1H220J	CHIP C 22PF J		
C97			CK73FB1E103K	CHIP C 0.01UF K		
C98			CE04EW1A470M	ELECTRO 47UF 10WV		
C99			CK73FB1E103K	CHIP C 0.01UF K		
C100,101			CK73FB1H102K	CHIP C 1000PF K		
C102			CQ92M1H103K	MYLAR 0.010UF K		
C103			C91-10B3-05	FILM 0.47UF 63WV		
C104			CK73FB1E103K	CHIP C 0.01UF K		
C105			CE04EW1A101M	ELECTRO 100UF 10WV		

L:Scandinavia

K:USA

P:Canada

TS-450S : K,X,P,E,E2,M,M2

TS-690S : K,X,P,E,E2,M

Y:PX(Far East, Hawaii)


T:England

E:Europe

Y:AAFES(Europe)

X:Australia

M:Other Areas

 indicates safety critical components.

TS-450S/690S

PARTS LIST

× New Parts

Parts without Parts No. are not supplied.

Les articles non mentionnés dans le Parts No. ne sont pas fournis.

Teile ohne Parts No. werden nicht geliefert.

PLL UNIT (X50-3150-XX)

Ref. No. 参照番号	Address 位置	New Parts 新	Parts No. 部品番号	Description 部品名 / 規格	Desti- nation 仕 向	Re- marks 備考
C106			CK73FB1E103K	CHIP C 0.01UF K		
C107			CE04EW1A331M	ELECTRO 330UF 10WV		
C108-110			CK73FB1H102K	CHIP C 1000PF K		
C111			CC73FCH1H330J	CHIP C 33PF J		
C112			CC73FCH1H080D	CHIP C 8PF D		
C113			CC73FCH1H680J	CHIP C 68PF J		
C114			CK73FB1H102K	CHIP C 1000PF K		
C115			CK73FB1E103K	CHIP C 0.01UF K		
C116			CE04EW1A470M	ELECTRO 47UF 10WV		
C117			CK73FB1E103K	CHIP C 0.01UF K		
C118, 119			CK73FB1H102K	CHIP C 1000PF K		
C120			CQ92M1H333K	MYLAR 0.033UF K		
C121			C91-1101-05	FILM 0.22UF 63WV		
C122			CK73FB1E103K	CHIP C 0.01UF K		
C123			CE04EW1A101M	ELECTRO 100UF 10WV		
C124			CK45B1H102K	CERAMIC 1000PF K		
C125			C92-0003-05	CHIP TAN 0.47UF 25WV		
C126			CK73FB1H102K	CHIP C 1000PF K		
C127-130			CC73FSL1H101J	CHIP C 100PF J		
C131, 132			CK73FB1E103K	CHIP C 0.01UF K		
C133			CK73FB1H102K	CHIP C 1000PF K		690S
C134			CK73FB1E103K	CHIP C 0.01UF K		690S
C135			CC73FCH1H050C	CHIP C 5PF C		690S
C136			CC73FCH1H040C	CHIP C 4PF C		690S
C137			CC73FCH1H050C	CHIP C 5PF C		690S
C138-142			CK73FB1E103K	CHIP C 0.01UF K		690S
C143-145			CK73FB1H102K	CHIP C 1000PF K		690S
C146			CC73FRH1H120J	CHIP C 12PF J		690S
C148			CC73FRH1H120J	CHIP C 12PF J		690S
C149			CK73FB1H102K	CHIP C 1000PF K		690S
C151			CE04EW1A101M	ELECTRO 100UF 10WV		
C152			CC73FCH1H030C	CHIP C 3PF C		
C153			CK73FB1H102K	CHIP C 1000PF K		
C154			CC73FCH1H100D	CHIP C 10PF D		
C155			CK73FB1E103K	CHIP C 0.01UF K		
TC1			C05-0067-05	TRIMMING CAP (25PF)		
CN1			E40-3237-05	PIN CONNECTOR (2P)		
CN2			E40-5469-05	PIN CONNECTOR (12P)		
CN3 , 4			E04-0154-05	RF COAXIAL CABLE RECEPTACLE		
CN5			E40-3237-05	PIN CONNECTOR (2P)		
CN6 , 7			E04-0154-05	RF COAXIAL CABLE RECEPTACLE		
CN8			E40-3238-05	PIN CONNECTOR (3P)		
A1			F11-1140-04	SHIELDING CASE		
A2			F11-1141-04	SHIELDING COVER		
L1			L40-1011-14	SMALL FIXED INDUCTOR		
L2			L40-1501-17	SMALL FIXED INDUCTOR		
L3			L40-1001-17	SMALL FIXED INDUCTOR		
L4			L40-1011-14	SMALL FIXED INDUCTOR		
L5			L34-4000-05	COIL		
L6			L40-4791-19	SMALL FIXED INDUCTOR		
L7		*	L34-4286-05	COIL		
L8			L40-4791-19	SMALL FIXED INDUCTOR		
L9		*	L34-4286-05	COIL		

L:Scandinavia

K:USA

P:Canada

TS-450S : K,X,P,E,E2,M,M2

TS-690S : K,X,P,E,E2,M

Y:PX(Far East, Hawaii)

T:England

E:Europe

Y:AAFES(Europe)

X:Australia

M:Other Areas

PARTS LIST

× New Parts

Parts without Parts No. are not supplied.

Les articles non mentionnés dans le Parts No. ne sont pas fournis.

Teile ohne Parts No. werden nicht geliefert.

PLL UNIT (X50-3150-XX)

Ref. No. 参照番号	Address 位置	New Parts 新	Parts No. 部品番号	Description 部品名 / 規格	Desti- nation 仕向	Re- marks 備考
L10			L40-4791-19	SMALL FIXED INDUCTOR		
L11		*	L34-4287-05	COIL	690S	
L12			L40-4791-19	SMALL FIXED INDUCTOR	690S	
L13			L40-3982-17	SMALL FIXED INDUCTOR		
L14			L34-1163-05	COIL		
L15			L40-2292-17	SMALL FIXED INDUCTOR		
L16			L40-1592-17	SMALL FIXED INDUCTOR		
L17 ,18			L40-1501-17	SMALL FIXED INDUCTOR		
L19			L40-4701-17	SMALL FIXED INDUCTOR		
L21			L40-1011-14	SMALL FIXED INDUCTOR		
L22			L40-2282-17	SMALL FIXED INDUCTOR		
L23 -25			L40-4701-17	SMALL FIXED INDUCTOR		
L26 -28			L40-4701-17	SMALL FIXED INDUCTOR	690S	
L29			L40-3991-17	SMALL FIXED INDUCTOR	690S	
L30			L40-4701-17	SMALL FIXED INDUCTOR	690S	
L31 ,32			L34-4222-05	COIL	690S	
L33 -35			L33-0664-05	CHOKER COIL		
X1			L77-0963-05	CRYSTAL RESONATOR(20MHZ)		
-			N30-2604-41	PAN HEAD MACHINE SCREW		
R1			RK73FB2A101J	CHIP R 100 J 1/10W		
R2			RK73FB2A223J	CHIP R 22K J 1/10W		
R3			RK73FB2A103J	CHIP R 10K J 1/10W		
R4			RK73FB2A102J	CHIP R 1.0K J 1/10W		
R5			RK73FB2A101J	CHIP R 100 J 1/10W		
R6 ,7			RK73FB2A473J	CHIP R 47K J 1/10W		
R8			RK73FB2A101J	CHIP R 100 J 1/10W		
R9			RK73FB2A821J	CHIP R 820 J 1/10W		
R10 ,11			RK73FB2A101J	CHIP R 100 J 1/10W		
R12			RK73FB2A472J	CHIP R 4.7K J 1/10W		
R13			RK73FB2A103J	CHIP R 10K J 1/10W		
R14			RK73FB2A471J	CHIP R 470 J 1/10W		
R15 ,16			RK73FB2A103J	CHIP R 10K J 1/10W		
R17			RK73FB2A471J	CHIP R 470 J 1/10W		
R18			RK73FB2A153J	CHIP R 15K J 1/10W		
R19			RK73FB2A103J	CHIP R 10K J 1/10W		
R20			RK73FB2A561J	CHIP R 560 J 1/10W		
R23			RK73FB2A272J	CHIP R 2.7K J 1/10W		
R24 ,25			RK73FB2A273J	CHIP R 27K J 1/10W		
R26			RK73FB2A103J	CHIP R 10K J 1/10W		
R27			RK73FB2A471J	CHIP R 470 J 1/10W		
R28			RK73FB2A220J	CHIP R 22 J 1/10W		
R29 -31			RK73FB2A223J	CHIP R 22K J 1/10W		
R32			RK73FB2A223J	CHIP R 22K J 1/10W	690S	
R33			RK73FB2A101J	CHIP R 100 J 1/10W		
R34			RK73FB2A105J	CHIP R 1.0M J 1/10W		
R35			RK73FB2A104J	CHIP R 100K J 1/10W		
R36			RK73FB2A473J	CHIP R 47K J 1/10W		
R37 ,38			RK73FB2A101J	CHIP R 100 J 1/10W		
R39			RK73FB2A105J	CHIP R 1.0M J 1/10W		
R40			RK73FB2A104J	CHIP R 100K J 1/10W		
R41			RK73FB2A473J	CHIP R 47K J 1/10W		
R42 ,43			RK73FB2A101J	CHIP R 100 J 1/10W		
R44			RK73FB2A105J	CHIP R 1.0M J 1/10W		
R45			RK73FB2A104J	CHIP R 100K J 1/10W		

L:Scandinavia

K:USA

P:Canada

TS-450S : K,X,P,E,E2,M,M2

Y:PX(Far East, Hawaii)

T:England


E:Europe

TS-690S : K,X,P,E,E2,M

Y:AAFES(Europe)

X:Australia

M:Other Areas

 indicates safety critical components.

TS-450S/690S

PARTS LIST

× New Parts

Parts without Parts No. are not supplied.

Les articles non mentionnes dans le Parts No. ne sont pas fournis.

Teile ohne Parts No. werden nicht geliefert.

PLL UNIT (X50-3150-XX)

Ref. No. 参照番号	Address 位置	New Parts 新	Parts No. 部品番号	Description 部品名 / 規格	Desti- nation 仕向	Re- marks 備考
R46			RK73FB2A473J	CHIP R 47K J 1/10W		
R47			RK73FB2A101J	CHIP R 100 J 1/10W		
R48			RK73FB2A101J	CHIP R 100 J 1/10W	690S	
R49			RK73FB2A105J	CHIP R 1.0M J 1/10W	690S	
R50			RK73FB2A104J	CHIP R 100K J 1/10W	690S	
R51			RK73FB2A473J	CHIP R 47K J 1/10W	690S	
R52			RK73FB2A101J	CHIP R 100 J 1/10W	690S	
R53			RK73FB2A470J	CHIP R 47 J 1/10W		
R54			RK73FB2A392J	CHIP R 3.9K J 1/10W		
R55			RK73FB2A103J	CHIP R 10K J 1/10W		
R56			RK73FB2A471J	CHIP R 470 J 1/10W		
R57			RK73FB2A561J	CHIP R 560 J 1/10W		
R58			RK73FB2A101J	CHIP R 100 J 1/10W		
R59			RK73FB2A472J	CHIP R 4.7K J 1/10W		
R60			RK73FB2A103J	CHIP R 10K J 1/10W		
R61			RK73FB2A220J	CHIP R 22 J 1/10W		
R62			RK73FB2A331J	CHIP R 330 J 1/10W		
R63			RK73FB2A470J	CHIP R 47 J 1/10W		
R64			RK73FB2A561J	CHIP R 560 J 1/10W		
R65			RK73FB2A101J	CHIP R 100 J 1/10W		
R66 ,67			RK73FB2A103J	CHIP R 10K J 1/10W		
R68			RK73FB2A220J	CHIP R 22 J 1/10W		
R69			RK73FB2A471J	CHIP R 470 J 1/10W		
R70			RK73FB2A101J	CHIP R 100 J 1/10W		
R71			RK73FB2A681J	CHIP R 680 J 1/10W		
R72			RK73FB2A470J	CHIP R 47 J 1/10W		
R73 ,74			RK73FB2A472J	CHIP R 4.7K J 1/10W		
R75			RK73FB2A331J	CHIP R 330 J 1/10W		
R76			RK73FB2A102J	CHIP R 1.0K J 1/10W		
R77			RK73FB2A682J	CHIP R 6.8K J 1/10W		
R78			RK73FB2A103J	CHIP R 10K J 1/10W		
R79			RK73FB2A331J	CHIP R 330 J 1/10W		
R80			RK73FB2A223J	CHIP R 22K J 1/10W		
R81			RK73FB2A273J	CHIP R 27K J 1/10W		
R82 ,83			RK73FB2A102J	CHIP R 1.0K J 1/10W		
R84			RK73FB2A334J	CHIP R 330K J 1/10W		
R85			RK73FB2A182J	CHIP R 1.8K J 1/10W		
R86			RK73FB2A102J	CHIP R 1.0K J 1/10W		
R87			RK73FB2A101J	CHIP R 100 J 1/10W		
R88			RK73FB2A682J	CHIP R 6.8K J 1/10W		
R89			RK73FB2A102J	CHIP R 1.0K J 1/10W		
R90			RK73FB2A331J	CHIP R 330 J 1/10W		
R91			RK73FB2A220J	CHIP R 22 J 1/10W		
R92			RK73FB2A223J	CHIP R 22K J 1/10W		
R93			RK73FB2A562J	CHIP R 5.6K J 1/10W		
R94			RK73FB2A682J	CHIP R 6.8K J 1/10W		
R95			RK73FB2A684J	CHIP R 680K J 1/10W		
R96			RK73FB2A182J	CHIP R 1.8K J 1/10W		
R97			RK73FB2A103J	CHIP R 10K J 1/10W		
R98			RK73FB2A104J	CHIP R 100K J 1/10W		
R99 ,100			RK73FB2A472J	CHIP R 4.7K J 1/10W		
R101-104			RK73FB2A221J	CHIP R 220 J 1/10W		
R105			RK73FB2A181J	CHIP R 180 J 1/10W	690S	
R106			RK73FB2A221J	CHIP R 220 J 1/10W		
R107			RK73FB2A472J	CHIP R 4.7K J 1/10W	690S	

L:Scandinavia

K:USA

P:Canada

TS-450S : K,X,P,E,E2,M,M2

Y:PX(Far East, Hawaii)

T:England

E:Europe

TS-690S : K,X,P,E,E2,M

Y:AAFES(Europe)

X:Australia

M:Other Areas

 indicates safety critical components.

TS-450S/690S

PARTS LIST

* New Parts

Parts without Parts No. are not supplied.

Les articles non mentionnes dans le Parts No. ne sont pas fournis.

Teile ohne Parts No. werden nicht geliefert.

PLL UNIT (X50-3150-XX)

CAR UNIT (X50-3160-00)

Ref. No. 参照番号	Address 位置	New Parts 新	Parts No. 部品番号	Description 部品名 / 規格	Desti- nation 仕向	Re- marks 備考
R108,109			RK73FB2A102J	CHIP R 1.0K J 1/10W	690S	
R110			RK73FB2A331J	CHIP R 330 J 1/10W	690S	
R111			RK73FB2A101J	CHIP R 100 J 1/10W	690S	
R112			RK73FB2A331J	CHIP R 330 J 1/10W	690S	
R113			RK73FB2A471J	CHIP R 470 J 1/10W	690S	
R114			RK73FB2A220J	CHIP R 22 J 1/10W		
R115,116			RK73FB2A103J	CHIP R 10K J 1/10W		
R117,118			R92-0679-05	CHIP R 0 OHM	450S	
R119			RK73FB2A101J	CHIP R 100 J 1/10W		
W4 ,5			R92-1061-05	JUMPER REST 0 OHM		
D1			1SV166	DIODE		
D2			RLS135	DIODE		
D3			1SV166	DIODE		
D4			RLS135	DIODE		
D5			1SV166	DIODE		
D6			RLS135	DIODE		
D7			1SV166	DIODE	690S	
D8			RLS135	DIODE	690S	
D9			DAN202K	DIODE		
D10			1SV166	DIODE		
D11 -14			RLS135	DIODE	690S	
IC1 ,2			UPD74HC390G	IC		
IC3			SN16913P	IC(DUBLE BALANCED MIXERS)		
IC4			SN76514N	IC(MIXER)		
IC5 ,6			CXD1225M	IC(PLL SYNTHESIZER)		
IC7		*	TA78L08F	IC		
Q1 ,2			2SC2714(Y)	TRANSISTOR		
Q3 -5			2SC2712(Y)	TRANSISTOR		
Q6 -8			DTC114EK	DIGITAL TRANSISTOR	690S	
Q7			DTC114EK	DIGITAL TRANSISTOR		
Q10 -12			2SK210(GR)	FET	690S	
Q13			2SK210(GR)	FET		
Q14			2SC2714(Y)	TRANSISTOR		
Q15			2SC2996(Y)	TRANSISTOR		
Q16 -18			2SC2714(Y)	TRANSISTOR		
Q19 -21			2SC3324(G)	TRANSISTOR		
Q22			DTC114TK	DIGITAL TRANSISTOR		
Q23			2SC2996(Y)	TRANSISTOR		
Q24 -26			2SC3324(G)	TRANSISTOR		
Q27			DTC114EK	DIGITAL TRANSISTOR	690S	
Q28 -30			DTA143EK	DIGITAL TRANSISTOR		
Q31			2SC2714(Y)	TRANSISTOR		
-			X50-3390-03	SUB UNIT(VCO2)		
CAR UNIT (X50-3160-00)						
C1			CE04EW1A470M	ELECTRO 47UF 10WV		
C2 -4			CK73FB1E103K	CHIP C 0.01UF K		
C5			CE04EW1A470M	ELECTRO 47UF 10WV		
C6			CK73FB1H271K	CHIP C 270PF K		
C7			CC73FCH1H390J	CHIP C 39PF J		
C8 ,9			CK73FB1E103K	CHIP C 0.01UF K		
C10			CK73EB1E104K	CHIP C 0.10UF K		
C11			CK73FB1E103K	CHIP C 0.01UF K		
C12			CE04EW1A470M	ELECTRO 47UF 10WV		
C13			CK73FF1E104Z	CHIP C 0.1UF Z		

L:Scandinavia

K:USA

P:Canada

TS-450S : K,X,P,E,E2,M,M2

Y:PX(Far East, Hawaii)

T:England

E:Europe

TS-690S : K,X,P,E,E2,M

Y:AAFES(Europe)

X:Australia

M:Other Areas

△ indicates safety critical components.

TS-450S/690S

PARTS LIST

× New Parts

Parts without Parts No. are not supplied.

Les articles non mentionnés dans le Parts No. ne sont pas fournis.

Teile ohne Parts No. werden nicht geliefert.

CAR UNIT (X50-3160-00)

Ref. No. 参照番号	Address 位置	New Parts 新	Parts No. 部品番号	Description 部品名 / 規格	Desti- nation 仕向	Re- marks 備考
C14			CK73FB1H331K	CHIP C 330PF K		
C15			CK73FB1H471K	CHIP C 470PF K		
C16			CK73FB1H331K	CHIP C 330PF K		
C17			CK73FF1E104Z	CHIP C 0.1UF Z		
C18			CK73FB1E103K	CHIP C 0.01UF K		
C19			CE04EW1A470M	ELECTRO 47UF 10WV		
C20			CK73FB1E103K	CHIP C 0.01UF K		
C21			CE04EW1A470M	ELECTRO 47UF 10WV		
C22 ,23			CK73FB1E103K	CHIP C 0.01UF K		
C24			CE04EW1A470M	ELECTRO 47UF 10WV		
C25			CK73FB1H271K	CHIP C 270PF K		
C28			CK73FF1E104Z	CHIP C 0.1UF Z		
C29			CK73FB1H681K	CHIP C 680PF K		
C30			CK73FB1H122K	CHIP C 1200PF K		
C31			CK73FB1H681K	CHIP C 680PF K		
C32			CK73FB1H102K	CHIP C 1000PF K		
C33			CK73FB1E103K	CHIP C 0.01UF K		
C34			CE04EW1A470M	ELECTRO 47UF 10WV		
C35			CC73FCH1H150J	CHIP C 15PF J		
C36			CC73FCH1H100D	CHIP C 10PF D		
C37 -43			CK73FB1E103K	CHIP C 0.01UF K		
C44			CK73FB1H331K	CHIP C 330PF K		
C45			CC73FCH1H060D	CHIP C 6PF D		
C46			CK73FB1H471K	CHIP C 470PF K		
C47			CC73FCH1H060D	CHIP C 6PF D		
C48			CK73FB1H331K	CHIP C 330PF K		
C49 -50			CK73FB1E103K	CHIP C 0.01UF K		
C51 ,52			CK73FB1H102K	CHIP C 1000PF K		
C53			CC73FRH1H270J	CHIP C 27PF J		
C54			CC73FCH1H0R5C	CHIP C 0.5PF C		
C55			CC73FRH1H270J	CHIP C 27PF J		
C56			CK73FB1H102K	CHIP C 1000PF K		
C57 -60			CK73FB1E103K	CHIP C 0.01UF K		
C61			CK73FB1H102K	CHIP C 1000PF K		
C62			CC73FCH1H220J	CHIP C 22PF J		
C63			CC73FCH1H0R5C	CHIP C 0.5PF C		
C64			CC73FCH1H050C	CHIP C 5PF C		
C65			CC73FCH1H0R5C	CHIP C 0.5PF C		
C66			CC73FCH1H220J	CHIP C 22PF J		
C67 -69			CK73FB1H102K	CHIP C 1000PF K		
C70 ,71			CK73FF1E104Z	CHIP C 0.1UF Z		
C76 -81			CC73FSL1H101J	CHIP C 100PF J		
C82			CK73FB1E103K	CHIP C 0.01UF K		
C83			CC73FUJ1H100D	CHIP C 10PF D		
C84			CK73FB1H471K	CHIP C 470PF K		
C85			CC73FCH1H330J	CHIP C 33PF J		
C86 ,87			CK73FB1E103K	CHIP C 0.01UF K		
C88			CC73FCH1H010C	CHIP C 1PF C		
C89			CC73FCH1H030C	CHIP C 3PF C		
TC1			C05-G030-15	TRIM CAP 20PF		
CN1			E40-3239-05	PIN CONNECTOR		
CN2			E04-0159-05	RF COAXIAL CABLE RECEPTACLE		
CN3			E40-3237-05	PIN CONNECTOR		
CN4			E04-0159-05	RF COAXIAL CABLE RECEPTACLE		
CN5			E40-3239-05	PIN CONNECTOR		

L:Scandinavia

K:USA

P:Canada

Y:PX(Far East, Hawaii)

T:England

E:Europe

Y:AAFES(Europe)

X:Australia

M:Other Areas

TS-450S : K,X,P,E,E2,M,M2

TS-690S : K,X,P,E,E2,M

PARTS LIST

× New Parts

Parts without Parts No. are not supplied.

Les articles non mentionnés dans le Parts No. ne sont pas fournis.

Teile ohne Parts No. werden nicht geliefert.

CAR UNIT (X50-3160-00)

Ref. No. 参照番号	Address 位置	New Parts 新	Parts No. 部品番号	Description 部品名 / 規格	Desti- nation 仕 向	Re- marks 備考
CN6			E40-3238-05	PIN CONNECTOR		
CN7			E40-5347-05	PIN CONNECTOR		
L1 ,2		*	L40-4701-17	SMALL FIXED INDUCTOR		
L3 ,4			L40-8201-17	SMALL FIXED INDUCTOR		
L5			L40-4701-13	SMALL FIXED INDUCTOR		
L6 ,7			L40-4701-17	SMALL FIXED INDUCTOR		
L8 ,9			L40-2201-17	SMALL FIXED INDUCTOR		
L10			L40-4701-17	SMALL FIXED INDUCTOR		
L11			L40-1592-17	SMALL FIXED INDUCTOR		
L12			L40-6801-17	SMALL FIXED INDUCTOR		
L13			L40-1292-17	SMALL FIXED INDUCTOR		
L14			L40-6801-17	SMALL FIXED INDUCTOR		
L15			L40-1592-17	SMALL FIXED INDUCTOR		
L16 -18			L34-4222-05	COIL		
L19			L34-4003-05	COIL		
L20			L34-4222-05	COIL		
L21			L32-0201-05	OSCILLATING COIL		
X1			L77-1302-05	CRYSTAL RESONATOR(8.375MHZ)		
CP1 -4			R90-0721-05	MULTI-COMP		
R1			RK73FB2A560J	CHIP R 56 J 1/10W		
R2			RK73FB2A101J	CHIP R 100 J 1/10W		
R3			RK73FB2A102J	CHIP R 1.0K J 1/10W		
R4			RK73FB2A184J	CHIP R 180K J 1/10W		
R5			RK73FB2A103J	CHIP R 10K J 1/10W		
R6			RK73FB2A331J	CHIP R 330 J 1/10W		
R7			RK73FB2A470J	CHIP R 47 J 1/10W		
R8			RK73FB2A102J	CHIP R 1.0K J 1/10W		
R9			RK73FB2A681J	CHIP R 680 J 1/10W		
R10			RK73FB2A103J	CHIP R 10K J 1/10W		
R11			RK73FB2A821J	CHIP R 820 J 1/10W		
R12			RK73FB2A470J	CHIP R 47 J 1/10W		
R13			RK73FB2A331J	CHIP R 330 J 1/10W		
R14			RK73FB2A470J	CHIP R 47 J 1/10W		
R15			RK73FB2A223J	CHIP R 22K J 1/10W		
R16 ,17			R92-0670-05	CHIP R 0 OHM		
R21			RK73FB2A470J	CHIP R 47 J 1/10W		
R22 ,23			RK73FB2A103J	CHIP R 10K J 1/10W		
R24			RK73FB2A821J	CHIP R 820 J 1/10W		
R25 ,26			RK73FB2A470J	CHIP R 47 J 1/10W		
R27			RK73FB2A103J	CHIP R 10K J 1/10W		
R28			RK73FB2A682J	CHIP R 6.8K J 1/10W		
R29			RK73FB2A221J	CHIP R 220 J 1/10W		
R30			RK73FB2A470J	CHIP R 47 J 1/10W		
R32			RK73FB2A470J	CHIP R 47 J 1/10W		
R33			RK73FB2A472J	CHIP R 4.7K J 1/10W		
R34			RK73FB2A103J	CHIP R 10K J 1/10W		
R35			RK73FB2A220J	CHIP R 22 J 1/10W		
R36			RK73FB2A471J	CHIP R 470 J 1/10W		
R37 -42			RK73FB2A221J	CHIP R 220 J 1/10W		
R43			RK73FB2A470J	CHIP R 47 J 1/10W		
R44			RK73FB2A333J	CHIP R 33K J 1/10W		
R45			RK73FB2A682J	CHIP R 6.8K J 1/10W		
R46			RK73FB2A102J	CHIP R 1.0K J 1/10W		

L:Scandinavia

K:USA

P:Canada

TS-450S : K,X,P,E,E2,M,M2

Y:PX(Far East, Hawaii)

T:England

E:Europe

TS-690S : K,X,P,E,E2,M

Y:AAFES(Europe)

X:Australia

M:Other Areas

⚠ indicates safety critical components.

TS-450S/690S

PARTS LIST

× New Parts

Parts without Parts No. are not supplied.

Les articles non mentionnés dans le Parts No. ne sont pas fournis.

Teile ohne Parts No. werden nicht geliefert.

CAR UNIT (X50-3160-00)

FILTER UNIT (X51-3110-XX)

Ref. No. 参照番号	Address 位置	New Parts 新	Parts No. 部品番号	Description 部品名 / 規格	Desti- nation 仕 向	Re- marks 備考
R47			RK73FB2A470J	CHIP R 47 J 1/10W		
R48			RK73FB2A393J	CHIP R 39K J 1/10W		
R49			RK73FB2A331J	CHIP R 330 J 1/10W		
R50			RK73FB2A150J	CHIP R 15 J 1/10W		
D1			RLS73	DIODE		
IC1 ,2			YM6631	IC(DOS)		
IC3			TC7S04F	IC(2CH NAND GATE)		
IC4 ,5			SN16913P	IC(DUBLE BALANCED MIXERS)		
Q1 -5			2SC2712(Y)	TRANSISTOR		
Q6 ,7			2SC2714(Y)	TRANSISTOR		
Q8 ,9			2SC2712(Y)	TRANSISTOR		
FILTER UNIT (X51-3110-XX) -DD : TS-690S (K,X,P,E,E2) -01 : TS-450S (K,X,P,E,E2) -21 : TS-690S (M) -22 : TS-450S (M,M2)						
C1 -3			CK73FB1H103K	CHIP C 0.010UF K		
C4			CK73FB1H103K	CHIP C 0.010UF K	MM2	
C5 -7			CK73FB1H103K	CHIP C 0.010UF K		
C8			CK73FB1H103K	CHIP C 0.010UF K	690S	
C9			CC45CH2H030C	CERAMIC 3PF C		
C10			CK45F1H103Z	CERAMIC 0.010UF Z		
C11			CC73FSL1H101J	CHIP C 100PF J		
C12			CC73FSL1H560J	CHIP C 56PF J		
C13			CK45F1H103Z	CERAMIC 0.010UF Z		
C14			CK73FB1H103K	CHIP C 0.010UF K		
C15			CK73FB1H103K	CHIP C 0.010UF K	690S	
C16 -18			CK73FB1H103K	CHIP C 0.010UF K		
C19			CE04EW1E470M	ELECTRO 47UF 25WV		
C20 -24			CK73FB1H103K	CHIP C 0.010UF K		
C25			CE04EW1E470M	ELECTRO 47UF 25WV		
C26 -30			CK73FB1H103K	CHIP C 0.010UF K		
C31 -33			CK73FB1H103K	CHIP C 0.010UF K		
C34			CC45SL2H390J	CERAMIC 39PF J		
C35			CK73FB1H103K	CHIP C 0.010UF K		
C101			CM93D2H102J	MICA 1000PF J		
C102			CC45SL2H271J	CERAMIC 270PF J		
C103			CC45SL2H331J	CERAMIC 330PF J		
C104,105			CM93D2H102J	MICA 1000PF J		
C106			CC45SL2H181J	CERAMIC 180PF J		
C107			CM93D2H222J	MICA 2200PF J		
C108,109			CC45SL2H181J	CERAMIC 180PF J		
C110			CM93D2H102J	MICA 1000PF J		
C111			CM93D2H561J	MICA 560PF J		
C112-115			CC45SL2H431J	CERAMIC 430PF J		
C116			CC45SL2H271J	CERAMIC 270PF J		
C117,118			CC45SL2H431J	CERAMIC 430PF J		
C119			CC45SL2H181J	CERAMIC 180PF J		
C120			CC45SL2H331J	CERAMIC 330PF J		
C121			CC45SL2H820J	CERAMIC 82PF J		
C122			CC45SL2H221J	CERAMIC 220PF J		
C123			CC45SL2H270J	CERAMIC 27PF J		
C124			CC45SL2H121J	CERAMIC 120PF J		
C125			CC45SL2H151J	CERAMIC 150PF J		
C126			CC45SL2H471J	CERAMIC 470PF J		
C127			CC45SL2H470J	CERAMIC 47PF J		
C128			CC45SL2H331J	CERAMIC 330PF J		
C129,130			CC45SL2H101J	CERAMIC 100PF J	MM2	

L:Scandinavia

K:USA

P:Canada

TS-450S : K,X,P,E,E2,M,M2

Y:PX(Far East, Hawaii)

T:England


E:Europe

TS-690S : K,X,P,E,E2,M

Y:AAFES(Europe)

X:Australia

M:Other Areas

 indicates safety critical components.

PARTS LIST

× New Parts

Parts without Parts No. are not supplied.

Les articles non mentionnés dans le Parts No. ne sont pas fournis.

Teile ohne Parts No. werden nicht geliefert.

FILTER UNIT (X51-3110-XX)

Ref. No. 参照番号	Address 位置	New Parts 新	Parts No. 部品番号	Description 部品名 / 規格	Desti- nation 仕向	Re- marks 備考
C132			CC45SL2H471J	CERAMIC 470PF J	MM2	
C133			CC45SL2H560J	CERAMIC 56PF J	MM2	
C134			CC45SL2H221J	CERAMIC 220PF J	MM2	
C135, 136			CC45SL2H121J	CERAMIC 120PF J		
C137			CC45SL2H271J	CERAMIC 270PF J		
C138			CC45SL2H470J	CERAMIC 47PF J		
C139			CC45SL2H151J	CERAMIC 150PF J		
C140			CC45SL2H560J	CERAMIC 56PF J		
C141			CC45SL2H680J	CERAMIC 68PF J		
C142			CC45SL2H181J	CERAMIC 180PF J		
C143			CC45SL2H470J	CERAMIC 47PF J		
C144			CC45SL2H101J	CERAMIC 100PF J		
C145			CC45SL2H180J	CERAMIC 18PF J		
C146		*	CC45SL2H430J	CERAMIC 43PF J		
C147			CC45SL2H151J	CERAMIC 150PF J		
C148			CC45SL2H120J	CERAMIC 12PF J		
C149		*	CC45SL2H510J	CERAMIC 51PF J		
C150			CC45SL2H100D	CERAMIC 10PF D	690S	
C153			CC45SL2H390J	CERAMIC 39PF J	690S	
C154			CC45SL2H180J	CERAMIC 18PF J	690S	
C156			CC45SL2H560J	CERAMIC 56PF J	690S	
C158			CC45SL2H120J	CERAMIC 12PF J	690S	
C159, 160		*	CC45SL2H510J	CERAMIC 51PF J		
TC1			C05-0030-15	TRIM CAP 20PF		
CN1			E04-0159-05	RF COAXIAL CABLE RECEPTACLE	690S	
CN2			E04-0159-05	RF COAXIAL CABLE RECEPTACLE		
CN3, 4			E04-0159-05	RF COAXIAL CABLE RECEPTACLE		
CN5			E40-3237-05	PIN CONNECTOR (2P)		
CN6			E40-3242-05	PIN CONNECTOR (7P)		
CN7			E40-3237-05	PIN CONNECTOR (2P)		
CN8			E40-3239-05	PIN CONNECTOR (4P)		
CN9			E40-3242-05	PIN CONNECTOR (7P)		
F1		*	F06-4029-05	FUSE 4A		
A1, 2		*	J13-0075-05	FUSE HOLDER		
L1, 2			L40-1021-14	SMALL FIXED INDUCTOR		
L3, -5			L40-1011-14	SMALL FIXED INDUCTOR		
L6			L40-1011-14	SMALL FIXED INDUCTOR	MM2	
L7, -9			L40-1011-14	SMALL FIXED INDUCTOR		
L10			L40-1011-14	SMALL FIXED INDUCTOR	690S	
L11			L40-1011-14	SMALL FIXED INDUCTOR	690S	
L12			L40-1011-14	SMALL FIXED INDUCTOR		
L101		*	L39-1202-05	COIL (3.3UH)		
L102, 103		*	L39-1203-05	COIL (4.4UH)		
L104		*	L39-1204-05	COIL (1.24UH)		
L105		*	L39-1205-05	COIL (1.54UH)		
L106		*	L39-1206-05	COIL (1.74UH)		
L107		*	L39-1207-05	COIL (0.96UH)		
L108		*	L39-1204-05	COIL (1.24UH)		
L109		*	L39-1208-05	COIL (0.68UH)	MM2	
L110		*	L39-1207-05	COIL (0.96UH)	MM2	
L111			L34-1278-05	COIL (8.5T)		
L112			L34-1277-05	COIL (9.5T)		
L113			L34-1261-05	COIL (5.5T)		

L:Scandinavia

K:USA

P:Canada

Y:PX(Far East, Hawaii)

T:England

E:Europe

Y:AAFES(Europe)

X:Australia

M:Other Areas

TS-450S : K,X,P,E,E2,M,M2

TS-690S : K,X,P,E,E2,M

△ indicates safety critical components.

TS-450S/690S

PARTS LIST

× New Parts

Parts without Parts No. are not supplied

Les articles non mentionnés dans le Parts No. ne sont pas fournis.

Teile ohne Parts No. werden nicht geliefert.

FILTER UNIT (X51-3110-XX)

Ref. No. 参照番号	Address 位置	New Parts 新	Parts No. 部品番号	Description 部品名/規格	Desti- nation 仕向	Re- marks 備考
L114			L34-1280-05	COIL (6.5T)		
L115			L34-1282-05	COIL (4.5T)		
L116			L34-1281-05	COIL (5.5T)		
L117-119		*	L34-1359-05	COIL (3.5T)	690S	
L120		*	L34-1360-05	COIL (4.5T)		
L121			L39-0480-05	TOROIDAL COIL (DETECTOR)		
T101-108			L92-0107-05	TOROIDAL CORE		
T109			L92-0108-05	TOROIDAL CORE	MM2	
T110			L92-0107-05	TOROIDAL CORE	MM2	
CP1			R90-0227-05	MULTI-COMP 4.7KX6 J 1/6W		
R1			RK73FB2A100J	CHIP R 10 J 1/10W		
R2 -5			RK73FB2A330J	CHIP R 33 2 A		
R6 -9			RK73FB2A270J	CHIP R 27 J 1/10W		
R16 -18			RK73FB2A472J	CHIP R 4.7K J 1/10W		
R19			RK73FB2A271J	CHIP R 270 J 1/10W		
R20 -23			RK73FB2A472J	CHIP R 4.7K J 1/10W		
R24 ,25			RK73FB2A104J	CHIP R 100K J 1/10W		
R26 ,27			RK73FB2A104J	CHIP R 100K J 1/10W	690S	
R100			R92-0670-05	CHIP R 0 OHM		
R101			R92-0679-05	CHIP R 0 OHM	MM2	
R102			R92-0670-05	CHIP R 0 OHM	KXPE	
VR1		*	R12-6730-05	TRIMMING POT. (220)		
K1 -3			S51-1420-05	RELAY		
K4			S51-1420-05	RELAY	MM2	
K5 -10			S51-1420-05	RELAY		
K11			S51-1420-05	RELAY	MM2	
K12 -14			S51-1420-05	RELAY		
K15			S51-1429-05	RELAY		
K16 ,17			S51-1420-05	RELAY (50F)	690S	
S1			S31-2416-05	SWITCH (ANT HF/50M)	690S	
D1 -3			LF801	DIODE		
D4			LF801	DIODE	MM2	
D5 -7			LF801	DIODE		
D8			LF801	DIODE	690S	
D9 ,10			1SS101	DIODE		
D11			DSA301LA	DIODE		
D12			DSA301LA	DIODE	690S	
D13			LF801	DIODE		
D14			LF801	DIODE	690S	
D15			RLZJ5.1B	DIODE		
D16			DAP202(K)	DIODE		
D17 ,18			RLS73	DIODE	KXPE	
IC1			SN74LS145N	IC(BCD TO DECIMAL DECODER/DRIV		
IC2			MS4581P	IC(TRANSISTOR ARRAY)		
Q1 ,2			DTB143EK	DIGITAL TRANSISTOR		
W1			R92-1061-05	JUMPER REST 0 OHM		
W2			R92-1061-05	JUMPER REST 0 OHM	690S	
W3 ,4		*	E33-1948-05	FINISHED WIRE SET(1P,4P AT300		
W5			R92-1061-05	JUMPER REST 0 OHM		
W7			R92-1061-05	JUMPER REST 0 OHM		
W8			R92-1061-05	JUMPER REST 0 OHM	690S	
W33			E31-1449-05	CONNECTING WIRE		

L:Scandinavia

K:USA

P:Canada

Y:PX(Far East, Hawaii)

T:England

E:Europe

Y:AAFES(Europe)

X:Australia

M:Other Areas

TS-450S : K,X,P,E,E2,M,M2

TS-690S : K,X,P,E,E2,M

△ indicates safety critical components.

PARTS LIST

* New Parts

Parts without Parts No. are not supplied.

Les articles non mentionnés dans le Parts No. ne sont pas fournis.

Teile ohne Parts No. werden nicht geliefert.

AT UNIT (X53-3370-00)

Ref. No. 参照番号	Address 位置	New Parts 新	Parts No. 部品番号	Description 部品名 / 規格	Desti- nation 仕向	Re- marks 備考
AT UNIT/AT-450 (X53-3370-00)						
C1			CM93D2H560J	MICA 56PF J		
C2 -8			CK73FB1E103K	CHIP C 0.01UF K		
C9 ,10			CK73FB1H102K	CHIP C 1000PF K		
C11			CK73FB1E103K	CHIP C 0.01UF K		
C12			CE04EW1A470M	ELECTRØ 47UF 10WV		
C13 -19			CK73FB1E103K	CHIP C 0.01UF K		
C20			CE04EW1E101M	ELECTRØ 100UF 25WV		
C21 -33			CK73FB1E103K	CHIP C 0.01UF K		
C34			CK73FB1H103K	CHIP C 0.010UF K		
C35			CK73FB1E103K	CHIP C 0.01UF K		
C101-106			CK73FB1H103K	CHIP C 0.010UF K		
TC1			C05-0031-15	TRIM CAP 10PF		
VC101,102		*	C02-0024-05	VARIABLE CAPACITØR		
A5		*	D40-0638-05	GEAR ASSY		
-			E37-0192-05	FLAT CABLE		
CN1 ,2			E04-0157-05	RF COAXIAL CABLE RECEPTACLE		
CN3			E40-5349-05	FLAT CABLE (16P)		
CN4			E40-3243-05	PIN CONNECTØR (8P)		
A1		*	F10-1498-02	SHIELDING PLATE		
A2		*	F10-1499-04	SHIELDING PLATE		
A3		*	F10-1500-03	SHIELDING PLATE		
A4		*	F10-2001-03	SHIELDING PLATE		
-			G02-0717-04	SPRING		
L1			L39-0496-05	CØIL		
L2		*	L39-0415-25	CØIL		
L3 -8			L40-1011-13	SMALL FIXED INDUCTØR		
L9 -11			L40-1011-17	SMALL FIXED INDUCTØR		
L12 -15			L40-1011-14	SMALL FIXED INDUCTØR		
L101-106			L40-1011-14	SMALL FIXED INDUCTØR		
L107		*	L34-1365-05	CØIL		
L108			L34-3145-15	AT CØIL B		
L109			L34-3144-15	AT CØIL A		
T101,102			L92-0119-05	TØLØIDAL CØRE		
-			N87-3006-46	BRAZIER HEAD TAPTITE SCREW		
-			N88-3006-46	FLAT HEAD TAPTITE SCREW		
R1 ,2			RD14CB2E101J	RD 100 J 1/4W		
R3			RK73FB2A102J	CHIP R 1.0K J 1/10W		
R4			RD14CB2E470J	RD 47 J 1/4W		
R5 ,6			RK73FB2A181J	CHIP R 180 J 1/10W		
R7 -10			RK73FB2A103J	CHIP R 10K J 1/10W		
R11			RK73FB2A563J	CHIP R 56K J 1/10W		
R12			RK73FB2A121J	CHIP R 120 J 1/10W		
R13			RK73FB2A101J	CHIP R 100 J 1/10W		
R14			RK73FB2A563J	CHIP R 56K J 1/10W		
R15			RK73FB2A121J	CHIP R 120 J 1/10W		
R16			RK73FB2A101J	CHIP R 100 J 1/10W		
R17			RK73FB2A330J	CHIP R 33 J 1/10W		
R18			RK73FB2A103J	CHIP R 10K J 1/10W		
R19			RK73FB2A330J	CHIP R 33 J 1/10W		
R20 -23			RK73FB2A103J	CHIP R 10K J 1/10W		

L:Scandinavia

M:USA

P:Canada

TS-450S : K,X,P,E,E2,M,M2

TS-690S : K,X,P,E,E2,M

Y:PX(Far East, Hawaii)


T:England

E:Europe

Y:AAFES(Europe)

X:Australia

M:Other Areas

 indicates safety critical components.

TS-450S/690S

PARTS LIST

× New Parts

Parts without Parts No. are not supplied.

Les articles non mentionnés dans le Parts No. ne sont pas fournis.

Teile ohne Parts No. werden nicht geliefert.

AT UNIT (X53-3370-00)

VCO2 (X58-3390-03)

Ref. No. 参照番号	Address 位置	New Parts 新	Parts No. 部品番号	Description 部品名 / 規格	Desti- nation 仕向	Re- marks 備考
R24 ,25			RD14BB2E100J	RD 10 J 1/4W		
R26			RK73FB2A472J	CHIP R 4.7K J 1/10W		
R27 -32			RK73FB2A103J	CHIP R 10K J 1/10W		
R33			RK73FB2A472J	CHIP R 4.7K J 1/10W		
R34 -42			R92-0670-05	CHIP R 0 OHM		
VR101,102			R01-3435-05	TRIM POT. 10K		
K1			S51-2417-05	RELAY		
K101-106			S76-0401-05	RELAY		
M1 ,2			T42-0453-05	MOTOR		
D1 ,2			1N60	DIODE		
D3 -8			1SS226	DIODE		
D9			LFB01	DIODE		
D101-106			LFB01	DIODE		
IC1		*	SN74S74NS	IC		
IC2 ,3			TC4066BF	IC(BILATERAL SWITCH X4)		
IC4 ,5			BA6109U2	IC(MOTOR DRIVER)		
IC6			NJM2903M	IC(COMPARATOR X2)		
Q1 ,2			2SC2714(Y)	TRANSISTOR		
Q3			DTC114EK	DIGITAL TRANSISTOR		
Q4			2SA1204(Y)	TRANSISTOR		
Q5			DTC114EK	DIGITAL TRANSISTOR		
Q6			DTD143EK	DIGITAL TRANSISTOR		
W1		*	E37-0191-05	CONNECTING WIRE		
W2			E31-6038-05	CONNECTING WIRE		
W5 -19			001-0005-05	COATING WIRE		
W101			E31-6038-05	CONNECTING WIRE		
W102			E31-6083-05	CONNECTING WIRE		
W103-106		*	E33-1949-05	FINISHED WIRE SET		
VCO2 (X58-3390-03)						
-			B42-2437-04	LABEL		
C1			CK73FB1H102K	CHIP C 1000PF K		
C2			CC73FSL1H101J	CHIP C 100PF J		
C3			CC73FCH1H070D	CHIP C 7PF D		
C4			CC73FCH1H220J	CHIP C 22PF J		
C5			CC73FCH1H070D	CHIP C 7PF D		
C6			CC73FCH1H180J	CHIP C 18PF J		
C7			CC73FCH1H120J	CHIP C 12PF J		
C8 ,9			CK73FB1H102K	CHIP C 1000PF K		
C10			CC73FCH1H010CMU	CHIP C 1.0PF C		
C11			CK73FB1H102K	CHIP C 1000PF K		
TC1			C05-0331-05	TRIMMING CAP		
TP1 -3			E23-0603-05	TERMINAL		
-			G13-0904-04	CUCHION		
L1			L33-0690-05	CHOKE COIL 3.3UH		
L2			L34-2353-05	COIL		
-			N30-2604-41	PAN HEAD MACHINE SCREW		
R1			RK73FB2A682J	CHIP R 6.8K J 1/10W		
R2			RK73FB2A271J	CHIP R 270 J 1/10W		

L:Scandinavia

K:USA

P:Canada

TS-450S : K,X,P,E,E2,M,M2

Y:PX(Far East, Hawaii)

T:England


E:Europe

TS-690S : K,X,P,E,E2,M

Y:AAFES(Europe)

X:Australia

M:Other Areas

 indicates safety critical components.

TS-450S/690S

PARTS LIST

× New Parts

Parts without Parts No. are not supplied.

Les articles non mentionnés dans le Parts No. ne sont pas fournis.

Teile ohne Parts No. werden nicht geliefert.

VCO2 (X58-3390-03)

SIDE TONE (X59-1060-00)

VOX (X59-1080-00)

FM MIC (X59-3000-03)

NOTCH (X59-3030-00)

Ref. No. 参照番号	Address 位置	New Parts 新	Parts No. 部品番号	Description 部品名 / 規格	Desti- nation 仕 向	Re- marks 備考
R3 R4 ,5 R6 R7			RK73FB2A331J RK73FB2A472J RK73FB2A471J RK73FB2A560J	CHIP R 330 J 1/10W CHIP R 4.7K J 1/10W CHIP R 470 J 1/10W CHIP R 56 J 1/10W		
D1 Q1 Q2			1SV164 2SK508NV(K52) 2SC2714(Y)	DIODE FET TRANSISTOR		
SIDE TONE (X59-1060-00)						
C2 C3 -6 C7 ,8			CK73FB1E473K CK73FB1H123K CK73FB1E473K	CHIP C 0.047UF K CHIP C 0.012UF K CHIP C 0.047UF K		
R1 ,2 R3 R4 R5 R6 R7 ,8 R9 R10 R11 W1 -6			RK73FB2A823J RK73FB2A223J RK73FB2A472J RK73FB2A102J RK73FB2A103J RK73FB2A333J RK73FB2A103J RK73FB2A333J RK73FB2A183J R92-0670-05	CHIP R 82K J 1/10W CHIP R 22K J 1/10W CHIP R 4.7K J 1/10W CHIP R 1.0K J 1/10W CHIP R 10K J 1/10W CHIP R 33K J 1/10W CHIP R 10K J 1/10W CHIP R 33K J 1/10W CHIP R 18K J 1/10W CHIP R 0 OHM		
D1 D2 D3 Q1			DAN202(K) DAP202(K) DAN202(K) 2SC2712(Y)	DIODE DIODE DIODE TRANSISTOR		
VOX (X59-1080-00)						
C1 C2 R1 R2 R3 R4 ,5 R6 ,7 R8 R9 R10 W1 -3 D1 -2 IC1 IC2 Q1			CK73FB1H102K CK73FB1E223K RK73FB2A104J RK73FB2A103J RK73FB2A472J RK73FB2A103J RK73FB2A105J RK73FB2A104J RK73FB2A105J RK73FB2A103J R92-0670-05 DAP202(K) NJM2904M TC4001BF 2SC2712(Y)	CHIP C 1000PF K CHIP C 0.022UF K CHIP R 100K J 1/10W CHIP R 10K J 1/10W CHIP R 4.7K J 1/10W CHIP R 10K J 1/10W CHIP R 1.0M J 1/10W CHIP R 100K J 1/10W CHIP R 1.0M J 1/10W CHIP R 10K J 1/10W CHIP R 0 OHM DIODE IC(OP AMP X2)) IC(NOR X6) TRANSISTOR		
FM MIC (X59-3000-03)						
C1 C2 C3 C4 JR1 R1 -9 IC1 Q1			CC73FCH1H680J CK73FB1H561K CC73FCH1H390J CK73FB1H102K R92-0670-05 RK73FB2AXXXJ NJM455BM 2SC2712(Y)	CHIP C 68PF J CHIP C 560PF K CHIP C 39PF J CHIP C 1000PF K CHIP R 0 OHM CHIP R IC(OP AMP X2)) TRANSISTOR		
NOTCH (X59-3030-00)						
C1 ,2			CK73FB1H682K	CHIP C 6800PF K		

L:Scandinavia

K:USA

P:Canada

Y:PX(Far East, Hawaii)

T:England

E:Europe

Y:AAFES(Europe)

X:Australia

M:Other Areas

TS-450S : K,X,P,E,E2,M,M2

TS-690S : K,X,P,E,E2,M

 indicates safety critical components.

TS-450S/690S

PARTS LIST

✕ New Parts

Parts without Parts No. are not supplied.

Les articles non mentionnés dans le Parts No. ne sont pas fournis.

Teile ohne Parts No. werden nicht geliefert.

NOTCH (X59-3030-00)

NB (X59-3350-00)

FAN (X59-3370-00)

TRX (X59-3680-01)

Ref. No. 参照番号	Address 位置	New Parts 新	Parts No. 部品番号	Description 部品名 / 規格	Desti- nation 向	Re- marks 備考
C3			CK73FB1H271K	CHIP C 270PF K		
R1 -4			RK73FB2A913J	CHIP R 91K J 1/10W		
R5			RK73FB2A681J	CHIP R 680 J 1/10W		
R6			RK73FB2A913J	CHIP R 91K J 1/10W		
R7			RK73FB2A471J	CHIP R 470 J 1/10W		
R8			RK73FB2A913J	CHIP R 91K J 1/10W		
R9			RK73FB2A102J	CHIP R 1.0K J 1/10W		
R10 ,11			RK73FB2A913J	CHIP R 91K J 1/10W		
R12			RK73FB2A102J	CHIP R 1.0K J 1/10W		
R13			RK73FB2A684J	CHIP R 680K J 1/10W		
W1			R92-0670-05	CHIP R 0 ØHM		
IC1			NJM4558M	IC(ØP AMP X2))		
NB (X59-3350-00)						
C1			CK73FB1H103K	CHIP C 0.010UF K		
C2			CK73FB1H102K	CHIP C 1000PF K		
C3			CK73EF1E474Z	CHIP C 0.47UF Z		
R1			RK73FB2A103J	CHIP R 10K J 1/10W		
R2			RK73FB2A563J	CHIP R 56K J 1/10W		
R3			RK73FB2A684J	CHIP R 680K J 1/10W		
R4			RK73FB2A103J	CHIP R 10K J 1/10W		
R5			RK73FB2A184J	CHIP R 180K J 1/10W		
W1 -3			R92-0670-05	CHIP R 0 ØHM		
IC1			TC4011BF	IC(NAND X4)		
Q1 ,2			DTC114EK	DIGITAL TRANSISTOR		
FAN (X59-3370-00)						
C1			CK73FB1H103K	CHIP C 0.010UF K		
R1			RK73FB2A103J	CHIP R 10K J 1/10W		
R2			RK73FB2A223J	CHIP R 22K J 1/10W		
R3			RK73FB2A562J	CHIP R 5.6K J 1/10W		
R4			RK73FB2A681J	CHIP R 680 J 1/10W		
R5			RK73FB2A562J	CHIP R 5.6K J 1/10W		
R6			RK73FB2A332J	CHIP R 3.3K J 1/10W		
R7			RK73FB2A562J	CHIP R 5.6K J 1/10W		
R8			RK73FB2A223J	CHIP R 22K J 1/10W		
R9			RK73FB2A472J	CHIP R 4.7K J 1/10W		
R10			RK73FB2A103J	CHIP R 10K J 1/10W		
W1 ,2			R92-0670-05	CHIP R 0 ØHM		
IC1			NJM2904M	IC(ØP AMP X2))		
Q1			2SC2712(Y)	TRANSISTOR		
TRX (X59-3680-01)						
R151			RK73FB2A471J	CHIP R 470 J 1/10W		
R152			RK73FB2A103J	CHIP R 10K J 1/10W		
R153			RK73FB2A473J	CHIP R 47K J 1/10W		
R154			RK73FB2A103J	CHIP R 10K J 1/10W		
R155			RK73FB2A471J	CHIP R 470 J 1/10W		
R156			RK73FB2A103J	CHIP R 10K J 1/10W		
Q151,152			2SA1213(Y)	TRANSISTOR		
Q153-155			DTC114TK	DIGITAL TRANSISTOR		

L:Scandinavia

K:USA

P:Canada

TS-450S : K,X,P,E,E2,M,M2

TS-690S : K,X,P,E,E2,M

Y:PX(Far East, Hawaii)

T:England

E:Europe

Y:AAFES(Europe)

X:Australia

M:Other Areas

⚠ indicates safety critical components.

PARTS LIST

× New Parts

Parts without Parts No. are not supplied.

Les articles non mentionnés dans le Parts No. ne sont pas fournis.

Telle ohne Parts No. werden nicht geliefert.

DELAY (X59-3860-00)

SELECT (X59-3920-00)

BK-IN (X59-3930-00)

METER (X59-3940-00)

Ref. No. 参照番号	Address 位置	New Parts 新	Parts No. 部品番号	Description 部品名 / 規格	Desti- nation 仕向	Re- marks 備考
DELAY (X59-3860-00)						
C1			CK73FF1E104Z	CHIP C 0.1UF Z		
R1			RK73FB2A472J	CHIP R 4.7K J 1/10W		
R2			RK73FB2A103J	CHIP R 10K J 1/10W		
R3			RK73FB2A101J	CHIP R 100 J 1/10W		
D1 ,2			RLS73	DIODE		
D3			DAN202K	DIODE		
IC1			TC453BBF	IC(ONE SHOT MULT)		
SELECT (X59-3920-00)						
C1 -3			CK73FF1C105Z	CHIP C 1.0UF Z		
R1 ,2			RK73FB2A104J	CHIP R 100K J 1/10W		
R3			RK73FB2A562J	CHIP R 5.6K J 1/10W		
IC1			TC4053BF	IC(3-INPUT 2CH MPX/DE-MPX)		
BK-IN (X59-3930-00)						
C1			CK73FB1E393K	CHIP C 0.039UF K		
C2		*	CK73FB1E683K	CHIP C 0.068UF K		
C3			CK73FB1E683K	CHIP C 0.068UF K		
R1			RK73FB2A154J	CHIP R 150K J 1/10W		
R2			RK73FB2A103J	CHIP R 10K J 1/10W		
R3			RK73FB2A474J	CHIP R 470K J 1/10W		
R4			RK73FB2A103J	CHIP R 10K J 1/10W		
R5 -7			R92-0670-05	CHIP R 0 OHM		
D1 ,2			RLS73	DIODE		
D3			DAN202(K)	DIODE		
IC1			TC4069UBF	IC(INVERTER X6)		
IC2 ,3			TC4S11F	IC(2 INPUT NAND GATE)		
Q1			DTC124EK	DIGITAL TRANSISTOR		
METER (X59-3940-00)						
C1 ,2			CK73FF1E104Z	CHIP C 0.1UF Z		
R1			RK73FB2A103J	CHIP R 10K J 1/10W		
R2			RK73FB2A684J	CHIP R 680K J 1/10W		
R3			RK73FB2A224J	CHIP R 220K J 1/10W		
R4 ,5			RK73FB2A104J	CHIP R 100K J 1/10W		
R6			RK73FB2A102J	CHIP R 1.0K J 1/10W		
R7			RK73FB2A103J	CHIP R 10K J 1/10W		
R8			RK73FB2A224J	CHIP R 220K J 1/10W		
R9			RK73FB2A684J	CHIP R 680K J 1/10W		
R10			RK73FB2A104J	CHIP R 100K J 1/10W		
R11			RK73FB2A224J	CHIP R 220K J 1/10W		
R12			RK73FB2A102J	CHIP R 1.0K J 1/10W		
R13 ,14			R92-0670-05	CHIP R 0 OHM		
D1 ,2			HSM88AS	DIODE		
IC1			NJM2904M	IC(OP AMP X2)		

L:Scandinavia

K:USA

P:Canada

TS-450S : K,X,P,E,E2,M,M2

Y:PX(Far East, Hawaii)

T:England

E:Europe

TS-690S : K,X,P,E,E2,M

Y:AAFES(Europe)

X:Australia

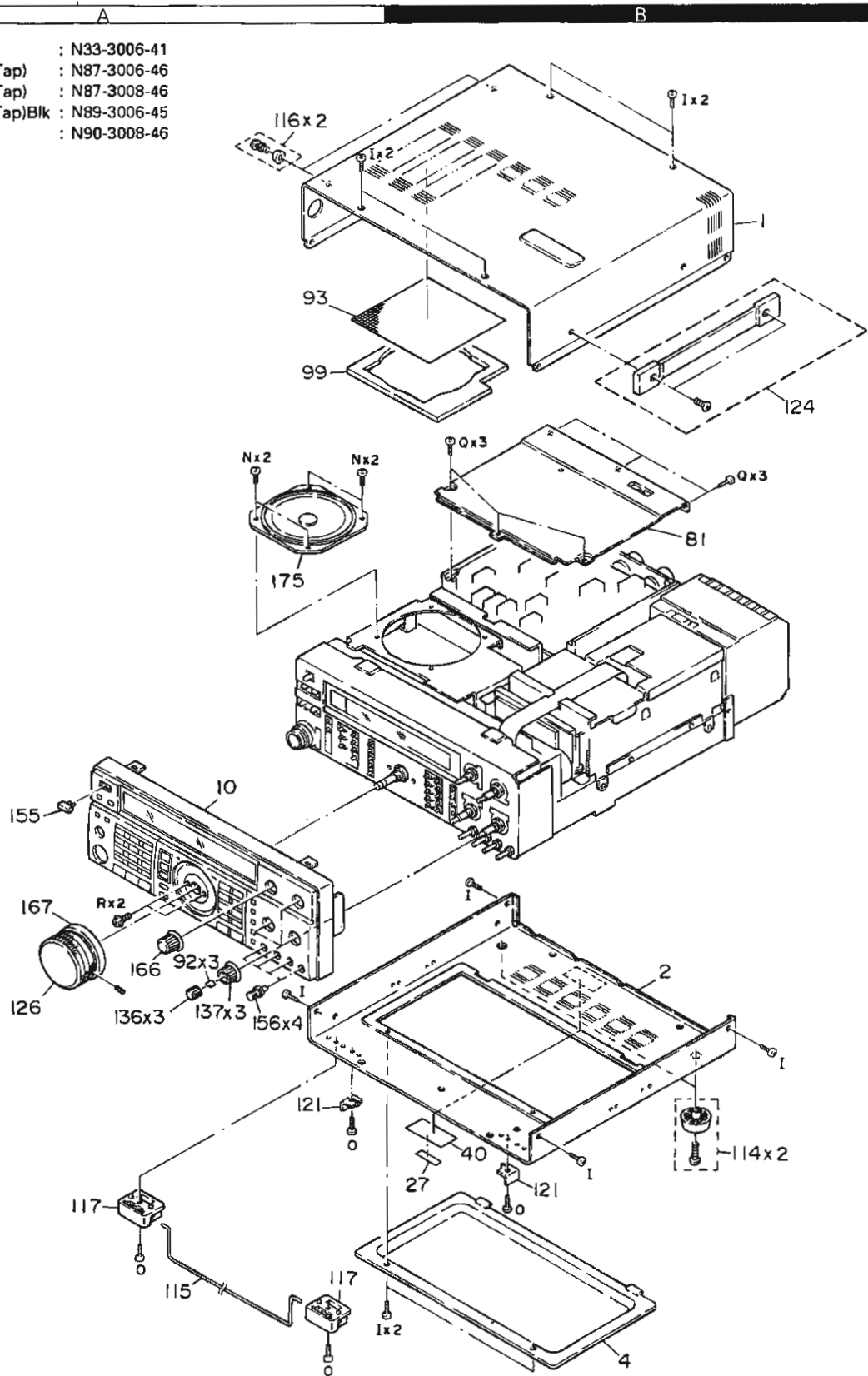
M:Other Areas

△ indicates safety critical components.

TS-450S/690S

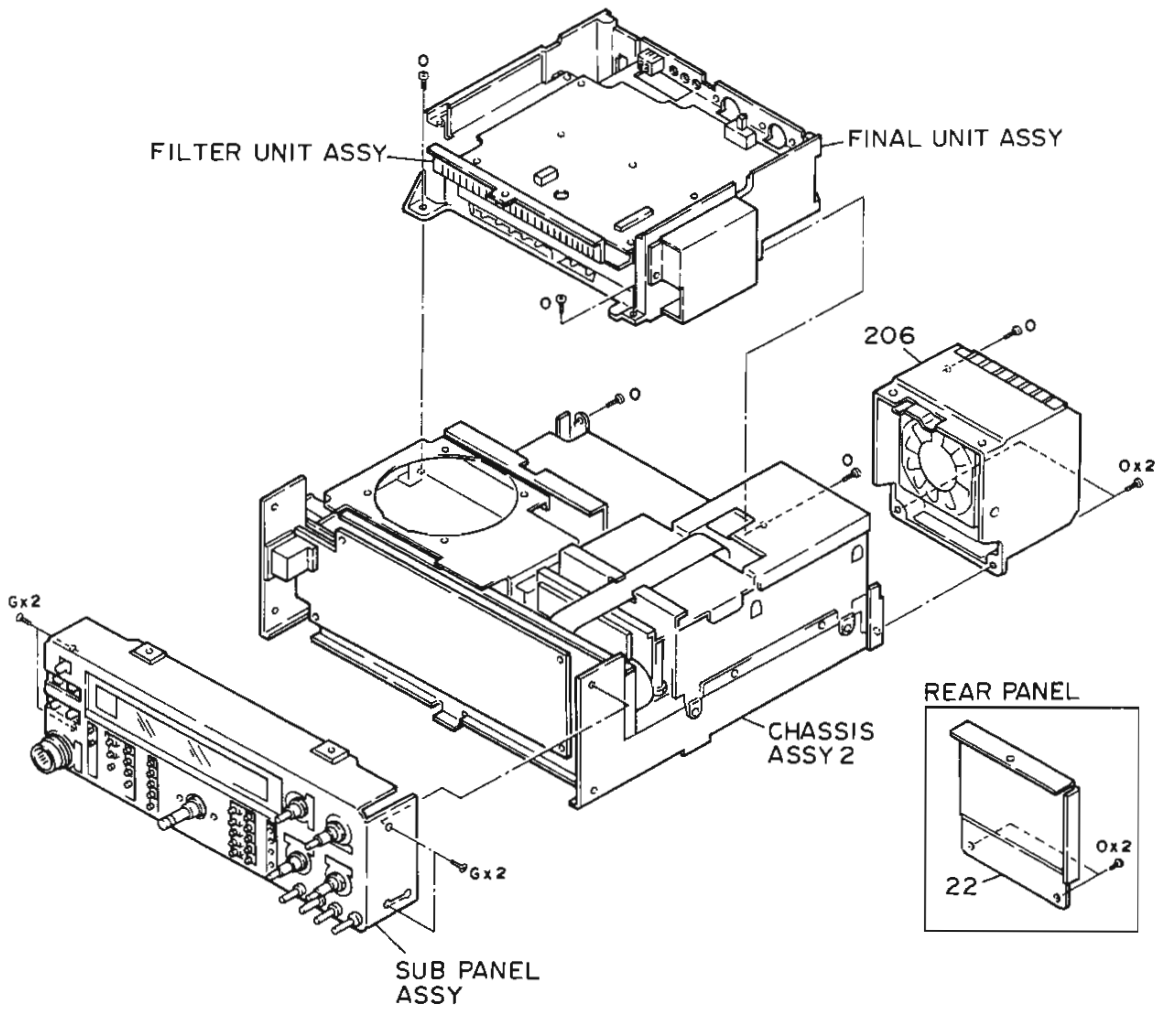
EXPLODED VIEW

- | | | | |
|---|--------------------|---|-------------|
| I | M3 x 6 (OC) | : | N33-3006-41 |
| N | M3 x 6 (Br-Tap) | : | N87-3006-46 |
| O | M3 x 8 (Br-Tap) | : | N87-3008-46 |
| Q | M3 x 6 (Bi-Tap)Blk | : | N89-3006-45 |
| R | M3 x 8 (TP) | : | N90-3008-46 |



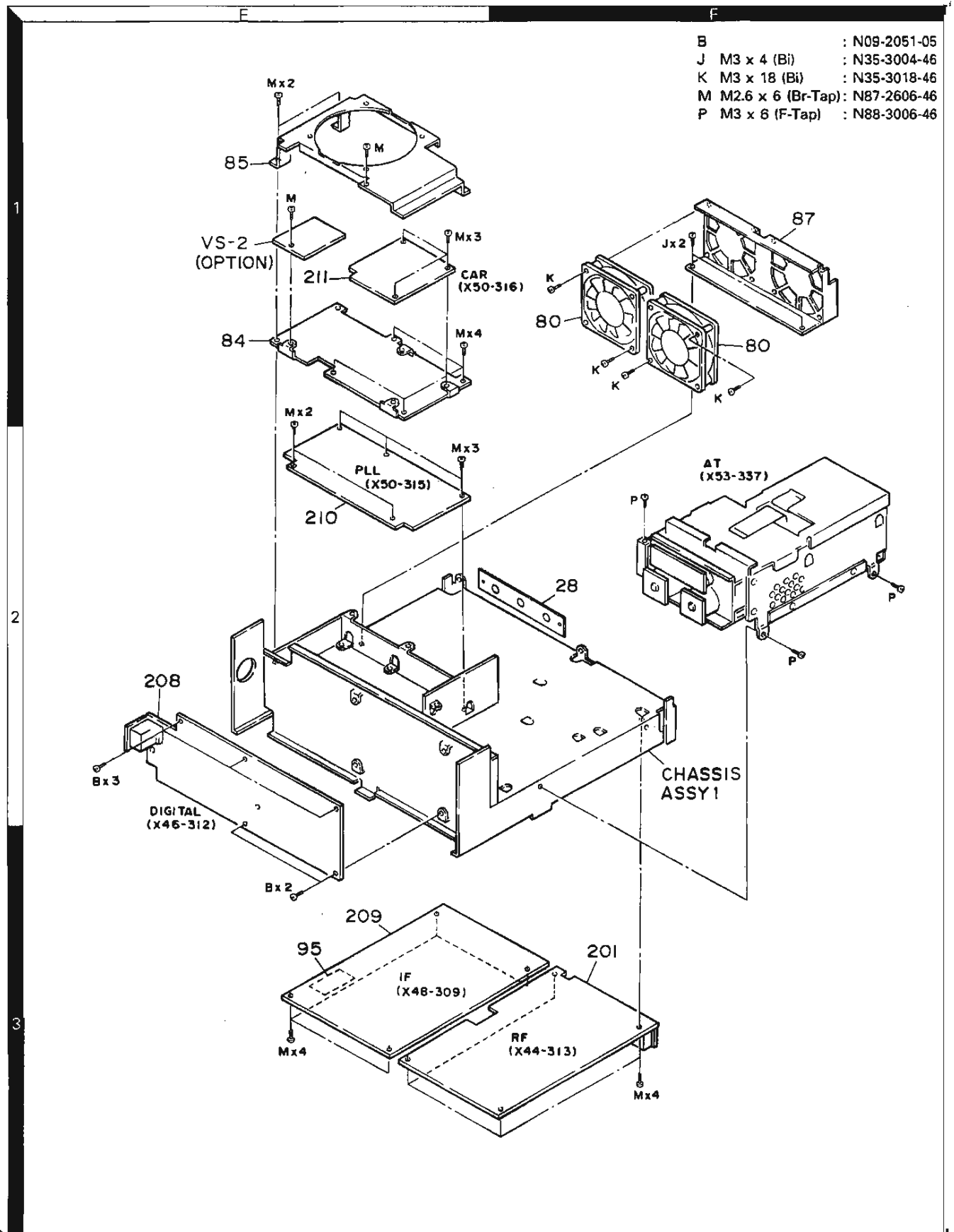
EXPLODED VIEW

G M3 x 5 (F) : N32-3005-46
O M3 x 8 (Br-Tap) : N87-3008-46



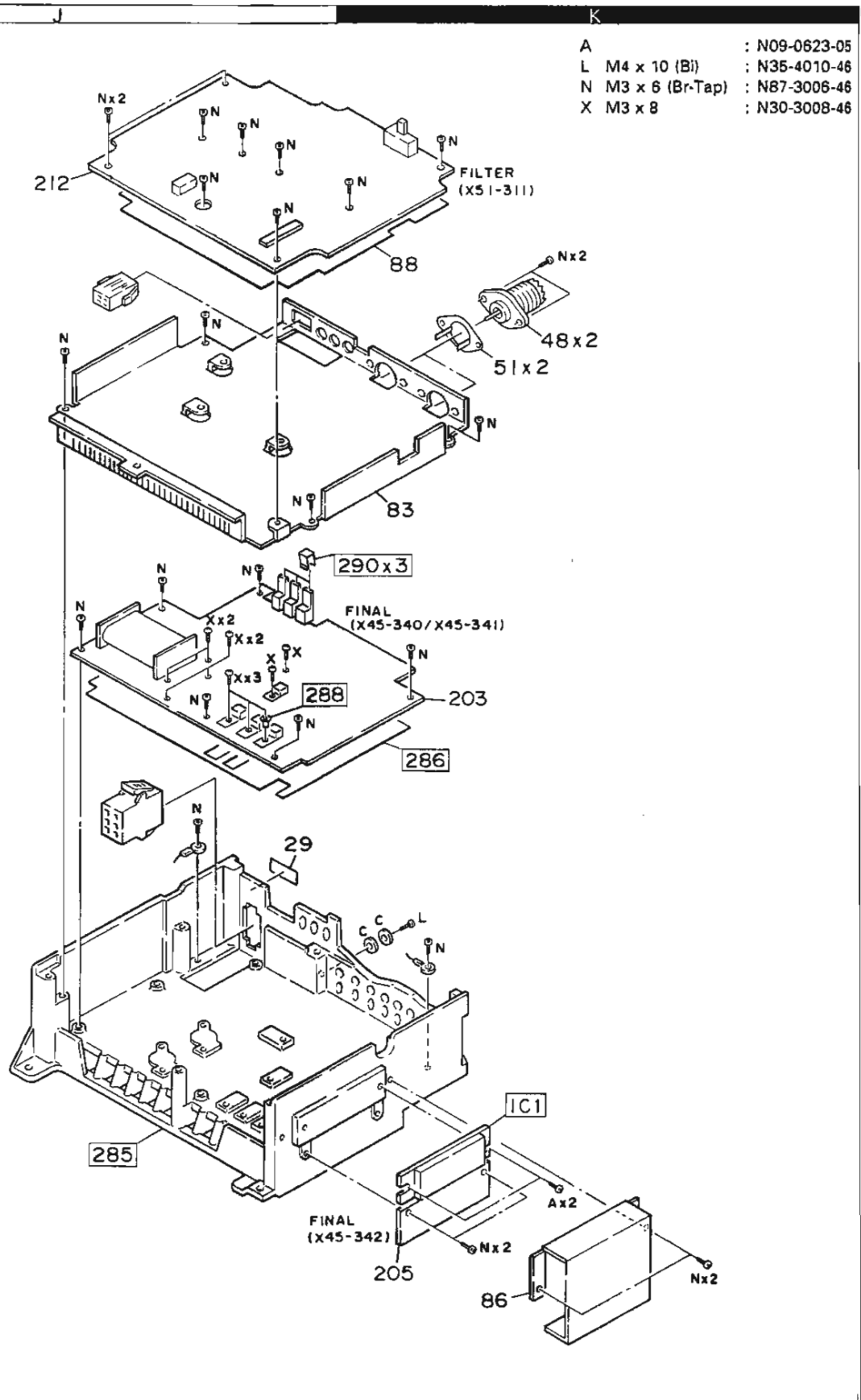
TS-450S/690S

EXPLODED VIEW

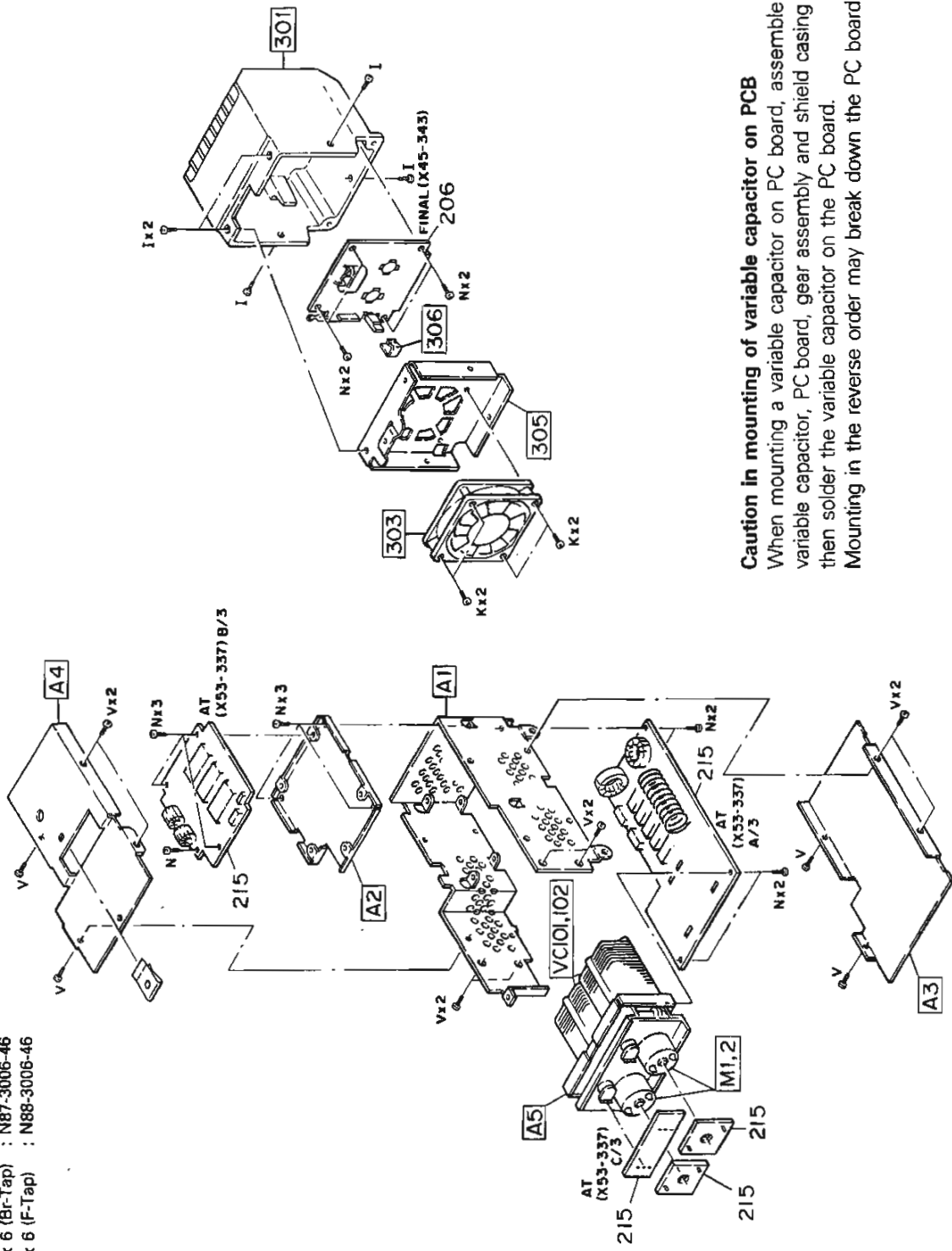


TS-450S/690S

EXPLODED VIEW



EXPLODED VIEW



- I M3 x 6 OC) : N33-3006-41
- K M3 x 18 (Bl) : N35-3018-46
- N M3 x 6 (Br-Tap) : N87-3006-46
- V M3 x 6 (F-Tap) : N88-3006-46

Caution in mounting of variable capacitor on PCB

When mounting a variable capacitor on PCB board, assemble the variable capacitor, PCB board, gear assembly and shield casing and then solder the variable capacitor on the PCB board. Mounting in the reverse order may break down the PCB board.

TS-450S/690S

PACKING

