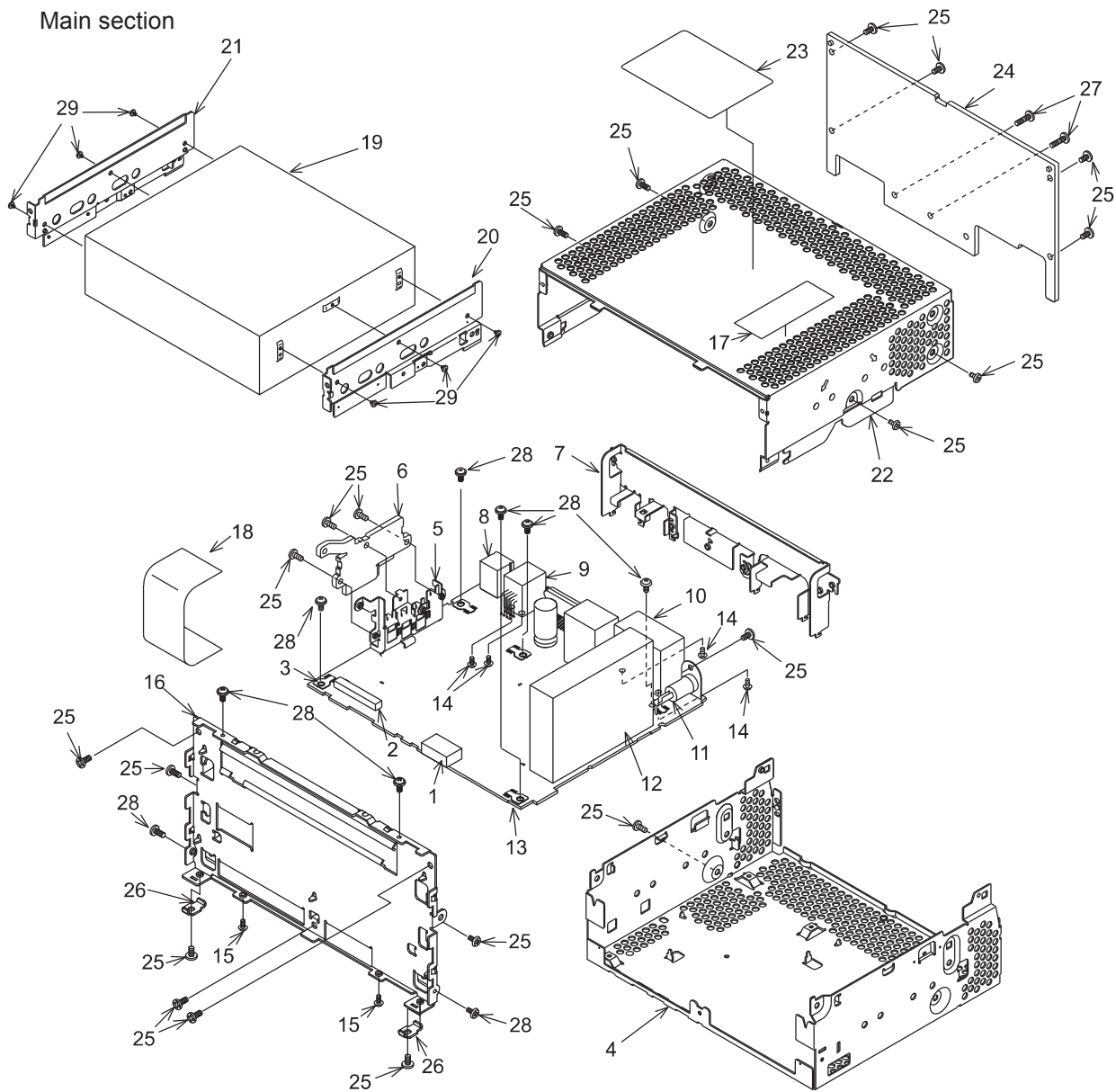


EXPLODED VIEW/PARTS LIST

Main section



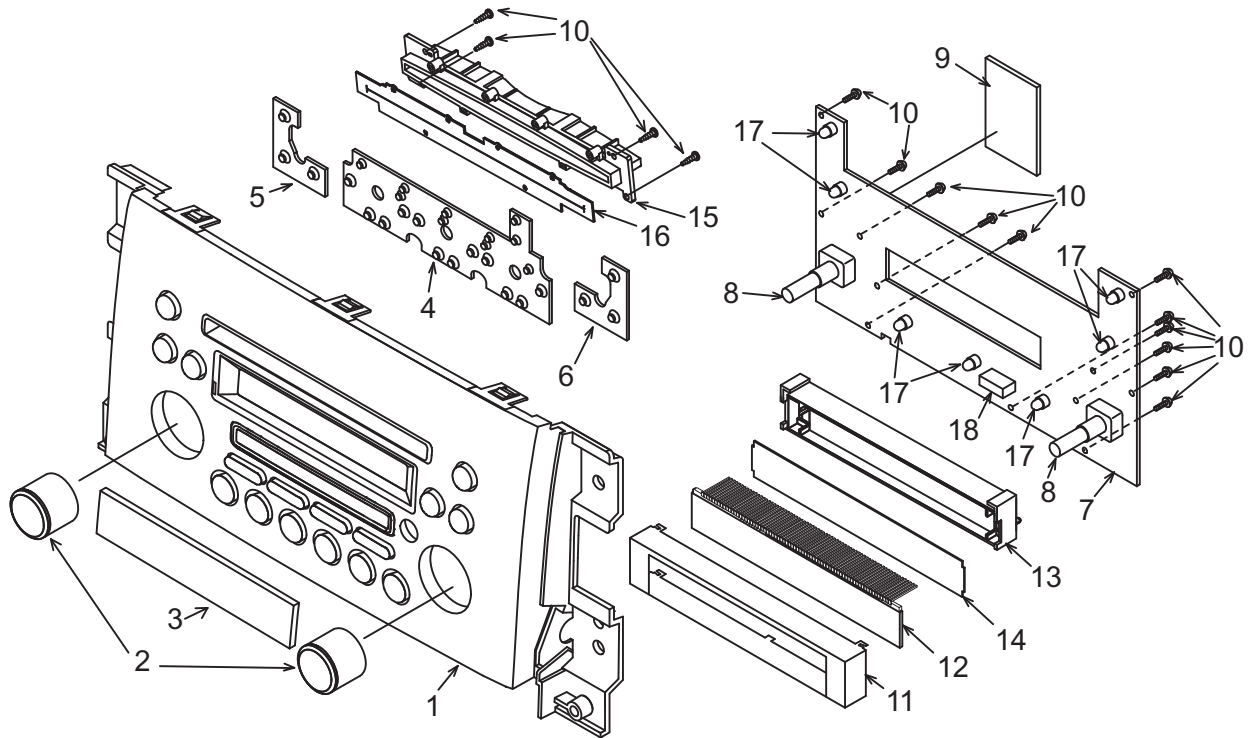
Clamping torque value of a screw is 0.4
+0.08/-0.08 Newton meter.

Note) Several different parts of the same reference number are alternative parts.
One of those parts is used in the set.

NO.	PART NO.	DESCRIPTION	QTY	NO.	PART NO.	DESCRIPTION	QTY
1	076-3011-74	PLUG(24P)	1	16	309-0836-11	ES PLATE	1
2	074-1237-69	OUTLET SOCKET	1	17	285-1960-00	GUIDE LABEL	1
3	073-0762-90	TERMINAL	5	18	816-4024-50	FLAT WIRE	1
4	311-1919-30	LOWER CASE	1	19	929-0371-85	CD-MECH-MODULE	1
5	331-4126-00	TR HOLDER	1	20	331-4091-10	CD BRKT(L)	1
6	313-1966-00	SUB HEAT SINK	1	21	331-4092-10	CD BRKT(R)	1
7	331-4127-00	REAR PLATE	1	22	310-1826-60	UPPER CASE	1
8	074-1194-00	OUTLET SOCKET	1	23	286-6224-40 286-6224-41	SETPLATE(PS3031DA) SETPLATE(PS3031DB)	1 1
9	074-1302-08	OUTLET SOCKET	1	24	313-1962-00	HEAT SINK	1
10	074-4007-20	OUTLET SOCKET	1	25	714-2606-8B	MACHINE SCREW(M2.6x6)	20
11	092-0702-00	ANT-RECEPT	1	26	331-4193-20	SU-PLATE	2
12	941-0221-70	TUNER PACK	1	27	714-2610-89	MACHINE SCREW(M2.6x10)	2
13	-----	Main PWB	1	28	716-0878-50	IT SCREW(M2.6x5)	9
14	778-3006-00	TAP-SCREW(3x6)	4	29	716-3552-50	IT SCREW(M2.3x2.5)	6
15	780-2603-06	IT SCREW(M2.3x3.0)	2				

PS-3031D-A
PS-3031D-B

Escutcheon section



Clamping torque value of a screw is 0.2 +0.04/-0.04 Newton meter.

Note) Several different parts of the same reference number are alternative parts. One of those parts is used in the set.

NO.	PART NO.	DESCRIPTION	Q'TY
1	940-8171-50 940-8171-51	ES-ASSY(PS3031DA)BLACK ES-ASSY(PS3031DB)BROWN	1
2	380-5610-00	KNOB	2
3	373-1047-20	DIAL COVER	1
4	345-5782-01	RUBBER SW (CENTER)	1
5	345-5783-00	RUBBER SW (LEFT)	1
6	345-5784-00	RUBBER SW (RIGHT)	1
7	-----	Switch PWB	1
8	016-0018-17	VR W/SHAFT	2
9	345-6006-00	PROTECTOR	1

NO.	PART NO.	DESCRIPTION	Q'TY
10	716-0778-51	P-TITE SCREW (2x6)	15
11	331-3883-00	LCD COVER	1
12	379-1362-51	INDICATOR (LCD)	1
13	335-7956-00	LCD HOLDER	1
14	335-7929-00	COLOR FILTER	1
15	335-7946-00	DISC GUIDE(6CD)	1
16	346-0182-01	LEATHER SHEET	1
17	017-0420-43	PL LAMP (14V 40mA RED)	7
18	074-3013-74	OUTLETSOCKET	1

ELECTRICAL PARTS LIST

Main PWB section (B1)

REF No.	PART No.	DESCRIPTION	REF No.	PART No.	DESCRIPTION	REF No.	PART No.	DESCRIPTION
ANT101	092-0702-00	ANT-RECEPT	C125	166-1501-50	15pF CH	C276	043-0328-90	0.1uF
BL101	941-0221-70	TUNER PACK	C126	166-1011-50	100pF CH	C301	178-1052-78	1uF
C103	168-2232-55	0.022uF K	C127	166-1011-50	100pF CH	C302	178-1052-78	1uF
C104	188-1073-28	10V 100uF	C128	166-1011-50	100pF CH	C305	178-1052-78	1uF
C105	168-1042-78	16V 0.1uF	C129	166-1011-50	100pF CH	C306	178-1052-78	1uF
C106	168-1042-78	16V 0.1uF	C130	168-2232-55	0.022uF K	C309	168-1232-55	0.012uF K
C107	188-1073-28	10V 100uF	C131	188-4763-38	16V 47uF	C310	168-1232-55	0.012uF K
C108	168-1042-78	16V 0.1uF	C132	166-1811-50	180pF CH	C311	188-2253-68	50V 2.2uF
C109	168-2232-55	0.022uF K	C133	168-1042-78	16V 0.1uF	C312	188-2253-68	50V 2.2uF
C111	168-2232-55	0.022uF K	C160	168-1042-78	16V 0.1uF	C313	188-2253-68	50V 2.2uF
C112	168-4745-79	0.47uF Z	C212	188-4763-38	16V 47uF	C314	188-2253-68	50V 2.2uF
C113	168-8232-78	0.082uF K	C222	168-1042-78	16V 0.1uF	C318	168-1522-55	1500pF K
C114	168-8232-78	0.082uF K	C241	168-2232-55	0.022uF K	C319	168-1522-55	1500pF K
C121	166-1801-50	18pF CH	C243	188-4763-38	16V 47uF	C334	166-4711-50	470pF CH
C122	188-4763-38	16V 47uF	C244	168-1042-78	16V 0.1uF	C335	166-4711-50	470pF CH
C123	168-1022-55	1000pF K	C245	168-1042-78	16V 0.1uF	C346	188-1073-28	10V 100uF
C124	042-1458-90	50V 1uF LN	C274	189-2273-29	10V 220uF	C352	168-1042-78	16V 0.1uF

REF No.	PART No.	DESCRIPTION	REF No.	PART No.	DESCRIPTION	REF No.	PART No.	DESCRIPTION
C353	042-1562-15	10V 220uF	D507	001-4301-25	HZU4.7B1	R103	119-1041-15	1/10W 100k ohm
C354	166-2201-50	22pF CH	D508	001-0466-90	S5688B	R104	119-2221-15	1/10W 2.2k ohm
C355	166-2201-50	22pF CH	D509	001-0504-36	HZS7A1L	R105	119-6811-15	1/10W 680 ohm
C356	166-1007-50	10pF CH	D701	001-0424-31	MA4180	R106	119-2221-15	1/10W 2.2k ohm
C357	166-1007-50	10pF CH	D702	001-0424-31	MA4180	R107	116-1001-15	1/4W 10 ohm
C358	188-1063-38	16V 10uF	D703	001-0424-31	MA4180	R108	119-2231-15	1/10W 22k ohm
C359	188-1063-38	16V 10uF	D711	001-0466-90	S5688B	R109	119-6821-15	1/10W 6.8k ohm
C360	188-1063-38	16V 10uF	D712	001-0466-90	S5688B	R111	166-8201-50	82pF CH
C361	188-1063-38	16V 10uF	D731	001-0466-90	S5688B	R122	119-3321-15	1/10W 3.3k ohm
C391	168-1042-78	16V 0.1uF	D761	001-0504-39	HZS7B2L	R123	119-4721-15	1/10W 4.7k ohm
C392	168-1042-78	16V 0.1uF	D771	001-0347-43	MA40482LTA	R124	119-2221-15	1/10W 2.2k ohm
C393	168-1042-78	16V 0.1uF	D772	001-0347-24	MA4043HTA	R125	119-1021-15	1/10W 1k ohm
C394	168-1042-78	16V 0.1uF	D801	001-0592-00	RM4Z	R127	119-5631-15	1/10W 56k ohm
C395	168-1032-55	0.01uF K	D851	001-4301-68	HZU18B1	R128	119-4731-15	1/10W 47k ohm
C396	163-1053-65	50V 1uF	IC121	051-6212-18	LC72191JM-UC	R130	119-2221-15	1/10W 2.2k ohm
C397	042-1624-00	4700 16V	IC241	051-3367-90	NJU7780U1-33-TE2	R131	119-1031-15	1/10W 10k ohm
C398	163-1063-35	16V 10uF	IC351	051-3034-90	NJM4558V	R132	119-1031-15	1/10W 10k ohm
C399	163-1053-65	50V 1uF	IC391	051-2040-00	TA8276H	R133	119-2221-15	1/10W 2.2k ohm
C400	166-2201-50	22pF CH	IC401	051-5046-90	CL7639V20	R134	119-2221-15	1/10W 2.2k ohm
C401	166-3911-50	390pF CH	IC501	052-3211-21	M30624MGP-E09GP	R135	119-1031-15	1/10W 10k ohm
C402	043-0570-90	16V 2.2uF K	IC502	051-0869-58	NJM2103M	R242	119-4731-15	1/10W 47k ohm
C403	168-5632-78	16V 0.056uF	IC503	051-9400-29	BR93L46F-W	R243	119-1021-15	1/10W 1k ohm
C404	043-0570-90	16V 2.2uF K	IC504	051-6600-58	HA12187FP	R245	119-3331-15	1/10W 33k ohm
C405	188-1063-38	16V 10uF	J241	074-1237-69	19PIN	R246	119-4731-15	1/10W 47k ohm
C406	188-1073-28	10V 100uF	J701	074-1194-00	13PIN	R248	119-1041-15	1/10W 100k ohm
C407	168-1042-78	16V 0.1uF	J721	074-1302-08	8PIN	R250	119-3331-15	1/10W 33k ohm
C408	166-3911-50	390pF CH	J801	074-4007-20	20PIN	R253	119-4731-15	1/10W 47k ohm
C409	043-0570-90	16V 2.2uF K	L101	010-2003-04	30uH	R255	119-3331-15	1/10W 33k ohm
C410	168-5632-78	16V 0.056uF	L102	010-6009-76	22uH J	R256	119-0000-05	1/10W 0 ohm JW
C411	043-0570-90	16V 2.2uF K	L103	010-6009-76	22uH J	R258	119-4731-15	1/10W 47k ohm
C412	168-1042-78	16V 0.1uF	L121	010-6009-76	22uH J	R271	119-4731-15	1/10W 47k ohm
C417	178-4742-78	0.47uF	L501	010-6009-76	22uH J	R273	119-0000-05	1/10W 0 ohm JW
C418	168-4722-55	4700pF K	L502	010-6009-76	22uH J	R301	119-1021-15	1/10W 1k ohm
C419	178-4742-78	0.47uF	L801	010-8026-00	210uH	R302	119-1021-15	1/10W 1k ohm
C420	168-4722-55	4700pF K	P501	076-3011-74	24P PLUG	R305	119-1021-15	1/10W 1k ohm
C421	178-4742-78	0.47uF	P503	076-0717-09	9P	R306	119-1021-15	1/10W 1k ohm
C422	168-4722-55	4700pF K	Q121	191-1197-50	2SB1197K Q,R	R309	119-1031-15	1/10W 10k ohm
C423	178-4742-78	0.47uF	Q122	191-1197-50	2SB1197K Q,R	R310	119-1031-15	1/10W 10k ohm
C424	168-4722-55	4700pF K	Q123	191-1197-50	2SB1197K Q,R	R311	119-5631-15	1/10W 56k ohm
C501	168-1042-78	16V 0.1uF	Q124	192-4155-51	2SC4155A S,T	R312	119-5631-15	1/10W 56k ohm
C502	188-4763-18	6.3V 47uF	Q125	192-4155-51	2SC4155A S,T	R313	119-5631-15	1/10W 56k ohm
C503	168-1032-55	0.01uF K	Q241	125-0034-92	RT1P141M	R314	119-5631-15	1/10W 56k ohm
C504	168-1032-55	0.01uF K	Q242	125-2041-92	RT1N141M	R323	119-0000-05	1/10W 0 ohm JW
C505	168-1032-55	0.01uF K	Q243	193-0601-00	2SD601A	R324	119-0000-05	1/10W 0 ohm JW
C506	168-1042-78	16V 0.1uF	Q244	192-4155-51	2SC4155A S,T	R325	119-0000-05	1/10W 0 ohm JW
C507	188-1053-68	50V 1uF	Q245	125-2041-92	RT1N141M	R326	119-0000-05	1/10W 0 ohm JW
C509	168-1022-55	1000pF K	Q246	125-0034-92	RT1P141M	R351	119-8211-15	1/10W 820 ohm
C510	168-1022-55	1000pF K	Q247	125-2041-92	RT1N141M	R352	119-1021-15	1/10W 1k ohm
C511	168-1042-78	16V 0.1uF	Q248	198-3018-00	2SK3018	R353	032-0140-50	1/10W 10k ohm F
C512	168-1032-55	0.01uF K	Q249	198-3018-00	2SK3018	R354	032-0140-50	1/10W 10k ohm F
C513	189-1073-29	10V 100uF	Q391	125-2041-92	RT1N141M	R355	032-0140-50	1/10W 10k ohm F
C514	168-1042-78	16V 0.1uF	Q392	192-4155-51	2SC4155A S,T	R356	032-0140-50	1/10W 10k ohm F
C515	166-1011-50	100pF CH	Q502	190-2071-00	2SA2071 T100	R357	032-0140-50	1/10W 10k ohm F
C516	188-1063-38	16V 10uF	Q503	192-4155-51	2SC4155A S,T	R358	032-0140-50	1/10W 10k ohm F
C517	042-0559-00	0.1F 5.5V	Q504	192-4155-51	2SC4155A S,T	R359	032-0140-50	1/10W 10k ohm F
C722	168-1042-78	16V 0.1uF	Q505	192-4155-51	2SC4155A S,T	R360	032-0140-50	1/10W 10k ohm F
C731	172-1041-15	0.1uF	Q506	193-2118-50	2SD2118F5 R,S	R391	119-5631-15	1/10W 56k ohm
C732	188-1053-68	50V 1uF	Q701	192-4155-51	2SC4155A S,T	R392	119-1221-15	1/10W 1.2k ohm
C741	043-0328-90	0.1uF	Q711	190-2071-00	2SA2071 T100	R393	119-2221-15	1/10W 2.2k ohm
C744	188-1073-28	10V 100uF	Q712	192-4155-51	2SC4155A S,T	R394	119-2221-15	1/10W 2.2k ohm
C761	188-1063-38	16V 10uF	Q761	192-5810-00	2SC5810 TE12L	R395	119-2221-15	1/10W 2.2k ohm
C762	188-1063-38	16V 10uF	Q762	125-0034-92	RT1P141M	R396	119-2221-15	1/10W 2.2k ohm
C771	188-1073-28	10V 100uF	Q763	125-2041-92	RT1N141M	R397	119-1031-15	1/10W 10k ohm
C772	188-1063-38	16V 10uF	Q771	192-5886-00	2SC5886	R398	119-4731-15	1/10W 47k ohm
C791	188-4756-58	35V 4.7uF	Q773	192-4155-51	2SC4155A S,T	R399	119-4731-15	1/10W 47k ohm
C792	168-1042-78	16V 0.1uF	Q775	192-4155-51	2SC4155A S,T	R400	119-1031-15	1/10W 10k ohm
C811	172-1041-15	0.1uF	Q776	125-0034-92	RT1P141M	R401	119-2731-15	1/10W 27k ohm
C821	188-1063-38	16V 10uF	Q777	125-2041-92	RT1N141M	R402	119-2021-15	1/10W 2k ohm
CCT501	050-0140-54	1/32W 1k ohm x4J	Q791	192-4155-51	2SC4155A S,T	R403	119-2731-15	1/10W 27k ohm
CCT504	050-0140-54	1/32W 1k ohm x4J	Q792	192-4155-51	2SC4155A S,T	R404	119-2021-15	1/10W 2k ohm
CCT505	050-0140-54	1/32W 1k ohm x4J	Q821	190-2071-00	2SA2071 T100	R405	119-0000-05	1/10W 0 ohm JW
D391	001-0580-90	1SS352	Q822	192-4155-51	2SC4155A S,T	R502	119-4721-15	1/10W 4.7k ohm
D505	001-0580-90	1SS352	R101	119-0000-05	1/10W 0 ohm JW	R503	119-4721-15	1/10W 4.7k ohm
D506	001-2403-90	M1F60	R102	119-0000-05	1/10W 0 ohm JW	R504	119-4721-15	1/10W 4.7k ohm

REF No.	PART No.	DESCRIPTION
R510	119-4721-15	1/10W 4.7k ohm
R511	119-4721-15	1/10W 4.7k ohm
R512	119-4721-15	1/10W 4.7k ohm
R513	119-4721-15	1/10W 4.7k ohm
R514	119-1021-15	1/10W 1k ohm
R515	119-1041-15	1/10W 100k ohm
R516	119-1041-15	1/10W 100k ohm
R517	116-1001-15	1/4W 10 ohm
R520	119-4731-15	1/10W 47k ohm
R521	119-4731-15	1/10W 47k ohm
R522	119-4731-15	1/10W 47k ohm
R527	119-4721-15	1/10W 4.7k ohm
R528	032-0140-66	1/10W 220 ohm F
R529	119-1031-15	1/10W 10k ohm
R530	119-1041-15	1/10W 100k ohm
R531	119-1031-15	1/10W 10k ohm
R532	119-4721-15	1/10W 4.7k ohm
R533	119-4721-15	1/10W 4.7k ohm
R534	119-1021-15	1/10W 1k ohm
R535	119-1031-15	1/10W 10k ohm
R536	119-2221-15	1/10W 2.2k ohm
R537	119-1031-15	1/10W 10k ohm
R538	119-1031-15	1/10W 10k ohm
R539	119-1031-15	1/10W 10k ohm
R540	119-4731-15	1/10W 47k ohm
R541	119-5621-15	1/10W 5.6k ohm
R542	119-2231-15	1/10W 22k ohm
R544	119-4731-15	1/10W 47k ohm
R545	119-6831-15	1/10W 68k ohm
R546	119-1021-15	1/10W 1k ohm
R547	119-1021-15	1/10W 1k ohm
R548	119-1031-15	1/10W 10k ohm
R549	119-3341-15	1/10W 330k ohm
R550	032-0140-22	1/10W 68k ohm F
R551	032-0140-00	1/10W 56k ohm F

REF No.	PART No.	DESCRIPTION
R552	117-6821-15	1/8W 6.8k ohm
R553	119-4731-15	1/10W 47k ohm
R554	119-4731-15	1/10W 47k ohm
R555	119-5621-15	1/10W 5.6k ohm
R556	119-1021-15	1/10W 1k ohm
R557	119-4731-15	1/10W 47k ohm
R558	119-1031-15	1/10W 10k ohm
R559	119-1021-15	1/10W 1k ohm
R560	119-1021-15	1/10W 1k ohm
R561	119-1021-15	1/10W 1k ohm
R562	119-1021-15	1/10W 1k ohm
R563	119-0000-05	1/10W 0 ohm JW
R564	119-1021-15	1/10W 1k ohm
R566	119-1021-15	1/10W 1k ohm
R568	119-4731-15	1/10W 47k ohm
R570	119-4731-15	1/10W 47k ohm
R572	119-4731-15	1/10W 47k ohm
R573	119-4731-15	1/10W 47k ohm
R576	119-0000-05	1/10W 0 ohm JW
R701	116-1211-15	1/4W 120 ohm
R702	116-6801-15	1/4W 68 ohm
R703	119-2231-15	1/10W 22k ohm
R704	119-2231-15	1/10W 22k ohm
R711	116-2221-15	1/4W 2.2k ohm
R712	117-1031-15	1/8W 10k ohm
R713	116-2221-15	1/4W 2.2k ohm
R714	119-1031-15	1/10W 10k ohm
R715	119-3321-15	1/10W 3.3k ohm
R726	119-1021-15	1/10W 1k ohm
R731	116-5621-15	1/4W 5.6k ohm
R732	116-4721-15	1/4W 4.7k ohm
R761	032-0092-56	1/8W 22k ohm F
R762	119-1541-15	1/10W 150k ohm
R763	032-0092-51	1/8W 1k ohm F
R764	119-1221-15	1/10W 1.2k ohm

REF No.	PART No.	DESCRIPTION
R772	119-2231-15	1/10W 22k ohm
R773	116-1021-15	1/4W 1k ohm
R774	119-2231-15	1/10W 22k ohm
R779	116-1821-15	1/4W 1.8k ohm
R780	117-1821-15	1/8W 1.8k ohm
R781	119-0000-05	1/10W 0 ohm JW
R791	119-0000-05	1/10W 0 ohm JW
R792	116-4721-15	1/4W 4.7k ohm
R794	119-1831-15	1/10W 18k ohm
R795	119-4721-15	1/10W 4.7k ohm
R796	116-5611-15	1/4W 560 ohm
R801	119-0000-05	1/10W 0 ohm JW
R802	119-0000-05	1/10W 0 ohm JW
R821	116-4721-15	1/4W 4.7k ohm
R822	119-3321-15	1/10W 3.3k ohm
R823	119-1031-15	1/10W 10k ohm
R824	116-2221-15	1/4W 2.2k ohm
R825	116-2221-15	1/4W 2.2k ohm
R826	119-8221-15	1/10W 8.2k ohm
R901	119-0000-05	1/10W 0 ohm JW
R902	119-0000-05	1/10W 0 ohm JW
R904	119-0000-05	1/10W 0 ohm JW
SUP101	060-0122-20	DSP-141N-S00B
TH711	002-0318-21	THERMISTOR
TM101	073-0762-90	TERMINAL
TM501	073-0762-90	TERMINAL
TM502	073-0762-90	TERMINAL
TM801	073-0762-90	TERMINAL
TM802	073-0762-90	TERMINAL
X121	061-1066-00	CRYSTAL 7.2MHZ
X501	060-1533-90	CSTCE10MOG52-RO
PWB	039-3099-00	PWB(WITHOUT COMPONENT)

Switch PWB section (B2)

Note) Several different parts of the same reference number are alternative parts. One of those parts is used in the set.

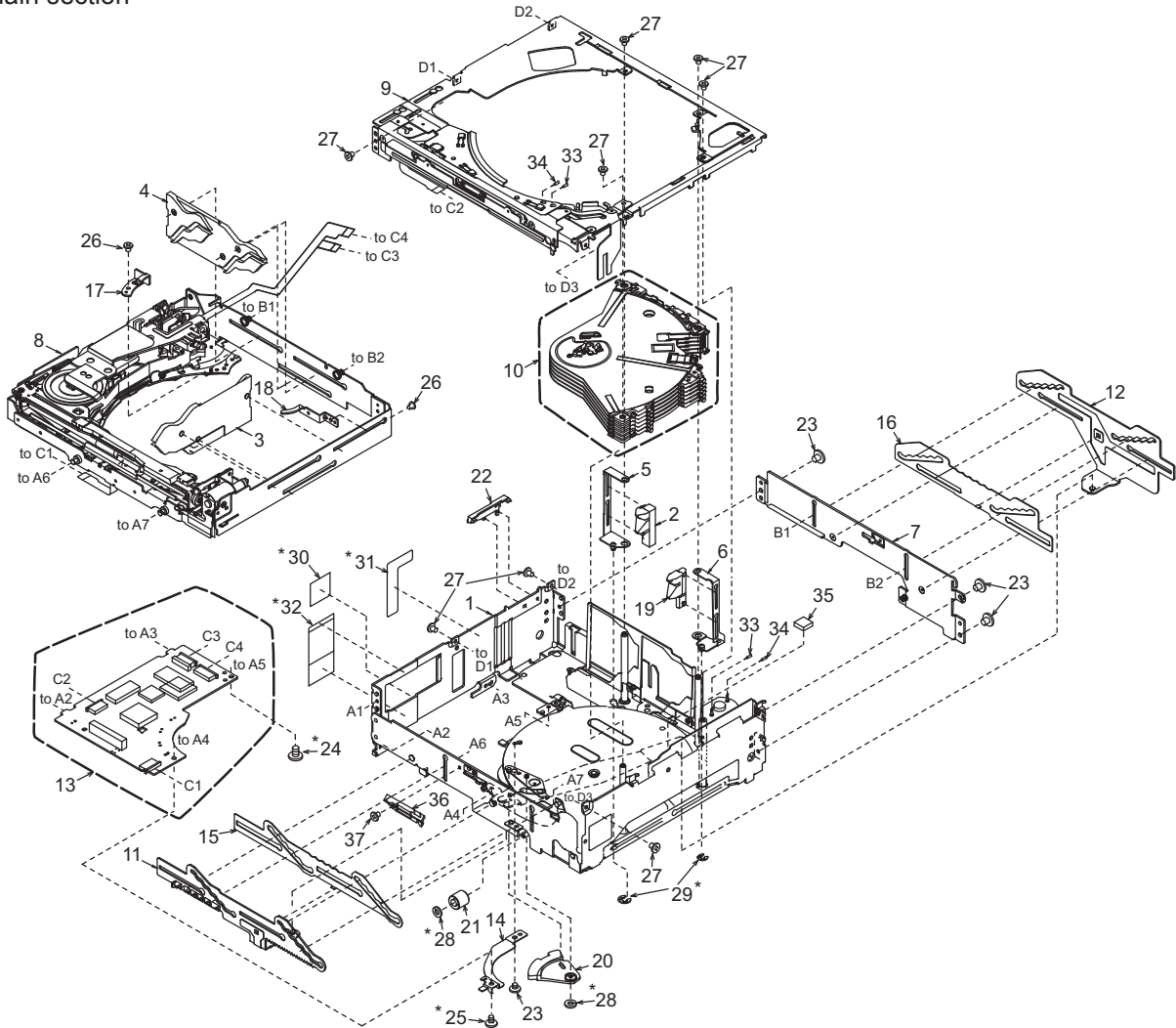
REF No.	PART No.	DESCRIPTION
C901	168-1042-78	16V 0.1uF
C902	168-1042-78	16V 0.1uF
C903	168-1042-78	16V 0.1uF
C904	168-1042-78	16V 0.1uF
C905	168-1042-78	16V 0.1uF
C906	178-1052-78	1uF
D901	001-0580-90	1SS352
D902	001-0580-90	1SS352
D903	001-0580-90	1SS352
D904	001-0580-90	1SS352
D905	001-7048-91	RFR1112H-22 C,D RED
D906	001-7048-91	RFR1112H-22 C,D RED
D907	001-7048-91	RFR1112H-22 C,D RED
D908	001-7048-91	RFR1112H-22 C,D RED
D909	001-7048-91	RFR1112H-22 C,D RED
D910	001-7048-91	RFR1112H-22 C,D RED
D911	001-7048-91	RFR1112H-22 C,D RED
D912	001-7048-91	RFR1112H-22 C,D RED

REF No.	PART No.	DESCRIPTION
D913	001-7087-90	RBR1112H C,D,E RED
IC901	051-6084-00	NJU6625FG1-03
J901	074-3013-74	24P
L901	010-3406-66	22uH J
LCD901	379-1362-51	INDICATOR(LCD)
PL901	017-0420-43	14V 40mA RED
PL902	017-0420-43	14V 40mA RED
PL903	017-0420-43	14V 40mA RED
PL904	017-0420-43	14V 40mA RED
PL905	017-0420-43	14V 40mA RED
PL907	017-0420-43	14V 40mA RED
PL908	017-0420-43	14V 40mA RED
R901	119-0000-05	1/10W 0 ohm JW
R902	119-0000-05	1/10W 0 ohm JW
R907	119-0000-05	1/10W 0 ohm JW
R908	119-0000-05	1/10W 0 ohm JW
R909	119-0000-05	1/10W 0 ohm JW
R910	119-0000-05	1/10W 0 ohm JW
R914	119-0000-05	1/10W 0 ohm JW
R917	119-0000-05	1/10W 0 ohm JW
R918	119-4341-15	1/10W 430k ohm
R919	119-1021-15	1/10W 1k ohm
R920	119-1021-15	1/10W 1k ohm
R921	119-1841-15	1/10W 180k ohm
R922	119-1841-15	1/10W 180k ohm

REF No.	PART No.	DESCRIPTION
R923	119-1841-15	1/10W 180k ohm
R924	119-1841-15	1/10W 180k ohm
R925	119-4711-15	1/10W 470 ohm
R926	119-4711-15	1/10W 470 ohm
R927	119-5611-15	1/10W 560 ohm
R928	119-4711-15	1/10W 470 ohm
R929	119-4711-15	1/10W 470 ohm
R930	119-5611-15	1/10W 560 ohm
R931	119-4711-15	1/10W 470 ohm
R932	119-4711-15	1/10W 470 ohm
R933	119-5611-15	1/10W 560 ohm
R934	119-4711-15	1/10W 470 ohm
R935	119-4711-15	1/10W 470 ohm
R936	119-5611-15	1/10W 560 ohm
R937	119-7511-15	1/10W 750 ohm
R938	119-8211-15	1/10W 820 ohm
R939	119-8211-15	1/10W 820 ohm
TH902	002-0306-90	SC20-3J153
VR901	016-0018-17	VR W/SHAFT
VR902	016-0018-17	VR W/SHAFT
VR903	012-6004-63	470k ohm B VR
PWB	039-2987-01	PWB(WITHOUT COMPONENT)

EXPLODED VIEW/PARTS LIST

Main section

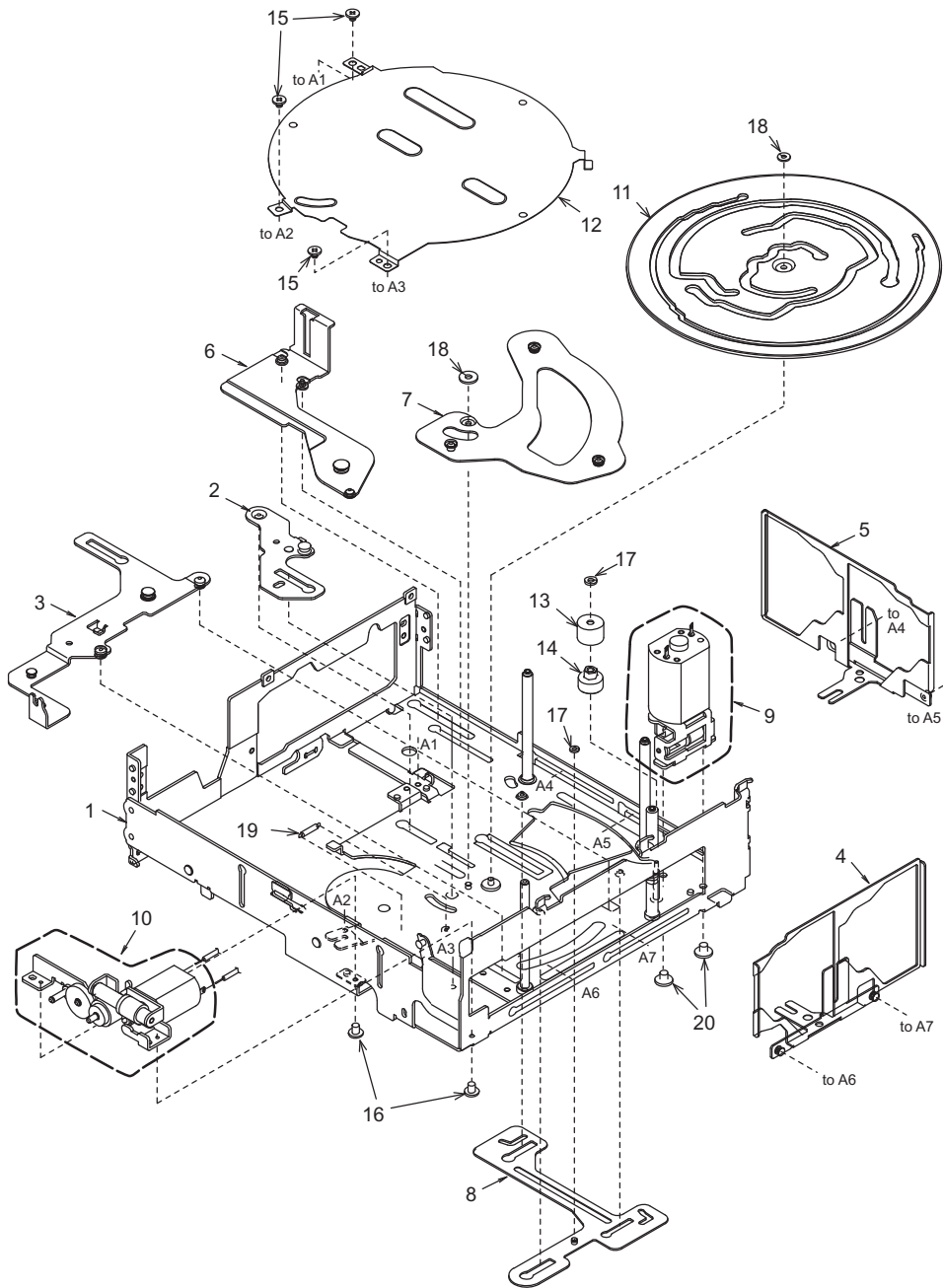


* Do not reuse the following parts.

(No.24,25,28,29,30,31,32)

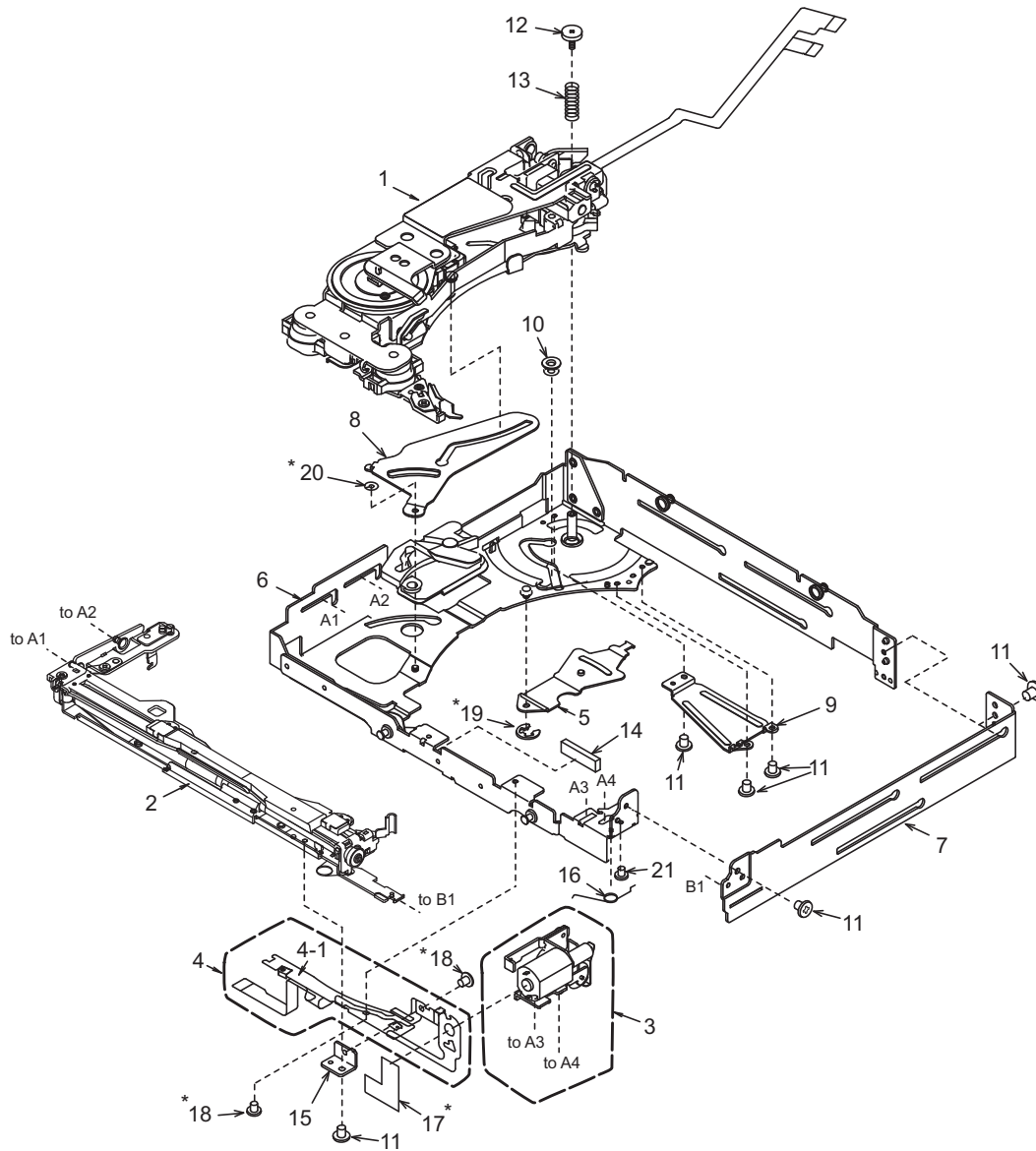
NO.	PART NO.	DESCRIPTION	Q'TY	NO.	PART NO.	DESCRIPTION	Q'TY
1	966-1756-28	LOWER UNIT ASSY	1	20	621-1636-24	SW LINK	1
2	966-0667-21	DISC STP-ASSY L	1	21	621-1765-20	UD-GEAR-D	1
3	HBS-586-100	DH-SEL-ASSY S	1	22	621-1715-20	FPC-STOPPER	1
4	HBS-587-100	DH-SEL-ASSY R	1	23	716-1850-01	SCREW(M2.0x2.0)	4
5	966-0670-22	DS-SP-ASSY L	1	24	716-1850-02	SCREW(M2.0x2.0)	1
6	966-1760-21	DS-SP-ASSY R	1	25	716-1851-02	SCREW(M2.0x3.0)	1
7	966-0672-21	REAR-P-ASSY	1	26	716-3450-00	SCREW(M1.7x2.0)	2
8	966-1753-22	S-DRIVE-CH UNIT	1	27	716-3451-01	SCREW(M1.7x2.5)	8
9	966-1764-21	UPPER UNIT ASSY	1	28	746-0761-00	WASHER	2
10	HBS-566-200	DISC HOLDER UNIT	1	29	744-0045-01	C-RING	2
11	966-1771-21	SLIDE-P-ASSY F	1	30	347-7271-00	FPC SHEET	1
12	966-0709-21	SLIDE-P-ASSY R	1	31	347-7275-00	PROTECT SHEET	1
13	HBS-564-200	CD-PWB-ASSY	1	32	347-7276-00	FPC-SHEET C	1
14	620-1640-20	SW-H-PLATE	1	33	800-4921-60	VINYL-COAT-WIRE	1
15	620-1778-20	GAP PLATE F	1	34	802-4921-60	VINYL-COAT-WIRE	1
16	620-1662-21	GAP PLATE R	1	35	345-5824-00	RUBBER PART	1
17	620-1685-21	DS-PLATE L	1	36	621-1763-20	LOADING GUIDE B	1
18	620-1686-20	DS-PLATE R	1	37	716-1859-01	IT SCREW(M1.7 x 2)	1
19	621-1760-21	DISC STOPPER R	1				

Lower unit assy section : 966-1756-28



NO.	PART NO.	DESCRIPTION	Q'TY	NO.	PART NO.	DESCRIPTION	Q'TY
1	966-1757-25	LOWER-C-ASSY	1	11	620-1771-22	CAM GEAR	1
2	966-0658-22	DH-SP-ASSY A	1	12	620-1624-24	GEAR COVER	1
3	966-1758-20	DS-SP-ASSY A	1	13	621-0732-21	M-GEAR B	1
4	966-0660-22	DH-SP-ASSY S	1	14	621-0733-20	M-GEAR C	1
5	966-0661-23	DH-SP-ASSY R	1	15	716-1850-01	SCREW(M2.0x2.0)	5
6	966-0677-23	D-SHT PL-B-ASSY	1	16	716-3451-01	SCREW(M1.7x2.5)	2
7	966-0659-22	DH-SP-ASSY B	1	17	746-0761-00	WASHER	2
8	966-1759-00	DS-SP-ASSY B	1	18	746-0768-00	WASHER	2
9	HBS-546-100	M-MTR SUB ASSY	1	19	750-6756-20	SW-L-SPRING	1
10	HBS-568-100	UD-MOTOR-ASSY	1	20	716-1851-03	SCREW(M2.0x3.0)	2

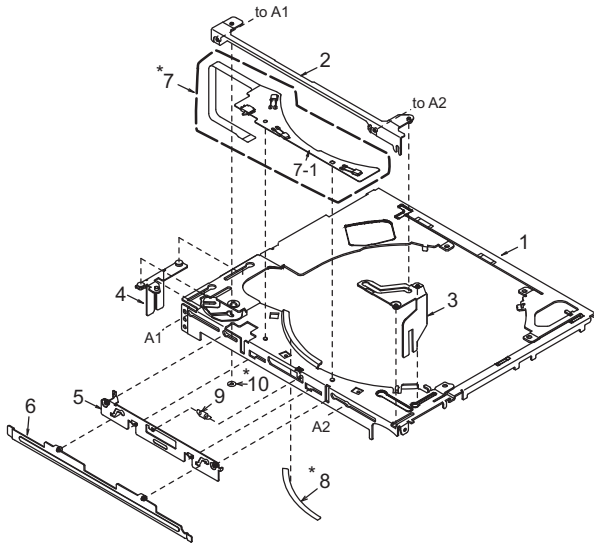
S-Drive-CH unit section : 966-1753-22



* Do not reuse the following parts.
(No.17,18,19,20)

NO.	PART NO.	DESCRIPTION	Q'TY	NO.	PART NO.	DESCRIPTION	Q'TY
1	HBS-565-200	N-DRIVE UNIT	1	11	716-3450-00	SCREW(M1.7x2.0)	6
2	HBS-567-200	LOADING-U-ASSY	1	12	716-3459-01	SCREW(M1.7x2.0)	1
3	HBS-556-100	LO-MOTOR-S-ASSY	1	13	750-6761-20	DRIVE SPRING A	1
4	HBS-552-200	L-SENSOR-S-ASSY	1	14	345-5868-01	RUBBER PART	1
4-1	-----	SENSOR-L-FPC	1	15	620-1651-21	S-PWB-PLATE	1
5	966-0676-21	D-SHT LK-A-ASSY	1	16	750-6754-20	LO-ES-SPRING B	1
6	966-1755-22	DRIVE-CH A ASSY	1	17	345-5424-01	SEN-FPC GUIDE	1
7	620-1681-21	DRIVE CHASSIS B	1	18	716-1859-01	SCREW(M1.7x2.0)	2
8	620-1672-21	DR-SUPPORT-PL	1	19	744-0039-00	E-RING	1
9	620-1680-20	D-SHIFT COVER	1	20	746-0870-00	WASHER	1
10	622-1743-21	D-SHIFT ROLLER B	1	21	716-3538-00	SCREW(M1.7x2.0)	1

Upper unit assy section : 966-1764-21



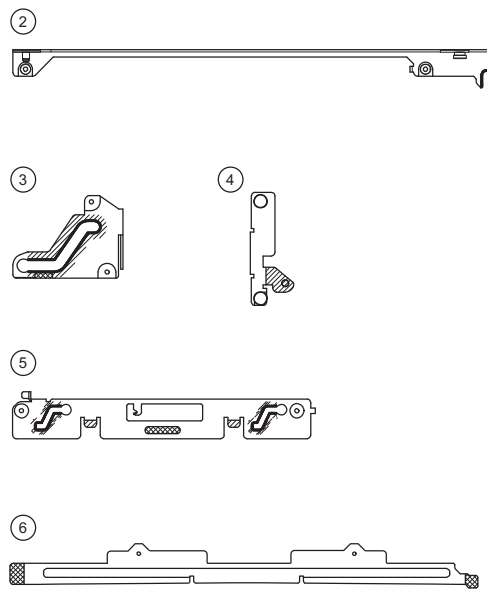
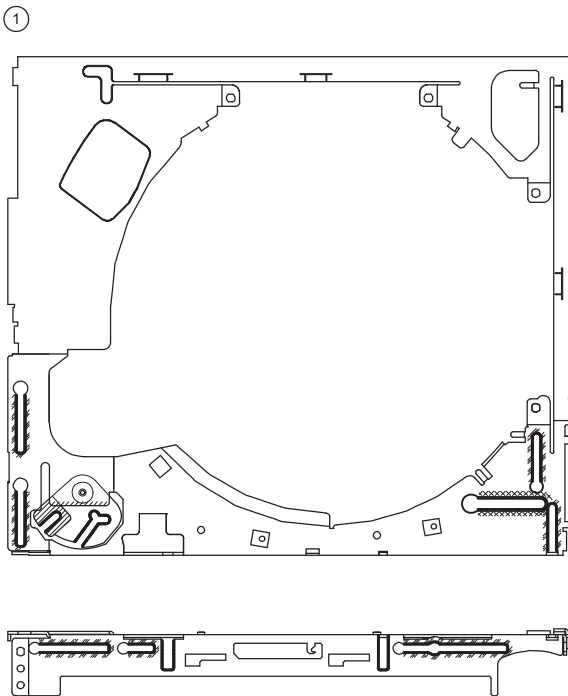
* Do not reuse the following parts.
(No.7,8,10)

NO.	PART NO.	DESCRIPTION	Q'TY
1	966-1761-21	UPPER-CHA-ASSY	1
2	966-1765-20	LO-SHIFT A ASSY	1
3	966-0700-22	LO-SHIFT B ASSY	1
4	966-0701-21	LO-SHIFT ASSY	1
5	966-1766-20	SHUTTER-PL-ASSY	1
6	966-1763-20	SHUTTER ASSY	1
7	HBS-553-200	U-SENSOR-S-ASSY	1
7-1	-----	SENSOR-U-FPC	1
8	347-7272-00	RATTLE SHEET	1
9	750-6755-21	SHUTTER SPRING	1
10	746-0870-00	WASHER	1

[Grease Point]

* Grease: SANKOL FG-87HSR

	Put grease on the surface	
	Put grease on the reverse side	
	Put grease on the both sides	
	Put grease on the edge	



ELECTRICAL PARTS LIST

CD PWB(BM1) section

REF No.	PART No.	DESCRIPTION	REF No.	PART No.	DESCRIPTION	REF No.	PART No.	DESCRIPTION
C1	042-0672-00	25V 47uF TA	C74	168-1042-78	16V 0.1uF	R17	119-4731-15	1/10W 47k ohm
C2	166-1011-50	100pF CH	C75	168-2222-55	2200pF K	R18	119-2231-15	1/10W 22k ohm
C3	168-1042-78	16V 0.1uF	C81	166-1007-50	10pF CH	R19	119-2231-15	1/10W 22k ohm
C4	178-1052-78	1uF	C82	166-1007-50	10pF CH	R20	119-4721-15	1/10W 4.7k ohm
C5	042-0671-01	10V 47uF TA	C83	178-1052-78	1uF	R21	119-4731-15	1/10W 47k ohm
C6	168-1042-78	16V 0.1uF	C85	178-1052-78	1uF	R22	119-4731-15	1/10W 47k ohm
C7	168-1032-55	0.01uF K	C86	166-1201-50	12pF CH	R23	119-4731-15	1/10W 47k ohm
C8	168-1042-78	16V 0.1uF	C87	042-1702-90	6.3V 100uF	R24	050-0145-58	1/16W 2.2k ohm x4
C9	178-1052-78	1uF	C91	168-1032-55	0.01uF K	R25	119-4721-15	1/10W 4.7k ohm
C10	168-1042-78	16V 0.1uF	CCT1	050-0145-59	1/16W 22 ohm x4	R26	119-4721-15	1/10W 4.7k ohm
C11	168-1042-78	16V 0.1uF	CCT2	050-0145-54	1/16W 47k ohm x4	R27	117-7511-15	1/8W 750 ohm
C12	178-1052-78	1uF	CCT3	050-0145-54	1/16W 47k ohm x4	R28	116-3391-15	1/4W 3.3 ohm
C13	178-1052-78	1uF	CCT4	050-0145-55	1/16W 10k ohm x4	R29	032-0145-73	1/2W 6.8 ohm
C14	042-0671-01	10V 47uF TA	D1	001-4301-14	HZU 3.0B1	R30	119-1041-15	1/10W 100k ohm
C15	168-1032-55	0.01uF K	D1	001-0529-14	MA8030-L	R31	119-6811-15	1/10W 680 ohm
C20	178-1052-78	1uF	D2	001-0367-91	1SS226	R32	119-1041-15	1/10W 100k ohm
C21	168-1042-78	16V 0.1uF	D3	001-4301-16	HZU 3.3B1	R33	119-6811-15	1/10W 680 ohm
C22	178-1052-78	1uF	D3	001-0529-16	MA8033-L	R34	119-1041-15	1/10W 100k ohm
C23	168-1042-78	16V 0.1uF	D4	001-4301-18	HZU 3.6B1	R35	117-5611-15	1/8W 560 ohm
C24	042-0671-01	10V 47uF TA	D4	001-0529-18	MA8036-L	R36	119-1041-15	1/10W 100k ohm
C25	168-1042-78	16V 0.1uF	IC1	051-6399-00	TC94A15F	R37	119-1041-15	1/10W 100k ohm
C26	168-1045-56	0.1uF Z	IC2	052-5070-10	TMP91CY22IFG-6HE2	R38	119-3321-15	1/10W 3.3k ohm
C27	168-4732-78	0.047uF K	IC3	051-6711-20	TC94A34FG-004	R39	119-1051-15	1/10W 1M ohm
C28	166-4701-50	47pF CH	IC4	051-6060-08	BD7961FM-E2	R40	119-0000-05	1/10W 0 ohm JW
C29	168-4732-78	0.047uF K	IC5	051-5452-90	BD5235G-TR	R41	119-1041-15	1/10W 100k ohm
C30	166-4711-50	470pF CH	IC6	051-9318-00	GLT4160L04P-60TC	R42	119-5621-15	1/10W 5.6k ohm
C31	168-1532-55	0.015uF K	IC6	051-9318-00	MSM51V17400J-60T	R43	119-4731-15	1/10W 47k ohm
C32	166-4711-50	470pF CH	IC8	051-9402-78	BR93L56RFVM-W	R44	119-2231-15	1/10W 22k ohm
C33	168-1042-78	16V 0.1uF	IC9	051-6072-08	BD7931FE2	R45	119-8231-15	1/10W 82k ohm
C34	168-6822-55	6800pF K	IC9	051-6072-08	BD7931FE2	R46	119-3341-15	1/10W 330k ohm
C35	168-1032-55	0.01uF K	IC10	051-5833-00	GP1S093HCZ	R48	119-2231-15	1/10W 22k ohm
C38	168-3332-78	0.033uF K	IC11	051-3364-90	NJU7771F15	R49	116-1001-15	1/4W 10 ohm
C39	168-4722-55	4700pF K	IC12	051-3364-90	NJU7771F15	R50	119-1011-15	1/10W 100 ohm
C40	168-1042-78	16V 0.1uF	J1	074-1237-69	19PIN	R51	119-6811-15	1/10W 680 ohm
C42	168-1042-78	16V 0.1uF	J2	074-1201-65	15P	R52	117-7511-15	1/8W 750 ohm
C43	168-1532-55	0.015uF K	J3	074-1138-56	6P	R53	116-5611-15	1/4W 560 ohm
C44	168-1042-78	16V 0.1uF	J4	074-1100-61	SOCKET 11P	R54	119-1041-15	1/10W 100k ohm
C45	168-1522-55	1500pF K	J5	074-1201-61	11P SOCKET	R55	119-1041-15	1/10W 100k ohm
C46	168-1042-78	16V 0.1uF	Q1	060-0252-01	PT4850F	R56	119-1041-15	1/10W 100k ohm
C47	166-6811-50	680pF	Q2	125-0021-91	DTA114EUA	R57	119-1041-15	1/10W 100k ohm
C48	166-6801-50	68pF CH	Q3	198-3018-00	2SK3018	R58	119-1041-15	1/10W 100k ohm
C49	178-1052-78	1uF	Q6	131-1188-50	2SB1188PQR	R59	116-1511-15	1/4W 150 ohm
C50	042-0671-01	10V 47uF TA	Q7	125-2027-91	DTC114EUA	R60	119-4731-15	1/10W 47k ohm
C51	042-0671-01	10V 47uF TA	Q8	131-1427-00	2SB1427	R61	119-4731-15	1/10W 47k ohm
C52	178-1052-78	1uF	Q9	131-1188-50	2SB1188PQR	R62	119-1051-15	1/10W 1M ohm
C53	168-1042-78	16V 0.1uF	Q10	125-2027-91	DTC114EUA	R64	032-0140-62	1/10W 1.0k ohm F
C54	178-1052-78	1uF	Q11	125-0021-91	DTA114EUA	R65	119-2211-15	1/10W 220 ohm
C55	178-1052-78	1uF	Q12	125-2027-91	DTC114EUA	R66	032-0140-53	1/10W 2.2k ohm F
C56	042-0671-01	10V 47uF TA	Q20	131-1427-00	2SB1427	R71	119-1011-15	1/10W 100 ohm
C57	168-1042-78	16V 0.1uF	R1	119-4731-15	1/10W 47k ohm	R72	119-1011-15	1/10W 100 ohm
C59	168-1042-78	16V 0.1uF	R2	119-2211-15	1/10W 220 ohm	R73	119-1011-15	1/10W 100 ohm
C60	178-1052-78	1uF	R3	119-2211-15	1/10W 220 ohm	R77	119-0000-05	1/10W 0 ohm JW
C61	168-1032-55	0.01uF K	R4	119-1041-15	1/10W 100k ohm	R82	119-1011-15	1/10W 100 ohm
C62	168-1042-78	16V 0.1uF	R5	119-4731-15	1/10W 47k ohm	R83	119-1031-15	1/10W 10k ohm
C63	168-1042-78	16V 0.1uF	R6	119-2211-15	1/10W 220 ohm	R85	119-1021-15	1/10W 1k ohm
C64	168-1042-78	16V 0.1uF	R7	119-2211-15	1/10W 220 ohm	R86	119-2231-15	1/10W 22k ohm
C65	168-1042-78	16V 0.1uF	R8	119-2211-15	1/10W 220 ohm	S1	013-7416-50	SW SPVL110200
C66	168-1042-78	16V 0.1uF	R10	032-0140-16	1/10W 180k ohm F	S2	013-7416-50	SW SPVL110200
C67	168-1042-78	16V 0.1uF	R11	032-0140-96	1/10W 120k ohm F	S3	013-7416-50	SW SPVL110200
C68	168-1042-78	16V 0.1uF	R12	119-2231-15	1/10W 22k ohm	S4	013-7415-50	SPVG110400
C70	168-1042-78	16V 0.1uF	R13	119-4711-15	1/10W 470 ohm	X1	061-3534-90	16.92MHz
C71	168-1042-78	16V 0.1uF	R14	119-2221-15	1/10W 2.2k ohm	X3	060-1545-90	20MHz
C72	168-1042-78	16V 0.1uF	R15	119-1031-15	1/10W 10k ohm	PWB	039-2747-21	PWB(WITHOUT COMPONENTS)
C73	178-1052-78	1uF	R16	119-0000-05	1/10W 0 ohm JW			

Sensor-L-PFC(BM2)

REF No.	PART No.	DESCRIPTION	REF No.	PART No.	DESCRIPTION	REF No.	PART No.	DESCRIPTION
PT1	060-0252-01	PT14850F	PT3	051-5833-00	GP1S093HCZ	PWB	039-2467-21	PWB(WITHOUT COMPONENTS)
PT2	060-0252-01	PT14850F						

Sensor-U-PFC(BM3)

REF No.	PART No.	DESCRIPTION	REF No.	PART No.	DESCRIPTION	REF No.	PART No.	DESCRIPTION
LED1	001-7077-00	GL4804	LED3	001-7077-00	GL4804	PWB	039-2466-20	PWB(WITHOUT COMPONENTS)
LED2	001-7077-00	GL4804	S5	013-7417-50	ABC1122P161			