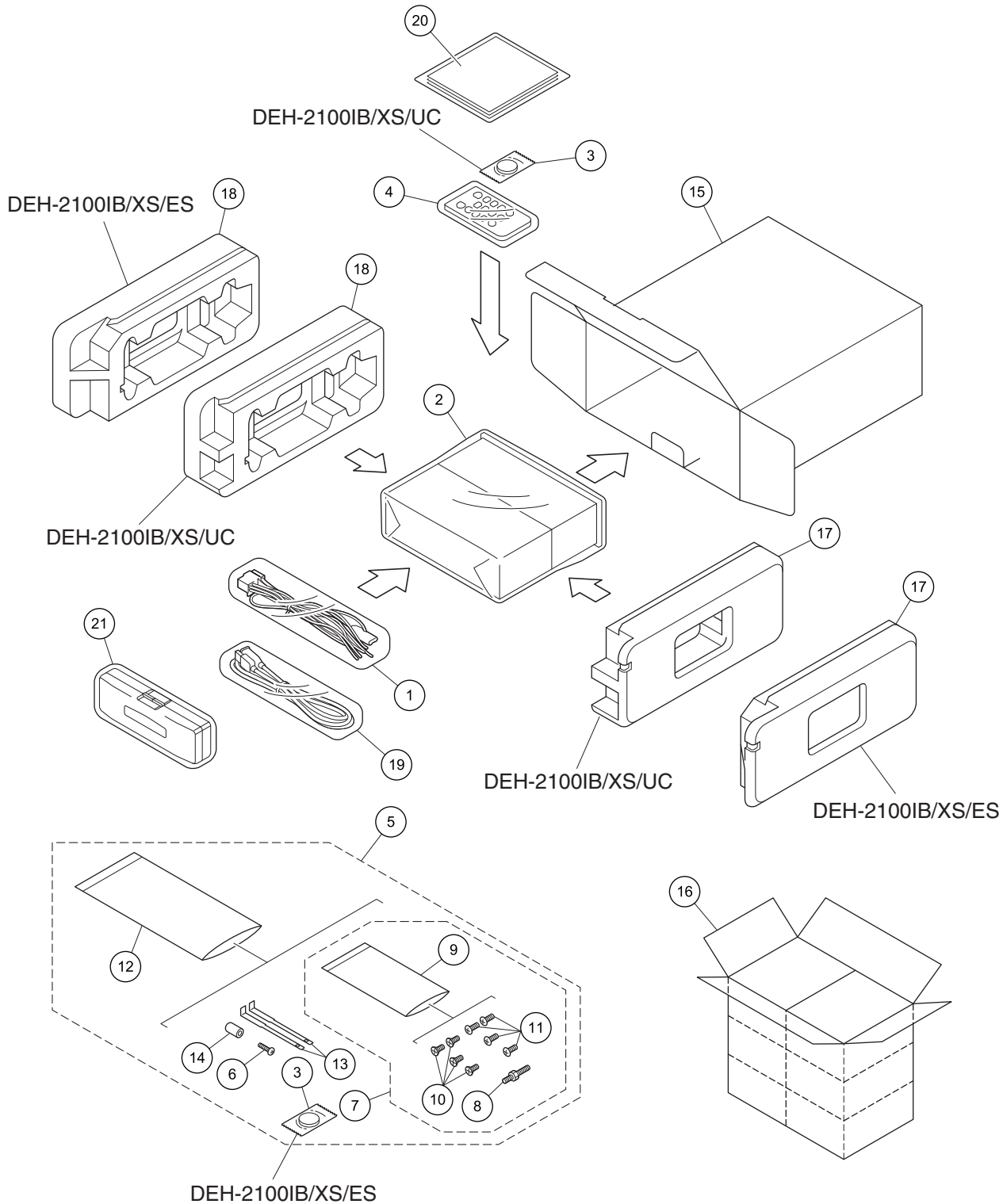


9. EXPLODED VIEWS AND PARTS LIST

- NOTES :**
- Parts marked by " * " are generally unavailable because they are not in our Master Spare Parts List.
 - The \triangle mark found on some component parts indicates the importance of the safety factor of the part. Therefore, when replacing, be sure to use parts of identical designation.
 - Screw adjacent to ∇ mark on the product are used for disassembly.
 - For the applying amount of lubricants or glue, follow the instructions in this manual. (In the case of no amount instructions, apply as you think it appropriate.)

9.1 PACKING



(1) PACKING SECTION PARTS LIST

<u>Mark No.</u>	<u>Description</u>	<u>Part No.</u>	<u>Mark No.</u>	<u>Description</u>	<u>Part No.</u>
1	Cord Assy	See Contrast table (2)	13	Handle	CND3707
2	Polyethylene Bag	See Contrast table (2)	14	Bush	See Contrast table (2)
* 3	Battery	CEX1065	15	Unit Box	See Contrast table (2)
4	Remote Control Assy	CXC8885			
* 5	Accessory Assy	See Contrast table (2)	16	Contain Box	See Contrast table (2)
			17	Protector	See Contrast table (2)
6	Screw	See Contrast table (2)	18	Protector	See Contrast table (2)
7	Screw Assy	See Contrast table (2)	19	Cord Assy	See Contrast table (2)
8	Screw	See Contrast table (2)	20-1	Owner's Manual	See Contrast table (2)
* 9	Polyethylene Bag	CEG-127			
10	Screw	CRZ50P090FTC	20-2	Caution Card	CRP1387
			* 20-3	Warranty Card	See Contrast table (2)
11	Screw	TRZ50P080FTC	21	Case Assy	See Contrast table (2)
12	Polyethylene Bag	CEG1160			

(2) CONTRAST TABLE

DEH-2100IB/XS/UC and DEH-2100IB/XS/ES are constructed the same except for the following:

Mark	No.	Description	DEH-2100IB/XS/UC	DEH-2100IB/XS/ES
	1	Cord Assy	YDP5022	CDP1017
	2	Polyethylene Bag	CEG1173	CEG-162
*	5	Accessory Assy	YEA5071	CEA9954
	6	Screw	BPZ20P060FTC	Not used
	7	Screw Assy	YEA5072	CEA3849
	8	Screw	Not used	CBA1650
	14	Bush	Not used	CNV3930
	15	Unit Box	YHG5465	YHG5466
	16	Contain Box	YHL5465	YHL5466
	17	Protector	YHP5052	YHP5050
	18	Protector	YHP5053	YHP5051
	19	Cord Assy	YDP5016	Not used
	20-1	Owner's Manual	YRD5226	YRD5228
*	20-3	Warranty Card	CRY1276	Not used
	21	Case Assy	Not used	YXB5009

Owner's Manual, Installation Manual

Part No.	Language
YRD5226	English, French, Spanish(Espanol)
YRD5228	English, Spanish(Espanol), Portuguese(B), Arabic

9.2 EXTERIOR (1)

1

2

3

4

A

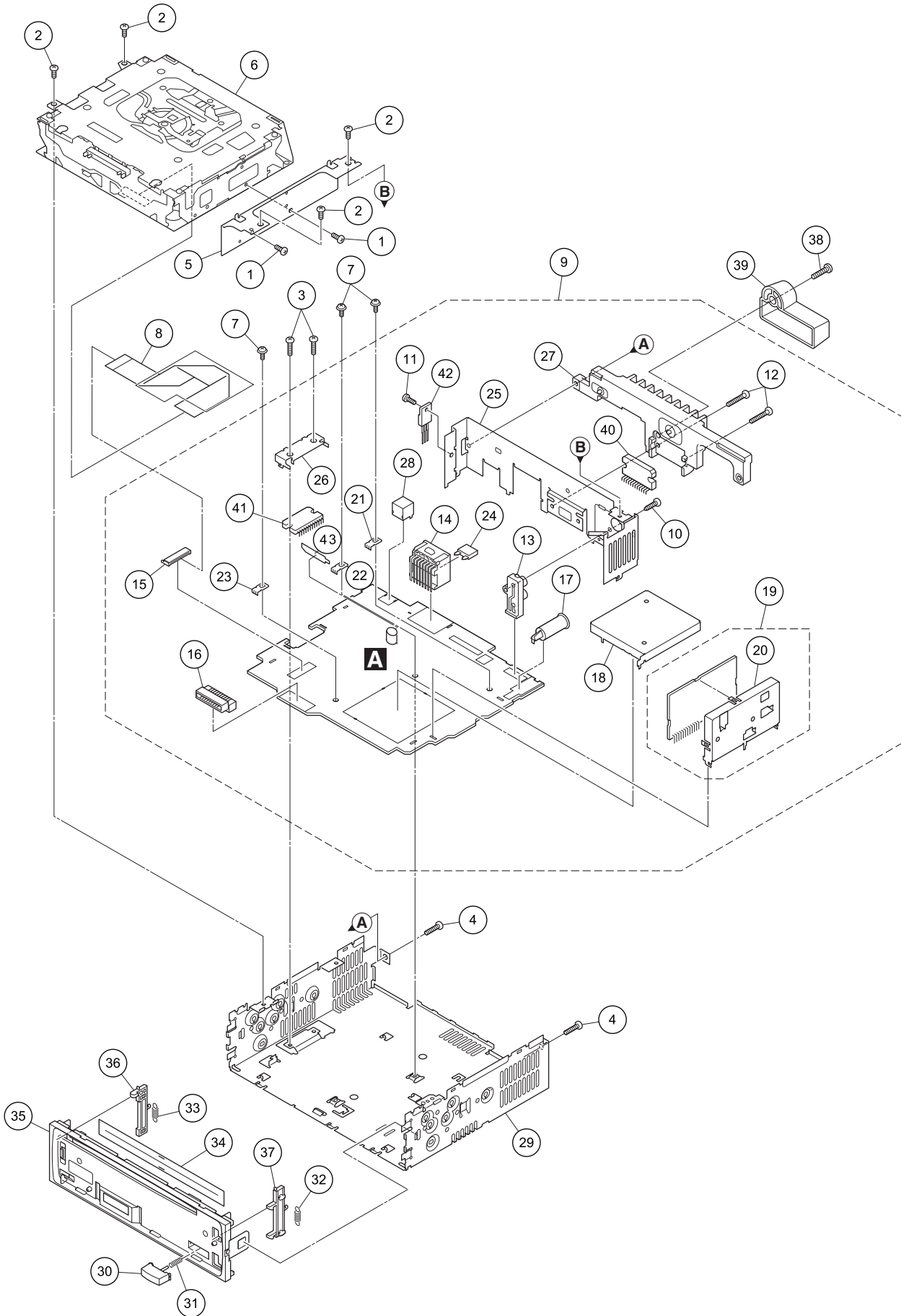
B

C

D

E

F



1

2

3

4

(1) EXTERIOR (1) SECTION PARTS LIST

<u>Mark No.</u>	<u>Description</u>	<u>Part No.</u>	<u>Mark No.</u>	<u>Description</u>	<u>Part No.</u>
1	Screw	BSZ25P060FTB	23	Terminal(CN801)	VNF1084
2	Screw	BSZ26P060FTC	⚠ 24	Fuse(10 A)	YEK5001
3	Screw	BSZ26P100FTC	25	Holder	YND5023
4	Screw	BSZ26P160FTC			
5	Holder	CND4748	26	Holder	YND5034
			27	Heat Sink	YNR5123
6	CD Mechanism Module(S10.5)	CXK5763	28	Connector(JA561)	CKS6057
7	Screw	ISS26P055FTC	29	Chassis Unit	YXA5541
8	Cable	YDE5044	30	Button	CAC4836
9	Tuner Amp Unit	See Contrast table (2)			
10	Screw	BPZ26P080FTC	31	Spring	CBH2367
			32	Spring(Silver)	CBH2961
11	Screw	BSZ26P060FTC	33	Spring(Black)	CBH2962
12	Screw	BSZ26P200FTC	34	Cover	CNN1665
13	Pin Jack(CN351)	CKB1056	35	Panel	CNS9662
14	Plug(CN911)	CKM1376			
15	Connector(CN651)	CKS3829	36	Arm	CNV9312
			37	Arm	CNW1439
16	Connector(CN831)	CKS6050	38	Screw	See Contrast table (2)
17	Antenna Jack(CN401)	CKX1070	39	Holder	See Contrast table (2)
18	Holder	CND3706	40	IC(IC301)	PAL007C
19	FM/AM Tuner Unit	CWE2025			
20	Holder	CND3466	41	IC(IC911)	BA49181-V12
			42	Transistor(Q991)	2SD2396
21	Terminal(CN402)	VNF1084	43	Sheet	YNM5150
22	Terminal(CN601)	VNF1084			

(2) CONTRAST TABLE

DEH-2100IB/XS/UC and DEH-2100IB/XS/ES are constructed the same except for the following:

Mark	No.	Description	DEH-2100IB/XS/UC	DEH-2100IB/XS/ES
	9	Tuner Amp Unit	YWM5297	YWM5303
	38	Screw	BMZ40P160FTC	Not used
	39	Holder	CNV7619	Not used

9.3 EXTERIOR (2)

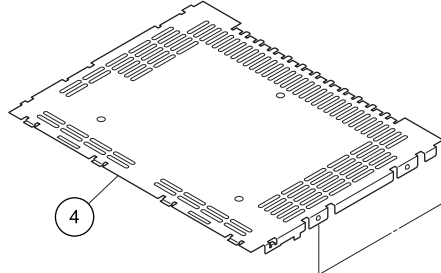
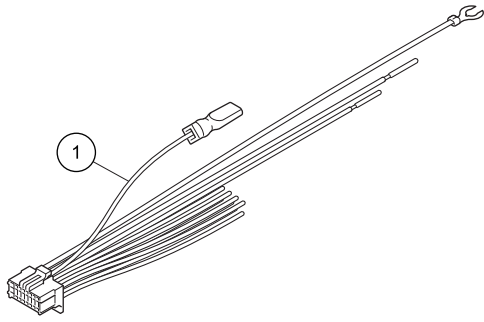
1

2

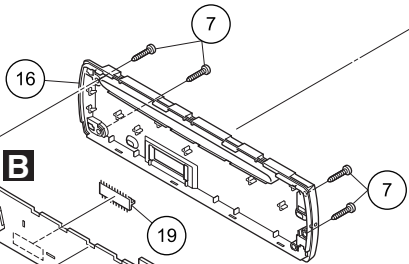
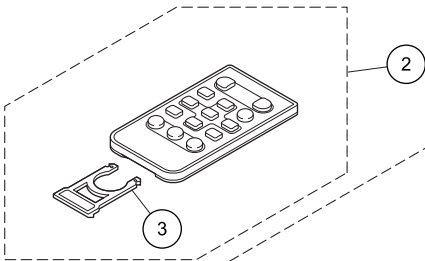
3

4

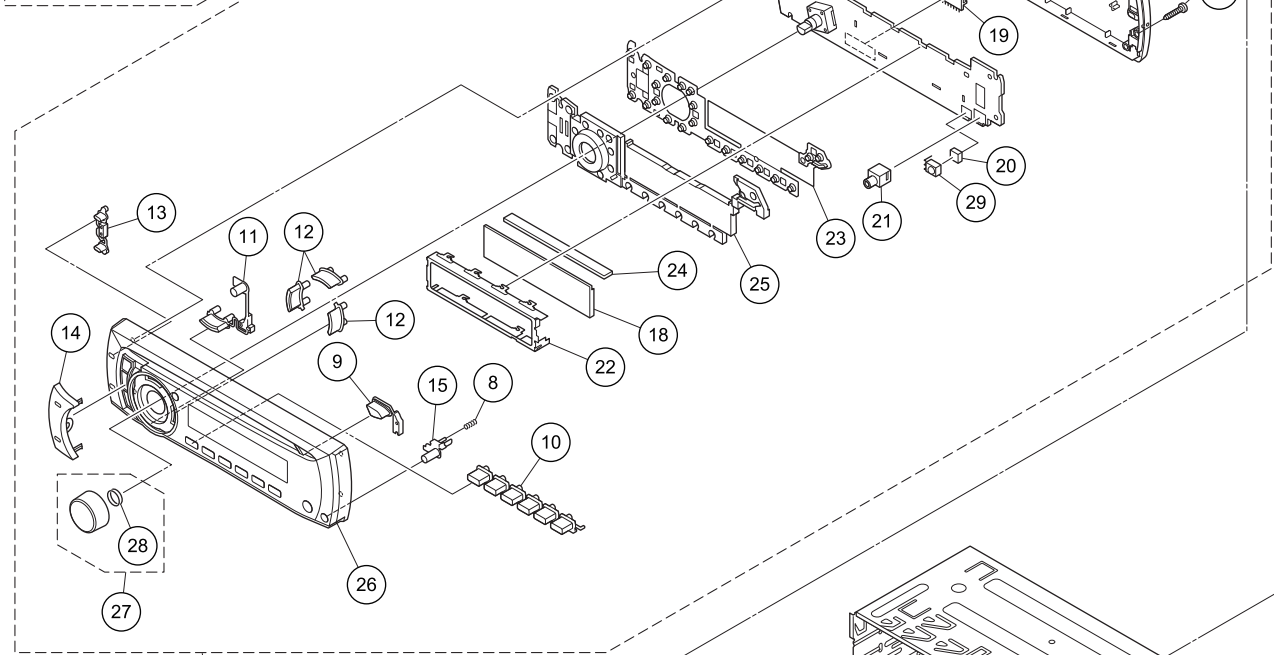
A



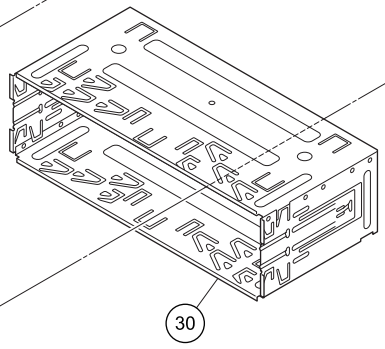
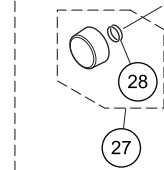
B



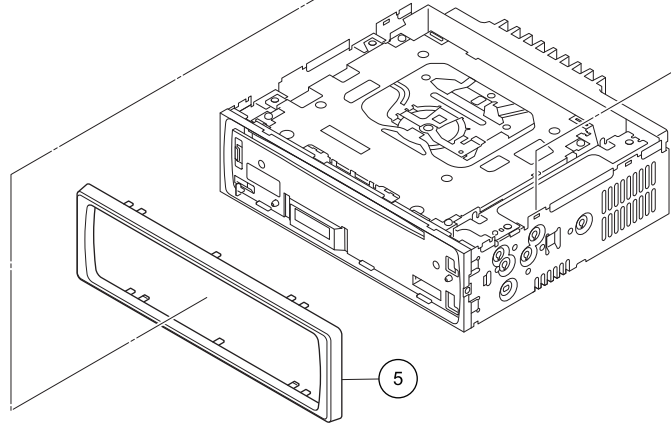
C



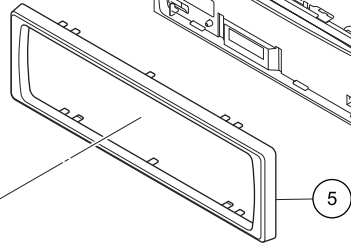
D



E



F



1

2

3

4

(1) EXTERIOR (2) SECTION PARTS LIST

<u>Mark No.</u>	<u>Description</u>	<u>Part No.</u>	<u>Mark No.</u>	<u>Description</u>	<u>Part No.</u>
1	Cord Assy	See Contrast table (2)	16	Cover	YNS5405
2	Remote Control Assy	CXC8885	17	
3	Cover	CNS7068	18	LCD(LCD1801)	CAW1970
4	Case	YNB5046	19	Connector(CN1801)	CKS6049
5	Panel	YNS5406	20	Spacer	CNN2527
6	Detachable Assy	See Contrast table (2)	21	Jack(CN1802)	YKN5001
7	Screw	BPZ20P100FTC	22	Holder	YNC5061
8	Spring	CBH2210	23	Rubber	YNV5169
9	Button(EJECT)	YAC5341	24	Connector	YNV5170
10	Button(1-6)	YAC5342	25	Lighting Conductor	YNV5171
11	Button(CLOCK/DOWN)	YAC5343	26	Grille Unit	See Contrast table (2)
12	Button(LEFT, UP, RIGHT)	YAC5344	27	Knob Unit	See Contrast table (2)
13	Button(SRC/BAND)	YAC5345	28	Spring	YBL5010
14	Button(LIST/DISP)	YAC5346	29	Remote IC(IC1802)	GP1UXC14RK
15	Button(DETACH)	YAC5347	30	Holder	CND3598

(2) CONTRAST TABLE

DEH-2100IB/XS/UC and DEH-2100IB/XS/ES are constructed the same except for the following:

Mark	No.	Description	DEH-2100IB/XS/UC	DEH-2100IB/XS/ES
	1	Cord Assy	YDP5022	CDP1017
	6	Detachable Assy	YXA5563	YXA5564
	26	Grille Unit	YXA5557	YXA5558
	27	Knob Unit	YXC5103	YXC5102

9.4 CD MECHANISM MODULE

A

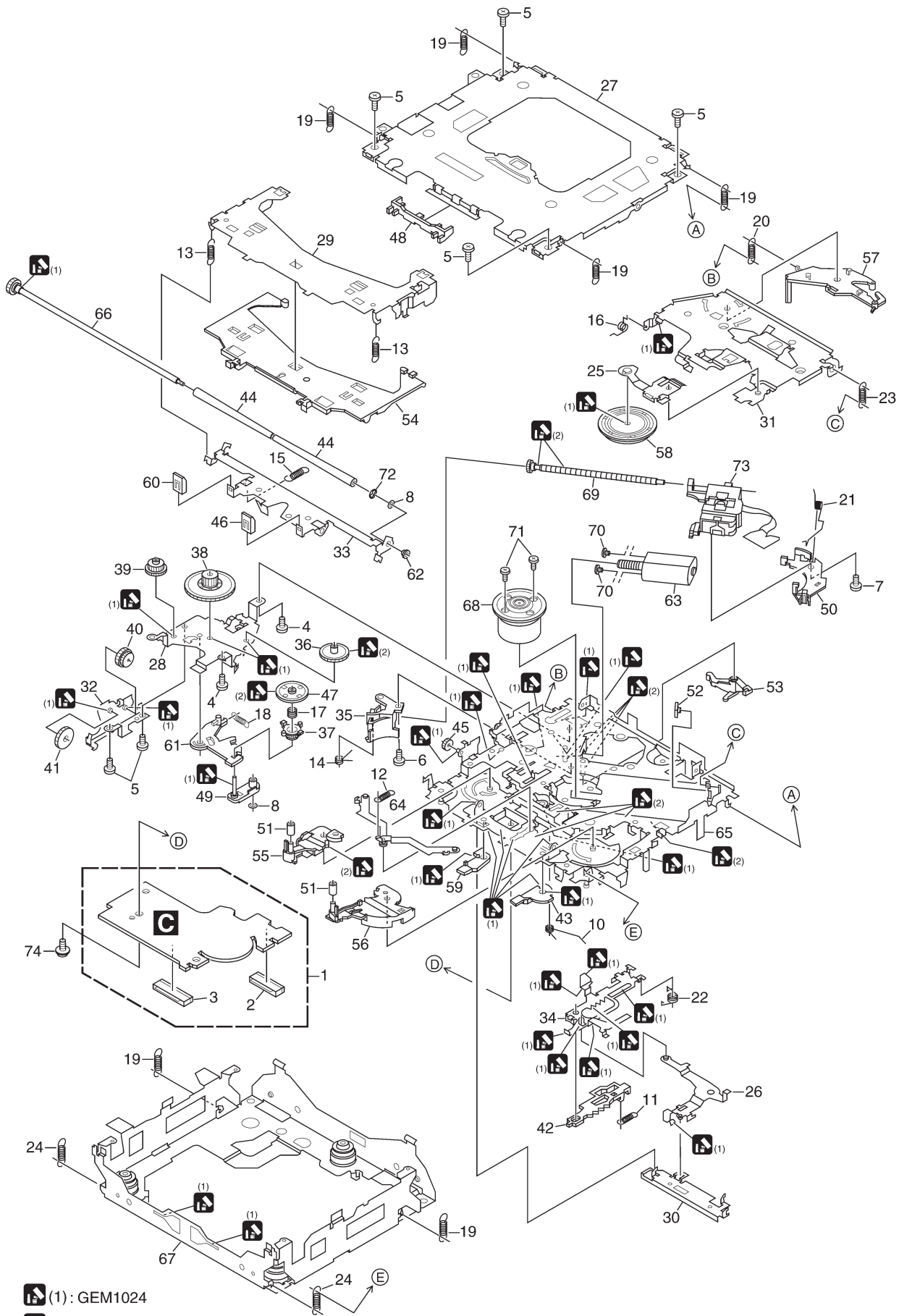
B

C

D

E

F



(1): GEM1024
 (2): GEM1045

CD MECHANISM MODULE SECTION PARTS LIST

<u>Mark No.</u>	<u>Description</u>	<u>Part No.</u>	<u>Mark No.</u>	<u>Description</u>	<u>Part No.</u>
1	CD Core Unit(S10.5COMP2)	CWX3514	50	Rack	CNV8342
2	Connector(CN101)	CKS4911			
3	Connector(CN701)	CKS4808	51	Roller	CNV8343
4	Screw	BMZ20P025FTC	52	Holder	CNV8344
5	Screw	BSZ20P040FTC	53	Arm	CNV8345
			54	Guide	CNV9498
6	Screw(M2 x 3)	CBA1511	55	Arm	CNV8348
7	Screw(M2 x 4)	CBA1835			
8	Washer	CBF1038	56	Arm	CNV8349
9		57	Arm	CNV8350
10	Spring	CBH2609	58	Clamper	CNV8365
			59	Arm	CNV8386
11	Spring	CBH2612	60	Guide	CNV8396
12	Spring	CBH2614			
13	Spring	CBH2616	61	Arm	CNV9521
14	Spring	CBH2617	62	Collar	CNV8447
15	Spring	CBH2620	63	Motor Unit(M2)	CXC4026
			64	Arm Unit	CXC4027
16	Spring	CBH2855	65	Chassis Unit	CXC4028
17	Spring	CBH2937			
18	Spring	CBH2735	66	Gear Unit	CXC4029
19	Spring	CBH2854	67	Frame Unit	CXC4031
20	Spring	CBH2642	68	Motor Unit(M1)	CXC7134
			69	Screw Unit	CXC6359
21	Spring	CBH2856	70	Screw	JFZ20P025FTC
22	Spring	CBH2857			
23	Spring	CBH2860	71	Screw	JGZ17P022FTC
24	Spring	CBH2861	72	Washer	YE20FTC
25	Spring	CBL1686	73	Pickup Unit(P10.5)(Service)	CXX1942
			74	Screw	IMS26P030FTC
26	Arm	CND1909			
27	Frame	CND2582			
28	Bracket	CND2583			
29	Arm	CND3831			
30	Lever	CND2585			
31	Arm	CND2586			
32	Bracket	CND2587			
33	Arm	CND2588			
34	Lever	CND2589			
35	Holder	CNV9522			
36	Gear	CNV7207			
37	Gear	CNV9513			
38	Gear	CNV7209			
39	Gear	CNV9514			
40	Gear	CNV9515			
41	Gear	CNV9516			
42	Rack	CNV9517			
43	Arm	CNV7216			
44	Roller	CNV8189			
45	Gear	CNV9518			
46	Guide	CNV9519			
47	Gear	CNV7595			
48	Guide	CNV9520			
49	Arm	CNV7805			

12. ELECTRICAL PARTS LIST

NOTE:

- Parts whose parts numbers are omitted are subject to being not supplied.
- The part numbers shown below indicate chip components.

Chip Resistor

RS1/○S○○○○J,RS1/○○S○○○○J

Chip Capacitor (except for CQS.....)

CKS....., CCS....., CSZS.....

- The \triangle mark found on some component parts indicates the importance of the safety factor of the part. Therefore, when replacing, be sure to use parts of identical designation.
- Meaning of the figures and others in the parentheses in the parts list.

Example) IC 301 is on the point (face A, 91 of x-axis, and 111 of y-axis) of the corresponding PC board.

IC 301 (A, 91, 111) IC NJM2068V

- The expression of the unit in this manual is shown by u instead of μ . Please do not make a mistake.

<u>Circuit Symbol and No.</u>	<u>Part No.</u>	<u>Circuit Symbol and No.</u>	<u>Part No.</u>
Unit Number : YWM5297(UC)		D 502 (A,50,105) Diode	1SR139-400
Unit Number : YWM5303(ES)		D 840 (B,77,5) Varistor	EZJZ1V800AM
Unit Name : Tuner Amp Unit		D 841 (B,76,13) Varistor	EZJZ1V800AM
Unit Number : (UC)		D 844 (B,80,4) Varistor	EZJZ1V800AM
Unit Number : (ES)		D 845 (B,78,16) Varistor	EZJZ1V800AM
Unit Name : Keyboard Unit		D 901 (A,53,124) Diode	1SR139-400
Unit Number : CWX3514		D 902 (A,53,127) Diode	1SR139-400
Unit Name : CD Core Unit(S10.5COMP2)		D 911 (A,53,77) Diode	1SR139-400
		D 912 (A,44,82) Diode	1SR139-400
		D 931 (A,59,124) Diode	HZS7L(A1)
		D 991 (A,19,114) Diode	HZS7L(C3)
		L 151 (A,134,119) Inductor	LAU2R2J
		L 401 (A,149,83) Inductor	LAU2R2J
		L 402 (A,147,94) Inductor	LAU2R2J
		L 407 (B,164,71) Inductor	CTF1473
		L 501 (A,68,94) Inductor	VTL1118
		L 561 (B,42,91) Inductor	CTF1394
		L 601 (B,120,23) Inductor	CTF1389
		L 602 (A,148,25) Inductor	LAUR47K
		L 603 (A,111,81) Inductor	LAU2R2J
		L 604 (A,119,68) Inductor	LAUR47K

A	<u>Circuit Symbol and No.</u>	<u>Part No.</u>	<u>Circuit Symbol and No.</u>	<u>Part No.</u>
Unit Number : YWM5297(UC)		L 605 (A,127,70) Inductor	LAUR47K	
Unit Number : YWM5303(ES)		L 606 (A,146,70) Ferri-Inductor	LAU1R0J	
Unit Name : Tuner Amp Unit		L 607 (A,147,62) Ferri-Inductor	LAU1R0J	
		L 608 (A,134,70) Inductor	LAU1R5K	
		L 609 (A,131,70) Inductor	LAU1R5K	
		L 610 (A,144,67) Inductor	LAU1R2J	
		L 611 (B,135,81) Inductor	CTF1379	
		L 612 (B,133,81) Inductor	CTF1379	
		L 613 (B,144,62) Inductor	CTF1379	
		L 614 (B,123,62) Inductor	CTF1379	
		L 615 (B,146,54) Inductor	CTF1389	
		L 616 (B,151,76) Inductor	CTF1379	
		L 617 (B,142,78) Inductor	CTF1379	
		L 618 (B,127,23) Inductor	CTF1379	
		L 619 (B,115,65) Inductor	CTF1379	

MISCELLANEOUS

IC 151 (B,127,105) IC	PML014A	L 605 (A,127,70) Inductor	LAUR47K
IC 251 (B,69,87) IC	BD6538G	L 606 (A,146,70) Ferri-Inductor	LAU1R0J
IC 301 (A,91,135) IC	PAL007C	L 607 (A,147,62) Ferri-Inductor	LAU1R0J
IC 501 (B,64,100) IC	BD9007F	L 608 (A,134,70) Inductor	LAU1R5K
IC 601 (B,128,45) IC	PN5026C	L 609 (A,131,70) Inductor	LAU1R5K
IC 751 (B,60,73) IC	NJM2794V	L 610 (A,144,67) Inductor	LAU1R2J
IC 911 (A,16,65) IC	BA49181-V12	L 611 (B,135,81) Inductor	CTF1379
Q 201 (B,131,130) Transistor	RT3T22M	L 612 (B,133,81) Inductor	CTF1379
Q 351 (B,160,128) Transistor	RT3N66M	L 613 (B,144,62) Inductor	CTF1379
Q 567 (B,30,112) Transistor	LTC124EUB	L 614 (B,123,62) Inductor	CTF1379
Q 601 (A,150,68) Transistor	2SD1858	L 615 (B,146,54) Inductor	CTF1389
Q 821 (B,21,17) Transistor	2SA1036K	L 616 (B,151,76) Inductor	CTF1379
Q 822 (B,21,12) Transistor	LTC114EUB	L 617 (B,142,78) Inductor	CTF1379
Q 931 (B,60,118) Transistor	LSC4081UB	L 618 (B,127,23) Inductor	CTF1379
Q 991 (A,7,117) Transistor	2SD2396	L 619 (B,115,65) Inductor	CTF1379
Q 992 (B,12,107) Transistor	RT3T22M	L 801 (A,15,39) Inductor	LAU2R2J
D 301 (A,65,129) Diode	1SR139-400	L 901 (A,35,99) Choke Coil 600 uHCTH1280	
D 302 (A,53,130) Diode	1SR139-400	X 601 (A,141,63) Oscillator 74.100 MHzCSS1749	
D 501 (B,66,91) Diode	RB060L-40	X 602 (A,114,59) Oscillator 4.7186 MHzCSS1729	

5		6		7		8	
<u>Circuit Symbol and No.</u>		<u>Part No.</u>		<u>Circuit Symbol and No.</u>		<u>Part No.</u>	
FU351	(B,138,128) Fuse 3 A	CEK1286		R 577	(B,24,107)	RS1/16S472J	
				R 579	(B,34,115)	RS1/16S223J	
VA561	(B,20,125) Varistor	EZJZ1V270RM					
VA562	(B,28,127) Varistor	EZJZ1V270RM		R 580	(B,34,117)	RS1/16S223J	A
VA563	(B,37,132) Varistor	EZJZ1V270RM		R 581	(B,27,107)	RS1/16S104J	
VA564	(B,20,129) Varistor	EZJZ1V270RM		R 582	(B,30,115)	RS1/16S102J	
VA565	(B,34,122) Varistor	EZJZ1V270RM		R 583	(B,27,121)	RS1/16S102J	
				R 589	(B,25,128)	RS1/16S0R0J	
VA566	(B,30,117) Varistor	EZJZ1V270RM					
VA567	(B,37,131) Varistor	EZJZ1V270RM		R 590	(B,30,107)	RS1/16S0R0J	
AR401	(B,164,117) Surge Protector	IMSA-6801-01Y901		R 591	(B,20,127)	RS1/16S104J	
				R 594	(B,24,105)	RS1/16S0R0J	
				R 597	(B,24,126)	RS1/16S102J	
				R 601	(B,123,28)	RS1/16S473J	
R 151	(B,115,97)	RS1/16S102J		R 602	(B,106,41)	RS1/16S473J	
R 152	(B,98,103)	RS1/16S102J		R 606	(B,107,71)	RS1/16S473J	B
R 153	(B,123,93)	RS1/16S102J		R 607	(B,136,25)	RAB4C104J	
R 171	(B,141,101)	RS1/16S0R0J		R 608	(B,140,61)	RS1/16S470J	
R 172	(B,111,106)	RS1/16S0R0J		R 609	(B,106,48)	RS1/16S473J	
R 177	(B,104,108)	RS1/16S0R0J		R 610	(B,117,72)	RS1/16S203J	
R 201	(B,128,123)	RS1/16S103J		R 611	(B,138,72)	RS1/16S182J	
R 202	(B,121,135)	RS1/16S153J		R 612	(B,114,74)	RS1/16S563J	
R 203	(B,120,135)	RS1/16S221J		R 613	(B,141,53)	RS1/16S302J	
R 254	(B,74,88)	RS1/16S561J		R 615	(B,111,73)	RS1/16S563J	
R 257	(B,75,102)	RS1/16S104J					
R 301	(B,83,108)	RS1/16S153J		R 616	(B,154,40)	RS1/16S104J	
R 351	(B,165,132)	RS1/16S223J		R 617	(B,137,32)	RS1/16S473J	
R 352	(B,165,136)	RS1/16S223J		R 618	(B,147,42)	RS1/16S473J	C
R 353	(B,157,125)	RS1/16S821J		R 619	(B,147,40)	RS1/16S104J	
				R 620	(B,106,24)	RS1/16S0R0J	
R 354	(B,164,127)	RS1/16S821J		R 621	(B,106,23)	RS1/16S0R0J	
R 401	(B,158,45)	RS1/16S102J		R 622	(B,130,28)	RS1/16S104J	
R 404	(B,160,58)	RS1/16S472J		R 623	(B,134,17)	RS1/16S103J	
R 405	(B,160,55)	RS1/16S682J		R 624	(B,126,14)	RS1/16S104J	
R 406	(B,160,61)	RS1/16S102J		R 638	(B,159,94)	RS1/16S273J	
R 407	(B,160,63)	RS1/16S102J		R 643	(B,154,38)	RS1/16S104J	
R 408	(B,170,56)	RAB4C104J		R 651	(B,31,29)	RS1/16S104J	
R 409	(B,160,48)	RS1/16S391J		R 652	(B,31,34)	RS1/16S102J	
R 410	(B,160,50)	RS1/16S681J		R 653	(B,31,33)	RS1/16S102J	D
R 411	(B,160,52)	RS1/16S681J		R 654	(B,31,31)	RS1/16S221J	
R 412	(B,160,54)	RS1/16S681J					
R 502	(B,75,95)	RS1/16S4702F		R 656	(B,106,28)	RS1/16S104J	
R 503	(B,76,98)	RS1/16S562J		R 657	(B,106,30)	RS1/16S104J	
R 505	(B,73,91)	RS1/16S1002F		R 658	(B,32,37)	RS1/16S104J	
R 506	(B,71,96)	RS1/16S393J		R 659	(B,106,32)	RS1/16S472J	
				R 660	(B,106,34)	RS1/16S472J	
R 507	(B,113,37)	RS1/16S222J					
R 508	(B,60,95)	RS1/16S473J		R 661	(B,109,30)	RS1/16S221J	
R 509	(B,59,92)	RS1/16S392J		R 662	(B,109,32)	RS1/16S221J	
R 511	(B,62,87)	RS1/10SR471J		R 663	(B,109,34)	RS1/16S221J	
R 513	(B,65,86)	RS1/16S0R0J		R 664	(B,19,41)	RS1/16S473J	
				R 665	(B,116,22)	RS1/16S0R0J	E
R 520	(B,75,97)	RS1/16S0R0J					
R 560	(B,25,112)	RS1/16S104J		R 666	(B,149,56)	RS1/16S103J	
R 561	(B,28,132)	RS1/16S7502F		R 670	(B,132,22) (UC)	RS1/16S473J	
R 562	(B,29,132)	RS1/16S7502F		R 671	(B,132,27) (ES)	RS1/16S473J	
R 563	(B,31,132)	RS1/16S3901F		R 751	(B,60,67)	RS1/16S223J	
				R 752	(B,56,68)	RS1/16S223J	
				R 753	(B,64,66)	RS1/16S101J	
R 564	(B,26,132)	RS1/16S3901F					
R 565	(B,32,132)	RS1/16S3001F					
R 566	(B,25,132)	RS1/16S3001F		R 754	(B,53,73)	RS1/16S101J	
R 567	(B,34,132)	RS1/16S4302F		R 755	(B,53,66)	RS1/16S101J	
R 568	(B,24,132)	RS1/16S4302F		R 803	(B,17,36)	RS1/16S222J	
				R 821	(B,20,20)	RS1/16S562J	F
				R 822	(B,26,18)	RS1/16S103J	
R 574	(B,28,125)	RS1/16S5103F					
R 575	(B,30,120)	RS1/16S3902F					
R 576	(B,25,110)	RS1/16S472J		R 831	(B,55,17)	RS1/16S1R0J	
				R 832	(B,71,18)	RS1/16S473J	

1

2

3

4

Circuit Symbol and No.**Part No.****Circuit Symbol and No.****Part No.**

R 833 (A,75,28)
R 834 (A,79,25)
R 836 (B,64,34)

RD1/4PU222J
RD1/4PU222J
RS1/16S104J

C 508 (B,57,88)
C 564 (B,27,108)
C 601 (B,119,27)
C 602 (B,119,29)
C 603 (B,122,28)

CKSRYB105K10
CKSRYB103K50
CKSRYB105K10
CKSRYB103K50
CKSRYB103K50

A

R 837 (A,74,21)
R 838 (B,71,20)
R 839 (B,93,15)
R 840 (B,93,17)
R 855 (B,59,115)

RD1/4PU103J
RS1/16S222J
RS1/16S222J
RS1/16S222J
RS1/16S104J

C 604 (B,143,74)
C 605 (B,108,74)
C 606 (B,105,62)
C 608 (B,99,81)
C 609 (B,114,73)

CKSRYB103K50
CKSRYB104K16
CKSRYB103K50
CKSRYB104K16
CKSRYB331K50

R 888 (B,76,4)
R 931 (B,105,41)
R 932 (B,66,117)
R 933 (A,59,126)
R 934 (B,66,122)

RS1/16S0R0J
RS1/16S104J
RS1/16S223J
RD1/4PU102J
RS1/16S472J

C 610 (A,97,83)
C 611 (B,114,71)
C 612 (B,119,60)
C 613 (A,103,59)
C 614 (B,169,94)

CEJQ221M6R3
CKSRYB331K50
CKSRYB103K50
CEAL101M6R3
CCSRCH101J50

B

R 935 (B,66,119)
R 991 (A,13,122)

RS1/16S473J
RD1/4PU271J

C 615 (B,123,61)
C 616 (B,122,67)
C 617 (B,129,62)
C 618 (B,111,55)
C 620 (B,144,58)

CKSRYB331K50
CKSRYB105K10
CKSRYB105K10
CCSRCH270J50
CKSRYB105K10

CAPACITORS

C 151 (B,117,101)
C 152 (B,141,99)
C 153 (B,117,99)
C 154 (B,138,98)
C 155 (A,120,116)

CKSRYB224K10
CKSRYB224K10
CKSRYB105K10
CKSRYB105K10
CEJQ470M10

C 622 (B,141,55)
C 623 (B,133,66)
C 624 (B,131,67)
C 625 (B,136,73)
C 626 (B,130,73)

CKSRYB104K16
CKSRYB102K50
CKSRYB102K50
CCSRCH270J50
CCSRCH270J50

C

C 156 (B,141,103)
C 157 (B,107,106)
C 158 (B,117,103)
C 161 (B,141,105)
C 164 (A,114,111)

CKSRYB105K10
CKSRYB105K10
CKSRYB105K10
CKSRYB105K10
CEJQ100M16

C 627 (B,134,79)
C 628 (B,142,65)
C 629 (B,135,60)
C 630 (B,143,70)
C 631 (B,108,72)

CCSRCH150J50
CKSRYB102K50
CCSRCH4R0C50
CCSRCH8R0D50
CKSRYB223K50

C 165 (B,123,116)
C 171 (B,138,103)
C 172 (B,117,104)
C 201 (A,132,135)
C 251 (B,66,4)

CKSRYB104K16
CKSRYB105K10
CKSRYB105K10
CEJQ330M10
CKSRYB105K10

C 632 (B,129,24)
C 633 (B,142,31)
C 634 (B,111,59)
C 635 (B,145,55)
C 640 (B,143,72)

CKSRYB104K16
CKSRYB104K16
CCSRCH270J50
CKSRYB104K16
CKSRYB103K50

D

C 301 (B,125,126)
C 302 (B,121,124)
C 303 (B,123,126)
C 304 (B,118,124)
C 305 (B,120,132)

CKSQYB474K25
CKSQYB474K25
CKSQYB474K25
CKSQYB474K25
CKSRYB474K10

C 641 (B,123,59)
C 642 (B,114,99)
C 643 (B,141,97)
C 645 (B,116,20)
C 646 (B,109,78)

CKSRYB104K16
CKSRYB182K50
CKSRYB182K50
CKSRYB103K50
CKSYB103K50

C 306 (B,118,129)
C 307 (B,120,131)
C 308 (B,115,124)
C 309 (B,120,140)
C 310 (B,117,141)

CKSRYB474K10
CKSRYB474K10
CKSRYB474K10
CKSQYB225K10
CKSQYB225K10

C 652 (B,47,36)
C 653 (B,113,35)
C 656 (B,20,21)
C 668 (B,128,78)
C 669 (B,129,22)

CKSRYB103K50
CCSRCH220J50
CKSRYB105K10
CKSRYB105K10
CKSRYB105K10

C 312 (A,103,123)
C 313 (B,97,142)
C 353 (A,154,121)
C 354 (A,148,121)
C 359 (B,164,138)

CEJQ100M16
CKSRYB104K16
CEJQ2R2M50
CEJQ2R2M50
CCSQCH102J50

C 670 (B,140,79)
C 751 (B,64,68)
C 752 (B,53,74)
C 755 (B,64,65)
C 756 (B,53,71)

CKSRYB104K16
CKSRYB472K50
CKSRYB472K50
CKSRYB105K10
CKSRYB105K10

E

C 401 (B,169,71)
C 404 (A,150,97)
C 405 (B,148,101)
C 406 (B,170,59) (ES)
C 409 (B,158,46) (ES)
C 411 (B,162,45)
C 412 (B,169,96)

CKSRYB104K16
CEJQ101M10
CKSRYB103K50
CCSRCH390J50
CCSRCH100D50
CCSRCH151J50
CKSRYB104K16

C 757 (B,53,69)
C 758 (B,53,68)
C 759 (B,65,76)
C 762 (A,70,66)
C 763 (A,70,72)

CKSRYB105K10
CKSRYB105K10
CKSRYB105K10
CEJQ220M10
CEJQ100M16

C 501 (A,60,89) 150 uF/6.3 V
C 502 (A,56,94)
C 504 (B,58,103)
C 505 (B,71,98)
C 506 (B,71,99)

CCH1804
CEJQ221M16
CKSQYB225K16
CCSRCH101J50
CKSRYB153K50

C 821 (B,19,14)
C 831 (B,66,28) Varistor
C 832 (B,66,27) Varistor
C 833 (B,64,32) Varistor
C 839 (B,79,13)

CKSRYB104K16
EZJZ1V800AM
EZJZ1V800AM
EZJZ1V800AM
CCSRCH221J50

F

1

2

3

4

5
Circuit Symbol and No.

6
Part No.

C 841	(B,71,22)	CCSRCH221J50
C 901	(A,46,115) 3 300 uF/16 V	CCH1732
C 911	(A,58,63)	CEJQ100M16
C 912	(A,47,69)	CEAT102M16
C 913	(B,28,73)	CKSRYB104K16
C 914	(A,49,63)	CEAT221M10
C 915	(A,54,51)	CEJQ100M16
C 917	(B,27,78)	CKSRYB104K16
C 991	(B,10,109)	CKSRYB473K25
C 992	(A,12,97)	CEJQ101M10

B

Unit Number : (UC)

Unit Number : (ES)

Unit Name : Keyboard Unit

MISCELLANEOUS

IC 1801	(B,100,20) IC	PD6340A
IC 1802	(A,139,8) Remote IC	GP1UXC14RK
D 1801	(B,103,6) Diode	MC2848-11
D 1802	(B,100,6) Diode	MC2846-11
D 1803	(B,135,20) Varistor	EZJZ1V270RM
D 1804	(B,128,18) Varistor	EZJZ1V270RM
D 1805	(B,138,20) Varistor	EZJZ1V270RM
D 1823	(A,139,22) White LED	NESW505C-5273
D 1824	(A,6,13) LED	CL-195PG-CD
D 1825	(A,5,30) LED	CL-195PG-CD
D 1826	(A,15,28) LED	CL-195PG-CD
D 1827	(A,39,5) LED	CL-195PG-CD
D 1828	(A,24,19) LED	CL-195PG-CD
D 1829	(A,16,13) LED	CL-195PG-CD
D 1830	(A,37,33) LED	CL-195PG-CD
D 1831	(A,52,18) LED	CL-195PG-CD
D 1832	(A,54,33) LED	CL-195PG-CD
D 1834	(A,91,8) LED	CL-195PG-CD
D 1835	(A,79,8) LED	CL-195PG-CD
D 1836	(A,68,8) LED	CL-195PG-CD
D 1837	(A,103,8) LED	CL-195PG-CD
D 1838	(A,115,8) LED	CL-195PG-CD
D 1839	(A,127,8) LED	CL-195PG-CD
D 1840	(A,146,41) LED	CL-195PG-CD
X 1801	(B,92,8) Ceramic Resonator 5.00 MHz	CSS1731
S 1833	(A,38,19) Rotary Switch	CSD1153
LCD1801	(A,133,32) LCD	CAW1970

RESISTORS

R 1802	(B,127,7)	RS1/16S2R2J
R 1803	(B,111,10)	RS1/16S103J
R 1804	(B,121,19)	RS1/16S101J
R 1806	(B,133,19)	RS1/16S101J
R 1807	(B,134,14)	RS1/16S101J
R 1809	(B,57,28)	RS1/16S473J
R 1810	(B,138,23)	RS1/4SA821J
R 1811	(B,13,20)	RS1/4SA561J
R 1812	(B,13,14)	RS1/4SA561J
R 1813	(B,16,30)	RS1/4SA561J
R 1814	(B,73,18)	RS1/4SA561J
R 1815	(B,123,8)	RS1/4SA391J
R 1828	(B,87,6)	RS1/16S222J

7
Circuit Symbol and No.

8
Part No.

R 1829	(B,87,9)	RS1/16S222J
R 1839	(B,21,16)	RS1/16S0R0J

CAPACITORS

C 1801	(B,111,8)	CKSYF106Z10
C 1802	(B,119,19)	CKSRYB105K10
C 1803	(B,130,18)	CKSRYB472K50
C 1804	(B,133,17)	CKSRYB472K50

C

Unit Number : CWX3514

Unit Name : CD Core Unit(S10.5COMP2)

MISCELLANEOUS

IC 201	(A,34,46) IC	PE5668A
IC 301	(A,27,14) IC	BA5839FP
Q 101	(B,56,72) Transistor	2SA1577
Q 102	(B,47,57) Chip Transistor	2SB1689
X 201	(A,23,35) Ceramic Resonator 16.934 MHz	CSS1603
S 901	(A,53,37) Switch(HOME)	CSN1067
S 903	(B,19,58) Switch(DSCSNS)	CSN1067
S 904	(B,38,67) Switch(12EJ)	CSN1068
S 905	(B,24,68) Switch(8EJ)	CSN1068

RESISTORS

R 101	(B,60,73)	RS1/10SR2R4J
R 102	(B,59,71)	RS1/10SR2R4J
R 103	(B,60,71)	RS1/10SR2R7J
R 104	(B,52,69)	RS1/16SS222J
R 105	(B,41,57)	RS1/16SS102J
R 107	(B,41,59)	RS1/16SS105J
R 202	(B,32,62)	RS1/16SS473J
R 203	(B,42,45)	RS1/16S473J
R 204	(A,25,61)	RS1/16SS221J
R 206	(B,26,53)	RS1/16SS104J
R 210	(B,13,32)	RS1/16SS102J
R 214	(B,36,34)	RS1/16SS472J
R 216	(B,47,49)	RS1/16SS472J
R 221	(B,36,32)	RS1/16SS103J
R 222	(B,35,32)	RS1/16SS103J
R 225	(A,49,49)	RS1/16SS103J
R 226	(A,49,50)	RS1/16SS393J
R 227	(B,45,51)	RS1/16SS562J
R 228	(B,42,53)	RS1/16SS122J
R 229	(B,44,53)	RS1/16SS472J
R 230	(B,21,28)	RS1/16SS0R0J
R 232	(B,43,51)	RS1/16SS122J
R 233	(B,29,52)	RS1/16SS103J
R 234	(B,30,61)	RS1/16SS473J
R 235	(A,25,63)	RS1/16SS473J
R 239	(B,26,48)	RS1/16SS473J
R 240	(B,10,31)	RS1/16SS473J
R 241	(B,9,32)	RS1/16SS103J
R 244	(A,20,52)	RS1/16SS473J
R 255	(A,27,63)	RAB4CQ104J
R 307	(A,34,19)	RS1/16SS183J
R 308	(A,38,20)	RS1/16SS183J
R 309	(A,35,21)	RS1/16SS183J
R 310	(A,38,21)	RS1/16SS183J

Circuit Symbol and No.**Part No.**

R 601	(B,28,38)	RS1/16SS0R0J
R 602	(B,27,41)	RS1/16SS0R0J
R 606	(B,23,41)	RS1/16SS0R0J
R 701	(B,16,35)	RS1/16SS221J
R 702	(A,23,55)	RS1/16SS221J

CAPACITORS

C 106	(B,56,69)	CKSQYB475K6R3
C 202	(A,27,57)	CKSSYB104K10
C 204	(A,24,63)	CKSSYB103K16
C 205	(B,23,43)	CKSQYB475K6R3
C 206	(A,22,39)	CKSSYB104K10
C 207	(A,24,37)	CKSRYB104K16
C 209	(B,33,40)	CEVW220M6R3
C 210	(B,29,42)	CKSSYB104K10
C 211	(A,27,34)	CKSSYB104K10
C 212	(B,29,32)	CKSRYB104K16
C 213	(A,44,37)	CKSSYB104K10
C 214	(A,28,33)	CKSSYB104K10
C 216	(A,50,51)	CKSSYB332K50
C 217	(A,46,51)	CKSSYB104K10
C 218	(A,49,51)	CKSSYB473K10
C 219	(A,45,53)	CKSSYB104K10
C 220	(A,46,53)	CKSSYB182K50
C 221	(A,44,53)	CKSSYB104K10
C 222	(B,43,53)	CCSSCH560J50
C 223	(B,45,53)	CCSSCH4R0C50
C 224	(A,43,55)	CKSSYB104K10
C 226	(A,40,58)	CCSSCH680J50
C 227	(A,40,60)	CCSSCH470J50
C 228	(A,39,62)	CKSSYB103K16
C 229	(B,49,59)	CKSSYB104K10
C 236	(A,42,61)	CKSSYB104K10
C 239	(B,44,51)	CCSSCH220J50
C 240	(A,35,61)	CKSSYB104K10
C 250	(B,36,30)	CKSSYB102K50
C 251	(B,33,29)	CKSSYB102K50
C 303	(A,35,19)	CKSSYB472K25
C 304	(A,34,21)	CKSSYB223K16
C 307	(B,25,9)	CKSRYB104K16
C 308	(B,10,27)	CKSRYB105K10
C 703	(B,11,37)	CCSSCH101J50
C 704	(B,8,36)	CKSSYB102K50
C 711	(A,25,26)	CKSSYB104K10

Miscellaneous Parts List

	Pickup Unit(P10.5)(Service)	CXX1942
M 1	Motor Unit(SPINDLE)	CXC7134
M 2	Motor Unit(LOADING/CARRIAGE)	CXC4026