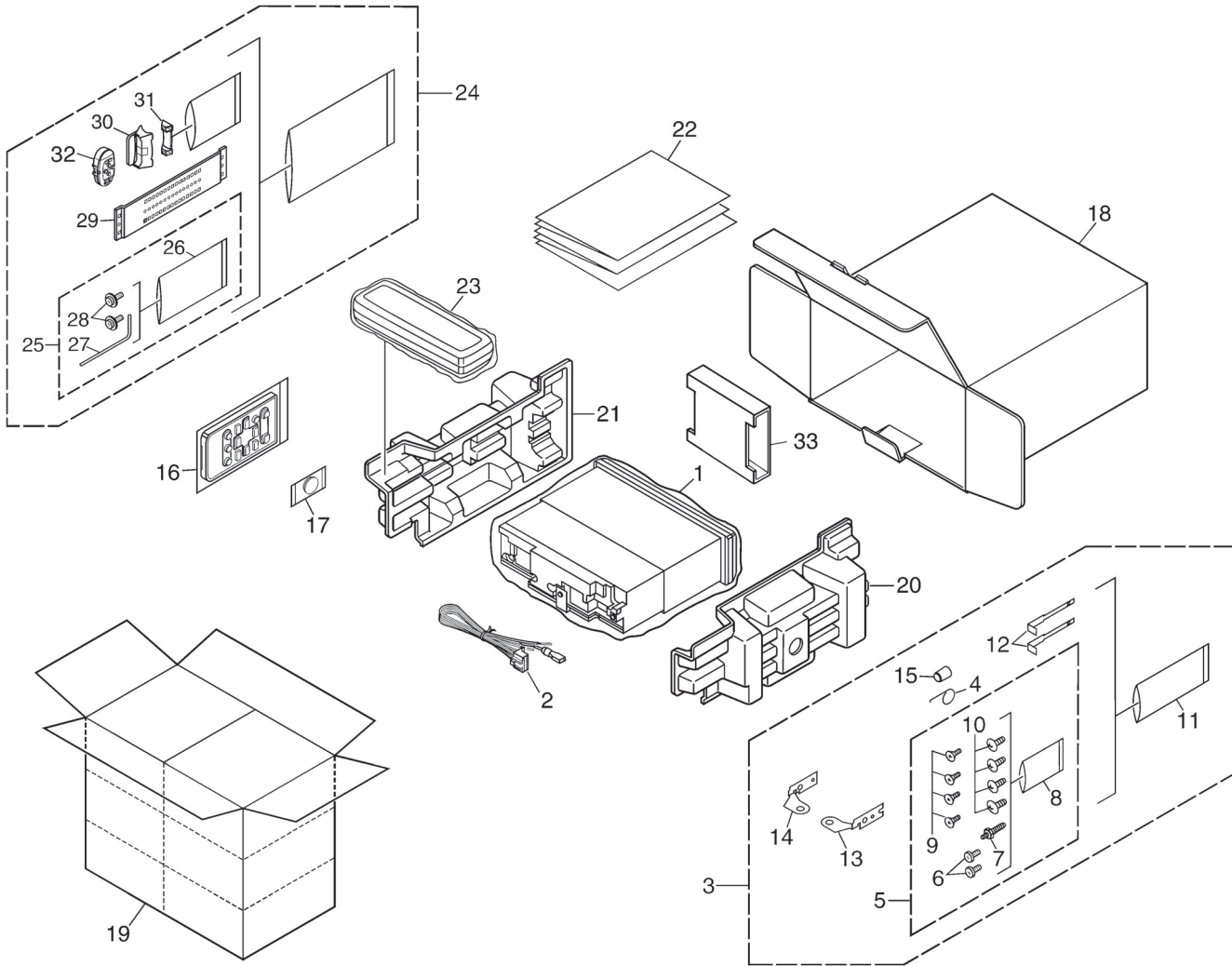


2. EXPLODED VIEWS AND PARTS LIST

NOTES : • Parts marked by "*" are generally unavailable because they are not in our Master Spare Parts List.

- Screw adjacent to ▽ mark on the product are used for disassembly.
- For the applying amount of lubricants or glue, follow the instructions in this manual.
(In the case of no amount instructions, apply as you think it appropriate.)

2.1 PACKING



(1) PACKING SECTION PARTS LIST

<u>Mark No.</u>	<u>Description</u>	<u>Part No.</u>	<u>Mark No.</u>	<u>Description</u>	<u>Part No.</u>
1	Polyethylene Bag	CEG1173			
2	Cord Assy	CDE7154	21	Protector	CHP2664
3	Accessory Assy	CEA3376	22-1	Owner's Manual	See Contrast table(2)
4	Spring	CBH1650	22-2	Installation Manual	See Contrast table(2)
5	Screw Assy	CEA3848	* 22-3	Warranty Card	See Contrast table(2)
			* 22-4	Card	See Contrast table(2)
6	Fixing screw	BPZ20P060FZK			
7	Screw	CBA1650	* 22-5	Caution Card	CRP1207
* 8	Polyethylene Bag	CEG-127	* 22-6	Caution Card	See Contrast table(2)
9	Screw	CRZ50P090FTC	23	Case Assy	CXB3520
10	Screw	TRZ50P080FTC	24	Remote Control Assy	See Contrast table(2)
			25	Screw Assy	See Contrast table(2)
* 11	Polyethylene Bag	CEG-158			
12	Handle	CNC5395	* 26	Polyethylene Bag	See Contrast table(2)
13	Holder	CND1249	* 27	Hexagonal Wrench	See Contrast table(2)
14	Holder	CND1250	* 28	Screw	See Contrast table(2)
15	Bush	CNV3930	29	Belt	See Contrast table(2)
			30	Holder Assy	See Contrast table(2)
16	Remote Control Assy	See Contrast table(2)			
* 17	Battery	See Contrast table(2)	31	Holder Assy	See Contrast table(2)
18	Carton	See Contrast table(2)	32	Remote Control Assy	See Contrast table(2)
19	Contain Box	See Contrast table(2)	33	Inner Box	XHW7001
20	Protector	CHP2663			

(2) CONTRAST TABLE

DEH-P660/XN/UC and DEH-P6600/XN/UC are constructed the same except for the following:

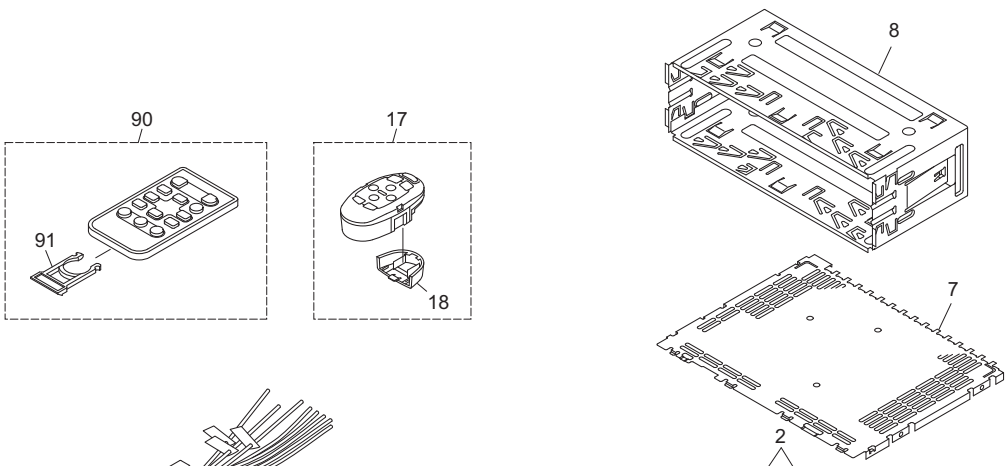
<u>Mark</u>	<u>NO.</u>	<u>Description</u>	<u>DEH-P660/XN/UC</u>	<u>DEH-P6600/XN/UC</u>
*	16	Remote Control Assy	Not used	CXC3173
	17	Battery	Not used	CEK1065
	18	Carton	XHG7028	XHG7029
	19	Contain Box	XHL7028	XHL7029
	22-1	Owner's Manual	XRD7050	XRD7052
*	22-2	Installation Manual	XRD7051	XRD7053
	22-3	Warranty Card	CRY1070	Not used
*	22-4	Card	Not used	ARY1048
*	22-6	Caution Card	Not used	CRP1294
	24	Remote Control Assy	CXB9202	Not used
	25	Screw Assy	CZE3169	Not used
*	26	Polyethylene Bag	CEG-127	Not used
*	27	Hexagonal Wrench	CZE3176	Not used
*	28	Screw	RMZ30H060FBK	Not used
	29	Belt	CZN7661	Not used
	30	Holder Assy	CZX3172	Not used
	31	Holder Assy	CZX3173	Not used
	32	Remote Control Assy	CZX3257	Not used

Owner's Manual, Installation Manual

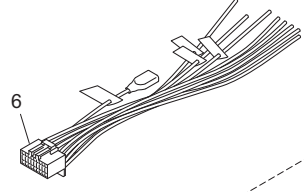
<u>Part No.</u>	<u>Language</u>
XRD7050, XRD7051, XRD7052, XRD7053	English, Spanish

2.2 EXTERIOR

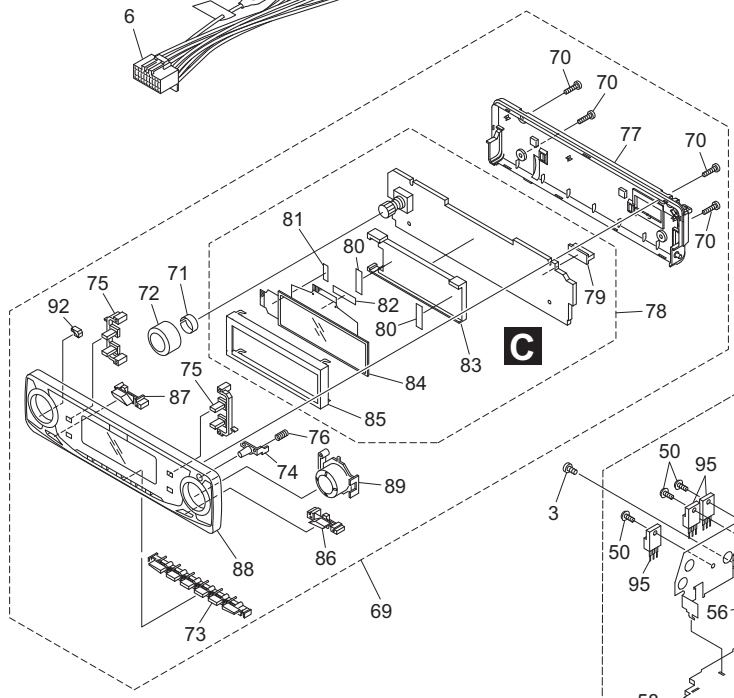
A



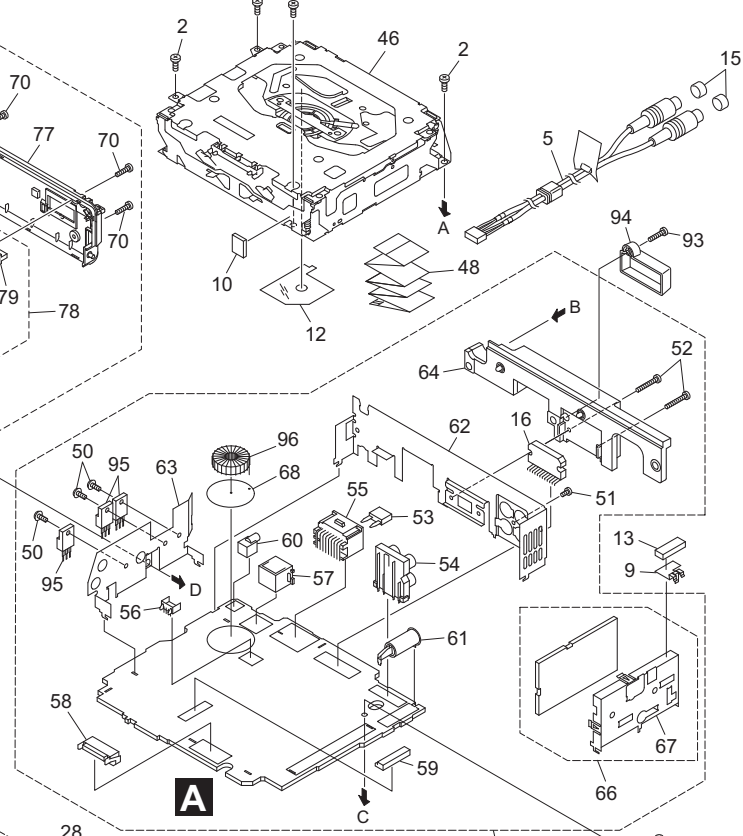
B



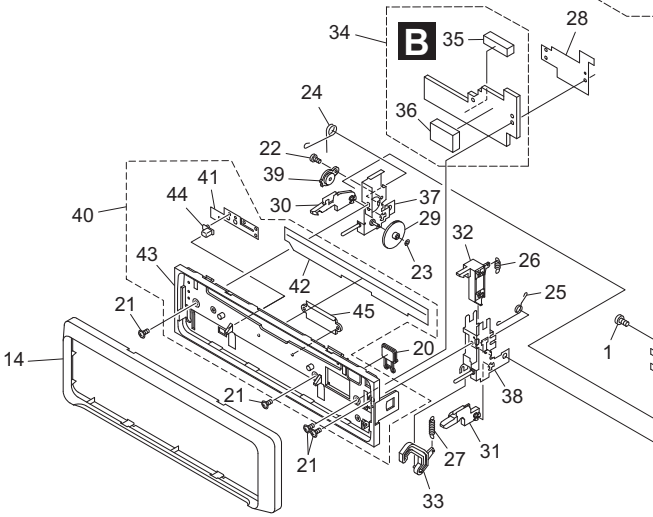
C



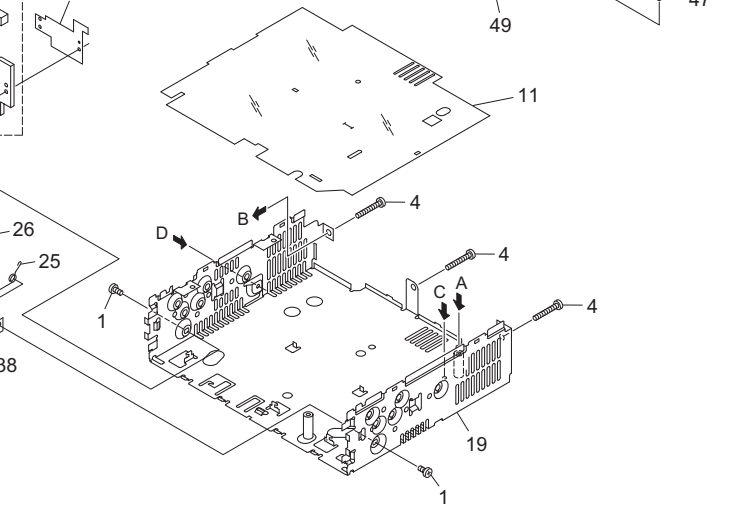
D



E



F



(1) EXTERIOR SECTION PARTS LIST

<u>Mark No.</u>	<u>Description</u>	<u>Part No.</u>	<u>Mark No.</u>	<u>Description</u>	<u>Part No.</u>	
1	Screw	BMZ30P040FZK	51	Screw	BPZ26P080FTC	A
2	Screw	BSZ26P060FTC	52	Screw	BSZ26P160FTC	
3	Screw	BSZ30P060FTC	53	Fuse(10A)	CEK1208	
4	Screw	BSZ30P200FTC	54	Pin Jack(CN352)	CKB1051	
5	Cord Assy	CDE7129	55	Plug(CN901)	CKM1376	
6	Cord Assy	CDE7154	56	Plug(CN351)	CKS1238	
7	Case	CNB2793	57	Connector(CN101)	CKS3408	
8	Holder	CNC8659	58	Plug(CN801)	CKS3537	
9	Earth Plate	CNC8915	59	Connector(CN651)	CKS3835	
10	Insulator	CNM7682	60	Connector(CN161)	CKS4124	B
11	Insulator	CNM7935	61	Antenna Jack(CN401)	CKX1056	
12	Insulator	CNM8174	62	Holder	CND1270	
13	Cushion	CNM8890	63	Holder	CND1352	
14	Panel	See Contrast table(2)	64	Heat Sink	CNR1668	
15	Cap	CNV6727	65		
16		66	FM/AM Tuner Unit	CWE1646	
17	Remote Control Assy	See Contrast table(2)	67	Holder	CND1054	
18	Cover	See Contrast table(2)	68	Insulator	XNM7031	
19	Chassis Unit	CXB9528	69	Detachable Assy	See Contrast table(2)	C
20	Button(EJECT)	CAC7752	70	Screw	BPZ20P100FZK	
21	Screw(M2x4.5)	CBA1647	71	Spring	CBL1470	
22	Screw(M2x4)	CBA1649	72	Knob	See Contrast table(2)	
23	Washer	CBF1038	73	Button(1-6)	XAC7005	
24	Spring	CBH2650	74	Button(OPEN)	See Contrast table(2)	
25	Spring	CBH2651	75	Button(TEXT/SCRL/AUDIO/FUNC)XAC7041		
26	Spring	CBH2652	76	Spring	XBH7001	
27	Spring	CBH2653	77	Cover	XNS7013	
28	Holder	CND1254	78	Keyboard Unit	See Contrast table(2)	D
29	Gear	CNV5997	79	Connector(CN1901)	CKS4524	
30	Arm	CNV7400	80	Cushion	CNM6633	
31	Arm	CNV7401	81	Spacer	CNM7697	
32	Arm	CNV7402	82	Spacer	CNM7698	
33	Arm	CNV7403	83	Holder	CNV6910	
34	Panel Unit	CWM8758	84	OEL Unit	MXS8201	
35	Socket(CN1950)	CKS3550	85	Holder	XNC7006	
36	Connector(CN1951)	CKS4806	86	Button Unit(EQ-EX)	XXA7007	
37	Holder Unit	CXB9501	87	Button Unit(EQ)	XXA7008	E
38	Holder Unit	CXB9502	88	Sub Grille Assy	See Contrast table(2)	
39	Damper Unit	CXB9503	89	Sub Button Assy	See Contrast table(2)	
40	Panel Unit(Service)	CXX1691	90	Remote Control Unit	See Contrast table(2)	
41	Spring	CBL1512	91	Cover	See Contrast table(2)	
42	Cover	CNM6854	92	Cushion	XNM7041	
43	Panel	CNS7245	93	Screw	See Contrast table(2)	
44	Pin	CNV6486	94	Holder	See Contrast table(2)	
45	Lighting Conductor	CNV6487	95	Transistor(Q651,911,921)	2SD 2396	
46	CD Mechanism Module(S10)	CXK5602	96	Choke Coil(L301)	CTH1280	F
47	Screw	ISS26P055FTC				
48	Cable	XDE7003				
49	Tuner Amp Unit	See Contrast table(2)				
50	Screw	ASZ26P060FTC				

(2) CONTRAST TABLE

DEH-P660/XN/UC and DEH-P6600/XN/UC are constructed the same except for the following:

Mark	NO.	Description	DEH-P660/XN/UC	DEH-P6600/XN/UC
A	14	Panel	CNS6935	XNS7070
	17	Remote Control Assy	CZX3257	Not used
	18	Cover	CZN7655	Not used
	49	Tuner Amp Unit	XWM7049	XWM7050
	69	Detachable Assy	XXA7171	XXA7172
	72	Knob	XAA7009	XAA7003
	74	Button(OPEN)	XAC7026	XAC7012
	78	Keyboard Unit	XWM7055	XWM7056
	88	Sub Grille Assy	XXA7164	XXA7165
	89	Sub Button Assy	XXA7225	XXA7224
B	90	Remote Control Unit	Not used	CXC3173
	91	Cover	Not used	CNS7068
	93	Screw	Not used	BMZ40P140FTC
	94	Holder	Not used	CNV7619

2.3 CD MECHANISM MODULE

A

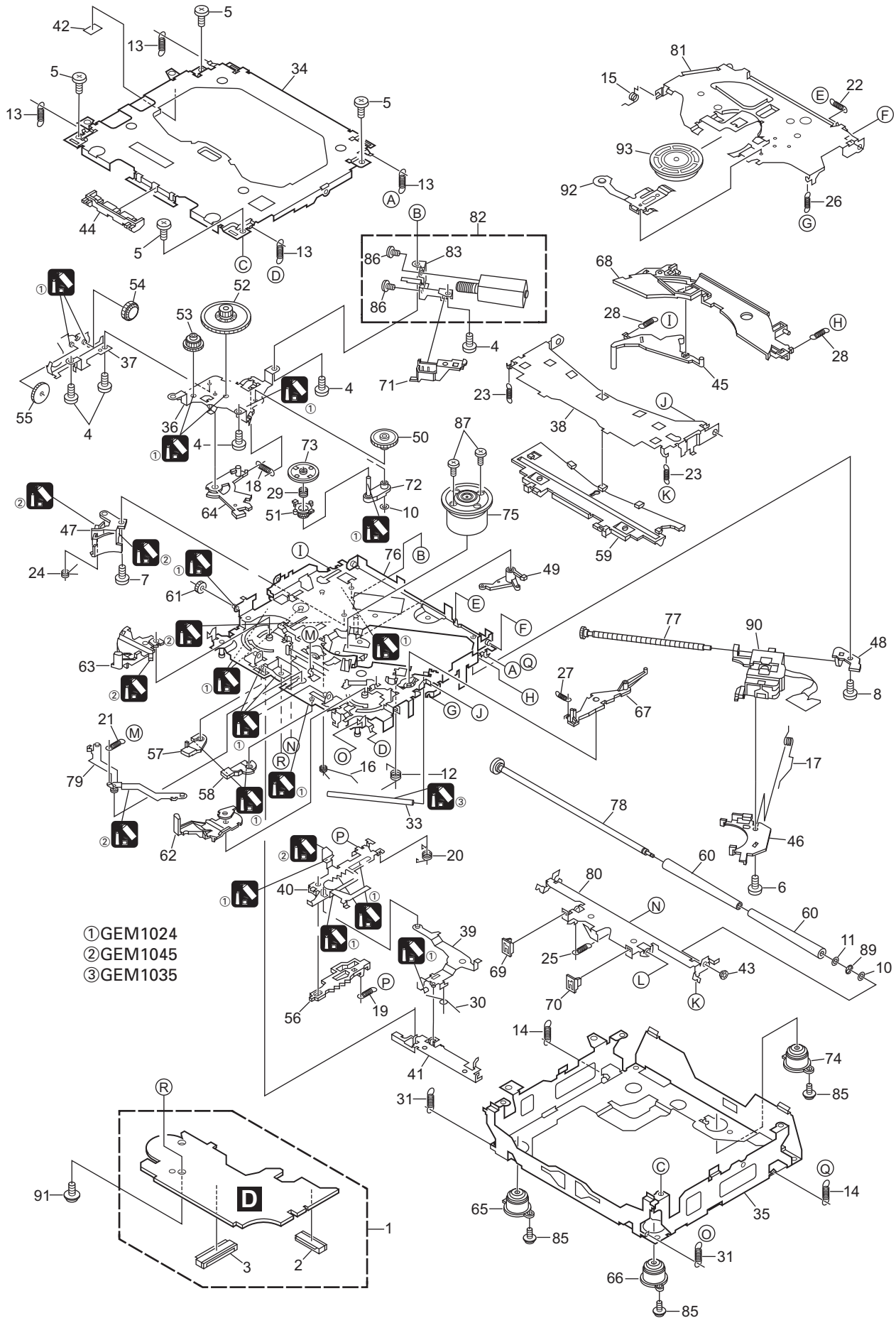
B

C

D

E

F



CD MECHANISM MODULE SECTION PARTS LIST

<u>Mark No.</u>	<u>Description</u>	<u>Part No.</u>	<u>Mark No.</u>	<u>Description</u>	<u>Part No.</u>	
1	CD Core Unit(S10)	CWX2947				
2	Connector(CN101)	CKS4182	51	Gear	CNV7208	A
3	Connector(CN701)	CKS4188	52	Gear	CNV7209	
4	Screw	BMZ20P035FTC	53	Gear	CNV7210	
5	Screw	BSZ20P040FTC	54	Gear	CNV7211	
			55	Gear	CNV7212	
6	Screw(M2x4)	CBA1362				
7	Screw(M2x3)	CBA1511	56	Rack	CNV7214	
8	Screw(M2x3)	CBA1527	57	Arm	CNV7215	
9		58	Arm	CNV7216	
10	Washer	CBF1038	59	Guide	CNV7217	
			60	Roller	CNV7218	B
11	Washer	CBF1060				
12	Spring	CBH2390	61	Gear	CNV7219	
13	Spring	CBH2606	62	Arm	CNV7221	
14	Spring	CBH2607	63	Arm	CNV7220	
15	Spring	CBH2608	64	Arm	CNV7222	
			65	Damper	CNV7313	
16	Spring	CBH2609				
17	Spring	CBH2610	66	Damper	CNV7314	
18	Spring	CBH2735	67	Arm	CNV7341	
19	Spring	CBH2612	68	Arm	CNV7342	
20	Spring	CBH2613	69	Guide	CNV7360	
			70	Guide	CNV7361	C
21	Spring	CBH2614				
22	Spring	CBH2615	71	Holder	CNV7437	
23	Spring	CBH2616	72	Arm	CNV7805	
24	Spring	CBH2617	73	Gear	CNV7595	
25	Spring	CBH2620	74	Damper	CNV7618	
			75	Motor Unit(M1)	CXB6007	
26	Spring	CBH2621				
27	Spring	CBH2641	76	Chassis Unit	CXC2318	
28	Spring	CBH2642	77	Screw Unit	CXB8729	
29	Spring	CBH2643	78	Gear Unit	CXC2397	
30	Spring	CBH2659	79	Arm Unit	CXC2316	D
			80	Arm	CND1896	
31	Spring	CBH2688				
32		81	Arm	CND1894	
33	Shaft	CLA4441	82	Motor Unit(M2)	CXB8933	
34	Frame	CNC9962	83	Bracket	CNC9985	
35	Frame	CNC9963	84		
			85	Screw(M2x5)	EBA1028	
36	Bracket	CNC9966				
37	Bracket	CND1895	86	Screw	JFZ20P020FTC	
38	Arm	CNC9968	87	Screw	JGZ17P022FTC	E
39	Arm	CND1909	88		
40	Lever	CND2032	89	Washer	YE20FTC	
			90	Pickup Unit(P10)(Service)	CXX1641	
41	Lever	CNC9984				
42	Sheet	CNM8134	91	Screw	IMS26P030FTC	
43	Collar	CNV7798	92	Spring	CBL1635	
44	Guide	CNV7799	93	Clamper	CNV7197	
45	Arm	CNV7800				
46	Rack	CNV7199				
47	Holder	CNV7201				F
48	Holder	CNV7202				
49	Arm	CNV7203				
50	Gear	CNV7207				

5. ELECTRICAL PARTS LIST

NOTE:

- Parts whose parts numbers are omitted are subject to being not supplied.
- The part numbers shown below indicate chip components.

Chip Resistor

RS1/○S○○○○J,RS1/○○S○○○○J

Chip Capacitor (except for CQS.....)

CKS....., CCS....., CSZS.....

Circuit Symbol and No.

Part No.

Circuit Symbol and No.

Part No.

A

Unit Number:XWM7049(DEH-P660)

Unit Number:XWM7050(DEH-P6600)

Unit Name:Tuner Amp Unit

MISCELLANEOUS

IC 101	IC	HA12240FP	D 301	Diode	S5688G
IC 131	IC	NJM4558MD	D 302	Diode	S5688G
IC 201	IC	PML009A	D 303	Diode	S5688G
IC 301	IC	PAL007A	D 304	Diode	S5688G
IC 401	IC	NJM2391DL1-33	D 401	Diode	S5688G
IC 601	IC	PD5923A	D 402	Diode	S5688G
IC 602	IC	S-80835CNUA-B8U	D 403	Diode	S5688G
IC 652	IC	TC7SET08FU	D 651	Diode	HZS9L(B1)
IC 653	IC	TC7SET08FU	D 803	Diode Network	DA204U
IC 801	IC	TC7SET08FU	D 804	Diode	DAN202U
IC 851	IC	NJM2360M	D 805	Diode	DAP202U
Q 101	Transistor	2SA1576	D 806	Diode	DAN202U
Q 102	Transistor	DTC114EU	D 807	Diode	DAP202U
Q 301	Transistor	DTC124EU	D 808	Diode	HZS11L(A1)
Q 351	Transistor	UMH3N	D 851	Diode	HZS11L(A1)
Q 352	Transistor	UMH3N	D 852	Diode	RB411D
Q 353	Transistor	UMH3N	D 911	Diode	S5688G
Q 651	Transistor	2SD2396	D 912	Diode	HZS6L(B1)
Q 652	Transistor	UMD2N	D 921	Diode	HZS9L(B3)
Q 803	Transistor	2SD1767	D 931	Diode	HZS7L(A1)
Q 804	Transistor	UMD2N	D 932	Diode	HZS7L(C3)
Q 805	Transistor	DTC143EU	D 937	Diode	MA111
Q 807	Transistor	2SA1576	D 951	Diode	DAN202U
Q 808	Transistor	DTC114EU	D 981	Diode	DAN202U
Q 851	Transistor	2SD1760F5	D 982	Diode	HZS9L(A2)
Q 852	Transistor	UMD2N	L 101	Inductor	LAU2R2K
Q 911	Transistor	2SD2396	L 201	Ferri-Inductor	LAU4R7K
Q 913	Transistor	UMD2N	L 301	Choke Coil 600μH	CTH1280
Q 921	Transistor	2SD2396	L 401	Ferri-Inductor	LAU4R7K
Q 922	Transistor	DTC114EU	L 403	Inductor	LAU1R0K
Q 923	Transistor	2SB1243	L 404	Inductor	LAU1R0K
Q 931	Transistor	UMX1N	L 405	Inductor	LAUR47K
Q 932	Transistor	DTC114EU	L 406	Inductor	CTF1385
Q 951	Transistor	2SA1576	L 601	Ferri-Inductor	LAU100K
Q 981	Transistor	2SC4081	L 651	Inductor	CTF1382
Q 982	Transistor	UMD2N	L 802	Inductor	CTF1382
D 131	Diode Network	DA204U	L 852	Inductor	CTF1510
D 132	Diode Network	DA204U	L 853	Inductor	CTF1489
D 133	Diode	DAN202U	L 951	Inductor	LAU2R2K
D 134	Diode	DAP202U	X 601	Radiator 10.00MHz	CSS1599
			S 802	Switch(DETACH SENSE)	CSN1039
			FU351	Fuse 3A	CEK1286
			FU353	Fuse 3A	CEK1286
			BZ641	Buzzer	CPV1062
			AR401	Surge Protector	DSP-201M-S00B
				FM/AM Tuner Unit	CWE1646
				Fuse 10A	CEK1208

<u>Circuit Symbol and No.</u>	<u>Part No.</u>	<u>Circuit Symbol and No.</u>	<u>Part No.</u>
RESISTORS		R 601 (DEH-P660)	RS1/16S104J
R 101	RS1/16S101J	R 602 (DEH-P6600)	RS1/16S104J
R 102	RS1/16S620J	R 606	RS1/16S104J
R 103	RS1/16S101J	R 607	RS1/16S822J
R 104	RS1/16S222J	R 616	RS1/16S473J
R 105	RS1/16S102J	R 617	RS1/16S102J
R 106	RS1/16S472J	R 630	RS1/16S104J
R 107	RS1/16S223J	R 632	RS1/16S104J
R 108	RS1/16S472J	R 641	RS1/16S102J
R 109	RS1/16S821J	R 648	RS1/16S221J
R 110	RS1/16S821J	R 649	RS1/16S221J
R 111	RS1/16S223J	R 651	RD1/4PU221J
R 112	RS1/16S223J	R 652	RD1/4PU221J
R 113	RS1/16S102J	R 653	RS1/16S472J
R 114	RS1/16S102J	R 654	RS1/16S222J
R 115	RS1/16S472J	R 655	RS1/16S102J
R 133	RS1/16S563J	R 656	RS1/16S0R0J
R 134	RS1/16S104J	R 657	RS1/16S0R0J
R 139	RS1/16S563J	R 658	RS1/16S102J
R 140	RS1/16S104J	R 659	RS1/16S221J
R 147	RS1/16S474J	R 660	RS1/16S221J
R 148	RS1/16S474J	R 661	RS1/16S221J
R 161	RS1/16S102J	R 662	RS1/16S221J
R 162	RS1/16S102J	R 663	RS1/16S102J
R 163	RS1/16S103J	R 664	RS1/16S221J
R 164	RS1/16S103J	R 665	RD1/4PU0R0J
R 201	RAB4C102J	R 667	RS1/16S221J
R 241	RS1/16S0R0J	R 668	RS1/16S222J
R 242	RS1/16S0R0J	R 670	RS1/16S221J
R 247	RS1/16S101J	R 673	RS1/16S104J
R 248	RS1/16S101J	R 677	RS1/16S104J
R 249	RS1/16S101J	R 682	RS1/16S221J
R 250	RS1/16S101J	R 684	RS1/16S0R0J
R 301	RS1/16S103J	R 689	RS1/16S0R0J
R 302	RS1/16S103J	R 802	RS1/16S222J
R 303	RS1/16S153J	R 803	RS1/16S472J
R 304	RS1/16S331J	R 804	RS1/16S1R0J
R 351	RS1/16S821J	R 805	RS1/16S391J
R 352	RS1/16S821J	R 806	RS1/16S391J
R 353	RS1/16S821J	R 807	RS1/16S473J
R 354	RS1/16S821J	R 808	RS1/16S473J
R 355	RS1/16S821J	R 809	RS1/16S102J
R 356	RS1/16S821J	R 810	RS1/16S222J
R 357	RS1/16S223J	R 811	RS1/16S222J
R 358	RS1/16S223J	R 812	RS1/16S222J
R 359	RS1/16S223J	R 813	RS1/16S222J
R 360	RS1/16S223J	R 814	RS1/16S222J
R 361	RS1/16S223J	R 815	RS1/16S473J
R 362	RS1/16S223J	R 816	RS1/16S104J
R 403	RS1/16S681J	R 817	RD1/4PU391J
R 405	RS1/16S681J	R 818	RS1/16S104J
R 406	RS1/16S681J	R 819	RS1/16S222J
R 407	RS1/16S681J	R 820	RS1/16S222J
R 408	RS1/16S681J	R 823	RS1/16S102J
R 410	RS1/16S681J	R 824	RS1/16S473J
R 416	RS1/16S681J	R 825	RS1/16S102J
R 417	RS1/16S681J	R 826	RS1/16S102J
R 419	RS1/16S681J	R 827	RS1/16S102J
R 421	RS1/16S681J	R 828	RS1/16S102J
		R 851	RS1/16S331J

Circuit Symbol and No.**Part No.****Circuit Symbol and No.****Part No.**

R 852	RD1/4PU302J	C 217	CEJQ4R7M35
R 853	RD1/4PU302J	C 218	CEJQ4R7M35
R 854	RS1/16S121J	C 219	CCSRCH120J50
R 855	RS1/16S391J	C 220	CCSRCH120J50
R 856	RS1/16S1R0J	C 221	CCSRCH120J50
R 857	RS1/16S331J	C 222	CCSRCH120J50
		C 225	CEJQ100M16
R 903	RS1/16S223J	C 306	CEJQ330M10
R 912	RS1/16S222J		
R 913	RS1/16S223J	C 307	3300 μ F/16V CCH1486
R 914	RS1/16S104J	C 309	CKSRYB104K16
R 915	RS1/16S104J	C 310	CEJQ100M16
		C 311	CKSYB475K16
R 916	RS1/16S104J	C 312	CKSYB475K16
R 923	RS1/16S103J		
R 924	RD1/4PU122J	C 317	CKSRYB474K10
R 925	RS1/16S182J	C 318	CKSRYB474K10
R 931	RS1/16S472J	C 321	CKSRYB474K10
		C 322	CKSRYB474K10
R 932	RS1/16S473J	C 323	CKSRYB474K10
R 933	RS1/16S103J		
R 934	RS1/16S473J	C 324	CKSRYB474K10
R 935	RS1/16S104J	C 325	CKSQYB225K10
R 936	RS1/16S103J	C 326	CKSQYB225K10
		C 327	CKSRYB474K10
R 938	RD1/4PU102J	C 328	CKSRYB474K10
R 939	RD1/4PU102J		
R 951	RD1/4PU153J	C 351	CEJQ4R7M35
R 952	RS1/16S472J	C 352	CEJQ4R7M35
R 953	RS1/16S472J	C 353	CEJQ4R7M35
		C 354	CEJQ4R7M35
R 954	RS1/16S102J	C 355	CEJQ4R7M35
R 983	RS1/16S223J		
R 984	RS1/16S473J	C 356	CEJQ4R7M35
R 985	RS1/16S102J	C 363	CKSRYB104K16
		C 401	CKSRYB103K50
		C 402	CEJQ101M10
		C 404	CKSYB475K16

CAPACITORS

C 101	CKSRYB104K16		
C 102	CKSRYB473K25	C 406	CEJQ470M10
C 131	CKSRYB104K16	C 408	CKSYB475K16
C 132	CKSRYB104K16	C 409	CEJQ1R0M50
C 141	CKSRYB104K16	C 411	CCSRCH101J50
		C 412	CCSRCH470J50
C 142	CKSRYB103K50		
C 143	CKSRYB474K10	C 601	CEJQ4R7M35
C 144	CKSRYB474K10	C 602	CKSQYB105K16
C 145	CCSRCH101J50	C 603	CEJQ2R2M50
C 146	CCSRCH101J50	C 604	CCSRCH200J50
		C 605	CCSRCH200J50
C 147	CKSRYB104K16		
C 201	CEJQ1R0M50	C 609	CCSRCH101J50
C 202	CEJQ1R0M50	C 651	CEJQ101M10
C 203	CKSRYB104K16	C 652	CKSRYB473K25
C 204	CKSRYB104K16	C 653	CKSRYB473K25
		C 656	CKSRYB473K25
C 205	CKSRYB105K10		
C 206	CEJQ470M16	C 657	CCSRCH470J50
C 207	CEJQ1R0M50	C 662	CCSRCH471J50
C 208	CEJQ1R0M50	C 755	CKSRYB104K16
C 209	CEJQ1R0M50	C 805	CKSRYB473K25
		C 806	CKSRYB473K25
C 210	CEJQ1R0M50		
C 211	CEJQ4R7M35	C 807	CKSRYB473K25
C 212	CEJQ4R7M35	C 851	CEJQ470M16
C 213	CEJQ4R7M35	C 853	4.7 μ F CCG1111
C 214	CEJQ4R7M35	C 855	CEJQ100M25
		C 856	CCSRCH331J50
C 215	CEJQ4R7M35		
C 216	CEJQ4R7M35	C 857	CEJQ330M25
		C 858	CKSRYB104K16

<u>Circuit Symbol and No.</u>		<u>Part No.</u>	<u>Circuit Symbol and No.</u>		<u>Part No.</u>
C 859		CEJQ101M10	S 1918	Switch	CSG1110
C 860		CKSRYB104K16	S 1919	Switch	CSG1110
C 861		CKSRYB223K50	S 1921	Switch	CSG1110
C 911	470µF/16V	CCH1331	S 1922	Switch	CSG1110
C 912		CKSRYB472K50	VR1970	Semi-fixed 20kΩ(B)	CCP1231
C 913		CKSRYB103K50			
C 914		CEJQ470M10	VR1971	Semi-fixed 15kΩ(B)	CCP1230
C 921		CEJQ221M10			
C 922		CKSRYB103K50			
C 923		CEJQ101M16	R 1901		RS1/16S222J
C 931		CEJQ1R0M50	R 1902		RS1/16S222J
C 932		CKSRYB104K16	R 1903		RS1/16S473J



Unit Number:XWM7055(DEH-P660)
Unit Number:XWM7056(DEH-P6600)
Unit Name:Keyboard Unit

MISCELLANEOUS

IC 1901	IC	RS-140	R 1904		RS1/16S181J
IC 1902	IC	S-818A33AUC-BGN	R 1905		RS1/16S680J
IC 1940	IC	PD5932A	R 1906		RS1/16S680J
IC 1990	IC(DEH-P660)	PD8123A	R 1907		RS1/16S680J
IC 1990	IC(DEH-P6600)	PD8119A	R 1908		RS1/16S680J
Q 1960	Transistor	2SC4617	R 1909		RS1/16S181J
Q 1961	Transistor	2SC2411K	R 1910		RS1/16S151J
D 1903	LED	CL-190UB2-X	R 1911		RS1/16S103J
D 1904	LED	CL-190UB2-X	R 1912		RS1/16S682J
D 1905	LED	CL-190UB2-X	R 1913		RS1/16S121J
D 1906	LED	CL-190UB2-X	R 1914		RS1/16S184J
D 1907	LED	CL-195PG-CD	R 1915		RS1/16S2R2J
D 1908	LED	CL-195PG-CD	R 1916		RS1/16S680J
D 1909	LED	CL-190UB2-X	R 1917		RS1/16S680J
D 1910	LED	CL-190UB2-X	R 1918		RS1/16S680J
D 1911	LED	CL-190UB2-X	R 1919		RS1/16S680J
D 1912	LED	CL-190UB2-X	R 1920		RS1/16S181J
D 1914	LED	CL-195PG-CD	R 1922		RS1/16S560J
D 1940	Diode	1SS355	R 1924		RS1/16S560J
L 1901	Inductor	CTF1530	R 1940		RS1/16S222J
L 1940	Inductor	CTF1530	R 1941		RS1/16S101J
TH1960	Thermistor	CCX1037	R 1942		RAB4C101J
X 1940	Radiator 10.0MHz	CSS1577	R 1943		RAB4C101J
S 1901	Encoder(VOLUME)	XSD7002	R 1945		RAB4C101J
S 1902	Push Switch	CSG1112	R 1947		RAB4C101J
S 1903	Push Switch	CSG1112	R 1948		RAB4C101J
S 1904	Push Switch	CSG1111	R 1949		RAB4C101J
S 1905	Push Switch	CSG1111	R 1950		RAB4C101J
S 1906	Switch	CSG1110	R 1952		RS1/16S101J
S 1907	Push Switch	CSG1112	R 1954		RAB4C473J
S 1908	Switch	CSG1107	R 1955		RS1/16S473J
S 1909	Switch	CSG1107	R 1956		RS1/16S103J
S 1910	Switch	CSG1107	R 1957		RAB4C101J
S 1911	Switch	CSG1107	R 1958		RS1/16S473J
S 1912	Switch	CSG1107	R 1959		RS1/16S154J
S 1913	Switch	CSG1107	R 1960		RS1/16S223J
S 1914	Push Switch	CSG1111	R 1961		RS1/16S683J
S 1915	Push Switch	CSG1111	R 1962		RS1/16S392J
S 1916	Switch	CSG1110	R 1963		RS1/16S393J
S 1917	Push Switch	CSG1112	R 1980		RS1/16S473J
			R 1991		RS1/16S101J
			R 1992		RS1/16S101J
			R 1993		RS1/16S101J
			R 1994		RS1/16S101J
			R 1995		RS1/16S473J
			R 1996		RS1/16S222J
			R 1997		RS1/16S332J
			R 1998		RS1/16S102J

Circuit Symbol and No.Part No.

R 1999 RS1/16S102J
 R 2104 RS1/16S101J
 R 2105 RS1/16S101J
 R 2106 RS1/16S101J
 R 2107 RS1/16S101J

R 2108 RS1/16S101J
 R 2109 RS1/16S101J
 R 2110 RS1/16S101J
 R 2111 RS1/16S101J
 R 2112 RS1/16S102J

R 2113 RS1/16S102J
 R 2114 RS1/16S102J
 R 2115 RS1/16S102J

CAPACITORS

C 1908 CKSYF106Z10
 C 1909 CSZSR4R7M16
 C 1910 CSZSR4R7M10
 C 1911 CKSRYB104K16
 C 1912 CKSRYB104K16

C 1913 CKSRYB104K16
 C 1914 CKSRYB104K16
 C 1917 CKSRYB104K16
 C 1918 CKSRYB104K16
 C 1919 CKSRYB104K16

C 1920 CKSRYB104K16
 C 1940 CKSRYB103K50
 C 1941 CKSRYB473K25
 C 1942 CKSRYB105K10
 C 1943 CKSRYB103K50

C 1944 CSZSR4R7M10
 C 1972 CKSRYB104K16
 C 1973 CKSRYB104K25
 C 1974 CKSRYB104K25
 C 1975 CKSRYB104K25

C 1976 CKSRYB104K25
 C 1990 CKSRYB103K50
 C 1991 CKSRYB104K25
 C 1992 CKSRYB104K25

B**Unit Number:CWM8758****Unit Name:Panel Unit**MISCELLANEOUS

D 1970 LED CL220PGC
 S 1970 Push Switch(EJECT) CSG1112

RESISTORS

R 1970 RS1/16S101J
 R 1971 RS1/16S101J
 R 1972 RS1/16S0R0J

CAPACITORS

C 1970 CKSRYB104K16

DCircuit Symbol and No.Part No.

Unit Number:CWX2947
Unit Name:CD Core Unit(S10)

MISCELLANEOUS

IC 201 IC UPD63712AGC
 IC 301 IC BA5835FP
 IC 701 IC NJM2391DL1-33
 Q 101 Transistor 2SB1132
 D 101 Diode 1S3355

D 701 Diode 1SR154-400
 X 201 Ceramic Resonator 16.934MHzCSS1603
 S 901 Switch(HOME) CSN1051
 S 902 Switch(CLAMP) CSN1051
 S 903 Spring Switch(DSCSNS) CSN1052

S 904 Switch(12EJ) CSN1051
 S 905 Switch(8EJ) CSN1051

RESISTORS

R 101 RS1/10S1R5J
 R 102 RS1/10S1R5J
 R 103 RS1/10S1R5J
 R 104 RS1/10S1R5J
 R 105 RS1/10S1R5J

R 201 RS1/16S102J
 R 202 RS1/16S1002D
 R 203 RS1/16S1002D
 R 204 RS1/16S1002D
 R 205 RS1/16S1002D

R 206 RS1/16S1002D
 R 207 RS1/16S1002D
 R 208 RS1/16S1002D
 R 209 RS1/16S1002D
 R 214 RS1/16S103J

R 215 RS1/16S393J
 R 216 RS1/16S122J
 R 217 RS1/16S562J
 R 218 RS1/16S472J
 R 234 RS1/16S0R0J

R 235 RS1/16S103J
 R 236 RS1/16S103J
 R 301 RS1/16S183J
 R 302 RS1/16S822J
 R 303 RS1/16S183J

R 304 RS1/16S822J
 R 305 RS1/16S183J
 R 306 RS1/16S183J
 R 307 RS1/16S183J
 R 308 RS1/16S183J

R 501 RS1/16S102J
 R 503 RS1/16S102J
 R 505 RS1/16S102J
 R 506 RS1/16S221J
 R 507 RS1/16S221J

R 508 RS1/16S221J
 R 509 RS1/16S221J
 R 601 RS1/16S101J
 R 602 RS1/16S101J
 R 603 RS1/16S0R0J

<u>Circuit Symbol and No.</u>	<u>Part No.</u>
R 901	RS1/16S104J
R 902	RS1/16S473J
R 903	RS1/16S273J

CAPACITORS

C 101		CKSRYB104K16
C 102		CKSRYB104K16
C 103	100 μ F/16V	CCH1504
C 104	47 μ F/6.3V	CCH1506
C 108		CKSRYB104K16
C 109		CKSRYB104K16
C 201		CKSRYB104K16
C 202		CKSRYB471K50
C 205	22 μ F/6.3V	CCH1507
C 206		CKSRYB103K25
C 207		CKSRYB104K16
C 209		CKSRYB104K16
C 210		CKSRYB104K16
C 211		CKSRYB104K16
C 212		CKSRYB104K16
C 213		CKSRYB332K50
C 214		CKSRYB473K25
C 215		CKSRYB104K16
C 216		CKSRYB103K25
C 217		CCSRCH560J50
C 218		CCSRCH5R0C50
C 219		CKSRYB104K16
C 220		CKSRYB104K16
C 221		CKSRYB104K16
C 222		CKSRYB103K25
C 223		CCSRCH680J50
C 224		CCSRCH470J50
C 225		CKSRYB682K50
C 231		CKSRYB102K50
C 232		CKSRYB102K50
C 301	100 μ F/16V	CCH1504
C 302		CCSRCH221J50
C 303		CCSRCH221J50
C 304		CKSRYB472K50
C 305		CKSRYB103K25
C 306		CKSRYB104K16
C 501		CKSRYB103K25
C 502		CKSRYB103K25
C 702	100 μ F/16V	CCH1504
C 703		CKSRYB104K16
C 705	10 μ F/6.3V	CCH1470

Miscellaneous Parts List

M 1	Pickup Unit(P10)(Service)	CXX1641
M 1	Motor Unit(SPINDLE)	CXB6007
M 2	Motor Unit(LOADING/CARRIAGE)	CXB8933