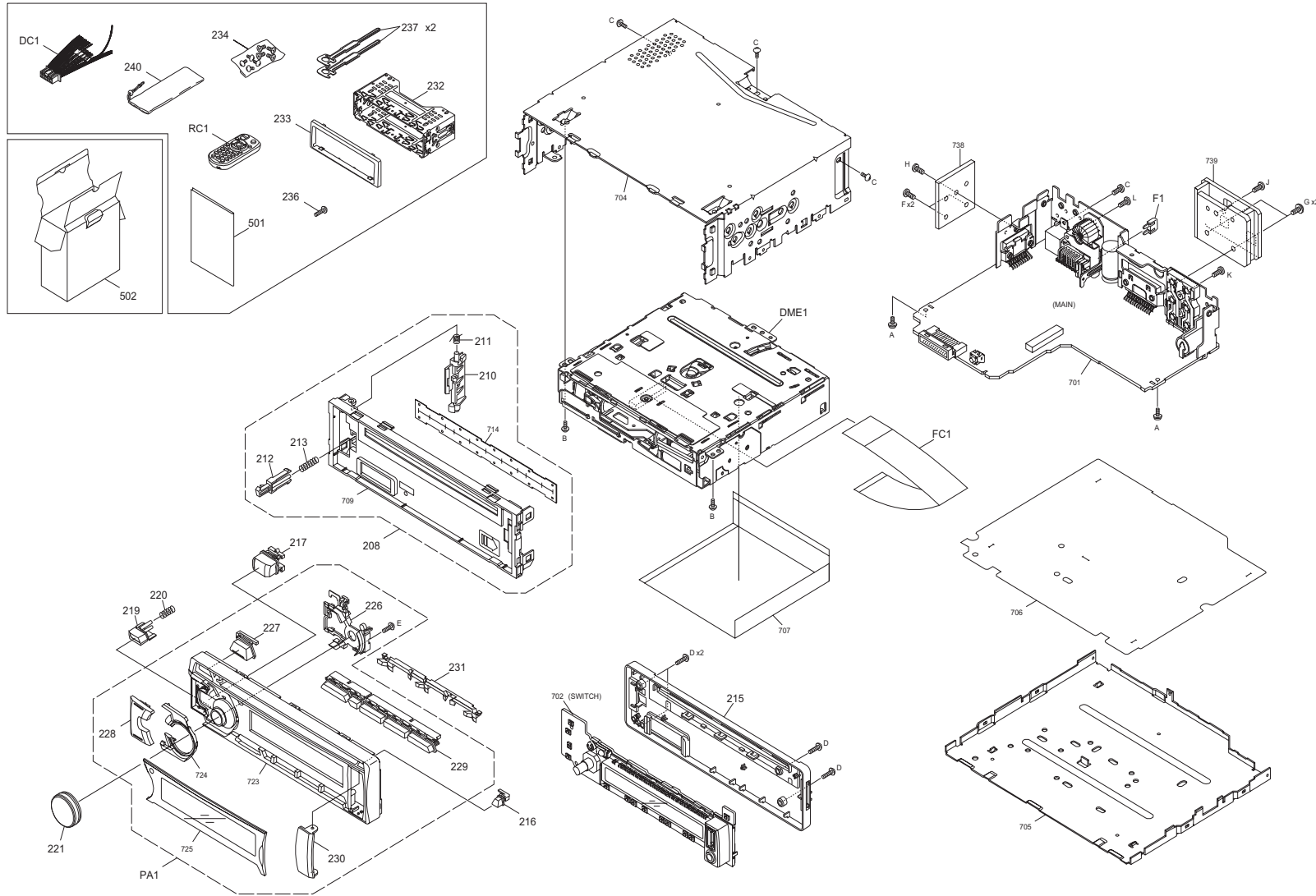


EXPLODED VIEW (UNIT)

Block No.200



Parts with the exploded numbers larger than 700 are not supplied.

MODEL	MARK
KDC-X397	

Safe	Symbol No.	Parts No.	Parts Name	Description	QTY	Local
EXPLODED VIEW (UNIT) <200>						
	DC1	QAM1336-001	DC CORD		1	
	DME1	X92-6740-00	MECHANISM ASSY (HCS-1100W)		1	
△	F1	QMFZ064-100-J1	FUSE	10A	1	
	FC1	WJT0307-001A-E	E-CARD WIRE		1	
	PA1	GE20325-001A	F. PANEL ASSY		1	
	RC1	QAL1303-004	REMOTE CONTROL UNIT (RC-406)		1	
	A	GE40377-002A	SCREW		2	
	B	QYSDST2604ZA	TAP SCREW	M2.6 x 4mm	2	
	C	QYSDST2606ZA	TAP SCREW	M2.6 x 6mm	4	
	D	QYSPSF2008ZA	TAP SCREW	M2 x 8mm	4	
	E	QYSPSF2006ZA	TAP SCREW	M2 x 6mm	1	
	F	GE40662-001A	SPECIAL SCREW		2	
	G	GE40377-005A	SPECIAL SCREW		2	
	H	QYSDST2608ZA	TAP SCREW	M2.6 x 8mm	1	
	J	QYSDST2610ZA	TAP SCREW	M2.6 x 10mm	1	
	K	QYSDSF2608ZA	TAP SCREW	M2.6 x 8mm	1	
	L	QYSDSG3006ZA	TAP SCREW	M3 x 6mm	1	
	208	GE35081-001A	F.CHASSIS ASSY		1	
	210	GE35078-001A	LOCK LEVER		1	
	211	GE40504-001A	SPRING		1	
	212	GE35079-001A	RELEASE LEVER		1	
	213	GE40505-001A	SPRING		1	
	215	GE10352-001A	REAR COVER		1	
	216	GE35088-001A	EJECT BUTTON		1	
	217	GE40640-001A	KNOB ASSY (ACC IPOD)		1	
	219	GE35102-001A	DETACH BUTTON		1	
	220	GE40505-002A	SPRING		1	
	221	GE40636-003A	VOL KNOB RUBBER		1	
	226	GE20322-001A	LIGHT GUIDE (USB)		1	
	227	GE35097-001A	SRC BUTTON		1	
	228	GE35094-001A	SEARCH BTN		1	
	229	GE20321-001A	PRESET BTN		1	
	230	GE35089-001A	USB DOOR COVER		1	
	231	GE35092-001A	LIGHTING LENS		1	
	232	GE34826-002A	M.SLEEVE ASSY		1	
	233	GE20291-001A	TRIM PLATE		1	
	234	GE40536-001A	SCREW SET		1	
	236	QYSPSF2008MA	TAP SCREW	M2 x 8mm	1	
	237	GE40578-002A	HOOK		2	
	240	GE40520-001A	CARRYING CASE		1	
	501	GET0847-001A	INST BOOK	ENG FRE SPA	1	
	502	GE35334-002A	INNER CARTON		1	

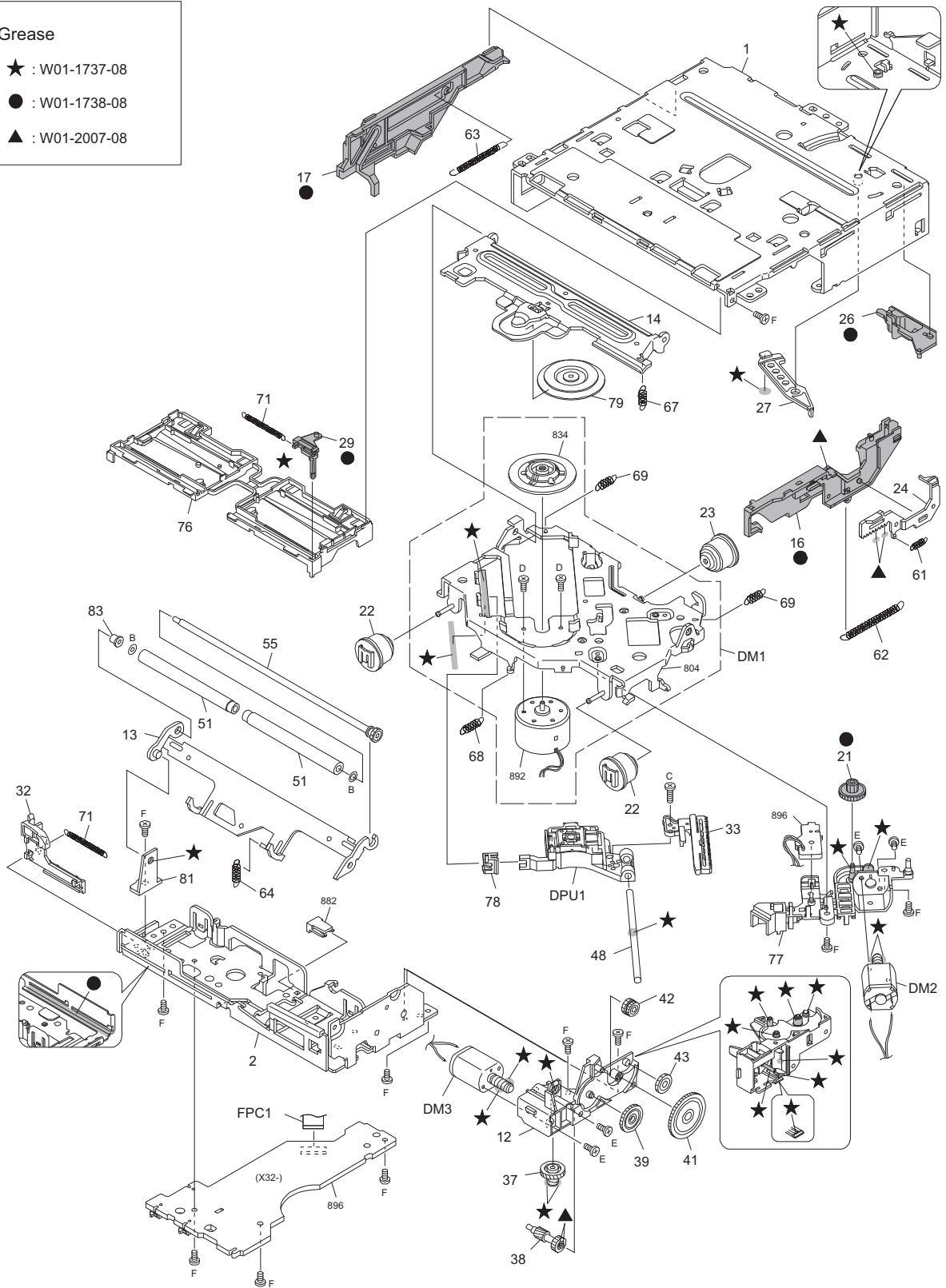
EXPLODED VIEW (CD MECHANISM)

Block No.130

HCS-1100W

Grease

- ★ : W01-1737-08
- : W01-1738-08
- ▲ : W01-2007-08



Parts with the exploded numbers larger than 800 are not supplied.

MODEL	MARK
KDC-X397	

Safe	Symbol No.	Parts No.	Parts Name	Description	QTY	Local
------	------------	-----------	------------	-------------	-----	-------

EXPLODED VIEW (CD MECHANISM) <130>

DM1	X94-2150-00		SPINDLE MOTOR ASSY		1	
DM2	X94-2160-00		FEED MOTOR ASSY		1	
DM3	X94-2170-00		LOADING MOTOR ASSY		1	
DPU1	QAL1226-001		PICK UP		1	
FPC1	QAL0817-003		FPC		1	
B	LV45449-001A		WASHER		2	
C	QYSPSGT1745ZA		TAP SCREW	M1.7 x 4.5mm	1	
D	LV45568-001A		MINI SCREW		2	
E	QYSPSPT2025MA		SCREW	M2 x 2.5mm	4	
F	VKZ4539-054		MINI SCREW		11	
1	LV11685-503A		TOP FRAME		1	
2	LV11686-501A		BOTTOM FRAME		1	
12	LV11688-501A		LOADING BASE		1	
13	LV11690-501A		ROLLER ARM		1	
14	LV22825-502A		HC CLAMPER BASE		1	
16	LV22826-502A		LOAD CAM		1	
17	LV22827-501A		FL SLIDER(L)		1	
21	LV36815-501A		F WHEEL GEAR		1	
22	LV36904-001A		DAMPER		2	
23	LV37061-001A		DAMPER		1	
24	LV38951-501A		TRIGGER RACK		1	
26	LV38952-501A		FL SLIDER(B)		1	
27	LV38953-501A		TRIGGER PLATE		1	
29	LV38957-501A		SW SLIDER(R)		1	
32	LV39496-502A		SW ACTUATOR (2)		1	
33	LV38960-501A		FEED RACK		1	
37	LV38964-501A		D.WHEEL GEAR		1	
38	LV38965-501A		ACT GEAR(1)		1	
39	LV38966-501A		ACT GEAR(2)		1	
41	LV38967-501A		ACT GEAR(3)		1	
42	LV38968-501A		ROLLER ACT GEAR		1	
43	LV38969-501A		DRIVE GEAR		1	
48	LV44555-001A		MAIN SHAFT		1	
51	LV45424-001A		HC ROLLER		2	
55	X94-2190-00		ROLLER SHAFT ASSY		1	
61	LV45415-501A		TRIGGER SPRING		1	
62	LV45416-501A		LOAD CAM SPRING		1	
63	LV45417-501A		FL SLIDER SPRING		1	
64	LV45418-501A		R.ARM SPRING		1	
67	LV45421-501A		HC CL SPRING		1	
68	LV45422-501A		SUS SPRING(F)		1	
69	LV45423-501A		SUS SPRING(B)		2	
71	LV45505-502A		SW ACT SPRING		2	
76	LV11689-501A		DISC GUIDE		1	
77	LV22828-501A		FEED BRACKET		1	
78	LV36813-501A		SUB GUIDE CAP		1	
79	LV36819-502A		CLAMPER		1	
81	LV38954-501A		R.ARM GUIDE		1	
83	LV45648-501A		RA COLLAR (L) 2		1	

MODEL	MARK
KDC-X397	

Safe	Symbol No.	Parts No.	Parts Name	Description	QTY	Local
ELECTRIC UNIT (X34-7410-10) <X34>						
△	IC1	TEF6614TV1S4-X	IC(ANALOGUE)		1	
	IC80	MFI337S3959-X	IC(MICROPROCESSOR)		1	
	IC161	TDA7720B-X	IC(ANALOGUE)		1	
△	IC301	TB2931HQ	IC(ANALOGUE)		1	
△	IC501	LV8281VR-X	IC(MOS-IC)		1	
	IC530	BU33TD3WG-W	IC(ANALOGUE)		1	
	IC531	BU15TD3WG-W	IC(ANALOGUE)		1	
	IC532	BU15TD3WG-W	IC(ANALOGUE)		1	
△	IC540	JCV8023	IC(MOS-IC)		1	
△	IC701	W10-0827-08	IC(MCU)		1	
	IC702	BU4828F-W	IC(MOS-IC)		1	
	IC771	BR24T02FJ-W-X	IC(ROM)		1	
	IC801	TC7SH08FU-X	IC(MOS-IC)		1	
	IC802	TC7SET08FU-J-X	IC(MOS-IC)		1	
△	IC901	LV5680NPVC	IC(ANALOGUE)		1	
	IC931	XC6213B332NG-X	IC(ANALOGUE)		1	
	IC981	BD9673EFJ-X	IC(MOS-IC)		1	
	Q251	IMX9-W	PAIR TRANSISTOR		1	
	Q321	IMX9-W	PAIR TRANSISTOR		1	
	Q341	IMX9-W	PAIR TRANSISTOR		1	
	Q540	2SA2188/F-X	TRANSISTOR		1	
	Q701	LTA014YUB-X	DIGI TRANSISTOR		1	
	Q780	LTA024EUB-X	DIGI TRANSISTOR		1	
	Q781	LTC024EUB-X	DIGI TRANSISTOR		1	
	Q782	LTA024EUB-X	DIGI TRANSISTOR		1	
	Q910	2SA2188/F-X	TRANSISTOR		1	
	Q911	LSCR523UB-X	TRANSISTOR		1	
	Q951	2SA812/5-6/-X	TRANSISTOR		1	
	Q952	LTC044EUB-X	DIGI TRANSISTOR		1	
	Q970	LSCR523UB-X	TRANSISTOR		1	
	Q971	LSCR523UB-X	TRANSISTOR		1	
	D1	NAF0029-002X	ESD SUPPRESSOR		1	
	D100	RKZ6.2B2KG-X	Z DIODE		1	
	D101	RKZ6.2B2KG-X	Z DIODE		1	
	D110	RKZ6.2B2KG-X	Z DIODE		1	
	D111	RKZ6.2B2KG-X	Z DIODE		1	
	D251	BAW56-TP-X	SI DIODE		1	
	D321	BAW56-TP-X	SI DIODE		1	
	D341	BAW56-TP-X	SI DIODE		1	
	D502	GS1J-LTP-X	SI DIODE		1	
	D540	RKS801KF-X	SI DIODE		1	
	D704	RKZ6.2B2KG-X	Z DIODE		1	
	D780	BAW56-TP-X	SI DIODE		1	
	D781	BAW56-TP-X	SI DIODE		1	
	D782	RKS801KF-X	SI DIODE		1	
	D783	BAW56-TP-X	SI DIODE		1	
	D891	BAW56-TP-X	SI DIODE		1	
△	D901	1N5401-BPC04	SI DIODE		1	
	D902	MBRX130-TP-X	SB DIODE		1	
	D941	MBRX130-TP-X	SB DIODE		1	
	D942	MBRX130-TP-X	SB DIODE		1	
	D970	RKZ6.8B2KG-X	Z DIODE		1	
	D971	RKZ6.8B2KG-X	Z DIODE		1	
	D981	DB22306-X	SB DIODE		1	
	C1	NCB31HK-102X	C CAPACITOR	1000pF 50V K	1	
	C2	NDC31HJ-7R0X	C CAPACITOR	7pF 50V J	1	
	C3	NCB31HK-102X	C CAPACITOR	1000pF 50V K	1	
	C4	NCB31CK-224X	C CAPACITOR	0.22uF 16V K	1	
	C5	NDC31HJ-150X	C CAPACITOR	15pF 50V J	1	
	C6	NDC31HJ-6R0X	C CAPACITOR	6pF 50V J	1	
	C7	NDC31HJ-270X	C CAPACITOR	27pF 50V J	1	
	C10	NCB21CK-105X	C CAPACITOR	1uF 16V K	1	
	C11	NCB31HK-103X	C CAPACITOR	0.01uF 50V K	1	
	C12	NCB31HK-103X	C CAPACITOR	0.01uF 50V K	1	
	C13	NCB21CK-105X	C CAPACITOR	1uF 16V K	1	
	C14	NCB31CK-224X	C CAPACITOR	0.22uF 16V K	1	
	C15	NCB31HK-104X	C CAPACITOR	0.1uF 50V K	1	
	C16	NCB31HK-103X	C CAPACITOR	0.01uF 50V K	1	
	C17	NCB31HK-104X	C CAPACITOR	0.1uF 50V K	1	
	C18	NCB31HK-103X	C CAPACITOR	0.01uF 50V K	1	
	C19	NCB31HK-104X	C CAPACITOR	0.1uF 50V K	1	
	C20	NDC31HJ-120X	C CAPACITOR	12pF 50V J	1	
	C21	NCB31HK-104X	C CAPACITOR	0.1uF 50V K	1	
	C22	NCB31HK-104X	C CAPACITOR	0.1uF 50V K	1	
	C23	NCB31HK-104X	C CAPACITOR	0.1uF 50V K	1	
	C24	QEKJ1CM-107Z	E CAPACITOR	100uF 16V M	1	
	C26	NDC31HJ-471X	C CAPACITOR	470pF 50V J	1	
	C27	NDC31HJ-2R0X	C CAPACITOR	2pF 50V J	1	
	C28	NDC31HJ-100X	C CAPACITOR	10pF 50V J	1	
	C80	NCB31HK-104X	C CAPACITOR	0.1uF 50V K	1	
	C101	NCB31CK-105X	C CAPACITOR	1uF 16V K	1	
	C102	NCB31CK-105X	C CAPACITOR	1uF 16V K	1	
	C111	NCB31CK-105X	C CAPACITOR	1uF 16V K	1	
	C112	NCB31HK-104X	C CAPACITOR	0.1uF 50V K	1	
	C160	QEKJ1EM-106Z	E CAPACITOR	10uF 25V M	1	
	C161	NCB31AK-105X	C CAPACITOR	1uF 10V K	1	
	C162	QERF1HM-475Z	E CAPACITOR	4.7uF 50V M	1	
	C166	NCB31HK-104X	C CAPACITOR	0.1uF 50V K	1	
	C168	NCB31HK-104X	C CAPACITOR	0.1uF 50V K	1	
	C170	NCB31CK-105X	C CAPACITOR	1uF 16V K	1	
	C172	QEKJ1CM-107Z	E CAPACITOR	100uF 16V M	1	

MODEL	MARK
KDC-X397	

Safe	Symbol No.	Parts No.	Parts Name	Description	QTY	Local
	C173	NCB31AK-105X	C CAPACITOR	1uF 10V K	1	
	C174	QERF1HM-475Z	E CAPACITOR	4.7uF 50V M	1	
	C175	NCB31CK-105X	C CAPACITOR	1uF 16V K	1	
	C177	NCB31AK-105X	C CAPACITOR	1uF 10V K	1	
	C251	QEKJ1HM-106Z	E CAPACITOR	10uF 50V M	1	
	C252	QEKJ1HM-106Z	E CAPACITOR	10uF 50V M	1	
	C253	NDC31HJ-101X	C CAPACITOR	100pF 50V J	1	
	C254	NDC31HJ-101X	C CAPACITOR	100pF 50V J	1	
	C305	NCB21CK-224X-A	C CAPACITOR	0.22uF 16V K	1	
	C306	NCB21CK-224X-A	C CAPACITOR	0.22uF 16V K	1	
	C307	NCB21CK-224X-A	C CAPACITOR	0.22uF 16V K	1	
	C308	NCB21CK-224X-A	C CAPACITOR	0.22uF 16V K	1	
	C309	QEKJ1EM-106Z	E CAPACITOR	10uF 25V M	1	
	C311	NCB31HK-223X	C CAPACITOR	0.022uF 50V K	1	
	C312	NCB31HK-223X	C CAPACITOR	0.022uF 50V K	1	
	C313	NCB21AK-105X-A	C CAPACITOR	1uF 10V K	1	
	C314	NCB31AK-105X	C CAPACITOR	1uF 10V K	1	
	C315	NCB31AK-105X	C CAPACITOR	1uF 10V K	1	
	C320	QEKJ1HM-106Z	E CAPACITOR	10uF 50V M	1	
	C321	NDC31HJ-101X	C CAPACITOR	100pF 50V J	1	
	C330	QEKJ1HM-106Z	E CAPACITOR	10uF 50V M	1	
	C331	NDC31HJ-101X	C CAPACITOR	100pF 50V J	1	
	C340	QEKJ1HM-106Z	E CAPACITOR	10uF 50V M	1	
	C341	NDC31HJ-101X	C CAPACITOR	100pF 50V J	1	
	C350	QEKJ1HM-106Z	E CAPACITOR	10uF 50V M	1	
	C351	NDC31HJ-101X	C CAPACITOR	100pF 50V J	1	
	C368	NCB31HK-103X	C CAPACITOR	0.01uF 50V K	1	
	C501	NCB31HK-104X	C CAPACITOR	0.1uF 50V K	1	
	C504	NCB31HK-104X	C CAPACITOR	0.1uF 50V K	1	
	C505	NCB31HK-473X	C CAPACITOR	0.047uF 50V K	1	
	C506	NCB31CK-224X	C CAPACITOR	0.22uF 16V K	1	
	C507	NCB31HK-104X	C CAPACITOR	0.1uF 50V K	1	
	C513	NCB31HK-104X	C CAPACITOR	0.1uF 50V K	1	
	C514	QERF1AM-107Z	E CAPACITOR	100uF 10V M	1	
	C530	NCB31AK-105X	C CAPACITOR	1uF 10V K	1	
	C531	NCB31HK-104X	C CAPACITOR	0.1uF 50V K	1	
	C532	NCB31CK-105X	C CAPACITOR	1uF 16V K	1	
	C533	NCB31HK-104X	C CAPACITOR	0.1uF 50V K	1	
	C534	NCB31HK-104X	C CAPACITOR	0.1uF 50V K	1	
	C535	NCB31HK-104X	C CAPACITOR	0.1uF 50V K	1	
	C540	NCB31HK-104X	C CAPACITOR	0.1uF 50V K	1	
	C541	NCB31HK-222X	C CAPACITOR	2200pF 50V K	1	
	C542	NCB31HK-104X	C CAPACITOR	0.1uF 50V K	1	
	C543	NCB31HK-103X	C CAPACITOR	0.01uF 50V K	1	
	C544	NCB31HK-332X	C CAPACITOR	3300pF 50V K	1	
	C545	NCB31HK-104X	C CAPACITOR	0.1uF 50V K	1	
	C546	NCB31CK-105X	C CAPACITOR	1uF 16V K	1	
	C547	NCB31HK-153X	C CAPACITOR	0.015uF 50V K	1	
	C548	NDC31HJ-680X	C CAPACITOR	68pF 50V J	1	
	C549	NCB31HK-104X	C CAPACITOR	0.1uF 50V K	1	
	C550	NCB20JK-106X-R	C CAPACITOR	10uF 6.3V K	1	
	C551	NCB31HK-104X	C CAPACITOR	0.1uF 50V K	1	
	C552	NCB31HK-333X	C CAPACITOR	0.033uF 50V K	1	
	C553	NCB31HK-472X	C CAPACITOR	4700pF 50V K	1	
	C554	NDC31HJ-331X	C CAPACITOR	330pF 50V J	1	
	C555	NDC31HJ-681X	C CAPACITOR	680pF 50V J	1	
	C556	NCB31CK-683X	C CAPACITOR	0.068uF 16V K	1	
	C557	NCB31HK-333X	C CAPACITOR	0.033uF 50V K	1	
	C558	NCB31HK-104X	C CAPACITOR	0.1uF 50V K	1	
	C559	NCB31HK-104X	C CAPACITOR	0.1uF 50V K	1	
	C561	NCB20JK-106X	C CAPACITOR	10uF 6.3V K	1	
	C562	NCB20JK-106X	C CAPACITOR	10uF 6.3V K	1	
	C564	NCB31HK-104X	C CAPACITOR	0.1uF 50V K	1	
	C565	NCB31HK-104X	C CAPACITOR	0.1uF 50V K	1	
	C566	NCB31HK-104X	C CAPACITOR	0.1uF 50V K	1	
	C567	NCB31CK-105X	C CAPACITOR	1uF 16V K	1	
	C568	NCB31HK-104X	C CAPACITOR	0.1uF 50V K	1	
	C569	NCB31HK-104X	C CAPACITOR	0.1uF 50V K	1	
	C570	NCB31HK-104X	C CAPACITOR	0.1uF 50V K	1	
	C571	NDC31HJ-470X	C CAPACITOR	47pF 50V J	1	
	C572	NCB31HK-153X	C CAPACITOR	0.015uF 50V K	1	
	C573	NCB31HK-104X	C CAPACITOR	0.1uF 50V K	1	
	C574	NCB31HK-103X	C CAPACITOR	0.01uF 50V K	1	
	C576	NCB31HK-152X	C CAPACITOR	1500pF 50V K	1	
	C582	NDC31HJ-102X	C CAPACITOR	1000pF 50V J	1	
	C583	NDC31HJ-102X	C CAPACITOR	1000pF 50V J	1	
	C592	NDC31HJ-101X	C CAPACITOR	100pF 50V J	1	
	C593	NDC31HJ-101X	C CAPACITOR	100pF 50V J	1	
	C701	NDC31HJ-180X	C CAPACITOR	18pF 50V J	1	
	C702	NDC31HJ-180X	C CAPACITOR	18pF 50V J	1	
	C703	NCB31HK-103X	C CAPACITOR	0.01uF 50V K	1	
	C704	QEKJ1CM-107Z	E CAPACITOR	100uF 16V M	1	
	C705	NCB31HK-104X	C CAPACITOR	0.1uF 50V K	1	
	C706	NCB31HK-104X	C CAPACITOR	0.1uF 50V K	1	
	C708	NCB31HK-104X	C CAPACITOR	0.1uF 50V K	1	
	C709	NCB31CK-474X	C CAPACITOR	0.47uF 16V K	1	
	C711	NCB31HK-104X	C CAPACITOR	0.1uF 50V K	1	
	C712	NCB31HK-104X	C CAPACITOR	0.1uF 50V K	1	
	C713	NCB31HK-104X	C CAPACITOR	0.1uF 50V K	1	
	C714	NCB31HK-104X	C CAPACITOR	0.1uF 50V K	1	
	C715	NCB31HK-104X	C CAPACITOR	0.1uF 50V K	1	
	C716	NCB31HK-104X	C CAPACITOR	0.1uF 50V K	1	

MODEL	MARK
KDC-X397	

Safe	Symbol No.	Parts No.	Parts Name	Description	QTY	Local
	C717	NCB31HK-104X	C CAPACITOR	0.1uF 50V K	1	
	C718	NCB31CK-474X	C CAPACITOR	0.47uF 16V K	1	
	C722	NCB31HK-103X	C CAPACITOR	0.01uF 50V K	1	
	C723	NCB31HK-473X	C CAPACITOR	0.047uF 50V K	1	
	C724	NDC31HJ-8R0X	C CAPACITOR	8pF 50V J	1	
	C725	NDC31HJ-8R0X	C CAPACITOR	8pF 50V J	1	
	C728	NCB31HK-103X	C CAPACITOR	0.01uF 50V K	1	
	C729	NCB20JK-106X-R	C CAPACITOR	10uF 6.3V K	1	
	C731	NCB31HK-104X	C CAPACITOR	0.1uF 50V K	1	
	C733	NCB10JK-106X-A	C CAPACITOR	10uF 6.3V K	1	
	C741	NCB10JK-106X-A	C CAPACITOR	10uF 6.3V K	1	
	C742	NCB31HK-102X	C CAPACITOR	1000pF 50V K	1	
	C746	NCB31HK-102X	C CAPACITOR	1000pF 50V K	1	
	C748	NCB31HK-103X	C CAPACITOR	0.01uF 50V K	1	
	C796	NDC31HJ-3R0X	C CAPACITOR	3pF 50V J	1	
	C801	NCB31CK-105X	C CAPACITOR	1uF 16V K	1	
	C802	NCB31CK-105X	C CAPACITOR	1uF 16V K	1	
	C803	NCB31CK-105X	C CAPACITOR	1uF 16V K	1	
	C804	NCB31HK-103X	C CAPACITOR	0.01uF 50V K	1	
	C805	NCB31HK-103X	C CAPACITOR	0.01uF 50V K	1	
	C807	NCB31HK-104X	C CAPACITOR	0.1uF 50V K	1	
	C808	NCB31HK-103X	C CAPACITOR	0.01uF 50V K	1	
	C809	NCB31HK-103X	C CAPACITOR	0.01uF 50V K	1	
	C891	NCB31HK-104X	C CAPACITOR	0.1uF 50V K	1	
	C901	QEZ0934-338	E CAPACITOR	3300uF	1	
	C903	QEKJ1CM-476Z	E CAPACITOR	47uF 16V M	1	
	C904	QEKJ1CM-476Z	E CAPACITOR	47uF 16V M	1	
	C905	NCB31HK-104X	C CAPACITOR	0.1uF 50V K	1	
	C906	QEKJ1CM-107Z	E CAPACITOR	100uF 16V M	1	
	C907	QERF0JM-337Z	E CAPACITOR	330uF 6.3V M	1	
	C909	NCB31HK-103X	C CAPACITOR	0.01uF 50V K	1	
	C910	QEKJ1EM-106Z	E CAPACITOR	10uF 25V M	1	
	C912	NCB31HK-104X	C CAPACITOR	0.1uF 50V K	1	
	C913	QERF0JM-337Z	E CAPACITOR	330uF 6.3V M	1	
	C915	NCB31CK-474X	C CAPACITOR	0.47uF 16V K	1	
	C916	QEKJ1EM-106Z	E CAPACITOR	10uF 25V M	1	
	C917	NCB10JK-106X-A	C CAPACITOR	10uF 6.3V K	1	
	C920	NDC31HJ-471X	C CAPACITOR	470pF 50V J	1	
	C921	NDC31HJ-471X	C CAPACITOR	470pF 50V J	1	
	C922	NDC31HJ-471X	C CAPACITOR	470pF 50V J	1	
	C923	NDC31HJ-471X	C CAPACITOR	470pF 50V J	1	
	C924	NDC31HJ-471X	C CAPACITOR	470pF 50V J	1	
	C925	NDC31HJ-471X	C CAPACITOR	470pF 50V J	1	
	C926	NDC31HJ-471X	C CAPACITOR	470pF 50V J	1	
	C927	NDC31HJ-471X	C CAPACITOR	470pF 50V J	1	
	C931	NCB31HK-104X	C CAPACITOR	0.1uF 50V K	1	
	C932	QERF0JM-337Z	E CAPACITOR	330uF 6.3V M	1	
	C933	NCB31HK-104X	C CAPACITOR	0.1uF 50V K	1	
	C941	NCB31HK-104X	C CAPACITOR	0.1uF 50V K	1	
	C954	NCB31HK-104X	C CAPACITOR	0.1uF 50V K	1	
	C963	QERF1AM-107Z	E CAPACITOR	100uF 10V M	1	
	C981	NCB10JK-106X-A	C CAPACITOR	10uF 6.3V K	1	
	C983	NCB31HK-682X	C CAPACITOR	6800pF 50V K	1	
	C984	NCB31HK-104X	C CAPACITOR	0.1uF 50V K	1	
	C985	NCJ11EK-106X-R	C CAPACITOR	10uF 25V	1	
	C987	NCB10JK-106X-A	C CAPACITOR	10uF 6.3V K	1	
	C989	NCJ11EK-106X-R	C CAPACITOR	10uF 25V	1	
	C990	NCB31HK-104X	C CAPACITOR	0.1uF 50V K	1	
	R1	NRSA63J-684X	MG RESISTOR	680kΩ 1/16W J	1	
	R2	NRSA63J-684X	MG RESISTOR	680kΩ 1/16W J	1	
	R4	NRSA63J-472X	MG RESISTOR	4.7kΩ 1/16W J	1	
	R6	NRSA63J-221X	MG RESISTOR	220Ω 1/16W J	1	
	R7	NRSA63J-221X	MG RESISTOR	220Ω 1/16W J	1	
	R8	NRS181J-220X	MG RESISTOR	22Ω 1/8W J	1	
	R100	NRSA02J-101X	MG RESISTOR	100Ω 1/10W J	1	
	R101	NRSA63J-473X	MG RESISTOR	47kΩ 1/16W J	1	
	R102	NRSA02J-0R0X	MG RESISTOR	0Ω 1/10W J	1	
	R110	NRSA02J-101X	MG RESISTOR	100Ω 1/10W J	1	
	R111	NRSA63J-473X	MG RESISTOR	47kΩ 1/16W J	1	
	R112	NRSA63J-471X	MG RESISTOR	470Ω 1/16W J	1	
	R151	NRSA63J-0R0X	MG RESISTOR	0Ω 1/10W J	1	
	R161	NRSA63J-103X	MG RESISTOR	10kΩ 1/16W J	1	
	R162	NRSA63J-0R0X	MG RESISTOR	0Ω 1/10W J	1	
	R163	NRS181J-101X	MG RESISTOR	100Ω 1/8W J	1	
	R165	NRS181J-101X	MG RESISTOR	100Ω 1/8W J	1	
	R169	NRS181J-0R0X	MG RESISTOR	0Ω 1/8W J	1	
	R177	NRSA63J-222X	MG RESISTOR	2.2kΩ 1/16W J	1	
	R251	NRSA63J-472X	MG RESISTOR	4.7kΩ 1/16W J	1	
	R252	NRSA63J-472X	MG RESISTOR	4.7kΩ 1/16W J	1	
	R253	NRSA63J-331X	MG RESISTOR	330Ω 1/16W J	1	
	R254	NRSA63J-331X	MG RESISTOR	330Ω 1/16W J	1	
	R255	NRSA63J-223X	MG RESISTOR	22kΩ 1/16W J	1	
	R256	NRSA63J-223X	MG RESISTOR	22kΩ 1/16W J	1	
	R257	NRSA63J-181X	MG RESISTOR	180Ω 1/16W J	1	
	R258	NRSA63J-181X	MG RESISTOR	180Ω 1/16W J	1	
	R302	NRSA63J-473X	MG RESISTOR	47kΩ 1/16W J	1	
	R304	NRSA63J-0R0X	MG RESISTOR	0Ω 1/10W J	1	
	R307	NRSA63J-0R0X	MG RESISTOR	0Ω 1/10W J	1	
	R308	NRSA63J-222X	MG RESISTOR	2.2kΩ 1/16W J	1	
	R310	NRS181J-5R1X	MG RESISTOR	5.1Ω 1/8W J	1	
	R320	NRSA63J-331X	MG RESISTOR	330Ω 1/16W J	1	
	R321	NRSA63J-223X	MG RESISTOR	22kΩ 1/16W J	1	
	R322	NRSA63J-181X	MG RESISTOR	180Ω 1/16W J	1	

MODEL	MARK
KDC-X397	

Safe	Symbol No.	Parts No.	Parts Name	Description	QTY	Local
	R324	NRSA63J-0R0X	MG RESISTOR	0Ω 1/10W J	1	
	R330	NRSA63J-331X	MG RESISTOR	330Ω 1/16W J	1	
	R331	NRSA63J-223X	MG RESISTOR	22kΩ 1/16W J	1	
	R332	NRSA63J-181X	MG RESISTOR	180Ω 1/16W J	1	
	R334	NRSA63J-0R0X	MG RESISTOR	0Ω 1/10W J	1	
	R340	NRSA63J-331X	MG RESISTOR	330Ω 1/16W J	1	
	R341	NRSA63J-223X	MG RESISTOR	22kΩ 1/16W J	1	
	R342	NRSA63J-181X	MG RESISTOR	180Ω 1/16W J	1	
	R347	NRSA63J-472X	MG RESISTOR	4.7kΩ 1/16W J	1	
	R349	NRSA63J-472X	MG RESISTOR	4.7kΩ 1/16W J	1	
	R350	NRSA63J-331X	MG RESISTOR	330Ω 1/16W J	1	
	R351	NRSA63J-223X	MG RESISTOR	22kΩ 1/16W J	1	
	R352	NRSA63J-181X	MG RESISTOR	180Ω 1/16W J	1	
	R357	NRSA63J-472X	MG RESISTOR	4.7kΩ 1/16W J	1	
	R358	NRSA63J-472X	MG RESISTOR	4.7kΩ 1/16W J	1	
	R400	NRZ0084-0R0X	METAL GLAZE RESISTOR	0Ω	1	
	R401	NRZ0084-0R0X	METAL GLAZE RESISTOR	0Ω	1	
	R402	NRS181J-0R0X	MG RESISTOR	0Ω 1/8W J	1	
	R403	NRSA63J-0R0X	MG RESISTOR	0Ω 1/10W J	1	
	R404	NRS181J-0R0X	MG RESISTOR	0Ω 1/8W J	1	
	R405	NRZ0084-0R0X	METAL GLAZE RESISTOR	0Ω	1	
	R406	NRZ0084-0R0X	METAL GLAZE RESISTOR	0Ω	1	
	R407	NRSA63J-0R0X	MG RESISTOR	0Ω 1/10W J	1	
	R408	NRS181J-0R0X	MG RESISTOR	0Ω 1/8W J	1	
	R409	NRS181J-0R0X	MG RESISTOR	0Ω 1/8W J	1	
	R411	NRS181J-0R0X	MG RESISTOR	0Ω 1/8W J	1	
	R412	NRS181J-0R0X	MG RESISTOR	0Ω 1/8W J	1	
	R414	NRS181J-0R0X	MG RESISTOR	0Ω 1/8W J	1	
	R416	NRS181J-0R0X	MG RESISTOR	0Ω 1/8W J	1	
	R417	NRSA63J-0R0X	MG RESISTOR	0Ω 1/10W J	1	
	R420	NRSA63J-0R0X	MG RESISTOR	0Ω 1/10W J	1	
	R421	NRS181J-0R0X	MG RESISTOR	0Ω 1/8W J	1	
	R422	NRS181J-0R0X	MG RESISTOR	0Ω 1/8W J	1	
	R501	NRSA63J-114X	MG RESISTOR	110kΩ 1/16W J	1	
	R502	NRSA63J-0R0X	MG RESISTOR	0Ω 1/10W J	1	
	R503	NRSA63J-0R0X	MG RESISTOR	0Ω 1/10W J	1	
	R504	NRSA63J-274X	MG RESISTOR	270kΩ 1/16W J	1	
	R505	NRSA63J-104X	MG RESISTOR	100kΩ 1/16W J	1	
	R506	NRSA63J-303X	MG RESISTOR	30kΩ 1/16W J	1	
	R507	NRSA63J-563X	MG RESISTOR	56kΩ 1/16W J	1	
	R508	NRSA63J-0R0X	MG RESISTOR	0Ω 1/10W J	1	
	R509	NRSA63J-0R0X	MG RESISTOR	0Ω 1/10W J	1	
	R510	NRSA63J-473X	MG RESISTOR	47kΩ 1/16W J	1	
	R511	NRSA63J-133X	MG RESISTOR	13kΩ 1/16W J	1	
	R512	NRSA63J-0R0X	MG RESISTOR	0Ω 1/10W J	1	
	R513	NRSA63J-0R0X	MG RESISTOR	0Ω 1/10W J	1	
	R516	NRSA63J-333X	MG RESISTOR	33kΩ 1/16W J	1	
	R518	NRSA63J-0R0X	MG RESISTOR	0Ω 1/10W J	1	
	R519	NRSA63J-273X	MG RESISTOR	27kΩ 1/16W J	1	
	R530	NRS181J-0R0X	MG RESISTOR	0Ω 1/8W J	1	
	R534	NRSA63J-473X	MG RESISTOR	47kΩ 1/16W J	1	
	R539	NRSA63J-0R0X	MG RESISTOR	0Ω 1/10W J	1	
	R540	NRSA63J-221X	MG RESISTOR	220Ω 1/16W J	1	
	R545	NRSA63J-225X	MG RESISTOR	2.2MΩ 1/16W J	1	
	R547	NRSA63J-4R7X	MG RESISTOR	4.7Ω 1/16W J	1	
	R548	NRSA63J-104X	MG RESISTOR	100kΩ 1/16W J	1	
	R549	NRSA63J-102X	MG RESISTOR	1kΩ 1/16W J	1	
	R550	NRSA63J-472X	MG RESISTOR	4.7kΩ 1/16W J	1	
	R553	NRSA63J-473X	MG RESISTOR	47kΩ 1/16W J	1	
	R554	NRSA02J-4R7X	MG RESISTOR	4.7Ω 1/10W J	1	
	R555	NRSA02J-4R7X	MG RESISTOR	4.7Ω 1/10W J	1	
	R556	NRSA63J-0R0X	MG RESISTOR	0Ω 1/10W J	1	
	R557	NRSA63J-471X	MG RESISTOR	470Ω 1/16W J	1	
	R558	NRSA63J-105X	MG RESISTOR	1MΩ 1/16W J	1	
	R559	NRSA63J-101X	MG RESISTOR	100Ω 1/16W J	1	
	R560	NRSA63J-101X	MG RESISTOR	100Ω 1/16W J	1	
	R561	NRSA63J-101X	MG RESISTOR	100Ω 1/16W J	1	
	R562	NRSA63J-332X	MG RESISTOR	3.3kΩ 1/16W J	1	
	R563	NRSA63J-681X	MG RESISTOR	680Ω 1/16W J	1	
	R564	NRSA63J-681X	MG RESISTOR	680Ω 1/16W J	1	
	R565	NRSA63J-103X	MG RESISTOR	10kΩ 1/16W J	1	
	R566	NRSA63J-103X	MG RESISTOR	10kΩ 1/16W J	1	
	R567	NRSA63J-101X	MG RESISTOR	100Ω 1/16W J	1	
	R568	NRSA63J-101X	MG RESISTOR	100Ω 1/16W J	1	
	R569	NRSA63J-101X	MG RESISTOR	100Ω 1/16W J	1	
	R570	NRSA63J-101X	MG RESISTOR	100Ω 1/16W J	1	
	R571	NRSA63J-103X	MG RESISTOR	10kΩ 1/16W J	1	
	R572	NRSA63J-104X	MG RESISTOR	100kΩ 1/16W J	1	
	R573	NRSA63J-334X	MG RESISTOR	330kΩ 1/16W J	1	
	R574	NRSA63J-153X	MG RESISTOR	15kΩ 1/16W J	1	
	R575	NRSA63J-332X	MG RESISTOR	3.3kΩ 1/16W J	1	
	R576	NRSA63J-103X	MG RESISTOR	10kΩ 1/16W J	1	
	R577	NRSA63J-103X	MG RESISTOR	10kΩ 1/16W J	1	
	R595	NRSA63J-202X	MG RESISTOR	2kΩ 1/16W J	1	
	R596	NRSA63J-202X	MG RESISTOR	2kΩ 1/16W J	1	
	R701	NRSA63J-0R0X	MG RESISTOR	0Ω 1/10W J	1	
	R702	NRSA63J-222X	MG RESISTOR	2.2kΩ 1/16W J	1	
	R703	NRSA63J-911X	MG RESISTOR	910Ω 1/16W J	1	
	R704	NRSA63J-911X	MG RESISTOR	910Ω 1/16W J	1	
	R705	NRSA63J-222X	MG RESISTOR	2.2kΩ 1/16W J	1	

MODEL	MARK
KDC-X397	

Safe	Symbol No.	Parts No.	Parts Name	Description	QTY	Local
	R706	NRSA63J-911X	MG RESISTOR	910Ω 1/16W J	1	
	R709	NRSA63J-911X	MG RESISTOR	910Ω 1/16W J	1	
	R712	NRSA63J-911X	MG RESISTOR	910Ω 1/16W J	1	
	R718	NRSA63J-473X	MG RESISTOR	47kΩ 1/16W J	1	
	R720	NRSA63J-473X	MG RESISTOR	47kΩ 1/16W J	1	
	R721	NRSA63J-105X	MG RESISTOR	1MΩ 1/16W J	1	
	R722	NRSA63J-473X	MG RESISTOR	47kΩ 1/16W J	1	
	R723	NRSA63J-473X	MG RESISTOR	47kΩ 1/16W J	1	
	R725	NRSA63J-473X	MG RESISTOR	47kΩ 1/16W J	1	
	R726	NRSA63J-473X	MG RESISTOR	47kΩ 1/16W J	1	
	R727	NRSA63J-473X	MG RESISTOR	47kΩ 1/16W J	1	
	R728	NRSA63J-473X	MG RESISTOR	47kΩ 1/16W J	1	
	R729	NRSA63J-223X	MG RESISTOR	22kΩ 1/16W J	1	
	R730	NRSA63J-473X	MG RESISTOR	47kΩ 1/16W J	1	
	R731	NRSA63J-473X	MG RESISTOR	47kΩ 1/16W J	1	
	R732	NRSA63J-101X	MG RESISTOR	100Ω 1/16W J	1	
	R735	NRSA63J-473X	MG RESISTOR	47kΩ 1/16W J	1	
	R736	NRSA63J-473X	MG RESISTOR	47kΩ 1/16W J	1	
	R737	NRSA63J-911X	MG RESISTOR	910Ω 1/16W J	1	
	R738	NRSA63J-222X	MG RESISTOR	2.2kΩ 1/16W J	1	
	R739	NRSA63J-103X	MG RESISTOR	10kΩ 1/16W J	1	
	R740	NRS181J-103X	MG RESISTOR	10kΩ 1/8W J	1	
	R741	NRSA63J-103X	MG RESISTOR	10kΩ 1/16W J	1	
	R742	NRSA63J-473X	MG RESISTOR	47kΩ 1/16W J	1	
	R743	NRSA63J-473X	MG RESISTOR	47kΩ 1/16W J	1	
	R745	NRSA63J-101X	MG RESISTOR	100Ω 1/16W J	1	
	R746	NRSA63J-473X	MG RESISTOR	47kΩ 1/16W J	1	
	R747	NRSA63J-243X	MG RESISTOR	24kΩ 1/16W J	1	
	R749	NRSA63J-222X	MG RESISTOR	2.2kΩ 1/16W J	1	
	R750	NRSA63J-222X	MG RESISTOR	2.2kΩ 1/16W J	1	
	R751	NRSA63J-223X	MG RESISTOR	22kΩ 1/16W J	1	
	R752	NRSA63J-473X	MG RESISTOR	47kΩ 1/16W J	1	
	R753	NRSA63J-332X	MG RESISTOR	3.3kΩ 1/16W J	1	
	R754	NRSA63J-332X	MG RESISTOR	3.3kΩ 1/16W J	1	
	R755	NRSA63J-0R0X	MG RESISTOR	0Ω 1/10W J	1	
	R757	NRSA63J-104X	MG RESISTOR	100kΩ 1/16W J	1	
	R758	NRSA63J-104X	MG RESISTOR	100kΩ 1/16W J	1	
	R759	NRSA63J-473X	MG RESISTOR	47kΩ 1/16W J	1	
	R760	NRSA63J-103X	MG RESISTOR	10kΩ 1/16W J	1	
	R761	NRSA63J-103X	MG RESISTOR	10kΩ 1/16W J	1	
	R763	NRSA63J-473X	MG RESISTOR	47kΩ 1/16W J	1	
	R764	NRSA63J-223X	MG RESISTOR	22kΩ 1/16W J	1	
	R766	NRSA63J-273X	MG RESISTOR	27kΩ 1/16W J	1	
	R767	NRSA63J-473X	MG RESISTOR	47kΩ 1/16W J	1	
	R768	NRSA63J-473X	MG RESISTOR	47kΩ 1/16W J	1	
	R769	NRSA63J-104X	MG RESISTOR	100kΩ 1/16W J	1	
	R770	NRSA63J-472X	MG RESISTOR	4.7kΩ 1/16W J	1	
	R771	NRSA63J-472X	MG RESISTOR	4.7kΩ 1/16W J	1	
	R772	NRSA63J-472X	MG RESISTOR	4.7kΩ 1/16W J	1	
	R773	NRSA63J-472X	MG RESISTOR	4.7kΩ 1/16W J	1	
	R774	NRSA63J-472X	MG RESISTOR	4.7kΩ 1/16W J	1	
	R775	NRSA63J-153X	MG RESISTOR	15kΩ 1/16W J	1	
	R776	NRSA63J-153X	MG RESISTOR	15kΩ 1/16W J	1	
	R777	NRSA63J-102X	MG RESISTOR	1kΩ 1/16W J	1	
	R778	NRSA63J-271X	MG RESISTOR	270Ω 1/16W J	1	
	R779	NRSA63J-271X	MG RESISTOR	270Ω 1/16W J	1	
	R780	NRSA63J-473X	MG RESISTOR	47kΩ 1/16W J	1	
	R781	NRSA63J-331X	MG RESISTOR	330Ω 1/16W J	1	
	R782	NRSA63J-0R0X	MG RESISTOR	0Ω 1/10W J	1	
	R783	NRSA63J-104X	MG RESISTOR	100kΩ 1/16W J	1	
	R784	NRSA63J-103X	MG RESISTOR	10kΩ 1/16W J	1	
	R785	NRS181J-563X	MG RESISTOR	56kΩ 1/8W J	1	
	R786	NRSA63J-103X	MG RESISTOR	10kΩ 1/16W J	1	
	R789	NRSA63J-270X	MG RESISTOR	27Ω 1/16W J	1	
	R790	NRSA63J-270X	MG RESISTOR	27Ω 1/16W J	1	
	R793	NRSA63J-0R0X	MG RESISTOR	0Ω 1/10W J	1	
	R795	NRSA63J-103X	MG RESISTOR	10kΩ 1/16W J	1	
	R796	NRSA63J-100X	MG RESISTOR	10Ω 1/16W J	1	
	R801	NRSA63J-4R7X	MG RESISTOR	4.7Ω 1/16W J	1	
	R802	NRSA63J-100X	MG RESISTOR	10Ω 1/16W J	1	
	R803	NRSA63J-100X	MG RESISTOR	10Ω 1/16W J	1	
	R804	NRSA63J-101X	MG RESISTOR	100Ω 1/16W J	1	
	R805	NRSA63J-101X	MG RESISTOR	100Ω 1/16W J	1	
	R806	NRSA63J-101X	MG RESISTOR	100Ω 1/16W J	1	
	R807	NRSA63J-104X	MG RESISTOR	100kΩ 1/16W J	1	
	R809	NRSA63J-0R0X	MG RESISTOR	0Ω 1/10W J	1	
	R813	NRSA63J-101X	MG RESISTOR	100Ω 1/16W J	1	
	R814	NRSA63J-101X	MG RESISTOR	100Ω 1/16W J	1	
	R815	NRSA63J-101X	MG RESISTOR	100Ω 1/16W J	1	
	R891	NRSA63J-103X	MG RESISTOR	10kΩ 1/16W J	1	
	R892	NRSA63J-683X	MG RESISTOR	68kΩ 1/16W J	1	
	R893	NRS181J-123X	MG RESISTOR	12kΩ 1/8W J	1	
	R894	NRSA63J-0R0X	MG RESISTOR	0Ω 1/10W J	1	
	R901	NRS181J-682X	MG RESISTOR	6.8kΩ 1/8W J	1	
	R902	NRS181J-682X	MG RESISTOR	6.8kΩ 1/8W J	1	
	R905	NRS181J-103X	MG RESISTOR	10kΩ 1/8W J	1	
	R906	NRSA63J-562X	MG RESISTOR	5.6kΩ 1/16W J	1	
	R907	NRSA63J-155X	MG RESISTOR	1.5MΩ 1/16W J	1	
	R908	NRSA63J-472X	MG RESISTOR	4.7kΩ 1/16W J	1	
	R909	NRSA63J-273X	MG RESISTOR	27kΩ 1/16W J	1	
	R911	NRSA63J-122X	MG RESISTOR	1.2kΩ 1/16W J	1	
	R912	NRSA63J-472X	MG RESISTOR	4.7kΩ 1/16W J	1	
	R913	NRSA63J-472X	MG RESISTOR	4.7kΩ 1/16W J	1	
	R914	NRSA63J-101X	MG RESISTOR	100Ω 1/16W J	1	

MODEL	MARK
KDC-X397	

Safe	Symbol No.	Parts No.	Parts Name	Description	QTY	Local
R941		NRS181J-472X	MG RESISTOR	4.7kΩ 1/8W J	1	
R951		NRSA63J-102X	MG RESISTOR	1kΩ 1/16W J	1	
R952		NRSA63J-331X	MG RESISTOR	330Ω 1/16W J	1	
R970		NRSA63J-473X	MG RESISTOR	47kΩ 1/16W J	1	
R971		NRSA63J-103X	MG RESISTOR	10kΩ 1/16W J	1	
R972		NRSA63J-103X	MG RESISTOR	10kΩ 1/16W J	1	
R973		NRSA63J-203X	MG RESISTOR	20kΩ 1/16W J	1	
R974		NRSA63J-473X	MG RESISTOR	47kΩ 1/16W J	1	
R975		NRSA02J-473X	MG RESISTOR	47kΩ 1/10W J	1	
R976		NRSA02J-683X	MG RESISTOR	68kΩ 1/10W J	1	
R981		NRSA63D-913X	MG RESISTOR	91kΩ 1/16W D	1	
R982		NRSA63D-273X	MG RESISTOR	27kΩ 1/16W D	1	
R983		NRSA63J-472X	MG RESISTOR	4.7kΩ 1/16W J	1	
R986		NRSA63D-114X	MG RESISTOR	110kΩ 1/16W D	1	
R987		NRSA63J-103X	MG RESISTOR	10kΩ 1/16W J	1	
R988		NRSA63J-0R0X	MG RESISTOR	0Ω 1/10W J	1	
L1		NQL093K-R47X	PEAKING COIL	0.47uH K	1	
L2		NQL093K-1R8X	PEAKING COIL	1.8uH K	1	
L3		NQL093K-R27X	PEAKING COIL	0.27uH K	1	
L4		QQR1872-001	RF COIL		1	
L5		NQL114K-561X	PEAKING COIL	560uH K	1	
L6		NQL114K-561X	PEAKING COIL	560uH K	1	
L7		NQL79GM-4R7X	COIL	4.7uH M	1	
L8		NQL093K-4R7X	PEAKING COIL	4.7uH K	1	
L9		NQL093K-R47X	PEAKING COIL	0.47uH K	1	
L10		NQL103J-10NX	COIL	10nH J	1	
L11		NQR0251-002X	FERRITE BEADS		1	
L12		NQR0251-002X	FERRITE BEADS		1	
L531		NQR0154-006X	FERRITE BEADS		1	
L561		NQR0154-006X	FERRITE BEADS		1	
L562		NQR0154-006X	FERRITE BEADS		1	
L701		NQL79GM-4R7X	COIL	4.7uH M	1	
L763		NQR0154-006X	FERRITE BEADS		1	
L764		NQR0154-006X	FERRITE BEADS		1	
L765		NQR0154-006X	FERRITE BEADS		1	
L901		QQR1882-001	CHOKE COIL		1	
L981		QQL92AK-220Z	COIL	22uH K	1	
L982		NQLH25M-4R7X	COIL	4.7uH M	1	
CN502		QGF1040F1-26	CONNECTOR	FFC/FPC (1-26)	1	
CN701		QGZ1102J1-20	CONNECTOR	(1-20)	1	
CN901		QNZ0607-001	CAR CONNECTOR		1	
J1		QNB0358-001	ANT TERMINAL		1	
J321		QNN0866-001	PIN JACK		1	
J801		QNZ0907-001	CIR CONNECTOR		1	
S701		QSW0648-001Z	TACT SWITCH		1	
X1		QAX0952-001Z	CRYSTAL		1	
X540		QAX0929-001Z	C RESONATOR		1	
X701		NAX1121-001X	CRYSTAL		1	
X702		QAX0401-001	CRYSTAL	32.768KHz	1	
SWITCH UNIT (X16-7390-12) <X16>						
IC601		PCA9633DP1-X	IC(MOS-IC)		1	
IC602		KSM-2003TN5B	IR SENSOR		1	
IC603		TPS2065CDBV-X	IC(MOS-IC)		1	
Q601		LTA014EUB-X	DIGI TRANSISTOR		1	
Q602		LTA014EUB-X	DIGI TRANSISTOR		1	
Q603		LTA014EUB-X	DIGI TRANSISTOR		1	
Q604		LTA014EUB-X	DIGI TRANSISTOR		1	
Q605		LTC014EUB-X	DIGI TRANSISTOR		1	
Q643		LSCR523UB-X	TRANSISTOR		1	
Q644		LSCR523UB-X	TRANSISTOR		1	
Q645		LSCR523UB-X	TRANSISTOR		1	
D601		RKZ5.1B2KG-X	Z DIODE		1	
D602		RKZ5.1B2KG-X	Z DIODE		1	
D603		RKZ5.1B2KG-X	Z DIODE		1	
D604		RKZ5.1B2KG-X	Z DIODE		1	
D605		RKZ5.1B2KG-X	Z DIODE		1	
D606		RKZ5.1B2KG-X	Z DIODE		1	
D607		RKZ5.1B2KG-X	Z DIODE		1	
D608		RKZ5.1B2KG-X	Z DIODE		1	
D609		RKZ5.1B2KG-X	Z DIODE		1	
D610		RKZ5.1B2KG-X	Z DIODE		1	
D611		RKZ5.1B2KG-X	Z DIODE		1	
D623		MBRX130-TP-X	SB DIODE		1	
D650		LRTBR98G-X	LED		1	
D651		LRTBR98G-X	LED		1	
D652		LRTBR98G-X	LED		1	
D653		LRTBR98G-X	LED		1	
D654		LRTBR98G-X	LED		1	
D655		LRTBR98G-X	LED		1	
D656		LRTBR98G-X	LED		1	
D657		LRTBR98G-X	LED		1	
D658		LRTBR98G-X	LED		1	
D660		LRTBR98G-X	LED		1	
D661		LRTBR98G-X	LED		1	
D662		SML-D12V8W-X	LED		1	
D663		SML-310VT-X	LED		1	
D664		LRTBR98G-X	LED		1	
C601		NCB31HK-472X	C CAPACITOR	4700pF 50V K	1	
C602		NCB31HK-472X	C CAPACITOR	4700pF 50V K	1	
C603		NCJ11EK-106X-R	C CAPACITOR	10uF 25V	1	
C604		NCJ11EK-106X-R	C CAPACITOR	10uF 25V	1	
C611		NCB31HK-102X	C CAPACITOR	1000pF 50V K	1	
C612		NCB31HK-471X	C CAPACITOR	470pF 50V K	1	

MODEL	MARK
KDC-X397	

Safe	Symbol No.	Parts No.	Parts Name	Description	QTY	Local
	C614	NCB31HK-471X	C CAPACITOR	470pF 50V K	1	
	C615	NCB31HK-102X	C CAPACITOR	1000pF 50V K	1	
	C616	NCB31HK-104X	C CAPACITOR	0.1uF 50V K	1	
	C617	NCB31HK-104X	C CAPACITOR	0.1uF 50V K	1	
	C619	NCB31HK-103X	C CAPACITOR	0.01uF 50V K	1	
	C621	NCB31HK-471X	C CAPACITOR	470pF 50V K	1	
	C631	NDC31HJ-270X	C CAPACITOR	27pF 50V J	1	
	C632	NDC31HJ-270X	C CAPACITOR	27pF 50V J	1	
	C633	NCJ11EK-106X-R	C CAPACITOR	10uF 25V	1	
	C641	NCB31HK-104X	C CAPACITOR	0.1uF 50V K	1	
	C643	NCB31HK-103X	C CAPACITOR	0.01uF 50V K	1	
	C644	NCB31CK-105X	C CAPACITOR	1uF 16V K	1	
	C648	NCJ11EK-106X-R	C CAPACITOR	10uF 25V	1	
	C649	NCB20JK-106X	C CAPACITOR	10uF 6.3V K	1	
	R602	NRSA63J-162X	MG RESISTOR	1.6kΩ 1/16W J	1	
	R603	NRSA63J-182X	MG RESISTOR	1.8kΩ 1/16W J	1	
	R604	NRSA63J-152X	MG RESISTOR	1.5kΩ 1/16W J	1	
	R605	NRSA63J-182X	MG RESISTOR	1.8kΩ 1/16W J	1	
	R606	NRSA63J-182X	MG RESISTOR	1.8kΩ 1/16W J	1	
	R609	NRSA02J-0R0X	MG RESISTOR	0Ω 1/10W J	1	
	R610	NRSA02J-0R0X	MG RESISTOR	0Ω 1/10W J	1	
	R611	NRSA63J-101X	MG RESISTOR	100Ω 1/16W J	1	
	R612	NRSA63J-101X	MG RESISTOR	100Ω 1/16W J	1	
	R613	NRSA63J-0R0X	MG RESISTOR	0Ω 1/10W J	1	
	R615	NRSA63J-101X	MG RESISTOR	100Ω 1/16W J	1	
	R616	NRSA63J-101X	MG RESISTOR	100Ω 1/16W J	1	
	R617	NRSA63J-473X	MG RESISTOR	47kΩ 1/16W J	1	
	R618	NRSA63J-101X	MG RESISTOR	100Ω 1/16W J	1	
	R619	NRSA63J-101X	MG RESISTOR	100Ω 1/16W J	1	
	R620	NRSA63J-101X	MG RESISTOR	100Ω 1/16W J	1	
	R621	NRSA63J-0R0X	MG RESISTOR	0Ω 1/10W J	1	
	R622	NRSA63J-101X	MG RESISTOR	100Ω 1/16W J	1	
	R623	NRSA63J-101X	MG RESISTOR	100Ω 1/16W J	1	
	R624	NRSA63J-104X	MG RESISTOR	100kΩ 1/16W J	1	
	R625	NRSA63J-4R7X	MG RESISTOR	4.7Ω 1/16W J	1	
	R626	NRSA63J-473X	MG RESISTOR	47kΩ 1/16W J	1	
	R627	NRSA63J-473X	MG RESISTOR	47kΩ 1/16W J	1	
	R628	NRSA63J-473X	MG RESISTOR	47kΩ 1/16W J	1	
	R629	NRSA63J-103X	MG RESISTOR	10kΩ 1/16W J	1	
	R630	NRSA02J-2R0X	MG RESISTOR	2Ω 1/10W J	1	
	R631	NRSA02J-2R0X	MG RESISTOR	2Ω 1/10W J	1	
	R632	NRSA02J-2R0X	MG RESISTOR	2Ω 1/10W J	1	
	R633	NRSA02J-2R0X	MG RESISTOR	2Ω 1/10W J	1	
	R634	NRSA02J-2R0X	MG RESISTOR	2Ω 1/10W J	1	
	R635	NRSA02J-2R0X	MG RESISTOR	2Ω 1/10W J	1	
	R636	NRSA02J-1R8X	MG RESISTOR	1.8Ω 1/10W J	1	
	R637	NRSA63J-0R0X	MG RESISTOR	0Ω 1/10W J	1	
	R638	NRS181J-103X	MG RESISTOR	10kΩ 1/8W J	1	
	R641	NRS124J-100X	MG RESISTOR	10Ω 1/2W J	1	
	R645	NRSA63J-101X	MG RESISTOR	100Ω 1/16W J	1	
	R646	NRSA63J-101X	MG RESISTOR	100Ω 1/16W J	1	
	R647	NRSA63J-152X	MG RESISTOR	1.5kΩ 1/16W J	1	
	R648	NRSA63J-152X	MG RESISTOR	1.5kΩ 1/16W J	1	
	R649	NRSA63J-152X	MG RESISTOR	1.5kΩ 1/16W J	1	
	R650	NRSA63J-0R0X	MG RESISTOR	0Ω 1/10W J	1	
	R651	NRSA63J-152X	MG RESISTOR	1.5kΩ 1/16W J	1	
	R652	NRSA63J-122X	MG RESISTOR	1.2kΩ 1/16W J	1	
	R653	NRSA63J-152X	MG RESISTOR	1.5kΩ 1/16W J	1	
	R654	NRSA63J-0R0X	MG RESISTOR	0Ω 1/10W J	1	
	R657	NRS181J-911X	MG RESISTOR	910Ω 1/8W J	1	
	R658	NRSA02J-122X	MG RESISTOR	1.2kΩ 1/10W J	1	
	R659	NRSA02J-122X	MG RESISTOR	1.2kΩ 1/10W J	1	
	R660	NRS181J-122X	MG RESISTOR	1.2kΩ 1/8W J	1	
	R661	NRSA63J-152X	MG RESISTOR	1.5kΩ 1/16W J	1	
	R662	NRSA63J-152X	MG RESISTOR	1.5kΩ 1/16W J	1	
	R663	NRSA02J-681X	MG RESISTOR	680Ω 1/10W J	1	
	R664	NRSA02J-681X	MG RESISTOR	680Ω 1/10W J	1	
	R665	NRSA02J-681X	MG RESISTOR	680Ω 1/10W J	1	
	R666	NRS181J-681X	MG RESISTOR	680Ω 1/8W J	1	
	R667	NRSA02J-681X	MG RESISTOR	680Ω 1/10W J	1	
	R668	NRSA02J-681X	MG RESISTOR	680Ω 1/10W J	1	
	R669	NRS181J-681X	MG RESISTOR	680Ω 1/8W J	1	
	R670	NRSA02J-681X	MG RESISTOR	680Ω 1/10W J	1	
	R671	NRSA02J-681X	MG RESISTOR	680Ω 1/10W J	1	
	R675	NRSA02J-152X	MG RESISTOR	1.5kΩ 1/10W J	1	
	R678	NRS181J-122X	MG RESISTOR	1.2kΩ 1/8W J	1	
	R679	NRSA63J-101X	MG RESISTOR	100Ω 1/16W J	1	
	R680	NRS181J-0R0X	MG RESISTOR	0Ω 1/8W J	1	
	R681	NRSA63J-101X	MG RESISTOR	100Ω 1/16W J	1	
	R682	NRSA63J-101X	MG RESISTOR	100Ω 1/16W J	1	
	R683	NRSA63J-911X	MG RESISTOR	910Ω 1/16W J	1	
	R693	NRS181J-911X	MG RESISTOR	910Ω 1/8W J	1	
	R694	NRSA63J-182X	MG RESISTOR	1.8kΩ 1/16W J	1	
	R695	NRSA63J-182X	MG RESISTOR	1.8kΩ 1/16W J	1	
	R697	NRSA63J-0R0X	MG RESISTOR	0Ω 1/10W J	1	
	R698	NRSA63J-0R0X	MG RESISTOR	0Ω 1/10W J	1	
	L601	NQR0007-002X	FERRITE BEADS		1	
	L602	NQR0007-002X	FERRITE BEADS		1	
	L603	NQR0007-002X	FERRITE BEADS		1	
	L641	NQR0022-005X	FERRITE BEADS		1	
	CN601	QGZ1102K3-20X	CONNECTOR	(1-20)	1	
	CN603	QNZ1076-001	USB CONNECTOR		1	
	EN601	QSW1288-001	ROTARY ENCODER		1	

MODEL	MARK
KDC-X397	

Safe	Symbol No.	Parts No.	Parts Name	Description	QTY	Local
	FL601	QLF0207-001	FL TUBE		1	
	J602	QNS0308-001	3.5 JACK		1	
	LF691	NQR0536-001X	CHOKE COIL		1	
	S601	NSW0246-001X	TACT SWITCH		1	
	S602	NSW0246-001X	TACT SWITCH		1	
	S603	NSW0246-001X	TACT SWITCH		1	
	S604	NSW0246-001X	TACT SWITCH		1	
	S605	NSW0246-001X	TACT SWITCH		1	
	S606	NSW0246-001X	TACT SWITCH		1	
	S607	NSW0246-001X	TACT SWITCH		1	
	S608	NSW0246-001X	TACT SWITCH		1	
	S609	NSW0246-001X	TACT SWITCH		1	
	S610	NSW0246-001X	TACT SWITCH		1	
	S611	NSW0246-001X	TACT SWITCH		1	
	S612	NSW0246-001X	TACT SWITCH		1	
	S613	NSW0246-001X	TACT SWITCH		1	
	S614	NSW0246-001X	TACT SWITCH		1	
CD PLAYER UNIT (X32-6530-00) IN CD MECHA <X32>						
	R1	NRSA63J-131X	MG RESISTOR	130Ω 1/16W J	1	
	B1	NRS181J-0R0X	MG RESISTOR	0Ω 1/8W J	1	
	CN101	QGF1044F2-26X	CONNECTOR	FFC/FPC (1-26)	1	
	CN102	QGF0522F3-15W	CONNECTOR	FFC/FPC (1-15)	1	
	SW1	S68-0157-05	PUSH SWITCH		1	
	SW2	S68-0157-05	PUSH SWITCH		1	
	SW3	S68-0157-05	PUSH SWITCH		1	
	SW4	S68-0157-05	PUSH SWITCH		1	