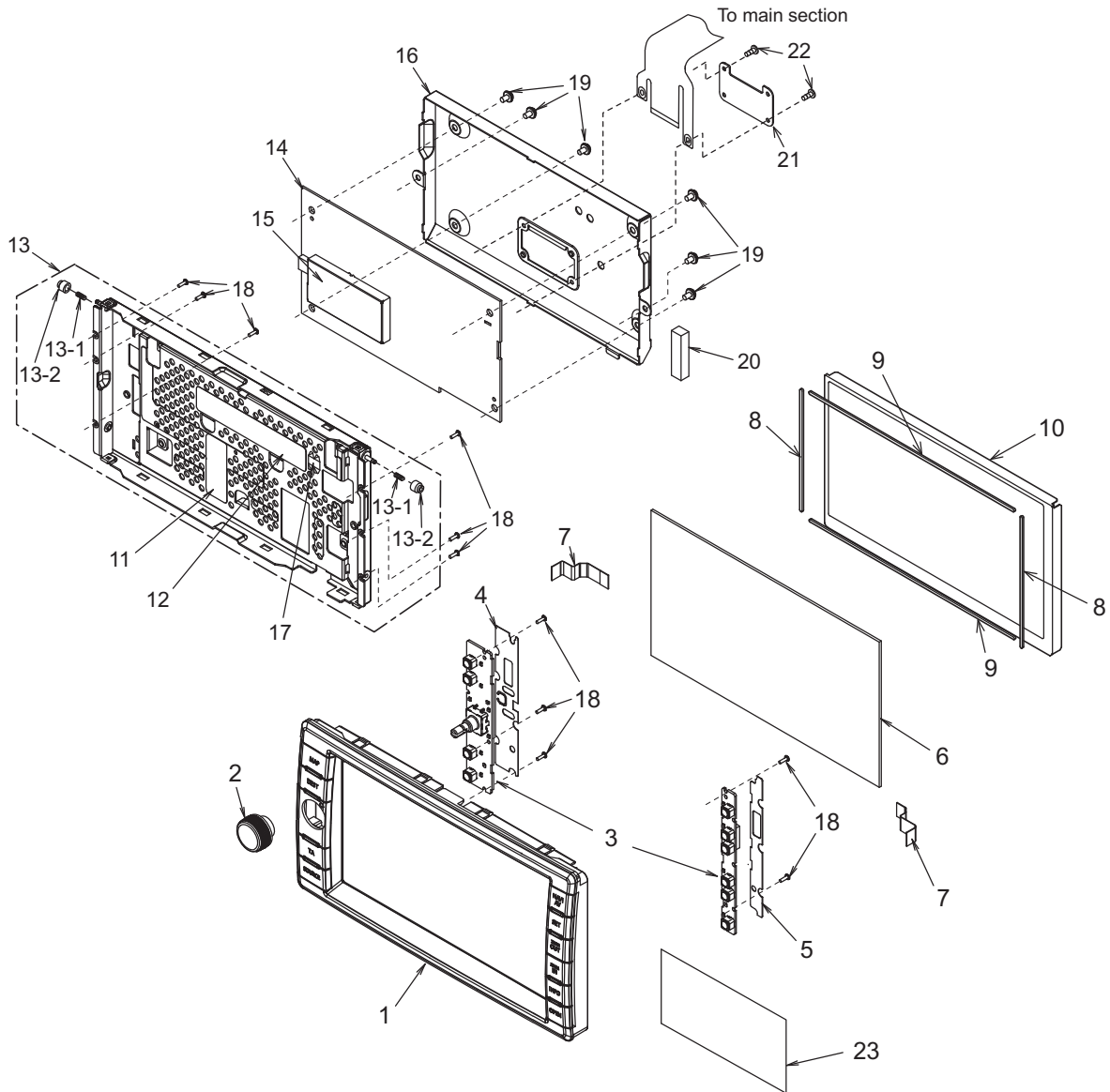


# EXPLODED VIEW / PARTS LIST

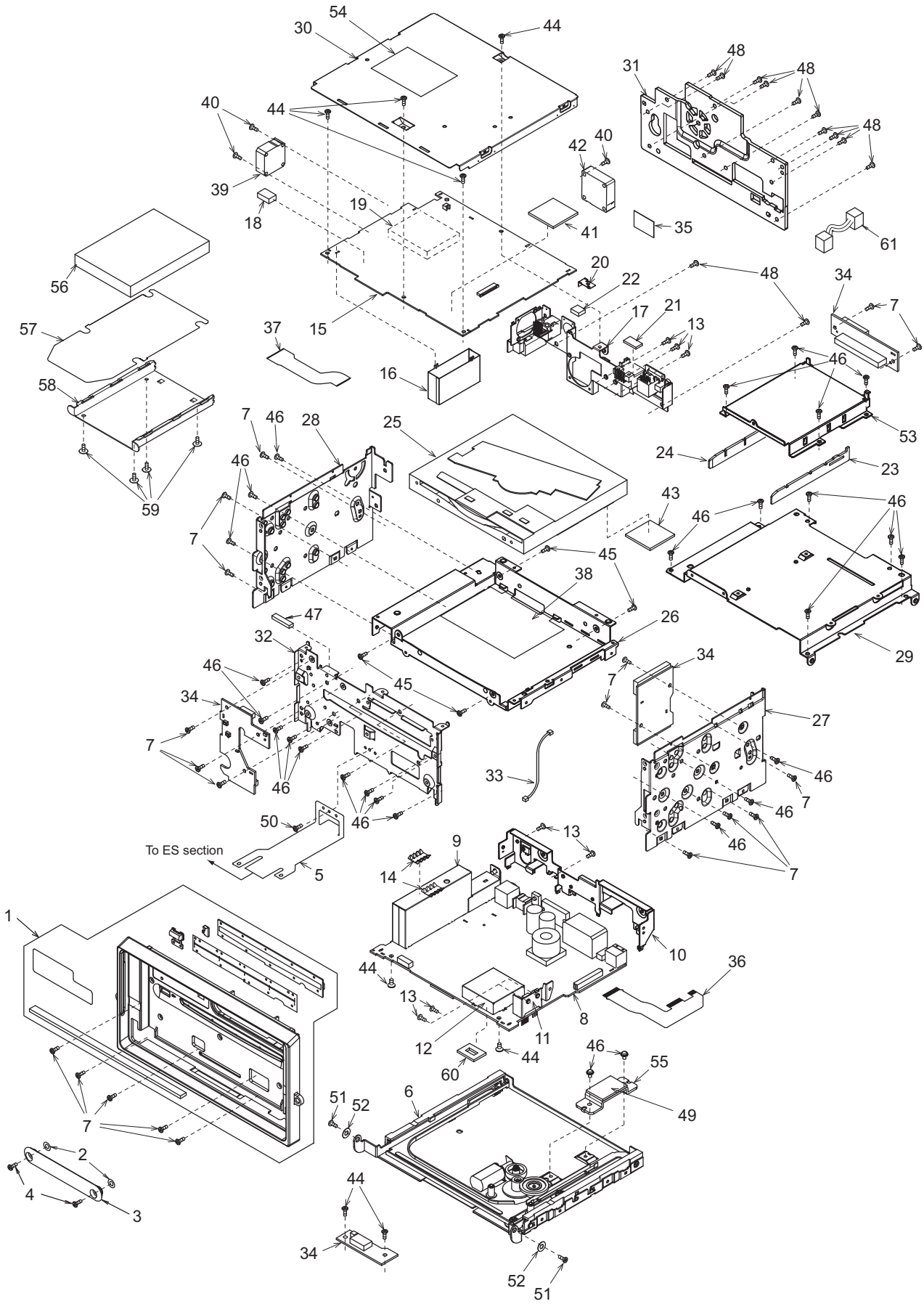
## Escutcheon section



NO.	PART NO.	DESCRIPTION	Q'TY
1	940-8189-01	ESCUTCHEON-ASSY	1
2	380-5697-00	KNOB	1
3	-----	SWITCH PWB	1
4	347-8312-00	INSULATOR-L	1
5	347-8313-00	INSULATOR-R	1
6	013-9718-00	SWITCH (TOUCH PANEL)	1
7	816-3019-55	FLAT WIRE (SW PWB-LCD PWB)	2
8	347-7038-00	SPACER	2
9	347-7423-00	SPACER	2
10	379-0471-00	INDICATOR	1
11	347-8314-00	DOUBLE FACE	1
12	347-7042-00	DOUBLE FACE	1
13	948-0790-01	PANEL-CHASSIS-ASSY	1

NO.	PART NO.	DESCRIPTION	Q'TY
13-1	750-6746-10	ROLLER SPRING	2
13-2	335-7074-00	ROLLER	2
14	-----	LCD PWB	1
15	331-3672-11	SHIELD CASE	1
16	331-4398-00	REAR-COVER	1
17	331-3038-10	EARTH PLATE	1
18	716-0872-61	PAD SCREW(M1.7 x 6)	11
19	716-1611-50	IT SCREW(M2.6 x 4)	6
20	345-6114-00	CUSHION RUBBER	1
21	039-1742-00	SUPPORT PWB	1
22	716-1851-00	SCREW(M2 x 3)	2
23	347-7414-00	PROTECTOR SHEET	1

Main section



US-249D/K/N-01  
US-912N/3D/4K-01  
QY-5002S-G/I

NO.	PART NO.	DESCRIPTION	Q'TY
1	940-8190-00	INNER-ES-ASSY	1
2	746-0942-00	WASHER	2
3	383-0762-10	HDD COVER	1
4	716-3619-00	SCREW (M3 x 10)	2
5	039-3024-00	FPC (MAIN-ES)	1
6	948-0793-00	TV-SLIDE MECH	1
7	716-3504-10	SCREW (M2.6 x 4)	19
8	-----	AUDIO PWB	1
9	331-4416-00	SHIELD CASE	1
10	331-4401-00	PWB PLATE	1
11	331-4402-00	TR HOLDER	1
12	331-4417-00	SHIELD CASE	1
13	780-3006-51	SCREW (M3 x 6)	7
14	331-3038-00	EARTH PLATE	2
15	-----	NAVI PWB	1
16	331-3664-01	SHIELD CASE	1
17	331-4400-00	PWB PLATE	1
18	345-6138-00	CUSHION	1
19	331-4415-00	SHIELD CASE	1
20	331-2978-00	EARTH PLATE	1
21	345-6122-00	SPACER RUBBER	1
22	345-6123-00	SPACER RUBBER	1
23	335-7016-00	HDD GUIDE-R	1
24	335-7017-00	HDD GUIDE-L	1
25	929-2506-00	DVD MECH	1
26	312-0485-00	LOWER CHASSIS	1
27	312-0481-00	SIDE CHASSIS	1
28	312-0480-01	SIDE CHASSIS	1
29	312-0484-00	UPPER CHASSIS	1
30	310-1839-02	UPPER CASE	1
31	313-2010-00	HEAT SINK	1
32	309-0842-00	FRONT PLATE	1

NO.	PART NO.	DESCRIPTION	Q'TY
33	092-2211-00	ANT CABLE	1
34	-----	JOINT PWB	1
35	347-8346-00	COVER FILM	1
36	039-2982-10	FPC (AUDIO-DVD)	1
37	039-2983-00	FPC (NAVI-DVD)	1
38	347-8345-00	LOWER SHEET	1
39	020-3051-01	DC-MOTOR(SIDE)	1
40	780-2614-50	SCREW (M2.6 x 14)	3
41	345-6120-00	HEAT RUBBER	1
42	020-3052-03	DC-MOTOR(REAR)	1
43	345-6119-00	HEAT RUBBER	1
44	780-2604-50	SCREW (M2.6 x 4)	8
45	731-2608-8B	TAPTIGHT	4
46	714-2604-8B	MACHINE SCREW (M2.6 x 4)	27
47	345-6137-00	CUSHION	1
48	714-2610-8B	MACHINE SCREW (M2.6 x 10)	12
49	345-6121-00	HEAT RUBBER	1
50	716-3504-20	SCREW (M2.6 x 4)	1
51	716-3577-00	DECORATIVE SCREW(M2)	2
52	335-7903-00	BUSH	2
53	331-3659-02	HDD CASE	1
54	276-0293-04 276-0293-05 276-0293-08 276-0293-09	SETPLATE(QY-5002S-F) SETPLATE(QY-5002S-G) SETPLATE(QY-5002S-H) SETPLATE(QY-5002S-I)	1 1 1 1
55	313-2011-00	HEAT SINK	1
56	-----	HARD DISC DRIVE(40GB)	1
57	347-7963-00	HDD PULL SHEET	1
58	331-3660-12	HDD BRKT	1
59	716-3503-50	SCREW (M3 x 4)	4
60	345-6124-00	CUSHION	1
61	854-8253-00	EXTENSION LEAD	1

## ELECTRICAL PARTS LIST

※ The following parts are different parts.  
Refer to the original service manual  
page 27 to page 40.

### Audio PWB(B1) section

REF No.	PART No.	DESCRIPTION
IC102	052-7080-50	UPD70F3276YGJ- UEN-A

### Joint PWB(B2) section

REF No.	PART No.	DESCRIPTION
J3000	076-3032-50	50P

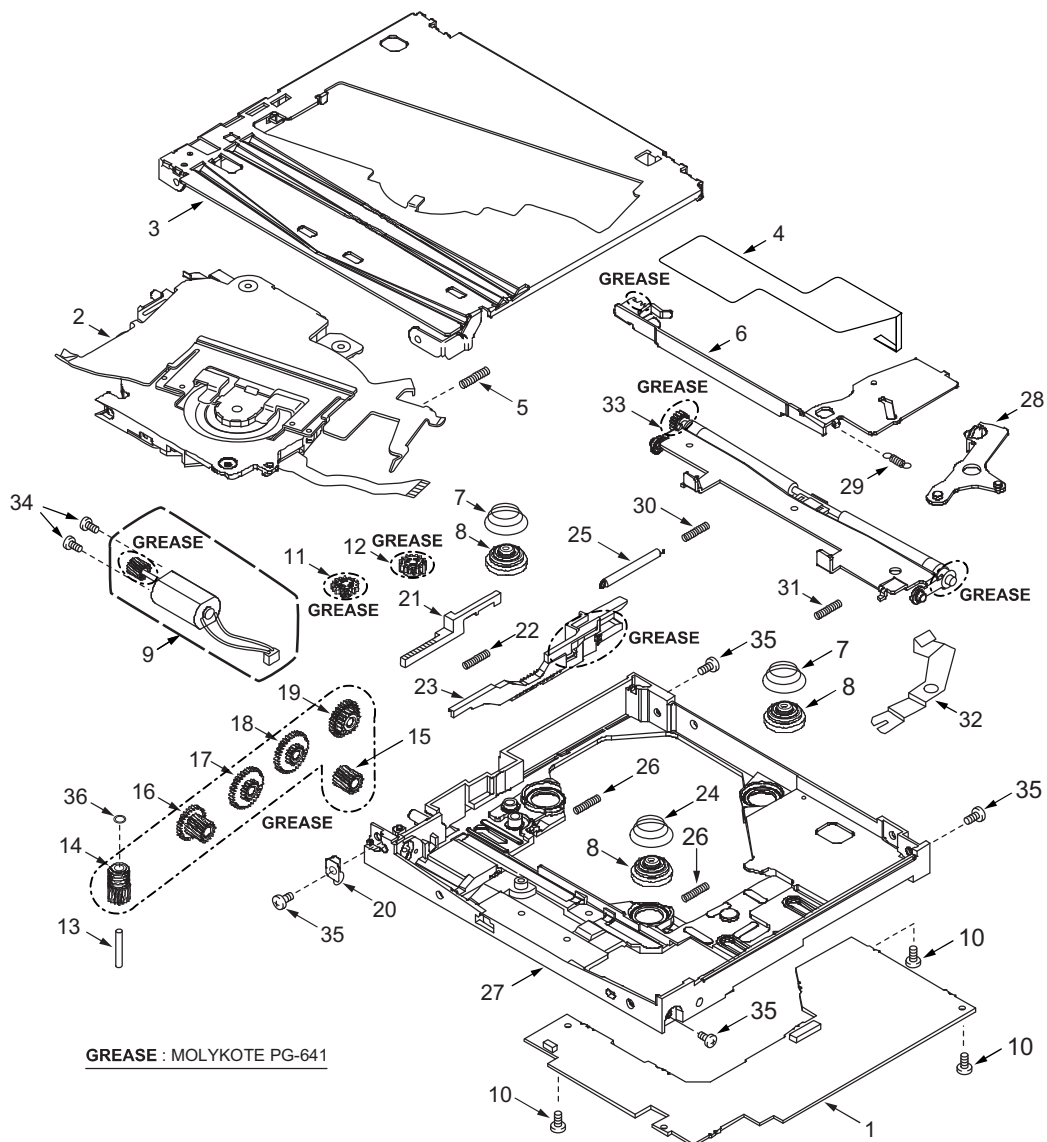
※ This part of the original model was also  
changed to the same part number.

### Navi PWB(B3) section

REF No.	PART No.	DESCRIPTION
P901	074-3032-50	50P

※ This part of the original model was also  
changed to the same part number.

# EXPLODED VIEW / PARTS LIST



NO.	PART NO.	DESCRIPTION	Q'TY	NO.	PART NO.	DESCRIPTION	Q'TY
1	-----	Servo PWB	1	19	658-0238-03	Laoding Gear (6)	1
2	658-0247-01	Suspension Assy	1	20	658-0238-04	Worm Gear Housing Spring	1
3	658-0244-16	Upper Chassis	1	21	658-0238-05	Clamp Rack	1
4	658-0247-02	Sensor FPC Assy	1	22	658-0238-06	Clamp Rack Spring	1
5	658-0237-88	Earth Spring	1	23	658-0238-07	Slide Lever	1
6	658-0239-06	Suspension Lock Lever (L)	1	24	658-0238-08	Suspension Spring (F)	1
7	658-0237-90	Suspension Spring	2	25	658-0238-09	Slide Lever Spring	1
8	658-0239-07	Damper	3	26	658-0238-10	Offset Spring	2
9	658-0247-03	Loading Motor Assy	1	27	658-0238-11	Main Chassis	1
10	658-0238-23	Screw	3	28	658-0238-12	Suspension Lock Lever (R)	1
11	658-0237-94	Lock Gear (1)	1	29	658-0238-13	Suspension Lock Lever L Spring	1
12	658-0237-95	Lock Gear (2)	1	30	658-0238-15	Feeder Spring (L)	1
13	658-0246-01	Loading Gear Shaft	1	31	658-0238-16	Feeder Spring (R)	1
14	658-0246-02	Laoding Gear (1)	1	32	658-0238-17	Upper Spring	1
15	658-0237-98	Laoding Gear (2)	1	33	658-0244-19	Feeder Arm Assy	1
16	658-0237-99	Laoding Gear (3)	1	34	658-0238-21	Screw	2
17	658-0238-01	Laoding Gear (4)	1	35	658-0244-20	Screw	4
18	658-0238-02	Laoding Gear (5)	1	36	658-0247-04	Load Gear 1 Collar	1

# ELECTRICAL PARTS LIST

## Servo PWB(BM1) section

REF No.	PART No.	DESCRIPTION	REF No.	PART No.	DESCRIPTION	REF No.	PART No.	DESCRIPTION
C101	658-0246-12	50V560pF	C253	658-0240-12	0.1uF 10WV	C544	658-0240-12	0.1uF 10WV
C102	658-0240-12	0.1uF 10WV	C261	658-0240-12	0.1uF 10WV	C545	658-0240-12	0.1uF 10WV
C103	658-0246-13	50V0.001uF	C262	658-0240-12	0.1uF 10WV	C546	658-0240-12	0.1uF 10WV
C104	658-0246-13	50V0.001uF	C263	658-0240-12	0.1uF 10WV	C547	658-0240-12	0.1uF 10WV
C113	658-0240-12	0.1uF 10WV	C264	658-0240-12	0.1uF 10WV	C548	658-0240-12	0.1uF 10WV
C114	658-0240-13	10uF 6.3WV	C265	658-0240-12	0.1uF 10WV	C551	658-0240-12	0.1uF 10WV
C115	658-0240-13	10uF 6.3WV	C266	658-0240-12	0.1uF 10WV	C552	658-0240-12	0.1uF 10WV
C116	658-0246-13	50V0.001uF	C271	658-0240-12	0.1uF 10WV	C553	658-0240-12	0.1uF 10WV
C117	658-0240-13	10uF 6.3WV	C272	658-0240-12	0.1uF 10WV	C554	658-0240-12	0.1uF 10WV
C121	658-0246-14	50V6pF	C275	658-0240-12	0.1uF 10WV	C555	658-0240-12	0.1uF 10WV
C122	658-0240-13	10uF 6.3WV	C311	658-0240-12	0.1uF 10WV	C556	658-0240-12	0.1uF 10WV
C124	658-0240-12	0.1uF 10WV	C312	658-0244-07	Ceramic,50WV0.1uF	C557	658-0246-22	50V100pF
C125	658-0240-12	0.1uF 10WV	C313	658-0240-12	0.1uF 10WV	C561	658-0240-12	0.1uF 10WV
C126	658-0237-28	25V0.027uF	C314	658-0244-07	Ceramic,50WV0.1uF	C601	658-0240-42	1uF 6.3WV
C127	658-0237-27	16V0.047uF	C315	658-0240-12	0.1uF 10WV	C602	658-0246-22	50V100pF
C128	658-0240-12	0.1uF 10WV	C316	658-0240-12	0.1uF 10WV	C603	658-0246-22	50V100pF
C129	658-0246-22	50V100pF	C321	658-0240-12	0.1uF 10WV	C604	658-0246-22	50V100pF
C131	658-0246-12	50V560pF	C322	658-0244-07	Ceramic,50WV0.1uF	C605	658-0246-22	50V100pF
C132	658-0246-12	50V560pF	C323	658-0240-12	0.1uF 10WV	C606	658-0246-22	50V100pF
C133	658-0240-12	0.1uF 10WV	C324	658-0240-12	0.1uF 10WV	C607	658-0246-22	50V100pF
C134	658-0240-12	0.1uF 10WV	C325	658-0240-12	0.1uF 10WV	C608	658-0246-22	50V100pF
C136	658-0240-12	0.1uF 10WV	C401	658-0246-13	50V0.001uF	C609	658-0246-22	50V100pF
C137	658-0240-13	10uF 6.3WV	C402	658-0246-13	50V0.001uF	C611	658-0240-42	1uF 6.3WV
C141	658-0247-06	16V0.01uF	C403	658-0246-13	50V0.001uF	C612	658-0246-22	50V100pF
C142	658-0240-12	0.1uF 10WV	C404	658-0246-13	50V0.001uF	C613	658-0246-22	50V100pF
C143	658-0240-12	0.1uF 10WV	C405	658-0240-12	0.1uF 10WV	C614	658-0246-22	50V100pF
C144	658-0240-12	0.1uF 10WV	C406	658-0240-14	47uF 6.3WV	C616	658-0246-22	50V100pF
C145	658-0240-12	0.1uF 10WV	C411	658-0244-07	Ceramic,50WV0.1uF	C621	658-0240-12	0.1uF 10WV
C151	658-0240-12	0.1uF 10WV	C412	658-0240-43	10uF 16WV	C622	658-0246-22	50V100pF
C152	658-0237-21	6.3V47uF Tan	C413	658-0240-42	1uF 6.3WV	C623	658-0240-12	0.1uF 10WV
C153	658-0240-12	0.1uF 10WV	C414	658-0240-14	47uF 6.3WV	C631	658-0240-12	0.1uF 10WV
C154	658-0237-21	6.3V47uF Tan	C421	658-0244-07	Ceramic,50WV0.1uF	C641	658-0240-12	0.1uF 10WV
C201	658-0240-12	0.1uF 10WV	C422	658-0240-14	47uF 6.3WV	C651	658-0240-12	0.1uF 10WV
C202	658-0240-12	0.1uF 10WV	C423	658-0240-12	0.1uF 10WV	C652	658-0240-13	10uF 6.3WV
C203	658-0240-12	0.1uF 10WV	C431	658-0240-12	0.1uF 10WV	C653	658-0240-12	0.1uF 10WV
C204	658-0240-12	0.1uF 10WV	C432	658-0240-12	0.1uF 10WV	C701	658-0240-44	330PF 50WV
C205	658-0240-12	0.1uF 10WV	C433	658-0240-12	0.1uF 10WV	C702	658-0240-44	330PF 50WV
C206	658-0246-22	50V100pF	C441	658-0240-12	0.1uF 10WV	C703	658-0246-23	50WV120PF
C207	658-0240-13	10uF 6.3WV	C501	658-0246-22	50V100pF	C722	658-0240-13	10uF 6.3WV
C208	658-0240-13	10uF 6.3WV	C502	658-0246-22	50V100pF	C723	658-0240-12	0.1uF 10WV
C211	658-0240-12	0.1uF 10WV	C503	658-0246-22	50V100pF	CN101	658-0247-09	Connector 30P
C213	658-0246-22	50V100pF	C504	658-0246-22	50V100pF	CN201	658-0247-10	Connector 40P
C214	658-0246-22	50V100pF	C505	658-0246-22	50V100pF	CN301	658-0247-11	Connector 4P
C215	658-0247-06	16V0.01uF	C506	658-0246-22	50V100pF	CN302	658-0246-27	Connector 2P
C216	658-0247-06	16V0.01uF	C507	658-0246-22	50V100pF	CN303	658-0247-12	Connector 20P
C221	658-0246-17	Ceramic,50WV22PF	C508	658-0246-22	50V100pF	CN401	658-0247-13	Connector 12P
C222	658-0246-17	Ceramic,50WV22PF	C509	658-0246-22	50V100pF	CN701	658-0247-09	Connector 30P
C223	658-0240-12	0.1uF 10WV	C511	658-0240-13	10uF 6.3WV	D311	658-0237-19	MA721TX
C224	658-0240-12	0.1uF 10WV	C512	658-0240-13	10uF 6.3WV	IC101	658-0237-01	AN8703FH-V
C225	658-0240-12	0.1uF 10WV	C513	658-0246-22	50V100pF	IC201	658-0240-01	MNZS26EDCUB
C226	658-0240-12	0.1uF 10WV	C514	658-0240-12	0.1uF 10WV	IC271	658-0246-03	C0JBAA000372
C231	658-0247-06	16V0.01uF	C515	658-0246-22	50V100pF	IC275	658-0244-01	C0JBAZ001014
C232	658-0240-12	0.1uF 10WV	C516	658-0240-12	0.1uF 10WV	IC311	658-0237-08	C0GBY0000012
C234	658-0247-06	16V0.01uF	C517	658-0246-22	50V100pF	IC321	658-0237-09	C0GBH0000006
C235	658-0240-13	10uF 6.3WV	C518	658-0240-12	0.1uF 10WV	IC411	658-0246-05	C0CBADC00084
C236	658-0240-12	0.1uF 10WV	C521	658-0240-12	0.1uF 10WV	IC421	658-0244-02	YEAM17805FP
C237	658-0247-07	16V0.022uF	C522	658-0240-13	10uF 6.3WV	IC431	658-0246-06	C0JBAA000356
C239	658-0247-08	50V47pF	C523	658-0240-13	10uF 6.3WV	IC441	658-0246-07	MN13821SJP
C240	658-0240-12	0.1uF 10WV	C524	658-0240-12	0.1uF 10WV	IC501	658-0247-05	C1AB00002402
C241	658-0240-12	0.1uF 10WV	C525	658-0240-12	0.1uF 10WV	IC561	658-0244-01	C0JBAZ001014
C242	658-0246-13	50V0.001uF	C526	658-0240-13	10uF 6.3WV	IC601	658-0246-09	C3ABPJ000074
C243	658-0240-12	0.1uF 10WV	C527	658-0240-12	0.1uF 10WV	IC621	658-0246-10	C3FBMD000282
C244	658-0237-34	50V0.0056uF	C528	658-0240-12	0.1uF 10WV	IC631	658-0240-37	C0JBAH0000082
C245	658-0246-13	50V0.001uF	C529	658-0240-12	0.1uF 10WV	IC641	658-0240-37	C0JBAH0000082
C246	658-0246-13	50V0.001uF	C530	658-0240-13	10uF 6.3WV	IC651	658-0246-11	C3GBCA000001
C247	658-0246-13	50V0.001uF	C531	658-0240-13	10uF 6.3WV	IC652	658-0240-39	C0JBAB000255
C248	658-0246-12	50V560pF	C532	658-0240-12	0.1uF 10WV	IC721	658-0245-02	C0FB BK000048
C249	658-0246-12	50V560pF	C534	658-0240-12	0.1uF 10WV	L101	658-0240-30	JOJCC0000152
C250	658-0240-12	0.1uF 10WV	C541	658-0240-13	10uF 6.3WV	L102	658-0240-30	JOJCC0000152
C251	658-0246-20	50V0.0022uF	C542	658-0240-13	10uF 6.3WV	L201	658-0240-30	JOJCC0000152
C252	658-0246-21	50V470pF	C543	658-0240-12	0.1uF 10WV	L401	658-0240-32	YELTBMHS800T

REF No.	PART No.	DESCRIPTION	REF No.	PART No.	DESCRIPTION	REF No.	PART No.	DESCRIPTION
L403	658-0240-32	YELTBMHS800T	R223	033-3931-15	1/16W 39k ohm	R431	658-0240-23	100k ohm 1/16W
L404	658-0240-32	YELTBMHS800T	R227	033-0000-05	1/16W 0 ohm	R441	033-4731-15	1/16W 47k ohm
L406	658-0240-32	YELTBMHS800T	R231	033-1021-15	1/16W 1k ohm	R501	033-1011-15	1/16W 100 ohm
L511	658-0240-52	JOJCC0000042	R232	033-1531-15	1/16W 15k ohm	R511	658-0240-47	33 ohm 1/16W
L512	658-0240-56	JOMAB0000134	R234	033-1051-15	1/16W 1M ohm	R512	033-1011-15	1/16W 100 ohm
L513	658-0240-30	JOJCC0000152	R235	033-5621-15	1/16W 5.6k ohm	R513	033-1011-15	1/16W 100 ohm
L514	658-0240-30	JOJCC0000152	R236	033-5621-15	1/16W 5.6k ohm	R514	658-0240-18	150 ohm 1/16W
L515	658-0240-30	JOJCC0000152	R251	033-1031-15	1/16W 10k ohm	R515	033-3931-15	1/16W 39k ohm
L516	658-0240-30	JOJCC0000152	R252	033-4731-15	1/16W 47k ohm	R516	033-4731-15	1/16W 47k ohm
L541	658-0240-30	JOJCC0000152	R253	033-1531-15	1/16W 15k ohm	R517	033-4731-15	1/16W 47k ohm
L701	658-0240-46	470PF 50WV	R254	033-1531-15	1/16W 15k ohm	R518	033-2201-15	1/16W 22 ohm
L702	658-0240-46	470PF 50WV	R255	033-1531-15	1/16W 15k ohm	R519	033-2201-15	1/16W 22 ohm
L703	658-0240-57	JOMAB0000015	R261	658-0237-56	Resistor Network	R521	033-1011-15	1/16W 100 ohm
L704	658-0240-57	JOMAB0000015	R262	658-0244-14	NetworkResistor	R522	658-0240-47	33 ohm 1/16W
L705	658-0246-31	G1JC2R2K00013	R263	658-0244-09	Chip,1/16W27 ohm	R523	116-1001-10	1/8W 10 ohm
L721	658-0246-32	JOJCC0000159	R264	033-2201-15	1/16W 22 ohm	R524	658-0240-47	33 ohm 1/16W
L722	658-0246-32	JOJCC0000159	R265	033-2201-15	1/16W 22 ohm	R525	658-0240-47	33 ohm 1/16W
L723	658-0246-32	JOJCC0000159	R266	033-0000-05	1/16W 0 ohm	R526	658-0240-18	150 ohm 1/16W
L724	658-0246-32	JOJCC0000159	R267	033-1031-15	1/16W 10k ohm	R527	658-0244-11	Chip,1/16W1k ohm
Q151	658-0237-14	TR 2SB766ATX	R268	033-1021-15	1/16W 1k ohm	R528	658-0240-48	75 ohm 1/10W
Q152	658-0237-14	TR 2SB766ATX	R269	033-1031-15	1/16W 10k ohm	R541	033-3321-15	1/16W 3.3k ohm
Q153	658-0240-10	B1GDCFN00007	R270	033-3931-15	1/16W 39k ohm	R543	033-4711-15	1/16W 470 ohm
Q154	658-0240-11	B1GBCFN00009	R271	658-0237-56	Resistor Network	R552	033-1031-15	1/16W 10k ohm
Q251	658-0244-04	Transistor B3HB00000023	R272	658-0237-58	Resistor Network	R553	033-1031-15	1/16W 10k ohm
Q252	658-0244-04	Transistor B3HB00000023	R273	658-0237-58	Resistor Network	R554	033-2021-15	1/16W 2k ohm
Q253	658-0244-04	Transistor B3HB00000023	R274	658-0244-14	NetworkResistor	R555	033-3931-15	1/16W 39k ohm
Q301	658-0237-18	TR B1GBGEEA0001	R275	033-2201-15	1/16W 22 ohm	R556	033-3931-15	1/16W 39k ohm
Q321	658-0244-05	Transistor B1GBGFGG0001	R276	033-2201-15	1/16W 22 ohm	R557	033-3931-15	1/16W 39k ohm
R101	033-1231-15	1/16W 12k ohm	R277	033-2201-15	1/16W 22 ohm	R570	033-4711-15	1/16W 470 ohm
R102	033-1231-15	1/16W 12k ohm	R278	033-2201-15	1/16W 22 ohm	R571	033-4711-15	1/16W 470 ohm
R103	658-0237-41	1/16W 24k ohm	R279	033-2201-15	1/16W 22 ohm	R572	033-4711-15	1/16W 470 ohm
R104	658-0237-42	1/16W 3.9k ohm Metal	R280	033-2201-15	1/16W 22 ohm	R573	033-4711-15	1/16W 470 ohm
R106	658-0237-43	1/16W 18k ohm Metal	R281	033-2201-15	1/16W 22 ohm	R574	033-4711-15	1/16W 470 ohm
R107	033-4721-15	1/16W 4.7k ohm	R282	033-2201-15	1/16W 22 ohm	R575	033-4711-15	1/16W 470 ohm
R110	033-2021-15	1/16W 2k ohm	R283	033-2201-15	1/16W 22 ohm	R576	033-4711-15	1/16W 470 ohm
R121	033-1221-15	1/16W 1.2k ohm	R284	033-2201-15	1/16W 22 ohm	R577	033-4711-15	1/16W 470 ohm
R131	033-1051-15	1/16W 1M ohm	R285	033-2201-15	1/16W 22 ohm	R621	658-0240-18	150 ohm 1/16W
R132	033-1051-15	1/16W 1M ohm	R286	033-2201-15	1/16W 22 ohm	R623	033-1031-15	1/16W 10k ohm
R141	033-1031-15	1/16W 10k ohm	R287	033-2201-15	1/16W 22 ohm	R631	658-0240-50	75 ohm 1/16W
R142	033-1031-15	1/16W 10k ohm	R288	033-2201-15	1/16W 22 ohm	R651	033-2021-15	1/16W 2k ohm
R151	033-2291-15	1/16W 2.2 ohm	R289	033-2201-15	1/16W 22 ohm	R701	033-1011-15	1/16W 100 ohm
R152	658-0237-40	1/2W 20 ohm	R290	033-2201-15	1/16W 22 ohm	R702	033-1011-15	1/16W 100 ohm
R153	033-2291-15	1/16W 2.2 ohm	R291	033-3931-15	1/16W 39k ohm	R703	033-1011-15	1/16W 100 ohm
R154	658-0237-40	1/2W 20 ohm	R292	033-3931-15	1/16W 39k ohm	R704	033-0000-05	1/16W 0 ohm
R155	033-1021-15	1/16W 1k ohm	R293	033-3931-15	1/16W 39k ohm	R705	033-0000-05	1/16W 0 ohm
R156	033-3331-15	1/16W 33k ohm	R294	033-3931-15	1/16W 39k ohm	R706	033-0000-05	1/16W 0 ohm
R157	033-2231-15	1/16W 22k ohm	R295	033-3931-15	1/16W 39k ohm	R707	033-1011-15	1/16W 100 ohm
R201	033-4711-15	1/16W 470 ohm	R296	033-3931-15	1/16W 39k ohm	R708	033-1011-15	1/16W 100 ohm
R202	033-1031-15	1/16W 10k ohm	R297	033-3931-15	1/16W 39k ohm	R709	033-2211-15	1/16W 220 ohm
R203	033-1031-15	1/16W 10k ohm	R298	033-3931-15	1/16W 39k ohm	R711	118-0000-10	0 ohm
R212	658-0240-18	150 ohm 1/16W	R301	033-1811-15	1/16W 180 ohm	R712	118-0000-10	0 ohm
R214	033-4721-15	1/16W 4.7k ohm	R302	033-1811-15	1/16W 180 ohm	R713	033-2211-15	1/16W 220 ohm
R215	033-4721-15	1/16W 4.7k ohm	R303	033-1811-15	1/16W 180 ohm	R714	033-2211-15	1/16W 220 ohm
R216	033-2731-15	1/16W 27k ohm	R311	033-4731-15	1/16W 47k ohm	R715	033-2211-15	1/16W 220 ohm
R217	033-2731-15	1/16W 27k ohm	R312	033-1811-15	1/16W 180 ohm	R716	033-2211-15	1/16W 220 ohm
R218	033-1031-15	1/16W 10k ohm	R313	033-6821-15	1/16W 6.8k ohm	R717	033-1011-15	1/16W 100 ohm
R219	033-3321-15	1/16W 3.3k ohm	R314	033-5621-15	1/16W 5.6k ohm	R718	033-1011-15	1/16W 100 ohm
R220	033-3321-15	1/16W 3.3k ohm	R315	033-5621-15	1/16W 5.6k ohm	R721	033-1011-15	1/16W 100 ohm
R221	033-1051-15	1/16W 1M ohm	R316	033-1031-15	1/16W 10k ohm	R722	033-1011-15	1/16W 100 ohm
R222	033-4711-15	1/16W 470 ohm	R317	033-5621-15	1/16W 5.6k ohm	R723	033-1011-15	1/16W 100 ohm
			R321	033-4721-15	1/16W 4.7k ohm	R724	033-1011-15	1/16W 100 ohm
			R322	033-4731-15	1/16W 47k ohm	R725	033-1011-15	1/16W 100 ohm
			R323	658-0244-10	Chip,1/8W0.51 ohm	SW301	658-0244-13	Switch
			R324	033-1011-15	1/16W 100 ohm			K0L1BA000104
			R325	033-1011-15	1/16W 100 ohm	XL201	658-0237-52	H0J168500003
			R327	117-0000-10	0 ohm	XL501	658-0239-02	Crystal Oscillator