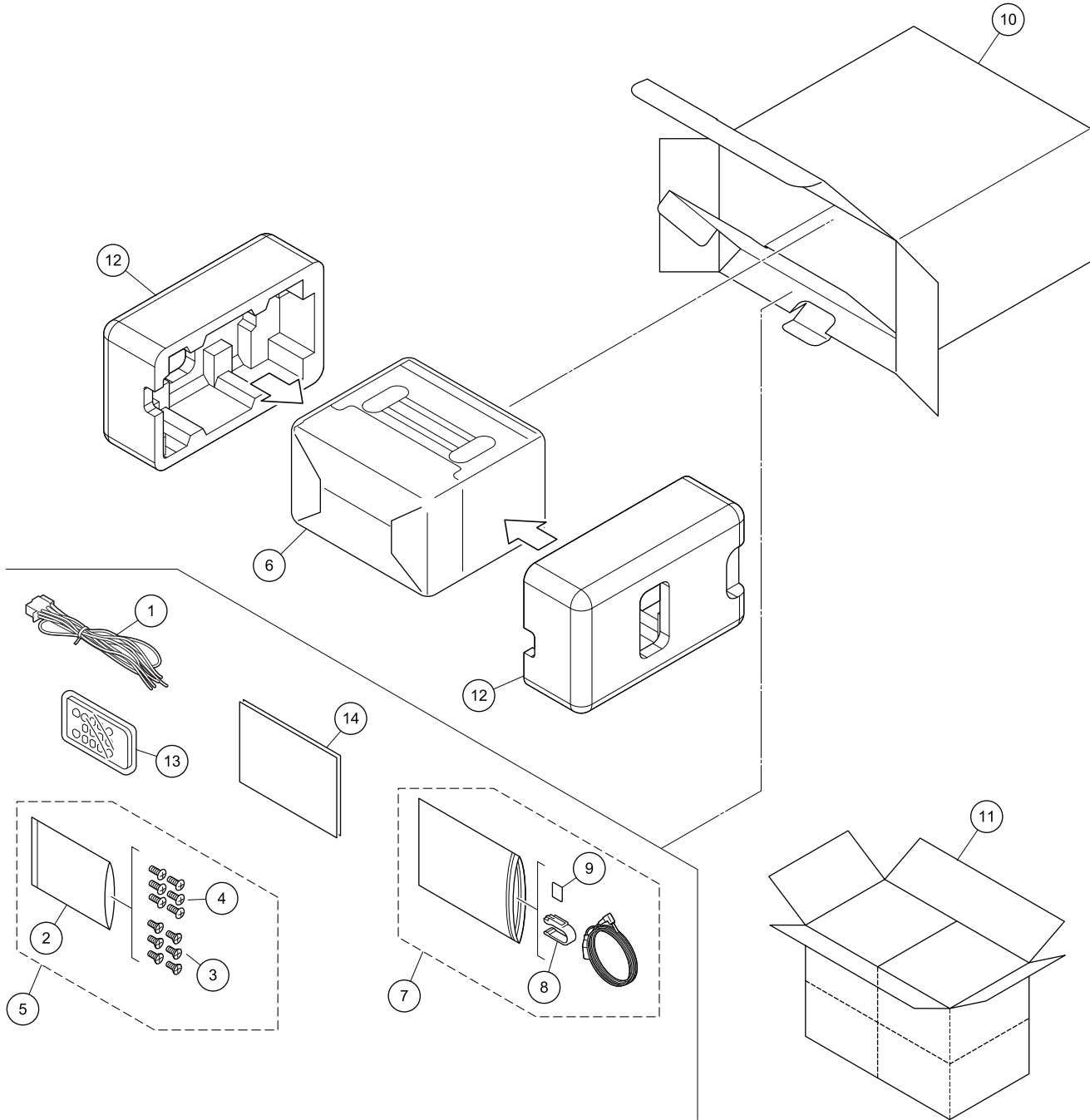


9. EXPLODED VIEWS AND PARTS LIST

NOTES : • Parts marked by " * " are generally unavailable because they are not in our Master Spare Parts List.
• The ⚠ mark found on some component parts indicates the importance of the safety factor of the part. Therefore, when replacing, be sure to use parts of identical designation.
• Screw adjacent to ∇ mark on the product are used for disassembly.
• For the applying amount of lubricants or glue, follow the instructions in this manual.
(In the case of no amount instructions, apply as you think it appropriate.)

9.1 PACKING



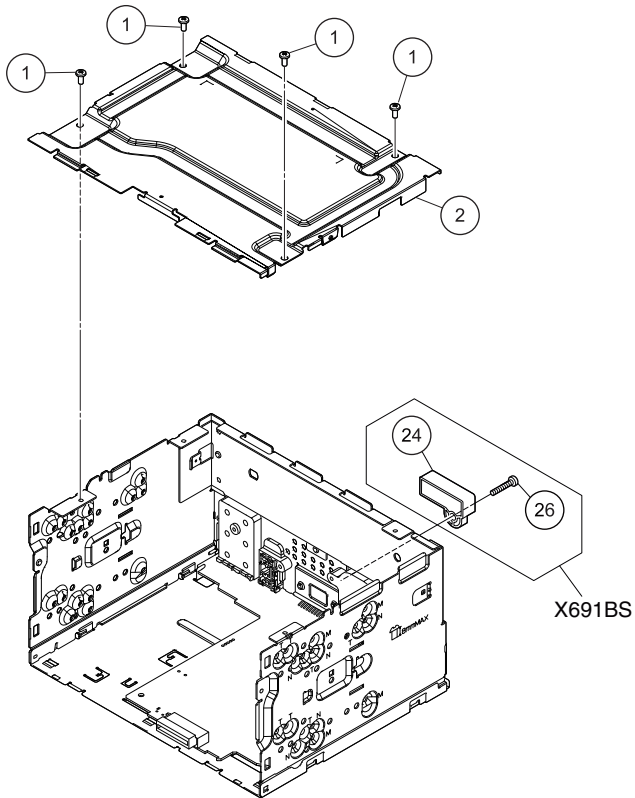
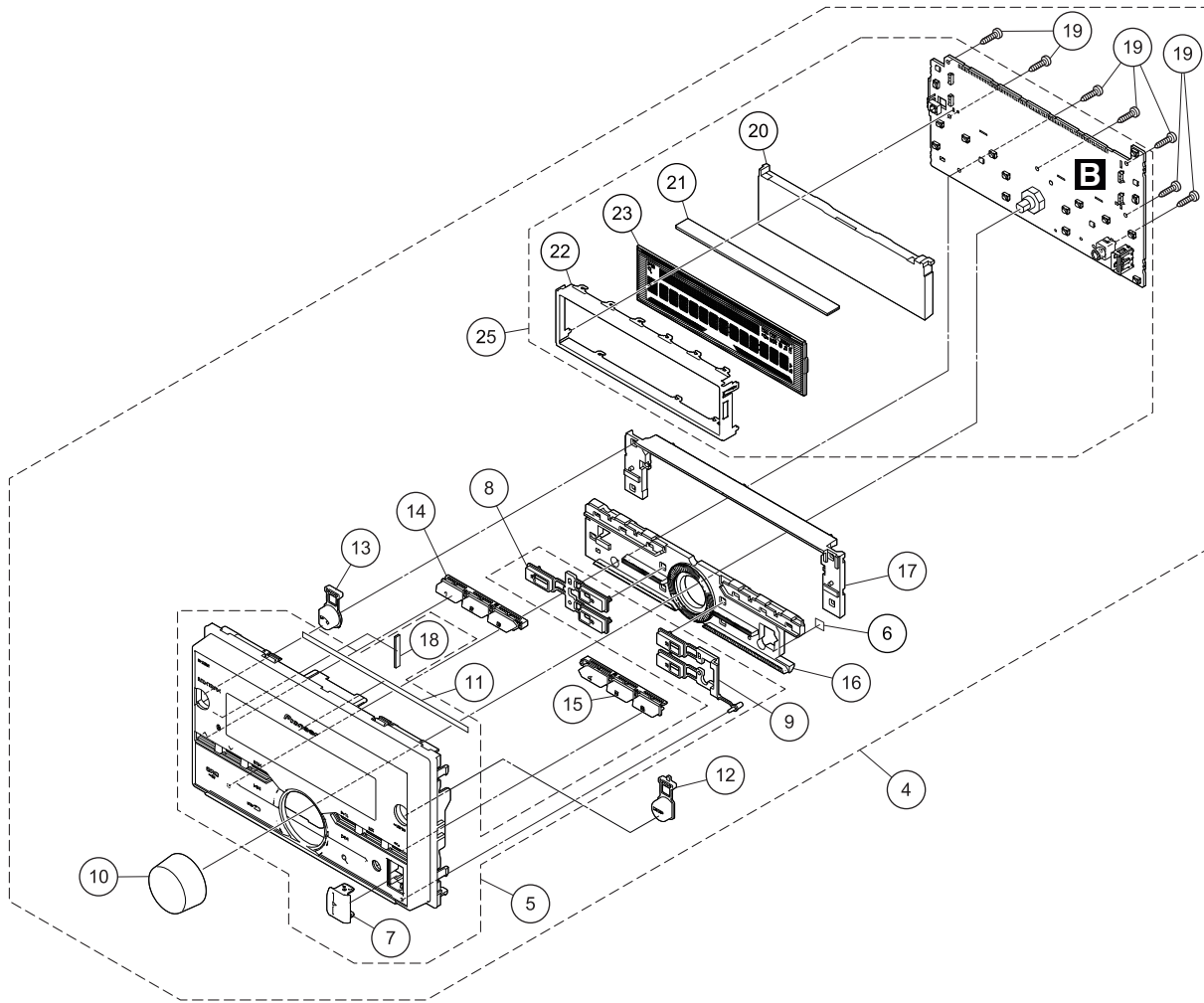
PACKING SECTION PARTS LIST

<u>Mark No.</u>	<u>Description</u>	<u>Part No.</u>	<u>Mark No.</u>	<u>Description</u>	<u>Part No.</u>
1	Cord Assy	CDP1484	10	Unit Box(X690BS)	QHG4024
* 2	Polyethylene Bag	CEG1160		Unit Box(X691BS)	QHG4025
3	Screw	CBA2383	11	Contain Box(X690BS)	QHL4024
4	Screw	CBA2384		Contain Box(X691BS)	QHL4025
5	Accessory Assy	QEA3335	12	Protector	QHP3044
6	Cover	CEG1359	13	Card Remote Control Unit	CXE9605
7	Microphone Assy	CPM1109			
8	Holder	CZN7192	14-1	Owner's Manual	QRD3391
9	Cushion	CZN7193	* 14-2	Warranty Card	QRY3001

Owner's Manual

Part No.	Language
QRD3391	English, French, Spanish(Espanol)

9.2 EXTERIOR(1)



MVH-X690BS/XNUC

EXTERIOR(1) SECTION PARTS LIST

<u>Mark No.</u>	<u>Description</u>	<u>Part No.</u>	
1	Screw	BSZ26P060FTC	
2	Case	CNB3945	A
3		
4	Grille Assy(X690BS)	QXA4961	
	Grille Assy(X691BS)	QXA4962	
5	Grille Unit(X690BS)	QXA4917	
	Grille Unit(X691BS)	QXA4918	
6	Sheet	QNM3145	
7	Door	QAT3022	
8	Button	QAC3235	
9	Button	QAC3236	B
10	Knob Unit	QXA4278	
11	Sheet	QNM3149	
12	Button(DISP)	QAC3231	
13	Button(PHONE)	QAC3232	
14	Button(1-3)	QAC3233	
15	Button(4-6)	QAC3234	
16	Lighting Conductor	QNV3122	
17	Lighting Conductor	QNV3124	
18	Cushion	QNM3152	C
19	Screw	BPZ20P100FTC	
20	Lighting Conductor	QNV3123	
21	Rubber Connector	QNV3125	
22	Holder	QNC3121	
23	SEGMENT LCD(V1801)	CAW2058	
24	Holder(X690BS)	Not used	
	Holder(X691BS)	CNV7619	
25	Keyboard Unit	QWM4448	
26	Screw(X690BS)	Not used	D
	Screw(X691BS)	BSZ30P160FTC	

9.3 EXTERIOR(2)

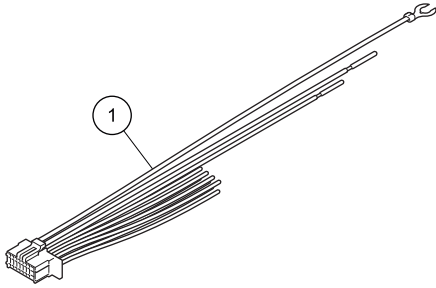
1

2

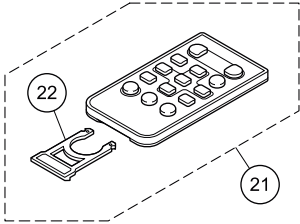
3

4

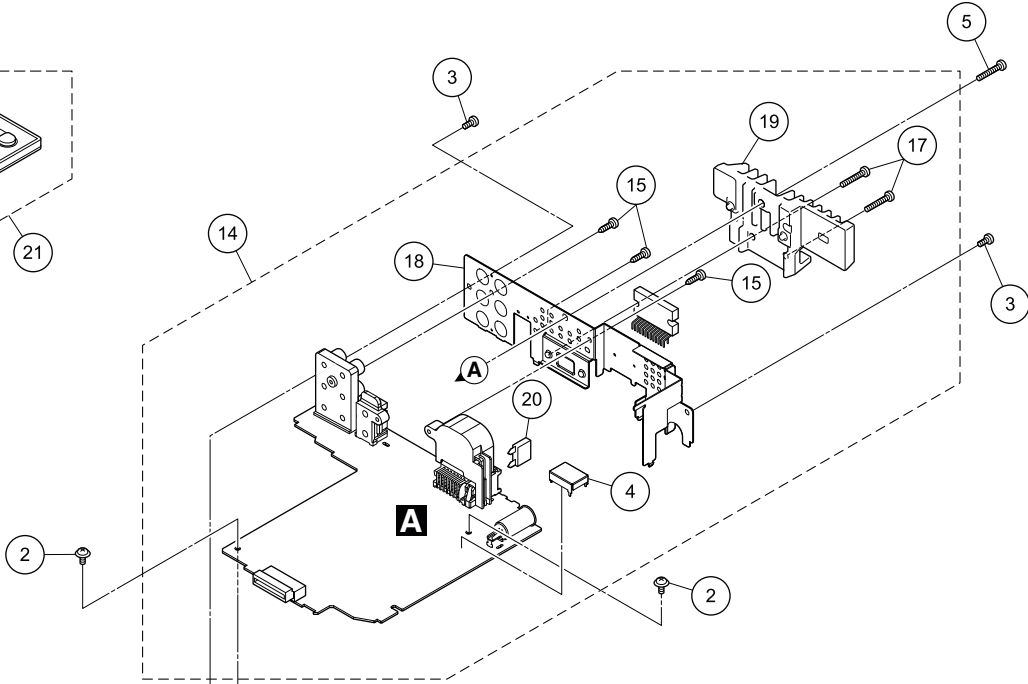
A



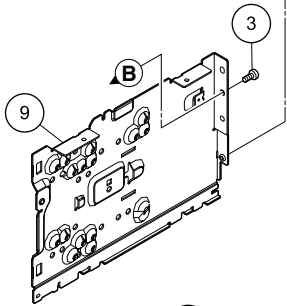
B



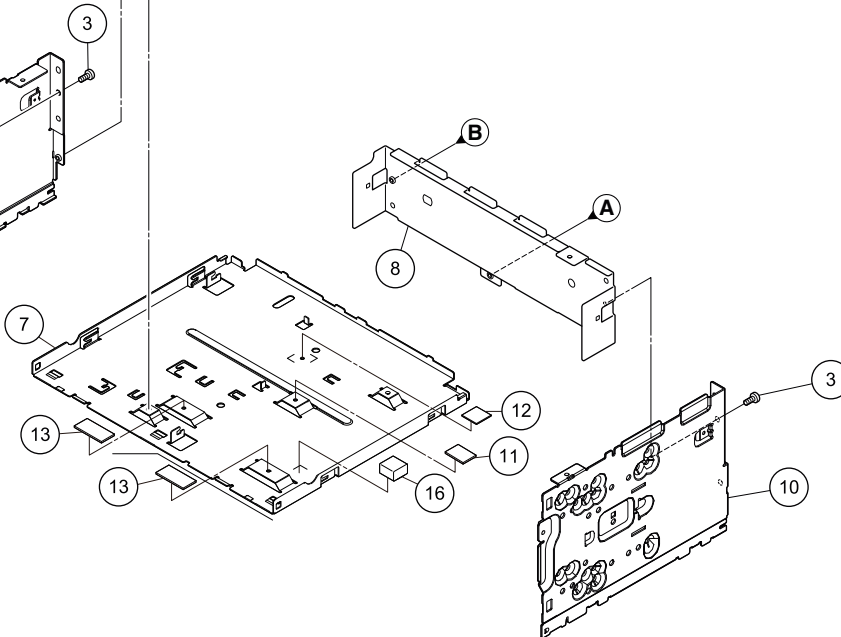
C



D



E



F

1


2

3

4

5 6 7 8

EXTERIOR(2) SECTION PARTS LIST

<u>Mark No.</u>	<u>Description</u>	<u>Part No.</u>	
1	Cord Assy	CDP1484	
2	Screw	ASZ26P050FTC	A
3	Screw	BSZ26P060FTC	
4	Shield Case	QNC3107	
5	Screw	BSZ26P120FTC	
6		
7	Case	QNB3034	
8	Holder	QNC3057	
9	Bracket	QNC3093	
10	Bracket	QNC3094	
11	Sheet	QNM3164	B
12	Sheet	QNM3165	
13	Sheet	QNM3135	
14	Tuner Amp Unit(X690BS)	QWM4446	
	Tuner Amp Unit(X691BS)	QWM4447	
15	Screw	BPZ26P080FTC	
16	Gasket	QNM3174	
17	Screw	BSZ26P120FTC	
18	Holder	QNC3112	
19	Heat Sink	QNR3010	C
 20	Fuse(10 A)	YEK5001	
21	Card Remote Control Unit	CXE9605	
22	Cover	CNU3681	

12. ELECTRICAL PARTS LIST

NOTE:

- Parts whose parts numbers are omitted are subject to being not supplied.
- The part numbers shown below indicate chip components.

Chip Resistor

RS1/○S○○○○J,RS1/○○S○○○○J

Chip Capacitor (except for CQS.....)

CKS....., CCS....., CSZS.....

- Parts marked by " * " are generally unavailable because they are not in our Master Spare Parts List.
- The Δ mark found on some component parts indicates the importance of the safety factor of the part. Therefore, when replacing, be sure to use parts of identical designation.

- The expression of the unit in this manual is shown by u instead of μ . Please do not make a mistake.

	<u>Circuit Symbol and No.</u>	<u>Part No.</u>	<u>Circuit Symbol and No.</u>	<u>Part No.</u>	
A: MVH-X690BS/XNUC			Q 701	Bipolar Transistor	LSAR523UB
			Q 1241	Transistor	EMH53
B: MVH-X691BS/XNUC			Q 1242	Transistor	EMH53
			Q 1243	Transistor	EMH53
			Q 1301	Transistor	EMD52
Unit Number: QWM4446(A)			D 101	Diode	D1F60-5053
Unit Number: QWM4447(B)			D 102	Diode	D1F60-5053
Unit Name : Tuner Amp Unit			D 111	Diode	DZ2J068M0
Unit Number: QWM4448			D 121	Diode	CRG03
Unit Name : Keyboard Unit			D 141	Diode	DZ2J075M0
			D 201	Schottky Diode	RB162M-40
			D 202	Diode	RR264MM-400TF
			D 203	Diode	RB056L-40
			D 206	Schottky Diode	CMS30I30A
			D 207	Schottky Diode	RB751SM-40
			D 208	Diode	DZ2S068C
			D 210	Diode	DZ2S068C
			D 501	Schottky Diode	RB751SM-40
			D 502	Schottky Diode	RB751SM-40
			D 504	Diode	EZAEG2A50AX
			D 505	Diode	EZAEG2A50AX
			D 1201	Diode	DZ2S068C
			D 1206	Diode	DZ2S068C
			D 1207	Diode	DZ2S068C
			D 1208	Diode	DZ2S068C
			D 1209	Diode	DZ2S068C
			D 1210	Diode	DZ2S068C
			D 1293	Rectifier Diode	DAN202UM
			D 1301	Diode	CRG03
			D 1302	Diode	CRG03
			L 101	Choke Coil	CTH1620
			L 201	SMD SPL Inductor	CTH1521
			L 202	SMD SPL Inductor	CTH1524
			L 401	Inductor	CTF1793
			L 502	Inductor	CTF1645
			L 503	Chip Beads	VTL1133
			L 504	Chip Beads	VTL1133
			L 505	Chip Beads	VTL1133
			L 854	Inductor	LCMAR27J1608
			L 855	Inductor	CTF1786
			L 856	Inductor	CTF1389
			L 860	Inductor	LCYC150K1608
			L 1001	Inductor	CTF1786
			L 1276	Chip Beads	VTL1126
			L 1277	Chip Beads	VTL1126
MISCELLANEOUS					
D IC 201	Power supply IC	BD49101AEFS			
IC 202	Power supply IC	BD2232G-G			
* IC501	Microprocessor IC	STA1080	D 505	Diode	EZAEG2A50AX
IC 502	IC	S-80827CNMC-B8M	D 1201	Diode	DZ2S068C
IC 503	L-MOS And Gate	TC7SET08FUS1	D 1206	Diode	DZ2S068C
			D 1207	Diode	DZ2S068C
			D 1208	Diode	DZ2S068C
IC 504	IC	TC7SH126FU			
IC 701	IC	337S3959	D 1209	Diode	DZ2S068C
IC 702	RAM IC	M12L128168A-5TG2N	D 1210	Diode	DZ2S068C
IC 731	ROM IC	M95512-RMN6P	D 1293	Rectifier Diode	DAN202UM
IC 741	Flash ROM Unit	QWW4065	D 1301	Diode	CRG03
			D 1302	Diode	CRG03
IC 742	IC	MX25L1636EM2I-08G			
E IC 751	E-VOL System LSI	PM9015A	L 101	Choke Coil	CTH1620
IC 851	Tuner IC	TEF6686HN-V102	L 201	SMD SPL Inductor	CTH1521
IC 1301	Power Amp IC	PAL013B	L 202	SMD SPL Inductor	CTH1524
Q 111	Bipolar Transistor	LSCR523UB	L 401	Inductor	CTF1793
			L 502	Inductor	CTF1645
Q 121	Resistor Built-in Transistor	LTC014EEB			
Q 141	Bipolar Transistor	LSCR523UB	L 503	Chip Beads	VTL1133
Q 142	Bipolar Transistor	LSCR523UB	L 504	Chip Beads	VTL1133
Q 201	Bipolar Transistor	LSCR523UB	L 505	Chip Beads	VTL1133
Q 202	FET	SSM3J332R	L 854	Inductor	LCMAR27J1608
			L 855	Inductor	CTF1786
Q 203	Power MOS FET	RRR040P03			
Q 441	Transistor	2SAR502UB	L 856	Inductor	CTF1389
Q 442	Resistor Built-in Transistor	LTC023YEB	L 860	Inductor	LCYC150K1608
Q 481	Transistor	2SAR502UB	L 1001	Inductor	CTF1786
Q 482	Resistor Built-in Transistor	LTC043EEB	L 1276	Chip Beads	VTL1126
			L 1277	Chip Beads	VTL1126

5		6		7		8	
<u>Circuit Symbol and No.</u>		<u>Part No.</u>		<u>Circuit Symbol and No.</u>		<u>Part No.</u>	
L 1278	Chip Beads	VTL1126		R 229		RS1/16SS3902D	
L 1279	Chip Beads	VTL1126		R 230		RS1/16SS682J	
L 1292	Chip Beads	VTL1126		R 231		RS1/16SS4703D	A
L 1293	Chip Beads	VTL1126		R 232		RS1/16SS1503D	
L 1294	Chip Beads	VTL1126		R 233		RS1/16SS1003D	
L 1295	Chip Beads	VTL1126		R 234		RS1/16SS7503D	
L 1296	Chip Beads	VTL1126		R 235		RS1/16SS1603D	
L 1297	Chip Beads	VTL1126		R 236		RS1/16SS102J	
T 851	Variable Coil	CTC1215		R 237		RS1/16SS102J	
X 501	Resonator 24 MHz	CSS1773		R 238		RS1/16SS102J	
X 502	Resonator 32.768 kHz	CSS1807		R 239		RS1/16SS101J	
X 751	Crystal Resonator	CSS1826		R 240		RS1/16SS221J	
X 851	Crystal Resonator	CSS1868		R 241		RS1/16SS121J	
P 401	Poly Switch	FSMD110-24R		R 242		RS1/16SS6801F	B
P 852	Surge Absorber	IMSA-6803-01Y900		R 244		RS1/16SS473J	
P 1243	Poly Switch	FSMD075-24R		R 245		RS1/8SQ0R0J	
P 1276	Poly Switch	FSMD075-24R		R 248		RS1/16SS332J	
VA321	SMD Varistor	MLV0402ES012V0010N		R 250		RS1/10SR471J	
VA 1201	SMD Varistor	MLV0402ES012V0010N		R 256		RS1/16SS0R0J	
VA 1202	SMD Varistor	MLV0402ES012V0010N		R 260		RS1/16SS473J	
U 1001	BT Module	CWX4751		R 263		RS1/10SR471J	
CN1201	Connector	CKS6452		R 264		RS1/10SR0R0J	
JA 101	Plug	CKM1624		R 268		RS1/10SR0R0J	
JA851	Antenna Jack	CKX1104		R 269		RS1/16SS101J	
JA 1231	Connector	CKS3806		R 322		RS1/16SS0R0J	C
JA 1241	RCA Jack	CKB1113		R 404		RS1/10SR0R0J	
JA 1276	Jack	CKN1103		R 406		RS1/16SS183J	
				R 441		RS1/16SS103J	
				R 442		RS1/10SR221J	
				R 481		RS1/16SS471J	
<u>RESISTORS</u>							
R 111		RS1/16SS223J					
R 112		RS1/16SS473J		R 482		RS1/16SS103J	
R 113		RS1/16SS682J		R 503		RS1/16SS222J	
R 114		RS1/4SA102J		R 504		RS1/16SS222J	
R 121		RS1/16SS103J		R 506		RS1/16SS473J	
				R 507		RS1/16SS473J	
R 123		RS1/4SA102J					D
R 141		RS1/16SS104J		R 508		RS1/16SS473J	
R 142		RS1/16SS473J		R 509		RS1/16SS473J	
R 143		RS1/16SS103J		R 510		RS1/16SS473J	
R 144		RS1/16SS472J		R 511		RS1/16SS473J	
				R 512		RS1/16SS101J	
R 145		RS1/16SS0R0J					
R 202		RS1/16SS3303D		R 513		RS1/16SS222J	
R 207		RS1/16SS222J		R 514		RS1/16SS221J	
R 208		RS1/16SS472J		R 515		RS1/16SS221J	
R 209		RS1/4SA472J		R 516		RS1/16SS221J	
				R 517		RS1/16SS221J	
R 210		RS1/16SS103J					
R 214		RS1/16SS102J		R 518		RS1/16SS472J	E
R 215		RS1/16SS2403D		R 519		RS1/16SS271J	
R 216		RS1/16SS7502D		R 522		RS1/16SS0R0J	
R 217		RS1/16SS4303D		R 524		RS1/16SS3001D	
				R 525		RS1/16SS103J	
R 218		RS1/16SS4303D					
R 219		RS1/16SS104J		R 526		RS1/16SS1213F	
R 220		RS1/16SS3903D		R 529		RS1/16SS0R0J	
R 221		RS1/16SS6202D		R 530		RS1/16SS0R0J	
R 222		RS1/16SS6802D		R 531		RS1/16SS222J	
				R 532		RS1/16SS102J	
R 223		CCN1401					
R 224		RS1/16SS6802D		R 533		RS1/10SR103J	F
R 225		RS1/16SS102J		R 534		RS1/10SR103J	
R 226		RS1/16SS1203D		R 537		RS1/16SS473J	
R 227		RS1/16SS1802D		R 538 (A)		RS1/16SS472J	
				R 538 (B)		RS1/16SS473J	

1

Circuit Symbol and No.

2

Part No.

3

Circuit Symbol and No.

4

Part No.

A	R 539 (B)	RS1/16SS223J	R 643	RS1/16SS101J
	R 540	RS1/16SS103J	R 644	RS1/16SS102J
	R 541	RS1/16SS103J	R 645	RS1/16SS101J
	R 546	RS1/16SS103J	R 646	RS1/16SS102J
	R 547	RS1/16SS473J	R 647	RS1/16SS102J
	R 548	RS1/16SS102J	R 648	RS1/16SS102J
	R 550	RS1/16SS103J	R 649	RS1/16SS102J
	R 551	RS1/16SS103J	R 650	RS1/16SS121J
	R 554	RS1/16SS222J	R 651	RS1/16SS102J
	R 555	RS1/16SS0R0J	R 652	RS1/16SS101J
B	R 557	RS1/16SS221J	R 653	RS1/16SS102J
	R 558	RS1/16SS221J	R 654	RS1/16SS102J
	R 559	RS1/16SS221J	R 655	RS1/16SS102J
	R 560	RS1/16SS473J	R 657	RS1/4SA0R0J
	R 561	RS1/16SS103J	R 658	RS1/4SA0R0J
	R 563	RS1/16SS0R0J	R 659	RS1/10SR0R0J
	R 564	RS1/16SS472J	R 672	RS1/16SS101J
	R 565	RS1/16SS0R0J	R 701	RS1/16SS103J
	R 566	RAB4CQ473J	R 702	RS1/16SS472J
	R 570	RS1/16SS221J	R 703	RS1/16SS101J
C	R 571	RS1/16SS221J	R 704	RS1/16SS101J
	R 573	RS1/16SS473J	R 705	RS1/16SS222J
	R 574	RS1/16SS473J	R 706	RS1/16SS222J
	R 575	RS1/16SS473J	R 707	RS1/16SS472J
	R 576	RS1/16SS473J	R 708	RS1/16SS272J
	R 577	RS1/16SS473J	R 709	RS1/16SS473J
	R 578	RS1/16SS473J	R 710	RS1/16SS0R0J
	R 579	RS1/16SS473J	R 711	RS1/16SS0R0J
	R 580	RS1/16SS473J	R 714	RAB4CQ121J
	R 581	RS1/16SS472J	R 715	RAB4CQ121J
D	R 584	RS1/16SS102J	R 716	RAB4CQ121J
	R 586	RS1/16SS103J	R 717	RAB4CQ121J
	R 587	RS1/16SS0R0J	R 718	RAB4CQ121J
	R 591	RS1/16SS361J	R 719	RAB4CQ121J
	R 595	RS1/16SS0R0J	R 720	RAB4CQ121J
	R 596	RS1/16SS0R0J	R 721	RAB4CQ121J
	R 597	RS1/16SS102J	R 722	RAB4CQ121J
	R 599	RS1/16SS102J	R 724	RS1/16SS121J
	R 610	RS1/16SS473J	R 728	RS1/10SR0R0J
	R 611	RS1/16SS472J	R 729	RS1/10SR0R0J
	R 612	RS1/16SS473J	R 730	RS1/10SR0R0J
	R 614	RS1/16SS473J	R 731	RS1/16SS330J
	R 615	RS1/16SS103J	R 732	RS1/16SS330J
	R 617	RS1/16SS473J	R 733	RS1/16SS103J
	R 619	RS1/16SS473J	R 734	RS1/16SS103J
E	R 620	RS1/16SS0R0J	R 735	RS1/16SS103J
	R 622	RS1/16SS0R0J	R 736	RS1/16SS330J
	R 627	RS1/16SS153J	R 737	RS1/16SS330J
	R 628	RS1/16SS153J	R 741	RS1/16SS330J
	R 629	RS1/16SS472J	R 742	RS1/16SS103J
	R 630	RS1/16SS101J	R 743	RS1/16SS103J
	R 631	RS1/16SS221J	R 744	RS1/16SS330J
	R 633	RS1/16SS101J	R 745	RS1/16SS330J
	R 634	RS1/16SS101J	R 746	RS1/16SS103J
	R 635	RS1/16SS101J	R 747	RS1/16SS330J
F	R 636	RS1/16SS101J	R 748	RS1/16SS330J
	R 637	RS1/16SS221J	R 749	RS1/16SS330J
	R 638	RS1/16SS221J	R 750	RS1/16SS103J
	R 639	RS1/16SS101J	R 753	RS1/16SS0R0J
	R 642	RS1/16SS0R0J	R 754	RS1/16SS105J

1

2

3

4

	1	2	3	4
	<u>Circuit Symbol and No.</u>	<u>Part No.</u>	<u>Circuit Symbol and No.</u>	<u>Part No.</u>
	C 204	CEVQW221M6R3	C 508	CKSSYB104K10
	C 205 1 uF	CCG1396	C 509 4.7 uF	CCG1212
	C 206 10 uF	CCG1236	C 510	CKSSYB104K10
A	C 208	CCSSCH471J50	C 511 4.7 uF	CCG1212
	C 209	CCSSCH681J50	C 512	CKSSYB104K10
	C 210 2 200 uF/16 V	CCH1405	C 513 4.7 uF	CCG1212
	C 211 10 uF	CCG1192	C 514	CKSSYB104K10
	C 213 1 uF	CCG1396	C 517	CKSSYB104K10
	C 214 10 uF	CCG1192	C 518	CCSSCH100D50
	C 216 10 uF	CCG1236	C 519	CCSSCH100D50
	C 217	CKSRYB105K10	C 520 4.7 uF	CCG1212
	C 218 10 uF	CCG1236	C 521	CKSSYB104K10
	C 220 10 uF	CCG1236	C 522 4.7 uF	CCG1212
	C 221 10 uF	CCG1236	C 523 4.7 uF	CCG1212
B	C 222	CEVW221M10	C 524 4.7 uF	CCG1212
	C 223	CCSSCH221J50	C 525 10 uF	CCG1192
	C 224	CKSRYB105K10	C 526	CKSSYB103K16
	C 225	CKSRYB105K10	C 527 10 uF	CCG1192
	C 227	CCSSCH391J50	C 528	CKSSYB103K16
	C 228	CCSSCH681J50	C 529	CKSSYB104K10
	C 230 10 uF	CCG1192	C 530 4.7 uF	CCG1212
	C 231	CKSRYB104K16	C 531 1 uF	DCH1246
	C 232	CEVQW221M6R3	C 532 1 uF	DCH1246
	C 234 4.7 uF	CCG1212	C 533 4.7 uF	CCG1212
	C 236 10 uF	CCG1236	C 534	CKSSYB104K10
C	C 238 22 uF	CCG1254	C 535	CEVW221M10
	C 239	CCSSCH100D50	C 536	CCSSCH101J50
	C 240	CCSSCH100D50	C 537	CKSSYB103K16
	C 241 10 uF	CCG1192	C 538 10 uF	CCG1192
	C 242	CEVW101M16	C 539	CKSSYB103K16
	C 243 10 uF	CCG1236	C 540 10 uF	CCG1192
	C 245	CKSRYB104K16	C 541	CKSSYB222K50
	C 247	CKSRYB105K10	C 542	CKSSYB104K10
	C 248 1 uF	CCG1393	C 543 1 uF	DCH1246
	C 249	CKSRYB105K10	C 544	CKSSYB473K16
D	C 250	CKSRYB105K10	C 545	CCSSCH100D50
	C 251	CKSRYB105K10	C 546	CCSSCH120J50
	C 252 4.7 uF	CCG1212	C 551	CKSSYB104K10
	C 253 1 uF	CCG1393	C 552 4.7 uF	CCG1212
	C 255 1 uF	DCH1246	C 553 10 uF	CCG1192
	C 257 10 uF	CCG1236	C 555	CKSSYB103K16
	C 259 10 uF	CCG1192	C 556	CKSSYB104K10
	C 260 10 uF	CCG1192	C 557	CKSSYB104K10
	C 261	CKSSYB104K10	C 558	CKSSYB104K10
	C 265 10 uF	CCG1236	C 559	CKSQYB224K50
E	C 266 10 uF	CCG1236	C 560	CKSSYB103K16
	C 270 4.7 uF	CCG1212	C 565	CCSRCH330J50
	C 313	CKSRYB102K50	C 566	CCSRCH330J50
	C 315	CKSRYB104K16	C 569	CCSSCH101J50
	C 317	CKSRYB105K10	C 573	CCSRCH101J50
	C 321	CKSRYB105K10	C 574	CCSSCH101J50
	C 442 10 uF	CCG1192	C 575	CKSSYB104K10
	C 444 10 uF	CCG1192	C 577	CCSSCH101J50
	C 481	CEVQW470M6R3	C 578	CKSSYB104K10
	C 482 1 uF	DCH1246	C 579	CKSSYB104K10
F	C 502	CKSSYB104K10	C 580	CKSRYB104K16
	C 503 4.7 uF	CCG1212	C 583	CKSSYB102K50
	C 505	CKSSYB104K10	C 586	CCSSCH102J50
	C 506 4.7 uF	CCG1212	C 589	CCSSCH101J50
	C 507 4.7 uF	CCG1212	C 701	CKSSYB104K10

5		6		7		8	
<u>Circuit Symbol and No.</u>		<u>Part No.</u>		<u>Circuit Symbol and No.</u>		<u>Part No.</u>	
C 702		CKSSYB104K10		C 878		CKSSYB152K50	
C 707		CKSSYB104K10		C 882	1 uF	DCH1246	
C 711	4.7 uF	CCG1212		C 886		CKSRYB102K50	
C 712	1 uF	DCH1246		C 887		CKSRYB104K50	A
C 713		CKSSYB104K10		C 888		CKSRYB104K16	
C 714	1 uF	DCH1246		C 889		CKSSYB104K10	
C 715	1 uF	DCH1246		C 890	2.2 uF	CCG1205	
C 716	1 uF	DCH1246		C 891	2.2 uF	CCG1205	
C 718		CKSSYB104K10		C 892		CKSRYB105K10	
C 719		CKSSYB104K10		C 1003		CKSRYB104K16	
C 720	1 uF	DCH1246		C 1004		CKSRYB104K16	
C 722		CKSSYB104K10		C 1105	1 uF	DCH1246	
C 723		CKSRYB102K50		C 1107		CKSRYB104K16	
C 724		CKSRYB102K50		C 1108		CKSRYB104K16	
C 730	10 uF	CCG1192		C 1109		CKSSYB102K50	B
C 731		CKSSYB104K10		C 1201		CCSRCH102J50	
C 741	2.2 uF	CCG1205		C 1202		CKSRYB104K50	
C 742		CKSSYB104K10		C 1203		CKSRYB104K16	
C 743		CKSSYB104K10		C 1204		CKSRYB105K10	
C 751		CKSRYB105K10		C 1205		CCSRCH221J50	
C 752		CKSRYB105K10		C 1206		CCSRCH221J50	
C 753		CKSRYB105K10		C 1207		CKSRYB474K10	
C 754		CKSRYB105K10		C 1210		CKSRYB105K10	
C 755		CKSRYB105K10		C 1213		CKSRYB104K16	
C 757		CKSRYB105K10		C 1214		CKSRYB102K50	
C 758		CKSRYB105K10		C 1215		CKSRYB105K10	C
C 759		CKSRYB105K10		C 1217		CCSSCH121J50	
C 760		CKSRYB105K10		C 1218		CKSRYB104K16	
C 762		CEVQW470M6R3		C 1231		CKSRYB104K16	
C 764		CKSSYB104K10		C 1232		CKSRYB105K16	
C 765		CCSSCH151J50		C 1241	10 uF	CCG1192	
C 766		CCSSCH151J50		C 1242	10 uF	CCG1192	
C 767		CEVQW470M6R3		C 1243	10 uF	CCG1192	
C 768		CEVQW470M6R3		C 1244	10 uF	CCG1192	
C 771	10 uF	CCG1192		C 1245	10 uF	CCG1192	
C 772		CKSSYB104K10		C 1246	10 uF	CCG1192	D
C 773		CKSSYB104K10		C 1247		CCSSCH101J50	
C 774		CCSSCH100D50		C 1248		CCSSCH101J50	
C 775		CCSSCH100D50		C 1249		CCSSCH101J50	
C 776		CKSRYB105K10		C 1250		CCSSCH101J50	
C 777		CKSRYB105K10		C 1251		CCSSCH101J50	
C 778		CKSRYB105K10		C 1252		CCSSCH101J50	
C 781		CCSSCH101J50		C 1253		CKSSYB103K16	
C 783	1 uF	DCH1246		C 1254		CKSSYB104K10	
C 790		CKSSYB102K50		C 1255		CKSSYB104K10	
C 791	10 uF	CCG1192		C 1257		CKSSYB102K50	E
C 792		CKSSYB472K50		C 1276		CKSRYB104K16	
C 793		CKSSYB103K16		C 1277		CKSRYB104K16	
C 799		CKSSYB222K50		C 1278		CKSRYB104K16	
C 800		CKSSYB222K50		C 1279		CKSRYB104K16	
C 853		CCSSCH100D50		C 1280		CKSSYB102K50	
C 854		CCSSCH471J50		C 1281		CKSSYB102K50	
C 858		CCSSCH220J50		C 1282		CKSSYB104K10	
C 859		CCSSCH331J50		C 1301		CKSRYB474K10	
C 866		CKSSYB224K6R3		C 1302		CKSRYB474K10	
C 867		CKSSYB102K50		C 1303		CKSRYB474K10	
C 870		CCSSCH102J50		C 1304		CKSRYB474K10	F
C 871		CKSSYB104K10		C 1306		CKSRYB105K10	
C 872		CKSSYB104K10		C 1310	10 uF/16 V	DCH1263	
C 874		CCSSCH390J50		C 1311	2.2 uF	CCG1205	

1

Circuit Symbol and No.

2

Part No.

3

Circuit Symbol and No.

4

Part No.

C	1312	CKSRYB104K50
C	1316	CKSRYB104K50
C	1317	CKSRYB105K10
C	1319	CKSSYB103K16
C	1328	CKSRYB105K10
C	1330	CKSSYB104K10

JA	1802	Jack
V	1801	Segment LCD

CKN	1090
CAW	2058

RESISTORS

R	1801	RS1/10SR182J
R	1802	RS1/10SR680J
R	1804	RS1/10SR332J
R	1805	RS1/10SR182J
R	1806	RS1/10SR680J

R	1808	RS1/10SR332J
R	1809	RS1/10SR182J
R	1810	RS1/10SR680J
R	1812	RS1/10SR332J
R	1813	RS1/10SR182J

R	1814	RS1/10SR680J
R	1816	RS1/10SR332J
R	1817	RS1/10SR182J
R	1818	RS1/10SR680J
R	1820	RS1/10SR332J

R	1821	RS1/10SR182J
R	1822	RS1/10SR680J
R	1824	RS1/10SR332J
R	1827	RS1/10SR182J
R	1828	RS1/10SR390J

R	1831	RS1/10SR332J
R	1832	RS1/10SR182J
R	1833	RS1/10SR390J
R	1835	RS1/10SR101J
R	1836	RS1/10SR332J

R	1840	RS1/10SR182J
R	1841	RS1/10SR390J
R	1843	RS1/10SR332J
R	1844	RS1/10SR273J
R	1846	RS1/10SR182J

R	1847	RS1/10SR390J
R	1849	RS1/10SR332J
R	1850	RS1/10SR182J
R	1851	RS1/10SR390J
R	1853	RS1/10SR332J

R	1857	RS1/10SR182J
R	1858	RS1/10SR390J
R	1860	RS1/10SR332J
R	1863	RS1/10SR222J
R	1864	RS1/10SR222J

R	1865	RS1/10SR222J
R	1866	RS1/10SR222J
R	1869	RS1/10SR0R0J
R	1870	RS1/10SR0R0J
R	1871	RS1/10SR0R0J

R	1872	RS1/10SR0R0J
R	1873	RS1/10SR472J
R	1877	RS1/10SR121J
R	1878	RS1/10SR121J
R	1879	RS1/10SR221J

R	1880	RS1/10SR121J
R	1881	RS1/10SR121J
R	1882	RS1/8SQ221J
R	1883	RS1/10SR121J
R	1884	RS1/10SR121J

MISCELLANEOUS

IC	1801	Driver IC	BU97540KV-M
IC	1802	Driver IC	BU97540KV-M
IC	1803	IC	PNJ4833M
Q	1801	Bipolar Transistor	LSCR523UB
Q	1802	Bipolar Transistor	LSCR523UB
Q	1803	Bipolar Transistor	LSCR523UB
Q	1804	Bipolar Transistor	LSCR523UB
Q	1805	Bipolar Transistor	LSCR523UB
Q	1806	Bipolar Transistor	LSCR523UB
Q	1807	Bipolar Transistor	LSCR523UB
Q	1808	Bipolar Transistor	LSCR523UB
Q	1809	Bipolar Transistor	LSCR523UB
Q	1810	Bipolar Transistor	LSCR523UB
Q	1811	Bipolar Transistor	LSCR523UB
Q	1812	Bipolar Transistor	LSCR523UB
D	1801	LED	NSSM124-6717
D	1802	LED	NSSM124-6717
D	1803	LED	NSSM124-6717
D	1804	LED	NSSM124-6717
D	1806	LED	MSL0101RGBU
D	1807	LED	MSL0101RGBU
D	1809	SMD Varistor	MLV0603ES012V0010N
D	1810	SMD Varistor	MLV0603ES012V0010N
D	1811	LED	MSL0101RGBU
D	1812	LED	MSL0101RGBU
D	1815	LED	NSSM124-6717
L	1801	Inductor	CTF1713
L	1803	Inductor	CTF1379
L	1804	Inductor	CTF1379
L	1805	Inductor	CTF1379
S	1801	Push Switch	CSG1155
S	1802	Push Switch	CSG1155
S	1803	Push Switch	CSG1155
S	1804	Push Switch	CSG1155
S	1806	Push Switch	CSG1155
S	1807	Push Switch	CSG1155
S	1808	Push Switch	CSG1155
S	1809	Push Switch	CSG1155
S	1810	Push Switch	CSG1155
S	1811	Push Switch	CSG1155
S	1812	Push Switch	CSG1155
S	1813	Push Switch	CSG1155
S	1814	Push Switch	CSG1155
S	1815	Encoder(MULTI-CONTROL)	CSD1168
S	1816	Push Switch	CSG1155
CN	1801	Connector	CKS6451
JA	1801	Connector	CKS6443

1

2

3

4

5
Circuit Symbol and No.

6
Part No.
RS1/8SQ221J

R 1885

CAPACITORS

C 1801		CKSRYB105K10
C 1802		CKSRYB105K10
C 1818	10 uF	CCG1192
C 1819		CKSRYB105K10
C 1822		CKSRYB104K16
C 1843		CKSRYB105K16
C 1844		CKSRYB105K16
C 1849	4.7 uF	CCG1212
C 1850		CCSRCH470J50
C 1851		CCSRCH470J50

A

B

C

D

E

F