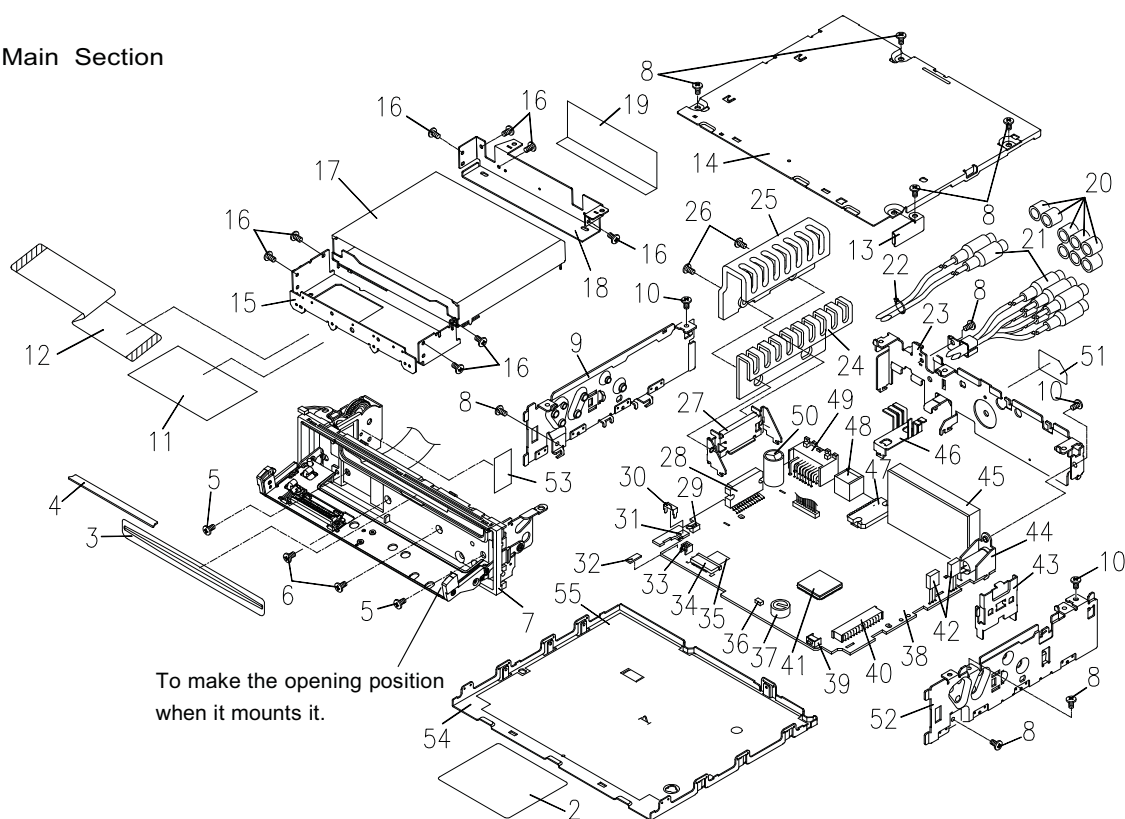
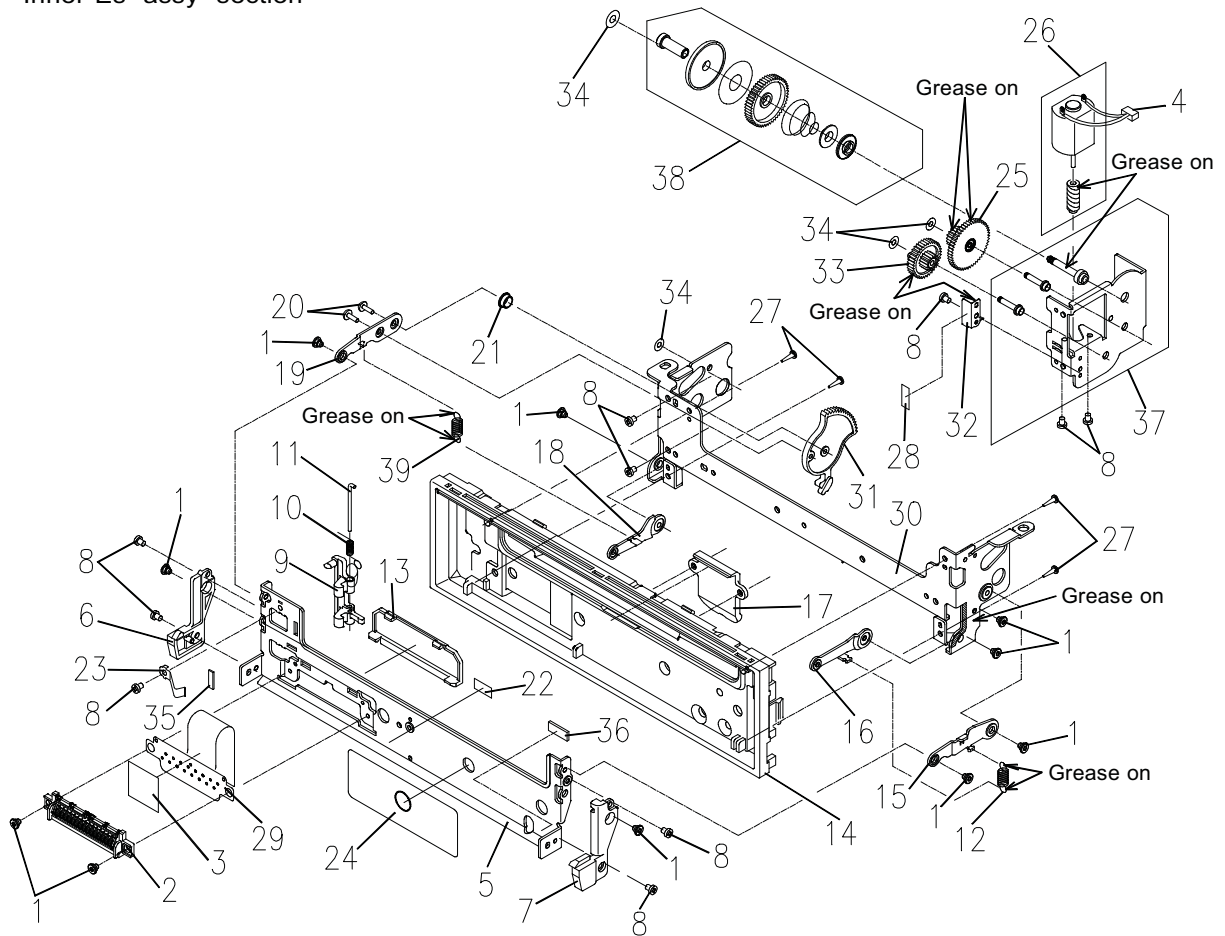


Main Section



NO.	PARTS NO.	DESCRIPTION	QTY	NO.	PARTS NO.	DESCRIPTION	QTY
2	286-9868-01	SETPLATE	1	30	331-3378-00	SW-HOLDER	1
3	346-0147-00	LEATHER SHEET	1	31	013-7206-50	DETECTOR SWITCH	1
4	347-6727-00	FILM	1	32	345-8701-00	CUSHION	1
5	716-0717-10	STEEL SCREW	2	33	076-0313-02	PLUG	1
6	780-2005-00	SCREW	2	34	074-1198-68	OUTLET SOCKET	1
7	-----	INNER-ES ASSY	1	35	347-6215-00	SPACER FILM	1
8	731-3006-80	TAPTIGHT	8	36	001-7011-95	DIODE	1
9	305-0274-01	SIDE-CVR(L)	1	37	042-0576-00	DOUBLE-LAYER-C	1
10	714-3006-81	MACHINE SCREW	3	38	039-2089-00	MAIN PWB (WITHOUT COMPONENT)	1
11	347-6729-00	INSULATOR	1	39	013-6100-00	SWITCH	1
12	816-2569-50	FLAT CABLE	1	40	074-1138-76	OUTLET SOCKET	1
13	331-2744-00	STOPPER	1	41	052-3906-30	MICOM	1
14	303-0472-00	UPPER-CVR	1	42	103-2012-00	TRANSISTOR	2
15	331-3323-01	CD-SUB-BRKT	1	43	313-1651-21	HEAT SINK	1
16	714-2603-80	MACHINE SCREW	8	44	092-4000-51	ANT-RECEPT	1
17	929-0220-83	CD-MECH-MODULE	1	45	880-2089B	TUNER	1
18	331-3324-00	CD-SUB-BRKT	1	46	313-1772-00	HEAT SINK	1
19	347-6705-00	INSULATOR	1	47	051-3261-00	IC	1
20	345-3799-20	RUBBER PART	8	48	074-1194-00	OUTLET SOCKET	1
21	855-5456-50	RCA PIN CORD	1	49	074-1214-00	OUTLET SOCKET	1
22	335-0833-01	LEAD HOLDER	1	50	042-0447-00	ALUMI-ELE-C	1
23	307-0616-03	REAR-CVR	1	51	347-6245-00	FILM	1
24	313-1814-00	HEAT SINK	1	52	305-0275-00	SIDE-CVR(R)	1
25	313-1813-00	HEAT SINK	1	53	347-6536-00	PROTECT SHEET	1
26	731-3008-89	TAPTIGHT	2	54	304-0460-01	LOWER-CVR	1
27	331-2255-20	IC HOLDER	1	55	347-5918-00	INSULATOR	1
28	051-2041-00	IC	1				
29	013-7106-00	DETECTOR SWITCH	1				

Inner-Es assy section



NO.	PARTS NO.	DESCRIPTION	QTY	NO.	PARTS NO.	DESCRIPTION	QTY
1	716-1715-02	DECORATIVE SCREW	10	21	341-1740-00	ROLLER	1
2	074-1278-00	OUTLET SOCKET	1	22	347-6527-00	CUSHION	1
3	347-6528-00	INSULATOR	1	23	750-3457-00	SPRING	1
4	854-4380-01	EXTENSION LEAD	1	24	291-0099-00	STICKER	1
5	331-3115-00	DCP HOLDER	1	25	613-0717-00	INPUT GEAR	1
6	335-6507-00	ARM-COVER(L)	1	26	634-0023-00	MOTOR ASSY	1
7	335-6508-00	ARM-COVER(R)	1	27	716-0872-00	PAD SCREW	4
8	716-1468-20	SCREW(M2 × 2.5)	10	28	347-6275-00	FILM	1
9	335-6506-00	HOOK	1	29	039-1862-00	FPC PWB (WITHOUT COMPONENT)	1
10	750-3431-02	SPRING	1	30	309-0772-01	FRONT PLATE	1
11	341-1736-00	SHAFT	1	31	613-0719-00	ARM GEAR	1
12	750-3304-20	SPRING	1	32	750-3432-00	SPRING	1
13	335-6499-00	CN-CVR	1	33	613-0720-00	HUS GEAR	1
14	370-5935-00	INNER-ES	1	34	746-0768-20	WASHER	4
15	331-3117-01	LEVER-UP(R)	1	35	345-8742-00	CUSHION	1
16	331-3118-01	LEVER-LO(R)	1	36	345-8701-00	CUSHION	1
17	335-6505-00	ILLUMI PLATE	1	37	946-0079-01	GEAR-BOX ASSY	1
18	331-3119-00	LEVER-LO(L)	1	38	947-0513-02	T-LIM-GEAR ASSY	1
19	331-3120-00	LEVER-UP(L)	1	39	750-3303-20	SPRING	1
20	716-1758-00	PAD SCREW	2				

■ ELECTRICAL PARTS LIST:

Main PWB (B1) section

REF No.	PART No.	DESCRIPTION	REF No.	PART No.	DESCRIPTION	REF No.	PART No.	DESCRIPTION
IC 150	051-6201-90	LC72146	D 601	001-0466-01	S5688G	C 110	183-1073-22	10V 100 μ F
IC 301	051-5020-90	M61508FP	D 602	001-0376-41	MTZ7.5JB	C 111	168-2232-55	25V 0.022 μ F
IC 403	051-5822-90	LA2900M	D 603	001-0376-30	MTZ5.1JC	C 112	042-0615-01	10V 100 μ F
IC 404	051-5822-90	LA2900M	D 606	001-0517-00	MA111	C 113	168-6822-55	50V 6800PF
IC 501	051-7232-08	74VH4066	D 607	001-0517-00	MA111	C 114	166-1011-50	50V 100PF
IC 502	051-0350-93	NJM4558M	D 608	001-0517-00	MA111	C 115	166-1011-50	50V 100PF
IC 601	051-6600-38	CA0008AM	D 609	001-0517-00	MA111	C 116	166-1011-50	50V 100PF
IC 602	052-3906-30	M30624MGAE24FP	D 610	001-0517-00	MA111	C 117	168-2232-55	25V 0.022 μ F
IC 603	051-5403-08	S-80725DNT	D 613	001-0517-00	MA111	C 118	168-1022-55	50V 1000PF
IC 701	051-2041-00	LA47503	D 701	001-0466-01	S5688G	C 119	183-1053-62	50V 1 μ F
IC 901	051-3261-00	BA4906	D 702	001-0466-01	S5688G	C 120	168-1032-55	50V 0.01 μ F
IC 902	051-1014-08	TA7291F	D 703	001-0466-01	S5688G	C 122	168-2732-55	25V 0.27 μ F
Q 103	125-2004-02	RN1402	D 704	001-0466-01	S5688G	C 123	168-2732-55	25V 0.27 μ F
Q 405	125-4001-00	XN1504	D 705	001-0466-01	S5688G	C 124	168-1042-78	25V 0.1 μ F
Q 406	125-4001-00	XN1504	D 706	001-0466-01	S5688G	C 130	168-1022-55	50V 1000PF
Q 407	125-4001-00	XN1504	D 707	001-0466-01	S5688G	C 131	168-1022-55	50V 1000PF
Q 501	125-0002-01	RN2401	D 708	001-0466-01	S5688G	C 140	168-2212-55	50V 220PF
Q 502	125-4001-00	XN1504	D 709	001-0592-00	RM4Z	C 141	168-4732-55	50V 0.047 μ F
Q 503	125-4001-00	XN1504	D 711	001-0466-01	S5688G	C 150	166-1501-50	50V 15PF
Q 504	125-2004-03	RN1403	D 712	001-0529-43	MA8082L	C 151	166-1501-50	50V 15PF
Q 601	125-0002-02	RN2402	D 801	001-7011-95	DIODE	C 152	166-3311-50	50V 330PF
Q 602	125-2004-03	RN1403	D 802	001-0347-11	MA4030M	C 153	166-1011-50	50V 100PF
Q 603	100-1162-00	2SA1162	D 803	001-0347-11	MA4030M	C 154	168-2232-55	25V 0.022 μ F
Q 604	125-0002-02	RN2402	D 804	001-0466-01	S5688G	C 155	183-4763-32	16V 47 μ F
Q 605	102-2712-00	2SC2712	D 805	001-0466-01	S5688G	C 156	166-1011-50	50V 100PF
Q 606	102-2712-00	2SC2712	D 806	001-0466-01	S5688G	C 159	183-1053-62	50V 1 μ F
Q 607	100-1298-00	2SA1298	D 901	001-0376-47	MTZ9.1JB	C 160	168-1042-78	25V 0.1 μ F
Q 608	125-2004-06	RN1406	D 902	001-0376-32	MTZ5.6JB	C 161	168-2245-79	25V 0.22 μ F
Q 609	100-1162-00	2SA1162	D 905	001-0466-01	S5688G	C 301	183-1063-32	16V 10 μ F
Q 610	102-2712-00	2SC2712	D 906	001-0517-00	MA111	C 302	183-1063-32	16V 10 μ F
Q 611	100-1298-00	2SA1298	D 907	001-0517-00	MA111	C 303	183-2253-62	50V 2.2 μ F
Q 612	125-2004-06	RN1406	L 101	010-4046-00	COIL	C 304	183-2253-62	50V 2.2 μ F
Q 614	125-2004-03	RN1403	L 103	010-2230-32	68 μ H	C 305	183-2253-62	50V 2.2 μ F
Q 701	102-2712-00	2SC2712	L 104	010-2230-38	220 μ H	C 306	183-2253-62	50V 2.2 μ F
Q 702	125-2004-03	RN1403	L 105	010-2230-38	220 μ H	C 307	183-1063-32	16V 10 μ F
Q 801	125-2004-03	RN1403	L 150	010-2230-38	220 μ H	C 308	183-1063-32	16V 10 μ F
Q 802	100-1162-00	2SA1162	L 301	010-2230-19	5.6 μ H	C 309	183-1063-32	16V 10 μ F
Q 803	102-2712-00	2SC2712	L 302	010-2230-19	5.6 μ H	C 310	183-2253-62	50V 2.2 μ F
Q 804	102-2712-00	2SC2712	L 401	010-2285-57	COIL	C 311	183-2253-62	50V 2.2 μ F
Q 805	100-1298-00	2SB1237	L 601	010-2285-57	COIL	C 318	183-1053-62	50V 1 μ F
Q 806	100-1298-00	2SB1237	L 801	010-2230-26	22 μ H	C 319	183-1053-62	50V 1 μ F
Q 901	125-2004-06	RN1406	L 802	010-2230-14	2.2 μ H	C 320	183-4763-32	16V 47 μ F
Q 902	125-0002-06	RN2406	L 804	010-2230-19	5.6 μ H	C 321	183-2263-32	16V 22 μ F
Q 903	102-2712-00	2SD2012	X 150	061-1066-00	7.2MHZ	C 401	168-2222-55	50V 2200PF
Q 904	125-2004-06	RN1406	X 601	060-1505-50	4.5MHZ	C 402	168-2222-55	50V 2200PF
Q 905	125-0002-06	RN2406	C 101	166-2201-50	50V 22PF	C 403	168-2222-55	50V 2200PF
Q 907	102-2712-00	2SD2012	C 102	166-2201-50	50V 22PF	C 404	168-2222-55	50V 2200PF
Q 908	125-2004-06	RN1406	C 103	166-2096-50	50V 2PF	C 405	168-2222-55	50V 2200PF
Q 909	102-2712-00	2SC2712	C 105	168-2232-55	25V 0.022 μ F	C 406	168-2222-55	50V 2200PF
Q 910	102-2712-00	2SC2712	C 106	168-1032-55	50V 0.01 μ F	C 413	183-4753-52	35V 4.7 μ F
Q 911	125-2004-06	RN1406	C 107	168-2232-55	25V 0.022 μ F	C 414	183-4753-52	35V 4.7 μ F
D 501	001-0376-26	MTZ4.7JB	C 108	168-2232-55	25V 0.022 μ F	C 415	183-4753-52	35V 4.7 μ F
D 502	001-0517-00	MA111	C 109	183-1073-22	10V 100 μ F	C 416	183-4753-52	35V 4.7 μ F

REF No.	PART No.	DESCRIPTION	REF No.	PART No.	DESCRIPTION	REF No.	PART No.	DESCRIPTION
C 418	183-1063-32	16V 10 μ F	C 638	168-4712-55	50V 470PF	R 401	119-1021-10	1/16W 1K Ω
C 419	183-1063-32	16V 10 μ F	C 639	168-1032-55	50V 0.01 μ F	R 402	119-1021-10	1/16W 1K Ω
C 440	183-2263-32	16V 22 μ F	C 701	183-2263-32	16V 22 μ F	R 403	119-1021-10	1/16W 1K Ω
C 441	183-4763-32	16V 47 μ F	C 702	183-4743-62	50V 0.47 μ F	R 404	119-1021-10	1/16W 1K Ω
C 442	183-2263-32	16V 22 μ F	C 703	183-4743-62	50V 0.47 μ F	R 405	119-2711-10	1/16W 270 Ω
C 443	168-1522-55	50V 1500PF	C 704	183-4743-62	50V 0.47 μ F	R 406	119-2711-10	1/16W 270 Ω
C 444	183-1073-22	10V 100 μ F	C 705	183-4743-62	50V 0.47 μ F	R 407	119-2231-10	1/16W 22K Ω
C 445	168-1522-55	50V 1500PF	C 706	183-4763-32	16V 47 μ F	R 408	119-3311-10	1/16W 330 Ω
C 446	183-1073-22	10V 100 μ F	C 708	183-2253-62	50V 2.2 μ F	R 409	119-3311-10	1/16W 330 Ω
C 447	183-2263-32	16V 22 μ F	C 709	042-0447-00	16V 2200 μ F	R 410	119-1021-10	1/16W 1K Ω
C 448	183-4763-32	16V 47 μ F	C 710	172-2231-15	50V 0.022 μ F	R 411	119-3311-10	1/16W 330 Ω
C 449	183-2263-32	16V 22 μ F	C 711	172-4731-15	50V 0.047 μ F	R 412	119-2231-10	1/16W 22K Ω
C 450	168-1522-55	50V 1500PF	C 712	172-4731-15	50V 0.047 μ F	R 413	119-2231-10	1/16W 22K Ω
C 451	183-1073-22	10V 100 μ F	C 713	172-4731-15	50V 0.047 μ F	R 414	119-3311-10	1/16W 330 Ω
C 452	183-1073-22	10V 100 μ F	C 714	172-4731-15	50V 0.047 μ F	R 415	119-1021-10	1/16W 1K Ω
C 453	168-1522-55	50V 1500PF	C 717	183-1053-62	50V 1 μ F	R 416	119-2231-10	1/16W 22K Ω
C 460	168-5622-55	50V 5600PF	C 718	183-1053-62	50V 1 μ F	R 417	119-2231-10	1/16W 22K Ω
C 461	168-5622-55	50V 5600PF	C 801	168-1032-55	50V 0.01 μ F	R 418	119-3311-10	1/16W 330 Ω
C 462	168-5622-55	50V 5600PF	C 802	183-1063-32	16V 10 μ F	R 419	119-3311-10	1/16W 330 Ω
C 463	168-5622-55	50V 5600PF	C 803	168-1042-78	25V 0.1 μ F	R 420	119-1021-10	1/16W 1K Ω
C 464	168-5622-55	50V 5600PF	C 804	183-1073-22	10V 100 μ F	R 421	119-2231-10	1/16W 22K Ω
C 465	168-5622-55	50V 5600PF	C 904	183-1073-22	10V 100 μ F	R 460	119-2431-10	1/16W 24K Ω
C 501	183-1063-32	16V 10 μ F	C 910	183-4763-32	16V 47 μ F	R 461	119-2431-10	1/16W 24K Ω
C 502	183-1063-32	16V 10 μ F	C 911	183-1063-32	16V 10 μ F	R 462	119-3631-10	1/16W 36K Ω
C 503	183-1063-32	16V 10 μ F	C 912	183-1073-22	10V 100 μ F	R 463	119-2211-10	1/16W 220 Ω
C 504	183-1063-32	16V 10 μ F	C 913	183-1073-22	10V 100 μ F	R 464	119-2211-10	1/16W 220 Ω
C 505	183-1063-32	16V 10 μ F	C 917	168-4732-55	50V 0.047 μ F	R 465	119-3631-10	1/16W 36K Ω
C 506	183-1063-32	16V 10 μ F	R 102	119-1031-10	1/16W 10K Ω	R 466	119-2431-10	1/16W 24K Ω
C 507	183-1063-32	16V 10 μ F	R 104	119-1031-10	1/16W 10K Ω	R 467	119-2431-10	1/16W 24K Ω
C 508	183-1063-32	16V 10 μ F	R 105	119-2221-10	1/16W 2.2K Ω	R 468	119-3631-10	1/16W 36K Ω
C 509	183-4763-32	16V 47 μ F	R 106	119-4741-10	1/16W 470K Ω	R 469	119-2211-10	1/16W 220 Ω
C 510	183-1063-32	16V 10 μ F	R 107	119-1021-10	1/16W 1K Ω	R 470	119-2211-10	1/16W 220 Ω
C 511	183-1063-32	16V 10 μ F	R 111	119-2221-10	1/16W 2.2K Ω	R 471	119-3631-10	1/16W 36K Ω
C 512	183-1063-32	16V 10 μ F	R 112	119-1011-10	1/16W 100 Ω	R 501	119-1021-10	1/16W 1K Ω
C 513	183-1063-32	16V 10 μ F	R 113	119-1831-10	1/16W 18K Ω	R 502	119-4731-10	1/16W 47K Ω
C 514	183-1063-32	16V 10 μ F	R 150	119-8211-10	1/16W 820 Ω	R 503	119-4731-10	1/16W 47K Ω
C 515	183-1063-32	16V 10 μ F	R 151	119-1021-10	1/16W 1K Ω	R 504	119-4731-10	1/16W 47K Ω
C 516	168-1032-55	50V 0.01 μ F	R 152	119-1021-10	1/16W 1K Ω	R 505	119-4731-10	1/16W 47K Ω
C 517	168-4732-55	25V 0.047 μ F	R 153	119-1031-10	1/16W 10K Ω	R 506	119-1041-10	1/16W 100K Ω
C 601	168-1022-55	50V 1000PF	R 154	119-1041-10	1/16W 100K Ω	R 507	119-1041-10	1/16W 100K Ω
C 602	168-1022-55	50V 1000PF	R 155	119-5631-10	1/16W 56K Ω	R 508	119-1041-10	1/16W 100K Ω
C 603	172-4731-15	50V 0.047 μ F	R 158	119-1021-10	1/16W 1K Ω	R 509	119-1041-10	1/16W 100K Ω
C 605	183-2263-32	16V 22 μ F	R 159	119-2221-10	1/16W 2.2K Ω	R 510	119-1011-10	1/16W 100 Ω
C 606	042-0576-00	5.5V 0.1F	R 301	119-1231-10	1/16W 12K Ω	R 511	119-1011-10	1/16W 100 Ω
C 609	168-1042-78	25V 0.1 μ F	R 302	119-1231-10	1/16W 12K Ω	R 512	119-1011-10	1/16W 100 Ω
C 610	183-1063-32	16V 10 μ F	R 303	119-3311-10	1/16W 330 Ω	R 513	119-1011-10	1/16W 100 Ω
C 611	168-2232-55	25V 0.022 μ F	R 304	119-3311-10	1/16W 330 Ω	R 514	119-4731-10	1/16W 47K Ω
C 612	183-1063-32	16V 10 μ F	R 305	119-4721-10	1/16W 4.7K Ω	R 515	119-3311-10	1/16W 330 Ω
C 613	183-4753-52	35V 4.7 μ F	R 306	119-4721-10	1/16W 4.7K Ω	R 516	119-1031-10	1/16W 10K Ω
C 616	168-1032-55	50V 0.01 μ F	R 307	119-3311-10	1/16W 330 Ω	R 517	119-1031-10	1/16W 10K Ω
C 634	168-2245-79	25V 0.22 μ F	R 308	119-3311-10	1/16W 330 Ω	R 518	119-1031-10	1/16W 10K Ω
C 635	168-4712-55	50V 470PF	R 309	119-4721-10	1/16W 4.7K Ω	R 519	119-1031-10	1/16W 10K Ω
C 637	168-1022-55	50V 1000PF	R 310	119-4721-10	1/16W 4.7K Ω	R 520	119-1031-10	1/16W 10K Ω

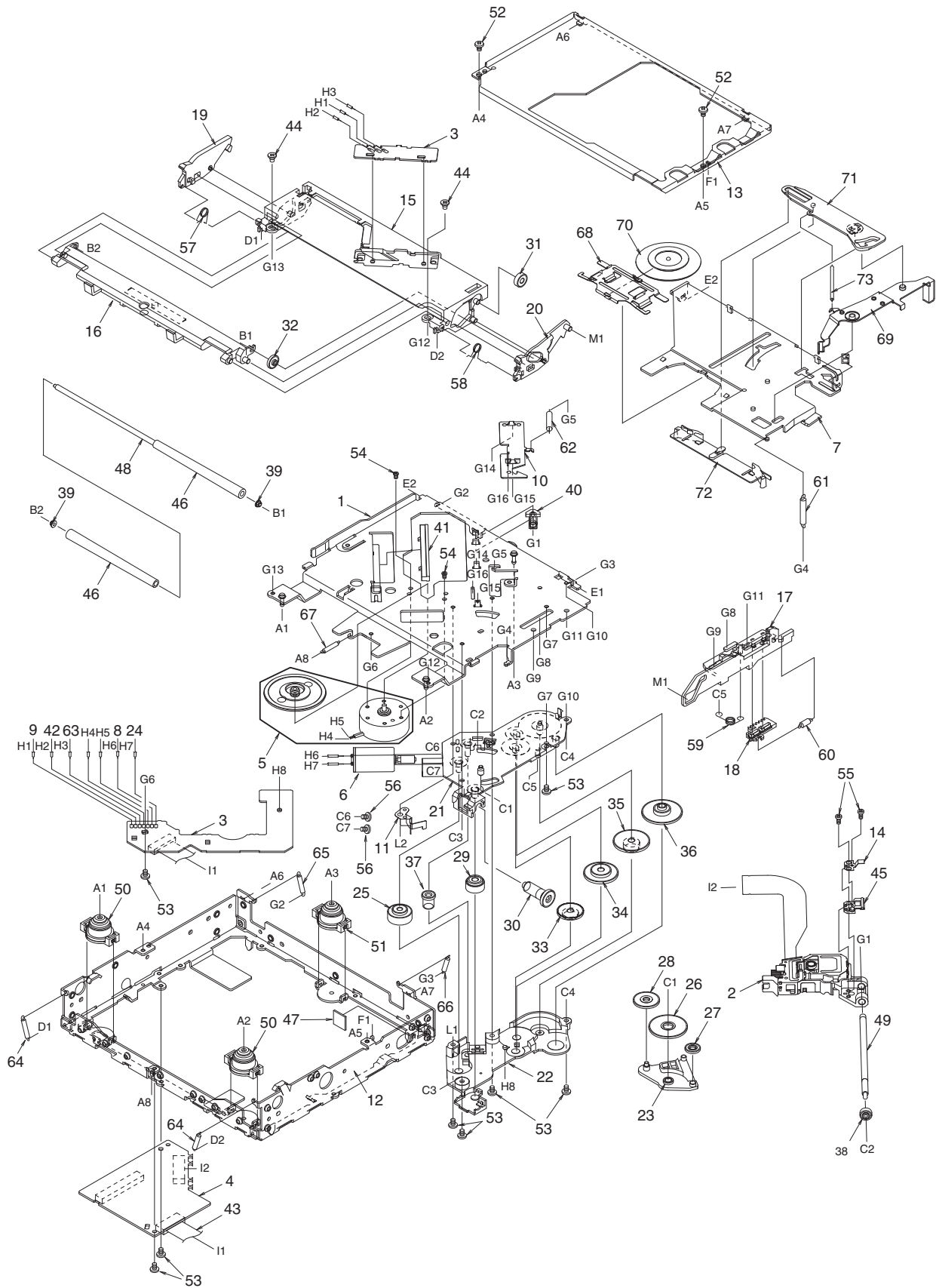
REF No.	PART No.	DESCRIPTION	REF No.	PART No.	DESCRIPTION	REF No.	PART No.	DESCRIPTION
R 521	119-1031-10	1/16W 10K Ω	R 627	119-1031-10	1/16W 10K Ω	R 815	111-4701-91	1/4WSS 47 Ω
R 522	119-1031-10	1/16W 10K Ω	R 628	119-1531-10	1/16W 15K Ω	R 818	119-1021-10	1/16W 1K Ω
R 523	119-1031-10	1/16W 10K Ω	R 629	119-4731-10	1/16W 47K Ω	R 819	119-4721-10	1/16W 4.7K Ω
R 524	119-1041-10	1/16W 100K Ω	R 630	119-1031-10	1/16W 10K Ω	R 820	119-4721-10	1/16W 4.7K Ω
R 525	119-1041-10	1/16W 100K Ω	R 631	119-1021-10	1/16W 1K Ω	R 821	119-1031-10	1/16W 10K Ω
R 526	119-4721-10	1/16W 4.7K Ω	R 632	119-1021-10	1/16W 1K Ω	R 822	119-1031-10	1/16W 10K Ω
R 527	119-1021-10	1/16W 1K	R 633	119-6811-10	1/16W 680 Ω	R 823	119-1031-10	1/16W 10K Ω
R 528	119-1021-10	1/16W 1K	R 634	119-8231-10	1/16W 82K Ω	R 901	119-2231-10	1/16W 22K Ω
R 601	111-6801-91	1/4WSS 68 Ω	R 635	119-1031-10	1/16W 10K Ω	R 902	119-2231-10	1/16W 22K Ω
R 602	111-1811-91	1/4WSS 180 Ω	R 636	119-1041-10	1/16W 100K Ω	R 903	119-4731-10	1/16W 47K Ω
R 603	111-1811-91	1/4WSS 180 Ω	R 701	119-4721-10	1/16W 4.7K Ω	R 904	119-2231-10	1/16W 22K Ω
R 604	119-3321-10	1/16W 3.3K Ω	R 702	119-4721-10	1/16W 4.7K Ω	R 905	119-2231-10	1/16W 22K Ω
R 605	119-1041-10	1/16W 100K Ω	R 703	119-4721-10	1/16W 4.7K Ω	R 906	119-4731-10	1/16W 47K Ω
R 606	119-2231-10	1/16W 22K Ω	R 704	119-4721-10	1/16W 4.7K Ω	R 908	119-1041-10	1/16W 100K Ω
R 607	119-3311-10	1/16W 330 Ω	R 705	119-1231-10	1/16W 12K Ω	R 909	119-1041-10	1/16W 100K Ω
R 608	119-1521-10	1/16W 1.5K Ω	R 706	119-1021-10	1/16W 1K Ω	R 910	119-4731-10	1/16W 47K Ω
R 609	119-4731-10	1/16W 47K Ω	R 707	119-1021-10	1/16W 1K Ω	R 911	119-4731-10	1/16W 47K Ω
R 610	119-4721-10	1/16W 4.7K Ω	R 708	119-2231-10	1/16W 22K Ω	R 914	119-3321-10	1/16W 3.3K Ω
R 611	119-1031-10	1/16W 10K Ω	R 710	119-1021-10	1/16W 1K Ω	R 915	119-3321-10	1/16W 3.3K Ω
R 612	119-1031-10	1/16W 10K Ω	R 711	119-4731-10	1/16W 47K Ω	R 920	111-2711-91	1/4WSS 270 Ω
R 613	119-5621-10	1/16W 5.6K Ω	R 801	119-1011-10	1/16W 100 Ω	R 921	111-2711-91	1/4WSS 270 Ω
R 614	119-1531-10	1/16W 15K Ω	R 802	119-1021-10	1/16W 1K Ω	R 922	111-5611-91	1/4WSS 560 Ω
R 615	119-2231-10	1/16W 22K Ω	R 803	119-1021-10	1/16W 1K Ω	R 923	119-1031-10	1/16W 10K Ω
R 616	119-2231-10	1/16W 22K Ω	R 804	119-2221-10	1/16W 2.2K Ω	SUP101	060-0122-91	DSP141N
R 617	111-3321-91	1/4WSS 3.3K Ω	R 805	119-2221-10	1/16W 2.2K Ω	CN 201	074-1214-00	OUTLET SOCKET
R 618	119-1041-10	1/16W 100K Ω	R 806	119-1031-10	1/16W 10K Ω	CN 601	074-1194-00	OUTLET SOCKET
R 619	119-1041-10	1/16W 100K Ω	R 807	119-1221-10	1/16W 1.2K Ω	CN 801	074-1198-68	OUTLET SOCKET
R 620	119-6811-10	1/16W 680 Ω	R 808	119-1041-10	1/16W 100K Ω	CN 802	076-0313-02	OUTLET SOCKET
R 621	119-3321-10	1/16W 3.3K Ω	R 809	119-2221-10	1/16W 2.2K Ω	CN 901	074-1138-76	OUTLET SOCKET
R 622	119-1031-10	1/16W 10K Ω	R 810	119-1031-10	1/16W 10K Ω	SW 601	013-6100-00	SKHLLB(RESET)
R 623	119-1031-10	1/16W 10K Ω	R 811	111-1811-91	1/4WSS 180 Ω	SW 801	013-7106-00	DET-SW2
R 624	119-3321-10	1/16W 3.3K Ω	R 812	111-1221-91	1/4WSS 1.2K Ω	SW 802	013-7206-50	DET-SW1
R 625	119-1031-10	1/16W 10K Ω	R 813	111-4701-91	1/4WSS 47 Ω			
R 626	119-4741-10	1/16W 470K Ω	R 814	111-1811-91	1/4WSS 180 Ω			

Switch PWB (B2) section

REF No.	PART No.	DESCRIPTION	REF No.	PART No.	DESCRIPTION	REF No.	PART No.	DESCRIPTION
IC 701	051-6047-00	LC75804W	R 726	119-1221-15	1/16W 1.2K Ω	R 763	119-1021-15	1/16W 1K Ω
D 704	001-7030-02	LED	R 727	119-1221-15	1/16W 1.2K Ω	CN 701	076-0647-00	PLUG
D 713	001-7055-90	DIODE	R 728	119-1221-15	1/16W 1.2K Ω	S 701	016-9900-85	ENCODE SWITCH
D 715	001-7055-90	DIODE	R 729	119-1221-15	1/16W 1.2K Ω	S 702	013-6510-50	ILLUMI SWITCH
D 716	001-7055-90	DIODE	R 730	119-1221-15	1/16W 1.2K Ω	S 703	013-6510-50	ILLUMI SWITCH
D 718	001-7055-90	DIODE	R 731	119-1221-15	1/16W 1.2K Ω	S 704	013-6507-50	SWITCH
C 701	168-4732-78	50V 0.047 μ F	R 732	119-1521-15	1/16W 1.5K Ω	S 705	013-6510-50	ILLUMI SWITCH
C 702	168-4732-78	50V 0.047 μ F	R 733	119-1521-15	1/16W 1.5K Ω	S 706	013-6510-50	ILLUMI SWITCH
C 703	168-4732-78	50V 0.047 μ F	R 734	119-1521-15	1/16W 1.5K Ω	S 707	013-6510-50	ILLUMI SWITCH
C 704	168-1022-55	50V 1000PF	R 735	119-1521-15	1/16W 1.5K Ω	S 708	013-6507-50	SWITCH
C 705	042-0416-52	10V 10 μ F TAN	R 737	119-1521-15	1/16W 1.5K Ω	S 709	013-6507-50	SWITCH
C 706	168-1042-78	50V 0.1 μ F	R 738	119-1521-15	1/16W 1.5K Ω	S 710	013-6510-50	ILLUMI SWITCH
C 707	042-0416-52	10V 10 μ F TAN	R 739	119-1521-15	1/16W 1.5K Ω	S 711	013-6511-50	ILLUMI SWITCH
R 701	119-3931-15	1/16W 39K Ω	R 741	119-1521-15	1/16W 1.5K Ω	S 712	013-6510-50	ILLUMI SWITCH
R 702	119-1031-15	1/16W 10K Ω	R 751	119-1021-15	1/16W 1K Ω	S 713	013-6507-50	SWITCH
R 703	119-1011-15	1/16W 100 Ω	R 752	119-1021-15	1/16W 1K Ω	S 714	013-6507-50	SWITCH
R 704	119-1041-15	1/16W 100K Ω	R 753	119-1021-15	1/16W 1K Ω	S 715	013-6510-50	ILLUMI SWITCH
R 705	119-3921-15	1/16W 3.9K Ω	R 754	119-1021-15	1/16W 1K Ω	S 716	013-6511-50	ILLUMI SWITCH
R 714	032-0140-98	1/10W 330 Ω (F)	R 755	119-1021-15	1/16W 1K Ω	S 717	013-6510-50	ILLUMI SWITCH
R 715	032-0140-98	1/10W 330 Ω (F)	R 756	119-1021-15	1/16W 1K Ω	S 718	013-6507-50	SWITCH
R 718	032-0140-98	1/10W 330 Ω (F)	R 757	119-1021-15	1/16W 1K Ω	S 719	013-6510-50	ILLUMI SWITCH
R 719	032-0140-98	1/10W 330 Ω (F)	R 758	119-1021-15	1/16W 1K Ω	S 720	013-6510-50	ILLUMI SWITCH
R 720	032-0140-98	1/10W 330 Ω (F)	R 759	119-1021-15	1/16W 1K Ω	S 721	013-6510-50	ILLUMI SWITCH
R 721	032-0140-98	1/10W 330 Ω (F)	R 760	119-1021-15	1/16W 1K Ω	S 722	013-6510-50	ILLUMI SWITCH
R 724	032-0140-98	1/10W 330 Ω (F)	R 761	119-1021-15	1/16W 1K Ω	IR 701	060-4008-00	RS-171
R 725	032-0140-98	1/10W 330 Ω (F)	R 762	119-1021-15	1/16W 1K Ω			

■ EXPLODED VIEW:

CD mechanism section 929-0220-83



■ PARTS LIST:

CD mechanism section 929-0220-83

Note) Several different parts of the same reference number are alternative parts.
One of those parts is used in the set.

NO.	PARTS NO.	DESCRIPTION	QTY	NO.	PARTS NO.	DESCRIPTION	QTY
1	966-0595-24	DRIVE PLATE ASSY	1	37	621-0620-20	THREAD GEAR A	1
2	969-0060-30	PICK UP UNIT	1	38	621-0621-20	THREAD GEAR B	1
3	039-1944-21	LED PWB (WITHOUT COMPONENT)	1	39	621-0622-20	ROLLER SLEEVE	2
4	039-1945-20	CD PWB (WITHOUT COMPONENT)	1	40	621-0623-21	LS-HOLDER	1
5	SMA-182-100	MOTOR ASSY(SPINDLE)	1	41	621-0624-20	GUIDE RAIL	1
6	SMA-183-100	MOTOR ASSY(SLED)	1	42	816-2566-52	LEAD WIRE(PUR)	1
7	620-1022-33	CLAMPER LINK	1	43	816-2542-01	FLAT WIRE(10P)	1
8	803-4906-60	VINYL COAT WIRE(ORG)	1	44	716-3473-00	SCREW	2
9	816-2566-50	LEAD WIRE(YEL)	1	45	621-0628-21	SH-BASE	1
10	620-1025-21	ID-LOCK PLATE	1	46	621-0629-20	LOADING ROLLER	2
11	620-1026-21	SPRING PLATE	1	47	345-8704-20	CUSHION RUBBER	1
12	620-1027-24	LOWER CHASSIS	1	48	622-1571-20	ROLLER SHAFT	1
13	620-1028-21	UPPER CHASSIS	1	49	624-0018-01	LEAD SCREW	1
14	620-1029-21	SH-SPRING	1	50	629-0081-20	DAMPER F	2
15	621-0598-25	UPPER GUIDE	1	51	629-0082-20	DAMPER R	1
16	621-0599-25	ROLLER GUIDE	1	52	714-2003-81	MACHINE SCREW	2
17	621-0600-23	SHIFT LEVER	1	53	716-1507-00	SCREW	8
18	621-0601-21	RACK	1	54	716-1733-00	SCREW	2
19	621-0602-22	LOCK ARM(L)	1	55	716-3469-00	SCREW	2
20	621-0603--23	LOCK ARM(R)	1	56	716-3446-00	SCREW	2
21	621-0604-21	GEAR BASE	1	57	750-3465-21	ROLLER SPRING(L)	1
22	621-0605-21	GEAR COVER	1	58	750-3466-20	ROLLER SPRING(R)	1
23	621-0606-21	IDLE CASE	1	59	750-3467-20	SHIFT SPRING	1
24	805-4906-60	VINYL COAT WIRE(GRN)	1	60	750-3468-20	RACK SPRING	1
25	621-0608-21	SECOND GEAR	1	61	750-3469-20	CLAMPER SPRING	1
26	621-0609-20	BASE GEAR	1	62	750-3470-20	ID-LOCK SPRING	1
27	621-0610-20	IDLE GEAR A	1	63	816-2566-51	LEAD WIRE(BLU)	1
28	621-0611-20	IDLE GEAR B	1	64	750-3472-21	DR-SPRING F	2
29	621-0612-21	ROLLER GEAR A	1	65	750-3473-20	DR-SPRING RA	1
30	621-0613-20	ROLLER GEAR B	1	66	750-3474-20	DR-SPRING RB	1
31	621-0614-20	ROLLER GEAR C	1	67	750-3475-21	DR-SPRING C	1
32	621-0615-21	ROLLER GEAR D	1	68	620-1023-22	CLAMPER PLATE	1
33	621-0616-20	POWER GEAR A	1	69	620-1024-22	SENSOR ARM	1
34	621-0617-20	POWER GEAR B	1	70	621-0625-21	CLAMPER RING	1
35	621-0618-20	POWER GEAR C	1	71	621-0626-20	STOPPER LINK	1
36	621-0619-20	POWER GEAR D	1	72	621-0627-20	DISC STOPPER	1
				73	750-3471-20	SENSOR SPRING	1

■ ELECTRICAL PARTS LIST :

CD mechanism section 929-0220-83

Note)Several different parts of the same reference number are alternative parts.

One of those parts is used in the set.

REF No.	PART No.	DESCRIPTION	REF No.	PART No.	DESCRIPTION	REF No.	PART No.	DESCRIPTION
C 101	168-1042-78	0.1 μ F	C 209	168-1042-78	0.1 μ F	R 115	033-2211-15	1/16W 220 Ω
C 102	045-4701-50	47pF	C 210	043-0533-50	0.047 μ F	R 116	033-1031-15	1/16W 10k Ω
C 103	046-4722-58	4700pF	C 211	168-1042-78	0.1 μ F	R 117	033-1021-15	1/16W 1k Ω
C 104	168-1042-78	0.1 μ F	C 212	168-1042-78	0.1 μ F	R 131	033-4711-15	1/16W 470 Ω
C 105	046-1532-78	0.015 μ F	C 213	045-5096-50	5pF	R 132	033-2211-15	1/16W 220 Ω
C 106	046-1032-78	0.01 μ F	C 214	045-5601-50	56pF	R 201	117-2201-15	1/10W 22 Ω
C 107	046-1032-78	0.01 μ F	C 215	043-0533-50	0.047 μ F	R 202	117-2201-15	1/10W 22 Ω
C 108	046-4722-58	4700pF	C 216	178-1052-78	1 μ F	R 203	033-1041-15	1/16W 100k Ω
C 109	046-1522-58	1500pF	C 217	045-1011-50	100pF	R 204	033-1041-15	1/16W 100k Ω
C 110	046-3332-78	0.033 μ F	C 301	163-1073-35	16V 100 μ F	R 205	033-1041-15	1/16W 100k Ω
C 111	168-1042-78	0.1 μ F	C 302	168-1042-78	0.1 μ F	R 206	033-1041-15	1/16W 100k Ω
C 112	046-3332-78	0.033 μ F	C 303	043-0533-50	0.047 μ F	R 207	033-1041-15	1/16W 100k Ω
C 113	168-1042-78	0.1 μ F	D 201	001-0516-90	MA111	R 208	033-8231-15	1/16W 82k Ω
C 114	168-1042-78	0.1 μ F	IC 101	051-6376-00	TC94A14FA	R 209	033-6811-15	1/16W 680 Ω
C 115	046-4712-58	470pF	IC 102	051-3279-90	BA033LBSG	R 210	033-6831-15	1/16W 68k Ω
C 116	046-4712-58	470pF	IC 201	051-5710-90	TA2157F	R 211	033-1831-15	1/16W 18k Ω
C 117	043-0533-50	0.047 μ F	IC 301	051-6049-08	BA5983FP-E2	R 212	033-2721-15	1/16W 2.7k Ω
C 118	043-0533-50	0.047 μ F	J 101	074-1228-76	26P	R 213	033-1011-15	1/16W 100 Ω
C 119	045-2701-50	27pF	J 201	074-1138-65	15P	R 214	033-1021-15	1/16W 1k Ω
C 120	045-1801-50	18pF	J 301	074-1138-60	10P	R 215	033-1031-15	1/16W 10k Ω
C 121	163-1063-35	16V 10 μ F	L 101	010-2285-57	BLM21B102SPT	R 217	033-1041-15	1/16W 100k Ω
C 122	178-1052-78	1 μ F	L 102	010-2285-57	BLM21B102SPT	R 218	033-2211-15	1/16W 220 Ω
C 123	046-1032-78	0.01 μ F	L 103	010-2285-57	BLM21B102SPT	R 301	117-6811-15	1/16W 680 Ω
C 124	163-1073-05	4V 100 μ F	L 104	010-2285-57	BLM21B102SPT	R 304	033-3921-15	1/16W 3.9k Ω
C 125	168-1042-78	0.1 μ F	L 105	010-2285-57	BLM21B102SPT	R 305	033-3921-15	1/16W 3.9k Ω
C 126	168-1042-78	0.1 μ F	L 401	010-3050-93	10 μ H	R 306	033-1041-15	1/16W 100k Ω
C 129	178-1052-78	1 μ F	Q 201	131-1188-50	2SB1188	R 307	033-2211-15	1/16W 220 Ω
C 201	163-3363-05	4V 33 μ F	R 102	033-5621-15	1/16W 5.6k Ω	X 102	060-1528-90	16.934M
C 202	168-1042-78	0.1 μ F	R 104	033-4731-15	1/16W 47k Ω	D 1	001-7058-90	AN1105W-RR
C 203	178-1052-78	1 μ F	R 105	033-1041-15	1/16W 100k Ω	D 2	001-7058-90	AN1105W-RR
C 204	163-1073-05	4V 100 μ F	R 108	033-1531-15	1/16W 15k Ω	J 1	074-1138-60	10P
C 205	163-3363-05	4V 33 μ F	R 109	033-1031-15	1/16W 10k Ω	Q 1	060-4015-90	PS1192H
C 206	168-1042-78	0.1 μ F	R 110	033-1051-15	1/16W 1M Ω	Q 2	060-4015-90	PS1192H
C 207	043-0533-50	0.047 μ F	R 111	033-3321-15	1/16W 3.3k Ω	S 1	013-7414-50	CHUCKING
C 208	046-6822-58	6800pF	R 114	033-2211-15	1/16W 220 Ω	S 2	013-7413-50	LIMIT