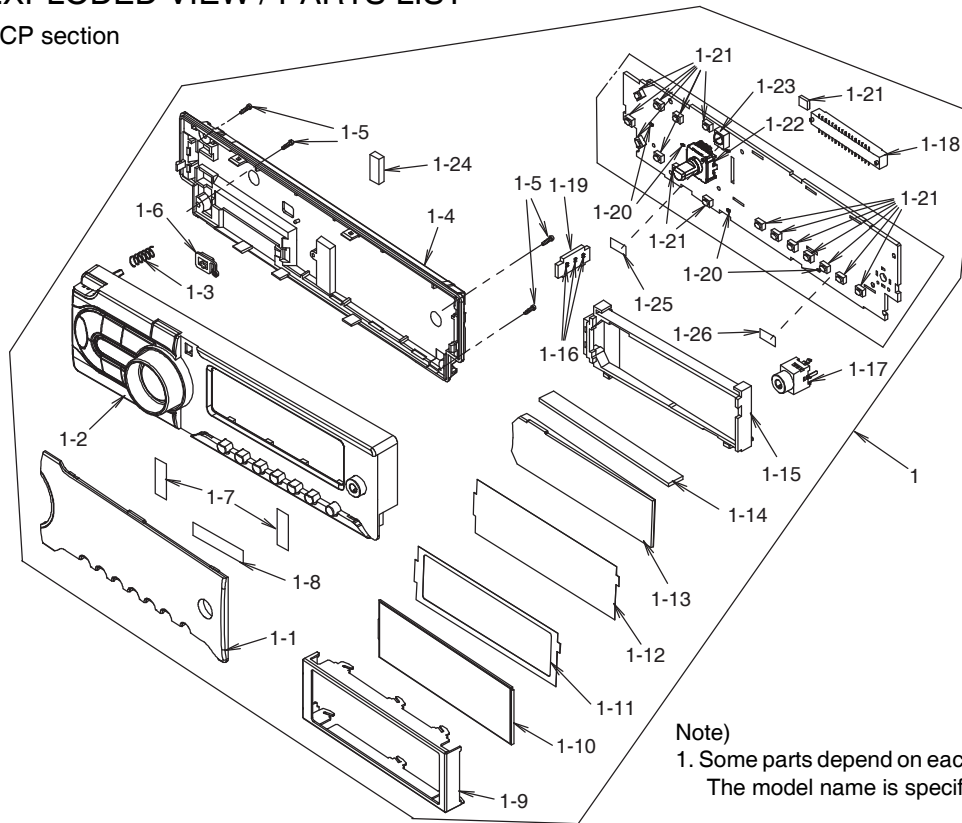


No.	Symbol	Function
20	RROUT	Rch Rear Vol. Output Terminal
21	FROUT	Rch Front Vol. Output Terminal
22	MIXIN	Mix Signal Input Terminal
23	HPF3R	Rch High Pass Filter Terminal 3
24	HPF2R	Rch High Pass Filter Terminal 2
25	HPF1R	Rch High Pass Filter Terminal 1
26	IN6R	Rch SE Input 6 Terminal Rch QD Input 2 Terminal
27	IN6G	QD Input 2 Ref Terminal
28	IN6L	Lch SE Input 6 Terminal Lch QD Input 2 Terminal
29	IN4R	Rch SE Input 4 Terminal Rch FD Input 2 Terminal
30	IN4L	Lch SE Input 4 Terminal Rch FD Input 2 Ref Terminal
31	IN3R	Rch SE Input 3 Terminal Lch FD Input 2 Ref Terminal
32	IN3L	Lch SE Input 3 Terminal Lch FD Input 2 Terminal

## EXPLODED VIEW / PARTS LIST

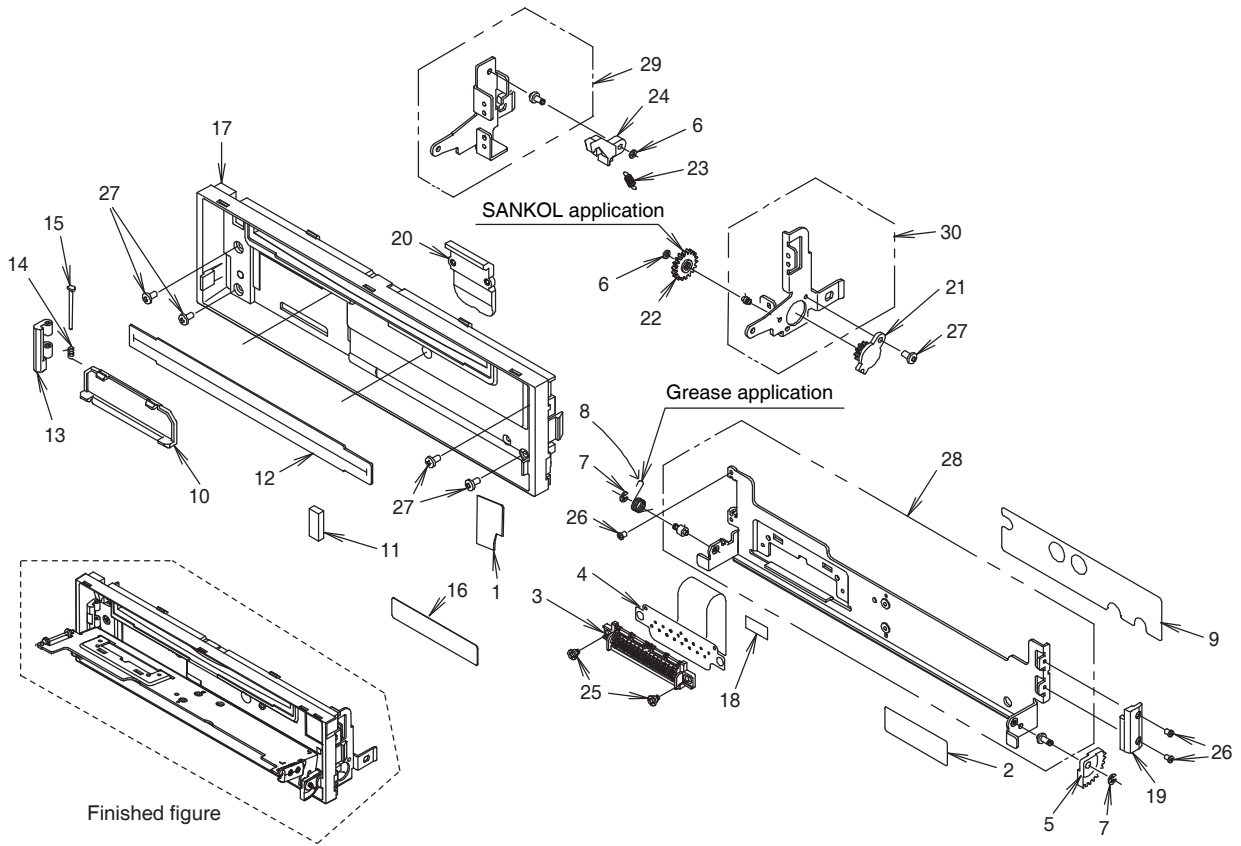
DCP section



Note)  
1. Some parts depend on each model.  
The model name is specified in the description.

NO.	PART NO.	DESCRIPTION	Q'TY	NO.	PART NO.	DESCRIPTION	Q'TY
1	DCP-643-600	DCP ASSY(PE-3155B-A)	1	1-11	347-8618-00	BLACK FILM	1
	DCP-656-800	DCP ASSY(PE-3155K-A)	1	1-12	347-8617-00	WHITE FILM	1
1-1	373-1181-00	DIAL-CVR (PE-3155B-A)	1	1-13	335-8544-00	LCD ILLUMI	1
	373-1181-05	DIAL-CVR (PE-3155K-A/B)	1	1-14	345-6275-00	RUBBER PART	1
1-2	940-8252-00	ESCUTCHEON-ASSY (PE-3155B-A)	1	1-15	335-8545-00	LCD HOLDER	1
	940-8252-03	ESCUTCHEON-ASSY (PE-3155K-A/B)	1	1-16	001-7114-91	DIODE	3
1-3	750-6858-00	SPRING	1	1-17	075-9017-00	JACK	1
1-4	335-8543-00	REAR CVR	1	1-18	076-0647-00	PLUG	1
1-5	716-0872-62	SCREW(M1.7x8)	4	1-19	-----	SWITCH PWB	1
1-6	382-8343-00	BUTTON	1	1-20	001-7097-91	DIODE	4
1-7	347-8705-00	DOUBLE FACE	2	1-21	013-6312-50	SWITCH	17
1-8	347-8706-00	DOUBLE FACE	1	1-22	016-9901-02	VR W/SHAFT	1
1-9	331-4716-00	LCD CVR	1	1-23	060-4021-00	IR-RECEIVER	1
1-10	379-1435-51	INDICATOR(LCD)	1	1-24	345-8647-00	CUSHION	1
				1-25	347-8707-00	FILM	1
				1-26	347-8655-00	FILM	1

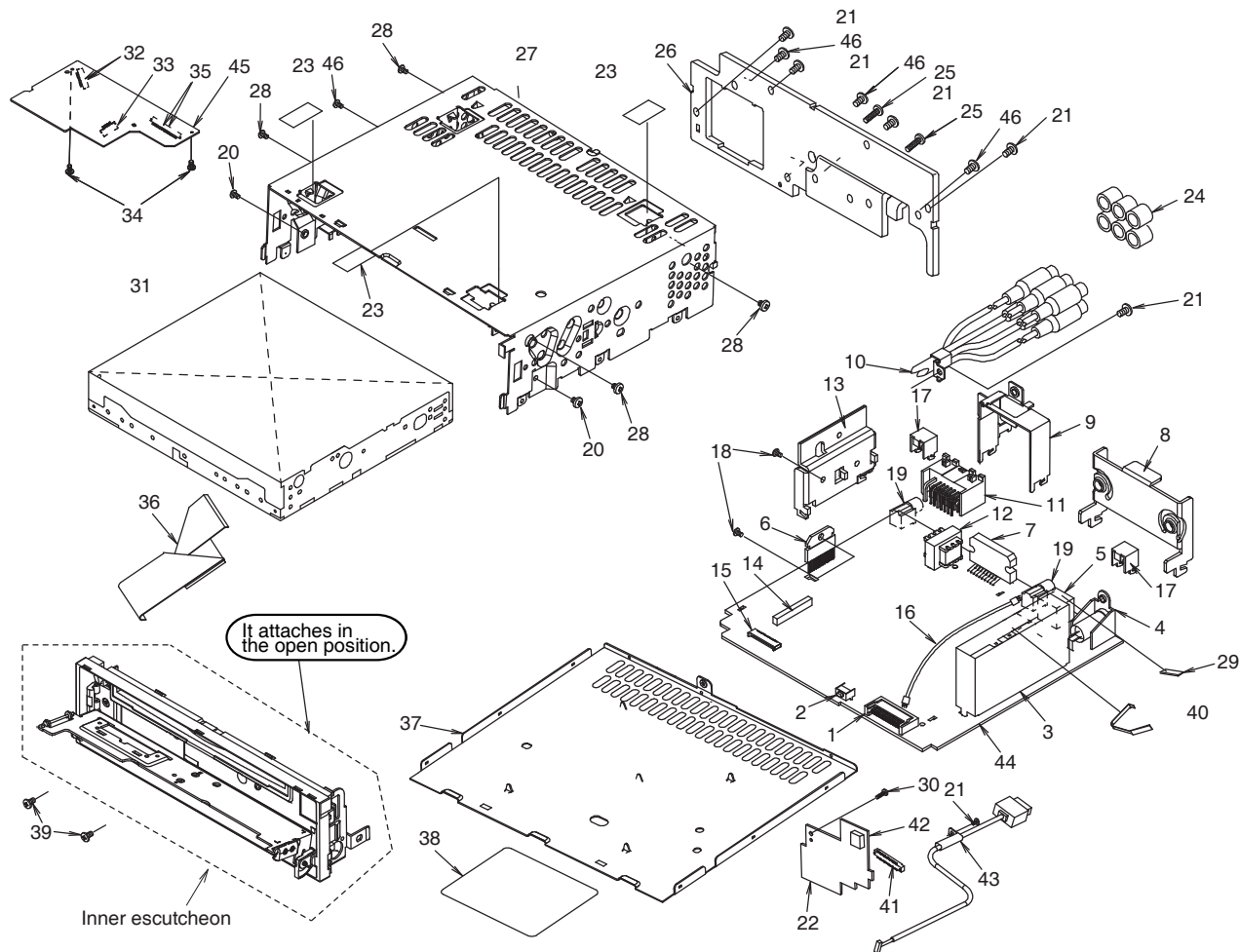
Inner Escutcheon section



Note) SANKOL uses G-311S  
Grease uses CFD-409Z

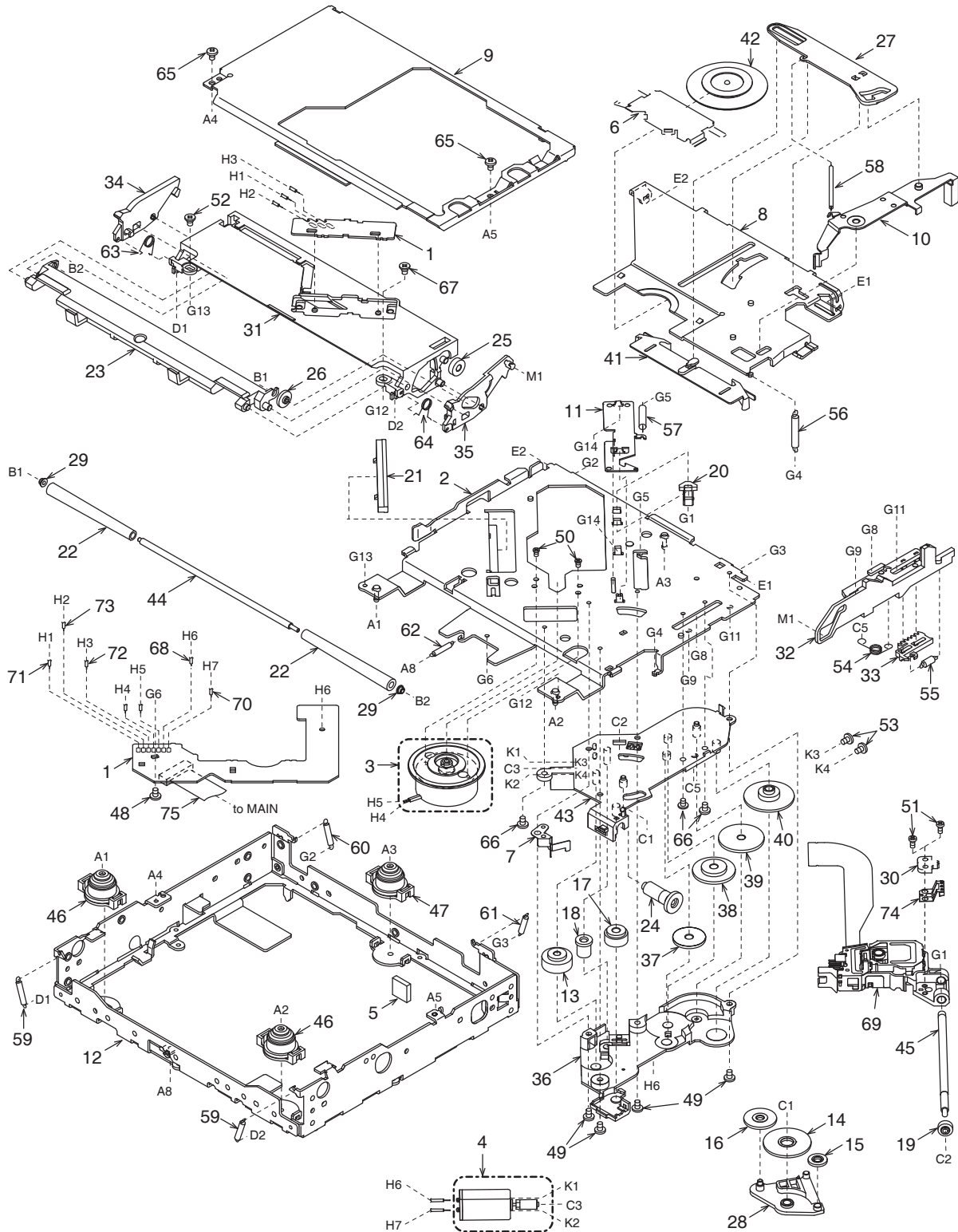
NO.	PART NO.	DESCRIPTION	Q'TY	NO.	PART NO.	DESCRIPTION	Q'TY
1	347-8700-00	FILM	1	16	347-7008-00	FPC SUPPORT	1
2	291-0092-00	STICKER	1	17	370-6404-00	INNER-ESC	1
3	074-1278-01	OUTLET SOCKET(16P)	1	18	347-6356-00	DOUBLE FACE	1
4	039-1862-02	FPC PWB (WITHOUT COMPONENT)	1	19	335-8001-00	HOOK	1
5	613-0684-00	FAN GEAR	1	20	335-6886-00	ILLUMI PLATE	1
6	746-0761-00	SPECIAL WASHER	2	21	613-0730-00	GEAR DAMPER	1
7	743-1500-1B	E-RING	2	22	613-0683-00	GEAR	1
8	750-3342-21	SPRING	1	23	750-3341-00	SPRING	1
9	290-0445-00	LABEL	1	24	335-6887-00	HOOK LOCK	1
10	335-6499-00	CN-CVR	1	25	716-3444-50	SCREW(M1.7x0.35)	2
11	345-6363-00	RUBBER PART	1	26	738-1722-1H	PRECISION SCREW (M1.7x2.2)	3
12	346-0194-00	LEATHER SHEET	1	27	780-2004-51	SCREW(M2 x 4)	5
13	335-6501-01	HOOK DCP	1	28	946-0098-00	HOLDER-ASSY	1
14	750-3454-00	SPRING	1	29	946-0083-01	ARM-L ASSY	1
15	341-1764-00	SHAFT	1	30	946-0082-02	ARM-R-ASSY	1

# Main section



NO.	PART NO.	DESCRIPTION	Q'TY	NO.	PART NO.	DESCRIPTION	Q'TY
1	076-0648-22	PLUG(22P)	1	25	714-2610-89	MACHINE SCREW(M2.6 x10)	2
2	013-6100-00	SWITCH	1	26	313-2006-04	HEAT SINK(PE-3155B-A)	1
3	941-0227-02	TUNER PACK	1		313-2006-05	HEAT SINK(PE-3155K-A/B)	
4	092-4000-51	ANT-RECEPT	1	27	310-1896-00	UPPER CASE	1
5	074-1194-00	OUTLET SOCKET(CeNET) (PE-3155B-A)	1	28	714-2603-89	MACHINE SCREW(M2.6 x3)	4
6	051-3349-00	IC	1	29	345-6061-00	CUSHION(PE-3155B-A)	1
7	051-2069-00	IC	1	30	716-0872-52	MACHINE SCREW(M2.6 x3)	1
8	331-3459-00	IC HOLDER	1	31	929-5018-80	CD-MECH-MODULE	1
9	331-4749-00	CONNECTOR HOLD	1	32	074-2215-65	OUTLET SOCKET(15P)	1
10	855-5562-50	RCA PIN CORD	1	33	074-2215-60	OUTLET SOCKET(10P)	1
11	074-1214-50	OUTLET SOCKET(16P)	1	34	716-1670-01	SCREW(M2x4)	2
12	009-9006-60	CHOKE	1	35	074-2216-79	OUTLET SOCKET(29P)	1
13	313-2039-02	HEAT SINK	1	36	816-4026-55	FLAT WIRE	1
14	074-2220-79	OUTLET SOCKET(29P)	1	37	311-1859-02	LOWER CASE	1
15	074-2244-68	OUTLET SOCKET(18P)	1	38	276-0518-00	SETPLATE(PE-3155B-A)	1
16	854-4636-50	EXTENSION LEAD	1		276-0620-00	SETPLATE(PE-3155K-A)	1
17	331-4533-00	JACK HOLDER	2		276-0621-00	SETPLATE(PE-3155K-B)	1
18	714-3006-8B	MACHINE SCREW(M3 x 6)	2	39	780-2607-52	SCREW(M2.6 x 7)	2
19	075-0393-50	JACK	2	40	331-4312-01	EARTH PLATE	1
20	731-3006-85	TAPTIGHT(M3x6)	2	41	074-3014-72	OUTLET SOCKET(22P)	1
21	731-3008-89	TAPTIGHT(M3x8)	6	42	092-2240-00	ANT-RECEPT	1
22	-----	BT PWB	1	43	855-0642-53	USB CABLE	1
23	347-7954-00	FILM	3	44	-----	MAIN PWB	1
24	345-3799-20	RUBBER PART	6	45	-----	MECH PWB	1
				46	714-3006-85	MACHINE SCREW(M3 x 6)	4

CD mechanism section: 929-5018-80



NO.	PART NO.	DESCRIPTION	Q'TY	NO.	PART NO.	DESCRIPTION	Q'TY
1	-----	SENSOR PWB	1	39	621-1750-20	POWER GEAR C	1
2	966-1743-21	DRIVE-PLT-ASSY	1	40	621-1751-20	POWER GEAR D	1
3	SMA-182-100	SPINDLE MOTOR-ASSY	1	41	621-1752-20	DISC STOPPER	1
4	SMA-197-100	SLED MOTOR-ASSY	1	42	621-1753-20	CLAMPER RING	1
5	345-5476-20	CUSHION RUBBER	1	43	621-1754-20	GEAR BASE	1
6	620-1023-23	CLAMPER PLATE	1	44	622-1571-21	ROLLER SHAFT	1
7	620-1026-21	SPRING PLATE	1	45	624-0020-00	LEAD SCREW	1
8	620-1596-23	CLAMPER LINK	1	46	629-0114-20	DAMPER F	2
9	620-1862-20	UPPER CHASSIS	1	47	629-0115-20	DAMPER R	1
10	620-1752-20	SENSOR ARM	1	48	716-1507-01	SCREW(M2x3)	1
11	620-1753-20	ID-LOCK PLATE	1	49	716-1670-01	SCREW(M2x4)	4
12	620-1766-20	LOWER CHASSIS	1	50	716-1733-01	SCREW(M1.7x2.3)	2
13	621-0608-21	SECOND GEAR	1	51	716-3469-01	SCREW(1.7x4)	2
14	621-0609-20	BASE GEAR	1	52	716-3473-01	SCREW(M2x3)	1
15	621-0610-20	IDLE GEAR A	1	53	716-3551-00	SCREW(M1.4x2.5)	2
16	621-0611-20	IDLE GEAR B	1	54	750-7865-20	SHIFT SPRING	1
17	621-0612-21	ROLLER GEAR A	1	55	750-7866-20	RACK SPRING	1
18	621-0620-20	THREAD GEAR A	1	56	750-7867-20	CLAMPER SPRING	1
19	621-0621-20	THREAD GEAR B	1	57	750-7868-20	ID-LOCK SPRING	1
20	621-0623-23	LS-HOLDER	1	58	750-7869-20	SENSOR SPRING	1
21	621-0624-22	GUIDE RAIL	1	59	750-7870-20	DR-SPRING F	2
22	621-0711-21	LOADING ROLLER	2	60	750-7871-20	DR-SPRING RA	1
23	621-0718-21	ROLLER GUIDE	1	61	750-7872-20	DR-SPRING RB	1
24	621-0719-20	ROLLER GEAR	1	62	750-7873-20	DR-SPRING C	1
25	621-0720-20	ROLLER GEAR C	1	63	750-6797-20	ROLLER SPRING L	1
26	621-0721-20	ROLLER GEAR D	1	64	750-6798-20	ROLLER SPRING R	1
27	621-0728-20	STOPPER LINK	1	65	714-2003-8B	SCREW(M2x3)	2
28	621-1719-20	IDLE CASE	1	66	780-2025-00	SCREW(M2x2.5)	3
29	621-1726-20	ROLLER SLEEVE	2	67	781-1730-00	SCREW(M1.7x3)	1
30	621-1729-20	SH-BASE	1	68	803-4906-60	VINYL-COAT-WIRE(ORG)	1
31	621-1742-20	UPPER GUIDE	1	69	969-0071-32	PICKUP-ASSY	1
32	621-1743-20	SHIFT LEVER	1	70	816-2590-00	SPECIAL LEAD(GRN)	1
33	621-1744-20	RACK	1	71	816-2591-00	SPECIAL LEAD(YEL)	1
34	621-1745-20	LOCK ARM L	1	72	816-2592-00	SPECIAL LEAD(BLUE)	1
35	621-1746-20	LOCK ARM R	1	73	816-2593-00	SPECIAL LEAD(PUR)	1
36	621-1747-20	GEAR COVER	1	74	966-1722-20	SH-RACK-ASSY	1
37	621-1748-20	POWER GEAR A	1	75	816-2624-55	FLAT WIRE	1
38	621-1749-20	POWER GEAR B	1				

# ELECTRICAL PARTS LIST

Note)1. Several different parts of the same reference number are alternative parts.  
One of those parts is used in the set.

## Main PWB(B1) section

2. Some parts depend on each model. The model name is specified in the description.

REF No.	PART No.	DESCRIPTION	REF No.	PART No.	DESCRIPTION	REF No.	PART No.	DESCRIPTION
ANT201	092-4000-51	ANT-RECEPT	C302	043-1838-90	4700pF	C403	043-1735-90	100pF CH
BL201	941-0227-02	FAE391-AC3	C303	178-4732-78	0.047uF	C404	043-1735-90	100pF CH
C101	043-1735-90	100pF CH	C304	178-1032-78	0.01uF	C413	178-4742-78	0.47uF
C102	043-1735-90	100pF CH	C305	187-1063-35	16V 10uF	C414	178-4742-78	0.47uF
C103	043-1800-90	1000pF			(PE-3155B-A)	C415	178-4742-78	0.47uF
C104	043-1802-90	0.01uF	C306	187-1063-35	16V 10uF	C416	178-4742-78	0.47uF
C105	042-0650-00	5.5V 0.1F			(PE-3155B-A)	C427	187-2263-35	16V 22uF
C106	043-1800-90	1000pF	C307	187-1063-35	16V 10uF	C435	178-4742-78	0.47uF
C107	043-1802-90	0.01uF			(PE-3155B-A)	C437	042-4418-90	16V 10uF
C108	042-1577-00	6.3V 100uF	C308	187-1063-35	16V 10uF	C438	042-4418-90	16V 10uF
C109	043-1802-90	0.01uF			(PE-3155B-A)	C439	042-4418-90	16V 10uF
C110	043-1802-90	0.01uF	C309	187-1063-35	16V 10uF	C440	042-4418-90	16V 10uF
C111	178-4732-78	0.047uF	C310	187-1063-35	16V 10uF	C441	042-4418-90	16V 10uF
C112	043-1715-90	15pF CH	C311	187-1063-35	16V 10uF	C442	187-1053-65	50V 1uF
C113	187-3363-45	25V 33uF	C312	187-1063-35	16V 10uF	C443	042-4418-90	16V 10uF
C114	168-4712-55	470pF K	C313	187-1053-65	50V 1uF	C445	172-1041-15	0.1uF
C115	043-1804-90	0.1uF	C314	187-1053-65	50V 1uF	C446	042-1447-00	16V 2200uF
C116	043-1735-90	100pF CH	C315	187-1053-65	50V 1uF	C456	043-1838-90	4700pF
C117	187-1063-35	16V 10uF	C316	187-1053-65	50V 1uF	D101	001-1323-90	L1SS355T1G
C118	043-1804-90	0.1uF	C317	043-1804-90	0.1uF	D102	001-7062-90	RBR1111C
C119	189-4773-22	10V 470uF	C318	043-1804-90	0.1uF	D103	001-4301-29	HZU5.1B2
C120	187-1043-65	50V 0.1uF	C319	043-1804-90	0.1uF	D104	001-2601-90	MA728
C121	043-1804-90	0.1uF	C320	043-1804-90	0.1uF	D105	001-1323-90	L1SS355T1G
C122	187-1073-35	16V 100uF	C321	189-4773-32	16V 470uF	D107	001-4301-26	HZU4.7B2
C123	043-1804-90	0.1uF	C323	187-4763-15	6.3V 47uF	D109	001-0466-61	1A4
C124	187-1073-35	16V 100uF	C324	043-1804-90	0.1uF	D110	001-0466-61	1A4
C125	043-1804-90	0.1uF	C325	043-1804-90	0.1uF	D112	001-1323-90	L1SS355T1G
C126	043-1804-90	0.1uF	C326	187-1063-35	16V 10uF	D152	001-4301-41	HZU7.5B2
C127	187-1063-35	16V 10uF	C327	043-1804-90	0.1uF	D161	001-1323-90	L1SS355T1G
C128	043-1719-90	22pF CH	C330	043-1735-90	100pF CH	D162	001-1323-90	L1SS355T1G
C129	043-1719-90	22pF CH			(PE-3155B-A)	D164	001-1323-90	L1SS355T1G
C131	166-1011-50	100pF CH	C331	187-4763-15	6.3V 47uF	D165	001-0504-32	HZS6A3L
C132	166-1011-50	100pF CH	C332	043-1735-90	100pF CH	D301	001-4316-17	LM3Z4V3T1G
C161	187-2253-65	50V 2.2uF	C333	187-4763-35	16V 47uF	D401	001-4316-24	LM3Z8V2T1G
C162	043-1735-90	100pF CH	C334	043-1804-90	0.1uF	D402	001-1323-90	L1SS355T1G
C163	187-1053-65	50V 1uF	C335	187-1053-65	50V 1uF	D403	001-1323-90	L1SS355T1G
C164	187-1063-35	16V 10uF	C336	187-1053-65	50V 1uF	D405	001-1323-90	L1SS355T1G
C165	187-1073-35	16V 100uF			(PE-3155B-A)	D406	001-0592-61	1N5404
C168	189-1083-12	6.3V 1000uF	C337	187-1053-65	50V 1uF	D418	001-0466-61	1A4(PE-3155B-A)
C201	043-1727-90	47pF CH	C338	043-1735-90	100pF CH	IC101	052-3976-40	M30876MJB-A38GP
C202	043-1802-90	0.01uF	C339	043-1735-90	100pF CH	IC102	051-5438-08	S-80830CN
C203	042-9102-01	50V 3.3uF LZ	C340	187-1053-65	50V 1uF	IC103	051-5437-58	R3111N211A
C204	043-1804-90	0.1uF			(PE-3155B-A)	IC104	051-6600-90	LA2335M
C205	187-1073-25	10V 100uF	C341	043-1735-90	100pF CH			(PE-3155B-A)
C206	168-2722-55	2700pF K	C342	043-1735-90	100pF CH	IC105	051-3349-00	HA13166
C207	187-1073-25	10V 100uF	C343	043-1800-90	100pF	IC106	051-3535-90	MM3144ANR
C208	043-1703-90	2pF	C344	043-1735-90	100pF CH	IC107	051-9429-90	24LC256T
C209	043-1802-90	0.01uF	C345	043-1735-90	100pF CH	IC201	051-6212-08	LC72191JM
C210	043-1804-90	0.1uF	C349	187-1063-35	16V 10uF	IC301	051-3060-90	AZ4558M
C211	043-1735-90	100pF CH	C350	187-1063-35	16V 10uF			(PE-3155B-A)
C212	043-1800-90	1000pF	C352	187-1063-35	16V 10uF	IC302	051-3060-90	AZ4558M
C213	187-1073-25	16V 47uF	C353	187-1063-35	16V 10uF	IC303	051-5048-90	NJW1222
C214	043-1802-90	0.01uF	C354	187-1063-35	16V 10uF	IC304	051-3019-90	NJM2060
C215	043-1735-90	100pF CH	C355	043-1735-90	100pF CH	IC402	051-2069-00	LA47202P-N-E
C216	043-1717-90	18pF CH	C356	043-1735-90	100pF CH	J100	075-0393-50	3P
C217	187-4763-15	6.3V 47uF	C357	043-1735-90	100pF CH	J101	074-2244-68	18P
C218	043-1715-90	15pF CH	C358	043-1735-90	100pF CH	J102	074-1194-00	13P Ce-NET
C219	043-1828-90	330pF	C359	187-1063-35	16V 10uF			(PE-3155B-A)
C220	043-1735-90	100pF CH	C360	187-1063-35	16V 10uF	J105	074-2220-79	29P
C234	043-1827-90	0.027uF	C361	043-1804-90	0.1uF	J300	075-0393-50	3P
C235	043-1827-90	0.027uF	C362	187-1063-35	16V 10uF	J301	076-0648-22	22P
C250	187-4763-35	16V 47uF	C401	043-1735-90	100pF CH	J401	074-1214-50	16P
C301	043-1838-90	4700pF	C402	043-1735-90	100pF CH	L101	010-3105-62	COIL

REF No.	PART No.	DESCRIPTION	REF No.	PART No.	DESCRIPTION	REF No.	PART No.	DESCRIPTION
L102	010-3407-59	5.6uH	R123	119-2711-15	1/10W 270 ohm			(PE-3155B-A)
L103	010-3100-66	2.2uH	R124	119-1031-15	1/10W 10k ohm	R312	032-0140-58	1/10W 51k ohm(F)
L104	010-3100-66	2.2uH	R126	119-4721-15	1/10W 4.7k ohm			(PE3155Y-A)
L105	010-3100-66	2.2uH	R130	119-2221-15	1/10W 2.2k ohm	R313	032-0140-58	1/10W 51k ohm(F)
L201	010-2003-04	30uH	R131	119-1031-15	1/10W 10k ohm			(PE-3155B-A)
L202	010-3105-67	1.5k ohm/100kHz	R132	119-1031-15	1/10W 10k ohm	R314	032-0140-89	1/10W 47k ohm(F)
L203	010-3105-67	1.5k ohm/100kHz			(PE-3155K-A/B)	R315	032-0140-51	1/10W 15k ohm(F)
L205	010-6027-00	220uH	R134	119-1031-15	1/10W 10k ohm			(PE-3155B-A)
L206	010-6009-57	0.56uH			(PE-3155B-A)	R316	032-0140-89	1/10W 47k ohm(F)
Q101	125-2027-91	DTC114EUA-T106	R135	119-1031-15	1/10W 10k ohm	R317	032-0140-89	1/10W 47k ohm(F)
Q104	190-1576-00	2SA1576-T106	R136	119-4721-15	1/10W 4.7k ohm	R318	032-0140-51	1/10W 15k ohm(F)
Q109	125-2027-92	DTC124EUA-T106	R137	119-1031-15	1/10W 10k ohm			(PE-3155B-A)
Q110	125-2027-92	DTC124EUA-T106	R138	119-4731-15	1/10W 47k ohm	R319	032-0140-89	1/10W 47k ohm(F)
Q111	125-3007-90	KTA1273	R139	119-1031-15	1/10W 10k ohm	R320	032-0140-51	1/10W 15k ohm(F)
Q114	125-4024-90	3DG3875	R140	119-1041-15	1/10W 100k ohm			(PE-3155B-A)
Q115	125-0021-95	DTA143ZUA	R141	119-1041-15	1/10W 100k ohm	R321	032-0140-51	1/10W 15k ohm(F)
Q116	190-1576-00	2SA1576-T106	R143	119-2231-15	1/10W 22k ohm			(PE-3155B-A)
		(PE-3155B-A)	R144	116-4721-15	1/4W 4.7k ohm	R322	032-0140-89	1/10W 47k ohm(F)
Q117	125-2027-92	DTC124EUA-T106	R147	119-1531-15	1/10W 15k ohm	R323	119-3311-15	1/10W 330 ohm
		(PE-3155B-A)	R148	119-1031-15	1/10W 10k ohm	R324	119-1011-15	1/10W 100 ohm
Q119	192-4081-00	2SC4081-T106	R149	119-1031-15	1/10W 10k ohm	R325	119-1011-15	1/10W 100 ohm
Q120	125-0021-95	DTA143ZUA	R151	119-5621-15	1/10W 5.6k ohm	R326	119-1011-15	1/10W 100 ohm
Q121	125-2027-92	DTC124EUA-T106	R152	119-1041-15	1/10W 100k ohm	R327	119-1011-15	1/10W 100 ohm
Q123	125-9026-90	IMF29	R153	119-4731-15	1/10W 47k ohm	R328	119-1011-15	1/10W 100 ohm
Q151	192-4081-00	2SC4081-T106	R154	116-1521-15	1/4W 1.5k ohm	R329	119-1011-15	1/10W 100 ohm
Q152	125-0021-92	DTA114EUA-T106	R155	119-1521-15	1/10W 1.5k ohm	R332	119-1031-15	1/10W 10k ohm
Q155	192-4081-00	2SC4081-T106	R156	119-2741-15	1/10W 270k ohm	R333	119-1031-15	1/10W 10k ohm
Q169	125-4026-00	3DA2026	R158	116-6801-15	1/4W 68 ohm	R335	119-1031-15	1/10W 10k ohm
Q201	125-0021-92	DTA114EUA-T106			(PE-3155B-A)	R336	119-1031-15	1/10W 10k ohm
Q202	125-0021-92	DTA114EUA-T106	R159	119-1031-15	1/10W 10k ohm	R337	119-1031-15	1/10W 10k ohm
Q203	192-4081-00	2SC4081-T106	R163	119-1021-15	1/10W 1k ohm	R338	119-1031-15	1/10W 10k ohm
Q204	192-4081-00	2SC4081-T106	R164	032-0140-52	1/10W 33k ohm(F)	R339	119-1031-15	1/10W 10k ohm
Q208	125-4011-90	KTD863YAT	R165	032-0140-80	1/10W 18k ohm(F)	R340	119-4721-15	1/10W 4.7k ohm
Q401	125-2027-92	DTC124EUA-T106	R166	119-4731-15	1/10W 47k ohm	R341	119-4721-15	1/10W 4.7k ohm
Q402	125-2027-92	DTC124EUA-T106	R167	119-1041-15	1/10W 100k ohm	R342	119-1031-15	1/10W 10k ohm
Q403	192-4081-00	2SC4081-T106	R168	119-2231-15	1/10W 22k ohm	R344	119-4721-15	1/10W 4.7k ohm
Q404	125-2027-95	DTC143ZUA-T106	R169	116-2211-15	1/4W 220 ohm	R345	119-1021-15	1/10W 1k ohm
Q408	192-4081-00	2SC4081-T106	R175	119-1041-15	1/10W 100k ohm	R346	119-4721-15	1/10W 4.7k ohm
Q409	125-0021-95	DTA143ZUA	R176	119-6831-15	1/10W 68k ohm	R351	119-1021-15	1/10W 1k ohm
Q410	125-4012-90	KTD1304	R199	119-4731-15	1/10W 47k ohm	R352	119-1021-15	1/10W 1k ohm
Q411	125-4012-90	KTD1304	R201	119-2221-15	1/10W 2.2k ohm	R401	119-0000-05	1/10W 0 ohm JW
Q412	125-4012-90	KTD1304	R202	119-2221-15	1/10W 2.2k ohm	R402	119-0000-05	1/10W 0 ohm JW
Q413	125-4012-90	KTD1304	R203	119-1021-15	1/10W 1k ohm	R403	119-0000-05	1/10W 0 ohm JW
Q414	125-2198-90	KRC110S	R204	119-2221-15	1/10W 2.2k ohm	R404	119-0000-05	1/10W 0 ohm JW
Q415	125-4012-90	KTD1304	R205	119-2211-15	1/10W 220 ohm	R408	119-8221-15	1/10W 8.2k ohm
Q416	125-4012-90	KTD1304	R207	119-4741-15	1/10W 470k ohm	R409	119-1021-15	1/10W 1k ohm
R101	119-1031-15	1/10W 10k ohm	R208	119-2221-15	1/10W 2.2k ohm	R410	119-1021-15	1/10W 1k ohm
R103	119-1011-15	1/10W 100 ohm	R209	119-1031-15	1/10W 10k ohm	R411	119-4711-15	1/10W 470 ohm
R104	119-1031-15	1/10W 10k ohm	R210	119-1031-15	1/10W 10k ohm	R412	119-2231-15	1/10W 22k ohm
R105	119-1041-15	1/10W 100k ohm	R211	119-2221-15	1/10W 2.2k ohm	R413	119-4721-15	1/10W 4.7k ohm
R106	119-1031-15	1/10W 10k ohm	R212	119-5631-15	1/10W 56k ohm	R417	119-1031-15	1/10W 10k ohm
R107	119-4711-15	1/10W 470 ohm	R214	119-1041-15	1/10W 100k ohm	R446	119-1031-15	1/10W 10k ohm
R108	119-4721-15	1/10W 4.7k ohm	R215	119-1031-15	1/10W 10k ohm	R448	119-2231-15	1/10W 22k ohm
R109	119-1031-15	1/10W 10k ohm	R217	119-2221-15	1/10W 2.2k ohm	R449	119-2231-15	1/10W 22k ohm
R110	119-1031-15	1/10W 10k ohm	R236	119-3311-15	1/10W 330 ohm	R450	119-2231-15	1/10W 22k ohm
R111	119-1031-15	1/10W 10k ohm	R301	119-1041-15	1/10W 100k ohm	R451	119-2231-15	1/10W 22k ohm
R112	119-4721-15	1/10W 4.7k ohm	R302	119-1041-15	1/10W 100k ohm	R452	119-3311-15	1/10W 330 ohm
R113	119-1811-15	1/10W 180 ohm	R303	119-4731-15	1/10W 47k ohm	R453	119-3311-15	1/10W 330 ohm
R114	119-4721-15	1/10W 4.7k ohm	R306	119-4701-15	1/10W 47 ohm	R454	119-3311-15	1/10W 330 ohm
R115	119-4711-15	1/10W 470 ohm	R307	032-0140-89	1/10W 47k ohm(F)	R455	119-3311-15	1/10W 330 ohm
R116	119-1811-15	1/10W 180 ohm	R308	032-0140-89	1/10W 47k ohm(F)	R456	119-3311-15	1/10W 330 ohm
R117	119-1811-15	1/10W 180 ohm	R309	032-0140-58	1/10W 51k ohm(F)	R457	119-3311-15	1/10W 330 ohm
R118	119-4711-15	1/10W 470 ohm			(PE-3155B-A)	R458	119-1021-15	1/10W 1k ohm
R119	119-1031-15	1/10W 10k ohm	R310	032-0140-89	1/10W 47k ohm(F)	R459	119-1021-15	1/10W 1k ohm
R122	119-4721-15	1/10W 4.7k ohm	R311	032-0140-58	1/10W 51k ohm(F)	R460	116-4721-15	1/4W 4.7k ohm

REF No.	PART No.	DESCRIPTION	REF No.	PART No.	DESCRIPTION	REF No.	PART No.	DESCRIPTION
R461	119-6831-15	1/10W 68k ohm	R465	119-1021-15	1/10W 1k ohm	X101	061-3014-00	10MHz
R462	119-1041-15	1/10W 100k ohm	S101	013-6100-00	SWITCH	X201	061-1066-00	7.2MHz
R463	119-2231-15	1/10W 22k ohm	SUP202	060-0122-20	DSP-141N-S00B	PWB101	039-3417-01	PWB(WITHOUT COMPONENT)
R464	119-2231-15	1/10W 22k ohm	T401	009-9006-60	CHOKE 0.23mH			

Switch PWB(B2) section

REF No.	PART No.	DESCRIPTION	REF No.	PART No.	DESCRIPTION	REF No.	PART No.	DESCRIPTION
C607	042-0416-54	16V 10uF	D718	001-7114-91	DIODE	R928	119-3321-15	1/10W 3.3k ohm
C608	042-0423-97	16V 10uF	D719	001-7114-91	DIODE	R929	119-1031-15	1/10W 10k ohm
C701	042-0416-54	16V 10uF	IC701	051-6089-00	NJU6539	R935	119-1021-15	1/10W 1k ohm
C702	043-1804-90	0.1pF	IR1	060-4021-00	GPIOX51	R970	119-8211-15	1/10W 820 ohm
C703	043-1804-90	0.1pF	J702	075-9017-00	4P	R971	119-8211-15	1/10W 820 ohm
C704	043-1804-90	0.1pF	LCD901	379-1435-51	INDICATOR(LCD)	R972	119-8211-15	1/10W 820 ohm
C705	043-1804-90	0.1pF	P1	076-0647-00	16P	S901	013-6312-50	SWITCH
C706	043-1804-90	0.1pF	Q701	125-2027-92	DTC124EUA	S902	013-6312-50	SWITCH
C707	043-1804-90	0.1pF	Q702	125-0025-93	RN2303	S920	013-6312-50	SWITCH
C708	043-1804-90	0.1pF	Q902	192-3440-50	2SC3440	S922	013-6312-50	SWITCH
C709	043-1802-90	0.01pF	Q902	193-1781-50	2SD1781K	S923	013-6312-50	SWITCH
C710	042-0416-54	16V 10uF	Q903	192-3440-50	2SC3440	S924	013-6312-50	SWITCH
C711	043-1802-90	0.01pF	Q903	193-1781-50	2SD1781K	S926	013-6312-50	SWITCH
D1	001-4907-90	PGO5GBUSV	R606	033-1011-15	1/16W 100 ohm	S927	013-6312-50	SWITCH
D2	001-4907-90	PGO5GBUSV	R608	119-8211-15	1/10W 820 ohm	S928	013-6312-50	SWITCH
D603	001-4301-17	HZU3.3B2	R609	119-4721-15	1/10W 4.7k ohm	S930	013-6312-50	SWITCH
D702	001-4301-44	HZU8.2B2	R750	119-1241-15	1/10W 120k ohm	S931	013-6312-50	SWITCH
D703	001-7097-91	DIODE	R758	119-6801-15	1/10W 68 ohm	S932	013-6312-50	SWITCH
D705	001-7097-91	DIODE	R760	119-1041-15	1/10W 100k ohm	S934	013-6312-50	SWITCH
D706	001-4301-41	HZU7.5B2	R762	119-8211-15	1/10W 820 ohm	S935	013-6312-50	SWITCH
D707	001-7097-91	DIODE	R763	119-8211-15	1/10W 820 ohm	S936	013-6312-50	SWITCH
D708	001-4301-41	HZU7.5B2	R765	119-8211-15	1/10W 820 ohm	S938	013-6312-50	SWITCH
D709	001-7097-91	DIODE	R767	119-8211-15	1/10W 820 ohm	S940	013-6312-50	SWITCH
D715	001-0584-21	HZU7.5B2	R770	119-3921-15	1/10W 3.9k ohm	VR901	016-9901-02	VR W/SHAFT
D716	001-2601-90	MA728	R926	119-1031-15	1/10W 10k ohm	PWB101	039-3419-00	PWB(WITHOUT COMPONENT)
D717	001-7114-91	DIODE	R927	119-3321-15	1/10W 3.3k ohm			

BT PWB (B3) section

REF No.	PART No.	DESCRIPTION	REF No.	PART No.	DESCRIPTION	REF No.	PART No.	DESCRIPTION
ANT103	092-2240-00	ANT-RECEPT	C117	043-1804-90	0.1uF	R108	033-1011-15	1/16W 100 ohm
C101	043-0603-90	10uF	C119	045-3311-50	330pF	R109	033-1011-15	1/16W 100 ohm
C102	168-1022-55	1000pF	D100	001-0529-20	MA8039L	R110	033-2231-15	1/16W 22k ohm
C103	046-1042-78	0.1uF	IC101	060-8098-90	UGZZ8X708	R111	033-4731-15	1/16W 47k ohm
C104	043-0603-90	10uF	IC102	051-3026-90	NJM4580V	R112	033-2231-15	1/16W 22k ohm
C105	178-1052-78	1uF	IC103	051-3389-90	PQ1M335M2SPQ	R113	033-1031-15	1/16W 10k ohm
C106	178-1052-78	1uF	J101	074-3014-72	22P	R114	033-4721-15	1/16W 4.7k ohm
C107	043-1626-90	820pF	L101	010-3406-56	3.3uH	R115	033-4721-15	1/16W 4.7k ohm
C108	045-3311-50	330pF	L102	010-3104-54	MPZ1608S601AT	R116	033-4721-15	1/16W 4.7k ohm
C109	178-1052-78	1uF	L103	010-3104-54	MPZ1608S601AT	R117	033-3321-15	1/16W 3.3k ohm
C110	178-1052-78	1uF	R101	033-1011-15	1/16W 100 ohm	R118	119-1021-15	1/10W 1k ohm
C111	043-0603-90	10uF	R102	033-1011-15	1/16W 100 ohm	R119	033-2221-15	1/16W 2.2k ohm
C112	045-1011-50	100pF	R103	033-1011-15	1/16W 100 ohm	R120	033-1011-15	1/16W 100 ohm
C113	046-1042-78	0.1uF	R104	033-1011-15	1/16W 100 ohm	R121	033-1011-15	1/16W 100 ohm
C114	046-1042-78	0.1uF	R105	033-1011-15	1/16W 100 ohm	R122	119-1021-15	1/10W 1k ohm
C115	043-0603-90	10uF	R106	033-1011-15	1/16W 100 ohm	PWB	039-3420-00	PWB(WITHOUT COMPONENT)
C116	043-0603-90	10uF	R107	033-1011-15	1/16W 100 ohm			

MECH PWB (B4) section

REF No.	PART No.	DESCRIPTION	REF No.	PART No.	DESCRIPTION	REF No.	PART No.	DESCRIPTION
C2	043-1804-90	0.1uF	C11	042-0560-85	6.3V 100uF	C22	043-1614-90	470pF
C3	042-0636-50	6.3V 100uF	C12	043-0552-90	6.3V 47uF	C23	043-1841-90	0.047uF
C4	043-1804-90	0.1uF	C13	043-1804-90	0.1uF	C24	043-1713-90	12pF
C5	163-1073-35	16V 100uF	C14	043-1804-90	0.1uF	C25	043-1713-90	12pF
C6	163-1073-35	16V 100uF	C15	168-1052-78	25V 1uF	C26	043-1804-90	0.1uF
C7	168-1052-78	25V 1uF	C16	168-1052-78	25V 1uF	C27	043-1611-90	2200pF
C8	163-1063-35	16V 10uF	C17	042-0423-21	10V 22uF	C28	043-1804-90	0.1uF
C9	168-1052-78	25V 1uF	C20	043-1614-90	470pF	C30	043-1617-90	6800pF
C10	042-0423-21	10V 22uF	C21	043-1841-90	0.047uF	C31	043-1804-90	0.1uF

REF No.	PART No.	DESCRIPTION	REF No.	PART No.	DESCRIPTION	REF No.	PART No.	DESCRIPTION
C32	043-1804-90	0.1uF	D903	001-4316-16	DIODE	R59	033-4731-15	1/16W 47k ohm
C33	043-1613-90	0.033pF	IC1	051-6079-80	BA5830FM	R60	033-1041-15	1/16W 100k ohm
C34	043-1804-90	0.1uF	IC2	052-3981-20	TMP92CD28AFG-7CH4	R61	033-1041-15	1/16W 100k ohm
C35	043-1804-90	0.1uF	IC3	051-6733-40	TC94A70FG-011	R63	033-0000-05	1/16W 0 ohm JW
C37	043-1804-90	0.1uF	IC5	051-6926-90	BD2051AFJ	R64	033-4731-15	1/16W 47k ohm
C38	042-0423-20	10V 10uF	IC7	051-5418-08	S-80827CNMC	R65	033-4731-15	1/16W 47k ohm
C39	043-1804-90	0.1uF	IC8	051-6928-90	341S2094	R66	033-0000-05	1/16W 0 ohm JW
C40	043-1804-90	0.1uF	IC997	051-7226-08	TC7SH00FU	R67	033-0000-05	1/16W 0 ohm JW
C41	043-1804-90	0.1uF	IC998	051-3536-90	AP2121AK-1.5TRE1	R68	033-0000-05	1/16W 0 ohm JW
C42	043-1804-90	0.1uF	IC999	051-3536-90	AP2121AK-1.5TRE1	R69	033-1041-15	1/16W 100k ohm
C43	043-1804-90	0.1uF	J101	074-2216-79	29P	R70	033-4731-15	1/16W 47k ohm
C44	043-1607-90	0.01pF	J201	074-2215-65	15P	R71	033-2211-15	1/16W 220 ohm
C45	043-1605-90	68pF	J301	074-2215-60	10P	R72	033-2211-15	1/16W 220 ohm
C46	043-1804-90	0.1uF	L8	010-3105-69	COIL	R74	033-1041-15	1/16W 100k ohm
C47	043-1610-90	0.015pF	Q4	190-2060-00	2SA2060	R75	033-1041-15	1/16W 100k ohm
C48	043-1804-90	0.1uF	Q7	191-1197-50	B1197	R76	033-2211-15	1/16W 220 ohm
C49	043-1607-90	0.01pF	Q8	125-2027-92	DTC124EU	R77	033-4731-15	1/16W 47k ohm
C50	043-1804-90	0.1uF	R1	033-5621-15	1/16W 5.6k ohm	R78	033-2211-15	1/16W 220 ohm
C51	043-1804-90	0.1uF	R2	033-1031-15	1/16W 10k ohm	R79	033-1051-15	1/16W 1M ohm
C52	043-1609-90	1500pF	R3	117-6811-15	1/10W 680 ohm	R80	033-1051-15	1/16W 1M ohm
C53	043-1612-90	3300pF	R4	033-1051-15	1/16W 1M ohm	R81	033-4701-15	1/16W 47 ohm
C54	043-1607-90	0.01pF	R6	033-1021-15	1/16W 1k ohm	R82	033-0000-05	1/16W 0 ohm JW
C56	043-1804-90	0.1uF	R7	117-1001-15	1/10W 10 ohm	R84	033-4731-15	1/16W 47k ohm
C57	043-1610-90	0.015pF	R8	033-0000-05	1/16W 0 ohm JW	R86	033-4731-15	1/16W 47k ohm
C60	043-1604-90	47pF	R9	033-0000-05	1/16W 0 ohm JW	R87	033-4731-15	1/16W 47k ohm
C61	043-1804-90	0.1uF	R10	033-8231-15	1/16W 82k ohm	R88	033-4731-15	1/16W 47k ohm
C62	043-1804-90	0.1uF	R11	032-0140-88	1/10W 100k ohm(F)	R89	033-4731-15	1/16W 47k ohm
C63	043-1804-90	0.1uF	R12	033-1531-15	1/16W 15k ohm	R94	033-1031-15	1/16W 10k ohm
C64	043-1804-90	0.1uF	R13	033-8231-15	1/16W 82k ohm	R95	033-1041-15	1/16W 100k ohm
C65	042-0423-21	10V 22uF	R15	033-2731-15	1/16W 27k ohm	R96	033-1531-15	1/16W 15k ohm
C66	043-1804-90	0.1uF	R16	033-4731-15	1/16W 47k ohm	R97	033-1531-15	1/16W 15k ohm
C67	043-1804-90	0.1uF	R17	033-2731-15	1/16W 27k ohm	R98	032-0163-96	1/4W 27 ohm
C69	043-1612-90	3300pF	R18	033-2211-15	1/16W 220 ohm	R99	032-0163-96	1/4W 27 ohm
C70	168-1052-78	25V 1uF	R19	033-2731-15	1/16W 27k ohm	R103	033-1031-15	1/16W 10k ohm
C71	043-1612-90	3300pF	R20	033-2731-15	1/16W 27k ohm	R104	033-0000-05	1/16W 0 ohm JW
C72	168-1052-78	25V 1uF	R21	033-2221-15	1/16W 2.2k ohm	R110	033-0000-05	1/16W 0 ohm JW
C73	043-1804-90	0.1uF	R22	033-1051-15	1/16W 1M ohm	R111	033-0000-05	1/16W 0 ohm JW
C74	043-1804-90	0.1uF	R24	033-2211-15	1/16W 220 ohm	R114	033-1031-15	1/16W 10k ohm
C76	163-3353-65	50V 3.3uF	R25	119-4721-15	1/10W 4.7k ohm	R115	033-1221-15	1/16W 1.2k ohm
C77	163-3353-65	50V 3.3uF	R26	119-4721-15	1/10W 4.7k ohm	R116	033-0000-05	1/16W 0 ohm JW
C78	043-1804-90	0.1uF	R27	033-4731-15	1/16W 47k ohm	R117	033-0000-05	1/16W 0 ohm JW
C79	043-1804-90	0.1uF	R28	033-2231-15	1/16W 22k ohm	R118	033-0000-05	1/16W 0 ohm JW
C80	043-1804-90	0.1uF	R29	033-2231-15	1/16W 22k ohm	R119	033-1041-15	1/16W 100k ohm
C81	043-1804-90	0.1uF	R30	033-4731-15	1/16W 47k ohm	R203	033-0000-05	1/16W 0 ohm JW
C82	043-1804-90	0.1uF	R31	033-3341-15	1/16W 330k ohm	R205	033-0000-05	1/16W 0 ohm JW
C83	043-1804-90	0.1uF	R33	033-5621-15	1/16W 5.6k ohm	R206	033-0000-05	1/16W 0 ohm JW
C89	043-1613-90	0.033pF	R34	033-0000-05	1/16W 0 ohm JW	R207	033-0000-05	1/16W 0 ohm JW
C90	043-1804-90	0.1uF	R36	033-1021-15	1/16W 1k ohm	R208	033-0000-05	1/16W 0 ohm JW
C93	043-1600-90	10pF	R37	033-1021-15	1/16W 1k ohm	R209	033-0000-05	1/16W 0 ohm JW
C94	043-1600-90	10pF	R40	033-4731-15	1/16W 47k ohm	R210	119-0000-05	1/10W 0 ohm
C97	043-1804-90	0.1uF	R41	033-6831-15	1/16W 68k ohm	R213	033-0000-05	1/16W 0 ohm JW
C98	043-1804-90	0.1uF	R42	033-6831-15	1/16W 68k ohm	R214	033-0000-05	1/16W 0 ohm JW
C99	043-1804-90	0.1uF	R43	033-2211-15	1/16W 220 ohm	R215	033-0000-05	1/16W 0 ohm JW
C100	043-1602-90	18pF	R44	033-0000-05	1/16W 0 ohm JW	R216	033-1021-15	1/16W 1k ohm
C101	043-1602-90	18pF	R45	033-0000-05	1/16W 0 ohm JW	R218	033-0000-05	1/16W 0 ohm JW
C102	043-1804-90	0.1uF	R46	033-4731-15	1/16W 47k ohm	R219	033-0000-05	1/16W 0 ohm JW
C103	043-1607-90	0.01pF	R50	033-3311-15	1/16W 330 ohm	R324	033-1021-15	1/16W 1k ohm
C104	043-1706-90	5pF	R51	033-4721-15	1/16W 4.7k ohm	TM102	073-0768-90	TERMINAL
C105	166-4096-50	50V 4pF	R52	033-4721-15	1/16W 4.7k ohm	X1	061-3534-90	16.92MHz
CCT1	050-0140-57	1/32W 10k ohm	R53	033-1041-15	1/16W 100k ohm	X2	061-3559-90	9MHz
CCT2	050-0140-54	1/32W 1k ohm	R54	033-3311-15	1/16W 330 ohm	X3	061-3568-90	32.768kHz
D1	001-0367-91	1SS226TE85L	R55	033-1031-15	1/16W 10k ohm	X4	061-3568-90	32.768kHz
D900	060-8078-00	EZAEG3A50AV	R56	033-1031-15	1/16W 10k ohm	PWB	039-3423-00	PWB(WITHOUT COMPONENT)
D901	060-8078-00	EZAEG3A50AV	R57	033-1041-15	1/16W 100k ohm			