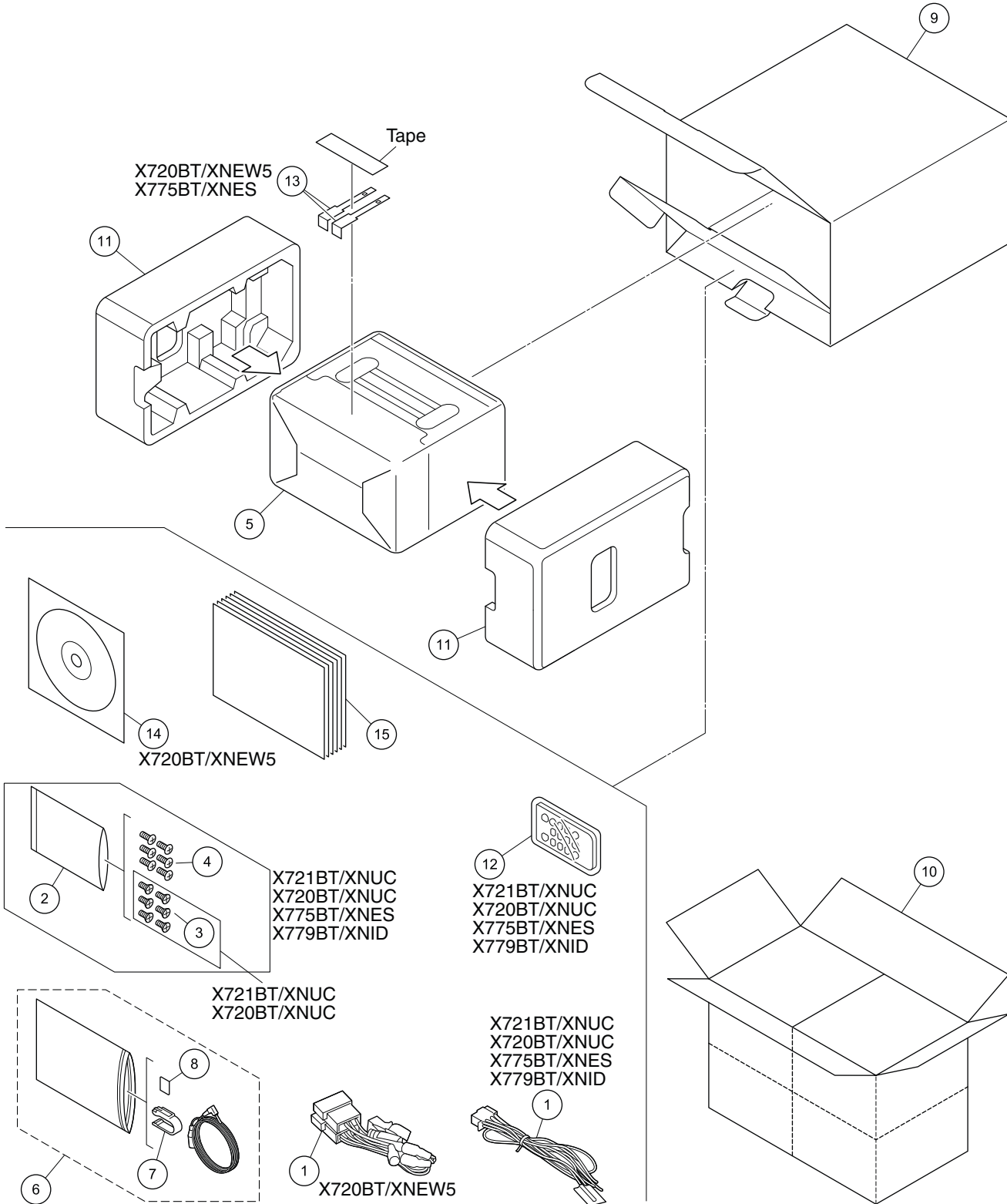


9. EXPLODED VIEWS AND PARTS LIST

NOTES : • Parts marked by " * " are generally unavailable because they are not in our Master Spare Parts List.

- The ⚠ mark found on some component parts indicates the importance of the safety factor of the part. Therefore, when replacing, be sure to use parts of identical designation.
- Screw adjacent to ▽ mark on the product are used for disassembly.
- For the applying amount of lubricants or glue, follow the instructions in this manual.
(In the case of no amount instructions, apply as you think it appropriate.)

9.1 PACKING



(1) PACKING SECTION PARTS LIST

<u>Mark No.</u>	<u>Description</u>	<u>Part No.</u>	<u>Mark No.</u>	<u>Description</u>	<u>Part No.</u>
1	Cord Assy	See Contrast table (2)	12	Card Remote Control Unit	See Contrast table (2)
2	Polyethylene Bag	See Contrast table (2)	13	Handle	See Contrast table (2)
3	Screw	See Contrast table (2)	14	IM CD-ROM	See Contrast table (2)
4	Screw	See Contrast table (2)	15-1	Owner's Manual	See Contrast table (2)
5	Cover	See Contrast table (2)			
			*	15-2 Warranty Card	See Contrast table (2)
6	Microphone Assy	CPM1083	*	15-3 Caution Card	See Contrast table (2)
7	Holder	CZN7192	*	15-4 Caution Card	See Contrast table (2)
8	Cushion	CZN7193		15-5 Quick Start Guide	See Contrast table (2)
9	Unit Box	See Contrast table (2)		15-6 Installation Manual	See Contrast table (2)
10	Contain Box	See Contrast table (2)			
			*	15-7 Service Network	See Contrast table (2)
11	Protector	See Contrast table (2)			

(2) CONTRAST TABLE

FH-X721BT/XNUC, FH-X720BT/XNUC, FH-X720BT/XNEW5, FH-X775BT/XNES and FH-X779BT/XNID are constructed the same except for the following:

Mark	No.	Description	FH-X721BT /XNUC	FH-X720BT /XNUC	FH-X720BT /XNEW5	FH-X775BT /XNES	FH-X779BT /XNID
	1	Cord Assy	CDP1484	CDP1484	QDP3072	CDP1484	CDP1484
	2	Polyethylene Bag	CEG1160	CEG1160	Not used	CEG1160	CEG1160
	3	Screw	CRZ50P090FTC	CRZ50P090FTC	Not used	Not used	Not used
	4	Screw	TRZ50P080FTC	TRZ50P080FTC	Not used	TRZ50P080FTC	TRZ50P080FTC
	5	Cover	CEG1359	CEG1359	CEG1356	CEG1356	CEG1356
	9	Unit Box	QHG3700	QHG3698	QHG3696	QHG3697	QHG3699
	10	Contain Box	QHL3700	QHL3698	QHL3696	QHL3697	QHL3699
	11	Protector	QHP3033	QHP3033	QHP3041	QHP3041	QHP3033
	12	Card Remote Control Unit	QXE1044	QXE1044	Not used	QXE1044	QXE1044
	13	Handle	Not used	Not used	CND6289	CND6289	Not used
	14	IM CD-ROM	Not used	Not used	QPJ3030	Not used	Not used
	15-1	Owner's Manual	QRD3295	QRD3295	QRB3485	QRD3296	QRB3493
*	15-2	Warranty Card	QRY3001	QRY3001	CRY1376	Not used	CRY1304
*	15-3	Caution Card	Not used	Not used	CRP1438	Not used	Not used
*	15-4	Caution Card	Not used	Not used	CRP1441	Not used	Not used
	15-5	Quick Start Guide	Not used	Not used	QRD3293	Not used	Not used
	15-6	Installation Manual	Not used	Not used	QRD3294	Not used	Not used
*	15-7	Service Network	Not used	Not used	Not used	Not used	CRY1305

Owner's Manual, Installation Manual

Part No.	Language
QRD3293	English, French, Italian, Spanish(Espanol), German, Dutch, Russian
QRD3294	English, French, Italian, Spanish(Espanol), German, Dutch, Russian
QRD3295	English, French, Spanish(Espanol)
QRD3296	English, Spanish(Espanol), Portuguese(B), Traditional Chinese, Arabic, Persian
QRB3493	English
QRB3485	Russian

CONTENTS OF CD-ROM (Operation Manual), QPJ3030

Part No.	Language
* QRB3479	English
* QRB3480	French
* QRB3481	Italian
* QRB3482	Spanish(Espanol)
* QRB3483	German
* QRB3484	Dutch
* QRB3485	Russian
* QRB3486	Swedish
* QRB3487	Norwegian
* QRB3488	Finnish
* QRB3489	Danish
* QRB3490	Portuguese
* QRB3491	Greek
* QRB3492	Turkish

All operation manuals are supplied in PDF files by the CD-ROM.

Regarding the availability of paper manual, contact Pioneer Service representative in your region.

9.2 EXTERIOR (1)

1

2

3

4

A

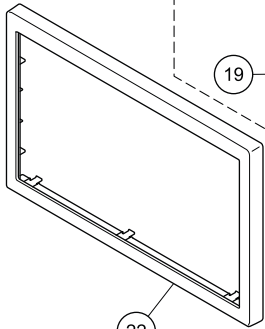
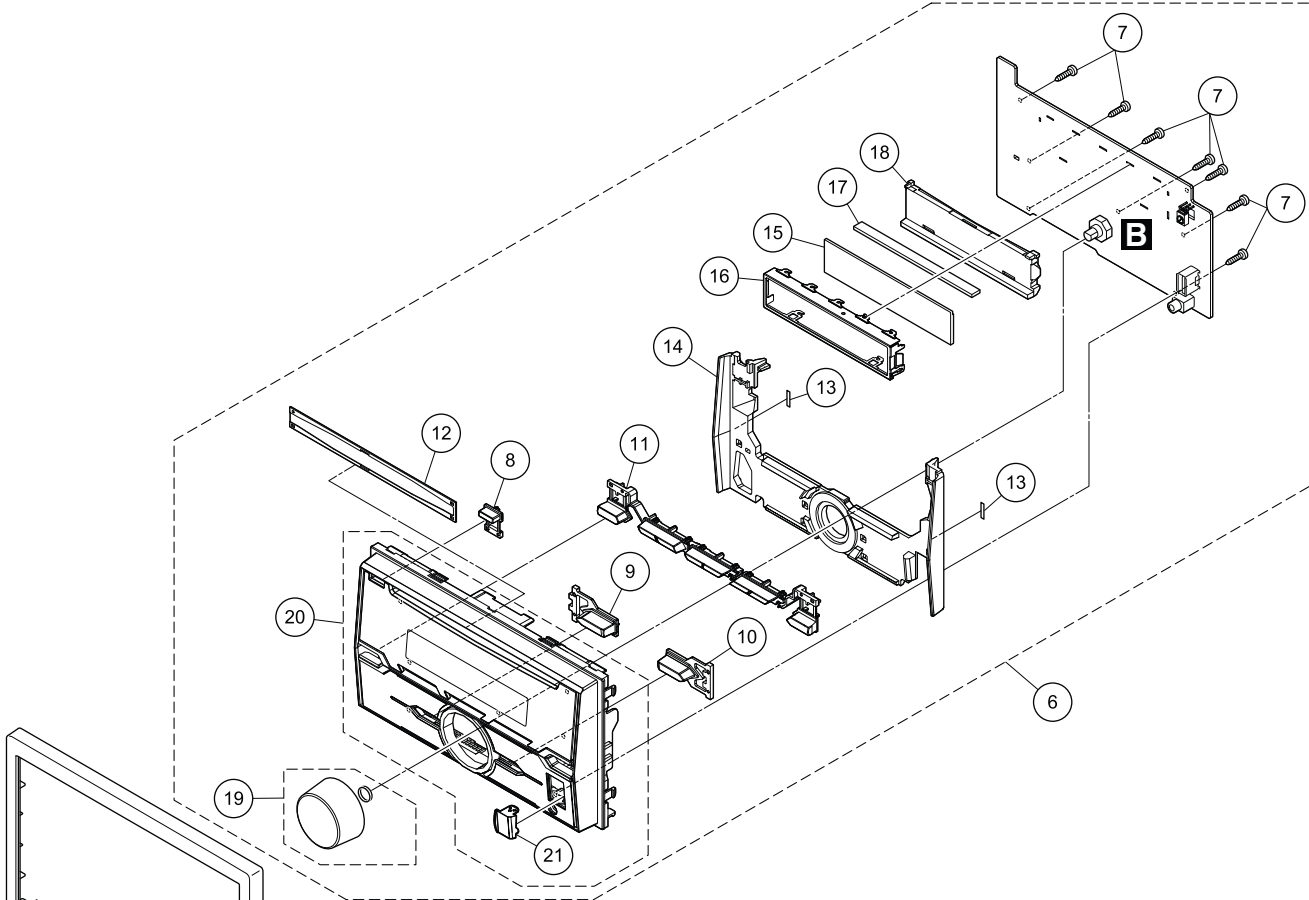
B

C

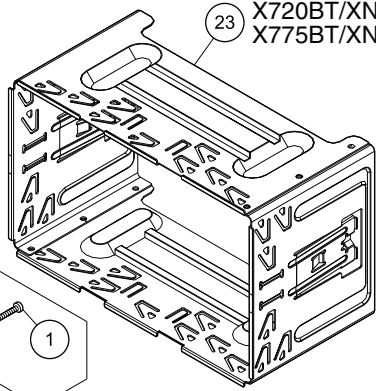
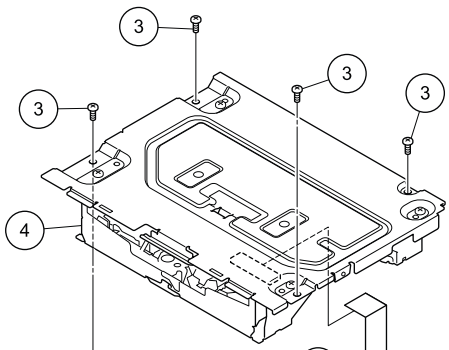
D

E

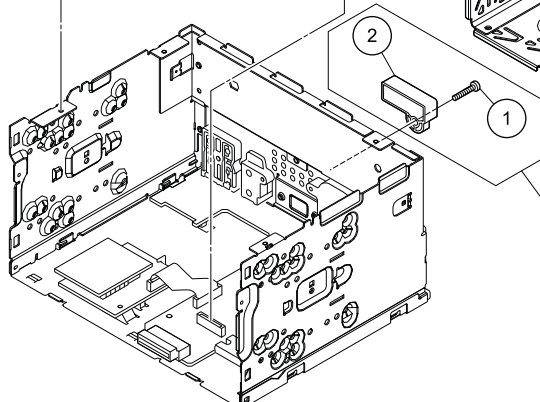
F



X720BT/XNEW5
X775BT/XNES



X720BT/XNEW5
X775BT/XNES



X721BT/XNUC

1

2

3

4

(1) EXTERIOR (1) SECTION PARTS LIST

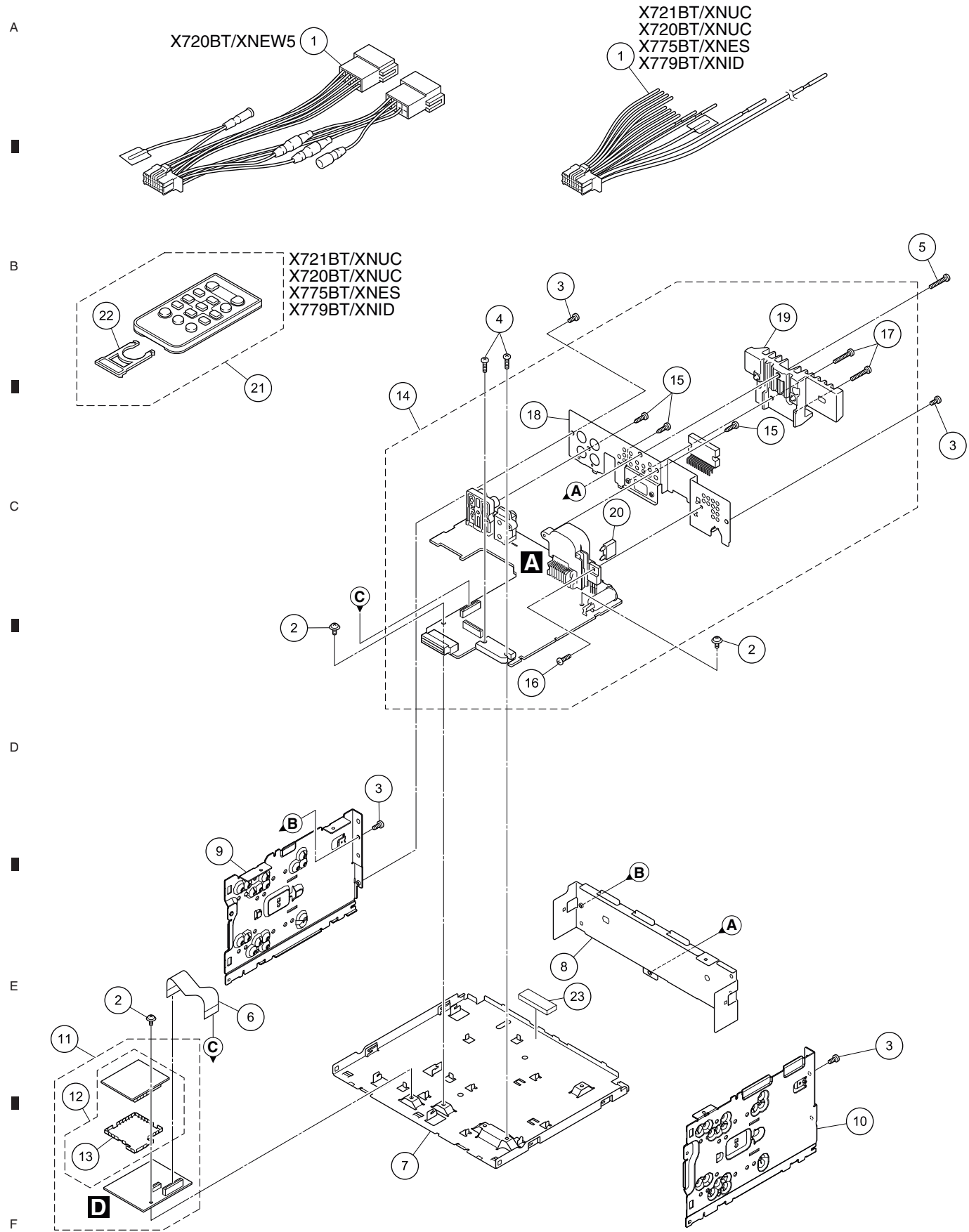
<u>Mark No.</u>	<u>Description</u>	<u>Part No.</u>	<u>Mark No.</u>	<u>Description</u>	<u>Part No.</u>
1	Screw	See Contrast table (2)	13	Sheet	QNM3129
2	Holder	See Contrast table (2)	14	Lighting Conductor	QNV3104
3	Screw	BSZ26P060FTC	15	Segment LCD (V1801)	CAW2041
4	CD Mechanism Module (S11.6 STD-FH)	CXK5806			
5	FFC	QDE3029	16	Holder	QNC3088
6	Grille Assy	See Contrast table (2)	17	Rubber Connector	QNV3079
7	Screw	BPZ20P080FTC	18	Lighting Conductor	QNV3093
8	Button (EJECT)	QAC3187	19	Knob Unit	QXA4278
9	Button (<)	QAC3191	20	Grille Unit	See Contrast table (2)
10	Button (>)	QAC3196	21	Door	QAT3016
11	Button (PHONE, 1-6, DISP)	See Contrast table (2)	22	Panel	See Contrast table (2)
12	Cover	QNM3029	23	Holder	See Contrast table (2)

(2) CONTRAST TABLE

FH-X721BT/XNUC, FH-X720BT/XNUC, FH-X720BT/XNEW5, FH-X775BT/XNES and FH-X779BT/XNID are constructed the same except for the following:

Mark	No.	Description	FH-X721BT /XNUC	FH-X720BT /XNUC	FH-X720BT /XNEW5	FH-X775BT /XNES	FH-X779BT /XNID
	1	Screw	BSZ30P160FTC	Not used	Not used	Not used	Not used
	2	Holder	CNV7619	Not used	Not used	Not used	Not used
	6	Grille Assy	QXA4296	QXA4294	QXA4292	QXA4293	QXA4295
	11	Button (PHONE, 1-6, DISP)	QAC3201	QAC3201	QAC3201	QAC3202	QAC3202
	20	Grille Unit	QXA4287	QXA4285	QXA4279	QXA4284	QXA4286
	22	Panel	Not used	Not used	QNS3830	QNS3830	Not used
	23	Holder	Not used	Not used	CND7102	CND7102	Not used

9.3 EXTERIOR (2)



(1) EXTERIOR (2) SECTION PARTS LIST

<u>Mark No.</u>	<u>Description</u>	<u>Part No.</u>	<u>Mark No.</u>	<u>Description</u>	<u>Part No.</u>
1	Cord Assy	See Contrast table (2)	13	Shield Case	YNC5123
2	Screw	ASZ26P050FTC	14	Tuner Amp Unit	See Contrast table (2)
3	Screw	BSZ26P060FTC	15	Screw	BPZ26P080FTC
4	Screw	BSZ26P080FTC			
5	Screw	BSZ26P120FTC	16	Screw	BSZ26P060FTC
			17	Screw	BSZ26P120FTC
6	FFC	QDE3028	18	Holder	QNC3053
7	Case	QNB3022	19	Heat Sink	See Contrast table (2)
8	Holder	QNC3057	⚠ 20	Fuse (10 A)	YEK5001
9	Bracket	QNC3093			
10	Bracket	QNC3094	21	Card Remote Control Unit	See Contrast table (2)
			22	Cover	See Contrast table (2)
11	BT Unit	QWM3995	23	Sheet	See Contrast table (2)
12	BT Module	YWX5052			

(2) CONTRAST TABLE

FH-X721BT/XNUC, FH-X720BT/XNUC, FH-X720BT/XNEW5, FH-X775BT/XNES and FH-X779BT/XNID are constructed the same except for the following:

Mark	No.	Description	FH-X721BT/ XNUC	FH-X720BT /XNUC	FH-X720BT /XNEW5	FH-X775BT /XNES	FH-X779BT /XNID
	1	Cord Assy	CDP1484	CDP1484	QDP3072	CDP1484	CDP1484
	14	Tuner Amp Unit	QWM3914	QWM3913	QWM3912	QWM3915	QWM3916
	19	Heat Sink	QNR3010	QNR3010	QNR3010	QNR3002	QNR3002
	21	Card Remote Control Unit	QXE1044	QXE1044	Not used	QXE1044	QXE1044
	22	Cover	CNS7068	CNS7068	Not used	CNS7068	CNS7068
	23	Sheet	QNM3130	QNM3130	QNM3130	Not used	Not used

9.4 CD MECHANISM MODULE

A

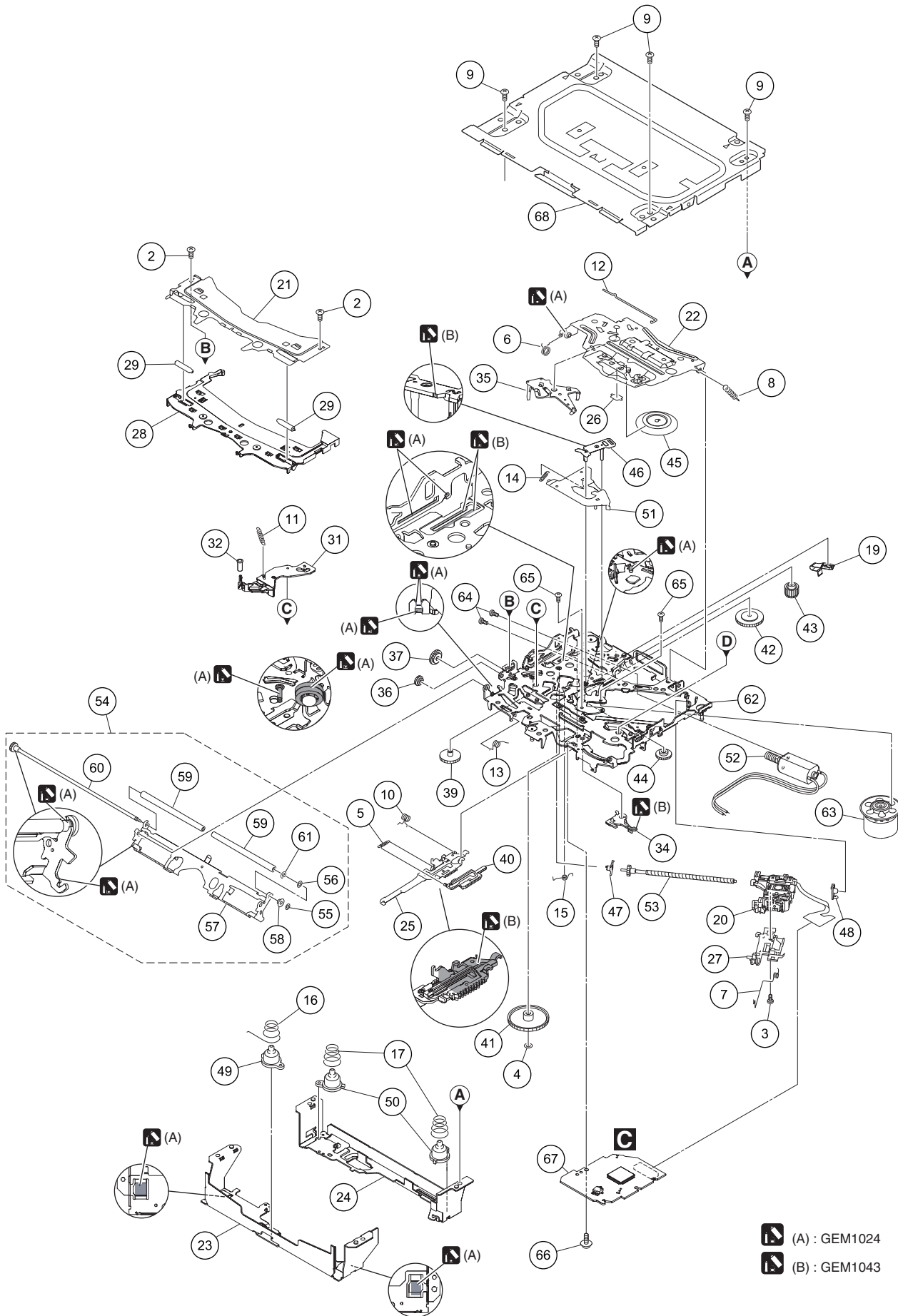
B

C

D

E

F



(A) : GEM1024
 (B) : GEM1043

CD MECHANISM MODULE SECTION PARTS LIST

<u>Mark No.</u>	<u>Description</u>	<u>Part No.</u>	<u>Mark No.</u>	<u>Description</u>	<u>Part No.</u>
1		50	Damper	CNW1198
2	Screw	BSZ20P040FTC	51	Arm	CNW1726
3	Screw(M2 x 4)	CBA1835	52	Motor Unit(M2)(LOAD/CRG)	CXC4026
4	Washer	CBF1038	53	Screw Unit	CXC8894
5	Spring	CBH3010	54	Arm Assy	CXE6232
6	Spring	CBH2855	55	Washer	CBF1037
7	Spring	CBH2856	56	Washer	CBF1038
8	Spring	CBH2860	57	Arm	CND6242
9	Screw	BSZ26P060FTC	58	Collar	CNW2444
10	Spring	CBH3011	59	Roller	CNW2500
11	Coil Spring	CBH3095	60	Gear Unit	CXE6225
12	Spring	CBH3014	61	Washer	YE15FTC
13	Spring	CBH3015	62	Chassis Unit	CXE4528
14	Spring	CBH3016	63	Motor Unit(M1)(SPDL)	CXE2273
15	Spring	CBH3017	64	Screw	JFZ20P025FTC
16	Spring	CBH3086	65	Screw	JGZ17P022FTC
17	Spring	CBH3019	66	Screw	EBA1028
18		67	CD Core Unit (S11.6STD)	CWX4023
19	Leaf Spring	CBL1824	68	Case	CNB3762
20	PU Unit(P10.6)(Service)	CXX3556			
21	Bracket	CND4553			
22	Arm	CND6406			
23	Bracket	CND6127			
24	Bracket	CND5710			
25	Lever	CND6834			
26	Sheet	CNN3678			
27	Rack	CNV8342			
28	Guide	CNW3489			
29	Roller	CNW1172			
30				
31	Arm	CNW2241			
32	Roller	CNW1175			
33				
34	Arm	CNW1177			
35	Arm	CNW1178			
36	Gear	CNW1180			
37	Gear	CNW1181			
38				
39	Gear	CNW1183			
40	Rack	CNW1184			
41	Gear	CNW1185			
42	Gear	CNW1186			
43	Gear	CNW1187			
44	Gear	CNW2287			
45	Clamper	CNW1190			
46	Arm	CNW1192			
47	Holder	CNW1193			
48	Holder	CNW1194			
49	Damper	CNW1197			

12. ELECTRICAL PARTS LIST

NOTE:

- Parts whose parts numbers are omitted are subject to being not supplied.
- The part numbers shown below indicate chip components.

Chip Resistor

RS1/○S○○○○J,RS1/○○S○○○○J

Chip Capacitor (except for CQS.....)

CKS....., CCS....., CSZS.....

- The \triangle mark found on some component parts indicates the importance of the safety factor of the part. Therefore, when replacing, be sure to use parts of identical designation.
- Meaning of the figures and others in the parentheses in the parts list.
Example) IC 301 is on the point (face A, 91 of x-axis, and 111 of y-axis) of the corresponding PC board.

IC 301 (A, 91, 111) IC NJM2068V

- The expression of the unit in this manual is shown by μ instead of m . Please do not make a mistake.

<u>Circuit Symbol and No.</u>	<u>Part No.</u>	<u>Circuit Symbol and No.</u>	<u>Part No.</u>
A:FH-X721BT/XNUC		IC 201 (A,100,105) E-VOL SYS LSI	PM9013A
B:FH-X720BT/XNUC		IC 301 (A,77,141) IC(A,B,C)	PAL013A
C:FH-X720BT/XNEW5		(A,77,141) IC(D,E)	PA2032A
D:FH-X775BT/XNES		IC 401 (A,144,85) IC	TEF6686HN
E:FH-X779BT/XNID		IC 451 (A,158,75) IC	MM3571A33P
Unit Number : QWM3914(A)		IC 531 (A,92,83) IC	337S3959
Unit Number : QWM3913(B)		IC 551 (A,18,110) IC	KBD9876EFJ
Unit Number : QWM3912(C)		IC 552 (A,105,23) IC	BD2232G-G
Unit Number : QWM3915(D)		IC 601 (A,109,76) IC	R5S726A0D216FP
Unit Number : QWM3916(E)		IC 671 (A,130,74) IC	S-80827CNMC-B8M
Unit Name : Tuner Amp Unit		IC 681 (A,113,93) Flash Memory IC(A,B) * PEB146A8	
Unit Number : (A,B,D,E)		(A,113,93) Flash Memory IC(C,D,E) * PEB144A8	
Unit Number : (C)		IC 801 (A,103,18) L-MOS And Gate	TC7SET08FUS1
Unit Name : Keyboard Unit		IC 911 (A,143,27) IC	BA49183-V12
Unit Number : CWX4023		Q 251 (A,12,129) Transistor	EMH53
Unit Name : CD Core Unit (S11.6STD)		Q 252 (A,22,130) Transistor	EMH53
Unit Number : QWM3995		Q 301 (A,85,126) Transistor	EMD52
Unit Name : BT Unit		Q 601 (A,91,94) Transistor(D,E)	RN4982
		Q 531 (A,92,92) Transistor	LSAR523UB
		Q 751 (A,140,138) Transistor	KTD2092
		Q 752 (A,139,132) Transistor	EMD52
		Q 871 (A,142,58) Transistor	2SAR502UB
		Q 872 (A,142,66) Transistor	LTC143EUB
		Q 941 (A,95,121) Transistor	LSCR523UB
		Q 1011 (A,129,105) Transistor	LTC014EEB
		D 301 (A,103,124) Diode(A,B,C)	CRG03
		D 302 (A,100,124) Diode	CRG03
		D 551 (A,21,123) Diode	CMS30I30A
		D 552 (A,20,103) Diode	RB056L-40
		D 601 (A,128,80) Diode(A,B,C)	RB751SM-40
		D 602 (A,132,69) Diode(A,B,C)	RB751SM-40
		D 751 (A,135,134) Diode	DZ2J082M0
		D 802 (A,91,16) Diode	DZ2S068C
		D 803 (A,125,14) Diode	DZ2S068C
		D 804 (A,118,12) Diode	DZ2S068C
		D 805 (A,119,12) Diode	DZ2S068C
		D 806 (A,114,12) Diode	DZ2S068C
		D 807 (A,112,12) Diode	DZ2S068C
		D 901 (A,139,126) Diode	D1F60-5053
		D 902 (A,136,126) Diode	D1F60-5053

MISCELLANEOUS

1

2

3

4

Circuit Symbol and No.**Part No.****Circuit Symbol and No.****Part No.**

D 911	(A,156,66) Diode	CRG03			
D 912	(A,159,66) Diode	CRG03	R 455	(A,161,88)	RS1/16SS0R0J
D 941	(A,92,124) Diode(A,B,D,E)	DZ2J068M0	R 531	(A,90,89)	RS1/16SS473J
	(A,92,124) Diode(C)	DZ2J075M0	R 532	(A,90,86)	RS1/16SS222J
			R 533	(A,91,86)	RS1/16SS222J
D 1011	(A,126,107) Diode	CRG03	R 534	(A,93,86)	RS1/16SS272J
L 202	(A,93,101) Inductor	CTF1793			
L 402	(A,137,91) Inductor(A,B,C)	LCTAW150J2520	R 535	(A,94,86)	RS1/16SS472J
	(A,137,91) Chip Coil(D,E)	LCTAW3R3J2520	R 536	(A,96,87)	RS1/16SS472J
L 403	(A,137,95) Chip Coil(D,E)	LCTAWR27J2520	R 537	(A,94,83)	RS1/16SS101J
L 404	(A,139,105) Inductor(A,B,C)	CTF1389	R 538	(A,94,82)	RS1/16SS101J
L 406	(A,143,77) Inductor(A,B,C)	CTF1786	R 551	(A,24,110)	RS1/16SS682J
L 408	(A,148,103) Inductor	LCMAR27J1608	R 552	(A,29,111)	RS1/16SS0R0J
L 410	(A,139,107) Inductor(D,E)	ATL7033	R 553	(A,26,111)	RS1/16SS1803D
L 551	(A,29,105) Inductor	CTH1584	R 554	(A,26,109)	RS1/16SS4302D
L 801	(A,113,16) Inductor	CTF1713	R 555	(A,38,123)	RS1/10SR471J
L 901	(A,111,140) Choke Coil 600 uH	CTH1432	R 601	(A,93,68)	RS1/16SS473J
T 401	(A,145,96) Variable Coil	CTC1215			
			R 602	(A,120,68)	RS1/16SS102J
X 401	(A,153,85) Resonator 9.216 MHz	CSS1864	R 603	(A,108,61)	RS1/16SS473J
X 601	(A,125,74) Resonator 12.0 MHz	CSS1847	R 609	(A,121,63)	RS1/16SS473J
X 603	(A,122,91) Resonator 16.93 MHz	CSS1794	R 610	(A,121,65)	RS1/16SS473J
⚠ P251	(A,4,129) Fuse 3.0 A	CEK1386	R 611	(A,122,68)	RS1/16SS473J
P 402	(A,154,108) Absorber	HSPC16701B02			
			R 613	(A,120,75)	RS1/16SS152J
VA801	(A,106,12) Varistor	MLV0402ES012V0010N	R 614	(A,121,77)	RS1/16SS473J
VA802	(A,100,12) Varistor	MLV0402ES012V0010N	R 615	(A,129,77)	RS1/16SS473J
CN701	(A,112,31) Connector	VKN1192	R 616	(A,125,67)	RS1/16SS473J
CN801	(A,108,3) Connector	CKS6452	R 617	(A,130,80)	RS1/16SS103J
CN971	(A,92,48) Connector	VKN1192	R 618	(A,124,81) (A,C,D,E)	RS1/16SS473J
				(A,124,81) (B)	RS1/16SS103J
JA251	(A,17,137) Jack	CKB1109			
JA401	(A,156,128) Jack	YKS5041	R 619	(A,125,81) (A,E)	RS1/16SS103J
JA892	(A,41,140) Jack	CKN1103		(A,125,81) (B,C)	RS1/16SS473J
JA901	(A,112,140) Plug	CKM1624		(A,125,81) (D)	RS1/16SS223J
⚠	Fuse (10 A)	YEK5001	R 622	(A,124,86)	RS1/16SS473J

RESISTORS

R 251	(A,16,130)	RS1/16SS821J	R 625	(A,112,89)	RS1/16SS221J
R 252	(A,11,127)	RS1/16SS821J	R 626	(A,111,88)	RS1/16SS221J
R 253	(A,14,130)	RS1/16SS223J	R 627	(A,110,87)	RS1/16SS221J
R 254	(A,11,129)	RS1/16SS223J	R 628	(A,110,89)	RS1/16SS221J
R 255	(A,28,131)	RS1/16SS821J	R 629	(A,107,90)	RS1/16SS221J
R 256	(A,18,130)	RS1/16SS821J	R 630	(A,108,88)	RS1/16SS221J
R 257	(A,26,130)	RS1/16SS223J	R 631	(A,106,91)	RS1/16SS473J
R 258	(A,20,130)	RS1/16SS223J	R 632	(A,104,90)	RS1/16SS473J
R 305	(A,88,126)	RS1/16SS103J	R 633	(A,105,89)	RS1/16SS101J
R 306	(A,88,128)	RS1/16SS221J	R 634	(A,101,87)	RS1/16SS102J
R 307	(A,87,127)	RS1/16SS223J	R 636	(A,98,90)	RS1/16SS473J
R 309	(A,88,124)	RS1/16SS103J	R 637	(A,99,89)	RS1/16SS473J
R 401	(A,145,91)	RS1/16SS0R0J	R 638	(A,102,91)	RS1/16SS473J
R 402	(A,143,91)	RS1/16SS0R0J	R 643	(A,98,81)	RS1/16SS104J
R 403	(A,135,91) (A,B,C)	RS1/16SS391J	R 644	(A,97,78)	RS1/16SS101J
	(A,135,91) (D,E)	RS1/16SS101J			
			R 645	(A,94,78)	RS1/16SS101J
R 404	(A,142,108)	RS1/16SS105J	R 646	(A,132,72) (A,B,C)	RS1/16SS103J
R 405	(A,147,108)	RS1/16SS105J		(A,132,72) (D,E)	RS1/16SS1002F
R 406	(A,146,80)	RS1/16SS101J	R 647	(A,97,76)	RS1/16SS101J
R 407	(A,147,80)	RS1/16SS101J	R 648	(A,94,75)	RS1/16SS102J
R 408	(A,149,81)	RS1/16SS103J	R 649	(A,94,74)	RS1/16SS102J
R 410	(A,148,81)	RS1/16SS103J	R 650	(A,94,73)	RS1/16SS102J
R 422	(A,144,77) (D,E)	RS1/16SS0R0J	R 651	(A,96,70)	RS1/16SS473J
R 437	(A,147,77)	RS1/16SS472J	R 652	(A,96,68)	RS1/16SS222J
R 438	(A,146,77)	RS1/16SS472J	R 653	(A,98,65)	RS1/16SS103J
R 452	(A,159,85)	RS1/16SS0R0J	R 655	(A,111,61)	RS1/16SS0R0J
R 453	(A,143,73) (A,B)	RS1/10SR0R0J			
			R 656	(A,113,63)	RS1/16SS0R0J

1

2

3

4

5		6		7		8	
<u>Circuit Symbol and No.</u>		<u>Part No.</u>		<u>Circuit Symbol and No.</u>		<u>Part No.</u>	
R 659	(A,122,60)	RS1/16SS153J		R 944	(A,97,123) (A,B,D,E)	RS1/4SA102J	
R 660	(A,122,59)	RS1/16SS153J			(A,97,123) (C)	RS1/4SA122J	
R 664	(A,132,61)	RS1/16SS103J		R 973	(A,88,61)	RS1/16SS222J	
R 667	(A,101,59)	RS1/16SS473J					
R 668	(A,101,58)	RS1/16SS473J		R 974	(A,96,54)	RS1/16SS101J	A
R 671	(A,128,68)	RS1/16SS104J		R 975	(A,96,53)	RS1/16SS101J	
R 681	(A,107,96)	RS1/16SS473J		R 976	(A,96,51)	RS1/16SS101J	
R 682	(A,109,90)	RS1/16SS473J		R 977	(A,90,73)	RS1/16SS0R0J	
R 683	(A,118,91)	RS1/16SS473J		R 978	(A,88,69)	RS1/16SS0R0J	
R 684	(A,107,92)	RS1/16SS473J					
R 685	(A,118,95)	RS1/16SS473J		R 1011	(A,130,107)	RS1/16SS103J	
R 687	(A,126,95) (D,E)	RS1/10SR0R0J		R 1013	(A,126,114)	RS1/4SA102J	
R 701	(A,107,37)	RS1/16SS473J		<u>CAPACITORS</u>			
R 702	(A,112,37)	RS1/16SS104J		C 201	(A,99,116)	CKSRYB105K10	
R 703	(A,116,27)	RAB4CQ472J		C 202	(A,103,115)	CKSRYB105K10	B
R 704	(A,109,39)	RS1/16SS104J		C 203	(A,91,115)	CKSRYB105K10	
R 706	(A,106,35)	RS1/16SS221J		C 204	(A,106,114)	CKSRYB105K10	
R 707	(A,108,37)	RS1/16SS221J		C 205	(A,92,115)	CKSRYB105K10	
R 708	(A,109,37)	RS1/16SS101J					
R 709	(A,110,37)	RS1/16SS221J		C 206	(A,106,111)	CKSRYB105K10	
R 710	(A,111,37)	RS1/16SS101J		C 207	(A,93,107)	CKSSYB104K10	
R 711	(A,112,38)	RS1/16SS102J		C 208	(A,93,105)	CKSSYB104K10	
R 715	(A,115,35)	RS1/16SS151J		C 209	(A,92,103) 10 uF	CCG1192	
R 716	(A,116,35)	RS1/16SS151J		C 210	(A,94,105)	CCSSCH151J50	
R 717	(A,117,35)	RS1/16SS151J					
R 718	(A,121,35)	RS1/16SS221J		C 211	(A,108,106)	CCSSCH151J50	
R 719	(A,120,35)	RS1/16SS104J		C 212	(A,106,108) 10 uF	CCG1192	
R 752	(A,142,133)	RS1/4SA391J		C 213	(A,107,105)	CKSSYB104K10	C
R 753	(A,126,90)	RS1/16SS473J		C 214	(A,107,103)	CKSSYB104K10	
R 754	(A,126,91)	RS1/16SS103J		C 215	(A,107,101)	CKSSYB104K10	
R 801	(A,123,20)	RS1/10SR222J					
R 803	(A,119,17)	RS1/16SS223J		C 216	(A,91,100) 10 uF	CCG1192	
R 804	(A,117,17)	RS1/16SS223J		C 217	(A,93,99)	CKSSYB104K10	
R 805	(A,119,18)	RS1/10SR101J		C 218	(A,113,108)	XCEVW470M16	
R 806	(A,117,19)	RS1/10SR101J		C 219	(A,111,102) 10 uF	CCG1192	
R 807	(A,118,19)	RS1/10SR101J		C 220	(A,104,97) 10 uF	CCG1192	
R 808	(A,122,19)	RS1/10SR222J					
R 809	(A,114,20)	RS1/10SR220J		C 221	(A,94,103)	CKSSYB102K50	
R 810	(A,112,20)	RS1/10SR220J		C 223	(A,90,100) 1 uF	DCH1246	
R 813	(A,106,15)	RS1/10SR222J		C 224	(A,113,102)	CKSSYB104K10	
R 814	(A,100,18)	RS1/10SR222J		C 227	(A,90,108) (C)	CKSSYB102K50	D
R 815	(A,98,18)	RS1/16SS822J		C 229	(A,109,111) 1 uF	DCH1246	
R 816	(A,95,18)	RS1/10SR222J		C 236	(A,108,103)	CKSRYB105K10	
R 817	(A,93,18)	RS1/10SR222J					
R 851	(A,91,19)	RS1/16SS472J		C 251	(A,33,127) 10 uF	DCH1201	
R 871	(A,141,64)	RS1/10SR332J		C 252	(A,15,126) 10 uF	DCH1201	
R 872	(A,141,61)	RS1/16SS103J		C 253	(A,15,129)	CCSSCH101J50	
R 878	(A,122,25)	RS1/10SR473J		C 254	(A,10,129)	CCSSCH101J50	
R 891	(A,56,136) (A,B,C)	RS1/16SS102J		C 255	(A,33,131) 10 uF	DCH1201	
	(A,56,136) (D,E)	RS1/16SS1001F					
R 892	(A,56,135)	RS1/16SS102J		C 256	(A,29,129) 10 uF	DCH1201	
R 900	(A,53,135) (D,E)	RS1/16SS471J		C 257	(A,25,130)	CCSSCH101J50	
R 911	(A,144,39)	RS1/10SR1R0J		C 258	(A,19,130)	CCSSCH101J50	
R 912	(A,139,40)	RS1/10SR1R0J		C 260	(A,32,136)	CKSSYB104K10	E
R 913	(A,152,40)	RS1/16SS223J		C 261	(A,4,132)	CKSSYB103K16	
R 914	(A,129,39)	RS1/16SS223J					
R 915	(A,138,120)	RS1/10SR0R0J		C 301	(A,68,128)	CKSRYB474K10	
R 941	(A,92,121)	RS1/16SS223J		C 303	(A,78,128)	CKSRYB474K10	
R 942	(A,93,121)	RS1/16SS473J		C 305	(A,72,129)	CKSRYB474K10	
R 943	(A,93,124) (A,B,D,E)	RS1/16SS682J		C 307	(A,76,128)	CKSRYB474K10	
	(A,93,124) (C)	RS1/16SS333J		C 313	(A,82,129) 2.2 uF	CCG1205	
				C 314	(A,134,125)	CKSRYB104K16	
				C 318	(A,63,129) 10 uF/16 V	DCH1263	
				C 322	(A,104,125)	CKSRYB104K16	
				C 327	(A,86,128)	CKSRYB105K10	F
				C 328	(A,51,129) 2.2 uF	CCG1205	
				C 407	(A,151,91)	CKSSYB104K10	

1

Circuit Symbol and No.

C 409 (A,147,90)
 C 410 (A,146,103)
 C 411 (A,144,103)
 C 414 (A,138,88)
 C 416 (A,139,97) (D,E)

C 417 (A,138,97) (D,E)
 C 418 (A,139,102) (D,E)
 C 419 (A,139,103) (D,E)
 C 420 (A,145,107)
 C 422 (A,139,85)
 C 425 (A,148,88)
 C 428 (A,141,89)
 C 430 (A,147,91)

C 434 (A,152,103)
 C 442 (A,143,79) 10 uF
 C 452 (A,154,78)
 C 453 (A,158,71)
 C 455 (A,143,74) (A,B)

C 456 (A,143,75) 1 uF
 C 458 (A,138,80)
 C 459 (A,149,105)
 C 463 (A,140,74) (D,E)
 C 531 (A,90,88)
 C 532 (A,92,87)

C 551 (A,11,120)
 C 552 (A,11,106)
 C 553 (A,13,109)
 C 555 (A,23,111)
 C 556 (A,30,119)

C 557 (A,31,115)
 C 560 (A,107,20)
 C 561 (A,101,23)
 C 564 (A,31,113) 4.7 uF
 C 565 (A,13,105) 4.7 uF

C 601 (A,103,64)
 C 602 (A,107,64)
 C 603 (A,110,64)
 C 604 (A,111,64)
 C 605 (A,115,64)

C 606 (A,120,70)
 C 607 (A,125,72)
 C 608 (A,125,77)
 C 609 (A,120,72) (A,B,C)
 (A,120,72) (D,E)
 C 610 (A,120,74) (A,B,C)
 (A,120,74) (D,E)

C 611 (A,120,76)
 C 612 (A,121,81)
 C 613 (A,122,81)
 C 618 (A,122,88)
 C 619 (A,121,93)

C 620 (A,112,87)
 C 621 (A,107,87)
 C 622 (A,104,92)
 C 623 (A,105,87)
 C 624 (A,104,87)

C 625 (A,102,89)
 C 626 (A,98,79)
 C 627 (A,95,80)
 C 628 (A,94,79)
 C 629 (A,98,74)

2

Part No.

CKSSYB224K6R3
 CCSSCH220J50
 CCSSCH331J50
 CKSSYB102K50
 CCSSCH120J50
 CCSSCK1R0C50
 CCSSCK2R0C50
 CCSSCK1R0C50
 CCSSCH471J50
 CKSSYB152K50
 CCSSCH390J50
 CKSSYB104K10
 CKSSYB102K50

CCSSCH100D50
 DCH1201
 CKSRYB104K16
 CKSRYB105K10
 CKSSYB102K50

DCH1246
 CKSSYB102K50
 CKSRYB104K16
 CKSSYB104K10
 CKSSYB104K10
 CKSSYB104K10

XGEVW221M16
 CKSRYB105K16
 CKSSYB103K16
 CKSSYB682K25
 CEVQW221M6R3

CKSRYB105K10
 CKSRYB105K10
 CKSRYB105K10
 CCG1201
 CCG1222

CKSSYB104K10
 CKSSYB104K10
 CKSSYB104K10
 CKSSYB104K10
 CKSSYB104K10

CKSSYB104K10
 CCSSCH120J50
 CCSSCH120J50
 CKSSYB104K10
 CCSSCH101J50
 CKSSYB104K10
 CKSSYB102K50

CKSSYB102K50
 CKSSYB104K10
 CKSSYB104K10
 CCSSCH120J50
 CCSSCH120J50

CKSSYB104K10
 CKSSYB104K10
 CCSSCH220J50
 CKSSYB104K10
 CKSSYB104K10

CKSSYB104K10
 CKSSYB104K10
 CCSSCH220J50
 CCSSCH220J50
 CKSSYB104K10

3

Circuit Symbol and No.

C 630 (A,97,72)
 C 631 (A,95,76)
 C 635 (A,111,98) (C,D,E)
 C 641 (A,95,88)
 C 672 (A,122,72) 1 uF
 C 683 (A,119,93)

C 685 (A,118,98) (D,E)
 C 687 (A,121,96)
 C 701 (A,110,39)
 C 704 (A,118,38)
 C 705 (A,117,38)
 C 706 (A,115,37)

C 710 (A,122,47)
 C 752 (A,138,135)
 C 753 (A,146,129) 10 uF
 C 754 (A,136,112) (C,D,E)
 C 801 (A,122,5)
 C 806 (A,123,7)

C 807 (A,120,13)
 C 808 (A,107,18)
 C 809 (A,95,15)
 C 810 (A,95,12)
 C 811 (A,102,20)

C 872 (A,122,26)
 C 873 (A,122,23)
 C 891 (A,51,137)
 C 892 (A,32,138)
 C 893 (A,32,134)

C 894 (A,51,133)
 C 901 (A,131,123)
 C 911 (A,137,116)
 C 912 (A,150,39)
 C 913 (A,129,42)

C 914 (A,155,55)
 C 915 (A,131,41)
 C 916 (A,146,42) 10 uF
 C 917 (A,144,45)
 C 919 (A,149,40) 10 uF

C 921 (A,133,41) 10 uF
 C 923 (A,158,40) 10 uF
 C 926 (A,138,43) 10 uF
 C 927 (A,138,41)
 C 941 (A,95,124)

C 973 (A,96,52)
 C 1011 (A,132,108)
 C 1013 (A,136,76)

4

Part No.

CKSSYB103K16
 CCSSCH220J50
 CKSSYB104K10
 CCSSCH330J50
 DCH1246
 CCSSCH3R0C50

CKSRYB105K10
 CKSRYB105K10
 CKSSYB103K16
 CCSSCH100D50
 CCSSCH100D50
 CCSSCH100D50

CKSRYB104K16
 CKSSYB104K10
 DCH1201
 CKSSYB102K50
 CCSSCH102J50
 CKSRYB104K16

CKSRYB105K10
 CKSRYB104K16
 CCSSCH221J50
 CCSSCH221J50
 CKSSYB104K10

CKSRYB105K16
 CKSRYB105K16
 CKSRYB104K16
 CKSRYB104K16
 CKSRYB102K50

CKSRYB102K50
 CCH2040
 CKSRYB104K16
 CKSSYB102K50
 CKSSYB102K50

XCEAT102M16
 CKSRYB104K16
 DCH1201
 CKSSYB102K50
 DCH1201

DCH1201
 DCH1201
 DCH1201
 CKSSYB102K50
 CKSRYB104K16

CCSSCH470J50
 CKSRYB105K16
 CKSRYB104K16

B**Unit Number : (A,B,D,E)****Unit Number : (C)****Unit Name : Keyboard Unit****MISCELLANEOUS**

IC 1801 (B,75,54) IC PDC205A
 IC 1941 (A,149,63) IR RC REC MODULE SIR8440B5
 Q 1841 (B,112,37) Transistor LSCR523UB
 Q 1842 (B,100,52) Transistor LSCR523UB
 Q 1843 (B,107,44) Transistor LSCR523UB

5		6	
<u>Circuit Symbol and No.</u>		<u>Part No.</u>	
Q 1844	(B,64,19) Transistor	LSCR523UB	
Q 1845	(B,42,46) Transistor	LSCR523UB	
Q 1846	(B,64,29) Transistor	LSCR523UB	
Q 1847	(B,132,41) Transistor	LSCR523UB	
Q 1848	(B,127,56) Transistor	LSCR523UB	
Q 1849	(B,126,47) Transistor	LSCR523UB	
D 1841	(A,157,49) LED	SMLVN6RGB2UK(B)	
D 1842	(A,11,49) LED	SMLVN6RGB2UK(B)	
D 1843	(A,121,20) LED	SMLVN6RGB2UK(B)	
D 1844	(A,134,61) LED	SMLVN6RGB2UK(B)	
D 1845	(A,33,61) LED	SMLVN6RGB2UK(B)	
D 1846	(A,47,20) LED	SMLVN6RGB2UK(B)	
X 1801	(B,62,50) Ceramic Resonator 5.00 MHz	CSS1547	
S 1821	(A,61,20) Push Switch	CSG1155	
S 1822	(A,12,90) Push Switch	CSG1155	
S 1823	(A,106,20) Push Switch	CSG1155	
S 1824	(A,61,8) Push Switch	CSG1155	
S 1825	(A,11,35) Push Switch	CSG1155	
S 1826	(A,107,32) Push Switch	CSG1155	
S 1827	(A,107,8) Push Switch	CSG1155	
S 1828	(A,156,35) Push Switch	CSG1155	
S 1829	(A,132,43) Push Switch	CSG1155	
S 1830	(A,96,43) Push Switch	CSG1155	
S 1831	(A,107,43) Push Switch	CSG1155	
S 1832	(A,60,43) Push Switch	CSG1155	
S 1833	(A,71,43) Push Switch	CSG1155	
S 1834	(A,35,43) Push Switch	CSG1155	
S 1835	(A,61,32) Push Switch	CSG1155	
S 1836	(A,84,20) Encoder(MULTI-CONTROL)	CSD1193	
V 1801	(A,39,71) Segment LCD	CAW2041	
CN1941	(B,108,8) Connector	CKS6451	
JA 1901	(A,151,20) Connector	CKS6443	
JA 1921	(A,148,7) Jack(A,B,D,E)	CKN1108	
	(A,148,7) Jack(C)	CKN1090	

RESISTORS

R 1801	(B,63,40)	RS1/10SR103J
R 1821	(B,71,29)	RS1/10SR273J
R 1841	(B,107,35)	RS1/10SR222J
R 1842	(B,107,36)	RS1/10SR102J
R 1843	(B,95,51)	RS1/10SR222J
R 1844	(B,95,52)	RS1/10SR102J
R 1845	(B,101,45)	RS1/10SR222J
R 1846	(B,101,47)	RS1/10SR102J
R 1847	(B,107,38)	RS1/10SR470J
R 1849	(B,95,53)	RS1/10SR470J
R 1851	(B,101,48)	RS1/10SR470J
R 1853	(B,59,19)	RS1/10SR222J
R 1854	(B,59,16)	RS1/10SR102J
R 1855	(B,43,39)	RS1/10SR222J
R 1856	(B,41,39)	RS1/10SR102J
R 1857	(B,59,29)	RS1/10SR222J
R 1858	(B,59,27)	RS1/10SR102J
R 1859	(B,59,21)	RS1/10SR470J
R 1861	(B,39,39)	RS1/10SR470J
R 1863	(B,59,32)	RS1/10SR470J
R 1865	(B,127,36)	RS1/10SR222J
R 1866	(B,127,39)	RS1/10SR102J
R 1867	(B,122,53)	RS1/10SR222J
R 1868	(B,126,53)	RS1/10SR102J

7		8	
<u>Circuit Symbol and No.</u>		<u>Part No.</u>	
R 1869	(B,124,44)	RS1/10SR222J	
R 1870	(B,124,42)	RS1/10SR102J	
R 1871	(B,127,40)	RS1/10SR470J	
R 1873	(B,122,57)	RS1/10SR470J	
R 1875	(B,122,48)	RS1/10SR470J	
R 1877	(B,27,63)	RS1/10SR101J	
R 1878	(B,29,63)	RS1/10SR221J	
R 1879	(B,31,63)	RS1/10SR101J	
R 1880	(B,13,41)	RS1/10SR101J	
R 1881	(B,13,43)	RS1/10SR221J	
R 1882	(B,13,46)	RS1/10SR101J	
R 1883	(B,43,26)	RS1/10SR101J	
R 1884	(B,41,26)	RS1/10SR221J	
R 1885	(B,39,26)	RS1/10SR101J	
R 1921	(B,127,18)	RS1/10SR0R0J	
R 1922	(B,120,17)	RS1/10SR0R0J	
R 1923	(B,126,8)	RS1/10SR0R0J	
R 1941	(B,72,8)	RS1/10SR222J	
R 1942	(B,67,12)	RS1/10SR222J	
R 1952	(B,156,58)	RS1/10SR473J	
R 1953	(B,157,39)	RS1/10SR101J	

CAPACITORS

C 1801	(B,59,44)	CKSRYB105K10
C 1802	(B,65,44)	CKSRYB104K16
C 1803	(B,78,42)	CKSRYB104K16
C 1804	(B,82,42)	CKSRYB104K16
C 1805	(B,82,44)	CKSRYB104K16
C 1901	(B,135,17)	CKSRYB104K16
C 1902	(B,130,17)	CKSRYB104K16
C 1951	(B,158,49) 10 uF	CCG1192



Unit Number : CWX4023
Unit Name : CD Core Unit (S11.6STD)

MISCELLANEOUS

IC 201	(B,23,37) IC	PE5791A
IC 301	(A,37,11) Driver IC	BD8223EFV
Q 101	(B,11,53) Transistor	2SA1577
Q 102	(B,15,54) Chip Digital Transistor	LTA123JUB
X 201	(B,25,49) Ceramic Resonator 16.934 MHz	CSS1603
S 901	(A,42,53) Spring Switch(HOME)	CSN1080
S 903	(B,21,12) Spring Switch(DSCSNS)	CSN1081
CN101	(A,16,58) Connector	CKS4808
CN701	(A,25,29) Connector	CKS6146

RESISTORS

R 101	(B,6,57)	RS1/10SR2R4J
R 102	(B,8,57)	RS1/10SR2R4J
R 103	(B,9,57)	RS1/10SR2R7J
R 108	(B,18,55)	RS1/16SS105J
R 109	(B,12,50)	RS1/16SS222J
R 214	(B,18,28)	RS1/16SS103J
R 215	(B,17,28)	RS1/16SS393J
R 216	(B,12,35)	RS1/16SS122J
R 217	(B,10,32)	RS1/16SS562J
R 218	(B,10,35)	RS1/16SS472J

	1	2
	<u>Circuit Symbol and No.</u>	<u>Part No.</u>
	R 229 (B,12,34)	RS1/16SS471J
	R 232 (A,31,54)	RS1/16SS0R0J
A	R 237 (B,33,45)	RS1/16SS221J
	R 240 (B,34,40)	RS1/16SS473J
	R 245 (A,34,46)	RS1/16SS104J
	R 254 (A,37,56)	RS1/16SS104J
	R 260 (B,30,27)	RS1/16SS103J
	R 264 (A,22,9)	RS1/16SS102J
	R 281 (B,33,38)	RS1/16SS560J
	R 282 (B,33,39)	RS1/16SS560J
	R 291 (B,33,34)	RS1/16SS560J
	R 294 (B,27,48)	RS1/16SS471J
	R 303 (A,27,11)	RS1/16SS123J
B	R 304 (A,28,11)	RS1/16SS123J
	R 305 (A,26,9)	RS1/16SS102J
	R 306 (A,26,11)	RS1/16SS472J
	R 307 (A,25,9)	RS1/16SS102J
	R 308 (A,25,11)	RS1/16SS472J
	R 309 (A,35,6)	RS1/16SS473J
	R 310 (B,30,9)	RS1/16SS472J
	R 311 (B,30,10)	RS1/16SS472J
	R 312 (B,30,11)	RS1/16SS472J
	R 313 (B,30,12)	RS1/16SS472J
	R 701 (A,21,38)	RS1/16SS101J
C	R 702 (A,23,38)	RS1/16SS101J
	R 706 (A,32,42)	RS1/16SS221J
	<u>CAPACITORS</u>	
	C 104 (B,12,57)	CKSQYB475K6R3
	C 203 (B,22,47)	CKSSYB104K10
	C 209 (B,28,47)	CKSRYB104K16
	C 210 (B,33,43)	CKSSYB104K10
	C 211 (B,33,41)	CKSSYB104K10
D	C 212 (B,22,28)	CKSSYB104K10
	C 213 (B,18,26)	CKSSYB332K50
	C 214 (B,17,26)	CKSSYB473K16
	C 215 (B,19,28)	CKSSYB104K10
	C 216 (B,12,33)	CKSSYB182K50
	C 217 (B,10,34)	CCSSCH560J50
	C 218 (B,10,36)	CCSSCH4R0C50
	C 219 (B,14,34)	CKSSYB104K10
	C 220 (A,18,38)	CKSSYB104K10
	C 221 (B,14,32)	CKSSYB104K10
E	C 222 (B,13,37)	CKSSYB104K10
	C 223 (B,12,42)	CCSSCH680J50
	C 224 (B,13,45)	CCSSCH470J50
	C 225 (B,13,46)	CKSSYB103K16
	C 228 (B,10,33)	CCSSCH270J50
	C 229 (B,9,40)	CKSSYB104K10
	C 233 (B,32,46)	CKSSYB103K16
	C 236 (B,8,40)	CKSSYB104K10
	C 238 (A,25,44)	CKSRYB104K16
	C 299 (A,26,41)	CKSSYB104K10
F	C 302 (B,28,12)	CKSSYB102K50
	C 303 (B,29,12)	CKSSYB102K50
	C 304 (B,27,12)	CKSSYB223K16
	C 305 (B,26,12)	CKSSYB104K10
	C 306 (A,31,7)	CKSSYB104K10

3	4
<u>Circuit Symbol and No.</u>	<u>Part No.</u>
C 307 (A,41,19)	CKSRYB105K10
C 308 (A,31,15)	CKSRYB105K10
C 710 (A,34,42)	CKSSYB102K50

D
Unit Number : QWM3995
Unit Name : BT Unit

MISCELLANEOUS

IC 21 (A,8,47) IC	MM3479A18P
IC 22 (A,20,46) IC	MM3411A33N
CN21 (A,34,26) Connector	CKS6346
CN23 (A,41,43) Connector	CKS3857
BT Module	YWX5052

RESISTORS

R 28 (A,42,30)	RS1/16SS222J
R 29 (A,29,40)	RS1/16SS102J
R 30 (A,29,37)	RS1/16SS102J
R 38 (A,42,16)	RS1/16SS0R0J
R 39 (A,41,22)	RS1/16SS221J
R 40 (A,39,22)	RS1/16SS221J
R 41 (A,38,22)	RS1/16SS221J

CAPACITORS

C 23 (A,24,39)	XCEVW221M4
C 24 (A,6,43)	CKSRYB105K10
C 26 (A,27,47) 4.7 uF	CCG1212
C 29 (A,17,45)	CKSRYB105K10
C 33 (A,9,53) 4.7 uF	CCG1212
C 34 (A,42,29)	CKSRYB105K10
C 36 (A,31,40)	CKSRYB104K16
C 38 (A,15,45) 4.7 uF	CCG1212
C 39 (A,6,41) 4.7 uF	CCG1212
C 40 (A,12,50)	CKSRYB104K16