

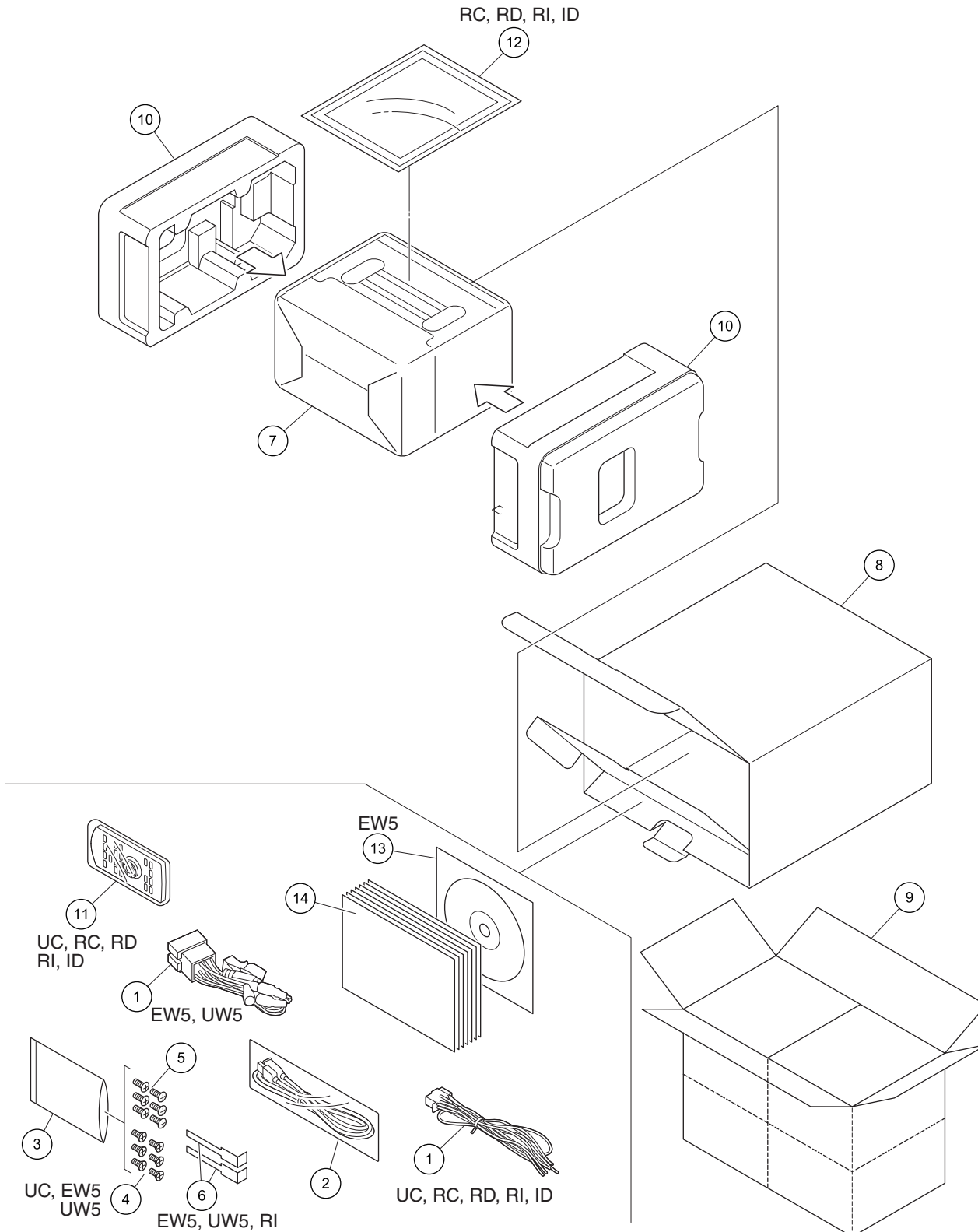


9. EXPLODED VIEWS AND PARTS LIST

- NOTES :**
- Parts marked by " * " are generally unavailable because they are not in our Master Spare Parts List.
 - The  mark found on some component parts indicates the importance of the safety factor of the part. Therefore, when replacing, be sure to use parts of identical designation.
 - Screw adjacent to  mark on the product are used for disassembly.
 - For the applying amount of lubricants or glue, follow the instructions in this manual.
(In the case of no amount instructions, apply as you think it appropriate.)

9.1 PACKING



(1) PACKING SECTION PARTS LIST

<u>Mark No.</u>	<u>Description</u>	<u>Part No.</u>	<u>Mark No.</u>	<u>Description</u>	<u>Part No.</u>
1	Cord Assy	See Contrast table (2)	11	Card Remote Control Unit	See Contrast table (2)
2	USB Extended Cable	CDP1585	12	Panel	See Contrast table (2)
3	Polyethylene Bag	CEG1160	13	IM CD-ROM	See Contrast table (2)
4	Screw	See Contrast table (2)	14-1	Owner's Manual	See Contrast table (2)
5	Screw	TRZ50P080FTC	* 14-2	Warranty Card	See Contrast table (2)
6	Handle	See Contrast table (2)	14-3	Installation Manual	See Contrast table (2)
7	Cover	See Contrast table (2)	14-4	Installation Manual	See Contrast table (2)
8	Unit Box	See Contrast table (2)	* 14-5	Caution Card	See Contrast table (2)
9	Contain Box	See Contrast table (2)	* 14-6	Caution Card	See Contrast table (2)
10	Protector	See Contrast table (2)	* 14-7	Service Network	See Contrast table (2)

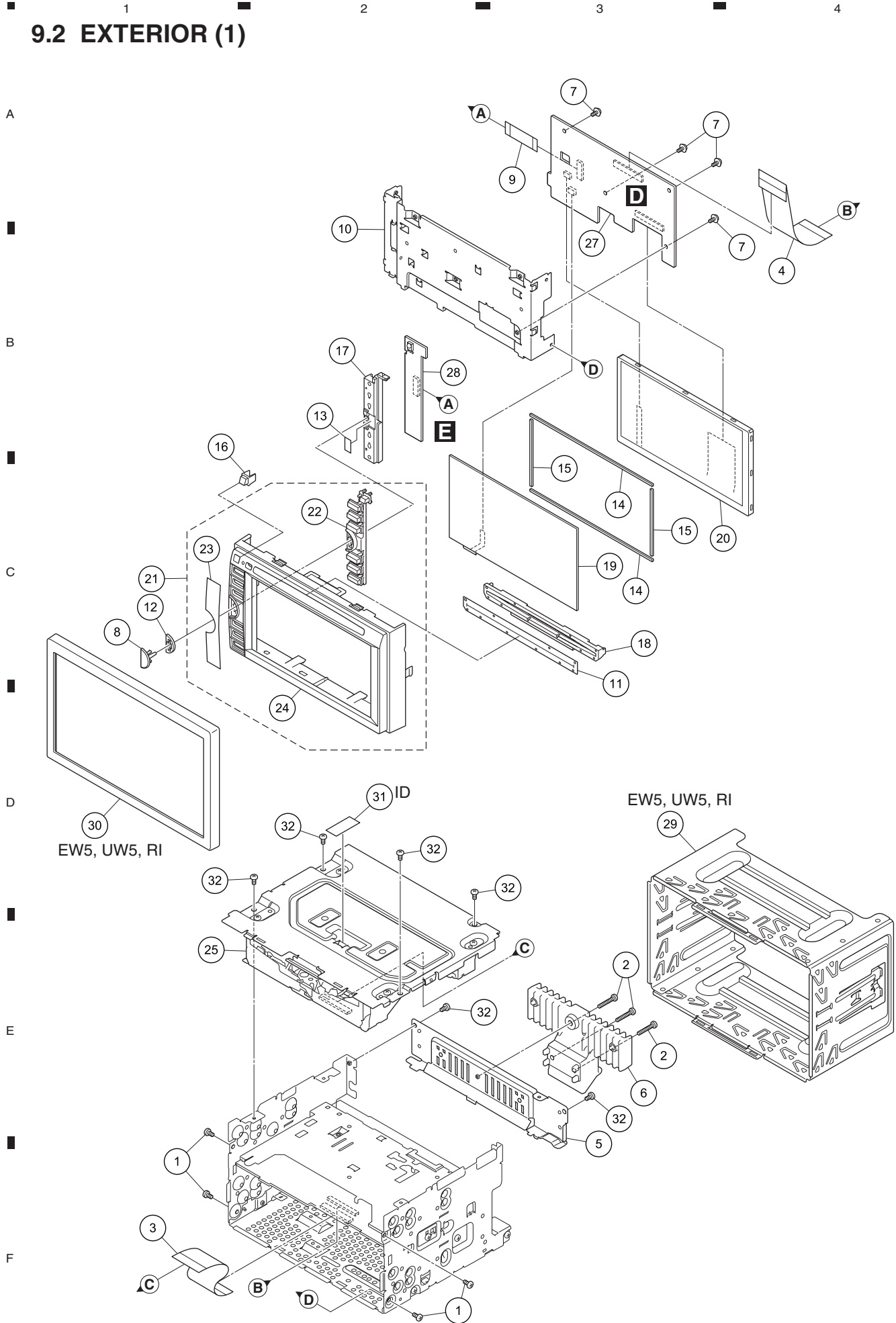
(2) CONTRAST TABLE

AVH-X1500DVD/XNUC, AVH-X1500DVD/XNEW5, AVH-X1500DVD/XNUW5, AVH-X1550DVD/XNRC, AVH-X1550DVD/XNRD, AVH-X1550DVD/XNRI and AVH-X1590DVD/XNID are constructed the same except for the following:

Mark	No.	Description	AVH-X1500DVD/ XNUC	AVH-X1500DVD/ XNEW5	AVH-X1500DVD/ XNUW5	AVH-X1550DVD/ XNRC
	1	Cord Assy	CDP1435	CDP1436	CDP1436	CDP1435
	4	Screw	CRZ50P090FTC	CRZ50P090FTC	CRZ50P090FTC	Not used
	6	Handle	Not used	CND6289	CND6289	Not used
	7	Cover	CEG1359	CEG1356	CEG1356	CEG1356
	8	Unit Box	CHG8171	CHG8179	CHG8180	CHG8172
	9	Contain Box	CHL8171	CHL8179	CHL8180	CHL8172
	10	Protector	CHP4598	CHP4599	CHP4599	CHP4598
	11	Card Remote Control Unit	CXE5116	Not used	Not used	CXE5116
	12	Panel	Not used	Not used	Not used	CNS9475
	13	IM CD-ROM	Not used	CPJ1446	Not used	Not used
*	14-1	Owner's Manual	CRD4703	Not used	CRB4057	CRD4704
	14-2	Warranty Card	QRY3001	CRY1376	CRY1330	Not used
	14-3	Installation Manual	Not used	CRD4653	Not used	Not used
	14-4	Installation Manual	Not used	CRD4652	Not used	Not used
*	14-5	Caution Card	Not used	CRP1436	Not used	Not used
*	14-6	Caution Card	Not used	CRP1441	Not used	Not used
*	14-7	Service Network	Not used	Not used	Not used	Not used

Mark	No.	Description	AVH-X1550DVD/ XNRD	AVH-X1550DVD/ XNRI	AVH-X1590DVD/ XNID
	1	Cord Assy	CDP1435	CDP1435	CDP1435
	4	Screw	Not used	Not used	Not used
	6	Handle	Not used	CND6289	Not used
	7	Cover	CEG1356	CEG1356	CEG1356
	8	Unit Box	CHG8173	CHG8181	CHG8174
	9	Contain Box	CHL8173	CHL8181	CHL8174
	10	Protector	CHP4598	CHP4599	CHP4598
	11	Card Remote Control Unit	CXE5116	CXE5116	CXE5116
	12	Panel	CNS9475	CNS9475	CNS9475
	13	IM CD-ROM	Not used	Not used	Not used
*	14-1	Owner's Manual	CRD4706	CRD4705	CRB4065
	14-2	Warranty Card	Not used	Not used	CRY1304
	14-3	Installation Manual	Not used	Not used	Not used
	14-4	Installation Manual	Not used	Not used	Not used
*	14-5	Caution Card	Not used	Not used	Not used
*	14-6	Caution Card	Not used	Not used	Not used
*	14-7	Service Network	Not used	Not used	CRY1305

9.2 EXTERIOR (1)



AVH-X1500DVD/XNUC

(1) EXTERIOR (1) SECTION PARTS LIST

<u>Mark No.</u>	<u>Description</u>	<u>Part No.</u>	<u>Mark No.</u>	<u>Description</u>	<u>Part No.</u>
1	Screw	BSZ26P050FTC	17	Lighting Conductor	CNW2589
2	Screw	BSZ26P120FTC	18	Holder	CNW2590
3	FFC	CDE9765	19	Touch Panel	CSX1184
4	FFC	CDE9767	20	TFT LCD	CWX4218
5	Holder	CND6246			
			21	Grille Assy	See Contrast table (2)
6	Heat Sink	CNR2147	22	Button	CAI3844
7	Screw	ASZ26P050FTC	23	Plate	CNN4185
8	Button (HOME)	CAI3845	24	Grille	See Contrast table (2)
9	FFC	CDE9768	25	DVD Mechanism Module (LS2)	CXX8003
10	Holder	CND6527			
			26	
11	Cover	CNN2628	27	Service Unit (Monitor)	CXX5001
12	Cushion	CNN4186	28	Service Unit (Key)	CXX5006
13	Sheet	CNN4187	29	Holder	See Contrast table (2)
14	Cushion	CNN4273	30	Panel	See Contrast table (2)
15	Cushion	CNN4274			
			31	Label	See Contrast table (2)
16	Lighting Conductor	CNW2588	32	Screw	BSZ26P060FTC

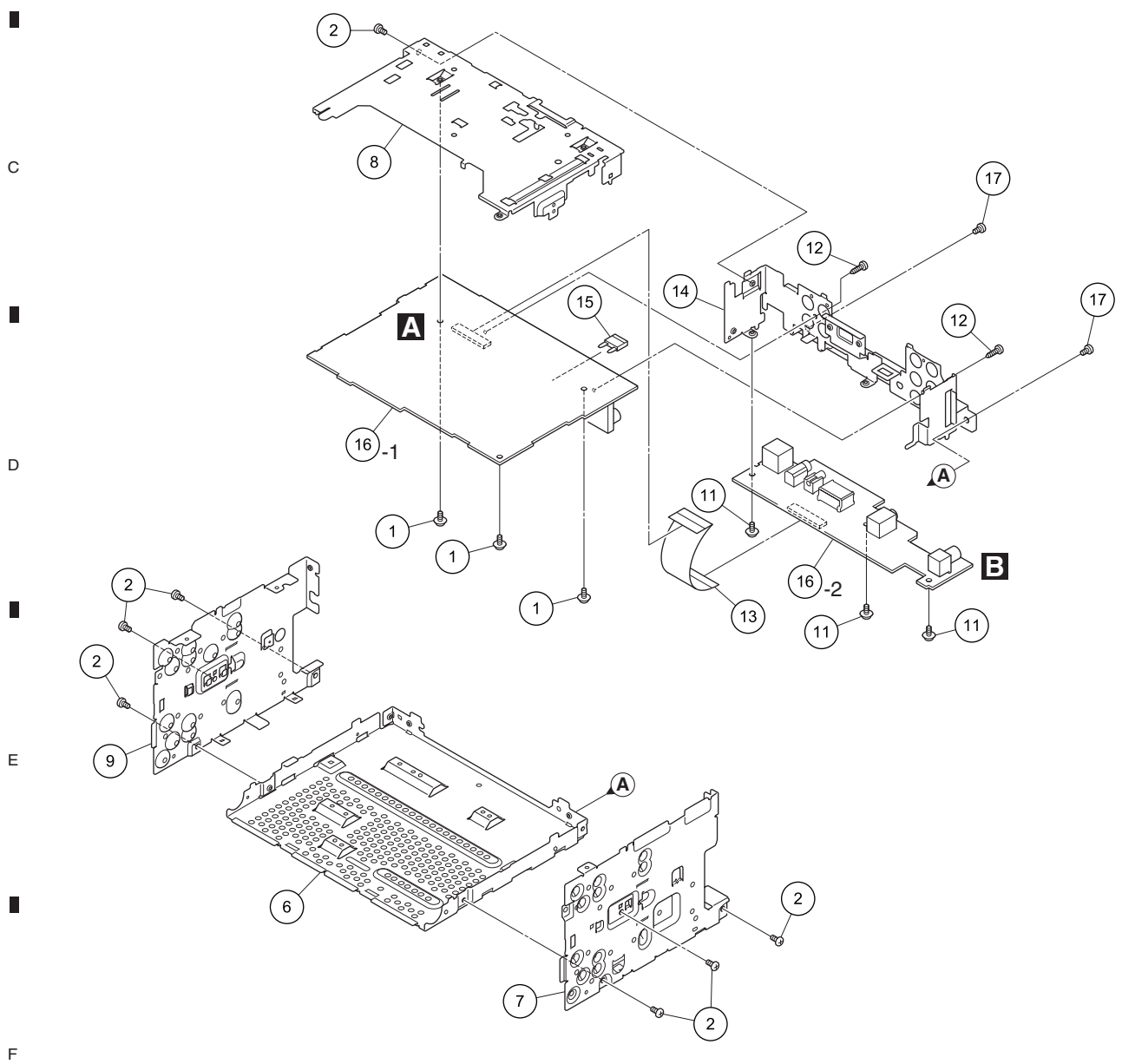
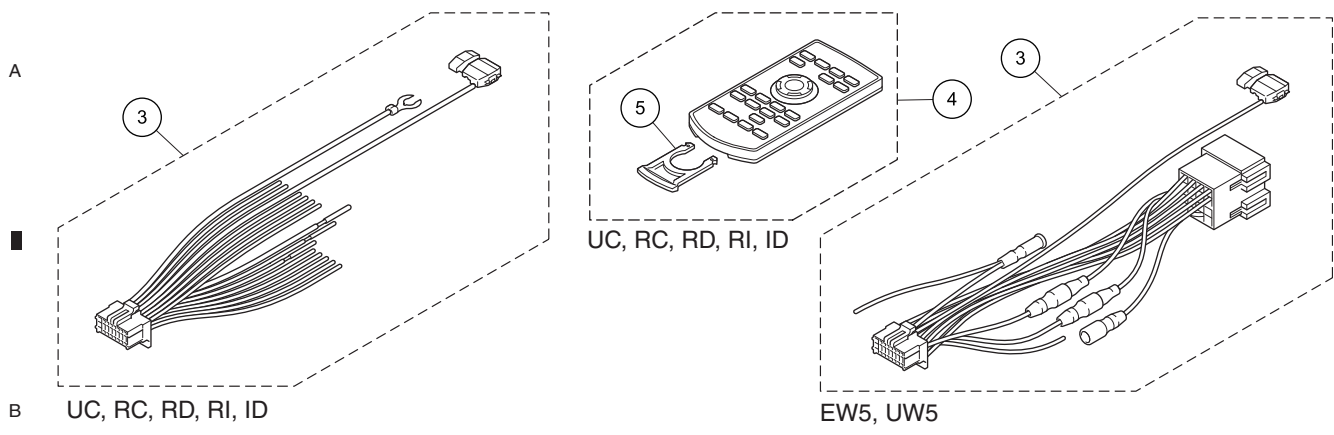
(2) CONTRAST TABLE

AVH-X1500DVD/XNUC, AVH-X1500DVD/XNEW5, AVH-X1500DVD/XNUW5, AVH-X1550DVD/XNRC, AVH-X1550DVD/XNRD, AVH-X1550DVD/XNRI and AVH-X1590DVD/XNID are constructed the same except for the following:

Mark	No.	Description	AVH-X1500DVD/ XNUC	AVH-X1500DVD/ XNEW5	AVH-X1500DVD/ XNUW5	AVH-X1550DVD/ XNRC
	21	Grille Assy	CXE5657	CXE5656	CXE5656	CXE5658
	24	Grille	CNU2024	CNU2023	CNU2023	CNU2025
	29	Holder	Not used	CND6288	CND6288	Not used
	30	Panel	Not used	CNS9952	CNS9952	Not used
	31	Label	Not used	Not used	Not used	Not used

Mark	No.	Description	AVH-X1550DVD/ XNRD	AVH-X1550DVD/ XNRI	AVH-X1590DVD/ XNID
	21	Grille Assy	CXE5658	CXE5658	CXE5659
	24	Grille	CNU2025	CNU2025	CNU2026
	29	Holder	Not used	CND6288	Not used
	30	Panel	Not used	CNS9952	Not used
	31	Label	Not used	Not used	CNN3533

9.3 EXTERIOR (2)



(1) EXTERIOR (2) SECTION PARTS LIST

<u>Mark No.</u>	<u>Description</u>	<u>Part No.</u>	<u>Mark No.</u>	<u>Description</u>	<u>Part No.</u>	
1	Screw	ASZ26P050FTC	10		
2	Screw	BSZ26P050FTC				
3	Cord Assy	See Contrast table (2)	11	Screw	ASZ26P050FTC	
4	Card Remote Control Unit	See Contrast table (2)	12	Screw	BPZ26P080FTC	
5	Battery Cover	See Contrast table (2)	13	FFC	CDE9766	
			14	Holder	CND6555	
6	Chassis	CNA3210	⚠	15	Fuse (10 A)	YEK5001
7	Bracket	CND6336				
8	Holder	CND6530	16	Service Unit (Mother I/F)	See Contrast table (2)	
9	Bracket	CND6635	17	Screw	BSZ26P060FTC	

(2) CONTRAST TABLE

AVH-X1500DVD/XNUC, AVH-X1500DVD/XNEW5, AVH-X1500DVD/XNUW5, AVH-X1550DVD/XNRC, AVH-X1550DVD/XNRD, AVH-X1550DVD/XNRI and AVH-X1590DVD/XNID are constructed the same except for the following:

Mark	No.	Description	AVH-X1500DVD/ XNUC	AVH-X1500DVD/ XNEW5	AVH-X1500DVD/ XNUW5	AVH-X1550DVD/ XNRC
	3	Cord Assy	CDP1435	CDP1436	CDP1436	CDP1435
	4	Card Remote Control Unit	CXE5116	Not used	Not used	CXE5116
	5	Battery Cover	CNU1624	Not used	Not used	CNU1624
	16	Service Unit (Mother I/F)	CXX4978	CXX4976	CXX4977	CXX4979

Mark	No.	Description	AVH-X1550DVD/ XNRD	AVH-X1550DVD/ XNRI	AVH-X1590DVD/ XNID
	3	Cord Assy	CDP1435	CDP1435	CDP1435
	4	Card Remote Control Unit	CXE5116	CXE5116	CXE5116
	5	Battery Cover	CNU1624	CNU1624	CNU1624
	16	Service Unit (Mother I/F)	CXX4980	CXX4981	CXX4982

9.4 DVD MECHANISM MODULE (1)

1

2

3

4

A

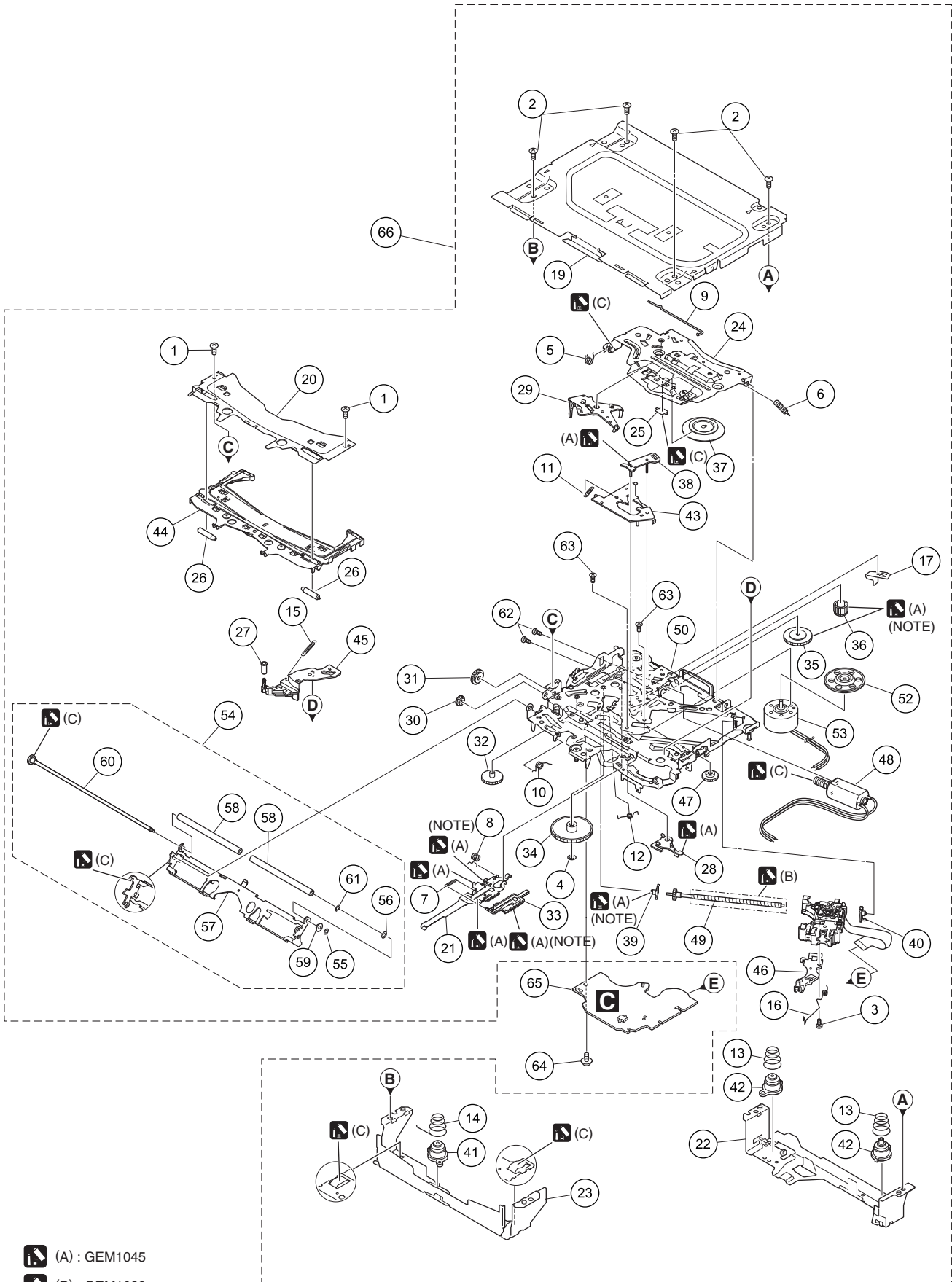
B




C

D

E

F



-  (A) : GEM1045
-  (B) : GEM1038
-  (C) : GEM1024

(NOTE) Apply grease to the whole part.

1

2

3

4

5 6 7 8
DVD MECHANISM MODULE (1) SECTION PARTS LIST

<u>Mark No.</u>	<u>Description</u>	<u>Part No.</u>	<u>Mark No.</u>	<u>Description</u>	<u>Part No.</u>
1	Screw	BSZ20P040FTC	35	Gear	CNW1186
2	Screw	BSZ26P060FTC			
3	Screw (M2 x 4)	CBA1835	36	Gear	CNW1187
4	Washer	CBF1038	37	Clamper	CNW1190
5	Spring	CBH2855	38	Arm	CNW1192
			39	Holder	CNW1193
6	Spring	CBH2860	40	Holder	CNW1194
7	Spring	CBH3010			
8	Spring	CBH3011	41	Damper	CNW1197
9	Spring	CBH3014	42	Damper	CNW1198
10	Spring	CBH3015	43	Arm	CNW1726
			44	Guide	CNW2240
11	Spring	CBH3016	45	Arm	CNW2241
12	Spring	CBH3017			
13	Spring	CBH3019	46	Rack	CNW2265
14	Spring	CBH3086	47	Gear	CNW2287
15	Spring	CBH3095	48	Motor Unit(M1)(CRG(L/E))	CXC4026
			49	Screw Unit	CXC8894
16	Spring	CBH3096	* 50	Chassis Unit	CXE4047
17	Plate Spring	CBL1824			
18	•••••		51	•••••	
19	Case	CNB3763	* 52	Support Wheel	CNW2052
20	Bracket	CND4553	* 53	Spindle Motor(M2)(SPINDLE)	EXM2002
			54	Arm Assy	CXE5027
21	Lever	CND5398	55	Washer	CBF1037
22	Bracket	CND5710			
23	Bracket	CND6127	56	Washer	CBF1038
24	Arm	CND6406	57	Arm	CND6242
25	Sheet	CNN3678	58	Roller	CNW1196
			59	Collar	CNW2444
26	Roller	CNW1172	60	Gear Unit	CXC8893
27	Roller	CNW1175			
28	Arm	CNW1177	61	Washer	YE15FTC
29	Arm	CNW1178	62	Screw	JFZ20P025FTC
30	Gear	CNW1180	63	Screw	JGZ17P020FTC
			64	Screw (M2 x 5)	EBA1028
31	Gear	CNW1181	65	DVD Core Unit	YWX5032
32	Gear	CNW1183			
33	Rack	CNW1184	66	Mechanism Unit(Service)	CXX4548
34	Gear	CNW1185			

On this mechanism, Pickup and Spindle Motor can not be replaced at the service site, because a special facility is required for the adjustment after replacing them.
 So, if Pickup or Spindle Motor is defective, replace the Mechanism Unit.

12. ELECTRICAL PARTS LIST

NOTE:

- Parts whose parts numbers are omitted are subject to being not supplied.
- The part numbers shown below indicate chip components.

Chip Resistor

RS1/○S○○○○J,RS1/○○S○○○○J

Chip Capacitor (except for CQS.....)

CKS....., CCS....., CSZS.....

- The \triangle mark found on some component parts indicates the importance of the safety factor of the part. Therefore, when replacing, be sure to use parts of identical designation.
- Meaning of the figures and others in the parentheses in the parts list.

Example) IC 301 is on the point (face A, 91 of x-axis, and 111 of y-axis) of the corresponding PC board.

IC 301 (A, 91, 111) IC NJM2068V

- The expression of the unit in this manual is shown by μ instead of μ . Please do not make a mistake.

<u>Circuit Symbol and No.</u>	<u>Part No.</u>
A:AVH-X1500DVD/XNUC	
B:AVH-X1500DVD/XNEW5	
C:AVH-X1500DVD/XNUW5	
D:AVH-X1550DVD/XNRC	
E:AVH-X1550DVD/XNRD	
F:AVH-X1550DVD/XNRI	
G:AVH-X1590DVD/XNID	
Unit Number : CXX4978(A)	
Unit Number : CXX4976(B)	
Unit Number : CXX4977(C)	
Unit Number : CXX4979(D)	
Unit Number : CXX4980(E)	
Unit Number : CXX4981(F)	
Unit Number : CXX4982(G)	
Unit Name : Service Unit(Mother I/F)	
Unit Number : YWX5032	
Unit Name : DVD Core Unit	
Unit Number : CXX5001	
Unit Name : Service Unit(Monitor)	
Unit Number : CXX5006	
Unit Name : Service Unit(Key)	

<u>Circuit Symbol and No.</u>	<u>Part No.</u>
<u>Service Unit(Mother I/F)</u>	
<u>Consists of</u>	
<u>Mother PCB</u>	
<u>Interface PCB</u>	



Unit Number : CXX4978(A)
Unit Number : CXX4976(B)
Unit Number : CXX4977(C)
Unit Number : CXX4979(D)
Unit Number : CXX4980(E)
Unit Number : CXX4981(F)
Unit Number : CXX4982(G)
Unit Name : Service Unit(Mother I/F)

MISCELLANEOUS

IC 101	(B,132,74) IC	AK4223VQ
IC 251	(B,119,96) IC	PML020A
IC 301	(A,112,107) IC	TPD1052F
IC 341	(A,97,121) IC	PA2030A
IC 501	(A,40,78) IC	TDA7706
IC 601	(A,56,55) IC(A) (A,56,55) IC(B,C,D,E,F,G)	PDB093A8 PDB094A8
IC 751	(A,132,69) Logic IC	TC7USB221FT
IC 1001	(B,89,68) IC	BH7673G
IC 1002	(B,86,68) IC	BH7673G
IC 1003	(B,80,68) IC	BH7673G
IC 1004	(B,77,68) IC	BH7673G
IC 1051	(B,82,41) LSI	ML86V7675TBZ03A
IC 1101	(B,123,41) IC	M12L128168A-5TG2N
IC 1151	(B,104,49) IC	WM8761BGED
IC 1202	(B,105,40) IC	337S3959
IC 1251	(B,146,54) Flash ROM Unit(Service) (A,D) (B,146,54) Flash ROM Unit(Service) (B,C,E,F,G)	CXX4926 CXX4927
IC 1301	(B,96,22) Serial Flash Memory	MX25L8006EM2I-12G
IC 1302	(A,107,42) IC	R5S72690RW266FP
IC 1721	(A,126,100) IC	NJM4558V
IC 1731	(A,128,112) IC	NJM4558V

	1		2		3		4	
	<u>Circuit Symbol and No.</u>		<u>Part No.</u>		<u>Circuit Symbol and No.</u>		<u>Part No.</u>	
	IC 1801	(B,60,83) Regulator IC	NJW4181U3-33B		D 1953	(A,140,109) Diode	RSX201L-30	
	IC 1821	(A,91,101) IC	NJM2387ADL3		D 1954	(A,140,113) Diode	RSX201L-30	
A	IC 1901	(B,33,53) IC	NJM2886DL3-05		D 2101	(A,164,94) Diode	RB056L-40	
	IC 1951	(B,158,68) IC	AN33012UA		D 2161	(B,163,102) Diode	DB2X41400	
	IC 2011	(B,116,15) Regulator IC	BD001A5WEFJ		D 2162	(B,154,105) Diode	RSX201L-30	
					D 3641	(B,77,37) Diode	DZ2S068C	
	IC 2031	(B,78,24) Regulator IC	NJM2878F3-15		D 3642	(B,62,37) Diode	DZ2S068C	
	IC 2101	(B,164,96) Regulator IC	BD9876EFJ		D 3643	(B,77,41) Diode	DZ2S068C	
	IC 2161	(B,165,108) IC	AN33014UA					
	Q 302	(A,108,113) Transistor	LTC014YEB		L 501	(A,46,91) Chip Coil	LCTAWR15J2520	
	Q 311	(B,90,103) Transistor	RN4987		L 502	(A,43,90) Chip Coil	LCTAWR27J2520	
					L 503	(A,40,90) Inductor	CTF1786	
	Q 321	(B,87,107) Chip Transistor	RN1903		L 504	(A,38,89) SMD Ferrite Beads	CTF1806	
	Q 331	(A,84,108) Chip Transistor	RN4982		L 505	(A,34,95) Inductor	CTF1389	
	Q 601	(A,71,48) Transistor	LSCR523UB					
B	Q 751	(B,65,18) Chip Transistor	HN1C01FU		L 506	(A,43,88) Inductor	CTF1794	
	Q 752	(B,61,18) Chip Transistor	RN4982		L 507	(A,32,89) Inductor	LCYC220K1608	
					L 508	(A,32,85) Inductor(A,E)	LCYB68NJ1005	
	Q 831	(B,65,77) Transistor	LTC014EEB		L 509	(A,29,79) Chip Coil	LCTAW470J2520	
	Q 841	(B,67,73) Transistor	LTC014EEB		L 510	(A,31,75) Inductor	CTF1786	
	Q 854	(A,53,98) Chip Transistor	HN1A01FU					
	Q 871	(A,56,78) Chip Transistor	HN1C01FU		L 511	(A,35,70) Inductor	CTF1786	
	Q 1001	(B,82,58) Transistor	LSCR523UB		L 512	(A,50,83) Inductor	CTF1786	
					L 513	(A,51,83) Inductor	CTF1786	
	Q 1002	(B,85,58) Transistor	LSCR523UB		L 514	(A,44,68) Inductor	CTF1786	
	Q 1003	(B,88,58) Transistor	LSCR523UB		L 517	(A,50,71) Inductor	CTF1786	
	Q 1004	(B,78,58) Transistor	LSCR523UB					
	Q 1201	(B,110,32) Transistor	LSAR523UB		L 519	(A,33,93) Inductor	LCYB10NJ1608	
C	Q 1631	(A,36,113) Chip Transistor	HN1C01FU		L 801	(A,63,92) Choke Coil 600 uH	CTH1221	
					L 1001	(B,87,62) Inductor	CTF1545	
	Q 1632	(A,43,113) Chip Transistor	HN1C01FU		L 1002	(B,80,62) Inductor	CTF1545	
	Q 1633	(A,30,113) Chip Transistor	HN1C01FU		L 1003	(B,76,62) Inductor	CTF1545	
	Q 1661	(B,125,16) Chip Transistor	2SD2114K					
	Q 1662	(B,128,14) Transistor	RN4984		L 1004	(B,83,62) Inductor	CTF1545	
	Q 1663	(B,129,19) Transistor	RN4984		L 1005	(B,96,68) Chip Coil	LCTAW100J2520	
					L 1051	(B,77,34) Inductor	CTF1740	
	Q 1701	(A,135,105) Transistor	UMF23N		L 1101	(B,135,43) Inductor	CTF1786	
	Q 1721	(A,136,97) Transistor	LSCR523UB		L 1107	(B,119,50) Inductor	CTF1645	
	Q 1951	(A,163,70) FET	SFT1342					
	Q 1952	(A,153,67) FET	SFT1342		L 1151	(B,106,55) Inductor	CTF1786	
	D 303	(A,113,113) Diode	CRG03		L 1251	(B,138,55) Inductor	CTF1786	
D					L 1301	(B,109,44) Inductor	CTF1786	
	D 304	(A,109,111) Diode	CRG03		L 1302	(B,110,57) Inductor	CTF1545	
	D 312	(B,90,100) Diode	DA2J101		L 1303	(B,108,21) Chip Beads	VTL1129	
	D 501	(A,46,95) Diode	RN731VN					
	D 502	(A,46,88) Diode	RN731VN		L 1304	(B,138,43) Chip Beads	VTL1129	
	D 801	(B,64,122) Diode	1SR154-400		L 1305	(A,127,37) Chip Beads	VTL1126	
					L 1306	(A,86,34) Chip Beads	VTL1127	
	D 802	(B,60,122) Diode	1SR154-400		L 1311	(A,124,29) Chip Beads	VTL1127	
	D 821	(A,48,101) Diode	DAN202UM		L 1312	(A,126,32) Chip Beads	VTL1127	
	D 831	(B,63,76) Diode	RKZ5.6KG(B2)					
	D 841	(B,70,76) Diode	DA2J101		L 1313	(A,124,35) Chip Beads	VTL1127	
	D 853	(A,51,102) Diode	DAN202UM		L 1315	(A,125,41) Chip Beads	VTL1127	
					L 1316	(A,124,43) Chip Beads	VTL1127	
E	D 871	(B,63,103) Diode	HZU7L(A1)		L 1317	(A,125,42) Chip Beads	VTL1127	
	D 873	(B,67,101) Diode	HZU7L(C3)		L 1318	(A,125,46) Chip Beads	VTL1127	
	D 1601	(A,153,108) Diode	EZAEG2A50AX					
	D 1602	(A,150,108) Diode	EZAEG2A50AX		L 1319	(A,125,49) Chip Beads	VTL1127	
	D 1622	(B,123,112) Diode	DZ2S068C		L 1322	(A,125,54) Chip Beads	VTL1127	
					L 1323	(A,125,58) Chip Beads	VTL1127	
	D 1623	(B,134,111) Diode	DZ2S068C		L 1377	(A,86,30) Chip Beads	VTL1126	
	D 1624	(B,140,110) Diode	DZ2S068C		L 1381	(A,87,54) Chip Beads	VTL1126	
	D 1661	(B,125,12) Diode	RKZ3.9KG(B2)					
	D 1721	(A,137,101) Diode	RKZ4.7KG(B2)		L 1383	(A,83,54) Chip Beads	VTL1126	
	D 1781	(B,56,35) Diode	DZ2S068C		L 1384	(A,85,52) Chip Beads	VTL1126	
					L 1387	(A,87,46) Chip Beads	VTL1126	
F	D 1782	(B,58,33) Diode	DZ2S068C		L 1390	(A,83,46) Chip Beads	VTL1126	
	D 1801	(B,66,83) Diode	1SR154-400		L 1391	(A,87,45) Chip Beads	VTL1126	
	D 1902	(B,38,42) Diode	CRG03					
	D 1951	(A,161,63) Diode	RB056L-40		L 1393	(A,83,44) Chip Beads	VTL1126	
	D 1952	(A,153,59) Diode	RB056L-40		L 1394	(A,87,44) Chip Beads	VTL1126	

5		6		7		8	
<u>Circuit Symbol and No.</u>		<u>Part No.</u>		<u>Circuit Symbol and No.</u>		<u>Part No.</u>	
L 1397	(A,83,43) Chip Beads	VTL1126		R 116	(B,131,64)	RS1/16SS101J	
L 1399	(A,87,43) Chip Beads	VTL1126		R 117	(B,135,64)	RS1/16SS101J	
L 1401	(A,87,42) Chip Beads	VTL1126		R 119	(B,144,67)	RS1/10SR560J	
				R 120	(B,143,69)	RS1/10SR560J	A
L 1403	(A,84,41) Chip Beads	VTL1126					
L 1405	(A,87,40) Chip Beads	VTL1126		R 121	(B,144,71)	RS1/10SR560J	
L 1407	(A,84,39) Chip Beads	VTL1126		R 201	(B,133,101)	RS1/16SS0R0J	
L 1409	(A,87,38) Chip Beads	VTL1126		R 202	(B,129,102)	RS1/16SS182J	
L 1411	(A,87,37) Chip Beads	VTL1126		R 255	(B,124,88)	RS1/16SS473J	
				R 258	(A,100,108)	RS1/8SQ0R0J	
L 1413	(A,87,36) Chip Beads	VTL1126					
L 1415	(A,86,35) Chip Beads	VTL1126		R 259	(A,96,108)	RS1/8SQ0R0J	
L 1601	(A,151,106) Inductor	CTF1713		R 260	(A,104,107)	RS1/8SQ0R0J	
L 1951	(A,164,55) Choke Coil 10 uH	CTH1446		R 261	(A,92,108)	RS1/8SQ0R0J	
L 1952	(A,151,54) Inductor	CTH1519		R 265	(B,102,95)	RS1/16SS0R0J	
				R 305	(A,110,113)	RS1/16SS103J	
L 1953	(A,144,102) Choke Coil 10 uH	CTH1486					
L 2101	(A,158,94) Inductor	CTH1524		R 306	(A,66,43)	RS1/16SS103J	B
L 2161	(A,164,102) Inductor	CTH1524		R 312	(B,89,98)	RS1/16SS102J	
L 2162	(B,167,102) Inductor	CTF1793		R 322	(B,85,108)	RS1/16SS221J	
X 501	(A,52,75) Resonator 36.480 MHz	CSS1805		R 323	(B,83,105)	RS1/16SS103J	
				R 331	(A,83,105)	RS1/16SS103J	
X 601	(A,71,56) Crystal Resonator 12.500 MHz	CSS1839					
X 1051	(B,71,34) Crystal Resonator 32.000 MHz	CSS1818		R 332	(A,83,110)	RS1/16SS473J	
X 1301	(A,102,65) Resonator 48.000 MHz	CSS1760		R 452	(A,9,95)	RS1/10SR0R0J	
X 1302	(A,113,65) Crystal Resonator 13.333 33 MHz	CSS1840		R 454	(B,49,84) (B,C,D,E,F,G)	RS1/8SQ0R0J	
X 1303	(A,86,50) Resonator 16.93 MHz	CSS1794		R 456	(A,8,74)	RS1/10SR0R0J	
				R 457	(B,22,96)	RS1/10SR0R0J	
P 451	(A,21,96) Surge Absorber	IMSA-6803-01Y900		R 519	(A,47,86)	RS1/16SS221J	
P 1623	(B,130,108) Poly Switch	FSMD075-24R					
P 1631	(B,28,109) Poly Switch	FSMD075-24R		R 520	(A,31,94)	RS1/16SS105J	C
P 1701	(A,121,77) Poly Switch	FSMD075-24R		R 521	(A,47,87)	RS1/16SS751J	
⚠ P1951	(A,45,37) Fuse 1.0 A	CEK1381		R 522	(A,32,87)	RS1/16SS152J	
				R 523	(A,33,85)	RS1/16SS105J	
⚠ P2071	(A,145,38) Fuse 1.25 A	CEK1382		R 524	(A,31,85) (B,C,D,F,G)	RS1/16SS0R0J	
⚠ P2081	(A,23,20) Fuse 0.75 A	CEK1380		R 525	(A,29,82)	RS1/16SS471J	
⚠ P2151	(A,46,25) Fuse 2.5 A	CEK1385					
⚠ P2152	(A,49,27) Fuse 1.5 A	CEK1383		R 526	(A,31,81)	RS1/16SS330J	
BZ3631	(A,45,44) Buzzer	CPV1062		R 527	(A,31,79)	RS1/16SS681J	
				R 528	(A,28,71)	RS1/4SA5R6J	
CN751	(A,63,14) Connector	CKS6025		R 529	(A,26,72)	RS1/4SA5R6J	
CN1701	(A,119,86) Connector	CKS6535		R 530	(A,26,75)	RS1/4SA5R6J	
CN1751	(A,67,27) Connector	CKS6536					
CN3601	(B,119,49) Connector	CKS6535		R 539	(A,33,73)	RS1/16SS102J	D
CN3661	(A,111,25) Connector	CKS4497		R 540	(A,48,77)	RS1/16SS0R0J	
JA451	(A,14,111) Antenna Jack	YKS5041		R 601	(B,51,41) (B,C,D,E)	RS1/16SS104J	
JA801	(A,62,118) Plug	CKM1376		R 602	(B,49,41) (F,G)	RS1/16SS104J	
				R 603	(B,51,40) (B,C,F,G)	RS1/16SS104J	
JA1601	(A,151,121) USB Jack	CKN1091					
JA1621	(A,129,121) RCA Jack	CKB1102		R 604	(B,49,40) (D,E)	RS1/16SS104J	
JA1631	(A,35,120) Pin Jack	XKB7001		R 605	(B,51,39) (B,D,F)	RS1/16SS104J	
JA3621	(A,13,33) RCA Jack	CKB1106		R 606	(B,49,39) (C,E,G)	RS1/16SS104J	
JA3641	(A,69,19) Mini Jack	AKN1073		R 607	(B,51,37)	RS1/16SS104J	
				R 610	(B,49,36)	RS1/16SS104J	
JA3731	(A,145,28) Jack	CKS6437		R 611	(B,51,45)	RS1/16SS103J	
				R 612	(B,55,50)	RS1/16SS221J	
				R 613	(B,61,40)	RS1/16SS472J	
				R 614	(B,63,40)	RS1/16SS471J	
				R 615	(B,64,40)	RS1/16SS472J	
				R 616	(B,62,40)	RS1/16SS471J	
				R 617	(B,55,45)	RS1/16SS104J	
				R 618	(B,55,44)	RS1/16SS104J	
				R 619	(A,59,66)	RS1/16SS102J	
				R 620	(B,50,45)	RS1/16SS103J	
				R 621	(B,66,61)	RS1/16SS473J	
				R 622	(A,55,42)	RS1/16SS101J	F
				R 623	(B,61,44)	RS1/16SS104J	
				R 624	(B,61,45)	RS1/16SS103J	
				R 626	(B,58,45)	RS1/16SS0R0J	

RESISTORS

1

2

3

4

Circuit Symbol and No.**Part No.****Circuit Symbol and No.****Part No.**

R 627	(B,62,45)	RS1/16SS473J	R 834	(B,55,103)	RS1/4SA102J
R 629	(A,69,56)	RS1/16SS0R0J	R 841	(B,69,75)	RS1/16SS103J
R 630	(A,69,45)	RS1/16SS473J	R 842	(B,72,79)	RS1/4SA102J
R 631	(A,70,46)	RS1/16SS104J	R 861	(A,44,63)	RS1/16SS473J
R 632	(A,70,50)	RS1/16SS473J	R 863	(A,50,98)	RS1/16SS223J
R 633	(A,68,50)	RS1/16SS102J	R 864	(A,55,97)	RS1/16SS473J
R 634	(B,64,45)	RS1/16SS473J	R 865	(A,49,98)	RS1/16SS473J
R 636	(A,68,52)	RS1/16SS472J	R 866	(A,51,105)	RS1/16SS103J
R 637	(A,68,53)	RS1/16SS472J	R 867	(A,43,63)	RS1/16SS102J
R 638	(A,63,69)	RS1/16SS102J	R 868	(B,43,66)	RS1/16SS102J
R 642	(B,65,52)	RS1/16SS473J	R 873	(B,66,103)	RS1/16SS103J
R 644	(A,70,53)	RS1/16SS102J	R 874	(B,65,103)	RS1/16SS473J
R 645	(B,66,60)	RS1/16SS102J	R 875	(B,60,103)	RS1/16SS472J
R 646	(A,68,62)	RS1/16SS121J	R 878	(B,62,101)	RS1/16SS104J
R 647	(A,68,64)	RS1/16SS104J	R 879	(B,64,101)	RS1/16SS473J
R 648	(A,68,63)	RS1/16SS121J	R 880	(B,55,100)	RS1/4SA102J
R 652	(A,73,48)	RS1/16SS473J	R 1009	(B,78,64)	RS1/16SS101J
R 653	(A,68,48)	RS1/16SS471J	R 1010	(B,81,64)	RS1/16SS101J
R 654	(A,68,49)	RS1/16SS471J	R 1011	(B,90,63)	RS1/16SS101J
R 655	(A,71,51)	RS1/16SS472J	R 1012	(B,86,64)	RS1/16SS101J
R 658	(B,68,59)	RS1/16SS104J	R 1013	(B,83,69)	RS1/10SR101J
R 659	(A,67,66)	RS1/16SS0R0J	R 1051	(B,71,49)	RS1/16SS750J
R 660	(A,67,67)	RS1/16SS0R0J	R 1052	(B,69,40)	RS1/10SR0R0J
R 661	(A,67,68)	RS1/16SS0R0J	R 1053	(A,76,40)	RS1/16SS472J
R 662	(A,67,69)	RS1/16SS0R0J	R 1054	(B,92,40)	RS1/16SS473J
R 663	(A,61,69)	RS1/16SS473J	R 1055	(B,71,39)	RS1/16SS101J
R 664	(A,59,69)	RS1/16SS103J	R 1056	(B,71,38)	RS1/16SS101J
R 665	(B,54,67)	RS1/16SS0R0J	R 1057	(B,92,39)	RS1/16SS561J
R 666	(A,59,72)	RS1/16SS104J	R 1058	(B,74,36)	RS1/16SS105J
R 667	(A,58,69)	RS1/16SS103J	R 1059	(B,72,37)	RS1/16SS471J
R 668	(B,56,67)	RS1/16SS102J	R 1060	(B,82,30)	RS1/16SS391J
R 681	(A,44,44)	RS1/16SS221J	R 1061	(B,83,30)	RS1/16SS391J
R 682	(B,43,44)	RS1/16SS221J	R 1062	(B,83,32)	RS1/16SS391J
R 683	(A,43,44)	RS1/16SS221J	R 1063	(B,84,30)	RS1/16SS391J
R 684	(B,47,44)	RS1/16SS221J	R 1064	(B,85,30)	RS1/16SS391J
R 685	(B,45,44)	RS1/16SS221J	R 1065	(B,86,31)	RS1/16SS391J
R 686	(B,44,44)	RS1/16SS221J	R 1066	(B,88,31)	RS1/16SS391J
R 687	(B,50,53)	RS1/16SS104J	R 1067	(B,86,32)	RS1/16SS391J
R 688	(A,44,56)	RS1/16SS473J	R 1068	(B,88,32)	RS1/16SS221J
R 689	(A,43,61)	RS1/16SS473J	R 1069	(B,87,34)	RS1/16SS221J
R 690	(B,46,62)	RS1/16SS272J	R 1070	(B,89,34)	RS1/16SS561J
R 691	(B,46,60)	RS1/16SS102J	R 1071	(B,74,33)	RS1/16SS473J
R 692	(B,53,46)	RS1/16SS104J	R 1072	(B,81,30)	RS1/16SS101J
R 698	(B,42,44)	RS1/16SS473J	R 1073	(B,77,33)	RS1/16SS101J
R 699	(A,45,44)	RS1/16SS104J	R 1074	(B,69,39)	RS1/16SS222J
R 700	(B,54,50)	RS1/16SS221J	R 1075	(B,69,37)	RS1/16SS222J
R 701	(A,68,61)	RS1/16SS473J	R 1076	(B,72,26)	RS1/10SR0R0J
R 705	(B,48,62)	RS1/16SS822J	R 1077	(B,70,26)	RS1/10SR0R0J
R 707	(B,50,50)	RS1/16SS104J	R 1080	(B,73,49)	RS1/16SS0R0J
R 750	(A,134,64)	RS1/10SR0R0J	R 1081	(B,87,54)	RS1/16SS750J
R 751	(B,59,23)	RAB4CQ221J	R 1082	(B,84,54)	RS1/16SS750J
R 752	(B,58,18)	RS1/16SS471J	R 1083	(B,69,26)	RS1/10SR0R0J
R 753	(B,58,19)	RS1/16SS102J	R 1084	(B,81,54)	RS1/16SS750J
R 754	(B,68,18)	RS1/16SS0R0J	R 1085	(B,78,55)	RS1/16SS750J
R 757	(B,64,16)	RS1/16SS472J	R 1101	(B,128,29)	RAB4CQ221J
R 758	(B,66,16)	RS1/16SS472J	R 1102	(B,125,29)	RAB4CQ221J
R 759	(B,61,16)	RS1/16SS102J	R 1103	(B,120,33)	RAB4CQ471J
R 821	(A,45,101)	RS1/16SS153J	R 1104	(B,116,33)	RAB4CQ471J
R 832	(B,65,75)	RS1/16SS104J	R 1105	(B,113,33)	RAB4CQ471J
R 833	(B,59,75)	RS1/16SS103J	R 1106	(B,122,50)	RS1/16SS471J

1

2

3

4

5		6		7		8	
<u>Circuit Symbol and No.</u>		<u>Part No.</u>		<u>Circuit Symbol and No.</u>		<u>Part No.</u>	
R 1108	(B,130,52)	RAB4CQ221J		R 1349	(B,95,16)	RS1/16SS0R0J	
R 1109	(B,126,52)	RAB4CQ221J		R 1350	(A,90,50)	RS1/16SS152J	
R 1110	(B,115,51)	RAB4CQ471J		R 1351	(A,92,60)	RS1/16SS102J	A
R 1111	(B,112,51)	RAB4CQ471J		R 1352	(A,90,66)	RAB4CQ473J	
R 1112	(B,118,51)	RS1/16SS471J		R 1353	(B,118,54)	RS1/16SS0R0J	
R 1151	(B,98,52)	RS1/16SS821J		R 1355	(B,115,55)	RS1/16SS0R0J	
R 1152	(B,109,52)	RS1/16SS821J		R 1356	(A,129,47)	RS1/16SS0R0J	
R 1201	(B,107,41)	RS1/16SS222J		R 1359	(A,128,49)	RS1/16SS0R0J	
R 1202	(B,109,37)	RS1/16SS183J		R 1360	(B,122,56)	RS1/16SS0R0J	
R 1203	(B,104,42)	RS1/16SS222J		R 1365	(A,91,24)	RS1/16SS331J	
R 1205	(B,108,41)	RS1/16SS101J		R 1376	(A,91,27)	RS1/16SS0R0J	
R 1206	(B,104,43)	RS1/16SS101J		R 1378	(A,88,28)	RS1/16SS0R0J	
R 1209	(B,109,41)	RS1/16SS221J		R 1379	(A,87,32)	RS1/16SS0R0J	
R 1251	(A,126,50)	RS1/16SS220J		R 1380	(A,89,54)	RS1/16SS101J	B
R 1252	(A,130,52)	RS1/16SS470J		R 1381	(A,88,26)	RS1/16SS0R0J	
R 1253	(B,76,30)	RS1/16SS0R0J		R 1382	(A,85,53)	RS1/16SS101J	
R 1256	(B,75,30)	RS1/16SS0R0J		R 1383	(A,117,61)	RS1/16SS101J	
R 1257	(A,128,52)	RS1/16SS470J		R 1384	(A,120,61)	RS1/16SS102J	
R 1258	(A,130,49)	RS1/16SS470J		R 1385	(A,89,53)	RS1/16SS101J	
R 1259	(A,129,56)	RS1/16SS470J		R 1386	(A,88,46)	RS1/16SS101J	
R 1260	(B,139,57)	RS1/16SS470J		R 1387	(B,113,55)	RS1/16SS472J	
R 1302	(A,97,22)	RS1/16SS273J		R 1388	(A,84,46)	RS1/16SS101J	
R 1303	(B,107,44)	RS1/16SS0R0J		R 1389	(A,88,45)	RS1/16SS101J	
R 1305	(A,106,21)	RS1/16SS121J		R 1391	(A,111,62)	RS1/16SS102J	
R 1306	(A,106,19)	RS1/16SS104J		R 1392	(A,84,44)	RS1/16SS101J	C
R 1307	(B,123,27)	RS1/16SS473J		R 1393	(A,90,30)	RS1/16SS101J	
R 1310	(B,102,32)	RS1/16SS101J		R 1395	(A,88,44)	RS1/16SS101J	
R 1311	(B,120,28)	RS1/16SS472J		R 1396	(A,85,43)	RS1/16SS101J	
R 1312	(B,121,29)	RS1/16SS472J		R 1398	(A,89,43)	RS1/16SS101J	
R 1313	(B,118,28)	RS1/16SS472J		R 1400	(A,89,42)	RS1/16SS101J	
R 1314	(A,124,31)	RS1/16SS472J		R 1402	(A,86,41)	RS1/16SS101J	
R 1315	(B,119,28)	RS1/16SS472J		R 1404	(A,89,40)	RS1/16SS101J	
R 1316	(B,117,28)	RS1/16SS472J		R 1406	(A,86,40)	RS1/16SS101J	
R 1318	(B,110,51)	RS1/16SS104J		R 1408	(A,89,38)	RS1/16SS101J	
R 1319	(A,128,43)	RS1/16SS104J		R 1410	(A,89,37)	RS1/16SS101J	
R 1320	(A,126,52)	RS1/16SS104J		R 1412	(A,89,36)	RS1/16SS101J	D
R 1321	(A,126,56)	RS1/16SS104J		R 1414	(A,87,35)	RS1/16SS101J	
R 1322	(A,128,51)	RS1/16SS473J		R 1416	(A,87,34)	RS1/16SS0R0J	
R 1323	(A,118,61)	RS1/16SS101J		R 1418	(A,126,39)	RS1/16SS0R0J	
R 1324	(A,123,57)	RS1/16SS104J		R 1419	(A,97,25)	RS1/16SS0R0J	
R 1325	(A,100,59)	RS1/16SS2402F		R 1423	(A,113,23)	RS1/16SS222J	
R 1326	(A,103,61)	RS1/16SS681J		R 1424	(A,123,59)	RS1/16SS0R0J	
R 1327	(B,105,60)	RS1/16SS5601F		R 1425	(A,89,24)	RS1/16SS0R0J	
R 1328	(A,112,62)	RS1/16SS222J		R 1426	(A,91,26)	RS1/16SS0R0J	
R 1329	(B,113,57)	RS1/16SS473J		R 1427	(A,85,32)	RS1/16SS0R0J	
R 1330	(B,114,57)	RS1/16SS473J		R 1428	(A,130,46)	RS1/16SS0R0J	
R 1331	(A,106,64)	RS1/16SS103J		R 1429	(A,130,47)	RS1/16SS0R0J	
R 1332	(A,106,65)	RS1/16SS101J		R 1431	(A,100,61)	RS1/16SS104J	
R 1333	(B,118,58)	RS1/16SS473J		R 1432	(A,98,61)	RS1/16SS104J	
R 1334	(A,114,62)	RS1/16SS473J		R 1433	(A,98,64)	RS1/16SS104J	
R 1335	(B,99,28)	RS1/16SS0R0J		R 1434	(A,96,64)	RS1/16SS104J	
R 1337	(A,96,23)	RS1/16SS101J		R 1435	(A,91,63)	RS1/16SS104J	
R 1338	(A,109,64)	RS1/16SS104J		R 1436	(B,92,54)	RS1/16SS104J	
R 1339	(A,98,65)	RS1/16SS273J		R 1621	(B,140,108)	RS1/16SS750J	
R 1340	(A,93,66)	RS1/16SS104J		R 1622	(B,134,106)	RS1/16SS223J	
R 1341	(A,126,46)	RS1/16SS104J		R 1623	(B,123,110)	RS1/16SS223J	
R 1344	(B,119,53)	RS1/16SS150J		R 1631	(B,45,110)	RS1/16SS821J	F
R 1345	(B,103,29)	RS1/16SS473J		R 1632	(A,45,113)	RS1/16SS223J	
R 1347	(A,129,46)	RS1/16SS0R0J		R 1633	(A,37,109)	RS1/16SS472J	
R 1348	(A,94,25)	RS1/16SS101J		R 1634	(A,34,113)	RS1/16SS223J	

	1	2	3	4
	<u>Circuit Symbol and No.</u>	<u>Part No.</u>	<u>Circuit Symbol and No.</u>	<u>Part No.</u>
	R 1635 (A,36,109)	RS1/16SS472J	R 1967 (B,165,66)	RS1/16SS1002D
A	R 1636 (B,39,110)	RS1/16SS821J	R 1968 (B,167,66)	RS1/16SS511J
	R 1637 (B,43,110)	RS1/16SS821J	R 2003 (B,145,39)	RS1/10SR0R0J
	R 1638 (A,40,113)	RS1/16SS223J	R 2011 (B,111,14)	RS1/16SS472J
	R 1639 (A,42,109)	RS1/16SS472J	R 2012 (B,112,13)	RS1/16SS223J
	R 1640 (A,43,109)	RS1/16SS472J	R 2013 (B,112,15)	RS1/16SS473J
	R 1641 (A,32,113)	RS1/16SS223J	R 2022 (B,82,18)	RS1/16SS0R0J
	R 1642 (B,37,110)	RS1/16SS821J	R 2024 (B,81,19)	RS1/10SR0R0J
	R 1643 (B,41,110)	RS1/16SS821J	R 2031 (B,79,22)	RS1/16SS102J
	R 1644 (A,38,113)	RS1/16SS223J	R 2101 (B,170,97)	RS1/16SS3601D
	R 1645 (A,30,111)	RS1/16SS472J	R 2102 (B,168,97)	RS1/16SS4702D
	R 1646 (A,29,111)	RS1/16SS472J	R 2103 (B,168,98)	RS1/16SS2202D
	R 1647 (A,27,113)	RS1/16SS223J	R 2104 (B,170,98)	RS1/16SS222J
B	R 1648 (B,35,110)	RS1/16SS821J	R 2105 (B,158,90)	RS1/8SQ0R0J
	R 1662 (B,128,17)	RS1/16SS103J	R 2161 (A,156,110)	RS1/16SS102J
	R 1663 (B,126,10)	RS1/16SS122J	R 2162 (A,156,111)	RS1/16SS102J
	R 1664 (B,130,13)	RS1/16SS152J	R 2163 (A,156,108)	RS1/16SS102J
	R 1701 (A,138,104)	RS1/10SR222J	R 2164 (B,171,113)	RS1/16SS224J
	R 1702 (A,133,104)	RS1/16SS562J	R 2165 (B,171,110)	RS1/16SS4702D
	R 1703 (A,133,105)	RS1/16SS332J	R 2166 (B,164,115)	RS1/16SS152J
	R 1721 (A,122,98)	RS1/16SS153J	R 2167 (B,165,115)	RS1/16SS3302D
	R 1722 (A,121,99)	RS1/16SS153J	R 2168 (B,166,115)	RS1/16SS8201D
	R 1723 (A,121,101)	RS1/16SS153J	R 2169 (B,157,110)	RS1/16SS752J
	R 1724 (A,131,98)	RS1/16SS153J	R 2170 (A,156,109)	RS1/16SS102J
C	R 1725 (A,132,98)	RS1/16SS153J	R 2171 (A,158,103)	0.056 ohm ACN7160
	R 1726 (A,132,100)	RS1/16SS153J	R 2172 (B,159,107)	RS1/16SS0R0J
	R 1727 (A,123,97)	RS1/16SS153J	R 2173 (B,172,103)	RS1/16SS394J
	R 1729 (A,135,94)	RS1/16SS102J	R 2174 (B,171,104)	RS1/16SS204J
	R 1730 (A,134,98)	RS1/16SS472J	R 2177 (B,166,113)	RS1/16SS0R0J
	R 1731 (A,130,97)	RS1/16SS153J	R 2178 (B,164,113)	RS1/16SS0R0J
	R 1732 (A,133,112)	RS1/16SS153J		
	R 1733 (A,124,107)	RS1/16SS273J	R 3621 (B,29,35)	RS1/16SS750J
	R 1734 (A,126,107)	RS1/16SS273J	R 3641 (B,81,42)	RS1/16SS223J
	R 1735 (A,125,115)	RS1/16SS153J	R 3642 (B,61,40)	RS1/16SS223J
	R 1736 (A,133,113)	RS1/16SS473J	R 3643 (B,86,38)	RS1/16SS750J
D	R 1737 (A,123,114)	RS1/16SS153J	R 3661 (B,108,39)	RAB4CQ750J
	R 1738 (A,124,115)	RS1/16SS153J	R 3662 (B,114,33)	RS1/16SS223J
	R 1739 (A,123,112)	RS1/16SS153J	R 3663 (B,113,32)	RS1/16SS223J
	R 1740 (A,123,107)	RS1/16SS153J	R 3664 (B,113,27)	RS1/16SS562J
	R 1763 (A,100,72)	RS1/16SS103J	R 3665 (A,115,41)	RS1/10SR102J
	R 1764 (A,109,80)	RS1/16SS0R0J	R 3666 (A,116,40)	RS1/10SR102J
	R 1782 (B,78,26)	RS1/16SS0R0J	R 3668 (A,121,38)	RS1/10SR471J
	R 1822 (A,88,96)	RS1/16SS823J	R 3669 (A,122,39)	RS1/10SR471J
	R 1823 (A,90,96)	RS1/16SS103J	R 3677 (B,111,28)	RS1/16SS272J
	R 1824 (A,86,97)	RS1/16SS153J	R 3678 (B,111,27)	RS1/16SS272J
E	R 1902 (A,93,76)	RS1/16SS0R0J	R 3731 (B,136,46)	RS1/10SR102J
	R 1952 (B,149,66)	RS1/16SS561J	R 3732 (B,136,44)	RS1/10SR102J
	R 1953 (B,150,67)	RS1/16SS3302D		
	R 1954 (B,150,65)	RS1/16SS4301D		
	R 1955 (B,150,64)	RS1/16SS3601D		
	R 1956 (B,150,68)	RS1/16SS123J		
	R 1957 (B,159,63)	RS1/16SS103J		
	R 1959 (B,160,75)	0.011 ohm CCN1341		
	R 1960 (B,163,64)	RS1/16SS204J		
	R 1961 (B,163,63)	RS1/16SS394J		
	R 1962 (B,154,75)	0.012 ohm CCN1321		
F	R 1963 (B,157,63)	RS1/16SS224J		
	R 1964 (B,165,67)	RS1/16SS472J		
	R 1965 (B,165,64)	RS1/16SS1101D		
	R 1966 (B,167,64)	RS1/16SS3000D		

CAPACITORS

C 101	(B,125,69)	CKSSYB104K10
C 102	(B,125,70)	CKSSYB104K10
C 103	(B,125,71)	CKSSYB104K10
C 104	(B,125,72)	CKSSYB104K10
C 105	(B,125,73)	CKSSYB104K10
C 106	(B,125,74)	CKSSYB104K10
C 107	(B,125,75)	CKSSYB104K10
C 108	(B,125,76)	CKSSYB104K10
C 109	(B,125,79)	CKSSYB104K10
C 110	(B,127,81)	10 uF CCG1192

5		6		7		8	
<u>Circuit Symbol and No.</u>		<u>Part No.</u>		<u>Circuit Symbol and No.</u>		<u>Part No.</u>	
C 111	(B,126,83)	CKSSYB104K10		C 289	(B,130,100)	CCSSCH102J50	
C 112	(B,125,83)	CKSSYB104K10		C 302	(A,109,105)	CKSRYB104K16	
C 113	(B,128,66) 10 uF	CCG1192		C 304	(A,109,108)	CKSRYB104K16	
C 114	(B,126,67)	CKSSYB104K10		C 305	(A,113,111)	CKSRYB104K16	A
C 115	(B,130,83)	CKSRYB104K16		C 307	(B,74,123)	CCSSCH101J50	
C 116	(B,130,81) 10 uF	CCG1192		C 308	(B,74,122)	CCSSCH100D50	
C 117	(B,133,80)	CKSRYB104K16		C 311	(A,85,89) Capacitor	CEHW101M16	
C 118	(B,134,81) 10 uF	CCG1192		C 321	(B,83,107)	CKSRYB105K16	
C 119	(B,140,70)	CKSRYB105K10		C 341	(A,95,111) 0.22 uF	CCG1313	
C 120	(B,140,71)	CKSRYB105K10		C 342	(A,92,111) 0.22 uF	CCG1313	
C 121	(B,140,73)	CKSRYB105K10		C 343	(A,102,112) 0.22 uF	CCG1313	
C 122	(B,140,74)	CKSRYB105K10		C 344	(A,99,112) 0.22 uF	CCG1313	
C 123	(B,140,75)	CKSRYB105K10		C 349	(A,105,112) 1 uF	CCG1325	
C 124	(B,140,77)	CKSRYB105K10		C 350	(A,88,110) 10 uF/16 V	CCH1998	
C 125	(B,140,78)	CKSRYB105K10		C 352	(B,74,121)	CKSRYB104K16	B
C 126	(B,140,79)	CKSRYB105K10		C 454	(A,30,96) (A,E)	CCSSCK2R0C50	
C 127	(B,140,81)	CKSRYB105K10		C 455	(A,23,96) (A,E)	CCSSCJ3R0C50	
C 128	(B,132,66)	CKSRYB105K10		C 456	(B,24,83) (A)	CCSSCH5R0C50	
C 129	(B,129,66)	CKSRYB105K10		C 458	(B,35,88) (A,E)	CCSSCH5R0C50	
C 130	(B,122,77)	CKSSYB104K10		C 459	(B,31,82) (A,E)	CCSSCH4R0C50	
C 131	(B,125,77)	CKSSYB104K10		C 460	(B,33,82) (A,E)	CCSSCH4R0C50	
C 132	(B,133,66)	CKSRYB105K10		C 461	(B,29,84) (A,E)	CCSSCH4R0C50	
C 133	(B,136,65)	CKSRYB105K10		C 509	(A,43,93)	CCSSCH330J50	
C 134	(B,139,67)	CKSRYB105K10		C 510	(A,45,93)	CCSSCH6R0D50	
C 135	(B,141,67)	CKSRYB105K10		C 512	(A,32,96)	CKSRYB103K50	C
C 136	(B,140,69)	CKSRYB105K10		C 513	(A,48,93)	CKSSYB103K16	
C 137	(B,131,66)	CKSRYB105K10		C 514	(A,40,88)	CKSSYB104K10	
C 138	(B,135,66)	CKSRYB105K10		C 515	(A,37,87)	CKSSYB104K10	
C 139	(B,134,83)	CCSSCH102J50		C 517	(A,48,90)	CKSSYB103K16	
C 201	(B,129,103)	CKSSYB222K50		C 518	(A,46,85)	CKSSYB103K16	
C 203	(B,126,103) 2.2 uF	CCG1218		C 519	(A,39,87)	CKSSYB104K10	
C 251	(B,116,107)	CCSSCH100D50		C 520	(A,33,90) (A,E)	CCSSCJ3R0C50	
C 252	(B,110,94)	CCSSCH101J50		C 521	(A,39,86)	CKSSYB103K16	
C 253	(B,113,103)	CKSRYB105K10		C 522	(A,36,87)	CKSSYB103K16	
C 254	(B,112,106)	CCSQCH223J50		C 523	(A,35,87) 10 uF	CCG1192	
C 255	(B,114,106)	CCSQCH223J50		C 524	(A,33,86)	CKSSYB223K16	D
C 256	(B,116,105)	CKSRYB105K10		C 525	(A,41,90)	CKSRYB105K10	
C 260	(B,122,105)	CKSRYB105K10		C 527	(A,42,86)	CKSSYB103K16	
C 261	(B,123,105)	CKSRYB105K10		C 529	(A,38,92) 10 uF	CCG1192	
C 262	(B,127,98)	CCSSCH101J50		C 530	(A,30,83) 10 uF	CCG1192	
C 263	(B,130,99)	CKSRYB104K16		C 531	(A,33,83) (A,E)	CCSSCJ3R0C50	
C 264	(B,127,100)	CKSRYB474K10		C 538	(A,31,82)	CKSSYB104K10	
C 265	(B,135,98) 10 uF	CCG1192		C 539	(A,29,81)	CCSSCH101J50	
C 266	(B,126,96)	CCSSCH101J50		C 540	(A,35,85)	CKSSYB104K10	
C 267	(B,129,95) 10 uF	CCG1192		C 541	(A,28,81)	CKSSYB103K16	
C 269	(B,113,87)	CKSRYB105K10		C 542	(A,32,79)	CCSSCH820J50	
C 270	(B,114,87)	CKSRYB105K10		C 543	(A,31,76) (A,E)	CKSSYB104K10	E
C 271	(B,116,87)	CKSRYB105K10		C 544	(A,30,73) 2.2 uF	CCG1218	
C 272	(B,117,87)	CKSRYB105K10		C 545	(A,32,77)	CCSSCH101J50	
C 275	(B,117,85)	CCSSCH100D50		C 547	(A,31,72)	CKSSYB104K10	
C 276	(B,124,87)	CKSSYB104K10		C 548	(A,34,70)	CKSSYB104K10	
C 277	(B,130,92) 10 uF	CCG1192		C 549	(A,33,70)	CKSSYB104K10	
C 278	(B,108,100)	CCSRCH102J50		C 550	(A,29,75)	CKSSYB104K10	
C 279	(B,111,101)	CKSRYB105K10		C 553	(A,32,72) (A,E)	CCSSCH220J50	
C 281	(B,111,95)	CCSSCH101J50		C 554	(A,34,73)	CKSSYB102K50	
C 282	(B,105,93)	CCSRCH102J50		C 555	(A,38,71)	CKSSYB104K10	
C 283	(B,109,93) 10 uF	CCG1192		C 556	(A,48,83) (A,E)	CCSSCH220J50	F
C 284	(B,108,98) 10 uF	CCG1192		C 557	(A,52,85)	CKSRYB224K16	
C 286	(B,103,94)	CKSSYB104K16		C 558	(A,48,81)	CKSSYB224K6R3	
C 287	(B,127,96)	CCSSCH102J50		C 559	(A,51,82)	CKSRYB105K10	

1

2

3

4

Circuit Symbol and No.Part No.Circuit Symbol and No.Part No.

	C 560	(A,50,79) (A,E)	CCSSCH100D50				
	C 561	(A,52,80) (A,E)	CCSSCH100D50	C 1057	(B,72,46) 10 uF	CCG1192	
	C 562	(A,53,80)	CKSSYB472K25	C 1058	(B,74,45)	CKSSYB102K50	
A	C 563	(A,51,79)	CKSSYB472K25	C 1059	(B,90,45)	CKSSYB104K10	
	C 564	(A,52,78)	CCSSCH100D50	C 1060	(B,73,45)	CKSSYB103K16	
				C 1061	(B,90,43)	CKSSYB104K10	
	C 565	(A,48,78)	CKSSYB104K10				
	C 566	(A,52,73)	CCSSCH100D50	C 1062	(B,70,46)	CKSRYB105K10	
	C 568	(A,46,71) 2.2 uF	CCG1218	C 1063	(B,72,42) 10 uF	CCG1192	
	C 569	(A,46,72) (A,E)	CCSRCH220J50	C 1064	(B,74,42)	CKSSYB104K10	
	C 570	(A,46,70)	CKSSYB104K10	C 1065	(B,74,40)	CKSSYB104K10	
				C 1066	(B,90,41)	CKSSYB104K10	
	C 571	(A,43,70) 2.2 uF	CCG1218				
	C 573	(A,44,71)	CKSSYB104K10	C 1067	(B,73,39)	CKSSYB104K10	
	C 574	(A,48,75) (A,E)	CCSSCH220J50	C 1068	(B,90,39)	CKSSYB104K10	
	C 601	(A,62,43)	CKSSYB104K10	C 1069	(B,90,37)	CKSSYB104K10	
B	C 602	(A,65,43)	CKSSYB104K10	C 1070	(B,73,35)	CCSSCH5R0C50	
	C 603	(B,58,44)	CKSSYB331K50	C 1071	(B,68,35)	CCSSCH5R0C50	
	C 604	(A,63,68)	CKSSYB104K16	C 1072	(B,74,29) 10 uF	CCG1192	
	C 606	(A,71,54)	CCSSCH8R0D50	C 1073	(B,79,33)	CKSSYB104K10	
	C 607	(A,68,57)	CCSSCH100D50	C 1074	(B,81,33)	CKSSYB104K10	
	C 608	(A,68,60)	CKSSYB104K10	C 1075	(B,74,32)	CKSSYB103K16	
	C 610	(B,64,56)	CKSSYB104K10	C 1076	(B,71,29) 10 uF	CCG1192	
	C 612	(B,65,59)	CKSSYB102K50	C 1078	(B,86,54)	CKSRYB105K10	
	C 613	(A,44,54)	CKSSYB104K10	C 1079	(B,89,54)	CKSRYB105K10	
	C 614	(A,57,73)	CKSSYB103K16	C 1080	(B,85,50)	CKSSYB103K16	
	C 615	(A,57,74) 0.1 uF	CCG1321	C 1081	(B,85,49)	CKSSYB102K50	
C	C 619	(A,73,63)	CKSSYB105K6R3	C 1082	(B,83,54)	CKSRYB105K10	
	C 620	(A,68,59)	CKSSYB105K6R3	C 1083	(B,79,55)	CKSRYB105K10	
	C 621	(A,57,72)	CCSSCH102J50	C 1085	(B,76,34) (A,E)	CCSSCH5R0C50	
	C 751	(B,49,22)	CKSSYB104K10	C 1101	(B,135,38)	CKSSYB104K10	
	C 753	(B,47,19) 10 uF	CCG1192	C 1102	(B,131,33)	CKSSYB104K10	
	C 754	(B,52,17) 10 uF	CCG1192	C 1103	(B,127,33)	CKSSYB104K10	
	C 756	(A,133,65)	CKSSYB104K10	C 1104	(B,123,33)	CKSSYB104K10	
	C 801	(A,76,98)	XCEHAT332M16	C 1105	(B,110,38)	CKSSYB104K10	
	C 821	(A,49,104)	CKSRYB104K50	C 1106	(B,129,49)	CKSSYB104K10	
	C 831	(B,63,78)	CKSRYB104K50	C 1107	(B,125,49)	CKSSYB104K10	
D	C 841	(B,68,76)	CKSRYB105K10	C 1108	(B,120,49)	CCSSCH470J50	
	C 861	(A,54,102)	CKSRYB104K50	C 1152	(B,98,49) 10 uF	CCG1192	
	C 1001	(B,88,61)	CKSSYB104K10	C 1153	(B,104,55)	CKSSYB104K10	
	C 1002	(B,85,61)	CKSSYB104K10	C 1154	(B,102,56) 10 uF	CCG1192	
	C 1003	(B,81,61)	CKSSYB104K10	C 1155	(B,98,53)	CKSSYB182K50	
	C 1004	(B,77,61)	CKSSYB104K10	C 1156	(B,109,54)	CKSSYB182K50	
	C 1005	(B,89,65)	CKSSYB104K10	C 1201	(B,109,38)	CKSSYB104K10	
	C 1006	(B,93,67) 10 uF	CCG1192	C 1202	(B,109,39)	CKSSYB102K50	
	C 1007	(B,85,65)	CKSSYB104K10	C 1251	(B,139,53)	CKSSYB104K10	
	C 1008	(B,80,65)	CKSSYB104K10	C 1301	(A,96,25)	CKSSYB104K16	
	C 1009	(B,76,65)	CKSSYB104K10	C 1302	(A,100,25)	CKSSYB104K16	
E	C 1010	(B,90,71)	CKSRYB105K10	C 1303	(A,103,26)	CKSSYB104K16	
	C 1011	(B,88,71)	CKSRYB105K10	C 1304	(A,106,25)	CKSSYB104K16	
	C 1012	(B,86,71)	CKSRYB105K10	C 1305	(A,108,24)	CKSSYB104K16	
	C 1013	(B,85,71)	CKSRYB105K10	C 1306	(A,110,25)	CKSSYB104K16	
	C 1014	(B,83,72)	CKSRYB105K10	C 1307	(A,114,25)	CKSSYB104K16	
	C 1015	(B,81,71)	CKSRYB105K10	C 1308	(A,117,25)	CKSSYB104K16	
	C 1016	(B,79,71)	CKSRYB105K10	C 1309	(B,109,43)	CCSSCH470J50	
	C 1017	(B,78,71)	CKSRYB105K10	C 1310	(A,124,30)	CKSSYB104K16	
	C 1018	(B,76,71)	CKSRYB105K10	C 1311	(A,124,32)	CKSSYB104K16	
	C 1051	(B,82,50)	CKSSYB474K6R3	C 1312	(A,124,34)	CKSSYB104K16	
F	C 1052	(B,83,50)	CKSSYB474K6R3	C 1313	(A,125,36)	CKSSYB104K16	
	C 1053	(B,83,48)	CKSSYB474K6R3	C 1314	(A,124,38)	CKSSYB104K16	
	C 1054	(B,79,50)	CKSSYB103K16	C 1315	(A,124,40)	CKSSYB104K16	
	C 1055	(B,79,49)	CKSSYB102K50	C 1316	(A,124,41)	CKSSYB104K16	
	C 1056	(B,81,50)	CKSSYB103K25	C 1317	(A,125,43)	CKSSYB104K16	

1

2

3

4

5		6		7		8	
<u>Circuit Symbol and No.</u>		<u>Part No.</u>		<u>Circuit Symbol and No.</u>		<u>Part No.</u>	
C 1318	(A,124,46)	CKSSYB104K16		C 1380	(A,81,54)	CCSSCH560J50	
C 1319	(A,124,49)	CKSSYB104K16		C 1382	(A,86,26)	CCSSCH150J50	
C 1320	(B,122,52)	CKSSYB104K16		C 1383	(A,86,33)	CCSSCH6R0D50	A
C 1321	(B,122,53)	CKSSYB104K16		C 1384	(A,110,60)	CKSSYB105K6R3	
C 1322	(A,123,54)	CKSSYB104K16		C 1386	(B,139,48)	CCSRCH102J50	
C 1323	(A,125,57)	CKSSYB104K16		C 1387	(B,108,26)	CCSRCH331J50	
C 1324	(A,94,60)	CKSSYB104K16		C 1388	(B,136,48)	CCSRCH331J50	
C 1325	(A,96,60)	CKSSYB104K16		C 1389	(B,110,26)	CCSRCH102J50	
C 1326	(A,101,59)	CKSSYB104K16		C 1390	(A,90,31) (A,E)	CCSSCH100D50	
C 1327	(A,102,60)	CKSSYB104K16		C 1601	(A,156,105)	CKSRYB104K50	
C 1328	(B,105,57)	CKSSYB104K16		C 1607	(A,46,112) (A,E)	CCSRCH270J50	
C 1329	(B,106,57)	CKSSYB104K16		C 1608	(A,36,115) (A,E)	CCSRCH270J50	
C 1330	(A,105,60)	CKSSYB104K16		C 1609	(A,42,115) (A,E)	CCSRCH270J50	
C 1331	(B,107,57)	CKSSYB104K16		C 1610	(A,32,111) (A,E)	CCSRCH270J50	B
C 1332	(A,109,60)	CKSSYB104K16		C 1611	(A,40,110) (A,E)	CCSRCH270J50	
C 1333	(A,113,60)	CKSSYB104K16		C 1612	(A,27,115) (A,E)	CCSRCH270J50	
C 1334	(B,111,57)	CKSSYB104K16		C 1621	(B,139,111)	CKSRYB104K50	
C 1335	(A,114,60)	CKSSYB104K16		C 1622	(B,120,110)	CKSRYB104K50	
C 1336	(A,106,63)	CKSSYB105K6R3		C 1624	(B,131,111)	CKSRYB104K50	
C 1337	(A,103,63)	CCSSCH100D50		C 1631	(B,45,107) 4.7 uF	CCG1201	
C 1338	(A,102,67)	CCSSCH100D50		C 1632	(B,39,107) 4.7 uF	CCG1201	
C 1339	(A,110,64)	CCSSCH120J50		C 1633	(B,43,107) 4.7 uF	CCG1201	
C 1340	(A,116,65)	CCSSCH120J50		C 1634	(B,37,107) 4.7 uF	CCG1201	
C 1341	(B,93,22)	CKSSYB104K10		C 1635	(B,41,107) 4.7 uF	CCG1201	
C 1342	(B,92,32)	CKSSYB104K16		C 1636	(B,35,107) 4.7 uF	CCG1201	C
C 1343	(B,92,33)	CKSSYB104K16		C 1661	(B,126,13)	CKSSYB471K50	
C 1344	(B,92,37)	CKSSYB104K16		C 1701	(B,65,25)	CKSSYB471K50	
C 1345	(B,92,38)	CKSSYB104K16		C 1702	(B,63,25)	CKSSYB104K10	
C 1346	(B,92,41)	CKSSYB104K16		C 1703	(A,83,32)	CKSSYB104K16	
C 1347	(B,92,42)	CKSSYB104K16		C 1704	(B,78,29)	CKSSYB104K10	
C 1348	(B,92,45)	CKSSYB104K16		C 1721	(A,122,101)	CCSSCH101J50	
C 1349	(B,92,46)	CKSSYB104K16		C 1722	(A,130,93)	CKSRYB105K10	
C 1350	(B,92,49)	CKSSYB104K16		C 1723	(A,134,100)	CKSRYB105K10	
C 1351	(A,84,49)	CCSSCH120J50		C 1724	(A,131,100)	CCSSCH101J50	
C 1352	(B,92,50)	CKSSYB104K16		C 1725	(A,127,103)	CKSSYB104K10	
C 1353	(A,89,50)	CCSSCH120J50		C 1731	(A,126,104) 2.2 uF	CCG1218	
C 1354	(B,93,51)	CKSSYB104K16		C 1732	(A,124,104) 2.2 uF	CCG1218	
C 1355	(B,108,22)	CKSSYB103K16		C 1733	(A,127,110)	CKSSYB104K10	
C 1356	(B,138,46)	CKSSYB103K16		C 1734	(A,124,112)	CCSSCH101J50	
C 1357	(B,106,25) 10 uF	CCG1192		C 1735	(A,123,104) 2.2 uF	CCG1218	
C 1358	(B,139,45) 10 uF	CCG1192		C 1801	(A,64,76) Capacitor	CEHVW470M16	
C 1360	(A,88,30)	CCSSCH470J50		C 1802	(B,57,85)	CKSSYB104K10	
C 1361	(B,101,34)	CCSSCH560J50		C 1803	(B,63,82)	CKSRYB104K50	
C 1362	(A,84,34)	CCSSCH560J50		C 1804	(A,75,86)	XCEHAT102M16	
C 1363	(A,83,34)	CCSSCH560J50		C 1821	(A,101,99) Capacitor	CEHVW101M16	
C 1364	(A,82,35)	CCSSCH560J50		C 1822	(A,84,102)	CKSRYB105K16	E
C 1365	(A,86,37)	CCSSCH560J50		C 1901	(B,35,62) 10 uF	CCG1192	
C 1366	(A,84,37)	CCSSCH560J50		C 1902	(B,32,61)	CKSRYB105K10	
C 1367	(A,83,38)	CCSSCH560J50		C 1951	(B,150,66)	CCSSCH471J50	
C 1368	(A,81,38)	CCSSCH560J50		C 1952	(B,150,69)	CKSSYB103K16	
C 1369	(A,82,41)	CCSSCH560J50		C 1953	(B,152,68)	CCSSCH8R0D50	
C 1370	(A,82,40)	CCSSCH560J50		C 1954	(B,164,68)	CCSSCH8R0D50	
C 1371	(A,80,41)	CCSSCH560J50		C 1955	(B,165,68)	CKSSYB103K16	
C 1372	(A,80,42)	CCSSCH560J50		C 1956	(B,165,65)	CCSSCH102J50	
C 1373	(A,79,42)	CCSSCH560J50		C 1957	(A,163,39)	CKSSYB102K50	
C 1374	(A,77,42)	CCSSCH560J50		C 1958	(A,163,40)	CKSSYB104K10	
C 1375	(A,81,46)	CCSSCH560J50		C 1959	(A,162,42) 10 uF	CCG1236	F
C 1376	(A,79,46)	CCSSCH560J50		C 1960	(A,162,44) 10 uF	CCG1236	
C 1377	(A,81,50)	CCSSCH560J50		C 1961	(A,162,47) 47 uF	CCG1229	
C 1379	(A,81,52)	CCSSCH560J50		C 1963	(B,159,73)	CKSRYB473K50	

Circuit Symbol and No.Part No.Circuit Symbol and No.Part No.

C	1964	(B,156,73)	CKSRYB102K50
C	1965	(B,157,82) 10 uF	CCG1236
C	1966	(B,158,63)	CKSSYB104K10
C	1967	(B,157,79) 10 uF	CCG1236
C	1968	(B,157,77) 10 uF	CCG1236

C	1969	(B,164,69)	CKSSYB104K16
C	1970	(B,152,70)	CKSSYB104K16
C	1971	(B,156,63)	CKSSYB104K10
C	1972	(B,152,66)	CKSRYB105K10
C	1974	(A,152,48) 47 uF	CCG1229

C	1975	(B,158,86)	CKSRYB102K50
C	1976	(A,152,45) 10 uF	CCG1236
C	1977	(B,157,84) 10 uF	CCG1236
C	1978	(A,152,43) 10 uF	CCG1236
C	1979	(A,164,83)	XCEHAT332M16

C	1980	(A,151,41)	CKSSYB104K10
C	1981	(A,151,40)	CKSSYB102K50
C	2011	(B,109,15)	CKSRYB105K10
C	2012	(B,122,12)	CKSRYB105K10
C	2023	(B,85,25) 10 uF	CCG1192

C	2031	(B,76,23)	CKSRYB105K10
C	2032	(B,80,25)	CKSRYB105K10
C	2071	(A,147,38)	CKSSYB104K10
C	2083	(A,21,15)	CKSSYB104K10
C	2101	(A,157,90)	CKSSYB103K16

C	2102	(A,156,88) 10 uF	CCG1236
C	2105	(B,168,100)	CKSSYB682K25
C	2106	(B,163,91)	CKSSYB103K16
C	2107	(B,159,94) 10 uF	CCG1236
C	2108	(B,158,92)	CKSSYB103K25

C	2109	(A,154,82) Capacitor	CEVW470M16
C	2151	(A,50,23)	CKSRYB104K16
C	2152	(A,140,85) (A,E)	CKSSYB102K50
C	2161	(B,170,103)	CKSSYB104K16
C	2162	(B,158,104) 10 uF	CCG1236

C	2163	(A,165,118) Capacitor	CEHVW101M16
C	2164	(B,167,113)	CKSRYB105K10
C	2165	(B,172,113)	CKSSYB102K50
C	2166	(B,170,113)	CKSSYB472K25
C	2167	(B,171,106)	CKSSYB104K16

C	2168	(B,163,113)	CCSSCH471J50
C	2169	(B,157,109)	CKSSYB222K50
C	2170	(B,158,109)	CCSSCH270J50
C	2172	(A,164,110) Capacitor	CEHVW470M16
C	2173	(B,160,108)	CKSSYB104K16

C	2185	(A,156,107)	CKSSYB104K16
C	2186	(A,159,106) 22 uF	DCH1256
C	3601	(B,117,34) 2.2 uF	CCG1218
C	3602	(B,117,32) 2.2 uF	CCG1218
C	3603	(B,117,30) 2.2 uF	CCG1218
C	3604	(B,117,28) 2.2 uF	CCG1218
C	3605	(B,117,26) 2.2 uF	CCG1218

C	3641	(B,80,35)	CKSRYB104K50
C	3642	(B,70,21)	CKSRYB104K50
C	3721	(B,106,30)	CKSRYB102K50
C	3722	(A,118,35)	CKSRYB102K50
C	3723	(A,119,39)	CKSRYB102K50

C	3724	(A,116,44)	CKSRYB102K50
C	3725	(A,120,44)	CCSRCH180J50
C	3726	(A,123,43)	CCSRCH180J50



Unit Number : YWX5032

Unit Name : DVD Core Unit

MISCELLANEOUS

IC 1002	(B,15,13) Regulator IC	S-1133B50-U5
IC 1003	(B,37,11) IC	S-1200B50-M5
IC 1004	(B,64,28) IC	NJM2855DL1-33
IC 1251	(A,12,42) IC	BA5839FP
IC 1401	(B,27,41) Flash ROM Unit	CWW5043
IC 1402	(B,45,28) Flash ROM Unit	CWW5044
IC 1480	(A,64,30) SDRAM(16M)	M12L64164A-5TG2M
IC 1501	(A,39,33) IC	MN2DS0018MA
IC 1801	(B,34,16) D/A Converter	PCM1753DBQ
IC 1951	(A,28,49) Logic IC	TC7SZU04FU
IC 1953	(B,57,17) IC	S-1135D12-A6
Q 1101	(B,13,59) Transistor	LSC4081UB
Q 1102	(B,13,56) Transistor	LSC4081UB
Q 1103	(B,10,63) Transistor	2SB1132
Q 1104	(B,22,54) Transistor	2SB1132
D 1901	(B,50,10) Diode	RKZ6.8TKJ
D 1902	(B,50,9) Diode	RKZ6.8TKJ
L 1501	(A,54,31) Inductor	CTF1743
L 1511	(A,48,17) Chip Beads	VTL1126
L 1902	(A,17,17) Inductor	CTF1487
L 1903	(B,63,16) Inductor	CTF1558
L 1904	(A,68,18) Ferrite Bead	CTF1528
X 1501	(B,48,18) Oscillator 27.000 MHz	CSS1823
X 1950	(A,23,51) Oscillator 48.000 MHz	CSS1760
F 1001	(A,14,19) Chip EMI Filter	DTF1106
F 1002	(B,63,18) Chip EMI Filter	DTL1106
S 1	(A,47,55) Spring Switch(HOME)	CSN1080
S 3	(B,25,13) Spring Switch(12EJ)	CSN1081
VR1101	(A,7,63) Semi-fixed 6.8 kohm(B)	CCP1447
VR1102	(A,7,60) Semi-fixed 15 kohm(B)	CCP1449
CN1101	(A,21,63) Connector	CKS6331
CN1952	(A,42,11) Connector	CKS6025

RESISTORS

R 1004	(B,12,20)	RS1/16SS4702D
R 1007	(B,12,21)	RS1/16SS6801D
R 1019	(B,34,7)	RS1/16SS101J
R 1025	(B,36,6)	RS1/16SS101J
R 1027	(A,40,18)	RS1/16SS101J
R 1101	(B,15,57)	RS1/16SS104J
R 1102	(B,10,56)	RS1/16SS104J
R 1103	(B,14,61)	RS1/16SS4300F
R 1104	(B,11,59)	RS1/16SS5100F
R 1105	(B,17,54)	RS1/16SS4300F
R 1106	(B,10,57)	RS1/16SS5600F
R 1109	(B,6,57)	RS1/16SS3R3J
R 1110	(B,16,54)	RS1/16SS3R3J
R 1111	(B,6,63)	RS1/10SR3R3J
R 1112	(B,5,58)	RS1/10SR3R3J
R 1113	(B,15,59)	RS1/10SR3R9J
R 1114	(B,19,57)	RS1/10SR3R3J

5		6		7		8	
<u>Circuit Symbol and No.</u>		<u>Part No.</u>		<u>Circuit Symbol and No.</u>		<u>Part No.</u>	
R 1115	(B,6,61)	RS1/10SR2R7J		R 1538	(A,55,35)	RS1/16SS104J	
R 1116	(B,6,62)	RS1/10SR2R7J		R 1539	(B,33,48)	RS1/16SS104J	
R 1117	(B,17,59)	RS1/10SR3R9J		R 1540	(A,26,46)	RS1/16SS221J	
R 1118	(B,16,59)	RS1/10SR3R9J		R 1541	(A,26,45)	RS1/16SS221J	A
R 1223	(A,42,50)	RS1/16SS561J		R 1542	(B,26,34)	RS1/16SS103J	
R 1225	(B,29,8)	RS1/16SS471J		R 1543	(A,32,48)	RS1/16SS181J	
R 1251	(A,5,48)	RS1/16SS333J		R 1544	(A,36,48)	RS1/16SS181J	
R 1252	(A,5,47)	RS1/16SS473J		R 1546	(A,33,49)	RS1/16SS682J	
R 1253	(A,5,46)	RS1/16SS333J		R 1601	(A,32,17)	RS1/16SS123J	
R 1254	(A,5,45)	RS1/16SS473J		R 1602	(A,32,18)	RS1/16SS123J	
R 1255	(A,21,48)	RS1/16SS183J		R 1603	(B,31,21)	RS1/16SS1002D	
R 1256	(A,21,46)	RS1/16SS752J		R 1604	(A,23,21)	RS1/16SS105J	
R 1257	(B,8,37)	RS1/16SS221J		R 1605	(A,22,23)	RS1/16SS105J	
R 1258	(A,19,39)	RS1/16SS221J		R 1670	(B,40,21)	RS1/16SS1002D	B
R 1401	(B,34,28)	RS1/16SS221J		R 1671	(B,42,19)	RS1/16SS2402D	
R 1402	(B,34,47)	RS1/16SS104J		R 1672	(A,39,18)	RS1/16SS2000D	
R 1405	(B,55,35)	RS1/16SS104J		R 1674	(A,36,17)	RS1/16SS3002D	
R 1406	(B,39,45)	RS1/16SS472J		R 1801	(B,41,8)	RS1/16SS104J	
R 1480	(A,72,24)	RAB4CQ560J		R 1802	(B,43,8)	RS1/16SS104J	
R 1481	(A,72,28)	RAB4CQ560J		R 1803	(B,37,13)	RS1/16SS821J	
R 1482	(A,72,32)	RAB4CQ560J		R 1804	(B,39,14)	RS1/16SS821J	
R 1483	(A,72,35)	RAB4CQ560J		R 1950	(A,44,18)	RS1/10SR24R0F	
R 1484	(A,72,39)	RAB4CQ560J		R 1951	(A,42,18)	RS1/10SR24R0F	
R 1485	(A,55,22)	RAB4CQ560J		R 1952	(A,26,50)	RS1/16SS105J	
R 1486	(A,55,28)	RAB4CQ560J		R 1953	(A,26,51)	RS1/16SS821J	C
R 1487	(A,56,37)	RAB4CQ560J		R 1954	(A,48,5)	RS1/16SS153J	
R 1488	(A,55,40)	RAB4CQ560J		R 1955	(A,50,5)	RS1/16SS153J	
R 1489	(A,54,30)	RS1/16SS560J		R 1982	(A,10,62)	RS1/16SS822J	
R 1490	(A,72,21)	RS1/16SS560J		R 1983	(B,40,20)	RS1/16SS1000D	
R 1501	(B,48,21)	RS1/16SS122J		R 1987	(B,43,21)	RS1/16SS0R0J	
R 1503	(B,46,21)	RS1/16SS105J		<u>CAPACITORS</u>			
R 1504	(A,50,17)	RS1/16SS121J		C 1001	(B,34,10)	CKSRYB105K10	
R 1505	(B,45,15)	RS1/16SS101J		C 1002	(B,12,17)	CKSSYB104K16	
R 1506	(B,45,14)	RS1/16SS101J		C 1003	(B,15,19)	CKSSYB104K16	D
R 1507	(B,43,17)	RS1/16SS101J		C 1004	(B,15,17) 4.7 uF	CCG1201	
R 1508	(B,42,18)	RS1/16SS221J		C 1005	(B,40,11)	CKSRYB105K16	
R 1509	(A,20,34)	RS1/16SS102J		C 1010	(B,60,23)	CKSQYB225K10	
R 1510	(A,11,29)	RS1/16SS102J		C 1011	(B,64,22)	CKSRYB105K10	
R 1512	(A,55,32)	RS1/16SS470J		C 1015	(A,25,7)	CKSSYB102K50	
R 1513	(A,23,38)	RS1/16SS103J		C 1016	(B,64,15)	CKSSYB102K50	
R 1514	(A,24,40)	RS1/16SS183J		C 1018	(B,14,21)	CKSSYB104K10	
R 1516	(A,24,36)	RS1/16SS104J		C 1040	(B,51,7)	CCSRCH821J50	
R 1517	(B,57,22)	RS1/16SS103J		C 1041	(B,19,11)	CCSRCH271J50	
R 1518	(B,33,31)	RS1/16SS103J		C 1101	(B,14,53) 10 uF	CCG1192	
R 1519	(A,24,43)	RS1/16SS102J		C 1104	(B,7,57)	CKSSYB104K10	
R 1522	(A,21,37)	RS1/16SS104J		C 1105	(B,18,54)	CKSSYB104K10	E
R 1523	(A,22,37)	RS1/16SS221J		C 1106	(B,8,66)	CKSSYB103K16	
R 1524	(B,29,33)	RS1/16SS472J		C 1107	(B,25,53)	CKSSYB103K16	
R 1525	(A,24,44)	RS1/16SS103J		C 1108	(A,19,57)	CKSSYB103K16	
R 1526	(A,22,40)	RS1/16SS103J		C 1109	(A,7,57)	CKSRYB224K16	
R 1527	(A,35,49)	RS1/16SS682J		C 1110	(A,17,58)	CKSSYB103K16	
R 1528	(B,19,34)	RS1/16SS103J		C 1111	(A,9,66)	CKSRYB224K16	
R 1529	(B,35,21)	RS1/16SS103J		C 1112	(B,17,52) 22 uF	DCH1256	
R 1530	(B,17,34)	RS1/16SS103J		C 1113	(B,8,58) 22 uF	DCH1256	
R 1531	(B,33,30)	RS1/16SS103J		C 1210	(B,77,34)	CKSSYB104K16	
R 1532	(A,24,42)	RS1/16SS101J		C 1251	(B,12,41)	CEVW101M16	F
R 1533	(B,29,48)	RS1/16SS221J		C 1252	(B,7,41) 4.7 uF	CCG1222	
R 1535	(A,22,44)	RS1/16SS104J		C 1253	(B,7,39)	CKSSYB104K16	
R 1536	(B,32,48)	RS1/16SS104J					
R 1537	(A,24,46)	RS1/16SS104J					

	1	2
	<u>Circuit Symbol and No.</u>	<u>Part No.</u>
	C 1254 (A,6,38)	CKSSYB104K16
	C 1255 (A,18,37)	CKSSYB104K16
	C 1401 (B,34,27)	CKSSYB104K16
A	C 1403 (B,39,40)	CKSSYB104K10
	C 1404 (B,40,40) 4.7 uF	CCG1201
	C 1408 (B,57,27)	CKSSYB104K10
	C 1409 (B,58,29) 4.7 uF	CCG1201
	C 1410 (B,33,29)	CKSSYB104K16
	C 1480 (A,71,19)	CKSSYB104K10
	C 1481 (A,72,22)	CKSSYB104K10
	C 1482 (A,72,26)	CKSSYB104K10
	C 1484 (A,72,30)	CKSSYB104K10
	C 1485 (A,72,41)	CKSSYB104K10
B	C 1487 (A,57,29)	CKSSYB104K10
	C 1488 (A,57,25)	CKSSYB104K10
	C 1489 (A,64,17) 10 uF	CCG1192
	C 1490 (A,66,18)	CKSSYB102K50
	C 1501 (B,61,20) 10 uF	CCG1192
	C 1502 (B,54,20) 10 uF	CCG1192
	C 1503 (A,54,33)	CKSSYB104K10
	C 1504 (A,53,24)	CKSSYB104K10
	C 1505 (A,53,27)	CKSSYB104K10
	C 1506 (B,52,35)	CKSSYB104K10
C	C 1507 (A,53,36)	CKSSYB104K10
	C 1508 (A,53,39)	CKSSYB104K10
	C 1509 (A,53,42)	CKSSYB104K10
	C 1510 (B,51,18)	CCSSCH100D50
	C 1511 (A,48,18)	CKSSYB104K10
	C 1512 (B,45,18)	CCSSCH100D50
	C 1513 (A,48,48)	CKSSYB104K10
	C 1514 (B,45,21)	CKSSYB104K10
	C 1515 (A,45,18)	CKSSYB104K10
	C 1516 (A,43,48)	CKSSYB104K10
D	C 1517 (A,42,48)	CKSSYB104K10
	C 1518 (A,38,48)	CKSSYB104K10
	C 1519 (A,34,47)	CKSSYB104K10
	C 1520 (A,27,47)	CKSSYB104K10
	C 1521 (A,24,34)	CKSSYB104K10
	C 1522 (A,25,38)	CKSSYB104K10
	C 1523 (A,20,46)	CKSSYB224K6R3
	C 1524 (A,20,48)	CKSSYB473K16
	C 1526 (A,24,37)	CKSSYB103K16
	C 1528 (B,30,48)	CCSSCH471J50
E	C 1601 (A,32,19)	CKSSYB103K16
	C 1602 (A,34,17)	CCSSCH101J50
	C 1603 (A,33,18)	CCSSCH101J50
	C 1604 (A,30,17)	CCSSCH680J50
	C 1605 (A,30,18)	CCSSCH680J50
	C 1606 (A,35,19)	CKSSYB104K10
	C 1607 (A,20,24) 10 uF	CCG1192
	C 1608 (A,28,18) 4.7 uF	CCG1201
	C 1609 (A,26,22)	CKSSYB104K10
	C 1612 (A,24,24)	CKSSYB104K10
	C 1613 (A,24,25)	CKSSYB104K10
	C 1614 (A,22,24)	CKSSYB104K10
	C 1615 (A,23,26)	CKSSYB104K10
F	C 1616 (A,24,27)	CKSSYB104K10
	C 1617 (B,27,28)	CKSSYB104K10
	C 1618 (A,22,29)	CCSSCH101J50
	C 1619 (A,23,30)	CKSSYB562K25

	3	4
	<u>Circuit Symbol and No.</u>	<u>Part No.</u>
	C 1620 (B,27,30)	CKSSYB224K6R3
	C 1621 (A,22,31)	CKSSYB224K6R3
	C 1622 (A,24,31)	CKSSYB333K16
	C 1623 (A,27,20)	CKSRYB105K10
	C 1624 (A,24,32)	CKSSYB104K10
	C 1625 (A,24,29)	CKSSYB104K10
	C 1671 (A,41,18)	CKSSYB104K10
	C 1673 (A,37,19)	CKSSYB104K10
	C 1674 (B,42,20)	CKSSYB104K10
	C 1676 (B,38,21)	CKSRYB105K10
	C 1801 (B,42,10) 4.7 uF	CCG1201
	C 1802 (B,46,10) 4.7 uF	CCG1201
	C 1803 (B,42,12)	CCSRCH182J50
	C 1804 (B,45,12)	CCSRCH182J50
	C 1805 (B,34,13)	CKSSYB104K10
	C 1806 (B,32,13) 10 uF	CCG1192
	C 1809 (B,39,16)	CKSSYB104K10
	C 1950 (A,27,51)	CKSSYB104K10
	C 1951 (A,23,54)	CCSSCH100D50
	C 1952 (A,24,48)	CCSSCH100D50
	C 1953 (B,60,17)	CKSRYB105K10
	C 1954 (B,54,17)	CKSRYB105K10
	C 1955 (B,77,40)	CKSSYB104K16

D
Unit Number : CXX5001
Unit Name : Service Unit(Monitor)

MISCELLANEOUS

IC 5101 (A,25,67) IC	R1290K103A
IC 5102 (A,71,40) Regulator IC	S-1155B33-U5
IC 5201 (A,110,69) IC	BD81A04EFV-M
IC 5301 (A,114,26) IC	AK4187VN
Q 5101 (A,30,61) Transistor	LTC014EEB
Q 5103 (A,13,28) Transistor	LSAR523UB
Q 5106 (A,24,76) Transistor	2SA1577
Q 5401 (A,101,42) Chip Transistor	HN1C01FU
Q 5402 (A,99,45) Transistor	LSCR523UB
D 5101 (A,17,71) Diode	RB162M-40
D 5103 (A,32,75) Diode	DB3S308F0
D 5104 (A,34,75) Diode	DB3S308F0
D 5105 (A,34,67) Diode	DB3S308F0
D 5132 (A,72,49) Diode	CRG03
D 5201 (A,111,57) Diode	DB2X41400
L 5001 (A,9,46) Inductor	CTF1635
L 5002 (A,9,52) Inductor	DTL1096
L 5003 (A,21,44) Inductor	DTL1096
L 5004 (A,14,36) Chip Ferrite Bead	BTX1042
L 5101 (A,21,73) Choke Coil 22 uH	CTH1426
L 5102 (A,8,32) Inductor	LCTAW101J2520
L 5202 (A,106,58) Inductor	CTH1526
TH5201 (A,104,15) Thermistor	CCX1058
CN5001 (A,34,32) Connector	CKS6536
CN5202 (A,127,31) Connector	CKS6523
CN5301 (A,121,17) Connector	CKS6327
CN5401 (A,58,69) Connector	CKS6536
CN5402 (A,113,42) Connector	CKS6063

RESISTORS

5		6		7		8	
<u>Circuit Symbol and No.</u>		<u>Part No.</u>		<u>Circuit Symbol and No.</u>		<u>Part No.</u>	
R 5001	(A,60,18)	RS1/16SS4R7J		R 5301	(A,112,18)	RS1/10SR0R0J	
R 5002	(A,62,18)	RS1/16SS56R0D		R 5302	(B,119,21)	RS1/16SS201J	
R 5003	(A,61,20)	RS1/16SS1800D		R 5304	(A,109,27)	RS1/16SS472J	
R 5004	(A,60,21)	RS1/16SS2R2J		R 5305	(A,109,28)	RS1/16SS472J	A
R 5005	(A,61,22)	RS1/16SS47R0D		R 5306	(A,119,25)	RS1/16SS0R0J	
R 5006	(A,60,22)	RS1/16SS0R0J		R 5307	(A,118,25)	RS1/16SS621J	
R 5007	(A,61,23)	RS1/16SS39R0D		R 5308	(A,118,27)	RS1/16SS181J	
R 5008	(A,60,24)	RS1/16SS4R7J		R 5309	(B,110,27)	RS1/16SS101J	
R 5009	(A,61,25)	RS1/16SS1000D		R 5310	(B,117,25)	RS1/16SS0R0J	
R 5010	(A,60,26)	RS1/16SS8R2J		R 5311	(A,109,29)	RS1/16SS101J	
R 5011	(A,61,27)	RS1/16SS1300D		R 5312	(A,119,26)	RS1/16SS620J	
R 5012	(A,60,28)	RS1/16SS0R0J		R 5318	(B,111,24)	RS1/16SS101J	
R 5013	(A,61,29)	RS1/16SS1000D		R 5401	(A,102,45)	RS1/16SS680J	
R 5014	(A,60,30)	RS1/16SS8R2J		R 5402	(A,103,45)	RS1/16SS560J	B
R 5015	(A,61,31)	RS1/16SS39R0D		R 5405	(A,100,40)	RS1/16SS680J	
R 5016	(A,61,33)	RS1/16SS4R7J		R 5406	(A,99,40)	RS1/16SS560J	
R 5017	(A,64,33)	RS1/16SS47R0D		R 5409	(A,97,44)	RS1/16SS680J	
R 5018	(A,66,33)	RS1/16SS0R0J		R 5410	(A,96,44)	RS1/16SS560J	
R 5019	(A,67,33)	RS1/16SS1800D		R 5413	(A,99,42)	RS1/16SS103J	
R 5020	(A,69,33)	RS1/16SS2R2J		R 5414	(A,101,39)	RS1/16SS103J	
R 5021	(A,70,32)	RS1/16SS33R0D		R 5415	(A,96,46)	RS1/16SS103J	
R 5022	(A,70,30)	RS1/16SS2R4J		R 5416	(A,39,60)	RS1/16SS0R0J	
R 5024	(B,30,35)	RS1/16SS473J		R 5417	(A,40,61)	RS1/16SS0R0J	
R 5026	(B,24,35)	RS1/16SS473J		R 5418	(A,41,60)	RS1/16SS0R0J	
R 5028	(B,25,33)	RS1/16SS473J		R 5419	(A,42,61)	RS1/16SS0R0J	C
R 5029	(B,26,35)	RS1/16SS473J		R 5420	(A,44,61)	RS1/16SS270J	
R 5101	(A,17,60)	RS1/16SS103J		R 5421	(A,44,58)	RS1/16SS0R0J	
R 5103	(A,24,61)	RS1/16SS203J		R 5422	(A,43,57)	RS1/16SS270J	
R 5104	(A,25,60)	RS1/16SS104J		R 5423	(A,45,58)	RS1/16SS270J	
R 5106	(A,27,63)	RS1/16SS472J		R 5424	(A,45,57)	RS1/16SS270J	
R 5107	(A,21,70)	RS1/16SS0R0J		R 5425	(A,47,58)	RS1/16SS270J	
R 5108	(A,24,73)	RS1/16SS103J		R 5426	(A,47,56)	RS1/16SS270J	
R 5109	(A,30,63)	RS1/16SS1502D		R 5427	(A,48,58)	RS1/16SS270J	
R 5110	(A,28,64)	RS1/16SS8201D		R 5428	(A,48,56)	RS1/16SS270J	
R 5111	(A,28,63)	RS1/16SS1502D		R 5429	(A,50,58)	RS1/16SS270J	
R 5112	(B,65,79)	RS1/16SS0R0J		R 5430	(A,50,56)	RS1/16SS270J	D
R 5116	(A,21,63)	RS1/16SS3001D		R 5431	(A,51,58)	RS1/16SS270J	
R 5117	(A,21,62)	RS1/16SS1502D		R 5432	(A,51,56)	RS1/16SS270J	
R 5122	(A,9,28)	RS1/16SS472J		R 5433	(A,52,56)	RS1/16SS270J	
R 5124	(A,10,28)	RS1/16SS105J		R 5434	(A,53,58)	RS1/16SS270J	
R 5125	(A,13,30)	RS1/16SS682J		R 5435	(A,54,56)	RS1/16SS270J	
R 5126	(A,14,30)	RS1/16SS0R0J		R 5436	(A,55,58)	RS1/16SS270J	
R 5128	(A,15,35)	RS1/16SS101J		R 5437	(A,55,56)	RS1/16SS270J	
R 5129	(A,15,32)	RS1/16SS0R0J		R 5438	(A,56,58)	RS1/16SS270J	
R 5134	(A,16,62)	RS1/16SS0R0J		R 5439	(A,57,56)	RS1/16SS270J	
R 5135	(A,19,62)	RS1/16SS1203D		R 5440	(A,59,58)	RS1/16SS0R0J	
R 5136	(A,18,62)	RS1/16SS472J					E
R 5140	(A,30,67)	RS1/16SS9102D					
				CAPACITORS			
R 5141	(A,30,66)	RS1/16SS1802D		C 5009	(A,63,27)	CKSSYB102K50	
R 5142	(A,30,69)	RS1/16SS1003D		C 5010	(A,63,28)	CKSSYB104K16	
R 5143	(A,28,69)	RS1/16SS9101D		C 5011	(A,63,29)	CKSSYB102K50	
R 5202	(A,113,76)	RS1/16SS273J		C 5012	(A,63,30)	CKSSYB104K16	
R 5203	(A,114,76)	RS1/16SS511J		C 5021	(A,31,37)	CKSSYB102K50	
R 5205	(B,108,66)	RS1/16SS1503D		C 5023	(A,31,39)	CKSSYB104K16	
R 5206	(B,108,67)	RS1/16SS1003D		C 5025	(A,15,47) 10 uF	CCG1236	
R 5207	(A,97,74)	RS1/16SS101J		C 5026	(A,8,44)	CKSSYB102K50	
R 5212	(B,106,65)	RS1/16SS3603D		C 5029	(A,28,38)	CKSSYB102K50	F
R 5213	(B,106,66)	RS1/16SS2402D		C 5030	(A,28,39)	CKSSYB104K10	
R 5219	(A,103,74)	RS1/16SS104J		C 5031	(A,9,50) 10 uF	CCG1192	
R 5220	(A,103,73)	RS1/16SS154J					

1

2

3

4

Circuit Symbol and No.**Part No.****Circuit Symbol and No.****Part No.**

C 5034	(A,22,40)	CKSSYB104K16
C 5035	(A,21,42) 4.7 uF	CCG1201
C 5037	(A,17,43)	CKSQYB225K16
C 5039	(A,20,38)	CKSRYB104K50
C 5040	(A,17,37)	CKSQYB334K50
C 5042	(A,16,33)	CKSSYB104K16
C 5101	(A,20,78)	CKSQYB475K6R3
C 5102	(A,21,67)	CKSSYB102K50
C 5103	(A,20,66)	CKSSYB105K6R3
C 5104	(A,21,60)	CKSSYB123K16

S 4803	(A,12,28) Push Switch	CSG1155
S 4804	(A,8,43) Push Switch	CSG1155
S 4805	(A,23,93) Push Switch	CSG1155
S 4806	(A,12,58) Push Switch	CSG1155
S 4807	(A,12,79) Push Switch	CSG1155
S 4808	(A,12,69) Push Switch	CSG1155
S 4809	(A,17,93) Push Switch	CSG1155
CN4801	(B,14,43) Connector	CKS6063

RESISTORS

C 5105	(A,23,60)	CKSSYB104K10	R 4801	(B,8,72)	RS1/16SS470J
C 5106	(A,28,60)	CKSRYB105K10	R 4802	(A,10,12)	RS1/16SS222J
C 5107	(A,24,62)	CKSSYB102K50	R 4803	(A,9,13)	RS1/16SS472J
C 5109	(A,32,63)	CCSSCH101J50	R 4804	(A,7,38)	RS1/16SS123J
C 5110	(A,35,64)	CKSSYB122K50			
C 5111	(A,15,64) 10 uF	CCG1236	R 4805	(A,15,63)	RS1/16SS182J
C 5112	(A,15,67) 10 uF	CCG1236	R 4806	(A,14,65)	RS1/16SS222J
C 5113	(A,21,64)	CKSSYB102K50	R 4807	(A,14,72)	RS1/16SS472J
C 5114	(A,11,28)	CKSSYB104K16	R 4808	(A,10,13)	RS1/16SS182J
C 5115	(A,8,30) 10 uF	CCG1236			

CAPACITORS

C 5116	(A,69,44) 4.7 uF	CCG1201	C 4805	(B,11,91) 10 uF	CCG1192
C 5117	(A,73,44) 4.7 uF	CCG1201			
C 5118	(A,60,63)	CKSSYB104K10			
C 5120	(A,33,72)	CKSQYB105K25			
C 5121	(A,35,72)	CKSQYB105K25			

C 5122	(A,32,67)	CKSRYB105K10
C 5123	(A,35,66)	CKSRYB104K50
C 5124	(A,31,77)	CKSQYB474K25
C 5125	(A,34,77)	CKSQYB474K25
C 5127	(A,28,73)	CKSYB475K16

C 5140	(A,30,70)	CKSSYB561K50
C 5203	(B,110,66) 2.2 uF	CCG1218
C 5204	(A,115,76)	CKSSYB104K10
C 5205	(A,101,62) 10 uF	CCG1236
C 5206	(A,114,77)	CKSSYB104K10

D C 5208	(A,116,57) 10 uF	CCG1236
C 5209	(A,104,17)	CKSSYB104K10
C 5212	(A,122,63)	CCSSCH101J50
C 5213	(A,79,65)	CKSSYB104K16
C 5214	(A,116,74)	CKSSYB104K16

C 5301	(A,113,21) 10 uF	CCG1192
C 5302	(A,109,24) 10 uF	CCG1192
C 5303	(A,114,23)	CKSSYB104K10
C 5304	(A,111,25)	CKSSYB104K10
C 5305	(B,123,25)	CKSSYB103K16

E C 5306	(B,116,25)	CKSSYB103K16
C 5307	(A,117,24)	CKSSYB103K16
C 5308	(B,121,21)	CKSSYB103K16
C 5401	(A,68,64)	CKSSYB104K10

**Unit Number : CXX5006****Unit Name : Service Unit(Key)****MISCELLANEOUS**

F IC 4801	(A,9,90) IR RC REC MODULE	PNJ4833M
D 4801	(A,14,43) LED	SMLVN6RGB2U(A)
S 4801	(A,12,18) Push Switch	CSG1155
S 4802	(A,12,7) Push Switch	CSG1155

1

2

3

4