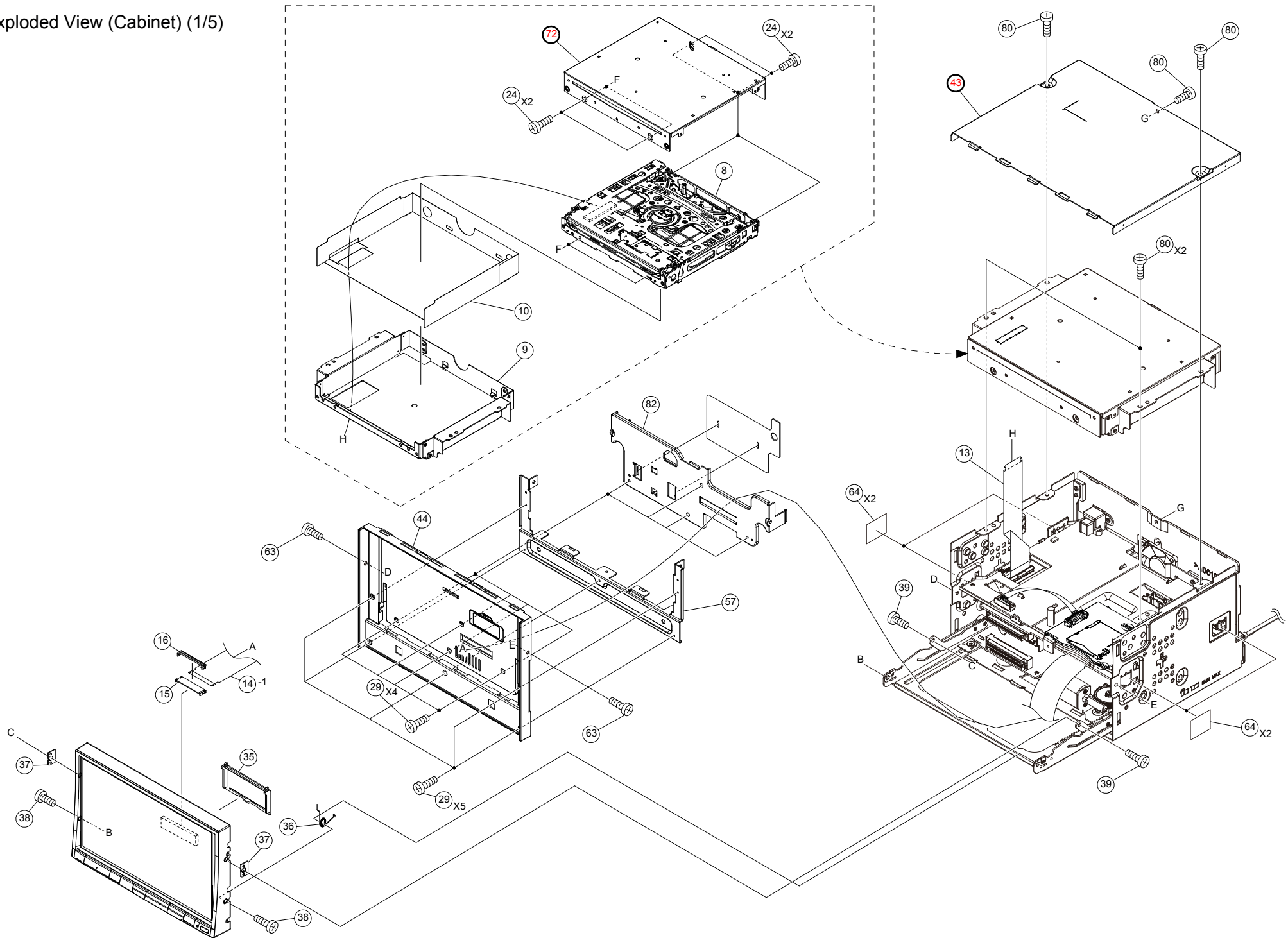
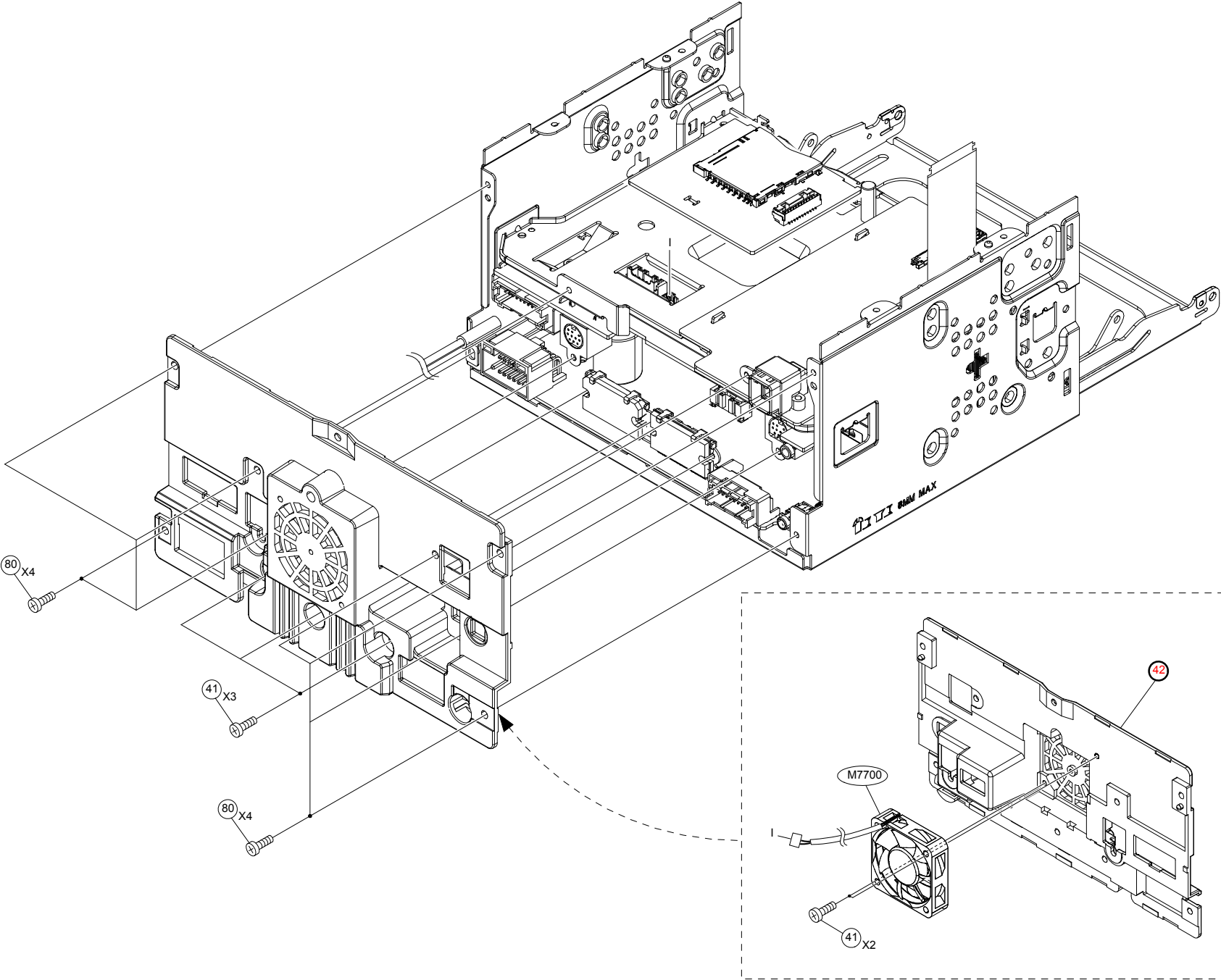


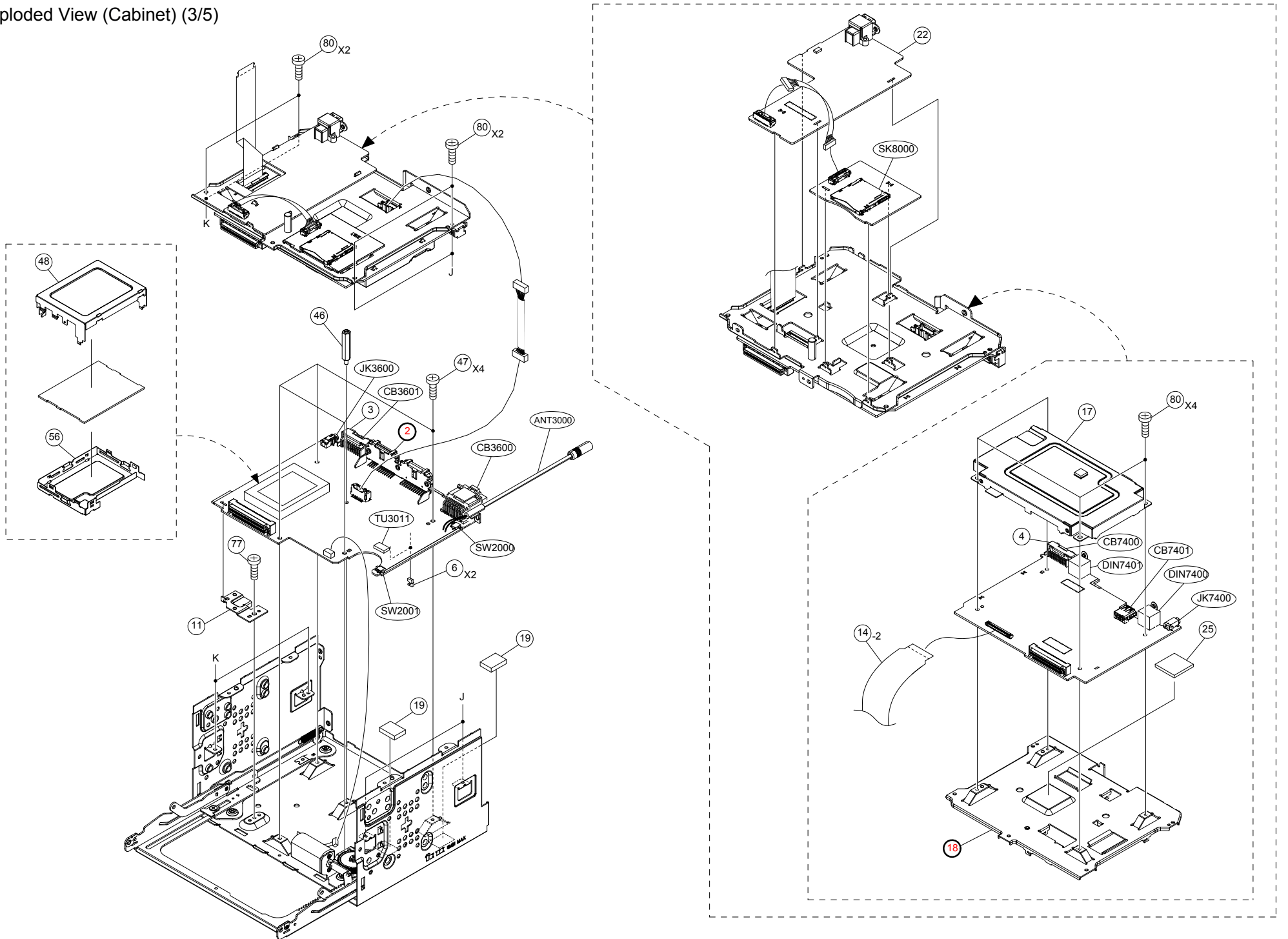
Exploded View (Cabinet) (1/5)



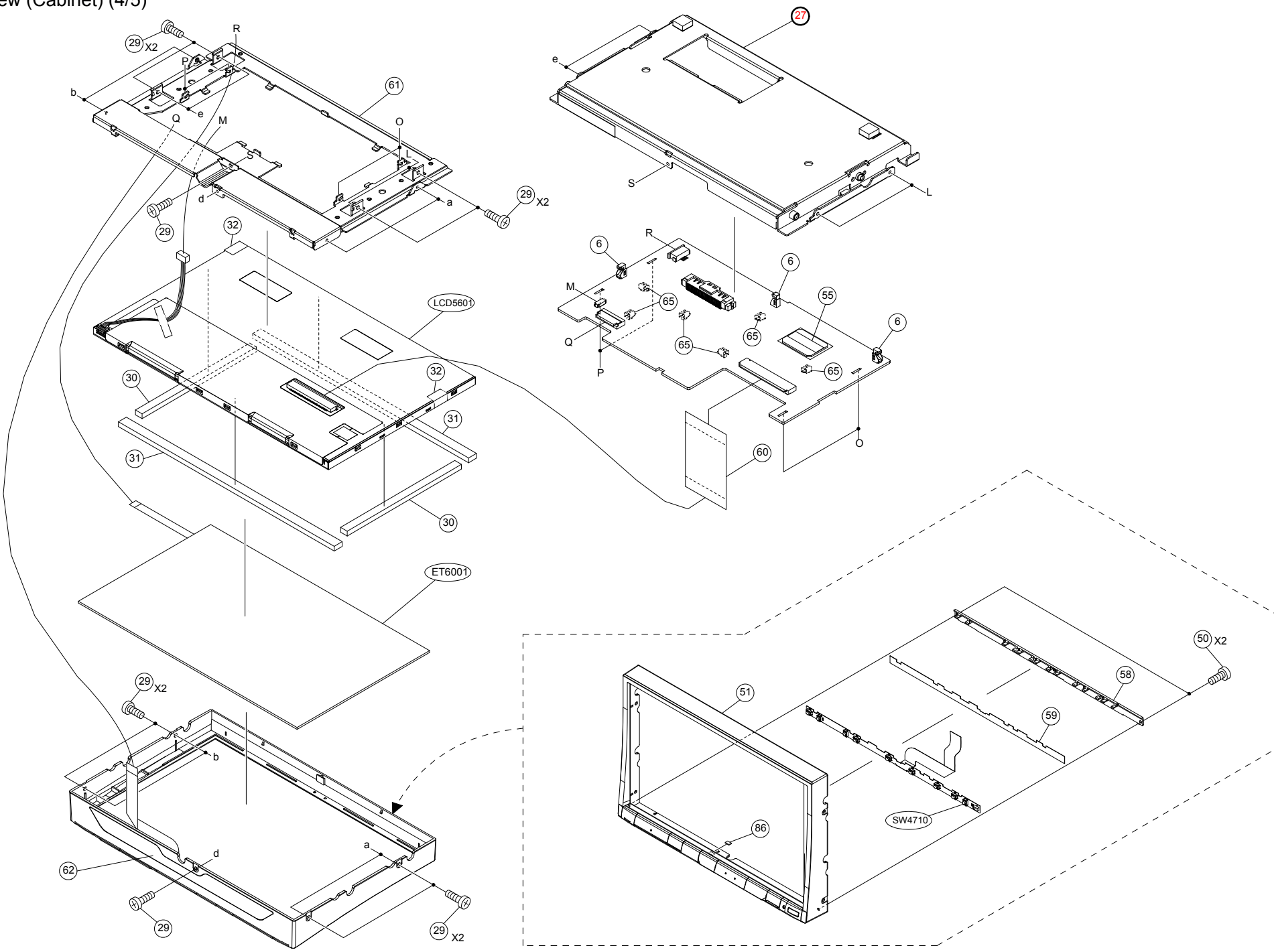
Exploded View (Cabinet) (2/5)



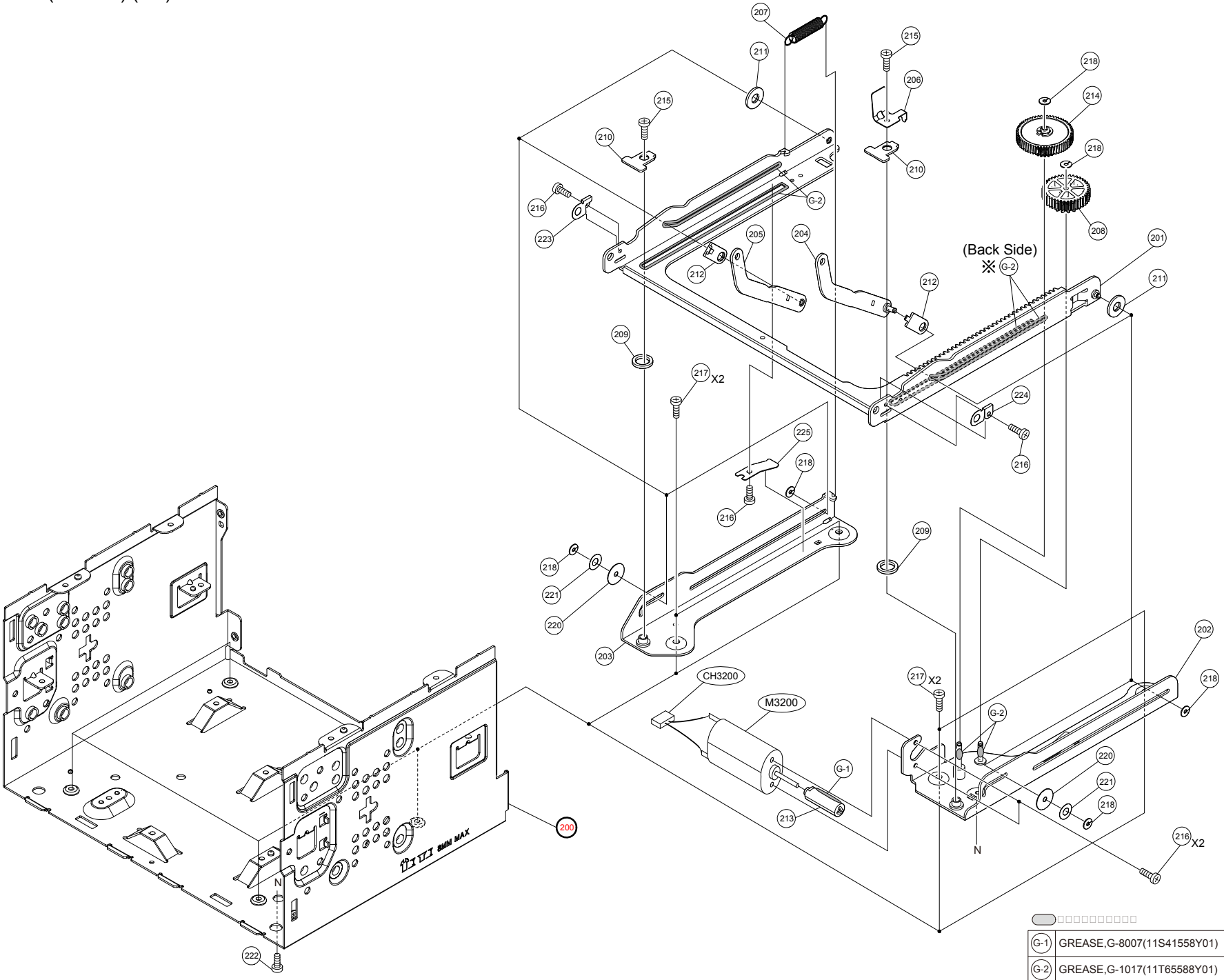
Exploded View (Cabinet) (3/5)



Exploded View (Cabinet) (4/5)



Exploded View (Cabinet) (5/5)



| | |
|-----|----------------------------|
| | □□□□□□□□ |
| G-1 | GREASE,G-8007(11S41558Y01) |
| G-2 | GREASE,G-1017(11T65588Y01) |

| MODEL | Symbol No. | Parts No. | Description |
|-------|--------------------|-------------|----------------------|
| | 2 | ----- | BKT,IC PWR SYS |
| | 3 | 07-24249Z01 | BKT,PREOUT ASSY |
| | 4 | 07-13006Z01 | BKT,PREOUT 24 |
| | 6 | 29-16141Z01 | OG-453070 -E5 |
| | 8 | DV-19318Z01 | DV53U110 |
| | 9 | 07-19479Z02 | BKT,DVD BOTTOM |
| | 10 | 14-19482Z02 | INS,DVD MECH |
| | 11 | 07-22184Z01 | BKT,LOWER |
| | 13 | 30-20195Z02 | SML2CD-50X135.0-BDX6 |
| | 14 | 84-17275Z01 | FPC,X05 DTV-DISP |
| | 15 | 15-17985Z01 | COVER,501783-5009 |
| | 16 | 15-17986Z01 | COVER,501784-5009 |
| | 17 | 26-21827Z02 | SHIELD,ERATO |
| | 18 | ----- | CHAS,MID ASSY |
| | 19 | 75-20737Z02 | 65TSV 7-1(KD)H L=10 |
| | 22 | 84-21993Z01 | ASSY,NAVI,BDAL108A |
| | 24 | 03-00340Z23 | SCR,S-T 2.6X5 ZB A |
| | 25 | 75-04227Z07 | RIG3150-1.5-30-30 |
| | 27 | ----- | BKT,MONITOR ASSY |
| | 29 | 03-00712Z74 | SCR,MCH 2X5 ZBEA |
| | 30 | 14-18697Z01 | INS,CVR 106X2XT0.5 |
| | 31 | 14-18697Z02 | INS,CVR 182X2XT0.5 |
| | 32 | 14-19217Z27 | INS,CVR 15X10XT0.05 |
| | 35 | 15-19593Z01 | COVER,DISPLAY FPC |
| | 36 | 41-12155Z01 | SPRING,NOSE |
| | 37 | 43-05906Z01 | BUSH,MONITOR |
| | 38 | 03-10059Z01 | SCR,MCH 2X3.5 ZNCA |
| | 39 | 03S60820Y84 | SCR,MCH 2X3.5 ZNEA |
| | 41 | 03S60822Y22 | SCR,S-T 2.6X14 ZN A |
| | 42 | ----- | HEAT,SINK |
| | 43 | ----- | COVER, TOP |
| | 44 | EN-22828Z01 | ESC,FRONT ASSY |
| | 46 | 47-21828Z01 | SHAFT,CHAS BASE |
| | 47 | 03-12686Z01 | SCR,S-T 2.6X6 ZN ATP |
| | 48 | 26-19568Z01 | SHIELD,HD TOP |
| | 50 | 03S70693Y07 | SCR,P-T 1.7X5 ZB A |
| | 51 | EN-20032Z02 | NOSE,MONITOR ASSY |
| | 55 | 75-20737Z01 | 65TSV 7-7(KD3)H L=20 |
| | 56 | 26-20673Z01 | SHIELD,HD BTM |
| | 57 | 07-22820Z01 | BKT,ESC SUB |
| | 58 | 15-20030Z01 | COVER,FPC PWB |
| | 59 | 14-23663Z01 | INS,FPC |
| | 60 | 30-14788Z03 | SML2CD-60X23.0-AUP |
| | 61 | 07-19966Z01 | BKT,MONITOR SUB |
| | 62 | 14-23662Z01 | INS,NOSE MONITOR |
| | 63 | 03S70694Y12 | SCR,TPG 2.6X8 ZB A |
| | 64 | 54-22523Z01 | LABEL,CHAS |

NOTE:The part that has not PART NUMBER will not be supplied.

| MODEL | Symbol No. | Parts No. | Description |
|-------|-------------------------|-------------|----------------------|
| | 65 | 29T45687Y01 | CONTACT,OG363050 -E5 |
| | 72 | ----- | BKT,DVD TOP ASSY |
| | 77 | 03S60822Y10 | SCR,S-T 2.6X5 ZN A |
| | 80 | 03S60822Y13 | SCR,S-T 2.6X6 ZN A |
| | 82 | 07-22819Z01 | BKT,ESC FRONT |
| | 86 | 14-24373Z01 | INS,CVR 5.5X3XT0.5 |
| | 200 | ----- | CHAS,BASE |
| | 201 | 07-09019Z03 | ASSY,RIV BKT SLIDER |
| | 202 | 07-09020Z02 | ASSY,RIV BASE R |
| | 203 | 07-09071Z01 | ASSY,RIV BASE L |
| | 204 | 07-09022Z02 | ASSY,RIV ARM R |
| | 205 | 07-09021Z02 | ASSY,RIV ARM L |
| | 206 | 41-05899Z01 | SPRING,WORM |
| | 207 | 41-08834Z01 | SPRING,SLIDER |
| | 208 | 44-05901Z01 | GEAR,DRIVE |
| | 209 | 43-05902Z01 | BUSH,SLIDER LOW |
| | 210 | 43-09194Z01 | BUSH,SLIDER UP |
| | 211 | 43-05904Z01 | BUSH,SLIDER REAR |
| | 212 | 43-05905Z01 | BUSH,ARM |
| | 213 | 44-02799Z03 | GEAR,WORM |
| | 214 | 44-11960Z01 | GEAR,CLUTCH ASSY |
| | 215 | 03S60820Y18 | SCR,MCH 2X3.5 ZNSA |
| | 216 | 03S60827Y13 | SCR,P-L 2X2.2 ZN A |
| | 217 | 03S94385F13 | SCR,NYLOK M2.6X3 |
| | 218 | 04B41345P23 | WASH,1.7X5X0.35 |
| | 220 | 04B41345P72 | WAS,LOC 2.3X10X0.25 |
| | 221 | 04A10161Y09 | WAS,SPR 3.4X7.4X0.06 |
| | 222 | 03-00712Z31 | SCR,MCH 2X2 ZBNA |
| | 223 | 41-12842Z01 | SPRING,MONITOR GND L |
| | 224 | 41-12843Z01 | SPRING,MONITOR GND R |
| | 225 | 41-05886Z01 | SPRING,CHAS |
| | ANT3000 | 09-17241Z02 | ASSY,ANID-0116-02A |
| | CB3600 | 09T35473Y16 | WTB,F169B001-16 -DB |
| | CB3601 | 09-07665Z04 | WTB,S20B-PADSS-1 -DB |
| | CB7400 | 09-07665Z05 | WTB,S24B-PADSS-1 -DB |
| | CB7401 | 09-20295Z01 | SKT,67643-3910 -DB |
| | CH3200 | 09-07002Z01 | ASSY,ANIA-0001-01A |
| | DIN7400 | 09T75435Y01 | DIN,TCS7722-01211-DB |
| | DIN7401 | 09-18874Z01 | DIN,TCS7718-012117DB |
| | ET6001 | 40-17871Z01 | ASSY,EMU601G2A626 |
| | JK3600 | 09-19159Z02 | JAC,HSJ2636-011041EA |
| | JK7400 | 09-12459Z01 | JAC,HSJ1765-011075EA |
| | LCD5601 | 65-20280Z01 | ASSY,C080VW05 V0 |
| | M3200 | 59-02037Z01 | MOTOR,FF-180SH-13260 |
| | M7700 | 59-14185Z02 | MOTOR,ASB0412MA-9F1B |
| | SK8000 | 09-13656Z02 | CONN,IMSA9432S-09-EZ |
| | SW2000 | 40T15494Y14 | SW,DETCT SPVG2106-E6 |

NOTE:The part that has not PART NUMBER will not be supplied.

| MODEL | Symbol No. | Parts No. | Description |
|-------|------------------------|-------------|-----------------------|
| | SW2001 | 40T15494Y15 | SW,DETCT SPVG1107-E6 |
| | SW4710 | 40T65353Y01 | SW,TACT SKRSPACE010E2 |
| | TU3011 | TU-18289Z01 | TMC,FM6 -E9 |

NOTE:The part that has not PART NUMBER will not be supplied.

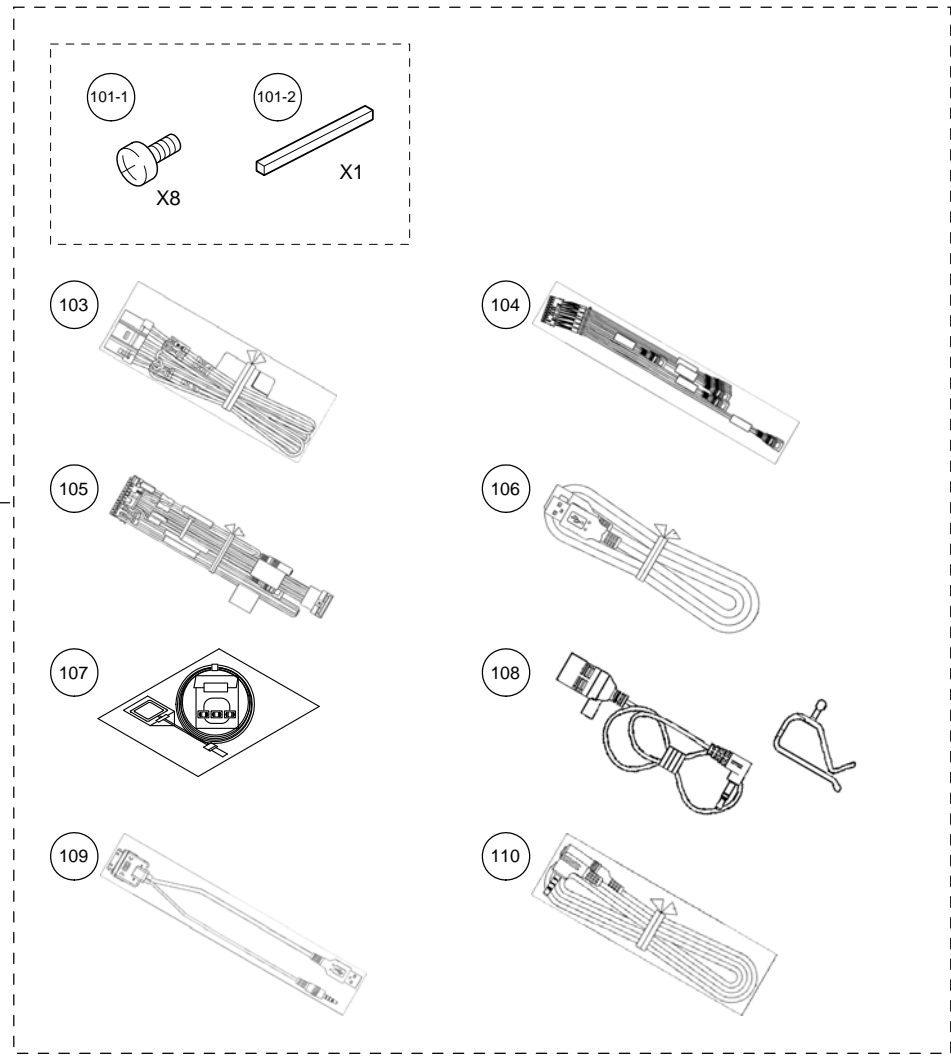
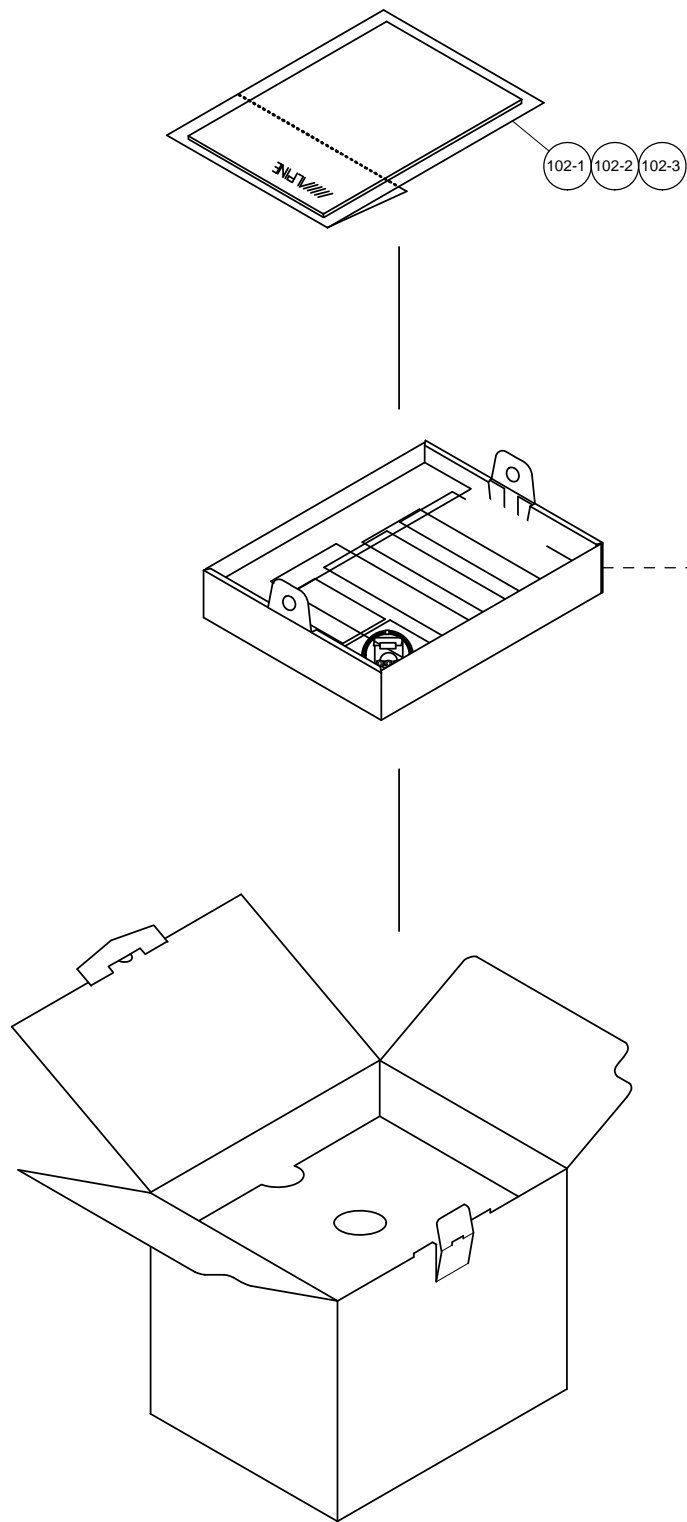
| MODEL | Symbol No. | Parts No. | Description |
|-------|--------------------|-------------|----------------------|
| | 2 | 14-18667Z02 | INSULATOR,PWB DV-U |
| | 3 | 03S94385F19 | SCR,NYLOK M2X2.5 |
| | 4 | ----- | ASY,RIV.C-TOP DV-U |
| | 5 | 15-16046Z02 | GUIDE,SW DV-U |
| | 6 | 15-16047Z02 | GUIDE,TOP DV-U |
| | 7 | 41-16671Z01 | SPG,LOAD REAR DV-U |
| | 8 | 03-00712Z12 | SCR,MCH 2X2 ZBNA |
| | 9 | 41-17131Z01 | SPG,DRIVE FL DV-U |
| | 10 | 41-17129Z01 | SPG,DRIVE R DV-U |
| | 11 | 41-17130Z01 | SPG,DRIVE FR DV-U |
| | 12 | 07-19321Z02 | ARM,DISC GUIDE2 DV-U |
| | 13 | 43-16049Z02 | BUSH,ROLLER L DV-U |
| | 14 | 07-16040Z02 | SHUTTER,DV-U |
| | 15 | 49-13192Z02 | ROLLER,DV-U |
| | 16 | 47-17138Z01 | SHAFT,ROLLER DV-U |
| | 17 | 04S40075G09 | WASH,2.6X4.7X0.25 |
| | 18 | 43-16050Z02 | BUSH,ROLLER R DV-U |
| | 19 | 44-16048Z02 | GEAR,ROLLER DV-U |
| | 20 | 04B41345P52 | WASH,1.6X3.5X0.25 |
| | 21 | 41-17128Z01 | SPG,SHUTTER DV-U |
| | 22 | 45-16683Z02 | LEVER,SLIDE R DV-U |
| | 23 | 45-16043Z02 | SLIDER,LCK REAR DV-U |
| | 24 | 45-16042Z02 | SLIDER,LINK DV-U |
| | 25 | 45-16054Z02 | LEVER,TRG DV-U |
| | 26 | 44-16061Z02 | GEAR,TRG LOWER DV-U |
| | 27 | 44-16062Z02 | GEAR,TRG UPPER DV-U |
| | 28 | 45-18171Z02 | LEVER,TRG LINK2 DV-U |
| | 29 | 44-16056Z02 | GEAR,LOAD B DV-U |
| | 30 | 44-16063Z02 | GEAR,B DV-U |
| | 31 | 44-16057Z02 | GEAR,LOAD C DV-U |
| | 32 | 44-16058Z02 | GEAR,LOAD D DV-U |
| | 33 | 44-16055Z02 | GEAR,LOAD A DV-U |
| | 34 | 44-16060Z02 | GEAR,A DV-U |
| | 35 | 45-16053Z02 | LEVER,GEAR MAIN DV-U |
| | 36 | ----- | ASY,RIV.C-PICK DV-U |
| | 37 | 07-15663Z02 | BKT,FPC DRIVE DV-U |
| | 38 | 47-17137Z01 | SHAFT,SUB DV-U |
| | 39 | 41-17134Z01 | SPG,ADJ MAIN O DV-U |
| | 40 | ----- | ASY,RIV.C-BASE DV-U |
| | 41 | 03-01599Z08 | SCR,MCH 2X5.3 NNN |
| | 42 | 47-17136Z01 | SHAFT,MAIN DV-U |
| | 43 | 41-15662Z02 | SPG,NUT DV-U |
| | 44 | 03S60823Y54 | SCR,P-T 2X4 ZN A |
| | 45 | 41-17127Z01 | SPG,COMP NUT DV-U |
| | 46 | ----- | ASY,RIV.A-CLAMP DV-U |
| | 47 | 41-17126Z01 | SPG,CLAMP R DV-U |
| | 48 | 75-17121Z01 | DAMPER,DV-U |

NOTE:The part that has not PART NUMBER will not be supplied.

| MODEL | Symbol No. | Parts No. | Description |
|-------|-----------------------|-------------|----------------------|
| | 49 | 41-17125Z01 | SPG,CLAMP L DV-U |
| | 50 | 84-17556Z01 | FPC,LOAD DV-U |
| | 51 | 84-17555Z01 | FPC,DRIVE DV-U |
| | 52 | 84-17557Z01 | FPC,SENSOR DV-U |
| | 53 | 44-16066Z02 | GEAR,WORM DV-U |
| | 54 | 41-17132Z01 | SPG,ROLLER DV-U |
| | 55 | 07-16682Z02 | BKT,MOTOR DV-U |
| | 56 | 44-16059Z02 | GEAR,LOAD E DV-U |
| | 57 | 03S60820Y37 | SCR,MCH 2X3 ZNNA |
| | 58 | 41-17133Z01 | SPG,LEV TRG DV-U |
| | 59 | 75-17121Z01 | DAMPER,DV-U |
| | 60 | 45-16051Z02 | SLIDER,LOCK L DV-U |
| | 61 | 45-16052Z02 | SLIDER,LOCK R DV-U |
| | 62 | 14-19217Z28 | INS,CVR 6X3XT0.25 |
| | 63 | 41-19752Z01 | SPG,SLID LOCK L DV-U |
| | 64 | 41-19753Z01 | SPG,GUIDE SW-2 DV-U |
| | HD1 | EP-20915Z01 | ED21A97L |
| | M1 | 59-17572Z01 | MOTOR,FF-050SB-12150 |
| | M2 | 59T65142Y02 | MOTOR,MSDV020L11 |
| | M3 | 59-17421Z01 | MOTOR,24C030D031A |
| | SW1 | 40-08552Z01 | SW,DETCT SPVR1101-E5 |
| | SW301 | 40T15494Y18 | SW,DETCT SPVG1302-E6 |

NOTE:The part that has not PART NUMBER will not be supplied.


Packing Method View



| MODEL | Symbol No. | Parts No. | Description |
|-------|-----------------------|-------------|---------------------|
| | 101-1 | 03S60820Y17 | SCR,MCH 5X8 ZN A |
| | 101-2 | 75-10072Z06 | CUS,RUB 197X10XT8 |
| | 102-1 | 68-16340Z08 | O/M-CDROM G500 US |
| | 102-2 | 68-21057Z28 | O/M-QUICK S920 AOAM |
| | 102-3 | 68-21057Z69 | O/M-QUICK NAVI S920 |
| | 103 | 09-17244Z12 | ASSY,ANIC-0050-12A |
| | 104 | 09-19948Z02 | ASSY,AD0066-02A |
| | 105 | 09-19807Z05 | ASSY,ANIC-0071-05A |
| | 106 | 09-22649Z02 | ASSY,ANID-0179-02A |
| | 107 | 85-11368Z02 | ASSY,YOP-5225AL03 |
| | 108 | 50-14386Z03 | ASSY,LYS-M9750-FUL |
| | 109 | 09-12482Z05 | ASSY,ANID-0077-05A |
| | 110 | 09-12484Z02 | ASSY,ANID-0079-02A |

NOTE:The part that has not PART NUMBER will not be supplied.

| MODEL | Symbol No. | Parts No. | Description |
|-------|------------|-----------|-------------|
|-------|------------|-----------|-------------|

| | | | |
|-----------------|---|-------------------------|----------------------------------|
| AUDIO-P.W.Board |  | ANT3000 | 09-17241Z02 ASSY,ANID-0116-02A |
| AUDIO-P.W.Board | | C2000 | 08S45232Y17 CAP,CER 104K-B0J -CP |
| AUDIO-P.W.Board | | C2001 | 08S45232Y17 CAP,CER 104K-B0J -CP |
| AUDIO-P.W.Board | | C2002 | 08S65669Y03 CAP,CER 224KX7R1H-CP |
| AUDIO-P.W.Board | | C2003 | 08S35374W11 CAP,CER 475K-B0J -CP |
| AUDIO-P.W.Board | | C2004 | 08S65667Y01 CAP,CER 224KX5R1C-CP |
| AUDIO-P.W.Board | | C2005 | 08S35374W11 CAP,CER 475K-B0J -CP |
| AUDIO-P.W.Board | | C2006 | 08S65669Y03 CAP,CER 224KX7R1H-CP |
| AUDIO-P.W.Board | | C2007 | 08S65669Y03 CAP,CER 224KX7R1H-CP |
| AUDIO-P.W.Board | | C2008 | 08S65667Y01 CAP,CER 224KX5R1C-CP |
| AUDIO-P.W.Board | | C2011 | 08S45232Y17 CAP,CER 104K-B0J -CP |
| AUDIO-P.W.Board | | C2012 | 08S45232Y17 CAP,CER 104K-B0J -CP |
| AUDIO-P.W.Board | | C2013 | 08S45677W20 CAP,CER.22RJ-CH1H-CP |
| AUDIO-P.W.Board | | C2014 | 08S45677W20 CAP,CER.22RJ-CH1H-CP |
| AUDIO-P.W.Board | | C2015 | 08S45676W85 CAP,CER 104K-B1C -CP |
| AUDIO-P.W.Board | | C2017 | 08S45676W73 CAP,CER.103K-B1H -CP |
| AUDIO-P.W.Board | | C2018 | 08S65669Y03 CAP,CER 224KX7R1H-CP |
| AUDIO-P.W.Board | | C2019 | 08S45232Y05 CAP,CER 102K-B1H -CP |
| AUDIO-P.W.Board | | C2020 | 08S45232Y05 CAP,CER 102K-B1H -CP |
| AUDIO-P.W.Board | | C2021 | 08S45232Y05 CAP,CER 102K-B1H -CP |
| AUDIO-P.W.Board | | C2022 | 08S45232Y05 CAP,CER 102K-B1H -CP |
| AUDIO-P.W.Board | | C2025 | 08S45232Y17 CAP,CER 104K-B0J -CP |
| AUDIO-P.W.Board | | C2026 | 08S45232Y17 CAP,CER 104K-B0J -CP |
| AUDIO-P.W.Board | | C2208 | 08S35349Y11 CAP,CER 223K-B1H -CP |
| AUDIO-P.W.Board | | C2209 | 08S35349Y11 CAP,CER 223K-B1H -CP |
| AUDIO-P.W.Board | | C2210 | 08S35349Y11 CAP,CER 223K-B1H -CP |
| AUDIO-P.W.Board | | C2211 | 08S35349Y11 CAP,CER 223K-B1H -CP |
| AUDIO-P.W.Board | | C2212 | 08S35374W08 CAP,CER 474K-B1C -CP |
| AUDIO-P.W.Board | | C2213 | 08S35349Y16 CAP,CER 105K-B1A -CP |
| AUDIO-P.W.Board | | C2214 | 08S35349Y16 CAP,CER 105K-B1A -CP |
| AUDIO-P.W.Board | | C2215 | 08S45676W85 CAP,CER 104K-B1C -CP |
| AUDIO-P.W.Board | | C2216 | 08S45676W85 CAP,CER 104K-B1C -CP |
| AUDIO-P.W.Board | | C2217 | 08S45676W93 CAP,CER 224K-B1A -CP |
| AUDIO-P.W.Board | | C2218 | 08S45676W85 CAP,CER 104K-B1C -CP |
| AUDIO-P.W.Board | | C2219 | 08S35349Y16 CAP,CER 105K-B1A -CP |
| AUDIO-P.W.Board | | C2220 | 08S35349Y16 CAP,CER 105K-B1A -CP |
| AUDIO-P.W.Board | | C2221 | 08S65667Y02 CAP,CER 334KX5R1A-CP |
| AUDIO-P.W.Board | | C2223 | 08S45676W85 CAP,CER 104K-B1C -CP |
| AUDIO-P.W.Board | | C2224 | 08S45676W73 CAP,CER.103K-B1H -CP |
| AUDIO-P.W.Board | | C2225 | 08S45232Y08 CAP,CER 332K-B1H -CP |
| AUDIO-P.W.Board | | C2226 | 08S45232Y08 CAP,CER 332K-B1H -CP |
| AUDIO-P.W.Board | | C2227 | 08S45232Y08 CAP,CER 332K-B1H -CP |
| AUDIO-P.W.Board | | C2228 | 08S45232Y08 CAP,CER 332K-B1H -CP |
| AUDIO-P.W.Board | | C2229 | 08S45232Y08 CAP,CER 332K-B1H -CP |
| AUDIO-P.W.Board | | C2230 | 08S45232Y08 CAP,CER 332K-B1H -CP |
| AUDIO-P.W.Board | | C2231 | 08S45676W93 CAP,CER 224K-B1A -CP |
| AUDIO-P.W.Board | | C2232 | 08S45676W85 CAP,CER 104K-B1C -CP |

NOTE:The part that has not PART NUMBER will not be supplied.

| MODEL | Symbol No. | Parts No. | Description |
|-------|------------|-----------|-------------|
|-------|------------|-----------|-------------|

| | | | |
|-----------------|--|-----------------------|----------------------------------|
| AUDIO-P.W.Board | | C2233 | 08S45677W08 CAP,CER.6R0D-CH1H-CP |
| AUDIO-P.W.Board | | C2234 | 08S45677W08 CAP,CER.6R0D-CH1H-CP |
| AUDIO-P.W.Board | | C2235 | 08S35349Y16 CAP,CER 105K-B1A -CP |
| AUDIO-P.W.Board | | C2236 | 08S65667Y02 CAP,CER 334KX5R1A-CP |
| AUDIO-P.W.Board | | C2237 | 08S65667Y02 CAP,CER 334KX5R1A-CP |
| AUDIO-P.W.Board | | C2238 | 08S35349Y16 CAP,CER 105K-B1A -CP |
| AUDIO-P.W.Board | | C2239 | 08S65669Y03 CAP,CER 224KX7R1H-CP |
| AUDIO-P.W.Board | | C2240 | 08S65669Y03 CAP,CER 224KX7R1H-CP |
| AUDIO-P.W.Board | | C2241 | 08S65669Y03 CAP,CER 224KX7R1H-CP |
| AUDIO-P.W.Board | | C2244 | 08S35349Y16 CAP,CER 105K-B1A -CP |
| AUDIO-P.W.Board | | C2245 | 08S35374W11 CAP,CER 475K-B0J -CP |
| AUDIO-P.W.Board | | C2246 | 08S35374W11 CAP,CER 475K-B0J -CP |
| AUDIO-P.W.Board | | C2247 | 08S65669Y03 CAP,CER 224KX7R1H-CP |
| AUDIO-P.W.Board | | C2249 | 08S45676W73 CAP,CER.103K-B1H -CP |
| AUDIO-P.W.Board | | C2250 | 08S45676W73 CAP,CER.103K-B1H -CP |
| AUDIO-P.W.Board | | C2251 | 08S45676W85 CAP,CER 104K-B1C -CP |
| AUDIO-P.W.Board | | C2252 | 08S45676W85 CAP,CER 104K-B1C -CP |
| AUDIO-P.W.Board | | C2253 | 08S45676W85 CAP,CER 104K-B1C -CP |
| AUDIO-P.W.Board | | C2254 | 08S45676W85 CAP,CER 104K-B1C -CP |
| AUDIO-P.W.Board | | C2255 | 08S35374W10 CAP,CER 225K-B1A -CP |
| AUDIO-P.W.Board | | C2256 | 08S35374W10 CAP,CER 225K-B1A -CP |
| AUDIO-P.W.Board | | C2257 | 08S45232Y05 CAP,CER 102K-B1H -CP |
| AUDIO-P.W.Board | | C2258 | 08S45232Y05 CAP,CER 102K-B1H -CP |
| AUDIO-P.W.Board | | C2259 | 08S35349Y16 CAP,CER 105K-B1A -CP |
| AUDIO-P.W.Board | | C2261 | 08S45231Y38 CAP,CER 102J-CH1E-CP |
| AUDIO-P.W.Board | | C2262 | 08S65667Y01 CAP,CER 224KX5R1C-CP |
| AUDIO-P.W.Board | | C2263 | 08S65667Y01 CAP,CER 224KX5R1C-CP |
| AUDIO-P.W.Board | | C2264 | 08S45677W42 CAP,CER.181J-CH1H-CP |
| AUDIO-P.W.Board | | C2265 | 08S35349Y16 CAP,CER 105K-B1A -CP |
| AUDIO-P.W.Board | | C2266 | 08S65670Y04 CAP,CER 475KX5R1E-CP |
| AUDIO-P.W.Board | | C2267 | 08S45677W42 CAP,CER.181J-CH1H-CP |
| AUDIO-P.W.Board | | C2268 | 08S65128F90 CAP,CER 473K-B1H -CP |
| AUDIO-P.W.Board | | C2269 | 08S65669Y03 CAP,CER 224KX7R1H-CP |
| AUDIO-P.W.Board | | C2270 | 08S65669Y03 CAP,CER 224KX7R1H-CP |
| AUDIO-P.W.Board | | C2280 | 08S65676Y03 CAP,CER 225KX7R1C-CP |
| AUDIO-P.W.Board | | C2281 | 08S65676Y03 CAP,CER 225KX7R1C-CP |
| AUDIO-P.W.Board | | C2282 | 08S65676Y03 CAP,CER 225KX7R1C-CP |
| AUDIO-P.W.Board | | C2283 | 08S65676Y03 CAP,CER 225KX7R1C-CP |
| AUDIO-P.W.Board | | C2284 | 08S45677W44 CAP,CER.221J-CH1H-CP |
| AUDIO-P.W.Board | | C2285 | 08S45677W44 CAP,CER.221J-CH1H-CP |
| AUDIO-P.W.Board | | C2286 | 08S45677W44 CAP,CER.221J-CH1H-CP |
| AUDIO-P.W.Board | | C2287 | 08S45677W44 CAP,CER.221J-CH1H-CP |
| AUDIO-P.W.Board | | C2400 | 08S35350Y04 CAP,CER 105K-B1C -CP |
| AUDIO-P.W.Board | | C2401 | 08S65676Y08 CAP,CER 106K-X7R1ACP |
| AUDIO-P.W.Board | | C2402 | 08S65670Y03 CAP,CER 335KX5R1E-CP |
| AUDIO-P.W.Board | | C2403 | 08S65670Y03 CAP,CER 335KX5R1E-CP |
| AUDIO-P.W.Board | | C2404 | 08S65670Y03 CAP,CER 335KX5R1E-CP |

NOTE:The part that has not PART NUMBER will not be supplied.

| MODEL | Symbol No. | Parts No. | Description |
|-------|------------|-----------|-------------|
|-------|------------|-----------|-------------|


| | | | |
|-----------------|--|-----------------------|----------------------------------|
| AUDIO-P.W.Board | | C2405 | 08S65670Y03 CAP,CER 335KX5R1E-CP |
| AUDIO-P.W.Board | | C2406 | 08S65669Y03 CAP,CER 224KX7R1H-CP |
| AUDIO-P.W.Board | | C2407 | 08S35374W10 CAP,CER 225K-B1A -CP |
| AUDIO-P.W.Board | | C2408 | 08S35374W10 CAP,CER 225K-B1A -CP |
| AUDIO-P.W.Board | | C2409 | 08S45676W85 CAP,CER 104K-B1C -CP |
| AUDIO-P.W.Board | | C2410 | 08S45676W85 CAP,CER 104K-B1C -CP |
| AUDIO-P.W.Board | | C2411 | 08S35374W10 CAP,CER 225K-B1A -CP |
| AUDIO-P.W.Board | | C2412 | 08S35374W10 CAP,CER 225K-B1A -CP |
| AUDIO-P.W.Board | | C2413 | 08S45677W36 CAP,CER.101J-CH1H-CP |
| AUDIO-P.W.Board | | C2414 | 08S35350Y04 CAP,CER 105K-B1C -CP |
| AUDIO-P.W.Board | | C2415 | 08S35350Y04 CAP,CER 105K-B1C -CP |
| AUDIO-P.W.Board | | C2416 | 08S35350Y04 CAP,CER 105K-B1C -CP |
| AUDIO-P.W.Board | | C2417 | 08S35350Y04 CAP,CER 105K-B1C -CP |
| AUDIO-P.W.Board | | C2418 | 08S45677W36 CAP,CER.101J-CH1H-CP |
| AUDIO-P.W.Board | | C2419 | 08S35350Y04 CAP,CER 105K-B1C -CP |
| AUDIO-P.W.Board | | C2420 | 08S35350Y04 CAP,CER 105K-B1C -CP |
| AUDIO-P.W.Board | | C2421 | 08S35350Y04 CAP,CER 105K-B1C -CP |
| AUDIO-P.W.Board | | C2422 | 08S45677W36 CAP,CER.101J-CH1H-CP |
| AUDIO-P.W.Board | | C2424 | 08S65669Y03 CAP,CER 224KX7R1H-CP |
| AUDIO-P.W.Board | | C2425 | 08S65669Y03 CAP,CER 224KX7R1H-CP |
| AUDIO-P.W.Board | | C2426 | 08S65670Y03 CAP,CER 335KX5R1E-CP |
| AUDIO-P.W.Board | | C2427 | 08S65670Y03 CAP,CER 335KX5R1E-CP |
| AUDIO-P.W.Board | | C2428 | 08S65676Y08 CAP,CER 106K-X7R1ACP |
| AUDIO-P.W.Board | | C2429 | 08S35350Y04 CAP,CER 105K-B1C -CP |
| AUDIO-P.W.Board | | C2430 | 08S35350Y04 CAP,CER 105K-B1C -CP |
| AUDIO-P.W.Board | | C2431 | 08S35350Y04 CAP,CER 105K-B1C -CP |
| AUDIO-P.W.Board | | C2600 | 08S65669Y03 CAP,CER 224KX7R1H-CP |
| AUDIO-P.W.Board | | C2601 | 08S45677W20 CAP,CER.22RJ-CH1H-CP |
| AUDIO-P.W.Board | | C2602 | 08S45677W20 CAP,CER.22RJ-CH1H-CP |
| AUDIO-P.W.Board | | C2607 | 08S35349Y16 CAP,CER 105K-B1A -CP |
| AUDIO-P.W.Board | | C2608 | 08S65669Y03 CAP,CER 224KX7R1H-CP |
| AUDIO-P.W.Board | | C2609 | 08S65676Y03 CAP,CER 225KX7R1C-CP |
| AUDIO-P.W.Board | | C2610 | 08S35374W08 CAP,CER 474K-B1C -CP |
| AUDIO-P.W.Board | | C2611 | 08S45677W36 CAP,CER.101J-CH1H-CP |
| AUDIO-P.W.Board | | C2612 | 08S65669Y03 CAP,CER 224KX7R1H-CP |
| AUDIO-P.W.Board | | C2613 | 08S35349Y16 CAP,CER 105K-B1A -CP |
| AUDIO-P.W.Board | | C2616 | 08S45677W36 CAP,CER.101J-CH1H-CP |
| AUDIO-P.W.Board | | C2617 | 08S35349Y16 CAP,CER 105K-B1A -CP |
| AUDIO-P.W.Board | | C2618 | 08S35374W08 CAP,CER 474K-B1C -CP |
| AUDIO-P.W.Board | | C2619 | 08S35374W08 CAP,CER 474K-B1C -CP |
| AUDIO-P.W.Board | | C2620 | 08S35374W08 CAP,CER 474K-B1C -CP |
| AUDIO-P.W.Board | | C2621 | 08S35374W08 CAP,CER 474K-B1C -CP |
| AUDIO-P.W.Board | | C2800 | 08S65670Y07 CAP,CER 105KX5R1H-CP |
| AUDIO-P.W.Board | | C2801 | 08S65669Y03 CAP,CER 224KX7R1H-CP |
| AUDIO-P.W.Board | | C2802 | 08S65669Y03 CAP,CER 224KX7R1H-CP |
| AUDIO-P.W.Board | | C2803 | 08S45676W73 CAP,CER.103K-B1H -CP |
| AUDIO-P.W.Board | | C2804 | 08S65669Y03 CAP,CER 224KX7R1H-CP |

NOTE:The part that has not PART NUMBER will not be supplied.

| MODEL | Symbol No. | Parts No. | Description |
|-------|------------|-----------|-------------|
|-------|------------|-----------|-------------|

| | | | |
|-----------------|--|-----------------------|----------------------------------|
| AUDIO-P.W.Board | | C2805 | 08S65670Y04 CAP,CER 475KX5R1E-CP |
| AUDIO-P.W.Board | | C2806 | 08S65670Y04 CAP,CER 475KX5R1E-CP |
| AUDIO-P.W.Board | | C2807 | 08S65669Y03 CAP,CER 224KX7R1H-CP |
| AUDIO-P.W.Board | | C2808 | 08S45677W48 CAP,CER.331J-CH1H-CP |
| AUDIO-P.W.Board | | C2809 | 08S45677W48 CAP,CER.331J-CH1H-CP |
| AUDIO-P.W.Board | | C2810 | 08S45677W36 CAP,CER.101J-CH1H-CP |
| AUDIO-P.W.Board | | C2811 | 08S35349Y11 CAP,CER 223K-B1H -CP |
| AUDIO-P.W.Board | | C2812 | 08S65669Y03 CAP,CER 224KX7R1H-CP |
| AUDIO-P.W.Board | | C2813 | 08S65669Y03 CAP,CER 224KX7R1H-CP |
| AUDIO-P.W.Board | | C2815 | 08S65669Y03 CAP,CER 224KX7R1H-CP |
| AUDIO-P.W.Board | | C2816 | 08S65676Y08 CAP,CER 106K-X7R1ACP |
| AUDIO-P.W.Board | | C2817 | 08S65669Y03 CAP,CER 224KX7R1H-CP |
| AUDIO-P.W.Board | | C2818 | 08S65670Y07 CAP,CER 105KX5R1H-CP |
| AUDIO-P.W.Board | | C3000 | 08S45231Y16 CAP,CER 18RJ-CH1H-CP |
| AUDIO-P.W.Board | | C3002 | 08S82122F17 CAP,CER.15RJ-CH1H-CP |
| AUDIO-P.W.Board | | C3003 | 08S45231Y13 CAP,CER 10RD-CH1H-CP |
| AUDIO-P.W.Board | | C3004 | 08S45231Y18 CAP,CER 27RJ-CH1H-CP |
| AUDIO-P.W.Board | | C3005 | 08S45231Y38 CAP,CER 102J-CH1E-CP |
| AUDIO-P.W.Board | | C3006 | 08S82122F61 CAP,CER.102J-CH1H-CP |
| AUDIO-P.W.Board | | C3007 | 08S45676W73 CAP,CER.103K-B1H -CP |
| AUDIO-P.W.Board | | C3008 | 08S45676W73 CAP,CER.103K-B1H -CP |
| AUDIO-P.W.Board | | C3009 | 08S45232Y13 CAP,CER 223K-B1C -CP |
| AUDIO-P.W.Board | | C3010 | 08S45676W93 CAP,CER 224K-B1A -CP |
| AUDIO-P.W.Board | | C3011 | 08S45231Y38 CAP,CER 102J-CH1E-CP |
| AUDIO-P.W.Board | | C3012 | 08S45232Y08 CAP,CER 332K-B1H -CP |
| AUDIO-P.W.Board | | C3013 | 08S45232Y13 CAP,CER 223K-B1C -CP |
| AUDIO-P.W.Board | | C3015 | 08S45676W68 CAP,CER.392K-B1H -CP |
| AUDIO-P.W.Board | | C3016 | 08S45231Y38 CAP,CER 102J-CH1E-CP |
| AUDIO-P.W.Board | | C3020 | 08S35374W12 CAP,CER 106K-B0J -CP |
| AUDIO-P.W.Board | | C3023 | 08S65667Y01 CAP,CER 224KX5R1C-CP |
| AUDIO-P.W.Board | | C3024 | 08S45231Y24 CAP,CER 82RJ-CH1H-CP |
| AUDIO-P.W.Board | | C3100 | 08S45677W60 CAP,CER 102J-CH1H-CP |
| AUDIO-P.W.Board | | C3101 | 08S45677W12 CAP,CER.10RD-CH1H-CP |
| AUDIO-P.W.Board | | C3103 | 08S45231Y21 CAP,CER 47RJ-CH1H-CP |
| AUDIO-P.W.Board | | C3104 | 08S35350Y04 CAP,CER 105K-B1C -CP |
| AUDIO-P.W.Board | | C3105 | 08S45676W85 CAP,CER 104K-B1C -CP |
| AUDIO-P.W.Board | | C3106 | 08S45677W60 CAP,CER 102J-CH1H-CP |
| AUDIO-P.W.Board | | C3203 | 08S35350Y04 CAP,CER 105K-B1C -CP |
| AUDIO-P.W.Board | | C3204 | 08S65669Y03 CAP,CER 224KX7R1H-CP |
| AUDIO-P.W.Board | | C3300 | 08S65669Y03 CAP,CER 224KX7R1H-CP |
| AUDIO-P.W.Board | | C3400 | 08S65669Y03 CAP,CER 224KX7R1H-CP |
| AUDIO-P.W.Board | | C3401 | 08S65669Y03 CAP,CER 224KX7R1H-CP |
| AUDIO-P.W.Board | | C3402 | 08S35349Y16 CAP,CER 105K-B1A -CP |
| AUDIO-P.W.Board | | C3404 | 08S65128F89 CAP,CER 333K-B1H -CP |
| AUDIO-P.W.Board | | C3405 | 08S45539Y04 CAP,CER 103KX7R2J-CP |
| AUDIO-P.W.Board | | C3406 | 08S65669Y03 CAP,CER 224KX7R1H-CP |
| AUDIO-P.W.Board | | C3407 | 08S65669Y03 CAP,CER 224KX7R1H-CP |

NOTE:The part that has not PART NUMBER will not be supplied.

| MODEL | Symbol No. | Parts No. | Description |
|-----------------|---|------------------------|----------------------------------|
| AUDIO-P.W.Board | | C3408 | 08S65669Y03 CAP,CER 224KX7R1H-CP |
| AUDIO-P.W.Board | | C3409 | 08S65669Y03 CAP,CER 224KX7R1H-CP |
| AUDIO-P.W.Board | | C3410 | 08S65669Y03 CAP,CER 224KX7R1H-CP |
| AUDIO-P.W.Board | | C3411 | 08S65669Y03 CAP,CER 224KX7R1H-CP |
| AUDIO-P.W.Board | | C3412 | 08S65669Y03 CAP,CER 224KX7R1H-CP |
| AUDIO-P.W.Board | | C3413 | 08S65669Y03 CAP,CER 224KX7R1H-CP |
| AUDIO-P.W.Board | | C3415 | 08S65669Y03 CAP,CER 224KX7R1H-CP |
| AUDIO-P.W.Board | | C3417 | 08S65669Y03 CAP,CER 224KX7R1H-CP |
| AUDIO-P.W.Board | | C3418 | 08S65669Y03 CAP,CER 224KX7R1H-CP |
| AUDIO-P.W.Board | | C3419 | 08S65677Y06 CAP,CER 226MX7R1C-CP |
| AUDIO-P.W.Board | | C3420 | 08S65677Y06 CAP,CER 226MX7R1C-CP |
| AUDIO-P.W.Board | | C3501 | 08S45231Y38 CAP,CER 102J-CH1E-CP |
| AUDIO-P.W.Board | | C3502 | 08S65669Y03 CAP,CER 224KX7R1H-CP |
| AUDIO-P.W.Board | | C3503 | 08S65669Y03 CAP,CER 224KX7R1H-CP |
| AUDIO-P.W.Board | | C3600 | 08S65669Y03 CAP,CER 224KX7R1H-CP |
| AUDIO-P.W.Board | | C3601 | 08S45539Y01 CAP,CER 102KX7R2J-CP |
| AUDIO-P.W.Board | | C3602 | 08S45539Y01 CAP,CER 102KX7R2J-CP |
| AUDIO-P.W.Board | | C3603 | 08S45539Y04 CAP,CER 103KX7R2J-CP |
| AUDIO-P.W.Board | | C3604 | 08S45539Y01 CAP,CER 102KX7R2J-CP |
| AUDIO-P.W.Board | | C3605 | 08S45539Y01 CAP,CER 102KX7R2J-CP |
| AUDIO-P.W.Board | | C3606 | 08S45539Y01 CAP,CER 102KX7R2J-CP |
| AUDIO-P.W.Board | | C3607 | 08S75335Y06 CAP,CER 47RJ-CG2J-CP |
| AUDIO-P.W.Board | | C3608 | 08S45539Y01 CAP,CER 102KX7R2J-CP |
| AUDIO-P.W.Board | | C3609 | 08S45539Y01 CAP,CER 102KX7R2J-CP |
| AUDIO-P.W.Board | | C3610 | 08S45539Y01 CAP,CER 102KX7R2J-CP |
| AUDIO-P.W.Board | | C3611 | 08S45539Y04 CAP,CER 103KX7R2J-CP |
| AUDIO-P.W.Board | | C3612 | 08S75335Y06 CAP,CER 47RJ-CG2J-CP |
| AUDIO-P.W.Board | | C3613 | 08S45539Y02 CAP,CER 222KX7R2J-CP |
| AUDIO-P.W.Board | | C3614 | 08S45539Y02 CAP,CER 222KX7R2J-CP |
| AUDIO-P.W.Board | | C3801 | 08S65669Y03 CAP,CER 224KX7R1H-CP |
| AUDIO-P.W.Board | | CB2000 | 09-14451Z06 FFC,502790-3091 -ED |
| AUDIO-P.W.Board | | CB3201 | 09-05987Z03 WTB,BM06B-PASS-TFTEE |
| AUDIO-P.W.Board | | CB3300 | 09T25436Y02 WTB,53253-0270 -DB |
| AUDIO-P.W.Board |  | CB3600 | 09T35473Y16 WTB,F169B001-16 -DB |
| AUDIO-P.W.Board |  | CB3601 | 09-07665Z04 WTB,S20B-PADSS-1 -DB |
| AUDIO-P.W.Board | | CH3202 | 09-19908Z01 BTB,IMSA9985S-140YEZ |
| AUDIO-P.W.Board | | D2200 | 48-05164Z01 DIO,1SS352-TPH3 -CP |
| AUDIO-P.W.Board | | D2400 | 48-07154Z01 DIO,1SS336-L -CP |
| AUDIO-P.W.Board | | D2401 | 48-07154Z01 DIO,1SS336-L -CP |
| AUDIO-P.W.Board | | D2402 | 48-07154Z01 DIO,1SS336-L -CP |
| AUDIO-P.W.Board | | D2600 | 48T25665Y01 DIO,1SS355-TE17 -CP |
| AUDIO-P.W.Board | | D2601 | 48-07154Z01 DIO,1SS336-L -CP |
| AUDIO-P.W.Board | | D2800 | 48T63462F01 DIO,DAN202K-96 -CP |
| AUDIO-P.W.Board | | D2802 | 48-19711Z01 DIO,BAV99W -CP |
| AUDIO-P.W.Board | | D2803 | 48-05965Z01 DIO,1SS361-L -CP |
| AUDIO-P.W.Board | | D3000 | 48-17547Z01 DIO,DA3J101F0L -CP |
| AUDIO-P.W.Board | | D3401 | 48T75527Y01 DIO,1SR154-400 -E1 |

NOTE:The part that has not PART NUMBER will not be supplied.

| MODEL | Symbol No. | Parts No. | Description |
|-------|------------|-----------|-------------|
|-------|------------|-----------|-------------|

| | | | | |
|-----------------|--|-----------------------|-------------|----------------------|
| AUDIO-P.W.Board | | D3500 | 48-05164Z01 | DIO,1SS352-TPH3 -CP |
| AUDIO-P.W.Board | | E2000 | 23T65114Y07 | CAP,FK 331-0J-D8-E6 |
| AUDIO-P.W.Board | | E2200 | 23S75244Y20 | CAP,ELY 221-1C -E6 |
| AUDIO-P.W.Board | | E2201 | 23S75244Y04 | CAP,ELY 221-0J -E6 |
| AUDIO-P.W.Board | | E2202 | 23S75244Y25 | CAP,ELY 22R-1E -E3 |
| AUDIO-P.W.Board | | E2203 | 23S75244Y25 | CAP,ELY 22R-1E -E3 |
| AUDIO-P.W.Board | | E2204 | 23S75244Y28 | CAP,ELY 101-1E -E6 |
| AUDIO-P.W.Board | | E2206 | 23S75244Y27 | CAP,ELY 47R-1E -E6 |
| AUDIO-P.W.Board | | E2207 | 23S75244Y27 | CAP,ELY 47R-1E -E6 |
| AUDIO-P.W.Board | | E2208 | 23S75244Y30 | CAP,ELY 331-1E -EA |
| AUDIO-P.W.Board | | E2209 | 23T65114Y25 | CAP,FK 10R-1E-B -E2 |
| AUDIO-P.W.Board | | E2210 | 23S75244Y25 | CAP,ELY 22R-1E -E3 |
| AUDIO-P.W.Board | | E2211 | 23S75244Y25 | CAP,ELY 22R-1E -E3 |
| AUDIO-P.W.Board | | E2212 | 23S75244Y02 | CAP,ELY 47R-0J -E2 |
| AUDIO-P.W.Board | | E2213 | 23S75244Y25 | CAP,ELY 22R-1E -E3 |
| AUDIO-P.W.Board | | E2214 | 23S75244Y18 | CAP,ELY 47R-1C -E3 |
| AUDIO-P.W.Board | | E2400 | 23S75244Y17 | CAP,ELY 22R-1C -E2 |
| AUDIO-P.W.Board | | E2401 | 23S75244Y17 | CAP,ELY 22R-1C -E2 |
| AUDIO-P.W.Board | | E2402 | 23T75234Y15 | CAP,MAR 3R3-1H-D55E2 |
| AUDIO-P.W.Board | | E2403 | 23T75234Y15 | CAP,MAR 3R3-1H-D55E2 |
| AUDIO-P.W.Board | | E2404 | 23T75234Y15 | CAP,MAR 3R3-1H-D55E2 |
| AUDIO-P.W.Board | | E2405 | 23T75234Y15 | CAP,MAR 3R3-1H-D55E2 |
| AUDIO-P.W.Board | | E2406 | 23T75234Y15 | CAP,MAR 3R3-1H-D55E2 |
| AUDIO-P.W.Board | | E2407 | 23T75234Y15 | CAP,MAR 3R3-1H-D55E2 |
| AUDIO-P.W.Board | | E2408 | 23T75234Y21 | CAP,MAR 33R-1E-F55E6 |
| AUDIO-P.W.Board | | E2409 | 23S75244Y25 | CAP,ELY 22R-1E -E3 |
| AUDIO-P.W.Board | | E2410 | 23S75244Y17 | CAP,ELY 22R-1C -E2 |
| AUDIO-P.W.Board | | E2411 | 23S65134W73 | CAP,ELY 4R7-1H(5)-E3 |
| AUDIO-P.W.Board | | E2412 | 23S65134W65 | CAP,ELY 1R0-1H(3)-E2 |
| AUDIO-P.W.Board | | E2413 | 23S65134W65 | CAP,ELY 1R0-1H(3)-E2 |
| AUDIO-P.W.Board | | E2414 | 23S65134W65 | CAP,ELY 1R0-1H(3)-E2 |
| AUDIO-P.W.Board | | E2415 | 23S65134W65 | CAP,ELY 1R0-1H(3)-E2 |
| AUDIO-P.W.Board | | E2416 | 23S65134W65 | CAP,ELY 1R0-1H(3)-E2 |
| AUDIO-P.W.Board | | E2417 | 23S65134W65 | CAP,ELY 1R0-1H(3)-E2 |
| AUDIO-P.W.Board | | E2418 | 23S75244Y19 | CAP,ELY 101-1C -E6 |
| AUDIO-P.W.Board | | E2601 | 23T65114Y25 | CAP,FK 10R-1E-B -E2 |
| AUDIO-P.W.Board | | E2602 | 23T65114Y25 | CAP,FK 10R-1E-B -E2 |
| AUDIO-P.W.Board | | E2603 | 23S75244Y18 | CAP,ELY 47R-1C -E3 |
| AUDIO-P.W.Board | | E2604 | 23T75234Y15 | CAP,MAR 3R3-1H-D55E2 |
| AUDIO-P.W.Board | | E2605 | 23T75234Y15 | CAP,MAR 3R3-1H-D55E2 |
| AUDIO-P.W.Board | | E2606 | 23S65134W73 | CAP,ELY 4R7-1H(5)-E3 |
| AUDIO-P.W.Board | | E2607 | 23S75244Y17 | CAP,ELY 22R-1C -E2 |
| AUDIO-P.W.Board | | E2608 | 23-02519Z14 | CAP,FC 10R-1C-B -E2 |
| AUDIO-P.W.Board | | E2609 | 23-02519Z14 | CAP,FC 10R-1C-B -E2 |
| AUDIO-P.W.Board | | E2610 | 23S75244Y17 | CAP,ELY 22R-1C -E2 |
| AUDIO-P.W.Board | | E2611 | 23-02519Z14 | CAP,FC 10R-1C-B -E2 |
| AUDIO-P.W.Board | | E2612 | 23-02519Z14 | CAP,FC 10R-1C-B -E2 |

NOTE:The part that has not PART NUMBER will not be supplied.

| MODEL | Symbol No. | Parts No. | Description |
|-------|------------|-----------|-------------|
|-------|------------|-----------|-------------|

| | | | |
|-----------------|---|------------------------|----------------------------------|
| AUDIO-P.W.Board | | E3000 | 23S75244Y18 CAP,ELY 47R-1C -E3 |
| AUDIO-P.W.Board | | E3300 | 23S65134W45 CAP,ELY 33R-1E(6)-E6 |
| AUDIO-P.W.Board | | E3400 | 23T75543Y01 CAP,MVA 331-0J -E6 |
| AUDIO-P.W.Board | | E3401 | 23S75244Y19 CAP,ELY 101-1C -E6 |
| AUDIO-P.W.Board | | E3402 | 23S75244Y20 CAP,ELY 221-1C -E6 |
| AUDIO-P.W.Board | | E3404 | 23S75244Y28 CAP,ELY 101-1E -E6 |
| AUDIO-P.W.Board | | E3405 | 23S65134W45 CAP,ELY 33R-1E(6)-E6 |
| AUDIO-P.W.Board | | E3406 | 23T65114Y25 CAP,FK 10R-1E-B -E2 |
| AUDIO-P.W.Board | | E3407 | 23S75244Y20 CAP,ELY 221-1C -E6 |
| AUDIO-P.W.Board | | E3408 | 23S75244Y30 CAP,ELY 331-1E -EA |
| AUDIO-P.W.Board | | E3409 | 23T65114Y15 CAP,FK 681-1A-F -EA |
| AUDIO-P.W.Board | | E3410 | 23S75244Y25 CAP,ELY 22R-1E -E3 |
| AUDIO-P.W.Board | | E3411 | 23S75244Y31 CAP,ELY 471-1E -EA |
| AUDIO-P.W.Board | | E3412 | 23S75244Y30 CAP,ELY 331-1E -EA |
| AUDIO-P.W.Board | | E3600 | 23-04209Z04 CAP,KRG 472-1C + |
| AUDIO-P.W.Board | | E3800 | 23S75244Y19 CAP,ELY 101-1C -E6 |
| AUDIO-P.W.Board | | IC2000 | 51-18768Z01 BR24S08FVM-WTR -SE1 |
| AUDIO-P.W.Board | | IC2001 | 83-23717Z52 V0.980G500-8BU_US |
| AUDIO-P.W.Board | | IC2002 | 51-04315Z01 BU4228G-TR -CP |
| AUDIO-P.W.Board | | IC2200 | 51-15650Z01 SAF7741HV/N115 -QT |
| AUDIO-P.W.Board | | IC2201 | 51T55517Y01 NJU7223DL118-TE1-NE5 |
| AUDIO-P.W.Board | | IC2202 | 51T15647Y01 NJM4558V-TE2 -SE2 |
| AUDIO-P.W.Board | | IC2400 | 51-13600Z01 TDA7717 -QT |
| AUDIO-P.W.Board | | IC2401 | 51-18799Z01 AK4386VT-E2 -SE2 |
| AUDIO-P.W.Board | | IC2402 | 51-22154Z01 NJW1240V-TE2 -SE9 |
| AUDIO-P.W.Board | | IC2600 | 51-16882Z01 TDA7851F -ZS |
| AUDIO-P.W.Board | | IC2601 | 51-18799Z01 AK4386VT-E2 -SE2 |
| AUDIO-P.W.Board | | IC2602 | 51-05314Z01 BA4560RFVM-TR -SE1 |
| AUDIO-P.W.Board | | IC2800 | 51-02032Z01 TC7SET02FU-TE85L -CP |
| AUDIO-P.W.Board | | IC2801 | 51T15192Y02 TC74VHC14FT,K-EL-SE5 |
| AUDIO-P.W.Board | | IC2802 | 51T15194Y02 TC74VHCT08AFT,K -SE5 |
| AUDIO-P.W.Board | | IC2803 | 51T15614Y01 TC74HC4051AFT-EL-SE5 |
| AUDIO-P.W.Board | | IC2804 | 51-12745Z01 BH7073G-TR -CP |
| AUDIO-P.W.Board | | IC3000 | 51-15831Z01 TEF7000 -LT |
| AUDIO-P.W.Board | | IC3300 | 51-14227Z01 BD6221HFP-TR -NE9 |
| AUDIO-P.W.Board | | IC3400 | 51T25259Y03 BA00ASFP-E2 -NE5 |
| AUDIO-P.W.Board | | IC3401 | 51-13711Z02 TB2920AHQ -ZS |
| AUDIO-P.W.Board | | IC3500 | 51T65016Y19 S-80930CNMC-T2 -CP |
| AUDIO-P.W.Board |  | JK3600 | 09-19159Z02 JAC,HSJ2636-011041EA |
| AUDIO-P.W.Board | | L2200 | 24T95456W11 FBI,BLM18AG601SH1-CP |
| AUDIO-P.W.Board | | L2201 | 24T95456W11 FBI,BLM18AG601SH1-CP |
| AUDIO-P.W.Board | | L2202 | 24T95456W11 FBI,BLM18AG601SH1-CP |
| AUDIO-P.W.Board | | L2203 | 24T95456W11 FBI,BLM18AG601SH1-CP |
| AUDIO-P.W.Board | | L2204 | 24T95456W11 FBI,BLM18AG601SH1-CP |
| AUDIO-P.W.Board | | L2205 | 24T95456W11 FBI,BLM18AG601SH1-CP |
| AUDIO-P.W.Board | | L2206 | 24T95456W11 FBI,BLM18AG601SH1-CP |
| AUDIO-P.W.Board | | L2208 | 24T95456W11 FBI,BLM18AG601SH1-CP |

NOTE:The part that has not PART NUMBER will not be supplied.

| MODEL | Symbol No. | Parts No. | Description |
|-------|------------|-----------|-------------|
|-------|------------|-----------|-------------|

| | | | | |
|-----------------|--|-----------------------|-------------|----------------------|
| AUDIO-P.W.Board | | L2209 | 24T95456W11 | FBI,BLM18AG601SH1-CP |
| AUDIO-P.W.Board | | L2210 | 24T95456W11 | FBI,BLM18AG601SH1-CP |
| AUDIO-P.W.Board | | L2211 | 24T95456W11 | FBI,BLM18AG601SH1-CP |
| AUDIO-P.W.Board | | L2212 | 24T95456W11 | FBI,BLM18AG601SH1-CP |
| AUDIO-P.W.Board | | L2213 | 24T95456W11 | FBI,BLM18AG601SH1-CP |
| AUDIO-P.W.Board | | L2214 | 24T95456W11 | FBI,BLM18AG601SH1-CP |
| AUDIO-P.W.Board | | L2215 | 24T95456W11 | FBI,BLM18AG601SH1-CP |
| AUDIO-P.W.Board | | L2216 | 24T95456W11 | FBI,BLM18AG601SH1-CP |
| AUDIO-P.W.Board | | L2217 | 24T95456W11 | FBI,BLM18AG601SH1-CP |
| AUDIO-P.W.Board | | L2400 | 24T25164Y28 | IND,FSLM2520 18RJ-CP |
| AUDIO-P.W.Board | | L2800 | 24T65067Y02 | FBI,MMZ1005S601AT-CP |
| AUDIO-P.W.Board | | L3000 | 24T55476Y02 | IND,LLQ2012 R27J -CP |
| AUDIO-P.W.Board | | L3001 | 24T25164Y18 | IND,FSLM2520 2R7J-CP |
| AUDIO-P.W.Board | | L3002 | 24T25164Y16 | IND,FSLM2520 1R8J-CP |
| AUDIO-P.W.Board | | L3003 | 24T55476Y13 | IND,LLQ2012 R22J -CP |
| AUDIO-P.W.Board | | L3004 | 24-17733Z02 | IND,NLCV32T-331K -CP |
| AUDIO-P.W.Board | | L3005 | 24-17733Z02 | IND,NLCV32T-331K -CP |
| AUDIO-P.W.Board | | L3007 | 24T95456W11 | FBI,BLM18AG601SH1-CP |
| AUDIO-P.W.Board | | L3008 | 24T55476Y13 | IND,LLQ2012 R22J -CP |
| AUDIO-P.W.Board | | L3009 | 24-09036Z01 | IND,LQW18AN R039J-CP |
| AUDIO-P.W.Board | | L3100 | 24T25164Y21 | IND,FSLM2520 4R7J-CP |
| AUDIO-P.W.Board | | L3101 | 24T25164Y05 | IND,FSLM2520 R22J-CP |
| AUDIO-P.W.Board | | L3401 | 24-06212Z03 | FBI,BLM15AG121SH1-CP |
| AUDIO-P.W.Board | | L3402 | 24T95456W11 | FBI,BLM18AG601SH1-CP |
| AUDIO-P.W.Board | | L3500 | 24T95456W11 | FBI,BLM18AG601SH1-CP |
| AUDIO-P.W.Board | | Q2400 | 48T75180Y04 | TR,IMH23-T110 -CP |
| AUDIO-P.W.Board | | Q2401 | 48T75180Y04 | TR,IMH23-T110 -CP |
| AUDIO-P.W.Board | | Q2402 | 48T75180Y04 | TR,IMH23-T110 -CP |
| AUDIO-P.W.Board | | Q2600 | 48T25737Y02 | TR,UMD3N-TR -CP |
| AUDIO-P.W.Board | | Q2601 | 48T94606F03 | TR,DTC124EUA-T106-CP |
| AUDIO-P.W.Board | | Q2602 | 48T25737Y02 | TR,UMD3N-TR -CP |
| AUDIO-P.W.Board | | Q2603 | 48T94606F03 | TR,DTC124EUA-T106-CP |
| AUDIO-P.W.Board | | Q2604 | 48T94606F03 | TR,DTC124EUA-T106-CP |
| AUDIO-P.W.Board | | Q2605 | 48T75180Y04 | TR,IMH23-T110 -CP |
| AUDIO-P.W.Board | | Q2800 | 48-13000Z01 | TR,LTC114EUBFS8-TLCP |
| AUDIO-P.W.Board | | Q2801 | 48T63420F01 | TR,2SA1037AK-146 -CP |
| AUDIO-P.W.Board | | Q2802 | 48-12999Z01 | TR,LTA114EUBFS8-TLCP |
| AUDIO-P.W.Board | | Q2803 | 48T63417F03 | TR,C2412K-BR-96 -CP |
| AUDIO-P.W.Board | | Q2804 | 48-13000Z07 | TR,LTC144EUBFS8-TLCP |
| AUDIO-P.W.Board | | Q2805 | 48T94606F03 | TR,DTC124EUA-T106-CP |
| AUDIO-P.W.Board | | Q3100 | 48T90478F02 | TR,2SC3356-R24-T1-CP |
| AUDIO-P.W.Board | | Q3400 | 48T94606F08 | TR,DTC143EUA-T106-CP |
| AUDIO-P.W.Board | | Q3401 | 48-17872Z01 | TR,2PA1576Q -CP |
| AUDIO-P.W.Board | | Q3500 | 48T25737Y02 | TR,UMD3N-TR -CP |
| AUDIO-P.W.Board | | R2000 | 06S15615Y25 | RES,RK 101J 1/16 -CP |
| AUDIO-P.W.Board | | R2001 | 06S15615Y25 | RES,RK 101J 1/16 -CP |
| AUDIO-P.W.Board | | R2002 | 06S15615Y49 | RES,RK 102J 1/16 -CP |

NOTE:The part that has not PART NUMBER will not be supplied.

| MODEL | Symbol No. | Parts No. | Description |
|-------|------------|-----------|-------------|
|-------|------------|-----------|-------------|

| | | | |
|-----------------|--|-----------------------|----------------------------------|
| AUDIO-P.W.Board | | R2003 | 06S15615Y25 RES,RK 101J 1/16 -CP |
| AUDIO-P.W.Board | | R2004 | 06S15615Y25 RES,RK 101J 1/16 -CP |
| AUDIO-P.W.Board | | R2005 | 06S15615Y25 RES,RK 101J 1/16 -CP |
| AUDIO-P.W.Board | | R2007 | 06S15615Y25 RES,RK 101J 1/16 -CP |
| AUDIO-P.W.Board | | R2009 | 06S15615Y81 RES,RK 223J 1/16 -CP |
| AUDIO-P.W.Board | | R2010 | 06S15615Y25 RES,RK 101J 1/16 -CP |
| AUDIO-P.W.Board | | R2011 | 06S15615Y49 RES,RK 102J 1/16 -CP |
| AUDIO-P.W.Board | | R2012 | 06S15615Y81 RES,RK 223J 1/16 -CP |
| AUDIO-P.W.Board | | R2013 | 06S15615Y81 RES,RK 223J 1/16 -CP |
| AUDIO-P.W.Board | | R2014 | 06S15615Y25 RES,RK 101J 1/16 -CP |
| AUDIO-P.W.Board | | R2015 | 06S15615Y25 RES,RK 101J 1/16 -CP |
| AUDIO-P.W.Board | | R2016 | 06S65415Y41 RES,RK 223F 1/16 -CP |
| AUDIO-P.W.Board | | R2017 | 06S15615Y25 RES,RK 101J 1/16 -CP |
| AUDIO-P.W.Board | | R2018 | 06S15615Y25 RES,RK 101J 1/16 -CP |
| AUDIO-P.W.Board | | R2019 | 06S15615Y25 RES,RK 101J 1/16 -CP |
| AUDIO-P.W.Board | | R2020 | 06S15615Y49 RES,RK 102J 1/16 -CP |
| AUDIO-P.W.Board | | R2021 | 06S15615Y25 RES,RK 101J 1/16 -CP |
| AUDIO-P.W.Board | | R2022 | 06S15615Y25 RES,RK 101J 1/16 -CP |
| AUDIO-P.W.Board | | R2023 | 06S15615Y49 RES,RK 102J 1/16 -CP |
| AUDIO-P.W.Board | | R2025 | 06S15615Y25 RES,RK 101J 1/16 -CP |
| AUDIO-P.W.Board | | R2026 | 06S65415Y37 RES,RK 103F 1/16 -CP |
| AUDIO-P.W.Board | | R2027 | 06S15615Y25 RES,RK 101J 1/16 -CP |
| AUDIO-P.W.Board | | R2028 | 06S15615Y65 RES,RK 472J 1/16 -CP |
| AUDIO-P.W.Board | | R2029 | 06S15615Y65 RES,RK 472J 1/16 -CP |
| AUDIO-P.W.Board | | R2030 | 06S15615Y25 RES,RK 101J 1/16 -CP |
| AUDIO-P.W.Board | | R2031 | 06S15615Y81 RES,RK 223J 1/16 -CP |
| AUDIO-P.W.Board | | R2033 | 06S15615Y49 RES,RK 102J 1/16 -CP |
| AUDIO-P.W.Board | | R2034 | 06S65415Y37 RES,RK 103F 1/16 -CP |
| AUDIO-P.W.Board | | R2035 | 06S15615Y49 RES,RK 102J 1/16 -CP |
| AUDIO-P.W.Board | | R2036 | 06S65415Y37 RES,RK 103F 1/16 -CP |
| AUDIO-P.W.Board | | R2038 | 06S65415Y37 RES,RK 103F 1/16 -CP |
| AUDIO-P.W.Board | | R2040 | 06S15616Y23 RES,RK JUMPER1/16-CP |
| AUDIO-P.W.Board | | R2041 | 06S65415Y37 RES,RK 103F 1/16 -CP |
| AUDIO-P.W.Board | | R2042 | 06S15615Y49 RES,RK 102J 1/16 -CP |
| AUDIO-P.W.Board | | R2043 | 06S15615Y49 RES,RK 102J 1/16 -CP |
| AUDIO-P.W.Board | | R2044 | 06S15615Y25 RES,RK 101J 1/16 -CP |
| AUDIO-P.W.Board | | R2045 | 06S15615Y25 RES,RK 101J 1/16 -CP |
| AUDIO-P.W.Board | | R2047 | 06S15615Y89 RES,RK 473J 1/16 -CP |
| AUDIO-P.W.Board | | R2048 | 06S15615Y25 RES,RK 101J 1/16 -CP |
| AUDIO-P.W.Board | | R2049 | 06S15615Y25 RES,RK 101J 1/16 -CP |
| AUDIO-P.W.Board | | R2050 | 06S15615Y81 RES,RK 223J 1/16 -CP |
| AUDIO-P.W.Board | | R2052 | 06S15615Y81 RES,RK 223J 1/16 -CP |
| AUDIO-P.W.Board | | R2053 | 06S15615Y25 RES,RK 101J 1/16 -CP |
| AUDIO-P.W.Board | | R2054 | 06S15615Y25 RES,RK 101J 1/16 -CP |
| AUDIO-P.W.Board | | R2055 | 06S15615Y25 RES,RK 101J 1/16 -CP |
| AUDIO-P.W.Board | | R2056 | 06S15615Y25 RES,RK 101J 1/16 -CP |
| AUDIO-P.W.Board | | R2057 | 06S15615Y25 RES,RK 101J 1/16 -CP |

NOTE:The part that has not PART NUMBER will not be supplied.

| MODEL | Symbol No. | Parts No. | Description |
|-------|------------|-----------|-------------|
|-------|------------|-----------|-------------|

| | | | |
|-----------------|--|-----------------------|----------------------------------|
| AUDIO-P.W.Board | | R2058 | 06S15615Y25 RES,RK 101J 1/16 -CP |
| AUDIO-P.W.Board | | R2059 | 06S15615Y25 RES,RK 101J 1/16 -CP |
| AUDIO-P.W.Board | | R2060 | 06S15615Y25 RES,RK 101J 1/16 -CP |
| AUDIO-P.W.Board | | R2062 | 06S15615Y25 RES,RK 101J 1/16 -CP |
| AUDIO-P.W.Board | | R2063 | 06S15616Y23 RES,RK JUMPER1/16-CP |
| AUDIO-P.W.Board | | R2064 | 06S15615Y89 RES,RK 473J 1/16 -CP |
| AUDIO-P.W.Board | | R2065 | 06S15615Y81 RES,RK 223J 1/16 -CP |
| AUDIO-P.W.Board | | R2066 | 06S15615Y81 RES,RK 223J 1/16 -CP |
| AUDIO-P.W.Board | | R2067 | 06S15615Y81 RES,RK 223J 1/16 -CP |
| AUDIO-P.W.Board | | R2068 | 06S15615Y25 RES,RK 101J 1/16 -CP |
| AUDIO-P.W.Board | | R2069 | 06S15615Y81 RES,RK 223J 1/16 -CP |
| AUDIO-P.W.Board | | R2070 | 06S15615Y65 RES,RK 472J 1/16 -CP |
| AUDIO-P.W.Board | | R2071 | 06S15615Y25 RES,RK 101J 1/16 -CP |
| AUDIO-P.W.Board | | R2072 | 06S15615Y25 RES,RK 101J 1/16 -CP |
| AUDIO-P.W.Board | | R2073 | 06S15615Y49 RES,RK 102J 1/16 -CP |
| AUDIO-P.W.Board | | R2074 | 06S15615Y25 RES,RK 101J 1/16 -CP |
| AUDIO-P.W.Board | | R2075 | 06S15615Y25 RES,RK 101J 1/16 -CP |
| AUDIO-P.W.Board | | R2076 | 06S15615Y25 RES,RK 101J 1/16 -CP |
| AUDIO-P.W.Board | | R2077 | 06S15615Y25 RES,RK 101J 1/16 -CP |
| AUDIO-P.W.Board | | R2078 | 06S15615Y17 RES,RK 47RJ 1/16 -CP |
| AUDIO-P.W.Board | | R2079 | 06S15615Y81 RES,RK 223J 1/16 -CP |
| AUDIO-P.W.Board | | R2083 | 06S15616Y23 RES,RK JUMPER1/16-CP |
| AUDIO-P.W.Board | | R2085 | 06S15615Y81 RES,RK 223J 1/16 -CP |
| AUDIO-P.W.Board | | R2086 | 06S15616Y23 RES,RK JUMPER1/16-CP |
| AUDIO-P.W.Board | | R2100 | 06S15615Y25 RES,RK 101J 1/16 -CP |
| AUDIO-P.W.Board | | R2101 | 06S15615Y25 RES,RK 101J 1/16 -CP |
| AUDIO-P.W.Board | | R2102 | 06S15615Y81 RES,RK 223J 1/16 -CP |
| AUDIO-P.W.Board | | R2103 | 06S15615Y81 RES,RK 223J 1/16 -CP |
| AUDIO-P.W.Board | | R2104 | 06S15615Y81 RES,RK 223J 1/16 -CP |
| AUDIO-P.W.Board | | R2200 | 06S45674W33 RES,RK 101J 1/10 -CP |
| AUDIO-P.W.Board | | R2206 | 06S45675W43 RES,RK JUMPER1/10-CP |
| AUDIO-P.W.Board | | R2207 | 06S45675W43 RES,RK JUMPER1/10-CP |
| AUDIO-P.W.Board | | R2208 | 06S65415Y37 RES,RK 103F 1/16 -CP |
| AUDIO-P.W.Board | | R2209 | 06S65415Y37 RES,RK 103F 1/16 -CP |
| AUDIO-P.W.Board | | R2210 | 06S65415Y37 RES,RK 103F 1/16 -CP |
| AUDIO-P.W.Board | | R2211 | 06S45675W43 RES,RK JUMPER1/10-CP |
| AUDIO-P.W.Board | | R2212 | 06S45675W43 RES,RK JUMPER1/10-CP |
| AUDIO-P.W.Board | | R2213 | 06S15615Y65 RES,RK 472J 1/16 -CP |
| AUDIO-P.W.Board | | R2214 | 06S15615Y65 RES,RK 472J 1/16 -CP |
| AUDIO-P.W.Board | | R2215 | 06S45675W43 RES,RK JUMPER1/10-CP |
| AUDIO-P.W.Board | | R2217 | 06S45674W31 RES,RK 82RJ 1/10 -CP |
| AUDIO-P.W.Board | | R2218 | 06S45674W31 RES,RK 82RJ 1/10 -CP |
| AUDIO-P.W.Board | | R2219 | 06S15615Y09 RES,RK 22RJ 1/16 -CP |
| AUDIO-P.W.Board | | R2220 | 06S15615Y09 RES,RK 22RJ 1/16 -CP |
| AUDIO-P.W.Board | | R2221 | 06S15615Y09 RES,RK 22RJ 1/16 -CP |
| AUDIO-P.W.Board | | R2222 | 06S45675W43 RES,RK JUMPER1/10-CP |
| AUDIO-P.W.Board | | R2223 | 06S45674W33 RES,RK 101J 1/10 -CP |

NOTE:The part that has not PART NUMBER will not be supplied.

| MODEL | Symbol No. | Parts No. | Description |
|-----------------|------------|-----------------------|----------------------------------|
| AUDIO-P.W.Board | | R2224 | 06S45674W33 RES,RK 101J 1/10 -CP |
| AUDIO-P.W.Board | | R2225 | 06S15616Y23 RES,RK JUMPER1/16-CP |
| AUDIO-P.W.Board | | R2226 | 06S45675W43 RES,RK JUMPER1/10-CP |
| AUDIO-P.W.Board | | R2227 | 06S45674W09 RES,RK 10RJ 1/10 -CP |
| AUDIO-P.W.Board | | R2228 | 06S45675W43 RES,RK JUMPER1/10-CP |
| AUDIO-P.W.Board | | R2229 | 06S45675W43 RES,RK JUMPER1/10-CP |
| AUDIO-P.W.Board | | R2231 | 06S45674W09 RES,RK 10RJ 1/10 -CP |
| AUDIO-P.W.Board | | R2232 | 06S15593Y68 RES,RK 622F 1/10 -CP |
| AUDIO-P.W.Board | | R2233 | 06S15593Y93 RES,RK 683F 1/10 -CP |
| AUDIO-P.W.Board | | R2234 | 06S15593Y69 RES,RK 682F 1/10 -CP |
| AUDIO-P.W.Board | | R2238 | 06S15593Y95 RES,RK 823F 1/10 -CP |
| AUDIO-P.W.Board | | R2240 | 06S45675W43 RES,RK JUMPER1/10-CP |
| AUDIO-P.W.Board | | R2241 | 06S45675W43 RES,RK JUMPER1/10-CP |
| AUDIO-P.W.Board | | R2242 | 06S65415Y23 RES,RK 681F 1/16 -CP |
| AUDIO-P.W.Board | | R2243 | 06S65415Y45 RES,RK 473F 1/16 -CP |
| AUDIO-P.W.Board | | R2244 | 06S65415Y45 RES,RK 473F 1/16 -CP |
| AUDIO-P.W.Board | | R2245 | 06S65415Y23 RES,RK 681F 1/16 -CP |
| AUDIO-P.W.Board | | R2246 | 06S65415Y35 RES,RK 682F 1/16 -CP |
| AUDIO-P.W.Board | | R2247 | 06S15615Y52 RES,RK 132J 1/16 -CP |
| AUDIO-P.W.Board | | R2248 | 06S55365Y98 RES,RK 243J 1/10 -CP |
| AUDIO-P.W.Board | | R2250 | 06S65415Y41 RES,RK 223F 1/16 -CP |
| AUDIO-P.W.Board | | R2251 | 06S45675W43 RES,RK JUMPER1/10-CP |
| AUDIO-P.W.Board | | R2252 | 06S15615Y09 RES,RK 22RJ 1/16 -CP |
| AUDIO-P.W.Board | | R2253 | 06S15615Y09 RES,RK 22RJ 1/16 -CP |
| AUDIO-P.W.Board | | R2254 | 06S45674W33 RES,RK 101J 1/10 -CP |
| AUDIO-P.W.Board | | R2255 | 06S65415Y31 RES,RK 332F 1/16 -CP |
| AUDIO-P.W.Board | | R2256 | 06S65415Y31 RES,RK 332F 1/16 -CP |
| AUDIO-P.W.Board | | R2257 | 06S15616Y06 RES,RK 224J 1/16 -CP |
| AUDIO-P.W.Board | | R2258 | 06S70072F53 RES,CP .102-J-1/4-CP |
| AUDIO-P.W.Board | | R2259 | 06S15616Y06 RES,RK 224J 1/16 -CP |
| AUDIO-P.W.Board | | R2260 | 06S70072F53 RES,CP .102-J-1/4-CP |
| AUDIO-P.W.Board | | R2261 | 06S15615Y09 RES,RK 22RJ 1/16 -CP |
| AUDIO-P.W.Board | | R2264 | 06S15615Y33 RES,RK 221J 1/16 -CP |
| AUDIO-P.W.Board | | R2265 | 06S45675W43 RES,RK JUMPER1/10-CP |
| AUDIO-P.W.Board | | R2266 | 06S15615Y09 RES,RK 22RJ 1/16 -CP |
| AUDIO-P.W.Board | | R2267 | 06S45675W43 RES,RK JUMPER1/10-CP |
| AUDIO-P.W.Board | | R2268 | 06S45675W43 RES,RK JUMPER1/10-CP |
| AUDIO-P.W.Board | | R2269 | 06S15615Y09 RES,RK 22RJ 1/16 -CP |
| AUDIO-P.W.Board | | R2272 | 06S65415Y42 RES,RK 273F 1/16 -CP |
| AUDIO-P.W.Board | | R2273 | 06S65415Y42 RES,RK 273F 1/16 -CP |
| AUDIO-P.W.Board | | R2274 | 06S65415Y42 RES,RK 273F 1/16 -CP |
| AUDIO-P.W.Board | | R2275 | 06S65415Y42 RES,RK 273F 1/16 -CP |
| AUDIO-P.W.Board | | R2276 | 06S65415Y42 RES,RK 273F 1/16 -CP |
| AUDIO-P.W.Board | | R2277 | 06S65415Y42 RES,RK 273F 1/16 -CP |
| AUDIO-P.W.Board | | R2278 | 06S65415Y42 RES,RK 273F 1/16 -CP |
| AUDIO-P.W.Board | | R2279 | 06S65415Y42 RES,RK 273F 1/16 -CP |
| AUDIO-P.W.Board | | R2280 | 06S15615Y09 RES,RK 22RJ 1/16 -CP |

NOTE:The part that has not PART NUMBER will not be supplied.

| MODEL | Symbol No. | Parts No. | Description |
|-----------------|------------|-----------------------|----------------------------------|
| AUDIO-P.W.Board | | R2281 | 06S15615Y09 RES,RK 22RJ 1/16 -CP |
| AUDIO-P.W.Board | | R2282 | 06S70072F53 RES,CP .102-J-1/4-CP |
| AUDIO-P.W.Board | | R2283 | 06S15616Y23 RES,RK JUMPER1/16-CP |
| AUDIO-P.W.Board | | R2284 | 06S15616Y23 RES,RK JUMPER1/16-CP |
| AUDIO-P.W.Board | | R2286 | 06S45675W43 RES,RK JUMPER1/10-CP |
| AUDIO-P.W.Board | | R2400 | 06S45674W33 RES,RK 101J 1/10 -CP |
| AUDIO-P.W.Board | | R2401 | 06S45675W03 RES,RK 753J 1/10 -CP |
| AUDIO-P.W.Board | | R2402 | 06S45675W03 RES,RK 753J 1/10 -CP |
| AUDIO-P.W.Board | | R2403 | 06S45675W03 RES,RK 753J 1/10 -CP |
| AUDIO-P.W.Board | | R2404 | 06S45675W03 RES,RK 753J 1/10 -CP |
| AUDIO-P.W.Board | | R2405 | 06S45675W03 RES,RK 753J 1/10 -CP |
| AUDIO-P.W.Board | | R2406 | 06S45675W03 RES,RK 753J 1/10 -CP |
| AUDIO-P.W.Board | | R2407 | 06S70072F29 RES,CP .101-J-1/4-CP |
| AUDIO-P.W.Board | | R2408 | 06S70072F29 RES,CP .101-J-1/4-CP |
| AUDIO-P.W.Board | | R2409 | 06S70072F29 RES,CP .101-J-1/4-CP |
| AUDIO-P.W.Board | | R2410 | 06S70072F29 RES,CP .101-J-1/4-CP |
| AUDIO-P.W.Board | | R2411 | 06S70072F29 RES,CP .101-J-1/4-CP |
| AUDIO-P.W.Board | | R2412 | 06S70072F29 RES,CP .101-J-1/4-CP |
| AUDIO-P.W.Board | | R2413 | 06S70072F37 RES,CP .221-J-1/4-CP |
| AUDIO-P.W.Board | | R2414 | 06S70072F37 RES,CP .221-J-1/4-CP |
| AUDIO-P.W.Board | | R2415 | 06S70072F37 RES,CP .221-J-1/4-CP |
| AUDIO-P.W.Board | | R2416 | 06S70072F37 RES,CP .221-J-1/4-CP |
| AUDIO-P.W.Board | | R2417 | 06S70072F37 RES,CP .221-J-1/4-CP |
| AUDIO-P.W.Board | | R2418 | 06S70072F37 RES,CP .221-J-1/4-CP |
| AUDIO-P.W.Board | | R2420 | 06S15593Y70 RES,RK 752F 1/10 -CP |
| AUDIO-P.W.Board | | R2421 | 06S15616Y23 RES,RK JUMPER1/16-CP |
| AUDIO-P.W.Board | | R2423 | 06S70072F53 RES,CP .102-J-1/4-CP |
| AUDIO-P.W.Board | | R2424 | 06S70072F53 RES,CP .102-J-1/4-CP |
| AUDIO-P.W.Board | | R2425 | 06S70072F53 RES,CP .102-J-1/4-CP |
| AUDIO-P.W.Board | | R2426 | 06S70072F53 RES,CP .102-J-1/4-CP |
| AUDIO-P.W.Board | | R2428 | 06S45674W41 RES,RK 221J 1/10 -CP |
| AUDIO-P.W.Board | | R2429 | 06S15616Y23 RES,RK JUMPER1/16-CP |
| AUDIO-P.W.Board | | R2430 | 06S45674W33 RES,RK 101J 1/10 -CP |
| AUDIO-P.W.Board | | R2431 | 06S45675W43 RES,RK JUMPER1/10-CP |
| AUDIO-P.W.Board | | R2437 | 06S15593Y95 RES,RK 823F 1/10 -CP |
| AUDIO-P.W.Board | | R2438 | 06S15615Y49 RES,RK 102J 1/16 -CP |
| AUDIO-P.W.Board | | R2439 | 06S15616Y18 RES,RK 684J 1/16 -CP |
| AUDIO-P.W.Board | | R2440 | 06S15593Y89 RES,RK 473F 1/10 -CP |
| AUDIO-P.W.Board | | R2441 | 06S15594Y10 RES,RK 334F 1/10 -CP |
| AUDIO-P.W.Board | | R2442 | 06S45675W43 RES,RK JUMPER1/10-CP |
| AUDIO-P.W.Board | | R2500 | 06S15615Y17 RES,RK 47RJ 1/16 -CP |
| AUDIO-P.W.Board | | R2600 | 06S65415Y37 RES,RK 103F 1/16 -CP |
| AUDIO-P.W.Board | | R2601 | 06S65415Y38 RES,RK 123F 1/16 -CP |
| AUDIO-P.W.Board | | R2602 | 06S65415Y37 RES,RK 103F 1/16 -CP |
| AUDIO-P.W.Board | | R2603 | 06S45675W06 RES,RK 104J 1/10 -CP |
| AUDIO-P.W.Board | | R2604 | 06S45675W06 RES,RK 104J 1/10 -CP |
| AUDIO-P.W.Board | | R2605 | 06S65415Y38 RES,RK 123F 1/16 -CP |

NOTE:The part that has not PART NUMBER will not be supplied.




| MODEL | Symbol No. | Parts No. | Description |
|-------|------------|-----------|-------------|
|-------|------------|-----------|-------------|

| | | | |
|-----------------|--|-----------------------|----------------------------------|
| AUDIO-P.W.Board | | R2606 | 06S15615Y25 RES,RK 101J 1/16 -CP |
| AUDIO-P.W.Board | | R2607 | 06S65415Y37 RES,RK 103F 1/16 -CP |
| AUDIO-P.W.Board | | R2608 | 06S65415Y31 RES,RK 332F 1/16 -CP |
| AUDIO-P.W.Board | | R2609 | 06S65415Y37 RES,RK 103F 1/16 -CP |
| AUDIO-P.W.Board | | R2610 | 06S45674W33 RES,RK 101J 1/10 -CP |
| AUDIO-P.W.Board | | R2611 | 06S65415Y37 RES,RK 103F 1/16 -CP |
| AUDIO-P.W.Board | | R2612 | 06S15615Y33 RES,RK 221J 1/16 -CP |
| AUDIO-P.W.Board | | R2614 | 06S15615Y81 RES,RK 223J 1/16 -CP |
| AUDIO-P.W.Board | | R2615 | 06S45674W41 RES,RK 221J 1/10 -CP |
| AUDIO-P.W.Board | | R2616 | 06S45674W41 RES,RK 221J 1/10 -CP |
| AUDIO-P.W.Board | | R2617 | 06S45675W43 RES,RK JUMPER1/10-CP |
| AUDIO-P.W.Board | | R2618 | 06S45674W41 RES,RK 221J 1/10 -CP |
| AUDIO-P.W.Board | | R2619 | 06S45674W41 RES,RK 221J 1/10 -CP |
| AUDIO-P.W.Board | | R2620 | 06S45674W41 RES,RK 221J 1/10 -CP |
| AUDIO-P.W.Board | | R2621 | 06S45674W41 RES,RK 221J 1/10 -CP |
| AUDIO-P.W.Board | | R2622 | 06S15616Y23 RES,RK JUMPER1/16-CP |
| AUDIO-P.W.Board | | R2623 | 06S15593Y68 RES,RK 622F 1/10 -CP |
| AUDIO-P.W.Board | | R2624 | 06S45675W03 RES,RK 753J 1/10 -CP |
| AUDIO-P.W.Board | | R2625 | 06S45675W03 RES,RK 753J 1/10 -CP |
| AUDIO-P.W.Board | | R2626 | 06S70072F29 RES,CP .101-J-1/4-CP |
| AUDIO-P.W.Board | | R2627 | 06S70072F29 RES,CP .101-J-1/4-CP |
| AUDIO-P.W.Board | | R2628 | 06S70072F37 RES,CP .221-J-1/4-CP |
| AUDIO-P.W.Board | | R2629 | 06S70072F37 RES,CP .221-J-1/4-CP |
| AUDIO-P.W.Board | | R2630 | 06S15593Y93 RES,RK 683F 1/10 -CP |
| AUDIO-P.W.Board | | R2634 | 06S65415Y37 RES,RK 103F 1/16 -CP |
| AUDIO-P.W.Board | | R2800 | 06S15615Y81 RES,RK 223J 1/16 -CP |
| AUDIO-P.W.Board | | R2801 | 06S65415Y31 RES,RK 332F 1/16 -CP |
| AUDIO-P.W.Board | | R2802 | 06S15593Y57 RES,RK 222F 1/10 -CP |
| AUDIO-P.W.Board | | R2803 | 06S15615Y81 RES,RK 223J 1/16 -CP |
| AUDIO-P.W.Board | | R2804 | 06S45675W22 RES,RK 474J 1/10 -CP |
| AUDIO-P.W.Board | | R2805 | 06S35083Y08 RES,RK 39RF 1/4 -CP |
| AUDIO-P.W.Board | | R2806 | 06S35083Y82 RES,RK 36RF 1/4 -CP |
| AUDIO-P.W.Board | | R2808 | 06S70072F41 RES,CP .331-J-1/4-CP |
| AUDIO-P.W.Board | | R2809 | 06S15615Y33 RES,RK 221J 1/16 -CP |
| AUDIO-P.W.Board | | R2810 | 06S70072F77 RES,CP .103-J-1/4-CP |
| AUDIO-P.W.Board | | R2811 | 06S15615Y81 RES,RK 223J 1/16 -CP |
| AUDIO-P.W.Board | | R2812 | 06S15615Y25 RES,RK 101J 1/16 -CP |
| AUDIO-P.W.Board | | R2813 | 06S70072F77 RES,CP .103-J-1/4-CP |
| AUDIO-P.W.Board | | R2814 | 06S15615Y65 RES,RK 472J 1/16 -CP |
| AUDIO-P.W.Board | | R2815 | 06S35095Y01 RES,RK 333J 1/4 -CP |
| AUDIO-P.W.Board | | R2816 | 06S70072F77 RES,CP .103-J-1/4-CP |
| AUDIO-P.W.Board | | R2817 | 06S15615Y81 RES,RK 223J 1/16 -CP |
| AUDIO-P.W.Board | | R2818 | 06S15615Y65 RES,RK 472J 1/16 -CP |
| AUDIO-P.W.Board | | R2819 | 06S70072F77 RES,CP .103-J-1/4-CP |
| AUDIO-P.W.Board | | R2821 | 06S35083Y13 RES,RK 101F 1/4 -CP |
| AUDIO-P.W.Board | | R2822 | 06S35083Y13 RES,RK 101F 1/4 -CP |
| AUDIO-P.W.Board | | R2823 | 06S45674W87 RES,RK 183J 1/10 -CP |

NOTE:The part that has not PART NUMBER will not be supplied.

| MODEL | Symbol No. | Parts No. | Description |
|-----------------|------------|-----------------------|----------------------------------|
| AUDIO-P.W.Board | | R2824 | 06S45674W87 RES,RK 183J 1/10 -CP |
| AUDIO-P.W.Board | | R2825 | 06S15615Y81 RES,RK 223J 1/16 -CP |
| AUDIO-P.W.Board | | R2826 | 06S15615Y81 RES,RK 223J 1/16 -CP |
| AUDIO-P.W.Board | | R3000 | 06S65415Y15 RES,RK 151F 1/16 -CP |
| AUDIO-P.W.Board | | R3001 | 06S45348Y38 RES,RK 474F 1/4 -CP |
| AUDIO-P.W.Board | | R3002 | 06S45348Y38 RES,RK 474F 1/4 -CP |
| AUDIO-P.W.Board | | R3004 | 06S45674W39 RES,RK 181J 1/10 -CP |
| AUDIO-P.W.Board | | R3006 | 06S65415Y32 RES,RK 392F 1/16 -CP |
| AUDIO-P.W.Board | | R3007 | 06S65415Y41 RES,RK 223F 1/16 -CP |
| AUDIO-P.W.Board | | R3013 | 06S45674W33 RES,RK 101J 1/10 -CP |
| AUDIO-P.W.Board | | R3014 | 06S45675W43 RES,RK JUMPER1/10-CP |
| AUDIO-P.W.Board | | R3015 | 06S15615Y81 RES,RK 223J 1/16 -CP |
| AUDIO-P.W.Board | | R3016 | 06S45674W33 RES,RK 101J 1/10 -CP |
| AUDIO-P.W.Board | | R3100 | 06S65415Y41 RES,RK 223F 1/16 -CP |
| AUDIO-P.W.Board | | R3101 | 06S65415Y35 RES,RK 682F 1/16 -CP |
| AUDIO-P.W.Board | | R3103 | 06S65415Y05 RES,RK 22RF 1/16 -CP |
| AUDIO-P.W.Board | | R3104 | 06S15593Y19 RES,RK 56RF 1/10 -CP |
| AUDIO-P.W.Board | | R3105 | 06S35083Y19 RES,RK 331F 1/4 -CP |
| AUDIO-P.W.Board | | R3201 | 06S15615Y49 RES,RK 102J 1/16 -CP |
| AUDIO-P.W.Board | | R3400 | 06S15593Y53 RES,RK 152F 1/10 -CP |
| AUDIO-P.W.Board | | R3401 | 06S65415Y31 RES,RK 332F 1/16 -CP |
| AUDIO-P.W.Board | | R3402 | 06S15593Y50 RES,RK 112F 1/10 -CP |
| AUDIO-P.W.Board | | R3403 | 06S15593Y67 RES,RK 562F 1/10 -CP |
| AUDIO-P.W.Board | | R3404 | 06S65415Y37 RES,RK 103F 1/16 -CP |
| AUDIO-P.W.Board | | R3405 | 06S15593Y51 RES,RK 122F 1/10 -CP |
| AUDIO-P.W.Board | | R3407 | 06S45675W43 RES,RK JUMPER1/10-CP |
| AUDIO-P.W.Board | | R3408 | 06S15593Y69 RES,RK 682F 1/10 -CP |
| AUDIO-P.W.Board | | R3409 | 06S15593Y57 RES,RK 222F 1/10 -CP |
| AUDIO-P.W.Board | | R3410 | 06S55365Y98 RES,RK 243J 1/10 -CP |
| AUDIO-P.W.Board | | R3411 | 06S15615Y47 RES,RK 821J 1/16 -CP |
| AUDIO-P.W.Board | | R3413 | 06S35095Y01 RES,RK 333J 1/4 -CP |
| AUDIO-P.W.Board | | R3414 | 06S15593Y94 RES,RK 753F 1/10 -CP |
| AUDIO-P.W.Board | | R3416 | 06S35083Y34 RES,RK 562F 1/4 -CP |
| AUDIO-P.W.Board | | R3417 | 06S65415Y38 RES,RK 123F 1/16 -CP |
| AUDIO-P.W.Board | | R3418 | 06S70072F69 RES,CP .472-J-1/4-CP |
| AUDIO-P.W.Board | | R3419 | 06S15593Y67 RES,RK 562F 1/10 -CP |
| AUDIO-P.W.Board | | R3420 | 06S15593Y94 RES,RK 753F 1/10 -CP |
| AUDIO-P.W.Board | | R3425 | 06S70072F77 RES,CP .103-J-1/4-CP |
| AUDIO-P.W.Board | | R3426 | 06S15593Y71 RES,RK 822F 1/10 -CP |
| AUDIO-P.W.Board | | R3427 | 06S15593Y85 RES,RK 333F 1/10 -CP |
| AUDIO-P.W.Board | | R3431 | 06S15593Y81 RES,RK 223F 1/10 -CP |
| AUDIO-P.W.Board | | R3445 | 06S15616Y23 RES,RK JUMPER1/16-CP |
| AUDIO-P.W.Board | | R3501 | 06S15615Y73 RES,RK 103J 1/16 -CP |
| AUDIO-P.W.Board | | R3502 | 06S15615Y73 RES,RK 103J 1/16 -CP |
| AUDIO-P.W.Board | | R3503 | 06S35083Y37 RES,RK 103F 1/4 -CP |
| AUDIO-P.W.Board | | R3504 | 06S35083Y41 RES,RK 223F 1/4 -CP |
| AUDIO-P.W.Board | | R3505 | 06S65415Y44 RES,RK 393F 1/16 -CP |

NOTE:The part that has not PART NUMBER will not be supplied.

| MODEL | Symbol No. | Parts No. | Description |
|-----------------|---|-------------------------|----------------------------------|
| AUDIO-P.W.Board | | R3507 | 06S15615Y81 RES,RK 223J 1/16 -CP |
| AUDIO-P.W.Board | | R3600 | 06S45675W43 RES,RK JUMPER1/10-CP |
| AUDIO-P.W.Board | | R3801 | 06S15593Y96 RES,RK 913F 1/10 -CP |
| AUDIO-P.W.Board | | R3802 | 06S15593Y69 RES,RK 682F 1/10 -CP |
| AUDIO-P.W.Board | | RA2001 | 06S15771Y13 RES,ARYEXB28V101J-CP |
| AUDIO-P.W.Board | | RA2002 | 06S15771Y41 RES,ARYEXB28V223J-CP |
| AUDIO-P.W.Board | | RA2004 | 06S15771Y13 RES,ARYEXB28V101J-CP |
| AUDIO-P.W.Board | | RA2005 | 06S15771Y17 RES,ARYEXB28V221J-CP |
| AUDIO-P.W.Board | | RA2007 | 06S15771Y13 RES,ARYEXB28V101J-CP |
| AUDIO-P.W.Board | | RA2008 | 06S15771Y62 RES,ARYEXB28VR000-CP |
| AUDIO-P.W.Board | | RA2009 | 06S15771Y13 RES,ARYEXB28V101J-CP |
| AUDIO-P.W.Board | | RA2010 | 06S15771Y13 RES,ARYEXB28V101J-CP |
| AUDIO-P.W.Board | | RA2011 | 06S15771Y13 RES,ARYEXB28V101J-CP |
| AUDIO-P.W.Board | | RA2014 | 06S15771Y13 RES,ARYEXB28V101J-CP |
| AUDIO-P.W.Board | | RA2015 | 06S15771Y13 RES,ARYEXB28V101J-CP |
| AUDIO-P.W.Board | | SA3000 | 48-00954Z01 VST,CSA30C201M-T -CP |
| AUDIO-P.W.Board |  | SW2000 | 40T15494Y14 SW,DETCT SPVG2106-E6 |
| AUDIO-P.W.Board |  | SW2001 | 40T15494Y15 SW,DETCT SPVG1107-E6 |
| AUDIO-P.W.Board | | TML3000 | 29-16141Z01 OG-453070 -E5 |
| AUDIO-P.W.Board | | TML3001 | 29-16141Z01 OG-453070 -E5 |
| AUDIO-P.W.Board |  | TU3011 | TU-18289Z01 TMC,FM6 -E9 |
| AUDIO-P.W.Board | | VT3100 | 24-13705Z02 IND,CBM63C 261 -E6 |
| AUDIO-P.W.Board | | XL2000 | 91-16024Z01 XTL,AT-41CD2 3.98-E9 |
| AUDIO-P.W.Board | | XL2200 | 91-17642Z04 XTL,NX3225SA 41.6-CP |
| AUDIO-P.W.Board | | Z2200 | 91T15509Y08 EMI,BK1608HM102 -CP |
| AUDIO-P.W.Board | | Z2201 | 91T15509Y08 EMI,BK1608HM102 -CP |
| AUDIO-P.W.Board | | Z2202 | 91T15509Y07 EMI,BK1608HM601 -CP |
| AUDIO-P.W.Board | | Z2203 | 91T15509Y07 EMI,BK1608HM601 -CP |
| AUDIO-P.W.Board | | Z2204 | 91T15509Y07 EMI,BK1608HM601 -CP |
| AUDIO-P.W.Board | | ZD3501 | 48-16145Z40 DIO,ZEN PZU10B2 -CP |
| AUDIO-P.W.Board | | ZD3600 | 48-21879Z01 DIO,ZEN SM5S24A -EA |
| AUDIO-P.W.Board | | ZD3601 | 48-06525Z23 DIO,ZEN UDZS 18B -CP |
| AUDIO-P.W.Board | | ZD3602 | 48-06525Z23 DIO,ZEN UDZS 18B -CP |
| AUDIO-P.W.Board | | ZD3607 | 48-06525Z23 DIO,ZEN UDZS 18B -CP |
| AUDIO-P.W.Board | | ZD3608 | 48-06525Z23 DIO,ZEN UDZS 18B -CP |
| AUDIO-P.W.Board | | ZD3609 | 48-16292Z01 DIO,ZEN RSB16X3N -CP |
| AUDIO-P.W.Board | | ZD3610 | 48-06525Z23 DIO,ZEN UDZS 18B -CP |
| AUDIO-P.W.Board | | ZD3611 | 48-06525Z23 DIO,ZEN UDZS 18B -CP |
| ERATO-P.W.Board | | C6000 | 08S35374W12 CAP,CER 106K-B0J -CP |
| ERATO-P.W.Board | | C6001 | 08S45676W85 CAP,CER 104K-B1C -CP |
| ERATO-P.W.Board | | C6002 | 08S45232Y11 CAP,CER 103K-B1C -CP |
| ERATO-P.W.Board | | C6003 | 08S35374W12 CAP,CER 106K-B0J -CP |
| ERATO-P.W.Board | | C6004 | 08S45676W85 CAP,CER 104K-B1C -CP |
| ERATO-P.W.Board | | C6005 | 08S45232Y11 CAP,CER 103K-B1C -CP |
| ERATO-P.W.Board | | C6006 | 08S45232Y11 CAP,CER 103K-B1C -CP |
| ERATO-P.W.Board | | C6007 | 08S45676W85 CAP,CER 104K-B1C -CP |

NOTE:The part that has not PART NUMBER will not be supplied.

| MODEL | Symbol No. | Parts No. | Description |
|-------|------------|-----------|-------------|
|-------|------------|-----------|-------------|

| | | | | |
|-----------------|--|-----------------------|-------------|----------------------|
| ERATO-P.W.Board | | C6008 | 08S45676W85 | CAP,CER 104K-B1C -CP |
| ERATO-P.W.Board | | C6009 | 08S45232Y11 | CAP,CER 103K-B1C -CP |
| ERATO-P.W.Board | | C6010 | 08S45676W85 | CAP,CER 104K-B1C -CP |
| ERATO-P.W.Board | | C6011 | 08S35374W12 | CAP,CER 106K-B0J -CP |
| ERATO-P.W.Board | | C6012 | 08S45232Y11 | CAP,CER 103K-B1C -CP |
| ERATO-P.W.Board | | C6013 | 08S35374W12 | CAP,CER 106K-B0J -CP |
| ERATO-P.W.Board | | C6014 | 08S35374W12 | CAP,CER 106K-B0J -CP |
| ERATO-P.W.Board | | C6015 | 08S65676Y08 | CAP,CER 106K-X7R1ACP |
| ERATO-P.W.Board | | C6016 | 08S65676Y08 | CAP,CER 106K-X7R1ACP |
| ERATO-P.W.Board | | C6200 | 08S65670Y04 | CAP,CER 475KX5R1E-CP |
| ERATO-P.W.Board | | C6201 | 08S35349Y17 | CAP,CER 225K-B0J -CP |
| ERATO-P.W.Board | | C6202 | 08S65669Y03 | CAP,CER 224KX7R1H-CP |
| ERATO-P.W.Board | | C6203 | 08S35374W12 | CAP,CER 106K-B0J -CP |
| ERATO-P.W.Board | | C6204 | 08S45232Y17 | CAP,CER 104K-B0J -CP |
| ERATO-P.W.Board | | C6205 | 08S45232Y17 | CAP,CER 104K-B0J -CP |
| ERATO-P.W.Board | | C6206 | 08S45539Y01 | CAP,CER 102KX7R2J-CP |
| ERATO-P.W.Board | | C6207 | 08S65669Y03 | CAP,CER 224KX7R1H-CP |
| ERATO-P.W.Board | | C6208 | 08S65669Y03 | CAP,CER 224KX7R1H-CP |
| ERATO-P.W.Board | | C6209 | 08S65670Y04 | CAP,CER 475KX5R1E-CP |
| ERATO-P.W.Board | | C6210 | 08S45232Y17 | CAP,CER 104K-B0J -CP |
| ERATO-P.W.Board | | C6211 | 08S45232Y17 | CAP,CER 104K-B0J -CP |
| ERATO-P.W.Board | | C6212 | 08S45232Y17 | CAP,CER 104K-B0J -CP |
| ERATO-P.W.Board | | C6213 | 08S35349Y16 | CAP,CER 105K-B1A -CP |
| ERATO-P.W.Board | | C6214 | 08S65670Y04 | CAP,CER 475KX5R1E-CP |
| ERATO-P.W.Board | | C6215 | 08S65670Y04 | CAP,CER 475KX5R1E-CP |
| ERATO-P.W.Board | | C6216 | 08S65669Y03 | CAP,CER 224KX7R1H-CP |
| ERATO-P.W.Board | | C6217 | 08S35374W12 | CAP,CER 106K-B0J -CP |
| ERATO-P.W.Board | | C6218 | 08S35349Y16 | CAP,CER 105K-B1A -CP |
| ERATO-P.W.Board | | C6219 | 08S35349Y16 | CAP,CER 105K-B1A -CP |
| ERATO-P.W.Board | | C6220 | 08S35349Y16 | CAP,CER 105K-B1A -CP |
| ERATO-P.W.Board | | C6221 | 08S35349Y16 | CAP,CER 105K-B1A -CP |
| ERATO-P.W.Board | | C6222 | 08S35374W12 | CAP,CER 106K-B0J -CP |
| ERATO-P.W.Board | | C6223 | 08S65669Y03 | CAP,CER 224KX7R1H-CP |
| ERATO-P.W.Board | | C6224 | 08S45232Y05 | CAP,CER 102K-B1H -CP |
| ERATO-P.W.Board | | C6225 | 08S45232Y05 | CAP,CER 102K-B1H -CP |
| ERATO-P.W.Board | | C6226 | 08S35374W12 | CAP,CER 106K-B0J -CP |
| ERATO-P.W.Board | | C6227 | 08S45676W85 | CAP,CER 104K-B1C -CP |
| ERATO-P.W.Board | | C6228 | 08S35349Y17 | CAP,CER 225K-B0J -CP |
| ERATO-P.W.Board | | C6229 | 08S65669Y03 | CAP,CER 224KX7R1H-CP |
| ERATO-P.W.Board | | C6230 | 08S65669Y03 | CAP,CER 224KX7R1H-CP |
| ERATO-P.W.Board | | C6231 | 08S65669Y03 | CAP,CER 224KX7R1H-CP |
| ERATO-P.W.Board | | C6232 | 08S65669Y03 | CAP,CER 224KX7R1H-CP |
| ERATO-P.W.Board | | C6233 | 08S35374W12 | CAP,CER 106K-B0J -CP |
| ERATO-P.W.Board | | C6234 | 08S35374W12 | CAP,CER 106K-B0J -CP |
| ERATO-P.W.Board | | C6235 | 08S45676W85 | CAP,CER 104K-B1C -CP |
| ERATO-P.W.Board | | C6236 | 08S65669Y03 | CAP,CER 224KX7R1H-CP |
| ERATO-P.W.Board | | C6237 | 08S65669Y03 | CAP,CER 224KX7R1H-CP |

NOTE:The part that has not PART NUMBER will not be supplied.

| MODEL | Symbol No. | Parts No. | Description |
|-------|------------|-----------|-------------|
|-------|------------|-----------|-------------|

| | | | | |
|-----------------|--|-----------------------|-------------|----------------------|
| ERATO-P.W.Board | | C6238 | 08S65669Y03 | CAP,CER 224KX7R1H-CP |
| ERATO-P.W.Board | | C6239 | 08S45231Y17 | CAP,CER 22RJ-CH1H-CP |
| ERATO-P.W.Board | | C6240 | 08S45232Y05 | CAP,CER 102K-B1H -CP |
| ERATO-P.W.Board | | C6280 | 08S75335Y06 | CAP,CER 47RJ-CG2J-CP |
| ERATO-P.W.Board | | C6281 | 08S45539Y01 | CAP,CER 102KX7R2J-CP |
| ERATO-P.W.Board | | C6282 | 08S75335Y06 | CAP,CER 47RJ-CG2J-CP |
| ERATO-P.W.Board | | C6400 | 08S45231Y10 | CAP,CER 7R0D-CH1H-CP |
| ERATO-P.W.Board | | C6401 | 08S45231Y10 | CAP,CER 7R0D-CH1H-CP |
| ERATO-P.W.Board | | C6402 | 08S45231Y10 | CAP,CER 7R0D-CH1H-CP |
| ERATO-P.W.Board | | C6403 | 08S45231Y10 | CAP,CER 7R0D-CH1H-CP |
| ERATO-P.W.Board | | C6404 | 08S45231Y11 | CAP,CER 8R0D-CH1H-CP |
| ERATO-P.W.Board | | C6405 | 08S45231Y11 | CAP,CER 8R0D-CH1H-CP |
| ERATO-P.W.Board | | C6409 | 08S35349Y21 | CAP,CER 104K-B1H -CP |
| ERATO-P.W.Board | | C6701 | 08S45232Y21 | CAP,CER 104K-B1A-CP |
| ERATO-P.W.Board | | C6702 | 08S45232Y21 | CAP,CER 104K-B1A-CP |
| ERATO-P.W.Board | | C6703 | 08S45232Y21 | CAP,CER 104K-B1A-CP |
| ERATO-P.W.Board | | C6704 | 08S45232Y21 | CAP,CER 104K-B1A-CP |
| ERATO-P.W.Board | | C6705 | 08S45232Y21 | CAP,CER 104K-B1A-CP |
| ERATO-P.W.Board | | C6706 | 08S45232Y21 | CAP,CER 104K-B1A-CP |
| ERATO-P.W.Board | | C6707 | 08S45232Y21 | CAP,CER 104K-B1A-CP |
| ERATO-P.W.Board | | C6708 | 08S45232Y21 | CAP,CER 104K-B1A-CP |
| ERATO-P.W.Board | | C6709 | 08S45232Y21 | CAP,CER 104K-B1A-CP |
| ERATO-P.W.Board | | C6710 | 08S35374W12 | CAP,CER 106K-B0J -CP |
| ERATO-P.W.Board | | C6711 | 08S35374W12 | CAP,CER 106K-B0J -CP |
| ERATO-P.W.Board | | C6712 | 08S45232Y21 | CAP,CER 104K-B1A-CP |
| ERATO-P.W.Board | | C6713 | 08S45232Y21 | CAP,CER 104K-B1A-CP |
| ERATO-P.W.Board | | C6714 | 08S45232Y21 | CAP,CER 104K-B1A-CP |
| ERATO-P.W.Board | | C6715 | 08S45232Y21 | CAP,CER 104K-B1A-CP |
| ERATO-P.W.Board | | C6716 | 08S45232Y21 | CAP,CER 104K-B1A-CP |
| ERATO-P.W.Board | | C6717 | 08S45232Y21 | CAP,CER 104K-B1A-CP |
| ERATO-P.W.Board | | C6718 | 08S45232Y21 | CAP,CER 104K-B1A-CP |
| ERATO-P.W.Board | | C6719 | 08S45232Y21 | CAP,CER 104K-B1A-CP |
| ERATO-P.W.Board | | C6720 | 08S45232Y21 | CAP,CER 104K-B1A-CP |
| ERATO-P.W.Board | | C6721 | 08S45232Y21 | CAP,CER 104K-B1A-CP |
| ERATO-P.W.Board | | C6722 | 08S45232Y21 | CAP,CER 104K-B1A-CP |
| ERATO-P.W.Board | | C6723 | 08S45232Y21 | CAP,CER 104K-B1A-CP |
| ERATO-P.W.Board | | C6724 | 08S45232Y21 | CAP,CER 104K-B1A-CP |
| ERATO-P.W.Board | | C6725 | 08S45232Y21 | CAP,CER 104K-B1A-CP |
| ERATO-P.W.Board | | C6726 | 08S45232Y21 | CAP,CER 104K-B1A-CP |
| ERATO-P.W.Board | | C6727 | 08S45232Y21 | CAP,CER 104K-B1A-CP |
| ERATO-P.W.Board | | C6728 | 08S45232Y21 | CAP,CER 104K-B1A-CP |
| ERATO-P.W.Board | | C6729 | 08S45232Y21 | CAP,CER 104K-B1A-CP |
| ERATO-P.W.Board | | C6730 | 08S45232Y21 | CAP,CER 104K-B1A-CP |
| ERATO-P.W.Board | | C6731 | 08S45232Y21 | CAP,CER 104K-B1A-CP |
| ERATO-P.W.Board | | C6732 | 08S45232Y21 | CAP,CER 104K-B1A-CP |
| ERATO-P.W.Board | | C6733 | 08S45232Y21 | CAP,CER 104K-B1A-CP |
| ERATO-P.W.Board | | C6734 | 08S45232Y21 | CAP,CER 104K-B1A-CP |

NOTE:The part that has not PART NUMBER will not be supplied.

| MODEL | Symbol No. | Parts No. | Description |
|-------|------------|-----------|-------------|
|-------|------------|-----------|-------------|

| | | | |
|-----------------|--|-----------------------|----------------------------------|
| ERATO-P.W.Board | | C6735 | 08S45232Y21 CAP,CER 104K-B1A-CP |
| ERATO-P.W.Board | | C6736 | 08S45232Y21 CAP,CER 104K-B1A-CP |
| ERATO-P.W.Board | | C6737 | 08S45232Y21 CAP,CER 104K-B1A-CP |
| ERATO-P.W.Board | | C6738 | 08S45232Y21 CAP,CER 104K-B1A-CP |
| ERATO-P.W.Board | | C6739 | 08S45232Y21 CAP,CER 104K-B1A-CP |
| ERATO-P.W.Board | | C6740 | 08S45232Y21 CAP,CER 104K-B1A-CP |
| ERATO-P.W.Board | | C6741 | 08S45232Y21 CAP,CER 104K-B1A-CP |
| ERATO-P.W.Board | | C6742 | 08S45232Y21 CAP,CER 104K-B1A-CP |
| ERATO-P.W.Board | | C6743 | 08S45232Y21 CAP,CER 104K-B1A-CP |
| ERATO-P.W.Board | | C6744 | 08S35374W12 CAP,CER 106K-B0J -CP |
| ERATO-P.W.Board | | C6745 | 08S35349Y17 CAP,CER 225K-B0J -CP |
| ERATO-P.W.Board | | C6746 | 08S35349Y17 CAP,CER 225K-B0J -CP |
| ERATO-P.W.Board | | C6747 | 08S35349Y17 CAP,CER 225K-B0J -CP |
| ERATO-P.W.Board | | C6748 | 08S35349Y17 CAP,CER 225K-B0J -CP |
| ERATO-P.W.Board | | C6749 | 08S45232Y21 CAP,CER 104K-B1A-CP |
| ERATO-P.W.Board | | C6750 | 08-13830Z01 CAP,CER 476MX6S0G-CP |
| ERATO-P.W.Board | | C6751 | 08-13830Z01 CAP,CER 476MX6S0G-CP |
| ERATO-P.W.Board | | C6752 | 08S45232Y21 CAP,CER 104K-B1A-CP |
| ERATO-P.W.Board | | C6753 | 08S45232Y21 CAP,CER 104K-B1A-CP |
| ERATO-P.W.Board | | C6754 | 08S45232Y21 CAP,CER 104K-B1A-CP |
| ERATO-P.W.Board | | C6755 | 08S45232Y21 CAP,CER 104K-B1A-CP |
| ERATO-P.W.Board | | C6756 | 08S45232Y21 CAP,CER 104K-B1A-CP |
| ERATO-P.W.Board | | C6757 | 08S45232Y21 CAP,CER 104K-B1A-CP |
| ERATO-P.W.Board | | C6758 | 08S45232Y21 CAP,CER 104K-B1A-CP |
| ERATO-P.W.Board | | C6759 | 08S45232Y21 CAP,CER 104K-B1A-CP |
| ERATO-P.W.Board | | C6760 | 08S45232Y21 CAP,CER 104K-B1A-CP |
| ERATO-P.W.Board | | C6761 | 08S45232Y21 CAP,CER 104K-B1A-CP |
| ERATO-P.W.Board | | C6762 | 08S45232Y21 CAP,CER 104K-B1A-CP |
| ERATO-P.W.Board | | C6763 | 08S45232Y21 CAP,CER 104K-B1A-CP |
| ERATO-P.W.Board | | C6764 | 08S45232Y21 CAP,CER 104K-B1A-CP |
| ERATO-P.W.Board | | C6765 | 08S45232Y21 CAP,CER 104K-B1A-CP |
| ERATO-P.W.Board | | C6766 | 08S45232Y21 CAP,CER 104K-B1A-CP |
| ERATO-P.W.Board | | C6767 | 08S45232Y21 CAP,CER 104K-B1A-CP |
| ERATO-P.W.Board | | C6768 | 08S45232Y21 CAP,CER 104K-B1A-CP |
| ERATO-P.W.Board | | C6769 | 08S45232Y21 CAP,CER 104K-B1A-CP |
| ERATO-P.W.Board | | C6770 | 08S45232Y21 CAP,CER 104K-B1A-CP |
| ERATO-P.W.Board | | C6771 | 08S45232Y21 CAP,CER 104K-B1A-CP |
| ERATO-P.W.Board | | C6772 | 08S45232Y21 CAP,CER 104K-B1A-CP |
| ERATO-P.W.Board | | C6773 | 08S45232Y21 CAP,CER 104K-B1A-CP |
| ERATO-P.W.Board | | C6774 | 08S45232Y21 CAP,CER 104K-B1A-CP |
| ERATO-P.W.Board | | C6775 | 08S45232Y21 CAP,CER 104K-B1A-CP |
| ERATO-P.W.Board | | C6776 | 08S45232Y21 CAP,CER 104K-B1A-CP |
| ERATO-P.W.Board | | C6777 | 08S45232Y21 CAP,CER 104K-B1A-CP |
| ERATO-P.W.Board | | C6778 | 08S45232Y21 CAP,CER 104K-B1A-CP |
| ERATO-P.W.Board | | C6779 | 08S45232Y21 CAP,CER 104K-B1A-CP |
| ERATO-P.W.Board | | C6780 | 08S45232Y21 CAP,CER 104K-B1A-CP |
| ERATO-P.W.Board | | C6781 | 08S45232Y21 CAP,CER 104K-B1A-CP |

NOTE:The part that has not PART NUMBER will not be supplied.

| MODEL | Symbol No. | Parts No. | Description |
|-------|------------|-----------|-------------|
|-------|------------|-----------|-------------|

| | | | |
|-----------------|--|-----------------------|----------------------------------|
| ERATO-P.W.Board | | C6782 | 08S45232Y21 CAP,CER 104K-B1A-CP |
| ERATO-P.W.Board | | C6783 | 08S45232Y21 CAP,CER 104K-B1A-CP |
| ERATO-P.W.Board | | C6784 | 08S45232Y11 CAP,CER 103K-B1C -CP |
| ERATO-P.W.Board | | C6785 | 08S45232Y11 CAP,CER 103K-B1C -CP |
| ERATO-P.W.Board | | C6786 | 08S45232Y11 CAP,CER 103K-B1C -CP |
| ERATO-P.W.Board | | C6787 | 08S45232Y11 CAP,CER 103K-B1C -CP |
| ERATO-P.W.Board | | C6788 | 08S35349Y16 CAP,CER 105K-B1A -CP |
| ERATO-P.W.Board | | C6789 | 08S35349Y16 CAP,CER 105K-B1A -CP |
| ERATO-P.W.Board | | C6790 | 08S45232Y21 CAP,CER 104K-B1A-CP |
| ERATO-P.W.Board | | C6791 | 08S45232Y11 CAP,CER 103K-B1C -CP |
| ERATO-P.W.Board | | C6792 | 08S45232Y11 CAP,CER 103K-B1C -CP |
| ERATO-P.W.Board | | C6793 | 08S45232Y21 CAP,CER 104K-B1A-CP |
| ERATO-P.W.Board | | C6794 | 08S45232Y21 CAP,CER 104K-B1A-CP |
| ERATO-P.W.Board | | C6795 | 08S45232Y21 CAP,CER 104K-B1A-CP |
| ERATO-P.W.Board | | C6796 | 08S45232Y21 CAP,CER 104K-B1A-CP |
| ERATO-P.W.Board | | C6797 | 08S45232Y21 CAP,CER 104K-B1A-CP |
| ERATO-P.W.Board | | C6798 | 08S45232Y21 CAP,CER 104K-B1A-CP |
| ERATO-P.W.Board | | C6799 | 08S45232Y21 CAP,CER 104K-B1A-CP |
| ERATO-P.W.Board | | C6800 | 08S45232Y21 CAP,CER 104K-B1A-CP |
| ERATO-P.W.Board | | C6801 | 08S45232Y21 CAP,CER 104K-B1A-CP |
| ERATO-P.W.Board | | C6802 | 08S45232Y21 CAP,CER 104K-B1A-CP |
| ERATO-P.W.Board | | C6803 | 08S45232Y21 CAP,CER 104K-B1A-CP |
| ERATO-P.W.Board | | C6804 | 08S45232Y21 CAP,CER 104K-B1A-CP |
| ERATO-P.W.Board | | C6805 | 08S45232Y21 CAP,CER 104K-B1A-CP |
| ERATO-P.W.Board | | C6806 | 08S45232Y21 CAP,CER 104K-B1A-CP |
| ERATO-P.W.Board | | C6807 | 08S45232Y21 CAP,CER 104K-B1A-CP |
| ERATO-P.W.Board | | C6808 | 08S45232Y21 CAP,CER 104K-B1A-CP |
| ERATO-P.W.Board | | C6809 | 08S45232Y21 CAP,CER 104K-B1A-CP |
| ERATO-P.W.Board | | C6810 | 08S45232Y21 CAP,CER 104K-B1A-CP |
| ERATO-P.W.Board | | C6811 | 08S45232Y21 CAP,CER 104K-B1A-CP |
| ERATO-P.W.Board | | C6812 | 08S45232Y21 CAP,CER 104K-B1A-CP |
| ERATO-P.W.Board | | C6813 | 08S45232Y21 CAP,CER 104K-B1A-CP |
| ERATO-P.W.Board | | C6814 | 08S45232Y21 CAP,CER 104K-B1A-CP |
| ERATO-P.W.Board | | C6815 | 08S45232Y21 CAP,CER 104K-B1A-CP |
| ERATO-P.W.Board | | C6816 | 08S45232Y21 CAP,CER 104K-B1A-CP |
| ERATO-P.W.Board | | C6817 | 08S45232Y21 CAP,CER 104K-B1A-CP |
| ERATO-P.W.Board | | C6818 | 08S45232Y21 CAP,CER 104K-B1A-CP |
| ERATO-P.W.Board | | C6819 | 08S45232Y21 CAP,CER 104K-B1A-CP |
| ERATO-P.W.Board | | C6820 | 08S45232Y21 CAP,CER 104K-B1A-CP |
| ERATO-P.W.Board | | C6821 | 08S45232Y21 CAP,CER 104K-B1A-CP |
| ERATO-P.W.Board | | C6822 | 08S45232Y21 CAP,CER 104K-B1A-CP |
| ERATO-P.W.Board | | C6823 | 08S45232Y21 CAP,CER 104K-B1A-CP |
| ERATO-P.W.Board | | C6824 | 08S45232Y21 CAP,CER 104K-B1A-CP |
| ERATO-P.W.Board | | C6825 | 08S45232Y21 CAP,CER 104K-B1A-CP |
| ERATO-P.W.Board | | C6826 | 08S45232Y21 CAP,CER 104K-B1A-CP |
| ERATO-P.W.Board | | C6827 | 08S45232Y21 CAP,CER 104K-B1A-CP |
| ERATO-P.W.Board | | C6828 | 08S45232Y21 CAP,CER 104K-B1A-CP |

NOTE:The part that has not PART NUMBER will not be supplied.

| MODEL | Symbol No. | Parts No. | Description |
|-------|------------|-----------|-------------|
|-------|------------|-----------|-------------|

| | | | | |
|-----------------|--|-----------------------|-------------|----------------------|
| ERATO-P.W.Board | | C6829 | 08S45232Y21 | CAP,CER 104K-B1A-CP |
| ERATO-P.W.Board | | C6830 | 08S45232Y21 | CAP,CER 104K-B1A-CP |
| ERATO-P.W.Board | | C6831 | 08S45232Y21 | CAP,CER 104K-B1A-CP |
| ERATO-P.W.Board | | C6832 | 08S45232Y21 | CAP,CER 104K-B1A-CP |
| ERATO-P.W.Board | | C6833 | 08S45232Y21 | CAP,CER 104K-B1A-CP |
| ERATO-P.W.Board | | C6834 | 08S45232Y21 | CAP,CER 104K-B1A-CP |
| ERATO-P.W.Board | | C6835 | 08S45232Y21 | CAP,CER 104K-B1A-CP |
| ERATO-P.W.Board | | C6836 | 08S45232Y21 | CAP,CER 104K-B1A-CP |
| ERATO-P.W.Board | | C6837 | 08S45232Y21 | CAP,CER 104K-B1A-CP |
| ERATO-P.W.Board | | C6838 | 08S45232Y21 | CAP,CER 104K-B1A-CP |
| ERATO-P.W.Board | | C6839 | 08S45232Y21 | CAP,CER 104K-B1A-CP |
| ERATO-P.W.Board | | C6840 | 08S45232Y21 | CAP,CER 104K-B1A-CP |
| ERATO-P.W.Board | | C6841 | 08S45232Y21 | CAP,CER 104K-B1A-CP |
| ERATO-P.W.Board | | C6842 | 08S45232Y21 | CAP,CER 104K-B1A-CP |
| ERATO-P.W.Board | | C6843 | 08S45232Y21 | CAP,CER 104K-B1A-CP |
| ERATO-P.W.Board | | C6844 | 08S45232Y21 | CAP,CER 104K-B1A-CP |
| ERATO-P.W.Board | | C6845 | 08S45232Y21 | CAP,CER 104K-B1A-CP |
| ERATO-P.W.Board | | C6846 | 08S45232Y21 | CAP,CER 104K-B1A-CP |
| ERATO-P.W.Board | | C6847 | 08S45232Y21 | CAP,CER 104K-B1A-CP |
| ERATO-P.W.Board | | C6848 | 08S45232Y21 | CAP,CER 104K-B1A-CP |
| ERATO-P.W.Board | | C6849 | 08S45232Y21 | CAP,CER 104K-B1A-CP |
| ERATO-P.W.Board | | C6850 | 08S45232Y21 | CAP,CER 104K-B1A-CP |
| ERATO-P.W.Board | | C6851 | 08S45232Y21 | CAP,CER 104K-B1A-CP |
| ERATO-P.W.Board | | C6852 | 08S45232Y21 | CAP,CER 104K-B1A-CP |
| ERATO-P.W.Board | | C6853 | 08S45232Y21 | CAP,CER 104K-B1A-CP |
| ERATO-P.W.Board | | C6854 | 08S45232Y21 | CAP,CER 104K-B1A-CP |
| ERATO-P.W.Board | | C6855 | 08S45232Y21 | CAP,CER 104K-B1A-CP |
| ERATO-P.W.Board | | C6856 | 08S45232Y21 | CAP,CER 104K-B1A-CP |
| ERATO-P.W.Board | | C6857 | 08S45232Y21 | CAP,CER 104K-B1A-CP |
| ERATO-P.W.Board | | C6858 | 08S35349Y17 | CAP,CER 225K-B0J -CP |
| ERATO-P.W.Board | | C6859 | 08S35349Y17 | CAP,CER 225K-B0J -CP |
| ERATO-P.W.Board | | C6860 | 08S35374W12 | CAP,CER 106K-B0J -CP |
| ERATO-P.W.Board | | C6861 | 08S35374W12 | CAP,CER 106K-B0J -CP |
| ERATO-P.W.Board | | C6862 | 08S35374W11 | CAP,CER 475K-B0J -CP |
| ERATO-P.W.Board | | C6863 | 08S35349Y15 | CAP,CER 474K-B1A -CP |
| ERATO-P.W.Board | | C6864 | 08S45231Y17 | CAP,CER 22RJ-CH1H-CP |
| ERATO-P.W.Board | | C7001 | 08S65669Y03 | CAP,CER 224KX7R1H-CP |
| ERATO-P.W.Board | | C7002 | 08S45232Y21 | CAP,CER 104K-B1A-CP |
| ERATO-P.W.Board | | C7003 | 08S45232Y21 | CAP,CER 104K-B1A-CP |
| ERATO-P.W.Board | | C7004 | 08S65669Y03 | CAP,CER 224KX7R1H-CP |
| ERATO-P.W.Board | | C7205 | 08S65669Y03 | CAP,CER 224KX7R1H-CP |
| ERATO-P.W.Board | | C7206 | 08S35374W12 | CAP,CER 106K-B0J -CP |
| ERATO-P.W.Board | | C7207 | 08S65669Y03 | CAP,CER 224KX7R1H-CP |
| ERATO-P.W.Board | | C7209 | 08S65669Y03 | CAP,CER 224KX7R1H-CP |
| ERATO-P.W.Board | | C7210 | 08S65669Y03 | CAP,CER 224KX7R1H-CP |
| ERATO-P.W.Board | | C7211 | 08S65669Y03 | CAP,CER 224KX7R1H-CP |
| ERATO-P.W.Board | | C7212 | 08S65669Y03 | CAP,CER 224KX7R1H-CP |





NOTE:The part that has not PART NUMBER will not be supplied.

| MODEL | Symbol No. | Parts No. | Description |
|-----------------|------------|-----------------------|----------------------------------|
| ERATO-P.W.Board | | C7213 | 08S65669Y03 CAP,CER 224KX7R1H-CP |
| ERATO-P.W.Board | | C7214 | 08S65669Y03 CAP,CER 224KX7R1H-CP |
| ERATO-P.W.Board | | C7391 | 08S45232Y05 CAP,CER 102K-B1H -CP |
| ERATO-P.W.Board | | C7408 | 08S65670Y04 CAP,CER 475KX5R1E-CP |
| ERATO-P.W.Board | | C7409 | 08S65670Y04 CAP,CER 475KX5R1E-CP |
| ERATO-P.W.Board | | C7410 | 08S65669Y03 CAP,CER 224KX7R1H-CP |
| ERATO-P.W.Board | | C7412 | 08S45677W44 CAP,CER.221J-CH1H-CP |
| ERATO-P.W.Board | | C7413 | 08S45677W44 CAP,CER.221J-CH1H-CP |
| ERATO-P.W.Board | | C7414 | 08S45677W44 CAP,CER.221J-CH1H-CP |
| ERATO-P.W.Board | | C7415 | 08S65669Y03 CAP,CER 224KX7R1H-CP |
| ERATO-P.W.Board | | C7416 | 08S65669Y03 CAP,CER 224KX7R1H-CP |
| ERATO-P.W.Board | | C7417 | 08S45677W44 CAP,CER.221J-CH1H-CP |
| ERATO-P.W.Board | | C7418 | 08S45677W44 CAP,CER.221J-CH1H-CP |
| ERATO-P.W.Board | | C7420 | 08S45677W44 CAP,CER.221J-CH1H-CP |
| ERATO-P.W.Board | | C7423 | 08S65669Y03 CAP,CER 224KX7R1H-CP |
| ERATO-P.W.Board | | C7424 | 08S45231Y31 CAP,CER 331J-CH1H-CP |
| ERATO-P.W.Board | | C7425 | 08S45539Y04 CAP,CER 103KX7R2J-CP |
| ERATO-P.W.Board | | C7426 | 08S45676W65 CAP,CER.222K-B1H -CP |
| ERATO-P.W.Board | | C7427 | 08S45676W85 CAP,CER 104K-B1C -CP |
| ERATO-P.W.Board | | C7428 | 08S45232Y17 CAP,CER 104K-B0J -CP |
| ERATO-P.W.Board | | C7429 | 08S35374W12 CAP,CER 106K-B0J -CP |
| ERATO-P.W.Board | | C7431 | 08S45232Y17 CAP,CER 104K-B0J -CP |
| ERATO-P.W.Board | | C7481 | 08S45539Y01 CAP,CER 102KX7R2J-CP |
| ERATO-P.W.Board | | C7482 | 08S75335Y06 CAP,CER 47RJ-CG2J-CP |
| ERATO-P.W.Board | | C7483 | 08S45539Y01 CAP,CER 102KX7R2J-CP |
| ERATO-P.W.Board | | C7484 | 08S45539Y01 CAP,CER 102KX7R2J-CP |
| ERATO-P.W.Board | | C7485 | 08S45539Y01 CAP,CER 102KX7R2J-CP |
| ERATO-P.W.Board | | C7486 | 08S75335Y01 CAP,CER 101K-CH2J-CP |
| ERATO-P.W.Board | | C7600 | 08S45232Y21 CAP,CER 104K-B1A-CP |
| ERATO-P.W.Board | | C7700 | 08S65669Y03 CAP,CER 224KX7R1H-CP |
| ERATO-P.W.Board | | C7701 | 08S65669Y03 CAP,CER 224KX7R1H-CP |
| ERATO-P.W.Board | | C7703 | 08S65669Y03 CAP,CER 224KX7R1H-CP |
| ERATO-P.W.Board | | C7705 | 08S45231Y22 CAP,CER 56RJ-CH1H-CP |
| ERATO-P.W.Board | | C7706 | 08S45231Y31 CAP,CER 331J-CH1H-CP |
| ERATO-P.W.Board | | C7707 | 08S45231Y25 CAP,CER 101J-CH1H-CP |
| ERATO-P.W.Board | | C7708 | 08S45231Y23 CAP,CER 68RJ-CH1H-CP |
| ERATO-P.W.Board | | C7709 | 08S45231Y27 CAP,CER 151J-CH1H-CP |
| ERATO-P.W.Board | | C7710 | 08S45231Y36 CAP,CER 681J-CH1E-CP |
| ERATO-P.W.Board | | C7711 | 08S45231Y29 CAP,CER 221J-CH1H-CP |
| ERATO-P.W.Board | | C7712 | 08S45231Y33 CAP,CER 471J-CH1H-CP |
| ERATO-P.W.Board | | C7713 | 08S45232Y14 CAP,CER 333K-B1C -CP |
| ERATO-P.W.Board | | C7714 | 08S45232Y11 CAP,CER 103K-B1C -CP |
| ERATO-P.W.Board | | C7716 | 08S45232Y13 CAP,CER 223K-B1C -CP |
| ERATO-P.W.Board | | C7717 | 08S45231Y21 CAP,CER 47RJ-CH1H-CP |
| ERATO-P.W.Board | | C7718 | 08S45231Y21 CAP,CER 47RJ-CH1H-CP |
| ERATO-P.W.Board | | C7719 | 08S45231Y21 CAP,CER 47RJ-CH1H-CP |
| ERATO-P.W.Board | | C7720 | 08S45231Y21 CAP,CER 47RJ-CH1H-CP |


NOTE:The part that has not PART NUMBER will not be supplied.

| MODEL | Symbol No. | Parts No. | Description |
|-----------------|------------|-----------------------|----------------------------------|
| ERATO-P.W.Board | | C7721 | 08S45232Y05 CAP,CER 102K-B1H -CP |
| ERATO-P.W.Board | | C7722 | 08S45232Y05 CAP,CER 102K-B1H -CP |
| ERATO-P.W.Board | | C7723 | 08S45232Y05 CAP,CER 102K-B1H -CP |
| ERATO-P.W.Board | | C7724 | 08S45232Y05 CAP,CER 102K-B1H -CP |
| ERATO-P.W.Board | | C7725 | 08S35374W01 CAP,CER 104K-B1E-CP |
| ERATO-P.W.Board | | C7726 | 08S35374W01 CAP,CER 104K-B1E-CP |
| ERATO-P.W.Board | | C7727 | 08S35349Y16 CAP,CER 105K-B1A -CP |
| ERATO-P.W.Board | | C7728 | 08S35349Y16 CAP,CER 105K-B1A -CP |
| ERATO-P.W.Board | | C7729 | 08S35374W11 CAP,CER 475K-B0J -CP |
| ERATO-P.W.Board | | C7730 | 08S35374W11 CAP,CER 475K-B0J -CP |
| ERATO-P.W.Board | | C7731 | 08S65669Y03 CAP,CER 224KX7R1H-CP |
| ERATO-P.W.Board | | C7732 | 08S65669Y03 CAP,CER 224KX7R1H-CP |
| ERATO-P.W.Board | | C7733 | 08S65669Y03 CAP,CER 224KX7R1H-CP |
| ERATO-P.W.Board | | C7734 | 08S65669Y03 CAP,CER 224KX7R1H-CP |
| ERATO-P.W.Board | | C7735 | 08S65670Y09 CAP,CER 106KX5R1E-CP |
| ERATO-P.W.Board | | C7736 | 08S65670Y09 CAP,CER 106KX5R1E-CP |
| ERATO-P.W.Board | | C7737 | 08S65670Y09 CAP,CER 106KX5R1E-CP |
| ERATO-P.W.Board | | C7738 | 08S65670Y09 CAP,CER 106KX5R1E-CP |
| ERATO-P.W.Board | | C7739 | 08S65670Y09 CAP,CER 106KX5R1E-CP |
| ERATO-P.W.Board | | C7740 | 08S65670Y09 CAP,CER 106KX5R1E-CP |
| ERATO-P.W.Board | | C7741 | 08S65670Y09 CAP,CER 106KX5R1E-CP |
| ERATO-P.W.Board | | C7742 | 08S65670Y09 CAP,CER 106KX5R1E-CP |
| ERATO-P.W.Board | | C7743 | 08S45232Y08 CAP,CER 332K-B1H -CP |
| ERATO-P.W.Board | | C7744 | 08S45232Y08 CAP,CER 332K-B1H -CP |
| ERATO-P.W.Board | | C7745 | 08S45232Y08 CAP,CER 332K-B1H -CP |
| ERATO-P.W.Board | | C7746 | 08S45232Y08 CAP,CER 332K-B1H -CP |
| ERATO-P.W.Board | | C7747 | 08S35374W12 CAP,CER 106K-B0J -CP |
| ERATO-P.W.Board | | C7748 | 08S35374W12 CAP,CER 106K-B0J -CP |
| ERATO-P.W.Board | | C7749 | 08S35374W12 CAP,CER 106K-B0J -CP |
| ERATO-P.W.Board | | C7750 | 08S35374W12 CAP,CER 106K-B0J -CP |
| ERATO-P.W.Board | | C7751 | 08S45232Y05 CAP,CER 102K-B1H -CP |
| ERATO-P.W.Board | | C7752 | 08S45232Y05 CAP,CER 102K-B1H -CP |
| ERATO-P.W.Board | | C7753 | 08S65669Y03 CAP,CER 224KX7R1H-CP |
| ERATO-P.W.Board | | C7754 | 08S65669Y03 CAP,CER 224KX7R1H-CP |
| ERATO-P.W.Board | | C7755 | 08S65669Y03 CAP,CER 224KX7R1H-CP |
| ERATO-P.W.Board | | C7756 | 08S65669Y03 CAP,CER 224KX7R1H-CP |
| ERATO-P.W.Board | | C7757 | 08S65669Y03 CAP,CER 224KX7R1H-CP |
| ERATO-P.W.Board | | C7758 | 08S45232Y11 CAP,CER 103K-B1C -CP |
| ERATO-P.W.Board | | C7760 | 08S45231Y25 CAP,CER 101J-CH1H-CP |
| ERATO-P.W.Board | | C7761 | 08S65669Y03 CAP,CER 224KX7R1H-CP |
| ERATO-P.W.Board | | C7762 | 08S45232Y09 CAP,CER 472K-B1E -CP |
| ERATO-P.W.Board | | C7765 | 08S35374W12 CAP,CER 106K-B0J -CP |
| ERATO-P.W.Board | | C7766 | 08S35374W12 CAP,CER 106K-B0J -CP |
| ERATO-P.W.Board | | C7767 | 08S35374W12 CAP,CER 106K-B0J -CP |
| ERATO-P.W.Board | | C7768 | 08S35374W12 CAP,CER 106K-B0J -CP |
| ERATO-P.W.Board | | C7770 | 08S65669Y03 CAP,CER 224KX7R1H-CP |
| ERATO-P.W.Board | | C7780 | 08S65670Y07 CAP,CER 105KX5R1H-CP |

NOTE:The part that has not PART NUMBER will not be supplied.

| MODEL | Symbol No. | Parts No. | Description |
|-----------------|---|-------------------------|----------------------------------|
| ERATO-P.W.Board | | C7781 | 08S65671Y04 CAP,CER 106KX5R1H-CP |
| ERATO-P.W.Board | | C7782 | 08S65671Y04 CAP,CER 106KX5R1H-CP |
| ERATO-P.W.Board | | C7783 | 08S65671Y04 CAP,CER 106KX5R1H-CP |
| ERATO-P.W.Board | | C7784 | 08S65671Y04 CAP,CER 106KX5R1H-CP |
| ERATO-P.W.Board | | CB6000 | 09-14451Z04 FFC,502790-5091 -EQ |
| ERATO-P.W.Board | | CB7200 | 09-09769Z01 FFC,FH12-50S-0.5 -ER |
| ERATO-P.W.Board | | CB7201 | 09-05987Z03 WTB,BM06B-PASS-TFTEE |
| ERATO-P.W.Board |  | CB7400 | 09-07665Z05 WTB,S24B-PADSS-1 -DB |
| ERATO-P.W.Board |  | CB7401 | 09-20295Z01 SKT,67643-3910 -DB |
| ERATO-P.W.Board | | CB7600 | 09-12836Z01 FFC,51441-2072 -E9 |
| ERATO-P.W.Board | | CB7700 | 09T85454W02 WTB,53398-0271-E6 |
| ERATO-P.W.Board | | CH7200 | 09-06714Z08 BTB,DY01-080S-BT -EJ |
| ERATO-P.W.Board | | CH7201 | 09-19908Z01 BTB,IMSA9985S-140YEZ |
| ERATO-P.W.Board | | D7201 | 48T75527Y01 DIO,1SR154-400 -E1 |
| ERATO-P.W.Board | | D7401 | 48T75527Y01 DIO,1SR154-400 -E1 |
| ERATO-P.W.Board | | D7403 | 48-08988Z01 VST,EZJZ0V800AA -CP |
| ERATO-P.W.Board | | D7404 | 48-08988Z01 VST,EZJZ0V800AA -CP |
| ERATO-P.W.Board | | D7405 | 48-05164Z01 DIO,1SS352-TPH3 -CP |
| ERATO-P.W.Board | | D7701 | 48T75527Y01 DIO,1SR154-400 -E1 |
| ERATO-P.W.Board |  | DIN7400 | 09T75435Y01 DIN,TCS7722-01211-DB |
| ERATO-P.W.Board |  | DIN7401 | 09-18874Z01 DIN,TCS7718-012117DB |
| ERATO-P.W.Board | | E6000 | 23S75244Y28 CAP,ELY 101-1E -E6 |
| ERATO-P.W.Board | | E6001 | 23S75244Y19 CAP,ELY 101-1C -E6 |
| ERATO-P.W.Board | | E6200 | 23S65134W34 CAP,ELY 47R-1C(6)-E6 |
| ERATO-P.W.Board | | E6201 | 23S65134W34 CAP,ELY 47R-1C(6)-E6 |
| ERATO-P.W.Board | | E6202 | 23S65134W34 CAP,ELY 47R-1C(6)-E6 |
| ERATO-P.W.Board | | E6203 | 23S75244Y03 CAP,ELY 101-0J -E3 |
| ERATO-P.W.Board | | E6700 | 23T65679Y06 CAP,CD 68R-0G -E2 |
| ERATO-P.W.Board | | E6701 | 23T65679Y06 CAP,CD 68R-0G -E2 |
| ERATO-P.W.Board | | E6702 | 23T65679Y06 CAP,CD 68R-0G -E2 |
| ERATO-P.W.Board | | E6703 | 23T65679Y01 CAP,CD 101-0D -E2 |
| ERATO-P.W.Board | | E6704 | 23T65679Y29 CAP,CD 101-0G -E2 |
| ERATO-P.W.Board | | E7202 | 23S75244Y03 CAP,ELY 101-0J -E3 |
| ERATO-P.W.Board | | E7203 | 23S75244Y19 CAP,ELY 101-1C -E6 |
| ERATO-P.W.Board | | E7204 | 23S75244Y10 CAP,ELY 33R-1A -E2 |
| ERATO-P.W.Board | | E7205 | 23S75244Y25 CAP,ELY 22R-1E -E3 |
| ERATO-P.W.Board | | E7400 | 23S75244Y25 CAP,ELY 22R-1E -E3 |
| ERATO-P.W.Board | | E7701 | 23-09405Z02 CAP,CX 331-0D -E2 |
| ERATO-P.W.Board | | E7702 | 23-09405Z05 CAP,CX 101-0J -E2 |
| ERATO-P.W.Board | | E7703 | 23-09405Z02 CAP,CX 331-0D -E2 |
| ERATO-P.W.Board | | E7704 | 23-09405Z11 CAP,CX 221-0G -E2 |
| ERATO-P.W.Board | | E7705 | 23-09405Z05 CAP,CX 101-0J -E2 |
| ERATO-P.W.Board | | E7706 | 23T65114Y01 CAP,FK 47R-1E-D -E6 |
| ERATO-P.W.Board | | E7707 | 23T65114Y01 CAP,FK 47R-1E-D -E6 |
| ERATO-P.W.Board | | E7708 | 23S75244Y28 CAP,ELY 101-1E -E6 |
| ERATO-P.W.Board | | E7709 | 23S75244Y28 CAP,ELY 101-1E -E6 |

NOTE:The part that has not PART NUMBER will not be supplied.

| MODEL | Symbol No. | Parts No. | Description |
|-----------------|---|------------------------|----------------------------------|
| ERATO-P.W.Board | | E7710 | 23S75244Y28 CAP,ELY 101-1E -E6 |
| ERATO-P.W.Board | | E7711 | 23S75244Y25 CAP,ELY 22R-1E -E3 |
| ERATO-P.W.Board | | E7712 | 23S65134W34 CAP,ELY 47R-1C(6)-E6 |
| ERATO-P.W.Board | | E7713 | 23S75244Y19 CAP,ELY 101-1C -E6 |
| ERATO-P.W.Board | | E7714 | 23S75244Y19 CAP,ELY 101-1C -E6 |
| ERATO-P.W.Board | | F6000 | 65-10745Z10 FUSE,TF16AT 2.50A-CP |
| ERATO-P.W.Board | | IC6000 | 51-19085Z01 DS99R103TSQX -LE6 |
| ERATO-P.W.Board | | IC6200 | 51-12745Z01 BH7073G-TR -CP |
| ERATO-P.W.Board | | IC6201 | 51-12745Z01 BH7073G-TR -CP |
| ERATO-P.W.Board | | IC6202 | 51-18961Z01 ML86V7665TBZ03A -QT |
| ERATO-P.W.Board | | IC6203 | 51T75516Y07 BA15BC0FP-E2 -NE5 |
| ERATO-P.W.Board | | IC6204 | 51-19189Z01 NJM41050V-TE1 -SE2 |
| ERATO-P.W.Board | | IC6400 | 51-17013Z01 MN2WS0090DMCUB -BT |
| ERATO-P.W.Board | | IC6701 | 51-20504Z01 MT47H64M16HR-25E -BT |
| ERATO-P.W.Board | | IC6702 | 51-20504Z01 MT47H64M16HR-25E -BT |
| ERATO-P.W.Board | | IC7001 | 51-15224Z01 MFI341S2313 -SE2 |
| ERATO-P.W.Board | | IC7002 | 83-23717Z50 V0.980G500-8ERATO |
| ERATO-P.W.Board | | IC7003 | 51-20753Z01 MR48V256A-TA -ST |
| ERATO-P.W.Board | | IC7004 | 51-20290Z01 MX25L6406EM2I-12GSE6 |
| ERATO-P.W.Board | | IC7200 | 51-04433Z04 BD18KA5WFP-E2 -NE5 |
| ERATO-P.W.Board | | IC7403 | 51-12745Z01 BH7073G-TR -CP |
| ERATO-P.W.Board | | IC7404 | 51T65212Y01 BA8275F-E2 -SE2 |
| ERATO-P.W.Board | | IC7405 | 51T15194Y02 TC74VHCT08AFT,K -SE5 |
| ERATO-P.W.Board | | IC7406 | 51-21187Z01 TPS2032QDRQ1 -SE2 |
| ERATO-P.W.Board | | IC7700 | 51T25259Y03 BA00ASFP-E2 -NE5 |
| ERATO-P.W.Board | | IC7702 | 51-12291Z01 LTC3850IUF -LE2 |
| ERATO-P.W.Board | | IC7703 | 51-12291Z01 LTC3850IUF -LE2 |
| ERATO-P.W.Board | | IC7704 | 51-04315Z34 BU4216G-TR -CP |
| ERATO-P.W.Board | | IC7706 | 51T25259Y03 BA00ASFP-E2 -NE5 |
| ERATO-P.W.Board |  | JK7400 | 09-12459Z01 JAC,HSJ1765-011075EA |
| ERATO-P.W.Board | | L6000 | 24-17231Z01 IND,NR8040 47RM -E6 |
| ERATO-P.W.Board | | L6001 | 24-06212Z07 FBI,BLM15BD601SH1-CP |
| ERATO-P.W.Board | | L6002 | 24-06212Z07 FBI,BLM15BD601SH1-CP |
| ERATO-P.W.Board | | L6003 | 24-06212Z07 FBI,BLM15BD601SH1-CP |
| ERATO-P.W.Board | | L6200 | 24-06212Z07 FBI,BLM15BD601SH1-CP |
| ERATO-P.W.Board | | L6201 | 24-06212Z07 FBI,BLM15BD601SH1-CP |
| ERATO-P.W.Board | | L6202 | 24-06212Z07 FBI,BLM15BD601SH1-CP |
| ERATO-P.W.Board | | L6203 | 24-06212Z07 FBI,BLM15BD601SH1-CP |
| ERATO-P.W.Board | | L6204 | 24T95456W08 FBI,BLM18BD182SH1-CP |
| ERATO-P.W.Board | | L6701 | 24-06212Z07 FBI,BLM15BD601SH1-CP |
| ERATO-P.W.Board | | L6702 | 24-10967Z20 IND,LBM2016 4R7J -CP |
| ERATO-P.W.Board | | L6703 | 24T65067Y02 FBI,MMZ1005S601AT-CP |
| ERATO-P.W.Board | | L6704 | 24T95456W27 FBI,BLM18PG181SH1-CP |
| ERATO-P.W.Board | | L6705 | 24-06212Z07 FBI,BLM15BD601SH1-CP |
| ERATO-P.W.Board | | L6706 | 24T95456W27 FBI,BLM18PG181SH1-CP |
| ERATO-P.W.Board | | L6707 | 24T65067Y02 FBI,MMZ1005S601AT-CP |
| ERATO-P.W.Board | | L7200 | 24-06212Z05 FBI,BLM15BB121SH1-CP |

NOTE:The part that has not PART NUMBER will not be supplied.

| MODEL | Symbol No. | Parts No. | Description |
|-----------------|------------|------------------------|----------------------------------|
| ERATO-P.W.Board | | L7202 | 24T95456W27 FBI,BLM18PG181SH1-CP |
| ERATO-P.W.Board | | L7400 | 24-06212Z08 FBI,BLM15BD102SH1-CP |
| ERATO-P.W.Board | | L7401 | 24-06212Z08 FBI,BLM15BD102SH1-CP |
| ERATO-P.W.Board | | L7700 | 24-08610Z12 IND,DS106C2 1R2N -EA |
| ERATO-P.W.Board | | L7701 | 24-08610Z02 IND,DS106C2 6R8N -EA |
| ERATO-P.W.Board | | L7702 | 24-17658Z01 IND,NR6045T 6R3M -E2 |
| ERATO-P.W.Board | | L7703 | 24-08610Z01 IND,DS106C2 4R7N -EA |
| ERATO-P.W.Board | | L7780 | 24T95459W01 FBI,BLM41PG600SH1-E1 |
| ERATO-P.W.Board | | PS7400 | 48-16589Z03 POLY,SW SMDC150F -E2 |
| ERATO-P.W.Board | | Q6200 | 48T15656Y01 TR,2SC4617-TL -CP |
| ERATO-P.W.Board | | Q6201 | 48T15656Y01 TR,2SC4617-TL -CP |
| ERATO-P.W.Board | | Q7403 | 48T65619Y01 FET,HN1K06FU-85L -CP |
| ERATO-P.W.Board | | Q7406 | 48T35687Y01 TR,UMH11N-TN -CP |
| ERATO-P.W.Board | | Q7701 | 48T94606F03 TR,DTC124EUA-T106-CP |
| ERATO-P.W.Board | | Q7702 | 48T94606F03 TR,DTC124EUA-T106-CP |
| ERATO-P.W.Board | | Q7706 | 48-11272Z01 FET,SP8K22-TB -E2 |
| ERATO-P.W.Board | | Q7707 | 48-11272Z01 FET,SP8K22-TB -E2 |
| ERATO-P.W.Board | | Q7708 | 48-11272Z01 FET,SP8K22-TB -E2 |
| ERATO-P.W.Board | | Q7709 | 48-11272Z01 FET,SP8K22-TB -E2 |
| ERATO-P.W.Board | | R6000 | 06S15615Y25 RES,RK 101J 1/16 -CP |
| ERATO-P.W.Board | | R6001 | 06S15615Y25 RES,RK 101J 1/16 -CP |
| ERATO-P.W.Board | | R6002 | 06S15615Y09 RES,RK 22RJ 1/16 -CP |
| ERATO-P.W.Board | | R6003 | 06S15615Y09 RES,RK 22RJ 1/16 -CP |
| ERATO-P.W.Board | | R6004 | 06S15615Y81 RES,RK 223J 1/16 -CP |
| ERATO-P.W.Board | | R6005 | 06S15615Y09 RES,RK 22RJ 1/16 -CP |
| ERATO-P.W.Board | | R6006 | 06S15615Y81 RES,RK 223J 1/16 -CP |
| ERATO-P.W.Board | | R6007 | 06S15615Y81 RES,RK 223J 1/16 -CP |
| ERATO-P.W.Board | | R6008 | 06S15615Y81 RES,RK 223J 1/16 -CP |
| ERATO-P.W.Board | | R6009 | 06S15615Y25 RES,RK 101J 1/16 -CP |
| ERATO-P.W.Board | | R6011 | 06S15615Y09 RES,RK 22RJ 1/16 -CP |
| ERATO-P.W.Board | | R6012 | 06S15615Y09 RES,RK 22RJ 1/16 -CP |
| ERATO-P.W.Board | | R6013 | 06S15615Y25 RES,RK 101J 1/16 -CP |
| ERATO-P.W.Board | | R6018 | 06S15593Y89 RES,RK 473F 1/10 -CP |
| ERATO-P.W.Board | | R6019 | 06S15594Y15 RES,RK 514F 1/10 -CP |
| ERATO-P.W.Board | | R6200 | 06S70072F25 RES,CP .68R-J-1/4-CP |
| ERATO-P.W.Board | | R6201 | 06S15615Y93 RES,RK 683J 1/16 -CP |
| ERATO-P.W.Board | | R6203 | 06S70072F41 RES,CP .331-J-1/4-CP |
| ERATO-P.W.Board | | R6204 | 06S15615Y25 RES,RK 101J 1/16 -CP |
| ERATO-P.W.Board | | R6205 | 06S15593Y13 RES,RK 33RF 1/10 -CP |
| ERATO-P.W.Board | | R6206 | 06S15615Y93 RES,RK 683J 1/16 -CP |
| ERATO-P.W.Board | | R6208 | 06S15615Y25 RES,RK 101J 1/16 -CP |
| ERATO-P.W.Board | | R6209 | 06S15615Y25 RES,RK 101J 1/16 -CP |
| ERATO-P.W.Board | | R6210 | 06S15615Y25 RES,RK 101J 1/16 -CP |
| ERATO-P.W.Board | | R6211 | 06S15615Y25 RES,RK 101J 1/16 -CP |
| ERATO-P.W.Board | | R6212 | 06S15615Y81 RES,RK 223J 1/16 -CP |
| ERATO-P.W.Board | | R6213 | 06S15615Y81 RES,RK 223J 1/16 -CP |
| ERATO-P.W.Board | | R6214 | 06S15615Y81 RES,RK 223J 1/16 -CP |

NOTE:The part that has not PART NUMBER will not be supplied.

| MODEL | Symbol No. | Parts No. | Description |
|-------|------------|-----------|-------------|
|-------|------------|-----------|-------------|

| | | | |
|-----------------|--|-----------------------|----------------------------------|
| ERATO-P.W.Board | | R6215 | 06S15615Y81 RES,RK 223J 1/16 -CP |
| ERATO-P.W.Board | | R6217 | 06S15615Y81 RES,RK 223J 1/16 -CP |
| ERATO-P.W.Board | | R6218 | 06S15615Y81 RES,RK 223J 1/16 -CP |
| ERATO-P.W.Board | | R6219 | 06S15615Y81 RES,RK 223J 1/16 -CP |
| ERATO-P.W.Board | | R6220 | 06S15615Y81 RES,RK 223J 1/16 -CP |
| ERATO-P.W.Board | | R6221 | 06S15615Y19 RES,RK 56RJ 1/16 -CP |
| ERATO-P.W.Board | | R6224 | 06S15615Y81 RES,RK 223J 1/16 -CP |
| ERATO-P.W.Board | | R6225 | 06S45675W43 RES,RK JUMPER1/10-CP |
| ERATO-P.W.Board | | R6226 | 06S45675W43 RES,RK JUMPER1/10-CP |
| ERATO-P.W.Board | | R6227 | 06T25178Y46 RES,RK 43RF 1/4 -CP |
| ERATO-P.W.Board | | R6228 | 06S65415Y34 RES,RK 562F 1/16 -CP |
| ERATO-P.W.Board | | R6229 | 06S15615Y25 RES,RK 101J 1/16 -CP |
| ERATO-P.W.Board | | R6230 | 06S15593Y13 RES,RK 33RF 1/10 -CP |
| ERATO-P.W.Board | | R6231 | 06T25178Y46 RES,RK 43RF 1/4 -CP |
| ERATO-P.W.Board | | R6232 | 06S15615Y49 RES,RK 102J 1/16 -CP |
| ERATO-P.W.Board | | R6233 | 06S35083Y13 RES,RK 101F 1/4 -CP |
| ERATO-P.W.Board | | R6234 | 06S35083Y13 RES,RK 101F 1/4 -CP |
| ERATO-P.W.Board | | R6235 | 06S35083Y13 RES,RK 101F 1/4 -CP |
| ERATO-P.W.Board | | R6236 | 06S35083Y13 RES,RK 101F 1/4 -CP |
| ERATO-P.W.Board | | R6239 | 06S70072F41 RES,CP .331-J-1/4-CP |
| ERATO-P.W.Board | | R6400 | 06S15615Y09 RES,RK 22RJ 1/16 -CP |
| ERATO-P.W.Board | | R6402 | 06S15616Y23 RES,RK JUMPER1/16-CP |
| ERATO-P.W.Board | | R6404 | 06S15615Y81 RES,RK 223J 1/16 -CP |
| ERATO-P.W.Board | | R6407 | 06S15615Y25 RES,RK 101J 1/16 -CP |
| ERATO-P.W.Board | | R6409 | 06S15615Y81 RES,RK 223J 1/16 -CP |
| ERATO-P.W.Board | | R6410 | 06S15615Y81 RES,RK 223J 1/16 -CP |
| ERATO-P.W.Board | | R6411 | 06S15615Y65 RES,RK 472J 1/16 -CP |
| ERATO-P.W.Board | | R6412 | 06S15615Y25 RES,RK 101J 1/16 -CP |
| ERATO-P.W.Board | | R6413 | 06S15615Y31 RES,RK 181J 1/16 -CP |
| ERATO-P.W.Board | | R6414 | 06S15615Y31 RES,RK 181J 1/16 -CP |
| ERATO-P.W.Board | | R6415 | 06S15615Y25 RES,RK 101J 1/16 -CP |
| ERATO-P.W.Board | | R6416 | 06S15615Y25 RES,RK 101J 1/16 -CP |
| ERATO-P.W.Board | | R6417 | 06S15615Y25 RES,RK 101J 1/16 -CP |
| ERATO-P.W.Board | | R6418 | 06S15615Y65 RES,RK 472J 1/16 -CP |
| ERATO-P.W.Board | | R6420 | 06S15615Y25 RES,RK 101J 1/16 -CP |
| ERATO-P.W.Board | | R6421 | 06S15615Y25 RES,RK 101J 1/16 -CP |
| ERATO-P.W.Board | | R6422 | 06S15615Y25 RES,RK 101J 1/16 -CP |
| ERATO-P.W.Board | | R6426 | 06S15615Y65 RES,RK 472J 1/16 -CP |
| ERATO-P.W.Board | | R6427 | 06S15615Y09 RES,RK 22RJ 1/16 -CP |
| ERATO-P.W.Board | | R6428 | 06S15615Y09 RES,RK 22RJ 1/16 -CP |
| ERATO-P.W.Board | | R6429 | 06S15615Y09 RES,RK 22RJ 1/16 -CP |
| ERATO-P.W.Board | | R6430 | 06S15615Y65 RES,RK 472J 1/16 -CP |
| ERATO-P.W.Board | | R6431 | 06S15615Y25 RES,RK 101J 1/16 -CP |
| ERATO-P.W.Board | | R6432 | 06S15615Y25 RES,RK 101J 1/16 -CP |
| ERATO-P.W.Board | | R6433 | 06S15615Y25 RES,RK 101J 1/16 -CP |
| ERATO-P.W.Board | | R6434 | 06S15615Y81 RES,RK 223J 1/16 -CP |
| ERATO-P.W.Board | | R6435 | 06S15615Y09 RES,RK 22RJ 1/16 -CP |

NOTE:The part that has not PART NUMBER will not be supplied.

| MODEL | Symbol No. | Parts No. | Description |
|-------|------------|-----------|-------------|
|-------|------------|-----------|-------------|

| | | | |
|-----------------|--|-----------------------|----------------------------------|
| ERATO-P.W.Board | | R6436 | 06S35095Y08 RES,RK JUMPER 1/4-CP |
| ERATO-P.W.Board | | R6437 | 06S15616Y23 RES,RK JUMPER1/16-CP |
| ERATO-P.W.Board | | R6438 | 06S15615Y19 RES,RK 56RJ 1/16 -CP |
| ERATO-P.W.Board | | R6439 | 06S15615Y19 RES,RK 56RJ 1/16 -CP |
| ERATO-P.W.Board | | R6440 | 06S15615Y19 RES,RK 56RJ 1/16 -CP |
| ERATO-P.W.Board | | R6441 | 06S15615Y19 RES,RK 56RJ 1/16 -CP |
| ERATO-P.W.Board | | R6443 | 06S15615Y09 RES,RK 22RJ 1/16 -CP |
| ERATO-P.W.Board | | R6444 | 06S15615Y19 RES,RK 56RJ 1/16 -CP |
| ERATO-P.W.Board | | R6445 | 06S15615Y19 RES,RK 56RJ 1/16 -CP |
| ERATO-P.W.Board | | R6451 | 06S15615Y09 RES,RK 22RJ 1/16 -CP |
| ERATO-P.W.Board | | R6454 | 06S35095Y08 RES,RK JUMPER 1/4-CP |
| ERATO-P.W.Board | | R6459 | 06S15615Y81 RES,RK 223J 1/16 -CP |
| ERATO-P.W.Board | | R6460 | 06S65415Y66 RES,RK 622F 1/16 -CP |
| ERATO-P.W.Board | | R6461 | 06S15615Y73 RES,RK 103J 1/16 -CP |
| ERATO-P.W.Board | | R6462 | 06S65415Y66 RES,RK 622F 1/16 -CP |
| ERATO-P.W.Board | | R6463 | 06S15615Y73 RES,RK 103J 1/16 -CP |
| ERATO-P.W.Board | | R6464 | 06S15615Y81 RES,RK 223J 1/16 -CP |
| ERATO-P.W.Board | | R6465 | 06S15615Y81 RES,RK 223J 1/16 -CP |
| ERATO-P.W.Board | | R6466 | 06S15615Y81 RES,RK 223J 1/16 -CP |
| ERATO-P.W.Board | | R6467 | 06S15615Y81 RES,RK 223J 1/16 -CP |
| ERATO-P.W.Board | | R6468 | 06S15615Y81 RES,RK 223J 1/16 -CP |
| ERATO-P.W.Board | | R6469 | 06S15615Y81 RES,RK 223J 1/16 -CP |
| ERATO-P.W.Board | | R6470 | 06S15615Y81 RES,RK 223J 1/16 -CP |
| ERATO-P.W.Board | | R6471 | 06S15615Y81 RES,RK 223J 1/16 -CP |
| ERATO-P.W.Board | | R6472 | 06S15615Y81 RES,RK 223J 1/16 -CP |
| ERATO-P.W.Board | | R6473 | 06S15615Y25 RES,RK 101J 1/16 -CP |
| ERATO-P.W.Board | | R6474 | 06S15615Y13 RES,RK 33RJ 1/16 -CP |
| ERATO-P.W.Board | | R6475 | 06S15615Y13 RES,RK 33RJ 1/16 -CP |
| ERATO-P.W.Board | | R6476 | 06S15615Y25 RES,RK 101J 1/16 -CP |
| ERATO-P.W.Board | | R6477 | 06S15615Y25 RES,RK 101J 1/16 -CP |
| ERATO-P.W.Board | | R6479 | 06S15615Y13 RES,RK 33RJ 1/16 -CP |
| ERATO-P.W.Board | | R6480 | 06S15615Y13 RES,RK 33RJ 1/16 -CP |
| ERATO-P.W.Board | | R6481 | 06S15615Y13 RES,RK 33RJ 1/16 -CP |
| ERATO-P.W.Board | | R6482 | 06S15615Y13 RES,RK 33RJ 1/16 -CP |
| ERATO-P.W.Board | | R6483 | 06S15615Y25 RES,RK 101J 1/16 -CP |
| ERATO-P.W.Board | | R6484 | 06S15615Y25 RES,RK 101J 1/16 -CP |
| ERATO-P.W.Board | | R6486 | 06S15615Y81 RES,RK 223J 1/16 -CP |
| ERATO-P.W.Board | | R6487 | 06S15615Y09 RES,RK 22RJ 1/16 -CP |
| ERATO-P.W.Board | | R6488 | 06S15615Y09 RES,RK 22RJ 1/16 -CP |
| ERATO-P.W.Board | | R6489 | 06S15615Y09 RES,RK 22RJ 1/16 -CP |
| ERATO-P.W.Board | | R6490 | 06S15615Y09 RES,RK 22RJ 1/16 -CP |
| ERATO-P.W.Board | | R6491 | 06S15616Y23 RES,RK JUMPER1/16-CP |
| ERATO-P.W.Board | | R6492 | 06S15616Y22 RES,RK 105J 1/16 -CP |
| ERATO-P.W.Board | | R6493 | 06S15616Y22 RES,RK 105J 1/16 -CP |
| ERATO-P.W.Board | | R6494 | 06S15616Y22 RES,RK 105J 1/16 -CP |
| ERATO-P.W.Board | | R6495 | 06S15615Y81 RES,RK 223J 1/16 -CP |
| ERATO-P.W.Board | | R6496 | 06S15615Y53 RES,RK 152J 1/16 -CP |

NOTE:The part that has not PART NUMBER will not be supplied.

| MODEL | Symbol No. | Parts No. | Description |
|-------|------------|-----------|-------------|
|-------|------------|-----------|-------------|

| | | | |
|-----------------|--|-----------------------|----------------------------------|
| ERATO-P.W.Board | | R6497 | 06S15615Y42 RES,RK 511J 1/16 -CP |
| ERATO-P.W.Board | | R6498 | 06S15615Y49 RES,RK 102J 1/16 -CP |
| ERATO-P.W.Board | | R6501 | 06S15615Y25 RES,RK 101J 1/16 -CP |
| ERATO-P.W.Board | | R6502 | 06S15615Y28 RES,RK 131J 1/16 -CP |
| ERATO-P.W.Board | | R6503 | 06S15615Y37 RES,RK 331J 1/16 -CP |
| ERATO-P.W.Board | | R6504 | 06S15615Y81 RES,RK 223J 1/16 -CP |
| ERATO-P.W.Board | | R6505 | 06S15615Y81 RES,RK 223J 1/16 -CP |
| ERATO-P.W.Board | | R6507 | 06S15615Y81 RES,RK 223J 1/16 -CP |
| ERATO-P.W.Board | | R6508 | 06S15615Y81 RES,RK 223J 1/16 -CP |
| ERATO-P.W.Board | | R6509 | 06S15615Y09 RES,RK 22RJ 1/16 -CP |
| ERATO-P.W.Board | | R6510 | 06S15615Y09 RES,RK 22RJ 1/16 -CP |
| ERATO-P.W.Board | | R6511 | 06S15615Y09 RES,RK 22RJ 1/16 -CP |
| ERATO-P.W.Board | | R6512 | 06S15615Y09 RES,RK 22RJ 1/16 -CP |
| ERATO-P.W.Board | | R6513 | 06S15615Y09 RES,RK 22RJ 1/16 -CP |
| ERATO-P.W.Board | | R6514 | 06S15615Y09 RES,RK 22RJ 1/16 -CP |
| ERATO-P.W.Board | | R6515 | 06S15615Y09 RES,RK 22RJ 1/16 -CP |
| ERATO-P.W.Board | | R6516 | 06S15615Y09 RES,RK 22RJ 1/16 -CP |
| ERATO-P.W.Board | | R6517 | 06S15615Y09 RES,RK 22RJ 1/16 -CP |
| ERATO-P.W.Board | | R6518 | 06S15615Y09 RES,RK 22RJ 1/16 -CP |
| ERATO-P.W.Board | | R6519 | 06S15615Y09 RES,RK 22RJ 1/16 -CP |
| ERATO-P.W.Board | | R6520 | 06S15615Y09 RES,RK 22RJ 1/16 -CP |
| ERATO-P.W.Board | | R6521 | 06S15615Y09 RES,RK 22RJ 1/16 -CP |
| ERATO-P.W.Board | | R6522 | 06S15615Y09 RES,RK 22RJ 1/16 -CP |
| ERATO-P.W.Board | | R6523 | 06S15615Y09 RES,RK 22RJ 1/16 -CP |
| ERATO-P.W.Board | | R6524 | 06S15615Y09 RES,RK 22RJ 1/16 -CP |
| ERATO-P.W.Board | | R6525 | 06S15615Y09 RES,RK 22RJ 1/16 -CP |
| ERATO-P.W.Board | | R6526 | 06S15615Y09 RES,RK 22RJ 1/16 -CP |
| ERATO-P.W.Board | | R6527 | 06S15615Y09 RES,RK 22RJ 1/16 -CP |
| ERATO-P.W.Board | | R6528 | 06S15615Y09 RES,RK 22RJ 1/16 -CP |
| ERATO-P.W.Board | | R6529 | 06S15615Y25 RES,RK 101J 1/16 -CP |
| ERATO-P.W.Board | | R6530 | 06S15615Y09 RES,RK 22RJ 1/16 -CP |
| ERATO-P.W.Board | | R6531 | 06S15615Y29 RES,RK 151J 1/16 -CP |
| ERATO-P.W.Board | | R6532 | 06S15615Y29 RES,RK 151J 1/16 -CP |
| ERATO-P.W.Board | | R6533 | 06S15615Y29 RES,RK 151J 1/16 -CP |
| ERATO-P.W.Board | | R6534 | 06S15615Y81 RES,RK 223J 1/16 -CP |
| ERATO-P.W.Board | | R6535 | 06S15615Y13 RES,RK 33RJ 1/16 -CP |
| ERATO-P.W.Board | | R6536 | 06S15615Y25 RES,RK 101J 1/16 -CP |
| ERATO-P.W.Board | | R6700 | 06S15615Y81 RES,RK 223J 1/16 -CP |
| ERATO-P.W.Board | | R6701 | 06S15615Y81 RES,RK 223J 1/16 -CP |
| ERATO-P.W.Board | | R6702 | 06S15615Y81 RES,RK 223J 1/16 -CP |
| ERATO-P.W.Board | | R6704 | 06S15593Y29 RES,RK 151F 1/10 -CP |
| ERATO-P.W.Board | | R6705 | 06S15593Y13 RES,RK 33RF 1/10 -CP |
| ERATO-P.W.Board | | R6706 | 06S15615Y81 RES,RK 223J 1/16 -CP |
| ERATO-P.W.Board | | R6707 | 06S15615Y13 RES,RK 33RJ 1/16 -CP |
| ERATO-P.W.Board | | R6708 | 06S15615Y13 RES,RK 33RJ 1/16 -CP |
| ERATO-P.W.Board | | R6709 | 06S15615Y13 RES,RK 33RJ 1/16 -CP |
| ERATO-P.W.Board | | R6710 | 06S15615Y13 RES,RK 33RJ 1/16 -CP |

NOTE:The part that has not PART NUMBER will not be supplied.

| MODEL | Symbol No. | Parts No. | Description |
|-------|------------|-----------|-------------|
|-------|------------|-----------|-------------|

| | | | |
|-----------------|--|-----------------------|----------------------------------|
| ERATO-P.W.Board | | R6711 | 06S15615Y13 RES,RK 33RJ 1/16 -CP |
| ERATO-P.W.Board | | R6712 | 06S15615Y13 RES,RK 33RJ 1/16 -CP |
| ERATO-P.W.Board | | R6713 | 06S15615Y81 RES,RK 223J 1/16 -CP |
| ERATO-P.W.Board | | R6714 | 06S15615Y13 RES,RK 33RJ 1/16 -CP |
| ERATO-P.W.Board | | R6715 | 06S15615Y13 RES,RK 33RJ 1/16 -CP |
| ERATO-P.W.Board | | R6716 | 06S15615Y13 RES,RK 33RJ 1/16 -CP |
| ERATO-P.W.Board | | R6717 | 06S15615Y13 RES,RK 33RJ 1/16 -CP |
| ERATO-P.W.Board | | R6718 | 06S15615Y39 RES,RK 391J 1/16 -CP |
| ERATO-P.W.Board | | R6719 | 06S15615Y13 RES,RK 33RJ 1/16 -CP |
| ERATO-P.W.Board | | R6720 | 06S15615Y13 RES,RK 33RJ 1/16 -CP |
| ERATO-P.W.Board | | R6721 | 06S15615Y25 RES,RK 101J 1/16 -CP |
| ERATO-P.W.Board | | R6722 | 06S15615Y31 RES,RK 181J 1/16 -CP |
| ERATO-P.W.Board | | R6723 | 06S15615Y81 RES,RK 223J 1/16 -CP |
| ERATO-P.W.Board | | R6724 | 06S15593Y29 RES,RK 151F 1/10 -CP |
| ERATO-P.W.Board | | R6725 | 06S15615Y09 RES,RK 22RJ 1/16 -CP |
| ERATO-P.W.Board | | R6726 | 06S15615Y09 RES,RK 22RJ 1/16 -CP |
| ERATO-P.W.Board | | R6727 | 06S15615Y09 RES,RK 22RJ 1/16 -CP |
| ERATO-P.W.Board | | R6728 | 06S15615Y09 RES,RK 22RJ 1/16 -CP |
| ERATO-P.W.Board | | R6729 | 06S15615Y09 RES,RK 22RJ 1/16 -CP |
| ERATO-P.W.Board | | R6730 | 06S15615Y09 RES,RK 22RJ 1/16 -CP |
| ERATO-P.W.Board | | R6731 | 06S15615Y09 RES,RK 22RJ 1/16 -CP |
| ERATO-P.W.Board | | R6732 | 06S15615Y09 RES,RK 22RJ 1/16 -CP |
| ERATO-P.W.Board | | R6733 | 06S15615Y09 RES,RK 22RJ 1/16 -CP |
| ERATO-P.W.Board | | R6734 | 06S15615Y09 RES,RK 22RJ 1/16 -CP |
| ERATO-P.W.Board | | R6735 | 06S15615Y09 RES,RK 22RJ 1/16 -CP |
| ERATO-P.W.Board | | R6736 | 06S15615Y09 RES,RK 22RJ 1/16 -CP |
| ERATO-P.W.Board | | R6737 | 06S15615Y09 RES,RK 22RJ 1/16 -CP |
| ERATO-P.W.Board | | R6738 | 06S15615Y09 RES,RK 22RJ 1/16 -CP |
| ERATO-P.W.Board | | R6739 | 06S15615Y09 RES,RK 22RJ 1/16 -CP |
| ERATO-P.W.Board | | R6740 | 06S15615Y09 RES,RK 22RJ 1/16 -CP |
| ERATO-P.W.Board | | R6741 | 06S15616Y23 RES,RK JUMPER1/16-CP |
| ERATO-P.W.Board | | R6742 | 06S15616Y23 RES,RK JUMPER1/16-CP |
| ERATO-P.W.Board | | R6743 | 06S15615Y23 RES,RK 82RJ 1/16 -CP |
| ERATO-P.W.Board | | R6744 | 06S15615Y23 RES,RK 82RJ 1/16 -CP |
| ERATO-P.W.Board | | R6745 | 06S15615Y09 RES,RK 22RJ 1/16 -CP |
| ERATO-P.W.Board | | R6746 | 06S15615Y09 RES,RK 22RJ 1/16 -CP |
| ERATO-P.W.Board | | R6747 | 06S15615Y09 RES,RK 22RJ 1/16 -CP |
| ERATO-P.W.Board | | R6748 | 06S15615Y09 RES,RK 22RJ 1/16 -CP |
| ERATO-P.W.Board | | R6749 | 06S15615Y09 RES,RK 22RJ 1/16 -CP |
| ERATO-P.W.Board | | R6750 | 06S65415Y25 RES,RK 102F 1/16 -CP |
| ERATO-P.W.Board | | R6751 | 06S65415Y25 RES,RK 102F 1/16 -CP |
| ERATO-P.W.Board | | R6752 | 06S65415Y65 RES,RK 301F 1/16 -CP |
| ERATO-P.W.Board | | R6753 | 06S65415Y64 RES,RK 75RF 1/16 -CP |
| ERATO-P.W.Board | | R6754 | 06S15615Y81 RES,RK 223J 1/16 -CP |
| ERATO-P.W.Board | | R6755 | 06S15615Y73 RES,RK 103J 1/16 -CP |
| ERATO-P.W.Board | | R6756 | 06S15615Y73 RES,RK 103J 1/16 -CP |
| ERATO-P.W.Board | | R6761 | 06S15615Y25 RES,RK 101J 1/16 -CP |

NOTE:The part that has not PART NUMBER will not be supplied.

| MODEL | Symbol No. | Parts No. | Description |
|-------|------------|-----------|-------------|
|-------|------------|-----------|-------------|

| | | | |
|-----------------|--|-----------------------|----------------------------------|
| ERATO-P.W.Board | | R6762 | 06S15615Y25 RES,RK 101J 1/16 -CP |
| ERATO-P.W.Board | | R6763 | 06S65415Y17 RES,RK 221F 1/16 -CP |
| ERATO-P.W.Board | | R6764 | 06S65415Y17 RES,RK 221F 1/16 -CP |
| ERATO-P.W.Board | | R6765 | 06S65415Y25 RES,RK 102F 1/16 -CP |
| ERATO-P.W.Board | | R6766 | 06S65415Y25 RES,RK 102F 1/16 -CP |
| ERATO-P.W.Board | | R6767 | 06S65415Y25 RES,RK 102F 1/16 -CP |
| ERATO-P.W.Board | | R6768 | 06S65415Y25 RES,RK 102F 1/16 -CP |
| ERATO-P.W.Board | | R6769 | 06S65415Y38 RES,RK 123F 1/16 -CP |
| ERATO-P.W.Board | | R6770 | 06S65415Y36 RES,RK 822F 1/16 -CP |
| ERATO-P.W.Board | | R6771 | 06S65415Y31 RES,RK 332F 1/16 -CP |
| ERATO-P.W.Board | | R6772 | 06S15615Y81 RES,RK 223J 1/16 -CP |
| ERATO-P.W.Board | | R6773 | 06S15615Y81 RES,RK 223J 1/16 -CP |
| ERATO-P.W.Board | | R6774 | 06S15615Y81 RES,RK 223J 1/16 -CP |
| ERATO-P.W.Board | | R6775 | 06S15615Y81 RES,RK 223J 1/16 -CP |
| ERATO-P.W.Board | | R6776 | 06S15615Y81 RES,RK 223J 1/16 -CP |
| ERATO-P.W.Board | | R6777 | 06S15615Y81 RES,RK 223J 1/16 -CP |
| ERATO-P.W.Board | | R6778 | 06S15615Y81 RES,RK 223J 1/16 -CP |
| ERATO-P.W.Board | | R6779 | 06S15615Y81 RES,RK 223J 1/16 -CP |
| ERATO-P.W.Board | | R6780 | 06S35095Y08 RES,RK JUMPER 1/4-CP |
| ERATO-P.W.Board | | R6782 | 06S45675W43 RES,RK JUMPER1/10-CP |
| ERATO-P.W.Board | | R7000 | 06S15615Y81 RES,RK 223J 1/16 -CP |
| ERATO-P.W.Board | | R7001 | 06S15615Y81 RES,RK 223J 1/16 -CP |
| ERATO-P.W.Board | | R7002 | 06S15615Y13 RES,RK 33RJ 1/16 -CP |
| ERATO-P.W.Board | | R7004 | 06S15615Y81 RES,RK 223J 1/16 -CP |
| ERATO-P.W.Board | | R7005 | 06S15615Y81 RES,RK 223J 1/16 -CP |
| ERATO-P.W.Board | | R7006 | 06S15615Y65 RES,RK 472J 1/16 -CP |
| ERATO-P.W.Board | | R7008 | 06S15615Y81 RES,RK 223J 1/16 -CP |
| ERATO-P.W.Board | | R7009 | 06S15615Y81 RES,RK 223J 1/16 -CP |
| ERATO-P.W.Board | | R7010 | 06S15615Y81 RES,RK 223J 1/16 -CP |
| ERATO-P.W.Board | | R7011 | 06S15615Y81 RES,RK 223J 1/16 -CP |
| ERATO-P.W.Board | | R7012 | 06S15615Y81 RES,RK 223J 1/16 -CP |
| ERATO-P.W.Board | | R7013 | 06S15615Y81 RES,RK 223J 1/16 -CP |
| ERATO-P.W.Board | | R7014 | 06S15615Y81 RES,RK 223J 1/16 -CP |
| ERATO-P.W.Board | | R7015 | 06S15615Y81 RES,RK 223J 1/16 -CP |
| ERATO-P.W.Board | | R7016 | 06S15615Y81 RES,RK 223J 1/16 -CP |
| ERATO-P.W.Board | | R7017 | 06S15615Y81 RES,RK 223J 1/16 -CP |
| ERATO-P.W.Board | | R7018 | 06S15615Y81 RES,RK 223J 1/16 -CP |
| ERATO-P.W.Board | | R7019 | 06S15615Y81 RES,RK 223J 1/16 -CP |
| ERATO-P.W.Board | | R7020 | 06S15615Y81 RES,RK 223J 1/16 -CP |
| ERATO-P.W.Board | | R7021 | 06S15615Y81 RES,RK 223J 1/16 -CP |
| ERATO-P.W.Board | | R7022 | 06S15615Y81 RES,RK 223J 1/16 -CP |
| ERATO-P.W.Board | | R7023 | 06S15615Y81 RES,RK 223J 1/16 -CP |
| ERATO-P.W.Board | | R7024 | 06S15615Y81 RES,RK 223J 1/16 -CP |
| ERATO-P.W.Board | | R7029 | 06S15615Y81 RES,RK 223J 1/16 -CP |
| ERATO-P.W.Board | | R7030 | 06S15615Y81 RES,RK 223J 1/16 -CP |
| ERATO-P.W.Board | | R7031 | 06S15615Y81 RES,RK 223J 1/16 -CP |
| ERATO-P.W.Board | | R7032 | 06S15615Y81 RES,RK 223J 1/16 -CP |

NOTE:The part that has not PART NUMBER will not be supplied.

| MODEL | Symbol No. | Parts No. | Description |
|-----------------|------------|-----------------------|----------------------------------|
| ERATO-P.W.Board | | R7033 | 06S15615Y81 RES,RK 223J 1/16 -CP |
| ERATO-P.W.Board | | R7034 | 06S15615Y81 RES,RK 223J 1/16 -CP |
| ERATO-P.W.Board | | R7035 | 06S15615Y81 RES,RK 223J 1/16 -CP |
| ERATO-P.W.Board | | R7036 | 06S15615Y81 RES,RK 223J 1/16 -CP |
| ERATO-P.W.Board | | R7037 | 06S15615Y81 RES,RK 223J 1/16 -CP |
| ERATO-P.W.Board | | R7038 | 06S15615Y81 RES,RK 223J 1/16 -CP |
| ERATO-P.W.Board | | R7039 | 06S15615Y81 RES,RK 223J 1/16 -CP |
| ERATO-P.W.Board | | R7040 | 06S15615Y81 RES,RK 223J 1/16 -CP |
| ERATO-P.W.Board | | R7041 | 06S15615Y81 RES,RK 223J 1/16 -CP |
| ERATO-P.W.Board | | R7042 | 06S15615Y81 RES,RK 223J 1/16 -CP |
| ERATO-P.W.Board | | R7043 | 06S15615Y81 RES,RK 223J 1/16 -CP |
| ERATO-P.W.Board | | R7044 | 06S15615Y81 RES,RK 223J 1/16 -CP |
| ERATO-P.W.Board | | R7048 | 06S15615Y81 RES,RK 223J 1/16 -CP |
| ERATO-P.W.Board | | R7050 | 06S15615Y81 RES,RK 223J 1/16 -CP |
| ERATO-P.W.Board | | R7056 | 06S15615Y81 RES,RK 223J 1/16 -CP |
| ERATO-P.W.Board | | R7057 | 06S15615Y09 RES,RK 22RJ 1/16 -CP |
| ERATO-P.W.Board | | R7058 | 06S15615Y81 RES,RK 223J 1/16 -CP |
| ERATO-P.W.Board | | R7060 | 06S15615Y81 RES,RK 223J 1/16 -CP |
| ERATO-P.W.Board | | R7061 | 06S15615Y81 RES,RK 223J 1/16 -CP |
| ERATO-P.W.Board | | R7062 | 06S15615Y81 RES,RK 223J 1/16 -CP |
| ERATO-P.W.Board | | R7063 | 06S15615Y81 RES,RK 223J 1/16 -CP |
| ERATO-P.W.Board | | R7066 | 06S15615Y81 RES,RK 223J 1/16 -CP |
| ERATO-P.W.Board | | R7078 | 06S15615Y81 RES,RK 223J 1/16 -CP |
| ERATO-P.W.Board | | R7084 | 06S15615Y81 RES,RK 223J 1/16 -CP |
| ERATO-P.W.Board | | R7086 | 06S15615Y81 RES,RK 223J 1/16 -CP |
| ERATO-P.W.Board | | R7108 | 06S15615Y81 RES,RK 223J 1/16 -CP |
| ERATO-P.W.Board | | R7201 | 06S70072F29 RES,CP .101-J-1/4-CP |
| ERATO-P.W.Board | | R7203 | 06S15615Y13 RES,RK 33RJ 1/16 -CP |
| ERATO-P.W.Board | | R7204 | 06S15615Y13 RES,RK 33RJ 1/16 -CP |
| ERATO-P.W.Board | | R7205 | 06S15615Y25 RES,RK 101J 1/16 -CP |
| ERATO-P.W.Board | | R7206 | 06S15615Y25 RES,RK 101J 1/16 -CP |
| ERATO-P.W.Board | | R7207 | 06S15615Y89 RES,RK 473J 1/16 -CP |
| ERATO-P.W.Board | | R7208 | 06S15615Y97 RES,RK 104J 1/16 -CP |
| ERATO-P.W.Board | | R7209 | 06S15615Y25 RES,RK 101J 1/16 -CP |
| ERATO-P.W.Board | | R7210 | 06S15615Y81 RES,RK 223J 1/16 -CP |
| ERATO-P.W.Board | | R7211 | 06S15615Y09 RES,RK 22RJ 1/16 -CP |
| ERATO-P.W.Board | | R7216 | 06S15615Y09 RES,RK 22RJ 1/16 -CP |
| ERATO-P.W.Board | | R7217 | 06S15615Y25 RES,RK 101J 1/16 -CP |
| ERATO-P.W.Board | | R7218 | 06S15615Y09 RES,RK 22RJ 1/16 -CP |
| ERATO-P.W.Board | | R7219 | 06S15615Y25 RES,RK 101J 1/16 -CP |
| ERATO-P.W.Board | | R7220 | 06S15615Y09 RES,RK 22RJ 1/16 -CP |
| ERATO-P.W.Board | | R7221 | 06S15615Y25 RES,RK 101J 1/16 -CP |
| ERATO-P.W.Board | | R7222 | 06S15615Y13 RES,RK 33RJ 1/16 -CP |
| ERATO-P.W.Board | | R7223 | 06S15615Y13 RES,RK 33RJ 1/16 -CP |
| ERATO-P.W.Board | | R7224 | 06S15615Y13 RES,RK 33RJ 1/16 -CP |
| ERATO-P.W.Board | | R7225 | 06S15615Y13 RES,RK 33RJ 1/16 -CP |
| ERATO-P.W.Board | | R7226 | 06S15615Y13 RES,RK 33RJ 1/16 -CP |

NOTE:The part that has not PART NUMBER will not be supplied.

| MODEL | Symbol No. | Parts No. | Description |
|-------|------------|-----------|-------------|
|-------|------------|-----------|-------------|

| | | | |
|-----------------|--|-----------------------|----------------------------------|
| ERATO-P.W.Board | | R7227 | 06S15615Y13 RES,RK 33RJ 1/16 -CP |
| ERATO-P.W.Board | | R7228 | 06S15615Y13 RES,RK 33RJ 1/16 -CP |
| ERATO-P.W.Board | | R7229 | 06S15615Y13 RES,RK 33RJ 1/16 -CP |
| ERATO-P.W.Board | | R7230 | 06S15615Y13 RES,RK 33RJ 1/16 -CP |
| ERATO-P.W.Board | | R7231 | 06S15615Y13 RES,RK 33RJ 1/16 -CP |
| ERATO-P.W.Board | | R7232 | 06S15615Y13 RES,RK 33RJ 1/16 -CP |
| ERATO-P.W.Board | | R7233 | 06S15615Y13 RES,RK 33RJ 1/16 -CP |
| ERATO-P.W.Board | | R7234 | 06S15615Y13 RES,RK 33RJ 1/16 -CP |
| ERATO-P.W.Board | | R7235 | 06S15615Y13 RES,RK 33RJ 1/16 -CP |
| ERATO-P.W.Board | | R7236 | 06S15615Y13 RES,RK 33RJ 1/16 -CP |
| ERATO-P.W.Board | | R7237 | 06S15615Y13 RES,RK 33RJ 1/16 -CP |
| ERATO-P.W.Board | | R7238 | 06S15615Y25 RES,RK 101J 1/16 -CP |
| ERATO-P.W.Board | | R7239 | 06S15615Y13 RES,RK 33RJ 1/16 -CP |
| ERATO-P.W.Board | | R7240 | 06S15615Y13 RES,RK 33RJ 1/16 -CP |
| ERATO-P.W.Board | | R7241 | 06S15615Y13 RES,RK 33RJ 1/16 -CP |
| ERATO-P.W.Board | | R7245 | 06S15615Y13 RES,RK 33RJ 1/16 -CP |
| ERATO-P.W.Board | | R7247 | 06S15615Y25 RES,RK 101J 1/16 -CP |
| ERATO-P.W.Board | | R7248 | 06S15615Y89 RES,RK 473J 1/16 -CP |
| ERATO-P.W.Board | | R7249 | 06S15615Y25 RES,RK 101J 1/16 -CP |
| ERATO-P.W.Board | | R7250 | 06S15615Y25 RES,RK 101J 1/16 -CP |
| ERATO-P.W.Board | | R7251 | 06S15615Y25 RES,RK 101J 1/16 -CP |
| ERATO-P.W.Board | | R7252 | 06S15615Y25 RES,RK 101J 1/16 -CP |
| ERATO-P.W.Board | | R7253 | 06S15615Y25 RES,RK 101J 1/16 -CP |
| ERATO-P.W.Board | | R7254 | 06S15615Y25 RES,RK 101J 1/16 -CP |
| ERATO-P.W.Board | | R7255 | 06S15615Y89 RES,RK 473J 1/16 -CP |
| ERATO-P.W.Board | | R7256 | 06S15615Y25 RES,RK 101J 1/16 -CP |
| ERATO-P.W.Board | | R7257 | 06S15615Y89 RES,RK 473J 1/16 -CP |
| ERATO-P.W.Board | | R7258 | 06S15615Y25 RES,RK 101J 1/16 -CP |
| ERATO-P.W.Board | | R7259 | 06S15615Y25 RES,RK 101J 1/16 -CP |
| ERATO-P.W.Board | | R7260 | 06S15615Y25 RES,RK 101J 1/16 -CP |
| ERATO-P.W.Board | | R7261 | 06S15615Y25 RES,RK 101J 1/16 -CP |
| ERATO-P.W.Board | | R7262 | 06S15615Y25 RES,RK 101J 1/16 -CP |
| ERATO-P.W.Board | | R7263 | 06S15615Y89 RES,RK 473J 1/16 -CP |
| ERATO-P.W.Board | | R7267 | 06S15615Y09 RES,RK 22RJ 1/16 -CP |
| ERATO-P.W.Board | | R7268 | 06S15615Y09 RES,RK 22RJ 1/16 -CP |
| ERATO-P.W.Board | | R7269 | 06S15615Y09 RES,RK 22RJ 1/16 -CP |
| ERATO-P.W.Board | | R7270 | 06S15615Y09 RES,RK 22RJ 1/16 -CP |
| ERATO-P.W.Board | | R7271 | 06S15615Y65 RES,RK 472J 1/16 -CP |
| ERATO-P.W.Board | | R7272 | 06S15615Y81 RES,RK 223J 1/16 -CP |
| ERATO-P.W.Board | | R7273 | 06S15615Y65 RES,RK 472J 1/16 -CP |
| ERATO-P.W.Board | | R7274 | 06S15615Y81 RES,RK 223J 1/16 -CP |
| ERATO-P.W.Board | | R7275 | 06S15615Y81 RES,RK 223J 1/16 -CP |
| ERATO-P.W.Board | | R7276 | 06S15615Y65 RES,RK 472J 1/16 -CP |
| ERATO-P.W.Board | | R7277 | 06S70072F53 RES,CP .102-J-1/4-CP |
| ERATO-P.W.Board | | R7278 | 06S15615Y65 RES,RK 472J 1/16 -CP |
| ERATO-P.W.Board | | R7279 | 06S15615Y09 RES,RK 22RJ 1/16 -CP |
| ERATO-P.W.Board | | R7280 | 06S15615Y09 RES,RK 22RJ 1/16 -CP |

NOTE:The part that has not PART NUMBER will not be supplied.

| MODEL | Symbol No. | Parts No. | Description |
|-------|------------|-----------|-------------|
|-------|------------|-----------|-------------|

| | | | |
|-----------------|--|-----------------------|----------------------------------|
| ERATO-P.W.Board | | R7281 | 06S15615Y09 RES,RK 22RJ 1/16 -CP |
| ERATO-P.W.Board | | R7282 | 06S15615Y09 RES,RK 22RJ 1/16 -CP |
| ERATO-P.W.Board | | R7283 | 06S15615Y09 RES,RK 22RJ 1/16 -CP |
| ERATO-P.W.Board | | R7284 | 06S15615Y09 RES,RK 22RJ 1/16 -CP |
| ERATO-P.W.Board | | R7285 | 06S15615Y09 RES,RK 22RJ 1/16 -CP |
| ERATO-P.W.Board | | R7286 | 06S15615Y09 RES,RK 22RJ 1/16 -CP |
| ERATO-P.W.Board | | R7287 | 06S15615Y09 RES,RK 22RJ 1/16 -CP |
| ERATO-P.W.Board | | R7288 | 06S15615Y09 RES,RK 22RJ 1/16 -CP |
| ERATO-P.W.Board | | R7289 | 06S15615Y09 RES,RK 22RJ 1/16 -CP |
| ERATO-P.W.Board | | R7290 | 06S15615Y09 RES,RK 22RJ 1/16 -CP |
| ERATO-P.W.Board | | R7291 | 06S15615Y09 RES,RK 22RJ 1/16 -CP |
| ERATO-P.W.Board | | R7292 | 06S15615Y09 RES,RK 22RJ 1/16 -CP |
| ERATO-P.W.Board | | R7293 | 06S15615Y09 RES,RK 22RJ 1/16 -CP |
| ERATO-P.W.Board | | R7294 | 06S15615Y09 RES,RK 22RJ 1/16 -CP |
| ERATO-P.W.Board | | R7295 | 06S15615Y09 RES,RK 22RJ 1/16 -CP |
| ERATO-P.W.Board | | R7296 | 06S15615Y09 RES,RK 22RJ 1/16 -CP |
| ERATO-P.W.Board | | R7298 | 06S15615Y09 RES,RK 22RJ 1/16 -CP |
| ERATO-P.W.Board | | R7302 | 06S15615Y09 RES,RK 22RJ 1/16 -CP |
| ERATO-P.W.Board | | R7303 | 06S15615Y09 RES,RK 22RJ 1/16 -CP |
| ERATO-P.W.Board | | R7304 | 06S15615Y09 RES,RK 22RJ 1/16 -CP |
| ERATO-P.W.Board | | R7305 | 06S15615Y09 RES,RK 22RJ 1/16 -CP |
| ERATO-P.W.Board | | R7306 | 06S15615Y09 RES,RK 22RJ 1/16 -CP |
| ERATO-P.W.Board | | R7307 | 06S15615Y09 RES,RK 22RJ 1/16 -CP |
| ERATO-P.W.Board | | R7308 | 06S15615Y09 RES,RK 22RJ 1/16 -CP |
| ERATO-P.W.Board | | R7309 | 06S15615Y09 RES,RK 22RJ 1/16 -CP |
| ERATO-P.W.Board | | R7310 | 06S15615Y09 RES,RK 22RJ 1/16 -CP |
| ERATO-P.W.Board | | R7317 | 06S15615Y09 RES,RK 22RJ 1/16 -CP |
| ERATO-P.W.Board | | R7318 | 06S15615Y09 RES,RK 22RJ 1/16 -CP |
| ERATO-P.W.Board | | R7319 | 06S15615Y09 RES,RK 22RJ 1/16 -CP |
| ERATO-P.W.Board | | R7320 | 06S15615Y09 RES,RK 22RJ 1/16 -CP |
| ERATO-P.W.Board | | R7321 | 06S15615Y09 RES,RK 22RJ 1/16 -CP |
| ERATO-P.W.Board | | R7322 | 06S15615Y09 RES,RK 22RJ 1/16 -CP |
| ERATO-P.W.Board | | R7323 | 06S45675W43 RES,RK JUMPER1/10-CP |
| ERATO-P.W.Board | | R7324 | 06S15615Y97 RES,RK 104J 1/16 -CP |
| ERATO-P.W.Board | | R7325 | 06S45675W43 RES,RK JUMPER1/10-CP |
| ERATO-P.W.Board | | R7326 | 06S15615Y09 RES,RK 22RJ 1/16 -CP |
| ERATO-P.W.Board | | R7327 | 06S15615Y81 RES,RK 223J 1/16 -CP |
| ERATO-P.W.Board | | R7328 | 06S15615Y81 RES,RK 223J 1/16 -CP |
| ERATO-P.W.Board | | R7329 | 06S15615Y81 RES,RK 223J 1/16 -CP |
| ERATO-P.W.Board | | R7330 | 06S15615Y81 RES,RK 223J 1/16 -CP |
| ERATO-P.W.Board | | R7331 | 06S15615Y81 RES,RK 223J 1/16 -CP |
| ERATO-P.W.Board | | R7332 | 06S15615Y81 RES,RK 223J 1/16 -CP |
| ERATO-P.W.Board | | R7333 | 06S15615Y65 RES,RK 472J 1/16 -CP |
| ERATO-P.W.Board | | R7334 | 06S15615Y81 RES,RK 223J 1/16 -CP |
| ERATO-P.W.Board | | R7335 | 06S15615Y81 RES,RK 223J 1/16 -CP |
| ERATO-P.W.Board | | R7336 | 06S45675W43 RES,RK JUMPER1/10-CP |
| ERATO-P.W.Board | | R7337 | 06S15593Y68 RES,RK 622F 1/10 -CP |

NOTE:The part that has not PART NUMBER will not be supplied.

| MODEL | Symbol No. | Parts No. | Description |
|-----------------|------------|-----------------------|----------------------------------|
| ERATO-P.W.Board | | R7338 | 06S15593Y94 RES,RK 753F 1/10 -CP |
| ERATO-P.W.Board | | R7343 | 06S15615Y09 RES,RK 22RJ 1/16 -CP |
| ERATO-P.W.Board | | R7349 | 06S15615Y25 RES,RK 101J 1/16 -CP |
| ERATO-P.W.Board | | R7351 | 06S45675W43 RES,RK JUMPER1/10-CP |
| ERATO-P.W.Board | | R7355 | 06S45675W43 RES,RK JUMPER1/10-CP |
| ERATO-P.W.Board | | R7356 | 06S45675W43 RES,RK JUMPER1/10-CP |
| ERATO-P.W.Board | | R7357 | 06S45675W43 RES,RK JUMPER1/10-CP |
| ERATO-P.W.Board | | R7390 | 06S35095Y08 RES,RK JUMPER 1/4-CP |
| ERATO-P.W.Board | | R7391 | 06S15615Y49 RES,RK 102J 1/16 -CP |
| ERATO-P.W.Board | | R7414 | 06S35083Y08 RES,RK 39RF 1/4 -CP |
| ERATO-P.W.Board | | R7415 | 06T25178Y44 RES,RK 36RF 1/4 -CP |
| ERATO-P.W.Board | | R7417 | 06S70072F41 RES,CP .331-J-1/4-CP |
| ERATO-P.W.Board | | R7418 | 06S70072F53 RES,CP .102-J-1/4-CP |
| ERATO-P.W.Board | | R7419 | 06S70072F53 RES,CP .102-J-1/4-CP |
| ERATO-P.W.Board | | R7420 | 06S70072F53 RES,CP .102-J-1/4-CP |
| ERATO-P.W.Board | | R7421 | 06S35083Y81 RES,RK 30RF 1/4 -CP |
| ERATO-P.W.Board | | R7422 | 06T25178Y46 RES,RK 43RF 1/4 -CP |
| ERATO-P.W.Board | | R7423 | 06S15615Y65 RES,RK 472J 1/16 -CP |
| ERATO-P.W.Board | | R7425 | 06S15615Y65 RES,RK 472J 1/16 -CP |
| ERATO-P.W.Board | | R7426 | 06S15615Y65 RES,RK 472J 1/16 -CP |
| ERATO-P.W.Board | | R7427 | 06S70072F53 RES,CP .102-J-1/4-CP |
| ERATO-P.W.Board | | R7428 | 06S70072F53 RES,CP .102-J-1/4-CP |
| ERATO-P.W.Board | | R7429 | 06S15615Y65 RES,RK 472J 1/16 -CP |
| ERATO-P.W.Board | | R7430 | 06S45674W49 RES,RK 471J 1/10 -CP |
| ERATO-P.W.Board | | R7431 | 06S45674W49 RES,RK 471J 1/10 -CP |
| ERATO-P.W.Board | | R7432 | 06S70072F53 RES,CP .102-J-1/4-CP |
| ERATO-P.W.Board | | R7433 | 06S15615Y81 RES,RK 223J 1/16 -CP |
| ERATO-P.W.Board | | R7434 | 06S70072F53 RES,CP .102-J-1/4-CP |
| ERATO-P.W.Board | | R7435 | 06S70072F51 RES,CP .821-J-1/4-CP |
| ERATO-P.W.Board | | R7436 | 06S35095Y08 RES,RK JUMPER 1/4-CP |
| ERATO-P.W.Board | | R7437 | 06S35095Y08 RES,RK JUMPER 1/4-CP |
| ERATO-P.W.Board | | R7438 | 06S35095Y08 RES,RK JUMPER 1/4-CP |
| ERATO-P.W.Board | | R7439 | 06S45675W43 RES,RK JUMPER1/10-CP |
| ERATO-P.W.Board | | R7440 | 06S45675W43 RES,RK JUMPER1/10-CP |
| ERATO-P.W.Board | | R7444 | 06S35083Y81 RES,RK 30RF 1/4 -CP |
| ERATO-P.W.Board | | R7445 | 06T25178Y46 RES,RK 43RF 1/4 -CP |
| ERATO-P.W.Board | | R7446 | 06S70072F29 RES,CP .101-J-1/4-CP |
| ERATO-P.W.Board | | R7447 | 06S70072F53 RES,CP .102-J-1/4-CP |
| ERATO-P.W.Board | | R7448 | 06S70072F77 RES,CP .103-J-1/4-CP |
| ERATO-P.W.Board | | R7449 | 06S70072F29 RES,CP .101-J-1/4-CP |
| ERATO-P.W.Board | | R7450 | 06S70072F29 RES,CP .101-J-1/4-CP |
| ERATO-P.W.Board | | R7451 | 06S70072F63 RES,CP .272-J-1/4-CP |
| ERATO-P.W.Board | | R7452 | 06S15615Y49 RES,RK 102J 1/16 -CP |
| ERATO-P.W.Board | | R7453 | 06S15615Y73 RES,RK 103J 1/16 -CP |
| ERATO-P.W.Board | | R7454 | 06S15616Y23 RES,RK JUMPER1/16-CP |
| ERATO-P.W.Board | | R7455 | 06S35095Y08 RES,RK JUMPER 1/4-CP |
| ERATO-P.W.Board | | R7456 | 06S35083Y13 RES,RK 101F 1/4 -CP |

NOTE:The part that has not PART NUMBER will not be supplied.

| MODEL | Symbol No. | Parts No. | Description |
|-------|------------|-----------|-------------|
|-------|------------|-----------|-------------|

| | | | |
|-----------------|--|-----------------------|----------------------------------|
| ERATO-P.W.Board | | R7457 | 06S35083Y13 RES,RK 101F 1/4 -CP |
| ERATO-P.W.Board | | R7458 | 06S35095Y08 RES,RK JUMPER 1/4-CP |
| ERATO-P.W.Board | | R7459 | 06S35095Y08 RES,RK JUMPER 1/4-CP |
| ERATO-P.W.Board | | R7460 | 06S70072F29 RES,CP .101-J-1/4-CP |
| ERATO-P.W.Board | | R7462 | 06S15615Y81 RES,RK 223J 1/16 -CP |
| ERATO-P.W.Board | | R7463 | 06S15615Y89 RES,RK 473J 1/16 -CP |
| ERATO-P.W.Board | | R7600 | 06S15615Y25 RES,RK 101J 1/16 -CP |
| ERATO-P.W.Board | | R7601 | 06S15615Y25 RES,RK 101J 1/16 -CP |
| ERATO-P.W.Board | | R7602 | 06S15615Y49 RES,RK 102J 1/16 -CP |
| ERATO-P.W.Board | | R7620 | 06S45675W43 RES,RK JUMPER1/10-CP |
| ERATO-P.W.Board | | R7700 | 06S70072F78 RES,CP .2R2-J-1/4-CP |
| ERATO-P.W.Board | | R7701 | 06S65415Y29 RES,RK 222F 1/16 -CP |
| ERATO-P.W.Board | | R7702 | 06S65415Y29 RES,RK 222F 1/16 -CP |
| ERATO-P.W.Board | | R7703 | 06S15593Y56 RES,RK 202F 1/10 -CP |
| ERATO-P.W.Board | | R7704 | 06S15616Y23 RES,RK JUMPER1/16-CP |
| ERATO-P.W.Board | | R7713 | 06S65415Y31 RES,RK 332F 1/16 -CP |
| ERATO-P.W.Board | | R7714 | 06S65415Y31 RES,RK 332F 1/16 -CP |
| ERATO-P.W.Board | | R7715 | 06S65415Y31 RES,RK 332F 1/16 -CP |
| ERATO-P.W.Board | | R7716 | 06S65415Y31 RES,RK 332F 1/16 -CP |
| ERATO-P.W.Board | | R7717 | 06S15615Y94 RES,RK 753J 1/16 -CP |
| ERATO-P.W.Board | | R7718 | 06S15615Y77 RES,RK 153J 1/16 -CP |
| ERATO-P.W.Board | | R7719 | 06S15615Y93 RES,RK 683J 1/16 -CP |
| ERATO-P.W.Board | | R7720 | 06S15615Y85 RES,RK 333J 1/16 -CP |
| ERATO-P.W.Board | | R7721 | 06S15616Y23 RES,RK JUMPER1/16-CP |
| ERATO-P.W.Board | | R7722 | 06S15616Y23 RES,RK JUMPER1/16-CP |
| ERATO-P.W.Board | | R7723 | 06S65415Y29 RES,RK 222F 1/16 -CP |
| ERATO-P.W.Board | | R7724 | 06S15616Y23 RES,RK JUMPER1/16-CP |
| ERATO-P.W.Board | | R7725 | 06S65415Y37 RES,RK 103F 1/16 -CP |
| ERATO-P.W.Board | | R7726 | 06-02713Z09 RES,RK 272D 1/16 -CP |
| ERATO-P.W.Board | | R7727 | 06S65415Y37 RES,RK 103F 1/16 -CP |
| ERATO-P.W.Board | | R7728 | 06S65415Y28 RES,RK 182F 1/16 -CP |
| ERATO-P.W.Board | | R7729 | 06S65415Y34 RES,RK 562F 1/16 -CP |
| ERATO-P.W.Board | | R7730 | 06S65415Y34 RES,RK 562F 1/16 -CP |
| ERATO-P.W.Board | | R7731 | 06S65415Y34 RES,RK 562F 1/16 -CP |
| ERATO-P.W.Board | | R7732 | 06-02713Z16 RES,RK 103D 1/16 -CP |
| ERATO-P.W.Board | | R7733 | 06S65415Y38 RES,RK 123F 1/16 -CP |
| ERATO-P.W.Board | | R7734 | 06S65415Y29 RES,RK 222F 1/16 -CP |
| ERATO-P.W.Board | | R7735 | 06S65415Y35 RES,RK 682F 1/16 -CP |
| ERATO-P.W.Board | | R7736 | 06S15616Y23 RES,RK JUMPER1/16-CP |
| ERATO-P.W.Board | | R7737 | 06S65415Y35 RES,RK 682F 1/16 -CP |
| ERATO-P.W.Board | | R7738 | 06-02713Z12 RES,RK 472D 1/16 -CP |
| ERATO-P.W.Board | | R7739 | 06S15594Y13 RES,RK 434F 1/10 -CP |
| ERATO-P.W.Board | | R7740 | 06S15593Y94 RES,RK 753F 1/10 -CP |
| ERATO-P.W.Board | | R7741 | 06S15616Y23 RES,RK JUMPER1/16-CP |
| ERATO-P.W.Board | | R7742 | 06S15616Y23 RES,RK JUMPER1/16-CP |
| ERATO-P.W.Board | | R7743 | 06S15616Y23 RES,RK JUMPER1/16-CP |
| ERATO-P.W.Board | | R7744 | 06S15616Y23 RES,RK JUMPER1/16-CP |

NOTE:The part that has not PART NUMBER will not be supplied.

| MODEL | Symbol No. | Parts No. | Description |
|-------|------------|-----------|-------------|
|-------|------------|-----------|-------------|

| | | | |
|-----------------|--|-----------------------|----------------------------------|
| ERATO-P.W.Board | | R7745 | 06S15615Y01 RES,RK 10RJ 1/16 -CP |
| ERATO-P.W.Board | | R7746 | 06S15615Y01 RES,RK 10RJ 1/16 -CP |
| ERATO-P.W.Board | | R7747 | 06S15615Y01 RES,RK 10RJ 1/16 -CP |
| ERATO-P.W.Board | | R7748 | 06S15615Y01 RES,RK 10RJ 1/16 -CP |
| ERATO-P.W.Board | | R7749 | 06S15615Y65 RES,RK 472J 1/16 -CP |
| ERATO-P.W.Board | | R7750 | 06S15615Y01 RES,RK 10RJ 1/16 -CP |
| ERATO-P.W.Board | | R7751 | 06S15615Y01 RES,RK 10RJ 1/16 -CP |
| ERATO-P.W.Board | | R7753 | 06S15615Y01 RES,RK 10RJ 1/16 -CP |
| ERATO-P.W.Board | | R7754 | 06S15615Y01 RES,RK 10RJ 1/16 -CP |
| ERATO-P.W.Board | | R7755 | 06S70072F78 RES,CP .2R2-J-1/4-CP |
| ERATO-P.W.Board | | R7756 | 06S70072F78 RES,CP .2R2-J-1/4-CP |
| ERATO-P.W.Board | | R7757 | 06S15615Y01 RES,RK 10RJ 1/16 -CP |
| ERATO-P.W.Board | | R7758 | 06S15615Y01 RES,RK 10RJ 1/16 -CP |
| ERATO-P.W.Board | | R7759 | 06S15615Y09 RES,RK 22RJ 1/16 -CP |
| ERATO-P.W.Board | | R7760 | 06S15615Y01 RES,RK 10RJ 1/16 -CP |
| ERATO-P.W.Board | | R7761 | 06S15615Y09 RES,RK 22RJ 1/16 -CP |
| ERATO-P.W.Board | | R7762 | 06S15615Y01 RES,RK 10RJ 1/16 -CP |
| ERATO-P.W.Board | | R7763 | 06S15615Y09 RES,RK 22RJ 1/16 -CP |
| ERATO-P.W.Board | | R7764 | 06S15615Y09 RES,RK 22RJ 1/16 -CP |
| ERATO-P.W.Board | | R7765 | 06S15615Y01 RES,RK 10RJ 1/16 -CP |
| ERATO-P.W.Board | | R7766 | 06S15615Y01 RES,RK 10RJ 1/16 -CP |
| ERATO-P.W.Board | | R7767 | 06S15615Y01 RES,RK 10RJ 1/16 -CP |
| ERATO-P.W.Board | | R7768 | 06S15615Y01 RES,RK 10RJ 1/16 -CP |
| ERATO-P.W.Board | | R7773 | 06S15616Y27 RES,RK 2R2J 1/16 -CP |
| ERATO-P.W.Board | | R7774 | 06S15616Y27 RES,RK 2R2J 1/16 -CP |
| ERATO-P.W.Board | | R7775 | 06S15616Y27 RES,RK 2R2J 1/16 -CP |
| ERATO-P.W.Board | | R7776 | 06S15616Y27 RES,RK 2R2J 1/16 -CP |
| ERATO-P.W.Board | | R7777 | 06S75462Y02 RES,RK R056F 1/4 -CP |
| ERATO-P.W.Board | | R7778 | 06S75462Y02 RES,RK R056F 1/4 -CP |
| ERATO-P.W.Board | | R7779 | 06S75462Y02 RES,RK R056F 1/4 -CP |
| ERATO-P.W.Board | | R7780 | 06S75462Y02 RES,RK R056F 1/4 -CP |
| ERATO-P.W.Board | | R7781 | 06S75462Y02 RES,RK R056F 1/4 -CP |
| ERATO-P.W.Board | | R7782 | 06S75462Y02 RES,RK R056F 1/4 -CP |
| ERATO-P.W.Board | | R7783 | 06S75462Y02 RES,RK R056F 1/4 -CP |
| ERATO-P.W.Board | | R7785 | 06S75462Y02 RES,RK R056F 1/4 -CP |
| ERATO-P.W.Board | | R7786 | 06S75462Y02 RES,RK R056F 1/4 -CP |
| ERATO-P.W.Board | | R7789 | 06S75462Y02 RES,RK R056F 1/4 -CP |
| ERATO-P.W.Board | | R7790 | 06S75462Y02 RES,RK R056F 1/4 -CP |
| ERATO-P.W.Board | | R7791 | 06S75462Y01 RES,RK R047F 1/4 -CP |
| ERATO-P.W.Board | | R7793 | 06S65415Y34 RES,RK 562F 1/16 -CP |
| ERATO-P.W.Board | | R7794 | 06S65415Y37 RES,RK 103F 1/16 -CP |
| ERATO-P.W.Board | | R7803 | 06S45674W47 RES,RK 391J 1/10 -CP |
| ERATO-P.W.Board | | R7804 | 06S45674W49 RES,RK 471J 1/10 -CP |
| ERATO-P.W.Board | | R7805 | 06S15593Y39 RES,RK 391F 1/10 -CP |
| ERATO-P.W.Board | | R7806 | 06S65415Y29 RES,RK 222F 1/16 -CP |
| ERATO-P.W.Board | | R7807 | 06S65415Y36 RES,RK 822F 1/16 -CP |
| ERATO-P.W.Board | | R7810 | 06S15615Y49 RES,RK 102J 1/16 -CP |

NOTE:The part that has not PART NUMBER will not be supplied.

| MODEL | Symbol No. | Parts No. | Description |
|-------|------------|-----------|-------------|
|-------|------------|-----------|-------------|

| | | | |
|-----------------|--|------------------------|----------------------------------|
| ERATO-P.W.Board | | R7815 | 06S45675W43 RES,RK JUMPER1/10-CP |
| ERATO-P.W.Board | | R7816 | 06S45674W49 RES,RK 471J 1/10 -CP |
| ERATO-P.W.Board | | R7823 | 06S45674W51 RES,RK 561J 1/10 -CP |
| ERATO-P.W.Board | | R7824 | 06S70072F33 RES,CP .151-J-1/4-CP |
| ERATO-P.W.Board | | R7825 | 06S70072F33 RES,CP .151-J-1/4-CP |
| ERATO-P.W.Board | | R7826 | 06S70072F33 RES,CP .151-J-1/4-CP |
| ERATO-P.W.Board | | R7827 | 06S70072F33 RES,CP .151-J-1/4-CP |
| ERATO-P.W.Board | | R7828 | 06S70072F33 RES,CP .151-J-1/4-CP |
| ERATO-P.W.Board | | R7829 | 06S70072F33 RES,CP .151-J-1/4-CP |
| ERATO-P.W.Board | | R7830 | 06S70072F33 RES,CP .151-J-1/4-CP |
| ERATO-P.W.Board | | R7831 | 06S70072F33 RES,CP .151-J-1/4-CP |
| ERATO-P.W.Board | | RA6005 | 06S15771Y13 RES,ARYEXB28V101J-CP |
| ERATO-P.W.Board | | RA6006 | 06S15771Y05 RES,ARYEXB28V22RJ-CP |
| ERATO-P.W.Board | | RA6007 | 06S15771Y05 RES,ARYEXB28V22RJ-CP |
| ERATO-P.W.Board | | RA6200 | 06S15771Y41 RES,ARYEXB28V223J-CP |
| ERATO-P.W.Board | | RA6201 | 06S15771Y15 RES,ARYEXB28V151J-CP |
| ERATO-P.W.Board | | RA6202 | 06S15771Y15 RES,ARYEXB28V151J-CP |
| ERATO-P.W.Board | | RA6404 | 06S15771Y10 RES,ARYEXB28V56RJ-CP |
| ERATO-P.W.Board | | RA6405 | 06S15771Y10 RES,ARYEXB28V56RJ-CP |
| ERATO-P.W.Board | | RA6406 | 06S15771Y10 RES,ARYEXB28V56RJ-CP |
| ERATO-P.W.Board | | RA6407 | 06S15771Y10 RES,ARYEXB28V56RJ-CP |
| ERATO-P.W.Board | | RA6408 | 06S15771Y10 RES,ARYEXB28V56RJ-CP |
| ERATO-P.W.Board | | RA6409 | 06S15771Y10 RES,ARYEXB28V56RJ-CP |
| ERATO-P.W.Board | | RA6410 | 06S15771Y10 RES,ARYEXB28V56RJ-CP |
| ERATO-P.W.Board | | RA6411 | 06S15771Y10 RES,ARYEXB28V56RJ-CP |
| ERATO-P.W.Board | | RA6412 | 06S15771Y10 RES,ARYEXB28V56RJ-CP |
| ERATO-P.W.Board | | RA6413 | 06S15771Y10 RES,ARYEXB28V56RJ-CP |
| ERATO-P.W.Board | | RA6481 | 06S15771Y07 RES,ARYEXB28V33RJ-CP |
| ERATO-P.W.Board | | RA6482 | 06S15771Y07 RES,ARYEXB28V33RJ-CP |
| ERATO-P.W.Board | | RA6701 | 06S15771Y41 RES,ARYEXB28V223J-CP |
| ERATO-P.W.Board | | RA6703 | 06S15771Y41 RES,ARYEXB28V223J-CP |
| ERATO-P.W.Board | | RA6704 | 06S15771Y07 RES,ARYEXB28V33RJ-CP |
| ERATO-P.W.Board | | RA6705 | 06S15771Y07 RES,ARYEXB28V33RJ-CP |
| ERATO-P.W.Board | | RA6706 | 06S15771Y07 RES,ARYEXB28V33RJ-CP |
| ERATO-P.W.Board | | RA7200 | 06S15771Y41 RES,ARYEXB28V223J-CP |
| ERATO-P.W.Board | | RA7201 | 06S15771Y41 RES,ARYEXB28V223J-CP |
| ERATO-P.W.Board | | RA7202 | 06S15771Y41 RES,ARYEXB28V223J-CP |
| ERATO-P.W.Board | | RA7600 | 06S15771Y41 RES,ARYEXB28V223J-CP |
| ERATO-P.W.Board | | SD7400 | 48T75102Y01 DIO,SHT RSX301L-30E1 |
| ERATO-P.W.Board | | SD7700 | 48-07511Z01 DIO,SHT CRS12-L -CP |
| ERATO-P.W.Board | | SD7701 | 48-07511Z01 DIO,SHT CRS12-L -CP |
| ERATO-P.W.Board | | SD7702 | 48-07511Z01 DIO,SHT CRS12-L -CP |
| ERATO-P.W.Board | | SD7703 | 48-07511Z01 DIO,SHT CRS12-L -CP |
| ERATO-P.W.Board | | SD7704 | 48-19296Z01 DIO,SHT RB056L-40-E1 |
| ERATO-P.W.Board | | SD7705 | 48-19296Z01 DIO,SHT RB056L-40-E1 |
| ERATO-P.W.Board | | SD7706 | 48-19296Z01 DIO,SHT RB056L-40-E1 |
| ERATO-P.W.Board | | SD7707 | 48-19296Z01 DIO,SHT RB056L-40-E1 |

NOTE:The part that has not PART NUMBER will not be supplied.

| MODEL | Symbol No. | Parts No. | Description |
|-------|------------|-----------|-------------|
|-------|------------|-----------|-------------|

| | | | | |
|-------------------|--|------------------------|-------------|----------------------|
| ERATO-P.W.Board | | XL6400 | 91-17642Z09 | XTL,NX3225SA 27.0-CP |
| ERATO-P.W.Board | | XL6401 | 91-17642Z10 | XTL,NX3225SA 33.0-CP |
| ERATO-P.W.Board | | XL6402 | 91-17642Z07 | XTL,NX3225SA 24NS-CP |
| ERATO-P.W.Board | | Z6200 | 91T75196Y01 | EMI,BK1005HM102 -CP |
| ERATO-P.W.Board | | Z6201 | 91T75196Y01 | EMI,BK1005HM102 -CP |
| ERATO-P.W.Board | | Z6202 | 91T75196Y01 | EMI,BK1005HM102 -CP |
| ERATO-P.W.Board | | Z6203 | 91T75196Y01 | EMI,BK1005HM102 -CP |
| ERATO-P.W.Board | | Z6204 | 91T75196Y01 | EMI,BK1005HM102 -CP |
| ERATO-P.W.Board | | Z6205 | 91T75196Y01 | EMI,BK1005HM102 -CP |
| ERATO-P.W.Board | | Z6206 | 91T75196Y01 | EMI,BK1005HM102 -CP |
| ERATO-P.W.Board | | Z6207 | 91T75196Y01 | EMI,BK1005HM102 -CP |
| ERATO-P.W.Board | | Z6400 | 91T15509Y07 | EMI,BK1608HM601 -CP |
| ERATO-P.W.Board | | Z6401 | 91T15509Y07 | EMI,BK1608HM601 -CP |
| ERATO-P.W.Board | | Z6402 | 91T15509Y07 | EMI,BK1608HM601 -CP |
| ERATO-P.W.Board | | Z6700 | 91T75196Y22 | EMI,BK1005LL121 -CP |
| ERATO-P.W.Board | | Z6701 | 91T15509Y07 | EMI,BK1608HM601 -CP |
| ERATO-P.W.Board | | Z6702 | 24-06212Z07 | FBI,BLM15BD601SH1-CP |
| ERATO-P.W.Board | | Z7400 | 91T75196Y01 | EMI,BK1005HM102 -CP |
| ERATO-P.W.Board | | Z7401 | 91-18210Z01 | EMI,EXC24CE900U -CP |
| ERATO-P.W.Board | | ZD7401 | 48-16145Z22 | DIO,ZEN PZU5.6B2 -CP |
| ERATO-P.W.Board | | ZD7402 | 48-16145Z22 | DIO,ZEN PZU5.6B2 -CP |
| ERATO-P.W.Board | | ZD7403 | 48-16145Z22 | DIO,ZEN PZU5.6B2 -CP |
| ERATO-P.W.Board | | ZD7404 | 48-16145Z22 | DIO,ZEN PZU5.6B2 -CP |
| ERATO-P.W.Board | | ZD7405 | 48-16145Z22 | DIO,ZEN PZU5.6B2 -CP |
| ERATO-P.W.Board | | ZD7406 | 48-16145Z22 | DIO,ZEN PZU5.6B2 -CP |
| ERATO-P.W.Board | | ZD7407 | 48-01607Z52 | DIO,ZEN LUDZ16B -CP |
| ERATO-P.W.Board | | ZD7408 | 48T55242Y02 | DIO,ZEN PTZ30B -E1 |
| DISPLAY-P.W.Board | | C4007 | 08S65669Y03 | CAP,CER 224KX7R1H-CP |
| DISPLAY-P.W.Board | | C4009 | 08S35374W12 | CAP,CER 106K-B0J -CP |
| DISPLAY-P.W.Board | | C4011 | 08S35374W12 | CAP,CER 106K-B0J -CP |
| DISPLAY-P.W.Board | | C4015 | 08S35374W12 | CAP,CER 106K-B0J -CP |
| DISPLAY-P.W.Board | | C4024 | 08S45676W73 | CAP,CER.103K-B1H -CP |
| DISPLAY-P.W.Board | | C4025 | 08S45676W73 | CAP,CER.103K-B1H -CP |
| DISPLAY-P.W.Board | | C4026 | 08S45676W73 | CAP,CER.103K-B1H -CP |
| DISPLAY-P.W.Board | | C4027 | 08S45676W73 | CAP,CER.103K-B1H -CP |
| DISPLAY-P.W.Board | | C4301 | 08S35349Y12 | CAP,CER 105K-B0J -CP |
| DISPLAY-P.W.Board | | C4302 | 08S45232Y21 | CAP,CER 104K-B1A-CP |
| DISPLAY-P.W.Board | | C4303 | 08S45232Y21 | CAP,CER 104K-B1A-CP |
| DISPLAY-P.W.Board | | C4304 | 08S45232Y21 | CAP,CER 104K-B1A-CP |
| DISPLAY-P.W.Board | | C4305 | 08S45232Y21 | CAP,CER 104K-B1A-CP |
| DISPLAY-P.W.Board | | C4306 | 08S35374W12 | CAP,CER 106K-B0J -CP |
| DISPLAY-P.W.Board | | C4307 | 08S45676W85 | CAP,CER 104K-B1C -CP |
| DISPLAY-P.W.Board | | C4310 | 08S45676W85 | CAP,CER 104K-B1C -CP |
| DISPLAY-P.W.Board | | C4311 | 08S35374W12 | CAP,CER 106K-B0J -CP |
| DISPLAY-P.W.Board | | C4312 | 08S45232Y21 | CAP,CER 104K-B1A-CP |
| DISPLAY-P.W.Board | | C4313 | 08S45232Y21 | CAP,CER 104K-B1A-CP |
| DISPLAY-P.W.Board | | C4314 | 08S45232Y21 | CAP,CER 104K-B1A-CP |

NOTE:The part that has not PART NUMBER will not be supplied.

| MODEL | Symbol No. | Parts No. | Description |
|-------------------|------------|-----------------------|----------------------------------|
| DISPLAY-P.W.Board | | C4315 | 08S35374W12 CAP,CER 106K-B0J -CP |
| DISPLAY-P.W.Board | | C4316 | 08S45676W85 CAP,CER 104K-B1C -CP |
| DISPLAY-P.W.Board | | C4319 | 08S45676W85 CAP,CER 104K-B1C -CP |
| DISPLAY-P.W.Board | | C4320 | 08S35374W12 CAP,CER 106K-B0J -CP |
| DISPLAY-P.W.Board | | C4321 | 08S45232Y21 CAP,CER 104K-B1A-CP |
| DISPLAY-P.W.Board | | C4322 | 08S45232Y21 CAP,CER 104K-B1A-CP |
| DISPLAY-P.W.Board | | C4324 | 08S45231Y18 CAP,CER 27RJ-CH1H-CP |
| DISPLAY-P.W.Board | | C4325 | 08S45232Y21 CAP,CER 104K-B1A-CP |
| DISPLAY-P.W.Board | | C4333 | 08S65669Y03 CAP,CER 224KX7R1H-CP |
| DISPLAY-P.W.Board | | C4500 | 08S65669Y03 CAP,CER 224KX7R1H-CP |
| DISPLAY-P.W.Board | | C4501 | 08S45232Y13 CAP,CER 223K-B1C -CP |
| DISPLAY-P.W.Board | | C4506 | 08S65670Y06 CAP,CER 226KX5R1A-CP |
| DISPLAY-P.W.Board | | C4507 | 08S65669Y03 CAP,CER 224KX7R1H-CP |
| DISPLAY-P.W.Board | | C4511 | 08-14627Z01 CAP,CER 107MX5R0J-CP |
| DISPLAY-P.W.Board | | C4512 | 08S45232Y05 CAP,CER 102K-B1H -CP |
| DISPLAY-P.W.Board | | C4513 | 08-14627Z01 CAP,CER 107MX5R0J-CP |
| DISPLAY-P.W.Board | | C4514 | 08S45232Y05 CAP,CER 102K-B1H -CP |
| DISPLAY-P.W.Board | | C4516 | 08S65669Y03 CAP,CER 224KX7R1H-CP |
| DISPLAY-P.W.Board | | C4517 | 08S65669Y03 CAP,CER 224KX7R1H-CP |
| DISPLAY-P.W.Board | | C4518 | 08S65669Y03 CAP,CER 224KX7R1H-CP |
| DISPLAY-P.W.Board | | C5001 | 08S35349Y12 CAP,CER 105K-B0J -CP |
| DISPLAY-P.W.Board | | C5002 | 08S35349Y12 CAP,CER 105K-B0J -CP |
| DISPLAY-P.W.Board | | C5015 | 08S65669Y03 CAP,CER 224KX7R1H-CP |
| DISPLAY-P.W.Board | | C5020 | 08S65669Y03 CAP,CER 224KX7R1H-CP |
| DISPLAY-P.W.Board | | C5029 | 08S65669Y03 CAP,CER 224KX7R1H-CP |
| DISPLAY-P.W.Board | | C5065 | 08S65669Y03 CAP,CER 224KX7R1H-CP |
| DISPLAY-P.W.Board | | C5066 | 08S65669Y03 CAP,CER 224KX7R1H-CP |
| DISPLAY-P.W.Board | | C5067 | 08S65669Y03 CAP,CER 224KX7R1H-CP |
| DISPLAY-P.W.Board | | C5068 | 08S45676W85 CAP,CER 104K-B1C -CP |
| DISPLAY-P.W.Board | | C5069 | 08S45676W85 CAP,CER 104K-B1C -CP |
| DISPLAY-P.W.Board | | C5070 | 08S45676W85 CAP,CER 104K-B1C -CP |
| DISPLAY-P.W.Board | | C5071 | 08S45676W85 CAP,CER 104K-B1C -CP |
| DISPLAY-P.W.Board | | C5072 | 08S45676W85 CAP,CER 104K-B1C -CP |
| DISPLAY-P.W.Board | | C5073 | 08S45676W85 CAP,CER 104K-B1C -CP |
| DISPLAY-P.W.Board | | C5074 | 08S45676W85 CAP,CER 104K-B1C -CP |
| DISPLAY-P.W.Board | | C5075 | 08S45676W85 CAP,CER 104K-B1C -CP |
| DISPLAY-P.W.Board | | C5076 | 08S45676W85 CAP,CER 104K-B1C -CP |
| DISPLAY-P.W.Board | | C5077 | 08S45676W85 CAP,CER 104K-B1C -CP |
| DISPLAY-P.W.Board | | C5081 | 08S65669Y03 CAP,CER 224KX7R1H-CP |
| DISPLAY-P.W.Board | | C5084 | 08S45676W85 CAP,CER 104K-B1C -CP |
| DISPLAY-P.W.Board | | C5085 | 08S45676W85 CAP,CER 104K-B1C -CP |
| DISPLAY-P.W.Board | | C5086 | 08S45676W85 CAP,CER 104K-B1C -CP |
| DISPLAY-P.W.Board | | C5087 | 08S45676W85 CAP,CER 104K-B1C -CP |
| DISPLAY-P.W.Board | | C5501 | 08S45231Y24 CAP,CER 82RJ-CH1H-CP |
| DISPLAY-P.W.Board | | C5530 | 08S65669Y03 CAP,CER 224KX7R1H-CP |
| DISPLAY-P.W.Board | | C5531 | 08S65669Y03 CAP,CER 224KX7R1H-CP |
| DISPLAY-P.W.Board | | C5532 | 08S65669Y03 CAP,CER 224KX7R1H-CP |

NOTE:The part that has not PART NUMBER will not be supplied.

| MODEL | Symbol No. | Parts No. | Description |
|-------------------|------------|------------------------|----------------------------------|
| DISPLAY-P.W.Board | | C5533 | 08S65669Y03 CAP,CER 224KX7R1H-CP |
| DISPLAY-P.W.Board | | C5534 | 08S65669Y03 CAP,CER 224KX7R1H-CP |
| DISPLAY-P.W.Board | | C5600 | 08S65670Y07 CAP,CER 105KX5R1H-CP |
| DISPLAY-P.W.Board | | C5601 | 08S65669Y03 CAP,CER 224KX7R1H-CP |
| DISPLAY-P.W.Board | | C5602 | 08S45676W83 CAP,CER 473K-B1C -CP |
| DISPLAY-P.W.Board | | C5603 | 08S45677W50 CAP,CER 391J-CH1H-CP |
| DISPLAY-P.W.Board | | C5604 | 08S65670Y01 CAP,CER 106KX5R1C-CP |
| DISPLAY-P.W.Board | | C5605 | 08S65670Y07 CAP,CER 105KX5R1H-CP |
| DISPLAY-P.W.Board | | C5606 | 08S35374W01 CAP,CER 104K-B1E-CP |
| DISPLAY-P.W.Board | | C5607 | 08S65670Y07 CAP,CER 105KX5R1H-CP |
| DISPLAY-P.W.Board | | C5608 | 08S65670Y09 CAP,CER 106KX5R1E-CP |
| DISPLAY-P.W.Board | | C5609 | 08S65670Y08 CAP,CER 225KX5R1H-CP |
| DISPLAY-P.W.Board | | C5610 | 08S65670Y08 CAP,CER 225KX5R1H-CP |
| DISPLAY-P.W.Board | | C5612 | 08S65670Y07 CAP,CER 105KX5R1H-CP |
| DISPLAY-P.W.Board | | C5613 | 08S45232Y21 CAP,CER 104K-B1A-CP |
| DISPLAY-P.W.Board | | C5614 | 08S65669Y03 CAP,CER 224KX7R1H-CP |
| DISPLAY-P.W.Board | | C5615 | 08S65669Y03 CAP,CER 224KX7R1H-CP |
| DISPLAY-P.W.Board | | C5616 | 08S65670Y08 CAP,CER 225KX5R1H-CP |
| DISPLAY-P.W.Board | | C5617 | 08S65670Y07 CAP,CER 105KX5R1H-CP |
| DISPLAY-P.W.Board | | C5618 | 08S45232Y04 CAP,CER 681K-B1H -CP |
| DISPLAY-P.W.Board | | C5619 | 08S45231Y25 CAP,CER 101J-CH1H-CP |
| DISPLAY-P.W.Board | | C5620 | 08S45232Y07 CAP,CER 222K-B1H -CP |
| DISPLAY-P.W.Board | | C5621 | 08S45232Y07 CAP,CER 222K-B1H -CP |
| DISPLAY-P.W.Board | | C5622 | 08S65670Y08 CAP,CER 225KX5R1H-CP |
| DISPLAY-P.W.Board | | C5623 | 08S45232Y07 CAP,CER 222K-B1H -CP |
| DISPLAY-P.W.Board | | C5624 | 08S45232Y05 CAP,CER 102K-B1H -CP |
| DISPLAY-P.W.Board | | C5625 | 08S45232Y21 CAP,CER 104K-B1A-CP |
| DISPLAY-P.W.Board | | C5626 | 08S65669Y03 CAP,CER 224KX7R1H-CP |
| DISPLAY-P.W.Board | | C5628 | 08S45232Y07 CAP,CER 222K-B1H -CP |
| DISPLAY-P.W.Board | | C5629 | 08S65669Y03 CAP,CER 224KX7R1H-CP |
| DISPLAY-P.W.Board | | C5630 | 08S65669Y03 CAP,CER 224KX7R1H-CP |
| DISPLAY-P.W.Board | | C5631 | 08S65670Y07 CAP,CER 105KX5R1H-CP |
| DISPLAY-P.W.Board | | C5632 | 08S65670Y07 CAP,CER 105KX5R1H-CP |
| DISPLAY-P.W.Board | | C5634 | 08S65670Y01 CAP,CER 106KX5R1C-CP |
| DISPLAY-P.W.Board | | C6002 | 08S45232Y05 CAP,CER 102K-B1H -CP |
| DISPLAY-P.W.Board | | C6003 | 08S45232Y05 CAP,CER 102K-B1H -CP |
| DISPLAY-P.W.Board | | C6012 | 08S65669Y03 CAP,CER 224KX7R1H-CP |
| DISPLAY-P.W.Board | | C6013 | 08S45676W85 CAP,CER 104K-B1C -CP |
| DISPLAY-P.W.Board | | C6014 | 08S45676W85 CAP,CER 104K-B1C -CP |
| DISPLAY-P.W.Board | | C6015 | 08S45676W85 CAP,CER 104K-B1C -CP |
| DISPLAY-P.W.Board | | C6016 | 08S45676W85 CAP,CER 104K-B1C -CP |
| DISPLAY-P.W.Board | | C6017 | 08S45676W85 CAP,CER 104K-B1C -CP |
| DISPLAY-P.W.Board | | C6018 | 08S45676W85 CAP,CER 104K-B1C -CP |
| DISPLAY-P.W.Board | | C6019 | 08S65669Y03 CAP,CER 224KX7R1H-CP |
| DISPLAY-P.W.Board | | CB5001 | 09-10492Z02 FFC,501864-5090 -EZ |
| DISPLAY-P.W.Board | | CB5002 | 09-16224Z03 FFC,FH28-60S-0.5SHEZ |
| DISPLAY-P.W.Board | | CB5601 | 09-19783Z01 WTB,SM05B-SURS-TF-E5 |

NOTE:The part that has not PART NUMBER will not be supplied.

| MODEL | Symbol No. | Parts No. | Description |
|-------------------|------------|------------------------|----------------------------------|
| DISPLAY-P.W.Board | | CB6001 | 09-05352Z01 FFC,52271-0469 -E9 |
| DISPLAY-P.W.Board | | CB6002 | 09-17639Z01 FFC,FH28D-20S-0.5-E9 |
| DISPLAY-P.W.Board | | D5600 | 48T45107W01 DIO,SI -DAN217 -CP |
| DISPLAY-P.W.Board | | D6001 | 48-08988Z04 VST,EZJP0V080KA -CP |
| DISPLAY-P.W.Board | | D6002 | 48-08988Z04 VST,EZJP0V080KA -CP |
| DISPLAY-P.W.Board | | D6003 | 48-08988Z04 VST,EZJP0V080KA -CP |
| DISPLAY-P.W.Board | | D6004 | 48-08988Z04 VST,EZJP0V080KA -CP |
| DISPLAY-P.W.Board | | D6005 | 48-08988Z04 VST,EZJP0V080KA -CP |
| DISPLAY-P.W.Board | | D6006 | 48-08988Z04 VST,EZJP0V080KA -CP |
| DISPLAY-P.W.Board | | D6007 | 48-08988Z04 VST,EZJP0V080KA -CP |
| DISPLAY-P.W.Board | | D6008 | 48-08988Z04 VST,EZJP0V080KA -CP |
| DISPLAY-P.W.Board | | D6009 | 48-08988Z04 VST,EZJP0V080KA -CP |
| DISPLAY-P.W.Board | | E4500 | 23S65134W45 CAP,ELY 33R-1E(6)-E6 |
| DISPLAY-P.W.Board | | E5507 | 23S65134W45 CAP,ELY 33R-1E(6)-E6 |
| DISPLAY-P.W.Board | | E5508 | 23S65134W44 CAP,ELY 22R-1E(6)-E6 |
| DISPLAY-P.W.Board | | E5509 | 23S65134W45 CAP,ELY 33R-1E(6)-E6 |
| DISPLAY-P.W.Board | | E5600 | 23S65134W45 CAP,ELY 33R-1E(6)-E6 |
| DISPLAY-P.W.Board | | E5601 | 23S65134W44 CAP,ELY 22R-1E(6)-E6 |
| DISPLAY-P.W.Board | | IC4300 | 51-19085Z02 DS99R104TSQX -LE6 |
| DISPLAY-P.W.Board | | IC4301 | 51-01931Z01 TC7SZ04FU-TE85L -CP |
| DISPLAY-P.W.Board | | IC4500 | 51-04432Z01 BD15KA5FP-E2 -NE5 |
| DISPLAY-P.W.Board | | IC4502 | 51-21593Z01 UGZZC-B02A -NEL |
| DISPLAY-P.W.Board | | IC5504 | 51-05313Z01 BA4560RFV-E2 -SE2 |
| DISPLAY-P.W.Board | | IC5505 | 51T25259Y03 BA00ASFP-E2 -NE5 |
| DISPLAY-P.W.Board | | IC5600 | 51-14365Z01 LT1946AEMS8E -SE2 |
| DISPLAY-P.W.Board | | IC5601 | 51-17059Z01 MAX16814ATP/V+T -LE2 |
| DISPLAY-P.W.Board | | L4001 | 24T65645Y01 IND,LLM3225 4R7J -CP |
| DISPLAY-P.W.Board | | L4003 | 24T65645Y01 IND,LLM3225 4R7J -CP |
| DISPLAY-P.W.Board | | L4300 | 24-06212Z07 FBI,BLM15BD601SH1-CP |
| DISPLAY-P.W.Board | | L4301 | 24-06212Z07 FBI,BLM15BD601SH1-CP |
| DISPLAY-P.W.Board | | L4302 | 24-06212Z01 FBI,BLM15AG601SH1-CP |
| DISPLAY-P.W.Board | | L4501 | 24T95456W10 FBI,BLM18AG221SH1-CP |
| DISPLAY-P.W.Board | | L5600 | 24T95456W27 FBI,BLM18PG181SH1-CP |
| DISPLAY-P.W.Board | | L5601 | 24T45379Y04 IND,D53LC 4R7M -E2 |
| DISPLAY-P.W.Board | | L5602 | 24-05548Z08 IND,SLF7045-H10RM-E6 |
| DISPLAY-P.W.Board | | L5603 | 24-05548Z10 IND,SLF7045-H22RM-E6 |
| DISPLAY-P.W.Board | | L5604 | 24T95456W31 FBI,BLM18PG471SH1-CP |
| DISPLAY-P.W.Board | | L6500 | 24T95456W12 FBI,BLM18AG102SH1-CP |
| DISPLAY-P.W.Board | | L6501 | 24T95456W12 FBI,BLM18AG102SH1-CP |
| DISPLAY-P.W.Board | | L6502 | 24T95456W12 FBI,BLM18AG102SH1-CP |
| DISPLAY-P.W.Board | | L6503 | 24T95456W12 FBI,BLM18AG102SH1-CP |
| DISPLAY-P.W.Board | | Q5600 | 48T75205Y01 TR,FMC2A-T148 -CP |
| DISPLAY-P.W.Board | | Q5601 | 48T45388Y01 TR,2SA1797-T100 -E2 |
| DISPLAY-P.W.Board | | Q5602 | 48T94581F01 TR,2SA1576A-T106 -CP |
| DISPLAY-P.W.Board | | Q5603 | 48T94606F03 TR,DTC124EUA-T106-CP |
| DISPLAY-P.W.Board | | Q5604 | 48-02017Z01 FET,2SK2857-T1 -E2 |
| DISPLAY-P.W.Board | | Q5605 | 48T63417F03 TR,C2412K-BR-96 -CP |

NOTE:The part that has not PART NUMBER will not be supplied.

| MODEL | Symbol No. | Parts No. | Description |
|-------------------|------------|-----------------------|----------------------------------|
| DISPLAY-P.W.Board | | Q6001 | 48-12999Z05 TR,LTA143XUBFS8-TLCP |
| DISPLAY-P.W.Board | | Q6002 | 48T94606F67 TR,DTA123YUA-T106-CP |
| DISPLAY-P.W.Board | | Q6003 | 48-12999Z04 TR,LTA124EUBFS8-TLCP |
| DISPLAY-P.W.Board | | Q6004 | 48-13000Z06 TR,LTC143XUBFS8-TLCP |
| DISPLAY-P.W.Board | | Q6005 | 48T94606F17 TR,DTC123YUA-T106-CP |
| DISPLAY-P.W.Board | | Q6008 | 48-17876Z01 TR,BC848B -CP |
| DISPLAY-P.W.Board | | R4028 | 06S65415Y13 RES,RK 101F 1/16 -CP |
| DISPLAY-P.W.Board | | R4029 | 06S65415Y13 RES,RK 101F 1/16 -CP |
| DISPLAY-P.W.Board | | R4038 | 06S65415Y37 RES,RK 103F 1/16 -CP |
| DISPLAY-P.W.Board | | R4046 | 06S65415Y13 RES,RK 101F 1/16 -CP |
| DISPLAY-P.W.Board | | R4047 | 06S65415Y13 RES,RK 101F 1/16 -CP |
| DISPLAY-P.W.Board | | R4055 | 06S65415Y37 RES,RK 103F 1/16 -CP |
| DISPLAY-P.W.Board | | R4301 | 06S15615Y81 RES,RK 223J 1/16 -CP |
| DISPLAY-P.W.Board | | R4302 | 06S15615Y81 RES,RK 223J 1/16 -CP |
| DISPLAY-P.W.Board | | R4303 | 06S15615Y81 RES,RK 223J 1/16 -CP |
| DISPLAY-P.W.Board | | R4304 | 06S15615Y81 RES,RK 223J 1/16 -CP |
| DISPLAY-P.W.Board | | R4305 | 06S15615Y81 RES,RK 223J 1/16 -CP |
| DISPLAY-P.W.Board | | R4306 | 06S15615Y81 RES,RK 223J 1/16 -CP |
| DISPLAY-P.W.Board | | R4307 | 06S15616Y23 RES,RK JUMPER1/16-CP |
| DISPLAY-P.W.Board | | R4309 | 06S15615Y81 RES,RK 223J 1/16 -CP |
| DISPLAY-P.W.Board | | R4310 | 06S15615Y42 RES,RK 511J 1/16 -CP |
| DISPLAY-P.W.Board | | R4311 | 06S15615Y81 RES,RK 223J 1/16 -CP |
| DISPLAY-P.W.Board | | R4312 | 06S15615Y81 RES,RK 223J 1/16 -CP |
| DISPLAY-P.W.Board | | R4315 | 06S15615Y81 RES,RK 223J 1/16 -CP |
| DISPLAY-P.W.Board | | R4317 | 06S15615Y81 RES,RK 223J 1/16 -CP |
| DISPLAY-P.W.Board | | R4318 | 06S15615Y81 RES,RK 223J 1/16 -CP |
| DISPLAY-P.W.Board | | R4319 | 06S45675W43 RES,RK JUMPER1/10-CP |
| DISPLAY-P.W.Board | | R4320 | 06S45675W43 RES,RK JUMPER1/10-CP |
| DISPLAY-P.W.Board | | R4323 | 06S15615Y81 RES,RK 223J 1/16 -CP |
| DISPLAY-P.W.Board | | R4500 | 06S65415Y25 RES,RK 102F 1/16 -CP |
| DISPLAY-P.W.Board | | R4504 | 06S45675W43 RES,RK JUMPER1/10-CP |
| DISPLAY-P.W.Board | | R4505 | 06S45675W43 RES,RK JUMPER1/10-CP |
| DISPLAY-P.W.Board | | R4508 | 06S45674W39 RES,RK 181J 1/10 -CP |
| DISPLAY-P.W.Board | | R4513 | 06S15615Y81 RES,RK 223J 1/16 -CP |
| DISPLAY-P.W.Board | | R4516 | 06S15616Y23 RES,RK JUMPER1/16-CP |
| DISPLAY-P.W.Board | | R4517 | 06S15616Y23 RES,RK JUMPER1/16-CP |
| DISPLAY-P.W.Board | | R4523 | 06S15616Y23 RES,RK JUMPER1/16-CP |
| DISPLAY-P.W.Board | | R4524 | 06S15616Y23 RES,RK JUMPER1/16-CP |
| DISPLAY-P.W.Board | | R4528 | 06S65415Y13 RES,RK 101F 1/16 -CP |
| DISPLAY-P.W.Board | | R4551 | 06S45675W43 RES,RK JUMPER1/10-CP |
| DISPLAY-P.W.Board | | R4891 | 06S15616Y23 RES,RK JUMPER1/16-CP |
| DISPLAY-P.W.Board | | R5001 | 06S15616Y23 RES,RK JUMPER1/16-CP |
| DISPLAY-P.W.Board | | R5002 | 06S15616Y23 RES,RK JUMPER1/16-CP |
| DISPLAY-P.W.Board | | R5004 | 06S15616Y23 RES,RK JUMPER1/16-CP |
| DISPLAY-P.W.Board | | R5005 | 06S15616Y23 RES,RK JUMPER1/16-CP |
| DISPLAY-P.W.Board | | R5006 | 06S65415Y07 RES,RK 33RF 1/16 -CP |
| DISPLAY-P.W.Board | | R5007 | 06S65415Y13 RES,RK 101F 1/16 -CP |

NOTE:The part that has not PART NUMBER will not be supplied.

| MODEL | Symbol No. | Parts No. | Description |
|-------------------|------------|-----------------------|----------------------------------|
| DISPLAY-P.W.Board | | R5008 | 06S65415Y10 RES,RK 56RF 1/16 -CP |
| DISPLAY-P.W.Board | | R5009 | 06S65415Y19 RES,RK 331F 1/16 -CP |
| DISPLAY-P.W.Board | | R5010 | 06S65415Y16 RES,RK 181F 1/16 -CP |
| DISPLAY-P.W.Board | | R5011 | 06S65415Y13 RES,RK 101F 1/16 -CP |
| DISPLAY-P.W.Board | | R5012 | 06S65415Y11 RES,RK 68RF 1/16 -CP |
| DISPLAY-P.W.Board | | R5013 | 06S65415Y04 RES,RK 18RF 1/16 -CP |
| DISPLAY-P.W.Board | | R5014 | 06S65415Y02 RES,RK 12RF 1/16 -CP |
| DISPLAY-P.W.Board | | R5049 | 06S65415Y37 RES,RK 103F 1/16 -CP |
| DISPLAY-P.W.Board | | R5055 | 06S65415Y07 RES,RK 33RF 1/16 -CP |
| DISPLAY-P.W.Board | | R5056 | 06S15616Y23 RES,RK JUMPER1/16-CP |
| DISPLAY-P.W.Board | | R5057 | 06S65415Y13 RES,RK 101F 1/16 -CP |
| DISPLAY-P.W.Board | | R5058 | 06S65415Y21 RES,RK 471F 1/16 -CP |
| DISPLAY-P.W.Board | | R5059 | 06S15616Y23 RES,RK JUMPER1/16-CP |
| DISPLAY-P.W.Board | | R5060 | 06S65415Y13 RES,RK 101F 1/16 -CP |
| DISPLAY-P.W.Board | | R5061 | 06S65415Y07 RES,RK 33RF 1/16 -CP |
| DISPLAY-P.W.Board | | R5062 | 06S65415Y09 RES,RK 47RF 1/16 -CP |
| DISPLAY-P.W.Board | | R5063 | 06S65415Y09 RES,RK 47RF 1/16 -CP |
| DISPLAY-P.W.Board | | R5064 | 06S65415Y17 RES,RK 221F 1/16 -CP |
| DISPLAY-P.W.Board | | R5065 | 06S15616Y23 RES,RK JUMPER1/16-CP |
| DISPLAY-P.W.Board | | R5066 | 06S65415Y09 RES,RK 47RF 1/16 -CP |
| DISPLAY-P.W.Board | | R5067 | 06S65415Y09 RES,RK 47RF 1/16 -CP |
| DISPLAY-P.W.Board | | R5068 | 06S65415Y19 RES,RK 331F 1/16 -CP |
| DISPLAY-P.W.Board | | R5069 | 06S65415Y15 RES,RK 151F 1/16 -CP |
| DISPLAY-P.W.Board | | R5070 | 06S65415Y13 RES,RK 101F 1/16 -CP |
| DISPLAY-P.W.Board | | R5071 | 06S65415Y05 RES,RK 22RF 1/16 -CP |
| DISPLAY-P.W.Board | | R5072 | 06S65415Y17 RES,RK 221F 1/16 -CP |
| DISPLAY-P.W.Board | | R5073 | 06S65415Y07 RES,RK 33RF 1/16 -CP |
| DISPLAY-P.W.Board | | R5074 | 06S65415Y13 RES,RK 101F 1/16 -CP |
| DISPLAY-P.W.Board | | R5075 | 06S65415Y05 RES,RK 22RF 1/16 -CP |
| DISPLAY-P.W.Board | | R5547 | 06S65415Y39 RES,RK 153F 1/16 -CP |
| DISPLAY-P.W.Board | | R5548 | 06S65415Y31 RES,RK 332F 1/16 -CP |
| DISPLAY-P.W.Board | | R5549 | 06S65415Y38 RES,RK 123F 1/16 -CP |
| DISPLAY-P.W.Board | | R5550 | 06S15615Y82 RES,RK 243J 1/16 -CP |
| DISPLAY-P.W.Board | | R5551 | 06S65415Y25 RES,RK 102F 1/16 -CP |
| DISPLAY-P.W.Board | | R5553 | 06S15615Y78 RES,RK 163J 1/16 -CP |
| DISPLAY-P.W.Board | | R5554 | 06S15593Y52 RES,RK 132F 1/10 -CP |
| DISPLAY-P.W.Board | | R5555 | 06S65415Y38 RES,RK 123F 1/16 -CP |
| DISPLAY-P.W.Board | | R5556 | 06S65415Y25 RES,RK 102F 1/16 -CP |
| DISPLAY-P.W.Board | | R5557 | 06S65415Y28 RES,RK 182F 1/16 -CP |
| DISPLAY-P.W.Board | | R5558 | 06S15593Y57 RES,RK 222F 1/10 -CP |
| DISPLAY-P.W.Board | | R5559 | 06S15593Y57 RES,RK 222F 1/10 -CP |
| DISPLAY-P.W.Board | | R5600 | 06S15615Y81 RES,RK 223J 1/16 -CP |
| DISPLAY-P.W.Board | | R5601 | 06S15615Y82 RES,RK 243J 1/16 -CP |
| DISPLAY-P.W.Board | | R5602 | 06S15615Y71 RES,RK 822J 1/16 -CP |
| DISPLAY-P.W.Board | | R5603 | 06S15615Y82 RES,RK 243J 1/16 -CP |
| DISPLAY-P.W.Board | | R5604 | 06S15593Y94 RES,RK 753F 1/10 -CP |
| DISPLAY-P.W.Board | | R5605 | 06S15593Y89 RES,RK 473F 1/10 -CP |

NOTE:The part that has not PART NUMBER will not be supplied.

| MODEL | Symbol No. | Parts No. | Description |
|-------------------|------------|-----------------------|----------------------------------|
| DISPLAY-P.W.Board | | R5606 | 06S15593Y89 RES,RK 473F 1/10 -CP |
| DISPLAY-P.W.Board | | R5607 | 06S35083Y13 RES,RK 101F 1/4 -CP |
| DISPLAY-P.W.Board | | R5608 | 06S65415Y37 RES,RK 103F 1/16 -CP |
| DISPLAY-P.W.Board | | R5609 | 06S15593Y69 RES,RK 682F 1/10 -CP |
| DISPLAY-P.W.Board | | R5610 | 06S15593Y98 RES,RK 114F 1/10 -CP |
| DISPLAY-P.W.Board | | R5611 | 06S65415Y48 RES,RK 823F 1/16 -CP |
| DISPLAY-P.W.Board | | R5612 | 06S70072F65 RES,CP .332-J-1/4-CP |
| DISPLAY-P.W.Board | | R5613 | 06S65415Y46 RES,RK 563F 1/16 -CP |
| DISPLAY-P.W.Board | | R5614 | 06S35095Y08 RES,RK JUMPER 1/4-CP |
| DISPLAY-P.W.Board | | R5616 | 06S15616Y23 RES,RK JUMPER1/16-CP |
| DISPLAY-P.W.Board | | R5617 | 06S65415Y37 RES,RK 103F 1/16 -CP |
| DISPLAY-P.W.Board | | R5618 | 06S15616Y23 RES,RK JUMPER1/16-CP |
| DISPLAY-P.W.Board | | R5619 | 06S15616Y23 RES,RK JUMPER1/16-CP |
| DISPLAY-P.W.Board | | R5620 | 06S15593Y57 RES,RK 222F 1/10 -CP |
| DISPLAY-P.W.Board | | R5621 | 06S65522Y03 RES,RK R15F 1/4 -CP |
| DISPLAY-P.W.Board | | R5622 | 06S65415Y28 RES,RK 182F 1/16 -CP |
| DISPLAY-P.W.Board | | R5623 | 06S45674W05 RES,RK 4R7J 1/10 -CP |
| DISPLAY-P.W.Board | | R5624 | 06S65415Y32 RES,RK 392F 1/16 -CP |
| DISPLAY-P.W.Board | | R5625 | 06S15593Y90 RES,RK 513F 1/10 -CP |
| DISPLAY-P.W.Board | | R5626 | 06S65415Y19 RES,RK 331F 1/16 -CP |
| DISPLAY-P.W.Board | | R5627 | 06S65415Y39 RES,RK 153F 1/16 -CP |
| DISPLAY-P.W.Board | | R5628 | 06S15594Y20 RES,RK 824F 1/10 -CP |
| DISPLAY-P.W.Board | | R5629 | 06S65415Y55 RES,RK 334F 1/16 -CP |
| DISPLAY-P.W.Board | | R5630 | 06S65415Y41 RES,RK 223F 1/16 -CP |
| DISPLAY-P.W.Board | | R5631 | 06S65415Y41 RES,RK 223F 1/16 -CP |
| DISPLAY-P.W.Board | | R5632 | 06S65415Y37 RES,RK 103F 1/16 -CP |
| DISPLAY-P.W.Board | | R5636 | 06S15615Y81 RES,RK 223J 1/16 -CP |
| DISPLAY-P.W.Board | | R5639 | 06S15594Y10 RES,RK 334F 1/10 -CP |
| DISPLAY-P.W.Board | | R5640 | 06S15615Y97 RES,RK 104J 1/16 -CP |
| DISPLAY-P.W.Board | | R5641 | 06S70072F65 RES,CP .332-J-1/4-CP |
| DISPLAY-P.W.Board | | R5642 | 06S15593Y89 RES,RK 473F 1/10 -CP |
| DISPLAY-P.W.Board | | R5661 | 06S45675W43 RES,RK JUMPER1/10-CP |
| DISPLAY-P.W.Board | | R5664 | 06S70072F21 RES,CP .47R-J-1/4-CP |
| DISPLAY-P.W.Board | | R5665 | 06S70072F21 RES,CP .47R-J-1/4-CP |
| DISPLAY-P.W.Board | | R5666 | 06S15616Y23 RES,RK JUMPER1/16-CP |
| DISPLAY-P.W.Board | | R6001 | 06S65415Y13 RES,RK 101F 1/16 -CP |
| DISPLAY-P.W.Board | | R6002 | 06S65415Y13 RES,RK 101F 1/16 -CP |
| DISPLAY-P.W.Board | | R6003 | 06S35083Y29 RES,RK 222F 1/4 -CP |
| DISPLAY-P.W.Board | | R6004 | 06S35083Y29 RES,RK 222F 1/4 -CP |
| DISPLAY-P.W.Board | | R6005 | 06S35083Y08 RES,RK 39RF 1/4 -CP |
| DISPLAY-P.W.Board | | R6006 | 06S35083Y49 RES,RK 104F 1/4 -CP |
| DISPLAY-P.W.Board | | R6007 | 06S35083Y49 RES,RK 104F 1/4 -CP |
| DISPLAY-P.W.Board | | R6008 | 06S35083Y01 RES,RK 10RF 1/4 -CP |
| DISPLAY-P.W.Board | | R6009 | 06S15593Y40 RES,RK 431F 1/10 -CP |
| DISPLAY-P.W.Board | | R6011 | 06S15593Y37 RES,RK 331F 1/10 -CP |
| DISPLAY-P.W.Board | | R6013 | 06S15593Y43 RES,RK 561F 1/10 -CP |
| DISPLAY-P.W.Board | | R6015 | 06S15593Y43 RES,RK 561F 1/10 -CP |

NOTE:The part that has not PART NUMBER will not be supplied.

| MODEL | Symbol No. | Parts No. | Description |
|--------------------|------------|-------------------------|----------------------------------|
| DISPLAY-P.W.Board | | R6017 | 06S15593Y46 RES,RK 751F 1/10 -CP |
| DISPLAY-P.W.Board | | R6019 | 06S15593Y45 RES,RK 681F 1/10 -CP |
| DISPLAY-P.W.Board | | R6021 | 06S35083Y13 RES,RK 101F 1/4 -CP |
| DISPLAY-P.W.Board | | R6022 | 06S35083Y13 RES,RK 101F 1/4 -CP |
| DISPLAY-P.W.Board | | R6023 | 06S35083Y84 RES,RK 51RF 1/4 -CP |
| DISPLAY-P.W.Board | | R6024 | 06S35083Y13 RES,RK 101F 1/4 -CP |
| DISPLAY-P.W.Board | | R6025 | 06S35083Y13 RES,RK 101F 1/4 -CP |
| DISPLAY-P.W.Board | | R6026 | 06S15593Y57 RES,RK 222F 1/10 -CP |
| DISPLAY-P.W.Board | | R6027 | 06S15615Y65 RES,RK 472J 1/16 -CP |
| DISPLAY-P.W.Board | | R6028 | 06S35083Y13 RES,RK 101F 1/4 -CP |
| DISPLAY-P.W.Board | | R6500 | 06S35095Y08 RES,RK JUMPER 1/4-CP |
| DISPLAY-P.W.Board | | R6501 | 06S35095Y08 RES,RK JUMPER 1/4-CP |
| DISPLAY-P.W.Board | | R6502 | 06S35095Y08 RES,RK JUMPER 1/4-CP |
| DISPLAY-P.W.Board | | R6503 | 06S35095Y08 RES,RK JUMPER 1/4-CP |
| DISPLAY-P.W.Board | | RA4000 | 06S15771Y13 RES,ARYEXB28V101J-CP |
| DISPLAY-P.W.Board | | RA4008 | 06S15771Y13 RES,ARYEXB28V101J-CP |
| DISPLAY-P.W.Board | | RA4009 | 06S15771Y13 RES,ARYEXB28V101J-CP |
| DISPLAY-P.W.Board | | RA4300 | 06S15771Y05 RES,ARYEXB28V22RJ-CP |
| DISPLAY-P.W.Board | | RA4301 | 06S15771Y05 RES,ARYEXB28V22RJ-CP |
| DISPLAY-P.W.Board | | RA4302 | 06S15771Y05 RES,ARYEXB28V22RJ-CP |
| DISPLAY-P.W.Board | | RA4303 | 06S15771Y05 RES,ARYEXB28V22RJ-CP |
| DISPLAY-P.W.Board | | RA4304 | 06S15771Y05 RES,ARYEXB28V22RJ-CP |
| DISPLAY-P.W.Board | | RA4305 | 06S15771Y05 RES,ARYEXB28V22RJ-CP |
| DISPLAY-P.W.Board | | RA4307 | 06S15771Y41 RES,ARYEXB28V223J-CP |
| DISPLAY-P.W.Board | | RA4308 | 06S15771Y41 RES,ARYEXB28V223J-CP |
| DISPLAY-P.W.Board | | RA4309 | 06S15771Y41 RES,ARYEXB28V223J-CP |
| DISPLAY-P.W.Board | | RA4310 | 06S15771Y41 RES,ARYEXB28V223J-CP |
| DISPLAY-P.W.Board | | RA4500 | 06S15771Y05 RES,ARYEXB28V22RJ-CP |
| DISPLAY-P.W.Board | | SD5600 | 48T45286Y01 DIO,SHT RB050L-40-E1 |
| DISPLAY-P.W.Board | | SD5601 | 48-17988Z01 DIO,SHT RB060M-60-CP |
| DISPLAY-P.W.Board | | TH5501 | 48T75219Y02 TMT,NCPI8WB473F1S-CP |
| DISPLAY-P.W.Board | | TML4002 | 29-16141Z01 OG-453070 -E5 |
| DISPLAY-P.W.Board | | TML4003 | 29T45687Y01 CONTACT,OG363050 -E5 |
| DISPLAY-P.W.Board | | TML4004 | 29-16141Z01 OG-453070 -E5 |
| DISPLAY-P.W.Board | | TML4005 | 29T45687Y01 CONTACT,OG363050 -E5 |
| DISPLAY-P.W.Board | | TML4006 | 29-16141Z01 OG-453070 -E5 |
| DISPLAY-P.W.Board | | TML4007 | 29T45687Y01 CONTACT,OG363050 -E5 |
| DISPLAY-P.W.Board | | TML4008 | 29T45687Y01 CONTACT,OG363050 -E5 |
| DISPLAY-P.W.Board | | TML4009 | 29T45687Y01 CONTACT,OG363050 -E5 |
| DISPLAY-P.W.Board | | TML4010 | 29T45687Y01 CONTACT,OG363050 -E5 |
| DISPLAY-P.W.Board | | Z4301 | 91T75196Y17 EMI,BK1005HM471 -CP |
| DISPLAY-P.W.Board | | Z5600 | 91T75197Y01 EMI,ACM4532-801 -E2 |
| DISPLAY-P.W.Board | | ZD5600 | 48-06525Z18 DIO,ZEN UDZS 11B -CP |
| HD.RADIO-P.W.Board | | C3850 | 08S45231Y05 CAP,CER 2R0C-CK1H-CP |
| HD.RADIO-P.W.Board | | C3851 | 08S45677W04 CAP,CER.2R0C-CH1H-CP |
| HD.RADIO-P.W.Board | | C3852 | 08S45676W93 CAP,CER 224K-B1A -CP |
| HD.RADIO-P.W.Board | | C3853 | 08S45676W93 CAP,CER 224K-B1A -CP |

NOTE:The part that has not PART NUMBER will not be supplied.

| MODEL | Symbol No. | Parts No. | Description |
|--------------------|------------|-----------------------|----------------------------------|
| HD.RADIO-P.W.Board | | C3854 | 08S45676W93 CAP,CER 224K-B1A -CP |
| HD.RADIO-P.W.Board | | C3855 | 08S45676W93 CAP,CER 224K-B1A -CP |
| HD.RADIO-P.W.Board | | C3856 | 08S45676W93 CAP,CER 224K-B1A -CP |
| HD.RADIO-P.W.Board | | C3857 | 08S65668Y05 CAP,CER 224KX5R1A-CP |
| HD.RADIO-P.W.Board | | C3858 | 08S65668Y05 CAP,CER 224KX5R1A-CP |
| HD.RADIO-P.W.Board | | C3859 | 08S45676W93 CAP,CER 224K-B1A -CP |
| HD.RADIO-P.W.Board | | C3860 | 08S45232Y21 CAP,CER 104K-B1A-CP |
| HD.RADIO-P.W.Board | | C3861 | 08S45232Y21 CAP,CER 104K-B1A-CP |
| HD.RADIO-P.W.Board | | C3862 | 08S45232Y21 CAP,CER 104K-B1A-CP |
| HD.RADIO-P.W.Board | | C3863 | 08S45232Y21 CAP,CER 104K-B1A-CP |
| HD.RADIO-P.W.Board | | C3864 | 08S45232Y21 CAP,CER 104K-B1A-CP |
| HD.RADIO-P.W.Board | | C3865 | 08S45232Y21 CAP,CER 104K-B1A-CP |
| HD.RADIO-P.W.Board | | C3866 | 08S45232Y21 CAP,CER 104K-B1A-CP |
| HD.RADIO-P.W.Board | | C3867 | 08S45232Y21 CAP,CER 104K-B1A-CP |
| HD.RADIO-P.W.Board | | C3868 | 08S45232Y21 CAP,CER 104K-B1A-CP |
| HD.RADIO-P.W.Board | | C3869 | 08S45232Y21 CAP,CER 104K-B1A-CP |
| HD.RADIO-P.W.Board | | C3870 | 08S45232Y21 CAP,CER 104K-B1A-CP |
| HD.RADIO-P.W.Board | | C3871 | 08S45232Y21 CAP,CER 104K-B1A-CP |
| HD.RADIO-P.W.Board | | C3872 | 08S45232Y21 CAP,CER 104K-B1A-CP |
| HD.RADIO-P.W.Board | | C3873 | 08S45232Y21 CAP,CER 104K-B1A-CP |
| HD.RADIO-P.W.Board | | C3874 | 08S45232Y21 CAP,CER 104K-B1A-CP |
| HD.RADIO-P.W.Board | | C3875 | 08S45232Y21 CAP,CER 104K-B1A-CP |
| HD.RADIO-P.W.Board | | C3876 | 08S45232Y21 CAP,CER 104K-B1A-CP |
| HD.RADIO-P.W.Board | | C3877 | 08S45232Y21 CAP,CER 104K-B1A-CP |
| HD.RADIO-P.W.Board | | C3878 | 08S45232Y21 CAP,CER 104K-B1A-CP |
| HD.RADIO-P.W.Board | | C3879 | 08S45232Y21 CAP,CER 104K-B1A-CP |
| HD.RADIO-P.W.Board | | C3880 | 08S45232Y21 CAP,CER 104K-B1A-CP |
| HD.RADIO-P.W.Board | | C3881 | 08S45232Y21 CAP,CER 104K-B1A-CP |
| HD.RADIO-P.W.Board | | C3882 | 08S45232Y21 CAP,CER 104K-B1A-CP |
| HD.RADIO-P.W.Board | | C3883 | 08S45232Y21 CAP,CER 104K-B1A-CP |
| HD.RADIO-P.W.Board | | C3884 | 08S45232Y21 CAP,CER 104K-B1A-CP |
| HD.RADIO-P.W.Board | | C3885 | 08S45232Y21 CAP,CER 104K-B1A-CP |
| HD.RADIO-P.W.Board | | C3886 | 08S45232Y21 CAP,CER 104K-B1A-CP |
| HD.RADIO-P.W.Board | | C3887 | 08S45232Y21 CAP,CER 104K-B1A-CP |
| HD.RADIO-P.W.Board | | C3888 | 08S45232Y21 CAP,CER 104K-B1A-CP |
| HD.RADIO-P.W.Board | | C3889 | 08S65667Y05 CAP,CER 105KX5R1A-CP |
| HD.RADIO-P.W.Board | | C3890 | 08S45232Y21 CAP,CER 104K-B1A-CP |
| HD.RADIO-P.W.Board | | C3891 | 08S65667Y05 CAP,CER 105KX5R1A-CP |
| HD.RADIO-P.W.Board | | C3892 | 08S45232Y21 CAP,CER 104K-B1A-CP |
| HD.RADIO-P.W.Board | | C3893 | 08S35374W12 CAP,CER 106K-B0J -CP |
| HD.RADIO-P.W.Board | | C3894 | 08S45676W93 CAP,CER 224K-B1A -CP |
| HD.RADIO-P.W.Board | | C3895 | 08S35374W12 CAP,CER 106K-B0J -CP |
| HD.RADIO-P.W.Board | | C3896 | 08S45676W93 CAP,CER 224K-B1A -CP |
| HD.RADIO-P.W.Board | | C3897 | 08S35374W12 CAP,CER 106K-B0J -CP |
| HD.RADIO-P.W.Board | | C3898 | 08S45676W93 CAP,CER 224K-B1A -CP |
| HD.RADIO-P.W.Board | | C3899 | 08S35374W12 CAP,CER 106K-B0J -CP |
| HD.RADIO-P.W.Board | | C3900 | 06S45674W53 RES,RK 681J 1/10 -CP |



NOTE:The part that has not PART NUMBER will not be supplied.

| MODEL | Symbol No. | Parts No. | Description |
|--------------------|------------|------------------------|----------------------------------|
| HD.RADIO-P.W.Board | | C3901 | 08S35374W12 CAP,CER 106K-B0J -CP |
| HD.RADIO-P.W.Board | | C3902 | 08S45676W93 CAP,CER 224K-B1A -CP |
| HD.RADIO-P.W.Board | | C3903 | 08S35374W12 CAP,CER 106K-B0J -CP |
| HD.RADIO-P.W.Board | | C3904 | 08S45676W93 CAP,CER 224K-B1A -CP |
| HD.RADIO-P.W.Board | | C3905 | 08S45232Y21 CAP,CER 104K-B1A-CP |
| HD.RADIO-P.W.Board | | C3906 | 08S65676Y08 CAP,CER 106K-X7R1ACP |
| HD.RADIO-P.W.Board | | C3907 | 08S65676Y02 CAP,CER 475KX7R1A-CP |
| HD.RADIO-P.W.Board | | C3908 | 08S35374W12 CAP,CER 106K-B0J -CP |
| HD.RADIO-P.W.Board | | C3909 | 08S45232Y21 CAP,CER 104K-B1A-CP |
| HD.RADIO-P.W.Board | | C3910 | 08S45232Y21 CAP,CER 104K-B1A-CP |
| HD.RADIO-P.W.Board | | C3911 | 08S35374W12 CAP,CER 106K-B0J -CP |
| HD.RADIO-P.W.Board | | C3912 | 08S45231Y38 CAP,CER 102J-CH1E-CP |
| HD.RADIO-P.W.Board | | CB3850 | 09-19687Z01 PIN,IMSA9210B-20Z-DB |
| HD.RADIO-P.W.Board | | E3850 | 23-09405Z06 CAP,CX 391-0D -E2 |
| HD.RADIO-P.W.Board | | E3851 | 23-09405Z12 CAP,CX 151-0J -E2 |
| HD.RADIO-P.W.Board | | E3852 | 23-09405Z12 CAP,CX 151-0J -E2 |
| HD.RADIO-P.W.Board | | IC3850 | 51-04432Z03 BD12KA5FP-E2 -NE5 |
| HD.RADIO-P.W.Board | | IC3851 | 51-17563Z02 SAF3560HV/V1100 -QT |
| HD.RADIO-P.W.Board | | IC3852 | 83-22687Z65 V5.001G500MHDRADIO |
| HD.RADIO-P.W.Board | | IC3853 | 51-13063Z01 MT48LC4M16A2P7EIT-ST |
| HD.RADIO-P.W.Board | | L3850 | 24T95456W11 FBI,BLM18AG601SH1-CP |
| HD.RADIO-P.W.Board | | L3851 | 24T95456W31 FBI,BLM18PG471SH1-CP |
| HD.RADIO-P.W.Board | | L3852 | 24T95456W01 FBI,BLM18PG300SH1-CP |
| HD.RADIO-P.W.Board | | L3853 | 24T95456W01 FBI,BLM18PG300SH1-CP |
| HD.RADIO-P.W.Board | | L3854 | 24T95456W01 FBI,BLM18PG300SH1-CP |
| HD.RADIO-P.W.Board | | L3855 | 24T95456W31 FBI,BLM18PG471SH1-CP |
| HD.RADIO-P.W.Board | | R3850 | 06S15616Y23 RES,RK JUMPER1/16-CP |
| HD.RADIO-P.W.Board | | R3851 | 06S15616Y23 RES,RK JUMPER1/16-CP |
| HD.RADIO-P.W.Board | | R3854 | 06S15616Y23 RES,RK JUMPER1/16-CP |
| HD.RADIO-P.W.Board | | R3855 | 06S15616Y23 RES,RK JUMPER1/16-CP |
| HD.RADIO-P.W.Board | | R3856 | 06S15616Y23 RES,RK JUMPER1/16-CP |
| HD.RADIO-P.W.Board | | R3857 | 06S15616Y23 RES,RK JUMPER1/16-CP |
| HD.RADIO-P.W.Board | | R3858 | 06S15616Y23 RES,RK JUMPER1/16-CP |
| HD.RADIO-P.W.Board | | R3860 | 06S15616Y23 RES,RK JUMPER1/16-CP |
| HD.RADIO-P.W.Board | | R3861 | 06S15616Y23 RES,RK JUMPER1/16-CP |
| HD.RADIO-P.W.Board | | R3862 | 06S15616Y23 RES,RK JUMPER1/16-CP |
| HD.RADIO-P.W.Board | | R3863 | 06S45675W43 RES,RK JUMPER1/10-CP |
| HD.RADIO-P.W.Board | | R3864 | 06S45675W43 RES,RK JUMPER1/10-CP |
| HD.RADIO-P.W.Board | | R3865 | 06S15616Y23 RES,RK JUMPER1/16-CP |
| HD.RADIO-P.W.Board | | R3866 | 06S15616Y23 RES,RK JUMPER1/16-CP |
| HD.RADIO-P.W.Board | | R3867 | 06S15616Y23 RES,RK JUMPER1/16-CP |
| HD.RADIO-P.W.Board | | R3868 | 06S65415Y37 RES,RK 103F 1/16 -CP |
| HD.RADIO-P.W.Board | | R3869 | 06S65415Y37 RES,RK 103F 1/16 -CP |
| HD.RADIO-P.W.Board | | R3870 | 06S15616Y23 RES,RK JUMPER1/16-CP |
| HD.RADIO-P.W.Board | | R3871 | 06S15616Y23 RES,RK JUMPER1/16-CP |
| HD.RADIO-P.W.Board | | R3872 | 06S65415Y37 RES,RK 103F 1/16 -CP |
| HD.RADIO-P.W.Board | | R3873 | 06S65415Y37 RES,RK 103F 1/16 -CP |

NOTE:The part that has not PART NUMBER will not be supplied.

| MODEL | Symbol No. | Parts No. | Description |
|--------------------|---|------------------------|----------------------------------|
| HD.RADIO-P.W.Board | | R3874 | 06S15616Y23 RES,RK JUMPER1/16-CP |
| HD.RADIO-P.W.Board | | R3875 | 06S15616Y23 RES,RK JUMPER1/16-CP |
| HD.RADIO-P.W.Board | | R3876 | 06S65415Y31 RES,RK 332F 1/16 -CP |
| HD.RADIO-P.W.Board | | R3877 | 06S65415Y31 RES,RK 332F 1/16 -CP |
| HD.RADIO-P.W.Board | | R3878 | 06S15616Y23 RES,RK JUMPER1/16-CP |
| HD.RADIO-P.W.Board | | R3879 | 06S15616Y23 RES,RK JUMPER1/16-CP |
| HD.RADIO-P.W.Board | | R3880 | 06S15616Y23 RES,RK JUMPER1/16-CP |
| HD.RADIO-P.W.Board | | R3881 | 06S45675W43 RES,RK JUMPER1/10-CP |
| HD.RADIO-P.W.Board | | R3882 | 06S65415Y09 RES,RK 47RF 1/16 -CP |
| HD.RADIO-P.W.Board | | R3883 | 06S15616Y23 RES,RK JUMPER1/16-CP |
| HD.RADIO-P.W.Board | | R3884 | 06S65415Y09 RES,RK 47RF 1/16 -CP |
| HD.RADIO-P.W.Board | | R3885 | 06S15616Y23 RES,RK JUMPER1/16-CP |
| HD.RADIO-P.W.Board | | R3886 | 06S15616Y23 RES,RK JUMPER1/16-CP |
| HD.RADIO-P.W.Board | | R3887 | 06S15616Y23 RES,RK JUMPER1/16-CP |
| HD.RADIO-P.W.Board | | RA3850 | 06S15771Y62 RES,ARYEXB28VR000-CP |
| HD.RADIO-P.W.Board | | RA3851 | 06S15771Y62 RES,ARYEXB28VR000-CP |
| HD.RADIO-P.W.Board | | RA3852 | 06S15771Y62 RES,ARYEXB28VR000-CP |
| HD.RADIO-P.W.Board | | RA3853 | 06S15771Y62 RES,ARYEXB28VR000-CP |
| HD.RADIO-P.W.Board | | RA3854 | 06S15771Y62 RES,ARYEXB28VR000-CP |
| HD.RADIO-P.W.Board | | RA3855 | 06S15771Y62 RES,ARYEXB28VR000-CP |
| HD.RADIO-P.W.Board | | RA3856 | 06S15771Y62 RES,ARYEXB28VR000-CP |
| HD.RADIO-P.W.Board | | RA3857 | 06S15771Y62 RES,ARYEXB28VR000-CP |
| HD.RADIO-P.W.Board | | RA3858 | 06S15771Y62 RES,ARYEXB28VR000-CP |
| HD.RADIO-P.W.Board | | XL3850 | 91-17642Z15 XTL,NX3225SA 28.2-CP |
| ESC-P.W.Board | | C1001 | 08S45677W42 CAP,CER.181J-CH1H-CP |
| ESC-P.W.Board | | C1002 | 08S65669Y03 CAP,CER 224KX7R1H-CP |
| ESC-P.W.Board | | CB1001 | 09-19907Z01 BTB,IMSA9984B-140YEZ |
| ESC-P.W.Board | | CB1002 | 09-19907Z01 BTB,IMSA9984B-140YEZ |
| ESC-P.W.Board | | LD1001 | 48-17569Z02 LED,BLU SMLA12BC7TCP |
| ESC-P.W.Board | | Q1001 | 48-13000Z04 TR,LTC123JUBFS8-TLCP |
| ESC-P.W.Board | | R1001 | 06S45674W57 RES,RK 102J 1/10 -CP |
| ESC-P.W.Board | | ZD1001 | 48-06525Z07 DIO,ZEN UDZS 3.9B-CP |
| SD-P.W.Board | | CB8000 | 09-17026Z10 WTB,502382-1170 -ED |
| SD-P.W.Board | | R8001 | 06S15616Y23 RES,RK JUMPER1/16-CP |
| SD-P.W.Board | | R8002 | 06S15616Y23 RES,RK JUMPER1/16-CP |
| SD-P.W.Board | | R8003 | 06S15616Y23 RES,RK JUMPER1/16-CP |
| SD-P.W.Board | | R8004 | 06S15616Y23 RES,RK JUMPER1/16-CP |
| SD-P.W.Board | | R8005 | 06S15616Y23 RES,RK JUMPER1/16-CP |
| SD-P.W.Board | | R8006 | 06S15616Y23 RES,RK JUMPER1/16-CP |
| SD-P.W.Board | | R8007 | 06S15616Y23 RES,RK JUMPER1/16-CP |
| SD-P.W.Board | | R8008 | 06S15616Y23 RES,RK JUMPER1/16-CP |
| SD-P.W.Board | | R8009 | 06S15616Y23 RES,RK JUMPER1/16-CP |
| SD-P.W.Board |  | SK8000 | 09-13656Z02 CONN,IMSA9432S-09-EZ |
| KEY-P.W.Board | | C4700 | 08S45676W85 CAP,CER 104K-B1C -CP |
| KEY-P.W.Board | | C4701 | 08S35349Y17 CAP,CER 225K-B0J -CP |
| KEY-P.W.Board | | C4702 | 08S35349Y12 CAP,CER 105K-B0J -CP |
| KEY-P.W.Board | | C4711 | 08S45231Y28 CAP,CER 181J-CH1H-CP |

NOTE:The part that has not PART NUMBER will not be supplied.

| MODEL | Symbol No. | Parts No. | Description |
|---------------|---|------------------------|-----------------------------------|
| KEY-P.W.Board | | C4712 | 08S45231Y28 CAP,CER 181J-CH1H-CP |
| KEY-P.W.Board | | C4713 | 08S45231Y28 CAP,CER 181J-CH1H-CP |
| KEY-P.W.Board | | C4714 | 08S45231Y28 CAP,CER 181J-CH1H-CP |
| KEY-P.W.Board | | C4715 | 06S15616Y23 RES,RK JUMPER1/16-CP |
| KEY-P.W.Board | | C4716 | 08S45231Y28 CAP,CER 181J-CH1H-CP |
| KEY-P.W.Board | | C4717 | 08S45231Y28 CAP,CER 181J-CH1H-CP |
| KEY-P.W.Board | | C4718 | 08S45231Y28 CAP,CER 181J-CH1H-CP |
| KEY-P.W.Board | | C4719 | 08S45231Y28 CAP,CER 181J-CH1H-CP |
| KEY-P.W.Board | | IC4700 | 51-20270Z01 PNJ4K01F -CP |
| KEY-P.W.Board | | IC4701 | 51-11988Z01 RPMS1381-H19-E4A-NE5 |
| KEY-P.W.Board | | LD4711 | 48-11867Z01 LED,WHT SMLE12WBC7CP |
| KEY-P.W.Board | | LD4712 | 48-11867Z01 LED,WHT SMLE12WBC7CP |
| KEY-P.W.Board | | LD4713 | 48-11867Z01 LED,WHT SMLE12WBC7CP |
| KEY-P.W.Board | | LD4714 | 48-11867Z01 LED,WHT SMLE12WBC7CP |
| KEY-P.W.Board | | LD4716 | 48-11867Z01 LED,WHT SMLE12WBC7CP |
| KEY-P.W.Board | | LD4717 | 48-11867Z01 LED,WHT SMLE12WBC7CP |
| KEY-P.W.Board | | LD4718 | 48-11867Z01 LED,WHT SMLE12WBC7CP |
| KEY-P.W.Board | | LD4719 | 48-11867Z01 LED,WHT SMLE12WBC7CP |
| KEY-P.W.Board | | R4702 | 06S15615Y49 RES,RK 102J 1/16 -CP |
| KEY-P.W.Board | | R4704 | 06S65415Y32 RES,RK 392F 1/16 -CP |
| KEY-P.W.Board | | R4707 | 06S45674W25 RES,RK 47RJ 1/10 -CP |
| KEY-P.W.Board | | R4709 | 06S65415Y32 RES,RK 392F 1/16 -CP |
| KEY-P.W.Board | | R4710 | 06S65415Y61 RES,RK 105F 1/16 -CP |
| KEY-P.W.Board | | R4712 | 06S65415Y30 RES,RK 272F 1/16 -CP |
| KEY-P.W.Board | | R4715 | 06S65415Y36 RES,RK 822F 1/16 -CP |
| KEY-P.W.Board | | R4716 | 06S65415Y36 RES,RK 822F 1/16 -CP |
| KEY-P.W.Board | | R4725 | 06S65415Y30 RES,RK 272F 1/16 -CP |
| KEY-P.W.Board | | R4726 | 06S15615Y81 RES,RK 223J 1/16 -CP |
| KEY-P.W.Board | | R4727 | 06S65415Y42 RES,RK 273F 1/16 -CP |
| KEY-P.W.Board | | SW4701 | 40T65353Y01 SW,TACT SKRSPACE010E2 |
| KEY-P.W.Board | | SW4702 | 40T65353Y01 SW,TACT SKRSPACE010E2 |
| KEY-P.W.Board | | SW4703 | 40T65353Y01 SW,TACT SKRSPACE010E2 |
| KEY-P.W.Board | | SW4704 | 40T65353Y01 SW,TACT SKRSPACE010E2 |
| KEY-P.W.Board | | SW4706 | 40T65353Y01 SW,TACT SKRSPACE010E2 |
| KEY-P.W.Board | | SW4707 | 40T65353Y01 SW,TACT SKRSPACE010E2 |
| KEY-P.W.Board | | SW4708 | 40T65353Y01 SW,TACT SKRSPACE010E2 |
| KEY-P.W.Board | | SW4709 | 40T65353Y01 SW,TACT SKRSPACE010E2 |
| KEY-P.W.Board |  | SW4710 | 40T65353Y01 SW,TACT SKRSPACE010E2 |
| KEY-P.W.Board | | ZD4711 | 48-06525Z07 DIO,ZEN UDZS 3.9B-CP |
| KEY-P.W.Board | | ZD4712 | 48-06525Z07 DIO,ZEN UDZS 3.9B-CP |
| KEY-P.W.Board | | ZD4713 | 48-06525Z07 DIO,ZEN UDZS 3.9B-CP |
| KEY-P.W.Board | | ZD4714 | 48-06525Z07 DIO,ZEN UDZS 3.9B-CP |
| KEY-P.W.Board | | ZD4716 | 48-06525Z07 DIO,ZEN UDZS 3.9B-CP |
| KEY-P.W.Board | | ZD4717 | 48-06525Z07 DIO,ZEN UDZS 3.9B-CP |
| KEY-P.W.Board | | ZD4718 | 48-06525Z07 DIO,ZEN UDZS 3.9B-CP |
| KEY-P.W.Board | | ZD4719 | 48-06525Z07 DIO,ZEN UDZS 3.9B-CP |
| Miscellaneous |  | CH3200 | 09-07002Z01 ASSY,ANIA-0001-01A |

NOTE:The part that has not PART NUMBER will not be supplied.

| MODEL | Symbol No. | Parts No. | Description |
|-------|------------|-----------|-------------|
|-------|------------|-----------|-------------|

| | | | | |
|------------------------------|---|-------------------------|-------------|----------------------|
| Miscellaneous | | CH3201 | 09-12720Z02 | ASSY,ATFA-0405-02A |
| Miscellaneous | | CH8000 | 09-17558Z03 | ASSY,ANIA-0019-03A |
| Miscellaneous |  | ET6001 | 40-17871Z01 | ASSY,EMU601G2A626 |
| Miscellaneous |  | LCD5601 | 65-20280Z01 | ASSY,C080VW05 V0 |
| Miscellaneous |  | M3200 | 59-02037Z01 | MOTOR,FF-180SH-13260 |
| Miscellaneous |  | M7700 | 59-14185Z02 | MOTOR,ASB0412MA-9F1B |
| MAIN(DV53U110)- P.W.Board | | C201 | 08S65668Y04 | CAP,CER 104KX5R1A-CP |
| MAIN(DV53U110)- P.W.Board | | C202 | 08S65668Y04 | CAP,CER 104KX5R1A-CP |
| MAIN(DV53U110)- P.W.Board | | C203 | 08S65668Y04 | CAP,CER 104KX5R1A-CP |
| MAIN(DV53U110)- P.W.Board | | C204 | 08S65668Y04 | CAP,CER 104KX5R1A-CP |
| MAIN(DV53U110)- P.W.Board | | C205 | 08S65668Y04 | CAP,CER 104KX5R1A-CP |
| MAIN(DV53U110)- P.W.Board | | C206 | 08S65668Y04 | CAP,CER 104KX5R1A-CP |
| MAIN(DV53U110)- P.W.Board | | C207 | 08S65668Y04 | CAP,CER 104KX5R1A-CP |
| MAIN(DV53U110)- P.W.Board | | C208 | 08S65668Y04 | CAP,CER 104KX5R1A-CP |
| MAIN(DV53U110)- P.W.Board | | C209 | 08S65668Y04 | CAP,CER 104KX5R1A-CP |
| MAIN(DV53U110)- P.W.Board | | C210 | 08S65668Y04 | CAP,CER 104KX5R1A-CP |
| MAIN(DV53U110)- P.W.Board | | C211 | 08S65668Y04 | CAP,CER 104KX5R1A-CP |
| MAIN(DV53U110)- P.W.Board | | C212 | 08S65668Y04 | CAP,CER 104KX5R1A-CP |
| MAIN(DV53U110)- P.W.Board | | C213 | 08S65668Y04 | CAP,CER 104KX5R1A-CP |
| MAIN(DV53U110)- P.W.Board | | C214 | 08S65668Y04 | CAP,CER 104KX5R1A-CP |
| MAIN(DV53U110)- P.W.Board | | C215 | 08S65668Y04 | CAP,CER 104KX5R1A-CP |
| MAIN(DV53U110)- P.W.Board | | C216 | 08S65668Y04 | CAP,CER 104KX5R1A-CP |
| MAIN(DV53U110)- P.W.Board | | C217 | 08S65668Y04 | CAP,CER 104KX5R1A-CP |
| MAIN(DV53U110)- P.W.Board | | C219 | 08S45232Y11 | CAP,CER 103K-B1C -CP |
| MAIN(DV53U110)- P.W.Board | | C301 | 08S45231Y06 | CAP,CER 3R0C-CJ1H-CP |
| MAIN(DV53U110)- P.W.Board | | C302 | 08S45232Y08 | CAP,CER 332K-B1H -CP |
| MAIN(DV53U110)- P.W.Board | | C303 | 08S45231Y11 | CAP,CER 8R0D-CH1H-CP |
| MAIN(DV53U110)- P.W.Board | | C304 | 08S45231Y11 | CAP,CER 8R0D-CH1H-CP |

NOTE:The part that has not PART NUMBER will not be supplied.

| MODEL | Symbol No. | Parts No. | Description |
|------------------------------|------------|----------------------|----------------------------------|
| MAIN(DV53U110)- P.W.Board | | C305 | 08S65668Y04 CAP,CER 104KX5R1A-CP |
| MAIN(DV53U110)- P.W.Board | | C306 | 08S45231Y13 CAP,CER 10RD-CH1H-CP |
| MAIN(DV53U110)- P.W.Board | | C307 | 08S45232Y14 CAP,CER 333K-B1C -CP |
| MAIN(DV53U110)- P.W.Board | | C308 | 08S45232Y07 CAP,CER 222K-B1H -CP |
| MAIN(DV53U110)- P.W.Board | | C309 | 08S45232Y07 CAP,CER 222K-B1H -CP |
| MAIN(DV53U110)- P.W.Board | | C310 | 08S45231Y30 CAP,CER 271J-CH1H-CP |
| MAIN(DV53U110)- P.W.Board | | C311 | 08S45231Y30 CAP,CER 271J-CH1H-CP |
| MAIN(DV53U110)- P.W.Board | | C312 | 08S45232Y14 CAP,CER 333K-B1C -CP |
| MAIN(DV53U110)- P.W.Board | | C313 | 08S45231Y30 CAP,CER 271J-CH1H-CP |
| MAIN(DV53U110)- P.W.Board | | C314 | 08S45231Y30 CAP,CER 271J-CH1H-CP |
| MAIN(DV53U110)- P.W.Board | | C315 | 08S65668Y04 CAP,CER 104KX5R1A-CP |
| MAIN(DV53U110)- P.W.Board | | C316 | 08S65668Y04 CAP,CER 104KX5R1A-CP |
| MAIN(DV53U110)- P.W.Board | | C317 | 08S65668Y04 CAP,CER 104KX5R1A-CP |
| MAIN(DV53U110)- P.W.Board | | C318 | 08S65668Y04 CAP,CER 104KX5R1A-CP |
| MAIN(DV53U110)- P.W.Board | | C319 | 08S65668Y04 CAP,CER 104KX5R1A-CP |
| MAIN(DV53U110)- P.W.Board | | C320 | 08S65668Y04 CAP,CER 104KX5R1A-CP |
| MAIN(DV53U110)- P.W.Board | | C322 | 08S65668Y04 CAP,CER 104KX5R1A-CP |
| MAIN(DV53U110)- P.W.Board | | C323 | 08S65668Y04 CAP,CER 104KX5R1A-CP |
| MAIN(DV53U110)- P.W.Board | | C324 | 08S65668Y04 CAP,CER 104KX5R1A-CP |
| MAIN(DV53U110)- P.W.Board | | C325 | 08S65668Y04 CAP,CER 104KX5R1A-CP |
| MAIN(DV53U110)- P.W.Board | | C326 | 08S65668Y04 CAP,CER 104KX5R1A-CP |
| MAIN(DV53U110)- P.W.Board | | C327 | 08S65668Y04 CAP,CER 104KX5R1A-CP |
| MAIN(DV53U110)- P.W.Board | | C328 | 08S45232Y07 CAP,CER 222K-B1H -CP |
| MAIN(DV53U110)- P.W.Board | | C329 | 08S65668Y04 CAP,CER 104KX5R1A-CP |
| MAIN(DV53U110)- P.W.Board | | C330 | 08S45231Y38 CAP,CER 102J-CH1E-CP |
| MAIN(DV53U110)- | | C331 | 08S65668Y04 CAP,CER 104KX5R1A-CP |

NOTE:The part that has not PART NUMBER will not be supplied.

| MODEL | Symbol No. | Parts No. | Description |
|-------|------------|-----------|-------------|
|-------|------------|-----------|-------------|

| | | | | | |
|------------------------------|--|--|----------------------|-------------|----------------------|
| P.W.Board | | | | | |
| MAIN(DV53U110)- P.W.Board | | | C332 | 08S45231Y38 | CAP,CER 102J-CH1E-CP |
| MAIN(DV53U110)- P.W.Board | | | C333 | 08S65668Y04 | CAP,CER 104KX5R1A-CP |
| MAIN(DV53U110)- P.W.Board | | | C335 | 08S65670Y06 | CAP,CER 226KX5R1A-CP |
| MAIN(DV53U110)- P.W.Board | | | C336 | 08S35349Y12 | CAP,CER 105K-B0J -CP |
| MAIN(DV53U110)- P.W.Board | | | C338 | 08S65670Y06 | CAP,CER 226KX5R1A-CP |
| MAIN(DV53U110)- P.W.Board | | | C339 | 08S35349Y12 | CAP,CER 105K-B0J -CP |
| MAIN(DV53U110)- P.W.Board | | | C340 | 08S45676W80 | CAP,CER 223K-B1E -CP |
| MAIN(DV53U110)- P.W.Board | | | C341 | 08S45676W80 | CAP,CER 223K-B1E -CP |
| MAIN(DV53U110)- P.W.Board | | | C344 | 08S65668Y04 | CAP,CER 104KX5R1A-CP |
| MAIN(DV53U110)- P.W.Board | | | C349 | 08S65668Y04 | CAP,CER 104KX5R1A-CP |
| MAIN(DV53U110)- P.W.Board | | | C350 | 08S65668Y04 | CAP,CER 104KX5R1A-CP |
| MAIN(DV53U110)- P.W.Board | | | C351 | 08S65668Y04 | CAP,CER 104KX5R1A-CP |
| MAIN(DV53U110)- P.W.Board | | | C352 | 08S65668Y04 | CAP,CER 104KX5R1A-CP |
| MAIN(DV53U110)- P.W.Board | | | C353 | 08S35374W12 | CAP,CER 106K-B0J -CP |
| MAIN(DV53U110)- P.W.Board | | | C354 | 08S35374W12 | CAP,CER 106K-B0J -CP |
| MAIN(DV53U110)- P.W.Board | | | C355 | 08S35374W12 | CAP,CER 106K-B0J -CP |
| MAIN(DV53U110)- P.W.Board | | | C356 | 08S65668Y04 | CAP,CER 104KX5R1A-CP |
| MAIN(DV53U110)- P.W.Board | | | C360 | 08S35374W10 | CAP,CER 225K-B1A -CP |
| MAIN(DV53U110)- P.W.Board | | | C402 | 08S45232Y15 | CAP,CER 473K-B1A -CP |
| MAIN(DV53U110)- P.W.Board | | | C701 | 08S45676W85 | CAP,CER 104K-B1C -CP |
| MAIN(DV53U110)- P.W.Board | | | C702 | 08S45232Y11 | CAP,CER 103K-B1C -CP |
| MAIN(DV53U110)- P.W.Board | | | C703 | 08S45676W85 | CAP,CER 104K-B1C -CP |
| MAIN(DV53U110)- P.W.Board | | | C704 | 08S45676W85 | CAP,CER 104K-B1C -CP |
| MAIN(DV53U110)- P.W.Board | | | C705 | 08S45676W85 | CAP,CER 104K-B1C -CP |
| MAIN(DV53U110)- P.W.Board | | | C706 | 08S65670Y01 | CAP,CER 106KX5R1C-CP |

NOTE:The part that has not PART NUMBER will not be supplied.

| MODEL | Symbol No. | Parts No. | Description |
|-------|------------|-----------|-------------|
|-------|------------|-----------|-------------|

| | | | |
|------------------------------|--|----------------------|----------------------------------|
| MAIN(DV53U110)- P.W.Board | | C707 | 08S45676W85 CAP,CER 104K-B1C -CP |
| MAIN(DV53U110)- P.W.Board | | C708 | 08S45676W85 CAP,CER 104K-B1C -CP |
| MAIN(DV53U110)- P.W.Board | | C709 | 08S45232Y07 CAP,CER 222K-B1H -CP |
| MAIN(DV53U110)- P.W.Board | | C710 | 08S65670Y01 CAP,CER 106KX5R1C-CP |
| MAIN(DV53U110)- P.W.Board | | C711 | 08S65670Y01 CAP,CER 106KX5R1C-CP |
| MAIN(DV53U110)- P.W.Board | | C712 | 08S45676W85 CAP,CER 104K-B1C -CP |
| MAIN(DV53U110)- P.W.Board | | C716 | 08S45676W85 CAP,CER 104K-B1C -CP |
| MAIN(DV53U110)- P.W.Board | | C717 | 08S45676W85 CAP,CER 104K-B1C -CP |
| MAIN(DV53U110)- P.W.Board | | C718 | 08S45676W85 CAP,CER 104K-B1C -CP |
| MAIN(DV53U110)- P.W.Board | | C719 | 08S65670Y01 CAP,CER 106KX5R1C-CP |
| MAIN(DV53U110)- P.W.Board | | C720 | 08S35349Y16 CAP,CER 105K-B1A -CP |
| MAIN(DV53U110)- P.W.Board | | C721 | 08S35349Y16 CAP,CER 105K-B1A -CP |
| MAIN(DV53U110)- P.W.Board | | C722 | 08S45676W73 CAP,CER.103K-B1H -CP |
| MAIN(DV53U110)- P.W.Board | | C723 | 08S45676W85 CAP,CER 104K-B1C -CP |
| MAIN(DV53U110)- P.W.Board | | C724 | 08S45676W85 CAP,CER 104K-B1C -CP |
| MAIN(DV53U110)- P.W.Board | | C729 | 08S35349Y16 CAP,CER 105K-B1A -CP |
| MAIN(DV53U110)- P.W.Board | | C801 | 08S65670Y01 CAP,CER 106KX5R1C-CP |
| MAIN(DV53U110)- P.W.Board | | C806 | 08S45232Y05 CAP,CER 102K-B1H -CP |
| MAIN(DV53U110)- P.W.Board | | C807 | 08S45232Y05 CAP,CER 102K-B1H -CP |
| MAIN(DV53U110)- P.W.Board | | C811 | 08S65670Y02 CAP,CER 225KX5R1E-CP |
| MAIN(DV53U110)- P.W.Board | | C831 | 08S35374W12 CAP,CER 106K-B0J -CP |
| MAIN(DV53U110)- P.W.Board | | C832 | 08S65667Y05 CAP,CER 105KX5R1A-CP |
| MAIN(DV53U110)- P.W.Board | | C833 | 08S65668Y04 CAP,CER 104KX5R1A-CP |
| MAIN(DV53U110)- P.W.Board | | C834 | 08S45232Y11 CAP,CER 103K-B1C -CP |
| MAIN(DV53U110)- P.W.Board | | C841 | 08S65670Y01 CAP,CER 106KX5R1C-CP |
| MAIN(DV53U110)- | | C842 | 08S65670Y01 CAP,CER 106KX5R1C-CP |

NOTE:The part that has not PART NUMBER will not be supplied.

| MODEL | Symbol No. | Parts No. | Description |
|-------|------------|-----------|-------------|
|-------|------------|-----------|-------------|

| | | | | | |
|------------------------------|--|-----------------------|-------------|----------------------|--|
| P.W.Board | | | | | |
| MAIN(DV53U110)- P.W.Board | | CB100 | 09-14451Z04 | FFC,502790-5091 -EQ | |
| MAIN(DV53U110)- P.W.Board | | CB300 | 09-05384Z06 | FFC,52745-1097 -E9 | |
| MAIN(DV53U110)- P.W.Board | | CB301 | 09-05385Z04 | FFC,52435-2471 -ED | |
| MAIN(DV53U110)- P.W.Board | | CB701 | 09-05405Z04 | FFC,52437-2471 -ED | |
| MAIN(DV53U110)- P.W.Board | | IC300 | 83-19549Z39 | V5.106DV53U010 | |
| MAIN(DV53U110)- P.W.Board | | IC700 | 51-12473Z01 | BD8216EFV-E2 -SED | |
| MAIN(DV53U110)- P.W.Board | | IC800 | 51-17621Z01 | R1501S050B-E2 -SE2 | |
| MAIN(DV53U110)- P.W.Board | | IC803 | 51-14786Z01 | BD39915HFN-TR -CP | |
| MAIN(DV53U110)- P.W.Board | | L841 | 24T65689Y01 | FBI,FBMJ2125HS420-CP | |
| MAIN(DV53U110)- P.W.Board | | L842 | 24T65689Y01 | FBI,FBMJ2125HS420-CP | |
| MAIN(DV53U110)- P.W.Board | | L852 | 24T65689Y01 | FBI,FBMJ2125HS420-CP | |
| MAIN(DV53U110)- P.W.Board | | L854 | 24T65689Y01 | FBI,FBMJ2125HS420-CP | |
| MAIN(DV53U110)- P.W.Board | | L855 | 24T65689Y01 | FBI,FBMJ2125HS420-CP | |
| MAIN(DV53U110)- P.W.Board | | PT301 | 48-14634Z01 | PHTTR,SML810TB-T86CP | |
| MAIN(DV53U110)- P.W.Board | | PT302 | 48-14634Z01 | PHTTR,SML810TB-T86CP | |
| MAIN(DV53U110)- P.W.Board | | Q301 | 48T55462Y01 | TR,2SB1132-QR-100-E2 | |
| MAIN(DV53U110)- P.W.Board | | Q302 | 48T55462Y01 | TR,2SB1132-QR-100-E2 | |
| MAIN(DV53U110)- P.W.Board | | Q303 | 48T75011W01 | TR,2SD1782K-PQR-6-CP | |
| MAIN(DV53U110)- P.W.Board | | Q304 | 48T75011W01 | TR,2SD1782K-PQR-6-CP | |
| MAIN(DV53U110)- P.W.Board | | Q360 | 48T55462Y02 | TR,2SB1132-R-T100-E2 | |
| MAIN(DV53U110)- P.W.Board | | Q361 | 48-13000Z06 | TR,LTC143XUBFS8-TLCP | |
| MAIN(DV53U110)- P.W.Board | | R110 | 06S15615Y23 | RES,RK 82RJ 1/16 -CP | |
| MAIN(DV53U110)- P.W.Board | | R111 | 06S15615Y09 | RES,RK 22RJ 1/16 -CP | |
| MAIN(DV53U110)- P.W.Board | | R112 | 06S15615Y23 | RES,RK 82RJ 1/16 -CP | |
| MAIN(DV53U110)- P.W.Board | | R113 | 06S15615Y09 | RES,RK 22RJ 1/16 -CP | |

NOTE:The part that has not PART NUMBER will not be supplied.

| MODEL | Symbol No. | Parts No. | Description |
|------------------------------|------------|----------------------|----------------------------------|
| MAIN(DV53U110)- P.W.Board | | R114 | 06S15615Y23 RES,RK 82RJ 1/16 -CP |
| MAIN(DV53U110)- P.W.Board | | R115 | 06S15615Y23 RES,RK 82RJ 1/16 -CP |
| MAIN(DV53U110)- P.W.Board | | R116 | 06S15615Y09 RES,RK 22RJ 1/16 -CP |
| MAIN(DV53U110)- P.W.Board | | R120 | 06S15615Y23 RES,RK 82RJ 1/16 -CP |
| MAIN(DV53U110)- P.W.Board | | R122 | 06S15615Y09 RES,RK 22RJ 1/16 -CP |
| MAIN(DV53U110)- P.W.Board | | R123 | 06S15615Y09 RES,RK 22RJ 1/16 -CP |
| MAIN(DV53U110)- P.W.Board | | R124 | 06S15615Y73 RES,RK 103J 1/16 -CP |
| MAIN(DV53U110)- P.W.Board | | R125 | 06S15615Y73 RES,RK 103J 1/16 -CP |
| MAIN(DV53U110)- P.W.Board | | R126 | 06S15615Y73 RES,RK 103J 1/16 -CP |
| MAIN(DV53U110)- P.W.Board | | R203 | 06S15615Y25 RES,RK 101J 1/16 -CP |
| MAIN(DV53U110)- P.W.Board | | R301 | 06S15615Y67 RES,RK 562J 1/16 -CP |
| MAIN(DV53U110)- P.W.Board | | R302 | 06-02713Z21 RES,RK 333D 1/16 -CP |
| MAIN(DV53U110)- P.W.Board | | R303 | 06-02713Z23 RES,RK 473D 1/16 -CP |
| MAIN(DV53U110)- P.W.Board | | R304 | 06S15593Y60 RES,RK 302F 1/10 -CP |
| MAIN(DV53U110)- P.W.Board | | R305 | 06S45675W07 RES,RK 114J 1/10 -CP |
| MAIN(DV53U110)- P.W.Board | | R306 | 06S45675W11 RES,RK 164J 1/10 -CP |
| MAIN(DV53U110)- P.W.Board | | R307 | 06S65415Y61 RES,RK 105F 1/16 -CP |
| MAIN(DV53U110)- P.W.Board | | R308 | 06S15615Y53 RES,RK 152J 1/16 -CP |
| MAIN(DV53U110)- P.W.Board | | R309 | 06S15615Y41 RES,RK 471J 1/16 -CP |
| MAIN(DV53U110)- P.W.Board | | R310 | 06S15615Y61 RES,RK 332J 1/16 -CP |
| MAIN(DV53U110)- P.W.Board | | R311 | 06S65415Y37 RES,RK 103F 1/16 -CP |
| MAIN(DV53U110)- P.W.Board | | R312 | 06S65415Y37 RES,RK 103F 1/16 -CP |
| MAIN(DV53U110)- P.W.Board | | R313 | 06S15615Y73 RES,RK 103J 1/16 -CP |
| MAIN(DV53U110)- P.W.Board | | R314 | 06S15615Y73 RES,RK 103J 1/16 -CP |
| MAIN(DV53U110)- P.W.Board | | R315 | 06S15615Y61 RES,RK 332J 1/16 -CP |
| MAIN(DV53U110)- | | R316 | 06S15615Y77 RES,RK 153J 1/16 -CP |

NOTE:The part that has not PART NUMBER will not be supplied.

| MODEL | Symbol No. | Parts No. | Description |
|------------------------------|------------|----------------------|----------------------------------|
| P.W.Board | | | |
| MAIN(DV53U110)- P.W.Board | | R317 | 06S15615Y77 RES,RK 153J 1/16 -CP |
| MAIN(DV53U110)- P.W.Board | | R322 | 06S15615Y73 RES,RK 103J 1/16 -CP |
| MAIN(DV53U110)- P.W.Board | | R323 | 06S15615Y73 RES,RK 103J 1/16 -CP |
| MAIN(DV53U110)- P.W.Board | | R324 | 06S55361Y14 RES,RK 7R5J 1/4 -CP |
| MAIN(DV53U110)- P.W.Board | | R325 | 06S65522Y22 RES,RK 5R6F 1/4 -CP |
| MAIN(DV53U110)- P.W.Board | | R326 | 06S35083Y52 RES,RK 1R0F 1/4 -CP |
| MAIN(DV53U110)- P.W.Board | | R327 | 06S65415Y36 RES,RK 822F 1/16 -CP |
| MAIN(DV53U110)- P.W.Board | | R332 | 06S65415Y37 RES,RK 103F 1/16 -CP |
| MAIN(DV53U110)- P.W.Board | | R333 | 06S65415Y37 RES,RK 103F 1/16 -CP |
| MAIN(DV53U110)- P.W.Board | | R334 | 06S15615Y23 RES,RK 82RJ 1/16 -CP |
| MAIN(DV53U110)- P.W.Board | | R335 | 06S15615Y41 RES,RK 471J 1/16 -CP |
| MAIN(DV53U110)- P.W.Board | | R336 | 06S15615Y41 RES,RK 471J 1/16 -CP |
| MAIN(DV53U110)- P.W.Board | | R337 | 06T25178Y47 RES,RK 47RF 1/4 -CP |
| MAIN(DV53U110)- P.W.Board | | R339 | 06S15615Y59 RES,RK 272J 1/16 -CP |
| MAIN(DV53U110)- P.W.Board | | R340 | 06S15615Y59 RES,RK 272J 1/16 -CP |
| MAIN(DV53U110)- P.W.Board | | R341 | 06S15615Y47 RES,RK 821J 1/16 -CP |
| MAIN(DV53U110)- P.W.Board | | R342 | 06S15615Y47 RES,RK 821J 1/16 -CP |
| MAIN(DV53U110)- P.W.Board | | R346 | 06S15616Y12 RES,RK 394J 1/16 -CP |
| MAIN(DV53U110)- P.W.Board | | R348 | 06S15615Y59 RES,RK 272J 1/16 -CP |
| MAIN(DV53U110)- P.W.Board | | R349 | 06S15616Y14 RES,RK 474J 1/16 -CP |
| MAIN(DV53U110)- P.W.Board | | R360 | 06S15615Y81 RES,RK 223J 1/16 -CP |
| MAIN(DV53U110)- P.W.Board | | R361 | 06S45674W47 RES,RK 391J 1/10 -CP |
| MAIN(DV53U110)- P.W.Board | | R362 | 06S15615Y73 RES,RK 103J 1/16 -CP |
| MAIN(DV53U110)- P.W.Board | | R703 | 06S65415Y34 RES,RK 562F 1/16 -CP |
| MAIN(DV53U110)- P.W.Board | | R704 | 06S15615Y66 RES,RK 512J 1/16 -CP |

NOTE:The part that has not PART NUMBER will not be supplied.

| MODEL | Symbol No. | Parts No. | Description |
|------------------------------|------------|----------------------|----------------------------------|
| MAIN(DV53U110)- P.W.Board | | R705 | 06S65522Y12 RES,RK R82F 1/4 -CP |
| MAIN(DV53U110)- P.W.Board | | R706 | 06S65522Y12 RES,RK R82F 1/4 -CP |
| MAIN(DV53U110)- P.W.Board | | R707 | 06S65522Y12 RES,RK R82F 1/4 -CP |
| MAIN(DV53U110)- P.W.Board | | R708 | 06S65522Y12 RES,RK R82F 1/4 -CP |
| MAIN(DV53U110)- P.W.Board | | R709 | 06S15615Y99 RES,RK 124J 1/16 -CP |
| MAIN(DV53U110)- P.W.Board | | R710 | 06S15615Y99 RES,RK 124J 1/16 -CP |
| MAIN(DV53U110)- P.W.Board | | R711 | 06S15615Y87 RES,RK 393J 1/16 -CP |
| MAIN(DV53U110)- P.W.Board | | R712 | 06S15615Y87 RES,RK 393J 1/16 -CP |
| MAIN(DV53U110)- P.W.Board | | R713 | 06S65415Y36 RES,RK 822F 1/16 -CP |
| MAIN(DV53U110)- P.W.Board | | R714 | 06S65415Y36 RES,RK 822F 1/16 -CP |
| MAIN(DV53U110)- P.W.Board | | R715 | 06S65415Y45 RES,RK 473F 1/16 -CP |
| MAIN(DV53U110)- P.W.Board | | R716 | 06S65415Y45 RES,RK 473F 1/16 -CP |
| MAIN(DV53U110)- P.W.Board | | R717 | 06S64996F43 RES,RK 1R5J 1/8 -CP |
| MAIN(DV53U110)- P.W.Board | | R718 | 06S64996F43 RES,RK 1R5J 1/8 -CP |
| MAIN(DV53U110)- P.W.Board | | R719 | 06S64996F43 RES,RK 1R5J 1/8 -CP |
| MAIN(DV53U110)- P.W.Board | | R720 | 06S64996F43 RES,RK 1R5J 1/8 -CP |
| MAIN(DV53U110)- P.W.Board | | R721 | 06S64996F43 RES,RK 1R5J 1/8 -CP |
| MAIN(DV53U110)- P.W.Board | | R722 | 06S64996F43 RES,RK 1R5J 1/8 -CP |
| MAIN(DV53U110)- P.W.Board | | R731 | 06S65415Y41 RES,RK 223F 1/16 -CP |
| MAIN(DV53U110)- P.W.Board | | R734 | 06S15615Y81 RES,RK 223J 1/16 -CP |
| MAIN(DV53U110)- P.W.Board | | R735 | 06S15593Y25 RES,RK 101F 1/10 -CP |
| MAIN(DV53U110)- P.W.Board | | R736 | 06S35083Y15 RES,RK 151F 1/4 -CP |
| MAIN(DV53U110)- P.W.Board | | R737 | 06S15615Y41 RES,RK 471J 1/16 -CP |
| MAIN(DV53U110)- P.W.Board | | R738 | 06S15615Y25 RES,RK 101J 1/16 -CP |
| MAIN(DV53U110)- P.W.Board | | R741 | 06S65522Y07 RES,RK R33F 1/4 -CP |
| MAIN(DV53U110)- | | R742 | 06S65522Y07 RES,RK R33F 1/4 -CP |

NOTE:The part that has not PART NUMBER will not be supplied.

| MODEL | Symbol No. | Parts No. | Description |
|------------------------------|---|-----------------------|----------------------------------|
| P.W.Board | | | |
| MAIN(DV53U110)- P.W.Board | | R820 | 06S15615Y61 RES,RK 332J 1/16 -CP |
| MAIN(DV53U110)- P.W.Board | | R831 | 06S15615Y81 RES,RK 223J 1/16 -CP |
| MAIN(DV53U110)- P.W.Board | | R832 | 06S15615Y81 RES,RK 223J 1/16 -CP |
| MAIN(DV53U110)- P.W.Board | | R833 | 06S15615Y25 RES,RK 101J 1/16 -CP |
| MAIN(DV53U110)- P.W.Board | | R841 | 06S45675W18 RES,RK 334J 1/10 -CP |
| MAIN(DV53U110)- P.W.Board | | R842 | 06S45674W80 RES,RK 912J 1/10 -CP |
| MAIN(DV53U110)- P.W.Board | | RA101 | 06S15771Y07 RES,ARYEXB28V33RJ-CP |
| MAIN(DV53U110)- P.W.Board | | RA102 | 06S15771Y07 RES,ARYEXB28V33RJ-CP |
| MAIN(DV53U110)- P.W.Board | | RA103 | 06S15771Y07 RES,ARYEXB28V33RJ-CP |
| MAIN(DV53U110)- P.W.Board | | RA104 | 06S15771Y07 RES,ARYEXB28V33RJ-CP |
| MAIN(DV53U110)- P.W.Board | | RA105 | 06S15771Y12 RES,ARYEXB28V82RJ-CP |
| MAIN(DV53U110)- P.W.Board | | SD301 | 48-07158Z01 DIO,SHT 1SS406 -CP |
| MAIN(DV53U110)- P.W.Board | | SD302 | 48-07158Z01 DIO,SHT 1SS406 -CP |
| MAIN(DV53U110)- P.W.Board |  | SW301 | 40T15494Y18 SW,DETCT SPVG1302-E6 |
| MAIN(DV53U110)- P.W.Board | | TH301 | 48T75201Y03 TMT,NCP15XH103F0S-CP |
| MAIN(DV53U110)- P.W.Board | | XL300 | 91-17642Z02 XTL,NX3225SA 22.5-CP |
| SW(DV53U110)- P.W.Board | | LD300 | 48-14635Z02 LED,SML-S13RT-T68-CP |
| SW(DV53U110)- P.W.Board | | LD301 | 48-14635Z02 LED,SML-S13RT-T68-CP |
| SW(DV53U110)- P.W.Board | | R328 | 06S15593Y43 RES,RK 561F 1/10 -CP |
| SW(DV53U110)- P.W.Board | | R329 | 06S15593Y43 RES,RK 561F 1/10 -CP |
| SW(DV53U110)- P.W.Board |  | SW1 | 40-08552Z01 SW,DETCT SPVR1101-E5 |
| Miscellaneous |  | HD1 | EP-20915Z01 ED21A97L |
| Miscellaneous |  | M1 | 59-17572Z01 MOTOR,FF-050SB-12150 |
| Miscellaneous |  | M2 | 59T65142Y02 MOTOR,MSDV020L11 |
| Miscellaneous |  | M3 | 59-17421Z01 MOTOR,24C030D031A |

NOTE:The part that has not PART NUMBER will not be supplied.