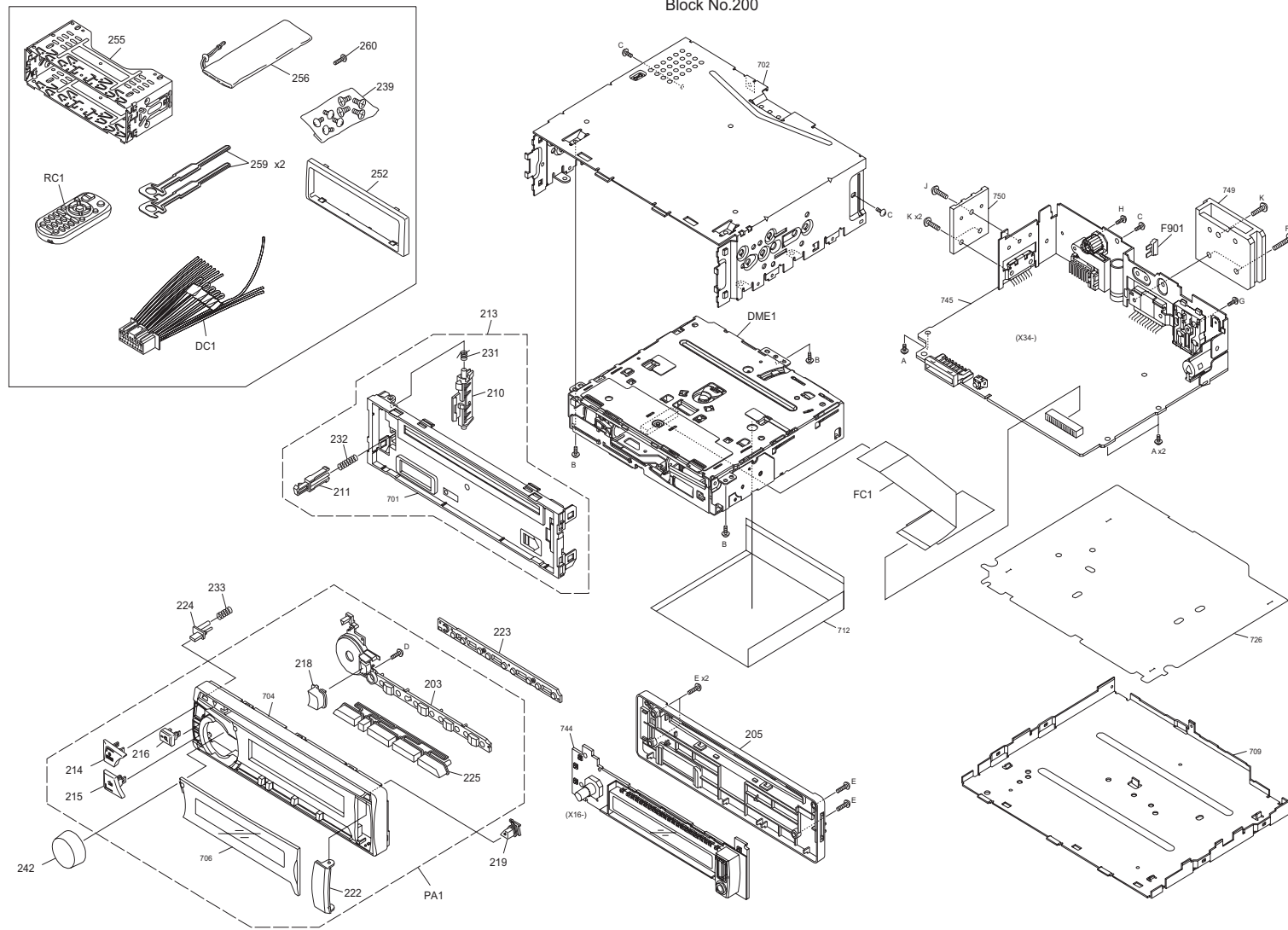


# EXPLODED VIEW (UNIT)



MODEL	MARK
KDC-200U	

Safe	Symbol No.	Parts No.	Parts Name	Description	QTY	Local
<b>EXPLODED VIEW (UNIT) &lt;200&gt;</b>						
	DC1	QAM1335-001	DC CORD		1	
	DME1	X92-6740-00	MECHANISM ASSY	HCS-1100W	1	
△	F901	QMFZ064-100-J1	FUSE	10A	1	
	FC1	WJT0277-001A-E	E-CARD WIRE		1	
	PA1	GE20288-034A	F. PANEL ASSY		1	
	RC1	QAL1303-001	REMOTE CONTROL UNIT	RC-405	1	
	A	GE40377-002A	SCREW		3	
	B	QYSDST2604ZA	TAP SCREW	M2.6 x 4mm	3	
	C	QYSDST2606ZA	TAP SCREW	M2.6 x 6mm	3	
	D	QYSPSF2006ZA	TAP SCREW	M2 x 6mm	1	
	E	QYSPSF2008ZA	TAP SCREW	M2 x 8mm	4	
	F	GE40377-005A	SPECIAL SCREW		2	
	G	QYSDSF2608ZA	TAP SCREW	M2.6 x 8mm	1	
	H	QYSDSG3006ZA	TAP SCREW	M3 x 6mm	1	
	J	QYSDST2608ZA	TAP SCREW	M2.6 x 8mm	1	
	K	QYSDST2610ZA	TAP SCREW	M2.6 x 10mm	3	
	203	GE10309-001A	LIGHT GUIDE (USB)		1	
	205	GE10313-001A	REAR COVER		1	
	210	GE34045-001A	LOCK LEVER		1	
	211	GE34046-001A	RELEASE LEVER		1	
	213	GE34074-001A	F.CHASSIS ASSY	20PIN	1	
	214	GE34291-001A	SRC BUTTON		1	
	215	GE34292-001A	BACK BUTTON		1	
	216	GE34293-002A	SEARCH BTN		1	
	218	GE34496-001A	ACC BTN (iPod)		1	
	219	GE34497-001A	EJECT BUTTON		1	
	222	GE34502-001A	USB DOOR COVER		1	
	223	GE34504-001A	CONDUCT. RUBBER		1	
	224	GE34505-001A	DETACH BUTTON		1	
	225	GE34517-001A	PRESET BTN		1	
	231	GE40504-001A	SPRING		1	
	232	GE40505-001A	SPRING		1	
	233	GE40505-002A	SPRING		1	
	239	GE40536-001A	SCREW SET		1	
	242	GE40557-001A	VOL KNOB RUBBER		1	
	252	GE20300-001A	TRIM PLATE		1	
	255	GE34826-002A	M.SLEEVE ASSY		1	
	256	GE40521-001A	CARRYING CASE		1	
	259	GE40578-002A	HOOK		2	
	260	QYSPSF2008MA	TAP SCREW	M2 x 8mm	1	
-		GET0866-001A	INST BOOK	ENG SPA	1	
-		GE35243-001A	INNER CARTON		1	

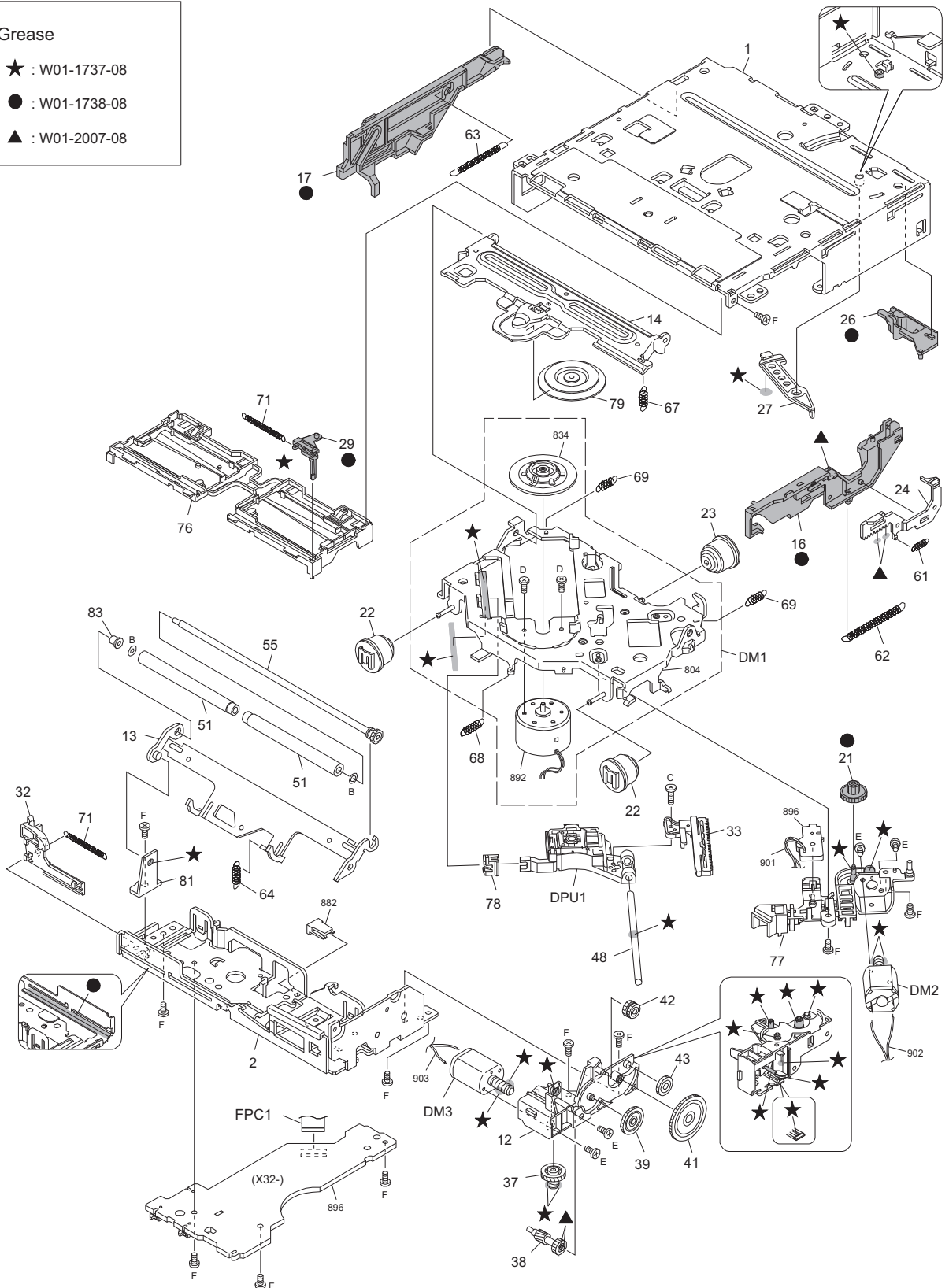
# EXPLODED VIEW (CD MECHANISM)

Block No.130

HCS-1100W

**Grease**

- ★ : W01-1737-08
- : W01-1738-08
- ▲ : W01-2007-08



Parts with the exploded numbers larger than 800 are not supplied.

MODEL	MARK
KDC-200U	

Safe	Symbol No.	Parts No.	Parts Name	Description	QTY	Local
<b>EXPLODED VIEW (CD MECHANISM) &lt;130&gt;</b>						
	DM1	X94-2150-00	SPINDLE MOTOR ASSY		1	
	DM2	X94-2160-00	FEED MOTOR ASSY		1	
	DM3	X94-2170-00	LOADING MOTOR ASSY		1	
	DPU1	QAL1226-001	PICK UP		1	
	FPC1	QAL0817-003	FPC		1	
	B	LV45449-001A	WASHER		2	
	C	QYSPSGT1745ZA	TAP SCREW	M1.7 x 4.5mm	1	
	D	LV45568-001A	MINI SCREW		2	
	E	QYSPSPT2025MA	SCREW	M2 x 2.5mm	4	
	F	VKZ4539-054	MINI SCREW		11	
	1	LV11685-503A	TOP FRAME		1	
	2	LV11686-501A	BOTTOM FRAME		1	
	12	LV11688-501A	LOADING BASE		1	
	13	LV11690-501A	ROLLER ARM		1	
	14	LV22825-502A	HC CLAMPER BASE		1	
	16	LV22826-502A	LOAD CAM		1	
	17	LV22827-501A	FL SLIDER (L)		1	
	21	LV36815-501A	F WHEEL GEAR		1	
	22	LV36904-001A	DAMPER		2	
	23	LV37061-001A	DAMPER		1	
	24	LV38951-501A	TRIGGER RACK		1	
	26	LV38952-501A	FL SLIDER (B)		1	
	27	LV38953-501A	TRIGGER PLATE		1	
	29	LV38957-501A	SW SLIDER (R)		1	
	32	LV39496-502A	SW ACTUATOR (2)		1	
	33	LV38960-501A	FEED RACK		1	
	37	LV38964-501A	D.WHEEL GEAR		1	
	38	LV38965-501A	ACT GEAR (1)		1	
	39	LV38966-501A	ACT GEAR (2)		1	
	41	LV38967-501A	ACT GEAR (3)		1	
	42	LV38968-501A	ROLLER ACT GEAR		1	
	43	LV38969-501A	DRIVE GEAR		1	
	48	LV44555-001A	MAIN SHAFT		1	
	51	LV45424-001A	HC ROLLER		2	
	55	X94-2190-00	ROLLER SHAFT ASSY		1	
	61	LV45415-501A	TRIGGER SPRING		1	
	62	LV45416-501A	LOAD CAM SPRING		1	
	63	LV45417-501A	FL SLIDER SPRING		1	
	64	LV45418-501A	R.ARM SPRING		1	
	67	LV45421-501A	HC CL SPRING		1	
	68	LV45422-501A	SUS SPRING (F)		1	
	69	LV45423-501A	SUS SPRING (B)		2	
	71	LV45505-502A	SW ACT SPRING		2	
	76	LV11689-501A	DISC GUIDE		1	
	77	LV22828-501A	FEED BRACKET		1	
	78	LV36813-501A	SUB GUIDE CAP		1	
	79	LV36819-502A	CLAMPER		1	
	81	LV38954-501A	R.ARM GUIDE		1	
	83	LV45648-501A	RA COLLAR (L) 2		1	
<b>ELECTRIC UNIT (X34-7130-10) &lt;X34&gt;</b>						
△	IC1	TEF6614TV1S4-X	INTEGRATED CIRCUIT (ANALOGUE)		1	
	IC80	MFI341S2313-X	MICROPROCESSOR IC		1	
	IC161	TDA7718B-X	INTEGRATED CIRCUIT (ANALOGUE)		1	
△	IC301	TB2931HQ	ANALOGUE IC	25PIN 1.0MM PITCH	1	
△	IC501	LV8281VR-X	INTEGRATED CIRCUIT (MOS-IC)		1	
	IC530	XC6213B332NG-X	INTEGRATED CIRCUIT (ANALOGUE)		1	
	IC531	XC6213B152NG-X	INTEGRATED CIRCUIT (ANALOGUE)		1	
	IC532	XC6213B152NG-X	INTEGRATED CIRCUIT (ANALOGUE)		1	
△	IC540	JCV8022	INTEGRATED CIRCUIT (MOS-IC)		1	
△	IC701	JCV8019-8E5	INTEGRATED CIRCUIT (MCU)		1	
	IC702	XC6120N282NG-X	INTEGRATED CIRCUIT (MOS-IC)		1	
	IC771	BR24T02FJ-W-X	INTEGRATED CIRCUIT (ROM)		1	
△	IC901	LV5680P	INTEGRATED CIRCUIT (ANALOGUE)		1	
	IC931	XC6213B332NG-X	INTEGRATED CIRCUIT (ANALOGUE)		1	
	IC981	BD9673EFJ-X	INTEGRATED CIRCUIT (MOS-IC)		1	
	Q321	IMX9-W	PAIR TRANSISTOR		1	
	Q540	2SA2188/F-X	TRANSISTOR		1	
	Q701	LTA014YUB-X	DIGI TRANSISTOR		1	
	Q780	LTA024EUB-X	DIGI TRANSISTOR		1	
	Q781	LTC024EUB-X	DIGI TRANSISTOR		1	
	Q782	LTA024EUB-X	DIGI TRANSISTOR		1	
	Q951	2SA812A/5-6/-X	TRANSISTOR		1	
	Q952	LTC044EUB-X	DIGI TRANSISTOR		1	
	Q970	LSCR523UB-X	TRANSISTOR		1	
	Q971	LSCR523UB-X	TRANSISTOR		1	
	D9	NAF0029-001X	ESD SUPPRESSOR		1	
	D100	RKZ6.2B2KG-X	ZENER DIODE		1	
	D101	RKZ6.2B2KG-X	ZENER DIODE		1	
	D110	RKZ6.2B2KG-X	ZENER DIODE		1	

MODEL	MARK
KDC-200U	

Safe	Symbol No.	Parts No.	Parts Name	Description	QTY	Local
	D111	RKZ6.2B2KG-X	ZENER DIODE		1	
	D321	BAW56-TP-X	SILICON DIODE		1	
	D502	GS1J-LTP-X	SILICON DIODE		1	
	D540	RKS801KF-X	SILICON DIODE		1	
	D704	RKZ6.2B2KG-X	ZENER DIODE		1	
	D780	BAW56-TP-X	SILICON DIODE		1	
	D781	BAW56-TP-X	SILICON DIODE		1	
	D782	RKS801KF-X	SILICON DIODE		1	
	D783	BAW56-TP-X	SILICON DIODE		1	
	D891	BAW56-TP-X	SILICON DIODE		1	
△	D901	1N5401-BPC04	SILICON DIODE		1	
	D902	MBRX130-TP-X	SB DIODE		1	
	D941	MBRX130-TP-X	SB DIODE		1	
	D942	MBRX130-TP-X	SB DIODE		1	
	D970	RKZ6.8B2KG-X	ZENER DIODE		1	
	D971	RKZ6.8B2KG-X	ZENER DIODE		1	
	D981	DB22306-X	SB DIODE		1	
	C1	NCB31HK-102X	C CAPACITOR	1000pF 50V K	1	
	C2	NDC31HJ-7R0X	C CAPACITOR	7pF 50V J	1	
	C3	NCB31HK-102X	C CAPACITOR	1000pF 50V K	1	
	C4	NCB31CK-224X	C CAPACITOR	0.22uF 16V K	1	
	C5	NDC31HJ-150X	C CAPACITOR	15pF 50V J	1	
	C6	NDC31HJ-6R0X	C CAPACITOR	6pF 50V J	1	
	C7	NDC31HJ-270X	C CAPACITOR	27pF 50V J	1	
	C10	NCB21CK-105X	C CAPACITOR	1uF 16V K	1	
	C11	NCB31HK-103X	C CAPACITOR	0.01uF 50V K	1	
	C12	NCB31HK-103X	C CAPACITOR	0.01uF 50V K	1	
	C13	NCB21CK-105X	C CAPACITOR	1uF 16V K	1	
	C14	NCB31CK-224X	C CAPACITOR	0.22uF 16V K	1	
	C15	NCB31CK-104X	C CAPACITOR	0.1uF 16V	1	
	C16	NCB31HK-103X	C CAPACITOR	0.01uF 50V K	1	
	C17	NCB31CK-104X	C CAPACITOR	0.1uF 16V	1	
	C18	NCB31HK-103X	C CAPACITOR	0.01uF 50V K	1	
	C19	NCB31CK-104X	C CAPACITOR	0.1uF 16V	1	
	C20	NDC31HJ-120X	C CAPACITOR	12pF 50V J	1	
	C21	NCB31CK-104X	C CAPACITOR	0.1uF 16V	1	
	C22	NCB31CK-104X	C CAPACITOR	0.1uF 16V	1	
	C23	NCB31CK-104X	C CAPACITOR	0.1uF 16V	1	
	C24	QEKJ1CM-107Z	E CAPACITOR	100uF 16V M	1	
	C26	NDC31HJ-471X	C CAPACITOR	470pF 50V J	1	
	C27	NDC31HJ-2R0X	C CAPACITOR	2pF 50V J	1	
	C28	NDC31HJ-100X	C CAPACITOR	10pF 50V J	1	
	C80	NCB31EK-473X	C CAPACITOR	0.047uF 25V K	1	
	C101	NCB31CK-105X	C CAPACITOR	1uF 16V K	1	
	C102	NCB31CK-105X	C CAPACITOR	1uF 16V K	1	
	C111	NCB31CK-105X	C CAPACITOR	1uF 16V K	1	
	C112	NCB31CK-104X	C CAPACITOR	0.1uF 16V	1	
	C160	QEKJ1EM-106Z	E CAPACITOR	10uF 25V M	1	
	C161	NCB31AK-105X	C CAPACITOR	1uF 10V K	1	
	C162	QERF1HM-475Z	E CAPACITOR	4.7uF 50V M	1	
	C166	NCB31CK-104X	C CAPACITOR	0.1uF 16V	1	
	C168	NCB31CK-104X	C CAPACITOR	0.1uF 16V	1	
	C169	NCB31AK-105X	C CAPACITOR	1uF 10V K	1	
	C170	NCB31AK-105X	C CAPACITOR	1uF 10V K	1	
	C171	NCB31AK-105X	C CAPACITOR	1uF 10V K	1	
	C172	QEKJ1CM-107Z	E CAPACITOR	100uF 16V M	1	
	C173	NCB31AK-105X	C CAPACITOR	1uF 10V K	1	
	C174	QERF1HM-475Z	E CAPACITOR	4.7uF 50V M	1	
	C178	NCB31AK-105X	C CAPACITOR	1uF 10V K	1	
	C305	NCB21CK-224X-A	C CAPACITOR	0.22uF 16V K	1	
	C306	NCB21CK-224X-A	C CAPACITOR	0.22uF 16V K	1	
	C307	NCB21CK-224X-A	C CAPACITOR	0.22uF 16V K	1	
	C308	NCB21CK-224X-A	C CAPACITOR	0.22uF 16V K	1	
	C309	QEKJ1CM-226Z	E CAPACITOR	22uF 16V M	1	
	C311	NCB31HK-223X	C CAPACITOR	0.022uF 50V K	1	
	C312	NCB31HK-223X	C CAPACITOR	0.022uF 50V K	1	
	C313	NCB21AK-105X-A	C CAPACITOR	1uF 10V K	1	
	C314	NCB31AK-105X	C CAPACITOR	1uF 10V K	1	
	C315	NCB31AK-105X	C CAPACITOR	1uF 10V K	1	
	C320	QEKJ1HM-106Z	E CAPACITOR	10uF 50V M	1	
	C321	NDC31HJ-101X	C CAPACITOR	100pF 50V J	1	
	C330	QEKJ1HM-106Z	E CAPACITOR	10uF 50V M	1	
	C331	NDC31HJ-101X	C CAPACITOR	100pF 50V J	1	
	C368	NCB31HK-103X	C CAPACITOR	0.01uF 50V K	1	
	C501	NCB31CK-104X	C CAPACITOR	0.1uF 16V	1	
	C504	NCB31CK-104X	C CAPACITOR	0.1uF 16V	1	
	C505	NCB31HK-473X	C CAPACITOR	0.047uF 50V K	1	
	C506	NCB31CK-224X	C CAPACITOR	0.22uF 16V K	1	
	C507	NCB31CK-104X	C CAPACITOR	0.1uF 16V	1	
	C513	NCB31CK-104X	C CAPACITOR	0.1uF 16V	1	
	C514	QERF1AM-107Z	E CAPACITOR	100uF 10V M	1	
	C530	NCB31AK-105X	C CAPACITOR	1uF 10V K	1	
	C531	NCB31CK-104X	C CAPACITOR	0.1uF 16V	1	
	C532	NCB31AK-105X	C CAPACITOR	1uF 10V K	1	
	C533	NCB31CK-104X	C CAPACITOR	0.1uF 16V	1	
	C534	NCB31CK-104X	C CAPACITOR	0.1uF 16V	1	
	C535	NCB31CK-104X	C CAPACITOR	0.1uF 16V	1	
	C540	NCB31CK-104X	C CAPACITOR	0.1uF 16V	1	
	C541	NCB31HK-222X	C CAPACITOR	2200pF 50V K	1	
	C542	NCB31CK-104X	C CAPACITOR	0.1uF 16V	1	
	C543	NCB31HK-103X	C CAPACITOR	0.01uF 50V K	1	
	C544	NCB31HK-332X	C CAPACITOR	3300pF 50V K	1	

MODEL	MARK
KDC-200U	

Safe	Symbol No.	Parts No.	Parts Name	Description	QTY	Local
	C545	NCB31CK-104X	C CAPACITOR	0.1uF 16V	1	
	C546	NCB31AK-105X	C CAPACITOR	1uF 10V K	1	
	C547	NCB31HK-153X	C CAPACITOR	0.015uF 50V K	1	
	C548	NDC31HJ-680X	C CAPACITOR	68pF 50V J	1	
	C549	NCB31CK-104X	C CAPACITOR	0.1uF 16V	1	
	C550	NCB20JK-106X-R	C CAPACITOR	10uF 6.3V K	1	
	C551	NCB31CK-104X	C CAPACITOR	0.1uF 16V	1	
	C552	NCB31HK-333X	C CAPACITOR	0.033uF 50V K	1	
	C553	NCB31HK-472X	C CAPACITOR	4700pF 50V K	1	
	C554	NDC31HJ-331X	C CAPACITOR	330pF 50V J	1	
	C555	NDC31HJ-681X	C CAPACITOR	680pF 50V J	1	
	C556	NCB31CK-683X	C CAPACITOR	0.068uF 16V K	1	
	C557	NCB31HK-333X	C CAPACITOR	0.033uF 50V K	1	
	C558	NCB31CK-104X	C CAPACITOR	0.1uF 16V	1	
	C559	NCB31CK-104X	C CAPACITOR	0.1uF 16V	1	
	C561	NCB20JK-106X	C CAPACITOR	10uF 6.3V K	1	
	C562	NCB20JK-106X	C CAPACITOR	10uF 6.3V K	1	
	C564	NCB31CK-104X	C CAPACITOR	0.1uF 16V	1	
	C565	NCB31CK-104X	C CAPACITOR	0.1uF 16V	1	
	C566	NCB31CK-104X	C CAPACITOR	0.1uF 16V	1	
	C567	NCB31AK-105X	C CAPACITOR	1uF 10V K	1	
	C568	NCB31CK-104X	C CAPACITOR	0.1uF 16V	1	
	C569	NCB31CK-104X	C CAPACITOR	0.1uF 16V	1	
	C570	NCB31CK-104X	C CAPACITOR	0.1uF 16V	1	
	C571	NDC31HJ-470X	C CAPACITOR	47pF 50V J	1	
	C572	NCB31HK-153X	C CAPACITOR	0.015uF 50V K	1	
	C573	NCB31CK-104X	C CAPACITOR	0.1uF 16V	1	
	C574	NCB31HK-103X	C CAPACITOR	0.01uF 50V K	1	
	C576	NCB31HK-152X	C CAPACITOR	1500pF 50V K	1	
	C582	NCB31HK-102X	C CAPACITOR	1000pF 50V K	1	
	C583	NCB31HK-102X	C CAPACITOR	1000pF 50V K	1	
	C592	NDC31HJ-101X	C CAPACITOR	100pF 50V J	1	
	C593	NDC31HJ-101X	C CAPACITOR	100pF 50V J	1	
	C701	NDC31HJ-100X	C CAPACITOR	10pF 50V J	1	
	C702	NDC31HJ-100X	C CAPACITOR	10pF 50V J	1	
	C704	QEKJ1CM-107Z	E CAPACITOR	100uF 16V M	1	
	C705	NCB31CK-104X	C CAPACITOR	0.1uF 16V	1	
	C706	NCB31CK-104X	C CAPACITOR	0.1uF 16V	1	
	C708	NCB31CK-104X	C CAPACITOR	0.1uF 16V	1	
	C711	NCB31CK-104X	C CAPACITOR	0.1uF 16V	1	
	C712	NCB31CK-104X	C CAPACITOR	0.1uF 16V	1	
	C713	NCB31CK-104X	C CAPACITOR	0.1uF 16V	1	
	C714	NCB31CK-104X	C CAPACITOR	0.1uF 16V	1	
	C715	NCB31CK-104X	C CAPACITOR	0.1uF 16V	1	
	C716	NCB31CK-104X	C CAPACITOR	0.1uF 16V	1	
	C717	NCB31CK-104X	C CAPACITOR	0.1uF 16V	1	
	C718	NCB31AK-474X	C CAPACITOR	0.47uF 10V K	1	
	C722	NCB10JK-106X-A	C CAPACITOR	10uF 6.3V K	1	
	C723	NCB31EK-473X	C CAPACITOR	0.047uF 25V K	1	
	C724	NDC31HJ-180X	C CAPACITOR	18pF 50V J	1	
	C725	NDC31HJ-150X	C CAPACITOR	15pF 50V J	1	
	C728	NCB31HK-103X	C CAPACITOR	0.01uF 50V K	1	
	C729	NCJ11EK-106X-R	C CAPACITOR	10uF 25V	1	
	C731	NCB21CK-104X	C CAPACITOR	0.1uF 16V K	1	
	C733	NCB10JK-106X-A	C CAPACITOR	10uF 6.3V K	1	
	C788	NCB31HK-103X	C CAPACITOR	0.01uF 50V K	1	
	C794	NDC31HJ-2R0X	C CAPACITOR	2pF 50V J	1	
	C891	NCB31CK-104X	C CAPACITOR	0.1uF 16V	1	
	C901	QEZ0934-338	E CAPACITOR	3300uF	1	
	C902	NCB31EK-474X	C CAPACITOR	0.47uF 25V K	1	
	C903	QEKJ1CM-476Z	E CAPACITOR	47uF 16V M	1	
	C904	QEKJ1CM-476Z	E CAPACITOR	47uF 16V M	1	
	C905	NCB31CK-104X	C CAPACITOR	0.1uF 16V	1	
	C906	QEKJ1CM-107Z	E CAPACITOR	100uF 16V M	1	
	C907	QERF0JM-337Z	E CAPACITOR	330uF 6.3V M	1	
	C910	QEKJ1EM-106Z	E CAPACITOR	10uF 25V M	1	
	C912	NCB31CK-104X	C CAPACITOR	0.1uF 16V	1	
	C913	QERF0JM-337Z	E CAPACITOR	330uF 6.3V M	1	
	C916	NDC31HJ-101X	C CAPACITOR	100pF 50V J	1	
	C917	NDC31HJ-101X	C CAPACITOR	100pF 50V J	1	
	C931	NCB31CK-104X	C CAPACITOR	0.1uF 16V	1	
	C932	QERF0JM-337Z	E CAPACITOR	330uF 6.3V M	1	
	C933	NCB31CK-104X	C CAPACITOR	0.1uF 16V	1	
	C941	NCB31CK-104X	C CAPACITOR	0.1uF 16V	1	
	C954	NCB31CK-104X	C CAPACITOR	0.1uF 16V	1	
	C963	QERF1AM-107Z	E CAPACITOR	100uF 10V M	1	
	C981	NCB10JK-106X-A	C CAPACITOR	10uF 6.3V K	1	
	C983	NCB31HK-682X	C CAPACITOR	6800pF 50V K	1	
	C984	NCB31CK-104X	C CAPACITOR	0.1uF 16V	1	
	C985	NCJ11EK-106X-R	C CAPACITOR	10uF 25V	1	
	C987	NCB10JK-106X-A	C CAPACITOR	10uF 6.3V K	1	
	C989	NCJ11EK-106X-R	C CAPACITOR	10uF 25V	1	
	C990	NCB31HK-104X	C CAPACITOR	0.1uF 50V K	1	
	C991	NCB31HK-103X	C CAPACITOR	0.01uF 50V K	1	
	C993	NCB31HK-103X	C CAPACITOR	0.01uF 50V K	1	
	C994	NCB31HK-103X	C CAPACITOR	0.01uF 50V K	1	
	C995	NCJ11EK-106X-R	C CAPACITOR	10uF 25V	1	
	C996	NCJ11EK-106X-R	C CAPACITOR	10uF 25V	1	
	C997	NCB31HK-103X	C CAPACITOR	0.01uF 50V K	1	
	R1	NRSA63J-684X	MG RESISTOR	680kΩ 1/16W J	1	
	R2	NRSA63J-684X	MG RESISTOR	680kΩ 1/16W J	1	
	R4	NRSA63J-472X	MG RESISTOR	4.7kΩ 1/16W J	1	
	R6	NRSA63J-221X	MG RESISTOR	220Ω 1/16W J	1	

MODEL	MARK
KDC-200U	

Safe	Symbol No.	Parts No.	Parts Name	Description	QTY	Local
	R7	NRSA63J-221X	MG RESISTOR	220Ω 1/16W J	1	
	R8	NRS181J-220X	MG RESISTOR	22Ω 1/8W J	1	
	R12	NRS181J-0R0X	MG RESISTOR	0Ω 1/8W J	1	
	R82	NRSA63J-101X	MG RESISTOR	100Ω 1/16W J	1	
	R101	NRSA63J-473X	MG RESISTOR	47kΩ 1/16W J	1	
	R111	NRSA63J-473X	MG RESISTOR	47kΩ 1/16W J	1	
	R112	NRSA63J-471X	MG RESISTOR	470Ω 1/16W J	1	
	R161	NRSA63J-103X	MG RESISTOR	10kΩ 1/16W J	1	
	R162	NRS181J-0R0X	MG RESISTOR	0Ω 1/8W J	1	
	R163	NRSA63J-101X	MG RESISTOR	100Ω 1/16W J	1	
	R165	NRSA63J-101X	MG RESISTOR	100Ω 1/16W J	1	
	R167	NRS181J-222X	MG RESISTOR	2.2kΩ 1/8W J	1	
	R168	NRS181J-0R0X	MG RESISTOR	0Ω 1/8W J	1	
	R302	NRSA63J-473X	MG RESISTOR	47kΩ 1/16W J	1	
	R304	NRSA63J-0R0X	MG RESISTOR	0Ω 1/10W J	1	
	R307	NRSA63J-0R0X	MG RESISTOR	0Ω 1/10W J	1	
	R310	NRS181J-100X	MG RESISTOR	10Ω 1/8W J	1	
	R320	NRSA63J-331X	MG RESISTOR	330Ω 1/16W J	1	
	R321	NRSA63J-223X	MG RESISTOR	22kΩ 1/16W J	1	
	R322	NRSA63J-181X	MG RESISTOR	180Ω 1/16W J	1	
	R323	NRSA63J-0R0X	MG RESISTOR	0Ω 1/10W J	1	
	R330	NRSA63J-331X	MG RESISTOR	330Ω 1/16W J	1	
	R331	NRSA63J-223X	MG RESISTOR	22kΩ 1/16W J	1	
	R332	NRSA63J-181X	MG RESISTOR	180Ω 1/16W J	1	
	R333	NRSA63J-0R0X	MG RESISTOR	0Ω 1/10W J	1	
	R335	NRSA63J-0R0X	MG RESISTOR	0Ω 1/10W J	1	
	R357	NRSA63J-472X	MG RESISTOR	4.7kΩ 1/16W J	1	
	R358	NRSA63J-472X	MG RESISTOR	4.7kΩ 1/16W J	1	
	R361	NRSA63J-0R0X	MG RESISTOR	0Ω 1/10W J	1	
	R362	NRSA63J-0R0X	MG RESISTOR	0Ω 1/10W J	1	
	R363	NRSA63J-0R0X	MG RESISTOR	0Ω 1/10W J	1	
	R364	NRSA63J-0R0X	MG RESISTOR	0Ω 1/10W J	1	
	R400	NRS181J-0R0X	MG RESISTOR	0Ω 1/8W J	1	
	R401	NRS181J-0R0X	MG RESISTOR	0Ω 1/8W J	1	
	R402	NRSA63J-0R0X	MG RESISTOR	0Ω 1/10W J	1	
	R403	NRS181J-0R0X	MG RESISTOR	0Ω 1/8W J	1	
	R405	NRSA63J-100X	MG RESISTOR	10Ω 1/16W J	1	
	R406	NRS181J-0R0X	MG RESISTOR	0Ω 1/8W J	1	
	R407	NRSA63J-0R0X	MG RESISTOR	0Ω 1/10W J	1	
	R408	NRS181J-0R0X	MG RESISTOR	0Ω 1/8W J	1	
	R409	NRSA63J-0R0X	MG RESISTOR	0Ω 1/10W J	1	
	R410	NRSA63J-0R0X	MG RESISTOR	0Ω 1/10W J	1	
	R411	NRS181J-0R0X	MG RESISTOR	0Ω 1/8W J	1	
	R412	NRS181J-0R0X	MG RESISTOR	0Ω 1/8W J	1	
	R413	NRS181J-0R0X	MG RESISTOR	0Ω 1/8W J	1	
	R414	NRS181J-0R0X	MG RESISTOR	0Ω 1/8W J	1	
	R415	NRS181J-0R0X	MG RESISTOR	0Ω 1/8W J	1	
	R416	NRS181J-0R0X	MG RESISTOR	0Ω 1/8W J	1	
	R417	NRS181J-0R0X	MG RESISTOR	0Ω 1/8W J	1	
	R418	NRS181J-0R0X	MG RESISTOR	0Ω 1/8W J	1	
	R419	NRS181J-0R0X	MG RESISTOR	0Ω 1/8W J	1	
	R420	NRSA63J-0R0X	MG RESISTOR	0Ω 1/10W J	1	
	R422	NRS181J-220X	MG RESISTOR	22Ω 1/8W J	1	
	R423	NRS181J-0R0X	MG RESISTOR	0Ω 1/8W J	1	
	R424	NRS181J-0R0X	MG RESISTOR	0Ω 1/8W J	1	
	R425	NRSA63J-0R0X	MG RESISTOR	0Ω 1/10W J	1	
	R427	NRS181J-0R0X	MG RESISTOR	0Ω 1/8W J	1	
	R428	NRS181J-0R0X	MG RESISTOR	0Ω 1/8W J	1	
	R429	NRSA63J-0R0X	MG RESISTOR	0Ω 1/10W J	1	
	R430	NRS181J-0R0X	MG RESISTOR	0Ω 1/8W J	1	
	R431	NRS181J-0R0X	MG RESISTOR	0Ω 1/8W J	1	
	R432	NRS181J-0R0X	MG RESISTOR	0Ω 1/8W J	1	
	R433	NRS181J-0R0X	MG RESISTOR	0Ω 1/8W J	1	
	R434	NRS181J-0R0X	MG RESISTOR	0Ω 1/8W J	1	
	R435	NRSA63J-0R0X	MG RESISTOR	0Ω 1/10W J	1	
	R436	NRSA63J-0R0X	MG RESISTOR	0Ω 1/10W J	1	
	R437	NRSA63J-0R0X	MG RESISTOR	0Ω 1/10W J	1	
	R438	NRS181J-0R0X	MG RESISTOR	0Ω 1/8W J	1	
	R439	NRS181J-0R0X	MG RESISTOR	0Ω 1/8W J	1	
	R440	NRS181J-0R0X	MG RESISTOR	0Ω 1/8W J	1	
	R441	NRS181J-0R0X	MG RESISTOR	0Ω 1/8W J	1	
	R442	NRSA63J-0R0X	MG RESISTOR	0Ω 1/10W J	1	
	R443	NRS181J-0R0X	MG RESISTOR	0Ω 1/8W J	1	
	R444	NRS181J-0R0X	MG RESISTOR	0Ω 1/8W J	1	
	R446	NRSA63J-0R0X	MG RESISTOR	0Ω 1/10W J	1	
	R447	NRS181J-0R0X	MG RESISTOR	0Ω 1/8W J	1	
	R448	NRS181J-0R0X	MG RESISTOR	0Ω 1/8W J	1	
	R450	NRSA63J-0R0X	MG RESISTOR	0Ω 1/10W J	1	
	R451	NRS181J-0R0X	MG RESISTOR	0Ω 1/8W J	1	
	R452	NRS181J-0R0X	MG RESISTOR	0Ω 1/8W J	1	
	R454	NRS181J-0R0X	MG RESISTOR	0Ω 1/8W J	1	
	R455	NRS181J-0R0X	MG RESISTOR	0Ω 1/8W J	1	
	R456	NRSA63J-0R0X	MG RESISTOR	0Ω 1/10W J	1	
	R457	NRS181J-0R0X	MG RESISTOR	0Ω 1/8W J	1	
	R458	NRS181J-0R0X	MG RESISTOR	0Ω 1/8W J	1	
	R459	NRSA63J-0R0X	MG RESISTOR	0Ω 1/10W J	1	
	R460	NRS181J-0R0X	MG RESISTOR	0Ω 1/8W J	1	
	R461	NRSA63J-0R0X	MG RESISTOR	0Ω 1/10W J	1	
	R462	NRSA02J-0R0X	MG RESISTOR	0Ω 1/10W J	1	
	R463	NRSA63J-0R0X	MG RESISTOR	0Ω 1/10W J	1	
	R464	NRS181J-0R0X	MG RESISTOR	0Ω 1/8W J	1	
	R465	NRSA63J-0R0X	MG RESISTOR	0Ω 1/10W J	1	

MODEL	MARK
KDC-200U	

Safe	Symbol No.	Parts No.	Parts Name	Description	QTY	Local
	R467	NRS181J-0R0X	MG RESISTOR	0Ω 1/8W J	1	
	R469	NRS181J-0R0X	MG RESISTOR	0Ω 1/8W J	1	
	R470	NRS181J-0R0X	MG RESISTOR	0Ω 1/8W J	1	
	R471	NRSA63J-0R0X	MG RESISTOR	0Ω 1/10W J	1	
	R472	NRSA63J-0R0X	MG RESISTOR	0Ω 1/10W J	1	
	R474	NRS181J-0R0X	MG RESISTOR	0Ω 1/8W J	1	
	R477	NRSA63J-0R0X	MG RESISTOR	0Ω 1/10W J	1	
	R478	NRS181J-0R0X	MG RESISTOR	0Ω 1/8W J	1	
	R479	NRSA63J-0R0X	MG RESISTOR	0Ω 1/10W J	1	
	R481	NRSA63J-0R0X	MG RESISTOR	0Ω 1/10W J	1	
	R482	NRSA63J-0R0X	MG RESISTOR	0Ω 1/10W J	1	
	R485	NRS181J-0R0X	MG RESISTOR	0Ω 1/8W J	1	
	R488	NRSA63J-0R0X	MG RESISTOR	0Ω 1/10W J	1	
	R490	NRSA63J-0R0X	MG RESISTOR	0Ω 1/10W J	1	
	R495	NRS181J-0R0X	MG RESISTOR	0Ω 1/8W J	1	
	R496	NRSA63J-0R0X	MG RESISTOR	0Ω 1/10W J	1	
	R497	NRS181J-0R0X	MG RESISTOR	0Ω 1/8W J	1	
	R498	NRS181J-0R0X	MG RESISTOR	0Ω 1/8W J	1	
	R501	NRSA63J-114X	MG RESISTOR	110kΩ 1/16W J	1	
	R502	NRS181J-0R0X	MG RESISTOR	0Ω 1/8W J	1	
	R503	NRS181J-0R0X	MG RESISTOR	0Ω 1/8W J	1	
	R504	NRSA63J-274X	MG RESISTOR	270kΩ 1/16W J	1	
	R505	NRSA63J-104X	MG RESISTOR	100kΩ 1/16W J	1	
	R506	NRSA63J-303X	MG RESISTOR	30kΩ 1/16W J	1	
	R507	NRSA63J-563X	MG RESISTOR	56kΩ 1/16W J	1	
	R508	NRSA63J-0R0X	MG RESISTOR	0Ω 1/10W J	1	
	R509	NRSA63J-0R0X	MG RESISTOR	0Ω 1/10W J	1	
	R510	NRSA63J-473X	MG RESISTOR	47kΩ 1/16W J	1	
	R511	NRSA63J-133X	MG RESISTOR	13kΩ 1/16W J	1	
	R512	NRSA63J-0R0X	MG RESISTOR	0Ω 1/10W J	1	
	R513	NRSA63J-0R0X	MG RESISTOR	0Ω 1/10W J	1	
	R516	NRSA63J-333X	MG RESISTOR	33kΩ 1/16W J	1	
	R518	NRSA63J-0R0X	MG RESISTOR	0Ω 1/10W J	1	
	R519	NRSA63J-333X	MG RESISTOR	33kΩ 1/16W J	1	
	R530	NRS181J-0R0X	MG RESISTOR	0Ω 1/8W J	1	
	R534	NRS181J-473X	MG RESISTOR	47kΩ 1/8W J	1	
	R540	NRSA63J-221X	MG RESISTOR	220Ω 1/16W J	1	
	R545	NRSA63J-225X	MG RESISTOR	2.2MΩ 1/16W J	1	
	R547	NRSA63J-4R7X	MG RESISTOR	4.7Ω 1/16W J	1	
	R548	NRSA63J-104X	MG RESISTOR	100kΩ 1/16W J	1	
	R549	NRSA63J-102X	MG RESISTOR	1kΩ 1/16W J	1	
	R550	NRSA63J-472X	MG RESISTOR	4.7kΩ 1/16W J	1	
	R553	NRSA63J-473X	MG RESISTOR	47kΩ 1/16W J	1	
	R554	NRSA02J-4R7X	MG RESISTOR	4.7Ω 1/10W J	1	
	R555	NRSA02J-4R7X	MG RESISTOR	4.7Ω 1/10W J	1	
	R556	NRSA63J-0R0X	MG RESISTOR	0Ω 1/10W J	1	
	R557	NRSA63J-471X	MG RESISTOR	470Ω 1/16W J	1	
	R558	NRSA63J-105X	MG RESISTOR	1MΩ 1/16W J	1	
	R559	NRSA63J-101X	MG RESISTOR	100Ω 1/16W J	1	
	R560	NRSA63J-101X	MG RESISTOR	100Ω 1/16W J	1	
	R561	NRSA63J-101X	MG RESISTOR	100Ω 1/16W J	1	
	R562	NRS181J-101X	MG RESISTOR	100Ω 1/8W J	1	
	R563	NRS181J-101X	MG RESISTOR	100Ω 1/8W J	1	
	R564	NRS181J-101X	MG RESISTOR	100Ω 1/8W J	1	
	R565	NRSA63J-103X	MG RESISTOR	10kΩ 1/16W J	1	
	R566	NRSA63J-103X	MG RESISTOR	10kΩ 1/16W J	1	
	R567	NRS181J-101X	MG RESISTOR	100Ω 1/8W J	1	
	R568	NRS181J-101X	MG RESISTOR	100Ω 1/8W J	1	
	R569	NRS181J-101X	MG RESISTOR	100Ω 1/8W J	1	
	R570	NRS181J-101X	MG RESISTOR	100Ω 1/8W J	1	
	R571	NRSA63J-103X	MG RESISTOR	10kΩ 1/16W J	1	
	R572	NRSA63J-104X	MG RESISTOR	100kΩ 1/16W J	1	
	R573	NRSA63J-334X	MG RESISTOR	330kΩ 1/16W J	1	
	R574	NRSA63J-153X	MG RESISTOR	15kΩ 1/16W J	1	
	R575	NRS181J-332X	MG RESISTOR	3.3kΩ 1/8W J	1	
	R576	NRSA63J-103X	MG RESISTOR	10kΩ 1/16W J	1	
	R577	NRSA63J-103X	MG RESISTOR	10kΩ 1/16W J	1	
	R595	NRSA63J-202X	MG RESISTOR	2kΩ 1/16W J	1	
	R596	NRSA63J-202X	MG RESISTOR	2kΩ 1/16W J	1	
	R701	NRS181J-472X	MG RESISTOR	4.7kΩ 1/8W J	1	
	R702	NRSA63J-222X	MG RESISTOR	2.2kΩ 1/16W J	1	
	R703	NRSA63J-911X	MG RESISTOR	910Ω 1/16W J	1	
	R704	NRSA63J-911X	MG RESISTOR	910Ω 1/16W J	1	
	R706	NRSA63J-911X	MG RESISTOR	910Ω 1/16W J	1	
	R708	NRSA63J-101X	MG RESISTOR	100Ω 1/16W J	1	
	R709	NRS181J-911X	MG RESISTOR	910Ω 1/8W J	1	
	R712	NRS181J-911X	MG RESISTOR	910Ω 1/8W J	1	
	R713	NRSA63J-101X	MG RESISTOR	100Ω 1/16W J	1	
	R715	NRSA63J-101X	MG RESISTOR	100Ω 1/16W J	1	
	R718	NRS181J-473X	MG RESISTOR	47kΩ 1/8W J	1	
	R720	NRSA63J-473X	MG RESISTOR	47kΩ 1/16W J	1	
	R721	NRSA63J-105X	MG RESISTOR	1MΩ 1/16W J	1	
	R722	NRSA63J-473X	MG RESISTOR	47kΩ 1/16W J	1	
	R723	NRSA63J-473X	MG RESISTOR	47kΩ 1/16W J	1	
	R725	NRS181J-473X	MG RESISTOR	47kΩ 1/8W J	1	
	R726	NRSA63J-473X	MG RESISTOR	47kΩ 1/16W J	1	
	R727	NRSA63J-473X	MG RESISTOR	47kΩ 1/16W J	1	
	R728	NRSA63J-473X	MG RESISTOR	47kΩ 1/16W J	1	
	R730	NRSA63J-473X	MG RESISTOR	47kΩ 1/16W J	1	
	R731	NRSA63J-473X	MG RESISTOR	47kΩ 1/16W J	1	
	R732	NRSA63J-101X	MG RESISTOR	100Ω 1/16W J	1	
	R733	NRSA63J-0R0X	MG RESISTOR	0Ω 1/10W J	1	
	R735	NRSA63J-473X	MG RESISTOR	47kΩ 1/16W J	1	

MODEL	MARK
KDC-200U	

Safe	Symbol No.	Parts No.	Parts Name	Description	QTY	Local
	R736	NRS181J-473X	MG RESISTOR	47kΩ 1/8W J	1	
	R737	NRSA63J-911X	MG RESISTOR	910Ω 1/16W J	1	
	R738	NRSA63J-222X	MG RESISTOR	2.2kΩ 1/16W J	1	
	R739	NRSA63J-103X	MG RESISTOR	10kΩ 1/16W J	1	
	R740	NRSA63J-103X	MG RESISTOR	10kΩ 1/16W J	1	
	R741	NRSA63J-103X	MG RESISTOR	10kΩ 1/16W J	1	
	R742	NRSA63J-473X	MG RESISTOR	47kΩ 1/16W J	1	
	R743	NRSA63J-473X	MG RESISTOR	47kΩ 1/16W J	1	
	R744	NRSA63J-473X	MG RESISTOR	47kΩ 1/16W J	1	
	R745	NRSA63J-101X	MG RESISTOR	100Ω 1/16W J	1	
	R746	NRSA63J-473X	MG RESISTOR	47kΩ 1/16W J	1	
	R747	NRS181J-243X	MG RESISTOR	24kΩ 1/8W J	1	
	R749	NRSA63J-332X	MG RESISTOR	3.3kΩ 1/16W J	1	
	R750	NRSA63J-332X	MG RESISTOR	3.3kΩ 1/16W J	1	
	R751	NRSA63J-223X	MG RESISTOR	22kΩ 1/16W J	1	
	R753	NRSA63J-332X	MG RESISTOR	3.3kΩ 1/16W J	1	
	R754	NRSA63J-332X	MG RESISTOR	3.3kΩ 1/16W J	1	
	R757	NRSA63J-104X	MG RESISTOR	100kΩ 1/16W J	1	
	R758	NRSA63J-104X	MG RESISTOR	100kΩ 1/16W J	1	
	R759	NRSA63J-473X	MG RESISTOR	47kΩ 1/16W J	1	
	R763	NRSA63J-473X	MG RESISTOR	47kΩ 1/16W J	1	
	R765	NRSA63J-273X	MG RESISTOR	27kΩ 1/16W J	1	
	R766	NRSA63J-473X	MG RESISTOR	47kΩ 1/16W J	1	
	R767	NRSA63J-223X	MG RESISTOR	22kΩ 1/16W J	1	
	R768	NRSA63J-473X	MG RESISTOR	47kΩ 1/16W J	1	
	R770	NRSA63J-472X	MG RESISTOR	4.7kΩ 1/16W J	1	
	R771	NRSA63J-472X	MG RESISTOR	4.7kΩ 1/16W J	1	
	R772	NRS181J-472X	MG RESISTOR	4.7kΩ 1/8W J	1	
	R773	NRSA63J-472X	MG RESISTOR	4.7kΩ 1/16W J	1	
	R774	NRSA63J-472X	MG RESISTOR	4.7kΩ 1/16W J	1	
	R775	NRSA63J-153X	MG RESISTOR	15kΩ 1/16W J	1	
	R776	NRSA63J-153X	MG RESISTOR	15kΩ 1/16W J	1	
	R777	NRSA63J-102X	MG RESISTOR	1kΩ 1/16W J	1	
	R778	NRSA63J-271X	MG RESISTOR	270Ω 1/16W J	1	
	R779	NRSA63J-271X	MG RESISTOR	270Ω 1/16W J	1	
	R780	NRSA63J-473X	MG RESISTOR	47kΩ 1/16W J	1	
	R781	NRSA63J-331X	MG RESISTOR	330Ω 1/16W J	1	
	R782	NRSA63J-821X	MG RESISTOR	820Ω 1/16W J	1	
	R783	NRSA63J-104X	MG RESISTOR	100kΩ 1/16W J	1	
	R784	NRSA63J-103X	MG RESISTOR	10kΩ 1/16W J	1	
	R785	NRSA63J-563X	MG RESISTOR	56kΩ 1/16W J	1	
	R786	NRSA63J-103X	MG RESISTOR	10kΩ 1/16W J	1	
	R789	NRSA63J-270X	MG RESISTOR	27Ω 1/16W J	1	
	R790	NRSA63J-270X	MG RESISTOR	27Ω 1/16W J	1	
	R793	NRS181J-0R0X	MG RESISTOR	0Ω 1/8W J	1	
	R794	NRSA63J-300X	MG RESISTOR	30Ω 1/16W J	1	
	R795	NRSA63J-103X	MG RESISTOR	10kΩ 1/16W J	1	
	R796	NRSA63J-103X	MG RESISTOR	10kΩ 1/16W J	1	
	R891	NRSA63J-103X	MG RESISTOR	10kΩ 1/16W J	1	
	R892	NRSA63J-683X	MG RESISTOR	68kΩ 1/16W J	1	
	R893	NRS181J-123X	MG RESISTOR	12kΩ 1/8W J	1	
	R894	NRS181J-0R0X	MG RESISTOR	0Ω 1/8W J	1	
	R901	QRE141J-103Y	C RESISTOR	10kΩ 1/4W J	1	
	R902	QRE141J-392Y	C RESISTOR	3.9kΩ 1/4W J	1	
	R906	NRSA63J-562X	MG RESISTOR	5.6kΩ 1/16W J	1	
	R907	NRSA63J-155X	MG RESISTOR	1.5MΩ 1/16W J	1	
	R908	NRSA63J-472X	MG RESISTOR	4.7kΩ 1/16W J	1	
	R909	NRSA63J-273X	MG RESISTOR	27kΩ 1/16W J	1	
	R941	NRS181J-472X	MG RESISTOR	4.7kΩ 1/8W J	1	
	R951	NRSA63J-102X	MG RESISTOR	1kΩ 1/16W J	1	
	R952	NRSA63J-331X	MG RESISTOR	330Ω 1/16W J	1	
	R965	NRS181J-103X	MG RESISTOR	10kΩ 1/8W J	1	
	R970	NRSA63J-473X	MG RESISTOR	47kΩ 1/16W J	1	
	R971	NRSA63J-103X	MG RESISTOR	10kΩ 1/16W J	1	
	R972	NRSA63J-103X	MG RESISTOR	10kΩ 1/16W J	1	
	R973	NRSA63J-203X	MG RESISTOR	20kΩ 1/16W J	1	
	R974	NRSA63J-473X	MG RESISTOR	47kΩ 1/16W J	1	
	R975	NRSA02J-473X	MG RESISTOR	47kΩ 1/10W J	1	
	R976	NRSA02J-683X	MG RESISTOR	68kΩ 1/10W J	1	
	R981	NRSA63D-913X	MG RESISTOR	91kΩ 1/16W D	1	
	R982	NRSA63D-273X	MG RESISTOR	27kΩ 1/16W D	1	
	R983	NRSA63J-472X	MG RESISTOR	4.7kΩ 1/16W J	1	
	R986	NRSA63D-114X	MG RESISTOR	110kΩ 1/16W D	1	
	L1	NQL093K-R47X	PEAKING COIL	0.47uH K	1	
	L2	NQL093K-1R8X	PEAKING COIL	1.8uH K	1	
	L3	NQL093K-R27X	PEAKING COIL	0.27uH K	1	
	L4	QQR1872-001	RF COIL		1	
	L5	QQL244J-561Z	INDUCTOR	560uH J	1	
	L6	QQL244J-561Z	INDUCTOR	560uH J	1	
	L7	NQL79GM-4R7X	INDUCTOR	4.7uH M	1	
	L8	NQL093K-4R7X	PEAKING COIL	4.7uH K	1	
	L9	NQL093K-R47X	PEAKING COIL	0.47uH K	1	
	L10	NQL103J-10NX	INDUCTOR	10nH J	1	
	L11	NQR0251-002X	FERRITE BEADS		1	
	L12	NQR0251-002X	FERRITE BEADS		1	
	L161	NQL553J-27NX	INDUCTOR	27nH J	1	
	L531	NQR0154-006X	FERRITE BEADS		1	
	L561	NQR0154-006X	FERRITE BEADS		1	
	L562	NQR0154-006X	FERRITE BEADS		1	
	L563	NQR0154-006X	FERRITE BEADS		1	
	L564	NQR0154-006X	FERRITE BEADS		1	
	L565	NQR0154-006X	FERRITE BEADS		1	

MODEL	MARK
KDC-200U	

Safe	Symbol No.	Parts No.	Parts Name	Description	QTY	Local
	L701	NQL79GM-4R7X	INDUCTOR	4.7uH M	1	
	L703	NQR0154-006X	FERRITE BEADS		1	
	L901	QQR1882-001	CHOKE COIL		1	
	L981	QQL92AK-220Z	INDUCTOR	22uH K	1	
	L982	NQLH25M-4R7X	INDUCTOR	4.7uH M	1	
	CN502	QGF1040F1-26	CONNECTOR	FFC/FPC (1-26)	1	
	CN701	QGZ1102J1-20	CONNECTOR	(1-20)	1	
	CN901	QNZ0607-001	CAR CONNECTOR		1	
	J1	QNB0358-001	ANT TERMINAL		1	
	J321	QNN0874-001	PIN JACK		1	
	S701	QSW0648-001Z	TACT SWITCH		1	
	X1	QAX0952-001Z	CRYSTAL		1	
	X540	QAX0929-001Z	C RESONATOR		1	
	X701	QAX0966-001Z	CRYSTAL		1	
	X702	QAX0401-001	CRYSTAL	32.768KHz	1	
SWITCH UNIT (X16-7470-10) <X16>						
	IC601	BU9755KV-X	INTEGRATED CIRCUIT		1	
	IC602	KSM-2003TN5B	(MOS-IC)		1	
	Q621	LTA014EUB-X	IR SENSOR		1	
	D601	RKZ5.1B2KG-X	DIGI TRANSISTOR		1	
	D602	RKZ5.1B2KG-X	ZENER DIODE		1	
	D603	RKZ5.1B2KG-X	ZENER DIODE		1	
	D604	RKZ5.1B2KG-X	ZENER DIODE		1	
	D605	RKZ5.1B2KG-X	ZENER DIODE		1	
	D606	RKZ5.1B2KG-X	ZENER DIODE		1	
	D607	RKZ5.1B2KG-X	ZENER DIODE		1	
	D608	RKZ5.1B2KG-X	ZENER DIODE		1	
	D611	RKZ5.1B2KG-X	ZENER DIODE		1	
	D612	RKZ5.1B2KG-X	ZENER DIODE		1	
	D641	RKZ5.1B2KG-X	ZENER DIODE		1	
	D642	RKZ5.1B2KG-X	ZENER DIODE		1	
	D651	CL-195SR-CD-X	LED		1	
	D652	SML-D12D8W-X	LED		1	
	D653	SML-D12D8W-X	LED		1	
	D654	SML-D12D8W-X	LED		1	
	D659	SML-D12D8W-X	LED		1	
	D663	SML-D12D8W-X	LED		1	
	D664	SML-D12D8W-X	LED		1	
	D667	SML-D12D8W-X	LED		1	
	D671	SML-D12D8W-X	LED		1	
	D674	SML-D12D8W-X	LED		1	
	D676	SML-D12D8W-X	LED		1	
	D677	SML-D12D8W-X	LED		1	
	D678	SML-D12D8W-X	LED		1	
	D679	SML-D12D8W-X	LED		1	
	D691	RKZ2.4BKX-X	ZENER DIODE		1	
	D692	RKZ2.4BKX-X	ZENER DIODE		1	
	C601	NCB31HK-472X	C CAPACITOR	4700pF 50V K	1	
	C602	NCB31HK-472X	C CAPACITOR	4700pF 50V K	1	
	C611	NCB30JK-105X	C CAPACITOR	1uF 6.3V K	1	
	C612	NCB31CK-104X	C CAPACITOR	0.1uF 16V	1	
	C613	NCB31HK-471X	C CAPACITOR	470pF 50V K	1	
	C614	NCB31HK-471X	C CAPACITOR	470pF 50V K	1	
	C615	NCB31HK-471X	C CAPACITOR	470pF 50V K	1	
	C616	NCB31HK-471X	C CAPACITOR	470pF 50V K	1	
	C617	NCB31HK-103X	C CAPACITOR	0.01uF 50V K	1	
	C621	NCB31CK-104X	C CAPACITOR	0.1uF 16V	1	
	C641	NDC31HJ-270X	C CAPACITOR	27pF 50V J	1	
	C642	NDC31HJ-270X	C CAPACITOR	27pF 50V J	1	
	C643	NCJ11EK-106X-R	C CAPACITOR	10uF 25V	1	
	C644	NCB31HK-472X	C CAPACITOR	4700pF 50V K	1	
	R601	NRSA63J-0R0X	MG RESISTOR	0Ω 1/10W J	1	
	R607	NRS181J-0R0X	MG RESISTOR	0Ω 1/8W J	1	
	R611	NRSA63J-473X	MG RESISTOR	47kΩ 1/16W J	1	
	R612	NRSA63J-221X	MG RESISTOR	220Ω 1/16W J	1	
	R613	NRSA63J-102X	MG RESISTOR	1kΩ 1/16W J	1	
	R614	NRSA63J-472X	MG RESISTOR	4.7kΩ 1/16W J	1	
	R615	NRSA63J-4R7X	MG RESISTOR	4.7Ω 1/16W J	1	
	R616	NRSA63J-101X	MG RESISTOR	100Ω 1/16W J	1	
	R617	NRSA63J-101X	MG RESISTOR	100Ω 1/16W J	1	
	R622	NRS181J-0R0X	MG RESISTOR	0Ω 1/8W J	1	
	R623	NRS181J-0R0X	MG RESISTOR	0Ω 1/8W J	1	
	R643	NRSA63J-103X	MG RESISTOR	10kΩ 1/16W J	1	
	R644	NRSA63J-0R0X	MG RESISTOR	0Ω 1/10W J	1	
	R645	NRSA63J-0R0X	MG RESISTOR	0Ω 1/10W J	1	
	R646	NRSA63J-0R0X	MG RESISTOR	0Ω 1/10W J	1	
	R651	NRS181J-102X	MG RESISTOR	1kΩ 1/8W J	1	
	R655	NRS181J-561X	MG RESISTOR	560Ω 1/8W J	1	
	R656	NRS181J-911X	MG RESISTOR	910Ω 1/8W J	1	
	R657	NRS181J-751X	MG RESISTOR	750Ω 1/8W J	1	
	R661	NRS181J-751X	MG RESISTOR	750Ω 1/8W J	1	
	R663	NRS181J-681X	MG RESISTOR	680Ω 1/8W J	1	
	R665	NRS181J-621X	MG RESISTOR	620Ω 1/8W J	1	
	R667	NRS181J-621X	MG RESISTOR	620Ω 1/8W J	1	
	R669	NRS181J-621X	MG RESISTOR	620Ω 1/8W J	1	
	R672	NRS181J-621X	MG RESISTOR	620Ω 1/8W J	1	
	R674	NRS181J-511X	MG RESISTOR	510Ω 1/8W J	1	
	R675	NRS181J-102X	MG RESISTOR	1kΩ 1/8W J	1	
	R676	NRS181J-561X	MG RESISTOR	560Ω 1/8W J	1	
	R684	NRS181J-102X	MG RESISTOR	1kΩ 1/8W J	1	
	R685	NRS181J-102X	MG RESISTOR	1kΩ 1/8W J	1	

MODEL	MARK
KDC-200U	

Safe	Symbol No.	Parts No.	Parts Name	Description	QTY	Local
	R688	NRS181J-0R0X	MG RESISTOR	0Ω 1/8W J	1	
	R692	NRSA63J-0R0X	MG RESISTOR	0Ω 1/10W J	1	
	R694	NRSA63J-0R0X	MG RESISTOR	0Ω 1/10W J	1	
	R696	NRSA63J-0R0X	MG RESISTOR	0Ω 1/10W J	1	
	R698	NRSA63J-0R0X	MG RESISTOR	0Ω 1/10W J	1	
	L601	NQR0007-002X	FERRITE BEADS		1	
	L602	NQR0007-002X	FERRITE BEADS		1	
	L603	NQR0007-002X	FERRITE BEADS		1	
	L611	NQR0502-001X	FERRITE BEADS		1	
	CN601	QGZ1102K2-20X	CONNECTOR	(1-20)	1	
	CN603	QNZ1076-001	USB CONNECTOR		1	
	EN601	QSW1288-001	ROTARY ENCODER		1	
	FL601	3-BT-267N	FL DISPLAY		1	
	J602	QNS0308-001	3.5 JACK		1	
	LF601	NQR0682-001X	CHOKO COIL		1	
	S611	NSW0246-001X	TACT SWITCH		1	
	S612	NSW0246-001X	TACT SWITCH		1	
	S613	NSW0246-001X	TACT SWITCH		1	
	S614	NSW0246-001X	TACT SWITCH		1	
	S615	NSW0246-001X	TACT SWITCH		1	
CD PLAYER UNIT (X32-6530-00) IN CD MECHA <X32>						
	R1	NRSA63J-131X	MG RESISTOR	130Ω 1/16W J	1	
	B1	NRS181J-0R0X	MG RESISTOR	0Ω 1/8W J	1	
	CN101	QGF1044F2-26X	CONNECTOR	FFC/FPC (1-26)	1	
	CN102	QGF0522F3-15W	CONNECTOR	FFC/FPC (1-15)	1	
	SW1	S68-0157-05	PUSH SWITCH		1	
	SW2	S68-0157-05	PUSH SWITCH		1	
	SW3	S68-0157-05	PUSH SWITCH		1	
	SW4	S68-0157-05	PUSH SWITCH		1	