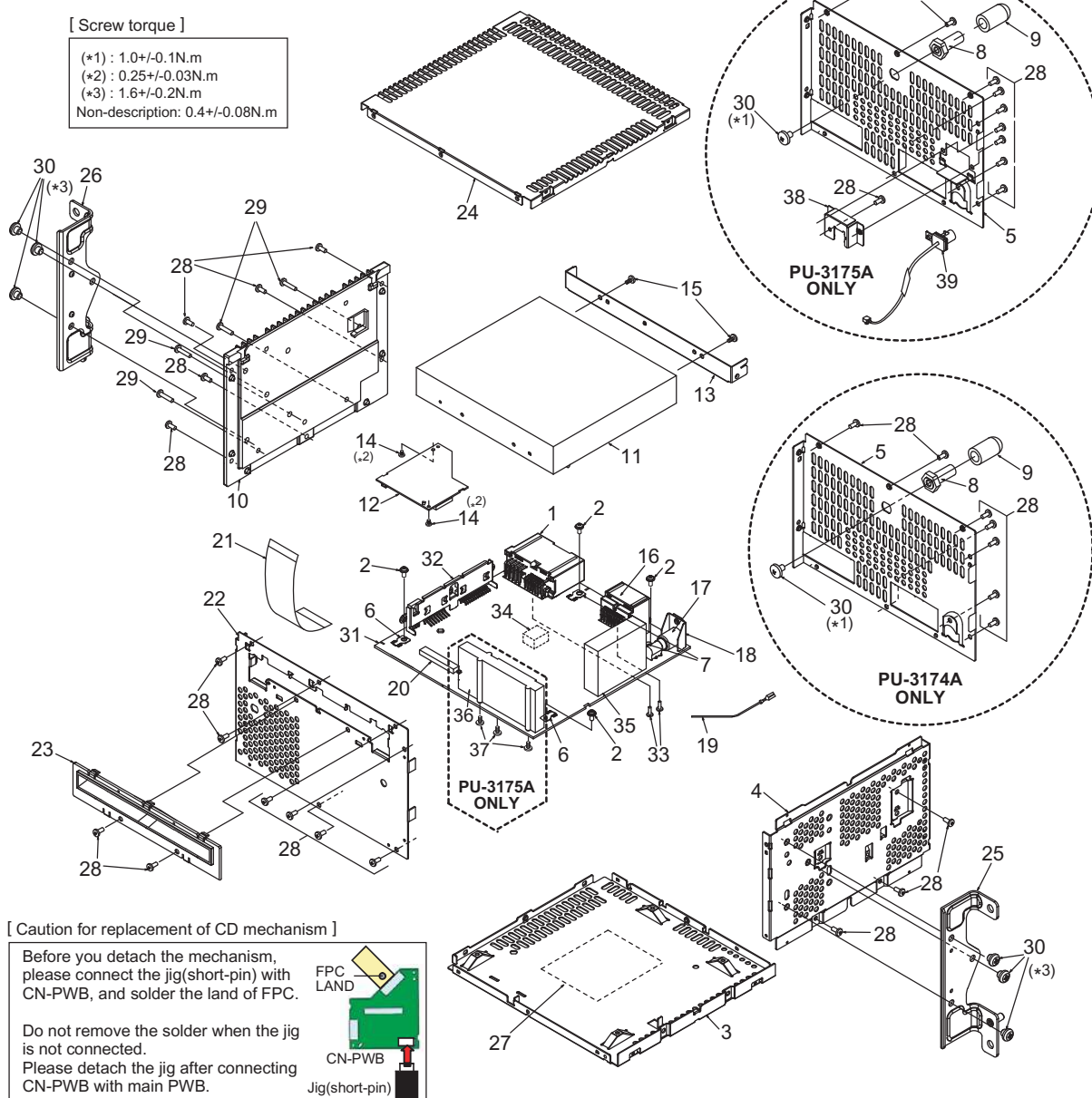


# EXPLODED VIEW/PARTS LIST

[ Screw torque ]

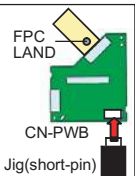
- (\*1) : 1.0+/-0.1N.m
- (\*2) : 0.25+/-0.03N.m
- (\*3) : 1.6+/-0.2N.m
- Non-description: 0.4+/-0.08N.m



[ Caution for replacement of CD mechanism ]

Before you detach the mechanism, please connect the jig(short-pin) with CN-PWB, and solder the land of FPC.

Do not remove the solder when the jig is not connected.  
Please detach the jig after connecting CN-PWB with main PWB.



Note) Some parts depend on each model. The model name is specified in the description.

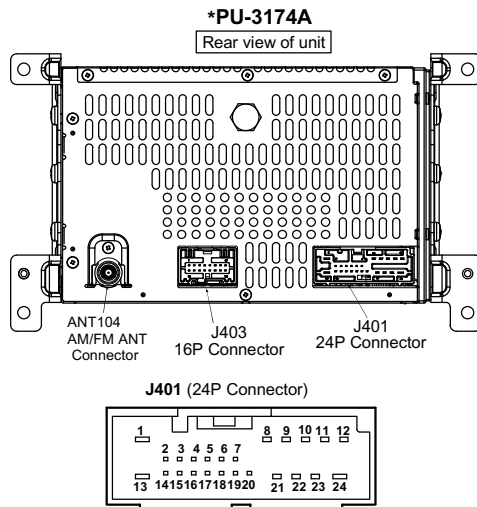
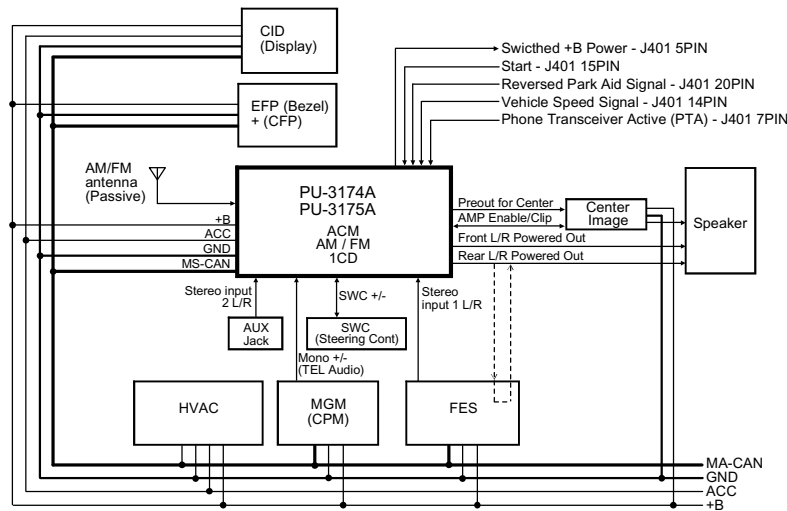
NO.	PART NO.	DESCRIPTION	Q'TY	NO.	PART NO.	DESCRIPTION	Q'TY
1	074-4032-24	OUTLET SOCKET(24P)	1	11	929-5013-81	CD-CHANG-MODULE	1
2	716-0878-50	SCREW(M2.6x5)	4	12	-----	CN PWB	1
3	304-0487-00	LOWER-CVR	1	13	331-4431-10	MECH BRKT	1
4	305-0349-10	SIDE-CVR	1	14	716-1507-01	SCREW(M2x3)	2
5	307-0730-01 307-0728-01	REAR-CVR (PU-3174A) REAR-CVR (PU-3175A)	1	15	714-2603-89	SCREW(M2.6x3)	2
6	073-0762-90	TERMINAL	2	16	074-4032-16	OUTLET SOCKET(16P)	1
7	073-0768-90	TERMINAL	2	17	092-2228-60	ANT-RECEPT	1
8	716-3607-00	REAR BOLT	1	18	331-4433-00	ANT HOLDER	1
9	345-6054-00	RUBBER PART	1	19	840-0544-50	BONDING WIRE	1
10	313-2020-02	HEAT SINK	1	20	074-1237-77	PULG(27P)	1
				21	816-4044-50	FLAT WIRE	1

PU-3174A  
PU-3175A

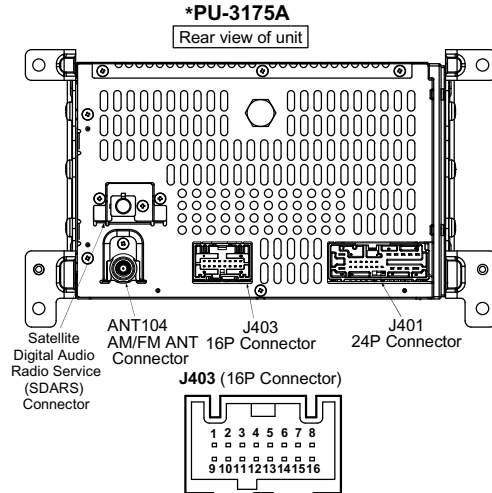
NO.	PART NO.	DESCRIPTION	Q'TY
22	309-0847-02	FRONT PLATE	1
23	335-8124-01	DISC GUIDE	1
24	303-0494-00	UPPER-CVR	1
25	300-8145-01	MTG-BRKT-ASSY (R)	1
26	300-8144-01	MTG-BRKT-ASSY (L)	1
27	276-0647-28 276-0647-29	SETPLATE (PU3174A) SETPLATE (PU3175A)	1
28	714-2606-8B 714-2606-8B	SCREW(M2.6x6) (PU3174A) SCREW(M2.6x6) (PU3175A)	23 26
29	714-2612-8H	SCREW(M2.6x12)	4
30	714-5006-8B	SCREW(M5x6)	7

NO.	PART NO.	DESCRIPTION	Q'TY
31	-----	Main PWB	1
32	331-4432-01	IC HOLDER	1
33	716-3617-00	SCREW(M2.5x6)	1
34	345-6066-00	GASKET	2
35	880-20911	TUNER PACK	1
36	941-0223-03	SDARS TUNER (PU3175A)	1
37	716-3614-00	SCREW (M2.5x5)(PU3175A)	3
38	331-4438-00	CONNECT BRKT (PU3175A)	1
39	855-0617-00	EXT-LEAD (PU3175A)	1

## CONNECTION



Pin No.	Pin Name	Pin No.	Pin Name
1	Battery	13	Power Ground
2	Run/Accessory	14	Vehicle Speed Signal
3	N.C	15	Start
4	N.C	16	N.C
5	Switched B+Power	17	N.C
6	N.C	18	SWC1+
7	Phone Transceiver Active	19	SWC1-
8	LF Speaker(+)	20	Reverse Park Aid Signal
9	LR Speaker(+)	21	LF Speaker(-)
10	RR Speaker(+)	22	LR Speaker(-)
11	RF Speaker(+)	23	RR Speaker(-)
12	RF Speaker(-)	24	Audio Shield



Pin No.	Pin Name	Pin No.	Pin Name
1	Stereo In 1 L(+)	9	Stereo In 1 R(+)
2	Stereo In 1 L(-)	10	Stereo In 1 R(-)
3	Stereo In 1 Audio Shield	11	N.C.
4	Phone Mono(+)	12	Stereo In 2 Audio Shield
5	Phone Mono(-)	13	Mono Audio Shield
6	Stereo In 2 R(+)	14	Stereo In 2 R(-)
7	Stereo In 2 L(+)	15	MS-CAN_H
8	Stereo In 2 L(-)	16	MS-CAN_L

# ELECTRICAL PARTS LIST

Main PWB(B1) section

Note) Some parts depend on each model. The model name is specified in the description.

REF No.	PART No.	DESCRIPTION	REF No.	PART No.	DESCRIPTION	REF No.	PART No.	DESCRIPTION
ANT104	092-2228-60	ANT-RECEPT	C238	042-4021-92	6.3V 330uF	C318	042-4023-91	6.3V 47uF
BL101	941-0223-02	SDARS TUNER (PU-3175A Only)	C239	168-1042-78	16V 0.1uF K	C320	168-1042-78	16V 0.1uF K
BL151	880-2091I	AM/FM-TUNER	C240	042-4021-91	10V 220uF	C321	042-4023-90	6.3V 100uF
C104	166-1011-50	100pF CH (PU-3175A Only)	C241	168-1042-78	16V 0.1uF K	C322	168-1042-78	16V 0.1uF K
C105	166-1011-50	100pF CH (PU-3175A Only)	C242	168-1042-78	16V 0.1uF K	C326	178-1055-79	1uF
C106	166-1011-50	100pF CH (PU-3175A Only)	C243	168-1022-55	1000pF K	C327	178-1055-79	1uF
C111	166-1011-50	100pF CH (PU-3175A Only)	C244	168-2232-55	0.022uF K	C329	168-1532-55	0.015uF K
C112	166-1011-50	100pF CH (PU-3175A Only)	C245	168-1042-78	16V 0.1uF K	C330	042-4023-91	6.3V 47uF
C113	166-1011-50	100pF CH (PU-3175A Only)	C246	168-1032-55	0.01uF K	C331	168-1042-78	16V 0.1uF K
C114	166-1011-50	100pF CH (PU-3175A Only)	C247	168-2222-55	2200pF K	C333	042-4023-90	6.3V 100uF
C119	166-1011-50	100pF CH (PU-3175A Only)	C248	168-2222-55	2200pF K	C334	178-1055-79	1uF
C134	166-1011-50	100pF CH (PU-3175A Only)	C249	165-4753-55	35V 4.7uF	C335	168-3332-78	0.033uF K
C138	168-1042-78	16V 0.1uF K (PU-3175A Only)	C250	168-1042-78	16V 0.1uF K	C336	166-4701-50	47pF CH
C141	166-1011-50	100pF CH (PU-3175A Only)	C251	168-1042-78	16V 0.1uF K	C338	168-1045-56	25V 0.1uF Z
C142	166-1011-50	100pF CH (PU-3175A Only)	C252	165-4753-55	35V 4.7uF	C339	168-6822-55	6800pF K
C143	168-1042-78	16V 0.1uF K (PU-3175A Only)	C254	166-1011-50	100pF CH	C347	168-3332-78	0.033uF K
C144	166-1011-50	100pF CH (PU-3175A Only)	C256	168-1042-78	16V 0.1uF K	C348	168-1045-56	25V 0.1uF Z
C145	166-1011-50	100pF CH (PU-3175A Only)	C257	178-1055-79	1uF	C349	168-1045-56	25V 0.1uF Z
C146	165-1073-35	16V 100uF (PU-3175A Only)	C258	168-3332-78	0.033uF K	C350	166-4711-50	470pF CH
C173	166-1511-50	150pF CH	C259	165-4763-15	6.3V 47uF	C351	166-4711-50	470pF CH
C174	165-1073-35	16V 100uF	C260	042-0423-94	10V 4.7uF	C352	168-1042-78	16V 0.1uF K
C175	166-2201-50	22pF CH	C261	168-1022-55	1000pF K	C353	165-2263-15	6.3V 22uF
C176	168-1022-55	1000pF K	C262	168-1042-78	16V 0.1uF K	C354	168-1042-78	16V 0.1uF K
C177	168-1022-55	1000pF K	C263	165-1063-35	16V 10uF	C355	168-1042-78	16V 0.1uF K
C178	168-1022-55	1000pF K	C264	168-1052-78	16V 1uF K	C356	168-4732-78	0.047uF K
C179	168-1022-55	1000pF K	C265	166-2211-50	220pF CH	C357	168-4732-78	0.047uF K
C180	165-1073-35	16V 100uF	C266	166-2211-50	220pF CH	C358	168-1045-56	25V 0.1uF Z
C181	168-1022-55	1000pF K	C267	165-1073-15	6.3V 100uF	C359	166-1011-50	100pF CH
C182	168-1022-55	1000pF K	C268	168-1042-78	16V 0.1uF K	C360	168-2222-55	2200pF K
C183	168-1022-55	1000pF K	C269	168-4732-78	0.047uF K	C361	168-1045-56	25V 0.1uF Z
C201	168-1042-78	16V 0.1uF K	C270	165-2263-15	6.3V 22uF	C362	168-1045-56	25V 0.1uF Z
C202	168-2232-55	0.022uF K	C271	168-1052-78	16V 1uF K	C363	166-1007-50	10pF CH
C203	168-2232-55	0.022uF K	C272	165-2263-15	6.3V 22uF	C364	168-1045-56	25V 0.1uF Z
C204	168-2232-55	0.022uF K	C273	168-1052-78	16V 1uF K	C365	166-1007-50	10pF CH
C206	166-1011-50	100pF CH	C274	165-4753-55	35V 4.7uF	C366	168-1045-56	25V 0.1uF Z
C207	168-1042-78	16V 0.1uF K	C276	166-2211-50	220pF CH	C367	168-1045-56	25V 0.1uF Z
C209	168-1042-78	16V 0.1uF K	C277	168-1042-78	16V 0.1uF K	C368	168-1045-56	25V 0.1uF Z
C212	166-1011-50	100pF CH	C278	166-2211-50	220pF CH	C369	168-1045-56	25V 0.1uF Z
C214	166-9097-50	9pF +/-0.5pF CH	C279	168-1052-78	16V 1uF K	C373	168-1045-56	25V 0.1uF Z
C215	178-1055-79	1uF	C280	178-1055-79	1uF	C375	168-5622-55	5600pF K
C216	166-4711-50	470pF CH	C281	168-2722-55	2700pF K	C378	168-1045-56	25V 0.1uF Z
C217	166-9097-50	9pF +/-0.5pF CH	C282	168-2722-55	2700pF K	C379	165-1073-35	16V 100uF
C218	166-1811-50	180pF CH	C283	178-1055-79	1uF	C380	168-1045-56	25V 0.1uF Z
C219	168-1022-55	1000pF K	C284	178-1055-79	1uF	C401	042-1767-90	16V 470uF
C227	168-5622-55	5600pF K	C285	168-2722-55	2700pF K	C402	178-1042-78	0.1uF
C229	168-5622-55	5600pF K	C286	168-2722-55	2700pF K	C403	165-1063-35	16V 10uF
C230	168-1042-78	16V 0.1uF K	C287	178-1055-79	1uF	C404	178-1042-78	0.1uF
C231	168-1022-55	1000pF K	C288	168-1542-58	0.15uF K	C405	178-2222-78	2200pF
C232	165-4753-55	35V 4.7uF	C289	168-1542-58	0.15uF K	C406	168-1042-78	16V 0.1uF K
C233	168-1042-78	16V 0.1uF K	C290	168-3322-55	3300pF K	C407	165-1063-35	16V 10uF
C234	166-1011-50	100pF CH	C291	168-3322-55	3300pF K	C408	165-2263-35	16V 22uF
C235	168-2232-55	0.022uF K	C292	168-3322-55	3300pF K	C409	168-1042-78	16V 0.1uF K
C236	168-1022-55	1000pF K	C293	168-3322-55	3300pF K	C410	168-1042-78	16V 0.1uF K
C237	168-1042-78	16V 0.1uF K	C294	168-3322-55	3300pF K	C411	178-1042-78	0.1uF
			C295	168-3322-55	3300pF K	C412	168-1042-78	16V 0.1uF K
			C297	168-1032-55	0.01uF K	C413	168-1042-78	16V 0.1uF K
			C300	042-0416-60	25V 10uF M TAN	C414	042-1767-90	16V 470uF
			C301	168-1045-56	25V 0.1uF Z	C415	178-1042-78	0.1uF
			C302	166-6801-50	68pF CH	C416	178-2222-78	2200pF
			C303	168-1045-56	25V 0.1uF Z	C417	178-2222-78	2200pF
			C304	168-1032-55	0.01uF K	C418	178-2222-78	2200pF
			C305	168-1045-56	25V 0.1uF Z	C419	178-2222-78	2200pF
			C306	165-1053-65	50V 1uF	C420	178-2222-78	2200pF
			C307	168-1032-55	0.01uF K	C421	178-2222-78	2200pF
			C308	168-1045-56	25V 0.1uF Z	C422	178-2222-78	2200pF
			C312	168-1045-56	25V 0.1uF Z	C423	178-2222-78	2200pF
			C313	168-1532-55	0.015uF K	C424	178-2222-78	2200pF
			C314	168-1045-56	25V 0.1uF Z	C429	168-1022-55	1000pF K
			C315	168-1522-55	1500pF K	C430	168-1042-78	16V 0.1uF K
			C316	168-3322-55	3300pF K	C435	168-3332-78	0.033uF K
			C317	168-1042-78	16V 0.1uF K	C437	178-2222-78	2200pF

PU-3174A  
PU-3175A

REF No.	PART No.	DESCRIPTION	REF No.	PART No.	DESCRIPTION	REF No.	PART No.	DESCRIPTION
C438	178-2222-78	2200pF	D501	001-0529-21	MA8039-H	Q400	192-4081-00	2SC4081
C441	178-2222-78	2200pF	D502	001-0516-90	MA111	Q401	192-4081-00	2SC4081
C442	178-2222-78	2200pF	D505	001-1304-90	DAN202U	Q407	103-2394-00	2SD2394
C443	178-2222-78	2200pF	D603	001-0516-90	MA111	Q409	125-9026-90	IMF29
C444	176-1011-59	100pF SL	IC201	-----	SAF7730HV/N317/S1	Q411	125-9026-90	IMF29
C445	176-1011-59	100pF SL	IC301	051-3543-90	BD33KA5WFP-E2	Q412	125-9017-92	UMD3N-TR
C446	178-2222-78	2200pF	IC302	051-3511-90	BH15PB1WHFV-TR	Q418	125-9017-92	UMD3N-TR
C447	168-1045-56	25V 0.1uF Z	IC303	051-6733-10	TC94A70FG-005	Q421	190-1576-00	2SA1576A
C448	165-2263-15	6.3V 22uF	IC304	051-3511-90	BH15PB1WHFV-TR	Q424	125-2042-90	DTC614TU-T106
C449	178-2222-78	2200pF	IC305	051-6079-80	BA5830FM-E2	Q502	125-9017-92	UMD3N-TR
C450	178-2222-78	2200pF	IC401	051-3510-01	TDA3681JR/N2C	Q504	125-2027-91	DTC114EUA
C451	178-2222-78	2200pF	IC402	051-3402-90	NUM2406F	R101	119-4731-15	1/10W 47k ohm (PU-3175A Only)
C452	178-2222-78	2200pF	IC403	051-3512-90	BH33PB1WHFV	R102	117-1021-15	1/8W 1k ohm (PU-3175A Only)
C453	168-1042-78	16V 0.1uF K	IC404	051-3344-90	BD3930FP-E2	R103	119-4721-15	1/10W 4.7k ohm (PU-3175A Only)
C454	166-1011-50	100pF CH	IC405	051-3218-90	TA76431F	R104	119-1031-15	1/10W 10k ohm (PU-3175A Only)
C455	168-2245-79	0.22uF Z	IC407	051-6653-80	SN65HVD1040QDR Q1	R105	119-1031-15	1/10W 10k ohm (PU-3175A Only)
C456	168-1042-78	16V 0.1uF K	IC408	051-5459-90	BD4836G-TR	R106	119-1031-15	1/10W 10k ohm (PU-3175A Only)
C457	178-2222-78	2200pF	IC501	051-2068-00	TDA7562B	R107	119-1011-15	1/10W 100 ohm (PU-3175A Only)
C458	178-1045-79	0.1uF	IC601	051-7108-80	HEF4053B-MSI (PU-3175A Only)	R108	119-1011-15	1/10W 100 ohm (PU-3175A Only)
C459	165-2263-35	16V 22uF	IC602	-----	uPD70F3351GC- 8EA-A	R109	119-1011-15	1/10W 100 ohm (PU-3175A Only)
C460	165-2263-35	16V 22uF	IC603	051-5423-08	S-80929CLMC-G6Z	R110	119-1011-15	1/10W 100 ohm (PU-3175A Only)
C461	168-1042-78	16V 0.1uF K	IC604	-----	BR24S16FVT-WTR	R111	119-1011-15	1/10W 100 ohm (PU-3175A Only)
C462	165-2263-35	16V 22uF	J301	074-1237-77	27P	R112	119-1031-15	1/10W 10k ohm (PU-3175A Only)
C463	168-1042-78	16V 0.1uF K	J401	074-4032-24	24P	R113	119-1001-15	1/10W 10 ohm
C464	042-0423-97	16V 10uF	J403	074-4032-16	16P	R114	119-1001-15	1/10W 10 ohm
C499	178-2222-78	2200pF	J601	076-6000-58	8P	R115	119-1011-15	1/10W 100 ohm (PU-3175A Only)
C503	165-2253-65	50V 2.2uF	L113	010-2003-04	30uH	R116	119-0000-05	1/10W 0 ohm JW (PU-3175A Only)
C505	165-2253-65	50V 2.2uF	L200	010-3105-62	1k ohm/100MHz	R117	119-0000-05	1/10W 0 ohm JW (PU-3175A Only)
C507	165-2253-65	50V 2.2uF	L201	010-3105-62	1k ohm/100MHz	R119	119-1011-15	1/10W 100 ohm
C509	165-2263-55	35V 22uF	L202	010-3105-62	1k ohm/100MHz	R120	119-1011-15	1/10W 100 ohm
C510	043-0499-51	50V 0.1uF J	L203	010-3105-62	1k ohm/100MHz	R121	119-2741-15	1/10W 270k ohm
C511	042-1717-00	16V 3300uF	L204	010-3105-62	1k ohm/100MHz	R122	119-0000-05	1/10W 0 ohm JW (PU-3175A Only)
C515	168-2222-55	2200pF K	L205	010-3105-62	1k ohm/100MHz	R133	119-6821-15	1/10W 6.8k ohm
C516	168-2222-55	2200pF K	L206	010-3105-62	1k ohm/100MHz	R134	119-6821-15	1/10W 6.8k ohm
C519	178-4742-78	0.47uF	L207	010-3105-62	1k ohm/100MHz	R135	119-1011-15	1/10W 100 ohm
C520	168-2222-55	2200pF K	L208	010-3105-62	1k ohm/100MHz	R136	119-1011-15	1/10W 100 ohm
C521	168-2222-55	2200pF K	L209	010-3105-62	1k ohm/100MHz	R137	119-1011-15	1/10W 100 ohm
C522	178-4742-78	0.47uF	L210	010-3105-62	1k ohm/100MHz	R138	119-1011-15	1/10W 100 ohm
C524	178-4742-78	0.47uF	L211	010-2198-51	0.22uH	R139	119-1011-15	1/10W 100 ohm
C525	168-1052-78	16V 1uF K	L212	010-3105-62	1k ohm/100MHz	R140	119-1041-15	1/10W 100k ohm
C527	178-4742-78	0.47uF	L213	010-3105-62	1k ohm/100MHz	R201	119-1031-15	1/10W 10k ohm
C538	165-2253-65	50V 2.2uF	L214	010-3104-54	600 ohm/100MHz	R205	119-1031-15	1/10W 10k ohm
C539	165-2253-65	50V 2.2uF	L215	010-3105-62	1k ohm/100MHz	R207	119-1031-15	1/10W 10k ohm
C600	166-1501-50	15pF CH	L216	010-3105-62	1k ohm/100MHz	R208	119-0000-05	1/10W 0 ohm JW (PU-3175A Only)
C604	165-4753-55	35V 4.7uF	L217	010-3105-62	1k ohm/100MHz	R209	119-0000-05	1/10W 0 ohm JW (PU-3175A Only)
C605	165-4753-55	35V 4.7uF	L218	010-3105-62	1k ohm/100MHz	R210	119-0000-05	1/10W 0 ohm JW (PU-3175A Only)
C607	168-1042-78	16V 0.1uF K	L219	010-3105-62	1k ohm/100MHz	R211	119-1031-15	1/10W 10k ohm
C608	042-4022-90	6.3V 1000uF	L220	010-3105-62	1k ohm/100MHz	R213	119-1011-15	1/10W 100 ohm
C609	042-4022-90	6.3V 1000uF	L221	010-3105-62	1k ohm/100MHz	R214	119-1021-15	1/10W 1k ohm
C610	178-1055-79	1uF	L222	010-3104-54	600 ohm/100MHz	R215	119-1001-15	1/10W 10 ohm
C611	168-1022-55	1000pF K	L223	010-3105-62	1k ohm/100MHz	R217	119-1001-15	1/10W 10 ohm
C612	168-1042-78	16V 0.1uF K	L301	010-3105-62	1k ohm/100MHz	R219	119-4731-15	1/10W 47k ohm
C613	168-1032-55	0.01uF K	L302	010-3105-62	1k ohm/100MHz	R220	119-1241-15	1/10W 120k ohm
C616	168-1042-78	16V 0.1uF K	L303	010-3104-50	30 ohm/100MHz	R222	119-4731-15	1/10W 47k ohm
D101	001-0529-28	MA8051-L (PU-3175A Only)	L304	010-3406-66	22uH J	R223	119-2201-15	1/10W 22 ohm
D103	001-0529-14	MA8030-L (PU-3175A Only)	L305	010-3105-69	80 ohm/100MHz	R224	119-1011-15	1/10W 100 ohm
D301	001-1305-90	DAN217U-T106	L401	010-8049-00	145uH	R225	119-1011-15	1/10W 100 ohm
D400	001-0516-90	MA111	L404	010-3503-90	6.5uH (PU-3175A Only)			
D402	001-0592-00	RM4Z	L601	010-3105-62	1k ohm/100MHz			
D403	001-4315-50	MMBZ27VCLT1G	L602	010-3105-62	1k ohm/100MHz			
D404	001-0516-90	MA111	Q101	190-2060-00	2SA2060 (PU-3175A Only)			
D405	001-0516-90	MA111	Q102	125-2027-90	DTC143EU (PU-3175A Only)			
D406	001-1304-90	DAN202U	Q103	125-2027-91	DTC114EUA (PU-3175A Only)			
D407	001-4315-50	MMBZ27VCLT1G	Q104	125-2027-91	DTC114EUA (PU-3175A Only)			
D408	001-0529-28	MA8051-L	Q201	125-7007-90	Si5441BDC-TI-E3			
D414	001-0516-90	MA111	Q301	190-2060-00	2SA2060			
D416	001-0516-90	MA111						
D418	001-0529-32	MA8056-M						
D419	001-4313-52	HZU7CZL						
D420	001-0516-90	MA111						
D422	001-0516-90	MA111						
D423	001-0516-90	MA111						

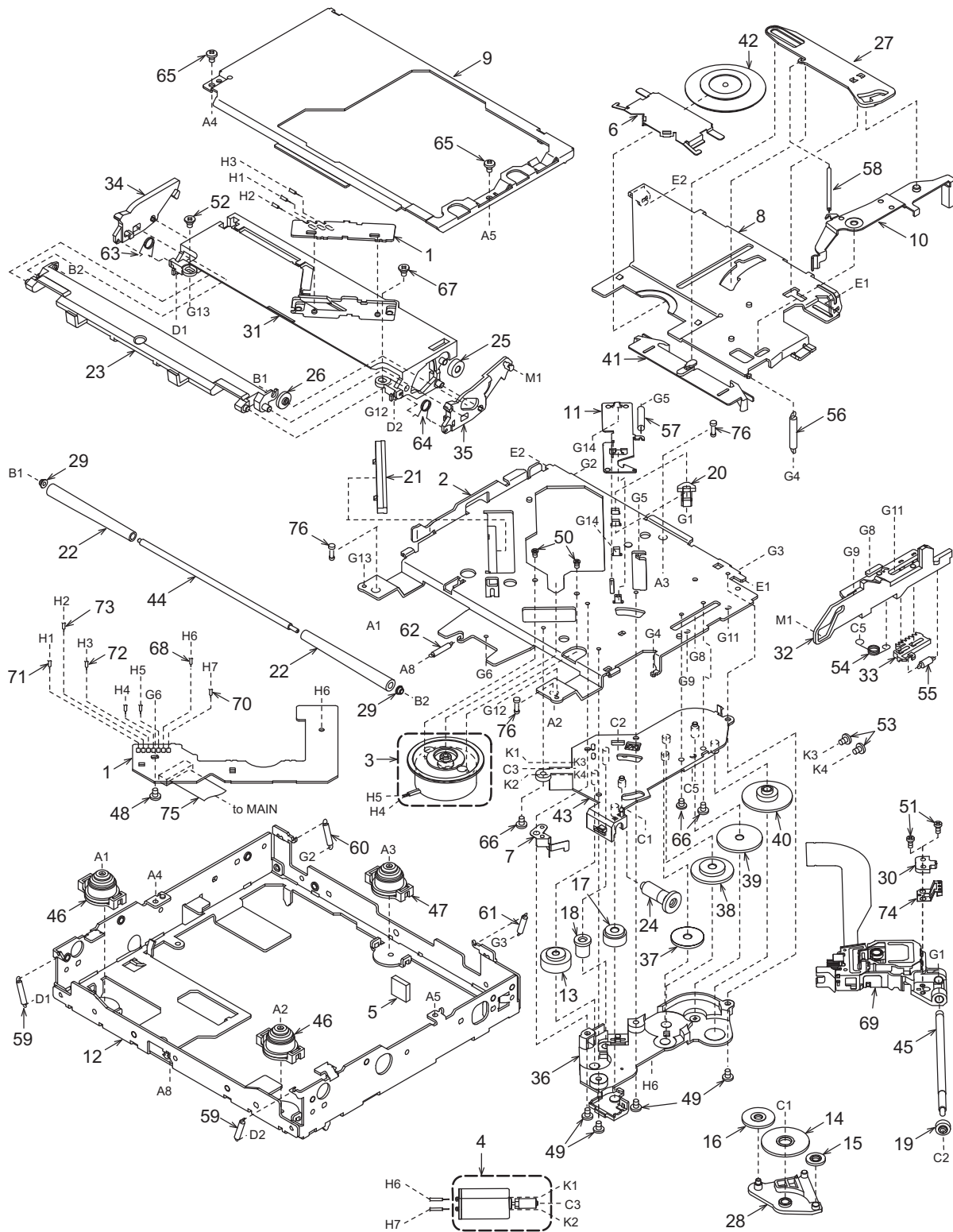
REF No.	PART No.	DESCRIPTION	REF No.	PART No.	DESCRIPTION	REF No.	PART No.	DESCRIPTION
R226	119-8221-15	1/10W 8.2k ohm	R405	119-1021-15	1/10W 1k ohm	R572	119-1011-15	1/10W 100 ohm
R228	119-1041-15	1/10W 100k ohm	R406	119-1021-15	1/10W 1k ohm	R600	119-0000-05	1/10W 0 ohm JW (PU-3175A Only)
R229	119-1041-15	1/10W 100k ohm	R407	119-1021-15	1/10W 1k ohm	R601	119-6831-15	1/10W 68k ohm
R230	032-0140-99	1/10W 39k ohm F	R408	119-1041-15	1/10W 100k ohm	R602	119-6831-15	1/10W 68k ohm
R231	032-0140-99	1/10W 39k ohm F	R409	032-0140-56	1/10W 12k ohm F	R603	119-1011-15	1/10W 100 ohm
R232	032-0140-99	1/10W 39k ohm F	R410	032-0140-80	1/10W 18k ohm F	R604	119-3331-15	1/10W 33k ohm
R233	032-0140-99	1/10W 39k ohm F	R411	119-1231-15	1/10W 12k ohm	R605	119-3331-15	1/10W 33k ohm
R236	032-0140-95	1/10W 20k ohm F	R412	119-3321-15	1/10W 3.3k ohm	R606	119-3331-15	1/10W 33k ohm
R237	032-0140-95	1/10W 20k ohm F	R413	116-5691-15	1/4W 5.6 ohm	R607	119-3331-15	1/10W 33k ohm
R238	032-0140-95	1/10W 20k ohm F	R414	119-9121-15	1/10W 9.1k ohm	R608	119-3331-15	1/10W 33k ohm
R239	032-0140-95	1/10W 20k ohm F	R415	119-1031-15	1/10W 10k ohm	R611	119-4731-15	1/10W 47k ohm
R240	119-2031-15	1/10W 20k ohm	R417	119-1031-15	1/10W 10k ohm	R612	119-4731-15	1/10W 47k ohm (PU-3175A Only)
R241	119-2031-15	1/10W 20k ohm	R418	117-2721-15	1/8W 2.7k ohm	R615	119-3331-15	1/10W 33k ohm
R243	032-0140-89	1/10W 47k ohm F	R419	119-1521-15	1/10W 1.5k ohm	R616	119-3331-15	1/10W 33k ohm
R244	119-1041-15	1/10W 100k ohm	R420	119-4721-15	1/4W 4.7k ohm	R617	119-3331-15	1/10W 33k ohm
R245	119-1001-15	1/10W 10 ohm	R425	116-1221-15	1/4W 1.2k ohm	R618	119-3331-15	1/10W 33k ohm
R246	032-0140-89	1/10W 47k ohm F	R426	116-1221-15	1/4W 1.2k ohm	R622	119-1011-15	1/10W 100 ohm
R247	032-0140-89	1/10W 47k ohm F	R427	116-1221-15	1/4W 1.2k ohm	R623	119-1031-15	1/10W 10k ohm
R249	119-1041-15	1/10W 100k ohm	R428	116-1221-15	1/4W 1.2k ohm	R624	119-1011-15	1/10W 100 ohm
R251	032-0140-89	1/10W 47k ohm F	R430	119-1031-15	1/10W 10k ohm	R625	119-1031-15	1/10W 10k ohm
R252	032-0140-62	1/10W 1k ohm F	R432	119-2231-15	1/10W 22k ohm	R627	119-3331-15	1/10W 33k ohm
R253	032-0140-62	1/10W 1k ohm F	R448	119-0000-05	1/10W 0 ohm JW	R629	119-3331-15	1/10W 33k ohm
R254	032-0140-62	1/10W 1k ohm F	R449	119-1031-15	1/10W 10k ohm	R630	119-3331-15	1/10W 33k ohm
R255	032-0140-62	1/10W 1k ohm F	R451	119-1021-15	1/10W 1k ohm	R631	119-4731-15	1/10W 47k ohm (PU-3175A Only)
R301	119-2231-15	1/10W 22k ohm	R456	116-2721-15	1/4W 2.7k ohm	R635	119-3321-15	1/10W 3.3k ohm
R302	119-3321-15	1/10W 3.3k ohm	R457	119-2241-15	1/10W 220k ohm	R639	119-1241-15	1/10W 120k ohm
R303	119-3331-15	1/10W 33k ohm	R458	119-1021-15	1/10W 1k ohm	R642	119-1041-15	1/10W 100k ohm
R305	119-2231-15	1/10W 22k ohm	R459	119-2231-15	1/10W 22k ohm	R643	119-1031-15	1/10W 10k ohm
R306	119-4731-15	1/10W 47k ohm	R460	119-1041-15	1/10W 100k ohm	R644	119-1241-15	1/10W 120k ohm
R307	119-3341-15	1/10W 330k ohm	R461	119-1031-15	1/10W 10k ohm	R646	119-1011-15	1/10W 100 ohm
R309	119-2211-15	1/10W 220 ohm	R463	119-1041-15	1/10W 100k ohm	R647	119-1011-15	1/10W 100 ohm
R310	119-1001-15	1/10W 10 ohm	R464	119-1041-15	1/10W 100k ohm	R648	119-3331-15	1/10W 33k ohm
R311	119-5621-15	1/10W 5.6k ohm	R465	119-1041-15	1/10W 100k ohm	R650	119-3331-15	1/10W 33k ohm
R312	119-3321-15	1/10W 3.3k ohm	R466	119-5621-15	1/10W 5.6k ohm	R652	119-6831-15	1/10W 68k ohm
R313	119-1041-15	1/10W 100k ohm	R467	119-1831-15	1/10W 18k ohm	R653	119-3331-15	1/10W 33k ohm
R315	119-1041-15	1/10W 100k ohm	R468	119-1041-15	1/10W 100k ohm	R654	119-3331-15	1/10W 33k ohm
R316	119-1041-15	1/10W 100k ohm	R469	119-1041-15	1/10W 100k ohm	R655	119-1231-15	1/10W 12k ohm
R317	119-2211-15	1/10W 220 ohm	R470	119-1041-15	1/10W 100k ohm	R656	119-1031-15	1/10W 10k ohm
R318	119-1011-15	1/10W 100 ohm	R471	119-1011-15	1/10W 100 ohm	R657	119-1031-15	1/10W 10k ohm
R320	119-1041-15	1/10W 100k ohm	R472	119-1231-15	1/10W 12k ohm	R658	119-1041-15	1/10W 100k ohm
R321	119-4731-15	1/10W 47k ohm	R473	119-4721-15	1/10W 4.7k ohm	R660	032-0148-52	1/16W 24k ohm D
R323	119-1051-15	1/10W 1M ohm	R475	116-2011-15	1/4W 200 ohm	R661	032-0148-52	1/16W 24k ohm D
R324	119-2221-15	1/10W 2.2k ohm	R476	116-2011-15	1/4W 200 ohm	SUP101	060-0122-91	DSP-141N-S00B
R328	119-4731-15	1/10W 47k ohm	R477	116-2011-15	1/4W 200 ohm	TC601	004-1589-52	TZB4R200AA10R00
R331	119-1021-15	1/10W 1k ohm	R503	119-8221-15	1/10W 8.2k ohm	TH101	002-0330-90	THERMISTOR (PU-3175A Only)
R332	119-1031-15	1/10W 10k ohm	R507	119-1021-15	1/10W 1k ohm	TM101	073-0762-90	TERMINAL
R333	119-1041-15	1/10W 100k ohm	R509	119-1021-15	1/10W 1k ohm	TM102	073-0768-90	TERMINAL
R334	119-2731-15	1/10W 27k ohm	R512	119-8221-15	1/10W 8.2k ohm	TM301	073-0762-90	TERMINAL
R335	119-2731-15	1/10W 27k ohm	R513	119-4721-15	1/10W 4.7k ohm	TM501	073-0768-90	TERMINAL
R336	119-4731-15	1/10W 47k ohm	R514	119-2231-15	1/10W 22k ohm	X201	061-3537-90	41.6MHz
R337	119-1531-15	1/10W 15k ohm	R515	119-8221-15	1/10W 8.2k ohm	X301	061-3534-90	16.92MHz
R338	119-8231-15	1/10W 82k ohm	R516	119-8221-15	1/10W 8.2k ohm	X601	061-3561-90	AT-41CD2 3.997696MHz
R339	119-8231-15	1/10W 82k ohm	R517	119-3331-15	1/10W 33k ohm	PWB	039-3389-02	PWB(WITHOUT COMPONENT)
R340	119-2731-15	1/10W 27k ohm	R518	119-3331-15	1/10W 33k ohm			
R341	119-2731-15	1/10W 27k ohm	R519	119-3331-15	1/10W 33k ohm			
R342	117-6811-15	1/10W 680 ohm	R520	119-3331-15	1/10W 33k ohm			
R400	116-2011-15	1/4W 200 ohm	R521	119-1021-15	1/10W 1k ohm			
R401	119-1041-15	1/10W 100k ohm	R523	119-1021-15	1/10W 1k ohm			
R402	119-1031-15	1/10W 10k ohm	R529	119-1031-15	1/10W 10k ohm			
R403	119-9121-15	1/10W 9.1k ohm	R530	119-1021-15	1/10W 1k ohm			
R404	119-1021-15	1/10W 1k ohm	R571	119-1011-15	1/10W 100 ohm			

CN PWB(B2) section

REF No.	PART No.	DESCRIPTION
J201	074-1138-65	SOCKET(15P)
J301	074-1138-60	SOCKET(10P)
J401	074-1228-77	SOCKET(27P)

REF No.	PART No.	DESCRIPTION
J402	074-1228-54	SOCKET(4P)
PWB	039-3113-01	PWB(WITHOUT COMPONENT)

# EXPLODED VIEW/PARTS LIST



NO.	PART NO.	DESCRIPTION	Q'TY	NO.	PART NO.	DESCRIPTION	Q'TY
1	-----	SENSOR PWB	1	39	621-1750-20	POWER GEAR C	1
2	-----	DRIVE PLATE	1	40	621-1751-20	POWER GEAR D	1
3	SMA-182-100	SPINDLE MOTOR-ASSY	1	41	621-1752-20	DISC STOPPER	1
4	SMA-197-100	SLED MOTOR-ASSY	1	42	621-1753-20	CLAMPER RING	1
5	345-5476-20	CUSHION RUBBER	1	43	621-1754-20	GEAR BASE	1
6	620-1023-23	CLAMPER PLATE	1	44	622-1571-21	ROLLER SHAFT	1
7	620-1026-21	SPRING PLATE	1	45	624-0020-00	LEAD SCREW	1
8	620-1596-23	CLAMPER LINK	1	46	629-0086-20	DAMPER F	2
9	620-1862-20	UPPER CHASSIS	1	47	629-0087-20	DAMPER R	1
10	620-1752-20	SENSOR ARM	1	48	716-1507-01	SCREW(M2x3)	1
11	620-1753-20	ID-LOCK PLATE	1	49	716-1670-01	SCREW(M2x4)	4
12	620-1791-20	LOWER CHASSIS	1	50	716-1733-01	SCREW(M1.7x2.3)	2
13	621-0608-21	SECOND GEAR	1	51	716-3469-01	SCREW(1.7x4)	2
14	621-0609-20	BASE GEAR	1	52	716-3473-01	SCREW(M2x3)	1
15	621-0610-20	IDLE GEAR A	1	53	716-3551-00	SCREW(M1.4x2.5)	2
16	621-0611-20	IDLE GEAR B	1	54	750-7865-20	SHIFT SPRING	1
17	621-0612-21	ROLLER GEAR A	1	55	750-7866-20	RACK SPRING	1
18	621-0620-20	THREAD GEAR A	1	56	750-7867-20	CLAMPER SPRING	1
19	621-0621-20	THREAD GEAR B	1	57	750-7868-20	ID-LOCK SPRING	1
20	621-0623-23	LS-HOLDER	1	58	750-7869-20	SENSOR SPRING	1
21	621-0624-22	GUIDE RAIL	1	59	750-7870-20	DR-SPRING F	2
22	621-0711-21	LOADING ROLLER	2	60	750-7871-20	DR-SPRING RA	1
23	621-0718-21	ROLLER GUIDE	1	61	750-7872-20	DR-SPRING RB	1
24	621-0719-20	ROLLER GEAR	1	62	750-7873-20	DR-SPRING C	1
25	621-0720-20	ROLLER GEAR C	1	63	750-6797-20	ROLLER SPRING L	1
26	621-0721-20	ROLLER GEAR D	1	64	750-6798-20	ROLLER SPRING R	1
27	621-0728-20	STOPPER LINK	1	65	714-2003-8B	SCREW(M2x3)	2
28	621-1719-20	IDLE CASE	1	66	780-2025-00	SCREW(M2x2.5)	3
29	621-1726-20	ROLLER SLEEVE	2	67	781-1730-00	SCREW(M1.7x3)	1
30	621-1729-20	SH-BASE	1	68	803-4906-60	VINYL-COAT-WIRE(ORG)	1
31	621-1742-20	UPPER GUIDE	1	69	969-0071-30	PICKUP-ASSY	1
32	621-1743-20	SHIFT LEVER	1	70	816-2590-00	LEAD(GRN)	1
33	621-1744-20	RACK	1	71	816-2591-00	LEAD(YEL)	1
34	621-1745-20	LOCK ARM L	1	72	816-2592-00	LEAD(BLUE)	1
35	621-1746-20	LOCK ARM R	1	73	816-2593-00	LEAD(PUR)	1
36	621-1747-20	GEAR COVER	1	74	966-1722-20	SH-RACK-ASSY	1
37	621-1748-20	POWER GEAR A	1	75	816-2542-01	FLAT WIRE	1
38	621-1749-20	POWER GEAR B	1	76	-----	DAMPER PIN	3

## ELECTRICAL PARTS LIST

### Sensor PWB(BM1) section

REF No.	PART No.	DESCRIPTION	REF No.	PART No.	DESCRIPTION	REF No.	PART No.	DESCRIPTION
D1	001-7058-90	AN1105W-RR	Q1	060-4015-91	PS1192HB	S2	013-7413-50	LIMIT
D2	001-7058-90	AN1105W-RR	Q2	060-4015-91	PS1192HB	PWB	039-2675-20	PWB(WITHOUT COMPONENT)
J1	074-1138-60	10P	S1	013-7414-50	CHUCKING			