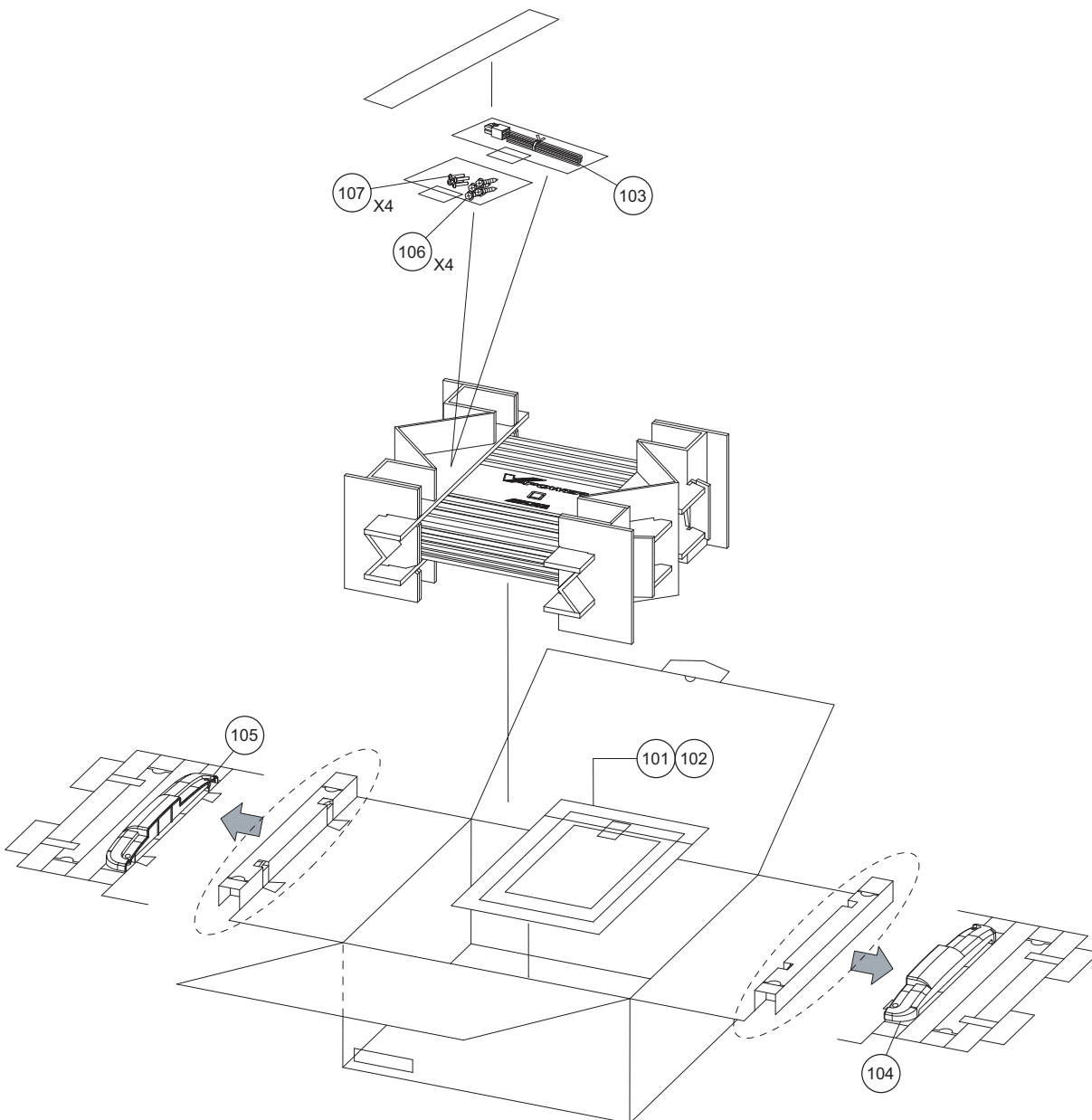


Packing Assembly Parts List

Symbol No.	Part No.	Description	Symbol No.	Part No.	Description
#1 101	68-10872Z20	MANUAL,OWNER'S(AO)	103	01E39152S01	ASSY,CONNECTOR 4P
\$1 101	68-10872Z21	MANUAL,OWNER'S(GO)	104	15E40539S01	COVER,PLATE-R
%1 101	68-10872Z21	MANUAL,OWNER'S(GO)	105	15E40540S01	COVER,PLATE-L
&1 101	68-10872Z23	MANUAL,OWNER'S(AOCH)	106	03E40419S01	SCR,M4X20(BLK)
\$1 102	68-10872Z22	MANUAL,OWNER'S(IGS)	107	03E39167S01	SCR,M3X12(P)(BLK)

NOTE : #1 : For North American Model Only, \$1 : For European Model Only, %1 : For General Foreign Model Only,
 &1 : For Chinese Model Only, Others : Common.

Packing Method View



Electrical Parts List

* Each parts on P.W.Board are described in order of the reference number.

=====MAIN P.W.Board

C1101	08E36596S01	CAP,CER. 1000pF/50V
C1102	08E36596S01	CAP,CER. 1000pF/50V
C1103	08E36596S01	CAP,CER. 1000pF/50V
C1104	08E36596S01	CAP,CER. 1000pF/50V
C1105	08E36596S01	CAP,CER. 1000pF/50V
C1106	08E36596S01	CAP,CER. 1000pF/50V
C1107	08E36596S01	CAP,CER. 1000pF/50V
C1108	08E36596S01	CAP,CER. 1000pF/50V
C1201	08E38602S01	CAP,CER. 47pF/50V
C1202	08E38602S01	CAP,CER. 47pF/50V
C1203	08E38602S01	CAP,CER. 47pF/50V
C1204	08E38602S01	CAP,CER. 47pF/50V
C1205	08E38602S01	CAP,CER. 47pF/50V
C1206	08E38602S01	CAP,CER. 47pF/50V
C1401	08E36675S01	CAP,CER. 33pF/50V
C1403	08E38086S01	CAP,CER. 10pF/50V
C1501	08E36472S01	CAP,CER. 0.1uF/50V
C1502	08E39112S01	CAP,FILM.0.12uF/50V
C1503	08E39111S01	CAP,FILM.0.056uF/50V
C1506	08E38084S01	CAP,FILM 0.15uF/50V
C1507	08E39113S01	CAP,FILM.0.33uF/50V
C1601	08E38621S01	CAP,FILM 0.1uF/50V
C1602	08E38621S01	CAP,FILM 0.1uF/50V
C1604	08E38621S01	CAP,FILM 0.1uF/50V
C1605	08E38621S01	CAP,FILM 0.1uF/50V
C1801	08E38602S01	CAP,CER. 47pF/50V
C1802	08E38602S01	CAP,CER. 47pF/50V
C1803	08E38602S01	CAP,CER. 47pF/50V
C1804	08E38602S01	CAP,CER. 47pF/50V
C1901	08E38620S01	CAP,FILM.0.022uF/50V
C1902	08E38086S01	CAP,CER. 10pF/50V
C4009	08E39107S01	CAP,CER.0.33uF/100V
C4010	08E36596S01	CAP,CER. 1000pF/50V
C4011	08E36596S01	CAP,CER. 1000pF/50V
C4012	08E36596S01	CAP,CER. 1000pF/50V
C4013	08E36596S01	CAP,CER. 1000pF/50V
C4014	08E36472S01	CAP,CER. 0.1uF/50V
C4015	08E36472S01	CAP,CER. 0.1uF/50V
C4016	08E39107S01	CAP,CER.0.33uF/100V
C4017	08E36596S01	CAP,CER. 1000pF/50V
C4018	08E36596S01	CAP,CER. 1000pF/50V
C4021	08E39105S01	CAP,CER.1500pF/500V
C4022	08E39105S01	CAP,CER.1500pF/500V
C4023	08E39115S01	CAP,METAL 1uF/100V
C4024	08E39115S01	CAP,METAL 1uF/100V
C4025	08E39115S01	CAP,METAL 1uF/100V
C4026	08E36646S01	CAP,FILM 0.47uF/50V
C4027	08E39107S01	CAP,CER.0.33uF/100V
C4028	08E36646S01	CAP,FILM 0.47uF/50V
C4029	08E39107S01	CAP,CER.0.33uF/100V
C4030	08E39103S01	CAP,CER.1000pF/500V

MRP-M500

C4031	08E39104S01	CAP,CER.0.01uF/500V
C4032	08E39103S01	CAP,CER.1000pF/500V
C4033	08E39104S01	CAP,CER.0.01uF/500V
C4034	08E39188S01	CAP,CER.2200pF/500V
C4035	08E39188S01	CAP,CER.2200pF/500V
C4036	08E39188S01	CAP,CER.2200pF/500V
C4037	08E39188S01	CAP,CER.2200pF/500V
C4038	08E38707S01	CAP,CER. 220pF/50V
C4039	08E38707S01	CAP,CER. 220pF/50V
C4040	08E38707S01	CAP,CER. 220pF/50V
C4041	08E38707S01	CAP,CER. 220pF/50V
C4042	08E40546S01	CAP,CER. 0.047uF/630V
C4043	08E40546S01	CAP,CER. 0.047uF/630V
C4105	08E38109S01	CAP,CER. 1200pF/50V
C4106	08E38109S01	CAP,CER. 1200pF/50V
C4501	08E34596S01	CAP,CER. 0.47uF/25V
C4502	08E36629S01	CAP,CER. 0.047uF/50V
C4503	08E36629S01	CAP,CER. 0.047uF/50V
C4504	08E36472S01	CAP,CER. 0.1uF/50V
C5001	08E38538S01	CAP,CER. 6800pF/50V
C5002	08E36472S01	CAP,CER. 0.1uF/50V
C5003	08E36472S01	CAP,CER. 0.1uF/50V
C5004	08E36472S01	CAP,CER. 0.1uF/50V
C5005	08E36472S01	CAP,CER. 0.1uF/50V
C5006	08E36472S01	CAP,CER. 0.1uF/50V
C5007	08E36472S01	CAP,CER. 0.1uF/50V
C5008	08E36472S01	CAP,CER. 0.1uF/50V
C5009	08E36470S01	CAP,CER. 100pF/50V
C5201	08E36627S01	CAP,CER. 0.022uF/50V
C5202	08E36567S01	CAP,CER. 0.01uF/50V
C5301	08E36567S01	CAP,CER. 0.01uF/50V
C9002	08E39106S01	CAP,CER.100pF/500V
C9003	08E39104S01	CAP,CER.0.01uF/500V
C9004	08E39106S01	CAP,CER.100pF/500V
C9005	08E39104S01	CAP,CER.0.01uF/500V
C9006	08E39106S01	CAP,CER.100pF/500V
C9101	08E36567S01	CAP,CER. 0.01uF/50V
C9301	08E36472S01	CAP,CER. 0.1uF/50V
C9302	08E36472S01	CAP,CER. 0.1uF/50V
C9303	08E36472S01	CAP,CER. 0.1uF/50V
C9601	08E36472S01	CAP,CER. 0.1uF/50V
C9701	08E38540S01	CAP,CER. 0.15uF/16V
C9702	08E38540S01	CAP,CER. 0.15uF/16V
C9703	08E36472S01	CAP,CER. 0.1uF/50V
C9704	08E36470S01	CAP,CER. 100pF/50V
C9705	08E36470S01	CAP,CER. 100pF/50V
C9706	08E38602S01	CAP,CER. 47pF/50V
C9707	08E38602S01	CAP,CER. 47pF/50V
C9708	08E37999S01	CAP,FILM 1200pF/50V
C9709	08E37999S01	CAP,FILM 1200pF/50V
C9710	08E37999S01	CAP,FILM 1200pF/50V
C9711	08E37999S01	CAP,FILM 1200pF/50V
C9712	08E36472S01	CAP,CER. 0.1uF/50V
C9713	08E36472S01	CAP,CER. 0.1uF/50V
C9714	08E36472S01	CAP,CER. 0.1uF/50V
C9715	08E38109S01	CAP,CER. 1200pF/50V
C9716	08E38109S01	CAP,CER. 1200pF/50V

MRP-M500

C9717	08E38109S01	CAP,CER. 1200pF/50V
C9718	08E38109S01	CAP,CER. 1200pF/50V
C9801	08E36596S01	CAP,CER. 1000pF/50V
C9802	08E36596S01	CAP,CER. 1000pF/50V
C9803	08E39107S01	CAP,CER.0.33uF/100V
C9804	08E39107S01	CAP,CER.0.33uF/100V
C9901	08E36472S01	CAP,CER. 0.1uF/50V
C9902	08E36626S01	CAP,CER. 2200pF/50V
C9903	08E37999S01	CAP,FILM 1200pF/50V
C9904	08E36567S01	CAP,CER. 0.01uF/50V
C9906	08E39103S01	CAP,CER.1000pF/500V
C9907	08E39103S01	CAP,CER.1000pF/500V
C9908	08E40545S01	CAP,CER. 0.015uF/50V
C9909	08E36596S01	CAP,CER. 1000pF/50V
C9910	08E36596S01	CAP,CER. 1000pF/50V
C9911	08E36472S01	CAP,CER. 0.1uF/50V
C9912	08E36567S01	CAP,CER. 0.01uF/50V
C9913	08E36567S01	CAP,CER. 0.01uF/50V
C9914	08E36567S01	CAP,CER. 0.01uF/50V
C9915	08E36567S01	CAP,CER. 0.01uF/50V
C9916	08E40545S01	CAP,CER. 0.015uF/50V
CB8001	09E27780S01	CONN,WTB 02P
CL5001	91E39901S01	RESONATOR,7.7MHz
D4001	48E39123S01	DIODE,SK2BS
D4002	48E39123S01	DIODE,SK2BS
D4003	48E39123S01	DIODE,SK2BS
D4004	48E39123S01	DIODE,SK2BS
D4102	48E36633S01	DIODE,DAP202K
D4501	48E37927S01	DIODE,1SS355
D4502	48E37927S01	DIODE,1SS355
D5001	48E39121S01	DIODE,GN1D
D5002	48E39100S01	DIODE,RLS-73 90V
D5201	48E39100S01	DIODE,RLS-73 90V
D9101	48E39121S01	DIODE,GN1D
D9501	48E39100S01	DIODE,RLS-73 90V
D9502	48E36568S01	DIODE,DAN202K
D9701	48E37124S01	DIODE,DA204K
D9702	48E37124S01	DIODE,DA204K
D9703	48E37927S01	DIODE,1SS355
D9704	48E37927S01	DIODE,1SS355
D9801	48E39122S01	DIODE,MURS120
D9802	48E39122S01	DIODE,MURS120
D9803	48E39122S01	DIODE,MURS120
D9804	48E39122S01	DIODE,MURS120
D9901	48E38098S01	DIODE,FRH20A15G
D9902	48E38097S01	DIODE,RF2001T2D
E1101	23E38011S01	CAP,ELY. 3.3uF/50V
E1102	23E38011S01	CAP,ELY. 3.3uF/50V
E1103	23E38011S01	CAP,ELY. 3.3uF/50V
E1104	23E38011S01	CAP,ELY. 3.3uF/50V
E1501	23E38000S01	CAP,ELY. 1uF/50V
E1502	23E38000S01	CAP,ELY. 1uF/50V
E1601	23E38000S01	CAP,ELY. 1uF/50V
E1602	23E38000S01	CAP,ELY. 1uF/50V
E1901	23E38001S01	CAP,ELY. 2.2uF/50V
E4001	23E39110S01	CAP,ELY. 47uF/100V
E4002	23E39110S01	CAP,ELY. 47uF/100V

MRP-M500

E4101	23E38100S01	CAP,ELY. 4.7uF/50V
E4501	23E38002S01	CAP,ELY. 4.7uF/50V
E4502	23E38002S01	CAP,ELY. 4.7uF/50V
E4901	23E39109S01	CAP,ELY. 0.47uF/50V
E4902	23E38014S01	CAP,ELY. 100uF/16V
E5001	23E38009S01	CAP,ELY. 220uF/25V
E5002	23E38014S01	CAP,ELY. 100uF/16V
E9101	23E38009S01	CAP,ELY. 220uF/25V
E9301	23E38000S01	CAP,ELY. 1uF/50V
E9302	23E38000S01	CAP,ELY. 1uF/50V
E9303	23E38018S01	CAP,ELY. 100uF/25V
E9304	23E38018S01	CAP,ELY. 100uF/25V
E9305	23E38014S01	CAP,ELY. 100uF/16V
E9306	23E38014S01	CAP,ELY. 100uF/16V
E9701	23E38002S01	CAP,ELY. 4.7uF/50V
E9702	23E38002S01	CAP,ELY. 4.7uF/50V
E9901	23E38020S01	CAP,ELY. 330uF/10V
E9902	23E38006S01	CAP,ELY. 22uF/16V
E9903	23E40240S01	CAP,ELY. 2200uF/25V
E9904	23E40240S01	CAP,ELY. 2200uF/25V
E9905	23E40240S01	CAP,ELY. 2200uF/25V
E9906	23T65601Y03	CAP,KY 272-1V-M31 +
E9907	23T65601Y03	CAP,KY 272-1V-M31 +
E9908	23T65601Y03	CAP,KY 272-1V-M31 +
E9909	23T65601Y03	CAP,KY 272-1V-M31 +
IC1101	51E38085S01	IC,NJM4560M
IC1102	51E38085S01	IC,NJM4560M
IC1201	51E38085S01	IC,NJM4560M
IC1401	51E38085S01	IC,NJM4560M
IC1501	51E38085S01	IC,NJM4560M
IC1601	51E38085S01	IC,NJM4560M
IC1801	51E38085S01	IC,NJM4560M
IC1901	51E38085S01	IC,NJM4560M
IC4102	51E36636S01	IC,NJM2903M
IC4501	51E38067S01	IC,KIC7S00FU
IC4502	51E39131S01	IC,KIC7SH08FU
IC5001	51E40344S01	IC,BD5240G
IC5002	51-04615Z01	IC,TMP87C847UG-QT
IC5003	51E38107S01	IC,NJM7805SP
IC5005	51E40342S01	IC,74VHC00MTCX
IC5201	51E39139S01	IC,BD5243G
IC9301	51E38065S01	IC,NJM79L05UA
IC9302	51E36474S01	IC,NJM78L05UA
IC9701	51E40216S01	IC,NJM2137V
IC9702	51E39132S01	IC,MC14069UBDR2G
IC9703	51E39133S01	IC,MC14081BDR2G
IC9704	51E39132S01	IC,MC14069UBDR2G
IC9801	51E38058S01	IC,IR2010S
IC9802	51E38058S01	IC,IR2010S
IC9901	51E40529S01	IC,TL494ID
L9001	24E40217S01	COIL,IND. 10uH
Q1701	48E39124S01	TR,KTC2874-B
Q1702	48E37248S01	TR,FMC2
Q4001	48E37985S01	FET,IRF3415PB
Q4002	48E37985S01	FET,IRF3415PB
Q4003	48E37985S01	FET,IRF3415PB
Q4004	48E37985S01	FET,IRF3415PB

MRP-M500

Q4401	48E38040S01	TR,DTA144EK
Q4501	48E38040S01	TR,DTA144EK
Q4502	48E36597S01	TR,DTA124EKA
Q4503	48E36572S01	TR,DTC124EKA
Q4504	48E36571S01	TR,2SC2412K
Q4901	48E39128S01	TR,KTD600K
Q9101	48E39126S01	TR,KTB985
Q9102	48E38106S01	TR,DTC143XKA
Q9103	48E39125S01	TR,KTB1241
Q9104	48E36571S01	TR,2SC2412K
Q9301	48E39129S01	TR,KTB631K
Q9302	48E39128S01	TR,KTD600K
Q9501	48E36571S01	TR,2SC2412K
Q9502	48E36571S01	TR,2SC2412K
Q9503	48E36573S01	TR,DTC144EK
Q9701	48E09036S02	TR,KTA1266-Y
Q9702	48E09036S02	TR,KTA1266-Y
Q9901	48E36597S01	TR,DTA124EKA
Q9902	48E37986S01	FET,IRF3205PB
Q9903	48E37986S01	FET,IRF3205PB
Q9904	48E37986S01	FET,IRF3205PB
Q9905	48E37986S01	FET,IRF3205PB
R1101	06E40191S01	RES,CF. 11K-1/16
R1102	06E40191S01	RES,CF. 11K-1/16
R1103	06E40188S01	RES,CF. 330-1/16
R1104	06E40188S01	RES,CF. 330-1/16
R1105	06E40191S01	RES,CF. 11K-1/16
R1106	06E40191S01	RES,CF. 11K-1/16
R1107	06E40192S01	RES,CF. 22K-1/16
R1108	06E40192S01	RES,CF. 22K-1/16
R1109	06E40187S01	RES,CF. 1K-1/16
R1110	06E40187S01	RES,CF. 1K-1/16
R1111	06E40187S01	RES,CF. 1K-1/16
R1112	06E40187S01	RES,CF. 1K-1/16
R1113	06E40190S01	RES,CF. 220K-1/16
R1114	06E40190S01	RES,CF. 220K-1/16
R1115	06E40190S01	RES,CF. 220K-1/16
R1116	06E40190S01	RES,CF. 220K-1/16
R1117	06E36464S01	RES,CF. 0-1/16W
R1118	06E36464S01	RES,CF. 0-1/16W
R1119	06E36464S01	RES,CF. 0-1/16W
R1120	06E36464S01	RES,CF. 0-1/16W
R1201	06E40189S01	RES,CF. 15K-1/16
R1202	06E40189S01	RES,CF. 15K-1/16
R1203	06E40189S01	RES,CF. 15K-1/16
R1204	06E40189S01	RES,CF. 15K-1/16
R1205	06E40189S01	RES,CF. 15K-1/16
R1206	06E40189S01	RES,CF. 15K-1/16
R1207	06E40189S01	RES,CF. 15K-1/16
R1208	06E40189S01	RES,CF. 15K-1/16
R1209	06E28790S01	RES,CF. 5.6K-1/16W
R1230	06E28790S01	RES,CF. 5.6K-1/16W
R1401	06E31152S01	RES,CF. 1.5K-1/16W
R1402	06E32033S01	RES,CF. 910-1/16W
R1501	06E28790S01	RES,CF. 5.6K-1/16W
R1502	06E28790S01	RES,CF. 5.6K-1/16W
R1503	06E28790S01	RES,CF. 5.6K-1/16W

MRP-M500

R1504	06E28790S01	RES,CF. 5.6K-1/16W
R1505	06E28790S01	RES,CF. 5.6K-1/16W
R1602	06E31805S01	RES,CF. 75K-1/16W
R1603	06E31162S01	RES,CF. 180K-1/16W
R1604	06E31162S01	RES,CF. 180K-1/16W
R1605	06E31805S01	RES,CF. 75K-1/16W
R1701	06E36620S01	RES,CF. 3.3K-1/16W
R1702	06E36463S01	RES,CF. 10K-1/16W
R1801	06E36659S01	RES,CF. 15K-1/16W
R1803	06E36659S01	RES,CF. 15K-1/16W
R1804	06E36659S01	RES,CF. 15K-1/16W
R1901	06E31683S01	RES,CF. 150K-1/16W
R1902	06E37246S01	RES,CF. 27K-1/16W
R1903	06E31156S01	RES,CF. 5.1K-1/16W
R1904	06E31156S01	RES,CF. 5.1K-1/16W
R1905	06E36616S01	RES,CF. 100-1/16W
R1906	06E31156S01	RES,CF. 5.1K-1/16W
R1907	06E31152S01	RES,CF. 1.5K-1/16W
R1908	06E37246S01	RES,CF. 27K-1/16W
R4001	06E37131S01	RES,CF. 39-1/4W
R4002	06E37131S01	RES,CF. 39-1/4W
R4003	06E22070S01	RES,CP.6R8-1/4
R4004	06E22070S01	RES,CP.6R8-1/4
R4005	06E22070S01	RES,CP.6R8-1/4
R4006	06E37131S01	RES,CF. 39-1/4W
R4007	06E37131S01	RES,CF. 39-1/4W
R4008	06E37131S01	RES,CF. 39-1/4W
R4009	06E37131S01	RES,CF. 39-1/4W
R4010	06E22070S01	RES,CP.6R8-1/4
R4011	06E22070S01	RES,CP.6R8-1/4
R4012	06E22070S01	RES,CP.6R8-1/4
R4013	06E37131S01	RES,CF. 39-1/4W
R4014	06E37131S01	RES,CF. 39-1/4W
R4015	06E40208S01	RES,MO. 27-3W
R4016	06E40208S01	RES,MO. 27-3W
R4017	06E40209S01	RES,MO. 10-3W
R4018	06E40209S01	RES,MO. 10-3W
R4103	06E40210S01	RES,CEMENT 0.01
R4104	06E40210S01	RES,CEMENT 0.01
R4105	06E40210S01	RES,CEMENT 0.01
R4106	06E40210S01	RES,CEMENT 0.01
R4107	06E36463S01	RES,CF. 10K-1/16W
R4108	06E36463S01	RES,CF. 10K-1/16W
R4109	06E36467S01	RES,CF. 2.2K-1/16W
R4110	06E36467S01	RES,CF. 2.2K-1/16W
R4111	06E40544S01	RES,CF. 110K-1/16W
R4112	06E40544S01	RES,CF. 110K-1/16W
R4113	06E36559S01	RES,CF. 47K-1/16W
R4401	06E36558S01	RES,CF. 2K-1/16W
R4402	06E31152S01	RES,CF. 1.5K-1/16W
R4403	06E36462S01	RES,CF. 4.7K-1/16W
R4501	06E32037S01	RES,CF. 120K-1/16W
R4502	06E36618S01	RES,CF. 1K-1/16W
R4503	06E36559S01	RES,CF. 47K-1/16W
R4504	06E36463S01	RES,CF. 10K-1/16W
R4505	06E36463S01	RES,CF. 10K-1/16W
R4901	06E36290S01	RES,CF. 15K-1/4W

MRP-M500

R4902	06E36290S01	RES,CF. 15K-1/4W
R5001	06E36464S01	RES,CF. 0-1/16W
R5002	06E36668S01	RES,CF. 10K-1/16W
R5003	06E36465S01	RES,CF. 1.2K-1/16W
R5004	06E36463S01	RES,CF. 10K-1/16W
R5005	06E36463S01	RES,CF. 10K-1/16W
R5007	06E36464S01	RES,CF. 0-1/16W
R5008	06E40187S01	RES,CF. 1K-1/16
R5009	06E36668S01	RES,CF. 10K-1/16W
R5010	06E36463S01	RES,CF. 10K-1/16W
R5011	06E36670S01	RES,CF. 27K-1/16W
R5012	06E36463S01	RES,CF. 10K-1/16W
R5013	06E35190S01	RES,CF. 471-F-1/16
R5014	06E36668S01	RES,CF. 10K-1/16W
R5016	06E36463S01	RES,CF. 10K-1/16W
R5017	06E36464S01	RES,CF. 0-1/16W
R5018	06E36463S01	RES,CF. 10K-1/16W
R5201	06E36463S01	RES,CF. 10K-1/16W
R5202	06E36657S01	RES,CF. 470-1/16W
R5203	06E36657S01	RES,CF. 470-1/16W
R5204	06E37165S01	RES,CF. 3.9K-1/16W
R5205	06E36469S01	RES,CF. 5.6K-1/16W
R5301	06E36624S01	RES,CF. 56K-1/16W
R5302	06E32226S01	RES,CF. 20K-1/16W
R8001	06E38582S01	RES,CF. 2.4K-1/4W
R8002	06E38582S01	RES,CF. 2.4K-1/4W
R9101	06E36556S01	RES,CF. 10K-1/4W
R9102	06E38408S01	RES,CF. 1.8K-1/4W
R9103	06E38408S01	RES,CF. 1.8K-1/4W
R9104	06E38408S01	RES,CF. 1.8K-1/4W
R9105	06E38408S01	RES,CF. 1.8K-1/4W
R9106	06E36581S01	RES,CF. 30K-1/4W
R9107	06E36559S01	RES,CF. 47K-1/16W
R9108	06E36588S01	RES,CF. 30K-1/16W
R9109	06E36556S01	RES,CF. 10K-1/4W
R9301	06E36621S01	RES,CF. 6.8K-1/16W
R9302	06E36621S01	RES,CF. 6.8K-1/16W
R9303	06E36623S01	RES,CF. 1M-1/16W
R9304	06E36623S01	RES,CF. 1M-1/16W
R9501	06E36586S01	RES,CF. 22K-1/16W
R9502	06E36559S01	RES,CF. 47K-1/16W
R9503	06E36586S01	RES,CF. 22K-1/16W
R9504	06E36559S01	RES,CF. 47K-1/16W
R9505	06E36463S01	RES,CF. 10K-1/16W
R9506	06E36463S01	RES,CF. 10K-1/16W
R9507	06E36586S01	RES,CF. 22K-1/16W
R9508	06E36463S01	RES,CF. 10K-1/16W
R9701	06E36618S01	RES,CF. 1K-1/16W
R9702	06E36618S01	RES,CF. 1K-1/16W
R9705	06E28791S01	RES,CF. 9.1K-1/16W
R9706	06E28791S01	RES,CF. 9.1K-1/16W
R9707	06E36655S01	RES,CF. 47K-1/4W
R9708	06E36655S01	RES,CF. 47K-1/4W
R9709	06E38034S01	RES,CF. 1K-1/4W
R9710	06E38034S01	RES,CF. 1K-1/4W
R9711	06E34511S01	RES,CF. 560-1/16W
R9712	06E34511S01	RES,CF. 560-1/16W

MRP-M500

R9713	06E36618S01	RES,CF. 1K-1/16W
R9714	06E36618S01	RES,CF. 1K-1/16W
R9715	06E36556S01	RES,CF. 10K-1/4W
R9716	06E36556S01	RES,CF. 10K-1/4W
R9717	06E36556S01	RES,CF. 10K-1/4W
R9718	06E36556S01	RES,CF. 10K-1/4W
R9719	06E36618S01	RES,CF. 1K-1/16W
R9720	06E36618S01	RES,CF. 1K-1/16W
R9721	06E36618S01	RES,CF. 1K-1/16W
R9722	06E36618S01	RES,CF. 1K-1/16W
R9901	06E36462S01	RES,CF. 4.7K-1/16W
R9902	06E32212S01	RES,CF. 13K-1/16W
R9903	06E36584S01	RES,CF. 820-1/16W
R9904	06E31801S01	RES,CF. 1.8K-1/16W
R9905	06E36670S01	RES,CF. 27K-1/16W
R9906	06E36465S01	RES,CF. 1.2K-1/16W
R9907	06E37165S01	RES,CF. 3.9K-1/16W
R9908	06E32290S01	RES,CF. 36K-1/16W
R9909	06E32037S01	RES,CF. 120K-1/16W
R9910	06E36586S01	RES,CF. 22K-1/16W
R9911	06E28793S01	RES,CF. 18K-1/16W
R9912	06E38099S01	RES,MO. 220-1W
R9913	06E38099S01	RES,MO. 220-1W
R9914	06E38099S01	RES,MO. 220-1W
R9915	06E38099S01	RES,MO. 220-1W
R9916	06E38746S01	RES,CF. 27-1/4W
R9917	06E38746S01	RES,CF. 27-1/4W
R9918	06E38746S01	RES,CF. 27-1/4W
R9919	06E38746S01	RES,CF. 27-1/4W
R9920	06E36555S01	RES,CF. 33-1/4W
R9921	06E36555S01	RES,CF. 33-1/4W
RA5001	06E39855S01	RES,ARRAY. 10K-1/16W
RA5002	06E39855S01	RES,ARRAY. 10K-1/16W
RA5003	06E39855S01	RES,ARRAY. 10K-1/16W
RA5004	06E39855S01	RES,ARRAY. 10K-1/16W
RA5005	06E39855S01	RES,ARRAY. 10K-1/16W
T4001	24E39142S01	COIL,CHOKE 15uH
T4002	24E39142S01	COIL,CHOKE 15uH
T9001	24E40549S01	CHOKE,TRANS AP6540D
T9901	25E40548S01	TRANS,POWER AP6520D
TH5001	48E40530S01	THERMISTOR,100K
TH9601	48E40346S01	THERMISTOR,10K
TH9602	48E40530S01	THERMISTOR,100K
Z5001	91E40215S01	FIL,EMI BK1608HM102
Z9301	91E40214S01	FIL,EMI BK2125HS601
Z9302	91E40214S01	FIL,EMI BK2125HS601
ZD4901	48E40547S01	DIODE,ZENER HZK12A1L
ZD5201	48E39118S01	DIODE,ZENER HZK15-2L
ZD5301	48E38024S01	DIODE,ZENER HZS5BLL
ZD9101	48E39101S01	DIODE,ZENER HZK6A1L
ZD9301	48E39119S01	DIODE,ZENER HZK16-1L
ZD9302	48E39119S01	DIODE,ZENER HZK16-1L
ZD9501	48E39117S01	DIODE,ZENER HZK9C1L
ZD9502	48E39117S01	DIODE,ZENER HZK9C1L

=====LED P.W.Board
C930

08E36596S01

CAP,CER. 1000pF/50V

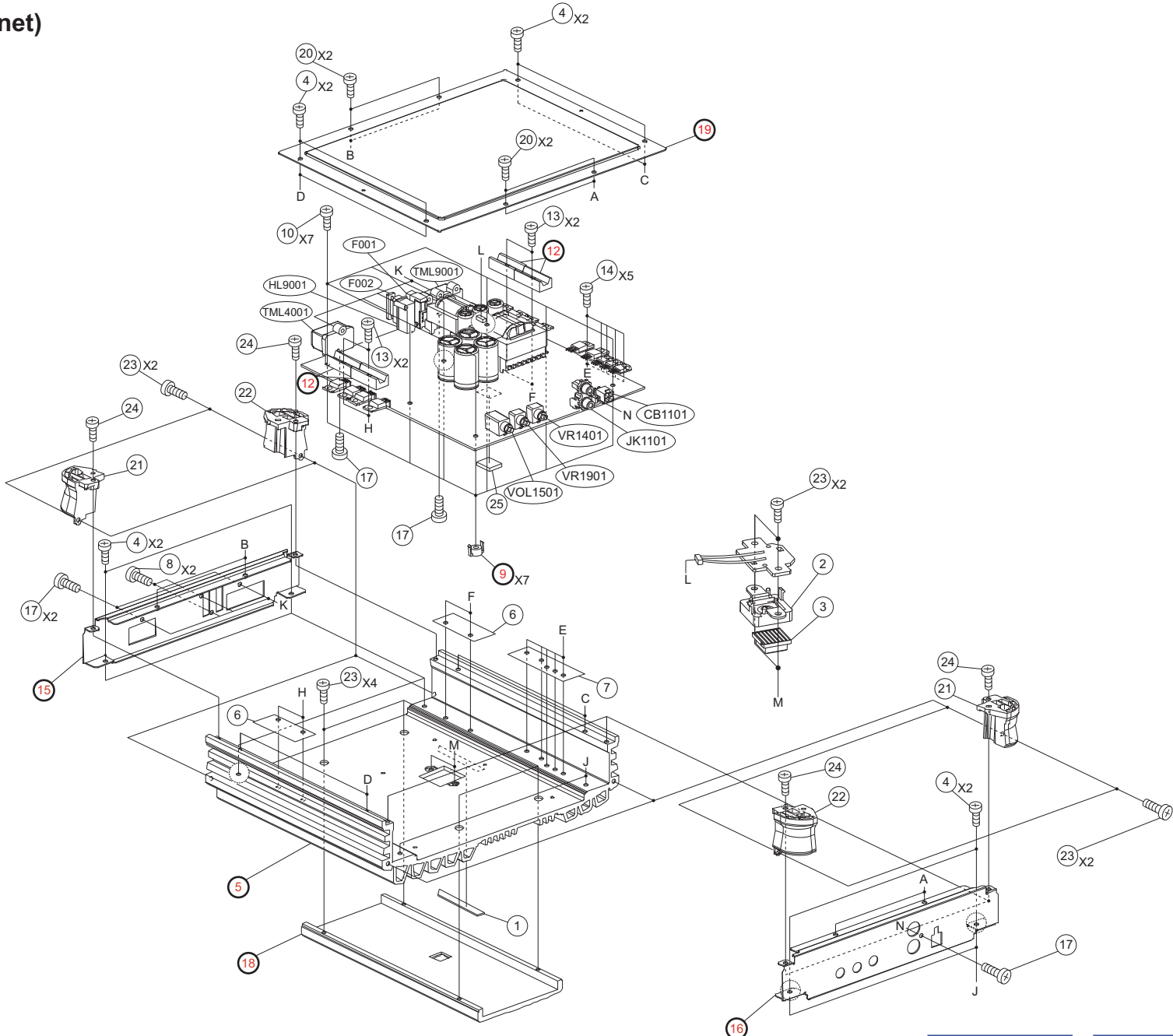
MRP-M500

CON8001	09E33654S01	ASSY,CONN 2P
LD901	48E39343S01	LED,BLU UB1106W

=====Miscellaneous

CB1101	09E39151S01	CONN,WAFER 4P
F001	65E38096S01	FUSE,AUTO 30A
F002	65E38096S01	FUSE,AUTO 30A
HL9001	09E39154S01	HOLDER,FUSE
JK1101	09E39150S01	CONN,RCA 2P
TML4001	09E39149S01	CONN,TERMINAL 2P
TML9001	09E39148S01	CONN,TERMINAL 3P
VOL1501	18E40534S01	VR,20KX4
VR1401	18E40222S01	VR,50K
VR1901	18E40221S01	VR,5K

Exploded View (Cabinet)



[TO PARTS LIST](#)

[TO CONTENTS](#)

Cabinet Assembly Parts List

NOTE : The part that has not PART NUMBER will not be supplied.

1	33E39157S01	PLATE,NAME
2	09E40543S01	HOLDER,INDICATOR
3	34E39161S01	INDICATOR,LENS
4	03E38671S01	SCR,M3X6(B)
5	-----	HEAT,SINK MAIN
6	14E37978S01	INSULATOR,SILPAD-2H
7	14E40550S01	INSULATOR,SILPAD-5H
8	03E39164S01	SCR,M2X6(P)(BLK)
9	-----	SUPPORT,PWB
10	03E39165S01	SCR,M3X11(WP)(WHT)
12	-----	HEAT,SINK BAR
13	03E38094S01	SCR,M3X15.5(WS)
14	03E37973S01	SCR,M3X12(WS)
15	-----	CHAS,FRONT
16	-----	CHAS,REAR
17	03E38698S01	SCR,M3X8(P)(BLK)
18	-----	HEAT,SINK TOP
19	-----	CHAS,BOTTOM
20	03E39163S01	SCR,M3X6(B)(WHT)
21	29E40542S01	LEG,MTG-R
22	29E40541S01	LEG,MTG-F
23	03E39166S01	SCR,M3X8(B)
24	03E38668S01	SCR,M3X10(B)(BLK)
25	14E39909S01	INSULATOR,GAPPAD-OUTPUT