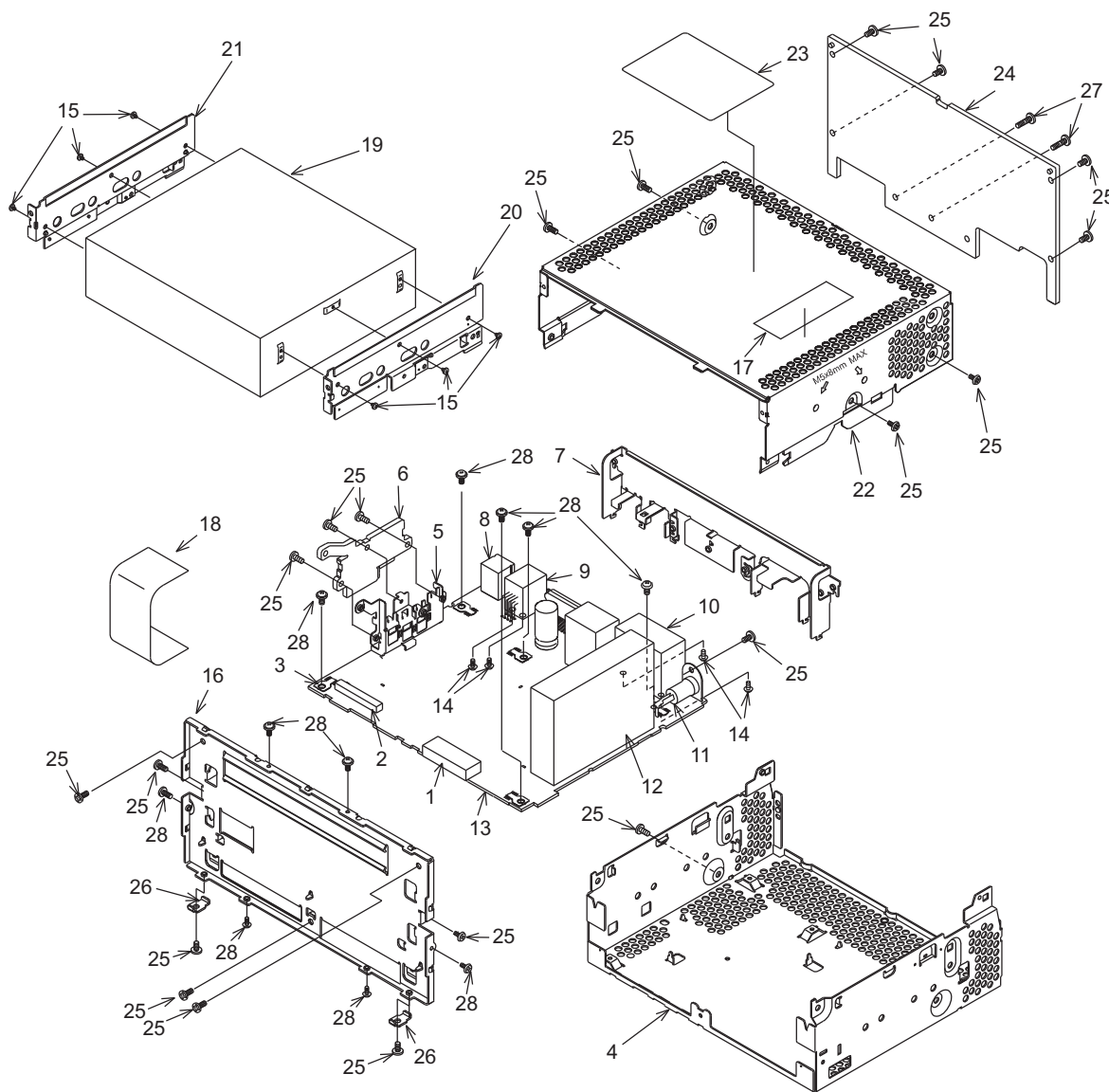


EXPLODED VIEW/PARTS LIST

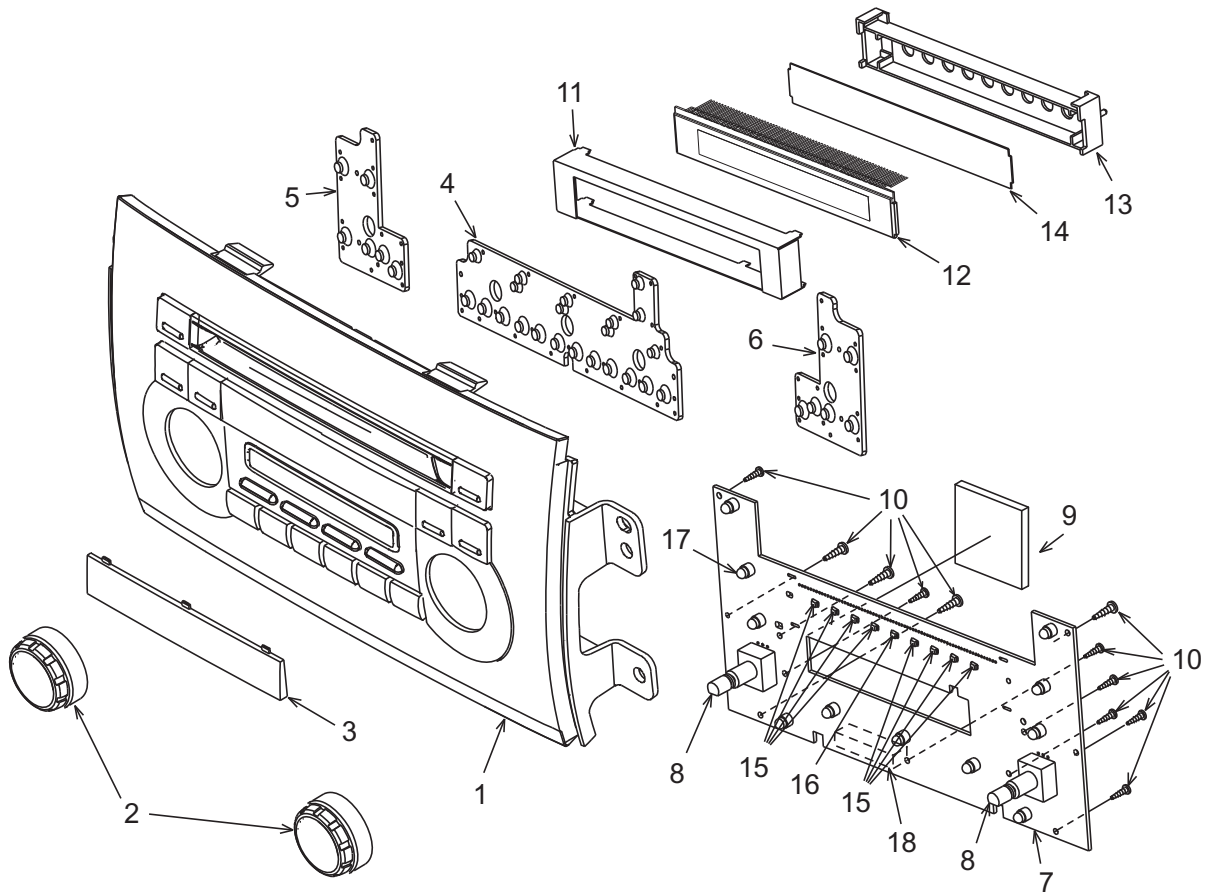
Main section



Clamping torque value of a screw is 0.4 +0.08/-0.08 Newton meter.

NO.	PART NO.	DESCRIPTION	Q'TY	NO.	PART NO.	DESCRIPTION	Q'TY
1	076-3011-74	PLUG(24P)	1	15	716-3552-00	IT SCREW(M2.3x2.5)	6
2	074-1237-69	OUTLET SOCKET	1	16	309-0819-10	ES PLATE	1
3	073-0762-90	TERMINAL	5	17	285-1960-00	GUIDE LABEL	1
4	311-1919-02	LOWER CASE	1	18	816-4024-50	FLAT WIRE	1
5	331-4126-00	TR HOLDER	1	19	929-0374-81	CD-MECH-MODULE	1
6	313-1966-00	SUB HEAT SINK	1	20	331-4091-10	CD BRKT(L)	1
7	331-4127-00	REAR PLATE	1	21	331-4092-10	CD BRKT(R)	1
8	074-1194-00	OUTLET SOCKET	1	22	310-1826-10	UPPER CASE	1
9	074-1302-08	OUTLET SOCKET	1	23	286-6186-19	SETPLATE	1
10	074-4007-20	OUTLET SOCKET	1	24	313-1962-00	HEAT SINK	1
11	092-0702-00	ANT-RECEPT	1	25	714-2606-8B	MACHINE SCREW(M2.6x6)	20
12	941-0215-80	TUNER PACK	1	26	331-4193-20	SU-PLATE	2
13	-----	Main PWB	1	27	714-2610-89	MACHINE SCREW(M2.6x10)	2
14	778-3006-00	TAP-SCREW(3x6)	4	28	716-0878-50	IT SCREW(M2.6x5)	11

Escutcheon section



Clamping torque value of a screw is 0.2 +0.04/-0.04 Newton meter.

NO.	PART NO.	DESCRIPTION	Q'TY	NO.	PART NO.	DESCRIPTION	Q'TY
1	940-8120-42	ESCUTCHEON ASSY	1	10	716-0778-51	P-TITE SCREW (2x6)	11
2	947-0602-00	KNOB ASSY	2	11	331-4264-00	LCD COVER	1
3	371-5854-00	DIAL COVER	1	12	379-1363-51	INDICATOR (LCD)	1
4	345-5589-00	RUBBER SW (CENTER)	1	13	335-7705-00	LCD HOLDER	1
5	345-5590-00	RUBBER SW (LEFT)	1	14	335-7929-00	COLOR FILTER	1
6	345-5591-00	RUBBER SW (RIGHT)	1	15	001-7048-91	DIODE RED	8
7	-----	Switch PWB	1	16	001-7087-90	DIODE RED	1
8	016-0014-12	VR W/SHAFT	2	17	017-0420-43	PILOT LAMP (14V 40mA RED)	11
9	345-6006-00	PROTECTOR	1	18	074-3013-74	OUTLETSOCKET	1

ELECTRICAL PARTS LIST

Main PWB section (B1)

Note)Some parts depend on each model.The model name is specified in the description.

REF No.	PART No.	DESCRIPTION	REF No.	PART No.	DESCRIPTION	REF No.	PART No.	DESCRIPTION
ANT101	092-0702-00	ANT-RECEPT	C353	042-1562-15	10V 220uF	D151	001-0580-90	1SS352
BL101	941-0215-80	TUNER PACK (PS-3025K-A)	C354	166-2201-50	22pF CH	D152	001-0580-90	1SS352
	941-0221-80	TUNER PACK (PS-3025K-B)	C355	166-2201-50	22pF CH	D391	001-0580-90	1SS352
C101	168-1022-55	1000pF K	C356	166-1007-50	10pF CH	D504	001-0580-90	1SS352
C103	168-1022-55	1000pF K	C357	166-1007-50	10pF CH	D505	001-0580-90	1SS352
C104	188-1073-28	10V 100uF	C358	188-1063-38	16V 10uF	D506	001-2403-90	M1F60
C105	168-1042-78	16V 0.1uF	C359	188-1063-38	16V 10uF	D507	001-4301-25	HZU4.7B1
C106	168-1042-78	16V 0.1uF	C360	188-1063-38	16V 10uF	D508	001-0466-90	S5688B
C107	188-1073-28	10V 100uF	C361	188-1063-38	16V 10uF	D509	001-0504-36	HZS7A1L
C108	168-1042-78	16V 0.1uF	C391	168-1042-78	16V 0.1uF	D701	001-0424-31	MA4180
C109	168-2232-55	0.022uF K	C392	168-1042-78	16V 0.1uF	D702	001-0424-31	MA4180
C112	168-4745-79	0.47uF Z	C393	168-1042-78	16V 0.1uF	D703	001-0424-31	MA4180
C113	168-6832-78	0.068uF K	C394	168-1042-78	16V 0.1uF	D711	001-0466-90	S5688B
C114	168-6832-78	0.068uF K	C395	168-1032-55	0.01uF K	D712	001-0466-90	S5688B
C121	166-1501-50	15pF CH	C396	163-1053-65	50V 1uF	D731	001-0466-90	S5688B
C123	168-1042-78	16V 0.1uF	C397	042-1624-00	4700 16V	D761	001-0504-39	HZS7B2L
C124	042-1458-90	50V 1uF LN	C398	163-1063-35	16V 10uF	D771	001-0347-43	MA4082LTA
C125	166-1501-50	15pF CH	C399	163-1053-65	50V 1uF	D772	001-0347-24	MA4043H
C126	166-1011-50	100pF CH	C400	166-2201-50	22pF CH	D801	001-0592-00	RM4Z
C127	166-1011-50	100pF CH	C401	166-3911-50	390pF CH	D851	001-4301-68	HZU18B1
C128	166-1011-50	100pF CH	C402	043-0570-90	16V 2.2uF K	IC121	051-6201-90	LC72146M
C129	166-1011-50	100pF CH	C403	168-5632-78	16V 0.056uF	IC151	051-3034-90	NJM4558V
C130	168-2232-55	0.022uF K	C404	043-0570-90	16V 2.2uF K	IC152	051-4607-90	SAA6581T
C131	188-4763-38	16V 47uF	C405	188-1063-38	16V 10uF	IC241	051-3367-90	NJU7780U1-33-TE2
C134	166-1011-50	100pF CH	C406	188-1073-28	10V 100uF	IC272	051-3334-00	NJM2396F0
C151	188-3363-27	10V 33uF	C407	168-1042-78	16V 0.1uF	IC351	051-3034-90	NJM4558V
C152	178-1052-78	1uF	C408	166-3911-50	390pF CH	IC391	051-2040-00	TA8276H
C153	188-4753-57	35V 4.7uF	C409	043-0570-90	16V 2.2uF K	IC401	051-5046-90	CL7639V20
C154	168-1042-78	16V 0.1uF	C410	168-5632-78	16V 0.056uF	IC501	052-3211-01	M30624MGP-D92GP
C155	168-2232-55	0.022uF K	C411	043-0570-90	16V 2.2uF K	IC502	051-0869-58	NJM2103M
C156	166-6811-50	680pF	C412	168-1042-78	16V 0.1uF	IC503	051-9400-29	BR93L46F-W
C157	168-2232-55	0.022uF K	C417	178-4742-78	0.47uF	IC504	051-6600-58	HA12187FP
C158	166-8211-50	820pF	C418	168-4722-55	4700pF K	IC741	051-3369-00	NJM2388F8
C159	168-1032-55	0.01uF K	C419	178-4742-78	0.47uF	J241	074-1237-69	19PIN
C161	188-4763-18	6.3V 47uF	C420	168-4722-55	4700pF K	J701	074-1194-00	13PIN
C162	168-1042-78	16V 0.1uF	C421	178-4742-78	0.47uF	J721	074-1302-08	8PIN
C163	166-5611-50	560pF CH	C422	168-4722-55	4700pF K	J801	074-4007-20	20PIN
C164	168-1032-55	0.01uF K	C423	178-4742-78	0.47uF	L101	010-2003-04	30uH
C165	166-3901-50	39pF CH	C424	168-4722-55	4700pF K	L102	010-6009-76	22uH J
C166	166-3311-50	330pF CH	C501	168-1042-78	16V 0.1uF	L103	010-6009-76	22uH J
C167	188-2253-68	50V 2.2uF	C502	188-4763-18	6.3V 47uF	L121	010-6009-76	22uH J
C168	166-3901-50	39pF CH	C503	168-1032-55	0.01uF K	L151	010-6027-00	220uH J
C169	168-1822-55	1800pF K	C504	168-1032-55	0.01uF K	L501	010-6009-76	22uH J
C170	168-8222-55	8200pF K	C505	168-1032-55	0.01uF K	L502	010-6009-76	22uH J
C171	168-2232-55	0.022uF K	C506	168-1042-78	16V 0.1uF	L801	010-8026-00	210uH
C212	188-4763-38	16V 47uF	C507	188-1053-68	50V 1uF	P501	076-3011-74	24P PLUG
C222	168-1042-78	16V 0.1uF	C509	168-1022-55	1000pF K	Q121	191-1197-50	2SB1197K Q,R
C241	168-2232-55	0.022uF K	C510	168-1022-55	1000pF K	Q122	191-1197-50	2SB1197K Q,R
C243	188-4763-38	16V 47uF	C511	168-1042-78	16V 0.1uF	Q123	191-1197-50	2SB1197K Q,R
C244	168-1042-78	16V 0.1uF	C512	168-1032-55	0.01uF K	Q151	125-2041-92	RT1N141M
C245	168-1042-78	16V 0.1uF	C513	189-1073-29	10V 100uF	Q152	192-4155-51	2SC4155A S,T
C274	189-2273-29	10V 220uF	C514	168-1042-78	16V 0.1uF	Q153	125-0034-92	RT1P141M
C276	043-0328-90	0.1uF	C515	166-1011-50	100pF CH	Q154	125-2041-92	RT1N141M
C301	178-1052-78	1uF	C516	188-1063-38	16V 10uF	Q155	198-0669-00	2SK669
C302	178-1052-78	1uF	C517	042-0559-00	0.1F 5.5V	Q156	125-0034-92	RT1P141M
C305	178-1052-78	1uF	C722	168-1042-78	16V 0.1uF	Q157	125-2041-92	RT1N141M
C306	178-1052-78	1uF	C731	172-1041-15	0.1uF	Q158	125-2041-92	RT1N141M
C309	168-1832-55	0.018uF K	C732	188-1053-68	50V 1uF	Q159	125-2038-92	RN1902
C310	168-1832-55	0.018uF K	C741	043-0328-90	0.1uF	Q241	125-0034-92	RT1P141M
C311	188-2253-68	50V 2.2uF	C744	188-1073-28	10V 100uF	Q242	125-2041-92	RT1N141M
C312	188-2253-68	50V 2.2uF	C761	188-1063-38	16V 10uF	Q243	193-0601-00	2SD601A
C313	188-2253-68	50V 2.2uF	C762	188-1063-38	16V 10uF	Q244	192-4155-51	2SC4155A S,T
C314	188-2253-68	50V 2.2uF	C771	188-1073-28	10V 100uF	Q245	125-2041-92	RT1N141M
C318	168-1522-55	1500pF K	C772	188-1063-38	16V 10uF	Q246	125-0034-92	RT1P141M
C319	168-1522-55	1500pF K	C773	168-1042-78	16V 0.1uF	Q247	125-2041-92	RT1N141M
C334	166-4711-50	470pF CH	C774	178-4755-79	4.7uF	Q248	198-3018-00	2SK3018
C335	166-4711-50	470pF CH	C811	172-1041-15	0.1uF	Q249	198-3018-00	2SK3018
C346	188-1073-28	10V 100uF	C821	188-1063-38	16V 10uF	Q391	125-2041-92	RT1N141M
C352	168-1042-78	16V 0.1uF	CCT501	050-0140-54	1/32W 1k ohm x4J	Q392	192-4155-51	2SC4155A S,T
			CCT504	050-0140-54	1/32W 1k ohm x4J	Q502	190-2071-00	2SA2071 T100
			CCT505	050-0140-54	1/32W 1k ohm x4J	Q503	192-4155-51	2SC4155A S,T

REF No.	PART No.	DESCRIPTION	REF No.	PART No.	DESCRIPTION	REF No.	PART No.	DESCRIPTION
Q504	192-4155-51	2SC4155A S,T	R258	119-4731-15	1/10W 47k ohm	R541	119-5621-15	1/10W 5.6k ohm
Q505	192-4155-51	2SC4155A S,T	R271	119-4731-15	1/10W 47k ohm	R542	119-2231-15	1/10W 22k ohm
Q506	193-2118-50	2SD2118F5 R,S	R273	119-0000-05	1/10W 0 ohm JW	R544	119-4731-15	1/10W 47k ohm
Q701	192-4155-51	2SC4155A S,T	R301	119-1021-15	1/10W 1k ohm	R545	119-6831-15	1/10W 68k ohm
Q711	190-2071-00	2SA2071 T100	R302	119-1021-15	1/10W 1k ohm	R546	119-1021-15	1/10W 1k ohm
Q712	192-4155-51	2SC4155A S,T	R305	119-1021-15	1/10W 1k ohm	R547	119-1021-15	1/10W 1k ohm
Q761	192-5810-00	2SC5810 TE12L	R306	119-1021-15	1/10W 1k ohm	R548	119-1031-15	1/10W 10k ohm
Q762	125-0034-92	RT1P141M	R309	119-1021-15	1/10W 1k ohm	R549	119-3341-15	1/10W 330k ohm
Q763	125-2041-92	RT1N141M	R310	119-1021-15	1/10W 1k ohm	R550	032-0140-22	1/10W 68k ohm F
Q771	192-5886-00	2SC5886	R311	119-5631-15	1/10W 56k ohm	R551	032-0140-00	1/10W 56k ohm F
Q772	192-4155-51	2SC4155A S,T	R312	119-5631-15	1/10W 56k ohm	R552	117-6821-15	1/8W 6.8k ohm
Q773	192-4155-51	2SC4155A S,T	R313	119-5631-15	1/10W 56k ohm	R553	119-4731-15	1/10W 47k ohm
Q774	192-4155-51	2SC4155A S,T	R314	119-5631-15	1/10W 56k ohm	R554	119-4731-15	1/10W 47k ohm
Q775	192-4155-51	2SC4155A S,T	R323	119-0000-05	1/10W 0 ohm JW	R555	119-5621-15	1/10W 5.6k ohm
Q776	125-0034-92	RT1P141M	R324	119-0000-05	1/10W 0 ohm JW	R556	119-1021-15	1/10W 1k ohm
Q777	125-2041-92	RT1N141M	R325	119-0000-05	1/10W 0 ohm JW	R557	119-4731-15	1/10W 47k ohm
Q821	190-2071-00	2SA2071 T100	R326	119-0000-05	1/10W 0 ohm JW	R558	119-1031-15	1/10W 10k ohm
Q822	192-4155-51	2SC4155A S,T	R351	119-8211-15	1/10W 820 ohm	R559	119-1021-15	1/10W 1k ohm
R101	119-0000-05	1/10W 0 ohm JW	R352	119-1021-15	1/10W 1k ohm	R560	119-1021-15	1/10W 1k ohm
R102	119-0000-05	1/10W 0 ohm JW	R353	032-0140-50	1/10W 10k ohm F	R561	119-1021-15	1/10W 1k ohm
R103	119-1041-15	1/10W 100k ohm	R354	032-0140-50	1/10W 10k ohm F	R562	119-1021-15	1/10W 1k ohm
R104	119-0000-05	1/10W 0 ohm JW	R355	032-0140-50	1/10W 10k ohm F	R563	119-0000-05	1/10W 0 ohm JW
R105	119-4711-15	1/10W 470 ohm	R356	032-0140-50	1/10W 10k ohm F	R564	119-1021-15	1/10W 1k ohm
R106	119-2221-15	1/10W 2.2k ohm	R357	032-0140-50	1/10W 10k ohm F	R566	119-1021-15	1/10W 1k ohm
R107	116-1001-15	1/4W 10 ohm	R358	032-0140-50	1/10W 10k ohm F	R568	119-4731-15	1/10W 47k ohm
R108	119-2231-15	1/10W 22k ohm	R359	032-0140-50	1/10W 10k ohm F	R569	119-4731-15	1/10W 47k ohm
R109	119-4731-15	1/10W 47k ohm	R360	032-0140-50	1/10W 10k ohm F	R572	119-4731-15	1/10W 47k ohm
R111	119-0000-05	1/10W 0 ohm JW (PS-3025K-A)	R391	119-5631-15	1/10W 56k ohm	R573	119-4731-15	1/10W 47k ohm
	166-8201-50	82pF CH (PS-3025K-B)	R392	119-1221-15	1/10W 1.2k ohm	R576	119-0000-05	1/10W 0 ohm JW
R122	119-2221-15	1/10W 2.2k ohm	R393	119-2221-15	1/10W 2.2k ohm	R701	116-1211-15	1/4W 120 ohm
R125	119-1021-15	1/10W 1k ohm	R394	119-2221-15	1/10W 2.2k ohm	R702	116-6801-15	1/4W 68 ohm
R127	119-5631-15	1/10W 56k ohm	R395	119-2221-15	1/10W 2.2k ohm	R703	119-2231-15	1/10W 22k ohm
R128	119-4731-15	1/10W 47k ohm	R396	119-2221-15	1/10W 2.2k ohm	R704	119-2231-15	1/10W 22k ohm
R130	119-2221-15	1/10W 2.2k ohm	R397	119-1031-15	1/10W 10k ohm	R711	116-2221-15	1/4W 2.2k ohm
R131	119-1031-15	1/10W 10k ohm	R398	119-4731-15	1/10W 47k ohm	R712	117-1031-15	1/8W 10k ohm
R132	119-1031-15	1/10W 10k ohm	R399	119-4731-15	1/10W 47k ohm	R713	116-2221-15	1/4W 2.2k ohm
R133	119-2221-15	1/10W 2.2k ohm	R400	119-1031-15	1/10W 10k ohm	R714	119-1031-15	1/10W 10k ohm
R134	119-2221-15	1/10W 2.2k ohm	R401	119-2231-15	1/10W 22k ohm	R715	119-3321-15	1/10W 3.3k ohm
R135	119-1031-15	1/10W 10k ohm	R402	119-2021-15	1/10W 2k ohm	R726	119-1021-15	1/10W 1k ohm
R151	119-1021-15	1/10W 1k ohm	R403	119-2231-15	1/10W 22k ohm	R731	116-5621-15	1/4W 5.6k ohm
R152	119-5621-15	1/10W 5.6k ohm	R404	119-2021-15	1/10W 2k ohm	R732	116-4721-15	1/4W 4.7k ohm
R153	119-3311-15	1/10W 330 ohm	R405	119-0000-05	1/10W 0 ohm JW	R761	032-0092-56	1/8W 22k ohm F
R154	119-1021-15	1/10W 1k ohm	R502	119-4721-15	1/10W 4.7k ohm	R762	119-1541-15	1/10W 150k ohm
R155	119-3331-15	1/10W 33k ohm	R503	119-4721-15	1/10W 4.7k ohm	R763	032-0092-51	1/8W 1k ohm F
R156	119-1031-15	1/10W 10k ohm	R504	119-4721-15	1/10W 4.7k ohm	R764	119-1221-15	1/10W 1.2k ohm
R157	119-1231-15	1/10W 12k ohm	R510	119-4721-15	1/10W 4.7k ohm	R771	119-0000-05	1/10W 0 ohm JW
R158	119-3321-15	1/10W 3.3k ohm	R511	119-4721-15	1/10W 4.7k ohm	R772	119-2231-15	1/10W 22k ohm
R159	119-1041-15	1/10W 100k ohm	R512	119-4721-15	1/10W 4.7k ohm	R773	116-1021-15	1/4W 1k ohm
R160	119-2211-15	1/10W 220 ohm	R513	119-4721-15	1/10W 4.7k ohm	R775	119-2231-15	1/10W 22k ohm
R161	119-0000-05	1/10W 0 ohm JW	R514	119-1021-15	1/10W 1k ohm	R776	119-2231-15	1/10W 22k ohm
R162	119-1021-15	1/10W 1k ohm	R515	119-1041-15	1/10W 100k ohm	R777	117-4731-15	1/8W 47k ohm
R163	119-1021-15	1/10W 1k ohm	R516	119-1041-15	1/10W 100k ohm	R778	119-1031-15	1/10W 10k ohm
R164	119-2221-15	1/10W 2.2k ohm	R517	116-1001-15	1/4W 10 ohm	R779	116-1821-15	1/4W 1.8k ohm
R165	119-5631-15	1/10W 56k ohm	R520	119-4731-15	1/10W 47k ohm	R780	117-1821-15	1/8W 1.8k ohm
R166	119-1231-15	1/10W 12k ohm	R521	119-4731-15	1/10W 47k ohm	R783	119-2231-15	1/10W 22k ohm
R167	116-3311-15	1/4W 330 ohm	R522	119-4731-15	1/10W 47k ohm	R793	119-0000-05	1/10W 0 ohm JW
R168	119-1031-15	1/10W 10k ohm	R524	119-1521-15	1/10W 1.5k ohm	R801	119-0000-05	1/10W 0 ohm JW
R169	119-2711-15	1/10W 270 ohm	R525	119-1021-15	1/10W 1k ohm	R802	119-0000-05	1/10W 0 ohm JW
R170	119-1021-15	1/10W 1k ohm	R526	119-3311-15	1/10W 330 ohm	R821	116-1031-15	1/4W 10k ohm
R171	119-0000-05	1/10W 0 ohm JW	R527	119-4721-15	1/10W 4.7k ohm	R822	119-3321-15	1/10W 3.3k ohm
R172	119-1021-15	1/10W 1k ohm	R528	032-0140-66	1/10W 220 ohm F	R823	119-1031-15	1/10W 10k ohm
R173	119-1031-15	1/10W 10k ohm	R529	119-1031-15	1/10W 10k ohm	R824	116-2221-15	1/4W 2.2k ohm
R242	119-4731-15	1/10W 47k ohm	R530	119-1041-15	1/10W 100k ohm	R825	116-2221-15	1/4W 2.2k ohm
R243	119-1021-15	1/10W 1k ohm	R531	119-1031-15	1/10W 10k ohm	R826	119-8221-15	1/10W 8.2k ohm
R245	119-3331-15	1/10W 33k ohm	R532	119-4721-15	1/10W 4.7k ohm	R903	119-0000-05	1/10W 0 ohm JW (PS-3025K-B)
R246	119-4731-15	1/10W 47k ohm	R533	119-4721-15	1/10W 4.7k ohm	R904	119-0000-05	1/10W 0 ohm JW (PS-3025K-B)
R248	119-1041-15	1/10W 100k ohm	R534	119-1021-15	1/10W 1k ohm	R905	119-0000-05	1/10W 0 ohm JW (PS-3025K-B)
R250	119-3331-15	1/10W 33k ohm	R535	119-1031-15	1/10W 10k ohm	R908	119-0000-05	1/10W 0 ohm JW (PS-3025K-A)
R253	119-4731-15	1/10W 47k ohm	R536	119-2221-15	1/10W 2.2k ohm			
R255	119-3331-15	1/10W 33k ohm	R537	119-1031-15	1/10W 10k ohm			
R256	119-0000-05	1/10W 0 ohm JW	R538	119-1031-15	1/10W 10k ohm			
			R539	119-1031-15	1/10W 10k ohm			
			R540	119-4731-15	1/10W 47k ohm	SUP101	060-0122-20	DSP-141N-S00B

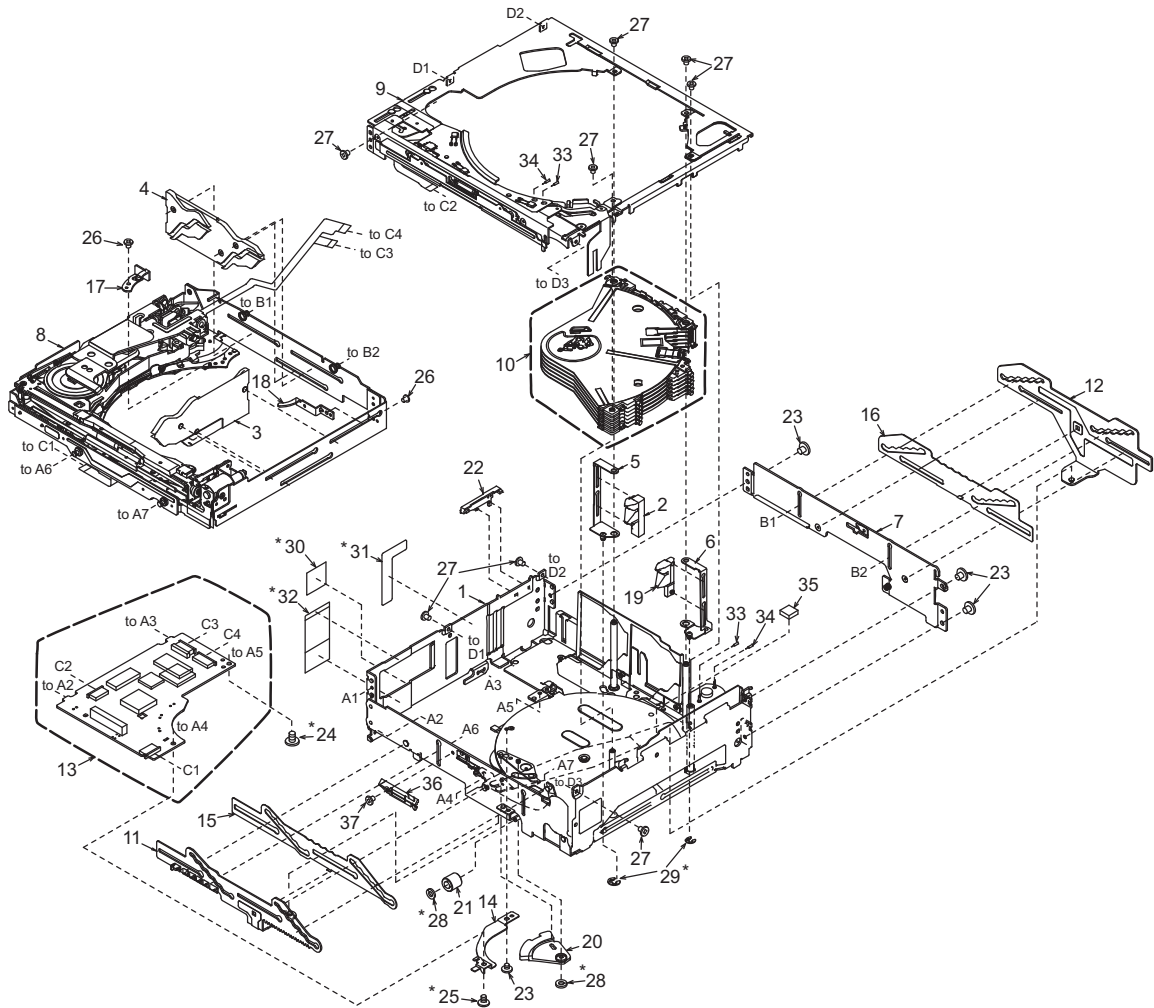
REF No.	PART No.	DESCRIPTION	REF No.	PART No.	DESCRIPTION	REF No.	PART No.	DESCRIPTION
TH711	002-0318-21	THERMISTOR	TM801	073-0762-90	TERMINAL	X501	060-1533-90	CSTCE10M0G52-RO
TM101	073-0762-90	TERMINAL	TM802	073-0762-90	TERMINAL	PWB	039-3108-00	PWB(WITHOUT COMPONENT)
TM501	073-0762-90	TERMINAL	X121	061-1066-00	CRYSTAL 7.2MHZ			
TM502	073-0762-90	TERMINAL	X151	061-3013-00	CRYSTAL 4.332MHZ			

Switch PWB section (B2)

REF No.	PART No.	DESCRIPTION	REF No.	PART No.	DESCRIPTION	REF No.	PART No.	DESCRIPTION
C100	168-1042-78	16V 0.1uF	D116	001-0580-90	1SS352	R111	119-1221-15	1/10W 1.2k ohm
C101	168-1042-78	16V 0.1uF	IC100	051-6084-00	NJU6625FG1-03	R112	119-2221-15	1/10W 2.2k ohm
C102	168-1042-78	16V 0.1uF	J100	074-3013-74	24P	R113	119-2221-15	1/10W 2.2k ohm
C103	168-1042-78	16V 0.1uF	L100	010-3406-66	22uH J	R114	119-1821-15	1/10W 1.8k ohm
C104	168-1042-78	16V 0.1uF	LCD100	379-1363-51	INDICATOR(LCD)	R116	119-0000-05	1/10W 0 ohm JW
C105	178-1052-78	1uF	PL100	017-0420-43	14V 40mA RED	R117	119-0000-05	1/10W 0 ohm JW
D100	001-7048-91	RFR1112H-22 C,D RED	PL101	017-0420-43	14V 40mA RED	R121	119-4341-15	1/10W 430k ohm
D101	001-7048-91	RFR1112H-22 C,D RED	PL102	017-0420-43	14V 40mA RED	R122	119-0000-05	1/10W 0 ohm JW
D102	001-7048-91	RFR1112H-22 C,D RED	PL104	017-0420-43	14V 40mA RED	R123	119-0000-05	1/10W 0 ohm JW
D103	001-7048-91	RFR1112H-22 C,D RED	PL105	017-0420-43	14V 40mA RED	R125	119-0000-05	1/10W 0 ohm JW
D104	001-7087-90	RBR1112H C,D,E RED	PL106	017-0420-43	14V 40mA RED	R126	119-0000-05	1/10W 0 ohm JW
D105	001-7048-91	RFR1112H-22 C,D RED	PL107	017-0420-43	14V 40mA RED	R128	119-1021-15	1/10W 1k ohm
D106	001-7048-91	RFR1112H-22 C,D RED	PL108	017-0420-43	14V 40mA RED	R129	119-1021-15	1/10W 1k ohm
D107	001-7048-91	RFR1112H-22 C,D RED	PL109	017-0420-43	14V 40mA RED	R131	119-0000-05	1/10W 0 ohm JW
D108	001-7048-91	RFR1112H-22 C,D RED	PL110	017-0420-43	14V 40mA RED	R132	119-0000-05	1/10W 0 ohm JW
D113	001-0580-90	1SS352	PL111	017-0420-43	14V 40mA RED	R140	119-0000-05	1/10W 0 ohm JW
D114	001-0580-90	1SS352	R100	119-1521-15	1/10W 1.5k ohm	R200	119-1841-15	1/10W 180k ohm
D115	001-0580-90	1SS352	R101	119-1221-15	1/10W 1.2k ohm	R201	119-1841-15	1/10W 180k ohm
			R102	119-1221-15	1/10W 1.2k ohm	R202	119-1841-15	1/10W 180k ohm
			R103	119-1521-15	1/10W 1.5k ohm	R203	119-1841-15	1/10W 180k ohm
			R104	119-1221-15	1/10W 1.2k ohm	TH100	002-0306-90	SC20-3J153
			R105	119-1221-15	1/10W 1.2k ohm	TM100	073-0778-90	TERMINAL
			R106	119-1521-15	1/10W 1.5k ohm	VR100	016-0014-12	VR W/SHAFT
			R107	119-1221-15	1/10W 1.2k ohm	VR101	016-0014-12	VR W/SHAFT
			R108	119-1221-15	1/10W 1.2k ohm	PWB	039-3035-00	PWB(WITHOUT COMPONENT)
			R109	119-1521-15	1/10W 1.5k ohm			
			R110	119-1221-15	1/10W 1.2k ohm			

EXPLODED VIEW/PARTS LIST

Main section

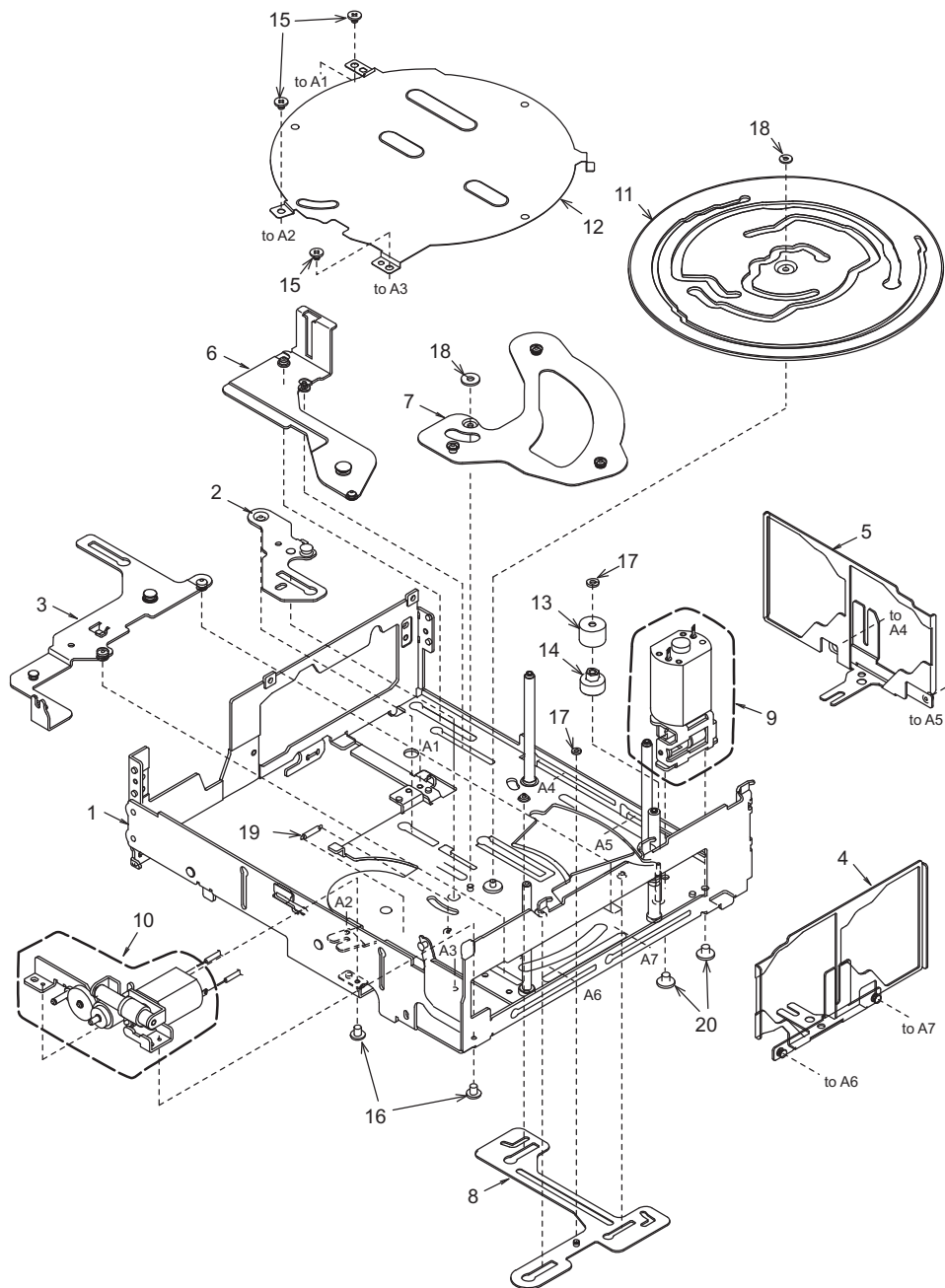


* Do not reuse the following parts.

(No.24,25,28,29,30,31,32)

NO.	PART NO.	DESCRIPTION	Q'TY	NO.	PART NO.	DESCRIPTION	Q'TY
1	966-1864-20	LOWER UNIT ASSY	1	20	621-1636-24	SW LINK	1
2	966-0667-21	DISC STP-ASSY L	1	21	621-1765-20	UD-GEAR-D	1
3	HBS-586-100	DH-SEL-ASSY S	1	22	621-1715-20	FPC-STOPPER	1
4	HBS-587-100	DH-SEL-ASSY R	1	23	716-1850-01	SCREW(M2.0x2.0)	4
5	966-0670-22	DS-SP-ASSY L	1	24	716-1850-02	SCREW(M2.0x2.0)	1
6	966-0671-23	DS-SP-ASSY R	1	25	716-1851-02	SCREW(M2.0x3.0)	1
7	966-0672-21	REAR-P-ASSY	1	26	716-3450-00	SCREW(M1.7x2.0)	2
8	966-1753-22	S-DRIVE-CH UNIT	1	27	716-3451-01	SCREW(M1.7x2.5)	8
9	966-1863-20	UPPER UNIT ASSY	1	28	746-0761-00	WASHER	2
10	HBS-566-300	DISC HOLDER UNIT	1	29	744-0045-01	C-RING	2
11	966-1771-21	SLIDE-P-ASSY F	1	30	347-7271-00	FPC SHEET	1
12	966-0709-21	SLIDE-P-ASSY R	1	31	347-7275-00	PROTECT SHEET	1
13	HBS-599-100	CD-PWB-ASSY	1	32	347-7276-00	FPC-SHEET C	1
14	620-1640-20	SW-H-PLATE	1	33	800-4921-60	VINYL-COAT-WIRE	1
15	620-1778-20	GAP PLATE F	1	34	802-4921-60	VINYL-COAT-WIRE	1
16	620-1662-21	GAP PLATE R	1	35	345-5824-00	RUBBER PART	1
17	620-1685-21	DS-PLATE L	1	36	621-1763-20	LOADING GUIDE B	1
18	620-1686-20	DS-PLATE R	1	37	716-1859-01	IT SCREW(M1.7 x 2)	1
19	621-1634-23	DISC STOPPER R	1				


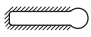

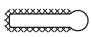

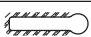


Lower unit assy section : 966-1864-20

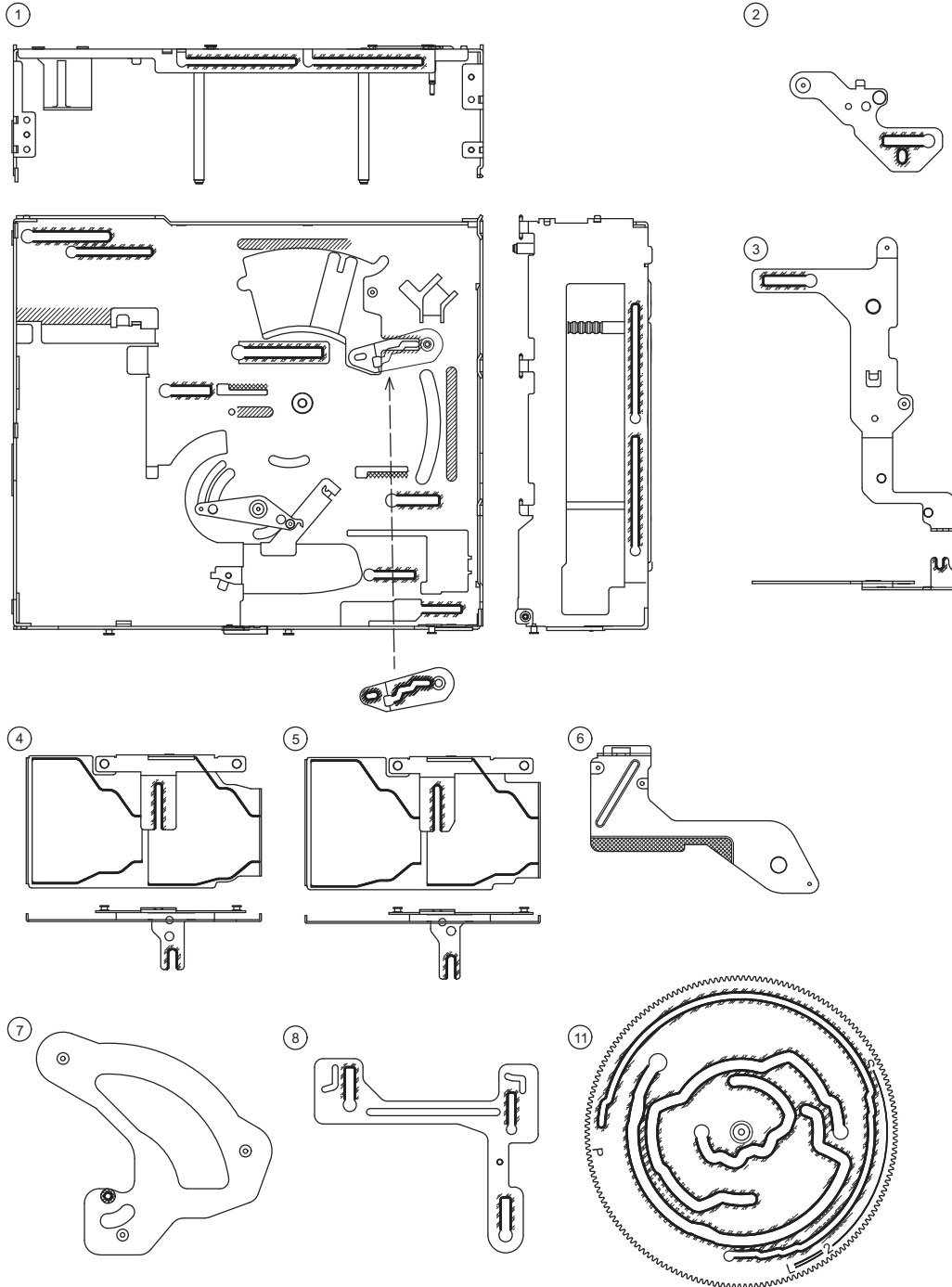


NO.	PART NO.	DESCRIPTION	Q'TY	NO.	PART NO.	DESCRIPTION	Q'TY
1	966-1757-25	LOWER-C-ASSY	1	11	620-1623-24	CAM GEAR	1
2	966-0658-22	DH-SP-ASSY A	1	12	620-1624-24	GEAR COVER	1
3	966-1758-20	DS-SP-ASSY A	1	13	621-0732-21	M-GEAR B	1
4	966-0660-22	DH-SP-ASSY S	1	14	621-0733-20	M-GEAR C	1
5	966-0661-23	DH-SP-ASSY R	1	15	716-1850-01	SCREW(M2.0x2.0)	5
6	966-0677-23	D-SHT PL-B-ASSY	1	16	716-3451-01	SCREW(M1.7x2.5)	2
7	966-0659-22	DH-SP-ASSY B	1	17	746-0761-00	WASHER	2
8	966-0666-22	DS-SP-ASSY B	1	18	746-0768-00	WASHER	2
9	HBS-546-100	M-MTR SUB ASSY	1	19	750-6756-20	SW-L-SPRING	1
10	HBS-568-100	UD-MOTOR-ASSY	1	20	716-1851-03	SCREW(M2.0x3.0)	2

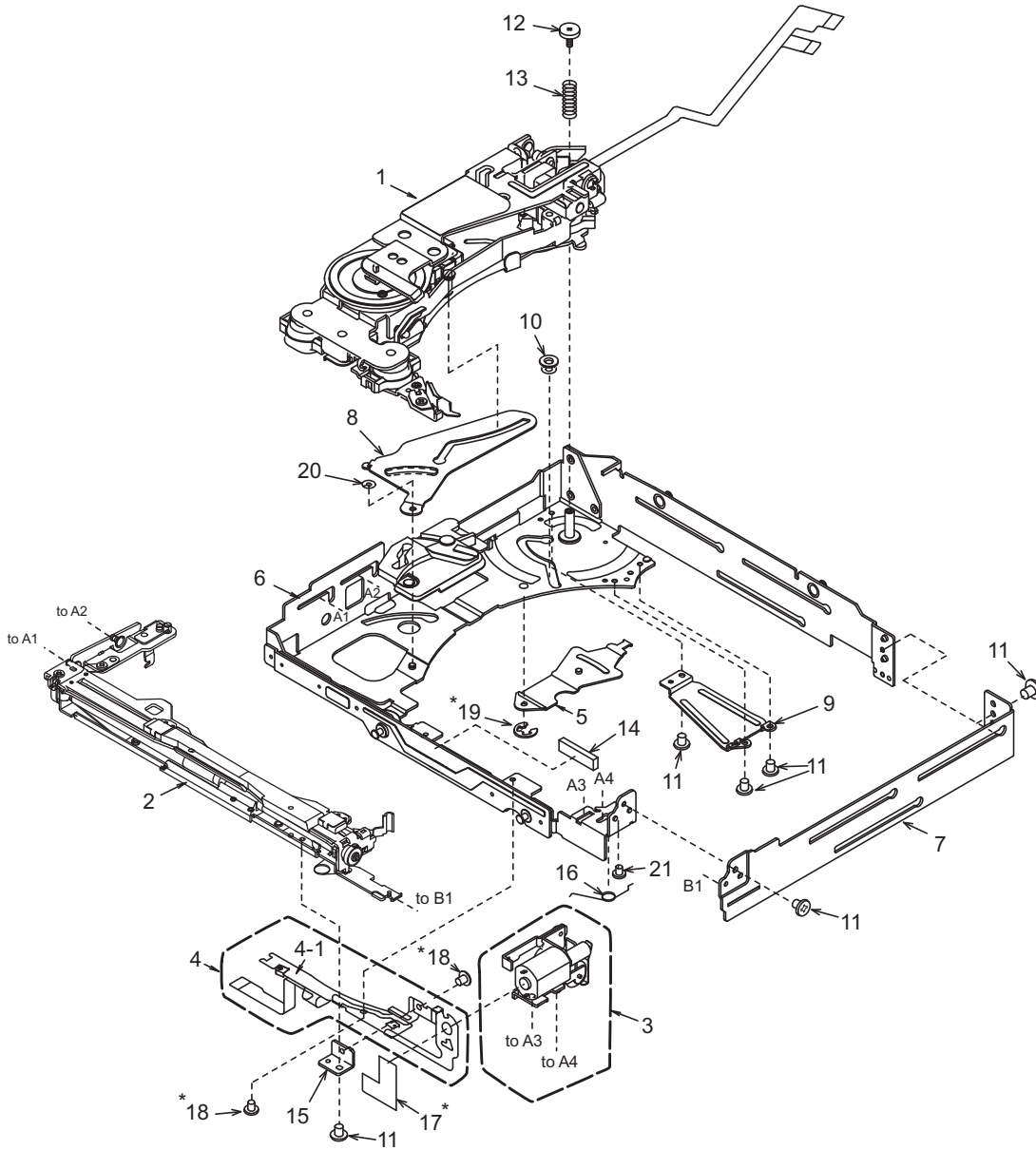
[Grease Point]

* Grease: SANKOL FG-87HSR

	Put grease on the surface	
	Put grease on the reverse side	
	Put grease on the both sides	
	Put grease on the edge	



S-Drive-CH unit section : 966-1753-22


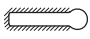

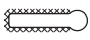

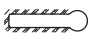




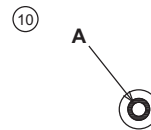
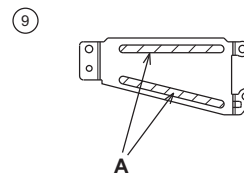
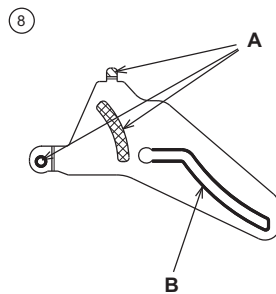
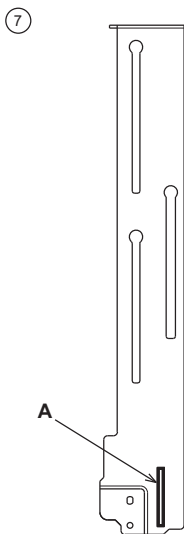
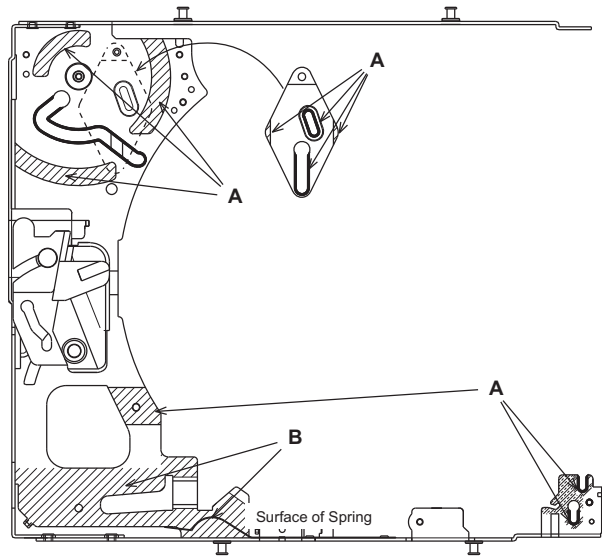
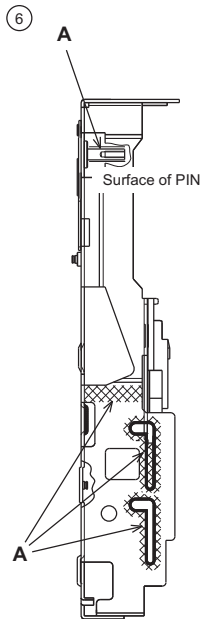
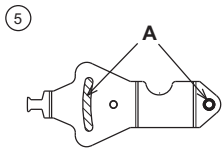
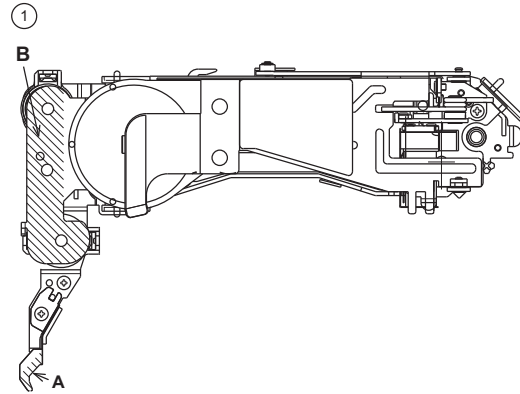
* Do not reuse the following parts.
(No.17,18,19,20)

NO.	PART NO.	DESCRIPTION	Q'TY	NO.	PART NO.	DESCRIPTION	Q'TY
1	HBS-565-200	N-DRIVE UNIT	1	11	716-3450-00	SCREW(M1.7x2.0)	6
2	HBS-567-200	LOADING-U-ASSY	1	12	716-3459-01	SCREW(M1.7x2.0)	1
3	HBS-556-100	LO-MOTOR-S-ASSY	1	13	750-6761-20	DRIVE SPRING A	1
4	HBS-552-200	L-SENSOR-S-ASSY	1	14	345-5868-01	RUBBER PART	1
4-1	-----	SENSOR-L-FPC	1	15	620-1651-21	S-PWB-PLATE	1
5	966-0676-21	D-SHT LK-A-ASSY	1	16	750-6754-20	LO-ES-SPRING B	1
6	966-1755-22	DRIVE-CH A ASSY	1	17	345-5424-01	SEN-FPC GUIDE	1
7	620-1681-21	DRIVE CHASSIS B	1	18	716-1859-01	SCREW(M1.7x2.0)	2
8	620-1672-21	DR-SUPPORT-PL	1	19	744-0039-00	E-RING	1
9	620-1680-20	D-SHIFT COVER	1	20	746-0870-00	WASHER	1
10	622-1743-21	D-SHIFT ROLLER B	1	21	716-3538-00	SCREW(M1.7x2.0)	1

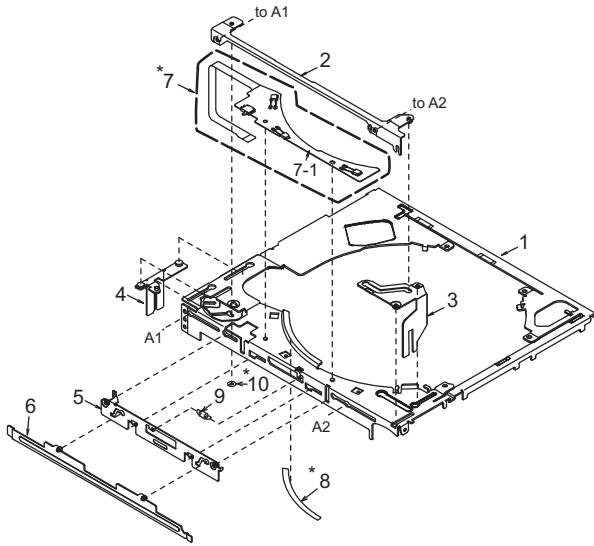
[Grease Point]

- * Grease A: SANKOL FG-87HSR
- * Grease B: SANKOL CFD-006MBL

	Put grease on the surface	
	Put grease on the reverse side	
	Put grease on the both sides	
	Put grease on the edge	



Upper unit assy section : 966-1764-21



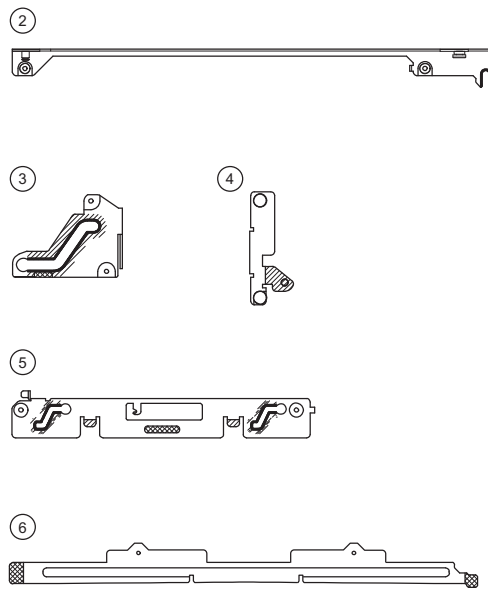
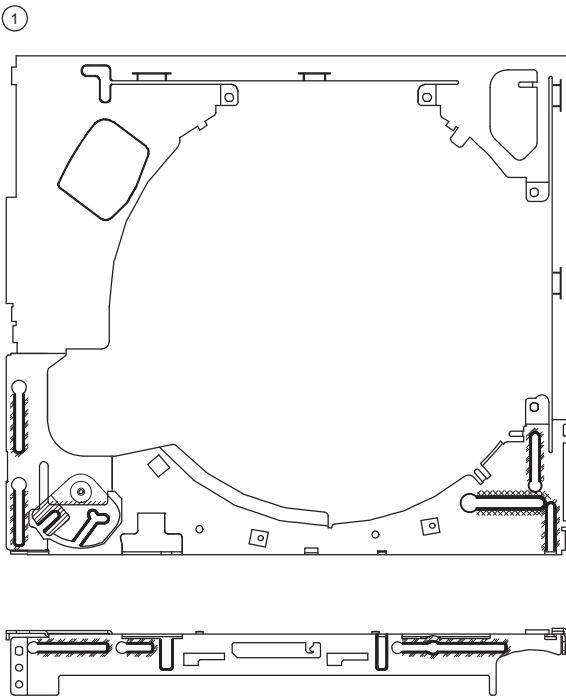
* Do not reuse the following parts.
(No.7,8,10)

NO.	PART NO.	DESCRIPTION	Q'TY
1	966-1761-21	UPPER-CHA-ASSY	1
2	966-1765-20	LO-SHIFT A ASSY	1
3	966-0700-22	LO-SHIFT B ASSY	1
4	966-0701-21	LO-SHIFT ASSY	1
5	966-1766-20	SHUTTER-PL-ASSY	1
6	966-1763-20	SHUTTER ASSY	1
7	HBS-553-200	U-SENSOR-S-ASSY	1
7-1	-----	SENSOR-U-FPC	1
8	347-7272-00	RATTLE SHEET	1
9	750-6755-21	SHUTTER SPRING	1
10	746-0870-00	WASHER	1

[Grease Point]

* Grease: SANKOL FG-87HSR

	Put grease on the surface	
	Put grease on the reverse side	
	Put grease on the both sides	
	Put grease on the edge	



ELECTRICAL PARTS LIST

CD PWB(BM1) section

REF No.	PART No.	DESCRIPTION	REF No.	PART No.	DESCRIPTION	REF No.	PART No.	DESCRIPTION
C1	042-0672-00	25V 47uF TA	C74	168-1042-78	16V 0.1uF	R17	119-4731-15	1/10W 47k ohm
C2	166-1011-50	100pF CH	C75	168-2222-55	2200pF K	R18	119-2231-15	1/10W 22k ohm
C3	168-1042-78	16V 0.1uF	C81	166-1007-50	10pF CH	R19	119-2231-15	1/10W 22k ohm
C4	178-1052-78	1uF	C82	166-1007-50	10pF CH	R20	119-4721-15	1/10W 4.7k ohm
C5	042-0671-01	10V 47uF TA	C83	178-1052-78	1uF	R21	119-4731-15	1/10W 47k ohm
C6	168-1042-78	16V 0.1uF	C85	178-1052-78	1uF	R22	119-4731-15	1/10W 47k ohm
C7	168-1032-55	0.01uF K	C86	166-1201-50	12pF CH	R23	119-4731-15	1/10W 47k ohm
C8	168-1042-78	16V 0.1uF	C87	042-1702-90	6.3V 100uF	R24	050-0145-58	1/16W 2.2k ohm x4
C9	178-1052-78	1uF	C91	168-1032-55	0.01uF K	R25	119-4721-15	1/10W 4.7k ohm
C10	168-1042-78	16V 0.1uF	CCT1	050-0145-59	1/16W 22 ohm x4	R26	119-4721-15	1/10W 4.7k ohm
C11	168-1042-78	16V 0.1uF	CCT2	050-0145-54	1/16W 47k ohm x4	R27	117-7511-15	1/8W 750 ohm
C12	178-1052-78	1uF	CCT3	050-0145-54	1/16W 47k ohm x4	R28	116-3391-15	1/4W 3.3 ohm
C13	178-1052-78	1uF	CCT4	050-0145-55	1/16W 10k ohm x4	R29	032-0145-73	1/2W 6.8 ohm
C14	042-0671-01	10V 47uF TA	D1	001-4301-14	HZU 3.0B1	R30	119-1041-15	1/10W 100k ohm
C15	168-1032-55	0.01uF K	D1	001-0529-14	MA8030-L	R31	119-6811-15	1/10W 680 ohm
C20	178-1052-78	1uF	D2	001-0367-91	1SS226	R32	119-1041-15	1/10W 100k ohm
C21	168-1042-78	16V 0.1uF	D3	001-4301-16	HZU 3.3B1	R33	119-6811-15	1/10W 680 ohm
C22	178-1052-78	1uF	D3	001-0529-16	MA8033-L	R34	119-1041-15	1/10W 100k ohm
C23	168-1042-78	16V 0.1uF	D4	001-4301-18	HZU 3.6B1	R35	117-5611-15	1/8W 560 ohm
C24	042-0671-01	10V 47uF TA	D4	001-0529-18	MA8036-L	R36	119-1041-15	1/10W 100k ohm
C25	168-1042-78	16V 0.1uF	IC1	051-6399-00	TC94A15F	R37	119-1041-15	1/10W 100k ohm
C26	168-1045-56	0.1uF Z	IC2	052-5070-20	TMP91CY22IFG-6NH7	R38	119-3321-15	1/10W 3.3k ohm
C27	168-4732-78	0.047uF K	IC3	051-6711-20	TC94A34FG-004	R39	119-1051-15	1/10W 1M ohm
C28	166-4701-50	47pF CH	IC4	051-6060-08	BD7961FM-E2	R40	119-0000-05	1/10W 0 ohm JW
C29	168-4732-78	0.047uF K	IC5	051-5452-90	BD5235G-TR	R41	119-1041-15	1/10W 100k ohm
C30	166-4711-50	470pF CH	IC6	051-9318-10	GLT4160L04P-60TC	R42	119-5621-15	1/10W 5.6k ohm
C31	168-1532-55	0.015uF K	IC6	051-9318-00	MSM51V17400J-60T	R43	119-4731-15	1/10W 47k ohm
C32	166-4711-50	470pF CH	IC8	051-9402-78	BR93L56RFVM-W	R44	119-2231-15	1/10W 22k ohm
C33	168-1042-78	16V 0.1uF	IC9	051-6072-08	BD7931FE2	R45	119-8231-15	1/10W 82k ohm
C34	168-6822-55	6800pF K	IC9	051-6072-08	BD7931FE2	R46	119-3341-15	1/10W 330k ohm
C35	168-1032-55	0.01uF K	IC10	051-5833-00	GP1S093HCZ	R48	119-2231-15	1/10W 22k ohm
C38	168-3332-78	0.033uF K	IC11	051-3364-90	NJU7771F15	R49	116-1001-15	1/4W 10 ohm
C39	168-4722-55	4700pF K	IC12	051-3364-90	NJU7771F15	R50	119-1011-15	1/10W 100 ohm
C40	168-1042-78	16V 0.1uF	J1	074-1237-69	19PIN	R51	119-6811-15	1/10W 680 ohm
C42	168-1042-78	16V 0.1uF	J2	074-1201-65	15P	R52	117-7511-15	1/8W 750 ohm
C43	168-1532-55	0.015uF K	J3	074-1138-56	6P	R53	116-5611-15	1/4W 560 ohm
C44	168-1042-78	16V 0.1uF	J4	074-1100-61	SOCKET 11P	R54	119-1041-15	1/10W 100k ohm
C45	168-1522-55	1500pF K	J5	074-1201-61	11P SOCKET	R55	119-1041-15	1/10W 100k ohm
C46	168-1042-78	16V 0.1uF	Q1	060-0252-01	PT4850F	R56	119-1041-15	1/10W 100k ohm
C47	166-6811-50	680pF	Q2	125-0021-91	DTA114EUA	R57	119-1041-15	1/10W 100k ohm
C48	166-6801-50	68pF CH	Q3	198-3018-00	2SK3018	R58	119-1041-15	1/10W 100k ohm
C49	178-1052-78	1uF	Q6	131-1188-50	2SB1188PQR	R59	116-1511-15	1/4W 150 ohm
C50	042-0671-01	10V 47uF TA	Q7	125-2027-91	DTC114EUA	R60	119-4731-15	1/10W 47k ohm
C51	042-0671-01	10V 47uF TA	Q8	131-1427-00	2SB1427	R61	119-4731-15	1/10W 47k ohm
C52	178-1052-78	1uF	Q9	131-1188-50	2SB1188PQR	R62	119-1051-15	1/10W 1M ohm
C53	168-1042-78	16V 0.1uF	Q10	125-2027-91	DTC114EUA	R64	032-0140-62	1/10W 1.0k ohm F
C54	178-1052-78	1uF	Q11	125-0021-91	DTA114EUA	R65	119-2211-15	1/10W 220 ohm
C55	178-1052-78	1uF	Q12	125-2027-91	DTC114EUA	R66	032-0140-53	1/10W 2.2k ohm F
C56	042-0671-01	10V 47uF TA	Q20	131-1427-00	2SB1427	R71	119-1011-15	1/10W 100 ohm
C57	168-1042-78	16V 0.1uF	R1	119-4731-15	1/10W 47k ohm	R72	119-1011-15	1/10W 100 ohm
C59	168-1042-78	16V 0.1uF	R2	119-2211-15	1/10W 220 ohm	R73	119-1011-15	1/10W 100 ohm
C60	178-1052-78	1uF	R3	119-2211-15	1/10W 220 ohm	R77	119-0000-05	1/10W 0 ohm JW
C61	168-1032-55	0.01uF K	R4	119-1041-15	1/10W 100k ohm	R82	119-1011-15	1/10W 100 ohm
C62	168-1042-78	16V 0.1uF	R5	119-4731-15	1/10W 47k ohm	R83	119-1031-15	1/10W 10k ohm
C63	168-1042-78	16V 0.1uF	R6	119-2211-15	1/10W 220 ohm	R85	119-1021-15	1/10W 1k ohm
C64	168-1042-78	16V 0.1uF	R7	119-2211-15	1/10W 220 ohm	R86	119-2231-15	1/10W 22k ohm
C65	168-1042-78	16V 0.1uF	R8	119-2211-15	1/10W 220 ohm	S1	013-7416-50	SW SPVL110200
C66	168-1042-78	16V 0.1uF	R10	032-0140-16	1/10W 180k ohm F	S2	013-7416-50	SW SPVL110200
C67	168-1042-78	16V 0.1uF	R11	032-0140-96	1/10W 120k ohm F	S3	013-7416-50	SW SPVL110200
C68	168-1042-78	16V 0.1uF	R12	119-2231-15	1/10W 22k ohm	S4	013-7415-50	SPVG110400
C70	168-1042-78	16V 0.1uF	R13	119-4711-15	1/10W 470 ohm	X1	061-3534-90	16.92MHz
C71	168-1042-78	16V 0.1uF	R14	119-2221-15	1/10W 2.2k ohm	X3	060-1545-90	20MHz
C72	168-1042-78	16V 0.1uF	R15	119-1031-15	1/10W 10k ohm	PWB	039-2747-21	PWB(WITHOUT COMPONENTS)
C73	178-1052-78	1uF	R16	119-0000-05	1/10W 0 ohm JW			

Sensor-L-PFC(BM2)

REF No.	PART No.	DESCRIPTION	REF No.	PART No.	DESCRIPTION	REF No.	PART No.	DESCRIPTION
PT1	060-0252-01	PT14850F	PT3	051-5833-00	GP1S093HCZ	PWB	039-2467-21	PWB(WITHOUT COMPONENTS)
PT2	060-0252-01	PT14850F						

Sensor-U-PFC(BM3)

REF No.	PART No.	DESCRIPTION	REF No.	PART No.	DESCRIPTION	REF No.	PART No.	DESCRIPTION
LED1	001-7077-00	GL4804	LED3	001-7077-00	GL4804	PWB	039-2466-20	PWB(WITHOUT COMPONENTS)
LED2	001-7077-00	GL4804	S5	013-7417-50	ABC1122P161			