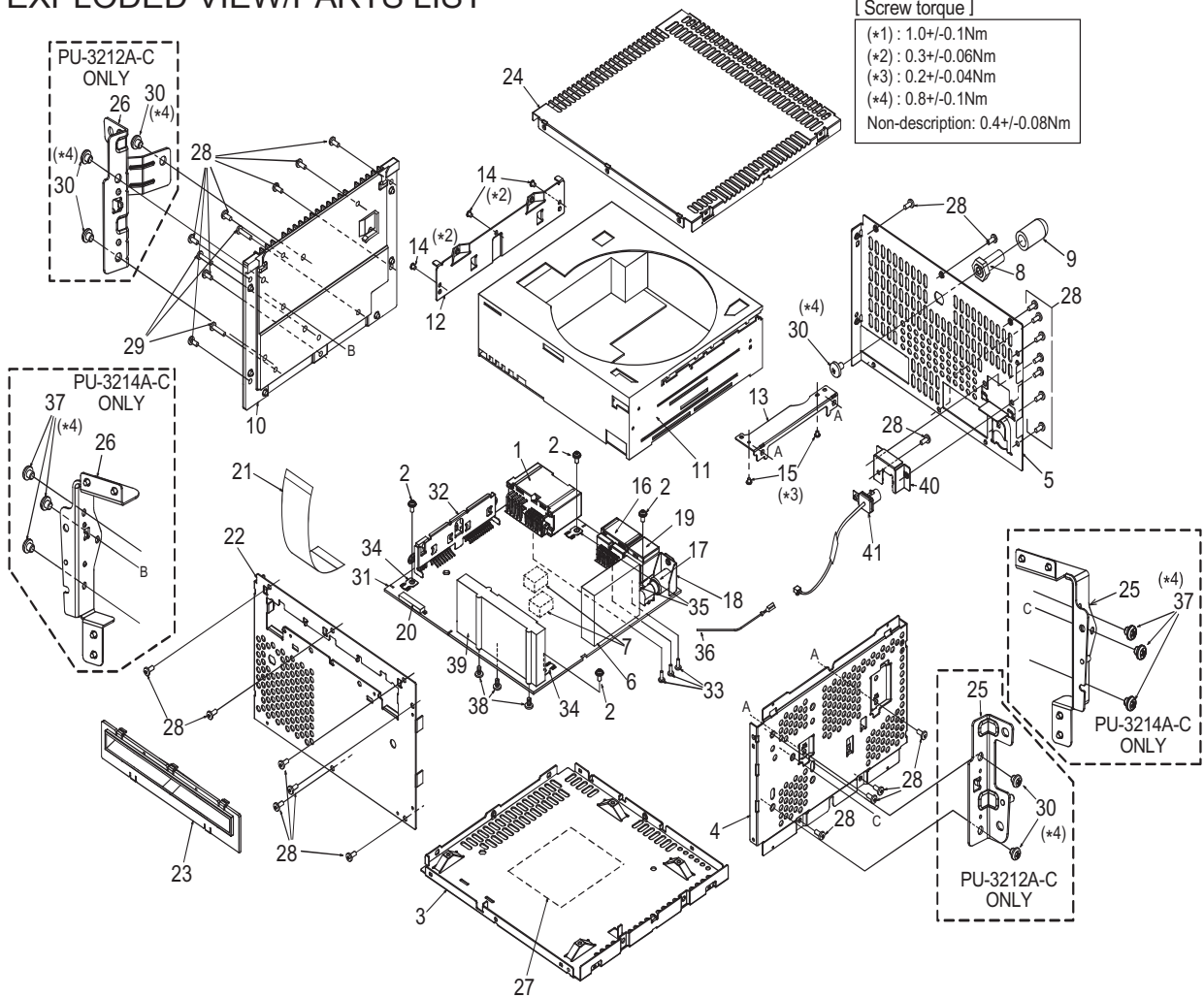


# EXPLODED VIEW/PARTS LIST



NO.	PART NO.	DESCRIPTION	Q'TY
1	074-4032-24	OUTLET SOCKET(24P)	1
2	716-0878-50	SCREW(M2.6x5)	4
3	304-0487-00	LOWER-CVR	1
4	305-0349-10	SIDE-CVR	1
5	307-0728-11	REAR-CVR	1
6	880-2091I	AM/FM TUNER PACK	1
7	345-6066-00	GASKET	2
8	716-3607-00	REAR BOLT	1
9	345-6054-00	RUBBER PART	1
10	313-2020-02	HEAT SINK	1
11	929-0400-83	CD-CHANG-MODULE	1
12	331-4434-00	MECH BRKT(L)	1
13	331-4435-00	MECH BRKT(R)	1
14	716-3552-00	SCREW(M2.3x2.5)	3
15	716-1799-00	SCREW(M2x2.5)	2
16	074-4032-16	OUTLET SOCKET(16P)	1
17	092-2228-60	ANT-RECEPT	1
18	331-4433-00	ANT HOLDER	1
19	074-4032-08	OUTLET SOCKET(8P)	1
20	074-1237-69	PULG(19P)	1
21	816-4045-52	FLAT WIRE	1
22	309-0847-02	FRONT PLATE	1

NO.	PART NO.	DESCRIPTION	Q'TY
23	335-8125-01	DISC GUIDE	1
24	303-0494-00	UPPER-CVR	1
25	300-8180-02 300-8194-00	MTG-BRKT-ASSY(R)(PU3212) MTG-BRKT-ASSY(R)(PU3214)	1
26	300-8179-02 300-8193-00	MTG-BRKT-ASSY(L)(PU3212) MTG-BRKT-ASSY(L)(PU3214)	1
27	276-0647-39 276-0647-41	SETPLATE(PU3212) SETPLATE(PU3214)	1
28	714-2606-8B	SCREW(M2.6x6)	27
29	714-2612-8H	SCREW(M2.6x12)	3
30	714-5006-8B	SCREW(M5x6)(PU3212) SCREW(M5x6)(PU3214)	6 1
31	-----	Main PWB	1
32	331-4432-01	IC HOLDER	1
33	716-3617-00	SCREW(M2.5x6)	3
34	073-0762-90	TERMINAL	2
35	073-0768-90	TERMINAL	2
36	840-0544-50	BONDING WIRE	1
37	716-3648-00	SCREW(M5x6)(PU3214)	6
38	716-3614-00	IT SCREW(M2.5x5)	3
39	-----	SDARS TUNER	1
40	331-4438-00	CONNECTOR BRKT	1
41	855-0617-00	EXTENSION LEAD	1

# ELECTRICAL PARTS LIST

## Main PWB(B1) section

Some parts are different depending on the model.

Please refer to the circuit diagram for the difference parts.

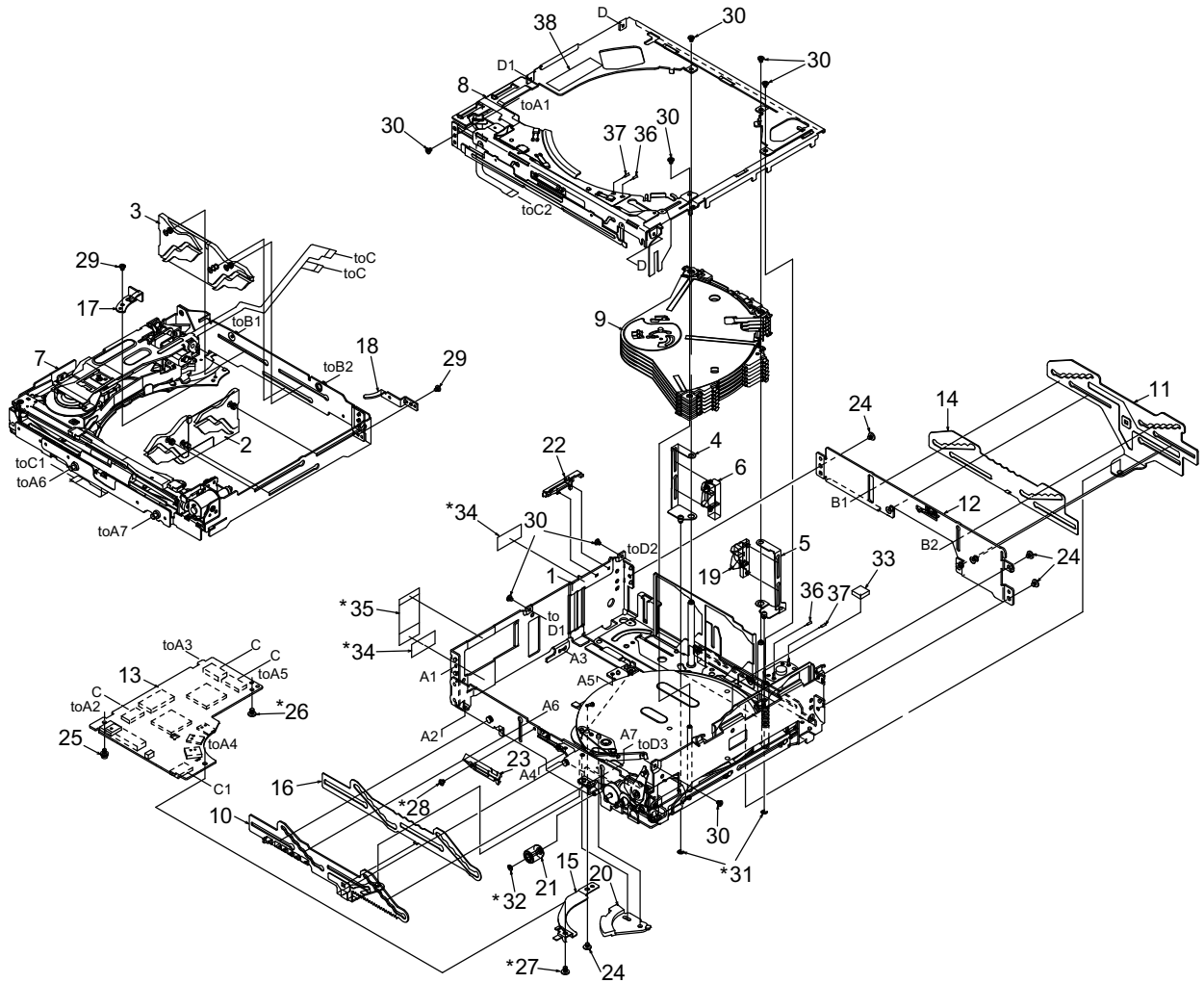
REF No.	PART No.	DESCRIPTION	REF No.	PART No.	DESCRIPTION	REF No.	PART No.	DESCRIPTION
ANT104	092-2228-60	ANT-RECEPT	C253	168-1042-78	16V 0.1uF K	C426	178-1022-78	1000pF
BL101	941-0223-03	TUNER PACK	C255	166-1011-50	100pF CH	C427	178-1022-78	1000pF
BL151	880-20911	AM/FM TUNER	C256	168-1042-78	16V 0.1uF K	C428	178-1022-78	1000pF
C104	166-1011-50	100pF CH	C257	178-1055-79	1uF	C429	168-1022-55	1000pF K
C105	166-1011-50	100pF CH	C258	168-3332-78	0.033uF K	C430	168-1042-78	16V 0.1uF K
C106	166-1011-50	100pF CH	C259	165-4763-15	6.3V 47uF	C431	178-1042-78	0.1uF
C111	166-1011-50	100pF CH	C260	042-0423-94	10V 4.7uF	C432	178-1042-78	0.1uF
C112	166-1011-50	100pF CH	C261	168-1022-55	1000pF K	C435	168-3332-78	0.033uF K
C113	166-1011-50	100pF CH	C262	168-1042-78	16V 0.1uF K	C437	178-2222-78	2200pF
C114	166-1011-50	100pF CH	C263	165-1063-35	16V 10uF	C438	178-2222-78	2200pF
C119	166-1011-50	100pF CH	C264	168-1052-78	16V 1uF K	C441	178-2222-78	2200pF
C134	166-1011-50	100pF CH	C265	166-2211-50	220pF CH	C442	178-2222-78	2200pF
C138	168-1042-78	16V 0.1uF K	C266	166-2211-50	220pF CH	C443	178-2222-78	2200pF
C141	166-1011-50	100pF CH	C267	165-1073-15	6.3V 100uF	C444	176-1011-59	100pF SL
C142	166-1011-50	100pF CH	C268	168-1042-78	16V 0.1uF K	C445	176-1011-59	100pF SL
C143	168-1042-78	16V 0.1uF K	C269	168-4732-78	0.047uF K	C446	178-2222-78	2200pF
C144	166-1011-50	100pF CH	C270	165-2263-15	6.3V 22uF	C447	168-1045-56	25V 0.1uF Z
C145	166-1011-50	100pF CH	C271	168-1052-78	16V 1uF K	C448	165-2263-15	6.3V 22uF
C146	165-1073-35	16V 100uF	C272	165-2263-15	6.3V 22uF	C449	178-2222-78	2200pF
C173	166-1511-50	150pF CH	C273	168-1052-78	16V 1uF K	C450	178-2222-78	2200pF
C174	165-1073-35	16V 100uF	C274	165-4753-55	35V 4.7uF	C451	178-2222-78	2200pF
C175	166-2201-50	22pF CH	C276	166-2211-50	220pF CH	C452	178-2222-78	2200pF
C176	168-1022-55	1000pF K	C277	168-1042-78	16V 0.1uF K	C453	168-1042-78	16V 0.1uF K
C177	168-1022-55	1000pF K	C278	166-2211-50	220pF CH	C454	166-1011-50	100pF CH
C178	168-1022-55	1000pF K	C279	168-1052-78	16V 1uF K	C455	168-2245-79	0.22uF Z
C179	168-1022-55	1000pF K	C280	178-1055-79	1uF	C456	168-1042-78	16V 0.1uF K
C180	165-1073-35	16V 100uF	C281	168-2722-55	2700pF K	C457	178-2222-78	2200pF
C181	168-1022-55	1000pF K	C282	168-2722-55	2700pF K	C458	178-1045-79	0.1uF
C182	168-1022-55	1000pF K	C283	178-1055-79	1uF	C459	165-2263-35	16V 22uF
C183	168-1022-55	1000pF K	C284	178-1055-79	1uF	C460	165-2263-35	16V 22uF
C201	168-1042-78	16V 0.1uF K	C285	168-2722-55	2700pF K	C461	168-1042-78	16V 0.1uF K
C202	168-2232-55	0.022uF K	C286	168-2722-55	2700pF K	C462	165-2263-35	16V 22uF
C203	168-2232-55	0.022uF K	C287	178-1055-79	1uF	C463	168-1042-78	16V 0.1uF K
C204	168-2232-55	0.022uF K	C288	168-1542-58	0.15uF K	C464	042-0423-97	16V 10uF
C206	166-1011-50	100pF CH	C289	168-1542-58	0.15uF K	C499	178-2222-78	2200pF
C207	168-1042-78	16V 0.1uF K	C290	168-3322-55	3300pF K	C503	165-2253-65	50V 2.2uF
C209	168-1042-78	16V 0.1uF K	C291	168-3322-55	3300pF K	C505	165-2253-65	50V 2.2uF
C212	166-1011-50	100pF CH	C292	168-3322-55	3300pF K	C507	165-2253-65	50V 2.2uF
C214	166-9097-50	9pF +/-0.5pF CH	C293	168-3322-55	3300pF K	C509	165-2263-55	35V 22uF
C215	178-1055-79	1uF	C294	168-3322-55	3300pF K	C510	043-0499-51	50V 0.1uF J
C216	166-4711-50	470pF CH	C295	168-3322-55	3300pF K	C511	042-1717-00	16V 3300uF
C217	166-9097-50	9pF +/-0.5pF CH	C297	168-1032-55	0.01uF K	C515	168-2222-55	2200pF K
C218	166-1811-50	180pF CH	C300	042-0416-60	25V 10uF M TAN	C516	168-2222-55	2200pF K
C219	168-1022-55	1000pF K	C379	165-1073-35	16V 100uF	C519	178-4742-78	0.47uF
C226	165-1053-65	50V 1uF	C400	042-1767-90	16V 470uF	C520	168-2222-55	2200pF K
C227	168-5622-55	5600pF K	C401	042-1767-90	16V 470uF	C521	168-2222-55	2200pF K
C228	165-1053-65	50V 1uF	C402	178-1042-78	0.1uF	C522	178-4742-78	0.47uF
C229	168-5622-55	5600pF K	C403	165-1063-35	16V 10uF	C524	178-4742-78	0.47uF
C230	168-1042-78	16V 0.1uF K	C404	178-1042-78	0.1uF	C525	168-1052-78	16V 1uF K
C231	168-1022-55	1000pF K	C405	178-2222-78	2200pF	C527	178-4742-78	0.47uF
C232	165-4753-55	35V 4.7uF	C406	168-1042-78	16V 0.1uF K	C538	165-2253-65	50V 2.2uF
C233	168-1042-78	16V 0.1uF K	C407	165-1063-35	16V 10uF	C539	165-2253-65	50V 2.2uF
C234	166-1011-50	100pF CH	C408	165-2263-35	16V 22uF	C544	165-2263-15	6.3V 22uF
C235	168-2232-55	0.022uF K	C409	168-1042-78	16V 0.1uF K	C545	165-2263-15	6.3V 22uF
C236	168-1022-55	1000pF K	C410	168-1042-78	16V 0.1uF K	C547	165-4743-65	50V 0.47uF
C237	168-1042-78	16V 0.1uF K	C411	178-1042-78	0.1uF	C549	166-1007-50	10pF CH
C238	042-4021-92	6.3V 330uF	C412	168-1042-78	16V 0.1uF K	C553	168-2222-55	2200pF K
C239	168-1042-78	16V 0.1uF K	C413	168-1042-78	16V 0.1uF K	C554	166-1007-50	10pF CH
C240	042-4021-91	10V 220uF	C414	042-1767-90	16V 470uF	C555	166-1007-50	10pF CH
C241	168-1042-78	16V 0.1uF K	C415	178-1042-78	0.1uF	C556	168-1042-78	16V 0.1uF K
C242	168-1042-78	16V 0.1uF K	C416	178-2222-78	2200pF	C557	165-2263-35	16V 22uF
C243	168-1022-55	1000pF K	C417	178-2222-78	2200pF	C558	165-2253-65	50V 2.2uF
C244	168-2232-55	0.022uF K	C418	178-2222-78	2200pF	C559	043-0559-90	6.3V 22uF
C245	168-1042-78	16V 0.1uF K	C419	178-2222-78	2200pF	C560	168-8212-55	820pF K
C246	168-1032-55	0.01uF K	C420	178-2222-78	2200pF	C563	166-1007-50	10pF CH
C247	168-2222-55	2200pF K	C421	178-2222-78	2200pF	C564	165-4743-65	50V 0.47uF
C248	168-2222-55	2200pF K	C422	178-2222-78	2200pF	C600	166-1501-50	15pF CH
C249	165-4753-55	35V 4.7uF	C423	178-2222-78	2200pF	C601	168-1032-55	0.01uF K
C250	168-1042-78	16V 0.1uF K	C424	178-2222-78	2200pF	C602	166-1011-50	100pF CH
C252	165-4753-55	35V 4.7uF	C425	178-1022-78	1000pF	C603	168-1042-78	16V 0.1uF K

REF No.	PART No.	DESCRIPTION	REF No.	PART No.	DESCRIPTION	REF No.	PART No.	DESCRIPTION
C604	165-4753-55	35V 4.7uF	L213	010-3105-62	1k ohm/100MHz	R207	119-1031-15	1/10W 10k ohm
C605	165-4753-55	35V 4.7uF	L214	010-3104-54	600 ohm/100MHz	R208	119-0000-05	1/10W 0 ohm JW
C607	168-1042-78	16V 0.1uF K	L215	010-3105-62	1k ohm/100MHz	R209	119-0000-05	1/10W 0 ohm JW
C608	042-4022-90	6.3V 1000uF	L216	010-3105-62	1k ohm/100MHz	R210	119-0000-05	1/10W 0 ohm JW
C609	042-4022-90	6.3V 1000uF	L217	010-3105-62	1k ohm/100MHz	R211	119-1031-15	1/10W 10k ohm
C610	178-1055-79	1uF	L218	010-3105-62	1k ohm/100MHz	R213	119-1011-15	1/10W 100 ohm
C611	168-1022-55	1000pF K	L219	010-3105-62	1k ohm/100MHz	R214	119-1021-15	1/10W 1k ohm
C612	168-1042-78	16V 0.1uF K	L220	010-3105-62	1k ohm/100MHz	R215	119-1001-15	1/10W 10 ohm
C613	168-1032-55	0.01uF K	L221	010-3105-62	1k ohm/100MHz	R217	119-1001-15	1/10W 10 ohm
C616	168-1042-78	16V 0.1uF K	L222	010-3104-54	600 ohm/100MHz	R219	119-4731-15	1/10W 47k ohm
D101	001-0529-28	MA8051-L	L223	010-3105-62	1k ohm/100MHz	R220	119-1241-15	1/10W 120k ohm
D103	001-0529-14	MA8030-L	L401	010-8049-00	145uH	R222	119-4731-15	1/10W 47k ohm
D400	001-0516-90	MA111	L404	010-3503-90	6.5uH	R223	119-2201-15	1/10W 22 ohm
D402	001-0592-00	RM4Z	L601	010-3105-62	1k ohm/100MHz	R224	119-1011-15	1/10W 100 ohm
D403	001-4315-50	MMBZ27VCLT1G	L602	010-3105-62	1k ohm/100MHz	R225	119-1011-15	1/10W 100 ohm
D404	001-0516-90	MA111	Q101	190-2060-00	2SA2060	R227	119-8221-15	1/10W 8.2k ohm
D405	001-0516-90	MA111	Q102	125-2027-90	DTC143EU	R228	119-1041-15	1/10W 100k ohm
D406	001-1304-90	DAN202U	Q103	125-2027-91	DTC114EUA	R229	119-1041-15	1/10W 100k ohm
D407	001-4315-50	MMBZ27VCLT1G	Q104	125-2027-91	DTC114EUA	R230	032-0140-99	1/10W 39k ohm F
D408	001-0529-28	MA8051-L	Q201	125-7007-90	Si5441BDC-TI-E3	R231	032-0140-99	1/10W 39k ohm F
D409	001-0516-90	MA111	Q400	192-4081-00	2SC4081	R232	032-0140-99	1/10W 39k ohm F
D410	001-0516-90	MA111	Q401	192-4081-00	2SC4081	R233	032-0140-99	1/10W 39k ohm F
D411	001-0529-42	MA8075-H	Q405	192-4081-00	2SC4081	R236	032-0140-95	1/10W 20k ohm F
D412	001-0529-42	MA8075-H	Q406	125-2027-91	DTC114EUA	R237	032-0140-95	1/10W 20k ohm F
D414	001-0516-90	MA111	Q407	103-2394-00	2SD2394	R238	032-0140-95	1/10W 20k ohm F
D416	001-0516-90	MA111	Q408	192-4081-00	2SC4081	R239	032-0140-95	1/10W 20k ohm F
D418	001-0529-32	MA8056-M	Q409	125-9026-90	IMF29	R240	119-2031-15	1/10W 20k ohm
D419	001-4313-52	HZU7CZL	Q410	125-2027-91	DTC114EUA	R241	119-2031-15	1/10W 20k ohm
D420	001-0516-90	MA111	Q411	125-9026-90	IMF29	R243	032-0140-89	1/10W 47k ohm F
D422	001-0516-90	MA111	Q412	125-9017-92	UMD3N-TR	R244	119-1041-15	1/10W 100k ohm
D423	001-0516-90	MA111	Q413	192-4081-00	2SC4081	R245	119-1001-15	1/10W 10 ohm
D501	001-0529-21	MA8039-H	Q414	192-4081-00	2SC4081	R246	032-0140-89	1/10W 47k ohm F
D502	001-0516-90	MA111	Q418	125-9017-92	UMD3N-TR	R247	032-0140-89	1/10W 47k ohm F
D505	001-1304-90	DAN202U	Q421	190-1576-00	2SA1576A	R249	119-1041-15	1/10W 100k ohm
D603	001-0516-90	MA111	Q424	125-2042-90	DTC614TU-T106	R251	032-0140-89	1/10W 47k ohm F
IC201	051-6706-60	SAF7730HV/N317/S1	Q502	125-9017-92	UMD3N-TR	R252	032-0140-62	1/10W 1k ohm F
IC401	051-3510-01	TDA3681JR/N2C	Q504	125-2027-91	DTC114EUA	R253	032-0140-62	1/10W 1k ohm F
IC402	051-3402-90	NJM2406F	Q510	125-0021-92	DTA124EUA	R254	032-0140-62	1/10W 1k ohm F
IC403	051-3512-90	BH33PB1WHFV	Q511	125-2042-90	DTC614TU-T106	R255	032-0140-62	1/10W 1k ohm F
IC404	051-3344-90	BD3930FP-E2	Q512	192-4081-00	2SC4081	R331	119-1021-15	1/10W 1k ohm
IC405	051-3218-90	TA76431F	Q513	125-2042-90	DTC614TU-T106	R332	119-1031-15	1/10W 10k ohm
IC407	051-6653-80	SN65HVD1040QDRQ1	Q601	125-2027-92	DTC124EUA	R400	116-2011-15	1/4W 200 ohm
IC408	051-5459-90	BD4836G-TR	Q602	192-4081-00	2SC4081	R401	119-1041-15	1/10W 100k ohm
IC501	051-2068-00	TDA7562B(PU3212)	R101	119-4731-15	1/10W 47k ohm	R402	119-1031-15	1/10W 10k ohm
IC501	051-2062-00	TDA7563B(PU3214)	R102	117-1021-15	1/8W 1k ohm	R403	119-9121-15	1/10W 9.1k ohm
IC503	051-3057-90	BA4558RFV	R103	119-4721-15	1/10W 4.7k ohm	R404	119-1021-15	1/10W 1k ohm
IC504	051-3057-90	BA4558RFV	R104	119-1031-15	1/10W 10k ohm	R405	119-1021-15	1/10W 1k ohm
IC601	051-7108-80	HEF4053B-MSI	R105	119-1031-15	1/10W 10k ohm	R406	119-1021-15	1/10W 1k ohm
IC602	-----	uPD70F3351GC-8E-A-A	R106	119-1031-15	1/10W 10k ohm	R407	119-1021-15	1/10W 1k ohm
IC603	051-5423-08	S-80929CLMC-G6Z	R107	119-1011-15	1/10W 100 ohm	R408	119-1041-15	1/10W 100k ohm
IC604	-----	BR24S16FVT-WTR	R108	119-1011-15	1/10W 100 ohm	R409	032-0140-56	1/10W 12k ohm F
J401	074-4032-24	24P	R109	119-1011-15	1/10W 100 ohm	R410	032-0140-80	1/10W 18k ohm F
J402	074-4032-08	8P	R110	119-1011-15	1/10W 100 ohm	R411	119-1231-15	1/10W 12k ohm
J403	074-4032-16	16P	R112	119-1031-15	1/10W 10k ohm	R412	119-3321-15	1/10W 3.3k ohm
J601	076-6000-58	PLUG	R113	119-1001-15	1/10W 10 ohm	R413	116-5691-15	1/4W 5.6 ohm
J602	074-1237-69	19P	R114	119-1001-15	1/10W 10 ohm	R414	119-9121-15	1/10W 9.1k ohm
L113	010-2003-04	30uH	R115	119-1011-15	1/10W 100 ohm	R415	119-1031-15	1/10W 10k ohm
L200	010-3105-62	1k ohm/100MHz	R116	119-0000-05	1/10W 0 ohm JW	R417	119-1031-15	1/10W 10k ohm
L201	010-3105-62	1k ohm/100MHz	R117	119-0000-05	1/10W 0 ohm JW	R418	117-2721-15	1/8W 2.7k ohm
L202	010-3105-62	1k ohm/100MHz	R119	119-1011-15	1/10W 100 ohm	R419	119-1521-15	1/10W 1.5k ohm
L203	010-3105-62	1k ohm/100MHz	R120	119-1011-15	1/10W 100 ohm	R420	119-4721-15	1/10W 4.7k ohm
L204	010-3105-62	1k ohm/100MHz	R121	119-2741-15	1/10W 270k ohm	R421	119-3921-15	1/10W 3.9k ohm
L205	010-3105-62	1k ohm/100MHz	R122	119-0000-05	1/10W 0 ohm JW	R423	119-3921-15	1/10W 3.9k ohm
L206	010-3105-62	1k ohm/100MHz	R133	119-6821-15	1/10W 6.8k ohm	R425	116-1221-15	1/4W 1.2k ohm
L207	010-3105-62	1k ohm/100MHz	R134	119-6821-15	1/10W 6.8k ohm	R426	116-1221-15	1/4W 1.2k ohm
L208	010-3105-62	1k ohm/100MHz	R135	119-1011-15	1/10W 100 ohm	R427	116-1221-15	1/4W 1.2k ohm
L209	010-3105-62	1k ohm/100MHz	R136	119-1011-15	1/10W 100 ohm	R428	116-1221-15	1/4W 1.2k ohm
L210	010-3105-62	1k ohm/100MHz	R137	119-1011-15	1/10W 100 ohm	R430	119-1031-15	1/10W 10k ohm
L211	010-2198-51	0.22uH	R138	119-1011-15	1/10W 100 ohm	R431	119-2731-15	1/10W 27k ohm
L212	010-3105-62	1k ohm/100MHz	R139	119-1011-15	1/10W 100 ohm	R433	119-2221-15	1/10W 2.2k ohm
			R140	119-1041-15	1/10W 100k ohm	R436	119-2221-15	1/10W 2.2k ohm
			R201	119-1031-15	1/10W 10k ohm	R439	119-2231-15	1/10W 22k ohm
			R205	119-1031-15	1/10W 10k ohm	R440	119-1031-15	1/10W 10k ohm

REF No.	PART No.	DESCRIPTION	REF No.	PART No.	DESCRIPTION	REF No.	PART No.	DESCRIPTION
R441	119-4711-15	1/10W 470 ohm	R529	119-1031-15	1/10W 10k ohm	R623	119-1031-15	1/10W 10k ohm
R442	119-1031-15	1/10W 10k ohm	R530	119-1021-15	1/10W 1k ohm	R624	119-1011-15	1/10W 100 ohm
R443	119-2231-15	1/10W 22k ohm	R533	119-1031-15	1/10W 10k ohm	R625	119-1031-15	1/10W 10k ohm
R444	119-1031-15	1/10W 10k ohm	R534	119-1031-15	1/10W 10k ohm	R627	119-3331-15	1/10W 33k ohm
R445	119-4711-15	1/10W 470 ohm	R539	119-1031-15	1/10W 10k ohm	R628	119-1041-15	1/10W 100k ohm
R446	119-1031-15	1/10W 10k ohm	R541	119-1031-15	1/10W 10k ohm	R629	119-3331-15	1/10W 33k ohm
R449	119-1031-15	1/10W 10k ohm	R542	119-1001-15	1/10W 10 ohm	R630	119-3331-15	1/10W 33k ohm
R451	119-1021-15	1/10W 1k ohm	R543	117-4711-15	1/8W 470 ohm	R631	119-4731-15	1/10W 47k ohm
R456	116-2721-15	1/4W 2.7k ohm	R544	119-2031-15	1/10W 20k ohm	R632	119-3331-15	1/10W 33k ohm
R457	119-2241-15	1/10W 220k ohm	R545	119-1021-15	1/10W 1k ohm	R633	119-3331-15	1/10W 33k ohm
R458	119-1021-15	1/10W 1k ohm	R546	119-2231-15	1/10W 22k ohm	R634	119-3331-15	1/10W 33k ohm
R459	119-2231-15	1/10W 22k ohm	R548	119-2231-15	1/10W 22k ohm	R635	119-3321-15	1/10W 3.3k ohm
R460	119-1041-15	1/10W 100k ohm	R549	119-4731-15	1/10W 47k ohm	R636	119-3321-15	1/10W 3.3k ohm
R461	119-1031-15	1/10W 10k ohm	R550	119-4731-15	1/10W 47k ohm	R637	119-3321-15	1/10W 3.3k ohm
R463	119-1041-15	1/10W 100k ohm	R551	119-1031-15	1/10W 10k ohm	R639	119-1241-15	1/10W 120k ohm
R464	119-1041-15	1/10W 100k ohm	R552	119-2231-15	1/10W 22k ohm	R642	119-1041-15	1/10W 100k ohm
R465	119-1041-15	1/10W 100k ohm	R553	117-4711-15	1/8W 470 ohm	R643	119-1031-15	1/10W 10k ohm
R466	119-5621-15	1/10W 5.6k ohm	R554	119-2231-15	1/10W 22k ohm	R644	119-1241-15	1/10W 120k ohm
R467	119-1831-15	1/10W 18k ohm	R555	117-4711-15	1/8W 470 ohm	R646	119-1011-15	1/10W 100 ohm
R468	119-1041-15	1/10W 100k ohm	R556	119-3331-15	1/10W 33k ohm	R647	119-1011-15	1/10W 100 ohm
R469	119-1041-15	1/10W 100k ohm	R557	119-1031-15	1/10W 10k ohm	R648	119-3331-15	1/10W 33k ohm
R470	119-1041-15	1/10W 100k ohm	R558	119-2231-15	1/10W 22k ohm	R649	119-3331-15	1/10W 33k ohm
R471	119-1011-15	1/10W 100 ohm	R559	119-4731-15	1/10W 47k ohm	R650	119-3331-15	1/10W 33k ohm
R472	119-1231-15	1/10W 12k ohm	R560	119-1031-15	1/10W 10k ohm	R652	119-6831-15	1/10W 68k ohm
R473	119-4721-15	1/10W 4.7k ohm	R561	119-2031-15	1/10W 20k ohm	R653	119-3331-15	1/10W 33k ohm
R475	116-2011-15	1/4W 200 ohm	R562	119-2231-15	1/10W 22k ohm	R654	119-3331-15	1/10W 33k ohm
R476	116-2011-15	1/4W 200 ohm	R564	117-4711-15	1/8W 470 ohm	R655	119-1231-15	1/10W 12k ohm
R477	116-2011-15	1/4W 200 ohm	R565	119-1041-15	1/10W 100k ohm	R656	119-1031-15	1/10W 10k ohm
R478	032-0163-90	1/2W 47 ohm	R568	119-1041-15	1/10W 100k ohm	R657	119-1031-15	1/10W 10k ohm
R479	032-0163-90	1/2W 47 ohm	R571	119-1011-15	1/10W 100 ohm	R658	119-1041-15	1/10W 100k ohm
R503	119-8221-15	1/10W 8.2k ohm	R572	119-1011-15	1/10W 100 ohm	R660	032-0148-52	1/16W 24k ohm
R507	119-1021-15	1/10W 1k ohm	R600	119-0000-05	1/10W 0 ohm JW (PU3212)	R661	032-0148-52	1/16W 24k ohm
R509	119-1021-15	1/10W 1k ohm	R603	119-1011-15	1/10W 100 ohm	SUP101	060-0122-91	DSP-141N-S00B
R512	119-8221-15	1/10W 8.2k ohm	R608	119-3331-15	1/10W 33k ohm	TC601	004-1589-52	TZB4R200AA10R00
R513	119-4721-15	1/10W 4.7k ohm	R609	119-1011-15	1/10W 100 ohm	TH101	002-0330-90	THERMISTOR
R514	119-2231-15	1/10W 22k ohm	R611	119-4731-15	1/10W 47k ohm	TM101	073-0762-90	TERMINAL
R515	119-8221-15	1/10W 8.2k ohm	R612	119-4731-15	1/10W 47k ohm	TM102	073-0768-90	TERMINAL
R516	119-8221-15	1/10W 8.2k ohm	R615	119-3331-15	1/10W 33k ohm	TM301	073-0762-90	TERMINAL
R517	119-3331-15	1/10W 33k ohm	R619	119-0000-05	1/10W 0 ohm JW (PU3214)	TM501	073-0768-90	TERMINAL
R518	119-3331-15	1/10W 33k ohm	R620	119-0000-05	1/10W 0 ohm JW	X201	061-3537-90	41.6MHz
R519	119-3331-15	1/10W 33k ohm	R621	119-1021-15	1/10W 1k ohm	X601	061-3561-90	AT-41CD2 3.997696 MHz
R520	119-3331-15	1/10W 33k ohm	R622	119-1011-15	1/10W 100 ohm	PWB	039-3389-02	PWB(WITHOUT COMPONENT)
R521	119-1021-15	1/10W 1k ohm						
R523	119-1021-15	1/10W 1k ohm						

# EXPLODED VIEW/PARTS LIST

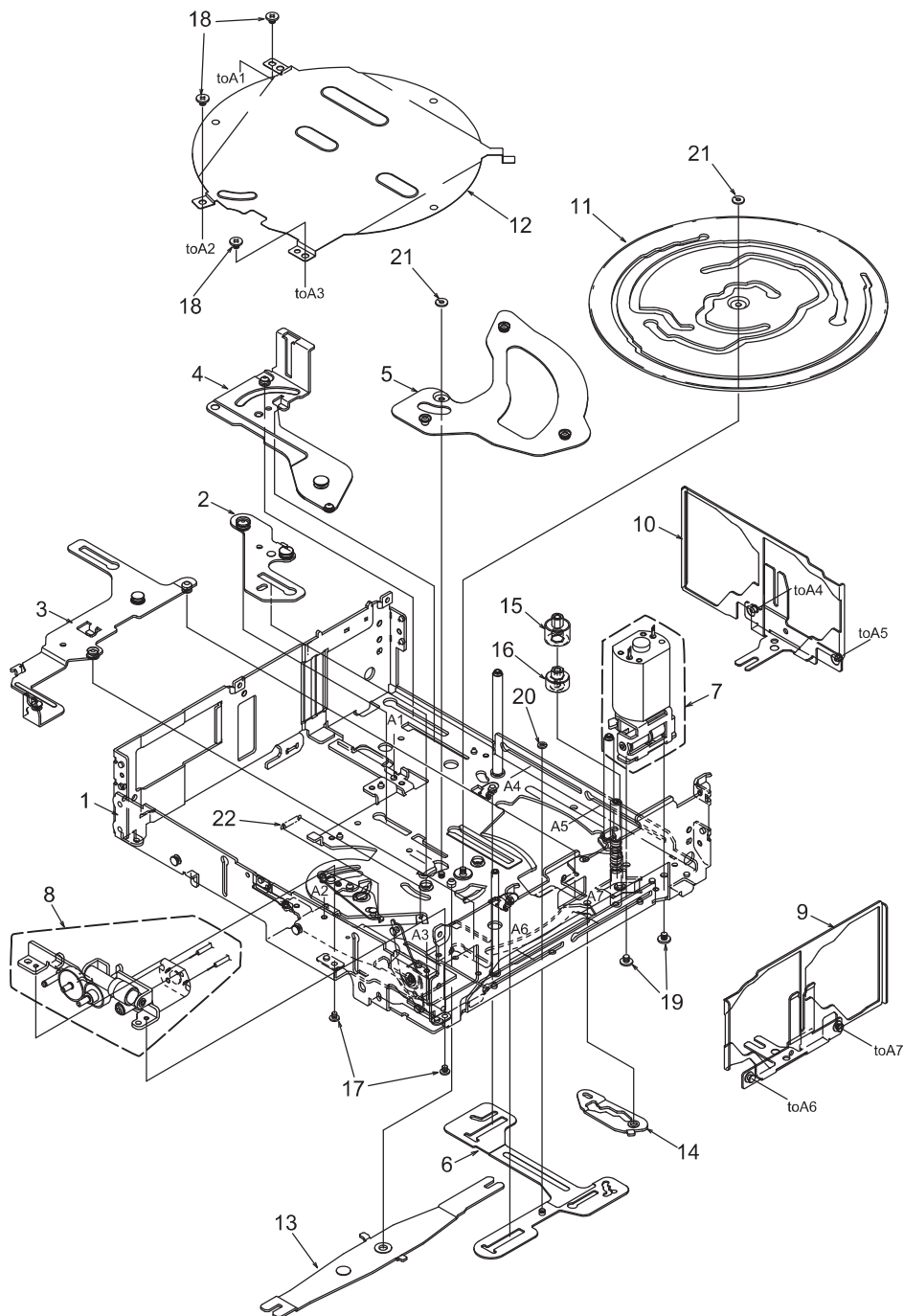
## Main section



\* Do not reuse the following parts.  
(No.26,27,28,32,31,34,35)

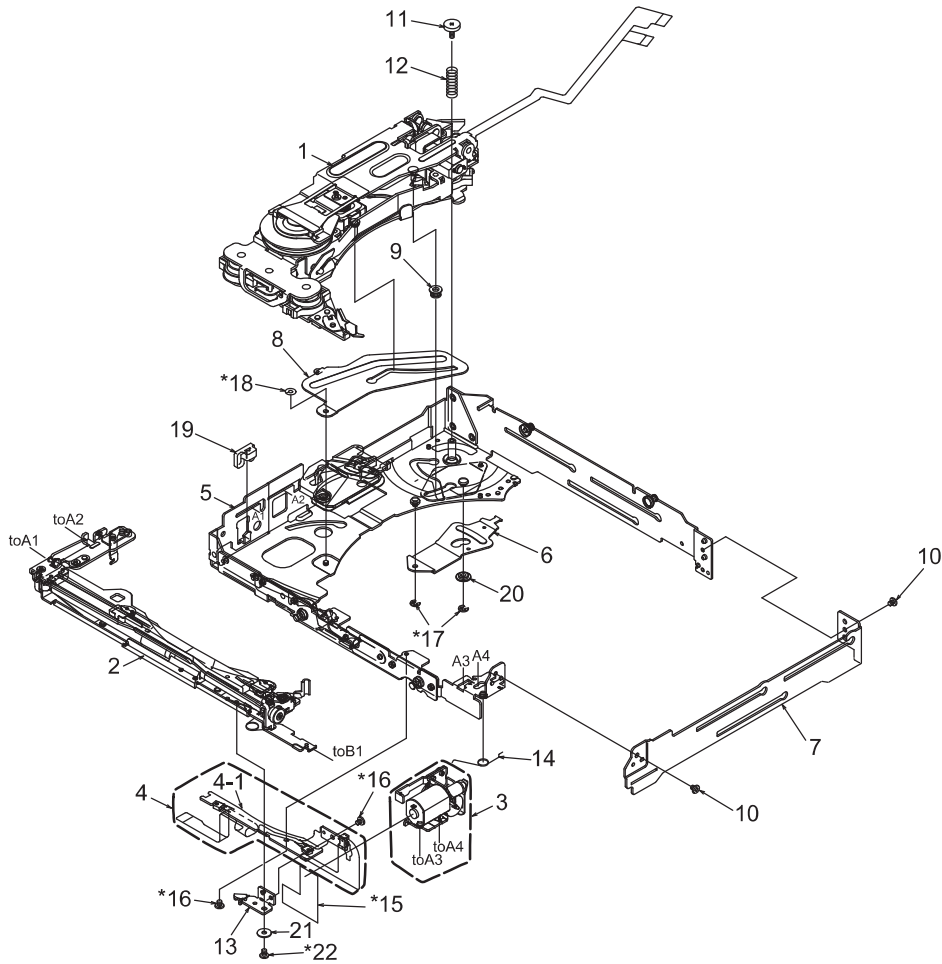
NO.	PART NO.	DESCRIPTION	Q'TY	NO.	PART NO.	DESCRIPTION	Q'TY
1	-----	LOWER UNIT ASSY	1	20	621-1812-20	SW LINK	1
2	HBS-617-100	KUSABI-ASSY-S	1	21	621-1765-20	UD-GEAR-D	1
3	HBS-618-100	KUSABI-ASSY-R	1	22	621-1715-20	FPC-STOPPER	1
4	966-1846-20	DS-SP-ASSY L	1	23	621-1763-20	LOADING GUIDE B	1
5	966-1847-21	DS-SP ASSY R	1	24	716-1850-01	SCREW(M2.0x2)	4
6	966-0667-21	DISC STP-ASSY L	1	25	716-3598-00	SCREW(M2.0x4)	1
7	966-1844-21	DRIVE-CH UNIT	1	26	716-3599-00	SCREW(M2.0x2 sealock)	1
8	966-1840-21	UPPER UNIT ASSY	1	27	716-3600-00	SCREW(M2.0x3 sealock)	1
9	HBS-602-100	DISCHOLDER UNIT	1	28	716-3601-00	SCREW(M1.7x2 sealock)	1
10	966-1771-21	SLIDE-P-ASSY	1	29	716-3450-00	SCREW(M1.7x2.0)	2
11	966-1814-21	SLIDE-P-ASSY-R	1	30	716-3451-01	SCREW(M1.7x2.5)	8
12	966-1874-20	REAR-P-ASSY R	1	31	744-0045-01	C-RING	2
13	HBS-621-100	CD PWB ASSY	1	32	746-0761-00	WASHER	1
14	620-1662-21	GAP PLATE R	1	33	345-5824-00	RUBBER PART	1
15	620-1640-20	SW-H-PLATE	1	34	347-8230-00	PROTECT SHEET	2
16	620-1778-20	GAP PLATE F	1	35	347-8219-00	FPC-SHEET N	1
17	620-1685-21	DS-PLATE L	1	36	800-4921-60	VINYL-COAT-WIRE	1
18	620-1686-20	DS-PLATE R	1	37	802-4921-60	VINYL-COAT-WIRE	1
19	621-1815-20	DISC STOPPER R	1	38	293-8575-00	MECH LABEL	1

Lower unit assy section



NO.	PART NO.	DESCRIPTION	Q'TY	NO.	PART NO.	DESCRIPTION	Q'TY
1	966-1834-24	LOWER-C-ASSY	1	12	620-1624-24	GEAR COVER	1
2	966-0658-22	DH-SP-ASSY	1	13	620-1848-21	UD LINK	1
3	966-1836-20	TATSU-P-ASSY	1	14	620-1847-91	DS-SHIFT LINK	1
4	966-1832-20	D-SHT PL-B-ASSY	1	15	621-1811-21	M-GEAR B	1
5	966-0659-22	DH-SP-ASSY B	1	16	621-0733-20	M-GEAR C	1
6	966-1835-92	DS-SP-ASSY	1	17	716-3451-01	SCREW(M1.7x2.5)	2
7	HBS-622-100	M-MTR SUB ASSY	1	18	716-1850-01	SCREW(M2.0x2.0)	3
8	HBS-616-100	UD-MOTOR-ASSY	1	19	716-1851-03	SCREW(M2.0x3.0)	2
9	966-1872-20	INITIAL ASSY S	1	20	746-0870-00	WASHER	1
10	966-1873-20	INITIAL ASSY R	1	21	746-0768-00	WASHER	2
11	620-1623-24	CAM GEAR	1	22	750-6756-21	SW-L-SPRING	1

Drive-CH unit section



\* Do not reuse the following parts.  
(No.15,16,17,18,22)

NO.	PART NO.	DESCRIPTION	Q'TY	NO.	PART NO.	DESCRIPTION	Q'TY
1	HBS-620-100	DRIVE UNIT	1	12	750-6852-20	DRIVE SPRING A	1
2	HBS-612-100	LOADING-U-ASSY	1	13	620-1831-21	S-PWB PLATE	1
3	HBS-615-100	LO-MOTOR-S-ASSY	1	14	750-6754-20	LO-ES-SPRING B	1
4	HBS-614-100	L-SEN-FPC-ASSY	1	15	345-5424-01	SEN-FPC GUIDE	1
4-1	-----	SENSOR-L-FPC	1	16	716-3601-00	SCREW(M1.7x2 sealock)	2
5	966-1828-22	DRIVE-CH A-ASSY	1	17	743-1500-1B	E-RING	2
6	620-1838-21	D-SHIFT LINK A	1	18	746-0870-00	WASHER	1
7	620-1837-20	DRIVE CHASSIS B	1	19	621-1807-00	RUBBER PART	1
8	620-1836-20	DR-SUPPORT-PL	1	20	622-1850-20	D-SHIFT ROLLERE	1
9	622-1743-21	D-SHIFT ROLLERB	1	21	347-8392-00	FPC WASHER	1
10	716-3450-00	SCREW(M1.7x2)	2	22	716-3451-02	SCREW(M1.7x2.5 sealock)	1
11	716-3603-00	SCREW(M1.7x5)	1				

# ELECTRICAL PARTS LIST

## CD PWB(BM1) section

\* The parts of the same reference number are alternative

REF No.	PART No.	DESCRIPTION	REF No.	PART No.	DESCRIPTION	REF No.	PART No.	DESCRIPTION
C1	168-1052-78	16V 1uF	C72	168-1042-78	16V 0.1uF	R19	119-1041-15	1/10W 100k ohm
C3	168-1042-78	16V 0.1uF	C74	166-6097-50	6pF CH	R20	119-1041-15	1/10W 100k ohm
C4	043-0559-90	6.3V 22uF	C75	168-1042-78	16V 0.1uF	R21	119-2221-15	1/10W 2.2k ohm
C5	168-1032-55	0.01uF K	C76	168-5622-55	5600pF K	R22	119-4711-15	1/10W 470 ohm
C6	042-1702-90	6.3V 100uF	C77	168-1032-55	0.01uF K	R23	119-1051-15	1/10W 1M ohm
C7	168-1052-78	16V 1uF	C101	043-0563-90	16V 47uF	R24	119-2211-15	1/10W 220 ohm
C9	168-1052-78	16V 1uF	CCT1	050-0145-59	1/16W 22 ohm x4	R25	119-2211-15	1/10W 220 ohm
C11	168-1052-78	16V 1uF	CCT2	050-0145-54	1/16W 47k ohm x4	R26	119-1041-15	1/10W 100k ohm
C12	042-0671-01	10V 47uF TA	CCT3	050-0145-54	1/16W 47k ohm x4	R27	119-1051-15	1/10W 1M ohm
C13	168-1052-78	16V 1uF	CCT4	050-0145-55	1/16W 10k ohm x4	R28	119-1041-15	1/10W 100k ohm
C14	168-1042-78	16V 0.1uF	CCT5	050-0140-55	1/32W 2.2k ohmx4J	R29	119-1041-15	1/10W 100k ohm
C15	168-1052-78	16V 1uF	D1	001-4301-14	HZU 3.0B1	R30	119-4701-15	1/10W 47 ohm
C16	043-0559-90	6.3V 22uF	D1	001-0529-14	MA8030-L	R31	119-2201-15	1/10W 22 ohm
C17	168-1032-55	0.01uF K	D2	001-0367-91	1SS226	R32	119-1051-15	1/10W 1M ohm
C18	168-1052-78	16V 1uF	D3	001-4301-13	HZU 2.7B2	R33	119-2211-15	1/10W 220 ohm
C19	043-0559-90	6.3V 22uF	D3	001-0529-13	MA8029-H	R35	119-1051-15	1/10W 1M ohm
C20	168-1042-78	16V 0.1uF	D4	001-4301-18	HZU 3.6B1	R36	119-4721-15	1/10W 4.7k ohm
C21	168-1032-55	0.01uF K	D4	001-0529-18	MA8036-L	R37	119-4731-15	1/10W 47k ohm
C22	168-1052-78	16V 1uF	IC2	052-5077-02	TMP91CY22IFG-7AA1	R38	119-2231-15	1/10W 22k ohm
C25	168-4732-78	0.047uF K	IC3	051-6733-00	TC94A73MFG-201	R39	119-1041-15	1/10W 100k ohm
C26	166-4711-50	470pF CH	IC4	051-6060-08	BD7961FM-E2	R40	119-4721-15	1/10W 4.7k ohm
C27	168-1052-78	16V 1uF	IC8	051-9402-78	BR93L56RFVM-W	R41	119-4731-15	1/10W 47k ohm
C28	168-4732-78	0.047uF K	IC9	051-6072-08	BD7931FE2	R43	119-4731-15	1/10W 47k ohm
C29	166-4711-50	470pF CH	IC10	051-5833-00	GP1S093HCZ	R44	119-2201-15	1/10W 22 ohm
C30	166-1007-50	10pF CH	IC11	051-3392-90	S-1323B15NB-N8ATFG	R45	119-1511-15	1/10W 150 ohm
C31	166-1007-50	10pF CH	J1	074-1237-69	SOCKET 19P	R46	119-4721-15	1/10W 4.7k ohm
C32	168-1042-78	16V 0.1uF	J2	074-1201-65	SOCKET 15P	R48	119-1041-15	1/10W 100k ohm
C33	168-2222-55	2200pF K	J3	074-1138-56	SOCKET 6P	R49	119-2211-15	1/10W 220 ohm
C34	168-1042-78	16V 0.1uF	J4	074-1100-61	SOCKET 11P	R50	119-2211-15	1/10W 220 ohm
C35	168-1042-78	16V 0.1uF	J5	074-1201-61	SOCKET 11P	R51	119-0000-05	1/10W 0 ohm JW
C36	168-1042-78	16V 0.1uF	Q1	060-0252-01	PT4850F	R53	119-5621-15	1/10W 5.6k ohm
C37	168-6822-55	6800pF K	Q2	125-0021-91	DTA114EUA	R55	119-3341-15	1/10W 330k ohm
C39	168-1042-78	16V 0.1uF	Q3	198-3018-00	2SK3018	R56	119-4731-15	1/10W 47k ohm
C40	168-3332-78	0.033uF K	Q4	190-2060-00	2SA2060	R57	119-2231-15	1/10W 22k ohm
C41	168-1042-78	16V 0.1uF	Q8	190-2060-00	2SA2060	R58	119-2211-15	1/10W 220 ohm
C42	168-1042-78	16V 0.1uF	Q9	125-9026-90	IMF29	R59	119-1511-15	1/10W 150 ohm
C43	168-1042-78	16V 0.1uF	Q10	125-2027-91	DTC114EUA	R60	119-4731-15	1/10W 47k ohm
C45	168-1042-78	16V 0.1uF	Q11	125-0021-91	DTA114EUA	R61	119-1041-15	1/10W 100k ohm
C46	168-1042-78	16V 0.1uF	Q12	125-2027-91	DTC114EUA	R62	119-1041-15	1/10W 100k ohm
C48	168-1042-78	16V 0.1uF	Q13	125-9026-90	IMF29	R63	119-1041-15	1/10W 100k ohm
C49	168-1042-78	16V 0.1uF	R1	119-6811-15	1/10W 680 ohm	R64	119-1011-15	1/10W 100 ohm
C50	168-1042-78	16V 0.1uF	R2	119-6811-15	1/10W 680 ohm	R65	119-1041-15	1/10W 100k ohm
C51	168-1042-78	16V 0.1uF	R3	032-0163-91	1/2W 10 ohm	R66	117-5611-15	1/8W 560 ohm
C52	168-5622-55	5600pF K	R4	032-0163-91	1/2W 10 ohm	R67	116-3311-15	1/4W 330 ohm
C53	168-1042-78	16V 0.1uF	R5	119-2231-15	1/10W 22k ohm	R68	116-3311-15	1/4W 330 ohm
C54	166-6801-50	68pF CH	R6	116-1001-15	1/4W 10 ohm	R81	116-1591-15	1/4W 1.5 ohm
C55	168-1532-55	0.015uF K	R7	119-1021-15	1/10W 1k ohm	R101	119-0000-05	1/10W 0 ohm JW
C56	168-1042-78	16V 0.1uF	R8	116-1591-15	1/4W 1.5 ohm	R102	119-0000-05	1/10W 0 ohm JW
C57	168-1032-55	0.01uF K	R9	119-2231-15	1/10W 22k ohm	R103	119-0000-05	1/10W 0 ohm JW
C58	168-1042-78	16V 0.1uF	R10	119-4711-15	1/10W 470 ohm	R211	119-1041-15	1/10W 100k ohm
C59	168-1042-78	16V 0.1uF	R11	119-2211-15	1/10W 220 ohm	R212	119-1041-15	1/10W 100k ohm
C60	168-1522-55	1500pF K	R12	119-6811-15	1/10W 680 ohm	S1	013-7416-50	SW SPVL110200
C61	168-3322-55	3300pF K	R13	119-1011-15	1/10W 100 ohm	S2	013-7416-50	SW SPVL110200
C62	168-1032-55	0.01uF K	R14	119-2231-15	1/10W 22k ohm	S3	013-7412-50	SPVG21
C64	168-1042-78	16V 0.1uF	R15	119-8231-15	1/10W 82k ohm	S4	013-7415-50	SPVG110400
C67	168-1032-55	0.01uF K	R16	119-1041-15	1/10W 100k ohm	X1	061-3534-90	16.92MHz
C69	168-1532-55	0.015uF K	R17	119-1041-15	1/10W 100k ohm	X3	060-1545-90	20MHz
C70	166-4701-50	47pF CH	R18	119-1041-15	1/10W 100k ohm	PWB	039-3058-20	PWB(WITHOUT COMPONENT)
C71	168-1042-78	16V 0.1uF						

## Sensor-L-PFC(BM2) section

REF No.	PART No.	DESCRIPTION	REF No.	PART No.	DESCRIPTION
PT1	060-0252-01	PT14850F	PWB	039-3003-20	PWB(WITHOUT COMPONENTS)
PT2	060-0252-01	PT14850F			
PT3	051-5833-00	GP1S093HCZ			

## Sensor-U-PFC(BM3) section

REF No.	PART No.	DESCRIPTION	REF No.	PART No.	DESCRIPTION	REF No.	PART No.	DESCRIPTION
LED1	001-7077-00	GL4804	LED3	001-7042-00	GL4800	PWB	039-3004-20	PWB(WITHOUT COMPONENTS)
LED2	001-7042-00	GL4800	S5	013-7417-50	ABC1122P161			