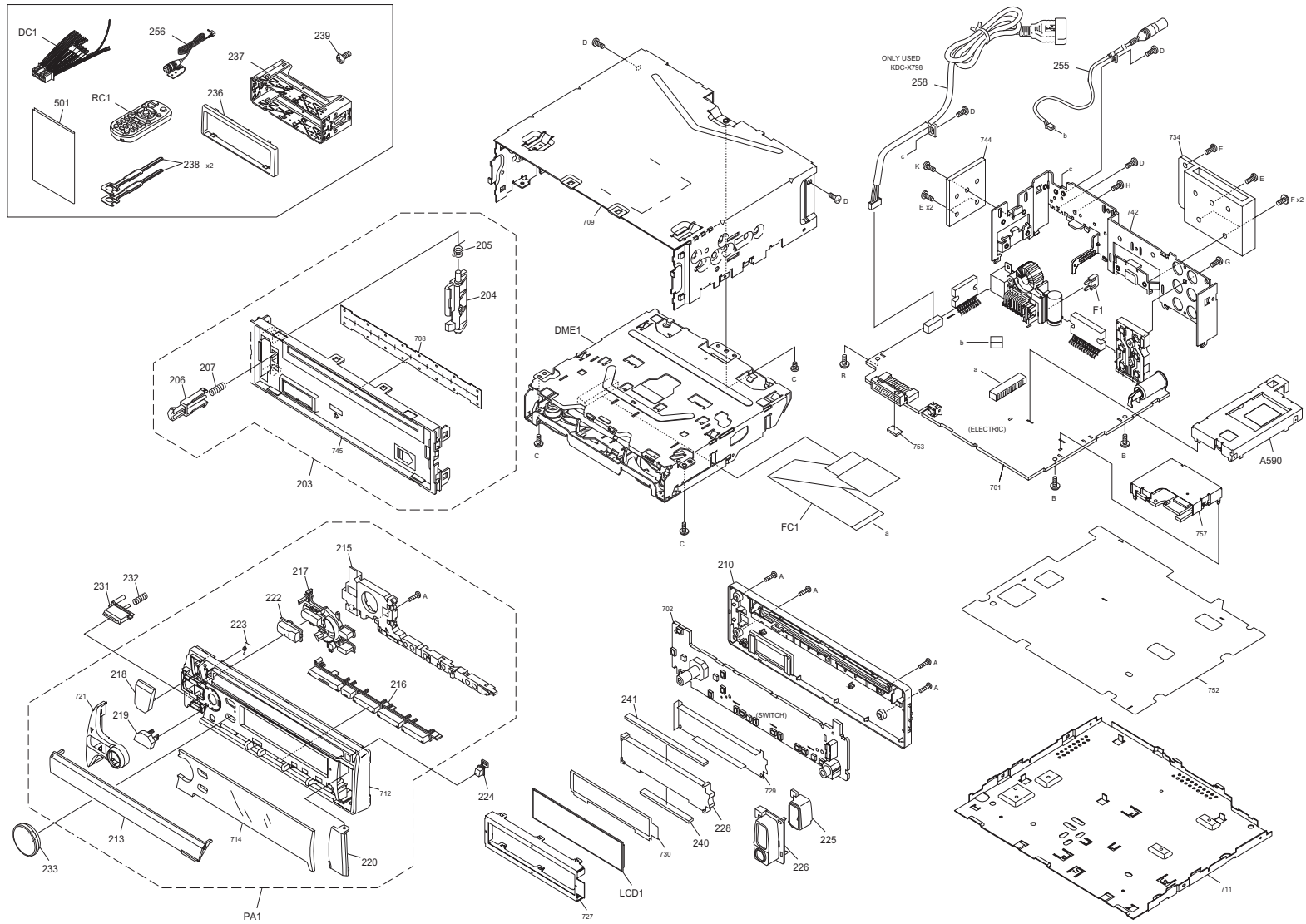


EXPLODED VIEW(UNIT)

Block No.200



No.WA118

Parts with the exploded numbers larger than 700 are not supplied.

created date:2014-04-03

MODEL	MARK	MODEL	MARK	MODEL	MARK
KDC-BT710HD	K2	KDC-BT758HD	K1	KDC-X798	K0

Safe	Symbol No.	Parts No.	Parts Name	Description	QTY	Local
------	------------	-----------	------------	-------------	-----	-------

EXPLODED VIEW (UNIT) <200>

	A590	X86-4340-10	TUNER UNIT		1	
△	DC1	QAM1341-001	DC CORD		1	
	DME1	X92-6830-00	CD MECHANISM		1	
△	F1	QMFZ064-100-J1	FUSE	10A	1	
	FC1	WJT0342-001A-E	E-CARD WIRE		1	
	LCD1	QLD0727-001	LCD MODULE		1	
	PA1	GE20354-026A	FRONT PANEL ASSY		1	K2
	PA1	GE20354-002A	FRONT PANEL ASSY		1	K1
	PA1	GE20354-001A	FRONT PANEL ASSY		1	K0
	RC1	QAL1303-004	REMOTE CONTROL UNIT		1	
	A	QYSDSF2008ZA	TAP SCREW	M2 x 8mm	5	
	B	GE40377-002A	SCREW		3	
	C	QYSDST2604ZA	TAP SCREW	M2.6 x 4mm	3	
	D	QYSDST2606ZA	TAP SCREW	M2.6 x 6mm	4	K2,K1
	D	QYSDST2606ZA	TAP SCREW	M2.6 x 6mm	5	K0
	E	QYSDST2610ZA	TAP SCREW	M2.6 x 10mm	4	
	F	GE40377-005A	SPECIAL SCREW		2	
	G	QYSDSF2608ZA	TAP SCREW	M2.6 x 8mm	1	
	H	QYSDSG3006ZA	TAP SCREW	M3 x 6mm	1	
	K	QYSDST2608ZA	TAP SCREW	M2.6 x 8mm	1	
	203	GE35691-001A	F.CHASSIS ASSY		1	
	204	GE35686-001A	LOCK LEVER		1	
	205	GE40504-001A	SPRING		1	
	206	GE35687-001A	RELEASE LEVER		1	
	207	GE40505-001A	SPRING		1	
	210	GE10387-001A	REAR COVER		1	
	213	GE20355-026A	CD COVER		1	K2
	213	GE20355-002A	CD COVER		1	K1
	213	GE20355-001A	CD COVER		1	K0
	215	GE10388-001A	LIGHT GUIDE		1	
	216	GE20346-001A	PRESET BUTTON		1	
	217	GE20347-001A	VOL LENS		1	
	218	GE35681-001A	SRC BUTTON		1	
	219	GE35682-001A	SEARCH BUTTON		1	
	220	GE35671-001A	USB DOOR		1	
	222	GE35674-005A	ACC BTN TOP		1	
	223	G01-4823-04	TOR.COIL SPRING		1	
	224	GE35669-001A	EJECT BUTTON		1	
	225	GE35672-001A	USB LIGHT LENS		1	
	226	GE35673-001A	USB HOLDER		1	
	228	GE35679-001A	LCD LENS		1	
	231	GE35677-001A	DETACH BUTTON		1	
	232	GE40505-003A	SPRING		1	
	233	GE40678-003A	VOL KNOB ASSY		1	K2,K1
	233	GE40678-002A	VOL KNOB ASSY		1	K0
	236	GE20352-001A	TRIM PLATE		1	K2,K1
	236	GE20351-001A	TRIM PLATE		1	K0
	237	GE34826-002A	M.SLEEVE ASSY		1	
	238	GE40578-002A	HOOK		2	
	239	QYSPSF2008ZA	TAP SCREW	M2 x 8mm	1	
	240	QNZ1115-001	RUBBER CONNE		1	
	241	QNZ1116-001	RUBBER CONNE		1	
	255	QAM1370-001	CAR CABLE		1	
	256	QAN0126-001	MICROPHONE		1	
	258	QAM1513-001	USB CABLE		1	K0
	501	GET0971-001A	INST MANUAL	ENG SPA FRE	1	

MODEL	MARK	MODEL	MARK	MODEL	MARK
KDC-BT710HD	K2	KDC-BT758HD	K1	KDC-X798	K0

Safe	Symbol No.	Parts No.	Parts Name	Description	QTY	Local
------	------------	-----------	------------	-------------	-----	-------

EXPLODED VIEW (CD MECHANISM: X92-6830-00) <130>

	DM1	X94-2230-00	MD CHASSIS ASSY		1	
	DM2	X94-2240-00	LOADING MOTOR ASSY		1	
△	DPU1	QAL1521-001	PICK UP		1	
	FPC1	QAL1465-001	FPC		1	
A		LV45568-001A	MINI SCREW		2	
B		QYSPSGT1745ZA	TAP SCREW	M1.7 x 4.5mm	1	
C		QYSPSPT2025MA	SCREW	M2 x 2.5mm	2	
D		N09-6108-15	TAPTITE SCREW		4	
E		N09-6738-15	TAPTITE SCREW		4	
F		N09-6921-05	TAPTITE SCREW		1	
G		N19-2356-04	FLAT WASHER		2	
1		A10-5625-21	CHASSIS		1	
2		A10-5626-01	CHASSIS		1	
3		D10-7174-03	ARM		1	
4		D10-7175-03	ARM		1	
5		D10-7177-02	SLIDER		1	
6		D10-7178-03	SLIDER		1	
7		D10-7179-02	SLIDER		1	
8		D10-7180-03	ARM		1	
9		D10-7181-13	LEVER		1	
10		D10-7182-12	LEVER		1	
11		D10-7183-02	ARM		1	
12		D10-7184-03	ARM		1	
13		D10-7185-04	ARM		1	
14		D10-7186-03	ARM		1	
15		D10-7187-13	ARM		1	
18		D13-3104-04	GEAR		1	
19		D13-3105-04	GEAR		1	
20		D13-3106-04	GEAR		1	
21		D13-3107-04	GEAR		1	
22		D13-3108-04	GEAR		1	
23		D13-3109-04	WORM		1	
24		D13-3110-04	GEAR		1	
25		D13-3111-04	GEAR		1	
26		D13-3112-04	GEAR		1	
27		D13-3113-04	GEAR		1	
28		D13-3114-03	RACK GEAR		1	
32		D23-0974-14	RETAINER		1	
33		D39-0403-05	DAMPER		2	
37		G01-4810-04	EXTEN.SPRING		2	
38		G01-4829-04	EXTEN.SPRING		2	
39		G01-4813-04	EXTEN.SPRING		1	
40		G01-4814-04	TOR.COIL SPRING		1	
41		G01-4815-04	EXTEN.SPRING		1	
42		G01-4816-04	TOR.COIL SPRING		1	
43		G01-4817-04	EXTEN.SPRING		1	
44		LV36813-501A	SUB GUIDE CAP		1	
46		LV44555-001A	MAIN SHAFT		1	
47		J11-0692-03	CLAMPER		1	
49		J19-7360-21	HOLDER		1	
50		J90-1209-21	GUIDE		1	
54		X94-2250-00	ROLLER ASSY		1	
55		D39-0404-05	DAMPER		1	
56		G01-4812-04	EXTEN.SPRING		2	

MODEL	MARK	MODEL	MARK	MODEL	MARK
KDC-BT710HD	K2	KDC-BT758HD	K1	KDC-X798	K0

Safe	Symbol No.	Parts No.	Parts Name	Description	QTY	Local
ELECTRIC UNIT (X34-7770-1x) <X34>						
	IC80	MFI337S3959-X	IC		1	
	IC161	TDA7720B-X	IC		1	
△	IC301	JCV8031	IC		1	
△	IC530	XC6223D331PG-X	IC		1	
△	IC701	R5S726B0D216FP	IC		1	
	IC710	BR24T256FJ-W-X	IC		1	
	IC720	BU4228F-W	IC		1	
	IC801	TC7SH08FU-X	IC(DIGITAL)		1	
	IC802	TC7SET08FU-J-X	IC(DIGITAL)		1	
△	IC840	W10-0894-08	IC		1	
△	IC901	LV5684NPVD	IC		1	
	IC906	TC7WBL126AFK-X	IC(DIGITAL)		1	
△	IC921	BU33TD3WG-W	IC		1	
△	IC931	BD9848FV-X	IC		1	
△	IC943	BU1CTD3WG-W	IC		1	
△	IC951	MM1663DH-X	IC		1	
	IC981	TPS2065CDBV-X	IC		1	K0
	IC982	TPS2065CDBV-X	IC		1	
	Q250	LTC043TEB-X	DIGI TRANSISTOR		1	
	Q251	LTC043TEB-X	DIGI TRANSISTOR		1	
	Q320	LTC043TEB-X	DIGI TRANSISTOR		1	
	Q321	LTC043TEB-X	DIGI TRANSISTOR		1	
	Q330	LTC043TEB-X	DIGI TRANSISTOR		1	
	Q331	LTC043TEB-X	DIGI TRANSISTOR		1	
	Q780	LTA024EUB-X	DIGI TRANSISTOR		1	
	Q781	LTC024EUB-X	DIGI TRANSISTOR		1	
	Q782	LTA024EUB-X	DIGI TRANSISTOR		1	
△	Q831	RSQ035P03-W	MOS FET		1	
	Q912	LTA014EUB-X	DIGI TRANSISTOR		1	
	Q920	RSQ030P03-W	MOS FET		1	
	Q921	LTC044EUB-X	DIGI TRANSISTOR		1	
△	Q931	RSQ035P03-W	MOS FET		1	
	Q940	DSA2001/R/-X	TRANSISTOR		1	
	Q941	LTC024EUB-X	DIGI TRANSISTOR		1	
	Q970	LSCR523UB-X	TRANSISTOR		1	
	Q971	LSCR523UB-X	TRANSISTOR		1	
	Q972	LSCR523UB-X	TRANSISTOR		1	
	D2	NAF0029-002X	ESD SUPPRESSOR		1	
	D90	DZ2J062/M/-X	Z DIODE		1	
	D93	DZ2J091/M/-X	Z DIODE		1	K0
	D94	DZ2J051/M/-X	Z DIODE		1	
	D100	DZ2J062/M/-X	Z DIODE		1	
	D101	DZ2J062/M/-X	Z DIODE		1	
	D102	DZ2J062/M/-X	Z DIODE		1	
	D478	NAF0029-002X	ESD SUPPRESSOR		1	K0
	D479	NAF0029-002X	ESD SUPPRESSOR		1	K0
	D780	BAW56-TP-X	SI DIODE		1	
	D781	BAW56-TP-X	SI DIODE		1	
	D782	DA2J101-X	SI DIODE		1	
	D783	BAW56-TP-X	SI DIODE		1	
	D800	DZ2J062/M/-X	Z DIODE		1	
	D801	DZ2J062/M/-X	Z DIODE		1	
	D802	DZ2J062/M/-X	Z DIODE		1	
	D803	DZ2J062/M/-X	Z DIODE		1	
	D804	DZ2J062/M/-X	Z DIODE		1	
	D805	DZ2J062/M/-X	Z DIODE		1	
	D831	RB051L-40-X	SB DIODE		1	
	D891	BAW56-TP-X	SI DIODE		1	
△	D901	1N5401-BPC04	SI DIODE		1	
	D902	SK34A-L-X	SB DIODE		1	
	D904	SK34A-L-X	SB DIODE		1	
	D906	MBRX130-TP-X	SB DIODE		1	
	D907	MBRX130-TP-X	SB DIODE		1	
	D908	DZ2J051/M/-X	Z DIODE		1	
	D909	RB521SM-30-X	SB DIODE		1	
	D931	DB22320-X	SB DIODE		1	
	D932	GS1J-LTP-X	SI DIODE		1	
	D933	GS1J-LTP-X	SI DIODE		1	
	D934	GS1J-LTP-X	SI DIODE		1	
	D935	GS1J-LTP-X	SI DIODE		1	
	D941	GS1J-LTP-X	SI DIODE		1	
	D970	DZ2J062/M/-X	Z DIODE		1	
	D971	DZ2J068/M/-X	Z DIODE		1	
	D972	DZ2J062/M/-X	Z DIODE		1	
	C3	CC73GCH1H020C	C CAPACITOR	2pF 50V C	1	
	C5	CC73GCH1H270J	C CAPACITOR	27pF 50V J	1	
	C6	CC73GCH1H101J	C CAPACITOR	100pF 50V J	1	
	C8	CC73GCH1H020C	C CAPACITOR	2pF 50V C	1	
	C9	CK73GBB1H103K	C CAPACITOR	0.01uF 50V K	1	
	C10	CC73GCH1H020C	C CAPACITOR	2pF 50V C	1	
	C11	CC73GCH1H020C	C CAPACITOR	2pF 50V C	1	
	C80	CK73GBB1C104K	C CAPACITOR	0.1uF 16V K	1	
	C87	CK73GBB1H333K	C CAPACITOR	0.033uF 50V K	1	
	C88	NCB31AK-105X	C CAPACITOR	1uF 10V K	1	K0
	C89	NCB31AK-105X	C CAPACITOR	1uF 10V K	1	
	C91	CC73GCH1H681J	C CAPACITOR	680pF 50V J	1	
	C95	CC73GCH1H820J	C CAPACITOR	82pF 50V J	1	
	C96	CC73GCH1H820J	C CAPACITOR	82pF 50V J	1	
	C97	CC73GCH1H101J	C CAPACITOR	100pF 50V J	1	
	C98	NCB31AK-105X	C CAPACITOR	1uF 10V K	1	K2,K1
	C99	QEKJ0JM-107Z	E CAPACITOR	100uF 6.3V M	1	

MODEL	MARK	MODEL	MARK	MODEL	MARK
KDC-BT710HD	K2	KDC-BT758HD	K1	KDC-X798	K0

Safe	Symbol No.	Parts No.	Parts Name	Description	QTY	Local
	C100	CK73FBB1H104K	C CAPACITOR	0.1uF 50V K	1	
	C101	CK73GBB1H102K	C CAPACITOR	1000pF 50V K	1	
	C102	CK73GBB1H102K	C CAPACITOR	1000pF 50V K	1	
	C103	NCB31AK-105X	C CAPACITOR	1uF 10V K	1	
	C104	NCB31AK-105X	C CAPACITOR	1uF 10V K	1	
	C105	NCB31AK-105X	C CAPACITOR	1uF 10V K	1	
	C107	CK73EXR1E106K	C CAPACITOR	10uF 25V K	1	
	C163	CD04AV1V4R7M	E CAPACITOR	4.7uF 35V M	1	
	C164	CD04AV1V4R7M	E CAPACITOR	4.7uF 35V M	1	
	C165	QEKJ1EM-106Z	E CAPACITOR	10uF 25V M	1	
	C166	NCB31HK-104X	C CAPACITOR	0.1uF 50V K	1	
	C169	NCB31AK-105X	C CAPACITOR	1uF 10V K	1	
	C170	NCB31AK-105X	C CAPACITOR	1uF 10V K	1	
	C171	NCB31HK-104X	C CAPACITOR	0.1uF 50V K	1	
	C172	QEKJ1CM-107Z	E CAPACITOR	100uF 16V M	1	
	C177	NCB31AK-105X	C CAPACITOR	1uF 10V K	1	
	C178	NCB31CK-105X	C CAPACITOR	1uF 16V K	1	
	C179	NCB31CK-105X	C CAPACITOR	1uF 16V K	1	
	C183	NCB31CK-105X	C CAPACITOR	1uF 16V K	1	
	C184	NCB31CK-105X	C CAPACITOR	1uF 16V K	1	
	C185	NCB31CK-105X	C CAPACITOR	1uF 16V K	1	
	C250	CC73GCH1H101J	C CAPACITOR	100pF 50V J	1	
	C251	CD04AV1C100M	E CAPACITOR	10uF 16V M	1	
	C260	CC73GCH1H101J	C CAPACITOR	100pF 50V J	1	
	C261	CD04AV1C100M	E CAPACITOR	10uF 16V M	1	
	C303	CC73GCH1H820J	C CAPACITOR	82pF 50V J	1	
	C304	QEKJ1CM-476Z	E CAPACITOR	47uF 16V M	1	
	C305	CC73GCH1H820J	C CAPACITOR	82pF 50V J	1	
	C306	CC73GCH1H820J	C CAPACITOR	82pF 50V J	1	
	C307	CC73GCH1H560J	C CAPACITOR	56pF 50V J	1	
	C308	CC73GCH1H560J	C CAPACITOR	56pF 50V J	1	
	C309	CC73GCH1H560J	C CAPACITOR	56pF 50V J	1	
	C310	CC73GCH1H560J	C CAPACITOR	56pF 50V J	1	
	C312	CK730AV1C105K	C CAPACITOR	1uF 16V K	1	
	C316	CK730BV1C224K	C CAPACITOR	0.22uF 16V K	1	
	C317	CK730BV1C224K	C CAPACITOR	0.22uF 16V K	1	
	C318	CK730BV1C224K	C CAPACITOR	0.22uF 16V K	1	
	C319	CK730BV1C224K	C CAPACITOR	0.22uF 16V K	1	
	C320	CC73GCH1H101J	C CAPACITOR	100pF 50V J	1	
	C321	CD04AV1C100M	E CAPACITOR	10uF 16V M	1	
	C322	CK73GBB1H333K	C CAPACITOR	0.033uF 50V K	1	
	C330	CC73GCH1H101J	C CAPACITOR	100pF 50V J	1	
	C331	CD04AV1C100M	E CAPACITOR	10uF 16V M	1	
	C340	CC73GCH1H101J	C CAPACITOR	100pF 50V J	1	
	C341	CD04AV1C100M	E CAPACITOR	10uF 16V M	1	
	C350	CC73GCH1H101J	C CAPACITOR	100pF 50V J	1	
	C351	CD04AV1C100M	E CAPACITOR	10uF 16V M	1	
	C368	NCB31AK-105X	C CAPACITOR	1uF 10V K	1	
	C369	CK73FXR1C475K	C CAPACITOR	4.7uF 16V K	1	
	C501	NCB31HK-104X	C CAPACITOR	0.1uF 50V K	1	
	C530	CK73GBB1H472K	C CAPACITOR	4700pF 50V K	1	
	C531	NCB31CK-105X	C CAPACITOR	1uF 16V K	1	
	C532	QEKJ0JM-476Z	E CAPACITOR	47uF 6.3V M	1	
	C533	NCB31CK-105X	C CAPACITOR	1uF 16V K	1	
	C535	QEKJ0JM-476Z	E CAPACITOR	47uF 6.3V M	1	
	C593	CC73GCH1H681J	C CAPACITOR	680pF 50V J	1	
	C594	CC73GCH1H681J	C CAPACITOR	680pF 50V J	1	
	C709	CC73HCH1H100D	C CAPACITOR	10pF 50V D	1	
	C710	CC73HCH1H100D	C CAPACITOR	10pF 50V D	1	
	C711	CK73GBB1C473K	C CAPACITOR	0.047uF 16V K	1	
	C713	CK73GBB1H473K	C CAPACITOR	0.047uF 50V K	1	
	C714	CK73GBB1H152K	C CAPACITOR	1500pF 50V K	1	
	C715	NCB31HK-104X	C CAPACITOR	0.1uF 50V K	1	
	C716	NCB31HK-104X	C CAPACITOR	0.1uF 50V K	1	
	C717	NCB31HK-104X	C CAPACITOR	0.1uF 50V K	1	
	C718	NCB31HK-104X	C CAPACITOR	0.1uF 50V K	1	
	C719	NCB31HK-104X	C CAPACITOR	0.1uF 50V K	1	
	C722	NCB31HK-104X	C CAPACITOR	0.1uF 50V K	1	
	C725	NCB31HK-104X	C CAPACITOR	0.1uF 50V K	1	
	C726	NCB31HK-104X	C CAPACITOR	0.1uF 50V K	1	
	C727	NCB31HK-104X	C CAPACITOR	0.1uF 50V K	1	
	C728	NCB31HK-104X	C CAPACITOR	0.1uF 50V K	1	
	C729	NCB31CK-105X	C CAPACITOR	1uF 16V K	1	
	C730	NCB31HK-104X	C CAPACITOR	0.1uF 50V K	1	
	C734	CK73GBB1H272K	C CAPACITOR	2700pF 50V K	1	
	C735	CK73GBB1C104K	C CAPACITOR	0.1uF 16V K	1	
	C746	CK73HBB1H152K	C CAPACITOR	1500pF 50V K	1	
	C747	NCB31HK-104X	C CAPACITOR	0.1uF 50V K	1	
	C748	NCB31HK-104X	C CAPACITOR	0.1uF 50V K	1	
	C749	NCB31HK-104X	C CAPACITOR	0.1uF 50V K	1	
	C750	CC73HCH1H470J	C CAPACITOR	47pF 50V J	1	
	C751	NCB31HK-104X	C CAPACITOR	0.1uF 50V K	1	
	C752	NCB31HK-104X	C CAPACITOR	0.1uF 50V K	1	
	C753	NCB31HK-104X	C CAPACITOR	0.1uF 50V K	1	
	C754	NCB31HK-104X	C CAPACITOR	0.1uF 50V K	1	
	C755	NCB31HK-104X	C CAPACITOR	0.1uF 50V K	1	
	C756	NCB31HK-104X	C CAPACITOR	0.1uF 50V K	1	
	C757	CK73HBB1H102K	C CAPACITOR	1000pF 50V K	1	
	C781	NCB31CK-105X	C CAPACITOR	1uF 16V K	1	
	C804	CK73GBB1H103K	C CAPACITOR	0.01uF 50V K	1	
	C805	CK73GBB1H103K	C CAPACITOR	0.01uF 50V K	1	
	C807	NCB31HK-104X	C CAPACITOR	0.1uF 50V K	1	

MODEL	MARK	MODEL	MARK	MODEL	MARK
KDC-BT710HD	K2	KDC-BT758HD	K1	KDC-X798	K0

Safe	Symbol No.	Parts No.	Parts Name	Description	QTY	Local
	C830	CK73GGB1H472K	C CAPACITOR	4700pF 50V K	1	
	C831	CK73EXR1E106K	C CAPACITOR	10uF 25V K	1	
	C832	CK73EXR1E106K	C CAPACITOR	10uF 25V K	1	
	C833	CC73GCH1H681J	C CAPACITOR	680pF 50V J	1	
	C834	CK73GGB1H472K	C CAPACITOR	4700pF 50V K	1	
	C835	CK73GGB1H471K	C CAPACITOR	470pF 50V K	1	
	C836	NCB31HK-104X	C CAPACITOR	0.1uF 50V K	1	
	C839	CK73GGB1H223K	C CAPACITOR	0.022uF 50V K	1	
	C840	CK73GGB1C104K	C CAPACITOR	0.1uF 16V K	1	
	C841	CK73HBB1H222K	C CAPACITOR	2200pF 50V K	1	
	C842	NCB31HK-104X	C CAPACITOR	0.1uF 50V K	1	
	C843	CK73HBB1H682K	C CAPACITOR	6800pF 50V K	1	
	C858	CK73EXR1E106K	C CAPACITOR	10uF 25V K	1	
	C859	CK73GXR1E474K	C CAPACITOR	0.47uF 25V K	1	
	C860	CK73GGB1H102K	C CAPACITOR	1000pF 50V K	1	
	C873	CK73GXR1E474K	C CAPACITOR	0.47uF 25V K	1	
	C891	NCB31HK-104X	C CAPACITOR	0.1uF 50V K	1	
	C901	QEZ0981-228	E CAPACITOR	2200uF	1	
	C902	QEKJ1CM-476Z	E CAPACITOR	47uF 16V M	1	
	C903	QEKJ1CM-107Z	E CAPACITOR	100uF 16V M	1	
	C904	CD04AR1C471M	E CAPACITOR	470uF 16V M	1	
	C905	CD04AS0J101M	E CAPACITOR	100uF 6.3V M	1	
	C907	QEKJ1EM-106Z	E CAPACITOR	10uF 25V M	1	
	C908	QEKJ1EM-106Z	E CAPACITOR	10uF 25V M	1	
	C909	QEKJ1EM-106Z	E CAPACITOR	10uF 25V M	1	
	C910	CK73GGB1C104K	C CAPACITOR	0.1uF 16V K	1	
	C911	CK73GGB1C104K	C CAPACITOR	0.1uF 16V K	1	
	C912	QEKJ1CM-476Z	E CAPACITOR	47uF 16V M	1	
	C915	NCB31HK-104X	C CAPACITOR	0.1uF 50V K	1	
	C917	CC73GCH1H070D	C CAPACITOR	7pF 50V D	1	
	C921	NCB31CK-105X	C CAPACITOR	1uF 16V K	1	
	C922	NCB31CK-105X	C CAPACITOR	1uF 16V K	1	
	C923	CK73GGB1C474K	C CAPACITOR	0.47uF 16V K	1	
	C925	QEKJ0JM-476Z	E CAPACITOR	47uF 6.3V M	1	
	C929	CK73GGB1H472K	C CAPACITOR	4700pF 50V K	1	
	C930	NCB31CK-105X	C CAPACITOR	1uF 16V K	1	
	C931	CK73EXR1E106K	C CAPACITOR	10uF 25V K	1	
	C932	CK73EXR1E106K	C CAPACITOR	10uF 25V K	1	
	C933	CC73GCH1H391J	C CAPACITOR	390pF 50V J	1	
	C934	NCB31HK-104X	C CAPACITOR	0.1uF 50V K	1	
	C935	NCB31CK-105X	C CAPACITOR	1uF 16V K	1	
	C936	NCJ11EK-106X-R	C CAPACITOR	10uF 25V	1	
	C937	NCJ11EK-106X-R	C CAPACITOR	10uF 25V	1	
	C938	NCB31HK-104X	C CAPACITOR	0.1uF 50V K	1	
	C939	CK73GGB1H223K	C CAPACITOR	0.022uF 50V K	1	
	C941	CK73HBB1C822K	C CAPACITOR	8200pF 16V K	1	
	C942	CC73HCH1H391J	C CAPACITOR	390pF 50V J	1	
	C943	CK73HBB1H222K	C CAPACITOR	2200pF 50V K	1	
	C950	NCB31HK-104X	C CAPACITOR	0.1uF 50V K	1	
	C951	QEZ0850-157Z	E CAPACITOR	150uF	1	
	C952	NCB31CK-105X	C CAPACITOR	1uF 16V K	1	
	C953	QEKJ0JM-476Z	E CAPACITOR	47uF 6.3V M	1	
	C954	QEKJ0JM-476Z	E CAPACITOR	47uF 6.3V M	1	
	C955	CK73GGB1C474K	C CAPACITOR	0.47uF 16V K	1	
	C956	CC73GCH1H471J	C CAPACITOR	470pF 50V J	1	
	C958	CK73EXR1E106K	C CAPACITOR	10uF 25V K	1	
	C959	CK73GXR1E474K	C CAPACITOR	0.47uF 25V K	1	
	C960	CK73GGB1H102K	C CAPACITOR	1000pF 50V K	1	
	C961	CK73GGB1H472K	C CAPACITOR	4700pF 50V K	1	
	C962	NCB31CK-105X	C CAPACITOR	1uF 16V K	1	
	C963	CK73GGB1C474K	C CAPACITOR	0.47uF 16V K	1	
	C964	CK73GGB1C474K	C CAPACITOR	0.47uF 16V K	1	
	C965	QEKJ0JM-107Z	E CAPACITOR	100uF 6.3V M	1	
	C966	CK73GGB1H103K	C CAPACITOR	0.01uF 50V K	1	
	C969	QEZ0850-157Z	E CAPACITOR	150uF	1	
	C973	CK73GXR1E474K	C CAPACITOR	0.47uF 25V K	1	
	C978	CK73GGB1H472K	C CAPACITOR	4700pF 50V K	1	
	C979	QEZ0850-157Z	E CAPACITOR	150uF	1	
	C980	NCB31HK-104X	C CAPACITOR	0.1uF 50V K	1	K0
	C981	NCB31HK-104X	C CAPACITOR	0.1uF 50V K	1	K0
	C982	CK73GGB1H103K	C CAPACITOR	0.01uF 50V K	1	
	C983	CK730BU0J106M	C CAPACITOR	10uF 6.3V M	1	
	C984	CK73GGB1H472K	C CAPACITOR	4700pF 50V K	1	
	C985	NCB31HK-104X	C CAPACITOR	0.1uF 50V K	1	K0
	C986	NCB31HK-104X	C CAPACITOR	0.1uF 50V K	1	
	C987	CK73GGB1H472K	C CAPACITOR	4700pF 50V K	1	
	C988	CC73GCH1H050C	C CAPACITOR	5pF 50V C	1	
	C990	NCB31HK-104X	C CAPACITOR	0.1uF 50V K	1	
	C993	CC73GCH1H820J	C CAPACITOR	82pF 50V J	1	
	C994	NCB31HK-104X	C CAPACITOR	0.1uF 50V K	1	
	C996	CK73GGB1H152K	C CAPACITOR	1500pF 50V K	1	
	R1	RK73GB2A000J	MG RESISTOR	0Ω 1/10W J	1	
	R2	RK73GB2A300J	MG RESISTOR	30Ω 1/10W J	1	
	R19	RK73GB2A000J	MG RESISTOR	0Ω 1/10W J	1	
	R22	RK73GB2A000J	MG RESISTOR	0Ω 1/10W J	1	
	R25	NRZ0084-0R0X	MG RESISTOR	0Ω	1	
	R26	NRZ0084-0R0X	MG RESISTOR	0Ω	1	
	R77	RK73GB2A000J	MG RESISTOR	0Ω 1/10W J	1	
	R79	RK73FB2B511J	MG RESISTOR	510Ω 1/8W J	1	K0
	R80	RK73GB2A101J	MG RESISTOR	100Ω 1/10W J	1	
	R81	RK73GB2A101J	MG RESISTOR	100Ω 1/10W J	1	
	R82	RK73GB2A472J	MG RESISTOR	4.7kΩ 1/10W J	1	
	R83	RK73GB2A472J	MG RESISTOR	4.7kΩ 1/10W J	1	

MODEL	MARK	MODEL	MARK	MODEL	MARK
KDC-BT710HD	K2	KDC-BT758HD	K1	KDC-X798	K0

Safe	Symbol No.	Parts No.	Parts Name	Description	QTY	Local
	R84	RK73GB2A472J	MG RESISTOR	4.7kΩ 1/10W J	1	
	R85	RK73GB2A181J	MG RESISTOR	180Ω 1/10W J	1	K0
	R86	RK73GB2A000J	MG RESISTOR	0Ω 1/10W J	1	K0
	R87	RK73GB2A000J	MG RESISTOR	0Ω 1/10W J	1	K2,K1
	R89	RK73GB2A221J	MG RESISTOR	220Ω 1/10W J	1	
	R90	RK73GB2A221J	MG RESISTOR	220Ω 1/10W J	1	
	R91	RK73FB2B181J	MG RESISTOR	180Ω 1/8W J	1	K2,K1
	R91	RK73FB2B511J	MG RESISTOR	510Ω 1/8W J	1	K0
	R92	RK73FB2B181J	MG RESISTOR	180Ω 1/8W J	1	K2,K1
	R92	RK73FB2B511J	MG RESISTOR	510Ω 1/8W J	1	K0
	R93	RK73GB2A750J	MG RESISTOR	75Ω 1/10W J	1	
	R94	RK73GB2A750J	MG RESISTOR	75Ω 1/10W J	1	
	R99	RK73GB2A222J	MG RESISTOR	2.2kΩ 1/10W J	1	
	R100	RK73EB2E471J	MG RESISTOR	470Ω 1/4W J	1	
	R101	RK73FB2B000J	MG RESISTOR	0Ω 1/8W J	1	
	R102	RK73FB2B101J	MG RESISTOR	100Ω 1/8W J	1	
	R103	RK73GB2A473J	MG RESISTOR	47kΩ 1/10W J	1	
	R104	RK73GB2A473J	MG RESISTOR	47kΩ 1/10W J	1	
	R105	RK73FB2B101J	MG RESISTOR	100Ω 1/8W J	1	
	R106	RK73GB2A162J	MG RESISTOR	1.6kΩ 1/10W J	1	
	R107	RK73HB1J473J	MG RESISTOR	47kΩ 1/16W J	1	
	R108	RK73HB1J162J	MG RESISTOR	1.6kΩ 1/16W J	1	
	R109	RK73HB1J473J	MG RESISTOR	47kΩ 1/16W J	1	
	R110	RK73HH1J392D	MG RESISTOR	3.9kΩ 1/16W D	1	
	R112	RK73HB1J162J	MG RESISTOR	1.6kΩ 1/16W J	1	
	R113	RK73HB1J473J	MG RESISTOR	47kΩ 1/16W J	1	
	R114	RK73GB2A103J	MG RESISTOR	10kΩ 1/10W J	1	
	R115	RK73GB2A392J	MG RESISTOR	3.9kΩ 1/10W J	1	
	R116	RK73GB2A103J	MG RESISTOR	10kΩ 1/10W J	1	
	R117	RK73GB2A392J	MG RESISTOR	3.9kΩ 1/10W J	1	
	R118	RK73GB2A000J	MG RESISTOR	0Ω 1/10W J	1	
	R121	RK73HB1J473J	MG RESISTOR	47kΩ 1/16W J	1	
	R122	RK73HB1J473J	MG RESISTOR	47kΩ 1/16W J	1	
	R160	RK73GB2A910J	MG RESISTOR	91Ω 1/10W J	1	
	R161	RK73GB2A910J	MG RESISTOR	91Ω 1/10W J	1	
	R162	RK73GB2A000J	MG RESISTOR	0Ω 1/10W J	1	
	R164	RK73GB2A222J	MG RESISTOR	2.2kΩ 1/10W J	1	
	R168	RK73GB2A101J	MG RESISTOR	100Ω 1/10W J	1	
	R169	RK73GB2A101J	MG RESISTOR	100Ω 1/10W J	1	
	R170	RK73EB2E000J	MG RESISTOR	0Ω 1/4W J	1	
	R171	RK73GB2A103J	MG RESISTOR	10kΩ 1/10W J	1	
	R175	RK73HB1J000J	MG RESISTOR	0Ω 1/16W J	1	
	R250	RK73GB2A181J	MG RESISTOR	180Ω 1/10W J	1	
	R251	RK73HB1J223J	MG RESISTOR	22kΩ 1/16W J	1	
	R252	RK73GB2A331J	MG RESISTOR	330Ω 1/10W J	1	
	R260	RK73GB2A181J	MG RESISTOR	180Ω 1/10W J	1	
	R261	RK73GB2A223J	MG RESISTOR	22kΩ 1/10W J	1	
	R262	RK73GB2A331J	MG RESISTOR	330Ω 1/10W J	1	
	R301	RK73GB2A000J	MG RESISTOR	0Ω 1/10W J	1	
	R302	RK73GB2A222J	MG RESISTOR	2.2kΩ 1/10W J	1	
	R303	RK73EB2E5R1J	MG RESISTOR	5.1Ω 1/4W J	1	
	R304	RK73GB2A473J	MG RESISTOR	47kΩ 1/10W J	1	
	R307	RK73GB2A000J	MG RESISTOR	0Ω 1/10W J	1	
	R320	RK73GB2A181J	MG RESISTOR	180Ω 1/10W J	1	
	R321	RK73HB1J223J	MG RESISTOR	22kΩ 1/16W J	1	
	R323	RK73GB2A331J	MG RESISTOR	330Ω 1/10W J	1	
	R330	RK73GB2A181J	MG RESISTOR	180Ω 1/10W J	1	
	R331	RK73HB1J223J	MG RESISTOR	22kΩ 1/16W J	1	
	R333	RK73GB2A331J	MG RESISTOR	330Ω 1/10W J	1	
	R340	RK73GB2A181J	MG RESISTOR	180Ω 1/10W J	1	
	R341	RK73HB1J223J	MG RESISTOR	22kΩ 1/16W J	1	
	R343	RK73GB2A331J	MG RESISTOR	330Ω 1/10W J	1	
	R345	RK73GB2A000J	MG RESISTOR	0Ω 1/10W J	1	
	R350	RK73GB2A181J	MG RESISTOR	180Ω 1/10W J	1	
	R351	RK73HB1J223J	MG RESISTOR	22kΩ 1/16W J	1	
	R353	RK73GB2A331J	MG RESISTOR	330Ω 1/10W J	1	
	R355	RK73GB2A000J	MG RESISTOR	0Ω 1/10W J	1	
	R360	RK73GB2A000J	MG RESISTOR	0Ω 1/10W J	1	
	R361	RK73GB2A000J	MG RESISTOR	0Ω 1/10W J	1	
	R362	RK73GB2A000J	MG RESISTOR	0Ω 1/10W J	1	
	R363	RK73GB2A000J	MG RESISTOR	0Ω 1/10W J	1	
	R364	RK73GB2A000J	MG RESISTOR	0Ω 1/10W J	1	
	R365	RK73GB2A000J	MG RESISTOR	0Ω 1/10W J	1	
	R402	RK73EB2E000J	MG RESISTOR	0Ω 1/4W J	1	
	R403	RK73EB2E000J	MG RESISTOR	0Ω 1/4W J	1	
	R404	RK73HB1J473J	MG RESISTOR	47kΩ 1/16W J	1	
	R410	RK73GB2A000J	MG RESISTOR	0Ω 1/10W J	1	
	R413	RK73GB2A473J	MG RESISTOR	47kΩ 1/10W J	1	
	R417	RK73EB2E000J	MG RESISTOR	0Ω 1/4W J	1	
	R418	RK73EB2E000J	MG RESISTOR	0Ω 1/4W J	1	
	R420	RK73EB2E000J	MG RESISTOR	0Ω 1/4W J	1	
	R422	RK73EB2E000J	MG RESISTOR	0Ω 1/4W J	1	
	R424	RK73GB2A000J	MG RESISTOR	0Ω 1/10W J	1	
	R425	RK73EB2E000J	MG RESISTOR	0Ω 1/4W J	1	
	R426	RK73GB2A000J	MG RESISTOR	0Ω 1/10W J	1	K2,K1
	R427	RK73EB2E000J	MG RESISTOR	0Ω 1/4W J	1	
	R430	RK73GB2A000J	MG RESISTOR	0Ω 1/10W J	1	
	R431	RK73EB2E000J	MG RESISTOR	0Ω 1/4W J	1	
	R432	RK73EB2E000J	MG RESISTOR	0Ω 1/4W J	1	
	R433	RK73EB2E000J	MG RESISTOR	0Ω 1/4W J	1	
	R434	RK73EB2E000J	MG RESISTOR	0Ω 1/4W J	1	
	R437	RK73GB2A000J	MG RESISTOR	0Ω 1/10W J	1	

MODEL	MARK	MODEL	MARK	MODEL	MARK
KDC-BT710HD	K2	KDC-BT758HD	K1	KDC-X798	K0

Safe	Symbol No.	Parts No.	Parts Name	Description	QTY	Local
	R438	RK73EB2E000J	MG RESISTOR	0Ω 1/4W J	1	
	R439	RK73GB2A000J	MG RESISTOR	0Ω 1/10W J	1	
	R440	RK73EB2E000J	MG RESISTOR	0Ω 1/4W J	1	
	R506	RK73EB2E100J	MG RESISTOR	10Ω 1/4W J	1	
	R595	RK73GB2A222J	MG RESISTOR	2.2kΩ 1/10W J	1	
	R596	RK73GB2A222J	MG RESISTOR	2.2kΩ 1/10W J	1	
	R698	RK73HB1J101J	MG RESISTOR	100Ω 1/16W J	1	
	R699	RK73HB1J101J	MG RESISTOR	100Ω 1/16W J	1	
	R700	RK73HB1J473J	MG RESISTOR	47kΩ 1/16W J	1	
	R702	RK73HB1J473J	MG RESISTOR	47kΩ 1/16W J	1	
	R704	RK73HB1J473J	MG RESISTOR	47kΩ 1/16W J	1	
	R705	RK73HB1J000J	MG RESISTOR	0Ω 1/16W J	1	
	R706	RK73HB1J473J	MG RESISTOR	47kΩ 1/16W J	1	
	R707	RK73HB1J472J	MG RESISTOR	4.7kΩ 1/16W J	1	
	R708	RK73HB1J103J	MG RESISTOR	10kΩ 1/16W J	1	
	R709	RK73GB2A101J	MG RESISTOR	100Ω 1/10W J	1	
	R710	RK73GB2A103J	MG RESISTOR	10kΩ 1/10W J	1	
	R711	RK73HB1J101J	MG RESISTOR	100Ω 1/16W J	1	
	R712	RK73GB2A472J	MG RESISTOR	4.7kΩ 1/10W J	1	
	R713	RK73HB1J101J	MG RESISTOR	100Ω 1/16W J	1	
	R714	RK73HB1J101J	MG RESISTOR	100Ω 1/16W J	1	
	R715	RK73EB2E101J	MG RESISTOR	100Ω 1/4W J	1	
	R716	RK73HB1J101J	MG RESISTOR	100Ω 1/16W J	1	
	R717	RK73HB1J103J	MG RESISTOR	10kΩ 1/16W J	1	
	R718	RK73HB1J222J	MG RESISTOR	2.2kΩ 1/16W J	1	
	R720	RK73HB1J473J	MG RESISTOR	47kΩ 1/16W J	1	
	R721	RK73HB1J000J	MG RESISTOR	0Ω 1/16W J	1	
	R722	RK73GB2A473J	MG RESISTOR	47kΩ 1/10W J	1	
	R723	RK73HB1J102J	MG RESISTOR	1kΩ 1/16W J	1	
	R724	RK73HB1J101J	MG RESISTOR	100Ω 1/16W J	1	
	R725	RK73GB2A102J	MG RESISTOR	1kΩ 1/10W J	1	
	R726	RK73HB1J101J	MG RESISTOR	100Ω 1/16W J	1	
	R727	RK73HB1J101J	MG RESISTOR	100Ω 1/16W J	1	
	R728	RK73GB2A101J	MG RESISTOR	100Ω 1/10W J	1	
	R729	RK73HB1J105J	MG RESISTOR	1MΩ 1/16W J	1	
	R730	RK73GB2A101J	MG RESISTOR	100Ω 1/10W J	1	
	R731	RK73HB1J152J	MG RESISTOR	1.5kΩ 1/16W J	1	
	R732	RK73HB1J101J	MG RESISTOR	100Ω 1/16W J	1	K0
	R733	RK73HB1J101J	MG RESISTOR	100Ω 1/16W J	1	
	R734	RK73HB1J101J	MG RESISTOR	100Ω 1/16W J	1	
	R735	RK73HB1J101J	MG RESISTOR	100Ω 1/16W J	1	
	R736	RK73GB2A101J	MG RESISTOR	100Ω 1/10W J	1	
	R737	RK73HB1J101J	MG RESISTOR	100Ω 1/16W J	1	
	R738	RK73HB1J101J	MG RESISTOR	100Ω 1/16W J	1	
	R739	RK73HB1J121J	MG RESISTOR	120Ω 1/16W J	1	
	R740	RK73HB1J121J	MG RESISTOR	120Ω 1/16W J	1	
	R741	RK73HB1J121J	MG RESISTOR	120Ω 1/16W J	1	
	R742	RK73HB1J101J	MG RESISTOR	100Ω 1/16W J	1	
	R743	RK73GB2A000J	MG RESISTOR	0Ω 1/10W J	1	
	R745	RK73GB2A000J	MG RESISTOR	0Ω 1/10W J	1	
	R746	RK73HB1J223J	MG RESISTOR	22kΩ 1/16W J	1	
	R747	RK73HB1J473J	MG RESISTOR	47kΩ 1/16W J	1	
	R748	RK73GB2A000J	MG RESISTOR	0Ω 1/10W J	1	
	R749	RK73HB1J101J	MG RESISTOR	100Ω 1/16W J	1	
	R750	RK73GB2A101J	MG RESISTOR	100Ω 1/10W J	1	
	R751	RK73HB1J330J	MG RESISTOR	33Ω 1/16W J	1	
	R752	RK73HB1J330J	MG RESISTOR	33Ω 1/16W J	1	
	R753	RK73GB2A153J	MG RESISTOR	15kΩ 1/10W J	1	
	R754	RK73GB2A153J	MG RESISTOR	15kΩ 1/10W J	1	
	R755	RK73HB1J330J	MG RESISTOR	33Ω 1/16W J	1	
	R756	RK73HB1J330J	MG RESISTOR	33Ω 1/16W J	1	
	R757	RK73GB2A153J	MG RESISTOR	15kΩ 1/10W J	1	
	R758	RK73HB1J102J	MG RESISTOR	1kΩ 1/16W J	1	
	R759	RK73GB2A153J	MG RESISTOR	15kΩ 1/10W J	1	
	R760	RK73HB1J333J	MG RESISTOR	33kΩ 1/16W J	1	K2,K1
	R761	RK73GB2A153J	MG RESISTOR	15kΩ 1/10W J	1	K2,K1
	R761	RK73GB2A473J	MG RESISTOR	47kΩ 1/10W J	1	K0
	R763	RK73GB2A000J	MG RESISTOR	0Ω 1/10W J	1	
	R764	RK73GB2A472J	MG RESISTOR	4.7kΩ 1/10W J	1	
	R766	RK73GB2A472J	MG RESISTOR	4.7kΩ 1/10W J	1	
	R767	RK73EB2E473J	MG RESISTOR	47kΩ 1/4W J	1	
	R769	RK73GB2A473J	MG RESISTOR	47kΩ 1/10W J	1	
	R770	RK73HB1J101J	MG RESISTOR	100Ω 1/16W J	1	
	R771	RK73HB1J101J	MG RESISTOR	100Ω 1/16W J	1	
	R772	RK73GB2A101J	MG RESISTOR	100Ω 1/10W J	1	
	R773	RK73GB2A473J	MG RESISTOR	47kΩ 1/10W J	1	
	R774	RK73HB1J000J	MG RESISTOR	0Ω 1/16W J	1	
	R775	RK73HB1J000J	MG RESISTOR	0Ω 1/16W J	1	
	R776	RK73EB2E162J	MG RESISTOR	1.6kΩ 1/4W J	1	
	R777	RK73GB2A271J	MG RESISTOR	270Ω 1/10W J	1	
	R778	RK73GB2A271J	MG RESISTOR	270Ω 1/10W J	1	
	R779	RK73GB2A473J	MG RESISTOR	47kΩ 1/10W J	1	
	R780	RK73GB2A473J	MG RESISTOR	47kΩ 1/10W J	1	
	R781	RK73GB2A331J	MG RESISTOR	330Ω 1/10W J	1	
	R782	RK73GB2A000J	MG RESISTOR	0Ω 1/10W J	1	
	R783	RK73EB2E104J	MG RESISTOR	100kΩ 1/4W J	1	
	R784	RK73GB2A103J	MG RESISTOR	10kΩ 1/10W J	1	
	R785	RK73GB2A473J	MG RESISTOR	47kΩ 1/10W J	1	
	R787	RK73HB1J473J	MG RESISTOR	47kΩ 1/16W J	1	
	R788	RK73HB1J101J	MG RESISTOR	100Ω 1/16W J	1	
	R789	RK73HB1J222J	MG RESISTOR	2.2kΩ 1/16W J	1	
	R791	RK73GB2A472J	MG RESISTOR	4.7kΩ 1/10W J	1	

MODEL	MARK	MODEL	MARK	MODEL	MARK
KDC-BT710HD	K2	KDC-BT758HD	K1	KDC-X798	K0

Safe	Symbol No.	Parts No.	Parts Name	Description	QTY	Local
	R793	RK73GB2A472J	MG RESISTOR	4.7kΩ 1/10W J	1	
	R795	RK73GB2A472J	MG RESISTOR	4.7kΩ 1/10W J	1	
	R796	RK73GB2A000J	MG RESISTOR	0Ω 1/10W J	1	
	R797	RK73HB1J101J	MG RESISTOR	100Ω 1/16W J	1	
	R798	RK73HB1J101J	MG RESISTOR	100Ω 1/16W J	1	
	R799	RK73HB1J473J	MG RESISTOR	47kΩ 1/16W J	1	
	R800	RK73GB2A000J	MG RESISTOR	0Ω 1/10W J	1	
	R801	RK73GB2A100J	MG RESISTOR	10Ω 1/10W J	1	
	R802	RK73GB2A100J	MG RESISTOR	10Ω 1/10W J	1	
	R803	RK73GB2A100J	MG RESISTOR	10Ω 1/10W J	1	
	R804	RK73FB2B101J	MG RESISTOR	100Ω 1/8W J	1	
	R805	RK73FB2B101J	MG RESISTOR	100Ω 1/8W J	1	
	R806	RK73FB2B101J	MG RESISTOR	100Ω 1/8W J	1	
	R807	RK73GB2A104J	MG RESISTOR	100kΩ 1/10W J	1	
	R808	RK73GB2A104J	MG RESISTOR	100kΩ 1/10W J	1	
	R810	RK73GB2A104J	MG RESISTOR	100kΩ 1/10W J	1	
	R821	RK73GB2A473J	MG RESISTOR	47kΩ 1/10W J	1	
	R827	RK73GB2A473J	MG RESISTOR	47kΩ 1/10W J	1	
	R828	RK73HB1J473J	MG RESISTOR	47kΩ 1/16W J	1	
	R829	RK73GB2A562J	MG RESISTOR	5.6kΩ 1/10W J	1	
	R831	RK73EB2E821J	MG RESISTOR	820Ω 1/4W J	1	
	R832	RK73GH2A913D	MG RESISTOR	91kΩ 1/10W D	1	
	R833	RK73HH1J243D	MG RESISTOR	24kΩ 1/16W D	1	
	R834	RK73HH1J224D	MG RESISTOR	220kΩ 1/16W D	1	
	R835	RK73HB1J103J	MG RESISTOR	10kΩ 1/16W J	1	
	R836	RK73GB2A303J	MG RESISTOR	30kΩ 1/10W J	1	
	R837	RK73HB1J223J	MG RESISTOR	22kΩ 1/16W J	1	
	R838	RK73HB1J200J	MG RESISTOR	20Ω 1/16W J	1	
	R839	NRZ0133-R030X	MG RESISTOR	0.03Ω	1	
	R840	RK73GB2A911J	MG RESISTOR	910Ω 1/10W J	1	
	R841	RK73GB2A473J	MG RESISTOR	47kΩ 1/10W J	1	
	R842	RK73HB1J303J	MG RESISTOR	30kΩ 1/16W J	1	
	R843	RK73GB2A473J	MG RESISTOR	47kΩ 1/10W J	1	
	R845	RK73HB1J390J	MG RESISTOR	39Ω 1/16W J	1	
	R870	RK73GB2A471J	MG RESISTOR	470Ω 1/10W J	1	
	R872	RK73GB2A391J	MG RESISTOR	390Ω 1/10W J	1	
	R873	RK73GB2A471J	MG RESISTOR	470Ω 1/10W J	1	
	R874	RK73GB2A471J	MG RESISTOR	470Ω 1/10W J	1	
	R883	RK73GB2A101J	MG RESISTOR	100Ω 1/10W J	1	
	R885	RK73EB2E473J	MG RESISTOR	47kΩ 1/4W J	1	
	R888	RK73GB2A473J	MG RESISTOR	47kΩ 1/10W J	1	
	R889	RK73GB2A473J	MG RESISTOR	47kΩ 1/10W J	1	
	R891	RK73GB2A103J	MG RESISTOR	10kΩ 1/10W J	1	
	R892	RK73GB2A683J	MG RESISTOR	68kΩ 1/10W J	1	
	R893	RK73GB2A123J	MG RESISTOR	12kΩ 1/10W J	1	
	R894	RK73GB2A000J	MG RESISTOR	0Ω 1/10W J	1	
	R897	RK73HB1J101J	MG RESISTOR	100Ω 1/16W J	1	
	R898	RK73GB2A225J	MG RESISTOR	2.2MΩ 1/10W J	1	
	R900	RK73GB2A000J	MG RESISTOR	0Ω 1/10W J	1	
	R901	RK73GB2A333J	MG RESISTOR	33kΩ 1/10W J	1	
	R902	RK73GB2A472J	MG RESISTOR	4.7kΩ 1/10W J	1	
	R903	RK73GB2A273J	MG RESISTOR	27kΩ 1/10W J	1	
	R904	RK73GB2A472J	MG RESISTOR	4.7kΩ 1/10W J	1	
	R904	RK73GB2A332J	MG RESISTOR	3.3kΩ 1/10W J	1	K2,K1 K0
	R905	RK73GB2A151J	MG RESISTOR	150Ω 1/10W J	1	
	R906	RK73GB2A103J	MG RESISTOR	10kΩ 1/10W J	1	
	R911	RK73EB2E472J	MG RESISTOR	4.7kΩ 1/4W J	1	
	R913	RK73GH2A100D	MG RESISTOR	10Ω 1/10W D	1	
	R914	RK73GB2A102J	MG RESISTOR	1kΩ 1/10W J	1	
	R915	RK73GB2A000J	MG RESISTOR	0Ω 1/10W J	1	
	R931	RK73EB2E122J	MG RESISTOR	1.2kΩ 1/4W J	1	
	R932	RK73GH2A104D	MG RESISTOR	100kΩ 1/10W D	1	
	R933	RK73HH1J203D	MG RESISTOR	20kΩ 1/16W D	1	
	R935	RK73HB1J103J	MG RESISTOR	10kΩ 1/16W J	1	
	R936	RK73GB2A103J	MG RESISTOR	10kΩ 1/10W J	1	
	R937	RK73HB1J153J	MG RESISTOR	15kΩ 1/16W J	1	
	R938	RK73HB1J200J	MG RESISTOR	20Ω 1/16W J	1	
	R939	NRZ0133-R030X	MG RESISTOR	0.03Ω	1	
	R940	RK73EB2E332J	MG RESISTOR	3.3kΩ 1/4W J	1	
	R941	RK73HB1J103J	MG RESISTOR	10kΩ 1/16W J	1	
	R942	RK73HB1J103J	MG RESISTOR	10kΩ 1/16W J	1	
	R943	RK73HB1J103J	MG RESISTOR	10kΩ 1/16W J	1	
	R945	RK73HB1J390J	MG RESISTOR	39Ω 1/16W J	1	
	R949	RK73GB2A101J	MG RESISTOR	100Ω 1/10W J	1	
	R953	RK73EB2E000J	MG RESISTOR	0Ω 1/4W J	1	
	R954	RK73GB2A223J	MG RESISTOR	22kΩ 1/10W J	1	
	R955	RK73GB2A102J	MG RESISTOR	1kΩ 1/10W J	1	
	R956	RK73GB2A103J	MG RESISTOR	10kΩ 1/10W J	1	
	R957	NRZ0084-0R0X	MG RESISTOR	0Ω	1	
	R958	NRZ0084-0R0X	MG RESISTOR	0Ω	1	
	R964	RK73GB2A000J	MG RESISTOR	0Ω 1/10W J	1	
	R965	RK73FB2B000J	MG RESISTOR	0Ω 1/8W J	1	
	R966	RK73GH2A100D	MG RESISTOR	10Ω 1/10W D	1	
	R968	RK73GB2A103J	MG RESISTOR	10kΩ 1/10W J	1	K0
	R969	RK73GB2A563J	MG RESISTOR	56kΩ 1/10W J	1	
	R970	RK73FB2B683J	MG RESISTOR	68kΩ 1/8W J	1	
	R971	RK73FB2B473J	MG RESISTOR	47kΩ 1/8W J	1	
	R972	RK73GB2A473J	MG RESISTOR	47kΩ 1/10W J	1	
	R973	RK73GB2A333J	MG RESISTOR	33kΩ 1/10W J	1	
	R974	RK73GB2A223J	MG RESISTOR	22kΩ 1/10W J	1	
	R975	RK73GB2A333J	MG RESISTOR	33kΩ 1/10W J	1	
	R976	RK73GB2A473J	MG RESISTOR	47kΩ 1/10W J	1	
	R977	RK73GB2A223J	MG RESISTOR	22kΩ 1/10W J	1	

MODEL	MARK	MODEL	MARK	MODEL	MARK
KDC-BT710HD	K2	KDC-BT758HD	K1	KDC-X798	K0

Safe	Symbol No.	Parts No.	Parts Name	Description	QTY	Local
	R978	RK73EB2E473J	MG RESISTOR	47kΩ 1/4W J	1	
	R979	RK73EB2E682J	MG RESISTOR	6.8kΩ 1/4W J	1	
	R980	RK73EB2E682J	MG RESISTOR	6.8kΩ 1/4W J	1	
	R981	RK73FB2B000J	MG RESISTOR	0Ω 1/8W J	1	
	R982	RK73FB2B000J	MG RESISTOR	0Ω 1/8W J	1	
	R984	RK73FB2B000J	MG RESISTOR	0Ω 1/8W J	1	
	R986	RK73GB2A000J	MG RESISTOR	0Ω 1/10W J	1	
	R987	RK73GB2A000J	MG RESISTOR	0Ω 1/10W J	1	
	R988	RK73EB2E103J	MG RESISTOR	10kΩ 1/4W J	1	
	R989	RK73FB2B000J	MG RESISTOR	0Ω 1/8W J	1	
	R990	RK73EB2E000J	MG RESISTOR	0Ω 1/4W J	1	
	R991	RK73FB2B000J	MG RESISTOR	0Ω 1/8W J	1	
	R992	RK73EB2E000J	MG RESISTOR	0Ω 1/4W J	1	
	R994	RK73EB2E000J	MG RESISTOR	0Ω 1/4W J	1	
	R995	RK73EB2E000J	MG RESISTOR	0Ω 1/4W J	1	
	R996	RK73FB2B000J	MG RESISTOR	0Ω 1/8W J	1	
	R997	RK73EB2E100J	MG RESISTOR	10Ω 1/4W J	1	
	R998	RK73FB2B000J	MG RESISTOR	0Ω 1/8W J	1	
	R999	RK73EB2E000J	MG RESISTOR	0Ω 1/4W J	1	
	L1	NQL79GM-100X	COIL	10uH M	1	
	L3	NQR0499-001X	FERRITE BEADS		1	
	L4	NQR0499-001X	FERRITE BEADS		1	
	L85	NQR0154-008X	FERRITE CORE		1	
	L87	NQR0022-005X	FERRITE BEADS		1	
	L88	NQR0154-006X	FERRITE CORE		1	
	L89	NQR0154-006X	FERRITE CORE		1	
	L90	NQR0154-006X	FERRITE CORE		1	
	L91	NQL79GM-470X	COIL	47uH M	1	
	L92	NQR0022-005X	FERRITE BEADS		1	
	L93	NQR0022-005X	FERRITE BEADS		1	
	L94	NQR0154-006X	FERRITE CORE		1	
	L95	NQR0154-006X	FERRITE CORE		1	
	L96	NQR0022-005X	FERRITE BEADS		1	
	L97	NQR0022-005X	FERRITE BEADS		1	
	L98	NQR0154-006X	FERRITE CORE		1	
	L99	NQR0154-006X	FERRITE CORE		1	
	L161	NQL553J-27NX	COIL	27nH J	1	
	L401	NQR0286-007X	FERRITE BEADS		1	
	L402	NQR0286-010X	FERRITE BEADS		1	
	L426	NQR0154-003X	FERRITE CORE		1	
	L700	NQR0022-005X	FERRITE BEADS		1	K0
	L701	NQR0022-005X	FERRITE BEADS		1	
	L702	NQR0022-005X	FERRITE BEADS		1	
	L703	NQR0022-005X	FERRITE BEADS		1	
	L704	NQR0022-005X	FERRITE BEADS		1	
	L705	NQR0022-005X	FERRITE BEADS		1	
	L706	NQR0022-005X	FERRITE BEADS		1	
	L707	NQR0022-005X	FERRITE BEADS		1	
	L708	NQR0269-017X	FERRITE BEADS		1	
	L709	NQR0022-005X	FERRITE BEADS		1	
	L710	NQR0269-030X	FERRITE BEADS		1	
	L711	NQR0022-005X	FERRITE BEADS		1	
	L712	NQR0154-006X	FERRITE CORE		1	
	L713	NQR0154-006X	FERRITE CORE		1	
	L714	NQR0154-006X	FERRITE CORE		1	
	L715	NQR0154-006X	FERRITE CORE		1	
	L716	NQR0154-006X	FERRITE CORE		1	
	L717	NQR0286-007X	FERRITE BEADS		1	
	L719	NQR0286-007X	FERRITE BEADS		1	
	L720	NQR0286-007X	FERRITE BEADS		1	
	L721	NQR0286-007X	FERRITE BEADS		1	
	L722	NQR0286-007X	FERRITE BEADS		1	
	L723	NQR0286-007X	FERRITE BEADS		1	
	L724	NQR0286-007X	FERRITE BEADS		1	
	L725	NQR0286-010X	FERRITE BEADS		1	
	L726	NQR0154-006X	FERRITE CORE		1	
	L743	NQR0022-005X	FERRITE BEADS		1	
	L744	NQR0022-005X	FERRITE BEADS		1	
	L745	NQR0022-005X	FERRITE BEADS		1	
	L780	NQR0022-005X	FERRITE BEADS		1	
	L831	NQLN9EM-100X	COIL	10uH M	1	
	L841	NQR0022-005X	FERRITE BEADS		1	
	L900	NQR0022-005X	FERRITE BEADS		1	
	L901	QQR1909-001	CHOKO COIL		1	
	L930	NQR0154-006X	FERRITE CORE		1	
	L931	NQLL6EM-100X	COIL	10uH M	1	
	L932	NQLN9EM-100X	COIL	10uH M	1	
	L934	NQR0154-006X	FERRITE CORE		1	
	L935	NQR0154-006X	FERRITE CORE		1	
	L941	NQL79GM-4R7X	COIL	4.7uH M	1	
	L993	NQL79GM-101X	COIL	100uH M	1	
	L994	NQL79GM-100X	COIL	10uH M	1	
	CN90	QGA2001F1-02	CONNECTOR	W-B (1-2)	1	
	CN472	QGA2001C1-05	CONNECTOR	W-B (1-5)	1	K0
	CN501	QGF1040F1-26	CONNECTOR	FFC/FPC (1-26)	1	
	CN701	QGZ1102J1-20	CONNECTOR	(1-20)	1	
△	CN901	QNZ0607-001	CAR CONNECTOR		1	
	J2	QNB0358-001	ANT TERMINAL		1	
	J321	QNN0866-001	PIN JACK		1	
	J801	QNZ0907-001	CIR CONNECTOR		1	
	LF472	NQR0536-001X	CHOKO COIL		1	K0
	S701	QSW0648-001Z	TACT SWITCH		1	

MODEL	MARK	MODEL	MARK	MODEL	MARK
KDC-BT710HD	K2	KDC-BT758HD	K1	KDC-X798	K0

Safe	Symbol No.	Parts No.	Parts Name	Description	QTY	Local
	X701	NAX1251-001X	CRYSTAL		1	
	SWITCH UNIT (X16-7550-10) <X16>					
	IC601	PCA9633DP1-X	IC		1	
	IC661	PT6530-LQ	IC		1	
	IC681	PIC95603-X	IR DETECT UNIT		1	
	Q611	LSCR523UB-X	TRANSISTOR		1	
	Q641	LTA014EUB-X	DIGI TRANSISTOR		1	
	Q642	LTC014EUB-X	DIGI TRANSISTOR		1	
	Q661	LSCR523UB-X	TRANSISTOR		1	
	Q662	LSCR523UB-X	TRANSISTOR		1	
	Q663	LSCR523EB-X	TRANSISTOR		1	
	Q664	LSCR523UB-X	TRANSISTOR		1	
	D611	MBRX130-TP-X	SB DIODE		1	
	D612	DZ2J056/M/-X	Z DIODE		1	
	D631	DZ2J051/M/-X	Z DIODE		1	
	D632	DZ2J051/M/-X	Z DIODE		1	
	D660	SML-D12V8W-X	LED		1	
	D661	SML-310VT-X	LED		1	
	D662	LRTBGFTG/Z1Z1X	LED		1	
	D663	LRTBGFTG/Z1Z1X	LED		1	
	D664	LRTBGFTG/Z1Z1X	LED		1	
	D665	LRTBGFTG/Z1Z1X	LED		1	
	D666	LRTBGFTG/Z1Z1X	LED		1	
	D669	LRTBGFTG/Z1Z1X	LED		1	
	C602	NCB31CK-105X	C CAPACITOR	1uF 16V K	1	
	C614	CK73GBB1H102K	C CAPACITOR	1000pF 50V K	1	
	C615	NCB31CK-105X	C CAPACITOR	1uF 16V K	1	
	C616	NCB31CK-105X	C CAPACITOR	1uF 16V K	1	
	C617	NCB31HK-104X	C CAPACITOR	0.1uF 50V K	1	
	C618	NCB31HK-104X	C CAPACITOR	0.1uF 50V K	1	
	C619	NCB31HK-104X	C CAPACITOR	0.1uF 50V K	1	
	C620	NCB31HK-104X	C CAPACITOR	0.1uF 50V K	1	
	C632	CC73GCH1H270J	C CAPACITOR	27pF 50V J	1	
	C633	CC73GCH1H270J	C CAPACITOR	27pF 50V J	1	
	C634	CK73EXR1E106K	C CAPACITOR	10uF 25V K	1	
	C635	CK73GBB1H471K	C CAPACITOR	470pF 50V K	1	
	C636	CK73GBB1H472K	C CAPACITOR	4700pF 50V K	1	
	C638	CK73GBB1H472K	C CAPACITOR	4700pF 50V K	1	
	C639	CK73GBB1H472K	C CAPACITOR	4700pF 50V K	1	
	C641	NCB31AK-105X	C CAPACITOR	1uF 10V K	1	
	C691	CK73EXR1E106K	C CAPACITOR	10uF 25V K	1	
	R601	RK73GB2A101J	MG RESISTOR	100Ω 1/10W J	1	
	R602	RK73GB2A101J	MG RESISTOR	100Ω 1/10W J	1	
	R612	RK73FB2B331J	MG RESISTOR	330Ω 1/8W J	1	
	R613	RK73GB2A102J	MG RESISTOR	1kΩ 1/10W J	1	
	R621	RK73GB2A101J	MG RESISTOR	100Ω 1/10W J	1	
	R622	RK73GB2A101J	MG RESISTOR	100Ω 1/10W J	1	
	R623	RK73GB2A101J	MG RESISTOR	100Ω 1/10W J	1	
	R624	RK73GB2A101J	MG RESISTOR	100Ω 1/10W J	1	
	R625	RK73GB2A101J	MG RESISTOR	100Ω 1/10W J	1	
	R626	RK73GB2A393J	MG RESISTOR	39kΩ 1/10W J	1	
	R627	RK73GB2A472J	MG RESISTOR	4.7kΩ 1/10W J	1	
	R628	RK73GB2A472J	MG RESISTOR	4.7kΩ 1/10W J	1	
	R629	RK73GB2A472J	MG RESISTOR	4.7kΩ 1/10W J	1	
	R630	RK73FB2B100J	MG RESISTOR	10Ω 1/8W J	1	
	R631	RK73FB2B100J	MG RESISTOR	10Ω 1/8W J	1	
	R632	RK73EB2E103J	MG RESISTOR	10kΩ 1/4W J	1	
	R633	RK73GB2A101J	MG RESISTOR	100Ω 1/10W J	1	
	R634	RK73FB2B4R7J	MG RESISTOR	4.7Ω 1/8W J	1	
	R637	RK73GB2A000J	MG RESISTOR	0Ω 1/10W J	1	
	R641	RK73GB2A333J	MG RESISTOR	33kΩ 1/10W J	1	
	R659	RK73GB2A122J	MG RESISTOR	1.2kΩ 1/10W J	1	
	R660	RK73GB2A152J	MG RESISTOR	1.5kΩ 1/10W J	1	
	R661	RK73EB2E751J	MG RESISTOR	750Ω 1/4W J	1	
	R663	RK73FB2B471J	MG RESISTOR	470Ω 1/8W J	1	
	R665	RK73FB2B471J	MG RESISTOR	470Ω 1/8W J	1	
	R667	RK73FB2B751J	MG RESISTOR	750Ω 1/8W J	1	
	R669	RK73FB2B471J	MG RESISTOR	470Ω 1/8W J	1	
	R671	RK73FB2B471J	MG RESISTOR	470Ω 1/8W J	1	
	R673	RK73FB2B751J	MG RESISTOR	750Ω 1/8W J	1	
	R675	RK73FB2B821J	MG RESISTOR	820Ω 1/8W J	1	
	R677	RK73FB2B821J	MG RESISTOR	820Ω 1/8W J	1	
	R679	RK73FB2B102J	MG RESISTOR	1kΩ 1/8W J	1	
	R681	RK73FB2B561J	MG RESISTOR	560Ω 1/8W J	1	
	R683	RK73FB2B561J	MG RESISTOR	560Ω 1/8W J	1	
	R685	RK73FB2B751J	MG RESISTOR	750Ω 1/8W J	1	
	R686	RK73GB2A102J	MG RESISTOR	1kΩ 1/10W J	1	
	R687	RK73GB2A102J	MG RESISTOR	1kΩ 1/10W J	1	
	R688	RK73GB2A102J	MG RESISTOR	1kΩ 1/10W J	1	
	R689	RK73GB2A102J	MG RESISTOR	1kΩ 1/10W J	1	
	R690	RK73EB2E000J	MG RESISTOR	0Ω 1/4W J	1	
	R696	RK73GB2A000J	MG RESISTOR	0Ω 1/10W J	1	
	R697	RK73GB2A000J	MG RESISTOR	0Ω 1/10W J	1	
	R698	RK73GB2A000J	MG RESISTOR	0Ω 1/10W J	1	
	R699	RK73GB2A000J	MG RESISTOR	0Ω 1/10W J	1	
	RA601	RK74GB1J101J	NET RESISTOR	100Ω 1/16W J	1	
	RA602	RK74GB1J101J	NET RESISTOR	100Ω 1/16W J	1	
	L601	NQR0022-005X	FERRITE BEADS		1	
	CN601	QGZ1102K3-20X	CONNECTOR	(1-20)	1	
	CN603	QNZ1076-001	USB CONNECTOR		1	
	EN601	QSW1288-001	ROTARY ENCODER		1	
	J602	QNS0323-001	3.5 JACK		1	

MODEL	MARK	MODEL	MARK	MODEL	MARK
KDC-BT710HD	K2	KDC-BT758HD	K1	KDC-X798	K0

Safe	Symbol No.	Parts No.	Parts Name	Description	QTY	Local
	LF691	NQR0704-001X	CHOKE COIL		1	
	S601	NSW0246-001X	TACT SWITCH		1	
	S602	NSW0246-001X	TACT SWITCH		1	
	S603	NSW0246-001X	TACT SWITCH		1	
	S604	NSW0246-001X	TACT SWITCH		1	
	S605	NSW0246-001X	TACT SWITCH		1	
	S606	NSW0246-001X	TACT SWITCH		1	
	S607	NSW0246-001X	TACT SWITCH		1	
	S608	NSW0246-001X	TACT SWITCH		1	
	S609	NSW0246-001X	TACT SWITCH		1	
	S610	NSW0246-001X	TACT SWITCH		1	
	S611	NSW0246-001X	TACT SWITCH		1	
	S612	NSW0246-001X	TACT SWITCH		1	
	S613	NSW0246-001X	TACT SWITCH		1	
	S614	NSW0246-001X	TACT SWITCH		1	
	S615	NSW0246-001X	TACT SWITCH		1	
BLUETOOTH UNIT (X17-2220-12) <X17>						
	IC2	AK4387ET	ANALOG IC		1	
	IC3	BU18TD3WG	MOS IC		1	
	IC4	BA4560RFV	MOS IC		1	
	IC5	TCC860000XEAU	MPU IC		1	
	IC6	AL016J70TF5F6	ROM IC		1	
	IC7	EM638165TSD6IG	DRAM IC		1	
	C1	CC73HCH1H331J	C CAPACITOR	330pF 50V J	1	
	C2	CK73GB1A105K	C CAPACITOR	1uF 10V K	1	
	C5	CK73HB1H102K	C CAPACITOR	1000pF 50V K	1	
	C6	CK73HB0J105K	C CAPACITOR	1uF 6.3V K	1	
	C7	CK73HB0J105K	C CAPACITOR	1uF 6.3V K	1	
	C8	CK73GB0J475K	C CAPACITOR	4.7uF 6.3V K	1	
	C9	CK73HB1H471K	C CAPACITOR	470pF 50V K	1	
	C10	CK73HB1H471K	C CAPACITOR	470pF 50V K	1	
	C11	CC73HCH1H220J	C CAPACITOR	22pF 50V J	1	
	C12	CK73GB1A105K	C CAPACITOR	1uF 10V K	1	
	C13	CK73HB1A104K	C CAPACITOR	0.1uF 10V K	1	
	C14	CK73HB1A104K	C CAPACITOR	0.1uF 10V K	1	
	C16	CK73HB1C333K	C CAPACITOR	0.033uF 16V K	1	
	C17	CK73GB0J475K	C CAPACITOR	4.7uF 6.3V K	1	
	C18	CK73FB0J106K	C CAPACITOR	10uF 6.3V K	1	
	C19	CK73FB0J106K	C CAPACITOR	10uF 6.3V K	1	
	C20	CK73HB1H152K	C CAPACITOR	1500pF 50V K	1	
	C21	CK73HB1C333K	C CAPACITOR	0.033uF 16V K	1	
	C22	CK73HB1H152K	C CAPACITOR	1500pF 50V K	1	
	C23	CK73HB1A104K	C CAPACITOR	0.1uF 10V K	1	
	C24	CK73HB1A104K	C CAPACITOR	0.1uF 10V K	1	
	C25	CK73HB1A104K	C CAPACITOR	0.1uF 10V K	1	
	C26	CK73HB1H122K	C CAPACITOR	1200pF 50V K	1	
	C27	CC73HCH1H180J	C CAPACITOR	18pF 50V J	1	
	C28	CC73HCH1H331J	C CAPACITOR	330pF 50V J	1	
	C29	CK73HB1A104K	C CAPACITOR	0.1uF 10V K	1	
	C30	CK73HB1A104K	C CAPACITOR	0.1uF 10V K	1	
	C31	CK73HB1A104K	C CAPACITOR	0.1uF 10V K	1	
	C32	CK73HB1E103K	C CAPACITOR	0.01uF 25V K	1	
	C33	CK73HB0J105K	C CAPACITOR	1uF 6.3V K	1	
	C34	CK73HB1A104K	C CAPACITOR	0.1uF 10V K	1	
	C35	CK73HB1A104K	C CAPACITOR	0.1uF 10V K	1	
	C36	CC73HCH1H100D	C CAPACITOR	10pF 50V D	1	
	C37	CC73HCH1H100D	C CAPACITOR	10pF 50V D	1	
	C38	CK73HB1A104K	C CAPACITOR	0.1uF 10V K	1	
	C39	CK73HB1A104K	C CAPACITOR	0.1uF 10V K	1	
	C40	CK73HB1A104K	C CAPACITOR	0.1uF 10V K	1	
	C41	CK73HB1A104K	C CAPACITOR	0.1uF 10V K	1	
	C42	CK73HB1A104K	C CAPACITOR	0.1uF 10V K	1	
	C43	CK73HB1A104K	C CAPACITOR	0.1uF 10V K	1	
	C44	CK73HB1A104K	C CAPACITOR	0.1uF 10V K	1	
	C45	CK73HB1A104K	C CAPACITOR	0.1uF 10V K	1	
	C46	CK73HB1A104K	C CAPACITOR	0.1uF 10V K	1	
	C47	CK73HB1A104K	C CAPACITOR	0.1uF 10V K	1	
	C48	CK73HB1A104K	C CAPACITOR	0.1uF 10V K	1	
	C49	CK73GB0J475K	C CAPACITOR	4.7uF 6.3V K	1	
	C50	CK73HB1A104K	C CAPACITOR	0.1uF 10V K	1	
	C51	CK73FB0J106K	C CAPACITOR	10uF 6.3V K	1	
	C52	CK73HB1A104K	C CAPACITOR	0.1uF 10V K	1	
	C53	CK73HB1A104K	C CAPACITOR	0.1uF 10V K	1	
	C54	CK73HB1A104K	C CAPACITOR	0.1uF 10V K	1	
	C55	CK73HB1A104K	C CAPACITOR	0.1uF 10V K	1	
	C56	CK73HB1A104K	C CAPACITOR	0.1uF 10V K	1	
	C57	CK73HB1A104K	C CAPACITOR	0.1uF 10V K	1	
	C58	CK73HB1A104K	C CAPACITOR	0.1uF 10V K	1	
	R1	RK73HB1J000J	MG RESISTOR	0Ω 1/16W J	1	
	R2	RK73HB1J000J	MG RESISTOR	0Ω 1/16W J	1	
	R3	RK73HB1J000J	MG RESISTOR	0Ω 1/16W J	1	
	R5	RK73HB1J000J	MG RESISTOR	0Ω 1/16W J	1	
	R6	RK73HB1J103J	MG RESISTOR	10kΩ 1/16W J	1	
	R7	RK73HB1J103J	MG RESISTOR	10kΩ 1/16W J	1	
	R9	RK73HB1J470J	MG RESISTOR	47Ω 1/16W J	1	
	R10	RK73HB1J470J	MG RESISTOR	47Ω 1/16W J	1	
	R11	RK73HB1J470J	MG RESISTOR	47Ω 1/16W J	1	
	R12	RK73HB1J470J	MG RESISTOR	47Ω 1/16W J	1	
	R14	RK73HB1J122J	MG RESISTOR	1.2kΩ 1/16W J	1	
	R15	RK73HB1J122J	MG RESISTOR	1.2kΩ 1/16W J	1	
	R16	RK73HB1J124J	MG RESISTOR	120kΩ 1/16W J	1	
	R17	RK73HB1J124J	MG RESISTOR	120kΩ 1/16W J	1	

MODEL	MARK	MODEL	MARK	MODEL	MARK
KDC-BT710HD	K2	KDC-BT758HD	K1	KDC-X798	K0

Safe	Symbol No.	Parts No.	Parts Name	Description	QTY	Local
R18		RK73HB1J333J	MG RESISTOR	33kΩ 1/16W J	1	
R19		RK73HB1J681J	MG RESISTOR	680Ω 1/16W J	1	
R20		RK73HB1J103J	MG RESISTOR	10kΩ 1/16W J	1	
R21		RK73HB1J822J	MG RESISTOR	8.2kΩ 1/16W J	1	
R22		RK73HB1J681J	MG RESISTOR	680Ω 1/16W J	1	
R23		RK73HB1J103J	MG RESISTOR	10kΩ 1/16W J	1	
R24		RK73HB1J472J	MG RESISTOR	4.7kΩ 1/16W J	1	
R25		RK73HB1J153J	MG RESISTOR	15kΩ 1/16W J	1	
R26		RK73HB1J153J	MG RESISTOR	15kΩ 1/16W J	1	
R27		RK73HB1J472J	MG RESISTOR	4.7kΩ 1/16W J	1	
R28		RK73HB1J472J	MG RESISTOR	4.7kΩ 1/16W J	1	
R29		RK73HB1J472J	MG RESISTOR	4.7kΩ 1/16W J	1	
R32		RK73GB2A000J	MG RESISTOR	0Ω 1/10W J	1	
R33		RK73GB2A4R7J	MG RESISTOR	4.7Ω 1/10W J	1	
R34		RK73HB1J000J	MG RESISTOR	0Ω 1/16W J	1	
R35		RK73HB1J153J	MG RESISTOR	15kΩ 1/16W J	1	
R36		RK73HB1J153J	MG RESISTOR	15kΩ 1/16W J	1	
R37		RK73HB1J220J	MG RESISTOR	22Ω 1/16W J	1	
R38		RK73HB1J220J	MG RESISTOR	22Ω 1/16W J	1	
R39		RK73HB1J220J	MG RESISTOR	22Ω 1/16W J	1	
R40		RK73HB1J220J	MG RESISTOR	22Ω 1/16W J	1	
R41		RK73HB1J470J	MG RESISTOR	47Ω 1/16W J	1	
R42		RK73HB1J223J	MG RESISTOR	22kΩ 1/16W J	1	
R43		RK73HB1J223J	MG RESISTOR	22kΩ 1/16W J	1	
R44		RK73HB1J330J	MG RESISTOR	33Ω 1/16W J	1	
R45		RK73HB1J330J	MG RESISTOR	33Ω 1/16W J	1	
R50		RK73HB1J470J	MG RESISTOR	47Ω 1/16W J	1	
R51		RK73HB1J470J	MG RESISTOR	47Ω 1/16W J	1	
R52		RK73HB1J472J	MG RESISTOR	4.7kΩ 1/16W J	1	
R53		RK73HB1J472J	MG RESISTOR	4.7kΩ 1/16W J	1	
R54		RK73HB1J472J	MG RESISTOR	4.7kΩ 1/16W J	1	
R55		RK73HB1J472J	MG RESISTOR	4.7kΩ 1/16W J	1	
R56		RK73HB1J472J	MG RESISTOR	4.7kΩ 1/16W J	1	
R58		RK73HB1J470J	MG RESISTOR	47Ω 1/16W J	1	
R59		RK73HB1J470J	MG RESISTOR	47Ω 1/16W J	1	
R60		RK73HB1J470J	MG RESISTOR	47Ω 1/16W J	1	
R61		RK73HB1J223J	MG RESISTOR	22kΩ 1/16W J	1	
R62		RK73HB1J102J	MG RESISTOR	1kΩ 1/16W J	1	
R63		RK73HB1J102J	MG RESISTOR	1kΩ 1/16W J	1	
R64		RK73HB1J105J	MG RESISTOR	1MΩ 1/16W J	1	
R65		RK73HB1J332J	MG RESISTOR	3.3kΩ 1/16W J	1	
R66		RK73HB1J472J	MG RESISTOR	4.7kΩ 1/16W J	1	
R67		RK73HB1J470J	MG RESISTOR	47Ω 1/16W J	1	
R68		RK73HB1J472J	MG RESISTOR	4.7kΩ 1/16W J	1	
R69		RK73HB1J470J	MG RESISTOR	47Ω 1/16W J	1	
R70		RK73GB2A000J	MG RESISTOR	0Ω 1/10W J	1	
R71		RK73HB1J470J	MG RESISTOR	47Ω 1/16W J	1	
R72		RK73GB2A000J	MG RESISTOR	0Ω 1/10W J	1	
R73		RK73GB2A000J	MG RESISTOR	0Ω 1/10W J	1	
R76		RK73HB1J104J	MG RESISTOR	100kΩ 1/16W J	1	
R77		RK73HB1J000J	MG RESISTOR	0Ω 1/16W J	1	
R78		RK73HB1J102J	MG RESISTOR	1kΩ 1/16W J	1	
R79		RK73HB1J473J	MG RESISTOR	47kΩ 1/16W J	1	
R80		RK73HB1J473J	MG RESISTOR	47kΩ 1/16W J	1	
R81		RK73HB1J470J	MG RESISTOR	47Ω 1/16W J	1	
R82		RK73HB1J472J	MG RESISTOR	4.7kΩ 1/16W J	1	
R83		RK73HB1J470J	MG RESISTOR	47Ω 1/16W J	1	
R88		RK73HB1J000J	MG RESISTOR	0Ω 1/16W J	1	
R89		RK73HB1J104J	MG RESISTOR	100kΩ 1/16W J	1	
R90		RK73HB1J104J	MG RESISTOR	100kΩ 1/16W J	1	
R91		RK73GB2A000J	MG RESISTOR	0Ω 1/10W J	1	
R93		RK73HB1J223J	MG RESISTOR	22kΩ 1/16W J	1	
A1		W02-5568-05	CIRCUIT MODULE		1	
CN1		E41-3376-05	PIN ASSY SOCKET		1	
X1		L77-3873-05	QUARTZ CRYSTAL		1	
CD PLAYER UNIT (X32-6690-00) IN CD MECHA <X32>						
IC1		MN6627553APA	IC		1	
IC2		BD8266EFV-M-X	IC		1	
Q1		2SA2188-T1(E)	TRANSISTOR		1	
C1		CK73HBB1A104K	C CAPACITOR	0.1uF 10V K	1	
C3		CK73HBB1A104K	C CAPACITOR	0.1uF 10V K	1	
C4		CK73HBB1A104K	C CAPACITOR	0.1uF 10V K	1	
C7		CK73GBB1C334K	C CAPACITOR	0.33uF 16V K	1	
C8		CK73HBB1H102K	C CAPACITOR	1000pF 50V K	1	
C9		CK73HBB1C823K	C CAPACITOR	0.082uF 16V K	1	
C10		CK73HBB1H102K	C CAPACITOR	1000pF 50V K	1	
C11		CK73HBB1A104K	C CAPACITOR	0.1uF 10V K	1	
C12		CK73HBB1E153K	C CAPACITOR	0.015uF 25V K	1	
C13		CC73HCH1H681J	C CAPACITOR	680pF 50V J	1	
C14		CK73HBB1A104K	C CAPACITOR	0.1uF 10V K	1	
C15		CK73GB0J475K	C CAPACITOR	4.7uF 6.3V K	1	
C16		CK73HB0J105K	C CAPACITOR	1uF 6.3V K	1	
C17		CK73GBB1C334K	C CAPACITOR	0.33uF 16V K	1	
C18		CK73HBB1H332K	C CAPACITOR	3300pF 50V K	1	
C19		CK73HBB1E223K	C CAPACITOR	0.022uF 25V K	1	
C20		CK73FB0J106K	C CAPACITOR	10uF 6.3V K	1	
C21		CK73GBB1C334K	C CAPACITOR	0.33uF 16V K	1	
C26		CK73FB1C106K	C CAPACITOR	10uF 16V K	1	
C27		CK73HBB1A104K	C CAPACITOR	0.1uF 10V K	1	
C28		CK73HBB1A104K	C CAPACITOR	0.1uF 10V K	1	
C50		CK73HBB1H682K	C CAPACITOR	6800pF 50V K	1	
C51		CK73HBB1H682K	C CAPACITOR	6800pF 50V K	1	

MODEL	MARK	MODEL	MARK	MODEL	MARK	
KDC-BT710HD	K2	KDC-BT758HD	K1	KDC-X798	K0	
Safe	Symbol No.	Parts No.	Parts Name	Description	QTY	Local
	C52	CK73HBB1H103K	C CAPACITOR	0.01uF 50V K	1	
	C53	CK73HBB1H103K	C CAPACITOR	0.01uF 50V K	1	
	C55	CK73HBB1A104K	C CAPACITOR	0.1uF 10V K	1	
	C60	CC73HCH1H821J	C CAPACITOR	820pF 50V J	1	
	C61	CC73HCH1H821J	C CAPACITOR	820pF 50V J	1	
	C62	CK73GB0J106M	C CAPACITOR	10uF 6.3V M	1	
	C72	CK73GBB1C104K	C CAPACITOR	0.1uF 16V K	1	
	C82	CC73HCH1H471J	C CAPACITOR	470pF 50V J	1	
	C83	CC73HCH1H120J	C CAPACITOR	12pF 50V J	1	
	C84	CC73HCH1H120J	C CAPACITOR	12pF 50V J	1	
	C85	CK73HBB1A104K	C CAPACITOR	0.1uF 10V K	1	
	C243	CK73HBB1H682K	C CAPACITOR	6800pF 50V K	1	
	C244	CK73GB1E154K	C CAPACITOR	0.15uF 25V K	1	
	R3	RK73HB1J102J	MG RESISTOR	1kΩ 1/16W J	1	
	R4	RK73HB1J105J	MG RESISTOR	1MΩ 1/16W J	1	
	R7	RK73HB1J272J	MG RESISTOR	2.7kΩ 1/16W J	1	
	R8	RK73HB1J821J	MG RESISTOR	820Ω 1/16W J	1	
	R9	RK73HB1J823J	MG RESISTOR	82kΩ 1/16W J	1	
	R10	RK73FB2B4R7J	MG RESISTOR	4.7Ω 1/8W J	1	
	R11	RK73HB1J472J	MG RESISTOR	4.7kΩ 1/16W J	1	
	R12	RK73HB1J225J	MG RESISTOR	2.2MΩ 1/16W J	1	
	R17	RK73HB1J123J	MG RESISTOR	12kΩ 1/16W J	1	
	R18	RK73HB1J822J	MG RESISTOR	8.2kΩ 1/16W J	1	
	R20	RK73HB1J103J	MG RESISTOR	10kΩ 1/16W J	1	
	R21	RK73HB1J822J	MG RESISTOR	8.2kΩ 1/16W J	1	
	R22	RK73HB1J562J	MG RESISTOR	5.6kΩ 1/16W J	1	
	R23	RK73HB1J183J	MG RESISTOR	18kΩ 1/16W J	1	
	R24	RK73HB1J272J	MG RESISTOR	2.7kΩ 1/16W J	1	
	R25	RK73HB1J562J	MG RESISTOR	5.6kΩ 1/16W J	1	
	R26	RK73HB1J223J	MG RESISTOR	22kΩ 1/16W J	1	
	R27	RK73HB1J562J	MG RESISTOR	5.6kΩ 1/16W J	1	
	R28	RK73HB1J114J	MG RESISTOR	110kΩ 1/16W J	1	
	R29	RK73HB1J101J	MG RESISTOR	100Ω 1/16W J	1	
	R30	RK73HB1J101J	MG RESISTOR	100Ω 1/16W J	1	
	R31	RK73HB1J821J	MG RESISTOR	820Ω 1/16W J	1	
	R32	RK73HB1J821J	MG RESISTOR	820Ω 1/16W J	1	
	R33	RK73HB1J131J	MG RESISTOR	130Ω 1/16W J	1	
	R37	RK73HB1J103J	MG RESISTOR	10kΩ 1/16W J	1	
	R38	RK73HB1J101J	MG RESISTOR	100Ω 1/16W J	1	
	R43	RK73HB1J000J	MG RESISTOR	0Ω 1/16W J	1	
	R44	RK73HB1J101J	MG RESISTOR	100Ω 1/16W J	1	
	R47	RK73HB1J101J	MG RESISTOR	100Ω 1/16W J	1	
	R48	RK73HB1J101J	MG RESISTOR	100Ω 1/16W J	1	
	R49	RK73HB1J101J	MG RESISTOR	100Ω 1/16W J	1	
	R50	RK73HB1J101J	MG RESISTOR	100Ω 1/16W J	1	
	R51	RK73HB1J101J	MG RESISTOR	100Ω 1/16W J	1	
	R267	RK73HB1J222J	MG RESISTOR	2.2kΩ 1/16W J	1	
	R268	RK73HB1J222J	MG RESISTOR	2.2kΩ 1/16W J	1	
	R305	RK73HB1J101J	MG RESISTOR	100Ω 1/16W J	1	
	L1	L92-0378-05	CHIP FERRITE		1	
	L2	L92-0446-05	BEADS CORE		1	
	L3	L92-0446-05	BEADS CORE		1	
	CN1	E41-3430-05	FLAT CABLE CONNECTOR		1	
	CN1	QGF1044F2-26X	CONNECTOR	FFC/FPC (1-26)	1	
	CN2	E41-3488-05	FLAT CABLE CONNECTOR		1	
	S1	S6J-0001-00	PUSH SWITCH		1	
	S2	S6J-0001-00	PUSH SWITCH		1	
	S3	S6J-0002-00	PUSH SWITCH		1	
	X1	NAX1158-001X	CRYSTAL		1	