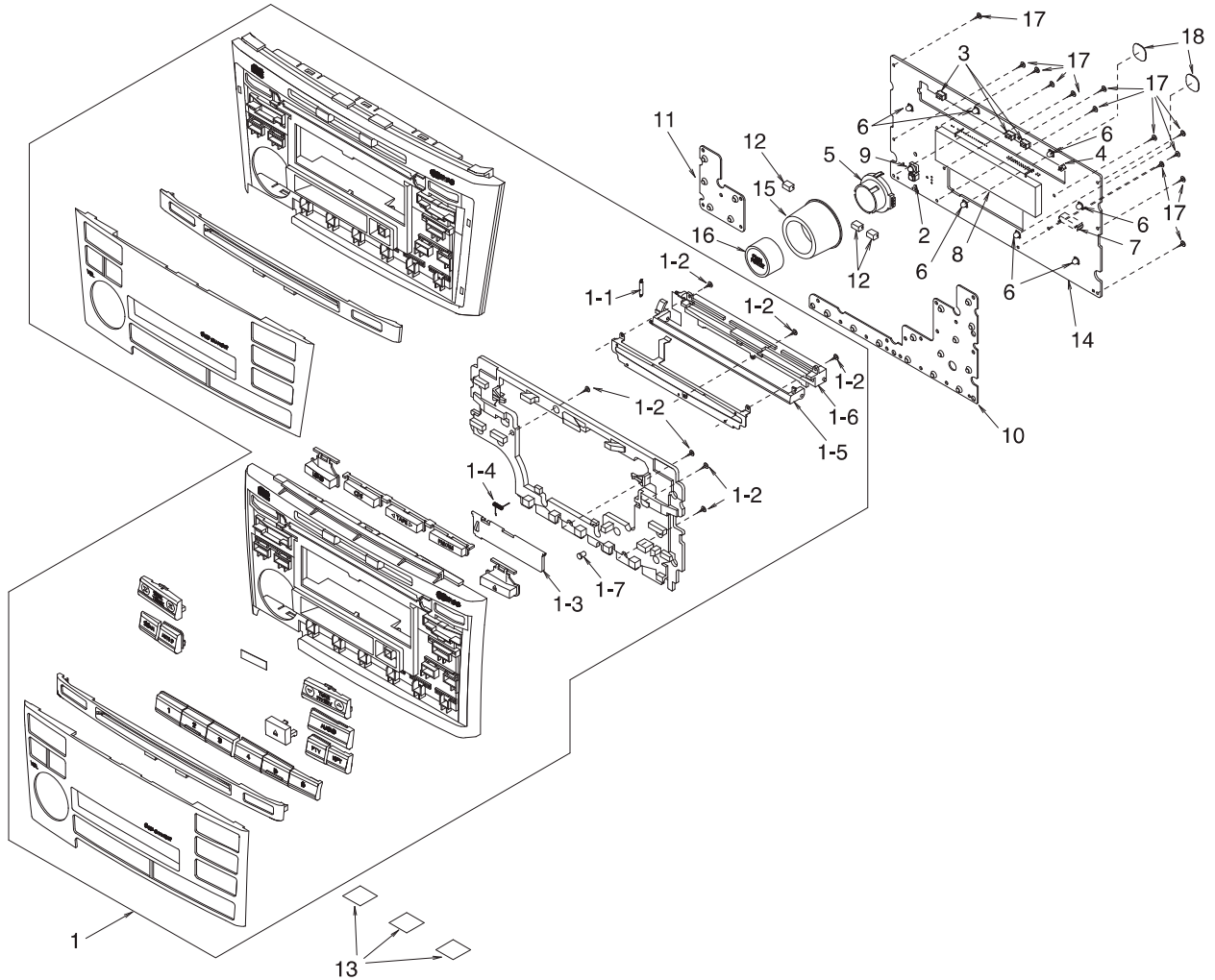


# EXPLODED VIEW / PARTS LIST

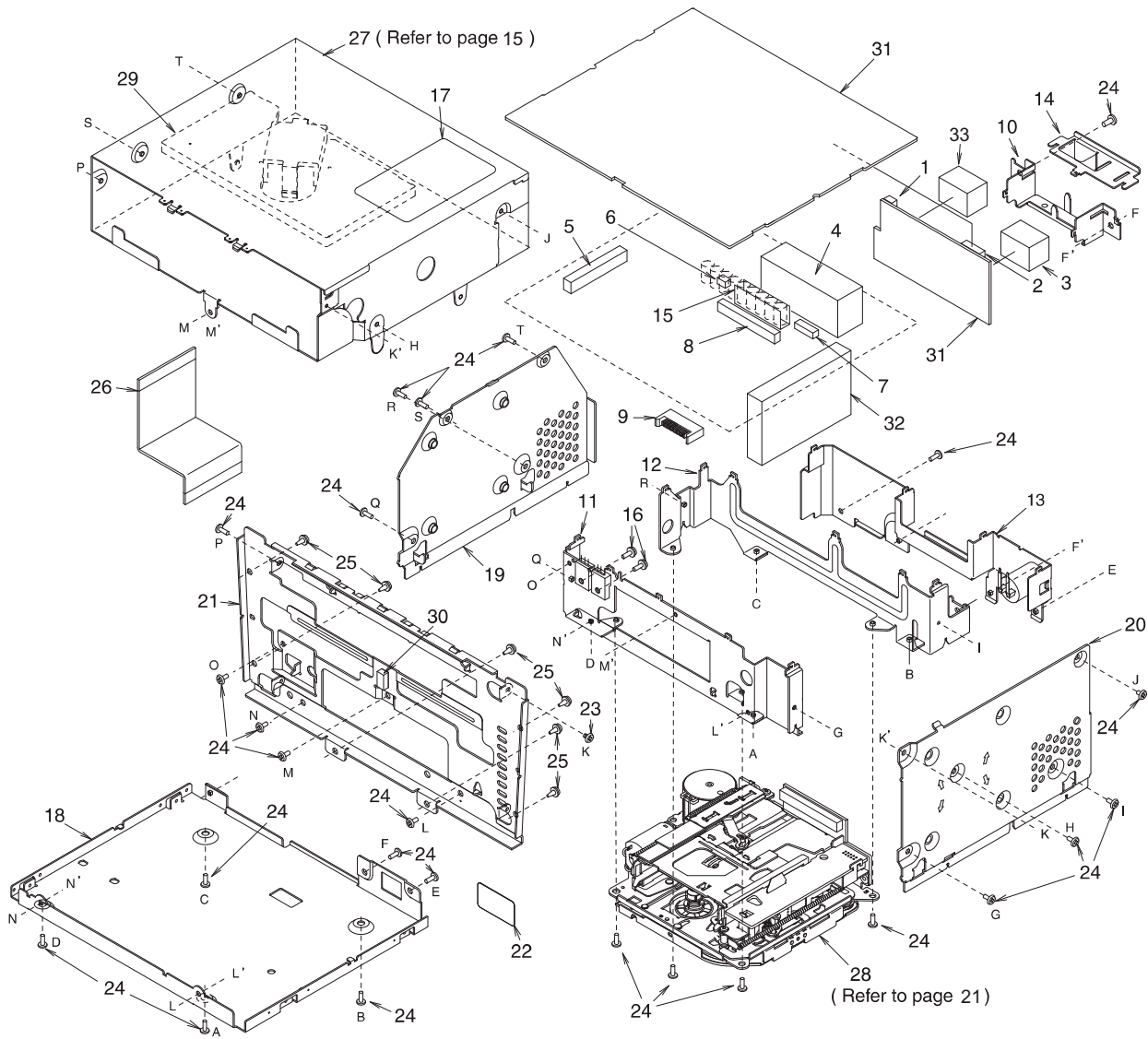
Escutcheon section : PN-2573D



Note)Some parts depend on each model.The model name is specified in the description.

NO.	PART NO.	DESCRIPTION	Q'TY	NO.	PART NO.	DESCRIPTION	Q'TY
1	940-7982-34 940-7982-44 940-7982-54	ESCUTCHEON ASSY(2573D-A) ESCUTCHEON ASSY(2573D-B) ESCUTCHEON ASSY(2573D-C)	1	6	017-0458-00	PILOT LAMP(14V40mA)	7
1-1	750-6708-00	SPRING	1	7	074-1279-16	OUTLET SOCKET	1
1-2	716-0872-00	PAD SCREW(M1.7x5 SILVER)	7	8	379-4038-24	INDICATOR	1
1-3	320-0588-68 320-0588-69 320-0588-70	DUSTPROOF COVER(2573D-A) DUSTPROOF COVER(2573D-B) DUSTPROOF COVER(2573D-C)	1	9	017-0433-52	PILOT LAMP(14V40mA)	1
1-4	750-2626-00	SPRING	1	10	345-8660-00	RUBBER SWITCH(RH)	1
1-5	335-6768-00	DOOR	1	11	345-8661-00	RUBBER SWITCH(LH)	1
1-6	335-6769-00	DOOR BASE	1	12	345-8662-00	RUBBER SPACER	3
1-7	335-6598-00	PIN(2)	1	13	347-5961-00	SILENCER	3
2	013-6201-50	SWITCH	1	14	039-2005-04	DISPLAY PWB (WITHOUT COMPONENT)	1
3	013-6305-50	SWITCH	3	15	380-5528-00	KNOB	1
4	013-7411-50	DETECTOR SWITCH	1	16	382-6586-00	BUTTON(POWER)	1
5	013-8003-00	ROTARY SWITCH	1	17	716-0872-00	PAD SCREW(M1.7x5 SILVER)	13
				18	353-0359-00	SHADE	2

Main section : PN-2573D



Note)Some parts depend on each model.The model name is specified in the description.

NO.	PART NO.	DESCRIPTION	Q'TY	NO.	PART NO.	DESCRIPTION	Q'TY
1	074-0898-06	OUTLET SOCKET	1	18	311-1834-00	LOWER CASE	1
2	074-0898-18	OUTLET SOCKET	1	19	331-3258-00	SIDE CASE(LH)	1
3	074-1087-12	OUTLET SOCKET	1	20	331-3259-01	SIDE CASE(RH)	1
4	074-1141-00	OUTLET SOCKET	1	21	331-3264-02	ESCUTCHEON PLATE	1
5	074-1192-22	OUTLET SOCKET	1	22	347-6623-00	SPACER	1
6	076-0368-06	PLUG	1	23	714-2004-81	MACHINE SCREW(M2x4)	1
7	076-0368-18	PLUG	1	24	714-2605-81	MACHINE SCREW(M2.6x5)	25
8	076-0509-20	PLUG	1	25	716-1553-00	P-TIGHT SCREW(3x8)	6
9	076-0648-16	PLUG	1	26	816-2563-00	FLAT WIRE	1
10	331-2025-11	CONNECTOR HOLDER	1	27	-----	CD CHANGER MODULE 019283-929	1
11	331-3236-01	MECH BRACKET(FRONT)	1	28	930-0794-80	TAPE MECHANISM	1
12	331-3237-01	MECH BRACKET(REAR)	1	29	335-6703-00	LOCK PIN	1
13	331-3239-20	REAR PLATE	1	30	345-4220-10	RUBBER SPACER	1
14	331-3257-02	CONNECTOR HOLDER	1	31	039-2003-03	MAIN PWB (WITHOUT COMPONENT)	1
15	347-6595-00	INSULATOR	1	32	880-1917F	TUNER PACK(FM/AM)	1
16	716-1494-00	IT SCREW (M2.6x6)	2	33	074-1013-30	OUTLET SOCKET(A-12)	1
17	286-8153-59 286-8153-60 286-8153-61	SETPLATE(2573D-A) SETPLATE(2573D-B) SETPLATE(2573D-C)	1				

PN-2573D  
PN-2543N

# ELECTRICAL PARTS LIST

Note) Several different parts of the same reference number are alternative parts.

One of those parts is used in the set.

## Main PWB section(B1)

Some parts depend on each model. The model name is specified in the description.

REF No.	PART No.	DESCRIPTION	REF No.	PART No.	DESCRIPTION	REF No.	PART No.	DESCRIPTION
BL101	880-1917F	FM/AM TUNER(2573)	C146	166-1801-50	18pF CH	C327	168-8212-55	820pF
BL101	880-1917D	FM/AM TUNER(2543)	C147	168-3932-78	16V 0.039uF	C328	168-8212-55	820pF
C101	119-0000-05	1/16W 0 ohm	C148	168-3932-78	16V 0.039uF	C329	168-8212-55	820pF
		JW(2543)	C149	178-1242-78	0.12uF	C330	168-8212-55	820pF
C101	166-1511-50	150pF CH(2573)	C150	178-1242-78	0.12uF	C331	042-0592-58	16V10uF
C102	166-2211-50	220pF CH(2543)	C151	166-1801-50	18pF CH	C332	042-0592-58	16V10uF
C102	166-4701-50	47pF CH(2573)	C152	168-4722-55	4700pF	C333	168-3332-78	16V 0.033uF
C103	166-2211-50	220pF CH(2543)	C153	166-1201-50	12pF CH	C351	178-4742-78	0.47uF
C103	166-4701-50	47pF CH(2573)	C154	168-1032-55	0.01uF	C352	178-4742-78	0.47uF
C104	168-1032-55	0.01uF	C155	166-2201-50	22pF CH	C353	178-4742-78	0.47uF
C105	168-6812-55	680pF	C156	166-2201-50	22pF CH	C354	178-4742-78	0.47uF
C106	168-4732-78	16V 0.047uF	C158	168-1042-78	16V 0.1uF	C401	168-1042-78	16V 0.1uF
C107	168-3332-78	16V 0.033uF	C201	168-2222-55	2200pF(2543)	C402	168-1042-78	16V 0.1uF
C108	183-1053-69	50V1uF	C203	168-2222-55	2200pF(2543)	C403	168-1042-78	16V 0.1uF
C109	168-3922-55	3900pF	C204	042-0592-58	16V10uF(2543)	C404	168-1042-78	16V 0.1uF
C110	168-1032-55	0.01uF	C205	042-0592-58	16V10uF(2543)	C405	042-0505-82	16V10uF
C111	168-1022-55	1000pF	C206	042-0592-58	16V10uF(2543)	C406	168-1042-78	16V 0.1uF
C112	168-1032-55	0.01uF	C207	042-0592-58	16V10uF(2543)	C407	168-1042-78	16V 0.1uF
C113	166-2201-50	22pF CH	C208	166-5096-50	5pF CH	C409	168-2232-55	0.022uF
C114	178-2242-78	0.22uF	C209	166-5096-50	5pF CH	C416	166-1011-50	100pF CH
C115	166-1007-50	10pF CH	C210	166-2201-50	22pF CH	C417	166-1011-50	100pF CH
C116	183-4763-19	6.3V47uF	C211	166-2201-50	22pF CH	C420	163-4763-15	6.3V47uF
C117	168-5612-55	560pF	C212	166-5096-50	5pF CH	C421	168-1042-78	16V 0.1uF
C119	166-4701-50	47pF CH	C213	166-5096-50	5pF CH	C422	168-1022-55	1000pF
C120	183-2253-69	50V2.2uF	C302	178-4742-78	0.47uF	C423	168-1042-78	16V 0.1uF
C121	183-1073-29	10V100uF	C303	178-4742-78	0.47uF	C424	168-1032-55	0.01uF
C122	043-0277-51	0.022uF	C304	042-0592-58	16V10uF	C425	163-4753-55	35V4.7uF
C123	166-5601-50	56pF CH	C305	163-1073-15	6.3V100uF	C426	163-4753-55	35V4.7uF
C124	168-1042-78	16V 0.1uF	C306	042-0592-58	16V10uF	C428	166-1011-50	100pF CH
C125	183-1073-29	10V100uF	C307	042-0592-73	50V1uF	C429	168-1042-78	16V 0.1uF
C126	168-3312-55	330pF	C308	042-0592-73	50V1uF	C430	168-1032-55	0.01uF
C129	168-1042-78	16V 0.1uF	C309	042-0592-73	50V1uF	C432	168-4712-55	470pF
C130	183-1073-29	10V100uF	C310	042-0592-73	50V1uF	C501	168-1042-78	16V 0.1uF
C132	178-1052-78	1uF	C311	042-0592-73	50V1uF	C502	183-1073-29	10V100uF
C133	168-1232-55	0.012uF	C312	042-0592-73	50V1uF	C503	183-1063-39	16V10uF
C134	042-0458-90	50V1uF	C316	042-0592-73	50V1uF	C504	163-1073-35	16V100uF
C135	183-4763-39	16V47uF	C317	042-0592-73	50V1uF	C505	168-1042-78	16V 0.1uF
C136	043-0277-51	0.022uF	C319	042-0592-58	16V10uF	C506	163-1073-35	16V100uF
C138	168-1022-55	1000pF	C320	042-0592-58	16V10uF	C507	163-1073-35	16V100uF
C140	183-4763-39	16V47uF	C321	042-0592-58	16V10uF	C508	163-1073-35	16V100uF
C141	168-2232-55	0.022uF	C322	042-0592-58	16V10uF	C509	042-0423-94	10V 4.7uF
C142	166-1011-50	100pF CH	C323	178-1842-78	0.18uF	C510	168-1042-78	16V 0.1uF
C143	166-1011-50	100pF CH	C324	178-1842-78	0.18uF	C511	183-1063-39	16V10uF
C144	166-1011-50	100pF CH	C325	178-1842-78	0.18uF	C512	163-1073-35	16V100uF
C145	166-1011-50	100pF CH	C326	178-1842-78	0.18uF	C515	183-4763-39	16V47uF

PN-2573D  
PN-2543N

REF No.	PART No.	DESCRIPTION	REF No.	PART No.	DESCRIPTION	REF No.	PART No.	DESCRIPTION
C521	168-1042-78	16V 0.1uF	CCT408	050-0140-54	1/32W 1k ohmx4J	Q102	193-0601-00	2SD601A
C522	184-2273-39	16V220uF	CCT409	050-0140-54	1/32W 1k ohmx4J	Q103	125-2005-91	UN2211
C523	178-2242-78	0.22uF	CCT411	050-0140-54	1/32W 1k ohmx4J	Q104	125-2005-91	UN2211
C601	168-2222-55	2200pF	CCT412	050-0140-54	1/32W 1k ohmx4J	Q105	192-2712-51	2SC2712G,L
C602	168-2222-55	2200pF	CCT413	050-0140-54	1/32W 1k ohmx4J	Q1050	125-2005-91	UN2211(2573)
C603	168-2222-55	2200pF	CCT414	050-0140-54	1/32W 1k ohmx4J	Q106	125-2005-91	UN2211
C604	168-2222-55	2200pF	CCT415	050-0140-54	1/32W 1k ohmx4J	Q107	192-2712-51	2SC2712G,L
C605	168-2222-55	2200pF	CCT416	050-0140-54	1/32W 1k ohmx4J	Q108	125-2005-91	UN2211
C606	168-2222-55	2200pF	CCT417	050-0140-54	1/32W 1k ohmx4J	Q109	190-1298-00	2SA1298
C607	168-2222-55	2200pF	D101	001-3205-90	1SV251	Q110	125-2005-91	UN2211
C608	168-2222-55	2200pF	D102	001-3205-90	1SV251	Q111	190-1298-00	2SA1298
C609	168-2222-55	2200pF	D151	001-0356-91	1SS184(2543)	Q201	125-2005-91	UN2211(2543)
C610	168-2222-55	2200pF	D402	001-0529-44	MA8082-M	Q202	125-9003-92	IMD3(2543)
C611	172-1041-15	0.1uF	D406	001-0535-90	MA729	Q203	125-9003-92	IMD3(2543)
C612	042-0551-02	16V1000uF	D407	001-0516-90	MA111	Q301	125-2005-91	UN2211
C613	183-1053-69	50V1uF	D501	001-0504-49	HZS9 C3L	Q302	125-2005-91	UN2211
C614	172-1041-15	0.1uF	D502	001-0504-48	HZS9C2L	Q401	125-2004-96	RN1406
C615	183-1063-39	16V10uF	D503	001-0466-90	S5688B	Q402	190-1428-00	2SA1428
C620	168-2232-55	0.022uF	D504	001-0466-90	S5688B	Q406	125-2005-91	UN2211
C702	163-1053-65	50V1uF	D521	001-0347-16	MA4036LTA	Q410	125-2005-91	UN2211
C703	168-6822-55	6800pF	D522	001-0347-56	MA4120M	Q412	125-2005-91	UN2211
C704	168-2232-55	0.022uF	D602	001-0529-34	MA8062-L	Q415	125-2005-91	UN2211
C705	042-0592-58	16V10uF	D603	001-0466-90	S5688B	Q416	193-0601-00	2SD601A
C706	042-0592-58	16V10uF	D604	001-0516-90	MA111	Q417	193-0601-00	2SD601A
C707	042-0592-58	16V10uF	D605	001-0466-90	S5688B	Q418	125-0001-91	UN2111
C708	042-0592-58	16V10uF	D606	001-0516-90	MA111	Q501	103-2353-00	2SD2353
C709	168-5612-55	560pF	D607	001-2015-00	RL253	Q502	193-2118-00	2SD2118
C710	168-5612-55	560pF	D608	001-0466-90	S5688B	Q503	193-1858-00	2SD1858
C711	166-5601-50	56pF CH	D702	001-0356-91	1SS184	Q504	125-9003-92	IMD3
C712	166-5601-50	56pF CH	D703	001-0356-91	1SS184	Q505	125-2005-91	UN2211
C713	166-2201-50	22pF CH	D1002	001-0422-38	MTZJ36	Q506	190-1048-00	2SA1048
C714	166-2201-50	22pF CH	D1003	001-0529-44	MA8082-M	Q507	191-1205-60	2SB1205RST
C715	166-2201-50	22pF CH	D1006	001-0589-91	1SS145	Q508	125-9003-92	IMD3
C716	166-2201-50	22pF CH	D1007	001-0589-91	1SS145	Q521	103-2012-00	2SD2012
C717	166-5601-50	56pF CH	D1050	001-0466-90	S5688B(2573)	Q522	125-9003-92	IMD3
C718	166-5601-50	56pF CH	IC101	051-4603-90	TA2083FN	Q523	193-1858-00	2SD1858
C719	166-5601-50	56pF CH	IC102	051-4607-90	SAA6581T	Q603	193-0601-00	2SD601A
C720	166-5601-50	56pF CH	IC103	051-3034-90	NJM4558V	Q604	125-2005-91	UN2211
C721	166-2201-50	22pF CH	IC104	051-6212-08	LC72191JM-TLM	Q605	191-0709-00	2SB709A-Q.R.S
C722	166-2201-50	22pF CH	IC201	051-3020-90	NJM4565V	Q606	100-1359-00	2SA1359
C723	166-2201-50	22pF CH	IC301	051-0267-08	TC4066BF	Q607	125-2005-91	UN2211
C724	166-2201-50	22pF CH	IC302	051-5026-00	LC75410WS	Q608	191-0709-00	2SB709A-Q.R.S
C725	166-5601-50	56pF CH	IC401	051-1014-08	TA7291F	Q609	100-1359-00	2SA1359
C726	166-5601-50	56pF CH	IC402	051-9400-48	S93C46AFJ	Q703	193-0601-00	2SD601A
C727	042-0548-52	10V220uF	IC404	052-3162-11	M30624MGA-123GP	Q704	191-0709-00	2SB709A-Q.R.S
C728	042-0548-52	10V220uF	IC405	051-5436-08	S-80933ANMP-DDX	Q705	191-0709-00	2SB709A-Q.R.S
C729	042-0548-52	10V220uF	IC501	051-1834-00	LM2936	Q706	191-0709-00	2SB709A-Q.R.S
C730	042-0548-52	10V220uF	IC601	051-5418-08	S-80827ANMP-EDQ	Q707	191-0709-00	2SB709A-Q.R.S
C731	042-0548-52	10V220uF	IC701	051-1407-00	NJM4556AL	Q1001	125-0001-91	UN2111
C732	042-0548-52	10V220uF	IC702	051-1407-00	NJM4556AL	Q1003	193-0601-00	2SD601A
C733	042-0548-52	10V220uF	IC703	051-1407-00	NJM4556AL	Q1006	125-2005-91	UN2211
C734	042-0548-52	10V220uF	IC704	051-1407-00	NJM4556AL	Q1007	125-9006-90	IMX1
C737	042-0548-52	10V220uF	IC705	051-3020-90	NJM4565V	R101	119-4741-15	1/16W 470k ohm
C740	163-4763-35	16V47uF	IC707	051-3020-90	NJM4565V	R102	119-1031-15	1/16W 10k ohm
C741	042-0592-61	16V47uF	J201	074-0850-08	8P(2543N)	R103	119-4741-15	1/16W 470k ohm
C742	168-1042-78	16V 0.1uF	J401	076-0509-20	20P	R104	119-1021-15	1/16W 1k ohm
C743	042-0592-58	16V10uF	J402	074-1192-22	22P	R105	119-1021-15	1/16W 1k ohm
C744	163-2273-25	10V 220uF	J403	076-0648-16	16P	R106	119-8201-15	1/16W 82 ohm
C745	166-2201-50	22pF CH	J601	074-1141-00	NS10+6	R107	119-4741-15	1/16W 470k ohm
C1001	042-0562-67	16V10uF	J1001	074-1087-12	A16	R108	119-1021-15	1/16W 1k ohm(2543)
C1002	042-0562-67	16V10uF	J1002	074-1013-30	A12	R108	119-1031-15	1/16W 10k ohm(2573)
C1003	042-0562-67	16V10uF	L101	010-2046-41	560uF	R109	119-1031-15	1/16W 10k ohm
C1004	042-0562-67	16V10uF	L102	010-2198-65	0.1uH	R110	119-2231-15	1/16W 22k ohm
C1006	168-1022-55	1000pF	L103	010-2198-53	5.6uH	R111	119-1021-15	1/16W 1k ohm(2543)
C1007	168-2232-55	0.022uF	L104	010-2003-04	30uH	R111	119-1031-15	1/16W 10k ohm(2573)
C1010	168-1022-55	1000pF	L106	010-2230-76	22uH	R112	010-2312-52	0.27uH
C1011	168-1022-55	1000pF	L151	010-2230-76	22uH	R113	119-2221-15	1/16W 2.2k ohm
CCT401	050-0122-50	1/16W 10k ohmx4J	L401	010-2199-78	22uH J	R114	119-0000-05	1/16W 0 ohm
CCT402	050-0140-54	1/32W 1k ohmx4J	L601	010-8028-00	520uH	R115	119-1021-15	1/16W 1k ohm
CCT403	050-0140-54	1/32W 1k ohmx4J	P201	076-0368-18	18P	R116	119-1021-15	1/16W 1k ohm
CCT404	050-0140-54	1/32W 1k ohmx4J	P202	076-0368-06	6P	R117	119-4721-15	1/16W 4.7k ohm
CCT405	050-0140-54	1/32W 1k ohmx4J	P1001	074-0898-18	18P	R118	116-8211-15	1/8W 820 ohm
CCT406	050-0140-54	1/32W 1k ohmx4J	P1002	074-0898-06	6P	R119	119-1021-15	1/16W 1k ohm
CCT407	050-0140-54	1/32W 1k ohmx4J	Q101	193-0601-00	2SD601A	R120	119-2221-15	1/16W 2.2k ohm

REF No.	PART No.	DESCRIPTION	REF No.	PART No.	DESCRIPTION	REF No.	PART No.	DESCRIPTION
R121	119-4721-15	1/16W 4.7k ohm	R427	119-3311-15	1/16W 330 ohm	R708	119-5621-15	1/16W 5.6k ohm
R122	119-8201-15	1/16W 82 ohm	R428	119-1021-15	1/16W 1k ohm	R709	119-5621-15	1/16W 5.6k ohm
R124	119-3321-15	1/16W 3.3k ohm	R430	119-3311-15	1/16W 330 ohm	R710	119-5621-15	1/16W 5.6k ohm
R126	116-1001-15	1/8W 10 ohm	R431	119-4731-15	1/16W 47k ohm	R711	119-5621-15	1/16W 5.6k ohm
R127	116-1001-15	1/8W 10 ohm	R432	119-4731-15	1/16W 47k ohm	R712	119-1051-15	1/16W 1M ohm
R128	119-2221-15	1/16W 2.2k ohm	R433	119-4731-15	1/16W 47k ohm	R713	119-1051-15	1/16W 1M ohm
R129	119-2221-15	1/16W 2.2k ohm	R436	119-2231-15	1/16W 22k ohm	R714	119-3331-15	1/16W 33k ohm
R130	119-1031-15	1/16W 10k ohm	R438	119-2231-15	1/16W 22k ohm	R715	119-1021-15	1/16W 1k ohm
R131	119-1031-15	1/16W 10k ohm	R440	119-4731-15	1/16W 47k ohm	R716	119-1021-15	1/16W 1k ohm
R132	119-4721-15	1/16W 4.7k ohm	R441	119-1021-15	1/16W 1k ohm	R717	119-3331-15	1/16W 33k ohm
R133	119-1021-15	1/16W 1k ohm	R443	119-1031-15	1/16W 10k ohm	R718	119-1021-15	1/16W 1k ohm
R134	119-2221-15	1/16W 2.2k ohm	R444	119-4731-15	1/16W 47k ohm	R719	119-1021-15	1/16W 1k ohm
R135	119-1021-15	1/16W 1k ohm	R447	119-4731-15	1/16W 47k ohm	R720	119-3331-15	1/16W 33k ohm
R136	119-1021-15	1/16W 1k ohm	R452	119-1031-15	1/16W 10k ohm	R721	119-3331-15	1/16W 33k ohm
R137	116-1001-15	1/8W 10 ohm	R453	119-4731-15	1/16W 47k ohm	R722	119-2231-15	1/16W 22k ohm
R138	119-1031-15	1/16W 10k ohm	R458	119-4731-15	1/16W 47k ohm	R723	119-2231-15	1/16W 22k ohm
R139	119-1031-15	1/16W 10k ohm	R459	119-4731-15	1/16W 47k ohm	R724	119-1001-15	1/16W 10 ohm
R140	119-4721-15	1/16W 4.7k ohm	R460	119-1041-15	1/16W 100k ohm	R725	119-2231-15	1/16W 22k ohm
R141	119-4731-15	1/16W 47k ohm	R461	119-1031-15	1/16W 10k ohm	R726	119-2231-15	1/16W 22k ohm
R151	119-1021-15	1/16W 1k ohm	R462	119-1031-15	1/16W 10k ohm	R727	119-1001-15	1/16W 10 ohm
R152	119-1021-15	1/16W 1k ohm(2543)	R463	119-4731-15	1/16W 47k ohm	R728	119-1831-15	1/16W 18k ohm
R161	119-0000-05	1/16W 0 ohm(2573)	R464	119-1041-15	1/16W 100k ohm	R729	119-1831-15	1/16W 18k ohm
R162	119-0000-05	1/16W 0 ohm(2573)	R465	119-4721-15	1/16W 4.7k ohm	R730	119-1041-15	1/16W 100k ohm
R201	116-8211-15	1/8W 820 ohm(2543)	R467	119-4721-15	1/16W 4.7k ohm	R731	119-1041-15	1/16W 100k ohm
R202	116-8211-15	1/8W 820 ohm(2543)	R468	119-4721-15	1/16W 4.7k ohm	R732	119-2231-15	1/16W 22k ohm
R203	119-4731-15	1/16W 47k ohm (2543)	R469	119-4731-15	1/16W 47k ohm	R733	119-1001-15	1/16W 10 ohm
R204	116-8211-15	1/8W 820 ohm(2543)	R471	119-4731-15	1/16W 47k ohm	R734	119-2231-15	1/16W 22k ohm
R205	116-8211-15	1/8W 820 ohm(2543)	R473	119-4731-15	1/16W 47k ohm	R735	119-1001-15	1/16W 10 ohm
R206	119-3011-15	1/16W 300 ohm (2543)	R476	119-1021-15	1/16W 1k ohm	R738	119-2231-15	1/16W 22k ohm
R207	119-3011-15	1/16W 300 ohm (2543)	R477	119-1031-15	1/16W 10k ohm	R739	119-2231-15	1/16W 22k ohm
R208	032-0106-65	1/10W 100k ohm D	R478	119-1031-15	1/16W 10k ohm	R740	119-1001-15	1/16W 10 ohm
R209	032-0106-65	1/10W 100k ohm D	R479	119-1021-15	1/16W 1k ohm	R741	119-2231-15	1/16W 22k ohm
R210	032-0106-65	1/10W 100k ohm D	R488	119-1021-15	1/16W 1k ohm	R742	119-2231-15	1/16W 22k ohm
R211	032-0106-65	1/10W 100k ohm D	R492	119-4731-15	1/16W 47k ohm	R743	119-1001-15	1/16W 10 ohm
R212	032-0106-69	1/10W 39k ohm D	R493	119-4731-15	1/16W 47k ohm	R744	119-1831-15	1/16W 18k ohm
R213	032-0106-69	1/10W 39k ohm D	R494	119-4731-15	1/16W 47k ohm	R745	119-1831-15	1/16W 18k ohm
R214	032-0106-69	1/10W 39k ohm D	R495	119-1031-15	1/16W 10k ohm	R746	119-1041-15	1/16W 100k ohm
R215	032-0106-69	1/10W 39k ohm D	R496	119-5631-15	1/16W 56k ohm	R747	119-1041-15	1/16W 100k ohm
R301	119-1541-15	1/16W 150k ohm	R501	111-2211-98	1/4W 220 ohm	R748	119-2231-15	1/16W 22k ohm
R302	119-1541-15	1/16W 150k ohm	R502	116-3911-15	1/8W 390 ohm	R749	119-1001-15	1/16W 10 ohm
R305	119-1541-15	1/16W 150k ohm	R503	119-1031-15	1/16W 10k ohm	R750	119-2231-15	1/16W 22k ohm
R306	119-1541-15	1/16W 150k ohm	R504	116-1011-15	1/8W 100 ohm	R751	119-1001-15	1/16W 10 ohm
R307	119-1541-15	1/16W 150k ohm	R505	119-4721-15	1/16W 4.7k ohm	R756	119-1031-15	1/16W 10k ohm
R308	119-4731-15	1/16W 47k ohm	R506	119-1021-15	1/16W 1k ohm	R757	119-1031-15	1/16W 10k ohm
R309	119-4721-15	1/16W 4.7k ohm	R507	119-1031-15	1/16W 10k ohm	R758	119-4731-15	1/16W 47k ohm
R310	119-3031-15	1/16W 30k ohm(2543)	R508	116-7501-15	1/8W 75 ohm	R759	119-4731-15	1/16W 47k ohm
R311	119-3031-15	1/16W 30k ohm(2543)	R509	116-2201-15	1/8W 22 ohm	R1002	119-3011-15	1/16W 300 ohm
R312	119-3031-15	1/16W 30k ohm(2543)	R510	116-2201-15	1/8W 22 ohm	R1003	119-3011-15	1/16W 300 ohm
R313	119-3031-15	1/16W 30k ohm(2543)	R511	119-1041-15	1/16W 100k ohm	R1004	119-1031-15	1/16W 10k ohm
R320	119-2731-15	1/16W 27k ohm	R521	111-8211-98	1/4W 820 ohm	R1005	119-5631-15	1/16W 56k ohm
R321	119-2731-15	1/16W 27k ohm	R522	119-4711-15	1/16W 470 ohm	R1006	119-1021-15	1/16W 1k ohm
R353	119-2721-15	1/16W 2.7k ohm	R601	119-4741-15	1/16W 470k ohm	R1010	119-2231-15	1/16W 22k ohm
R354	119-2721-15	1/16W 2.7k ohm	R602	119-2741-15	1/16W 270k ohm	R1015	119-4731-15	1/16W 47k ohm
R401	119-1031-15	1/16W 10k ohm	R605	119-1031-15	1/16W 10k ohm	R1016	119-1031-15	1/16W 10k ohm
R402	119-1031-15	1/16W 10k ohm	R606	119-5611-15	1/16W 560 ohm	R1017	119-1031-15	1/16W 10k ohm
R403	116-1221-15	1/8W 1.2k ohm	R607	116-1221-15	1/8W 1.2k ohm	R1018	119-5631-15	1/16W 56k ohm
R404	116-1221-15	1/8W 1.2k ohm	R608	119-4721-15	1/16W 4.7k ohm	R1019	119-5631-15	1/16W 56k ohm
R405	119-1031-15	1/16W 10k ohm	R609	111-6891-98	1/4W 6.8 ohm	R1020	119-5621-15	1/16W 5.6k ohm
R406	116-1001-15	1/8W 10 ohm	R610	111-6891-98	1/4W 6.8 ohm	R1021	119-5621-15	1/16W 5.6k ohm
R407	116-1001-15	1/8W 10 ohm	R611	116-1221-15	1/8W 1.2k ohm	R1024	119-0000-05	1/16W 0 ohm
R408	116-1001-15	1/8W 10 ohm	R612	119-4721-15	1/16W 4.7k ohm	R1025	119-0000-05	1/16W 0 ohm
R409	116-1001-15	1/8W 10 ohm	R613	116-1221-15	1/8W 1.2k ohm	R1026	119-4731-15	1/16W 47k ohm
R410	119-2221-15	1/16W 2.2k ohm	R614	111-5691-98	1/4W 5.6 ohm	R1050	119-1031-15	1/16W 10k ohm
R416	119-4731-15	1/16W 47k ohm	R615	111-5691-98	1/4W 5.6 ohm	R1051	119-2231-15	1/16W 22k ohm(2573)
R417	119-1021-15	1/16W 1k ohm	R616	116-1531-15	1/8W 15k ohm	R1052	119-3321-15	1/16W 3.3k ohm(2573)
R418	119-1021-15	1/16W 1k ohm	R617	114-2291-18	1W 2.2 ohm	SUP101	060-0122-91	DSP-141N-S00B
R419	119-4731-15	1/16W 47k ohm	R618	119-0000-05	1/16W 0 ohm	SUP102	060-0122-91	DSP-141N-S00B
R420	119-4721-15	1/16W 4.7k ohm	R619	119-0000-05	1/16W 0 ohm(2543)	VR101	012-5203-63	470k ohm
R421	119-4731-15	1/16W 47k ohm	R620	119-0000-05	1/16W 0 ohm(2573)	VR102	012-5203-56	10k ohm
R423	119-4731-15	1/16W 47k ohm	R704	119-4731-15	1/16W 47k ohm	X101	061-3013-90	4.332MHz
			R705	119-4731-15	1/16W 47k ohm	X102	061-1066-80	7.2MHz
			R706	119-1031-15	1/16W 10k ohm	X401	060-1505-50	10MHz
			R707	119-5621-15	1/16W 5.6k ohm			

Display PWB section(B2) : PN-2573D

REF No.	PART No.	DESCRIPTION	REF No.	PART No.	DESCRIPTION	REF No.	PART No.	DESCRIPTION
C251	166-2701-50	27pF CH	C272	166-1011-50	100pF CH	R254	119-1031-15	1/16W 10k ohm
C252	166-1011-50	100pF CH	IC201	051-6061-01	MSM9223AGA-BK	R255	119-6221-15	1/16W 6.2k ohm
C253	166-2201-50	22pF CH	IC202	051-6054-00	MSM9210	R256	119-4731-15	1/16W 47k ohm
C256	168-1042-78	16V 0.1uF	J251	074-1279-16	16P	R258	119-4731-15	1/16W 47k ohm
C257	168-2222-55	2200pF	PL251	017-0433-52	14V40mA	R260	119-1031-15	1/16W 10k ohm
C258	168-2222-55	2200pF	PL252	017-0458-00	14V40mA	R261	119-1021-15	1/16W 1k ohm
C259	166-2201-50	22pF CH	PL253	017-0458-00	14V40mA	R262	119-1021-15	1/16W 1k ohm
C260	166-2201-50	22pF CH	PL254	017-0458-00	14V40mA	R265	119-1021-15	1/16W 1k ohm
C261	168-2222-55	2200pF	PL255	017-0458-00	14V40mA	R266	119-1021-15	1/16W 1k ohm
C262	168-2222-55	2200pF	PL256	017-0458-00	14V40mA	R267	119-1021-15	1/16W 1k ohm
C263	166-1011-50	100pF CH	PL257	017-0458-00	14V40mA	R268	119-1021-15	1/16W 1k ohm
C264	166-1011-50	100pF CH	PL258	017-0458-00	14V40mA	R269	119-1021-15	1/16W 1k ohm
C265	166-1011-50	100pF CH	Q251	125-0002-91	RN2401	S254	013-6305-50	SKQMAH
C266	166-1011-50	100pF CH	Q252	125-0002-91	RN2401	S258	013-6305-50	SKQMAH
C267	166-1011-50	100pF CH	Q253	125-0002-91	RN2401	S262	013-6305-50	SKQMAH
C268	166-1011-50	100pF CH	Q254	125-2004-92	RN1402	S268	013-7411-50	ESE2131BTXN
C269	166-1011-50	100pF CH	R251	119-1031-15	1/16W 10k ohm	S273	013-8003-00	ROTARY SW
C270	166-1011-50	100pF CH	R252	119-1031-15	1/16W 10k ohm	S274	013-6201-50	SKPMAA
C271	166-1011-50	100pF CH	R253	119-1031-15	1/16W 10k ohm			

Display PWB section(B2) : PN-2543N

REF No.	PART No.	DESCRIPTION	REF No.	PART No.	DESCRIPTION	REF No.	PART No.	DESCRIPTION
C251	166-2701-50	27pF CH	C272	166-1011-50	100pF CH	R254	119-1031-15	1/16W 10k ohm
C252	166-1011-50	100pF CH	IC201	051-6061-01	MSM9223AGA-BK	R255	119-6221-15	1/16W 6.2k ohm
C253	166-2201-50	22pF CH	IC202	051-6054-00	MSM9210	R256	119-1031-15	1/16W 10k ohm
C254	168-2222-55	2200pF	J251	074-1279-16	16P	R257	119-4731-15	1/16W 47k ohm
C255	168-2222-55	2200pF	PL251	017-0458-00	14V40mA	R258	119-4731-15	1/16W 47k ohm
C256	168-1042-78	16V 0.1uF	PL252	017-0458-00	14V40mA	R259	119-1021-15	1/16W 1k ohm
C257	166-2201-50	22pF CH	PL253	017-0458-00	14V40mA	R260	119-1021-15	1/16W 1k ohm
C258	166-2201-50	22pF CH	PL254	017-0458-00	14V40mA	R265	119-1021-15	1/16W 1k ohm
C261	168-2222-55	2200pF	PL255	017-0458-00	14V40mA	R266	119-1021-15	1/16W 1k ohm
C262	168-2222-55	2200pF	PL256	017-0458-00	14V40mA	R267	119-1021-15	1/16W 1k ohm
C263	166-1011-50	100pF CH	PL257	017-0458-00	14V40mA	R268	119-1021-15	1/16W 1k ohm
C264	166-1011-50	100pF CH	PL258	017-0458-00	14V40mA	R269	119-1021-15	1/16W 1k ohm
C265	166-1011-50	100pF CH	Q251	125-0002-91	RN2401	S254	013-3812-01	SKQCAC
C266	166-1011-50	100pF CH	Q252	125-0002-91	RN2401	S258	013-3812-01	SKQCAC
C267	166-1011-50	100pF CH	Q253	125-0002-91	RN2401	S262	013-3812-01	SKQCAC
C268	166-1011-50	100pF CH	Q254	125-2004-92	RN1402	S268	013-7411-50	ESE2131BTXN
C269	166-1011-50	100pF CH	R251	119-1031-15	1/16W 10k ohm	VR251	016-0013-05	ROTARY ENCODER
C270	166-1011-50	100pF CH	R252	119-1031-15	1/16W 10k ohm			
C271	166-1011-50	100pF CH	R253	119-1031-15	1/16W 10k ohm			

CD PWB section(B3) : CD changer mechanism

REF No.	PART No.	DESCRIPTION	REF No.	PART No.	DESCRIPTION	REF No.	PART No.	DESCRIPTION
C2	046-1022-58	1000pF	C33	046-3322-58	3300pF	R4	033-3311-15	1/16W 330 ohm
C3	168-1042-78	16V 0.1uF	C34	168-2732-55	16V 0.027uF	R5	033-1041-15	1/16W 100k ohm
C4	042-0636-54	4V220uF	C35	178-2742-78	0.27uF	R6	033-3931-15	1/16W 39k ohm
C5	168-1042-78	16V 0.1uF	C36	178-1052-78	1uF	R7	033-1041-15	1/16W 100k ohm
C6	046-1032-78	0.01uF	C37	168-1042-78	16V 0.1uF	R8	033-5611-15	1/16W 560 ohm
C7	168-1042-78	16V 0.1uF	C38	042-0472-91	16V47uF	R9	033-5611-15	1/16W 560 ohm
C8	178-4742-78	0.47uF	C39	042-0636-50	6.3V100uF	R10	033-1011-15	1/16W 100 ohm
C9	178-2242-78	0.22uF	C40	045-1211-50	120pF	R11	033-3911-15	1/16W 390 ohm
C10	168-1042-78	16V 0.1uF	C41	045-5601-50	56pF	R12	033-2221-15	1/16W 2.2k ohm
C11	168-1042-78	16V 0.1uF	C42	168-1042-78	16V 0.1uF	R13	033-6831-15	1/16W 68k ohm
C12	168-1042-78	16V 0.1uF	C43	042-0636-52	4V47uF	R14	033-5621-15	1/16W 5.6k ohm
C13	046-2232-78	0.022uF	C50	168-1042-78	16V 0.1uF	R15	033-1021-15	1/16W 1k ohm
C14	168-5612-55	560pF	C51	168-1042-78	16V 0.1uF	R16	033-5631-15	1/16W 56k ohm
C15	168-1042-78	16V 0.1uF	C60	168-5612-55	560pF	R17	033-1031-15	1/16W 10k ohm
C16	046-2212-58	220pF	D1	001-0516-90	MA111	R18	033-1031-15	1/16W 10k ohm
C17	046-2212-58	220pF	IC1	051-6365-00	MN662785TBUC	R19	033-5621-15	1/16W 5.6k ohm
C18	168-1222-55	1200pF	IC2	051-9318-00	MSM51V17400D-60TS-K	R20	033-6831-15	1/16W 68k ohm
C19	046-3322-58	3300pF	IC3	051-6060-08	BD7961FM-E2	R21	033-5621-15	1/16W 5.6k ohm
C20	168-3932-78	0.039uF	IC4	051-5711-90	AN8882SB-E1	R22	033-1031-15	1/16W 10k ohm
C21	168-3932-78	0.039uF	J1	074-1189-95	45P	R23	033-1031-15	1/16W 10k ohm
C22	042-0416-52	10V10uF TAN	J4	074-1138-56	6P	R24	033-4731-15	1/16W 47k ohm
C25	178-1052-78	1uF	J5	074-1201-65	15P	R25	033-3931-15	1/16W 39k ohm
C26	042-0472-91	16V47uF	J6	074-1059-76	26P	R26	033-6831-15	1/16W 68k ohm
C27	178-3342-78	0.33uF	L2	010-3050-93	10uH	R27	033-6831-15	1/16W 68k ohm
C29	168-2732-55	16V 0.027uF	Q2	131-1188-00	2SB1188	R28	033-1031-15	1/16W 10k ohm
C30	042-0416-58	4V100uF	Q3	131-1188-00	2SB1188	R29	033-2201-15	1/16W 22 ohm
C31	042-0636-52	4V47uF	R2	033-1041-15	1/16W 100k ohm	R31	033-8211-15	1/16W 820 ohm
C32	046-1022-58	1000pF				R32	033-5631-15	1/16W 56k ohm

REF No.	PART No.	DESCRIPTION	REF No.	PART No.	DESCRIPTION	REF No.	PART No.	DESCRIPTION
R33	033-6831-15	1/16W 68k ohm	R41	033-6821-15	1/16W 6.8k ohm	R47	116-4711-15	1/8W 470 ohm
R34	033-3331-15	1/16W 33k ohm	R42	033-6821-15	1/16W 6.8k ohm	R48	033-1031-15	1/16W 10k ohm
R35	033-6831-15	1/16W 68k ohm	R43	033-1241-15	1/16W 120k ohm	R49	033-1011-15	1/16W 100 ohm
R38	033-3931-15	1/16W 39k ohm	R44	033-6831-15	1/16W 68k ohm	R60	033-1031-15	1/16W 10k ohm
R39	033-1831-15	1/16W 18k ohm	R45	116-4711-15	1/8W 470 ohm	TM1	073-0768-90	TERMINAL
R40	117-1001-15	1/10W 10 ohm	R46	117-1811-15	1/10W 180 ohm	X1	060-1527-90	33.8688MHz

Side PWB section(B4) : CD changer mechanism

REF No.	PART No.	DESCRIPTION	REF No.	PART No.	DESCRIPTION	REF No.	PART No.	DESCRIPTION
C101	168-1045-56	0.1uF	J102	074-1191-22	22P	R120	119-3941-15	1/16W 390k ohm
C102	168-1032-55	0.01uF	L101	010-3071-65	18uH	R121	119-1041-15	1/16W 100k ohm
C104	163-1073-15	6.3V100uF	L102	010-2199-80	33uH J	R123	119-1041-15	1/16W 100k ohm
C106	163-1063-35	16V10uF	P101	076-0478-55	PLUG	R124	119-1041-15	1/16W 100k ohm
C107	163-1073-15	6.3V100uF	Q101	125-2004-92	RN1402	R125	119-1041-15	1/16W 100k ohm
C108	168-1042-78	16V 0.1uF	Q102	131-1188-50	2SB1188PQR	R504	119-5621-15	1/16W 5.6k ohm
C109	168-1042-78	16V 0.1uF	Q103	193-1758-00	2SD1758TK-P,Q,R	R505	119-1031-15	1/16W 10k ohm
C110	168-1042-78	16V 0.1uF	Q104	193-1758-00	2SD1758TK-P,Q,R	R506	119-1041-15	1/16W 100k ohm
C111	163-1073-35	16V100uF	Q105	125-0014-92	DTA114EK	R507	119-0000-05	1/16W 0 ohm
C112	168-2722-55	2700pF	Q106	125-2004-92	RN1402	R509	119-4731-15	1/16W 47k ohm
C113	163-2263-35	16V22uF	Q502	190-1162-00	2SA1162	R510	119-1031-15	1/16W 10k ohm
C114	163-2263-35	16V22uF	Q503	190-1162-00	2SA1162	R511	119-1031-15	1/16W 10k ohm
C115	166-3311-50	330pF CH	Q504	192-2712-00	2SC2712	R512	050-0145-54	1/16W 47k ohmx4
C116	166-3311-50	330pF CH	Q505	125-2004-92	RN1402	R513	119-1041-15	1/16W 100k ohm
C117	166-1011-50	100pF CH	Q506	125-0014-92	DTA114EK	R514	119-2241-15	1/16W 220k ohm
C118	166-1011-50	100pF CH	Q507	125-0002-92	RN2402	R515	119-2241-15	1/16W 220k ohm
C119	168-2722-55	2700pF	Q508	192-2712-00	2SC2712	R516	119-2241-15	1/16W 220k ohm
C120	168-1022-55	1000pF	R101	119-4711-15	1/16W 470 ohm	R517	119-1041-15	1/16W 100k ohm
C121	163-2263-35	16V22uF	R102	119-2231-15	1/16W 22k ohm	R518	119-2241-15	1/16W 220k ohm
C122	168-1022-55	1000pF	R103	119-1821-15	1/16W 1.8k ohm	R522	119-1041-15	1/16W 100k ohm
C123	163-2263-35	16V22uF	R104	119-1831-15	1/16W 18k ohm	R524	119-1041-15	1/16W 100k ohm
C124	042-0403-55	16V33uF	R105	116-1211-15	1/8W 120 ohm	R526	119-4731-15	1/16W 47k ohm
C125	042-0403-55	16V33uF	R106	119-1041-15	1/16W 100k ohm	R529	119-1021-15	1/16W 1k ohm
C501	163-1063-35	16V10uF	R107	119-4731-15	1/16W 47k ohm	R531	119-1021-15	1/16W 1k ohm
C502	168-1045-56	0.1uF	R108	119-1031-15	1/16W 10k ohm	R532	119-1021-15	1/16W 1k ohm
C503	168-4735-56	0.047uF	R109	119-1031-15	1/16W 10k ohm	R533	119-1021-15	1/16W 1k ohm
C504	168-1045-56	0.1uF	R110	119-4741-15	1/16W 470k ohm	R535	119-2231-15	1/16W 22k ohm
D100	001-0516-90	MA111	R111	119-4741-15	1/16W 470k ohm	R536	119-2231-15	1/16W 22k ohm
D103	001-0504-07	HZS4BLL	R112	119-2731-15	1/16W 27k ohm	R538	119-1031-15	1/16W 10k ohm
D104	001-0516-90	MA111	R113	119-2731-15	1/16W 27k ohm	R539	119-5631-15	1/16W 56k ohm
D105	001-0529-31	MA8056-L	R114	119-2731-15	1/16W 27k ohm	R541	119-1021-15	1/16W 1k ohm
IC501	051-9400-28	BR93LC46F-WE2	R115	119-2731-15	1/16W 27k ohm	R542	119-4721-15	1/16W 4.7k ohm
IC502	052-5047-21	M30621MCM-5N4GP	R116	119-5611-15	1/16W 560 ohm	R543	119-1041-15	1/16W 100k ohm
IC503	051-5418-08	S-80827ANMP-EDQ	R117	119-5611-15	1/16W 560 ohm	R544	119-1041-15	1/16W 100k ohm
IC504	051-1407-90	NJM4556AM	R118	119-4731-15	1/16W 47k ohm	R545	119-1041-15	1/16W 100k ohm
J101	074-1189-95	45P	R119	119-4731-15	1/16W 47k ohm	X501	060-1505-50	10MHz

Sensor PWB section(B5) : CD changer mechanism

REF No.	PART No.	DESCRIPTION	REF No.	PART No.	DESCRIPTION	REF No.	PART No.	DESCRIPTION
PT3	060-0252-01	PT4850F	PT5	060-0252-01	PT4850F	S1	013-7414-50	SPVG22
PT4	060-0252-01	PT4850F	PT6	060-0252-01	PT4850F			

PIM-FPC section(B6) : CD changer mechanism

REF No.	PART No.	DESCRIPTION
IC5	051-5806-02	GPIS95

Driver PWB section(B7) : CD changer mechanism

REF No.	PART No.	DESCRIPTION	REF No.	PART No.	DESCRIPTION	REF No.	PART No.	DESCRIPTION
C1	168-1045-56	0.1uF	J1	074-1239-76	26P	R3	032-0104-59	1/4W 2.2 ohm
C2	163-1073-35	16V100uF	J2	074-1100-59	9P	S1	013-7412-50	SPVG21
D1	001-0529-32	MA8056-M	R1	033-1021-15	1/16W 1k ohm			
IC1	051-6044-18	BA6920FP-Y	R2	032-0104-59	1/4W 2.2 ohm			

PIV-FPC section(B8) : CD changer mechanism

REF No.	PART No.	DESCRIPTION
IC6	051-5806-01	GPIS93

LED-L-PWB section(B9) : CD changer mechanism

REF No.	PART No.	DESCRIPTION	REF No.	PART No.	DESCRIPTION
LED3	001-7042-00	GL4800	LED4	001-7042-00	GL4800

LED-R-PWB section(B10) : CD changer mechanism

REF No.	PART No.	DESCRIPTION	REF No.	PART No.	DESCRIPTION
LED5	001-7042-00	GL4800	LED6	001-7042-00	GL4800

L-Motor-FPC section(B11) : CD changer mechanism

REF No.	PART No.	DESCRIPTION
M1	SMA-186-100	LOADING

M/S-FPC section(B12) : CD changer mechanism

REF No.	PART No.	DESCRIPTION	REF No.	PART No.	DESCRIPTION	REF No.	PART No.	DESCRIPTION
M2	SMA-185-100	SPINDLE	M3	SMA-184-100	SLED	S2	013-7414-50	SPVG22

Side PWB(B13) section:Tape mechanism

REF No.	PART No.	DESCRIPTION	REF No.	PART No.	DESCRIPTION	REF No.	PART No.	DESCRIPTION
C1	168-5612-05	560pF	C16	168-1032-05	0.01uF	R8	119-3341-10	1/16W 330k ohm
C2	168-5612-05	560pF	C17	178-4745-79	0.47uF	R9	119-1131-15	1/16W 11k ohm
C3	168-5612-05	560pF	C18	168-1042-78	0.1uF	R10	119-1131-15	1/16W 11k ohm
C4	168-5612-05	560pF	C19	163-2263-30	16V22uF	R11	119-1531-10	1/16W 15k ohm
C5	178-1055-79	1uF	IC1	051-5204-00	HA12216F	R12	119-1531-10	1/16W 15k ohm
C6	168-1232-05	0.012uF	J1	074-0898-10	10P	R13	032-0140-80	1/16W 18k ohm F
C7	168-1232-05	0.012uF	L1	010-2198-26	0.047uH	R14	119-1531-10	1/16W 15k ohm
C8	168-4732-78	0.047uF	L2	010-2198-26	0.047uH	R15	119-1031-10	1/16W 10k ohm
C9	168-4732-78	0.047uF	R1	119-2731-10	1/16W 27k ohm	R16	119-3921-10	1/16W 3.9k ohm
C10	168-5612-05	560pF	R2	119-2731-10	1/16W 27k ohm	R17	119-1241-10	1/16W 120k ohm
C11	168-5612-05	560pF	R3	119-2731-10	1/16W 27k ohm	R18	119-2231-10	1/16W 22k ohm
C12	168-1042-78	0.1uF	R4	119-2731-10	1/16W 27k ohm	VR1	012-6014-56	10kohm
C13	168-1042-78	0.1uF	R5	119-1811-10	1/16W 180 ohm	VR2	012-6014-56	10kohm
C14	168-1032-05	0.01uF	R6	119-1811-10	1/16W 180 ohm			
C15	163-4753-50	35V4.7uF	R7	119-3341-10	1/16W 330k ohm			

Bottom PWB(B14) section:Tape mechanism

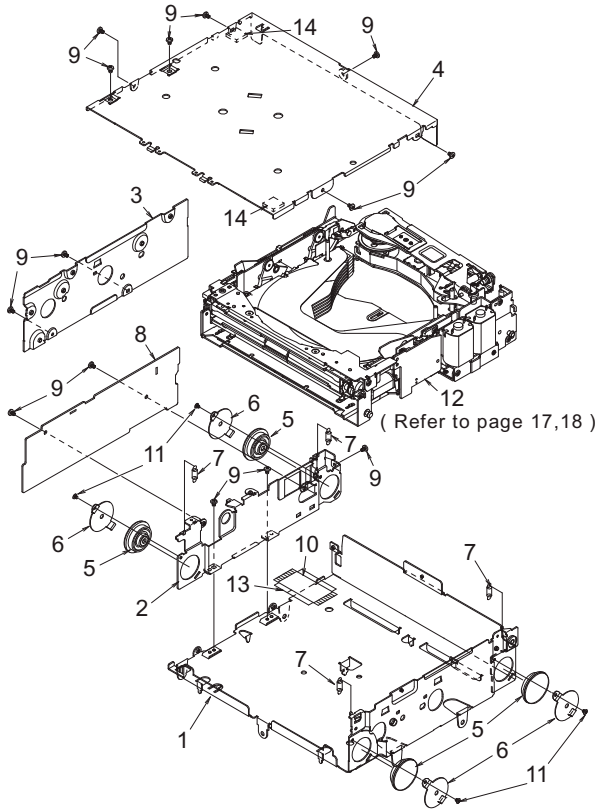
REF No.	PART No.	DESCRIPTION	REF No.	PART No.	DESCRIPTION	REF No.	PART No.	DESCRIPTION
IC2	051-1776-00	NJL5801K	SW1	013-3953-01	SPPB32	SW2	013-3951-32	MODE SWITCH

Rear PWB(B15) section:Tape mechanism

REF No.	PART No.	DESCRIPTION	REF No.	PART No.	DESCRIPTION
P1	076-0368-10	10P	R19	111-5611-91	1/4WS 560 ohm
J2	074-1012-20	20P	S1	013-3906-00	SPPB51

# EXPLODED VIEW / PARTS LIST

## CD changer module section

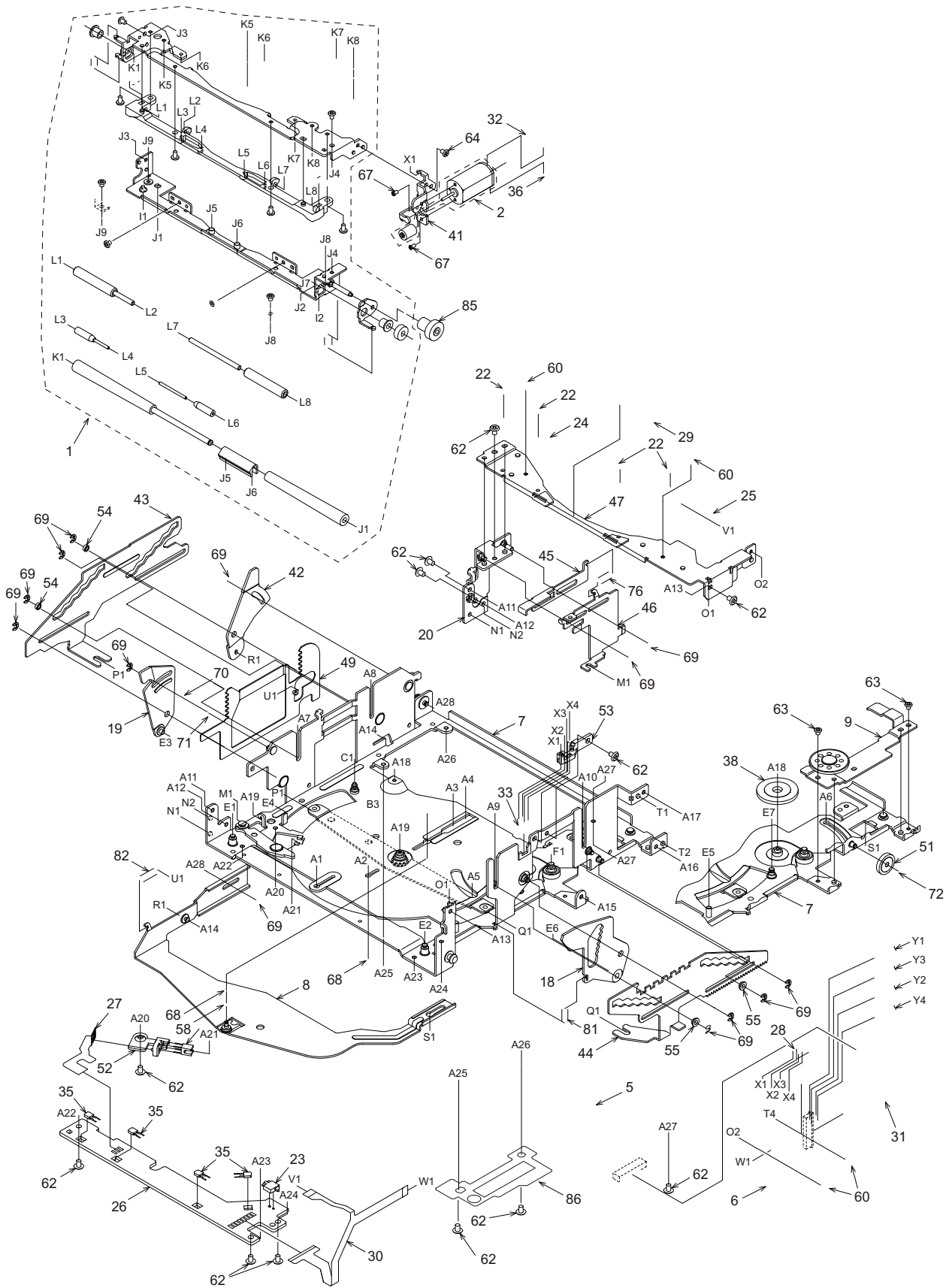


NO.	PART NO.	DESCRIPTION	Q'TY
1	311-1837-25	LOWER CASE	1
2	331-3266-24	PWB HOLDER	1
3	305-0315-21	SIDE CASE	1
4	310-1741-23	UPPER CASE	1
5	629-0083-01	DAMPER	4
6	620-1086-20	DAMPER-H-PLT	4
7	750-3491-00	FL-APRING	1
8	039-2020-01	SIDE PWB (WITHOUT COMPONENT)	1
9	716-1716-00	SCREW(M2x3)	14
10	039-1957-01	FPC	1
11	716-3450-00	SCREW(M1.7x2)	4
12	-----	CD CHANGER MECHANISM	1
13	347-6619-00	INSULATOR	1
14	345-8329-00	CUSHION RUBBER	2

CD changer mechanism section : Main chassis

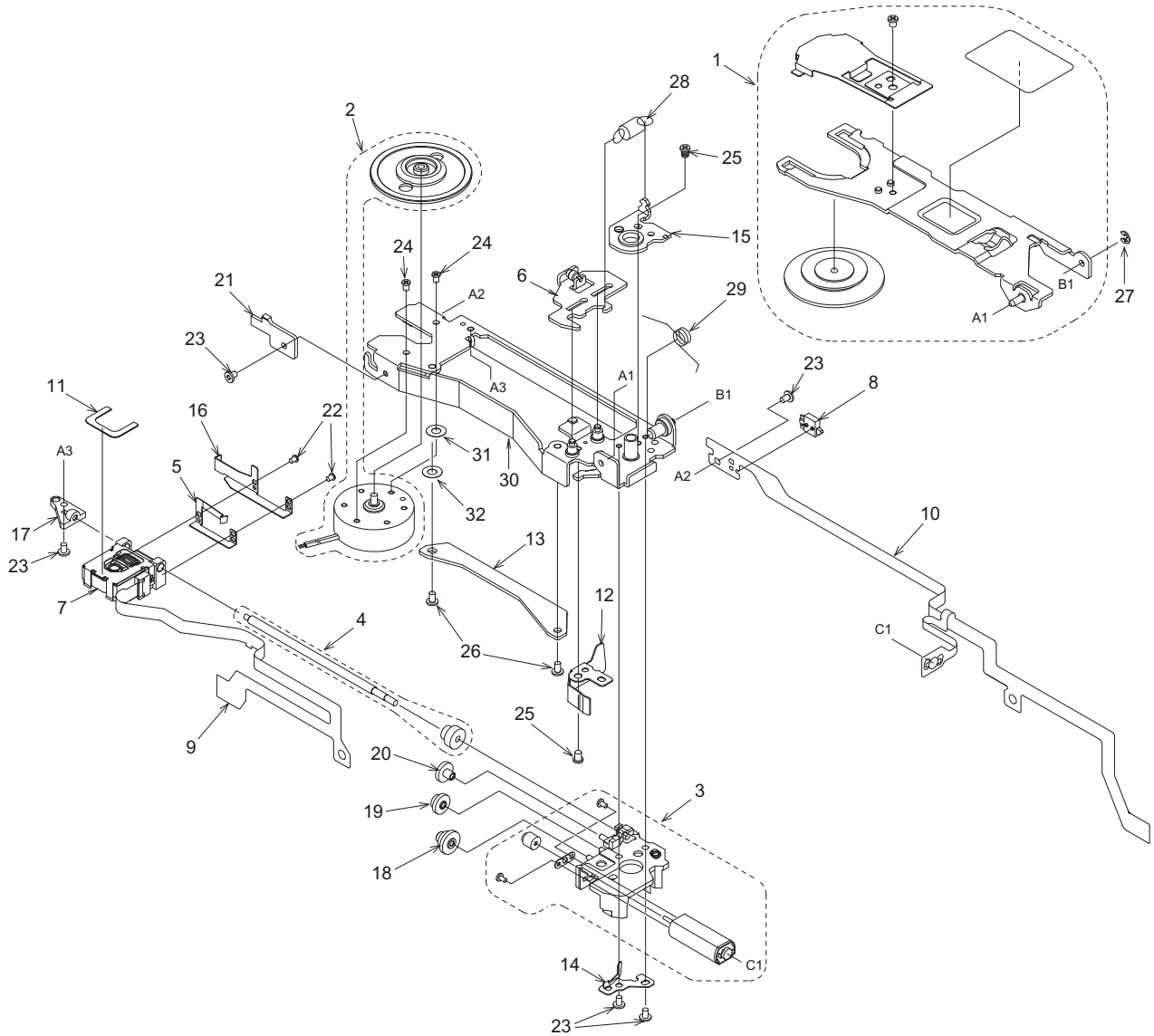
NO.	PART NO.	DESCRIPTION	Q'TY	NO.	PART NO.	DESCRIPTION	Q'TY
1	HBS-521-100	LOADING UNIT (WITHOUT MOTOR)	1	43	620-1067-21	SLIDE PLATE-L	1
2	SMA-186-100	LOADING MOTOR ASSY	1	44	620-1068-22	SLIDE PLATE-R	1
3	HBS-512-100	MOTOR PLATE SUB ASSY	1	45	620-1071-20	EJECT ARM	1
4	HBS-513-103	DRIVE UNIT	1	46	620-1072-20	EJECT PLATE	1
5	039-1951-20	CD PWB (WITHOUT COMPONENT)	1	47	620-1577-20	FRONT PLATE	1
6	039-1953-00	DRIVER PWB (WITHOUT COMPONENT)	1	48	620-1083-20	FPC-PLATE	1
7	966-0597-03	CHASSIS ASSY	1	49	620-1090-00	GAP PLATE	1
8	966-0600-01	LOCK-P-RE-ASSY	1	50	620-1568-00	RATTLE PLATE-F	2
9	966-0601-01	M-GEAR-P-ASSY	1	51	621-0640-00	V-GEAR-G	1
10	966-0602-02	DR-LINK-ASSY	1	52	621-0641-21	PI-HOLDER-M	1
11	966-0603-00	MODE-P-ASSY	1	53	621-0656-21	PI-HOLDER-V	1
12	966-0604-02	LOCK-PF-ASSY	1	54	622-1622-00	SL-G-ROLLER	2
13	966-0605-00	SHIFT-P-ASSY	1	55	622-1623-00	SL-G-ROLLER-R	2
14	966-0606-03	HLC-PLATE-ASSY	1	56	622-1648-02	DU-STP-SLEEVE	1
15	966-0607-04	COV-OLATE-ASSY	1	57	622-1650-02	COV-PLATE PIN-B	2
16	966-0610-24	TOP-PLATE-ASSY	1	58	622-1651-00	LOCK-RE-ROLLER	1
17	966-0611-25	DR-BASE-P-ASSY	1	59	622-1652-00	LOCK-PF-ROLLER	1
18	966-0615-21	LOCK-L-RF-ASSY	1	60	716-1866-00	SCREW(M1.7x3)	4
19	966-0616-20	LOCK-L-LF-ASSY	1	61	716-1873-00	SCREW(M2x1.6)	1
20	966-0618-21	EJECT-B-ASSY	1	62	716-3449-00	SCREW(M2x3)	15
21	966-0624-23	DISC-HOL-ASSY	1	63	716-3450-00	SCREW(M1.7x2)	4
22	001-7042-00	DIODE (GL4800)	4	64	716-3451-00	SCREW(M1.7x2.5)	4
23	013-7414-50	DETECTOR SWITCH	1	65	716-3459-00	SCREW(M1.7x5)	1
24	039-1954-20	LED-L-PWB (WITHOUT COMPONENT)	1	66	716-3466-02	SCREW	1
25	039-1955-20	LED-R-PWB (WITHOUT COMPONENT)	1	67	738-1422-11	PRECISION SCREW	2
26	039-1956-00	SENSOR PWB (WITHOUT COMPONENT)	1	68	743-1200-20	E-RING	2
27	039-2009-00	PIM-FPC	1	69	743-1500-20	E-RING	13
28	039-2010-00	PIV-FPC	1	70	746-0624-00	WASHER	1
29	039-2011-00	LED-FPC	1	71	746-0712-03	WASHER	1
30	039-2012-00	SENSOR-FPC	1	72	746-0761-00	WASHER	1
31	039-2013-00	MOS-FPC	1	73	750-3478-01	TOP-P-SP-L	2
32	039-2014-00	L-MOTOR-FPC (WITHOUT COMPONENT)	1	74	750-3479-01	TOP-P-SP-R	1
33	051-5806-01	IC (GPIS93)	1	75	750-3480-01	DR-LOCK-SP	1
34	051-5806-02	IC (GPIS95)	1	76	750-3483-00	EJECT-A-SPRING	1
35	060-0252-01	PHOTO-TR	4	77	750-3484-01	DR-BASE-SPRING	1
36	347-6657-01	LO-COVER SHEET	1	78	750-3485-01	TENSION-SP-L	1
37	620-1041-03	GEAR PLATE	1	79	750-3486-01	LO-TENSION-SP	1
38	620-1042-00	M-GEAR-H	1	80	750-3489-00	DRIVE-P-SPRING	1
39	620-1056-21	HLR-PLATE-L	1	81	750-3496-00	GAP-P-SPRING R	1
40	620-1580-00	HLR-PLATE-R	1	82	750-3497-00	GAP-P-SPRING L	1
41	620-1576-00	LO-MOTOR-PLT	1	83	750-6711-01	DU-STP-SPRING	1
42	620-1066-20	LOCK LINK-LR	1	84	750-6712-01	DR-LOCK-SP-B	1
				85	621-0651-22	LOAD GEAR-A	1
				86	347-6974-20	FPC COVER	1

Changer mechanism section 1/2





CD changer mechanism section : Drive unit



NO.	PART NO.	DESCRIPTION	Q'TY	NO.	PART NO.	DESCRIPTION	Q'TY
1	HBS-514-100	CLAMPER SUB ASSY	1	17	621-0670-20	LS-HOLDER-L	1
2	SMA-185-100	SPINDLE MOTOR ASSY	1	18	621-0673-00	D-GEAR A	1
3	SMA-184-100	SLED MOTOR ASSY	1	19	621-0674-00	D-GEAR B	1
4	HBS-515-101	LS-ASSY	1	20	621-0675-00	D-GEAR C	1
5	620-1587-00	SH-SP-PLT	1	21	621-0683-21	DU-STOPPER	1
6	966-0622-02	D-SHIFT-P-ASSY	1	22	716-3460-00	SCREW(M1.4x1.8)	2
7	969-0009-00	PICK UP-ASSY	1	23	716-3470-00	SCREW(M1.7x3)	5
8	013-7414-50	DETECT SWITCH	1	24	738-1722-17	PRECISION SCREW	2
9	039-2015-01	P/U-FPC	1	25	738-2025-17	PRECISION SCREW	2
10	039-2016-01	M/S-FPC	1	26	716-3474-00	SCREW(M1.7x3)	2
11	347-6632-00	PU-SHEET	1	27	743-1500-20	E-RING	1
12	620-1078-00	PUSH PLATE	1	28	750-3487-00	SHIFT-P-SPRING	1
13	620-1080-01	PU-GUIDE PLATE	1	29	750-3504-00	CLAMP-A-SPRING	1
14	620-1081-00	SCREW PUSH-PLT	1	30	966-0619-04	DRIVE PLT-ASSY	1
15	620-1082-02	SPRING PLATE	1	31	745-0807-00	WASHER	1
16	620-1588-00	SCREW-HOL-PLT	1	32	745-0808-00	WASHER	1



NO.	PART NO.	DESCRIPTION	Q'TY	NO.	PART NO.	DESCRIPTION	Q'TY
1	960-4294-22	DECK PLATE ASSY	1	25	611-0091-03	FLYWHEEL	2
2	960-4261-20	HEAD PLATE ASSY	1	26	613-0662-00	IDLER GEAR	2
3	960-4262-04	FF/REW-P ASSY	1	27	613-0286-03	FF/REW GEAR	2
4	960-4263-03	IDLER-P-ASSY L	1	28	613-0288-01	HELICAL GEAR	1
5	960-4264-03	IDLER-P-ASSY R	1	29	613-0289-01	GEAR A	1
6	960-4266-20	MODE PLATE ASSY	1	30	613-0337-00	POWER GEAR	1
7	960-4269-05	ROLLER ASSY F	1	31	630-2597-01	CHANGE LINK	1
8	960-4270-05	ROLLER ASSY R	1	32	630-2598-05	EJECT LINK	1
9	960-4348-03	REEL ASSY F	1	33	630-2600-01	ADJUST LINK	1
10	960-4349-03	REEL ASSY R	1	34	630-2601-02	MOTOR PLATE	1
11	960-4389-20	EJECT SUB ASSY	1	35	630-2626-06	PWB FRAME	1
11-1	750-3020-01	SWITCH PLATE SPRING	1	36	630-2642-01	GUIDE ARM	1
12	960-4338-09	BOTTOM SUB ASSY	1	37	631-1992-02	PACK STOPPER	1
12-1	960-4295-02	BOTTOM P-ASSY	1	38	631-1993-01	SLIDE BUSH	2
12-2	099-9926-01	BOTTOM PWB (WITHOUT COMPONENT)	1	39	716-0484-00	SCREW(M2x2.5)	13
12-3	013-3951-32	SWITCH(MODE)	1	40	716-1676-00	PWB SCREW(M2.6x6)	2
12-4	013-3953-01	SWITCH(METAL)	1	41	716-0833-10	SCREW(M2x5.6)	2
12-5	051-1776-00	IC	1	42	746-0624-00	WASHER	2
12-6	746-0767-00	WASHER	2	43	746-0724-00	WASHER	6
13	960-4282-06	DETECT SUB ASSY	1	44	746-0761-00	WASHER	2
14	960-4301-02	PLAY LINK ASSY	1	45	746-0762-00	WASHER	1
15	039-1912-01	SIDE PWB (WITHOUT COMPONENT)	1	46	750-2946-02	PINCH SPRING	1
16	039-1913-00	REAR PWB (WITHOUT COMPONENT)	1	47	750-2947-04	EJECT P-SPRING	1
17	SMA-168-100	MAIN MOTOR ASSY	1	48	750-2949-00	SLIDE SPRING	2
18	SMA-169-100	POWER MOTOR ASSY	1	49	750-3017-02	IDLER P-SPRING	1
19	011-0328-01	HEAD	1	50	074-0898-10	OUTLET SOCKET(10P)	1
20	602-0118-00	BELT	1	51	802-4906-60	WIRE(RED)	1
21	604-0046-00	TENSION PULLEY	1	52	806-4914-60	WIRE(BLUE)	1
22	606-0093-06	PACK GUIDE	1	53	816-2349-00	WIRE(WHITE)	1
23	610-0342-01	HEAD P-ROLLER	1	54	013-3906-00	SWITCH(TAPE IN)	1
24	610-0343-00	GUIDE A-ROLLER	1	55	074-1012-20	OUTLET SOCKET(20P)	1
				56	076-0368-10	PLUG(10P)	1