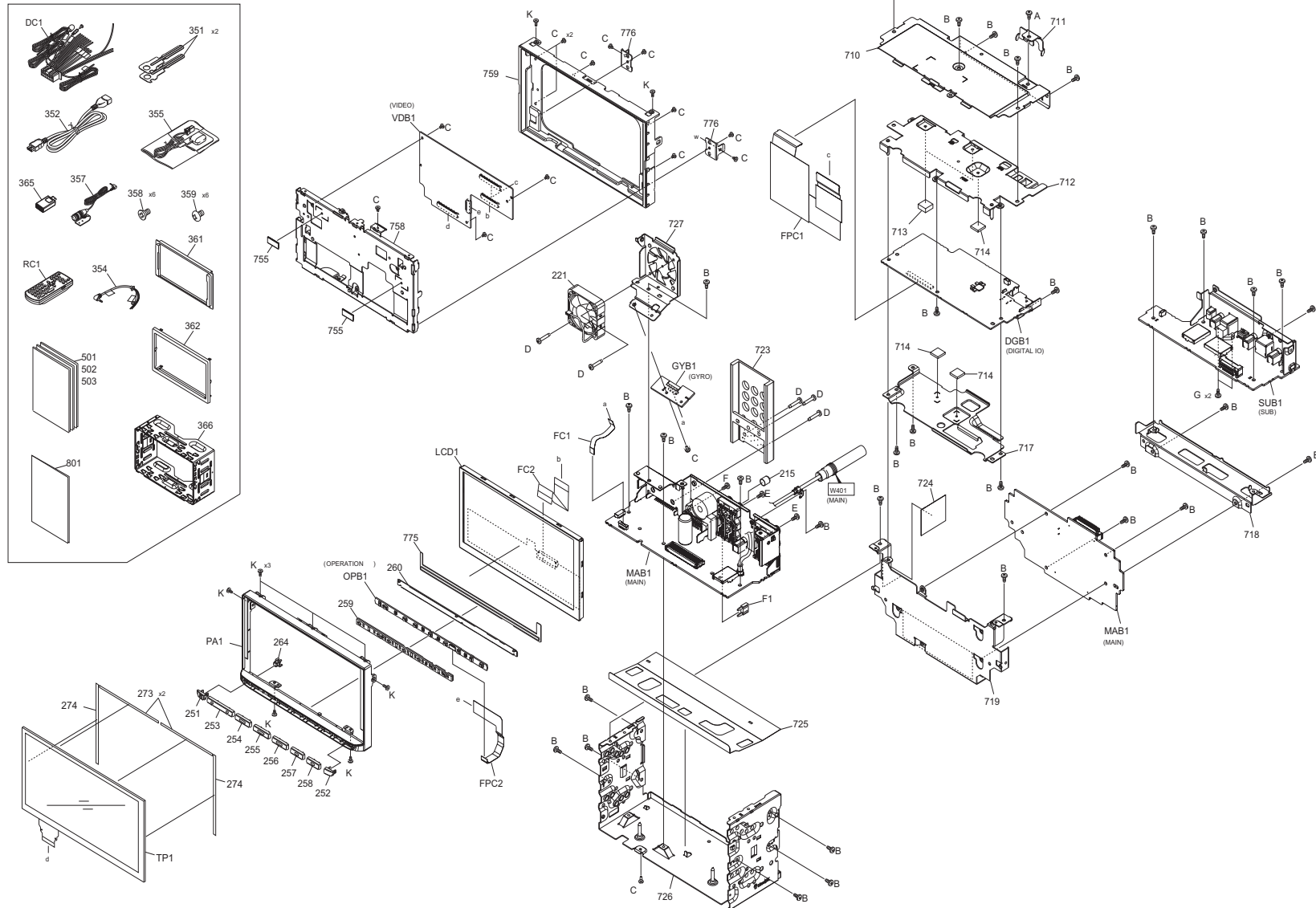


EXPLODED VIEW

Block No.M1MM



Parts with the exploded numbers larger than 700 are not supplied.

created date:2022-03-04

MODEL	MARK	MODEL	MARK	MODEL	MARK
DMX9021S	A1	DMX9021S	M1	DMX958XR	K0

Safe	Symbol No.	Parts No.	Parts Name	Description	QTY	Local
<b>EXPLODED VIEW &lt;M1MM&gt;</b>						
	DGB1	CB-XJA103M01N	DIGITAL IO PWB	XJA-103M-01	1	A1,M1
	DGB1	CB-XJA103K00N	DIGITAL IO PWB	XJA-103K-00	1	K0
	GYB1	CB-XJ5009J00N	GYRO PWB	XJ5-009J-00	1	
	MAB1	CB-XJ1346M01N	MAIN PWB	XJ1-346M-01	1	A1,M1
	MAB1	CB-XJ1346K00N	MAIN PWB	XJ1-346K-00	1	K0
	OPB1	CB-XJ7042K00N	OPERATION PWB	XJ7-042K-00	1	
	SUB1	CB-XJ4014M01N	SUB PWB	XJ4-014M-01	1	A1,M1
	SUB1	CB-XJ4014K00N	SUB PWB	XJ4-014K-00	1	K0
	VDB1	CB-XJ8044K01N	VIDEO PWB	XJ8-044K-01	1	
	FC1	E3G-0185-00	FFC WIRE		1	
	FC2	E3G-0068-00	FFC WIRE		1	
	FPC1	E3J-0071-00	FPC		1	
	FPC2	E3J-0031-00	FPC		1	
	DC1	E3A-0578-00	DC CORD		1	
	F1	FZB10AU-150	BLADE FUSE		1	
△	LCD1	B3H-0081-10	LCD ASSY		1	
	PA1	A6C-0128-0T	PANEL		1	A1,M1
	PA1	A6C-0128-0P	PANEL		1	K0
	RC1	A7A-0028-00	REMOTE CTL(IR)		1	A1,M1
	TP1	W0C-0322-00	TOUCH PANEL		1	
	A	QYSDST3006MA	TAP SCREW	M3.0 x 6.0mm	1	
	B	QYSDST2606ZA	TAP SCREW	M2.6 x 6.0mm	32	A1,M1
	B	QYSDST2606ZA	TAP SCREW	M2.6 x 6.0mm	33	K0
	C	QYSDST2005ZA	TAP SCREW	M2.0 x 5.0mm	15	
	D	QYSDST2614ZA	TAP SCREW	M2.6 x 14.0mm	5	
	E	QYSDSF2608ZA	TAP SCREW	M2.6 x 8.0mm	2	
	F	QYSPSG3008ZA	TAP SCREW	M3.0 x 8.0mm	1	
	G	QYSDSG3006ZA	TAP SCREW	M3.0 x 6.0mm	2	
	K	LV45701-003A	SPECIAL SCREW		9	
	215	F2K-0012-00	INS.COVER		1	
	221	F0K-0264-00	FAN		1	
	251	A2B-0103-02	DRESSING PANEL		1	
	252	A2B-0104-02	DRESSING PANEL		1	
	253	K2K-0235-00	KNOB ASSY		1	
	254	K2K-0236-18	KNOB ASSY		1	
	255	K2K-0237-01	KNOB ASSY		1	
	256	K2K-0238-11	KNOB ASSY		1	
	257	K2K-0239-11	KNOB ASSY		1	
	258	K2K-0240-05	KNOB ASSY		1	
	259	B1K-0071-00	LIGHTING BOARD		1	
	260	J1K-0419-10	HOLDER		1	
	264	B1A-0070-00	FRONT GLASS		1	
	273	F0K-0224-01	SHEET		2	
	274	F0K-0224-00	SHEET		2	
	351	D1A-0109-00	LEVER		2	K0
	352	E3A-0838-10	USB CORD		1	
	354	E3A-0613-00	CORD WITH PLUG		1	A1,M1
	355	T9A-0070-00	ANTENNA ASSY		1	
	357	T9B-0066-00	MICROPHONE		1	
	358	QYSSSP5008ZA	SCREW	M5.0 x 8.0mm	6	
	359	QYSTSP5008ZA	SCREW	M5.0 x 8.0mm	6	
	361	B9H-0018-00	ESCUTCHEON		1	A1,M1
	362	B9H-0001-00	ESCUTCHEON		1	M1,K0
	365	W0B-0258-00	ADAPTER		1	
	366	J2B-0508-00	MOUNTING ASSY		1	K0
	501	B5A-3824-00	INST.MANUAL		1	A1,M1
	502	B5A-3827-00	INST.MANUAL		1	A1
	502	B5A-3825-00	INST.MANUAL		1	M1
	503	B5A-3826-00	INST.MANUAL		1	M1
	710	-----	TOP PLATE	NO SERVICE PART	1	
	711	-----	COVER	NO SERVICE PART	1	
	712	-----	BRACKET ASSY	NO SERVICE PART	1	
	713	-----	COOL SHEET	NO SERVICE PART	2	
	714	-----	COOL SHEET	NO SERVICE PART	3	
	717	-----	SHIELDING CASE	NO SERVICE PART	1	
	718	-----	SUB CHASSIS	NO SERVICE PART	1	
	719	-----	BRACKET ASSY	NO SERVICE PART	1	
	723	-----	HEAT SINK	NO SERVICE PART	1	
	724	-----	INS.SHEET	NO SERVICE PART	1	
	725	-----	PROTECT SHEET	NO SERVICE PART	1	
	726	-----	CHASS.CALK.ASSY	NO SERVICE PART	1	
	727	-----	BRACKET	NO SERVICE PART	1	
	755	-----	CONDUCT CUSHION	NO SERVICE PART	2	
	758	-----	BRACKET	NO SERVICE PART	1	
	759	-----	SUB PANEL	NO SERVICE PART	1	
	775	-----	HOLDER ASSY	NO SERVICE PART	1	
	776	-----	BRACKET	NO SERVICE PART	2	
	801	-----	GUIDE BOOK	NO SERVICE PART	1	K0

MODEL	MARK	MODEL	MARK	MODEL	MARK
DMX9021S	A1	DMX9021S	M1	DMX958XR	K0

Safe	Symbol No.	Parts No.	Parts Name	Description	QTY	Local
<b>MAIN PWB ASSY (XJ1-346x-0x) &lt;XJ1&gt;</b>						
	IC40	NJU7108F3	MOS IC		1	
	IC101	JCV8031	ANALOG IC		1	
	IC102	NJM2746V	ANALOG IC		1	
	IC103	NJM2746V	ANALOG IC		1	
	IC104	S19212B50HS8U	MOS IC		1	
	IC105	MM3608A33NH	ANALOG IC		1	
	IC106	BD00FD0EHFP-M	ANALOG IC		1	
	IC107	TPS2H000AQWPQ	MOS IC		1	
	IC180	NJM2903CRB1	MOS IC		1	
	IC181	TC7SH126FUJC	MOS IC		1	
	IC190	NJU7108F3	MOS IC		1	
	IC201	TDA7715LV-1	ANALOG IC		1	
	IC202	NJM2794RB2	BIPOLAR IC		1	
	IC203	NJM8080RB1	ANALOG IC		1	
	IC204	NJM8080RB1	ANALOG IC		1	
	IC205	NJM8080RB1	ANALOG IC		1	
	IC206	NJM8080RB1	ANALOG IC		1	
	IC301	NJW1240V	MOS IC		1	
	IC302	NJM8080RB1	ANALOG IC		1	
	IC303	NJM8080RB1	ANALOG IC		1	
	IC401	SDP2012AHNV25	MOS IC	QFN	1	
	IC402	XC6223B331P-G	ANALOG IC		1	
	IC501	NJM2884U1-05	MOS IC		1	
	IC502	NJW1341VC3	MOS IC		1	
	IC1001	MP9843GL	MOS IC		1	
	IC1002	XC6223B331P-G	ANALOG IC		1	
	IC1401	-----	MCU IC	NO SERVICE PART	1	
	IC1402	NJU7108F3	MOS IC		1	
	IC1403	XC6120N282N-G	MOS IC		1	
	IC1404	TC7SH08FUJC	MOS IC		1	
	IC1501	AK7738VQ	MOS IC		1	
	IC1502	MM3608A33NH	ANALOG IC		1	
	IC1503	NJM2884U1-05	MOS IC		1	
	IC1505	PCM1754DBQ	ANALOG IC		1	
	IC1506	PCM1754DBQ	ANALOG IC		1	
	Q50	LSCR523EBFS8	TRANSISTOR		1	
	Q80	LSAR523EBFS8	TRANSISTOR		1	
	Q81	LSAR523EBFS8	TRANSISTOR		1	
	Q82	LSCR523EBFS8	TRANSISTOR		1	
	Q90	LSCR523EBFS8	TRANSISTOR		1	
	Q160	LSAR523EBFS8	TRANSISTOR		1	
	Q161	LSCR523EBFS8	TRANSISTOR		1	
	Q162	LSAR523EBFS8	TRANSISTOR		1	
	Q163	LSCR523EBFS8	TRANSISTOR		1	
	Q190	LTC044EEBFS8	DIGI TRANSISTOR		1	
	Q192	LTC014YEBFS8	DIGI TRANSISTOR		1	
	Q193	LTC014YEBFS8	DIGI TRANSISTOR		1	
	Q194	LTA014YEBFS8	DIGI TRANSISTOR		1	
	Q201	LTC043TEBFS8	DIGI TRANSISTOR		1	
	Q202	LTA043ZEBFS8	DIGI TRANSISTOR		1	
	Q203	LTC014YEBFS8	DIGI TRANSISTOR		1	
	Q204	LTC043TEBFS8	DIGI TRANSISTOR		1	
	Q205	LTC043TEBFS8	DIGI TRANSISTOR		1	
	Q206	LTC043TEBFS8	DIGI TRANSISTOR		1	
	Q207	LTC043TEBFS8	DIGI TRANSISTOR		1	
	Q208	LTA043ZEBFS8	DIGI TRANSISTOR		1	
	Q209	LTC014YEBFS8	DIGI TRANSISTOR		1	
	Q210	LTC043TEBFS8	DIGI TRANSISTOR		1	
	Q1401	RE1L002SN	FET		1	
	Q1402	LTC014YEBFS8	DIGI TRANSISTOR		1	
	Q1403	2SB1689	TRANSISTOR		1	
	Q1404	LTC014YEBFS8	DIGI TRANSISTOR		1	
	Q1405	LSAR523EBFS8	TRANSISTOR		1	
	Q1406	RE1L002SN	FET		1	
	Q1407	LTC014YEBFS8	DIGI TRANSISTOR		1	
	Q1408	LTC014YEBFS8	DIGI TRANSISTOR		1	
	Q1409	LTC044EEBFS8	DIGI TRANSISTOR		1	
	Q1410	LSAR523EBFS8	TRANSISTOR		1	
	Q1411	LTA014YEBFS8	DIGI TRANSISTOR		1	
	Q1412	LTC044EEBFS8	DIGI TRANSISTOR		1	
	Q1501	LTC014YEBFS8	DIGI TRANSISTOR		1	
	D1	D4F60-53	DIODE		1	
	D40	BZT52B16LSHF	ZENER DIODE		1	
	D50	BZT52B16LSHF	ZENER DIODE		1	
	D60	DAP202UM	DIODE		1	
	D70	BZT52B6V2LSHF	ZENER DIODE		1	
	D80	1SS355VM	DIODE		1	
	D91	BZT52B16LSHF	ZENER DIODE		1	
	D101	DAP202UM	DIODE		1	
	D102	RBR1MM60A	SCHOTTKY DIODE		1	
	D103	1SS355VM	DIODE		1	
	D104	1SS355VM	DIODE		1	
	D105	RBR1MM60A	SCHOTTKY DIODE		1	
	D106	RBR1MM60A	SCHOTTKY DIODE		1	
	D107	RBR1MM60A	SCHOTTKY DIODE		1	
	D108	RBR1MM60A	SCHOTTKY DIODE		1	
	D109	RBR1MM60A	SCHOTTKY DIODE		1	
	D110	RB161MM-20	SCHOTTKY DIODE		1	
	D160	1SS355VM	DIODE		1	
	D161	1SS355VM	DIODE		1	
	D190	BZT52B8V2LSHF	ZENER DIODE		1	

MODEL	MARK	MODEL	MARK	MODEL	MARK
DMX9021S	A1	DMX9021S	M1	DMX958XR	K0

Safe	Symbol No.	Parts No.	Parts Name	Description	QTY	Local
	D191	BZT52B10LSHF	ZENER DIODE		1	
	D192	BZT52B16LSHF	ZENER DIODE		1	
	D201	DAP202UM	DIODE		1	
	D202	DAP202UM	DIODE		1	
	D203	DAP202UM	DIODE		1	
	D204	1SS355VM	DIODE		1	
	D205	1SS355VM	DIODE		1	
	D206	BZT52B4V7LSHF	ZENER DIODE		1	
	D207	DAP202UM	DIODE		1	
	D208	DAP202UM	DIODE		1	
	D403	GS1J-LTP	DIODE		1	
	D1004	RB085BM-40	SCHOTTKY DIODE		1	
	D1401	1SS355VM	DIODE		1	
	D1502	DAN217WM	DIODE		1	
	C1	CK73JXR1H102K	C CAPACITOR	1000pF 50V K	1	
	C2	CK73JXR1H102K	C CAPACITOR	1000pF 50V K	1	
	C3	CC73JCH1H221J	C CAPACITOR	220pF 50V J	1	
	C4	CC73JCH1H221J	C CAPACITOR	220pF 50V J	1	
	C5	CK73JXR1H102K	C CAPACITOR	1000pF 50V K	1	
	C6	CK73JXR1H102K	C CAPACITOR	1000pF 50V K	1	
	C7	CC73JCH1H221J	C CAPACITOR	220pF 50V J	1	
	C8	CC73JCH1H221J	C CAPACITOR	220pF 50V J	1	
	C9	CK73JXR1H102K	C CAPACITOR	1000pF 50V K	1	
	C10	CK73JXR1H102K	C CAPACITOR	1000pF 50V K	1	
	C11	CC73JCH1H221J	C CAPACITOR	220pF 50V J	1	
	C12	CC73JCH1H221J	C CAPACITOR	220pF 50V J	1	
	C13	CK73JXR1H102K	C CAPACITOR	1000pF 50V K	1	
	C14	CK73JXR1H102K	C CAPACITOR	1000pF 50V K	1	
	C15	CC73JCH1H221J	C CAPACITOR	220pF 50V J	1	
	C16	CC73JCH1H221J	C CAPACITOR	220pF 50V J	1	
	C21	CK730MF2W104K	C CAPACITOR	0.1uF 450V K	1	A1,M1
	C23	CD04EW1C332M2	E CAPACITOR	3300uF 16V M	1	
	C40	CK73JXR1H103K	C CAPACITOR	0.01uF 50V K	1	
	C41	CK73JXR1H103K	C CAPACITOR	0.01uF 50V K	1	
	C50	CK73JXR1H103K	C CAPACITOR	0.01uF 50V K	1	
	C51	CK73HXR1C105K	C CAPACITOR	1uF 16V K	1	
	C60	CK73HXR1H104K	C CAPACITOR	0.1uF 50V K	1	
	C81	CK73GXR1E225K	C CAPACITOR	2.2uF 25V K	1	
	C90	CK73JXR1H103K	C CAPACITOR	0.01uF 50V K	1	
	C102	CK73HXR1C105K	C CAPACITOR	1uF 16V K	1	
	C104	CE32CB1C100M	E CAPACITOR	10uF 16V M	1	
	C105	CK73HXR1E474K	C CAPACITOR	0.47uF 25V K	1	
	C106	CK73HXR1E474K	C CAPACITOR	0.47uF 25V K	1	
	C107	CK73HXR1C105K	C CAPACITOR	1uF 16V K	1	
	C108	CK73HXR1E474K	C CAPACITOR	0.47uF 25V K	1	
	C109	CK73HXR1E474K	C CAPACITOR	0.47uF 25V K	1	
	C110	CK73HXR1E474K	C CAPACITOR	0.47uF 25V K	1	
	C111	CK73HXR1E474K	C CAPACITOR	0.47uF 25V K	1	
	C112	CK73HXR1E474K	C CAPACITOR	0.47uF 25V K	1	
	C113	CK73HXR1E474K	C CAPACITOR	0.47uF 25V K	1	
	C114	CK73HXR1E474K	C CAPACITOR	0.47uF 25V K	1	
	C115	CK73HXR1E474K	C CAPACITOR	0.47uF 25V K	1	
	C116	CC73JCH1H030C	C CAPACITOR	3pF 50V C	1	
	C117	CK73FXR1E106K	C CAPACITOR	10uF 25V K	1	
	C118	CK73FXR1E106K	C CAPACITOR	10uF 25V K	1	
	C119	CK73GXR1A106K	C CAPACITOR	10uF 10V K	1	
	C120	CK73GXR1A106K	C CAPACITOR	10uF 10V K	1	
	C121	CK73JXR1C104K	C CAPACITOR	0.1uF 16V K	1	
	C122	CE32BM1C221M	E CAPACITOR	220uF 16V M	1	
	C123	CE32BM1C221M	E CAPACITOR	220uF 16V M	1	
	C124	CE32BM1C221M	E CAPACITOR	220uF 16V M	1	
	C125	CE32BM1C221M	E CAPACITOR	220uF 16V M	1	
	C126	CK73GXR1A106K	C CAPACITOR	10uF 10V K	1	
	C127	CK73FXR0J226M	C CAPACITOR	22uF 6.3V M	1	
	C128	CK73JXR1C104K	C CAPACITOR	0.1uF 16V K	1	
	C129	CK73FXR1H475K	C CAPACITOR	4.7uF 50V K	1	
	C131	CE32BJ1C470M	E CAPACITOR	47uF 16V M	1	
	C133	CK73HXR1H104K	C CAPACITOR	0.1uF 50V K	1	
	C134	CK73HXR1H104K	C CAPACITOR	0.1uF 50V K	1	
	C160	CC73JCH1H101J	C CAPACITOR	100pF 50V J	1	
	C180	CK73JXR1H472K	C CAPACITOR	4700pF 50V K	1	
	C181	CK73JXR1H472K	C CAPACITOR	4700pF 50V K	1	
	C182	CK73JXR1H103K	C CAPACITOR	0.01uF 50V K	1	
	C183	CK73JXR1H103K	C CAPACITOR	0.01uF 50V K	1	
	C190	CK73JXR1H103K	C CAPACITOR	0.01uF 50V K	1	
	C201	CE32BJ1C470M	E CAPACITOR	47uF 16V M	1	
	C204	CK73HXR1C105K	C CAPACITOR	1uF 16V K	1	
	C205	CK73HXR1C105K	C CAPACITOR	1uF 16V K	1	
	C206	CK73HXR1C105K	C CAPACITOR	1uF 16V K	1	
	C207	CK73HXR1C105K	C CAPACITOR	1uF 16V K	1	
	C208	CK73HXR1C105K	C CAPACITOR	1uF 16V K	1	
	C209	CB73QAD1C106M	F CAPACITOR	10uF 16V M	1	
	C210	CK73JXR1H103K	C CAPACITOR	0.01uF 50V K	1	
	C212	CK73JXR1C104K	C CAPACITOR	0.1uF 16V K	1	
	C213	CK73JXR1H103K	C CAPACITOR	0.01uF 50V K	1	
	C215	CK73HXR1C105K	C CAPACITOR	1uF 16V K	1	
	C216	CK73HXR1C105K	C CAPACITOR	1uF 16V K	1	
	C218	CK73JXR1C104K	C CAPACITOR	0.1uF 16V K	1	
	C219	CK73GXR1C475K	C CAPACITOR	4.7uF 16V K	1	
	C220	CK73GXR1C475K	C CAPACITOR	4.7uF 16V K	1	
	C221	CK73HXR1C105K	C CAPACITOR	1uF 16V K	1	
	C222	CK73HXR1C105K	C CAPACITOR	1uF 16V K	1	

MODEL	MARK	MODEL	MARK	MODEL	MARK
DMX9021S	A1	DMX9021S	M1	DMX958XR	K0

Safe	Symbol No.	Parts No.	Parts Name	Description	QTY	Local
	C224	CB73QAD1C106M	F CAPACITOR	10uF 16V M	1	
	C226	CB73QAD1C106M	F CAPACITOR	10uF 16V M	1	
	C227	CK73GXR1C475K	C CAPACITOR	4.7uF 16V K	1	
	C228	CK73GXR1C475K	C CAPACITOR	4.7uF 16V K	1	
	C229	CK73GXR1C475K	C CAPACITOR	4.7uF 16V K	1	
	C230	CK73GXR1C475K	C CAPACITOR	4.7uF 16V K	1	
	C231	CK73HXR1C105K	C CAPACITOR	1uF 16V K	1	
	C232	CK73HXR1C105K	C CAPACITOR	1uF 16V K	1	
	C233	CK73HXR1C105K	C CAPACITOR	1uF 16V K	1	
	C234	CK73HXR1C105K	C CAPACITOR	1uF 16V K	1	
	C235	CK73GXR1E225K	C CAPACITOR	2.2uF 25V K	1	
	C236	CK73GXR1E225K	C CAPACITOR	2.2uF 25V K	1	
	C237	CC73JCH1H100D	C CAPACITOR	10pF 50V D	1	
	C238	CC73JCH1H100D	C CAPACITOR	10pF 50V D	1	
	C239	CC73JCH1H100D	C CAPACITOR	10pF 50V D	1	
	C240	CC73JCH1H100D	C CAPACITOR	10pF 50V D	1	
	C241	CK73FXR1E106K	C CAPACITOR	10uF 25V K	1	
	C242	CK73JXR1H103K	C CAPACITOR	0.01uF 50V K	1	
	C243	CK73FXR1E106K	C CAPACITOR	10uF 25V K	1	
	C244	CK73FXR1E106K	C CAPACITOR	10uF 25V K	1	
	C245	CK73FXR1E106K	C CAPACITOR	10uF 25V K	1	
	C246	CK73JXR1C104K	C CAPACITOR	0.1uF 16V K	1	
	C250	CK73JXR1C104K	C CAPACITOR	0.1uF 16V K	1	
	C251	CK73JXR1C224K	C CAPACITOR	0.22uF 16V K	1	
	C252	CC73JCH1H100D	C CAPACITOR	10pF 50V D	1	
	C253	CC73JCH1H100D	C CAPACITOR	10pF 50V D	1	
	C254	CK73HXR1C105K	C CAPACITOR	1uF 16V K	1	
	C255	CK73HXR1C105K	C CAPACITOR	1uF 16V K	1	
	C256	CE32CB1C100M	E CAPACITOR	10uF 16V M	1	
	C259	CE32CB1C100M	E CAPACITOR	10uF 16V M	1	
	C260	CK73EXR1E106K	C CAPACITOR	10uF 25V K	1	
	C263	CK73EXR1E106K	C CAPACITOR	10uF 25V K	1	
	C264	CK73EXR1E106K	C CAPACITOR	10uF 25V K	1	
	C267	CK73EXR1E106K	C CAPACITOR	10uF 25V K	1	
	C301	CE32CB1C100M	E CAPACITOR	10uF 16V M	1	
	C302	CK73EXR1E106K	C CAPACITOR	10uF 25V K	1	
	C303	CK73EXR1E106K	C CAPACITOR	10uF 25V K	1	
	C304	CK73EXR1E106K	C CAPACITOR	10uF 25V K	1	
	C305	CK73EXR1E106K	C CAPACITOR	10uF 25V K	1	
	C306	CE32CB1C100M	E CAPACITOR	10uF 16V M	1	
	C307	CK73FXR1E106K	C CAPACITOR	10uF 25V K	1	
	C308	CK73JXR1C104K	C CAPACITOR	0.1uF 16V K	1	
	C309	CK73HXR1C105K	C CAPACITOR	1uF 16V K	1	
	C310	CK73JXR1H102K	C CAPACITOR	1000pF 50V K	1	
	C311	CK73HXR1C105K	C CAPACITOR	1uF 16V K	1	
	C312	CK73HXR1C105K	C CAPACITOR	1uF 16V K	1	
	C313	CK73HXR1C105K	C CAPACITOR	1uF 16V K	1	
	C314	CK73HXR1C105K	C CAPACITOR	1uF 16V K	1	
	C315	CK73JXR1C104K	C CAPACITOR	0.1uF 16V K	1	
	C316	CK73JXR1H102K	C CAPACITOR	1000pF 50V K	1	
	C317	CK73JXR1H102K	C CAPACITOR	1000pF 50V K	1	
	C318	CK73JXR1H102K	C CAPACITOR	1000pF 50V K	1	
	C319	CK73JXR1H102K	C CAPACITOR	1000pF 50V K	1	
	C320	CK73JXR1H102K	C CAPACITOR	1000pF 50V K	1	
	C321	CK73JXR1H102K	C CAPACITOR	1000pF 50V K	1	
	C328	CK73JXR1C104K	C CAPACITOR	0.1uF 16V K	1	
	C329	CK73JXR1H102K	C CAPACITOR	1000pF 50V K	1	
	C330	CK73JXR1H102K	C CAPACITOR	1000pF 50V K	1	
	C331	CC73JCH1H181J	C CAPACITOR	180pF 50V J	1	
	C332	CC73JCH1H181J	C CAPACITOR	180pF 50V J	1	
	C333	CK73GXR1E225K	C CAPACITOR	2.2uF 25V K	1	
	C334	CC73JCH1E331J	C CAPACITOR	330pF 25V J	1	
	C335	CK73GXR1E225K	C CAPACITOR	2.2uF 25V K	1	
	C336	CK73FXR1C106K	C CAPACITOR	10uF 16V K	1	
	C337	CK73GXR1E225K	C CAPACITOR	2.2uF 25V K	1	
	C338	CC73JCH1E331J	C CAPACITOR	330pF 25V J	1	
	C339	CK73GXR1E225K	C CAPACITOR	2.2uF 25V K	1	
	C340	CK73HXR1C105K	C CAPACITOR	1uF 16V K	1	
	C341	CK73GXR1A106K	C CAPACITOR	10uF 10V K	1	
	C342	CC73JCH1H181J	C CAPACITOR	180pF 50V J	1	
	C343	CC73JCH1H181J	C CAPACITOR	180pF 50V J	1	
	C402	CC73JCH1H220J	C CAPACITOR	22pF 50V J	1	
	C404	CC73JCH1H220J	C CAPACITOR	22pF 50V J	1	
	C406	CC73JCH1H151J	C CAPACITOR	150pF 50V J	1	
	C408	CC73JCH1E102J	C CAPACITOR	1000pF 25V J	1	
	C412	CC73JCH1H010C	C CAPACITOR	1pF 50V C	1	
	C413	CK73JXR1A104K	C CAPACITOR	0.1uF 10V K	1	
	C414	CC73JCH1H090C	C CAPACITOR	9pF 50V C	1	
	C416	CK73JXR1A104K	C CAPACITOR	0.1uF 10V K	1	
	C417	CK73JXR1C224K	C CAPACITOR	0.22uF 16V K	1	
	C418	CC73JCH1E102J	C CAPACITOR	1000pF 25V J	1	
	C419	CK73JXR1H103K	C CAPACITOR	0.01uF 50V K	1	
	C420	CK73JXR1A104K	C CAPACITOR	0.1uF 10V K	1	
	C421	CC73JCH1E102J	C CAPACITOR	1000pF 25V J	1	
	C422	CK73JXR1H152K	C CAPACITOR	1500pF 50V K	1	
	C423	CK73FXR1C106K	C CAPACITOR	10uF 16V K	1	
	C424	CK73FXR1C106K	C CAPACITOR	10uF 16V K	1	
	C427	CK73JXR1A104K	C CAPACITOR	0.1uF 10V K	1	
	C428	CK73GXR1A106K	C CAPACITOR	10uF 10V K	1	
	C429	CK73JXR1A104K	C CAPACITOR	0.1uF 10V K	1	
	C430	CK73JXR1H102K	C CAPACITOR	1000pF 50V K	1	
	C431	CK73JXR1A104K	C CAPACITOR	0.1uF 10V K	1	
	C432	CK73GXR1E225K	C CAPACITOR	2.2uF 25V K	1	

MODEL	MARK	MODEL	MARK	MODEL	MARK
DMX9021S	A1	DMX9021S	M1	DMX958XR	K0

Safe	Symbol No.	Parts No.	Parts Name	Description	QTY	Local
	C433	CK73JXR1H222K	C CAPACITOR	2200pF 50V K	1	
	C505	CK73FXR1C106K	C CAPACITOR	10uF 16V K	1	
	C506	CK73JCH1H470J	C CAPACITOR	47pF 50V J	1	
	C509	CK73HXR1C105K	C CAPACITOR	1uF 16V K	1	
	C510	CK73HXR1C105K	C CAPACITOR	1uF 16V K	1	
	C511	CK73HXR1C105K	C CAPACITOR	1uF 16V K	1	
	C512	CK73HXR1C105K	C CAPACITOR	1uF 16V K	1	
	C513	CK73HXR1C105K	C CAPACITOR	1uF 16V K	1	
	C514	CK73HXR1C105K	C CAPACITOR	1uF 16V K	1	
	C515	CK73HXR1C105K	C CAPACITOR	1uF 16V K	1	
	C517	CK73HXR1C105K	C CAPACITOR	1uF 16V K	1	
	C518	CK73JCH1H470J	C CAPACITOR	47pF 50V J	1	
	C520	CK73GXR1A106K	C CAPACITOR	10uF 10V K	1	
	C521	CK73HXR1C105K	C CAPACITOR	1uF 16V K	1	
	C523	CK73HXR1C105K	C CAPACITOR	1uF 16V K	1	
	C524	CK73JXR1C104K	C CAPACITOR	0.1uF 16V K	1	
	C526	CK73HXR1C105K	C CAPACITOR	1uF 16V K	1	
	C527	CE32BJ1C470M	E CAPACITOR	47uF 16V M	1	
	C528	CK73JXR1C104K	C CAPACITOR	0.1uF 16V K	1	
	C1005	CD040CP1C222M	E CAPACITOR	2200uF 16V M	1	
	C1007	CK73FXR1H475K	C CAPACITOR	4.7uF 50V K	1	
	C1008	CK73FXR1H475K	C CAPACITOR	4.7uF 50V K	1	
	C1009	CK73FXR1H475K	C CAPACITOR	4.7uF 50V K	1	
	C1010	CK73FXR1H475K	C CAPACITOR	4.7uF 50V K	1	
	C1011	CK73HXR1H104K	C CAPACITOR	0.1uF 50V K	1	
	C1012	CK73HXR1H104K	C CAPACITOR	0.1uF 50V K	1	
	C1013	CK73JXR1H472K	C CAPACITOR	4700pF 50V K	1	
	C1014	CK73JXR1C104K	C CAPACITOR	0.1uF 16V K	1	
	C1015	CK73JCH1H470J	C CAPACITOR	47pF 50V J	1	
	C1016	CK73HXR1C105K	C CAPACITOR	1uF 16V K	1	
	C1017	CK73JXR1C104K	C CAPACITOR	0.1uF 16V K	1	
	C1018	CK73JXR1C104K	C CAPACITOR	0.1uF 16V K	1	
	C1019	CK73GXR1A106K	C CAPACITOR	10uF 10V K	1	
	C1020	CK73GXR1A106K	C CAPACITOR	10uF 10V K	1	
	C1021	CK73GXR1A106K	C CAPACITOR	10uF 10V K	1	
	C1022	CK73GXR1A106K	C CAPACITOR	10uF 10V K	1	
	C1026	CK73HXR1C105K	C CAPACITOR	1uF 16V K	1	
	C1027	CK73GXR1E225K	C CAPACITOR	2.2uF 25V K	1	
	C1101	CK73JXR1H222K	C CAPACITOR	2200pF 50V K	1	
	C1102	CK73JCH1H221J	C CAPACITOR	220pF 50V J	1	
	C1201	CK73JXR1H222K	C CAPACITOR	2200pF 50V K	1	
	C1202	CK73JCH1H221J	C CAPACITOR	220pF 50V J	1	
	C1401	CK73JCH1H100D	C CAPACITOR	10pF 50V D	1	
	C1403	CK73JXR1A104K	C CAPACITOR	0.1uF 10V K	1	
	C1404	CK73JXR1A104K	C CAPACITOR	0.1uF 10V K	1	
	C1405	CK73JCH1H100D	C CAPACITOR	10pF 50V D	1	
	C1406	CK73JXR1A104K	C CAPACITOR	0.1uF 10V K	1	
	C1407	CK73JXR1H222K	C CAPACITOR	2200pF 50V K	1	
	C1408	CK73GXR0J106M	C CAPACITOR	10uF 6.3V M	1	
	C1409	CE32CC1C221M	E CAPACITOR	220uF 16V M	1	
	C1410	CE32CC1C221M	E CAPACITOR	220uF 16V M	1	
	C1413	CK73JXR1H103K	C CAPACITOR	0.01uF 50V K	1	
	C1414	CK73JXR1H103K	C CAPACITOR	0.01uF 50V K	1	
	C1416	CK73JXR1A104K	C CAPACITOR	0.1uF 10V K	1	
	C1417	CK73JXR1H103K	C CAPACITOR	0.01uF 50V K	1	
	C1418	CK73JXR1A104K	C CAPACITOR	0.1uF 10V K	1	
	C1419	CK73JXR1A104K	C CAPACITOR	0.1uF 10V K	1	
	C1420	CK73JXR1A104K	C CAPACITOR	0.1uF 10V K	1	
	C1421	CE32CC0J331M	E CAPACITOR	330uF 6.3V M	1	
	C1429	CK73JXR1H103K	C CAPACITOR	0.01uF 50V K	1	
	C1430	CK73JXR1A104K	C CAPACITOR	0.1uF 10V K	1	
	C1431	CK73HXR1C105K	C CAPACITOR	1uF 16V K	1	
	C1432	CK73JXR1A104K	C CAPACITOR	0.1uF 10V K	1	
	C1433	CK73JXR1A104K	C CAPACITOR	0.1uF 10V K	1	
	C1434	CK73JXR1A104K	C CAPACITOR	0.1uF 10V K	1	
	C1435	CK73JXR1H103K	C CAPACITOR	0.01uF 50V K	1	
	C1437	CK73JCH1H101J	C CAPACITOR	100pF 50V J	1	
	C1504	CK73JXR1A104K	C CAPACITOR	0.1uF 10V K	1	
	C1505	CK73GXR1A106K	C CAPACITOR	10uF 10V K	1	
	C1506	CK73GXR1E225K	C CAPACITOR	2.2uF 25V K	1	
	C1507	CK73GXR1A106K	C CAPACITOR	10uF 10V K	1	
	C1508	CK73JXR1A104K	C CAPACITOR	0.1uF 10V K	1	
	C1509	CK73GXR0J106M	C CAPACITOR	10uF 6.3V M	1	
	C1511	CK73HXR1C105K	C CAPACITOR	1uF 16V K	1	
	C1513	CK73JXR1A104K	C CAPACITOR	0.1uF 10V K	1	
	C1514	CK73JXR1A104K	C CAPACITOR	0.1uF 10V K	1	
	C1515	CK73GXR1A106K	C CAPACITOR	10uF 10V K	1	
	C1516	CK73JXR1A104K	C CAPACITOR	0.1uF 10V K	1	
	C1517	CK73GXR1E225K	C CAPACITOR	2.2uF 25V K	1	
	C1518	CK73GXR1A106K	C CAPACITOR	10uF 10V K	1	
	C1519	CK73JXR1A104K	C CAPACITOR	0.1uF 10V K	1	
	C1520	CK73JXR1A104K	C CAPACITOR	0.1uF 10V K	1	
	C1521	CK73GXR1A106K	C CAPACITOR	10uF 10V K	1	
	C1522	CK73JXR1A104K	C CAPACITOR	0.1uF 10V K	1	
	C1523	CK73GXR1A106K	C CAPACITOR	10uF 10V K	1	
	C1524	CK73HXR1H222K	C CAPACITOR	2200pF 50V K	1	
	C1525	CK73HXR1H222K	C CAPACITOR	2200pF 50V K	1	
	C1526	CK73HXR1H222K	C CAPACITOR	2200pF 50V K	1	
	C1527	CK73HXR1H222K	C CAPACITOR	2200pF 50V K	1	
	C1528	CK73HXR1H222K	C CAPACITOR	2200pF 50V K	1	
	C1529	CK73HXR1H222K	C CAPACITOR	2200pF 50V K	1	
	C1530	CK73HXR1H222K	C CAPACITOR	2200pF 50V K	1	

MODEL	MARK	MODEL	MARK	MODEL	MARK
DMX9021S	A1	DMX9021S	M1	DMX958XR	K0

Safe	Symbol No.	Parts No.	Parts Name	Description	QTY	Local
	C1531	CK73HXR1H222K	C CAPACITOR	2200pF 50V K	1	
	C1532	CC73JCH1H120J	C CAPACITOR	12pF 50V J	1	
	C1533	CC73JCH1H120J	C CAPACITOR	12pF 50V J	1	
	C1534	CK73GXR1E225K	C CAPACITOR	2.2uF 25V K	1	
	C1535	CK73GXR1E225K	C CAPACITOR	2.2uF 25V K	1	
	C1539	CK73GXR1E225K	C CAPACITOR	2.2uF 25V K	1	
	C1540	CK73HXR1C105K	C CAPACITOR	1uF 16V K	1	
	C1542	CK73JXR1H222K	C CAPACITOR	2200pF 50V K	1	
	C1543	CC73JCH1H221J	C CAPACITOR	220pF 50V J	1	
	C1549	CK73JXR1A104K	C CAPACITOR	0.1uF 10V K	1	
	C1550	CK73GXR0J106M	C CAPACITOR	10uF 6.3V M	1	
	C1551	CK73GXR1A106K	C CAPACITOR	10uF 10V K	1	
	C1552	CK73JXR1H472K	C CAPACITOR	4700pF 50V K	1	
	C1553	CK73JXR1H472K	C CAPACITOR	4700pF 50V K	1	
	C1554	CK73JXR1H472K	C CAPACITOR	4700pF 50V K	1	
	C1555	CK73JXR1H472K	C CAPACITOR	4700pF 50V K	1	
	C1557	CK73HXR1H104K	C CAPACITOR	0.1uF 50V K	1	
	C1560	CK73JXR1A104K	C CAPACITOR	0.1uF 10V K	1	
	C1561	CK73GXR0J106M	C CAPACITOR	10uF 6.3V M	1	
	C1562	CK73GXR1A106K	C CAPACITOR	10uF 10V K	1	
	C1563	CK73JXR1H222K	C CAPACITOR	2200pF 50V K	1	
	C1564	CK73JXR1H222K	C CAPACITOR	2200pF 50V K	1	
	C1565	CK73JXR1H222K	C CAPACITOR	2200pF 50V K	1	
	C1566	CK73JXR1H222K	C CAPACITOR	2200pF 50V K	1	
	R40	RK73EB2E153J	MG RESISTOR	15kΩ 1/4W J	1	
	R41	RK73EB2E622J	MG RESISTOR	6.2kΩ 1/4W J	1	
	R42	RK73EB2E622J	MG RESISTOR	6.2kΩ 1/4W J	1	
	R43	RK73GH2A333D	MG RESISTOR	33kΩ 1/10W D	1	
	R44	RK73HH1J113D	MG RESISTOR	11kΩ 1/16W D	1	
	R45	RK73HH1J104D	MG RESISTOR	100kΩ 1/16W D	1	
	R46	RK73HH1J563D	MG RESISTOR	56kΩ 1/16W D	1	
	R47	RK73HH1J474D	MG RESISTOR	470kΩ 1/16W D	1	
	R48	RK73HB1J273J	MG RESISTOR	27kΩ 1/16W J	1	
	R49	RK73HB1J473J	MG RESISTOR	47kΩ 1/16W J	1	
	R50	RK73GB2A472J	MG RESISTOR	4.7kΩ 1/10W J	1	
	R51	RK73GB2A472J	MG RESISTOR	4.7kΩ 1/10W J	1	
	R52	RK73GB2A223J	MG RESISTOR	22kΩ 1/10W J	1	
	R53	RK73HB1J333J	MG RESISTOR	33kΩ 1/16W J	1	
	R54	RK73HB1J223J	MG RESISTOR	22kΩ 1/16W J	1	
	R61	RK73HB1J103J	MG RESISTOR	10kΩ 1/16W J	1	
	R62	RK73HB1J683J	MG RESISTOR	68kΩ 1/16W J	1	
	R63	RK73HB1J123J	MG RESISTOR	12kΩ 1/16W J	1	
	R70	RK73GB2A152J	MG RESISTOR	1.5kΩ 1/10W J	1	
	R80	RK73FB2B511J	MG RESISTOR	510Ω 1/8W J	1	
	R81	RK73HB1J472J	MG RESISTOR	4.7kΩ 1/16W J	1	
	R82	RK73HB1J223J	MG RESISTOR	22kΩ 1/16W J	1	
	R83	RK73HB1J471J	MG RESISTOR	470Ω 1/16W J	1	
	R84	RK73HB1J473J	MG RESISTOR	47kΩ 1/16W J	1	
	R85	RK73HB1J473J	MG RESISTOR	47kΩ 1/16W J	1	
	R86	RK73HB1J472J	MG RESISTOR	4.7kΩ 1/16W J	1	
	R90	RK73GB2A153J	MG RESISTOR	15kΩ 1/10W J	1	
	R91	RK73HB1J332J	MG RESISTOR	3.3kΩ 1/16W J	1	
	R92	RK73HB1J101J	MG RESISTOR	100Ω 1/16W J	1	
	R93	RK73HB1J473J	MG RESISTOR	47kΩ 1/16W J	1	
	R96	RK73HB1J103J	MG RESISTOR	10kΩ 1/16W J	1	
	R97	RK73HB1J101J	MG RESISTOR	100Ω 1/16W J	1	
	R98	RK73HB1J472J	MG RESISTOR	4.7kΩ 1/16W J	1	
	R99	RK73HB1J472J	MG RESISTOR	4.7kΩ 1/16W J	1	
	R101	RK73HB1J473J	MG RESISTOR	47kΩ 1/16W J	1	
	R102	RK73HB1J333J	MG RESISTOR	33kΩ 1/16W J	1	
	R103	RK73HB1J1R0J	MG RESISTOR	1.0Ω 1/16W J	1	
	R104	RK73HH1J160D	MG RESISTOR	16Ω 1/16W D	1	
	R105	RK73HB1J432J	MG RESISTOR	4.3kΩ 1/16W J	1	
	R106	RK73HB1J223J	MG RESISTOR	22kΩ 1/16W J	1	
	R107	RK73HB1J331J	MG RESISTOR	330Ω 1/16W J	1	
	R109	RK73HB1J473J	MG RESISTOR	47kΩ 1/16W J	1	
	R110	RK73HH1J680D	MG RESISTOR	68Ω 1/16W D	1	
	R111	RK73HH1J680D	MG RESISTOR	68Ω 1/16W D	1	
	R112	RK73HH1J680D	MG RESISTOR	68Ω 1/16W D	1	
	R113	RK73HH1J680D	MG RESISTOR	68Ω 1/16W D	1	
	R115	RK73HH1J680D	MG RESISTOR	68Ω 1/16W D	1	
	R116	RK73HH1J680D	MG RESISTOR	68Ω 1/16W D	1	
	R119	RK73HH1J680D	MG RESISTOR	68Ω 1/16W D	1	
	R120	RK73HH1J680D	MG RESISTOR	68Ω 1/16W D	1	
	R122	RK73GB2A472J	MG RESISTOR	4.7kΩ 1/10W J	1	
	R123	RK73HH1J113D	MG RESISTOR	11kΩ 1/16W D	1	
	R124	RK73HH1J473D	MG RESISTOR	47kΩ 1/16W D	1	
	R125	RK73HH1J562D	MG RESISTOR	5.6kΩ 1/16W D	1	
	R126	RK73HH1J181D	MG RESISTOR	180Ω 1/16W D	1	
	R127	RK73HB1J103J	MG RESISTOR	10kΩ 1/16W J	1	
	R128	RK73HB1J103J	MG RESISTOR	10kΩ 1/16W J	1	
	R129	RK73HH1J331D	MG RESISTOR	330Ω 1/16W D	1	
	R131	RK73EB2E472J	MG RESISTOR	4.7kΩ 1/4W J	1	
	R132	RK73EB2E472J	MG RESISTOR	4.7kΩ 1/4W J	1	
	R160	RK73HB1J182J	MG RESISTOR	1.8kΩ 1/16W J	1	
	R161	RK73GB2A111J	MG RESISTOR	110Ω 1/10W J	1	
	R162	RK73HB1J103J	MG RESISTOR	10kΩ 1/16W J	1	
	R163	RK73HB1J243J	MG RESISTOR	24kΩ 1/16W J	1	
	R164	RK73HB1J472J	MG RESISTOR	4.7kΩ 1/16W J	1	
	R165	RK73HB1J472J	MG RESISTOR	4.7kΩ 1/16W J	1	
	R166	RK73HB1J103J	MG RESISTOR	10kΩ 1/16W J	1	
	R167	RK73HB1J472J	MG RESISTOR	4.7kΩ 1/16W J	1	

MODEL	MARK	MODEL	MARK	MODEL	MARK
DMX9021S	A1	DMX9021S	M1	DMX958XR	K0

Safe	Symbol No.	Parts No.	Parts Name	Description	QTY	Local
	R168	RK73HB1J473J	MG RESISTOR	47kΩ 1/16W J	1	
	R169	RK73HB1J473J	MG RESISTOR	47kΩ 1/16W J	1	
	R170	RK73HB1J223J	MG RESISTOR	22kΩ 1/16W J	1	
	R180	RK73GB2A103J	MG RESISTOR	10kΩ 1/10W J	1	
	R181	RK73GB2A103J	MG RESISTOR	10kΩ 1/10W J	1	
	R182	RK73HB1J222J	MG RESISTOR	2.2kΩ 1/16W J	1	
	R183	RK73HB1J182J	MG RESISTOR	1.8kΩ 1/16W J	1	
	R184	RK73HB1J101J	MG RESISTOR	100Ω 1/16W J	1	
	R185	RK73HB1J224J	MG RESISTOR	220kΩ 1/16W J	1	
	R186	RK73HB1J472J	MG RESISTOR	4.7kΩ 1/16W J	1	
	R187	RK73HB1J223J	MG RESISTOR	22kΩ 1/16W J	1	
	R188	RK73HB1J101J	MG RESISTOR	100Ω 1/16W J	1	
	R190	RK73HH1J223D	MG RESISTOR	22kΩ 1/16W D	1	
	R191	RK73HH1J184D	MG RESISTOR	180kΩ 1/16W D	1	
	R192	RK73HH1J393D	MG RESISTOR	39kΩ 1/16W D	1	
	R193	RK73HH1J392D	MG RESISTOR	3.9kΩ 1/16W D	1	
	R194	RK73HH1J561D	MG RESISTOR	560Ω 1/16W D	1	
	R195	RK73HH1J104D	MG RESISTOR	100kΩ 1/16W D	1	
	R196	RK73HH1J563D	MG RESISTOR	56kΩ 1/16W D	1	
	R197	RK73HH1J753D	MG RESISTOR	75kΩ 1/16W D	1	
	R201	RK73GB2A2R2J	MG RESISTOR	2.2Ω 1/10W J	1	
	R203	RK73HB1J103J	MG RESISTOR	10kΩ 1/16W J	1	
	R204	RK73HB1J102J	MG RESISTOR	1kΩ 1/16W J	1	
	R205	RK73HB1J101J	MG RESISTOR	100Ω 1/16W J	1	
	R206	RK73HB1J101J	MG RESISTOR	100Ω 1/16W J	1	
	R207	RK73HB1J473J	MG RESISTOR	47kΩ 1/16W J	1	
	R208	RK73HB1J473J	MG RESISTOR	47kΩ 1/16W J	1	
	R209	RK73HB1J393J	MG RESISTOR	39kΩ 1/16W J	1	
	R210	RK73HB1J393J	MG RESISTOR	39kΩ 1/16W J	1	
	R211	RK73HB1J103J	MG RESISTOR	10kΩ 1/16W J	1	
	R212	RK73HB1J103J	MG RESISTOR	10kΩ 1/16W J	1	
	R213	RK73HB1J103J	MG RESISTOR	10kΩ 1/16W J	1	
	R214	RK73HB1J103J	MG RESISTOR	10kΩ 1/16W J	1	
	R215	RK73HB1J222J	MG RESISTOR	2.2kΩ 1/16W J	1	
	R216	RK73HB1J102J	MG RESISTOR	1kΩ 1/16W J	1	
	R221	RK73HB1J101J	MG RESISTOR	100Ω 1/16W J	1	
	R222	RK73HH1J392D	MG RESISTOR	3.9kΩ 1/16W D	1	
	R223	RK73HH1J103D	MG RESISTOR	10kΩ 1/16W D	1	
	R224	RK73HH1J103D	MG RESISTOR	10kΩ 1/16W D	1	
	R225	RK73HH1J303D	MG RESISTOR	30kΩ 1/16W D	1	
	R226	RK73HH1J303D	MG RESISTOR	30kΩ 1/16W D	1	
	R227	RK73HH1J104D	MG RESISTOR	100kΩ 1/16W D	1	
	R228	RK73HH1J104D	MG RESISTOR	100kΩ 1/16W D	1	
	R229	RK73HB1J473J	MG RESISTOR	47kΩ 1/16W J	1	
	R230	RK73HB1J471J	MG RESISTOR	470Ω 1/16W J	1	
	R231	RK73HB1J223J	MG RESISTOR	22kΩ 1/16W J	1	
	R232	RK73HB1J223J	MG RESISTOR	22kΩ 1/16W J	1	
	R233	RK73HB1J471J	MG RESISTOR	470Ω 1/16W J	1	
	R234	RK73HB1J471J	MG RESISTOR	470Ω 1/16W J	1	
	R235	RK73HB1J223J	MG RESISTOR	22kΩ 1/16W J	1	
	R236	RK73HB1J223J	MG RESISTOR	22kΩ 1/16W J	1	
	R237	RK73HB1J471J	MG RESISTOR	470Ω 1/16W J	1	
	R238	RK73HB1J471J	MG RESISTOR	470Ω 1/16W J	1	
	R239	RK73HB1J223J	MG RESISTOR	22kΩ 1/16W J	1	
	R240	RK73HB1J223J	MG RESISTOR	22kΩ 1/16W J	1	
	R241	RK73HB1J471J	MG RESISTOR	470Ω 1/16W J	1	
	R301	RK73GB2A101J	MG RESISTOR	100Ω 1/10W J	1	
	R302	RK73GB2A101J	MG RESISTOR	100Ω 1/10W J	1	
	R303	RK73GB2A101J	MG RESISTOR	100Ω 1/10W J	1	
	R304	RK73GB2A101J	MG RESISTOR	100Ω 1/10W J	1	
	R305	RK73GB2A101J	MG RESISTOR	100Ω 1/10W J	1	
	R306	RK73GB2A101J	MG RESISTOR	100Ω 1/10W J	1	
	R307	RK73HB1J102J	MG RESISTOR	1kΩ 1/16W J	1	
	R308	RK73GB2A2R2J	MG RESISTOR	2.2Ω 1/10W J	1	
	R309	RK73HB1J100J	MG RESISTOR	10Ω 1/16W J	1	
	R310	RK73HB1J684J	MG RESISTOR	680kΩ 1/16W J	1	
	R311	RK73HB1J103J	MG RESISTOR	10kΩ 1/16W J	1	
	R318	RK73HH1J752D	MG RESISTOR	7.5kΩ 1/16W D	1	
	R319	RK73HH1J752D	MG RESISTOR	7.5kΩ 1/16W D	1	
	R320	RK73HB1J100J	MG RESISTOR	10Ω 1/16W J	1	
	R321	RK73HH1J183D	MG RESISTOR	18kΩ 1/16W D	1	
	R322	RK73HH1J123D	MG RESISTOR	12kΩ 1/16W D	1	
	R323	RK73HB1J223J	MG RESISTOR	22kΩ 1/16W J	1	
	R324	RK73HB1J4R7J	MG RESISTOR	4.7Ω 1/16W J	1	
	R325	RK73HH1J183D	MG RESISTOR	18kΩ 1/16W D	1	
	R326	RK73HH1J123D	MG RESISTOR	12kΩ 1/16W D	1	
	R327	RK73HB1J223J	MG RESISTOR	22kΩ 1/16W J	1	
	R328	RK73HB1J101J	MG RESISTOR	100Ω 1/16W J	1	
	R329	RK73HB1J100J	MG RESISTOR	10Ω 1/16W J	1	
	R331	RK73HB1J101J	MG RESISTOR	100Ω 1/16W J	1	
	R332	RK73HB1J103J	MG RESISTOR	10kΩ 1/16W J	1	
	R333	RK73HH1J183D	MG RESISTOR	18kΩ 1/16W D	1	
	R334	RK73HH1J123D	MG RESISTOR	12kΩ 1/16W D	1	
	R335	RK73HH1J183D	MG RESISTOR	18kΩ 1/16W D	1	
	R336	RK73HH1J123D	MG RESISTOR	12kΩ 1/16W D	1	
	R337	RK73HB1J393J	MG RESISTOR	39kΩ 1/16W J	1	
	R338	RK73HH1J752D	MG RESISTOR	7.5kΩ 1/16W D	1	
	R339	RK73HH1J752D	MG RESISTOR	7.5kΩ 1/16W D	1	
	R407	RK73GB2A105J	MG RESISTOR	1MΩ 1/10W J	1	
	R411	RK73GB2A105J	MG RESISTOR	1MΩ 1/10W J	1	
	R412	RK73GB2A820J	MG RESISTOR	82Ω 1/10W J	1	
	R413	RK73HB1J000J	MG RESISTOR	0Ω 1/16W J	1	
	R414	RK73GB2A102J	MG RESISTOR	1kΩ 1/10W J	1	

MODEL	MARK	MODEL	MARK	MODEL	MARK
DMX9021S	A1	DMX9021S	M1	DMX958XR	K0

Safe	Symbol No.	Parts No.	Parts Name	Description	QTY	Local
	R415	RK73HB1J000J	MG RESISTOR	0Ω 1/16W J	1	
	R416	RK73HB1J101J	MG RESISTOR	100Ω 1/16W J	1	
	R417	RK73HB1J101J	MG RESISTOR	100Ω 1/16W J	1	
	R418	RK73HB1J000J	MG RESISTOR	0Ω 1/16W J	1	
	R420	RK73HB1J000J	MG RESISTOR	0Ω 1/16W J	1	K0
	R421	RK73HB1J000J	MG RESISTOR	0Ω 1/16W J	1	K0
	R422	RK73HB1J000J	MG RESISTOR	0Ω 1/16W J	1	K0
	R423	RK73HB1J000J	MG RESISTOR	0Ω 1/16W J	1	K0
	R424	RK73HB1J473J	MG RESISTOR	47kΩ 1/16W J	1	
	R502	RK73HB1J100J	MG RESISTOR	10Ω 1/16W J	1	
	R509	RK73HB1J100J	MG RESISTOR	10Ω 1/16W J	1	
	R512	RK73HB1J101J	MG RESISTOR	100Ω 1/16W J	1	
	R513	RK73HB1J100J	MG RESISTOR	10Ω 1/16W J	1	
	R514	RK73HH1J391D	MG RESISTOR	390Ω 1/16W D	1	
	R517	RK73HB1J101J	MG RESISTOR	100Ω 1/16W J	1	
	R519	RK73HH1J683D	MG RESISTOR	68kΩ 1/16W D	1	
	R521	RK73HB1J220J	MG RESISTOR	22Ω 1/16W J	1	
	R522	RK73HB1J220J	MG RESISTOR	22Ω 1/16W J	1	
	R524	RK73HH1J683D	MG RESISTOR	68kΩ 1/16W D	1	
	R526	RK73HB1J750J	MG RESISTOR	75Ω 1/16W J	1	
	R527	RK73GB2A151J	MG RESISTOR	150Ω 1/10W J	1	
	R528	RK73GB2A151J	MG RESISTOR	150Ω 1/10W J	1	
	R529	RK73GB2A151J	MG RESISTOR	150Ω 1/10W J	1	
	R530	RK73GB2A151J	MG RESISTOR	150Ω 1/10W J	1	
	R535	RK73HB1J000J	MG RESISTOR	0Ω 1/16W J	1	
	R801	RK73HB1J101J	MG RESISTOR	100Ω 1/16W J	1	
	R802	RK73HB1J101J	MG RESISTOR	100Ω 1/16W J	1	
	R803	RK73HB1J101J	MG RESISTOR	100Ω 1/16W J	1	
	R1008	RK73HH1J471D	MG RESISTOR	470Ω 1/16W D	1	
	R1009	RK73HH1J363D	MG RESISTOR	36kΩ 1/16W D	1	
	R1011	RK73HH1J272D	MG RESISTOR	2.7kΩ 1/16W D	1	
	R1012	RK73HH1J912D	MG RESISTOR	9.1kΩ 1/16W D	1	
	R1013	RK73HB1J104J	MG RESISTOR	100kΩ 1/16W J	1	
	R1014	RK73HB1J104J	MG RESISTOR	100kΩ 1/16W J	1	
	R1015	RK73HH1J623D	MG RESISTOR	62kΩ 1/16W D	1	
	R1016	RK73HB1J000J	MG RESISTOR	0Ω 1/16W J	1	
	R1017	RK73HB1J100J	MG RESISTOR	10Ω 1/16W J	1	
	R1019	RK73HB1J102J	MG RESISTOR	1kΩ 1/16W J	1	
	R1025	RK73GB2A331J	MG RESISTOR	330Ω 1/10W J	1	
	R1302	RK73HB1J000J	MG RESISTOR	0Ω 1/16W J	1	K0
	R1304	RK73HB1J000J	MG RESISTOR	0Ω 1/16W J	1	K0
	R1306	RK73HB1J000J	MG RESISTOR	0Ω 1/16W J	1	K0
	R1308	RK73HB1J000J	MG RESISTOR	0Ω 1/16W J	1	K0
	R1401	RK73HB1J473J	MG RESISTOR	47kΩ 1/16W J	1	
	R1403	RK73HB1J101J	MG RESISTOR	100Ω 1/16W J	1	
	R1404	RK73HB1J473J	MG RESISTOR	47kΩ 1/16W J	1	
	R1405	RK73HB1J101J	MG RESISTOR	100Ω 1/16W J	1	
	R1406	RK73HB1J473J	MG RESISTOR	47kΩ 1/16W J	1	
	R1407	RK73HB1J101J	MG RESISTOR	100Ω 1/16W J	1	
	R1408	RK73HB1J152J	MG RESISTOR	1.5kΩ 1/16W J	1	
	R1411	RK73HB1J473J	MG RESISTOR	47kΩ 1/16W J	1	
	R1414	RK73HB1J223J	MG RESISTOR	22kΩ 1/16W J	1	
	R1415	RK73HB1J101J	MG RESISTOR	100Ω 1/16W J	1	
	R1416	RK73HB1J101J	MG RESISTOR	100Ω 1/16W J	1	
	R1417	RK73HB1J101J	MG RESISTOR	100Ω 1/16W J	1	
	R1418	RK73HB1J102J	MG RESISTOR	1kΩ 1/16W J	1	
	R1419	RK73HB1J101J	MG RESISTOR	100Ω 1/16W J	1	
	R1420	RK73HB1J101J	MG RESISTOR	100Ω 1/16W J	1	
	R1421	RK73HB1J101J	MG RESISTOR	100Ω 1/16W J	1	
	R1422	RK73HB1J473J	MG RESISTOR	47kΩ 1/16W J	1	
	R1424	RK73HB1J101J	MG RESISTOR	100Ω 1/16W J	1	
	R1425	RK73HB1J473J	MG RESISTOR	47kΩ 1/16W J	1	
	R1426	RK73HB1J223J	MG RESISTOR	22kΩ 1/16W J	1	
	R1427	RK73HB1J473J	MG RESISTOR	47kΩ 1/16W J	1	
	R1428	RK73HB1J101J	MG RESISTOR	100Ω 1/16W J	1	
	R1429	RK73HB1J103J	MG RESISTOR	10kΩ 1/16W J	1	
	R1430	RK73HB1J101J	MG RESISTOR	100Ω 1/16W J	1	
	R1431	RK73HB1J101J	MG RESISTOR	100Ω 1/16W J	1	
	R1432	RK73HB1J101J	MG RESISTOR	100Ω 1/16W J	1	
	R1433	RK73HB1J473J	MG RESISTOR	47kΩ 1/16W J	1	
	R1434	RK73HB1J101J	MG RESISTOR	100Ω 1/16W J	1	
	R1435	RK73HB1J473J	MG RESISTOR	47kΩ 1/16W J	1	
	R1436	RK73HB1J272J	MG RESISTOR	2.7kΩ 1/16W J	1	
	R1437	RK73HB1J473J	MG RESISTOR	47kΩ 1/16W J	1	
	R1439	RK73HB1J101J	MG RESISTOR	100Ω 1/16W J	1	
	R1440	RK73HB1J473J	MG RESISTOR	47kΩ 1/16W J	1	
	R1441	RK73HB1J101J	MG RESISTOR	100Ω 1/16W J	1	
	R1442	RK73HB1J101J	MG RESISTOR	100Ω 1/16W J	1	
	R1443	RK73HB1J223J	MG RESISTOR	22kΩ 1/16W J	1	
	R1444	RK73HB1J101J	MG RESISTOR	100Ω 1/16W J	1	
	R1445	RK73HB1J101J	MG RESISTOR	100Ω 1/16W J	1	
	R1446	RK73HB1J473J	MG RESISTOR	47kΩ 1/16W J	1	
	R1447	RK73HB1J101J	MG RESISTOR	100Ω 1/16W J	1	
	R1448	RK73HB1J101J	MG RESISTOR	100Ω 1/16W J	1	
	R1449	RK73HB1J102J	MG RESISTOR	1kΩ 1/16W J	1	
	R1450	RK73HB1J223J	MG RESISTOR	22kΩ 1/16W J	1	
	R1451	RK73HB1J101J	MG RESISTOR	100Ω 1/16W J	1	
	R1452	RK73HB1J101J	MG RESISTOR	100Ω 1/16W J	1	
	R1453	RK73HB1J102J	MG RESISTOR	1kΩ 1/16W J	1	
	R1454	RK73HB1J223J	MG RESISTOR	22kΩ 1/16W J	1	
	R1455	RK73HB1J101J	MG RESISTOR	100Ω 1/16W J	1	
	R1456	RK73HB1J102J	MG RESISTOR	1kΩ 1/16W J	1	

MODEL	MARK	MODEL	MARK	MODEL	MARK
DMX9021S	A1	DMX9021S	M1	DMX958XR	K0

Safe	Symbol No.	Parts No.	Parts Name	Description	QTY	Local
	R1457	RK73HB1J223J	MG RESISTOR	22kΩ 1/16W J	1	
	R1458	RK73HB1J101J	MG RESISTOR	100Ω 1/16W J	1	
	R1459	RK73HB1J223J	MG RESISTOR	22kΩ 1/16W J	1	
	R1460	RK73HB1J222J	MG RESISTOR	2.2kΩ 1/16W J	1	
	R1461	RK73HB1J222J	MG RESISTOR	2.2kΩ 1/16W J	1	
	R1462	RK73HB1J101J	MG RESISTOR	100Ω 1/16W J	1	
	R1465	RK73HB1J101J	MG RESISTOR	100Ω 1/16W J	1	
	R1466	RK73HB1J101J	MG RESISTOR	100Ω 1/16W J	1	
	R1468	RK73HB1J473J	MG RESISTOR	47kΩ 1/16W J	1	
	R1470	RK73HB1J102J	MG RESISTOR	1kΩ 1/16W J	1	
	R1471	RK73HB1J102J	MG RESISTOR	1kΩ 1/16W J	1	
	R1472	RK73HB1J473J	MG RESISTOR	47kΩ 1/16W J	1	
	R1473	RK73HB1J101J	MG RESISTOR	100Ω 1/16W J	1	
	R1474	RK73HB1J101J	MG RESISTOR	100Ω 1/16W J	1	
	R1475	RK73HB1J473J	MG RESISTOR	47kΩ 1/16W J	1	
	R1476	RK73HB1J102J	MG RESISTOR	1kΩ 1/16W J	1	
	R1477	RK73HB1J473J	MG RESISTOR	47kΩ 1/16W J	1	
	R1478	RK73HB1J103J	MG RESISTOR	10kΩ 1/16W J	1	
	R1479	RK73HB1J224J	MG RESISTOR	220kΩ 1/16W J	1	
	R1480	RK73HB1J471J	MG RESISTOR	470Ω 1/16W J	1	
	R1481	RK73HB1J823J	MG RESISTOR	82kΩ 1/16W J	1	
	R1482	RK73HB1J103J	MG RESISTOR	10kΩ 1/16W J	1	
	R1483	RK73HB1J124J	MG RESISTOR	120kΩ 1/16W J	1	
	R1484	RK73HB1J472J	MG RESISTOR	4.7kΩ 1/16W J	1	
	R1485	RK73HB1J103J	MG RESISTOR	10kΩ 1/16W J	1	
	R1486	RK73HB1J103J	MG RESISTOR	10kΩ 1/16W J	1	
	R1487	RK73HB1J101J	MG RESISTOR	100Ω 1/16W J	1	
	R1488	RK73HB1J101J	MG RESISTOR	100Ω 1/16W J	1	
	R1489	RK73HB1J104J	MG RESISTOR	100kΩ 1/16W J	1	
	R1492	RK73HB1J102J	MG RESISTOR	1kΩ 1/16W J	1	
	R1493	RK73HB1J102J	MG RESISTOR	1kΩ 1/16W J	1	
	R1494	RK73HB1J102J	MG RESISTOR	1kΩ 1/16W J	1	
	R1502	RK73HB1J101J	MG RESISTOR	100Ω 1/16W J	1	
	R1505	RK73HB1J101J	MG RESISTOR	100Ω 1/16W J	1	
	R1506	RK73HB1J101J	MG RESISTOR	100Ω 1/16W J	1	
	R1509	RK73HB1J100J	MG RESISTOR	10Ω 1/16W J	1	
	R1510	RK73HB1J101J	MG RESISTOR	100Ω 1/16W J	1	
	R1511	RK73HB1J100J	MG RESISTOR	10Ω 1/16W J	1	
	R1512	RK73HB1J100J	MG RESISTOR	10Ω 1/16W J	1	
	R1514	RK73HB1J680J	MG RESISTOR	68Ω 1/16W J	1	
	R1523	RK73HB1J101J	MG RESISTOR	100Ω 1/16W J	1	
	R1524	RK73HB1J101J	MG RESISTOR	100Ω 1/16W J	1	
	R1525	RK73HB1J101J	MG RESISTOR	100Ω 1/16W J	1	
	R1526	RK73HB1J101J	MG RESISTOR	100Ω 1/16W J	1	
	R1527	RK73HB1J223J	MG RESISTOR	22kΩ 1/16W J	1	
	R1528	RK73HB1J101J	MG RESISTOR	100Ω 1/16W J	1	
	R1529	RK73HB1J472J	MG RESISTOR	4.7kΩ 1/16W J	1	
	R1531	RK73HB1J392J	MG RESISTOR	3.9kΩ 1/16W J	1	
	R1533	RK73HB1J181J	MG RESISTOR	180Ω 1/16W J	1	
	R1534	RK73HB1J101J	MG RESISTOR	100Ω 1/16W J	1	
	R1535	RK73HB1J101J	MG RESISTOR	100Ω 1/16W J	1	
	R1536	RK73HB1J222J	MG RESISTOR	2.2kΩ 1/16W J	1	
	R1539	RK73HH1J221D	MG RESISTOR	220Ω 1/16W D	1	
	R1540	RK73HH1J221D	MG RESISTOR	220Ω 1/16W D	1	
	R1541	RK73HH1J221D	MG RESISTOR	220Ω 1/16W D	1	
	R1542	RK73HH1J221D	MG RESISTOR	220Ω 1/16W D	1	
	R1543	RK73HH1J221D	MG RESISTOR	220Ω 1/16W D	1	
	R1544	RK73HH1J221D	MG RESISTOR	220Ω 1/16W D	1	
	R1545	RK73HH1J221D	MG RESISTOR	220Ω 1/16W D	1	
	R1546	RK73HH1J221D	MG RESISTOR	220Ω 1/16W D	1	
	R1564	RK73HB1J473J	MG RESISTOR	47kΩ 1/16W J	1	
	R1565	RK73HB1J473J	MG RESISTOR	47kΩ 1/16W J	1	
	R1566	RK73HB1J473J	MG RESISTOR	47kΩ 1/16W J	1	
	R1567	RK73HB1J100J	MG RESISTOR	10Ω 1/16W J	1	
	R1568	RK73HB1J100J	MG RESISTOR	10Ω 1/16W J	1	
	R1569	RK73HB1J100J	MG RESISTOR	10Ω 1/16W J	1	
	R1570	RK73HB1J000J	MG RESISTOR	0Ω 1/16W J	1	
	R1571	RK73GB2A2R2J	MG RESISTOR	2.2Ω 1/10W J	1	
	R1572	RK73HB1J102J	MG RESISTOR	1kΩ 1/16W J	1	
	R1573	RK73HB1J102J	MG RESISTOR	1kΩ 1/16W J	1	
	R1574	RK73HB1J102J	MG RESISTOR	1kΩ 1/16W J	1	
	R1575	RK73HB1J102J	MG RESISTOR	1kΩ 1/16W J	1	
	R1578	RK73HB1J473J	MG RESISTOR	47kΩ 1/16W J	1	
	R1579	RK73HB1J473J	MG RESISTOR	47kΩ 1/16W J	1	
	R1580	RK73HB1J473J	MG RESISTOR	47kΩ 1/16W J	1	
	R1582	RK73HB1J100J	MG RESISTOR	10Ω 1/16W J	1	
	R1583	RK73GB2A2R2J	MG RESISTOR	2.2Ω 1/10W J	1	
	R1584	RK73HB1J221J	MG RESISTOR	220Ω 1/16W J	1	
	R1585	RK73HB1J221J	MG RESISTOR	220Ω 1/16W J	1	
	R1586	RK73HB1J221J	MG RESISTOR	220Ω 1/16W J	1	
	R1587	RK73HB1J221J	MG RESISTOR	220Ω 1/16W J	1	
	L1	L3D-0062-00	CHOCO COIL			A1,M1
	L1	L3D-0053-00	CHOCO COIL			K0
	L301	LK73G0AQ1R0K	M.CHIP INDUCTOR			
	L401	LK73G0BER15K	M.CHIP INDUCTOR			
	L402	LK73G0BE1R0K	M.CHIP INDUCTOR			
	L403	L3B-0005-00	FM-RF COIL			
	L404	LK73G0BER10K	M.CHIP INDUCTOR			
	L405	LK73G0BER47K	M.CHIP INDUCTOR			
	L406	LK73G0BE4R7K	M.CHIP INDUCTOR			
	L407	LR73Z0AD4R7M	CHIP INDUCTOR			
	L501	LR73Z0AC100K	CHIP INDUCTOR			
	L1002	LR79Z0PB2R2M	CHIP INDUCTOR			

MODEL	MARK	MODEL	MARK	MODEL	MARK
DMX9021S	A1	DMX9021S	M1	DMX958XR	K0

Safe	Symbol No.	Parts No.	Parts Name	Description	QTY	Local
	L1401	LB73G0FK-001	CHIP FERRITE		1	
	CN601	EB770AX-05E0A	B TO B CONNE		1	
	CN701	EC710AM-0510A	FFC FPC CONNE		1	
	CN801	EA720AT-1008A	W TO B CONNE		1	
	CN1101	EB740CM-05E0A	B TO B CONNE		1	
	CN1201	EB770AX-0560A	B TO B CONNE		1	
	CN1301	EB740CM-05A0A	B TO B CONNE		1	
△	F160	F53-0513-08	PATTERN FUSE	4A	1	
△	F161	F53-0513-08	PATTERN FUSE	4A	1	
△	F301	F53-0513-08	PATTERN FUSE	4A	1	
△	F303	F53-0513-08	PATTERN FUSE	4A	1	
△	F501	F53-0513-08	PATTERN FUSE	4A	1	
	J1	E5J-0022-00	R.RECEPTACLE		1	
	J301	E6D-0016-10	PIN JACK		1	
	J303	E1B-0041-00	3.5D PHONE JACK		1	
	J501	E6D-0040-00	PIN JACK		1	
	VA2	SDV1005E18//2	VARIATOR		1	
	VA3	SDV1005E18//2	VARIATOR		1	
	VA4	SDV1005E18//2	VARIATOR		1	
	VA5	SDV1005E18//2	VARIATOR		1	
	VA6	SDV1005E18//2	VARIATOR		1	
	VA301	SDV1005A14//0	VARIATOR		1	
	VA302	SDV1005A14//0	VARIATOR		1	
	VA303	SDV1005A14//0	VARIATOR		1	
	VA304	SDV1005A14//0	VARIATOR		1	
	VA305	SDV1005A14//0	VARIATOR		1	
	VA306	SDV1005A14//0	VARIATOR		1	
	VA307	SDV1005A14//0	VARIATOR		1	
	VA310	SDV1005A14//0	VARIATOR		1	
	VA311	SDV1005A14//0	VARIATOR		1	
	VA312	SDV1005A14//0	VARIATOR		1	
	VA401	F0K-0010-00	SURGE ABSORBER		1	
	VA501	SDV1005E18//1	VARIATOR		1	
	VA502	SDV1005E18//1	VARIATOR		1	
	VA503	SDV1005E18//1	VARIATOR		1	
	VA504	SDV1005E18//1	VARIATOR		1	
	VA505	SDV1005E18//1	VARIATOR		1	
	VA506	SDV1005E18//1	VARIATOR		1	
	W401	E3A-0388-00	ANTENNA CABLE		1	
	X401	L7J-0014-00	QUARTZ CRYSTAL		1	
	X1401	L7J-0099-00	QUARTZ CRYSTAL		1	
	X1501	L7J-0026-00	QUARTZ CRYSTAL		1	
SUB PWB ASSY (XJ4-014x-0x) <XJ4>						
	IC2001	TC7SET08FUJC	MOS IC		1	
	IC2201	NJM8080RB1	ANALOG IC		1	
	IC2202	NJM2871BF05	ANALOG IC		1	
	IC2301	TC7SZ125FUJC	MOS IC		1	
	IC2302	TC7SZ125FUJC	MOS IC		1	
	IC2303	TC74HCT4053FT	MOS IC		1	
	IC2401	TC7SET32FUJC	MOS IC		1	K0
	IC2402	TC7SZ17FUJC	MOS IC		1	K0
	IC2551	TC7SH08FUJC	MOS IC		1	
	IC2552	TC7SZ125FUJC	MOS IC		1	
	IC2553	TC7SET08FUJC	MOS IC		1	
	IC2601	NJG1143UA2	MOS IC		1	
	IC2602	UBX-M8030-KT	MOS IC		1	
	IC2603	MM1936A30RE	ANALOG IC		1	
	IC2604	MM3608A33NH	ANALOG IC		1	
	Q2501	RE1C00ZP	FET		1	A1,M1
	Q2502	LTC014YEBFS8	DIGI TRANSISTOR		1	A1,M1
	Q2503	RE1C00ZP	FET		1	A1,M1
	Q2601	LTA014EEBFS8	DIGI TRANSISTOR		1	
	D2201	BZT52B11LSHF	ZENER DIODE		1	
	D2202	BZT52B11LSHF	ZENER DIODE		1	
	D2203	1SS355VM	DIODE		1	
	D2301	BZT52B5V6LSHF	ZENER DIODE		1	
	D2302	1SS355VM	DIODE		1	
	D2303	BZT52B5V6LSHF	ZENER DIODE		1	
	D2501	1SS355VM	DIODE		1	A1,M1
	D2502	1SS355VM	DIODE		1	A1,M1
	D2551	1SS355VM	DIODE		1	
	D2552	BZT52B5V6LSHF	ZENER DIODE		1	
	D2553	BZT52B5V6LSHF	ZENER DIODE		1	
	C2001	CK73GXR1A106K	C CAPACITOR	10uF 10V K	1	
	C2002	CK73JXR1H103K	C CAPACITOR	0.01uF 50V K	1	
	C2201	CK73HXR1C105K	C CAPACITOR	1uF 16V K	1	
	C2203	CK73HXR1C105K	C CAPACITOR	1uF 16V K	1	
	C2205	CC73JCH1H220J	C CAPACITOR	22pF 50V J	1	
	C2208	CC73JCH1H220J	C CAPACITOR	22pF 50V J	1	
	C2210	CK73JXR1C104K	C CAPACITOR	0.1uF 16V K	1	
	C2212	CK730DT1C476K	C CAPACITOR	47uF 16V K	1	
	C2213	CK73HXR1H104K	C CAPACITOR	0.1uF 50V K	1	
	C2214	CK73JXR1H102K	C CAPACITOR	1000pF 50V K	1	
	C2215	CK73HXR1C105K	C CAPACITOR	1uF 16V K	1	
	C2216	CK73EXR1A476M	C CAPACITOR	47uF 10V M	1	
	C2218	CK73GXR1A106K	C CAPACITOR	10uF 10V K	1	
	C2219	CK73GXR1A106K	C CAPACITOR	10uF 10V K	1	
	C2220	CK73JXR1A683K	C CAPACITOR	0.068uF 10V K	1	
	C2221	CK73JXR1A683K	C CAPACITOR	0.068uF 10V K	1	
	C2222	CK73HXR1C105K	C CAPACITOR	1uF 16V K	1	
	C2223	CK73JXR1H103K	C CAPACITOR	0.01uF 50V K	1	
	C2224	CK73HXR1C105K	C CAPACITOR	1uF 16V K	1	

MODEL	MARK	MODEL	MARK	MODEL	MARK
DMX9021S	A1	DMX9021S	M1	DMX958XR	K0

Safe	Symbol No.	Parts No.	Parts Name	Description	QTY	Local
	C2225	CK73JXR1H222K	C CAPACITOR	2200pF 50V K	1	
	C2301	CK73HXR1H104K	C CAPACITOR	0.1uF 50V K	1	
	C2302	CK73JXR1H103K	C CAPACITOR	0.01uF 50V K	1	
	C2303	CK73JXR1H103K	C CAPACITOR	0.01uF 50V K	1	
	C2304	CK73GXR1E225K	C CAPACITOR	2.2uF 25V K	1	
	C2305	CK73GXR1E225K	C CAPACITOR	2.2uF 25V K	1	
	C2306	CK73GXR1E225K	C CAPACITOR	2.2uF 25V K	1	
	C2307	CK73JXR1H102K	C CAPACITOR	1000pF 50V K	1	
	C2308	CK73JXR1H102K	C CAPACITOR	1000pF 50V K	1	
	C2309	CK73JXR1H102K	C CAPACITOR	1000pF 50V K	1	
	C2310	CK73FXR1E106K	C CAPACITOR	10uF 25V K	1	
	C2311	CK73JXR1C104K	C CAPACITOR	0.1uF 16V K	1	
	C2312	CK73JXR1H102K	C CAPACITOR	1000pF 50V K	1	
	C2313	CK73JXR1H102K	C CAPACITOR	1000pF 50V K	1	
	C2314	CK73JXR1H102K	C CAPACITOR	1000pF 50V K	1	
	C2401	CK73JXR1A104K	C CAPACITOR	0.1uF 10V K	1	K0
	C2402	CK73JXR1A104K	C CAPACITOR	0.1uF 10V K	1	K0
	C2403	CK73GXR1E225K	C CAPACITOR	2.2uF 25V K	1	K0
	C2404	CK73GXR1E225K	C CAPACITOR	2.2uF 25V K	1	K0
	C2405	CK73FXR1E106K	C CAPACITOR	10uF 25V K	1	K0
	C2503	CK73JXR1H102K	C CAPACITOR	1000pF 50V K	1	A1,M1
	C2551	CK73JXR1H103K	C CAPACITOR	0.01uF 50V K	1	
	C2552	CK73JXR1H103K	C CAPACITOR	0.01uF 50V K	1	
	C2553	CK73JXR1H103K	C CAPACITOR	0.01uF 50V K	1	
	C2601	CC73JCH1H120J	C CAPACITOR	12pF 50V J	1	
	C2602	CK73JXR1H102K	C CAPACITOR	1000pF 50V K	1	
	C2603	CC73JCH1H270J	C CAPACITOR	27pF 50V J	1	
	C2604	CC73JCH1H010C	C CAPACITOR	1pF 50V C	1	
	C2605	CC73JCH1H470J	C CAPACITOR	47pF 50V J	1	
	C2606	CC73JCH1H180J	C CAPACITOR	18pF 50V J	1	
	C2607	CK73JXR1H103K	C CAPACITOR	0.01uF 50V K	1	
	C2608	CC730CC1H2R7B	C CAPACITOR	2.7pF 50V B	1	
	C2609	CK73HXR1A105K	C CAPACITOR	1uF 10V K	1	
	C2610	CK73HXR1A105K	C CAPACITOR	1uF 10V K	1	
	C2612	CK73GXR1C475K	C CAPACITOR	4.7uF 16V K	1	
	C2613	CK73HXR1A105K	C CAPACITOR	1uF 10V K	1	
	C2614	CK73JXR1C104K	C CAPACITOR	0.1uF 16V K	1	
	C2616	CK73JXR1H103K	C CAPACITOR	0.01uF 50V K	1	
	C2617	CK73GXR1E225K	C CAPACITOR	2.2uF 25V K	1	
	C2618	CK73HXR1A105K	C CAPACITOR	1uF 10V K	1	
	C2619	CK73HXR1A105K	C CAPACITOR	1uF 10V K	1	
	C2620	CK73HXR1A105K	C CAPACITOR	1uF 10V K	1	
	C2621	CK73HXR1A105K	C CAPACITOR	1uF 10V K	1	
	C2622	CK73GXR1C475K	C CAPACITOR	4.7uF 16V K	1	
	C2624	CC73JCH1H070C	C CAPACITOR	7pF 50V C	1	
	C2625	CC73JCH1H060C	C CAPACITOR	6pF 50V C	1	
	C2628	CK73HXR1A105K	C CAPACITOR	1uF 10V K	1	
	C2629	CK73GXR1E225K	C CAPACITOR	2.2uF 25V K	1	
	C2630	CK73GXR1E225K	C CAPACITOR	2.2uF 25V K	1	
	R2003	RK73HB1J101J	MG RESISTOR	100Ω 1/16W J	1	
	R2202	RK73HB1J223J	MG RESISTOR	22kΩ 1/16W J	1	
	R2203	RK73HB1J334J	MG RESISTOR	330kΩ 1/16W J	1	
	R2205	RK73HB1J223J	MG RESISTOR	22kΩ 1/16W J	1	
	R2207	RK73GB2A2R2J	MG RESISTOR	2.2Ω 1/10W J	1	
	R2209	RK73HB1J334J	MG RESISTOR	330kΩ 1/16W J	1	
	R2213	RK73HB1J393J	MG RESISTOR	39kΩ 1/16W J	1	
	R2215	RK73HB1J123J	MG RESISTOR	12kΩ 1/16W J	1	
	R2216	RK73HB1J682J	MG RESISTOR	6.8kΩ 1/16W J	1	
	R2217	RK73HB1J101J	MG RESISTOR	100Ω 1/16W J	1	
	R2218	RK73HB1J103J	MG RESISTOR	10kΩ 1/16W J	1	
	R2219	RK73HB1J333J	MG RESISTOR	33kΩ 1/16W J	1	
	R2301	RK73GB2A101J	MG RESISTOR	100Ω 1/10W J	1	
	R2302	RK73HB1J223J	MG RESISTOR	22kΩ 1/16W J	1	
	R2303	RK73HB1J101J	MG RESISTOR	100Ω 1/16W J	1	
	R2304	RK73HB1J473J	MG RESISTOR	47kΩ 1/16W J	1	
	R2305	RK73GB2A101J	MG RESISTOR	100Ω 1/10W J	1	
	R2307	RK73HB1J100J	MG RESISTOR	10Ω 1/16W J	1	
	R2308	RK73HB1J100J	MG RESISTOR	10Ω 1/16W J	1	
	R2309	RK73HB1J100J	MG RESISTOR	10Ω 1/16W J	1	
	R2310	RK73HB1J473J	MG RESISTOR	47kΩ 1/16W J	1	
	R2311	RK73HB1J473J	MG RESISTOR	47kΩ 1/16W J	1	
	R2312	RK73HB1J473J	MG RESISTOR	47kΩ 1/16W J	1	
	R2313	RK73HB1J473J	MG RESISTOR	47kΩ 1/16W J	1	
	R2314	RK73HB1J473J	MG RESISTOR	47kΩ 1/16W J	1	
	R2315	RK73HB1J473J	MG RESISTOR	47kΩ 1/16W J	1	
	R2316	RK73HB1J473J	MG RESISTOR	47kΩ 1/16W J	1	
	R2317	RK73HB1J473J	MG RESISTOR	47kΩ 1/16W J	1	
	R2318	RK73HB1J473J	MG RESISTOR	47kΩ 1/16W J	1	
	R2319	RK73GB2A2R2J	MG RESISTOR	2.2Ω 1/10W J	1	
	R2320	RK73HB1J473J	MG RESISTOR	47kΩ 1/16W J	1	
	R2321	RK73HB1J473J	MG RESISTOR	47kΩ 1/16W J	1	
	R2322	RK73HB1J473J	MG RESISTOR	47kΩ 1/16W J	1	
	R2323	RK73HB1J473J	MG RESISTOR	47kΩ 1/16W J	1	
	R2401	RK73HB1J272J	MG RESISTOR	2.7kΩ 1/16W J	1	K0
	R2403	RK73HB1J272J	MG RESISTOR	2.7kΩ 1/16W J	1	K0
	R2404	RK73HB1J000J	MG RESISTOR	0Ω 1/16W J	1	K0
	R2405	RK73GB2A101J	MG RESISTOR	100Ω 1/10W J	1	K0
	R2406	RK73GB2A101J	MG RESISTOR	100Ω 1/10W J	1	K0
	R2407	RK73GB2A101J	MG RESISTOR	100Ω 1/10W J	1	K0
	R2408	RK73HB1J473J	MG RESISTOR	47kΩ 1/16W J	1	K0
	R2409	RK73GB2A100J	MG RESISTOR	10Ω 1/10W J	1	K0
	R2410	RK73GB2A100J	MG RESISTOR	10Ω 1/10W J	1	K0

MODEL	MARK	MODEL	MARK	MODEL	MARK
DMX9021S	A1	DMX9021S	M1	DMX958XR	K0

Safe	Symbol No.	Parts No.	Parts Name	Description	QTY	Local
	R2411	RK73GB2A100J	MG RESISTOR	10Ω 1/10W J	1	K0
	R2501	RK73HB1J681J	MG RESISTOR	680Ω 1/16W J	1	
	R2502	RK73HB1J681J	MG RESISTOR	680Ω 1/16W J	1	
	R2503	RK73GH2A472D	MG RESISTOR	4.7kΩ 1/10W D	1	
	R2504	RK73GH2A472D	MG RESISTOR	4.7kΩ 1/10W D	1	
	R2505	RK73HB1J104J	MG RESISTOR	100kΩ 1/16W J	1	A1,M1
	R2506	RK73HB1J152J	MG RESISTOR	1.5kΩ 1/16W J	1	
	R2507	RK73HB1J152J	MG RESISTOR	1.5kΩ 1/16W J	1	
	R2508	RK73HB1J102J	MG RESISTOR	1kΩ 1/16W J	1	A1,M1
	R2509	RK73GB2A470J	MG RESISTOR	47Ω 1/10W J	1	A1,M1
	R2510	RK73EB2E511J	MG RESISTOR	510Ω 1/4W J	1	A1,M1
	R2511	RK73GB2A470J	MG RESISTOR	47Ω 1/10W J	1	A1,M1
	R2512	RK73EB2E511J	MG RESISTOR	510Ω 1/4W J	1	A1,M1
	R2513	RK73HB1J104J	MG RESISTOR	100kΩ 1/16W J	1	A1,M1
	R2514	RK73HB1J102J	MG RESISTOR	1kΩ 1/16W J	1	A1,M1
	R2551	RK73HB1J473J	MG RESISTOR	47kΩ 1/16W J	1	
	R2552	RK73GB2A101J	MG RESISTOR	100Ω 1/10W J	1	
	R2553	RK73GB2A220J	MG RESISTOR	22Ω 1/10W J	1	
	R2554	RK73HB1J101J	MG RESISTOR	100Ω 1/16W J	1	
	R2555	RK73HB1J101J	MG RESISTOR	100Ω 1/16W J	1	
	R2556	RK73HB1J101J	MG RESISTOR	100Ω 1/16W J	1	
	R2601	RK73HB1J103J	MG RESISTOR	10kΩ 1/16W J	1	
	R2602	RK73HB1J392J	MG RESISTOR	3.9kΩ 1/16W J	1	
	R2603	RK73HB1J681J	MG RESISTOR	680Ω 1/16W J	1	
	R2604	RK73HB1J473J	MG RESISTOR	47kΩ 1/16W J	1	
	R2605	RK73HB1J220J	MG RESISTOR	22Ω 1/16W J	1	
	R2606	RK73HB1J220J	MG RESISTOR	22Ω 1/16W J	1	
	L2601	LF73H0AB9N1B	F.C. INDUCTOR		1	
	L2602	LR79H0HU27NJ	CHIP INDUCTOR		1	
	L2603	LB73H0DZ-001	CHIP FERRITE		1	
	L2604	LR79H0HU7N5G	CHIP INDUCTOR		1	
	L2605	LB73H0DZ-001	CHIP FERRITE		1	
	CN2001	EA710AT-1004A	W TO B CONNE		1	
	CN2301	EA120CK-2004A	W TO B CONNE		1	
	CN2551	EA120CE-2503A	W TO B CONNE		1	
	CN2701	EB740CM-0560A	B TO B CONNE		1	
△	F2301	F53-0513-08	PATTERN FUSE	4A	1	
△	F2302	F53-0513-08	PATTERN FUSE	4A	1	
△	F2303	F53-0513-08	PATTERN FUSE	4A	1	
△	F2501	F53-0513-08	PATTERN FUSE	4A	1	
△	F2551	F53-0513-08	PATTERN FUSE	4A	1	
	J2201	E1B-0041-00	3.5D PHONE JACK		1	
	J2301	E1B-0041-00	3.5D PHONE JACK		1	
	J2401	E5G-0029-00	CYL.RECEPTACLE		1	K0
	J2501	E1B-0041-00	3.5D PHONE JACK		1	A1,M1
	J2601	E5J-0023-00	R.RECEPTACLE		1	
	SF2601	L7K-0074-00	SAW FILTER		1	
	VA2301	SDV1005A14//0	VARIATOR		1	
	VA2302	SDV1005A14//0	VARIATOR		1	
	VA2303	SDV1005A14//0	VARIATOR		1	
	VA2304	SDV1005A14//0	VARIATOR		1	
	VA2305	SDV1005A14//0	VARIATOR		1	
	VA2401	SDV1005E18//2	VARIATOR		1	K0
	VA2402	SDV1005E18//2	VARIATOR		1	K0
	VA2403	SDV1005E18//2	VARIATOR		1	K0
	VA2404	SDV1005A14//0	VARIATOR		1	K0
	VA2405	SDV1005A14//0	VARIATOR		1	K0
	VA2406	SDV1005A14//0	VARIATOR		1	K0
	VA2501	SDV1005E18//2	VARIATOR		1	A1,M1
	VA2502	SDV1005E18//2	VARIATOR		1	A1,M1
	VA2503	SDV1005E18//2	VARIATOR		1	A1,M1
	VA2551	SDV1005A14//0	VARIATOR		1	
	VA2552	SDV1005A14//0	VARIATOR		1	
	VA2602	F0K-0029-00	SURGE ABSORBER		1	
	X2601	L7H-0159-00	TCXO		1	
	X2602	L7J-0095-00	QUARTZ CRYSTAL		1	
GYRO PWB ASSY (XJ5-009J-00) <XJ5>						
	C2	CK73HXR1C104K	C CAPACITOR	0.1uF 16V K	1	
	C3	CK73HXR1C104K	C CAPACITOR	0.1uF 16V K	1	
	R2	RK73EB2E101J	MG RESISTOR	100Ω 1/4W J	1	
	R3	RK73GB2A101J	MG RESISTOR	100Ω 1/10W J	1	
	R4	RK73GB2A101J	MG RESISTOR	100Ω 1/10W J	1	
	R5	RK73GB2A101J	MG RESISTOR	100Ω 1/10W J	1	
	R6	RK73EB2E101J	MG RESISTOR	100Ω 1/4W J	1	
	R7	RK73GB2A000J	MG RESISTOR	0Ω 1/10W J	1	
	R8	RK73GB2A000J	MG RESISTOR	0Ω 1/10W J	1	
	R10	RK73EB2E000J	MG RESISTOR	0Ω 1/4W J	1	
	CN1	EC710AM-0510A	FFC FPC CONNE		1	
	SN1	-----	SENSOR	NO SERVICE PART	1	
VIDEO PWB ASSY (XJ8-044K-01) <XJ8>						
	IC100	W3F-0617-00	MCU IC		1	
	IC102	BU4228F	ANALOG IC		1	
	IC103	XC6223B331P-G	ANALOG IC		1	
	IC105	74AHC1G32GW	MOS IC		1	
	IC106	TC7SH17FUJC	MOS IC		1	
	IC200	LM3481MMXNOPB	ANALOG IC		1	
	IC201	TC7SH17FUJC	MOS IC		1	
	IC202	XC6213B332N-G	MOS IC		1	
	IC502	-----	MOS IC	NO SERVICE PART	1	
	IC503	XC6223B331P-G	ANALOG IC		1	
	Q100	LTC014YEBFS8	DIGI TRANSISTOR		1	
	Q101	LTC014YEBFS8	DIGI TRANSISTOR		1	
	Q200	LTA043ZEBFS8	DIGI TRANSISTOR		1	

MODEL	MARK	MODEL	MARK	MODEL	MARK
DMX9021S	A1	DMX9021S	M1	DMX958XR	K0

Safe	Symbol No.	Parts No.	Parts Name	Description	QTY	Local
	Q201	LSAR523UBFS8	TRANSISTOR		1	
	Q202	RTQ035N03	FET		1	
	Q203	LSAR523UBFS8	TRANSISTOR		1	
	Q204	LSCR523UBFS8	TRANSISTOR		1	
	Q205	LSCR523UBFS8	TRANSISTOR		1	
	Q206	LSCR523UBFS8	TRANSISTOR		1	
	Q207	LSAR523UBFS8	TRANSISTOR		1	
	Q208	LSCR523UBFS8	TRANSISTOR		1	
	Q209	LSCR523UBFS8	TRANSISTOR		1	
	Q210	LSCR523UBFS8	TRANSISTOR		1	
	Q211	LSCR523UBFS8	TRANSISTOR		1	
	Q212	LSCR523UBFS8	TRANSISTOR		1	
	Q213	LTC043ZEBFS8	DIGI TRANSISTOR		1	
	Q214	LTC043ZEBFS8	DIGI TRANSISTOR		1	
	Q600	LSCR523UBFS8	TRANSISTOR		1	
	Q601	LSCR523UBFS8	TRANSISTOR		1	
	Q602	LSCR523UBFS8	TRANSISTOR		1	
	D100	RB521SM-30	DIODE		1	
	D200	SJPB-L4	SCHOTTKY DIODE		1	
	D705	DAN217UM	DIODE		1	
	C100	CC73HCH1H221J	C CAPACITOR	220pF 50V J	1	
	C101	CC73HCH1H101J	C CAPACITOR	100pF 50V J	1	
	C102	CC73HCH1H101J	C CAPACITOR	100pF 50V J	1	
	C103	CC73HCH1H101J	C CAPACITOR	100pF 50V J	1	
	C104	CC73HCH1H101J	C CAPACITOR	100pF 50V J	1	
	C105	CC73HCH1H221J	C CAPACITOR	220pF 50V J	1	
	C106	CK73HXR1H473K	C CAPACITOR	0.047uF 50V K	1	
	C107	CK73HXR1A104K	C CAPACITOR	0.1uF 10V K	1	
	C108	CK73HXR1A104K	C CAPACITOR	0.1uF 10V K	1	
	C109	CK73HXR1A104K	C CAPACITOR	0.1uF 10V K	1	
	C111	CK73HXR1C105K	C CAPACITOR	1uF 16V K	1	
	C112	CK73HXR1C105K	C CAPACITOR	1uF 16V K	1	
	C113	CK73HXR1C105K	C CAPACITOR	1uF 16V K	1	
	C114	CK73EXR1E106K	C CAPACITOR	10uF 25V K	1	
	C115	CK73HXR1C105K	C CAPACITOR	1uF 16V K	1	
	C116	CK73HXR1A104K	C CAPACITOR	0.1uF 10V K	1	
	C117	CK73HXR1A104K	C CAPACITOR	0.1uF 10V K	1	
	C119	CK73HXR1H472K	C CAPACITOR	4700pF 50V K	1	
	C120	CK73HXR1H102K	C CAPACITOR	1000pF 50V K	1	
	C121	CK73HXR1C105K	C CAPACITOR	1uF 16V K	1	
	C127	CK73GXR1A475K	C CAPACITOR	4.7uF 10V K	1	
	C200	CK73HXR1C105K	C CAPACITOR	1uF 16V K	1	
	C205	CK73HXR1H103K	C CAPACITOR	0.01uF 50V K	1	
	C206	CK73HXR1H104K	C CAPACITOR	0.1uF 50V K	1	
	C207	CK73EXR1H106K	C CAPACITOR	10uF 50V K	1	
	C208	CK73EXR1H106K	C CAPACITOR	10uF 50V K	1	
	C209	CK73HXR1A104K	C CAPACITOR	0.1uF 10V K	1	
	C210	CK73HXR1C105K	C CAPACITOR	1uF 16V K	1	
	C211	CC73HCH1H391J	C CAPACITOR	390pF 50V J	1	
	C212	CK73HXR1C105K	C CAPACITOR	1uF 16V K	1	
	C213	CK73EXR1E106K	C CAPACITOR	10uF 25V K	1	
	C214	CK73HXR1A104K	C CAPACITOR	0.1uF 10V K	1	
	C215	CK73HXR1A104K	C CAPACITOR	0.1uF 10V K	1	
	C216	CK73HXR1C105K	C CAPACITOR	1uF 16V K	1	
	C217	CK73GXR1A106K	C CAPACITOR	10uF 10V K	1	
	C218	CK73HXR1H103K	C CAPACITOR	0.01uF 50V K	1	
	C219	CK73EXR1H106K	C CAPACITOR	10uF 50V K	1	
	C220	CK73EXR1H106K	C CAPACITOR	10uF 50V K	1	
	C221	CK73HXR1C105K	C CAPACITOR	1uF 16V K	1	
	C222	CK73GXR1A106K	C CAPACITOR	10uF 10V K	1	
	C400	CK73GXR1C225K	C CAPACITOR	2.2uF 16V K	1	
	C403	CK73HXR1C105K	C CAPACITOR	1uF 16V K	1	
	C509	CK73HXR1C105K	C CAPACITOR	1uF 16V K	1	
	C510	CK73HXR1C105K	C CAPACITOR	1uF 16V K	1	
	C511	CK73HXR1H103K	C CAPACITOR	0.01uF 50V K	1	
	C512	CK73HXR1E223K	C CAPACITOR	0.022uF 25V K	1	
	C513	CK73HXR1E223K	C CAPACITOR	0.022uF 25V K	1	
	C514	CK73GXR1C225K	C CAPACITOR	2.2uF 16V K	1	
	C515	CK73HXR1E223K	C CAPACITOR	0.022uF 25V K	1	
	C517	CK73HXR1E223K	C CAPACITOR	0.022uF 25V K	1	
	C518	CK73HXR1C105K	C CAPACITOR	1uF 16V K	1	
	C520	CK73GXR1C225K	C CAPACITOR	2.2uF 16V K	1	
	C521	CK73GXR1A475K	C CAPACITOR	4.7uF 10V K	1	
	C539	CK73GXR1C225K	C CAPACITOR	2.2uF 16V K	1	
	C540	CK73HXR1E223K	C CAPACITOR	0.022uF 25V K	1	
	C600	CK73HXR1A104K	C CAPACITOR	0.1uF 10V K	1	
	C601	CK73HXR1A104K	C CAPACITOR	0.1uF 10V K	1	
	C602	CK73HXR1A104K	C CAPACITOR	0.1uF 10V K	1	
	C603	CK73GXR1A106K	C CAPACITOR	10uF 10V K	1	
	C604	CK73HXR1H102K	C CAPACITOR	1000pF 50V K	1	
	C605	CK73HXR1H104K	C CAPACITOR	0.1uF 50V K	1	
	C606	CK73HXR1H103K	C CAPACITOR	0.01uF 50V K	1	
	C607	CK73HXR1H102K	C CAPACITOR	1000pF 50V K	1	
	C608	CK73HXR1H102K	C CAPACITOR	1000pF 50V K	1	
	C609	CK73HXR1H102K	C CAPACITOR	1000pF 50V K	1	
	C611	CK73EXR1E106K	C CAPACITOR	10uF 25V K	1	
	C612	CK73GXR1A106K	C CAPACITOR	10uF 10V K	1	
	C701	CK73HXR1H103K	C CAPACITOR	0.01uF 50V K	1	
	C702	CK73FXR1C106K	C CAPACITOR	10uF 16V K	1	
	R35	RK73HB1J000J	MG RESISTOR	0Ω 1/16W J	1	
	R36	RK73HB1J000J	MG RESISTOR	0Ω 1/16W J	1	
	R100	RK73HB1J101J	MG RESISTOR	100Ω 1/16W J	1	

MODEL	MARK	MODEL	MARK	MODEL	MARK
DMX9021S	A1	DMX9021S	M1	DMX958XR	K0

Safe	Symbol No.	Parts No.	Parts Name	Description	QTY	Local
	R101	RK73HB1J473J	MG RESISTOR	47kΩ 1/16W J	1	
	R102	RK73HB1J473J	MG RESISTOR	47kΩ 1/16W J	1	
	R103	RK73HB1J473J	MG RESISTOR	47kΩ 1/16W J	1	
	R104	RK73HB1J473J	MG RESISTOR	47kΩ 1/16W J	1	
	R105	RK73HB1J101J	MG RESISTOR	100Ω 1/16W J	1	
	R106	RK73HB1J101J	MG RESISTOR	100Ω 1/16W J	1	
	R107	RK73HB1J101J	MG RESISTOR	100Ω 1/16W J	1	
	R108	RK73HB1J103J	MG RESISTOR	10kΩ 1/16W J	1	
	R109	RK73HB1J101J	MG RESISTOR	100Ω 1/16W J	1	
	R110	RK73HB1J101J	MG RESISTOR	100Ω 1/16W J	1	
	R111	RK73HB1J101J	MG RESISTOR	100Ω 1/16W J	1	
	R112	RK73HB1J123J	MG RESISTOR	12kΩ 1/16W J	1	
	R115	RK73HB1J101J	MG RESISTOR	100Ω 1/16W J	1	
	R116	RK73HB1J101J	MG RESISTOR	100Ω 1/16W J	1	
	R117	RK73HB1J101J	MG RESISTOR	100Ω 1/16W J	1	
	R120	RK73HB1J101J	MG RESISTOR	100Ω 1/16W J	1	
	R122	RK73HB1J101J	MG RESISTOR	100Ω 1/16W J	1	
	R124	RK73HB1J103J	MG RESISTOR	10kΩ 1/16W J	1	
	R125	RK73HB1J101J	MG RESISTOR	100Ω 1/16W J	1	
	R126	RK73HB1J103J	MG RESISTOR	10kΩ 1/16W J	1	
	R127	RK73HB1J102J	MG RESISTOR	1kΩ 1/16W J	1	
	R128	RK73HB1J101J	MG RESISTOR	100Ω 1/16W J	1	
	R129	RK73HB1J101J	MG RESISTOR	100Ω 1/16W J	1	
	R130	RK73HB1J101J	MG RESISTOR	100Ω 1/16W J	1	
	R131	RK73HB1J101J	MG RESISTOR	100Ω 1/16W J	1	
	R132	RK73HB1J101J	MG RESISTOR	100Ω 1/16W J	1	
	R136	RK73HB1J103J	MG RESISTOR	10kΩ 1/16W J	1	
	R137	RK73HB1J103J	MG RESISTOR	10kΩ 1/16W J	1	
	R138	RK73HB1J101J	MG RESISTOR	100Ω 1/16W J	1	
	R139	RK73HB1J101J	MG RESISTOR	100Ω 1/16W J	1	
	R140	RK73HB1J101J	MG RESISTOR	100Ω 1/16W J	1	
	R141	RK73HB1J473J	MG RESISTOR	47kΩ 1/16W J	1	
	R142	RK73HB1J473J	MG RESISTOR	47kΩ 1/16W J	1	
	R143	RK73HB1J472J	MG RESISTOR	4.7kΩ 1/16W J	1	
	R144	RK73HB1J472J	MG RESISTOR	4.7kΩ 1/16W J	1	
	R145	RK73HB1J103J	MG RESISTOR	10kΩ 1/16W J	1	
	R146	RK73HB1J102J	MG RESISTOR	1kΩ 1/16W J	1	
	R148	RK73HB1J101J	MG RESISTOR	100Ω 1/16W J	1	
	R149	RK73HB1J101J	MG RESISTOR	100Ω 1/16W J	1	
	R150	RK73HB1J101J	MG RESISTOR	100Ω 1/16W J	1	
	R151	RK73HB1J331J	MG RESISTOR	330Ω 1/16W J	1	
	R200	RK73HB1J000J	MG RESISTOR	0Ω 1/16W J	1	
	R201	RK73HB1J102J	MG RESISTOR	1kΩ 1/16W J	1	
	R203	RK73GB2A511J	MG RESISTOR	510Ω 1/10W J	1	
	R204	RK73GB2A511J	MG RESISTOR	510Ω 1/10W J	1	
	R207	RK73HH1J104D	MG RESISTOR	100kΩ 1/16W D	1	
	R208	RK73HH1J563D	MG RESISTOR	56kΩ 1/16W D	1	
	R209	RK73HB1J000J	MG RESISTOR	0Ω 1/16W J	1	
	R210	RK73HH1J152D	MG RESISTOR	1.5kΩ 1/16W D	1	
	R211	RK73HH1J164D	MG RESISTOR	160kΩ 1/16W D	1	
	R212	RK73HH1J103D	MG RESISTOR	10kΩ 1/16W D	1	
	R213	RK73HB1J000J	MG RESISTOR	0Ω 1/16W J	1	
	R214	RK73HB1J101J	MG RESISTOR	100Ω 1/16W J	1	
	R215	RK73HH1J563D	MG RESISTOR	56kΩ 1/16W D	1	
	R216	RK73HB1J4R7J	MG RESISTOR	4.7Ω 1/16W J	1	
	R217	RK73HB1J000J	MG RESISTOR	0Ω 1/16W J	1	
	R218	RZ73F0AK33LJ	RESISTOR	0.033Ω 1/3W J	1	
	R219	RK73HB1J103J	MG RESISTOR	10kΩ 1/16W J	1	
	R220	RK73GH2A271D	MG RESISTOR	270Ω 1/10W D	1	
	R221	RK73GH2A271D	MG RESISTOR	270Ω 1/10W D	1	
	R222	RK73GH2A271D	MG RESISTOR	270Ω 1/10W D	1	
	R223	RK73HB1J000J	MG RESISTOR	0Ω 1/16W J	1	
	R224	RK73HB1J102J	MG RESISTOR	1kΩ 1/16W J	1	
	R225	RK73HB1J101J	MG RESISTOR	100Ω 1/16W J	1	
	R227	RK73GB2A511J	MG RESISTOR	510Ω 1/10W J	1	
	R228	RK73GB2A511J	MG RESISTOR	510Ω 1/10W J	1	
	R229	RK73GH2A271D	MG RESISTOR	270Ω 1/10W D	1	
	R230	RK73GH2A271D	MG RESISTOR	270Ω 1/10W D	1	
	R231	RK73HB1J473J	MG RESISTOR	47kΩ 1/16W J	1	
	R232	RK73HB1J473J	MG RESISTOR	47kΩ 1/16W J	1	
	R233	RK73GH2A561D	MG RESISTOR	560Ω 1/10W D	1	
	R234	RK73GH2A271D	MG RESISTOR	270Ω 1/10W D	1	
	R235	RK73HB1J101J	MG RESISTOR	100Ω 1/16W J	1	
	R236	RK73GB2A511J	MG RESISTOR	510Ω 1/10W J	1	
	R237	RK73GH2A271D	MG RESISTOR	270Ω 1/10W D	1	
	R238	RK73HB1J101J	MG RESISTOR	100Ω 1/16W J	1	
	R239	RK73HB1J101J	MG RESISTOR	100Ω 1/16W J	1	
	R240	RK73HB1J101J	MG RESISTOR	100Ω 1/16W J	1	
	R241	RK73GH2A561D	MG RESISTOR	560Ω 1/10W D	1	
	R242	RK73GH2A561D	MG RESISTOR	560Ω 1/10W D	1	
	R243	RK73HB1J101J	MG RESISTOR	100Ω 1/16W J	1	
	R244	RK73GH2A561D	MG RESISTOR	560Ω 1/10W D	1	
	R245	RK73GB2A511J	MG RESISTOR	510Ω 1/10W J	1	
	R247	RK73HB1J102J	MG RESISTOR	1kΩ 1/16W J	1	
	R248	RK73GH2A561D	MG RESISTOR	560Ω 1/10W D	1	
	R249	RK73HB1J473J	MG RESISTOR	47kΩ 1/16W J	1	
	R250	RK73HB1J101J	MG RESISTOR	100Ω 1/16W J	1	
	R251	RK73GH2A561D	MG RESISTOR	560Ω 1/10W D	1	
	R252	RK73GH2A561D	MG RESISTOR	560Ω 1/10W D	1	
	R253	RK73GH2A271D	MG RESISTOR	270Ω 1/10W D	1	
	R254	RK73HB1J101J	MG RESISTOR	100Ω 1/16W J	1	
	R255	RK73GH2A561D	MG RESISTOR	560Ω 1/10W D	1	
	R256	RK73HB1J473J	MG RESISTOR	47kΩ 1/16W J	1	

MODEL	MARK	MODEL	MARK	MODEL	MARK
DMX9021S	A1	DMX9021S	M1	DMX958XR	K0

Safe	Symbol No.	Parts No.	Parts Name	Description	QTY	Local
	R257	RK73HB1J103J	MG RESISTOR	10kΩ 1/16W J	1	
	R402	RK73HB1J103J	MG RESISTOR	10kΩ 1/16W J	1	
	R403	RK73HB1J103J	MG RESISTOR	10kΩ 1/16W J	1	
	R404	RK73HB1J103J	MG RESISTOR	10kΩ 1/16W J	1	
	R405	RK73HB1J103J	MG RESISTOR	10kΩ 1/16W J	1	
	R538	RK73HB1J102J	MG RESISTOR	1kΩ 1/16W J	1	
	R539	RK73HB1J102J	MG RESISTOR	1kΩ 1/16W J	1	
	R540	RK73HB1J102J	MG RESISTOR	1kΩ 1/16W J	1	
	R541	RK73HB1J102J	MG RESISTOR	1kΩ 1/16W J	1	
	R542	RK73HB1J102J	MG RESISTOR	1kΩ 1/16W J	1	
	R543	RK73HB1J102J	MG RESISTOR	1kΩ 1/16W J	1	
	R544	RK73HB1J102J	MG RESISTOR	1kΩ 1/16W J	1	
	R545	RK73HB1J102J	MG RESISTOR	1kΩ 1/16W J	1	
	R546	RK73HB1J102J	MG RESISTOR	1kΩ 1/16W J	1	
	R547	RK73HB1J102J	MG RESISTOR	1kΩ 1/16W J	1	
	R548	RK73HB1J102J	MG RESISTOR	1kΩ 1/16W J	1	
	R549	RK73HB1J102J	MG RESISTOR	1kΩ 1/16W J	1	
	R550	RK73HB1J102J	MG RESISTOR	1kΩ 1/16W J	1	
	R551	RK73HB1J102J	MG RESISTOR	1kΩ 1/16W J	1	
	R552	RK73HB1J102J	MG RESISTOR	1kΩ 1/16W J	1	
	R553	RK73HB1J102J	MG RESISTOR	1kΩ 1/16W J	1	
	R554	RK73HB1J102J	MG RESISTOR	1kΩ 1/16W J	1	
	R555	RK73HB1J102J	MG RESISTOR	1kΩ 1/16W J	1	
	R556	RK73HB1J102J	MG RESISTOR	1kΩ 1/16W J	1	
	R557	RK73HB1J102J	MG RESISTOR	1kΩ 1/16W J	1	
	R558	RK73HB1J102J	MG RESISTOR	1kΩ 1/16W J	1	
	R559	RK73HB1J102J	MG RESISTOR	1kΩ 1/16W J	1	
	R560	RK73HB1J102J	MG RESISTOR	1kΩ 1/16W J	1	
	R561	RK73HB1J102J	MG RESISTOR	1kΩ 1/16W J	1	
	R562	RK73HB1J102J	MG RESISTOR	1kΩ 1/16W J	1	
	R563	RK73HB1J103J	MG RESISTOR	10kΩ 1/16W J	1	
	R564	RK73HB1J473J	MG RESISTOR	47kΩ 1/16W J	1	
	R565	RK73HB1J332J	MG RESISTOR	3.3kΩ 1/16W J	1	
	R566	RK73HB1J332J	MG RESISTOR	3.3kΩ 1/16W J	1	
	R567	RK73HB1J103J	MG RESISTOR	10kΩ 1/16W J	1	
	R568	RK73HB1J103J	MG RESISTOR	10kΩ 1/16W J	1	
	R569	RK73HB1J103J	MG RESISTOR	10kΩ 1/16W J	1	
	R571	RK73HB1J103J	MG RESISTOR	10kΩ 1/16W J	1	
	R572	RK73HB1J102J	MG RESISTOR	1kΩ 1/16W J	1	
	R573	RK73HB1J102J	MG RESISTOR	1kΩ 1/16W J	1	
	R574	RK73HB1J102J	MG RESISTOR	1kΩ 1/16W J	1	
	R575	RK73HB1J102J	MG RESISTOR	1kΩ 1/16W J	1	
	R576	RK73HB1J102J	MG RESISTOR	1kΩ 1/16W J	1	
	R577	RK73HB1J102J	MG RESISTOR	1kΩ 1/16W J	1	
	R578	RK73HB1J102J	MG RESISTOR	1kΩ 1/16W J	1	
	R579	RK73HB1J102J	MG RESISTOR	1kΩ 1/16W J	1	
	R580	RK73HB1J000J	MG RESISTOR	0Ω 1/16W J	1	
	R581	RK73HB1J000J	MG RESISTOR	0Ω 1/16W J	1	
	R582	RK73HB1J000J	MG RESISTOR	0Ω 1/16W J	1	
	R583	RK73HB1J000J	MG RESISTOR	0Ω 1/16W J	1	
	R584	RK73GB2A000J	MG RESISTOR	0Ω 1/10W J	1	
	R585	RK73GB2A000J	MG RESISTOR	0Ω 1/10W J	1	
	R586	RK73GB2A000J	MG RESISTOR	0Ω 1/10W J	1	
	R587	RK73GB2A000J	MG RESISTOR	0Ω 1/10W J	1	
	R588	RK73GB2A000J	MG RESISTOR	0Ω 1/10W J	1	
	R589	RK73GB2A000J	MG RESISTOR	0Ω 1/10W J	1	
	R590	RK73GB2A000J	MG RESISTOR	0Ω 1/10W J	1	
	R591	RK73GB2A000J	MG RESISTOR	0Ω 1/10W J	1	
	R592	RK73GB2A000J	MG RESISTOR	0Ω 1/10W J	1	
	R593	RK73GB2A000J	MG RESISTOR	0Ω 1/10W J	1	
	R594	RK73GB2A000J	MG RESISTOR	0Ω 1/10W J	1	
	R595	RK73GB2A000J	MG RESISTOR	0Ω 1/10W J	1	
	R596	RK73GB2A000J	MG RESISTOR	0Ω 1/10W J	1	
	R597	RK73GB2A000J	MG RESISTOR	0Ω 1/10W J	1	
	R598	RK73GB2A000J	MG RESISTOR	0Ω 1/10W J	1	
	R600	RK73GB2A100J	MG RESISTOR	10Ω 1/10W J	1	
	R601	RK73GB2A100J	MG RESISTOR	10Ω 1/10W J	1	
	R603	RK73HB1J473J	MG RESISTOR	47kΩ 1/16W J	1	
	R604	RK73HB1J473J	MG RESISTOR	47kΩ 1/16W J	1	
	R605	RK73HB1J473J	MG RESISTOR	47kΩ 1/16W J	1	
	R606	RK73GB2A100J	MG RESISTOR	10Ω 1/10W J	1	
	R607	RK73GB2A100J	MG RESISTOR	10Ω 1/10W J	1	
	R608	RK73GB2A101J	MG RESISTOR	100Ω 1/10W J	1	
	R609	RK73GB2A100J	MG RESISTOR	10Ω 1/10W J	1	
	R610	RK73GB2A100J	MG RESISTOR	10Ω 1/10W J	1	
	R611	RK73GB2A100J	MG RESISTOR	10Ω 1/10W J	1	
	R612	RK73GB2A100J	MG RESISTOR	10Ω 1/10W J	1	
	R613	RK73GB2A221J	MG RESISTOR	220Ω 1/10W J	1	
	R614	RK73HH1J301D	MG RESISTOR	300Ω 1/16W D	1	
	R615	RK73HH1J301D	MG RESISTOR	300Ω 1/16W D	1	
	R616	RK73HH1J301D	MG RESISTOR	300Ω 1/16W D	1	
	R617	RK73HB1J101J	MG RESISTOR	100Ω 1/16W J	1	
	R618	RK73HB1J101J	MG RESISTOR	100Ω 1/16W J	1	
	R619	RK73HB1J101J	MG RESISTOR	100Ω 1/16W J	1	
	R621	RK73EB2E151J	MG RESISTOR	150Ω 1/4W J	1	
	R625	RK73GB2A000J	MG RESISTOR	0Ω 1/10W J	1	
	R626	RK73HB1J000J	MG RESISTOR	0Ω 1/16W J	1	
	R630	RK73HB1J101J	MG RESISTOR	100Ω 1/16W J	1	
	R631	RK73HB1J101J	MG RESISTOR	100Ω 1/16W J	1	
	R632	RK73HB1J101J	MG RESISTOR	100Ω 1/16W J	1	
	R633	RK73HB1J101J	MG RESISTOR	100Ω 1/16W J	1	
	R722	RK73GB2A000J	MG RESISTOR	0Ω 1/10W J	1	

MODEL	MARK	MODEL	MARK	MODEL	MARK
DMX9021S	A1	DMX9021S	M1	DMX958XR	K0

Safe	Symbol No.	Parts No.	Parts Name	Description	QTY	Local
	L100	LB73G0EA-002	CHIP FERRITE		1	
	L102	LB73G0EA-001	CHIP FERRITE		1	
	L200	LR79Z0FB220M	CHIP INDUCTOR		1	
	L201	LB73E0FU-004	CHIP FERRITE		1	
	L502	LB73G0EA-001	CHIP FERRITE		1	
	L600	LB73G0EA-001	CHIP FERRITE		1	
	L602	LB73G0EA-002	CHIP FERRITE		1	
	CN1	EC720CF-0560A	FFC FPC CONNE		1	
	CN100	EC720AA-0510A	FFC FPC CONNE		1	
	CN400	EC720AA-0540A	FFC FPC CONNE		1	
	CN501	EC720AA-0550A	FFC FPC CONNE		1	
	CN502	EC720AA-0508A	FFC FPC CONNE		1	
	CN600	EC720AA-0522A	FFC FPC CONNE		1	
	VA601	SDV1005E18//2	VARIISTOR		1	
	VA602	EZJP0080MA	VARIISTOR		1	
	VA603	EZJP0080MA	VARIISTOR		1	
	VA604	EZJP0080MA	VARIISTOR		1	
	DIGITAL IO PWB ASSY (XJA-103x-0x) <XJA>					
	IC1	TCC8974F-0AX1	MPU IC	BGA	1	
	IC2	RA8900CEUB	ANALOG IC		1	
	IC151	H5TQ483EFRRDI	DRAM IC	BGA	1	
	IC201	H5TQ483EFRRDI	DRAM IC	BGA	1	
	IC251	H5TQ483EFRRDI	DRAM IC	BGA	1	
	IC301	H5TQ483EFRRDI	DRAM IC	BGA	1	
	IC351	-----	ROM IC	NO SERVICE PART	1	
	IC401	-----	PROGRAMMED IC	NO SERVICE PART	1	A1,M1
	IC401	-----	PROGRAMMED IC	NO SERVICE PART	1	K0
	IC451	MF1343S00177	MCU IC		1	
	IC511	MP9843GL	MOS IC		1	
	IC601	TPS25830QWHBQ	ANALOG IC		1	
	IC602	NJU7108F3	MOS IC		1	
	IC641	MP9843GL	MOS IC		1	
	IC671	DA9062-2CAM	MCU IC		1	
	IC701	S2R72A11F05E6	MOS IC		1	
	IC801	TC7SH08FUJC	MOS IC		1	
	IC802	SN74TVC3010PW	ANALOG IC		1	
	IC803	LSF0102DCU	ANALOG IC		1	
	IC804	ML86251LAZ07F	MOS IC	BGA	1	
	IC862	NJM2561F1	BIPOLAR IC		1	
	IC901	SN74AVC4T245S	MOS IC		1	
	IC911	SN74LVCU04APW	MOS IC		1	K0
	IC921	SN74LVCU04APW	MOS IC		1	K0
	IC931	SN74AVC4T245S	MOS IC		1	
	IC951	SN74LVCU04APW	MOS IC		1	
	IC961	TC7SZ00FUJC	MOS IC		1	
	IC1101	MM3411A18NE	ANALOG IC		1	
	IC1102	BD00FD0EHFP-M	ANALOG IC		1	
	IC1301	XC6223B121P-G	ANALOG IC		1	
	IC1302	IT68013FN/BX	MOS IC		1	
	IC1401	XC6223B121P-G	ANALOG IC		1	
	IC1402	TP2825-KB	MOS IC		1	
	IC1451	TS3DV642A0RUA	MOS IC		1	
	Q1	RE1C001UN	FET		1	
	Q2	LTA014YEBFS8	DIGI TRANSISTOR		1	
	Q3	LTA014YEBFS8	DIGI TRANSISTOR		1	
	Q451	LTC014YEBFS8	DIGI TRANSISTOR		1	
	Q452	LTC014YEBFS8	DIGI TRANSISTOR		1	
	Q453	LTC014YEBFS8	DIGI TRANSISTOR		1	
	Q454	LSAR523EBFS8	TRANSISTOR		1	
	Q455	LSCR523EBFS8	TRANSISTOR		1	
	Q603	LTC014YEBFS8	DIGI TRANSISTOR		1	
	Q671	LTC014YEBFS8	DIGI TRANSISTOR		1	
	Q751	LTC014YEBFS8	DIGI TRANSISTOR		1	
	Q801	LSCR523EBFS8	TRANSISTOR		1	
	Q961	RE1C002ZP	FET		1	
	Q1001	RE1C001UN	FET		1	
	D1	1SS355VM	DIODE		1	
	D2	1SS355VM	DIODE		1	
	D601	DAN217UM	DIODE		1	
	D801	DAN217WM	DIODE		1	
	D1301	1SS355VM	DIODE		1	
	D1401	BZT52B5V6LSHF	ZENER DIODE		1	
	D1402	BZT52B5V6LSHF	ZENER DIODE		1	
	C1	CK73JXR1C104K	C CAPACITOR	0.1uF 16V K	1	
	C2	CK73JXR1C104K	C CAPACITOR	0.1uF 16V K	1	
	C3	CK73JXR1C104K	C CAPACITOR	0.1uF 16V K	1	
	C4	CK73JXR1C104K	C CAPACITOR	0.1uF 16V K	1	
	C5	CK73JXR1C104K	C CAPACITOR	0.1uF 16V K	1	
	C6	CK73JXR1C104K	C CAPACITOR	0.1uF 16V K	1	
	C7	CK73JXR1C104K	C CAPACITOR	0.1uF 16V K	1	
	C8	CK73JXR1C104K	C CAPACITOR	0.1uF 16V K	1	
	C9	CK73JXR1C104K	C CAPACITOR	0.1uF 16V K	1	
	C10	CK73JXR1C104K	C CAPACITOR	0.1uF 16V K	1	
	C11	CK73JXR1C104K	C CAPACITOR	0.1uF 16V K	1	
	C12	CK73JXR1C104K	C CAPACITOR	0.1uF 16V K	1	
	C13	CK73JXR1C104K	C CAPACITOR	0.1uF 16V K	1	
	C14	CK73JXR1C104K	C CAPACITOR	0.1uF 16V K	1	
	C15	CK73JXR1C104K	C CAPACITOR	0.1uF 16V K	1	
	C16	CK73JXR1C104K	C CAPACITOR	0.1uF 16V K	1	
	C17	CK73JXR1C104K	C CAPACITOR	0.1uF 16V K	1	
	C18	CK73JXR1C104K	C CAPACITOR	0.1uF 16V K	1	
	C19	CK73JXR1C104K	C CAPACITOR	0.1uF 16V K	1	



MODEL	MARK	MODEL	MARK	MODEL	MARK
DMX9021S	A1	DMX9021S	M1	DMX958XR	K0

Safe	Symbol No.	Parts No.	Parts Name	Description	QTY	Local
	C113	CK73JXR1C104K	C CAPACITOR	0.1uF 16V K	1	
	C114	CK73JXR1C104K	C CAPACITOR	0.1uF 16V K	1	
	C115	CK73JXR1C104K	C CAPACITOR	0.1uF 16V K	1	
	C116	CK73JXR1C104K	C CAPACITOR	0.1uF 16V K	1	
	C120	CC73JCH1H060C	C CAPACITOR	6pF 50V C	1	
	C121	CC73JCH1H060C	C CAPACITOR	6pF 50V C	1	
	C122	CK73JXR1C104K	C CAPACITOR	0.1uF 16V K	1	
	C151	CK73JXR1C104K	C CAPACITOR	0.1uF 16V K	1	
	C152	CC73JCH1H121J	C CAPACITOR	120pF 50V J	1	
	C153	CC73JCH1H121J	C CAPACITOR	120pF 50V J	1	
	C154	CK73JXR1C104K	C CAPACITOR	0.1uF 16V K	1	
	C155	CK73JXR1C104K	C CAPACITOR	0.1uF 16V K	1	
	C156	CC73JCH1H121J	C CAPACITOR	120pF 50V J	1	
	C157	CK73JXR1C104K	C CAPACITOR	0.1uF 16V K	1	
	C158	CK73JXR1C104K	C CAPACITOR	0.1uF 16V K	1	
	C159	CC73JCH1H121J	C CAPACITOR	120pF 50V J	1	
	C160	CK73JXR1C104K	C CAPACITOR	0.1uF 16V K	1	
	C161	CK73JXR1C104K	C CAPACITOR	0.1uF 16V K	1	
	C162	CC73JCH1H121J	C CAPACITOR	120pF 50V J	1	
	C163	CK73JXR1C104K	C CAPACITOR	0.1uF 16V K	1	
	C164	CC73JCH1H121J	C CAPACITOR	120pF 50V J	1	
	C165	CK73JXR1C104K	C CAPACITOR	0.1uF 16V K	1	
	C166	CC73JCH1H121J	C CAPACITOR	120pF 50V J	1	
	C167	CC73JCH1H121J	C CAPACITOR	120pF 50V J	1	
	C168	CK73JXR1C104K	C CAPACITOR	0.1uF 16V K	1	
	C169	CK73JXR1C104K	C CAPACITOR	0.1uF 16V K	1	
	C170	CC73JCH1H121J	C CAPACITOR	120pF 50V J	1	
	C171	CK73JXR1C104K	C CAPACITOR	0.1uF 16V K	1	
	C172	CK73JXR1C104K	C CAPACITOR	0.1uF 16V K	1	
	C173	CK73JXR1C104K	C CAPACITOR	0.1uF 16V K	1	
	C174	CC73JCH1H121J	C CAPACITOR	120pF 50V J	1	
	C175	CK73FXR0J476M	C CAPACITOR	47uF 6.3V M	1	
	C176	CK73JXR1C104K	C CAPACITOR	0.1uF 16V K	1	
	C177	CC73JCH1H121J	C CAPACITOR	120pF 50V J	1	
	C178	CK73JXR1C104K	C CAPACITOR	0.1uF 16V K	1	
	C179	CC73JCH1H121J	C CAPACITOR	120pF 50V J	1	
	C180	CC73JCH1H121J	C CAPACITOR	120pF 50V J	1	
	C181	CK73JXR1C104K	C CAPACITOR	0.1uF 16V K	1	
	C201	CK73JXR1C104K	C CAPACITOR	0.1uF 16V K	1	
	C202	CC73JCH1H121J	C CAPACITOR	120pF 50V J	1	
	C203	CC73JCH1H121J	C CAPACITOR	120pF 50V J	1	
	C204	CK73JXR1C104K	C CAPACITOR	0.1uF 16V K	1	
	C205	CK73JXR1C104K	C CAPACITOR	0.1uF 16V K	1	
	C206	CC73JCH1H121J	C CAPACITOR	120pF 50V J	1	
	C207	CK73JXR1C104K	C CAPACITOR	0.1uF 16V K	1	
	C208	CK73JXR1C104K	C CAPACITOR	0.1uF 16V K	1	
	C209	CC73JCH1H121J	C CAPACITOR	120pF 50V J	1	
	C210	CK73JXR1C104K	C CAPACITOR	0.1uF 16V K	1	
	C211	CK73JXR1C104K	C CAPACITOR	0.1uF 16V K	1	
	C212	CC73JCH1H121J	C CAPACITOR	120pF 50V J	1	
	C213	CK73JXR1C104K	C CAPACITOR	0.1uF 16V K	1	
	C214	CC73JCH1H121J	C CAPACITOR	120pF 50V J	1	
	C215	CK73JXR1C104K	C CAPACITOR	0.1uF 16V K	1	
	C216	CC73JCH1H121J	C CAPACITOR	120pF 50V J	1	
	C217	CC73JCH1H121J	C CAPACITOR	120pF 50V J	1	
	C218	CK73JXR1C104K	C CAPACITOR	0.1uF 16V K	1	
	C219	CK73JXR1C104K	C CAPACITOR	0.1uF 16V K	1	
	C220	CC73JCH1H121J	C CAPACITOR	120pF 50V J	1	
	C221	CK73JXR1C104K	C CAPACITOR	0.1uF 16V K	1	
	C222	CK73JXR1C104K	C CAPACITOR	0.1uF 16V K	1	
	C223	CK73FXR0J476M	C CAPACITOR	47uF 6.3V M	1	
	C224	CK73JXR1H102K	C CAPACITOR	1000pF 50V K	1	
	C225	CC73JCH1H121J	C CAPACITOR	120pF 50V J	1	
	C226	CK73JXR1C104K	C CAPACITOR	0.1uF 16V K	1	
	C227	CC73JCH1H121J	C CAPACITOR	120pF 50V J	1	
	C228	CK73JXR1C104K	C CAPACITOR	0.1uF 16V K	1	
	C229	CC73JCH1H121J	C CAPACITOR	120pF 50V J	1	
	C230	CK73JXR1C104K	C CAPACITOR	0.1uF 16V K	1	
	C231	CC73JCH1H121J	C CAPACITOR	120pF 50V J	1	
	C232	CK73JXR1C104K	C CAPACITOR	0.1uF 16V K	1	
	C251	CK73JXR1C104K	C CAPACITOR	0.1uF 16V K	1	
	C252	CC73JCH1H121J	C CAPACITOR	120pF 50V J	1	
	C253	CC73JCH1H121J	C CAPACITOR	120pF 50V J	1	
	C254	CK73JXR1C104K	C CAPACITOR	0.1uF 16V K	1	
	C255	CK73JXR1C104K	C CAPACITOR	0.1uF 16V K	1	
	C256	CC73JCH1H121J	C CAPACITOR	120pF 50V J	1	
	C257	CK73JXR1C104K	C CAPACITOR	0.1uF 16V K	1	
	C258	CK73JXR1C104K	C CAPACITOR	0.1uF 16V K	1	
	C259	CC73JCH1H121J	C CAPACITOR	120pF 50V J	1	
	C260	CK73JXR1C104K	C CAPACITOR	0.1uF 16V K	1	
	C261	CK73JXR1C104K	C CAPACITOR	0.1uF 16V K	1	
	C262	CC73JCH1H121J	C CAPACITOR	120pF 50V J	1	
	C263	CK73JXR1C104K	C CAPACITOR	0.1uF 16V K	1	
	C264	CC73JCH1H121J	C CAPACITOR	120pF 50V J	1	
	C265	CK73JXR1C104K	C CAPACITOR	0.1uF 16V K	1	
	C266	CC73JCH1H121J	C CAPACITOR	120pF 50V J	1	
	C267	CC73JCH1H121J	C CAPACITOR	120pF 50V J	1	
	C268	CK73JXR1C104K	C CAPACITOR	0.1uF 16V K	1	
	C269	CK73JXR1C104K	C CAPACITOR	0.1uF 16V K	1	
	C270	CC73JCH1H121J	C CAPACITOR	120pF 50V J	1	
	C271	CK73JXR1C104K	C CAPACITOR	0.1uF 16V K	1	
	C272	CK73JXR1C104K	C CAPACITOR	0.1uF 16V K	1	
	C273	CK73JXR1C104K	C CAPACITOR	0.1uF 16V K	1	

MODEL	MARK	MODEL	MARK	MODEL	MARK
DMX9021S	A1	DMX9021S	M1	DMX958XR	K0

Safe	Symbol No.	Parts No.	Parts Name	Description	QTY	Local
	C274	CC73JCH1H121J	C CAPACITOR	120pF 50V J	1	
	C275	CK73FXR0J476M	C CAPACITOR	47uF 6.3V M	1	
	C276	CK73JXR1C104K	C CAPACITOR	0.1uF 16V K	1	
	C277	CC73JCH1H121J	C CAPACITOR	120pF 50V J	1	
	C278	CK73JXR1C104K	C CAPACITOR	0.1uF 16V K	1	
	C279	CC73JCH1H121J	C CAPACITOR	120pF 50V J	1	
	C280	CC73JCH1H121J	C CAPACITOR	120pF 50V J	1	
	C281	CK73JXR1C104K	C CAPACITOR	0.1uF 16V K	1	
	C301	CK73JXR1C104K	C CAPACITOR	0.1uF 16V K	1	
	C302	CC73JCH1H121J	C CAPACITOR	120pF 50V J	1	
	C303	CC73JCH1H121J	C CAPACITOR	120pF 50V J	1	
	C304	CK73JXR1C104K	C CAPACITOR	0.1uF 16V K	1	
	C305	CK73JXR1C104K	C CAPACITOR	0.1uF 16V K	1	
	C306	CC73JCH1H121J	C CAPACITOR	120pF 50V J	1	
	C307	CK73JXR1C104K	C CAPACITOR	0.1uF 16V K	1	
	C308	CK73JXR1C104K	C CAPACITOR	0.1uF 16V K	1	
	C309	CC73JCH1H121J	C CAPACITOR	120pF 50V J	1	
	C310	CK73JXR1C104K	C CAPACITOR	0.1uF 16V K	1	
	C311	CK73JXR1C104K	C CAPACITOR	0.1uF 16V K	1	
	C312	CC73JCH1H121J	C CAPACITOR	120pF 50V J	1	
	C313	CK73JXR1C104K	C CAPACITOR	0.1uF 16V K	1	
	C314	CC73JCH1H121J	C CAPACITOR	120pF 50V J	1	
	C315	CK73JXR1C104K	C CAPACITOR	0.1uF 16V K	1	
	C316	CC73JCH1H121J	C CAPACITOR	120pF 50V J	1	
	C317	CC73JCH1H121J	C CAPACITOR	120pF 50V J	1	
	C318	CK73JXR1C104K	C CAPACITOR	0.1uF 16V K	1	
	C319	CK73JXR1C104K	C CAPACITOR	0.1uF 16V K	1	
	C320	CC73JCH1H121J	C CAPACITOR	120pF 50V J	1	
	C321	CK73JXR1C104K	C CAPACITOR	0.1uF 16V K	1	
	C322	CK73JXR1C104K	C CAPACITOR	0.1uF 16V K	1	
	C323	CK73FXR0J476M	C CAPACITOR	47uF 6.3V M	1	
	C324	CK73JXR1H102K	C CAPACITOR	1000pF 50V K	1	
	C325	CC73JCH1H121J	C CAPACITOR	120pF 50V J	1	
	C326	CK73JXR1C104K	C CAPACITOR	0.1uF 16V K	1	
	C327	CC73JCH1H121J	C CAPACITOR	120pF 50V J	1	
	C328	CK73JXR1C104K	C CAPACITOR	0.1uF 16V K	1	
	C329	CC73JCH1H121J	C CAPACITOR	120pF 50V J	1	
	C330	CK73JXR1C104K	C CAPACITOR	0.1uF 16V K	1	
	C331	CC73JCH1H121J	C CAPACITOR	120pF 50V J	1	
	C332	CK73JXR1C104K	C CAPACITOR	0.1uF 16V K	1	
	C352	CK73JXR1H102K	C CAPACITOR	1000pF 50V K	1	
	C353	CK73JXR1C104K	C CAPACITOR	0.1uF 16V K	1	
	C354	CK73JXR1C104K	C CAPACITOR	0.1uF 16V K	1	
	C401	CK73FXR1C106K	C CAPACITOR	10uF 16V K	1	
	C402	CK73FXR1C106K	C CAPACITOR	10uF 16V K	1	
	C403	CK73JXR1C104K	C CAPACITOR	0.1uF 16V K	1	
	C404	CK73JXR1C104K	C CAPACITOR	0.1uF 16V K	1	
	C405	CK73FXR1C106K	C CAPACITOR	10uF 16V K	1	
	C406	CK73JXR1C104K	C CAPACITOR	0.1uF 16V K	1	
	C407	CK73FXR1C106K	C CAPACITOR	10uF 16V K	1	
	C451	CK73JXR1C104K	C CAPACITOR	0.1uF 16V K	1	
	C512	CK73FXR1H475K	C CAPACITOR	4.7uF 50V K	1	
	C513	CK73FXR1H475K	C CAPACITOR	4.7uF 50V K	1	
	C514	CK73FXR1H475K	C CAPACITOR	4.7uF 50V K	1	
	C515	CK73FXR1H475K	C CAPACITOR	4.7uF 50V K	1	
	C516	CK73HXR1H104K	C CAPACITOR	0.1uF 50V K	1	
	C517	CK73HXR1H104K	C CAPACITOR	0.1uF 50V K	1	
	C518	CK73JXR1H472K	C CAPACITOR	4700pF 50V K	1	
	C519	CK73JXR1C104K	C CAPACITOR	0.1uF 16V K	1	
	C520	CC73JCH1H470J	C CAPACITOR	47pF 50V J	1	
	C521	CK73HXR1C105K	C CAPACITOR	1uF 16V K	1	
	C522	CK73JXR1C104K	C CAPACITOR	0.1uF 16V K	1	
	C523	CK73JXR1C104K	C CAPACITOR	0.1uF 16V K	1	
	C524	CK73GXR1A106K	C CAPACITOR	10uF 10V K	1	
	C525	CK73GXR1A106K	C CAPACITOR	10uF 10V K	1	
	C526	CK73GXR1A106K	C CAPACITOR	10uF 10V K	1	
	C527	CK73GXR1A106K	C CAPACITOR	10uF 10V K	1	
	C528	CC73JCH1H050C	C CAPACITOR	5pF 50V C	1	
	C529	CC73JCH1H050C	C CAPACITOR	5pF 50V C	1	
	C530	CC73JCH1H050C	C CAPACITOR	5pF 50V C	1	
	C602	CK73FXR1H475K	C CAPACITOR	4.7uF 50V K	1	
	C603	CK73FXR1H475K	C CAPACITOR	4.7uF 50V K	1	
	C604	CK73FXR1H475K	C CAPACITOR	4.7uF 50V K	1	
	C605	CK73FXR1H475K	C CAPACITOR	4.7uF 50V K	1	
	C606	CK73HXR1H104K	C CAPACITOR	0.1uF 50V K	1	
	C607	CK73JXR1C104K	C CAPACITOR	0.1uF 16V K	1	
	C608	CK73JXR1C224K	C CAPACITOR	0.22uF 16V K	1	
	C609	CK73GXR1C225K	C CAPACITOR	2.2uF 16V K	1	
	C610	CK73JXR1C104K	C CAPACITOR	0.1uF 16V K	1	
	C611	CK73JXR1C104K	C CAPACITOR	0.1uF 16V K	1	
	C612	CK73EXR1C226M	C CAPACITOR	22uF 16V M	1	
	C613	CK73EXR1C226M	C CAPACITOR	22uF 16V M	1	
	C614	CE32BZ1C101M	E CAPACITOR	100uF 16V M	1	
	C615	CE32CC1C221M	E CAPACITOR	220uF 16V M	1	
	C617	CK73JXR1C104K	C CAPACITOR	0.1uF 16V K	1	
	C618	CK73JXR1C224K	C CAPACITOR	0.22uF 16V K	1	
	C619	CK73JXR1C224K	C CAPACITOR	0.22uF 16V K	1	
	C620	CK73JXR1H103K	C CAPACITOR	0.01uF 50V K	1	
	C621	CK73JXR1H103K	C CAPACITOR	0.01uF 50V K	1	
	C622	CK73FXR1C106K	C CAPACITOR	10uF 16V K	1	
	C623	CK73FXR1H475K	C CAPACITOR	4.7uF 50V K	1	
	C624	CK73JXR1C224K	C CAPACITOR	0.22uF 16V K	1	

MODEL	MARK	MODEL	MARK	MODEL	MARK
DMX9021S	A1	DMX9021S	M1	DMX958XR	K0

Safe	Symbol No.	Parts No.	Parts Name	Description	QTY	Local
C625		CK73JXR1H103K	C CAPACITOR	0.01uF 50V K	1	
C631		CK73JXR1H103K	C CAPACITOR	0.01uF 50V K	1	
C632		CK73HXR1C105K	C CAPACITOR	1uF 16V K	1	
C633		CC73JCH1H221J	C CAPACITOR	220pF 50V J	1	
C634		CC73JCH1H221J	C CAPACITOR	220pF 50V J	1	
C635		CC73JCH1H221J	C CAPACITOR	220pF 50V J	1	
C636		CC73JCH1H101J	C CAPACITOR	100pF 50V J	1	
C642		CK73FXR1H475K	C CAPACITOR	4.7uF 50V K	1	
C643		CK73FXR1H475K	C CAPACITOR	4.7uF 50V K	1	
C644		CK73FXR1H475K	C CAPACITOR	4.7uF 50V K	1	
C645		CK73FXR1H475K	C CAPACITOR	4.7uF 50V K	1	
C646		CK73HXR1H104K	C CAPACITOR	0.1uF 50V K	1	
C647		CK73HXR1H104K	C CAPACITOR	0.1uF 50V K	1	
C649		CK73JXR1H472K	C CAPACITOR	4700pF 50V K	1	
C650		CK73JXR1C104K	C CAPACITOR	0.1uF 16V K	1	
C651		CC73JCH1H470J	C CAPACITOR	47pF 50V J	1	
C652		CK73HXR1C105K	C CAPACITOR	1uF 16V K	1	
C653		CK73JXR1C104K	C CAPACITOR	0.1uF 16V K	1	
C654		CK73JXR1C104K	C CAPACITOR	0.1uF 16V K	1	
C655		CK73GXR1A106K	C CAPACITOR	10uF 10V K	1	
C656		CK73GXR1A106K	C CAPACITOR	10uF 10V K	1	
C657		CK73GXR1A106K	C CAPACITOR	10uF 10V K	1	
C658		CK73GXR1A106K	C CAPACITOR	10uF 10V K	1	
C671		CK73JXR1H103K	C CAPACITOR	0.01uF 50V K	1	
C672		CK73FXR0J476M	C CAPACITOR	47uF 6.3V M	1	
C673		CK73FXR0J476M	C CAPACITOR	47uF 6.3V M	1	
C675		CK73FXR1C106K	C CAPACITOR	10uF 16V K	1	
C676		CK73FXR1C106K	C CAPACITOR	10uF 16V K	1	
C678		CK73FXR0J476M	C CAPACITOR	47uF 6.3V M	1	
C679		CK73FXR0J476M	C CAPACITOR	47uF 6.3V M	1	
C680		CK73GXR1C225K	C CAPACITOR	2.2uF 16V K	1	
C681		CK73HXR1C105K	C CAPACITOR	1uF 16V K	1	
C682		CK73HXR1C105K	C CAPACITOR	1uF 16V K	1	
C683		CK73GXR1C225K	C CAPACITOR	2.2uF 16V K	1	
C684		CK73HXR1C105K	C CAPACITOR	1uF 16V K	1	
C685		CK73JXR1C224K	C CAPACITOR	0.22uF 16V K	1	
C686		CK73JXR1C104K	C CAPACITOR	0.1uF 16V K	1	
C687		CK73GXR1C225K	C CAPACITOR	2.2uF 16V K	1	
C688		CK73HXR1C105K	C CAPACITOR	1uF 16V K	1	
C689		CK73GXR1C225K	C CAPACITOR	2.2uF 16V K	1	
C690		CK73GXR1C225K	C CAPACITOR	2.2uF 16V K	1	
C691		CK73FXR0J476M	C CAPACITOR	47uF 6.3V M	1	
C692		CK73FXR0J476M	C CAPACITOR	47uF 6.3V M	1	
C694		CK73FXR1C106K	C CAPACITOR	10uF 16V K	1	
C695		CK73FXR1C106K	C CAPACITOR	10uF 16V K	1	
C696		CK73FXR0J476M	C CAPACITOR	47uF 6.3V M	1	
C697		CK73FXR0J476M	C CAPACITOR	47uF 6.3V M	1	
C701		CK73FXR1C106K	C CAPACITOR	10uF 16V K	1	
C702		CK73GXR1A106K	C CAPACITOR	10uF 10V K	1	
C703		CK73JXR1C104K	C CAPACITOR	0.1uF 16V K	1	
C704		CK73GXR1A106K	C CAPACITOR	10uF 10V K	1	
C705		CK73JXR1C104K	C CAPACITOR	0.1uF 16V K	1	
C706		CK73JXR1C104K	C CAPACITOR	0.1uF 16V K	1	
C707		CK73GXR1A106K	C CAPACITOR	10uF 10V K	1	
C708		CK73JXR1C104K	C CAPACITOR	0.1uF 16V K	1	
C709		CC73JCH1H090D	C CAPACITOR	9pF 50V D	1	
C710		CC73JCH1H090D	C CAPACITOR	9pF 50V D	1	
C711		CK73JXR1C104K	C CAPACITOR	0.1uF 16V K	1	
C712		CK73JXR1C104K	C CAPACITOR	0.1uF 16V K	1	
C751		CK73JXR1H103K	C CAPACITOR	0.01uF 50V K	1	
C754		CK73FXR1C106K	C CAPACITOR	10uF 16V K	1	
C755		CC73JCH1H221J	C CAPACITOR	220pF 50V J	1	
C756		CK73JXR1C104K	C CAPACITOR	0.1uF 16V K	1	
C801		CK73JXR1C104K	C CAPACITOR	0.1uF 16V K	1	
C802		CK73JXR1C104K	C CAPACITOR	0.1uF 16V K	1	
C803		CK73JXR1C104K	C CAPACITOR	0.1uF 16V K	1	
C804		CK73JXR1C104K	C CAPACITOR	0.1uF 16V K	1	
C805		CC73JCH1H120J	C CAPACITOR	12pF 50V J	1	
C806		CC73JCH1H100D	C CAPACITOR	10pF 50V D	1	
C807		CK73GXR0J106M	C CAPACITOR	10uF 6.3V M	1	
C808		CK73JXR1C104K	C CAPACITOR	0.1uF 16V K	1	
C809		CK73FXR1C106K	C CAPACITOR	10uF 16V K	1	
C810		CK73JXR1C104K	C CAPACITOR	0.1uF 16V K	1	
C811		CC73JCH1H221J	C CAPACITOR	220pF 50V J	1	
C812		CK73GXR0J106M	C CAPACITOR	10uF 6.3V M	1	
C813		CK73JXR1C104K	C CAPACITOR	0.1uF 16V K	1	
C815		CK73GXR0J106M	C CAPACITOR	10uF 6.3V M	1	
C816		CK73FXR1C106K	C CAPACITOR	10uF 16V K	1	
C817		CK73GXR0J106M	C CAPACITOR	10uF 6.3V M	1	
C818		CK73FXR1C106K	C CAPACITOR	10uF 16V K	1	
C819		CK73JXR1C104K	C CAPACITOR	0.1uF 16V K	1	
C820		CK73HXR1C105K	C CAPACITOR	1uF 16V K	1	
C822		CK73HXR1C105K	C CAPACITOR	1uF 16V K	1	
C823		CK73HXR1C105K	C CAPACITOR	1uF 16V K	1	
C824		CK73HXR1C105K	C CAPACITOR	1uF 16V K	1	
C825		CK73HXR1C105K	C CAPACITOR	1uF 16V K	1	
C826		CK73HXR1C105K	C CAPACITOR	1uF 16V K	1	
C827		CK73JXR1C104K	C CAPACITOR	0.1uF 16V K	1	
C828		CK73JXR1C104K	C CAPACITOR	0.1uF 16V K	1	
C829		CK73JXR1C104K	C CAPACITOR	0.1uF 16V K	1	
C830		CK73JXR1H103K	C CAPACITOR	0.01uF 50V K	1	
C832		CK73JXR1H102K	C CAPACITOR	1000pF 50V K	1	

MODEL	MARK	MODEL	MARK	MODEL	MARK
DMX9021S	A1	DMX9021S	M1	DMX958XR	K0

Safe	Symbol No.	Parts No.	Parts Name	Description	QTY	Local
	C833	CK73JXR1C104K	C CAPACITOR	0.1uF 16V K	1	
	C834	CK73JXR1H103K	C CAPACITOR	0.01uF 50V K	1	
	C835	CK73HXR1C105K	C CAPACITOR	1uF 16V K	1	
	C836	CK73GXR0J106M	C CAPACITOR	10uF 6.3V M	1	
	C837	CK73HXR1C105K	C CAPACITOR	1uF 16V K	1	
	C838	CK73JXR1H102K	C CAPACITOR	1000pF 50V K	1	
	C839	CK73JXR1H103K	C CAPACITOR	0.01uF 50V K	1	
	C840	CK73FXR1C106K	C CAPACITOR	10uF 16V K	1	
	C841	CK73JXR1C104K	C CAPACITOR	0.1uF 16V K	1	
	C842	CK73HXR1C105K	C CAPACITOR	1uF 16V K	1	
	C843	CK73HXR1C105K	C CAPACITOR	1uF 16V K	1	
	C845	CK73GXR0J106M	C CAPACITOR	10uF 6.3V M	1	
	C846	CK73JXR1H103K	C CAPACITOR	0.01uF 50V K	1	
	C847	CK73JXR1H102K	C CAPACITOR	1000pF 50V K	1	
	C848	CK73JXR1C104K	C CAPACITOR	0.1uF 16V K	1	
	C849	CK73JXR1C104K	C CAPACITOR	0.1uF 16V K	1	
	C850	CK73FXR1C106K	C CAPACITOR	10uF 16V K	1	
	C851	CK73FXR1C106K	C CAPACITOR	10uF 16V K	1	
	C852	CK73FXR1C106K	C CAPACITOR	10uF 16V K	1	
	C853	CK73JXR1H102K	C CAPACITOR	1000pF 50V K	1	
	C855	CK73FXR1C106K	C CAPACITOR	10uF 16V K	1	
	C856	CK73JXR1C104K	C CAPACITOR	0.1uF 16V K	1	
	C862	CK73FXR1C106K	C CAPACITOR	10uF 16V K	1	
	C863	CK73HXR1C105K	C CAPACITOR	1uF 16V K	1	
	C864	CK73JXR1C104K	C CAPACITOR	0.1uF 16V K	1	
	C901	CK73JXR1C104K	C CAPACITOR	0.1uF 16V K	1	
	C902	CK73JXR1C104K	C CAPACITOR	0.1uF 16V K	1	
	C903	CK73HXR1C105K	C CAPACITOR	1uF 16V K	1	
	C911	CK73JXR1C104K	C CAPACITOR	0.1uF 16V K	1	K0
	C912	CK73JXR1C104K	C CAPACITOR	0.1uF 16V K	1	K0
	C921	CK73JXR1C104K	C CAPACITOR	0.1uF 16V K	1	K0
	C922	CK73JXR1C104K	C CAPACITOR	0.1uF 16V K	1	K0
	C931	CK73JXR1C104K	C CAPACITOR	0.1uF 16V K	1	
	C932	CK73JXR1C104K	C CAPACITOR	0.1uF 16V K	1	
	C933	CK73HXR1C105K	C CAPACITOR	1uF 16V K	1	
	C951	CK73JXR1C104K	C CAPACITOR	0.1uF 16V K	1	
	C952	CK73JXR1C104K	C CAPACITOR	0.1uF 16V K	1	
	C961	CK73JXR1C104K	C CAPACITOR	0.1uF 16V K	1	
	C1001	CK73JXR1H102K	C CAPACITOR	1000pF 50V K	1	
	C1002	CK73JXR1H103K	C CAPACITOR	0.01uF 50V K	1	
	C1101	CC73HCH1H030C	C CAPACITOR	3pF 50V C	1	
	C1102	CK73GXR1A475K	C CAPACITOR	4.7uF 10V K	1	
	C1103	CK73JXR1C104K	C CAPACITOR	0.1uF 16V K	1	
	C1104	CC73HCH1H010C	C CAPACITOR	1pF 50V C	1	
	C1105	CC73HCH1H050C	C CAPACITOR	5pF 50V C	1	
	C1106	CC73HCH1H0R5C	C CAPACITOR	0.5pF 50V C	1	
	C1107	CC73JCH1H100D	C CAPACITOR	10pF 50V D	1	
	C1108	CC73JCH1H150J	C CAPACITOR	15pF 50V J	1	
	C1109	CC73HCH1H100D	C CAPACITOR	10pF 50V D	1	
	C1110	CC73JCH1H100D	C CAPACITOR	10pF 50V D	1	
	C1111	CC73JCH1H100D	C CAPACITOR	10pF 50V D	1	
	C1112	CK73JXR1C104K	C CAPACITOR	0.1uF 16V K	1	
	C1113	CC73JCH1H100D	C CAPACITOR	10pF 50V D	1	
	C1114	CK73JXR1C104K	C CAPACITOR	0.1uF 16V K	1	
	C1115	CC73JCH1H100D	C CAPACITOR	10pF 50V D	1	
	C1116	CC73JCH1H100D	C CAPACITOR	10pF 50V D	1	
	C1117	CK73HXR1C105K	C CAPACITOR	1uF 16V K	1	
	C1118	CC73JCH1H100D	C CAPACITOR	10pF 50V D	1	
	C1119	CC73JCH1H100D	C CAPACITOR	10pF 50V D	1	
	C1120	CK73JXR1C104K	C CAPACITOR	0.1uF 16V K	1	
	C1121	CC73HCH1H100D	C CAPACITOR	10pF 50V D	1	
	C1122	CC73HCH1H040C	C CAPACITOR	4pF 50V C	1	
	C1123	CC73HCH1H050C	C CAPACITOR	5pF 50V C	1	
	C1124	CC73HCH1H1R5C	C CAPACITOR	1.5pF 50V C	1	
	C1125	CC73HCH1H0R5C	C CAPACITOR	0.5pF 50V C	1	
	C1126	CK73GXR1C225K	C CAPACITOR	2.2uF 16V K	1	
	C1127	CK73GXR1C225K	C CAPACITOR	2.2uF 16V K	1	
	C1128	CK73JXR1H103K	C CAPACITOR	0.01uF 50V K	1	
	C1129	CK73HXR1C105K	C CAPACITOR	1uF 16V K	1	
	C1130	CK73GXR1A475K	C CAPACITOR	4.7uF 10V K	1	
	C1131	CK73JXR1C104K	C CAPACITOR	0.1uF 16V K	1	
	C1132	CK73GXR1A475K	C CAPACITOR	4.7uF 10V K	1	
	C1301	CK73FXR1C106K	C CAPACITOR	10uF 16V K	1	
	C1302	CK73JXR1H102K	C CAPACITOR	1000pF 50V K	1	
	C1303	CK73GXR0J106M	C CAPACITOR	10uF 6.3V M	1	
	C1304	CC73JCH1H070C	C CAPACITOR	7pF 50V C	1	
	C1305	CC73JCH1H070C	C CAPACITOR	7pF 50V C	1	
	C1306	CC73JCH1H470J	C CAPACITOR	47pF 50V J	1	
	C1308	CK73GXR0J106M	C CAPACITOR	10uF 6.3V M	1	
	C1309	CK73GXR0J106M	C CAPACITOR	10uF 6.3V M	1	
	C1310	CK73JXR1C104K	C CAPACITOR	0.1uF 16V K	1	
	C1311	CK73JXR1C104K	C CAPACITOR	0.1uF 16V K	1	
	C1312	CK73JXR1C104K	C CAPACITOR	0.1uF 16V K	1	
	C1313	CK73JXR1C104K	C CAPACITOR	0.1uF 16V K	1	
	C1314	CK73HXR0J105K	C CAPACITOR	1uF 6.3V K	1	
	C1315	CK73JXR1C104K	C CAPACITOR	0.1uF 16V K	1	
	C1317	CK73JXR1C104K	C CAPACITOR	0.1uF 16V K	1	
	C1318	CK73JXR1C104K	C CAPACITOR	0.1uF 16V K	1	
	C1319	CK73HXR0J105K	C CAPACITOR	1uF 6.3V K	1	
	C1320	CK73JXR1C104K	C CAPACITOR	0.1uF 16V K	1	
	C1321	CK73HXR0J105K	C CAPACITOR	1uF 6.3V K	1	
	C1322	CK73JXR1C104K	C CAPACITOR	0.1uF 16V K	1	
	C1323	CK73JXR1C104K	C CAPACITOR	0.1uF 16V K	1	

MODEL	MARK	MODEL	MARK	MODEL	MARK
DMX9021S	A1	DMX9021S	M1	DMX958XR	K0

Safe	Symbol No.	Parts No.	Parts Name	Description	QTY	Local
	C1324	CK73JXR1C104K	C CAPACITOR	0.1uF 16V K	1	
	C1325	CK73JXR1C104K	C CAPACITOR	0.1uF 16V K	1	
	C1326	CK73JXR1C104K	C CAPACITOR	0.1uF 16V K	1	
	C1327	CK73HXR0J105K	C CAPACITOR	1uF 6.3V K	1	
	C1328	CK73JXR1C104K	C CAPACITOR	0.1uF 16V K	1	
	C1329	CK73JXR1C104K	C CAPACITOR	0.1uF 16V K	1	
	C1330	CK73HXR0J105K	C CAPACITOR	1uF 6.3V K	1	
	C1331	CK73JXR1H102K	C CAPACITOR	1000pF 50V K	1	
	C1334	CK73JXR1C104K	C CAPACITOR	0.1uF 16V K	1	
	C1336	CK73EXR1A476M	C CAPACITOR	47uF 10V M	1	
	C1337	CK73JXR1C104K	C CAPACITOR	0.1uF 16V K	1	
	C1338	CK73JXR1C104K	C CAPACITOR	0.1uF 16V K	1	
	C1339	CK73JXR1C104K	C CAPACITOR	0.1uF 16V K	1	
	C1401	CK73FXR1C106K	C CAPACITOR	10uF 16V K	1	
	C1402	CC73JCH1H070C	C CAPACITOR	7pF 50V C	1	
	C1403	CK73FXR1C106K	C CAPACITOR	10uF 16V K	1	
	C1404	CK73FXR0J226M	C CAPACITOR	22uF 6.3V M	1	
	C1405	CK73JXR1C104K	C CAPACITOR	0.1uF 16V K	1	
	C1406	CK73JXR1C104K	C CAPACITOR	0.1uF 16V K	1	
	C1407	CC73JCH1H070C	C CAPACITOR	7pF 50V C	1	
	C1408	CK73FXR0J226M	C CAPACITOR	22uF 6.3V M	1	
	C1409	CK73FXR0J226M	C CAPACITOR	22uF 6.3V M	1	
	C1410	CK73FXR0J226M	C CAPACITOR	22uF 6.3V M	1	
	C1411	CK73FXR0J226M	C CAPACITOR	22uF 6.3V M	1	
	C1413	CK73JXR1C104K	C CAPACITOR	0.1uF 16V K	1	
	C1414	CK73JXR1C104K	C CAPACITOR	0.1uF 16V K	1	
	C1416	CK73JXR1C104K	C CAPACITOR	0.1uF 16V K	1	
	C1418	CK73JXR1C104K	C CAPACITOR	0.1uF 16V K	1	
	C1421	CK73JXR1C104K	C CAPACITOR	0.1uF 16V K	1	
	C1422	CK73JXR1C104K	C CAPACITOR	0.1uF 16V K	1	
	C1423	CK73JXR1C104K	C CAPACITOR	0.1uF 16V K	1	
	C1424	CK73JXR1C104K	C CAPACITOR	0.1uF 16V K	1	
	C1425	CK73JXR1C104K	C CAPACITOR	0.1uF 16V K	1	
	C1428	CK73JXR1C104K	C CAPACITOR	0.1uF 16V K	1	
	C1429	CK73JXR1C104K	C CAPACITOR	0.1uF 16V K	1	
	C1451	CK73JXR1C104K	C CAPACITOR	0.1uF 16V K	1	
	C1452	CK73JXR1H103K	C CAPACITOR	0.01uF 50V K	1	
	R3	RK73HB1J103J	MG RESISTOR	10kΩ 1/16W J	1	
	R6	RK73HB1J103J	MG RESISTOR	10kΩ 1/16W J	1	
	R7	RK73HB1J103J	MG RESISTOR	10kΩ 1/16W J	1	
	R8	RK73HB1J103J	MG RESISTOR	10kΩ 1/16W J	1	
	R9	RK73HB1J103J	MG RESISTOR	10kΩ 1/16W J	1	
	R10	RK73HB1J752J	MG RESISTOR	7.5kΩ 1/16W J	1	
	R11	RK73HB1J103J	MG RESISTOR	10kΩ 1/16W J	1	
	R12	RK73HB1J103J	MG RESISTOR	10kΩ 1/16W J	1	
	R13	RK73HB1J103J	MG RESISTOR	10kΩ 1/16W J	1	
	R14	RK73HB1J103J	MG RESISTOR	10kΩ 1/16W J	1	
	R17	RK73HH1J243D	MG RESISTOR	24kΩ 1/16W D	1	
	R18	RK73HH1J123D	MG RESISTOR	12kΩ 1/16W D	1	
	R19	RK73HB1J472J	MG RESISTOR	4.7kΩ 1/16W J	1	
	R20	RK73HB1J470J	MG RESISTOR	47Ω 1/16W J	1	
	R21	RK73HB1J470J	MG RESISTOR	47Ω 1/16W J	1	
	R22	RK73HB1J223J	MG RESISTOR	22kΩ 1/16W J	1	
	R23	RK73HB1J470J	MG RESISTOR	47Ω 1/16W J	1	
	R25	RK73HB1J470J	MG RESISTOR	47Ω 1/16W J	1	
	R26	RK73HB1J470J	MG RESISTOR	47Ω 1/16W J	1	
	R27	RK73HB1J470J	MG RESISTOR	47Ω 1/16W J	1	
	R28	RK73HB1J103J	MG RESISTOR	10kΩ 1/16W J	1	
	R29	RK73HB1J182J	MG RESISTOR	1.8kΩ 1/16W J	1	
	R30	RK73HB1J182J	MG RESISTOR	1.8kΩ 1/16W J	1	
	R31	RK73HB1J472J	MG RESISTOR	4.7kΩ 1/16W J	1	
	R32	RK73HB1J103J	MG RESISTOR	10kΩ 1/16W J	1	
	R33	RK73HB1J103J	MG RESISTOR	10kΩ 1/16W J	1	
	R34	RK73HB1J470J	MG RESISTOR	47Ω 1/16W J	1	
	R35	RK73HH1J432D	MG RESISTOR	4.3kΩ 1/16W D	1	
	R36	RK73HB1J103J	MG RESISTOR	10kΩ 1/16W J	1	
	R37	RK73HH1J102D	MG RESISTOR	1kΩ 1/16W D	1	
	R38	RK73HH1J102D	MG RESISTOR	1kΩ 1/16W D	1	
	R39	RK73HB1J101J	MG RESISTOR	100Ω 1/16W J	1	
	R40	RK73HH1J201D	MG RESISTOR	200Ω 1/16W D	1	
	R41	RK73HB1J103J	MG RESISTOR	10kΩ 1/16W J	1	
	R42	RK73HB1J103J	MG RESISTOR	10kΩ 1/16W J	1	
	R43	RK73HB1J103J	MG RESISTOR	10kΩ 1/16W J	1	
	R45	RK73HB1J103J	MG RESISTOR	10kΩ 1/16W J	1	
	R46	RK73HB1J103J	MG RESISTOR	10kΩ 1/16W J	1	
	R47	RK73HB1J103J	MG RESISTOR	10kΩ 1/16W J	1	
	R48	RK73HB1J103J	MG RESISTOR	10kΩ 1/16W J	1	
	R49	RK73HB1J101J	MG RESISTOR	100Ω 1/16W J	1	
	R50	RK73HB1J102J	MG RESISTOR	1kΩ 1/16W J	1	
	R51	RK73HH1J201D	MG RESISTOR	200Ω 1/16W D	1	
	R52	RK73HB1J102J	MG RESISTOR	1kΩ 1/16W J	1	
	R53	RK73HB1J103J	MG RESISTOR	10kΩ 1/16W J	1	
	R54	RK73HB1J272J	MG RESISTOR	2.7kΩ 1/16W J	1	
	R55	RK73HB1J272J	MG RESISTOR	2.7kΩ 1/16W J	1	
	R57	RK73HB1J472J	MG RESISTOR	4.7kΩ 1/16W J	1	
	R58	RK73HB1J472J	MG RESISTOR	4.7kΩ 1/16W J	1	
	R59	RK73HB1J103J	MG RESISTOR	10kΩ 1/16W J	1	
	R60	RK73HB1J103J	MG RESISTOR	10kΩ 1/16W J	1	
	R61	RK73HB1J103J	MG RESISTOR	10kΩ 1/16W J	1	
	R62	RK73HB1J103J	MG RESISTOR	10kΩ 1/16W J	1	
	R63	RK73HB1J272J	MG RESISTOR	2.7kΩ 1/16W J	1	
	R64	RK73HB1J103J	MG RESISTOR	10kΩ 1/16W J	1	

MODEL	MARK	MODEL	MARK	MODEL	MARK
DMX9021S	A1	DMX9021S	M1	DMX958XR	K0

Safe	Symbol No.	Parts No.	Parts Name	Description	QTY	Local
	R65	RK73HB1J472J	MG RESISTOR	4.7kΩ 1/16W J	1	
	R66	RK73HB1J472J	MG RESISTOR	4.7kΩ 1/16W J	1	
	R67	RK73HB1J472J	MG RESISTOR	4.7kΩ 1/16W J	1	
	R68	RK73HH1J104D	MG RESISTOR	100kΩ 1/16W D	1	
	R69	RK73HB1J272J	MG RESISTOR	2.7kΩ 1/16W J	1	
	R70	RK73HB1J473J	MG RESISTOR	47kΩ 1/16W J	1	
	R71	RK73HB1J103J	MG RESISTOR	10kΩ 1/16W J	1	
	R73	RK73HB1J472J	MG RESISTOR	4.7kΩ 1/16W J	1	
	R74	RK73HB1J103J	MG RESISTOR	10kΩ 1/16W J	1	
	R75	RK73HB1J103J	MG RESISTOR	10kΩ 1/16W J	1	
	R76	RK73HB1J103J	MG RESISTOR	10kΩ 1/16W J	1	
	R77	RK73HB1J103J	MG RESISTOR	10kΩ 1/16W J	1	
	R78	RK73HH1J241D	MG RESISTOR	240Ω 1/16W D	1	
	R79	RK73HB1J103J	MG RESISTOR	10kΩ 1/16W J	1	
	R80	RK73HB1J103J	MG RESISTOR	10kΩ 1/16W J	1	
	R84	RK73HB1J105J	MG RESISTOR	1MΩ 1/16W J	1	
	R85	RK73HB1J101J	MG RESISTOR	100Ω 1/16W J	1	
	R86	RK73HB1J182J	MG RESISTOR	1.8kΩ 1/16W J	1	
	R87	RK73HB1J101J	MG RESISTOR	100Ω 1/16W J	1	
	R88	RK73HB1J101J	MG RESISTOR	100Ω 1/16W J	1	
	R89	RK73HB1J182J	MG RESISTOR	1.8kΩ 1/16W J	1	
	R90	RK73HB1J473J	MG RESISTOR	47kΩ 1/16W J	1	
	R91	RK73HB1J272J	MG RESISTOR	2.7kΩ 1/16W J	1	
	R92	RK73HB1J473J	MG RESISTOR	47kΩ 1/16W J	1	
	R93	RK73HB1J272J	MG RESISTOR	2.7kΩ 1/16W J	1	
	R94	RK73HB1J472J	MG RESISTOR	4.7kΩ 1/16W J	1	
	R96	RK73HB1J472J	MG RESISTOR	4.7kΩ 1/16W J	1	
	R98	RK73HB1J272J	MG RESISTOR	2.7kΩ 1/16W J	1	
	R100	RK73HB1J272J	MG RESISTOR	2.7kΩ 1/16W J	1	
	R104	RK73HB1J473J	MG RESISTOR	47kΩ 1/16W J	1	
	R105	RK73HB1J104J	MG RESISTOR	100kΩ 1/16W J	1	
	R106	RK73HB1J102J	MG RESISTOR	1kΩ 1/16W J	1	
	R107	RK73HB1J272J	MG RESISTOR	2.7kΩ 1/16W J	1	
	R151	RK73HH1J102D	MG RESISTOR	1kΩ 1/16W D	1	
	R152	RK73HH1J102D	MG RESISTOR	1kΩ 1/16W D	1	
	R153	RK73HH1J241D	MG RESISTOR	240Ω 1/16W D	1	
	R154	RK73HH1J102D	MG RESISTOR	1kΩ 1/16W D	1	
	R155	RK73HH1J102D	MG RESISTOR	1kΩ 1/16W D	1	
	R201	RK73HH1J102D	MG RESISTOR	1kΩ 1/16W D	1	
	R202	RK73HH1J102D	MG RESISTOR	1kΩ 1/16W D	1	
	R203	RK73HH1J241D	MG RESISTOR	240Ω 1/16W D	1	
	R204	RK73HH1J201D	MG RESISTOR	200Ω 1/16W D	1	
	R205	RK73HH1J102D	MG RESISTOR	1kΩ 1/16W D	1	
	R206	RK73HH1J102D	MG RESISTOR	1kΩ 1/16W D	1	
	R251	RK73HH1J102D	MG RESISTOR	1kΩ 1/16W D	1	
	R252	RK73HH1J102D	MG RESISTOR	1kΩ 1/16W D	1	
	R253	RK73HH1J241D	MG RESISTOR	240Ω 1/16W D	1	
	R254	RK73HH1J201D	MG RESISTOR	200Ω 1/16W D	1	
	R255	RK73HH1J102D	MG RESISTOR	1kΩ 1/16W D	1	
	R256	RK73HH1J102D	MG RESISTOR	1kΩ 1/16W D	1	
	R301	RK73HH1J102D	MG RESISTOR	1kΩ 1/16W D	1	
	R302	RK73HH1J102D	MG RESISTOR	1kΩ 1/16W D	1	
	R303	RK73HH1J241D	MG RESISTOR	240Ω 1/16W D	1	
	R304	RK73HH1J102D	MG RESISTOR	1kΩ 1/16W D	1	
	R305	RK73HH1J102D	MG RESISTOR	1kΩ 1/16W D	1	
	R352	RK73HB1J102J	MG RESISTOR	1kΩ 1/16W J	1	
	R353	RK73HB1J103J	MG RESISTOR	10kΩ 1/16W J	1	
	R354	RK73HB1J103J	MG RESISTOR	10kΩ 1/16W J	1	
	R355	RK73HB1J103J	MG RESISTOR	10kΩ 1/16W J	1	
	R356	RK73HB1J472J	MG RESISTOR	4.7kΩ 1/16W J	1	
	R357	RK73HB1J680J	MG RESISTOR	68Ω 1/16W J	1	
	R358	RK73HB1J680J	MG RESISTOR	68Ω 1/16W J	1	
	R359	RK73HB1J680J	MG RESISTOR	68Ω 1/16W J	1	
	R360	RK73HB1J680J	MG RESISTOR	68Ω 1/16W J	1	
	R361	RK73HB1J680J	MG RESISTOR	68Ω 1/16W J	1	
	R362	RK73HB1J680J	MG RESISTOR	68Ω 1/16W J	1	
	R363	RK73HB1J680J	MG RESISTOR	68Ω 1/16W J	1	
	R364	RK73HB1J680J	MG RESISTOR	68Ω 1/16W J	1	
	R365	RK73HB1J680J	MG RESISTOR	68Ω 1/16W J	1	
	R366	RK73HB1J680J	MG RESISTOR	68Ω 1/16W J	1	
	R367	RK73HB1J680J	MG RESISTOR	68Ω 1/16W J	1	
	R368	RK73HB1J680J	MG RESISTOR	68Ω 1/16W J	1	
	R369	RK73HB1J680J	MG RESISTOR	68Ω 1/16W J	1	
	R370	RK73HB1J680J	MG RESISTOR	68Ω 1/16W J	1	
	R371	RK73HB1J680J	MG RESISTOR	68Ω 1/16W J	1	
	R375	RK73HB1J473J	MG RESISTOR	47kΩ 1/16W J	1	
	R376	RK73HB1J473J	MG RESISTOR	47kΩ 1/16W J	1	
	R377	RK73HB1J473J	MG RESISTOR	47kΩ 1/16W J	1	
	R378	RK73HB1J473J	MG RESISTOR	47kΩ 1/16W J	1	
	R379	RK73HB1J473J	MG RESISTOR	47kΩ 1/16W J	1	
	R380	RK73HB1J473J	MG RESISTOR	47kΩ 1/16W J	1	
	R381	RK73HB1J473J	MG RESISTOR	47kΩ 1/16W J	1	
	R382	RK73HB1J473J	MG RESISTOR	47kΩ 1/16W J	1	
	R383	RK73HB1J473J	MG RESISTOR	47kΩ 1/16W J	1	
	R401	RK73HB1J103J	MG RESISTOR	10kΩ 1/16W J	1	
	R402	RK73HB1J473J	MG RESISTOR	47kΩ 1/16W J	1	
	R404	RK73HB1J101J	MG RESISTOR	100Ω 1/16W J	1	
	R405	RK73HB1J220J	MG RESISTOR	22Ω 1/16W J	1	
	R406	RK73HB1J100J	MG RESISTOR	10Ω 1/16W J	1	
	R407	RK73HB1J220J	MG RESISTOR	22Ω 1/16W J	1	
	R408	RK73HB1J220J	MG RESISTOR	22Ω 1/16W J	1	
	R409	RK73HB1J220J	MG RESISTOR	22Ω 1/16W J	1	

MODEL	MARK	MODEL	MARK	MODEL	MARK
DMX9021S	A1	DMX9021S	M1	DMX958XR	K0

Safe	Symbol No.	Parts No.	Parts Name	Description	QTY	Local
R410		RK73HB1J220J	MG RESISTOR	22Ω 1/16W J	1	
R411		RK73HB1J220J	MG RESISTOR	22Ω 1/16W J	1	
R412		RK73HB1J220J	MG RESISTOR	22Ω 1/16W J	1	
R413		RK73HB1J220J	MG RESISTOR	22Ω 1/16W J	1	
R414		RK73HB1J220J	MG RESISTOR	22Ω 1/16W J	1	
R416		RK73HB1J473J	MG RESISTOR	47kΩ 1/16W J	1	
R417		RK73HB1J473J	MG RESISTOR	47kΩ 1/16W J	1	
R418		RK73HB1J473J	MG RESISTOR	47kΩ 1/16W J	1	
R419		RK73HB1J473J	MG RESISTOR	47kΩ 1/16W J	1	
R420		RK73HB1J473J	MG RESISTOR	47kΩ 1/16W J	1	
R421		RK73HB1J473J	MG RESISTOR	47kΩ 1/16W J	1	
R422		RK73HB1J473J	MG RESISTOR	47kΩ 1/16W J	1	
R423		RK73HB1J473J	MG RESISTOR	47kΩ 1/16W J	1	
R451		RK73HB1J272J	MG RESISTOR	2.7kΩ 1/16W J	1	
R453		RK73HB1J472J	MG RESISTOR	4.7kΩ 1/16W J	1	
R454		RK73HB1J101J	MG RESISTOR	100Ω 1/16W J	1	
R455		RK73HB1J472J	MG RESISTOR	4.7kΩ 1/16W J	1	
R456		RK73HB1J101J	MG RESISTOR	100Ω 1/16W J	1	
R457		RK73HB1J122J	MG RESISTOR	1.2kΩ 1/16W J	1	
R459		RK73HB1J102J	MG RESISTOR	1kΩ 1/16W J	1	
R460		RK73HB1J472J	MG RESISTOR	4.7kΩ 1/16W J	1	
R461		RK73HB1J103J	MG RESISTOR	10kΩ 1/16W J	1	
R462		RK73HB1J103J	MG RESISTOR	10kΩ 1/16W J	1	
R513		RK73HH1J471D	MG RESISTOR	470Ω 1/16W D	1	
R514		RK73HH1J363D	MG RESISTOR	36kΩ 1/16W D	1	
R516		RK73HH1J511D	MG RESISTOR	510Ω 1/16W D	1	
R517		RK73HH1J113D	MG RESISTOR	11kΩ 1/16W D	1	
R518		RK73HB1J104J	MG RESISTOR	100kΩ 1/16W J	1	
R519		RK73HB1J104J	MG RESISTOR	100kΩ 1/16W J	1	
R520		RK73HH1J623D	MG RESISTOR	62kΩ 1/16W D	1	
R521		RK73HB1J000J	MG RESISTOR	0Ω 1/16W J	1	
R522		RK73HB1J100J	MG RESISTOR	10Ω 1/16W J	1	
R523		RK73FB2B331J	MG RESISTOR	330Ω 1/8W J	1	
R524		RK73HH1J100D	MG RESISTOR	10Ω 1/16W D	1	
R531		RK73HB1J102J	MG RESISTOR	1kΩ 1/16W J	1	
R603		RK73HB1J104J	MG RESISTOR	100kΩ 1/16W J	1	
R604		RK73HB1J104J	MG RESISTOR	100kΩ 1/16W J	1	
R606		RK73HH1J912D	MG RESISTOR	9.1kΩ 1/16W D	1	
R607		RK73HH1J432D	MG RESISTOR	4.3kΩ 1/16W D	1	
R608		RK73HH1J822D	MG RESISTOR	8.2kΩ 1/16W D	1	
R609		RK73GB2A101J	MG RESISTOR	100Ω 1/10W J	1	
R610		RZ73F0BX33LF	RESISTOR	33mΩ F	1	
R611		RK73HH1J301D	MG RESISTOR	300Ω 1/16W D	1	
R612		RZ73F0BX33LF	RESISTOR	33mΩ F	1	
R618		RK73HH1J111D	MG RESISTOR	110Ω 1/16W D	1	
R619		RK73HH1J101D	MG RESISTOR	100Ω 1/16W D	1	
R622		RK73HB1J102J	MG RESISTOR	1kΩ 1/16W J	1	
R624		RK73HH1J101D	MG RESISTOR	100Ω 1/16W D	1	
R627		RK73HH1J822D	MG RESISTOR	8.2kΩ 1/16W D	1	
R628		RK73FB2B102J	MG RESISTOR	1kΩ 1/8W J	1	
R629		RK73FB2B102J	MG RESISTOR	1kΩ 1/8W J	1	
R630		RK73HB1J222J	MG RESISTOR	2.2kΩ 1/16W J	1	
R631		RK73HB1J474J	MG RESISTOR	470kΩ 1/16W J	1	
R632		RK73HB1J473J	MG RESISTOR	47kΩ 1/16W J	1	
R633		RK73HB1J473J	MG RESISTOR	47kΩ 1/16W J	1	
R634		RK73HB1J473J	MG RESISTOR	47kΩ 1/16W J	1	
R635		RK73HB1J102J	MG RESISTOR	1kΩ 1/16W J	1	
R641		RK73HB1J102J	MG RESISTOR	1kΩ 1/16W J	1	
R643		RK73HB1J104J	MG RESISTOR	100kΩ 1/16W J	1	
R644		RK73HH1J471D	MG RESISTOR	470Ω 1/16W D	1	
R645		RK73HH1J363D	MG RESISTOR	36kΩ 1/16W D	1	
R647		RK73HH1J272D	MG RESISTOR	2.7kΩ 1/16W D	1	
R648		RK73HH1J912D	MG RESISTOR	9.1kΩ 1/16W D	1	
R649		RK73HB1J104J	MG RESISTOR	100kΩ 1/16W J	1	
R650		RK73HB1J104J	MG RESISTOR	100kΩ 1/16W J	1	
R651		RK73HH1J623D	MG RESISTOR	62kΩ 1/16W D	1	
R653		RK73HB1J000J	MG RESISTOR	0Ω 1/16W J	1	
R654		RK73HB1J100J	MG RESISTOR	10Ω 1/16W J	1	
R655		RK73FB2B471J	MG RESISTOR	470Ω 1/8W J	1	
R671		RK73HB1J103J	MG RESISTOR	10kΩ 1/16W J	1	
R673		RK73HB1J473J	MG RESISTOR	47kΩ 1/16W J	1	
R674		RK73HB1J104J	MG RESISTOR	100kΩ 1/16W J	1	
R677		RK73HB1J103J	MG RESISTOR	10kΩ 1/16W J	1	
R678		RK73HB1J472J	MG RESISTOR	4.7kΩ 1/16W J	1	
R679		RK73HB1J101J	MG RESISTOR	100Ω 1/16W J	1	
R682		RK73HH1J204D	MG RESISTOR	200kΩ 1/16W D	1	
R687		RK73HB1J473J	MG RESISTOR	47kΩ 1/16W J	1	
R688		RK73HB1J222J	MG RESISTOR	2.2kΩ 1/16W J	1	
R690		RK73HB1J104J	MG RESISTOR	100kΩ 1/16W J	1	
R695		RK73HB1J104J	MG RESISTOR	100kΩ 1/16W J	1	
R701		RK73HH1J241D	MG RESISTOR	240Ω 1/16W D	1	
R702		RK73HH1J222D	MG RESISTOR	2.2kΩ 1/16W D	1	
R703		RK73HH1J362D	MG RESISTOR	3.6kΩ 1/16W D	1	
R704		RK73HB1J101J	MG RESISTOR	100Ω 1/16W J	1	
R705		RK73HB1J103J	MG RESISTOR	10kΩ 1/16W J	1	
R707		RK73HB1J103J	MG RESISTOR	10kΩ 1/16W J	1	
R710		RK73HB1J103J	MG RESISTOR	10kΩ 1/16W J	1	
R711		RK73HB1J103J	MG RESISTOR	10kΩ 1/16W J	1	
R714		RK73HB1J103J	MG RESISTOR	10kΩ 1/16W J	1	
R716		RK73HB1J103J	MG RESISTOR	10kΩ 1/16W J	1	
R717		RK73HB1J103J	MG RESISTOR	10kΩ 1/16W J	1	
R718		RK73HB1J103J	MG RESISTOR	10kΩ 1/16W J	1	
R719		RK73HB1J101J	MG RESISTOR	100Ω 1/16W J	1	

MODEL	MARK	MODEL	MARK	MODEL	MARK
DMX9021S	A1	DMX9021S	M1	DMX958XR	K0

Safe	Symbol No.	Parts No.	Parts Name	Description	QTY	Local
	R721	RK73HB1J103J	MG RESISTOR	10kΩ 1/16W J	1	
	R724	RK73HB1J101J	MG RESISTOR	100Ω 1/16W J	1	
	R751	RK73HB1J103J	MG RESISTOR	10kΩ 1/16W J	1	
	R757	RK73HB1J472J	MG RESISTOR	4.7kΩ 1/16W J	1	
	R758	RK73HB1J330J	MG RESISTOR	33Ω 1/16W J	1	
	R759	RK73HB1J330J	MG RESISTOR	33Ω 1/16W J	1	
	R760	RK73HB1J101J	MG RESISTOR	100Ω 1/16W J	1	
	R761	RK73HB1J101J	MG RESISTOR	100Ω 1/16W J	1	
	R762	RK73HB1J101J	MG RESISTOR	100Ω 1/16W J	1	
	R763	RK73HB1J101J	MG RESISTOR	100Ω 1/16W J	1	
	R764	RK73HB1J101J	MG RESISTOR	100Ω 1/16W J	1	
	R765	RK73HB1J101J	MG RESISTOR	100Ω 1/16W J	1	
	R766	RK73HB1J101J	MG RESISTOR	100Ω 1/16W J	1	
	R767	RK73HB1J101J	MG RESISTOR	100Ω 1/16W J	1	
	R768	RK73HB1J101J	MG RESISTOR	100Ω 1/16W J	1	
	R769	RK73HB1J101J	MG RESISTOR	100Ω 1/16W J	1	
	R770	RK73HB1J101J	MG RESISTOR	100Ω 1/16W J	1	
	R771	RK73HB1J101J	MG RESISTOR	100Ω 1/16W J	1	
	R803	RK73HB1J101J	MG RESISTOR	100Ω 1/16W J	1	
	R804	RK73HB1J472J	MG RESISTOR	4.7kΩ 1/16W J	1	
	R805	RK73HB1J472J	MG RESISTOR	4.7kΩ 1/16W J	1	
	R806	RK73HB1J472J	MG RESISTOR	4.7kΩ 1/16W J	1	
	R807	RK73HB1J103J	MG RESISTOR	10kΩ 1/16W J	1	
	R808	RK73HB1J472J	MG RESISTOR	4.7kΩ 1/16W J	1	
	R809	RK73HB1J472J	MG RESISTOR	4.7kΩ 1/16W J	1	
	R810	RK73HB1J101J	MG RESISTOR	100Ω 1/16W J	1	
	R811	RK73HB1J101J	MG RESISTOR	100Ω 1/16W J	1	
	R812	RK73HB1J101J	MG RESISTOR	100Ω 1/16W J	1	
	R813	RK73HB1J472J	MG RESISTOR	4.7kΩ 1/16W J	1	
	R814	RK73HB1J472J	MG RESISTOR	4.7kΩ 1/16W J	1	
	R815	RK73HB1J472J	MG RESISTOR	4.7kΩ 1/16W J	1	
	R816	RK73HB1J330J	MG RESISTOR	33Ω 1/16W J	1	
	R817	RK73HB1J330J	MG RESISTOR	33Ω 1/16W J	1	
	R818	RK73HB1J472J	MG RESISTOR	4.7kΩ 1/16W J	1	
	R819	RK73HB1J224J	MG RESISTOR	220kΩ 1/16W J	1	
	R820	RK73HB1J224J	MG RESISTOR	220kΩ 1/16W J	1	
	R821	RK73HB1J472J	MG RESISTOR	4.7kΩ 1/16W J	1	
	R822	RK73HB1J330J	MG RESISTOR	33Ω 1/16W J	1	
	R823	RK73HB1J472J	MG RESISTOR	4.7kΩ 1/16W J	1	
	R824	RK73HH1J101D	MG RESISTOR	100Ω 1/16W D	1	
	R825	RK73HH1J101D	MG RESISTOR	100Ω 1/16W D	1	
	R826	RK73HB1J102J	MG RESISTOR	1kΩ 1/16W J	1	
	R827	RK73HB1J103J	MG RESISTOR	10kΩ 1/16W J	1	
	R828	RK73HB1J330J	MG RESISTOR	33Ω 1/16W J	1	
	R829	RK73HB1J330J	MG RESISTOR	33Ω 1/16W J	1	
	R830	RK73HB1J105J	MG RESISTOR	1MΩ 1/16W J	1	
	R831	RK73HB1J103J	MG RESISTOR	10kΩ 1/16W J	1	
	R832	RK73HH1J201D	MG RESISTOR	200Ω 1/16W D	1	
	R837	RK73HH1J101D	MG RESISTOR	100Ω 1/16W D	1	
	R841	RK73HH1J101D	MG RESISTOR	100Ω 1/16W D	1	
	R842	RK73HH1J101D	MG RESISTOR	100Ω 1/16W D	1	
	R843	RK73HB1J330J	MG RESISTOR	33Ω 1/16W J	1	
	R844	RK73HB1J330J	MG RESISTOR	33Ω 1/16W J	1	
	R845	RK73HB1J330J	MG RESISTOR	33Ω 1/16W J	1	
	R846	RK73HB1J330J	MG RESISTOR	33Ω 1/16W J	1	
	R847	RK73HB1J330J	MG RESISTOR	33Ω 1/16W J	1	
	R848	RK73HB1J330J	MG RESISTOR	33Ω 1/16W J	1	
	R849	RK73HB1J330J	MG RESISTOR	33Ω 1/16W J	1	
	R850	RK73HB1J330J	MG RESISTOR	33Ω 1/16W J	1	
	R860	RK73HB1J473J	MG RESISTOR	47kΩ 1/16W J	1	
	R863	RK73HH1J271D	MG RESISTOR	270Ω 1/16W D	1	
	R864	RK73HH1J750D	MG RESISTOR	75Ω 1/16W D	1	
	R902	RK73HB1J101J	MG RESISTOR	100Ω 1/16W J	1	K0
	R906	RK73HB1J101J	MG RESISTOR	100Ω 1/16W J	1	K0
	R907	RK73HB1J101J	MG RESISTOR	100Ω 1/16W J	1	K0
	R908	RK73HB1J101J	MG RESISTOR	100Ω 1/16W J	1	K0
	R911	RK73HH1J302D	MG RESISTOR	3kΩ 1/16W D	1	K0
	R912	RK73HB1J101J	MG RESISTOR	100Ω 1/16W J	1	K0
	R913	RK73HB1J104J	MG RESISTOR	100kΩ 1/16W J	1	K0
	R914	RK73HH1J302D	MG RESISTOR	3kΩ 1/16W D	1	K0
	R915	RK73HB1J101J	MG RESISTOR	100Ω 1/16W J	1	K0
	R916	RK73HB1J104J	MG RESISTOR	100kΩ 1/16W J	1	K0
	R921	RK73HH1J302D	MG RESISTOR	3kΩ 1/16W D	1	K0
	R922	RK73HB1J101J	MG RESISTOR	100Ω 1/16W J	1	K0
	R923	RK73HB1J104J	MG RESISTOR	100kΩ 1/16W J	1	K0
	R924	RK73HH1J302D	MG RESISTOR	3kΩ 1/16W D	1	K0
	R925	RK73HB1J101J	MG RESISTOR	100Ω 1/16W J	1	K0
	R926	RK73HB1J104J	MG RESISTOR	100kΩ 1/16W J	1	K0
	R931	RK73HB1J101J	MG RESISTOR	100Ω 1/16W J	1	
	R932	RK73HB1J101J	MG RESISTOR	100Ω 1/16W J	1	
	R933	RK73HB1J101J	MG RESISTOR	100Ω 1/16W J	1	
	R934	RK73HB1J103J	MG RESISTOR	10kΩ 1/16W J	1	A1,M1
	R935	RK73HB1J103J	MG RESISTOR	10kΩ 1/16W J	1	A1,M1
	R936	RK73HB1J103J	MG RESISTOR	10kΩ 1/16W J	1	A1,M1
	R937	RK73HB1J103J	MG RESISTOR	10kΩ 1/16W J	1	A1,M1
	R951	RK73HB1J101J	MG RESISTOR	100Ω 1/16W J	1	
	R952	RK73HB1J104J	MG RESISTOR	100kΩ 1/16W J	1	
	R953	RK73HH1J302D	MG RESISTOR	3kΩ 1/16W D	1	
	R954	RK73HB1J101J	MG RESISTOR	100Ω 1/16W J	1	
	R955	RK73HB1J104J	MG RESISTOR	100kΩ 1/16W J	1	
	R956	RK73HH1J302D	MG RESISTOR	3kΩ 1/16W D	1	
	R957	RK73HB1J101J	MG RESISTOR	100Ω 1/16W J	1	

MODEL	MARK	MODEL	MARK	MODEL	MARK
DMX9021S	A1	DMX9021S	M1	DMX958XR	K0

Safe	Symbol No.	Parts No.	Parts Name	Description	QTY	Local
	R958	RK73HB1J104J	MG RESISTOR	100kΩ 1/16W J	1	
	R959	RK73HH1J302D	MG RESISTOR	3kΩ 1/16W D	1	
	R962	RK73HB1J272J	MG RESISTOR	2.7kΩ 1/16W J	1	
	R963	RK73HB1J104J	MG RESISTOR	100kΩ 1/16W J	1	
	R964	RK73HB1J103J	MG RESISTOR	10kΩ 1/16W J	1	
	R965	RK73HB1J101J	MG RESISTOR	100Ω 1/16W J	1	
	R1001	RK73HB1J472J	MG RESISTOR	4.7kΩ 1/16W J	1	
	R1002	RK73HB1J472J	MG RESISTOR	4.7kΩ 1/16W J	1	
	R1004	RK73HB1J101J	MG RESISTOR	100Ω 1/16W J	1	
	R1005	RK73HB1J101J	MG RESISTOR	100Ω 1/16W J	1	
	R1006	RK73HB1J101J	MG RESISTOR	100Ω 1/16W J	1	
	R1007	RK73HB1J101J	MG RESISTOR	100Ω 1/16W J	1	
	R1013	RK73HB1J101J	MG RESISTOR	100Ω 1/16W J	1	
	R1016	RK73HB1J101J	MG RESISTOR	100Ω 1/16W J	1	
	R1017	RK73HB1J101J	MG RESISTOR	100Ω 1/16W J	1	
	R1018	RK73HB1J101J	MG RESISTOR	100Ω 1/16W J	1	
	R1026	RK73HB1J101J	MG RESISTOR	100Ω 1/16W J	1	
	R1030	RK73HB1J101J	MG RESISTOR	100Ω 1/16W J	1	
	R1031	RK73HB1J101J	MG RESISTOR	100Ω 1/16W J	1	
	R1032	RK73HB1J101J	MG RESISTOR	100Ω 1/16W J	1	
	R1033	RK73HB1J101J	MG RESISTOR	100Ω 1/16W J	1	
	R1035	RK73HB1J101J	MG RESISTOR	100Ω 1/16W J	1	
	R1038	RK73HB1J101J	MG RESISTOR	100Ω 1/16W J	1	
	R1039	RK73HB1J101J	MG RESISTOR	100Ω 1/16W J	1	
	R1040	RK73HB1J101J	MG RESISTOR	100Ω 1/16W J	1	
	R1048	RK73HB1J000J	MG RESISTOR	0Ω 1/16W J	1	K0
	R1049	RK73HB1J000J	MG RESISTOR	0Ω 1/16W J	1	K0
	R1050	RK73HB1J000J	MG RESISTOR	0Ω 1/16W J	1	K0
	R1051	RK73HB1J000J	MG RESISTOR	0Ω 1/16W J	1	K0
	R1054	RK73HB1J272J	MG RESISTOR	2.7kΩ 1/16W J	1	
	R1058	RK73HB1J103J	MG RESISTOR	10kΩ 1/16W J	1	
	R1059	RK73HB1J103J	MG RESISTOR	10kΩ 1/16W J	1	
	R1060	RK73HB1J103J	MG RESISTOR	10kΩ 1/16W J	1	
	R1061	RK73HB1J103J	MG RESISTOR	10kΩ 1/16W J	1	
	R1102	RK73HB1J102J	MG RESISTOR	1kΩ 1/16W J	1	
	R1104	RK73HB1J103J	MG RESISTOR	10kΩ 1/16W J	1	
	R1105	RK73HB1J272J	MG RESISTOR	2.7kΩ 1/16W J	1	
	R1106	RK73HB1J103J	MG RESISTOR	10kΩ 1/16W J	1	
	R1107	RK73HB1J103J	MG RESISTOR	10kΩ 1/16W J	1	
	R1108	RK73HB1J272J	MG RESISTOR	2.7kΩ 1/16W J	1	
	R1109	RK73HB1J330J	MG RESISTOR	33Ω 1/16W J	1	
	R1110	RK73HB1J330J	MG RESISTOR	33Ω 1/16W J	1	
	R1111	RK73HB1J330J	MG RESISTOR	33Ω 1/16W J	1	
	R1112	RK73HB1J330J	MG RESISTOR	33Ω 1/16W J	1	
	R1113	RK73HB1J330J	MG RESISTOR	33Ω 1/16W J	1	
	R1116	RK73HB1J473J	MG RESISTOR	47kΩ 1/16W J	1	
	R1117	RK73HB1J473J	MG RESISTOR	47kΩ 1/16W J	1	
	R1118	RK73HB1J473J	MG RESISTOR	47kΩ 1/16W J	1	
	R1120	RK73HB1J473J	MG RESISTOR	47kΩ 1/16W J	1	
	R1121	RK73HB1J473J	MG RESISTOR	47kΩ 1/16W J	1	
	R1123	RK73HB1J101J	MG RESISTOR	100Ω 1/16W J	1	
	R1124	RK73HB1J101J	MG RESISTOR	100Ω 1/16W J	1	
	R1125	RK73HB1J680J	MG RESISTOR	68Ω 1/16W J	1	
	R1127	RK73HB1J680J	MG RESISTOR	68Ω 1/16W J	1	
	R1128	RK73HB1J680J	MG RESISTOR	68Ω 1/16W J	1	
	R1129	RK73HH1J330D	MG RESISTOR	33Ω 1/16W D	1	
	R1130	RK73HH1J331D	MG RESISTOR	330Ω 1/16W D	1	
	R1131	RK73HH1J820D	MG RESISTOR	82Ω 1/16W D	1	
	R1132	RK73HH1J243D	MG RESISTOR	24kΩ 1/16W D	1	
	R1133	RK73HH1J622D	MG RESISTOR	6.2kΩ 1/16W D	1	
	R1136	RK73HH1J121D	MG RESISTOR	120Ω 1/16W D	1	
	R1137	RK73GB2A101J	MG RESISTOR	100Ω 1/10W J	1	
	R1201	RK73HB1J220J	MG RESISTOR	22Ω 1/16W J	1	
	R1202	RK73HB1J220J	MG RESISTOR	22Ω 1/16W J	1	
	R1203	RK73HB1J101J	MG RESISTOR	100Ω 1/16W J	1	
	R1204	RK73HB1J101J	MG RESISTOR	100Ω 1/16W J	1	
	R1205	RK73HB1J101J	MG RESISTOR	100Ω 1/16W J	1	
	R1206	RK73HB1J101J	MG RESISTOR	100Ω 1/16W J	1	
	R1207	RK73HB1J220J	MG RESISTOR	22Ω 1/16W J	1	
	R1209	RK73HB1J220J	MG RESISTOR	22Ω 1/16W J	1	
	R1210	RK73HB1J220J	MG RESISTOR	22Ω 1/16W J	1	
	R1211	RK73HB1J220J	MG RESISTOR	22Ω 1/16W J	1	
	R1212	RK73HB1J220J	MG RESISTOR	22Ω 1/16W J	1	
	R1213	RK73HB1J220J	MG RESISTOR	22Ω 1/16W J	1	
	R1216	RK73HB1J103J	MG RESISTOR	10kΩ 1/16W J	1	
	R1217	RK73HB1J103J	MG RESISTOR	10kΩ 1/16W J	1	
	R1221	RK73HB1J472J	MG RESISTOR	4.7kΩ 1/16W J	1	
	R1222	RK73HB1J472J	MG RESISTOR	4.7kΩ 1/16W J	1	
	R1224	RK73HB1J472J	MG RESISTOR	4.7kΩ 1/16W J	1	
	R1225	RK73HB1J472J	MG RESISTOR	4.7kΩ 1/16W J	1	
	R1226	RK73HB1J472J	MG RESISTOR	4.7kΩ 1/16W J	1	
	R1227	RK73HB1J103J	MG RESISTOR	10kΩ 1/16W J	1	
	R1228	RK73HB1J472J	MG RESISTOR	4.7kΩ 1/16W J	1	
	R1301	RK73HB1J101J	MG RESISTOR	100Ω 1/16W J	1	
	R1302	RK73HB1J272J	MG RESISTOR	2.7kΩ 1/16W J	1	
	R1303	RK73HB1J472J	MG RESISTOR	4.7kΩ 1/16W J	1	
	R1304	RK73GB2A390J	MG RESISTOR	39Ω 1/10W J	1	
	R1305	RK73HB1J000J	MG RESISTOR	0Ω 1/16W J	1	
	R1306	RK73HB1J330J	MG RESISTOR	33Ω 1/16W J	1	
	R1307	RK73HB1J330J	MG RESISTOR	33Ω 1/16W J	1	
	R1308	RK73HB1J105J	MG RESISTOR	1MΩ 1/16W J	1	
	R1309	RK73HB1J330J	MG RESISTOR	33Ω 1/16W J	1	
	R1310	RK73HB1J270J	MG RESISTOR	27Ω 1/16W J	1	

MODEL	MARK	MODEL	MARK	MODEL	MARK
DMX9021S	A1	DMX9021S	M1	DMX958XR	K0

Safe	Symbol No.	Parts No.	Parts Name	Description	QTY	Local
	R1312	RK73HB1J270J	MG RESISTOR	27Ω 1/16W J	1	
	R1313	RK73HB1J270J	MG RESISTOR	27Ω 1/16W J	1	
	R1314	RK73HB1J270J	MG RESISTOR	27Ω 1/16W J	1	
	R1316	RK73HB1J270J	MG RESISTOR	27Ω 1/16W J	1	
	R1317	RK73HB1J270J	MG RESISTOR	27Ω 1/16W J	1	
	R1318	RK73HB1J270J	MG RESISTOR	27Ω 1/16W J	1	
	R1319	RK73HB1J270J	MG RESISTOR	27Ω 1/16W J	1	
	R1320	RK73HB1J330J	MG RESISTOR	33Ω 1/16W J	1	
	R1321	RK73HB1J330J	MG RESISTOR	33Ω 1/16W J	1	
	R1322	RK73HB1J152J	MG RESISTOR	1.5kΩ 1/16W J	1	
	R1323	RK73HB1J272J	MG RESISTOR	2.7kΩ 1/16W J	1	
	R1324	RK73HB1J225J	MG RESISTOR	2.2MΩ 1/16W J	1	
	R1325	RK73HB1J103J	MG RESISTOR	10kΩ 1/16W J	1	
	R1327	RK73HB1J103J	MG RESISTOR	10kΩ 1/16W J	1	
	R1328	RK73HB1J101J	MG RESISTOR	100Ω 1/16W J	1	
	R1329	RK73HB1J101J	MG RESISTOR	100Ω 1/16W J	1	
	R1330	RK73HB1J330J	MG RESISTOR	33Ω 1/16W J	1	
	R1331	RK73HB1J103J	MG RESISTOR	10kΩ 1/16W J	1	
	R1332	RK73HB1J330J	MG RESISTOR	33Ω 1/16W J	1	
	R1333	RK73HB1J330J	MG RESISTOR	33Ω 1/16W J	1	
	R1401	RK73HB1J220J	MG RESISTOR	22Ω 1/16W J	1	
	R1402	RK73HB1J220J	MG RESISTOR	22Ω 1/16W J	1	
	R1403	RK73HB1J220J	MG RESISTOR	22Ω 1/16W J	1	
	R1404	RK73HB1J220J	MG RESISTOR	22Ω 1/16W J	1	
	R1405	RK73HB1J105J	MG RESISTOR	1MΩ 1/16W J	1	
	R1408	RK73HB1J152J	MG RESISTOR	1.5kΩ 1/16W J	1	
	R1409	RK73HB1J220J	MG RESISTOR	22Ω 1/16W J	1	
	R1410	RK73HB1J220J	MG RESISTOR	22Ω 1/16W J	1	
	R1411	RK73HB1J220J	MG RESISTOR	22Ω 1/16W J	1	
	R1412	RK73HB1J220J	MG RESISTOR	22Ω 1/16W J	1	
	R1413	RK73HB1J100J	MG RESISTOR	10Ω 1/16W J	1	
	R1414	RK73HB1J220J	MG RESISTOR	22Ω 1/16W J	1	
	R1415	RK73HB1J100J	MG RESISTOR	10Ω 1/16W J	1	
	R1416	RK73HB1J220J	MG RESISTOR	22Ω 1/16W J	1	
	R1417	RK73HB1J220J	MG RESISTOR	22Ω 1/16W J	1	
	R1418	RK73HB1J220J	MG RESISTOR	22Ω 1/16W J	1	
	R1451	RK73HB1J103J	MG RESISTOR	10kΩ 1/16W J	1	
	R1452	RK73HB1J103J	MG RESISTOR	10kΩ 1/16W J	1	
	R1453	RK73HB1J272J	MG RESISTOR	2.7kΩ 1/16W J	1	
	R1456	RK73GB2A151J	MG RESISTOR	150Ω 1/10W J	1	
	R1457	RK73GB2A151J	MG RESISTOR	150Ω 1/10W J	1	
	R1458	RK73GB2A151J	MG RESISTOR	150Ω 1/10W J	1	
	R1459	RK73GB2A151J	MG RESISTOR	150Ω 1/10W J	1	
	L1	LB73G0ED-003	CHIP FERRITE		1	
	L2	LB73G0ED-003	CHIP FERRITE		1	
	L512	LR79Z0PB2R2M	CHIP INDUCTOR		1	
	L601	LR79Z0PX2R0N	CHIP INDUCTOR		1	
	L642	LR79Z0PB2R2M	CHIP INDUCTOR		1	
	L671	LR77Z0AK1R0M	CHIP INDUCTOR		1	
	L672	LR77Z0AK1R0M	CHIP INDUCTOR		1	
	L673	LR77Z0AK1R0M	CHIP INDUCTOR		1	
	L674	LR77Z0AK1R0M	CHIP INDUCTOR		1	
	L675	LB73H0DZ-001	CHIP FERRITE		1	
	L676	LB73H0DZ-001	CHIP FERRITE		1	
	L701	LB73G0ED-004	CHIP FERRITE		1	
	L702	L3D-0039-00	CHOKE COIL		1	
	L751	LR79Z0JP5R1N	CHIP INDUCTOR		1	
	L801	LB73G0ED-004	CHIP FERRITE		1	
	L802	LB73G0ED-004	CHIP FERRITE		1	
	L803	LB73G0ED-004	CHIP FERRITE		1	
	L804	LB73G0ED-004	CHIP FERRITE		1	
	L805	LB73G0ED-004	CHIP FERRITE		1	
	L862	LB73G0ED-004	CHIP FERRITE		1	
	L1101	LK73H0AM2N2S	M.CHIP INDUCTOR		1	
	L1102	LB73G0ED-004	CHIP FERRITE		1	
	L1103	LB73G0ED-004	CHIP FERRITE		1	
	L1104	LB73G0ED-004	CHIP FERRITE		1	
	L1106	LB73G0ED-004	CHIP FERRITE		1	
	L1301	LB73G0ED-004	CHIP FERRITE		1	
	L1302	LB73G0ED-004	CHIP FERRITE		1	
	L1401	LB73G0ED-004	CHIP FERRITE		1	
	L1402	LB73G0ED-004	CHIP FERRITE		1	
	L1403	LB73G0ED-004	CHIP FERRITE		1	
	L1404	LB73G0ED-004	CHIP FERRITE		1	
	L1405	LB73G0ED-004	CHIP FERRITE		1	
	L1406	LB73G0ED-004	CHIP FERRITE		1	
	A1101	W0C-0340-00	RF MODULE		1	
	AT1101	T9A-0052-00	CHIP ANTENNA		1	
	AT1102	T9A-0052-00	CHIP ANTENNA		1	
	CN751	EC720CF-0560A	FFC FPC CONNE		1	
	CN1001	EB770AX-05A0A	B TO B CONNE		1	
	CN1201	EC720AT-0516A	FFC FPC CONNE		1	
△	F751	FZA10BF-R50	FUSE (CC)		1	
	J601	E5J-0253-00	USB TERMINAL		1	
	J1301	E5J-0218-00	HDMI TERMINAL		1	
	VA601	SDV1005H26//0	VARIATOR		1	
	VA602	SDV1005H26//0	VARIATOR		1	
	VA1301	EZJZ0V80010	VARIATOR		1	
	VA1302	EZJZ0V80010	VARIATOR		1	
	VA1303	EZJZ0V80010	VARIATOR		1	
	VA1305	F0K-0176-00	SURGE ABSORBER		1	
	VA1306	F0K-0176-00	SURGE ABSORBER		1	

MODEL	MARK	MODEL	MARK	MODEL	MARK
DMX9021S	A1	DMX9021S	M1	DMX958XR	K0

Safe	Symbol No.	Parts No.	Parts Name	Description	QTY	Local
	VA1307	EZJZ0V80010	VARIATOR		1	
	VA1308	EZJP0270EA	VARIATOR		1	
	X1	L7J-0138-00	QUARTZ CRYSTAL		1	
	X701	L7J-0029-00	QUARTZ CRYSTAL		1	
	X801	L7J-0146-00	QUARTZ CRYSTAL		1	
	X1101	L7H-0052-00	SPXO		1	
	X1301	L7J-0052-00	QUARTZ CRYSTAL		1	
	X1401	L7J-0052-00	QUARTZ CRYSTAL		1	
OPERATION PWB ASSY (XJ7-042K-00) <XJ7>						
	IC1	PICA38603-NV	IR DETECT UNIT		1	
	D1	NSSM124	LED		1	
	D2	NSSM124	LED		1	
	D3	NSSM124	LED		1	
	D4	NSSM124	LED		1	
	C1	CK73GXR1A105K	C CAPACITOR	1uF 10V K	1	
	C2	CK73HXR1C104K	C CAPACITOR	0.1uF 16V K	1	
	R1	RK73GB2A333J	MG RESISTOR	33kΩ 1/10W J	1	
	R2	RK73GB2A103J	MG RESISTOR	10kΩ 1/10W J	1	
	R3	RK73GB2A472J	MG RESISTOR	4.7kΩ 1/10W J	1	
	R4	RK73GB2A332J	MG RESISTOR	3.3kΩ 1/10W J	1	
	R5	RK73HB1J000J	MG RESISTOR	0Ω 1/16W J	1	
	CN1	EC720AT-0513A	FFC FPC CONNE		1	
	S1	S7A-0001-00	TACTILE PUSH SW		1	
	S2	S7A-0001-00	TACTILE PUSH SW		1	
	S3	S7A-0001-00	TACTILE PUSH SW		1	
	S4	S7A-0001-00	TACTILE PUSH SW		1	
	S5	S7A-0001-00	TACTILE PUSH SW		1	
	S6	S7A-0001-00	TACTILE PUSH SW		1	
	S7	S7A-0001-00	TACTILE PUSH SW		1	