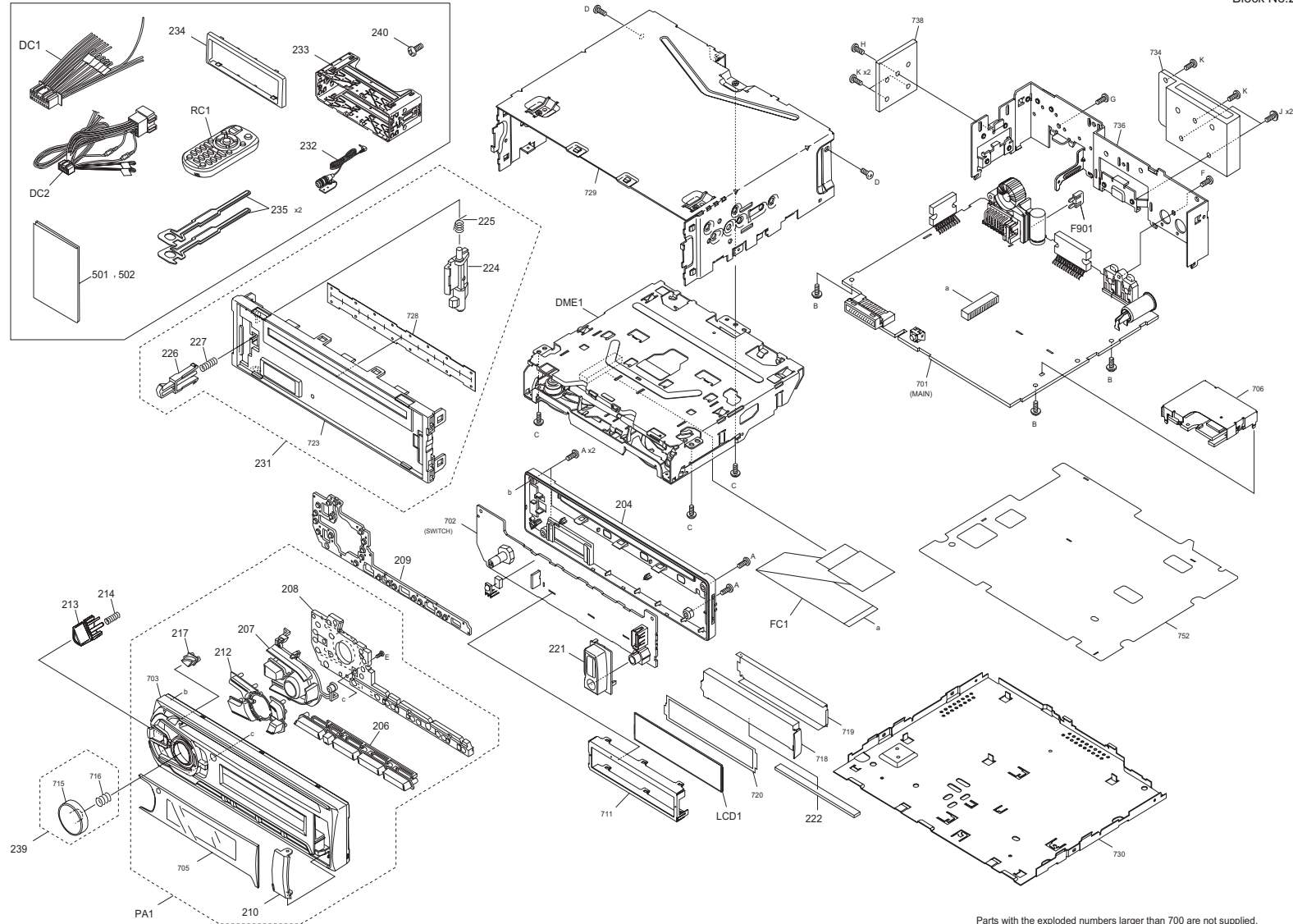


EXPLODED VIEW (UNIT)

Block No.200



Parts with the exploded numbers larger than 700 are not supplied.

MODEL	MARK	MODEL	MARK
KDC-BT318U	K0	KDC-BT34U	E1

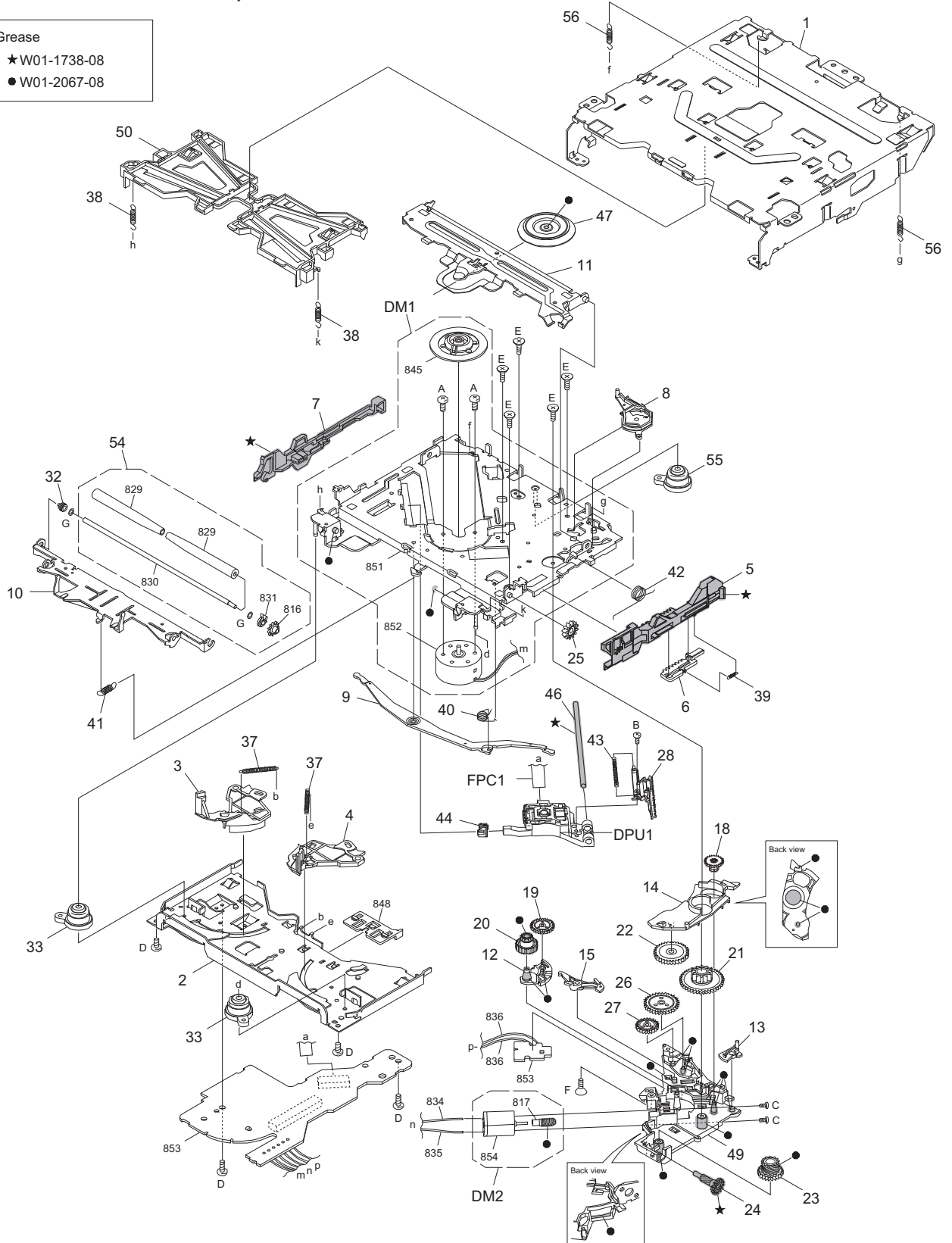
Safe	Symbol No.	Parts No.	Parts Name	Description	QTY	Local
EXPLODED VIEW (UNIT) <200>						
	DC1	QAM1341-001	DC CORD		1	K0
	DC2	QAM1339-002	DC CORD		1	E1
	DME1	FC2-3A00NXN	CD MECHA ASSY (Made at JEIN)		1	
	DME1	or X92-6830-01	CD MECHA ASSY (Made at KETM)		1	
△	F901	QMFZ064-100-J1	FUSE	10A	1	
	FC1	WJT0307-001A-E	E-CARD WIRE		1	
	LCD1	QLD0726-001	LCD MODULE		1	
	PA1	GE20353-065A	FRONT PANEL ASSY		1	K0
	PA1	GE20353-066A	FRONT PANEL ASSY		1	E1
	RC1	QAL1303-004	REMOTE CONTROL UNIT		1	K0
A		QYSDSF2008ZA	TAP SCREW	M2 x 8mm	4	
B		GE40377-002A	SCREW		3	
C		QYSDST2604ZA	TAP SCREW	M2.6 x 4mm	3	
D		QYSDST2606ZA	TAP SCREW	M2.6 x 6mm	2	
E		QYSPSF2006ZA	TAP SCREW	M2 x 6mm	1	
F		QYSDSF2608ZA	TAP SCREW	M2.6 x 8mm	1	
G		QYSDSG3006ZA	TAP SCREW	M3 x 6mm	1	
H		QYSDST2608ZA	TAP SCREW	M2.6 x 8mm	1	
J		GE40377-005A	SPECIAL SCREW		2	
K		QYSDST2610ZA	TAP SCREW	M2.6 x 10mm	4	
	204	GE10384-001A	REAR COVER		1	
	206	GE20344-004A	PRESET BUTTON		1	
	207	GE20343-005A	ACC BTN		1	
	208	GE10382-001A	LIGHT GUIDE		1	
	209	GE20345-001A	CONDUCT. RUBBER		1	
	210	GE35665-001A	USB DOOR		1	
	212	GE20367-002A	COMBINE BUTTON		1	
	213	GE35663-001A	DETACH BUTTON		1	
	214	GE40505-003A	SPRING		1	
	217	GE35658-002A	EJECT BUTTON		1	
	221	GE35664-001A	USB HOLDER		1	
	222	QNZ1117-001	RUBBER CONNE		1	
	224	GE35686-001A	LOCK LEVER		1	
	225	GE40504-001A	SPRING		1	
	226	GE35687-001A	RELEASE LEVER		1	
	227	GE40505-001A	SPRING		1	
	231	GE35691-001A	F.CHASSIS ASSY		1	K0
	231	GE35691-002A	F.CHASSIS ASSY		1	E1
	232	QAN0126-001	MICROPHONE		1	
	233	GE20362-001A	MOUNTING SLEEVE		1	
	234	GE20352-001A	TRIM PLATE		1	
	235	GE40685-001A	HOOK		2	
	239	GE40675-001A	VOL KNOB ASSY		1	
	240	QYSPSF2008ZA	TAP SCREW	M2 x 8mm	1	K0
	501	GET0996-001A	INST MANUAL	ENG FRE SPA	1	K0
	501	GET0998-001A	INST MANUAL	ENG GER RUS	1	E1
	502	GET0998-002A	INST MANUAL	FRE SPA ITA POR DUT	1	E1

EXPLODED VIEW (CD MECHANISM: FC2-3A00NXN)

Block No.130A

The differences between X92-6830-01 and FC2-3A00NXN,
please refer to SECTION 2 "How to identify the CD mechanism ASSY".

Grease
 ★ W01-1738-08
 ● W01-2067-08



Parts with the exploded numbers larger than 800 are not supplied.

MODEL	MARK	MODEL	MARK
KDC-BT318U	K0	KDC-BT34U	E1

Safe	Symbol No.	Parts No.	Parts Name	Description	QTY	Local
------	------------	-----------	------------	-------------	-----	-------

EXPLODED VIEW (CD MECHANISM: FC2-3A00NXN) <130A>

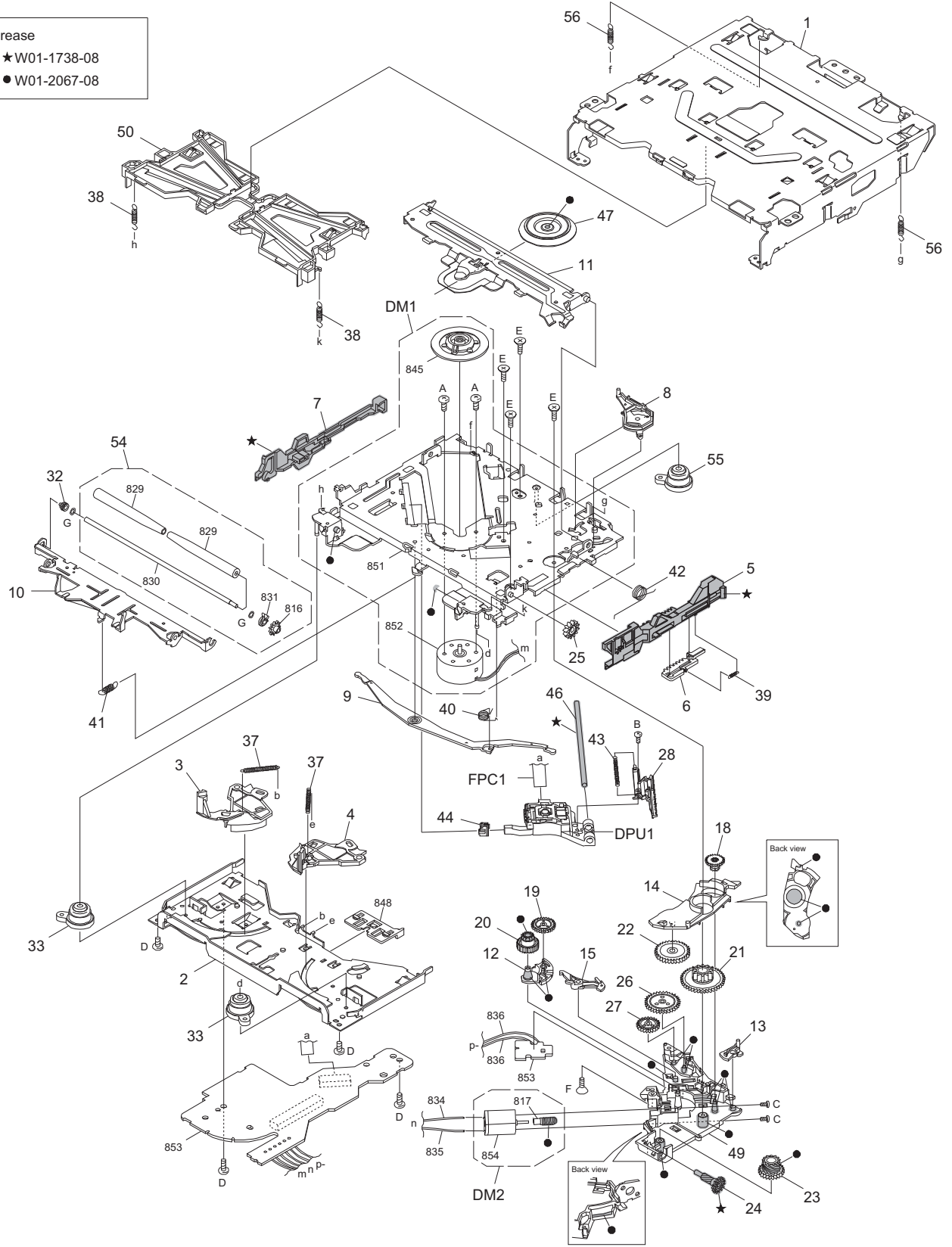
△	DPU1	QAL1521-001	PICK UP		1	
	DM1	CM-FC2-MD	MD CHASSIS ASSY		1	
	DM2	CM-FC2-M	LOADING MOTOR ASSY		1	
	FPC1	QAL1465-001	FPC		1	
	A	LV45568-001A	MINI SCREW		2	
	B	QYSPSGT1745ZA	TAP SCREW	M1.7 x 4.5mm	1	
	C	QYSPSPT2025MA	SCREW	M2 x 2.5mm	2	
	D	VKZ4539-054	MINI SCREW		4	
	E	LV45818-001A	G.HOLDER SCREW		5	
	F	LV45815-001A	M. SHAFT SCREW		1	
	G	LV45816-001A	ROLLER WASHER		2	
	1	LV11877-002A	OUTER CHASSIS		1	
	2	LV11878-002A	LOWER CHASSIS		1	
	3	LV3A174-001A	DISC ARM L		1	
	4	LV3A175-001A	DISC ARM R		1	
	5	LV23057-001A	SLIDER R		1	
	6	LV3A178-001A	TRIGGER SLIDER		1	
	7	LV23058-001A	SLIDER L		1	
	8	LV3A179-001A	TRIGGER ARM		1	
	9	LV3A173-001A	JOINT LEVER		1	
	10	LV23055-002A	ROLLER LEVER		1	
	11	LV23056-001A	CLAMP ARM		1	
	12	LV3A181-001A	TRANSFER ARM		1	
	13	LV45797-002A	SL LOCK CAM		1	
	14	LV3A182-002A	SL LOCK ARM		1	
	15	LV3A183-001A	PICK LOCK ARM		1	
	18	LV3A187-002A	HELICAL GEAR 1		1	
	19	LV3A188-001A	TRANSFER GEAR		1	
	20	LV3A189-001A	LOAD GEAR H		1	
	21	LV3A190-001A	DRIVE GEAR		1	
	22	LV3A191-001A	JOINT GEAR		1	
	23	LV3A192-001A	WORM GEAR 2		1	
	24	LV3A193-001A	HELICAL GEAR 2		1	
	25	LV3A194-001A	LOAD GEAR V		1	
	26	LV3A195-001A	PICK GEAR 1		1	
	27	LV3A196-001A	PICK GEAR 2		1	
	28	LV3A197-001A	RACK GEAR		1	
	32	LV45796-001A	R.RETAINER L		1	
	33	D39-0403-05	DAMPER F		2	
	37	LV45808-001A	DISC ARM SPRING		2	
	38	LV45809-001A	FLOAT SPRING(F)		2	
	39	LV45810-001A	TRIGGER SPRING		1	
	40	LV45811-001A	LOAD SPRING		1	
	41	LV45812-001A	ROLLER SPRING		1	
	42	LV45813-001A	CLAMP SPRING		1	
	43	LV45814-001A	PICK SPRING		1	
	44	LV36813-201A	SUB GUIDE CAP		1	
	46	LV44555-001A	MAIN SHAFT		1	
	47	LV3A180-001A	CLAMPER		1	
	49	LV11881-002A	GEAR HOLDER		1	
	50	LV11880-003A	DISC GUIDE		1	
	54	CM-FC2-R	ROLLER ASSY		1	
	55	D39-0404-05	DAMPER R		1	
	56	LV45835-001A	FLOAT SPRING(R)		2	

EXPLODED VIEW (CD MECHANISM: X92-6830-01)

Block No.130B

The differences between X92-6830-01 and FC2-3A00NXN,
please refer to SECTION 2 "How to identify the CD mechanism ASSY".

Grease
 ★ W01-1738-08
 ● W01-2067-08



Parts with the exploded numbers larger than 800 are not supplied.

MODEL	MARK	MODEL	MARK
KDC-BT318U	K0	KDC-BT34U	E1

Safe	Symbol No.	Parts No.	Parts Name	Description	QTY	Local
------	------------	-----------	------------	-------------	-----	-------

EXPLODED VIEW (CD MECHANISM: X92-6830-01) <130B>

	DM1	X94-2230-00	MD CHASSIS ASSY		1	
	DM2	X94-2240-00	LOADING MOTOR ASSY		1	
△	DPU1	QAL1521-001	PICK UP		1	
	FPC1	QAL1465-001	FPC		1	
A		LV45568-001A	MINI SCREW		2	
B		QYSPSGT1745ZA	TAP SCREW	M1.7 x 4.5mm	1	
C		QYSPSPT2025MA	SCREW	M2 x 2.5mm	2	
D		N09-6108-15	MINI SCREW		4	
E		N09-6738-15	G.HOLDER SCREW		4	
F		N09-6921-05	M. SHAFT SCREW		1	
G		N19-2356-04	FLAT WASHER		2	
1		A10-5625-21	OUTER CHASSIS		1	
2		A10-5626-01	LOWER CHASSIS		1	
3		D10-7174-03	DISC ARM L		1	
4		D10-7175-03	DISC ARM R		1	
5		D10-7177-02	SLIDER R		1	
6		D10-7178-03	TRIGGER SLIDER		1	
7		D10-7179-02	SLIDER L		1	
8		D10-7180-03	TRIGGER ARM		1	
9		D10-7181-13	JOINT LEVER		1	
10		D10-7182-12	ROLLER LEVER		1	
11		D10-7183-02	CLAMP ARM		1	
12		D10-7184-03	TRANSFER ARM		1	
13		D10-7185-04	SL LOCK CAM		1	
14		D10-7186-03	SL LOCK ARM		1	
15		D10-7187-13	PICK LOCK ARM		1	
18		D13-3104-04	HELICAL GEAR 1		1	
19		D13-3105-04	TRANSFER GEAR		1	
20		D13-3106-04	LOAD GEAR H		1	
21		D13-3107-04	DRIVE GEAR		1	
22		D13-3108-04	JOINT GEAR		1	
23		D13-3109-04	WORM GEAR 2		1	
24		D13-3110-04	HELICAL GEAR 2		1	
25		D13-3111-04	LOAD GEAR V		1	
26		D13-3112-04	PICK GEAR 1		1	
27		D13-3113-04	PICK GEAR 2		1	
28		D13-3114-03	RACK GEAR		1	
32		D23-0974-14	R.RETAINER L		1	
33		D39-0403-05	DAMPER F		2	
37		G01-4810-04	DISC ARM SPRING		2	
38		G01-4829-04	FLOAT SPRING(F)		2	
39		G01-4813-04	TRIGGER SPRING		1	
40		G01-4814-04	LOAD SPRING		1	
41		G01-4815-04	ROLLER SPRING		1	
42		G01-4816-04	CLAMP SPRING		1	
43		G01-4817-04	PICK SPRING		1	
44		LV36813-501A	SUB GUIDE CAP		1	
46		LV44555-001A	MAIN SHAFT		1	
47		J11-0692-03	CLAMPER		1	
49		J19-7360-21	GEAR HOLDER		1	
50		J90-1209-21	DISC GUIDE		1	
54		X94-2250-00	ROLLER ASSY		1	
55		D39-0404-05	DAMPER R		1	
56		G01-4812-04	FLOAT SPRING(R)		2	

MODEL	MARK	MODEL	MARK
KDC-BT318U	K0	KDC-BT34U	E1

Safe	Symbol No.	Parts No.	Parts Name	Description	QTY	Local
MAIN PWB ASSY (GEA10374-1xA) <ER>						
△	IC1	TEF6657HN-X	IC		1	
	IC60	BD9876AEFJ-X	IC		1	
	IC80	MFI337S3959-X	IC		1	
	IC161	TDA7718B-X	IC		1	
△	IC301	JCV8031	IC		1	
△	IC701	R5S726A0D216FP	IC		1	
	IC710	BR24T02FJ-W-X	IC		1	
	IC720	BU4228F-W	IC		1	
△	IC840	JES269E	IC		1	
△	IC901	LV5684NPVD	IC		1	
	IC930	BU33TD3WG-W	IC		1	
	IC931	BU33TD3WG-W	IC		1	
	IC943	BU1CTD3WG-W	IC		1	
	IC981	BD9876AEFJ-X	IC		1	
	IC982	NCP380HSNAJAA-X	IC		1	
	Q91	2SC1623/5-6/-X	TRANSISTOR		1	
	Q250	LTC043TEB-X	DIGI TRANSISTOR		1	
	Q251	LTC043TEB-X	DIGI TRANSISTOR		1	
	Q321	LTC043TEB-X	DIGI TRANSISTOR		1	K0
	Q331	LTC043TEB-X	DIGI TRANSISTOR		1	K0
	Q780	LTA024EEB-X	DIGI TRANSISTOR		1	
	Q781	LTC024EEB-X	DIGI TRANSISTOR		1	
	Q782	LTA024EEB-X	DIGI TRANSISTOR		1	
	Q912	LTA014YEB-X	DIGI TRANSISTOR		1	
	Q931	LTA043ZUB-X	DIGI TRANSISTOR		1	
	Q932	LTC024EUBFS8	DIGI TRANSISTOR		1	
	Q940	LTA023JUB-X	DIGI TRANSISTOR		1	
	Q941	LTC024EEB-X	DIGI TRANSISTOR		1	
	Q970	LSCR523EBFS8	TRANSISTOR		1	
	Q971	LSCR523EBFS8	TRANSISTOR		1	
	Q972	LSCR523EBFS8	TRANSISTOR		1	
	D1	NAF0029-002X	ESD SUPPRESSOR		1	
	D60	MBRX130	SCHOTTKY DIODE		1	
	D90	DZ2J056M	Z DIODE		1	
	D92	DZ2J062M	Z DIODE		1	
	D93	DZ2J062M	Z DIODE		1	
	D100	RSB6.8SM-X	BP Z DIODE		1	
	D101	RSB6.8SM-X	BP Z DIODE		1	
	D501	GS1J-LTP-X	SI DIODE		1	
	D780	BAW56-TP-X	SI DIODE		1	
	D781	BAW56-TP-X	SI DIODE		1	
	D782	DA2J101	DIODE		1	
	D783	BAW56-TP-X	SI DIODE		1	
	D891	BAW56-TP-X	SI DIODE		1	
△	D901	1N5401-BPC04	SI DIODE		1	
	D902	SK34A-L-X	SB DIODE		1	
	D903	SK34A-L-X	SB DIODE		1	
	D906	MBRX130	SCHOTTKY DIODE		1	
	D907	MBR0530-X	SB DIODE		1	
	D908	DZ2J051M	Z DIODE		1	
	D909	RB521SM-30-X	SB DIODE		1	
	D930	DZ2J033/M-X	Z DIODE		1	
	D931	MBRX130	SCHOTTKY DIODE		1	
	D970	DZ2J062M	Z DIODE		1	
	D971	DZ2J068M	Z DIODE		1	
	D972	DZ2J062M	Z DIODE		1	
	D981	SK34A-L-X	SB DIODE		1	
	C1	CC73GCH1H330J	C CAPACITOR	33pF 50V J	1	
	C3	NCB31HK-104X	C CAPACITOR	0.1uF 50V K	1	
	C5	CK73GGB1C224K	C CAPACITOR	0.22uF 16V K	1	
	C6	CK73GGB1H102K	C CAPACITOR	1000pF 50V K	1	
	C7	CK73GGB1H102K	C CAPACITOR	1000pF 50V K	1	
△	C8	CC73GCH1H010C	C CAPACITOR	1pF 50V C	1	
	C10	CK73GGB1H102K	C CAPACITOR	1000pF 50V K	1	
	C11	CK73GGB1H152K	C CAPACITOR	1500pF 50V K	1	
	C12	NCB31HK-104X	C CAPACITOR	0.1uF 50V K	1	
	C13	CC73GCH1H220J	C CAPACITOR	22pF 50V J	1	
	C14	CC73GCH1H090D	C CAPACITOR	9pF 50V D	1	
	C17	CK730AX0J106K	C CAPACITOR	10uF 6.3V K	1	
	C18	CK730AX0J106K	C CAPACITOR	10uF 6.3V K	1	
	C19	NCB31HK-104X	C CAPACITOR	0.1uF 50V K	1	
	C23	CC73GCH1H030C	C CAPACITOR	3pF 50V C	1	
	C25	CK73GGB1H103K	C CAPACITOR	0.01uF 50V K	1	
△	C26	CC73GCH1H010C	C CAPACITOR	1pF 50V C	1	
	C28	CC73GCH1H120J	C CAPACITOR	12pF 50V J	1	
	C30	NCB31HK-104X	C CAPACITOR	0.1uF 50V K	1	
	C31	CK73GGB1H103K	C CAPACITOR	0.01uF 50V K	1	
	C60	CK73EXR1E106K	C CAPACITOR	10uF 25V K	1	
	C61	CK73EXR1E106K	C CAPACITOR	10uF 25V K	1	
	C62	NCB31HK-104X	C CAPACITOR	0.1uF 50V K	1	
	C63	CK73GGB1H103K	C CAPACITOR	0.01uF 50V K	1	
	C64	CK73GGB1H682K	C CAPACITOR	6800pF 50V K	1	
	C66	CK73EXR1E106K	C CAPACITOR	10uF 25V K	1	
	C67	CK73EXR1E106K	C CAPACITOR	10uF 25V K	1	
	C68	NCB31HK-104X	C CAPACITOR	0.1uF 50V K	1	
	C78	CC73GCH1H121J	C CAPACITOR	120pF 50V J	1	
	C79	CK73GGB1H103K	C CAPACITOR	0.01uF 50V K	1	
	C80	NCB31HK-104X	C CAPACITOR	0.1uF 50V K	1	
	C82	CK73GGB1H103K	C CAPACITOR	0.01uF 50V K	1	
	C83	CC73GCH1H121J	C CAPACITOR	120pF 50V J	1	
	C84	CC73GCH1H121J	C CAPACITOR	120pF 50V J	1	

MODEL	MARK	MODEL	MARK
KDC-BT318U	K0	KDC-BT34U	E1

Safe	Symbol No.	Parts No.	Parts Name	Description	QTY	Local
	C92	CC73GCH1H820J	C CAPACITOR	82pF 50V J	1	
	C93	CC73GCH1H820J	C CAPACITOR	82pF 50V J	1	
	C94	NCB31AK-105X	C CAPACITOR	1uF 10V K	1	
	C95	CK73FXR1A106K	C CAPACITOR	10uF 10V K	1	
	C96	CK73GBB1H102K	C CAPACITOR	1000pF 50V K	1	
	C100	NCB31HK-104X	C CAPACITOR	0.1uF 50V K	1	
	C101	CK73GBB1H102K	C CAPACITOR	1000pF 50V K	1	
	C102	CK73GBB1H102K	C CAPACITOR	1000pF 50V K	1	
	C103	NCB31CK-105X	C CAPACITOR	1uF 16V K	1	
	C104	NCB31CK-105X	C CAPACITOR	1uF 16V K	1	
	C105	NCB31CK-105X	C CAPACITOR	1uF 16V K	1	
	C106	CK73GBB1H471K	C CAPACITOR	470pF 50V K	1	
	C161	NCB31AK-105X	C CAPACITOR	1uF 10V K	1	
	C162	NCB31AK-105X	C CAPACITOR	1uF 10V K	1	
	C163	CD04AV1V4R7M	E CAPACITOR	4.7uF 35V M	1	
	C164	CD04AV1V4R7M	E CAPACITOR	4.7uF 35V M	1	
	C165	CD04AV1C100M	E CAPACITOR	10uF 16V M	1	
	C166	NCB31HK-104X	C CAPACITOR	0.1uF 50V K	1	
	C167	NCB31AK-105X	C CAPACITOR	1uF 10V K	1	
	C168	NCB31AK-105X	C CAPACITOR	1uF 10V K	1	
	C169	NCB31AK-105X	C CAPACITOR	1uF 10V K	1	
	C171	NCB31AK-105X	C CAPACITOR	1uF 10V K	1	
	C173	NCB31AK-105X	C CAPACITOR	1uF 10V K	1	
	C174	NCB31AK-105X	C CAPACITOR	1uF 10V K	1	
	C177	NCB31AK-105X	C CAPACITOR	1uF 10V K	1	
	C250	CC73GCH1H101J	C CAPACITOR	100pF 50V J	1	
	C251	CD04AV1C100M	E CAPACITOR	10uF 16V M	1	
	C260	CC73GCH1H101J	C CAPACITOR	100pF 50V J	1	
	C261	CD04AV1C100M	E CAPACITOR	10uF 16V M	1	
	C303	CC73GCH1H820J	C CAPACITOR	82pF 50V J	1	
	C304	CD04AV1C470M	E CAPACITOR	47uF 16V M	1	
	C305	CC73GCH1H820J	C CAPACITOR	82pF 50V J	1	
	C306	CC73GCH1H820J	C CAPACITOR	82pF 50V J	1	
	C312	CK730AV1C105K	C CAPACITOR	1uF 16V K	1	
	C316	CK730AV1C224K	C CAPACITOR	0.22uF 16V K	1	
	C317	CK730AV1C224K	C CAPACITOR	0.22uF 16V K	1	
	C318	CK730AV1C224K	C CAPACITOR	0.22uF 16V K	1	
	C319	CK730AV1C224K	C CAPACITOR	0.22uF 16V K	1	
	C320	CC73GCH1H101J	C CAPACITOR	100pF 50V J	1	K0
	C321	CD04AV1C100M	E CAPACITOR	10uF 16V M	1	K0
	C330	CC73GCH1H101J	C CAPACITOR	100pF 50V J	1	K0
	C331	CD04AV1C100M	E CAPACITOR	10uF 16V M	1	K0
	C368	NCB31AK-105X	C CAPACITOR	1uF 10V K	1	
	C369	NCB21AK-475X	C CAPACITOR	4.7uF 10V K	1	
	C371	CK73GBB1H102K	C CAPACITOR	1000pF 50V K	1	
	C372	CK73GBB1H103K	C CAPACITOR	0.01uF 50V K	1	
	C403	CK73GBB1H471K	C CAPACITOR	470pF 50V K	1	
	C410	CK73EXR1E106K	C CAPACITOR	10uF 25V K	1	
	C501	QEKJ0JM-107Z	E CAPACITOR	100uF 6.3V M	1	
	C502	CC73GCH1H681J	C CAPACITOR	680pF 50V J	1	
	C503	CC73GCH1H681J	C CAPACITOR	680pF 50V J	1	
	C504	CK73GBB1H472K	C CAPACITOR	4700pF 50V K	1	
	C701	NCB31HK-104X	C CAPACITOR	0.1uF 50V K	1	
	C702	NCB31HK-104X	C CAPACITOR	0.1uF 50V K	1	
	C703	NCB31HK-104X	C CAPACITOR	0.1uF 50V K	1	
	C704	NCB31HK-104X	C CAPACITOR	0.1uF 50V K	1	
	C705	NCB31HK-104X	C CAPACITOR	0.1uF 50V K	1	
	C706	NCB31HK-104X	C CAPACITOR	0.1uF 50V K	1	
	C707	NCB31HK-104X	C CAPACITOR	0.1uF 50V K	1	
	C708	NCB31HK-104X	C CAPACITOR	0.1uF 50V K	1	
	C709	CC73GCH1H090D	C CAPACITOR	9pF 50V D	1	
	C710	CC73GCH1H090D	C CAPACITOR	9pF 50V D	1	
	C711	NCB31HK-104X	C CAPACITOR	0.1uF 50V K	1	
	C712	NCB31HK-104X	C CAPACITOR	0.1uF 50V K	1	
	C714	NCB31HK-104X	C CAPACITOR	0.1uF 50V K	1	
	C715	NCB31HK-104X	C CAPACITOR	0.1uF 50V K	1	
	C716	NCB31HK-104X	C CAPACITOR	0.1uF 50V K	1	
	C717	NCB31HK-104X	C CAPACITOR	0.1uF 50V K	1	
	C718	NCB31HK-104X	C CAPACITOR	0.1uF 50V K	1	
	C719	NCB31HK-104X	C CAPACITOR	0.1uF 50V K	1	
	C720	NCB31HK-104X	C CAPACITOR	0.1uF 50V K	1	
	C728	CK73GBB1C473K	C CAPACITOR	0.047uF 16V K	1	
	C729	NCB31HK-104X	C CAPACITOR	0.1uF 50V K	1	
	C730	NCB31HK-104X	C CAPACITOR	0.1uF 50V K	1	
	C731	CK73GBB1H682K	C CAPACITOR	6800pF 50V K	1	
	C734	CK73GBB1H103K	C CAPACITOR	0.01uF 50V K	1	
	C735	CK73GBB1H471K	C CAPACITOR	470pF 50V K	1	
	C736	CK73GBB1H103K	C CAPACITOR	0.01uF 50V K	1	
	C738	NCB31HK-104X	C CAPACITOR	0.1uF 50V K	1	
	C740	NCB31HK-104X	C CAPACITOR	0.1uF 50V K	1	
	C740	CK73GBB1H472K	C CAPACITOR	4700pF 50V K	1	K0
	C741	CK73GBB1H103K	C CAPACITOR	0.01uF 50V K	1	E1
	C742	CK73GBB1H103K	C CAPACITOR	0.01uF 50V K	1	
	C744	CK73GBB1H103K	C CAPACITOR	0.01uF 50V K	1	
	C747	CK73GBB1H471K	C CAPACITOR	470pF 50V K	1	
	C840	NCB31HK-104X	C CAPACITOR	0.1uF 50V K	1	
	C841	CK73GBB1H103K	C CAPACITOR	0.01uF 50V K	1	
	C891	NCB31HK-104X	C CAPACITOR	0.1uF 50V K	1	
	C901	QEZ0981-228	E CAPACITOR	2200uF	1	
	C903	CD04AS1C220M	E CAPACITOR	22uF 16V M	1	
	C904	CD04AR1C471M	E CAPACITOR	470uF 16V M	1	
	C905	QEKJ0JM-107Z	E CAPACITOR	100uF 6.3V M	1	

MODEL	MARK	MODEL	MARK
KDC-BT318U	K0	KDC-BT34U	E1

Safe	Symbol No.	Parts No.	Parts Name	Description	QTY	Local
	C907	NCB20JK-106X	C CAPACITOR	10uF 6.3V K	1	
	C908	NCB31CK-105X	C CAPACITOR	1uF 16V K	1	
	C910	NCB31CK-105X	C CAPACITOR	1uF 16V K	1	
	C911	NCB31CK-105X	C CAPACITOR	1uF 16V K	1	
	C913	CK73FBB1C105K	C CAPACITOR	1uF 16V K	1	
	C914	CK73FBB1C105K	C CAPACITOR	1uF 16V K	1	
	C915	NCB31HK-104X	C CAPACITOR	0.1uF 50V K	1	
	C916	CC73GCH1H070D	C CAPACITOR	7pF 50V D	1	
	C917	CC73GCH1H030C	C CAPACITOR	3pF 50V C	1	
	C930	NCB31AK-105X	C CAPACITOR	1uF 10V K	1	
	C931	CK73FXR1A106K	C CAPACITOR	10uF 10V K	1	
	C932	CK73FXR1A106K	C CAPACITOR	10uF 10V K	1	
	C934	NCB31AK-105X	C CAPACITOR	1uF 10V K	1	
	C935	CK73FXR1A106K	C CAPACITOR	10uF 10V K	1	
	C936	NCB31AK-105X	C CAPACITOR	1uF 10V K	1	
	C937	NCB31AK-105X	C CAPACITOR	1uF 10V K	1	
	C938	QERF0JM-337Z	E CAPACITOR	330uF 6.3V M	1	
	C950	NCB31HK-104X	C CAPACITOR	0.1uF 50V K	1	
	C953	CK73GBB1C474K	C CAPACITOR	0.47uF 16V K	1	
	C954	CK73GBB1C474K	C CAPACITOR	0.47uF 16V K	1	
	C955	QEKJ0JM-107Z	E CAPACITOR	100uF 6.3V M	1	
	C979	QEKJ0JM-107Z	E CAPACITOR	100uF 6.3V M	1	
	C981	CK73GBB1H682K	C CAPACITOR	6800pF 50V K	1	
	C983	CK73GBB1H471K	C CAPACITOR	470pF 50V K	1	
	C984	CK73GBB1H103K	C CAPACITOR	0.01uF 50V K	1	
	C985	CK73EXR1E106K	C CAPACITOR	10uF 25V K	1	
	C986	CK73EXR1E106K	C CAPACITOR	10uF 25V K	1	
	C987	NCB31HK-104X	C CAPACITOR	0.1uF 50V K	1	
	C988	CK73EXR1E106K	C CAPACITOR	10uF 25V K	1	
	C989	CK73EXR1E106K	C CAPACITOR	10uF 25V K	1	
	C990	NCB31HK-104X	C CAPACITOR	0.1uF 50V K	1	
	C991	NCB31HK-104X	C CAPACITOR	0.1uF 50V K	1	
	C992	CK73EXR1E106K	C CAPACITOR	10uF 25V K	1	
	C995	NCB31HK-104X	C CAPACITOR	0.1uF 50V K	1	
	R1	RK73GB2A105J	MG RESISTOR	1M Ω 1/10W J	1	
	R2	RK73GB2A105J	MG RESISTOR	1M Ω 1/10W J	1	
	R3	RK73GB2A820J	MG RESISTOR	82 Ω 1/10W J	1	
	R4	RK73GB2A472J	MG RESISTOR	4.7k Ω 1/10W J	1	
	R7	RK73GB2A101J	MG RESISTOR	100 Ω 1/10W J	1	
	R8	RK73GB2A101J	MG RESISTOR	100 Ω 1/10W J	1	
	R15	RK73GB2A4R7J	MG RESISTOR	4.7 Ω 1/10W J	1	
	R16	RK73GH2A100D	MG RESISTOR	10 Ω 1/10W D	1	
	R60	RK73GB2A000J	MG RESISTOR	0 Ω 1/10W J	1	
	R61	RK73GB2A103J	MG RESISTOR	10k Ω 1/10W J	1	
	R62	RK73GH2A913D	MG RESISTOR	91k Ω 1/10W D	1	
	R63	RK73GH2A224D	MG RESISTOR	220k Ω 1/10W D	1	
	R64	RK73GH2A243D	MG RESISTOR	24k Ω 1/10W D	1	
	R80	RK73GB2A101J	MG RESISTOR	100 Ω 1/10W J	1	
	R81	RK73GB2A101J	MG RESISTOR	100 Ω 1/10W J	1	
	R82	RK73GB2A472J	MG RESISTOR	4.7k Ω 1/10W J	1	
	R83	RK73GB2A472J	MG RESISTOR	4.7k Ω 1/10W J	1	
	R89	RK73GB2A000J	MG RESISTOR	0 Ω 1/10W J	1	
	R90	RK73GB2A181J	MG RESISTOR	180 Ω 1/10W J	1	
	R91	RK73GB2A181J	MG RESISTOR	180 Ω 1/10W J	1	
	R92	RK73GB2A100J	MG RESISTOR	10 Ω 1/10W J	1	
	R93	RK73GB2A222J	MG RESISTOR	2.2k Ω 1/10W J	1	
	R94	RK73FB2B100J	MG RESISTOR	10 Ω 1/8W J	1	
	R95	RK73GB2A102J	MG RESISTOR	1k Ω 1/10W J	1	
	R97	RK73GB2A473J	MG RESISTOR	47k Ω 1/10W J	1	
	R98	RK73GB2A101J	MG RESISTOR	100 Ω 1/10W J	1	
	R99	RK73GB2A101J	MG RESISTOR	100 Ω 1/10W J	1	
	R100	RK73EB2E471J	MG RESISTOR	470 Ω 1/4W J	1	
	R101	RK73FB2B000J	MG RESISTOR	0 Ω 1/8W J	1	
	R103	RK73GB2A473J	MG RESISTOR	47k Ω 1/10W J	1	
	R104	RK73GB2A473J	MG RESISTOR	47k Ω 1/10W J	1	
	R167	RK73GB2A222J	MG RESISTOR	2.2k Ω 1/10W J	1	
	R170	RK73EB2E000J	MG RESISTOR	0 Ω 1/4W J	1	
	R171	RK73GB2A103J	MG RESISTOR	10k Ω 1/10W J	1	
	R250	RK73GB2A181J	MG RESISTOR	180 Ω 1/10W J	1	
	R251	RK73GB2A223J	MG RESISTOR	22k Ω 1/10W J	1	
	R252	RK73GB2A331J	MG RESISTOR	330 Ω 1/10W J	1	
	R260	RK73GB2A181J	MG RESISTOR	180 Ω 1/10W J	1	
	R261	RK73GB2A223J	MG RESISTOR	22k Ω 1/10W J	1	
	R262	RK73GB2A331J	MG RESISTOR	330 Ω 1/10W J	1	
	R301	RK73GB2A000J	MG RESISTOR	0 Ω 1/10W J	1	
	R302	RK73GB2A222J	MG RESISTOR	2.2k Ω 1/10W J	1	
	R303	RK73EB2E5R1J	MG RESISTOR	5.1 Ω 1/4W J	1	
	R304	RK73GB2A473J	MG RESISTOR	47k Ω 1/10W J	1	
	R307	RK73EB2E000J	MG RESISTOR	0 Ω 1/4W J	1	
	R320	RK73GB2A181J	MG RESISTOR	180 Ω 1/10W J	1	K0
	R321	RK73GB2A223J	MG RESISTOR	22k Ω 1/10W J	1	K0
	R323	RK73GB2A331J	MG RESISTOR	330 Ω 1/10W J	1	K0
	R330	RK73GB2A181J	MG RESISTOR	180 Ω 1/10W J	1	K0
	R331	RK73GB2A223J	MG RESISTOR	22k Ω 1/10W J	1	K0
	R333	RK73GB2A331J	MG RESISTOR	330 Ω 1/10W J	1	K0
	R403	RK73EB2E000J	MG RESISTOR	0 Ω 1/4W J	1	
	R404	RK73EB2E000J	MG RESISTOR	0 Ω 1/4W J	1	
	R406	RK73GB2A000J	MG RESISTOR	0 Ω 1/10W J	1	
	R411	RK73EB2E000J	MG RESISTOR	0 Ω 1/4W J	1	
	R412	RK73EB2E000J	MG RESISTOR	0 Ω 1/4W J	1	
	R413	RK73EB2E000J	MG RESISTOR	0 Ω 1/4W J	1	
	R414	RK73EB2E000J	MG RESISTOR	0 Ω 1/4W J	1	
	R415	RK73EB2E000J	MG RESISTOR	0 Ω 1/4W J	1	

MODEL	MARK	MODEL	MARK
KDC-BT318U	K0	KDC-BT34U	E1

Safe	Symbol No.	Parts No.	Parts Name	Description	QTY	Local
	R416	RK73EB2E000J	MG RESISTOR	0Ω 1/4W J	1	
	R419	RK73EB2E000J	MG RESISTOR	0Ω 1/4W J	1	
	R420	RK73GB2A000J	MG RESISTOR	0Ω 1/10W J	1	
	R422	NRZ0084-0R0X	MG RESISTOR	0Ω	1	
	R423	NRZ0084-0R0X	MG RESISTOR	0Ω	1	
	R425	RK73GB2A000J	MG RESISTOR	0Ω 1/10W J	1	
	R428	RK73EB2E000J	MG RESISTOR	0Ω 1/4W J	1	
	R429	RK73EB2E000J	MG RESISTOR	0Ω 1/4W J	1	
	R432	RK73EB2E000J	MG RESISTOR	0Ω 1/4W J	1	
	R435	RK73GB2A000J	MG RESISTOR	0Ω 1/10W J	1	
	R439	RK73EB2E000J	MG RESISTOR	0Ω 1/4W J	1	
	R440	RK73EB2E000J	MG RESISTOR	0Ω 1/4W J	1	
	R443	RK73GB2A000J	MG RESISTOR	0Ω 1/10W J	1	
	R445	RK73GB2A000J	MG RESISTOR	0Ω 1/10W J	1	
	R454	RK73GB2A000J	MG RESISTOR	0Ω 1/10W J	1	
	R455	RK73GB2A000J	MG RESISTOR	0Ω 1/10W J	1	
	R456	RK73GB2A000J	MG RESISTOR	0Ω 1/10W J	1	
	R458	RK73EB2E000J	MG RESISTOR	0Ω 1/4W J	1	
	R463	RK73EB2E000J	MG RESISTOR	0Ω 1/4W J	1	
	R473	RK73GB2A000J	MG RESISTOR	0Ω 1/10W J	1	
	R474	RK73GB2A000J	MG RESISTOR	0Ω 1/10W J	1	
	R480	RK73GB2A000J	MG RESISTOR	0Ω 1/10W J	1	
	R481	RK73GB2A000J	MG RESISTOR	0Ω 1/10W J	1	
	R482	RK73EB2E000J	MG RESISTOR	0Ω 1/4W J	1	
	R485	RK73GB2A000J	MG RESISTOR	0Ω 1/10W J	1	
	R486	RK73GB2A000J	MG RESISTOR	0Ω 1/10W J	1	
	R489	RK73EB2E000J	MG RESISTOR	0Ω 1/4W J	1	
	R492	RK73EB2E000J	MG RESISTOR	0Ω 1/4W J	1	
	R493	RK73GB2A000J	MG RESISTOR	0Ω 1/10W J	1	
	R494	RK73GB2A000J	MG RESISTOR	0Ω 1/10W J	1	
	R496	RK73GB2A000J	MG RESISTOR	0Ω 1/10W J	1	
	R501	RK73GB2A222J	MG RESISTOR	2.2kΩ 1/10W J	1	
	R502	RK73GB2A222J	MG RESISTOR	2.2kΩ 1/10W J	1	
	R701	RK73GB2A101J	MG RESISTOR	100Ω 1/10W J	1	
	R702	RK73GB2A472J	MG RESISTOR	4.7kΩ 1/10W J	1	
	R703	RK73GB2A162J	MG RESISTOR	1.6kΩ 1/10W J	1	
	R704	RK73GB2A162J	MG RESISTOR	1.6kΩ 1/10W J	1	
	R705	RK73GB2A162J	MG RESISTOR	1.6kΩ 1/10W J	1	
	R706	RK73GB2A162J	MG RESISTOR	1.6kΩ 1/10W J	1	
	R707	RK73GB2A162J	MG RESISTOR	1.6kΩ 1/10W J	1	
	R708	RK73GB2A911J	MG RESISTOR	910Ω 1/10W J	1	
	R710	RK73GB2A473J	MG RESISTOR	47kΩ 1/10W J	1	
	R711	RK73GB2A473J	MG RESISTOR	47kΩ 1/10W J	1	
	R713	RK73GB2A473J	MG RESISTOR	47kΩ 1/10W J	1	
	R717	RK73GB2A103J	MG RESISTOR	10kΩ 1/10W J	1	
	R718	RK73GB2A222J	MG RESISTOR	2.2kΩ 1/10W J	1	
	R719	RK73GB2A332J	MG RESISTOR	3.3kΩ 1/10W J	1	
	R720	RK73GB2A332J	MG RESISTOR	3.3kΩ 1/10W J	1	
	R721	RK73GB2A102J	MG RESISTOR	1kΩ 1/10W J	1	
	R722	RK73GB2A102J	MG RESISTOR	1kΩ 1/10W J	1	
	R723	RK73GB2A222J	MG RESISTOR	2.2kΩ 1/10W J	1	
	R725	RK73GB2A473J	MG RESISTOR	47kΩ 1/10W J	1	E1
	R726	RK73GB2A473J	MG RESISTOR	47kΩ 1/10W J	1	
	R728	RK73GB2A473J	MG RESISTOR	47kΩ 1/10W J	1	
	R729	RK73GB2A105J	MG RESISTOR	1MΩ 1/10W J	1	
	R730	RK73GB2A222J	MG RESISTOR	2.2kΩ 1/10W J	1	
	R731	RK73GB2A153J	MG RESISTOR	15kΩ 1/10W J	1	
	R732	RK73GB2A153J	MG RESISTOR	15kΩ 1/10W J	1	
	R733	RK73GB2A220J	MG RESISTOR	22Ω 1/10W J	1	
	R734	RK73GB2A220J	MG RESISTOR	22Ω 1/10W J	1	
	R735	RK73GB2A473J	MG RESISTOR	47kΩ 1/10W J	1	
	R738	RK73GB2A473J	MG RESISTOR	47kΩ 1/10W J	1	
	R739	RK73GB2A473J	MG RESISTOR	47kΩ 1/10W J	1	
	R740	RK73GB2A225J	MG RESISTOR	2.2MΩ 1/10W J	1	K0
	R741	RK73GB2A822J	MG RESISTOR	8.2kΩ 1/10W J	1	K0
	R742	RK73GB2A153J	MG RESISTOR	15kΩ 1/10W J	1	E1
	R743	RK73GB2A393J	MG RESISTOR	39kΩ 1/10W J	1	K0
	R743	RK73GB2A473J	MG RESISTOR	47kΩ 1/10W J	1	E1
	R744	RK73GB2A162J	MG RESISTOR	1.6kΩ 1/10W J	1	
	R745	RK73GB2A473J	MG RESISTOR	47kΩ 1/10W J	1	K0
	R745	RK73GB2A333J	MG RESISTOR	33kΩ 1/10W J	1	E1
	R746	RK73GB2A473J	MG RESISTOR	47kΩ 1/10W J	1	
	R747	RK73GB2A473J	MG RESISTOR	47kΩ 1/10W J	1	
	R748	RK73GB2A473J	MG RESISTOR	47kΩ 1/10W J	1	
	R749	RK73GB2A473J	MG RESISTOR	47kΩ 1/10W J	1	
	R750	RK73GB2A104J	MG RESISTOR	100kΩ 1/10W J	1	
	R751	RK73GB2A473J	MG RESISTOR	47kΩ 1/10W J	1	
	R752	RK73GB2A473J	MG RESISTOR	47kΩ 1/10W J	1	
	R753	RK73GB2A473J	MG RESISTOR	47kΩ 1/10W J	1	
	R754	RK73GB2A473J	MG RESISTOR	47kΩ 1/10W J	1	
	R756	RK73GB2A473J	MG RESISTOR	47kΩ 1/10W J	1	
	R757	RK73GB2A473J	MG RESISTOR	47kΩ 1/10W J	1	
	R758	RK73GB2A102J	MG RESISTOR	1kΩ 1/10W J	1	
	R759	RK73GB2A472J	MG RESISTOR	4.7kΩ 1/10W J	1	
	R760	RK73GB2A472J	MG RESISTOR	4.7kΩ 1/10W J	1	
	R761	RK73GB2A103J	MG RESISTOR	10kΩ 1/10W J	1	
	R762	RK73EB2E103J	MG RESISTOR	10kΩ 1/4W J	1	
	R763	RK73GB2A472J	MG RESISTOR	4.7kΩ 1/10W J	1	
	R764	RK73GB2A472J	MG RESISTOR	4.7kΩ 1/10W J	1	
	R765	RK73GB2A472J	MG RESISTOR	4.7kΩ 1/10W J	1	
	R767	RK73GB2A473J	MG RESISTOR	47kΩ 1/10W J	1	
	R768	RK73GB2A471J	MG RESISTOR	470Ω 1/10W J	1	

MODEL	MARK	MODEL	MARK
KDC-BT318U	K0	KDC-BT34U	E1

Safe	Symbol No.	Parts No.	Parts Name	Description	QTY	Local
	R769	RK73GB2A332J	MG RESISTOR	3.3kΩ 1/10W J	1	
	R770	RK73GB2A471J	MG RESISTOR	470Ω 1/10W J	1	
	R771	RK73GB2A471J	MG RESISTOR	470Ω 1/10W J	1	
	R772	RK73GB2A911J	MG RESISTOR	910Ω 1/10W J	1	
	R773	RK73GB2A102J	MG RESISTOR	1kΩ 1/10W J	1	
	R775	RK73GB2A000J	MG RESISTOR	0Ω 1/10W J	1	
	R776	RK73GB2A101J	MG RESISTOR	100Ω 1/10W J	1	
	R777	RK73GB2A101J	MG RESISTOR	100Ω 1/10W J	1	
	R778	RK73GB2A102J	MG RESISTOR	1kΩ 1/10W J	1	
	R779	RK73GB2A473J	MG RESISTOR	47kΩ 1/10W J	1	
	R780	RK73GB2A223J	MG RESISTOR	22kΩ 1/10W J	1	
	R781	RK73GB2A331J	MG RESISTOR	330Ω 1/10W J	1	
	R782	RK73GB2A101J	MG RESISTOR	100Ω 1/10W J	1	
	R783	RK73GB2A104J	MG RESISTOR	100kΩ 1/10W J	1	
	R784	RK73GB2A103J	MG RESISTOR	10kΩ 1/10W J	1	
	R785	RK73GB2A473J	MG RESISTOR	47kΩ 1/10W J	1	
	R787	RK73GB2A101J	MG RESISTOR	100Ω 1/10W J	1	
	R788	RK73GB2A101J	MG RESISTOR	100Ω 1/10W J	1	
	R791	RK73GB2A101J	MG RESISTOR	100Ω 1/10W J	1	
	R792	RK73GB2A101J	MG RESISTOR	100Ω 1/10W J	1	
	R793	RK73GB2A101J	MG RESISTOR	100Ω 1/10W J	1	
	R794	RK73GB2A101J	MG RESISTOR	100Ω 1/10W J	1	
	R796	RK73GB2A221J	MG RESISTOR	220Ω 1/10W J	1	
	R797	RK73GB2A222J	MG RESISTOR	2.2kΩ 1/10W J	1	
	R840	RK73GB2A473J	MG RESISTOR	47kΩ 1/10W J	1	
	R841	RK73GB2A473J	MG RESISTOR	47kΩ 1/10W J	1	
	R842	RK73GB2A473J	MG RESISTOR	47kΩ 1/10W J	1	
	R891	RK73GB2A103J	MG RESISTOR	10kΩ 1/10W J	1	
	R892	RK73GB2A683J	MG RESISTOR	68kΩ 1/10W J	1	
	R893	RK73GB2A123J	MG RESISTOR	12kΩ 1/10W J	1	
	R901	RK73GB2A333J	MG RESISTOR	33kΩ 1/10W J	1	
	R902	RK73GB2A472J	MG RESISTOR	4.7kΩ 1/10W J	1	
	R903	RK73GB2A273J	MG RESISTOR	27kΩ 1/10W J	1	
	R904	RK73GB2A472J	MG RESISTOR	4.7kΩ 1/10W J	1	
	R909	RK73EB2E000J	MG RESISTOR	0Ω 1/4W J	1	E1
	R911	RK73EB2E472J	MG RESISTOR	4.7kΩ 1/4W J	1	
	R914	RK73GB2A102J	MG RESISTOR	1kΩ 1/10W J	1	
	R915	RK73GB2A000J	MG RESISTOR	0Ω 1/10W J	1	
	R916	RK73GB2A103J	MG RESISTOR	10kΩ 1/10W J	1	
	R920	RK73GB2A332J	MG RESISTOR	3.3kΩ 1/10W J	1	
	R921	RK73GH2A100D	MG RESISTOR	10Ω 1/10W D	1	
	R930	RK73GB2A000J	MG RESISTOR	0Ω 1/10W J	1	
	R931	RK73GB2A431J	MG RESISTOR	430Ω 1/10W J	1	
	R933	RK73EB2E4R7J	MG RESISTOR	4.7Ω 1/4W J	1	
	R935	RK73EB2E4R7J	MG RESISTOR	4.7Ω 1/4W J	1	
	R945	RK73GB2A103J	MG RESISTOR	10kΩ 1/10W J	1	
	R946	RK73EB2E000J	MG RESISTOR	0Ω 1/4W J	1	
	R969	RK73GB2A563J	MG RESISTOR	56kΩ 1/10W J	1	
	R970	RK73FB2B683J	MG RESISTOR	68kΩ 1/8W J	1	
	R971	RK73FB2B473J	MG RESISTOR	47kΩ 1/8W J	1	
	R972	RK73GB2A104J	MG RESISTOR	100kΩ 1/10W J	1	
	R973	RK73GB2A333J	MG RESISTOR	33kΩ 1/10W J	1	
	R974	RK73GB2A223J	MG RESISTOR	22kΩ 1/10W J	1	
	R975	RK73GB2A333J	MG RESISTOR	33kΩ 1/10W J	1	
	R976	RK73GB2A104J	MG RESISTOR	100kΩ 1/10W J	1	
	R977	RK73GB2A223J	MG RESISTOR	22kΩ 1/10W J	1	
	R978	RK73EB2E473J	MG RESISTOR	47kΩ 1/4W J	1	
	R979	RK73EB2E682J	MG RESISTOR	6.8kΩ 1/4W J	1	
	R980	RK73EB2E682J	MG RESISTOR	6.8kΩ 1/4W J	1	
	R982	RK73GH2A913D	MG RESISTOR	91kΩ 1/10W D	1	
	R983	RK73GH2A224D	MG RESISTOR	220kΩ 1/10W D	1	
	R984	RK73GH2A243D	MG RESISTOR	24kΩ 1/10W D	1	
	R986	RK73GB2A000J	MG RESISTOR	0Ω 1/10W J	1	
	R987	RK73GB2A103J	MG RESISTOR	10kΩ 1/10W J	1	
	R989	RK73GB2A103J	MG RESISTOR	10kΩ 1/10W J	1	
	R990	RK73GH2A203D	MG RESISTOR	20kΩ 1/10W D	1	
	R995	RK73GH2A100D	MG RESISTOR	10Ω 1/10W D	1	
	L3	NQLM93K-R10X	COIL	0.1uH K	1	
	L5	NQLM93K-4R7X	COIL	4.7uH K	1	
	L6	NQLM93K-R15X	COIL	0.15uH K	1	
	L7	NQLM93K-R47X	COIL	0.47uH K	1	
	L8	NQLM93K-1R0X	COIL	1uH K	1	
	L9	LR73Z0AD4R7M	COIL	4.7uH	1	
	L10	NQLM93K-R12X	COIL	0.12uH K	1	
	L11	NQLM93K-R22X	COIL	0.22uH K	1	
	L60	LK73Z0AK4R7M	P COIL	4.7uH	1	
	L61	NQLN9EM-150X	COIL	15uH M	1	
	L91	LR73Z0AD470M	COIL	47uH	1	
	L92	LB73G0BK-006	CHIP FERRITE		1	
	L93	LB73G0BK-006	CHIP FERRITE		1	
	L96	LB73G0BK-006	CHIP FERRITE		1	
	L97	LB73G0BA-005	CHIP FERRITE		1	
	L98	LK73Z0AK4R7M	P COIL	4.7uH	1	
	L702	LB73G0BA-005	CHIP FERRITE		1	
	L703	LB73G0BA-005	CHIP FERRITE		1	
	L704	LB73G0BA-005	CHIP FERRITE		1	
	L751	NQR0269-030X	FERRITE BEADS		1	
	L752	LB73G0BA-005	CHIP FERRITE		1	
	L753	LB73G0BA-005	CHIP FERRITE		1	
	L754	LB73G0BA-005	CHIP FERRITE		1	
	L755	LB73G0BA-005	CHIP FERRITE		1	
	L756	LB73G0BA-005	CHIP FERRITE		1	

MODEL	MARK	MODEL	MARK
KDC-BT318U	K0	KDC-BT34U	E1

Safe	Symbol No.	Parts No.	Parts Name	Description	QTY	Local
	L757	LB73G0BA-005	CHIP FERRITE		1	
	L758	LB73G0CA-002	CHIP FERRITE		1	
	L759	NQR0713-001X	FERRITE BEADS		1	
	L777	LB73G0BA-005	CHIP FERRITE		1	
	L778	LB73G0BA-005	CHIP FERRITE		1	
	L779	LB73G0BA-005	CHIP FERRITE		1	
	L841	LB73G0BK-006	CHIP FERRITE		1	
	L901	QQR1909-001	CHOKE COIL		1	
	L941	LR73Z0AD4R7M	COIL	4.7uH	1	
	L981	NQLN9EM-150X	COIL	15uH M	1	
	L982	LK73Z0AK4R7M	P COIL	4.7uH	1	
	CN91	QNS0307-001	3.5 JACK		1	
	CN502	QGF1040F1-26	CONNECTOR	FFC/FPC (1-26)	1	
	CN701	QGZ1102J1-20	CONNECTOR	(1-20)	1	
	CN901	QNZ0607-001	CAR CONNECTOR		1	
	J1	QNB0356-001	ANT TERMINAL		1	
	J321	QNN0868-001	PIN JACK		1	K0
	J321	QNN0874-001	PIN JACK		1	E1
	S701	QSW0648-001Z	TACT SWITCH		1	
	X1	QAX0969-001Z	CRYSTAL		1	
	X701	NAX1243-001X	CRYSTAL		1	
	SW PWB ASSY (GEA10359-xxA) <SW>					
	IC661	BU97520KV-X	IC		1	
	IC681	SIR8630B6T	IR DETECT UNIT		1	K0
	Q602	LSCR523EBFS8	TRANSISTOR		1	
	Q603	2SC2411-R-X	TRANSISTOR		1	
	Q605	LSCR523EBFS8	TRANSISTOR		1	
	Q606	LTA014EEBFS8	DIGI TRANSISTOR		1	K0
	Q607	LTC014EEBFS8	DIGI TRANSISTOR		1	K0
	D610	DZ2J051M	Z DIODE		1	
	D611	DZ2J051M	Z DIODE		1	
	D612	DZ2J062M	Z DIODE		1	
	D614	MBRX130	SCHOTTKY DIODE		1	
	D615	MBRX130	SCHOTTKY DIODE		1	
	D650	SML-310VT	LED		1	
	D651	LWY1SG/45/Z1-X	LED		1	
	D653	QSMR-C13SBCMN	LED		1	K0
	D653	SML-D12V8WT	LED		1	E1
	D654	QSMR-C13SBCMN	LED		1	K0
	D654	SML-D12V8WT	LED		1	E1
	D655	QSMR-C13SBCMN	LED		1	K0
	D655	SML-D12V8WT	LED		1	E1
	D657	QSMR-C13SBCMN	LED		1	K0
	D657	SML-D12V8WT	LED		1	E1
	D659	QSMR-C13SBCMN	LED		1	K0
	D659	SML-D12V8WT	LED		1	E1
	D660	QSMR-C13SBCMN	LED		1	K0
	D660	SML-D12V8WT	LED		1	E1
	D661	QSMR-C13SBCMN	LED		1	K0
	D661	SML-D12V8WT	LED		1	E1
	D673	QSMR-C13SBCMN	LED		1	K0
	D673	SML-D12V8WT	LED		1	E1
	D674	QSMR-C13SBCMN	LED		1	K0
	D674	SML-D12V8WT	LED		1	E1
	D678	QSMR-C13SBCMN	LED		1	K0
	D678	SML-D12V8WT	LED		1	E1
	D679	QSMR-C13SBCMN	LED		1	K0
	D679	SML-D12V8WT	LED		1	E1
	D680	QSMR-C13SBCMN	LED		1	K0
	D680	SML-D12V8WT	LED		1	E1
	C601	CK73GBB1H472K	C CAPACITOR	4700pF 50V K	1	
	C602	CK73GBB1H472K	C CAPACITOR	4700pF 50V K	1	
	C604	CC73GCH1H270J	C CAPACITOR	27pF 50V J	1	
	C605	CC73GCH1H270J	C CAPACITOR	27pF 50V J	1	
	C606	CK73EXR1E106K	C CAPACITOR	10uF 25V K	1	
	C607	CK73GBB1H471K	C CAPACITOR	470pF 50V K	1	
	C608	CK73GBB1H472K	C CAPACITOR	4700pF 50V K	1	
	C610	NCB31CK-105X	C CAPACITOR	1uF 16V K	1	
	C614	NCB31CK-105X	C CAPACITOR	1uF 16V K	1	
	C615	NCB31CK-105X	C CAPACITOR	1uF 16V K	1	
	C616	CK73EXR1E106K	C CAPACITOR	10uF 25V K	1	
	C624	CK73GBB1H471K	C CAPACITOR	470pF 50V K	1	
	C641	NCB31AK-105X	C CAPACITOR	1uF 10V K	1	K0
	R601	RK73FB2B100J	MG RESISTOR	10Ω 1/8W J	1	
	R602	RK73FB2B4R7J	MG RESISTOR	4.7Ω 1/8W J	1	
	R603	RK73FB2B100J	MG RESISTOR	10Ω 1/8W J	1	
	R609	RK73GB2A471J	MG RESISTOR	470Ω 1/10W J	1	
	R612	RK73EB2E331J	MG RESISTOR	330Ω 1/4W J	1	
	R613	RK73GB2A102J	MG RESISTOR	1kΩ 1/10W J	1	
	R619	RK73GB2A000J	MG RESISTOR	0Ω 1/10W J	1	
	R620	RK73GB2A000J	MG RESISTOR	0Ω 1/10W J	1	
	R621	RK73GB2A000J	MG RESISTOR	0Ω 1/10W J	1	
	R622	RK73GB2A000J	MG RESISTOR	0Ω 1/10W J	1	
	R623	RK73GB2A473J	MG RESISTOR	47kΩ 1/10W J	1	
	R630	RK73GB2A103J	MG RESISTOR	10kΩ 1/10W J	1	
	R632	RK73EB2E000J	MG RESISTOR	0Ω 1/4W J	1	
	R636	RK73GB2A000J	MG RESISTOR	0Ω 1/10W J	1	K0
	R638	RK73GB2A432J	MG RESISTOR	4.3kΩ 1/10W J	1	
	R639	RK73GB2A682J	MG RESISTOR	6.8kΩ 1/10W J	1	
	R640	RK73EB2E000J	MG RESISTOR	0Ω 1/4W J	1	
	R643	RK73EB2E000J	MG RESISTOR	0Ω 1/4W J	1	
	R650	RK73GB2A000J	MG RESISTOR	0Ω 1/10W J	1	

MODEL	MARK	MODEL	MARK
KDC-BT318U	K0	KDC-BT34U	E1

Safe	Symbol No.	Parts No.	Parts Name	Description	QTY	Local
	R653	RK73EB2E102J	MG RESISTOR	1kΩ 1/4W J	1	K0
	R653	RK73EB2E681J	MG RESISTOR	680Ω 1/4W J	1	E1
	R654	RK73EB2E821J	MG RESISTOR	820Ω 1/4W J	1	K0
	R654	RK73EB2E751J	MG RESISTOR	750Ω 1/4W J	1	E1
	R655	RK73EB2E821J	MG RESISTOR	820Ω 1/4W J	1	K0
	R655	RK73EB2E751J	MG RESISTOR	750Ω 1/4W J	1	E1
	R657	RK73GB2A471J	MG RESISTOR	470Ω 1/10W J	1	K0
	R657	RK73GB2A122J	MG RESISTOR	1.2kΩ 1/10W J	1	E1
	R658	RK73GB2A102J	MG RESISTOR	1kΩ 1/10W J	1	K0
	R658	RK73GB2A122J	MG RESISTOR	1.2kΩ 1/10W J	1	E1
	R667	RK73EB2E821J	MG RESISTOR	820Ω 1/4W J	1	K0
	R667	RK73EB2E911J	MG RESISTOR	910Ω 1/4W J	1	E1
	R672	RK73FB2B471J	MG RESISTOR	470Ω 1/8W J	1	K0
	R672	RK73FB2B511J	MG RESISTOR	510Ω 1/8W J	1	E1
	R673	RK73FB2B102J	MG RESISTOR	1kΩ 1/8W J	1	E1
	R674	RK73FB2B102J	MG RESISTOR	1kΩ 1/8W J	1	K0
	R676	RK73EB2E561J	MG RESISTOR	560Ω 1/4W J	1	
	R683	RK73GB2A911J	MG RESISTOR	910Ω 1/10W J	1	E1
	R684	RK73GB2A162J	MG RESISTOR	1.6kΩ 1/10W J	1	E1
	RA608	RK74GB1J000J	NET RESISTOR	0Ω 1/16W J	1	
	RA614	RK74GB1J000J	NET RESISTOR	0Ω 1/16W J	1	
	CN601	QGZ1102K3-20X	CONNECTOR	(1-20)	1	
	CN603	QNZ1076-001	USB CONNECTOR		1	
	EN601	QSW1279-001	ROTARY ENCODER		1	
	J602	QNS0320-001	3.5 JACK		1	
	LF691	NQR0704-001X	CHOKO COIL		1	
RF MODULE (X17-2220-12) <X17>						
	IC2	AK4387ET	ANALOG IC		1	
	IC3	BU18TD3WG	MOS IC		1	
	IC4	BA4560RFV	MOS IC		1	
	IC5	TCC860000XEAU	MPU IC		1	
	IC6	AL016J70TF5F6	ROM IC		1	
	IC7	EM638165TSD61G	DRAM IC		1	
	C1	CC73HCH1H331J	C CAPACITOR	330pF 50V J	1	
	C2	CK73GB1A105K	C CAPACITOR	1uF 10V K	1	
	C5	CK73HB1H102K	C CAPACITOR	1000pF 50V K	1	
	C6	CK73HB0J105K	C CAPACITOR	1uF 6.3V K	1	
	C7	CK73HB0J105K	C CAPACITOR	1uF 6.3V K	1	
	C8	CK73GB0J475K	C CAPACITOR	4.7uF 6.3V K	1	
	C9	CK73HB1H471K	C CAPACITOR	470pF 50V K	1	
	C10	CK73HB1H471K	C CAPACITOR	470pF 50V K	1	
	C11	CC73HCH1H220J	C CAPACITOR	22pF 50V J	1	
	C12	CK73GB1A105K	C CAPACITOR	1uF 10V K	1	
	C13	CK73HB1A104K	C CAPACITOR	0.1uF 10V K	1	
	C14	CK73HB1A104K	C CAPACITOR	0.1uF 10V K	1	
	C16	CK73HB1C333K	C CAPACITOR	0.033uF 16V K	1	
	C17	CK73GB0J475K	C CAPACITOR	4.7uF 6.3V K	1	
	C18	CK73FB0J106K	C CAPACITOR	10uF 6.3V K	1	
	C19	CK73FB0J106K	C CAPACITOR	10uF 6.3V K	1	
	C20	CK73HB1H152K	C CAPACITOR	1500pF 50V K	1	
	C21	CK73HB1C333K	C CAPACITOR	0.033uF 16V K	1	
	C22	CK73HB1H152K	C CAPACITOR	1500pF 50V K	1	
	C23	CK73HB1A104K	C CAPACITOR	0.1uF 10V K	1	
	C24	CK73HB1A104K	C CAPACITOR	0.1uF 10V K	1	
	C25	CK73HB1A104K	C CAPACITOR	0.1uF 10V K	1	
	C26	CK73HB1H122K	C CAPACITOR	1200pF 50V K	1	
	C27	CC73HCH1H180J	C CAPACITOR	18pF 50V J	1	
	C28	CC73HCH1H331J	C CAPACITOR	330pF 50V J	1	
	C29	CK73HB1A104K	C CAPACITOR	0.1uF 10V K	1	
	C30	CK73HB1A104K	C CAPACITOR	0.1uF 10V K	1	
	C31	CK73HB1A104K	C CAPACITOR	0.1uF 10V K	1	
	C32	CK73HB1E103K	C CAPACITOR	0.01uF 25V K	1	
	C33	CK73HB0J105K	C CAPACITOR	1uF 6.3V K	1	
	C34	CK73HB1A104K	C CAPACITOR	0.1uF 10V K	1	
	C35	CK73HB1A104K	C CAPACITOR	0.1uF 10V K	1	
	C36	CC73HCH1H100D	C CAPACITOR	10pF 50V D	1	
	C37	CC73HCH1H100D	C CAPACITOR	10pF 50V D	1	
	C38	CK73HB1A104K	C CAPACITOR	0.1uF 10V K	1	
	C39	CK73HB1A104K	C CAPACITOR	0.1uF 10V K	1	
	C40	CK73HB1A104K	C CAPACITOR	0.1uF 10V K	1	
	C41	CK73HB1A104K	C CAPACITOR	0.1uF 10V K	1	
	C42	CK73HB1A104K	C CAPACITOR	0.1uF 10V K	1	
	C43	CK73HB1A104K	C CAPACITOR	0.1uF 10V K	1	
	C44	CK73HB1A104K	C CAPACITOR	0.1uF 10V K	1	
	C45	CK73HB1A104K	C CAPACITOR	0.1uF 10V K	1	
	C46	CK73HB1A104K	C CAPACITOR	0.1uF 10V K	1	
	C47	CK73HB1A104K	C CAPACITOR	0.1uF 10V K	1	
	C48	CK73HB1A104K	C CAPACITOR	0.1uF 10V K	1	
	C49	CK73GB0J475K	C CAPACITOR	4.7uF 6.3V K	1	
	C50	CK73HB1A104K	C CAPACITOR	0.1uF 10V K	1	
	C51	CK73FB0J106K	C CAPACITOR	10uF 6.3V K	1	
	C52	CK73HB1A104K	C CAPACITOR	0.1uF 10V K	1	
	C53	CK73HB1A104K	C CAPACITOR	0.1uF 10V K	1	
	C54	CK73HB1A104K	C CAPACITOR	0.1uF 10V K	1	
	C55	CK73HB1A104K	C CAPACITOR	0.1uF 10V K	1	
	C56	CK73HB1A104K	C CAPACITOR	0.1uF 10V K	1	
	C57	CK73HB1A104K	C CAPACITOR	0.1uF 10V K	1	
	C58	CK73HB1A104K	C CAPACITOR	0.1uF 10V K	1	
	R1	RK73HB1J000J	MG RESISTOR	0Ω 1/16W J	1	
	R2	RK73HB1J000J	MG RESISTOR	0Ω 1/16W J	1	
	R3	RK73HB1J000J	MG RESISTOR	0Ω 1/16W J	1	
	R5	RK73HB1J000J	MG RESISTOR	0Ω 1/16W J	1	

MODEL	MARK	MODEL	MARK
KDC-BT318U	K0	KDC-BT34U	E1

Safe	Symbol No.	Parts No.	Parts Name	Description	QTY	Local
R6		RK73HB1J103J	MG RESISTOR	10kΩ 1/16W J	1	
R7		RK73HB1J103J	MG RESISTOR	10kΩ 1/16W J	1	
R9		RK73HB1J470J	MG RESISTOR	47Ω 1/16W J	1	
R10		RK73HB1J470J	MG RESISTOR	47Ω 1/16W J	1	
R11		RK73HB1J470J	MG RESISTOR	47Ω 1/16W J	1	
R12		RK73HB1J470J	MG RESISTOR	47Ω 1/16W J	1	
R14		RK73HB1J122J	MG RESISTOR	1.2kΩ 1/16W J	1	
R15		RK73HB1J122J	MG RESISTOR	1.2kΩ 1/16W J	1	
R16		RK73HB1J124J	MG RESISTOR	120kΩ 1/16W J	1	
R17		RK73HB1J124J	MG RESISTOR	120kΩ 1/16W J	1	
R18		RK73HB1J333J	MG RESISTOR	33kΩ 1/16W J	1	
R19		RK73HB1J681J	MG RESISTOR	680Ω 1/16W J	1	
R20		RK73HB1J103J	MG RESISTOR	10kΩ 1/16W J	1	
R21		RK73HB1J822J	MG RESISTOR	8.2kΩ 1/16W J	1	
R22		RK73HB1J681J	MG RESISTOR	680Ω 1/16W J	1	
R23		RK73HB1J103J	MG RESISTOR	10kΩ 1/16W J	1	
R24		RK73HB1J472J	MG RESISTOR	4.7kΩ 1/16W J	1	
R25		RK73HB1J153J	MG RESISTOR	15kΩ 1/16W J	1	
R26		RK73HB1J153J	MG RESISTOR	15kΩ 1/16W J	1	
R27		RK73HB1J472J	MG RESISTOR	4.7kΩ 1/16W J	1	
R28		RK73HB1J472J	MG RESISTOR	4.7kΩ 1/16W J	1	
R29		RK73HB1J472J	MG RESISTOR	4.7kΩ 1/16W J	1	
R32		RK73GB2A000J	MG RESISTOR	0Ω 1/10W J	1	
R33		RK73GB2A4R7J	MG RESISTOR	4.7Ω 1/10W J	1	
R34		RK73HB1J000J	MG RESISTOR	0Ω 1/16W J	1	
R35		RK73HB1J153J	MG RESISTOR	15kΩ 1/16W J	1	
R36		RK73HB1J153J	MG RESISTOR	15kΩ 1/16W J	1	
R37		RK73HB1J220J	MG RESISTOR	22Ω 1/16W J	1	
R38		RK73HB1J220J	MG RESISTOR	22Ω 1/16W J	1	
R39		RK73HB1J220J	MG RESISTOR	22Ω 1/16W J	1	
R40		RK73HB1J220J	MG RESISTOR	22Ω 1/16W J	1	
R41		RK73HB1J470J	MG RESISTOR	47Ω 1/16W J	1	
R42		RK73HB1J223J	MG RESISTOR	22kΩ 1/16W J	1	
R43		RK73HB1J223J	MG RESISTOR	22kΩ 1/16W J	1	
R44		RK73HB1J330J	MG RESISTOR	33Ω 1/16W J	1	
R45		RK73HB1J330J	MG RESISTOR	33Ω 1/16W J	1	
R50		RK73HB1J470J	MG RESISTOR	47Ω 1/16W J	1	
R51		RK73HB1J470J	MG RESISTOR	47Ω 1/16W J	1	
R52		RK73HB1J472J	MG RESISTOR	4.7kΩ 1/16W J	1	
R53		RK73HB1J472J	MG RESISTOR	4.7kΩ 1/16W J	1	
R54		RK73HB1J472J	MG RESISTOR	4.7kΩ 1/16W J	1	
R55		RK73HB1J472J	MG RESISTOR	4.7kΩ 1/16W J	1	
R56		RK73HB1J472J	MG RESISTOR	4.7kΩ 1/16W J	1	
R58		RK73HB1J470J	MG RESISTOR	47Ω 1/16W J	1	
R59		RK73HB1J470J	MG RESISTOR	47Ω 1/16W J	1	
R60		RK73HB1J470J	MG RESISTOR	47Ω 1/16W J	1	
R61		RK73HB1J223J	MG RESISTOR	22kΩ 1/16W J	1	
R62		RK73HB1J102J	MG RESISTOR	1kΩ 1/16W J	1	
R63		RK73HB1J102J	MG RESISTOR	1kΩ 1/16W J	1	
R64		RK73HB1J105J	MG RESISTOR	1MΩ 1/16W J	1	
R65		RK73HB1J332J	MG RESISTOR	3.3kΩ 1/16W J	1	
R66		RK73HB1J472J	MG RESISTOR	4.7kΩ 1/16W J	1	
R67		RK73HB1J470J	MG RESISTOR	47Ω 1/16W J	1	
R68		RK73HB1J472J	MG RESISTOR	4.7kΩ 1/16W J	1	
R69		RK73HB1J470J	MG RESISTOR	47Ω 1/16W J	1	
R70		RK73GB2A000J	MG RESISTOR	0Ω 1/10W J	1	
R71		RK73HB1J470J	MG RESISTOR	47Ω 1/16W J	1	
R72		RK73GB2A000J	MG RESISTOR	0Ω 1/10W J	1	
R73		RK73GB2A000J	MG RESISTOR	0Ω 1/10W J	1	
R76		RK73HB1J104J	MG RESISTOR	100kΩ 1/16W J	1	
R77		RK73HB1J000J	MG RESISTOR	0Ω 1/16W J	1	
R78		RK73HB1J102J	MG RESISTOR	1kΩ 1/16W J	1	
R79		RK73HB1J473J	MG RESISTOR	47kΩ 1/16W J	1	
R80		RK73HB1J473J	MG RESISTOR	47kΩ 1/16W J	1	
R81		RK73HB1J470J	MG RESISTOR	47Ω 1/16W J	1	
R82		RK73HB1J472J	MG RESISTOR	4.7kΩ 1/16W J	1	
R83		RK73HB1J470J	MG RESISTOR	47Ω 1/16W J	1	
R88		RK73HB1J000J	MG RESISTOR	0Ω 1/16W J	1	
R89		RK73HB1J104J	MG RESISTOR	100kΩ 1/16W J	1	
R90		RK73HB1J104J	MG RESISTOR	100kΩ 1/16W J	1	
R91		RK73GB2A000J	MG RESISTOR	0Ω 1/10W J	1	
R93		RK73HB1J223J	MG RESISTOR	22kΩ 1/16W J	1	
A1		W02-5568-05	CIRCUIT MODULE		1	
CN1		E41-3376-05	SOCKET FOR PIN ASSY		1	
X1		L77-3873-05	QUARTZ CRYSTAL		1	
CD MECHA PWB ASSY (LVA20110-01A) IN CD MECHA <CD>						
IC1		MN6627553APA	IC		1	
IC2		BD8266EFV-M-X	IC		1	
Q1		2SA2188/E-X	TRANSISTOR		1	
C1		CK73HBB1A104K	C CAPACITOR	0.1uF 10V K	1	
C3		CK73HBB1A104K	C CAPACITOR	0.1uF 10V K	1	
C4		CK73HBB1A104K	C CAPACITOR	0.1uF 10V K	1	
C7		CK73GBB1C334K	C CAPACITOR	0.33uF 16V K	1	
C8		CK73HBB1H102K	C CAPACITOR	1000pF 50V K	1	
C9		CK73HBB1C823K	C CAPACITOR	0.082uF 16V K	1	
C10		CK73HBB1H102K	C CAPACITOR	1000pF 50V K	1	
C11		CK73HBB1A104K	C CAPACITOR	0.1uF 10V K	1	
C12		CK73HBB1E153K	C CAPACITOR	0.015uF 25V K	1	
C13		CC73HCH1H681J	C CAPACITOR	680pF 50V J	1	
C14		CK73HBB1A104K	C CAPACITOR	0.1uF 10V K	1	
C15		CK73GXR0J475K	C CAPACITOR	4.7uF 6.3V K	1	
C16		CK730AU0J105K	C CAPACITOR	1uF 6.3V K	1	
C17		CK73GBB1C334K	C CAPACITOR	0.33uF 16V K	1	

MODEL	MARK	MODEL	MARK
KDC-BT318U	K0	KDC-BT34U	E1

Safe	Symbol No.	Parts No.	Parts Name	Description	QTY	Local
	C18	CK73HBB1H332K	C CAPACITOR	3300pF 50V K	1	
	C19	CK73HBB1E223K	C CAPACITOR	0.022uF 25V K	1	
	C20	NCB20JK-106X	C CAPACITOR	10uF 6.3V K	1	
	C21	CK73GBB1C334K	C CAPACITOR	0.33uF 16V K	1	
	C26	CK73FXR1C106K	C CAPACITOR	10uF 16V K	1	
	C27	CK73HBB1A104K	C CAPACITOR	0.1uF 10V K	1	
	C28	CK73HBB1A104K	C CAPACITOR	0.1uF 10V K	1	
	C50	CK73HBB1H682K	C CAPACITOR	6800pF 50V K	1	
	C51	CK73HBB1H682K	C CAPACITOR	6800pF 50V K	1	
	C52	CK73HBB1H103K	C CAPACITOR	0.01uF 50V K	1	
	C53	CK73HBB1H103K	C CAPACITOR	0.01uF 50V K	1	
	C55	CK73HBB1A104K	C CAPACITOR	0.1uF 10V K	1	
	C60	CC73HCH1H821J	C CAPACITOR	820pF 50V J	1	
	C61	CC73HCH1H821J	C CAPACITOR	820pF 50V J	1	
	C62	CK73GXR0J106M	C CAPACITOR	10uF 6.3V M	1	
	C72	CK73GBB1C104K	C CAPACITOR	0.1uF 16V K	1	
	C82	CC73HCH1H471J	C CAPACITOR	470pF 50V J	1	
	C83	CC73HCH1H120J	C CAPACITOR	12pF 50V J	1	
	C84	CC73HCH1H120J	C CAPACITOR	12pF 50V J	1	
	C85	CK73HBB1A104K	C CAPACITOR	0.1uF 10V K	1	
	C243	CK73HBB1H682K	C CAPACITOR	6800pF 50V K	1	
	C244	CK73GBB1C154K	C CAPACITOR	0.15uF 16V K	1	
	R3	RK73HB1J102J	MG RESISTOR	1kΩ 1/16W J	1	
	R4	RK73HB1J105J	MG RESISTOR	1MΩ 1/16W J	1	
	R7	RK73HB1J272J	MG RESISTOR	2.7kΩ 1/16W J	1	
	R8	RK73HB1J821J	MG RESISTOR	820Ω 1/16W J	1	
	R9	RK73HB1J823J	MG RESISTOR	82kΩ 1/16W J	1	
	R10	RK73FB2B4R7J	MG RESISTOR	4.7Ω 1/8W J	1	
	R11	RK73HB1J472J	MG RESISTOR	4.7kΩ 1/16W J	1	
	R12	RK73HB1J225J	MG RESISTOR	2.2MΩ 1/16W J	1	
	R17	RK73HB1J123J	MG RESISTOR	12kΩ 1/16W J	1	
	R18	RK73HB1J822J	MG RESISTOR	8.2kΩ 1/16W J	1	
	R20	RK73HB1J103J	MG RESISTOR	10kΩ 1/16W J	1	
	R21	RK73HB1J822J	MG RESISTOR	8.2kΩ 1/16W J	1	
	R22	RK73HB1J562J	MG RESISTOR	5.6kΩ 1/16W J	1	
	R23	RK73HB1J183J	MG RESISTOR	18kΩ 1/16W J	1	
	R24	RK73HB1J272J	MG RESISTOR	2.7kΩ 1/16W J	1	
	R25	RK73HB1J562J	MG RESISTOR	5.6kΩ 1/16W J	1	
	R26	RK73HB1J223J	MG RESISTOR	22kΩ 1/16W J	1	
	R27	RK73HB1J562J	MG RESISTOR	5.6kΩ 1/16W J	1	
	R28	RK73HB1J114J	MG RESISTOR	110kΩ 1/16W J	1	
	R29	RK73HB1J101J	MG RESISTOR	100Ω 1/16W J	1	
	R30	RK73HB1J101J	MG RESISTOR	100Ω 1/16W J	1	
	R31	RK73HB1J821J	MG RESISTOR	820Ω 1/16W J	1	
	R32	RK73HB1J821J	MG RESISTOR	820Ω 1/16W J	1	
	R33	RK73HB1J131J	MG RESISTOR	130Ω 1/16W J	1	
	R37	RK73HB1J103J	MG RESISTOR	10kΩ 1/16W J	1	
	R38	RK73HB1J101J	MG RESISTOR	100Ω 1/16W J	1	
	R43	RK73HB1J000J	MG RESISTOR	0Ω 1/16W J	1	
	R44	RK73HB1J101J	MG RESISTOR	100Ω 1/16W J	1	
	R47	RK73HB1J101J	MG RESISTOR	100Ω 1/16W J	1	
	R48	RK73HB1J101J	MG RESISTOR	100Ω 1/16W J	1	
	R49	RK73HB1J101J	MG RESISTOR	100Ω 1/16W J	1	
	R50	RK73HB1J101J	MG RESISTOR	100Ω 1/16W J	1	
	R51	RK73HB1J101J	MG RESISTOR	100Ω 1/16W J	1	
	R267	RK73HB1J222J	MG RESISTOR	2.2kΩ 1/16W J	1	
	R268	RK73HB1J222J	MG RESISTOR	2.2kΩ 1/16W J	1	
	R305	RK73HB1J101J	MG RESISTOR	100Ω 1/16W J	1	
	L1	LB73G0BF-002	CHIP FERRITE		1	
	L2	LB73H0AY-004	CHIP FERRITE		1	
	L3	LB73H0AY-004	CHIP FERRITE		1	
	CN1	QGF1044F3-26X	CONNECTOR	FFC/FPC (1-26)	1	
	CN2	QGF0522F6-15W	CONNECTOR	FFC/FPC (1-15)	1	
	S1	NSW0291-001X	DETECT SWITCH		1	
	S2	NSW0291-001X	DETECT SWITCH		1	
	S3	NSW0313-001X	DETECT SWITCH		1	
	X1	NAX1158-001X	CRYSTAL		1	
CD PLAYER UNIT (X32-6690-00) IN CD MECHA <X32>						
	IC1	MN6627553APA	IC		1	
	IC2	BD8266EFV-M-X	IC		1	
	Q1	2SA2188-T1(E)	TRANSISTOR		1	
	C1	CK73HBB1A104K	C CAPACITOR	0.1uF 10V K	1	
	C3	CK73HBB1A104K	C CAPACITOR	0.1uF 10V K	1	
	C4	CK73HBB1A104K	C CAPACITOR	0.1uF 10V K	1	
	C7	CK73GBB1C334K	C CAPACITOR	0.33uF 16V K	1	
	C8	CK73HBB1H102K	C CAPACITOR	1000pF 50V K	1	
	C9	CK73HBB1C823K	C CAPACITOR	0.082uF 16V K	1	
	C10	CK73HBB1H102K	C CAPACITOR	1000pF 50V K	1	
	C11	CK73HBB1A104K	C CAPACITOR	0.1uF 10V K	1	
	C12	CK73HBB1E153K	C CAPACITOR	0.015uF 25V K	1	
	C13	CC73HCH1H681J	C CAPACITOR	680pF 50V J	1	
	C14	CK73HBB1A104K	C CAPACITOR	0.1uF 10V K	1	
	C15	CK73GB0J475K	C CAPACITOR	4.7uF 6.3V K	1	
	C16	CK73HB0J105K	C CAPACITOR	1uF 6.3V K	1	
	C17	CK73GBB1C334K	C CAPACITOR	0.33uF 16V K	1	
	C18	CK73HBB1H332K	C CAPACITOR	3300pF 50V K	1	
	C19	CK73HBB1E223K	C CAPACITOR	0.022uF 25V K	1	
	C20	CK73FB0J106K	C CAPACITOR	10uF 6.3V K	1	
	C21	CK73GBB1C334K	C CAPACITOR	0.33uF 16V K	1	
	C26	CK73FB1C106K	C CAPACITOR	10uF 16V K	1	
	C27	CK73HBB1A104K	C CAPACITOR	0.1uF 10V K	1	

MODEL		MARK		MODEL		MARK	
KDC-BT318U		K0		KDC-BT34U		E1	
Safe	Symbol No.	Parts No.	Parts Name	Description	QTY	Local	
	C28	CK73HBB1A104K	C CAPACITOR	0.1uF 10V K	1		
	C50	CK73HBB1H682K	C CAPACITOR	6800pF 50V K	1		
	C51	CK73HBB1H682K	C CAPACITOR	6800pF 50V K	1		
	C52	CK73HBB1H103K	C CAPACITOR	0.01uF 50V K	1		
	C53	CK73HBB1H103K	C CAPACITOR	0.01uF 50V K	1		
	C55	CK73HBB1A104K	C CAPACITOR	0.1uF 10V K	1		
	C60	CC73HCH1H821J	C CAPACITOR	820pF 50V J	1		
	C61	CC73HCH1H821J	C CAPACITOR	820pF 50V J	1		
	C62	CK73GB0J106M	C CAPACITOR	10uF 6.3V M	1		
	C72	CK73GBB1C104K	C CAPACITOR	0.1uF 16V K	1		
	C82	CC73HCH1H471J	C CAPACITOR	470pF 50V J	1		
	C83	CC73HCH1H120J	C CAPACITOR	12pF 50V J	1		
	C84	CC73HCH1H120J	C CAPACITOR	12pF 50V J	1		
	C85	CK73HBB1A104K	C CAPACITOR	0.1uF 10V K	1		
	C243	CK73HBB1H682K	C CAPACITOR	6800pF 50V K	1		
	C244	CK73GB1E154K	C CAPACITOR	0.15uF 25V K	1		
	R3	RK73HB1J102J	MG RESISTOR	1kΩ 1/16W J	1		
	R4	RK73HB1J105J	MG RESISTOR	1MΩ 1/16W J	1		
	R7	RK73HB1J272J	MG RESISTOR	2.7kΩ 1/16W J	1		
	R8	RK73HB1J821J	MG RESISTOR	820Ω 1/16W J	1		
	R9	RK73HB1J823J	MG RESISTOR	82kΩ 1/16W J	1		
	R10	RK73FB2B4R7J	MG RESISTOR	4.7Ω 1/8W J	1		
	R11	RK73HB1J472J	MG RESISTOR	4.7kΩ 1/16W J	1		
	R12	RK73HB1J225J	MG RESISTOR	2.2MΩ 1/16W J	1		
	R17	RK73HB1J123J	MG RESISTOR	12kΩ 1/16W J	1		
	R18	RK73HB1J822J	MG RESISTOR	8.2kΩ 1/16W J	1		
	R20	RK73HB1J103J	MG RESISTOR	10kΩ 1/16W J	1		
	R21	RK73HB1J822J	MG RESISTOR	8.2kΩ 1/16W J	1		
	R22	RK73HB1J562J	MG RESISTOR	5.6kΩ 1/16W J	1		
	R23	RK73HB1J183J	MG RESISTOR	18kΩ 1/16W J	1		
	R24	RK73HB1J272J	MG RESISTOR	2.7kΩ 1/16W J	1		
	R25	RK73HB1J562J	MG RESISTOR	5.6kΩ 1/16W J	1		
	R26	RK73HB1J223J	MG RESISTOR	22kΩ 1/16W J	1		
	R27	RK73HB1J562J	MG RESISTOR	5.6kΩ 1/16W J	1		
	R28	RK73HB1J114J	MG RESISTOR	110kΩ 1/16W J	1		
	R29	RK73HB1J101J	MG RESISTOR	100Ω 1/16W J	1		
	R30	RK73HB1J101J	MG RESISTOR	100Ω 1/16W J	1		
	R31	RK73HB1J821J	MG RESISTOR	820Ω 1/16W J	1		
	R32	RK73HB1J821J	MG RESISTOR	820Ω 1/16W J	1		
	R33	RK73HB1J131J	MG RESISTOR	130Ω 1/16W J	1		
	R37	RK73HB1J103J	MG RESISTOR	10kΩ 1/16W J	1		
	R38	RK73HB1J101J	MG RESISTOR	100Ω 1/16W J	1		
	R43	RK73HB1J000J	MG RESISTOR	0Ω 1/16W J	1		
	R44	RK73HB1J101J	MG RESISTOR	100Ω 1/16W J	1		
	R47	RK73HB1J101J	MG RESISTOR	100Ω 1/16W J	1		
	R48	RK73HB1J101J	MG RESISTOR	100Ω 1/16W J	1		
	R49	RK73HB1J101J	MG RESISTOR	100Ω 1/16W J	1		
	R50	RK73HB1J101J	MG RESISTOR	100Ω 1/16W J	1		
	R51	RK73HB1J101J	MG RESISTOR	100Ω 1/16W J	1		
	R267	RK73HB1J222J	MG RESISTOR	2.2kΩ 1/16W J	1		
	R268	RK73HB1J222J	MG RESISTOR	2.2kΩ 1/16W J	1		
	R305	RK73HB1J101J	MG RESISTOR	100Ω 1/16W J	1		
	L1	L92-0378-05	CHIP FERRITE		1		
	L2	L92-0446-05	BEADS CORE		1		
	L3	L92-0446-05	BEADS CORE		1		
	CN1	E41-3430-05	FLAT CABLE CON		1		
	CN2	E41-3488-05	FLAT CABLE CON		1		
	S1	S6J-0001-00	PUSH SWITCH		1		
	S2	S6J-0001-00	PUSH SWITCH		1		
	S3	S6J-0002-00	PUSH SWITCH		1		
	X1	NAX1158-001X	CRYSTAL		1		