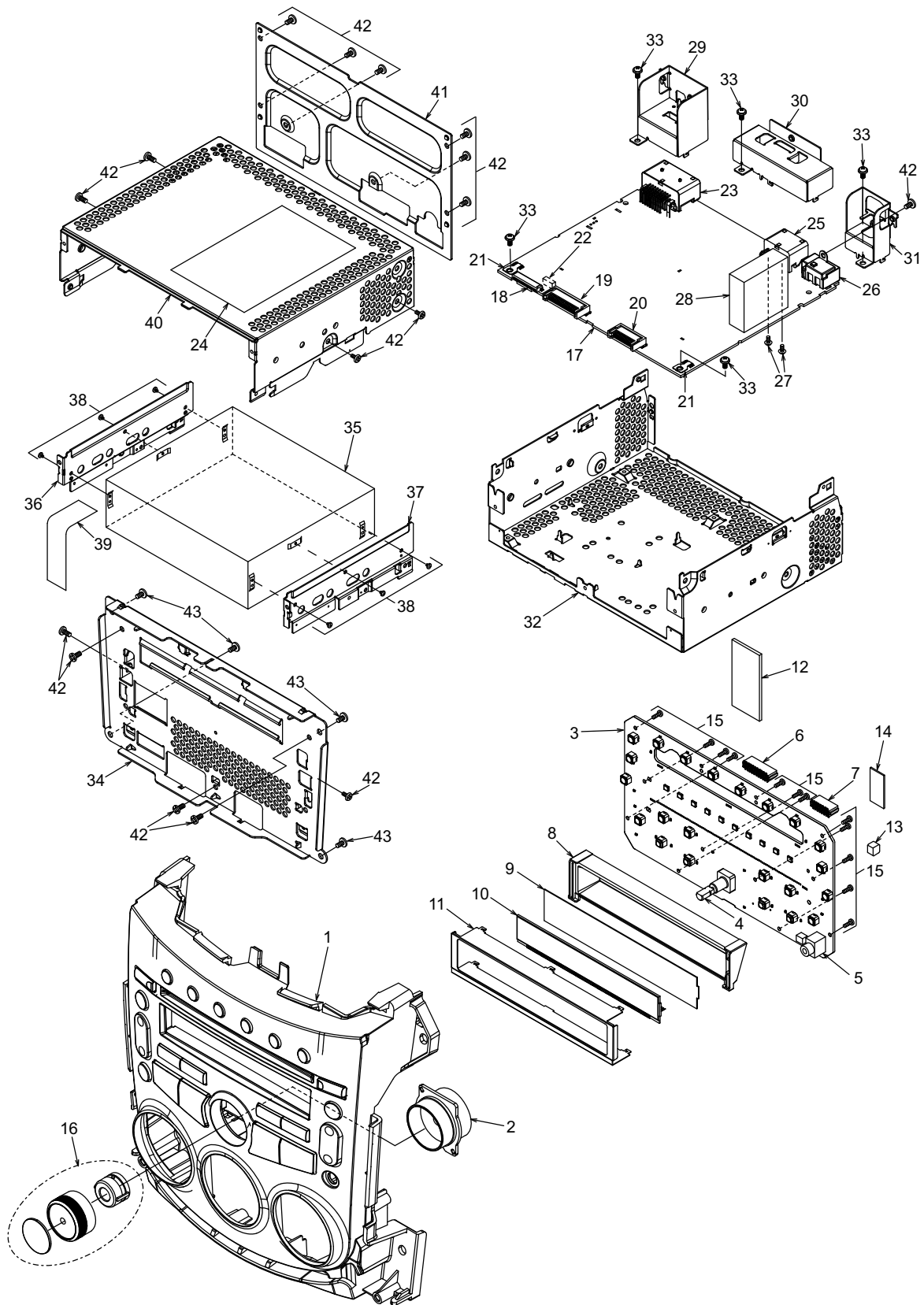


EXPLODED VIEW/PARTS LIST

Main section



NO.	PART NO.	DESCRIPTION	Q'TY
1	940-8442-11	ES-ASSY	1
2	335-8390-00	ILLUMI RING	1
3	-----	Switch PWB	1
4	016-0018-23	VR W/SHAFT	1
5	075-9024-00	JACK	1
6	074-3033-26	SOCKET (26P)	1
7	074-3033-16	SOCKET (16P)	1
8	335-8384-00	LCD HOLDER	1
9	335-8438-00	LCD REFLECTOR	1
10	379-1421-51	INDICATOR (LCD)	1
11	331-4682-00	LCD COVER	1
12	345-8090-00	CUSHION RUBBER	1
13	345-5805-51	GASKET	1
14	347-8203-00	SHIELD SHEET	1
15	716-0778-52	SP-SCREW (2x6)	12
16	947-0739-00	KNOB-ASSY	1
17	-----	Main PWB	1
18	074-1237-69	SOCKET (19P)	1
19	076-3011-76	PLUG (26P)	1
20	076-3011-66	PLUG (16P)	1
21	073-0762-90	TERMINAL	2
22	076-6000-59	PLUG (9P)	1

NO.	PART NO.	DESCRIPTION	Q'TY
23	074-4009-20	SOCKET (20P)	1
24	276-0533-00	SET PLATE	1
25	074-1302-12	SOCKET (12P)	1
26	092-2210-01	ANT-RECEPT	1
27	778-3006-00	SPECIAL SCREW (M3x6)	2
28	880-2091M	AM/FM TUNER	1
29	331-4679-00	SOCKET HOLDER	1
30	331-4677-00	SHIELD CASE	1
31	331-4676-00	ANT-HOLDER	1
32	311-1969-00	LOWER CASE	1
33	716-0878-50	SCREW (M2.6x5)	5
34	309-1887-01	ES-PLATE	1
35	929-0410-80	CD-CHANG-MODULE	1
36	331-4091-10	MECH BRKT (LH)	1
37	331-4092-10	MECH BRKT (RH)	1
38	716-3552-00	SP-SCREW (M2.3x0.4)	6
39	816-4024-50	FLAT WIRE	1
40	310-1889-10	UPPER CASE	1
41	307-0735-20	REAR CVR	1
42	714-2606-8B	D-SEMS SCREW (M2.6x6)	16
43	716-1553-50	SP-SCREW (3x8)	4

ELECTRICAL PARTS LIST

Main PWB(B1) section

REF No.	PART No.	DESCRIPTION	REF No.	PART No.	DESCRIPTION	REF No.	PART No.	DESCRIPTION
ANT101	092-2210-01	ANT-RECEPT	C154	163-1063-35	16V 10uF	C323	168-1022-55	1000pF K
BL101	880-2091M	TUNER	C201	168-1022-55	1000pF K	C324	163-2273-05	4V 220uF
C101	168-2222-55	2200pF K	C202	163-1073-35	16V 100uF	C325	168-2222-55	2200pF K
C104	119-0000-05	1/10W 0 ohm JW	C203	168-1042-78	16V 0.1uF K	C326	166-4711-50	470pF CH
C108	166-1511-50	150pF CH	C204	163-3363-25	10V 33uF	C327	163-2263-35	16V 22uF
C113	166-2201-50	22pF CH	C223	168-1052-78	16V 1uF K	C328	163-4763-15	6.3V 47uF
C117	168-1042-78	16V 0.1uF K	C225	168-1042-78	16V 0.1uF K	C330	166-1011-50	100pF CH
C118	168-1022-55	1000pF K	C226	168-1022-55	1000pF K	C331	168-1042-78	16V 0.1uF K
C119	168-3342-58	0.33uF K	C228	168-3342-58	0.33uF K	C332	166-1011-50	100pF CH
C120	163-4763-15	6.3V 47uF	C229	042-4000-90	16V 470uF	C333	168-1022-55	1000pF K
C121	163-1073-35	16V 100uF	C234	168-1052-78	16V 1uF K	C334	168-1022-55	1000pF K
C122	168-1052-78	16V 1uF K	C237	168-2242-58	0.22uF K	C335	163-1063-35	16V 10uF
C123	168-1052-78	16V 1uF K	C238	163-1063-35	16V 10uF	C336	168-1052-78	16V 1uF K
C124	168-2222-55	2200pF K	C245	042-4000-90	16V 470uF	C337	168-3332-78	0.033uF K
C125	168-5612-55	560pF Z	C301	163-4753-65	50V 4.7uF	C338	168-1022-55	1000pF K
C126	168-1052-78	16V 1uF K	C302	168-1042-78	16V 0.1uF K	C340	168-1022-55	1000pF K
C127	168-1022-55	1000pF K	C303	166-1811-50	180pF CH	C341	166-1011-50	100pF CH
C128	168-2242-58	0.22uF K	C304	168-1042-78	16V 0.1uF K	C342	168-1022-55	1000pF K
C129	168-1022-55	1000pF K	C305	168-1042-78	16V 0.1uF K	C343	168-4712-55	470pF K
C130	168-3922-55	3900pF K	C306	166-8097-50	8pF C CH	C344	168-1042-78	16V 0.1uF K
C131	168-3922-55	3900pF K	C307	166-8097-50	8pF C CH	C345	168-1022-55	1000pF K
C132	168-1022-55	1000pF K	C308	168-1022-55	1000pF K	C347	168-3322-55	3300pF K
C133	168-1042-78	16V 0.1uF K	C309	163-4753-65	50V 4.7uF	C348	168-3322-55	3300pF K
C134	168-1042-78	16V 0.1uF K	C310	168-1042-78	16V 0.1uF K	C349	168-3322-55	3300pF K
C135	168-1022-55	1000pF K	C311	163-4753-65	50V 4.7uF	C350	168-3322-55	3300pF K
C136	163-1073-35	16V 100uF	C312	168-1042-78	16V 0.1uF K	C351	168-3322-55	3300pF K
C137	168-1052-78	16V 1uF K	C313	168-1022-55	1000pF K	C352	168-3322-55	3300pF K
C138	168-1052-78	16V 1uF K	C314	168-1022-55	1000pF K	C354	043-0554-90	25V 10uF
C139	168-1042-78	16V 0.1uF K	C315	166-1011-50	100pF CH	C355	042-1736-90	16V 470uF M
C140	166-2201-50	22pF CH	C316	168-1042-78	16V 0.1uF K	C356	168-4722-55	4700pF K
C141	166-2201-50	22pF CH	C317	168-5622-55	5600pF K	C357	163-1073-15	6.3V 100uF
C142	166-2201-50	22pF CH	C318	168-5622-55	5600pF K	C358	168-2222-55	2200pF K
C143	166-2201-50	22pF CH	C319	166-1011-50	100pF CH	C359	043-0548-50	10V 2.2uF
C144	168-1052-78	16V 1uF K	C320	166-1011-50	100pF CH	C360	043-0548-50	10V 2.2uF
C152	163-1063-35	16V 10uF	C322	168-1022-55	1000pF K	C361	166-2201-50	22pF CH

REF No.	PART No.	DESCRIPTION	REF No.	PART No.	DESCRIPTION	REF No.	PART No.	DESCRIPTION
C362	168-2222-55	2200pF K	C569	166-2201-50	22pF CH	D559	001-9210-50	AVR-M1608C270M
C363	166-2201-50	22pF CH	C570	178-2242-38	0.22uF B			TAAD
C364	166-2201-50	22pF CH	C590	168-1522-55	1500pF K	D561	001-9210-50	AVR-M1608C270M
C365	168-2222-55	2200pF K	C592	042-4000-90	16V 470uF			TAAD
C366	166-2201-50	22pF CH	C593	168-1522-55	1500pF K	D562	001-9210-50	AVR-M1608C270M
C367	168-2222-55	2200pF K	C595	168-1022-55	1000pF K			TAAD
C368	166-2201-50	22pF CH	C598	168-1022-55	1000pF K	IC101	051-6524-90	AK2301A-E1
C369	166-2201-50	22pF CH	C599	168-1022-55	1000pF K	IC102	051-7255-08	SN74AHC1G66HD
C370	043-0548-50	10V 2.2uF	C601	043-0570-90	16V 2.2uF K			CKR
C371	043-0548-50	10V 2.2uF	C602	043-0570-90	16V 2.2uF K	IC103	051-3034-90	NJM4558V
C372	043-0548-50	10V 2.2uF	C603	166-5601-50	56pF CH	IC201	051-3516-90	S-1132B33-U5T1G
C373	043-0548-50	10V 2.2uF	C604	166-5601-50	56pF CH	IC205	051-3553-90	NJM2865F3-05
C401	168-1042-78	16V 0.1uF K	C609	166-5601-50	56pF CH	IC301	-----	SAF7730HV/N332
C402	168-1042-78	16V 0.1uF K	C610	166-5601-50	56pF CH	IC302	051-3020-90	NJM4565V
C407	166-1801-50	18pF CH	C611	043-0570-90	16V 2.2uF K	IC401	051-9430-90	S-24CS64A01-T8T1G
C408	166-1501-50	15pF CH	C612	043-0570-90	16V 2.2uF K	IC402	051-9430-90	S-24CS64A01-T8T1G
C409	168-1042-78	16V 0.1uF K	C613	166-5601-50	56pF CH	IC403	-----	M30879FKBGP
C410	163-4763-15	6.3V 47uF	C614	166-5601-50	56pF CH	IC405	051-5417-08	S-80927CNMC-B8M
C411	168-1042-78	16V 0.1uF K	C619	166-5601-50	56pF CH	IC501	051-3518-90	NJM2846DL3-33-TE1
C412	168-1032-55	0.01uF K	C620	166-5601-50	56pF CH	IC502	051-3019-90	NJM2060V
C501	168-1042-78	16V 0.1uF K	C621	163-3363-25	10V 33uF	IC503	051-3551-90	NJM2878F3-33-TE1
C502	168-1042-78	16V 0.1uF K	C622	163-3363-25	10V 33uF	IC504	051-3396-90	NJM2386ADL3-33-TE1
C503	168-1042-78	16V 0.1uF K	C623	163-3363-25	10V 33uF			
C504	168-1042-78	16V 0.1uF K	C624	163-3363-25	10V 33uF	IC505	051-3517-90	LT3481EMSE#TRP
C505	168-3342-58	0.33uF K	C625	163-3363-25	10V 33uF			BF
C506	166-5611-50	560pF CH	C626	163-3363-25	10V 33uF	IC507	051-3034-90	NJM4558V
C507	166-5611-50	560pF CH	C627	163-3363-25	10V 33uF	IC508	051-5441-08	BD4828G-TR
C508	043-0554-90	25V 10uF	C628	163-3363-25	10V 33uF	IC601	051-3019-90	NJM2060V
C509	166-5611-50	560pF CH	CCT402	050-0140-54	1/32W 1k ohm x4J	IC602	051-3019-90	NJM2060V
C510	166-5611-50	560pF CH	CCT403	050-0145-52	1/16W 1k ohm x4	J201	074-1302-12	12P
C511	166-2201-50	22pF CH	CCT404	050-0145-52	1/16W 1k ohm x4	J205	074-1237-69	19P
C512	166-2201-50	22pF CH	D104	001-0580-90	1SS352	J502	074-4009-20	20P
C513	166-2201-50	22pF CH	D106	001-0529-48	MA8091-H	L101	010-3104-54	600 ohm/100MHz
C514	166-2201-50	22pF CH	D107	001-0580-90	1SS352	L105	010-2003-04	30uH
C515	168-1052-78	16V 1uF K	D209	001-2412-90	RR264M-400	L107	010-3104-54	600 ohm/100MHz
C516	163-1073-35	16V 100uF	D210	001-4313-54	HZU9C2L TRF-E	L301	010-3104-54	600 ohm/100MHz
C518	166-5611-50	560pF CH	D226	001-9210-50	AVR-M1608C270M	L302	010-3104-54	600 ohm/100MHz
C519	166-5611-50	560pF CH			TAAD	L303	010-3104-54	600 ohm/100MHz
C520	168-3342-58	0.33uF K	D227	001-4320-50	EDZC6.8B	L304	010-3104-54	600 ohm/100MHz
C521	166-5611-50	560pF CH	D228	001-4320-50	EDZC6.8B	L305	010-3104-54	600 ohm/100MHz
C522	166-5611-50	560pF CH	D229	001-4320-50	EDZC6.8B	L306	010-3104-54	600 ohm/100MHz
C523	168-1042-78	16V 0.1uF K	D230	001-4320-50	EDZC6.8B	L307	010-3104-54	600 ohm/100MHz
C524	168-2242-58	0.22uF K	D231	001-4320-50	EDZC6.8B	L308	010-3104-54	600 ohm/100MHz
C525	043-0552-90	6.3V 47uF M	D501	001-2640-90	D1FJ4	L309	010-3104-54	600 ohm/100MHz
C526	043-0566-90	50V 2.2uF K	D502	001-0529-48	MA8091-H	L310	010-3104-54	600 ohm/100MHz
C527	043-0604-90	25V 10uF B	D504	001-0529-48	MA8091-H	L311	010-3104-54	600 ohm/100MHz
C529	168-4742-78	0.47uF K	D505	001-2412-90	RR264M-400	L312	010-3104-54	600 ohm/100MHz
C530	168-1042-38	50V 0.1uF K	D506	001-2015-00	RL253	L313	010-3104-54	600 ohm/100MHz
C531	163-1073-35	16V 100uF	D507	001-0580-90	1SS352	L402	010-3406-54	2.2uH J
C536	168-1042-78	16V 0.1uF K	D508	001-0580-90	1SS352	L501	010-3104-54	600 ohm/100MHz
C543	163-4763-35	16V 47uF	D509	001-0580-90	1SS352	L502	010-3414-92	2.2UH
C544	163-2273-25	10V 220uF	D510	001-0529-48	MA8091-H	L503	010-8045-00	520uH
C545	168-2212-55	220pF K	D511	001-4320-50	EDZC6.8B	L525	010-3104-53	220 ohm/100MHz
C546	166-2201-50	22pF CH	D512	001-0580-90	1SS352	P101	076-3011-66	16P
C548	163-4763-35	16V 47uF	D514	001-4320-50	EDZC6.8B	P402	076-3011-76	26P
C550	172-1041-15	0.1uF	D515	001-0529-34	MA8062-L	P403	076-6000-59	9P
C551	163-4763-35	16V 47uF	D516	001-0580-90	1SS352	Q105	198-3018-00	2SK3018
C552	163-4763-35	16V 47uF	D517	001-0529-47	MA8091-M	Q106	198-3018-00	2SK3018
C553	168-6822-55	6800pF K	D521	001-4320-50	EDZC6.8B	Q107	192-5886-00	2SC5886
C554	168-1832-55	0.018uF K	D524	001-4320-50	EDZC6.8B	Q108	125-2027-90	DTC143EU
C555	168-1832-55	0.018uF K	D526	001-2630-90	1SS420-TPL3,F	Q109	190-2060-00	2SA2060
C556	168-1832-55	0.018uF K	D537	001-2412-90	RR264M-400	Q209	125-9015-92	RN4902
C557	168-1832-55	0.018uF K	D550	001-2412-90	RR264M-400	Q214	193-1259-50	2SD1259DS R,Q
C558	168-1832-55	0.018uF K	D554	001-9210-50	AVR-M1608C270M	Q301	125-7007-90	Si5441BDC-TI-E3
C559	168-1832-55	0.018uF K			TAAD	Q302	125-2027-91	DTC114EUA
C560	168-6822-55	6800pF K	D555	001-9210-50	AVR-M1608C270M	Q403	125-2027-91	DTC114EUA
C561	168-1832-55	0.018uF K			TAAD	Q404	125-0021-91	DTA114EUA
C562	168-1832-55	0.018uF K	D556	001-9210-50	AVR-M1608C270M	Q405	191-0709-00	2SB709A Q,R,S
C563	043-0574-90	25V 1.0uF			TAAD	Q406	192-2712-00	2SC2712
C564	168-1042-78	16V 0.1uF K	D557	001-9210-50	AVR-M1608C270M	Q407	125-2027-91	DTC114EUA
C565	163-1063-35	16V 10uF			TAAD	Q408	198-3018-00	2SK3018
C566	168-2232-55	0.022uF K	D558	001-9210-50	AVR-M1608C270M	Q409	125-2027-91	DTC114EUA
C567	189-1083-32	16V 1000uF			TAAD	Q410	198-3018-00	2SK3018
C568	168-1522-55	1500pF K				Q411	125-2027-91	DTC114EUA

REF No.	PART No.	DESCRIPTION	REF No.	PART No.	DESCRIPTION	REF No.	PART No.	DESCRIPTION
Q501	125-9015-92	RN4902	R248	116-3911-15	1/4W 390 ohm	R406	119-1021-15	1/10W 1k ohm
Q502	125-2027-91	DTC114EUA	R249	119-1041-15	1/10W 100k ohm	R407	119-1021-15	1/10W 1k ohm
Q503	191-1197-50	2SB1197K Q,R	R261	119-1021-15	1/10W 1k ohm	R408	119-1021-15	1/10W 1k ohm
Q504	125-2027-91	DTC114EUA	R262	119-1021-15	1/10W 1k ohm	R409	119-0000-05	1/10W 0 ohm JW
Q505	191-1197-50	2SB1197K Q,R	R290	119-0000-05	1/10W 0 ohm JW	R410	119-4731-15	1/10W 47k ohm
Q506	192-5886-00	2SC5886	R291	119-0000-05	1/10W 0 ohm JW	R411	119-4721-15	1/10W 4.7k ohm
Q511	192-5810-00	2SC5810 TE12L	R292	119-0000-05	1/10W 0 ohm JW	R412	119-4721-15	1/10W 4.7k ohm
Q512	125-2027-91	DTC114EUA	R293	119-0000-05	1/10W 0 ohm JW	R413	119-3311-15	1/10W 330 ohm
Q513	191-1197-50	2SB1197K Q,R	R294	119-0000-05	1/10W 0 ohm JW	R414	119-3311-15	1/10W 330 ohm
Q514	192-4116-51	2SC4116 G,L	R295	119-0000-05	1/10W 0 ohm JW	R415	119-4731-15	1/10W 47k ohm
Q515	191-1204-61	2SB1204 R,S,T	R296	119-0000-05	1/10W 0 ohm JW	R416	119-4731-15	1/10W 47k ohm
Q516	125-2027-91	DTC114EUA	R301	119-1031-15	1/10W 10k ohm	R417	119-4731-15	1/10W 47k ohm
Q517	191-1197-50	2SB1197K Q,R	R302	119-1031-15	1/10W 10k ohm	R418	119-4711-15	1/10W 470 ohm
Q518	192-4081-00	2SC4081	R303	119-2201-15	1/10W 22 ohm	R419	119-4711-15	1/10W 470 ohm
Q519	192-4116-00	2SC4116	R308	119-1031-15	1/10W 10k ohm	R420	119-4711-15	1/10W 470 ohm
Q520	125-2027-91	DTC114EUA	R309	119-1011-15	1/10W 100 ohm	R421	119-4711-15	1/10W 470 ohm
Q521	192-4116-51	2SC4116 G,L	R310	119-1021-15	1/10W 1k ohm	R423	119-1011-15	1/10W 100 ohm
R101	119-1031-15	1/10W 10k ohm	R311	032-0140-50	1/10W 10k ohm F	R424	119-1011-15	1/10W 100 ohm
R102	119-1031-15	1/10W 10k ohm	R312	119-3921-15	1/10W 3.9k ohm	R426	119-1031-15	1/10W 10k ohm
R104	119-1031-15	1/10W 10k ohm	R313	032-0140-50	1/10W 10k ohm F	R427	119-1031-15	1/10W 10k ohm
R106	119-4731-15	1/10W 47k ohm	R314	119-3921-15	1/10W 3.9k ohm	R428	119-1031-15	1/10W 10k ohm
R107	119-1031-15	1/10W 10k ohm	R315	032-0140-50	1/10W 10k ohm F	R429	119-1031-15	1/10W 10k ohm
R108	119-1031-15	1/10W 10k ohm	R316	119-0000-05	1/10W 0 ohm JW	R430	119-1011-15	1/10W 100 ohm
R109	119-0000-05	1/10W 0 ohm JW	R317	032-0140-50	1/10W 10k ohm F	R431	119-1011-15	1/10W 100 ohm
R110	119-1031-15	1/10W 10k ohm	R318	119-1041-15	1/10W 100k ohm	R432	119-1011-15	1/10W 100 ohm
R124	119-2741-15	1/10W 270k ohm	R319	119-1041-15	1/10W 100k ohm	R433	119-1011-15	1/10W 100 ohm
R125	119-0000-05	1/10W 0 ohm JW	R320	119-1001-15	1/10W 10 ohm	R434	119-1031-15	1/10W 10k ohm
R134	119-3331-15	1/10W 33k ohm	R321	119-3921-15	1/10W 3.9k ohm	R435	119-1031-15	1/10W 10k ohm
R135	119-1011-15	1/10W 100 ohm	R322	119-0000-05	1/10W 0 ohm JW	R437	119-4731-15	1/10W 47k ohm
R136	119-3931-15	1/10W 39k ohm	R323	119-1021-15	1/10W 1k ohm	R439	119-4731-15	1/10W 47k ohm
R137	119-3931-15	1/10W 39k ohm	R324	119-3921-15	1/10W 3.9k ohm	R442	119-4721-15	1/10W 4.7k ohm
R138	119-1031-15	1/10W 10k ohm	R325	119-0000-05	1/10W 0 ohm JW	R444	119-1021-15	1/10W 1k ohm
R139	119-1031-15	1/10W 10k ohm	R327	032-0140-50	1/10W 10k ohm F	R446	119-4731-15	1/10W 47k ohm
R140	119-1531-15	1/10W 15k ohm	R329	032-0140-50	1/10W 10k ohm F	R447	119-1031-15	1/10W 10k ohm
R141	119-1011-15	1/10W 100 ohm	R331	032-0140-50	1/10W 10k ohm F	R448	119-0000-05	1/10W 0 ohm JW
R142	119-3931-15	1/10W 39k ohm	R332	032-0140-50	1/10W 10k ohm F	R449	119-4731-15	1/10W 47k ohm
R143	119-1011-15	1/10W 100 ohm	R333	032-0140-50	1/10W 10k ohm F	R450	119-0000-05	1/10W 0 ohm JW
R144	119-4731-15	1/10W 47k ohm	R334	032-0140-50	1/10W 10k ohm F	R452	119-4731-15	1/10W 47k ohm
R145	119-4731-15	1/10W 47k ohm	R335	119-1031-15	1/10W 10k ohm	R453	119-1031-15	1/10W 10k ohm
R146	116-6891-15	1/4W 6.8 ohm	R336	119-1031-15	1/10W 10k ohm	R454	119-4731-15	1/10W 47k ohm
R147	119-0000-05	1/10W 0 ohm JW	R337	119-1031-15	1/10W 10k ohm	R456	119-1021-15	1/10W 1k ohm
R148	119-0000-05	1/10W 0 ohm JW	R338	119-1031-15	1/10W 10k ohm	R458	119-1021-15	1/10W 1k ohm
R149	119-2231-15	1/10W 22k ohm	R339	119-1011-15	1/10W 100 ohm	R459	119-4731-15	1/10W 47k ohm
R150	119-3321-15	1/10W 3.3k ohm	R340	119-1011-15	1/10W 100 ohm	R460	119-4731-15	1/10W 47k ohm
R151	119-6821-15	1/10W 6.8k ohm	R341	119-0000-05	1/10W 0 ohm JW	R466	119-4731-15	1/10W 47k ohm
R152	119-3931-15	1/10W 39k ohm	R342	119-0000-05	1/10W 0 ohm JW	R468	119-4791-15	1/10W 4.7 ohm
R153	119-1021-15	1/10W 1k ohm	R343	119-0000-05	1/10W 0 ohm JW	R469	119-1011-15	1/10W 100 ohm
R154	119-3321-15	1/10W 3.3k ohm	R347	119-1031-15	1/10W 10k ohm	R472	119-1011-15	1/10W 100 ohm
R155	119-3321-15	1/10W 3.3k ohm	R348	119-0000-05	1/10W 0 ohm JW	R474	119-4731-15	1/10W 47k ohm
R156	119-2231-15	1/10W 22k ohm	R349	119-4731-15	1/10W 47k ohm	R475	119-1011-15	1/10W 100 ohm
R157	119-2231-15	1/10W 22k ohm	R350	119-0000-05	1/10W 0 ohm JW	R476	119-1011-15	1/10W 100 ohm
R158	119-1001-15	1/10W 10 ohm	R351	119-1021-15	1/10W 1k ohm	R477	119-4721-15	1/10W 4.7k ohm
R159	119-1001-15	1/10W 10 ohm	R352	119-1021-15	1/10W 1k ohm	R478	119-4721-15	1/10W 4.7k ohm
R160	119-1031-15	1/10W 10k ohm	R353	119-1021-15	1/10W 1k ohm	R479	119-1031-15	1/10W 10k ohm
R161	119-0000-05	1/10W 0 ohm JW	R354	119-1021-15	1/10W 1k ohm	R480	119-4731-15	1/10W 47k ohm
R162	119-3321-15	1/10W 3.3k ohm	R356	119-1001-15	1/10W 10 ohm	R481	119-2231-15	1/10W 22k ohm
R163	119-1041-15	1/10W 100k ohm	R357	032-0140-15	1/10W 6.8k ohm F	R482	119-4731-15	1/10W 47k ohm
R164	119-2231-15	1/10W 22k ohm	R358	032-0140-15	1/10W 6.8k ohm F	R483	119-1031-15	1/10W 10k ohm
R165	119-1041-15	1/10W 100k ohm	R360	032-0140-15	1/10W 6.8k ohm F	R488	119-1241-15	1/10W 120k ohm
R166	119-0000-05	1/10W 0 ohm JW	R361	032-0140-15	1/10W 6.8k ohm F	R489	119-3331-15	1/10W 33k ohm
R170	116-1091-15	1/4W 1 ohm	R362	032-0140-50	1/10W 10k ohm F	R490	119-6801-15	1/10W 68 ohm
R173	116-1221-15	1/4W 1.2k ohm	R363	032-0140-50	1/10W 10k ohm F	R491	119-2241-15	1/10W 220k ohm
R174	116-3911-15	1/4W 390 ohm	R364	032-0140-50	1/10W 10k ohm F	R492	119-4731-15	1/10W 47k ohm
R176	119-1031-15	1/10W 10k ohm	R365	032-0140-50	1/10W 10k ohm F	R493	119-4721-15	1/10W 4.7k ohm
R180	119-0000-05	1/10W 0 ohm JW	R366	119-1031-15	1/10W 10k ohm	R494	119-4721-15	1/10W 4.7k ohm
R185	119-0000-05	1/10W 0 ohm JW	R367	119-1031-15	1/10W 10k ohm	R495	119-4731-15	1/10W 47k ohm
R187	119-0000-05	1/10W 0 ohm JW	R371	119-0000-05	1/10W 0 ohm JW	R496	119-4721-15	1/10W 4.7k ohm
R212	119-4731-15	1/10W 47k ohm	R372	119-0000-05	1/10W 0 ohm JW	R497	119-4721-15	1/10W 4.7k ohm
R213	119-1041-15	1/10W 100k ohm	R373	119-0000-05	1/10W 0 ohm JW	R498	119-1041-15	1/10W 100k ohm
R214	119-4721-15	1/10W 4.7k ohm	R401	119-1021-15	1/10W 1k ohm	R499	119-1041-15	1/10W 100k ohm
R215	119-4721-15	1/10W 4.7k ohm	R402	119-1021-15	1/10W 1k ohm	R501	116-8211-15	1/4W 820 ohm
R241	119-4731-15	1/10W 47k ohm	R403	119-1021-15	1/10W 1k ohm	R502	119-1031-15	1/10W 10k ohm
R242	116-2201-15	1/4W 22 ohm	R404	119-0000-05	1/10W 0 ohm JW	R503	119-1031-15	1/10W 10k ohm
R247	116-3911-15	1/4W 390 ohm	R405	119-1021-15	1/10W 1k ohm	R504	119-1031-15	1/10W 10k ohm

REF No.	PART No.	DESCRIPTION	REF No.	PART No.	DESCRIPTION	REF No.	PART No.	DESCRIPTION
R505	119-1031-15	1/10W 10k ohm	R561	116-1221-15	1/4W 1.2k ohm	R611	119-5631-15	1/10W 56k ohm
R506	116-8211-15	1/4W 820 ohm	R562	116-1221-15	1/4W 1.2k ohm	R612	119-5631-15	1/10W 56k ohm
R507	119-1031-15	1/10W 10k ohm	R563	119-1031-15	1/10W 10k ohm	R613	119-1031-15	1/10W 10k ohm
R508	119-1031-15	1/10W 10k ohm	R564	119-4721-15	1/10W 4.7k ohm	R614	119-1031-15	1/10W 10k ohm
R509	119-1031-15	1/10W 10k ohm	R565	119-1521-15	1/10W 1.5k ohm	R615	119-2231-15	1/10W 22k ohm
R510	119-1031-15	1/10W 10k ohm	R566	119-1031-15	1/10W 10k ohm	R616	117-1001-15	1/8W 10 ohm
R511	119-1031-15	1/10W 10k ohm	R567	032-0148-50	1/10W 100k ohm D	R617	117-1001-15	1/8W 10 ohm
R512	119-1031-15	1/10W 10k ohm	R568	032-0140-16	1/10W 180k ohm F	R618	119-2231-15	1/10W 22k ohm
R514	119-1051-15	1/10W 1M ohm	R570	119-0000-05	1/10W 0 ohm JW	R621	119-3321-15	1/10W 3.3k ohm
R515	119-1051-15	1/10W 1M ohm	R571	119-0000-05	1/10W 0 ohm JW	R622	119-3321-15	1/10W 3.3k ohm
R516	119-1051-15	1/10W 1M ohm	R572	032-0208-51	1/4W 15k ohm	R623	119-2231-15	1/10W 22k ohm
R517	119-1051-15	1/10W 1M ohm	R573	119-2221-15	1/10W 2.2k ohm	R624	119-1531-15	1/10W 15k ohm
R518	119-1031-15	1/10W 10k ohm	R574	119-0000-05	1/10W 0 ohm JW	R625	117-1001-15	1/8W 10 ohm
R519	119-1031-15	1/10W 10k ohm	R575	116-1531-15	1/4W 15k ohm	R626	117-1001-15	1/8W 10 ohm
R520	119-1031-15	1/10W 10k ohm	R576	119-0000-05	1/10W 0 ohm JW	R627	119-1531-15	1/10W 15k ohm
R521	119-1031-15	1/10W 10k ohm	R577	119-1031-15	1/10W 10k ohm	R628	119-2231-15	1/10W 22k ohm
R522	119-1031-15	1/10W 10k ohm	R578	119-0000-05	1/10W 0 ohm JW	R629	119-5631-15	1/10W 56k ohm
R523	119-1031-15	1/10W 10k ohm	R579	119-1031-15	1/10W 10k ohm	R630	119-5631-15	1/10W 56k ohm
R524	119-4731-15	1/10W 47k ohm	R580	119-5611-15	1/10W 560 ohm	R631	119-1031-15	1/10W 10k ohm
R526	119-1031-15	1/10W 10k ohm	R581	116-4791-15	1/4W 4.7 ohm	R632	119-1031-15	1/10W 10k ohm
R527	032-0148-63	1/10W 130k ohm D	R582	116-4791-15	1/4W 4.7 ohm	R633	119-2231-15	1/10W 22k ohm
R528	032-0148-64	1/10W 390k ohm D	R583	119-2231-15	1/10W 22k ohm	R634	117-1001-15	1/8W 10 ohm
R529	119-1031-15	1/10W 10k ohm	R584	119-3321-15	1/10W 3.3k ohm	R635	117-1001-15	1/8W 10 ohm
R530	119-1031-15	1/10W 10k ohm	R586	116-8211-15	1/4W 820 ohm	R636	119-2231-15	1/10W 22k ohm
R532	119-1031-15	1/10W 10k ohm	R587	119-1841-15	1/10W 180k ohm	R4001	119-1021-15	1/10W 1k ohm
R533	119-1841-15	1/10W 180k ohm	R588	119-3341-15	1/10W 330k ohm	R4004	119-1021-15	1/10W 1k ohm
R535	116-6811-15	1/4W 680 ohm	R591	119-0000-05	1/10W 0 ohm JW	R4005	119-1021-15	1/10W 1k ohm
R536	119-1031-15	1/10W 10k ohm	R592	119-1021-15	1/10W 1k ohm	SUP102	060-0122-01	DSP-301N
R537	032-0140-51	1/10W 15k ohm F	R593	119-1021-15	1/10W 1k ohm	TH101	002-0229-00	PTH8L05BAIR8M1B
R547	119-4721-15	1/10W 4.7k ohm	R603	119-3321-15	1/10W 3.3k ohm	TM101	073-0762-90	TERMINAL
R548	119-4721-15	1/10W 4.7k ohm	R604	119-2231-15	1/10W 22k ohm	TM502	073-0762-90	TERMINAL
R555	116-3911-15	1/4W 390 ohm	R605	119-1531-15	1/10W 15k ohm	X301	061-3537-90	41.6MHz
R556	119-1521-15	1/10W 1.5k ohm	R606	117-1001-15	1/8W 10 ohm	X401	061-3567-90	8.000MHz AT-41CD2
R557	116-1221-15	1/4W 1.2k ohm	R607	117-1001-15	1/8W 10 ohm	PWB	039-3308-00	PWB(WITHOUT COMPONENT)
R558	119-1031-15	1/10W 10k ohm	R608	119-1531-15	1/10W 15k ohm			
R559	116-1221-15	1/4W 1.2k ohm	R609	119-2231-15	1/10W 22k ohm			
R560	119-1031-15	1/10W 10k ohm	R610	119-3321-15	1/10W 3.3k ohm			

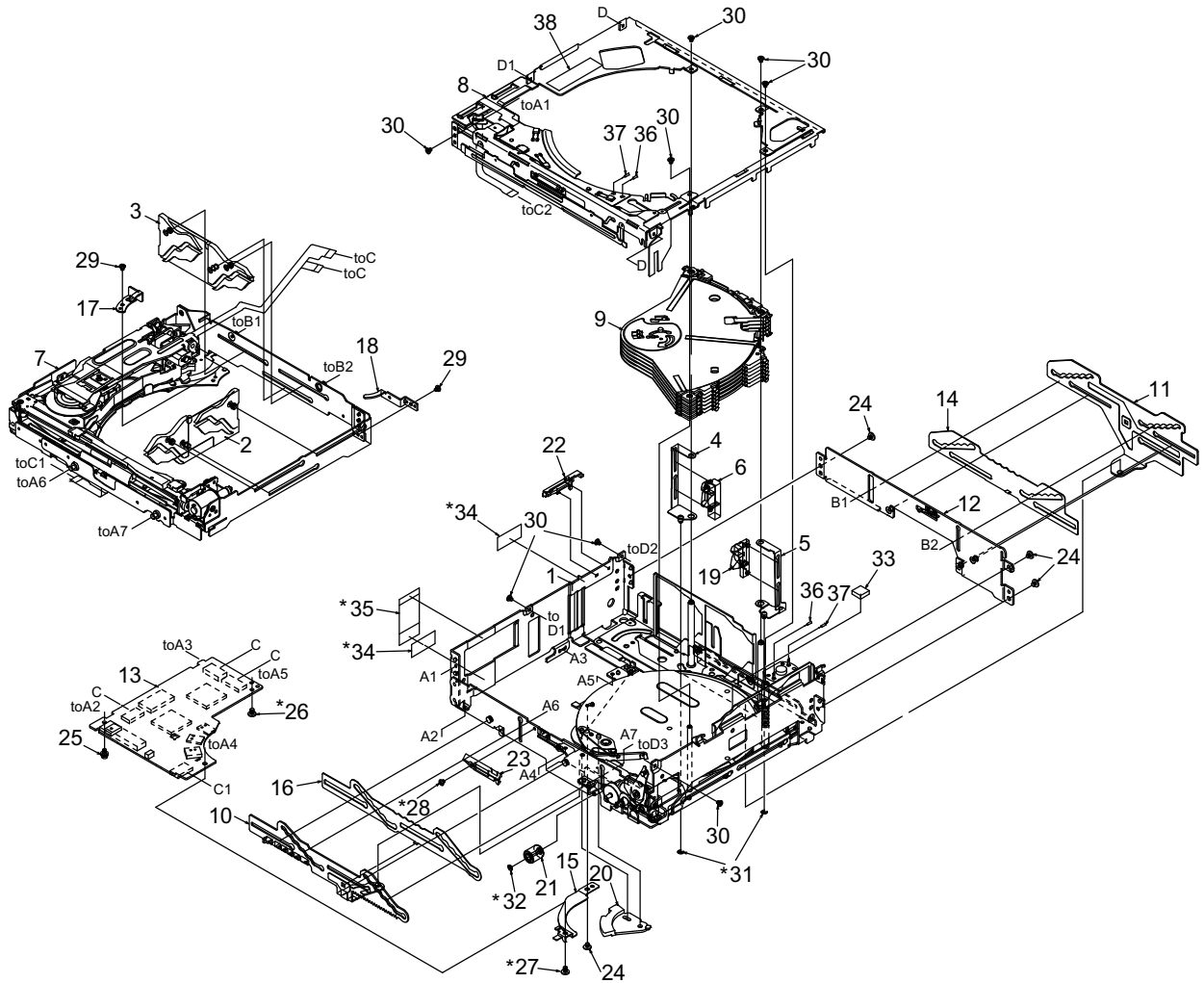
Switch PWB(B2) section

REF No.	PART No.	DESCRIPTION	REF No.	PART No.	DESCRIPTION	REF No.	PART No.	DESCRIPTION
ANT902	060-8094-50	YMA1250-S100706	D712	001-7109-90	SML-311DTT86 ORG	D742	001-7123-90	LOT67F-VIAA-23
C701	043-0554-90	25V 10uF	D713	001-7109-90	SML-311DTT86 ORG	D743	001-7123-90	LOT67F-VIAA-23
C702	043-0554-90	25V 10uF	D714	001-7109-90	SML-311DTT86 ORG	D744	001-7123-90	LOT67F-VIAA-23
C703	168-1042-78	16V 0.1uF K	D715	001-7109-90	SML-311DTT86 ORG	D745	001-7123-90	LOT67F-VIAA-23
C704	168-1042-78	16V 0.1uF K	D716	001-7109-90	SML-311DTT86 ORG	D746	001-7123-90	LOT67F-VIAA-23
C705	043-0554-90	25V 10uF	D717	001-7109-90	SML-311DTT86 ORG	D747	001-7123-90	LOT67F-VIAA-23
C901	168-1042-78	16V 0.1uF K	D718	001-7109-90	SML-311DTT86 ORG	D748	001-7123-90	LOT67F-VIAA-23
C902	166-1011-50	100pF CH	D719	001-7109-90	SML-311DTT86 ORG	D749	001-7123-90	LOT67F-VIAA-23
C903	168-1042-78	16V 0.1uF K	D720	001-7109-90	SML-311DTT86 ORG	D750	001-7123-90	LOT67F-VIAA-23
C904	166-1011-50	100pF CH	D721	001-7109-90	SML-311DTT86 ORG	D751	001-7123-90	LOT67F-VIAA-23
C905	166-1011-50	100pF CH	D722	001-7109-90	SML-311DTT86 ORG	D771	001-9210-50	AVR-M1608C270M TAAD
C906	042-0423-97	16V 10uF	D723	001-7109-90	SML-311DTT86 ORG	D772	001-9210-50	AVR-M1608C270M TAAD
C907	168-1042-78	16V 0.1uF K	D724	001-7109-90	SML-311DTT86 ORG	D773	001-9210-50	AVR-M1608C270M TAAD
C908	168-1042-78	16V 0.1uF K	D725	001-7109-90	SML-311DTT86 ORG	D774	001-9210-50	AVR-M1608C270M TAAD
C909	166-3311-50	330pF CH	D726	001-7109-90	SML-311DTT86 ORG	D775	001-9210-50	AVR-M1608C270M TAAD
C910	166-2201-50	22pF CH	D727	001-7109-90	SML-311DTT86 ORG	D776	001-9210-50	AVR-M1608C270M TAAD
D701	001-9210-50	AVR-M1608C270M TAAD	D728	001-7109-90	SML-311DTT86 ORG	D777	001-9210-50	AVR-M1608C270M TAAD
D702	001-9210-50	AVR-M1608C270M TAAD	D729	001-7109-90	SML-311DTT86 ORG	D778	001-9210-50	AVR-M1608C270M TAAD
D703	001-9210-50	AVR-M1608C270M TAAD	D730	001-7109-90	SML-311DTT86 ORG	IC701	051-6057-00	ML9090A-01GA
D704	001-4320-50	EDZC6.8B	D731	001-7109-90	SML-311DTT86 ORG	IC901	060-8095-90	UGZZ5-616A
D705	001-7109-90	SML-311DTT86 ORG	D732	001-7109-90	SML-311DTT86 ORG	J701	075-9024-00	MINI-JACK
D706	001-7109-90	SML-311DTT86 ORG	D733	001-7109-90	SML-311DTT86 ORG	J702	074-3033-26	26P
D707	001-7109-90	SML-311DTT86 ORG	D734	001-7109-90	SML-311DTT86 ORG			
D708	001-7109-90	SML-311DTT86 ORG	D735	001-7109-90	SML-311DTT86 ORG			
D709	001-7109-90	SML-311DTT86 ORG	D736	001-7109-90	SML-311DTT86 ORG			
D710	001-7109-90	SML-311DTT86 ORG	D737	001-7109-90	SML-311DTT86 ORG			
D711	001-7109-90	SML-311DTT86 ORG	D738	001-7109-90	SML-311DTT86 ORG			
			D739	001-7109-90	SML-311DTT86 ORG			
			D740	001-7109-90	SML-311DTT86 ORG			
			D741	001-7109-90	SML-311DTT86 ORG			

REF No.	PART No.	DESCRIPTION	REF No.	PART No.	DESCRIPTION	REF No.	PART No.	DESCRIPTION
J901	074-3033-16	SOCKET(16P)	R716	116-1821-15	1/4W 1.8k ohm	R918	119-1011-15	1/10W 100 ohm
L901	010-3104-54	600 ohm/100MHz	R717	116-1821-15	1/4W 1.8k ohm	R919	119-1011-15	1/10W 100 ohm
L902	010-3104-54	600 ohm/100MHz	R718	116-1821-15	1/4W 1.8k ohm	S701	013-6202-52	SKPMBJE010
L903	010-3104-54	600 ohm/100MHz	R719	116-1821-15	1/4W 1.8k ohm	S702	013-6202-52	SKPMBJE010
L904	010-3104-54	600 ohm/100MHz	R720	116-2221-15	1/4W 2.2k ohm	S703	013-6202-52	SKPMBJE010
L906	010-3104-54	600 ohm/100MHz	R721	116-2221-15	1/4W 2.2k ohm	S704	013-6202-52	SKPMBJE010
L907	010-3104-54	600 ohm/100MHz	R722	116-2221-15	1/4W 2.2k ohm	S705	013-6202-52	SKPMBJE010
L909	010-3104-54	600 ohm/100MHz	R723	116-3311-15	1/4W 330 ohm	S706	013-6202-52	SKPMBJE010
L910	010-3104-54	600 ohm/100MHz	R724	116-8211-15	1/4W 820 ohm	S707	013-6202-52	SKPMBJE010
L911	010-3104-54	600 ohm/100MHz	R725	116-8211-15	1/4W 820 ohm	S708	013-6202-52	SKPMBJE010
L912	010-3104-54	600 ohm/100MHz	R726	116-8211-15	1/4W 820 ohm	S709	013-6202-52	SKPMBJE010
LCD701	379-1421-51	INDICATOR(LCD)	R727	116-8211-15	1/4W 820 ohm	S710	013-6202-52	SKPMBJE010
Q702	192-2712-51	2SC2712 G,L	R728	116-8211-15	1/4W 820 ohm	S711	013-6202-52	SKPMBJE010
Q703	190-1162-00	2SA1162	R729	116-8211-15	1/4W 820 ohm	S712	013-6202-52	SKPMBJE010
R701	032-0140-00	1/10W 56k ohm F	R730	116-8211-15	1/4W 820 ohm	S713	013-6202-52	SKPMBJE010
R702	032-0140-53	1/10W 2.2k ohm F	R731	116-8211-15	1/4W 820 ohm	S714	013-6202-52	SKPMBJE010
R703	032-0140-53	1/10W 2.2k ohm F	R732	116-8211-15	1/4W 820 ohm	S715	013-6202-52	SKPMBJE010
R704	119-4731-15	1/10W 47k ohm	R733	116-8211-15	1/4W 820 ohm	S716	013-6201-53	SKPMAPE010
R705	116-1821-15	1/4W 1.8k ohm	R734	119-4731-15	1/10W 47k ohm	S717	013-6201-53	SKPMAPE010
R706	116-1821-15	1/4W 1.8k ohm	R736	119-0000-05	1/10W 0 ohm JW	S718	013-6202-52	SKPMBJE010
R707	116-1821-15	1/4W 1.8k ohm	R740	119-2221-15	1/10W 2.2k ohm	S719	013-6202-52	SKPMBJE010
R708	116-1821-15	1/4W 1.8k ohm	R900	119-0000-05	1/10W 0 ohm JW	S720	013-6201-53	SKPMAPE010
R709	116-1821-15	1/4W 1.8k ohm	R901	119-0000-05	1/10W 0 ohm JW	S721	013-6201-53	SKPMAPE010
R710	116-1821-15	1/4W 1.8k ohm	R902	119-0000-05	1/10W 0 ohm JW	S722	013-6202-52	SKPMBJE010
R711	116-1821-15	1/4W 1.8k ohm	R905	119-2711-15	1/10W 270 ohm	S723	013-6202-52	SKPMBJE010
R712	116-1821-15	1/4W 1.8k ohm	R909	119-1031-15	1/10W 10k ohm	TM706	073-0778-90	TERMINAL
R713	116-2221-15	1/4W 2.2k ohm	R914	119-5631-15	1/10W 56k ohm	VR701	016-0018-23	ROTALY ENCODER
R714	116-1821-15	1/4W 1.8k ohm	R916	119-1031-15	1/10W 10k ohm	PWB	039-3309-00	PWB(WITHOUT COMPONENT)
R715	116-2221-15	1/4W 2.2k ohm	R917	119-2711-15	1/10W 270 ohm			

EXPLODED VIEW/PARTS LIST

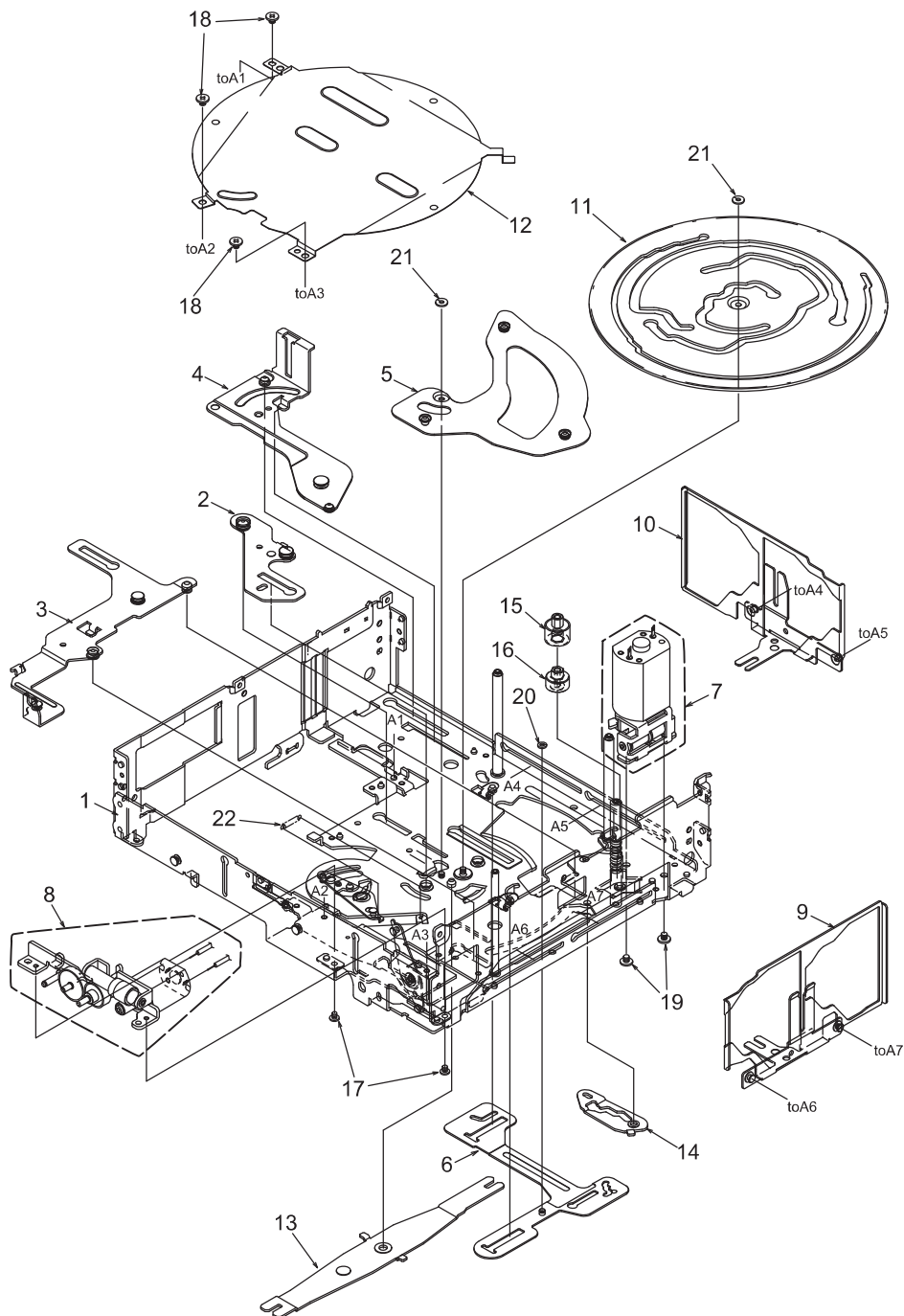
Main section



* Do not reuse the following parts.
(No.26,27,28,32,31,34,35)

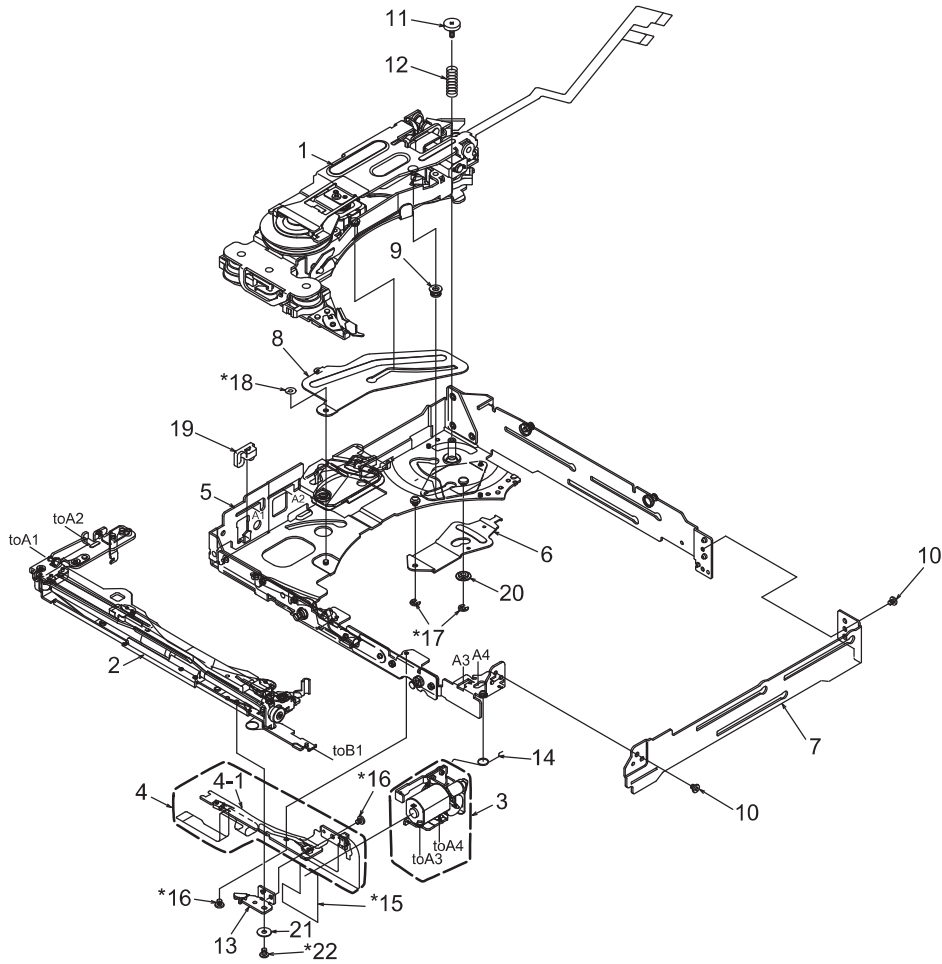
NO.	PART NO.	DESCRIPTION	Q'TY	NO.	PART NO.	DESCRIPTION	Q'TY
1	-----	LOWER UNIT ASSY	1	20	621-1812-20	SW LINK	1
2	HBS-617-100	KUSABI-ASSY-S	1	21	621-1765-20	UD-GEAR-D	1
3	HBS-618-100	KUSABI-ASSY-R	1	22	621-1715-20	FPC-STOPPER	1
4	966-1846-20	DS-SP-ASSY L	1	23	621-1763-20	LOADING GUIDE-B	1
5	966-1847-21	DS-SP ASSY R	1	24	716-1850-01	SCREW(M2.0x2)	4
6	966-1898-21	DISC STP-ASSY L	1	25	716-3598-00	SCREW(M2.0x4)	1
7	966-1899-20	DRIVE-CH UNIT	1	26	716-3599-00	SCREW(M2.0x2 sealock)	1
8	966-1840-23	UPPER UNIT ASSY	1	27	716-3600-00	SCREW(M2.0x3 sealock)	1
9	HBS-602-100	DISCHOLDER UNIT	1	28	716-3601-00	SCREW(M1.7x2 sealock)	1
10	966-1771-21	SLIDE-P-ASSY	1	29	716-3450-00	SCREW(M1.7x2.0)	2
11	966-1814-21	SLIDE-P-ASSY-R	1	30	716-3451-01	SCREW(M1.7x2.5)	8
12	966-1874-20	REAR-P-ASSY R	1	31	744-0045-01	C-RING	2
13	HBS-658-100	CD PWB ASSY	1	32	746-0761-00	WASHER	1
14	620-1662-21	GAP PLATE R	1	33	345-5824-00	RUBBER PART	1
15	620-1640-20	SW-H-PLATE	1	34	347-8230-00	PROTECT SHEET	2
16	620-1778-21	GAP PLATE F	1	35	347-8219-00	FPC-SHEET N	1
17	620-1685-21	DS-PLATE L	1	36	800-4921-60	VINYL-COAT-WIRE	1
18	620-1686-20	DS-PLATE R	1	37	802-4921-60	VINYL-COAT-WIRE	1
19	621-1819-20	DISC STOPPER R	1	38	293-8575-00	MECH LABEL	1

Lower unit assy section



NO.	PART NO.	DESCRIPTION	Q'TY	NO.	PART NO.	DESCRIPTION	Q'TY
1	966-1834-24	LOWER-C-ASSY	1	12	620-1624-24	GEAR COVER	1
2	966-0658-22	DH-SP-ASSY	1	13	620-1848-21	UD LINK	1
3	966-1836-22	TATSU-P-ASSY	1	14	620-1869-20	DS-SHIFT LINK	1
4	966-1832-20	D-SHT PL-B-ASSY	1	15	621-1811-21	M-GEAR B	1
5	966-0659-22	DH-SP-ASSY B	1	16	621-0733-20	M-GEAR C	1
6	966-1835-24	DS-SP-ASSY	1	17	716-3451-01	SCREW(M1.7x2.5)	2
7	HBS-622-100	M-MTR SUB ASSY	1	18	716-1850-01	SCREW(M2.0x2.0)	3
8	HBS-616-100	UD-MOTOR-ASSY	1	19	716-1851-03	SCREW(M2.0x3.0)	2
9	966-1872-20	INITIAL ASSY S	1	20	746-0870-00	WASHER	1
10	966-1873-20	INITIAL ASSY R	1	21	746-0768-00	WASHER	2
11	620-1623-24	CAM GEAR	1	22	750-6756-21	SW-L-SPRING	1

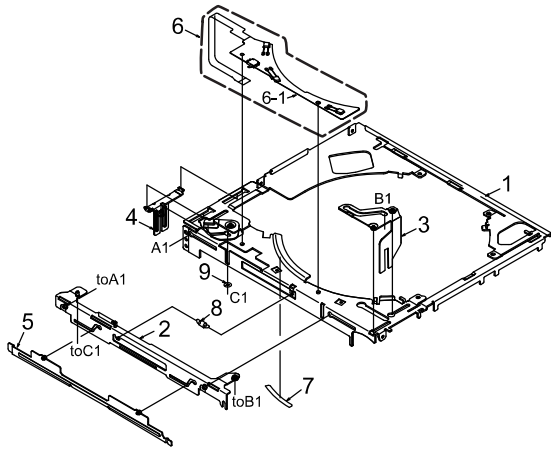
Drive-CH unit section



* Do not reuse the following parts.
(No.15,16,17,18,22)

NO.	PART NO.	DESCRIPTION	Q'TY	NO.	PART NO.	DESCRIPTION	Q'TY
1	HBS-656-100	N-DRIVE UNIT	1	12	750-6852-20	DRIVE SPRING A	1
2	HBS-612-100	LOADING-U-ASSY	1	13	620-1831-21	S-PWB PLATE	1
3	HBS-615-100	LO-MOTOR-S-ASSY	1	14	750-6754-20	LO-ES-SPRING B	1
4	HBS-614-100	L-SEN-FPC-ASSY	1	15	345-5424-01	SEN-FPC GUIDE	1
4-1	-----	SENSOR-L-FPC	1	16	716-3601-00	SCREW(M1.7x2 sealock)	2
5	966-1828-22	DRIVE-CH A-ASSY	1	17	743-1500-1B	E-RING	2
6	620-1838-21	D-SHIFT LINK A	1	18	746-0870-00	WASHER	1
7	620-1837-20	DRIVE CHASSIS B	1	19	621-1807-00	RUBBER PART	1
8	620-1836-20	DR-SUPPORT-PL	1	20	622-1850-20	D-SHIFT ROLLERE	1
9	622-1743-21	D-SHIFT ROLLERB	1	21	347-8392-00	FPC WASHER	1
10	716-3450-00	SCREW(M1.7x2)	2	22	716-3451-02	SCREW(M1.7x2.5 sealock)	1
11	716-3603-00	SCREW(M1.7x5)	1				

Upper unit assy section



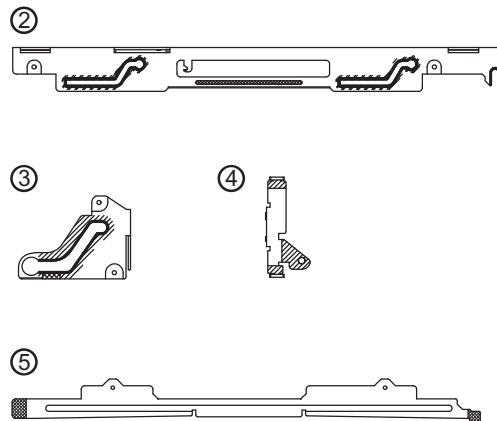
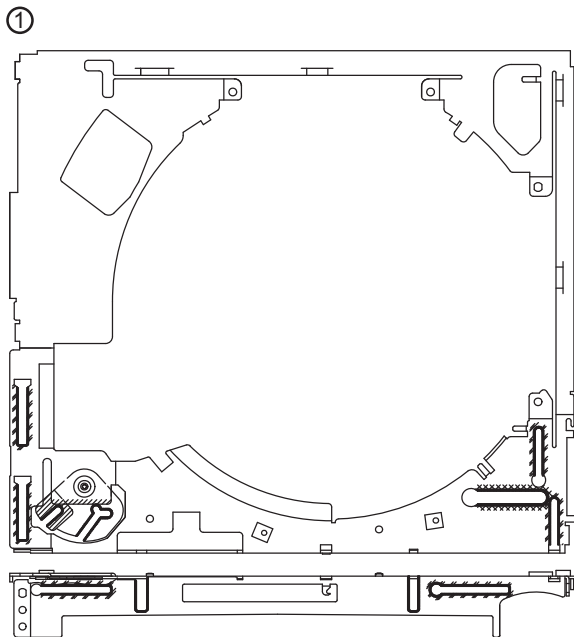
* Do not reuse the following parts.
(No.6,7,9)

NO.	PART NO.	DESCRIPTION	Q'TY
1	966-1823-21	UPPER-CHA-ASSY	1
2	966-1824-20	LO-SHIFT A ASSY	1
3	966-1791-20	LO-SHIFT B ASSY	1
4	966-1825-20	LO-SHIFT C ASSY	1
5	966-1826-20	SHUTTER ASSY	1
6	HBS-613-100	U-SEN-FPC-ASSY	1
6-1	-----	SENSOR-U-FPC	1
7	347-8216-00	RATTLE SHEET	1
8	750-6850-21	SHUTTER SPRING	1
9	746-0870-00	WASHER	1

[Grease Point]

* Grease : SANKOL FG-87HSR

	Put grease on the surface	
	Put grease on the reverse side	
	Put grease on the both sides	
	Put grease on the edge	



ELECTRICAL PARTS LIST

CD PWB(BM1) section

* The parts of the same reference number are alternative

REF No.	PART No.	DESCRIPTION	REF No.	PART No.	DESCRIPTION	REF No.	PART No.	DESCRIPTION
C1	168-1052-78	16V 1uF K	C75	168-1042-78	16V 0.1uF K	R14	119-2231-15	1/10W 22k ohm
C3	168-1042-78	16V 0.1uF K	C76	168-5622-55	5600pF K	R15	119-8231-15	1/10W 82k ohm
C4	043-0559-90	6.3V 22uF	C77	168-1032-55	0.01uF K	R16	119-1041-15	1/10W 100k ohm
C5	168-1032-55	0.01uF K	C79	166-1501-50	15pF CH	R17	119-1041-15	1/10W 100k ohm
C6	042-1702-90	6.3V 100uF	C80	166-1501-50	15pF CH	R18	119-1041-15	1/10W 100k ohm
C7	168-1052-78	16V 1uF K	C81	168-3332-78	0.033uF K	R19	119-1041-15	1/10W 100k ohm
C9	168-1052-78	16V 1uF K	C101	043-0563-90	16V 47uF	R20	119-1041-15	1/10W 100k ohm
C11	168-1052-78	16V 1uF K	CCT1	050-0145-59	1/16W 22 ohm x4	R21	119-2221-15	1/10W 2.2k ohm
C12	042-0671-01	10V 47uF TA	CCT2	050-0145-54	1/16W 47k ohm x4	R22	119-4711-15	1/10W 470 ohm
C13	168-1052-78	16V 1uF K	CCT3	050-0145-54	1/16W 47k ohm x4	R23	119-1051-15	1/10W 1M ohm
C14	168-1042-78	16V 0.1uF K	CCT4	050-0145-55	1/16W 10k ohm x4	R24	119-2211-15	1/10W 220 ohm
C15	168-1052-78	16V 1uF K	CCT5	050-0140-55	1/32W 2.2k ohmx4J	R25	119-2211-15	1/10W 220 ohm
C16	043-0559-90	6.3V 22uF	D1	001-4301-14	HZU 3.0B1	R26	119-1041-15	1/10W 100k ohm
C17	168-1032-55	0.01uF K	D1	001-0529-14	MA8030-L	R28	119-1041-15	1/10W 100k ohm
C18	168-1052-78	16V 1uF K	D2	001-0367-91	1SS226	R29	119-1041-15	1/10W 100k ohm
C19	043-0559-90	6.3V 22uF	D3	001-4301-13	HZU 2.7B2	R30	119-4701-15	1/10W 47 ohm
C20	168-1042-78	16V 0.1uF K	D3	001-0529-13	MA8027-H-TX	R31	119-2201-15	1/10W 22 ohm
C21	168-1032-55	0.01uF K	D4	001-4301-18	HZU 3.6B1	R33	119-2211-15	1/10W 220 ohm
C23	043-0559-90	6.3V 22uF	D4	001-0529-18	MA8036-L	R35	119-1051-15	1/10W 1M ohm
C24	043-0559-90	6.3V 22uF	D5	001-2612-90	RB520S-30	R36	119-4721-15	1/10W 4.7k ohm
C25	168-4732-78	0.047uF K	D6	001-2612-90	RB520S-30	R37	119-4731-15	1/10W 47k ohm
C26	166-4711-50	470pF CH	D7	001-9210-50	AVR-M1608C270M	R38	119-2231-15	1/10W 22k ohm
C28	168-4732-78	0.047uF K			TAAD	R39	119-1041-15	1/10W 100k ohm
C29	166-4711-50	470pF CH	D8	001-9210-50	AVR-M1608C270M	R40	119-4721-15	1/10W 4.7k ohm
C30	166-1007-50	10pF CH			TAAD	R41	119-4731-15	1/10W 47k ohm
C31	166-1007-50	10pF CH	IC2	052-5071-32	TMP91CY22IFG-7B	R43	119-4731-15	1/10W 47k ohm
C32	168-1042-78	16V 0.1uF K			H6	R44	119-2201-15	1/10W 22 ohm
C33	168-2222-55	2200pF K	IC3	051-6733-30	TC94A70FG-010	R45	119-1511-15	1/10W 150 ohm
C34	168-1042-78	16V 0.1uF K	IC4	051-6060-08	BD7961FM-E2	R46	119-4721-15	1/10W 4.7k ohm
C35	168-1042-78	16V 0.1uF K	IC5	051-5445-08	BD5227G-TR	R48	119-1041-15	1/10W 100k ohm
C36	168-1042-78	16V 0.1uF K	IC8	051-9402-78	BR93L56RFVM-W	R49	119-0000-05	1/10W 0 ohm JW
C37	168-6822-55	6800pF K	IC9	051-6072-08	BD7931FE2	R50	119-2211-15	1/10W 220 ohm
C39	168-1042-78	16V 0.1uF K	IC10	051-5833-00	GP1S093HCZ	R51	119-0000-05	1/10W 0 ohm JW
C40	168-3332-78	0.033uF K	IC11	051-3392-90	S-1323B15NB-N8	R52	119-1041-15	1/10W 100k ohm
C41	168-1042-78	16V 0.1uF K			ATFG	R53	119-5621-15	1/10W 5.6k ohm
C42	168-1042-78	16V 0.1uF K	J1	074-1237-69	19P	R55	119-3341-15	1/10W 330k ohm
C43	168-1042-78	16V 0.1uF K	J2	074-1201-65	15P	R56	119-4731-15	1/10W 47k ohm
C45	168-1042-78	16V 0.1uF K	J3	074-1138-56	6P	R57	119-2231-15	1/10W 22k ohm
C46	168-1042-78	16V 0.1uF K	J4	074-1100-61	11P	R58	119-0000-05	1/10W 0 ohm JW
C48	168-1042-78	16V 0.1uF K	J5	074-1201-61	11P	R59	119-1511-15	1/10W 150 ohm
C49	168-1042-78	16V 0.1uF K	Q2	125-0021-91	DTA114EUA	R60	119-4731-15	1/10W 47k ohm
C50	168-1042-78	16V 0.1uF K	Q3	198-3018-00	2SK3018	R61	119-1041-15	1/10W 100k ohm
C51	168-1042-78	16V 0.1uF K	Q4	190-2060-00	2SA2060	R62	119-1041-15	1/10W 100k ohm
C52	168-5622-55	5600pF K	Q8	190-2060-00	2SA2060	R63	119-1041-15	1/10W 100k ohm
C53	168-1042-78	16V 0.1uF K	Q9	125-9026-90	IMF29	R64	119-1011-15	1/10W 100 ohm
C54	166-6801-50	68pF CH	Q10	125-2027-91	DTC114EUA	R65	119-1041-15	1/10W 100k ohm
C55	168-1532-55	0.015uF K	Q11	125-0021-91	DTA114EUA	R66	117-5611-15	1/8W 560 ohm
C56	168-1042-78	16V 0.1uF K	Q12	125-2027-91	DTC114EUA	R67	117-7511-15	1/8W 750 ohm
C57	168-1032-55	0.01uF K	Q13	125-9026-90	IMF29	R68	117-7511-15	1/8W 750 ohm
C58	168-1042-78	16V 0.1uF K	R1	119-6811-15	1/10W 680 ohm	R69	119-1041-15	1/10W 100k ohm
C59	168-1042-78	16V 0.1uF K	R2	119-6811-15	1/10W 680 ohm	R81	116-1591-15	1/4W 1.5 ohm
C60	168-1522-55	1500pF K	R3	032-0163-91	1/2W 10 ohm	R201	119-0000-05	1/10W 0 ohm JW
C61	168-3322-55	3300pF K	R4	032-0163-91	1/2W 10 ohm	R212	119-1041-15	1/10W 100k ohm
C62	168-1032-55	0.01uF K	R5	119-2231-15	1/10W 22k ohm	S1	013-7416-50	SPVL110200
C64	168-1042-78	16V 0.1uF K	R6	116-1001-15	1/4W 10 ohm	S2	013-7416-50	SPVL110200
C65	168-1032-55	0.01uF K	R7	119-1021-15	1/10W 1k ohm	S3	013-7412-50	SPVG21
C67	168-1032-55	0.01uF K	R8	116-1591-15	1/4W 1.5 ohm	S4	013-7415-50	SPVG110400
C69	168-1532-55	0.015uF K	R9	119-2231-15	1/10W 22k ohm	X1	061-3534-90	16.92MHz
C70	166-4701-50	47pF CH	R10	119-4711-15	1/10W 470 ohm	X3	060-1545-90	20MHz
C71	168-1042-78	16V 0.1uF K	R11	119-2211-15	1/10W 220 ohm	PWB	039-3026-20	PWB(WITHOUT COMPONENT)
C72	168-1042-78	16V 0.1uF K	R12	119-6811-15	1/10W 680 ohm			
C74	166-6097-50	6pF CH	R13	119-1011-15	1/10W 100 ohm			

Sensor-L-PFC(BM2) section

REF No.	PART No.	DESCRIPTION	REF No.	PART No.	DESCRIPTION	REF No.	PART No.	DESCRIPTION
PT1	060-0252-01	PT14850F	PT3	051-5833-00	GP1S093HCZ	PWB	039-3003-20	PWB(WITHOUT COMPONENTS)
PT2	060-0252-01	PT14850F						

Sensor-U-PFC(BM3) section

REF No.	PART No.	DESCRIPTION	REF No.	PART No.	DESCRIPTION	REF No.	PART No.	DESCRIPTION
LED1	001-7077-00	GL4804	LED3	001-7042-00	GL4800	PWB	039-3004-20	PWB(WITHOUT COMPONENTS)
LED2	001-7042-00	GL4800	S5	013-7417-50	ABC1122P161			