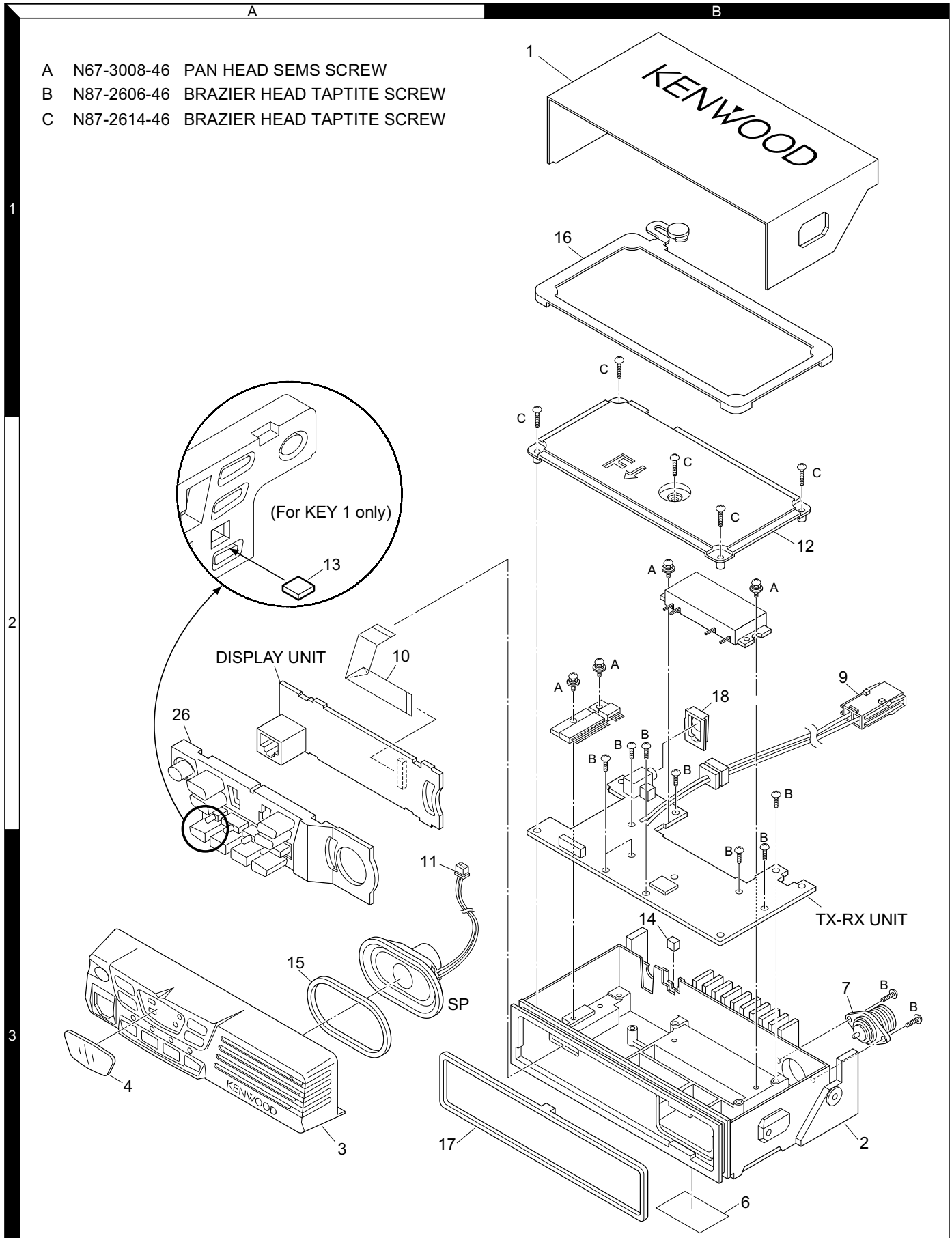
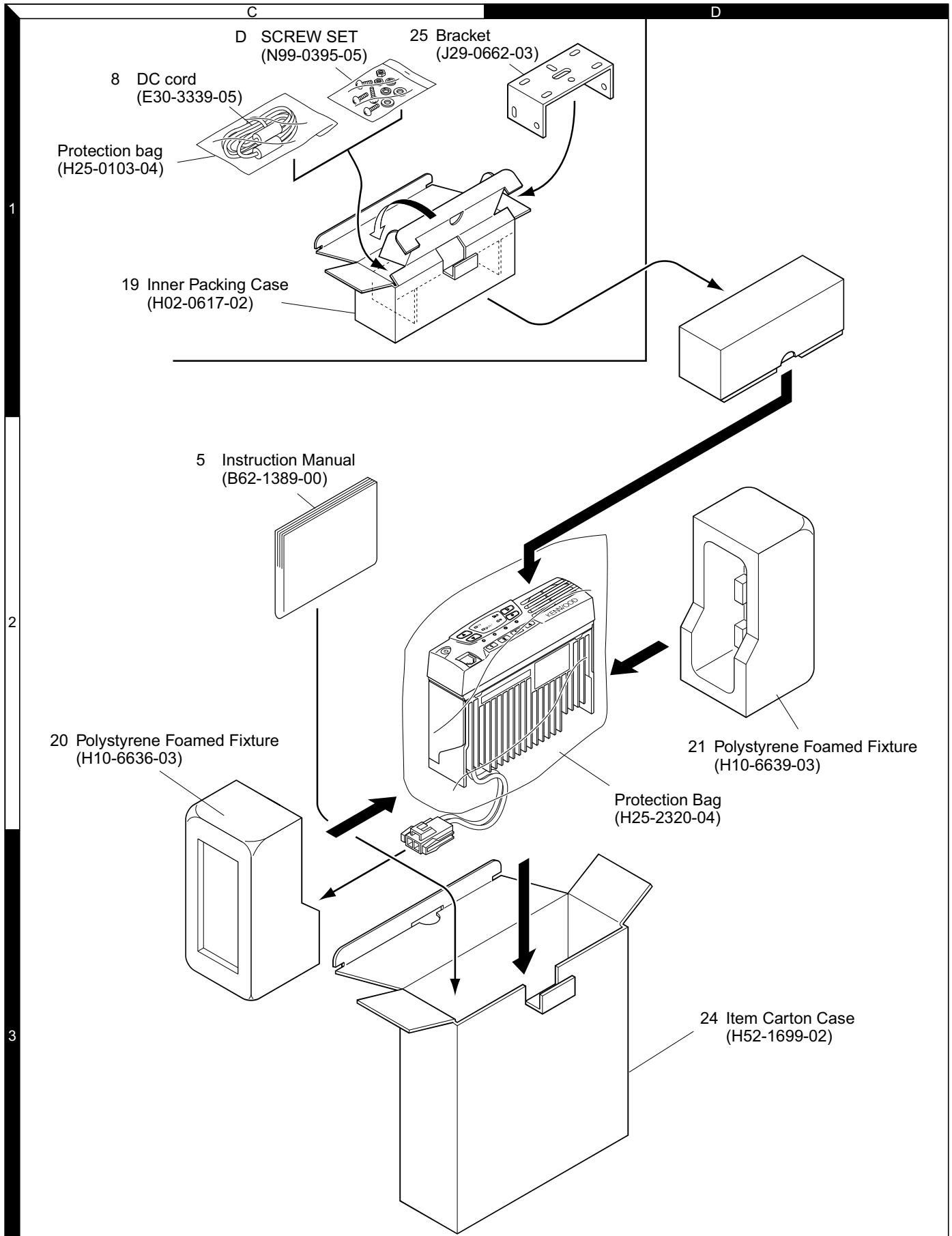


EXPLODED VIEW

- A N67-3008-46 PAN HEAD SEMS SCREW
- B N87-2606-46 BRAZIER HEAD TAPTITE SCREW
- C N87-2614-46 BRAZIER HEAD TAPTITE SCREW



PACKING



Parts with the exploded numbers larger than 700 are not supplied.

PARTS LIST

* New Parts. Δ indicates safety critical components.
 Parts without **Parts No.** are not supplied.
 Les articles non mentionnes dans le **Parts No.** ne sont pas fournis.
 Teile ohne **Parts No.** werden nicht geliefert.

TK-7102

TX-RX UNIT (X57-6290-20)

Ref. No.	Address	New parts	Parts No.	Description	Destination	Ref. No.	Address	New parts	Parts No.	Description	Destination
TK-7102						TX-RX UNIT (X57-6290-20)					
1	1B	*	A01-2178-02	CABINET		C12			CC73GB1H102K	CHIP C 1000PF	K
2	3B	*	A10-4047-01	CHASSIS		C14			C92-0560-05	CHIP-TAN 10UF	6.3WV
3	3A	*	A62-0942-03	PANEL ASSY		C22			CK73GB1H102K	CHIP C 1000PF	K
4	3A	*	B10-2668-03	FRONT GLASS		C24			CK73GB1H103K	CHIP C 0.010UF	K
5	2C	*	B62-1389-00	INSTRUCTION MANUAL		C25			CC73GCH1H220J	CHIP C 22PF	J
6	3B	*	B72-1871-04	MODEL NAME PLATE		C26			CK73GB1C104K	CHIP C 0.10UF	K
7	3B		E04-0167-05	RF COAXIAL PECEPTACLE(M)		C27			C92-0560-05	CHIP-TAN 10UF	6.3WV
8	1C		E30-3339-05	DC CORD ACCESSORY		C28			CK73GB1H102K	CHIP C 1000PF	K
9	2B	*	E30-3448-05	DC CORD(RADIO)		C29,30			CK73GB1C104K	CHIP C 0.10UF	K
10	2A	*	E37-0961-05	FLAT CABLE(TX/RX-KEY)		C31,32			C92-0507-05	CHIP-TAN 4.7UF	6.3WV
11	3A	*	E37-0962-05	SPEAKER CABLE		C34			CK73GB1C104K	CHIP C 0.10UF	K
12	2B	*	F10-2405-12	SHIELDING COVER(UPPER)		C35			C92-0560-05	CHIP-TAN 10UF	6.3WV
			F51-0016-05	FUSE(6*30)		C36			CK73GB1H103K	CHIP C 0.010UF	K
13		*	G11-4065-04	SHEET(KEY TOP)		C37			CK73GB1C104K	CHIP C 0.10UF	K
14	3B		G13-1468-04	CUSHION(DC CORD)		C40			C92-0514-05	CHIP-TAN 2.2UF	10WV
15	3A	*	G13-1836-04	CUSHION(SPEAKER)		C42			CK73GB1H102K	CHIP C 1000PF	K
16	1B	*	G53-1524-02	PACKING		C44			CK73GB1C273K	CHIP C 0.027UF	K
17	3B	*	G53-1525-03	PACKING(PANEL)		C45			CK73GB1H102K	CHIP C 1000PF	K
18	2B	*	G53-1542-03	PACKING(PHONE JACK)		C48			CK73GB1H102K	CHIP C 1000PF	K
19	1C	*	H02-0617-02	INNER PACKING CASE		C49			CK73GB1H471K	CHIP C 470PF	K
20	3D	*	H10-6636-03	POLYSTYRENE FOAMED FIXTURE(R)		C50			CK73GB1C223K	CHIP C 0.022UF	K
21	3C	*	H10-6639-03	POLYSTYRENE FOAMED FIXTURE(L)		C51			CK73GB1C104K	CHIP C 0.10UF	K
		*	H25-0103-04	PROTECTION BAG		C52			C92-0507-05	CHIP-TAN 4.7UF	6.3WV
		*	H25-2320-04	PROTECTION BAG		C53			CK73GB1C104K	CHIP C 0.10UF	K
24	3D	*	H52-1699-02	ITEM CARTON CASE		C54			C92-0560-05	CHIP-TAN 10UF	6.3WV
25	1D		J29-0662-03	BRACKET ACCESSORY		C55			CK73GB1H102K	CHIP C 1000PF	K
26	2A	*	K29-9065-01	KEY TOP		C56			C92-0555-05	CHIP-TAN 0.047UF	35WV
A	2B		N67-3008-46	PAN HEAD SEMS SCREW		C58			CK73GB1H122K	CHIP C 1200PF	K
B	2B		N87-2606-46	BRAZIER HEAD TAPTITE SCREW		C59			CK73GB1E103K	CHIP C 0.010UF	K
C	2B		N87-2614-46	BRAZIER HEAD TAPTITE SCREW		C60			C92-0004-05	CHIP-TAN 1.0UF	16WV
D	1C		N99-0395-05	SCREW SET ACCESSORY		C61			CK73GB1H821K	CHIP C 820PF	K
SP	3A	*	T07-0727-05	SPEAKER		C62			CK73GB1H332K	CHIP C 3300PF	K
DISPLAY UNIT (X54-3340-20)						C63			CK73GB1H472K	CHIP C 4700PF	K
D1-4		*	B30-2238-05	LED(Y)		C64			C92-0560-05	CHIP-TAN 10UF	6.3WV
D5-10		*	B30-2239-05	LED(SY)		C65			C92-0001-05	CHIP-C 0.1UF	35WV
D11		*	B30-2237-05	LED(YG)		C66			CC73GCH1H151J	CHIP C 150PF	J
D12		*	B30-2240-05	LED(SR)		C71			CK73GB1C104K	CHIP C 0.10UF	K
C4			CK73GB1H103K	CHIP C 0.010UF	K	C73			CC73GCH1H080B	CHIP C 8.0PF	B
C8-17			CK73GB1H103K	CHIP C 0.010UF	K	C74			CC73GCH1H270J	CHIP C 27PF	J
CN1		*	E40-6170-05	FLAT CABLE CONNECTOR		C75			CC73GCH1H100C	CHIP C 10PF	C
J1			E08-0877-05	MODULAR JACK		C77			CC73GCH1H0R5B	CHIP C 0.5PF	B
CP3,4		*	RK75GB1J392J	CHIP-COM 3.9K	J 1/16W	C78,79			CK73GB1H471K	CHIP C 470PF	K
R1-6			RK73GB1J102J	CHIP R 1.0K	J 1/16W	C80			CK73GB1H103K	CHIP C 0.010UF	K
R7-15			RK73FB2A272J	CHIP R 2.7K	J 1/10W	C81			CC73GCH1H271J	CHIP C 270PF	J
Q1-8			KRC102S	DIGITAL TRANSISTOR		C82			CK73GB1H471K	CHIP C 470PF	K
Q9			KRA225S	DIGITAL TRANSISTOR		C84			CK73GB1C104K	CHIP C 0.10UF	K
Q10			KRC102S	DIGITAL TRANSISTOR		C85			CC73GCH1H010B	CHIP C 1.0PF	B
						C86			CC73GCH1H2R5B	CHIP C 2.5PF	B
						C87			CC73GCH1H560J	CHIP C 56PF	J
						C88			CK73GB1C104K	CHIP C 0.10UF	K
						C90			CK73GB1H471K	CHIP C 470PF	K

PARTS LIST

TX-RX UNIT (X57-6290-20)

Ref. No.	Address	New parts	Parts No.	Description	Destination	Ref. No.	Address	New parts	Parts No.	Description	Destination
C94			CC73GCH1H101J	CHIP C 100PF J		C180			CK73GB1H103J	CHIP C 0.010UF J	
C95			CC73GCH1H050B	CHIP C 5.0PF B		C182			CK73GB1C104K	CHIP C 0.10UF K	
C97			CC73GCH1H060B	CHIP C 6.0PF B		C184			CK73GB1H102K	CHIP C 1000PF K	
C99,100			CC73GCH1H050B	CHIP C 5.0PF B		C185			CK73GB1H103J	CHIP C 0.010UF J	
C101			CK73GB1H471K	CHIP C 470PF K		C186			CC73GCH1H020B	CHIP C 2.0PF B	
C102			CK73GB1C104K	CHIP C 0.10UF K		C187,188			CK73GB1H102K	CHIP C 1000PF K	
C103			C92-0568-05	CHIP-TAN 22UF 10WV		C191			CK73GB1C473K	CHIP C 0.047UF K	
C104,105			CC73GCH1H0R5B	CHIP C 0.5PF B		C192,193			CK73GB1H103J	CHIP C 0.010UF J	
C106			CC73GCH1H180J	CHIP C 18PF J		C194			CK73GB1H102K	CHIP C 1000PF K	
C107			CC73GCH1H060B	CHIP C 6.0PF B		C196			CK73GB1C333K	CHIP C 0.033UF K	
C108,109			CK73GB1H471K	CHIP C 470PF K		C197			CK73GB1H102K	CHIP C 1000PF K	
C110			CC73GCH1H060B	CHIP C 6.0PF B		C198			CK73GB1C333K	CHIP C 0.033UF K	
C111,112			CC73GCH1H331J	CHIP C 330PF J		C199			CC73GCH1H080B	CHIP C 8.0PF B	
C113			CK73GB1H102K	CHIP C 1000PF K		C200,201			CK73GB1H102K	CHIP C 1000PF K	
C114			CK73GB1C104K	CHIP C 0.10UF K		C202			CC73GCH1H220J	CHIP C 22PF J	
C115			CC73GCH1H060B	CHIP C 6.0PF B		C206			CC73GCH1H040B	CHIP C 4.0PF B	
C116,117			CK73GB1C104K	CHIP C 0.10UF K		C207			CC73GCH1H221J	CHIP C 220PF J	
C118			CC73GCH1H030B	CHIP C 3.0PF B		C208			CK73GB1H103K	CHIP C 0.010UF K	
C119			CK73GB1H103K	CHIP C 0.010UF K		C209,210			CK73GB1H102K	CHIP C 1000PF K	
C120			CK73GB1H472K	CHIP C 4700PF K		C211			CK73GB1E183K	CHIP C 0.018UF K	
C121			CC73GCH1H020B	CHIP C 2.0PF B		C212			CK73GB1H822K	CHIP C 8200PF K	
C122			CK73GB1H102K	CHIP C 1000PF K		C213			CK73GB1H102K	CHIP C 1000PF K	
C123			C92-0662-05	CHIP-TAN 15UF 6.3WV		C214			CK73GB1C683K	CHIP C 0.068UF K	
C125,126			CK73GB1H102K	CHIP C 1000PF K		C216			CC73GCH1H120J	CHIP C 12PF J	
C127			CK73GB1H103K	CHIP C 0.010UF K		C217			CK73FB1A105K	CHIP C 1.0UF K	
C128			CK73GB1H102K	CHIP C 1000PF K		C218			CK73GB1C104K	CHIP C 0.10UF K	
C129			CK73GB1C104K	CHIP C 0.10UF K		C220			CK73GB1C473K	CHIP C 0.047UF K	
C133			CK73GB1H102K	CHIP C 1000PF K		C221			CK73GB1H102K	CHIP C 1000PF K	
C135			CK73GB1H103K	CHIP C 0.010UF K		C222			CK73GB1E123K	CHIP C 0.012UF K	
C136			CK73GB1H102K	CHIP C 1000PF K		C223			C92-0507-05	CHIP-TAN 4.7UF 6.3WV	
C138			CC73GCH1H330J	CHIP C 33PF J		C225			CK73GB1H222K	CHIP C 2200PF K	
C141			CC73GCH1H180J	CHIP C 18PF J		C226			CK73GB1C683K	CHIP C 0.068UF K	
C142			CK73GB1E223K	CHIP C 0.022UF K		C228			CK73GB1H102K	CHIP C 1000PF K	
C143			CK73GB1H102K	CHIP C 1000PF K		C230			CK73GB1H102K	CHIP C 1000PF K	
C144			CK73GB1H392K	CHIP C 3900PF K		C232			CK73GB1H102K	CHIP C 1000PF K	
C146			CK73GB1H102K	CHIP C 1000PF K		C233			C92-0719-05	ELECTRO 47UF 25WV	
C147			CK73GB1E223K	CHIP C 0.022UF K		C236			CC73GCH1H220J	CHIP C 22PF J	
C150			CC73GCH1H150J	CHIP C 15PF J		C237			CK73GB1C104K	CHIP C 0.10UF K	
C152			CC73GCH1H100C	CHIP C 10PF C		C239			CK73GB1H102K	CHIP C 1000PF K	
C154			CK73GB1H102K	CHIP C 1000PF K		C242			CK73GB1H102K	CHIP C 1000PF K	
C155			CK73GB1H103K	CHIP C 0.010UF K		C243			CK73GB1C104K	CHIP C 0.10UF K	
C157			CK73GB1H102K	CHIP C 1000PF K		C244			CC73GCH1H010B	CHIP C 1.0PF B	
C158			CC73GCH1H220J	CHIP C 22PF J		C246			C92-0719-05	ELECTRO 47UF 25WV	
C160			CK73FB1C334K	CHIP C 0.33UF K		C247			CC73GCH1H240J	CHIP C 24PF J	
C162			CC73GCH1H101J	CHIP C 100PF J		C251,252			CK73GB1H102K	CHIP C 1000PF K	
C163			CC73GCH1H080B	CHIP C 8.0PF B		C254			C92-0004-05	CHIP-TAN 1.0UF 16WV	
C165			CK73GB1H103K	CHIP C 0.010UF K		C256			CK73GB1C104K	CHIP C 0.10UF K	
C167			CC73GCH1H100C	CHIP C 10PF C		C261			C93-0559-05	CHIP C 9.0PF D	
C168			CK73GB1H103K	CHIP C 0.010UF K		C262			C92-0568-05	CHIP-TAN 22UF 10WV	
C169-171			CK73GB1H102K	CHIP C 1000PF K		C264			CK73GB1H102K	CHIP C 1000PF K	
C173			CK73GB1C104K	CHIP C 0.10UF K		C265			C92-0568-05	CHIP-TAN 22UF 10WV	
C174			CC73GCH1H101J	CHIP C 100PF J		C267			C93-0557-05	CHIP C 7.0PF D	
C176			CK73GB1H102K	CHIP C 1000PF K		C268			C92-0568-05	CHIP-TAN 22UF 10WV	
C177			CC73GCH1H220J	CHIP C 22PF J		C269			CK73GB1H103K	CHIP C 0.010UF K	
C178			CK73GB1C104K	CHIP C 0.10UF K		C270			C93-0556-05	CHIP C 6.0PF D	
C179			CK73GB1H102K	CHIP C 1000PF K		C273			CC73GCH1H040B	CHIP C 4.0PF B	

PARTS LIST

TX-RX UNIT (X57-6290-20)

Ref. No.	Address	New parts	Parts No.	Description	Destination	Ref. No.	Address	New parts	Parts No.	Description	Destination
C274			CK73GB1H103K	CHIP C 0.010UF K		C379			CK73GB1C104K	CHIP C 0.10UF K	
C275			CK73GB1C104K	CHIP C 0.10UF K		C508			CK73GB1H102K	CHIP C 1000PF K	
C277			CK73FB1A105K	CHIP C 1.0UF K		C511			CK73GB1H102K	CHIP C 1000PF K	
C279			CK73GB1H102K	CHIP C 1000PF K		C512,513			CC73GCH1H101J	CHIP C 100PF J	
C280			C92-0633-05	CHIP-TAN 22UF 10WV		C514			CC73GCH1H100C	CHIP C 10PF C	
C283			CK73GB1H102K	CHIP C 1000PF K		C515			CC73GCH1H040B	CHIP C 4.0PF B	
C284			CK73FB1C224K	CHIP C 0.22UF K		C518			C92-0507-05	CHIP-TAN 4.7UF 6.3WV	
C286			CK73GB1C104K	CHIP C 0.10UF K		C522			CC73GCH1H120J	CHIP C 12PF J	
C288			C92-0721-05	ELECTRO 330UF 25WV		C523			CK73GB1H102K	CHIP C 1000PF K	
C289			C93-0603-05	CHIP C 1000PF K		C524			CK73GB1H392K	CHIP C 3900PF K	
C290			CK73GB1H102K	CHIP C 1000PF K		C525			CK73FB1A105K	CHIP C 1.0UF K	
C291,292			CC73GCH1H0R5B	CHIP C 0.5PF B		C526,527			CK73GB1H102K	CHIP C 1000PF K	
C294,295			CK73GB1H102K	CHIP C 1000PF K		TC1-3			C05-0245-05	CERAMIC TRIMMER CAP(10PF)	
C296			C93-0565-05	CHIP C 27PF J		TC5	*		C05-0399-05	CERAMIC TRIMMER CAP(6PF)	
C297			CK73GB1C104K	CHIP C 0.10UF K		CN1			E40-5651-05	FLAT CABLE CONNECTOR	
C298,299			CK73GB1H102K	CHIP C 1000PF K		CN5			E40-3246-05	PIN ASSY	
C301			C93-0554-05	CHIP C 4.0PF C		CN6			E23-0486-05	TERMINAL	
C302			C92-0040-05	CHIP-ELE 47UF 16WV		J1			E11-0425-05	3.5D PHONE JACK(3P)	
C303,304			CK73GB1H102K	CHIP C 1000PF K		CF1	*		L72-0993-05	CERAMIC FILTER	
C305			C93-0565-05	CHIP C 27PF J		CF2	*		L72-0994-05	CERAMIC FILTER	
C307			CK73GB1H102K	CHIP C 1000PF K		L1			L92-0140-05	FERRITE CHIP	
C308			C92-0560-05	CHIP-TAN 10UF 6.3WV		L2	*		L41-1005-08	SMALL FIXED INDUCTOR	
C310			CK73GB1H103K	CHIP C 0.010UF K		L3			L92-0138-05	FERRITE CHIP	
C312			CC73GCH1H0R5B	CHIP C 0.5PF B		L4			L92-0140-05	FERRITE CHIP	
C313			CC73GCH1H030B	CHIP C 3.0PF B		L5,6			L40-2702-86	SMALL FIXED INDUCTOR(27UH)	
C314			CK73GB1C104K	CHIP C 0.10UF K		L7			L92-0140-05	FERRITE CHIP	
C315			C92-0004-05	CHIP-TAN 1.0UF 16WV		L8			L40-2702-86	SMALL FIXED INDUCTOR(27UH)	
C316			C92-0516-05	CHIP-TAN 4.7UF 16WV		L9			L40-2778-67	SMALL FIXED INDUCTOR(27NH)	
C318			CK73GB1H102K	CHIP C 1000PF K		L10			L40-2702-86	SMALL FIXED INDUCTOR(27UH)	
C320			C92-0722-05	ELECTRO 470UF 16WV		L11			L40-3978-67	SMALL FIXED INDUCTOR(39NH)	
C321			C93-0557-05	CHIP C 7.0PF D		L12			L40-3381-86	SMALL FIXED INDUCTOR(0.33UH)	
C323			C93-0562-05	CHIP C 15PF J		L13			L40-2702-86	SMALL FIXED INDUCTOR(27UH)	
C324			CK73GB1H102K	CHIP C 1000PF K		L14			L40-3381-86	SMALL FIXED INDUCTOR(0.33UH)	
C326-328			CK73GB1H102K	CHIP C 1000PF K		L15			L40-2702-86	SMALL FIXED INDUCTOR(27UH)	
C329			CK73GB1H103K	CHIP C 0.010UF K		L16			L92-0140-05	FERRITE CHIP	
C330-332			CC73GCH1H101J	CHIP C 100PF J		L17	*		L41-3385-08	SMALL FIXED INDUCTOR	
C333			CK73GB1H102K	CHIP C 1000PF K		L18			L92-0140-05	FERRITE CHIP	
C334			CC73GCH1H180J	CHIP C 18PF J		L19,20			L40-2702-86	SMALL FIXED INDUCTOR(27UH)	
C335,336			CK73GB1C104K	CHIP C 0.10UF K		L21	*		L41-3375-06	SMALL FIXED INDUCTOR	
C337			C92-0507-05	CHIP-TAN 4.7UF 6.3WV		L22			L34-4554-05	COIL	
C338			CK73GB1C104K	CHIP C 0.10UF K		L23			L92-0140-05	FERRITE CHIP	
C340			C92-0560-05	CHIP-TAN 10UF 6.3WV		L24	*		L41-1585-06	SMALL FIXED INDUCTOR	
C341			CK73GB1H102K	CHIP C 1000PF K		L25	*		L41-1085-06	SMALL FIXED INDUCTOR	
C342			C92-0507-05	CHIP-TAN 4.7UF 6.3WV		L26	*		L41-8285-08	SMALL FIXED INDUCTOR	
C344-353			CK73GB1H102K	CHIP C 1000PF K		L27	*		L41-5685-08	SMALL FIXED INDUCTOR	
C355			CK73GB1C104K	CHIP C 0.10UF K		L30			L34-4612-05	AIR-CORE COIL	
C356			CK73GB1H103K	CHIP C 0.010UF K		L31	*		L41-6875-08	SMALL FIXED INDUCTOR	
C358			CK73GB1H102K	CHIP C 1000PF K		L32			L34-4612-05	AIR-CORE COIL	
C365,366			CK73GB1H102K	CHIP C 1000PF K		L33	*		L41-6875-08	SMALL FIXED INDUCTOR	
C367			CC73GCH1H101J	CHIP C 100PF J		L36			L34-4612-05	AIR-CORE COIL	
C371,372			CK73GB1H471K	CHIP C 470PF K		L38	*		L34-4611-05	AIR-CORE COIL	
C374			C92-0507-05	CHIP-TAN 4.7UF 6.3WV		L39	*		L34-4669-05	AIR-CORE COIL	
C375			CK73GB1C104K	CHIP C 0.10UF K		L40	*		L34-4667-05	AIR-CORE COIL	
C376			CK73GB1H102K	CHIP C 1000PF K		L42	*		L34-4668-05	AIR-CORE COIL	
C377			C92-0004-05	CHIP-TAN 1.0UF 16WV		L43,44	*		L34-4670-05	AIR-CORE COIL	
C378			CK73GB1H102K	CHIP C 1000PF K		L45	*		L34-4667-05	AIR-CORE COIL	
						L52	*		L41-5675-06	SMALL FIXED INDUCTOR	

PARTS LIST

TX-RX UNIT (X57-6290-20)

Ref. No.	Address	New parts	Parts No.	Description	Destination	Ref. No.	Address	New parts	Parts No.	Description	Destination
L54		*	L41-1085-06	SMALL FIXED INDUCTOR		R67			RK73GB1J223J	CHIP R 22K J 1/16W	
L55			L92-0140-05	FERRITE CHIP		R70			RK73GB1J473J	CHIP R 47K J 1/16W	
X1		*	L77-1868-05	TCXO (16.8MHZ)		R72			RK73GB1J224J	CHIP R 220K J 1/16W	
X2		*	L77-1867-05	CRYSTAL RESONATOR(7.159MHZ)		R73,74			RK73GB1J103J	CHIP R 10K J 1/16W	
XF1		*	L71-0591-05	MCF (49.95MHZ)		R76			RK73GB1J101J	CHIP R 100 J 1/16W	
R1			RK73GB1J332J	CHIP R 3.3K J 1/16W		R77,78			RK73GB1J103J	CHIP R 10K J 1/16W	
R2			RK73GB1J102J	CHIP R 1K J 1/16W		R80-85			RK73GB1J102J	CHIP R 1.0K J 1/16W	
R3			R92-1252-05	CHIP R 0 OHM		R86			RK73GB1J101J	CHIP R 100 J 1/16W	
R4,5			RK73GB1J101J	CHIP R 100 J 1/16W		R87			RK73GB1J223J	CHIP R 22K J 1/16W	
R6,7			R92-1252-05	CHIP R 0 OHM		R88			RK73GB1J101J	CHIP R 100 J 1/16W	
R10,11			RK73GB1J102J	CHIP R 1.0K J 1/16W		R89			RK73GB1J104J	CHIP R 100K J 1/16W	
R12			RK73GB1J152J	CHIP R 1.5K J 1/16W		R94			RK73GB1J472J	CHIP R 4.7K J 1/16W	
R13			RK73GB1J102J	CHIP R 1.0K J 1/16W		R95			R92-1252-05	CHIP R 0 OHM	
R15			RK73GB1J100J	CHIP R 10 J 1/16W		R97			RK73GB1J102J	CHIP R 1.0K J 1/16W	
R18			RK73GB1J913J	CHIP R 91K J 1/16W		R98,99			RK73GB1J221J	CHIP R 220 J 1/16W	
R19			RK73GB1J683J	CHIP R 68K J 1/16W		R100			RK73GB1J102J	CHIP R 1.0K J 1/16W	
R20			RK73GB1J104J	CHIP R 100K J 1/16W		R101			RK73GB1J124J	CHIP R 120K J 1/16W	
R21			RK73GB1J152J	CHIP R 1.5K J 1/16W		R102			RK73GB1J223J	CHIP R 22K J 1/16W	
R22			RK73GB1J122J	CHIP R 1.2K J 1/16W		R103			RK73GB1J182J	CHIP R 1.8K J 1/16W	
R23			RK73GB1J102J	CHIP R 1.0K J 1/16W		R104,105			R92-1252-05	CHIP R 0 OHM	
R24			RK73GB1J754J	CHIP R 750K J 1/16W		R106			RK73GB1J472J	CHIP R 4.7K J 1/16W	
R26,27			RK73GB1J153D	CHIP R 15K D 1/16W		R107			RK73GB1J101J	CHIP R 100 J 1/16W	
R28			R92-1252-05	CHIP R 0 OHM		R108			RK73GB1J274J	CHIP R 270K J 1/16W	
R30			RK73GB1J152J	CHIP R 1.5K J 1/16W		R109			R92-1252-05	CHIP R 0 OHM	
R31			RK73GB1J244J	CHIP R 240K J 1/16W		R111			RK73GB1J222J	CHIP R 2.2K J 1/16W	
R32			R92-1252-05	CHIP R 0 OHM		R113			RK73GB1J183J	CHIP R 18K J 1/16W	
R33			RK73GB1J102J	CHIP R 1.0K J 1/16W		R114			R92-1252-05	CHIP R 0 OHM	
R34			RK73GB1J562J	CHIP R 5.6K J 1/16W		R115			RK73GB1J102J	CHIP R 1.0K J 1/16W	
R36			RK73GB1J471J	CHIP R 470 J 1/16W		R117			RK73GB1J102J	CHIP R 1.0K J 1/16W	
R37			RK73GB1J153J	CHIP R 15K J 1/16W		R118			RK73GB1J473J	CHIP R 47K J 1/16W	
R38			RK73GB1J562J	CHIP R 5.6K J 1/16W		R119			RK73GB1J102J	CHIP R 1.0K J 1/16W	
R39			RK73GB1J103J	CHIP R 10K J 1/16W		R120			RK73GB1J473J	CHIP R 47K J 1/16W	
R40			RK73GB1J224J	CHIP R 220K J 1/16W		R122,123			RK73GB1J473J	CHIP R 47K J 1/16W	
R41			RK73GB1J273J	CHIP R 27K J 1/16W		R124			RK73GB1J472J	CHIP R 4.7K J 1/16W	
R42			RK73GB1J183J	CHIP R 18K J 1/16W		R126			RK73GB1J102J	CHIP R 1.0K J 1/16W	
R43			RK73GB1J273J	CHIP R 27K J 1/16W		R127			RK73GB1J104J	CHIP R 100K J 1/16W	
R44			R92-1252-05	CHIP R 0 OHM		R128			RK73GB1J105J	CHIP R 1.0M J 1/16W	
R45			RK73GB1J334J	CHIP R 330K J 1/16W		R130			RK73GB1J332J	CHIP R 3.3K J 1/16W	
R46			RK73GB1J681J	CHIP R 680 J 1/16W		R132			RK73GB1J471J	CHIP R 470 J 1/16W	
R47			RK73GB1J563J	CHIP R 56K J 1/16W		R133			RK73GB1J101J	CHIP R 100 J 1/16W	
R48			RK73GB1J154J	CHIP R 150K J 1/16W		R134			R92-1252-05	CHIP R 0 OHM	
R49			RK73GB1J823J	CHIP R 82K J 1/16W		R135-140			RK73GB1J102J	CHIP R 1.0K J 1/16W	
R50			RK73GB1J473J	CHIP R 47K J 1/16W		R141			RK73GB1J152J	CHIP R 1.5K J 1/16W	
R51			RK73GB1J102J	CHIP R 1.0K J 1/16W		R142-144			RK73GB1J102J	CHIP R 1.0K J 1/16W	
R52			RK73GB1J683J	CHIP R 68K J 1/16W		R145			R92-1252-05	CHIP R 0 OHM	
R53			RK73GB1J823J	CHIP R 82K J 1/16W		R146			RK73GB1J334J	CHIP R 330K J 1/16W	
R54			RK73GB1J103J	CHIP R 10K J 1/16W		R147			RK73GB1J473J	CHIP R 47K J 1/16W	
R55			RK73GB1J272J	CHIP R 2.7K J 1/16W		R148			RK73GB1J223J	CHIP R 22K J 1/16W	
R56			RK73GB1J152J	CHIP R 1.5K J 1/16W		R149			RK73GB1J104J	CHIP R 100K J 1/16W	
R57			RK73GB1J683J	CHIP R 68K J 1/16W		R150			RK73GB1J102J	CHIP R 1.0K J 1/16W	
R58			RK73GB1J473J	CHIP R 47K J 1/16W		R151			RK73GB1J103J	CHIP R 10K J 1/16W	
R59			RK73GB1J223J	CHIP R 22K J 1/16W		R152			RK73GB1J473J	CHIP R 47K J 1/16W	
R60			RK73GB1J103J	CHIP R 10K J 1/16W		R153			RK73GB1J331J	CHIP R 330 J 1/16W	
R61			RK73GB1J473J	CHIP R 47K J 1/16W		R154			RK73GB1J471J	CHIP R 470 J 1/16W	
R62,63			RK73GB1J104J	CHIP R 100K J 1/16W		R155			RK73GB1J472J	CHIP R 4.7K J 1/16W	
R64			RK73GB1J154J	CHIP R 150K J 1/16W		R156			RK73GB1J101J	CHIP R 100 J 1/16W	

PARTS LIST

TX-RX UNIT (X57-6290-20)

Ref. No.	Address	New parts	Parts No.	Description	Destination	Ref. No.	Address	New parts	Parts No.	Description	Destination
R158			RK73GB1J102J	CHIP R 1.0K J 1/16W		R229			RK73GB1J223J	CHIP R 22K J 1/16W	
R159,160			RK73GB1J101J	CHIP R 100 J 1/16W		R232			RK73GB1J184J	CHIP R 180K J 1/16W	
R161			RK73GB1J333J	CHIP R 33K J 1/16W		R233			RK73FB2A331J	CHIP R 330 J 1/10W	
R162			RK73GB1J102J	CHIP R 1.0K J 1/16W		R234			RK73GB1J153J	CHIP R 15K J 1/16W	
R163			RK73GB1J471J	CHIP R 470 J 1/16W		R236			R92-1213-05	CHIP R 100 J 1/2W	
R164,165			RK73GB1J333J	CHIP R 33K J 1/16W		R237			RK73GB1J104J	CHIP R 100K J 1/16W	
R166			RK73GB1J102J	CHIP R 1.0K J 1/16W		R238			RK73GB1J153J	CHIP R 15K J 1/16W	
R167			RK73GB1J470J	CHIP R 47 J 1/16W		R239			RK73GB1J472J	CHIP R 4.7K J 1/16W	
R168			RK73GB1J333J	CHIP R 33K J 1/16W		R240			RK73FB2A222J	CHIP R 2.2K J 1/10W	
R169			RK73GB1J222J	CHIP R 2.2K J 1/16W		R241			RK73GB1J334J	CHIP R 330K J 1/16W	
R172			RK73GB1J102J	CHIP R 1.0K J 1/16W		R242			RK73GB1J472J	CHIP R 4.7K J 1/16W	
R173			RK73GB1J104J	CHIP R 100K J 1/16W		R243			RK73GB1J103J	CHIP R 10K J 1/16W	
R174			RK73GB1J470J	CHIP R 47 J 1/16W		R244			RK73GB1J682J	CHIP R 6.8K J 1/16W	
R175			RK73GB1J271J	CHIP R 270 J 1/16W		R245,246			RK73GB1J104J	CHIP R 100K J 1/16W	
R176			RK73GB1J823J	CHIP R 82K J 1/16W		R247			RK73GB1J103J	CHIP R 10K J 1/16W	
R177			RK73GB1J102J	CHIP R 1.0K J 1/16W		R248			RK73GB1J473J	CHIP R 47K J 1/16W	
R178			RK73GB1J180J	CHIP R 18 J 1/16W		R249			RK73GB1J102J	CHIP R 1.0K J 1/16W	
R179			RK73GB1J154J	CHIP R 150K J 1/16W		R250			RK73GB1J223J	CHIP R 22K J 1/16W	
R180			RK73GB1J271J	CHIP R 270 J 1/16W		R251			RK73GB1J273J	CHIP R 27K J 1/16W	
R181			RK73GB1J102J	CHIP R 1.0K J 1/16W		R252			RK73GB1J152J	CHIP R 1.5K J 1/16W	
R183			RK73GB1J222J	CHIP R 2.2K J 1/16W		R254,255			RK73GB1J473J	CHIP R 47K J 1/16W	
R184			R92-1252-05	CHIP R 0 OHM		R257			R92-1261-05	CHIP R 150 J 1/2W	
R185			RK73GB1J103J	CHIP R 10K J 1/16W		R258			RK73GB1J104J	CHIP R 100K J 1/16W	
R186			RK73GB1J100J	CHIP R 10 J 1/16W		R260			RK73GB1J473J	CHIP R 47K J 1/16W	
R188			RK73GB1J104J	CHIP R 100K J 1/16W		R261			RK73GB1J123J	CHIP R 12K J 1/16W	
R189			RK73GH1J124D	CHIP R 120K D 1/16W		R262			R92-1215-05	CHIP R 470 J 1/2W	
R190			RK73GB1J123J	CHIP R 12K J 1/16W		R263			RK73GB1J223J	CHIP R 22K J 1/16W	
R191			RK73GH1J913D	CHIP R 91K D 1/16W		R264			RK73GB1J391J	CHIP R 390 J 1/16W	
R192			RK73GB1J562J	CHIP R 5.6K J 1/16W		R265			RK73GB1J472J	CHIP R 4.7K J 1/16W	
R193			RK73GB1J470J	CHIP R 47 J 1/16W		R266			RK73GB1J334J	CHIP R 330K J 1/16W	
R194			RK73GB1J153J	CHIP R 15K J 1/16W		R267			RK73GB1J223J	CHIP R 22K J 1/16W	
R195			RK73GH1J562D	CHIP R 5.6K D 1/16W		R268			R92-0670-05	CHIP R 0 OHM	
R196			RK73GB1J471J	CHIP R 470 J 1/16W		R271			RK73GB1J472J	CHIP R 4.7K J 1/16W	
R197			RK73GB1J222J	CHIP R 2.2K J 1/16W		R272,273			RK73GB1J102J	CHIP R 1.0K J 1/16W	
R198			RK73GB1J220J	CHIP R 22 J 1/16W		R274			RK73GB1J223J	CHIP R 22K J 1/16W	
R202			RK73GB1J332J	CHIP R 3.3K J 1/16W		R275			RK73GB1J333J	CHIP R 33K J 1/16W	
R203			RK73FB2A470J	CHIP R 47 J 1/10W		R276-278			RK73GB1J102J	CHIP R 1.0K J 1/16W	
R204			RK73GB1J104J	CHIP R 100K J 1/16W		R279			RK73GJ1J393D	CHIP R 39K D 1/16W	
R205			RK73FB2A100J	CHIP R 10 J 1/10W		R280			RK73GH1J274D	CHIP R 270K D 1/16W	
R206			R92-1252-05	CHIP R 0 OHM		R281			RK73GB1J102J	CHIP R 1.0K J 1/16W	
R207			RK73GB1J823J	CHIP R 82K J 1/16W		R282			RK73GB1J684J	CHIP R 680K J 1/16W	
R208			RK73GB1J151J	CHIP R 150 J 1/16W		R283			RK73GB1J184J	CHIP R 180K J 1/16W	
R209			RK73GB1J394J	CHIP R 390K J 1/16W		R285			RK73GB1J681J	CHIP R 680 J 1/16W	
R210			RK73GB1J334J	CHIP R 330K J 1/16W		R286			RK73GB1J124J	CHIP R 120K J 1/16W	
R211			RK73GB1J473J	CHIP R 47K J 1/16W		R287			RK73GB1J472J	CHIP R 4.7K J 1/16W	
R213			R92-0685-05	CHIP R 22 J 1/2W		R288			R92-1252-05	CHIP R 0 OHM	
R214			RK73GB1J562J	CHIP R 5.6K J 1/16W		R301			RK73GB1J104J	CHIP R 100K J 1/16W	
R215			RK73GB1J104J	CHIP R 100K J 1/16W		R302			RK73GB1J683J	CHIP R 68K J 1/16W	
R216			RK73GB1J562J	CHIP R 5.6K J 1/16W		R303			RK73GB1J334J	CHIP R 330K J 1/16W	
R217			RK73GB1J474J	CHIP R 470K J 1/16W		R304			RK73GB1J224J	CHIP R 220K J 1/16W	
R218			RK73GB1J224J	CHIP R 220K J 1/16W		R305			RK73GB1J913J	CHIP R 91K J 1/16W	
R219			RK73GB1J105J	CHIP R 1.0M J 1/16W		R306			RK73GB1J224J	CHIP R 220K J 1/16W	
R221			RK73FB2A331J	CHIP R 330 J 1/10W		R307			RK73GB1J333J	CHIP R 33K J 1/16W	
R224			RK73FB2A150J	CHIP R 15 J 1/10W		R308			R92-1252-05	CHIP R 0 OHM	
R227			RK73GB1J223J	CHIP R 22K J 1/16W		R310			RK73GB1J104J	CHIP R 100K J 1/16W	
R228			RK73GB1J184J	CHIP R 180K J 1/16W		R311			RK73GB1J101J	CHIP R 100 J 1/16W	

PARTS LIST

TX-RX UNIT (X57-6290-20)

Ref. No.	Address	New parts	Parts No.	Description	Destination	Ref. No.	Address	New parts	Parts No.	Description	Destination
R313			RK73GB1J821J	CHIP R 820 J 1/16W		IC20		*	KIA7808AF	ANALOG IC	
R316			R92-1252-05	CHIP R 0 OHM		IC21			NJM2100V	MOS IC	
R319,320			RK73GB1J474J	CHIP R 470K J 1/16W		IC22			NJM2904V	MOS IC	
R321			R92-1252-05	CHIP R 0 OHM		IC23			UPB1509GV	BI-POLAR IC	
R322			RK73GB1J683J	CHIP R 68K J 1/16W		IC101			M67741H-32	POWER MODULE	
R323			R92-1252-05	CHIP R 0 OHM		IC102			LA4600	AF POWER AMP	
R324,325			RK73GB1J102J	CHIP R 1.0K J 1/16W		Q2			2SJ243	FET	
R326			RK73GB1J152J	CHIP R 1.5K J 1/16W		Q3			2SC4649(N,P)	TRANSISTOR	
R328			R92-1252-05	CHIP R 0 OHM		Q4			2SA1832(GR)	TRANSISTOR	
R329			RK73GB1J473J	CHIP R 47K J 1/16W		Q5			2SC4738(GR)	TRANSISTOR	
R330			RK73GB1J183J	CHIP R 18K J 1/16W		Q6			2SC4617(S)	TRANSISTOR	
R331			RK73GB1J102J	CHIP R 1.0K J 1/16W		Q7			2SJ243	FET	
R332			RK73GB1J474J	CHIP R 470K J 1/16W		Q10,11			2SK508NV(K52)	FET	
R333			RK73GB1J394J	CHIP R 390K J 1/16W		Q12			KRX102U	TRANSISTOR	
R334,335			RK73GB1J472J	CHIP R 4.7K J 1/16W		Q13			KRC404RTK	DIGITAL TRANSISTOR	
R336			RK73GB1J473J	CHIP R 47K J 1/16W		Q14			2SC4617(S)	TRANSISTOR	
D1-4			DA221	DIODE		Q15			2SC5108(Y)	TRANSISTOR	
D6			MA2S111	DIODE		Q16		*	KRC414RTK	DIGITAL TRANSISTOR	
D7			HZU5ALL	DIODE		Q18			2SC2412K	TRANSISTOR	
D9-12			MA2S304	VARIABLE CAPACITANCE DIODE		Q19,20			2SC4649(N,P)	TRANSISTOR	
D13			DAN222	DIODE		Q21		*	3SK255	FET	
D14			MA360	VARIABLE CAPACITANCE DIODE		Q22			2SK1824	FET	
D15			DAN222	DIODE		Q23			2SC3357	TRANSISTOR	
D16			MA2S111	DIODE		Q24			2SC4617(S)	TRANSISTOR	
D18			MA742	DIODE		Q25			2SC2954	TRANSISTOR	
D19			DAN235E	DIODE		Q26		*	3SK255	FET	
D20			1SS355	DIODE		Q27			2SC2412K	TRANSISTOR	
D21,22			HVC350B	VARIABLE CAPACITANCE DIODE		Q29,30			KRC102S	DIGITAL TRANSISTOR	
D23			DA221	DIODE		Q31			2SA1745(6,7)	TRANSISTOR	
D24			MA742	DIODE		Q32			DTC363EU	DIGITAL TRANSISTOR	
D25,26			HVC350B	VARIABLE CAPACITANCE DIODE		Q33			KTA1664(Y)	TRANSISTOR	
D27			MA2S111	DIODE		Q34,35			KRC102S	DIGITAL TRANSISTOR	
D30			MA4PH633	DIODE		Q37,38		*	KRC404RTK	DIGITAL TRANSISTOR	
D31			XB15A709	DIODE		Q41			2SC4919	TRANSISTOR	
D34			MA742	DIODE		Q42			2SA1641(S,T)	TRANSISTOR	
D36			MA742	DIODE		Q43			2SK1824	FET	
D38			ZSH5MA27	SURGE ABSORBER		Q101			KTA1046(Y)	TRANSISTOR	
D39			02DZ18(X,Y)	ZENER DIODE		TH1-3			S1R104J475H	THERMISTOR	
D41			1812L110PR	VARISTOR		TH5			S1R104J475H	THERMISTOR	
D43			DAN222	DIODE							
D44			1SS372	DIODE							
IC1			MB15A02	MOS IC							
IC3			M62363FP	MOS IC							
IC4			NJM2902V	MOS IC							
IC5			TK14489V	BI-POLAR IC							
IC6		*	784214AGC119	MPU							
IC7			24LC08BT-ISN	ROM IC							
IC9			LC73872M	MOS IC							
IC10			NJM2902V	MOS IC							
IC11			NJM2904V	MOS IC							
IC12			TA75S01F	MOS IC							
IC14			NJM78L05UA	BI-POLAR IC							
IC15			PST9140NR	MOS IC							
IC17			NJM78L05UA	BI-POLAR IC							
IC18			PST9140NR	MOS IC							
IC19			TC7W74FU	MOS IC							