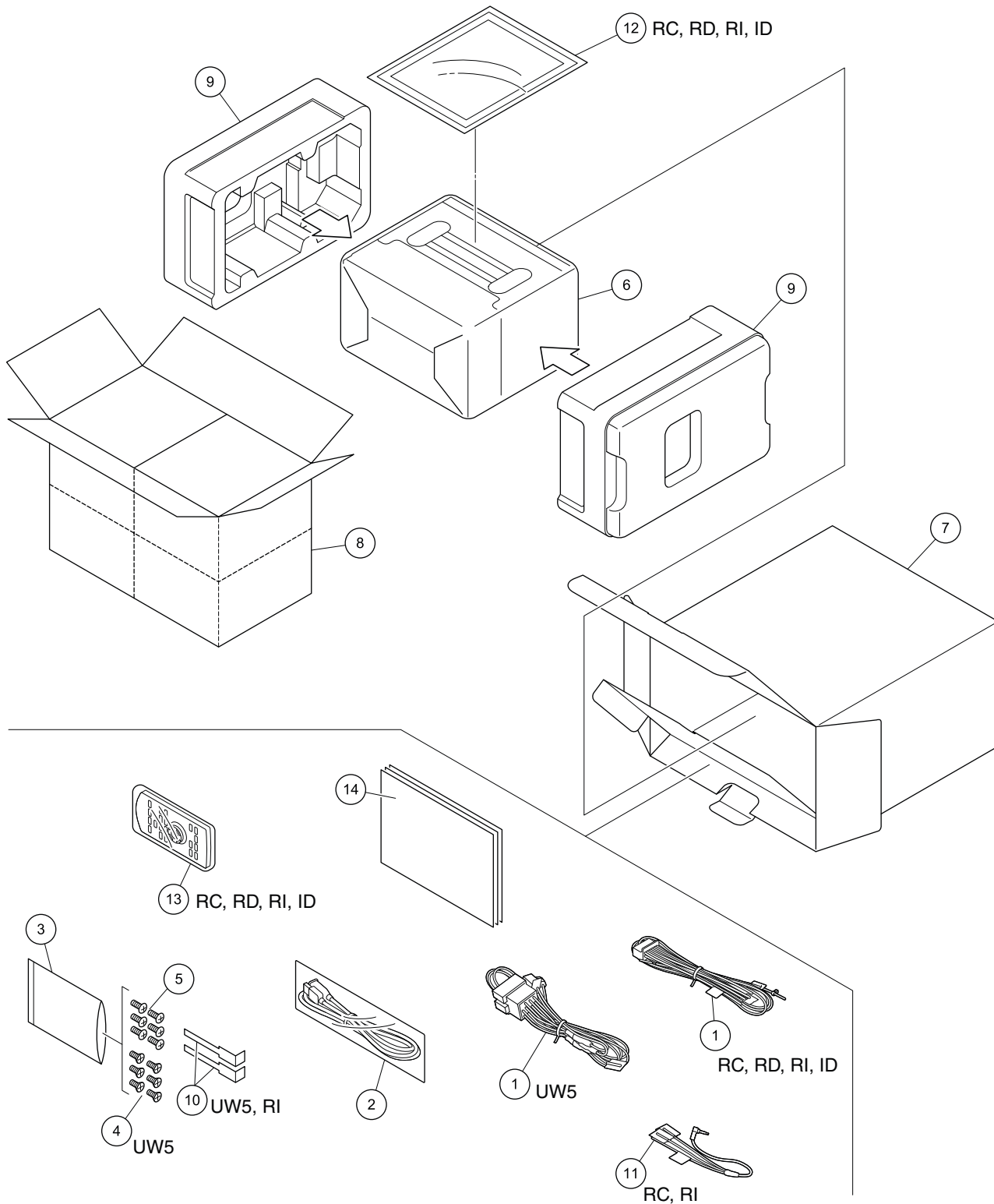


9. EXPLODED VIEWS AND PARTS LIST

- NOTES :**
- Parts marked by "*" are generally unavailable because they are not in our Master Spare Parts List.
 - The ⚠ mark found on some component parts indicates the importance of the safety factor of the part. Therefore, when replacing, be sure to use parts of identical designation.
 - Screw adjacent to ∇ mark on the product are used for disassembly.
 - For the applying amount of lubricants or glue, follow the instructions in this manual.
(In the case of no amount instructions, apply as you think it appropriate.)

9.1 PACKING



(1) PACKING SECTION PARTS LIST

<u>Mark No.</u>	<u>Description</u>	<u>Part No.</u>	<u>Mark No.</u>	<u>Description</u>	<u>Part No.</u>
1	Cord Assy	See Contrast table (2)	10	Handle	See Contrast table (2)
2	USB Extended Cable	CDP1587			
3	Polyethylene Bag	CEG1160	11	Cord Assy	See Contrast table (2)
4	Screw	See Contrast table (2)	12	Panel	See Contrast table (2)
5	Screw	TRZ50P080FTC	13	Card Remote Control Unit	See Contrast table (2)
			14-1	Owner's Manual	See Contrast table (2)
6	Cover	CEG1356	*	14-2 Warranty Card	See Contrast table (2)
7	Unit Box	See Contrast table (2)			
8	Contain Box	See Contrast table (2)	*	14-3 Service Network	See Contrast table (2)
9	Protector	See Contrast table (2)	*	14-4 Caution Card	See Contrast table (2)

(2) CONTRAST TABLE

AVH-X4700DVD/XNUW5, AVH-X4750DVD/XNRC, AVH-X4750DVD/XNRD, AVH-X4750DVD/XNRI and AVH-X4790DVD/XNID are constructed the same except for the following:

Mark	No.	Description	AVH-X4700DVD/ XNUW5	AVH-X4750DVD/ XNRC	AVH-X4750DVD/ XNRD	AVH-X4750DVD/ XNRI	AVH-X4790DVD/ XNID
	1	Cord Assy	CDP1670	CDP1665	CDP1665	CDP1665	CDP1665
	4	Screw	CRZ50P090FTC	Not used	Not used	Not used	Not used
	7	Unit Box	CHG8735	CHG8727	CHG8729	CHG8736	CHG8730
	8	Contain Box	CHL8735	CHL8727	CHL8729	CHL8736	CHL8730
	9	Protector	CHP4599	CHP4598	CHP4598	CHP4599	CHP4598
	10	Handle	CND6289	Not used	Not used	CND6289	Not used
	11	Cord Assy	Not used	CDP1655	Not used	CDP1655	Not used
	12	Panel	Not used	CNS9475	CNS9475	CNS9475	CNS9475
	13	Card Remote Control Unit	Not used	CXE5116	CXE5116	CXE5116	CXE5116
	14-1	Owner's Manual	CRB4450	CRD4823	CRD4824	CRD4825	CRB4451
*	14-2	Warranty Card	CRY1376	Not used	Not used	Not used	CRY1304
*	14-3	Service Network	Not used	Not used	Not used	Not used	CRY1305
*	14-4	Caution Card	CRP1502	CRP1503	CRP1503	CRP1503	CRP1503

Owner's Manual, Installation Manual

Part No.	Language
CRB4450	Russian
CRD4823	English, Traditional Chinese
CRD4824	English, Spanish(Espanol), Portuguese(B)
CRD4825	English, Arabic, Persian
CRB4451	English

9.2 EXTERIOR (1)

1

2

3

4

A

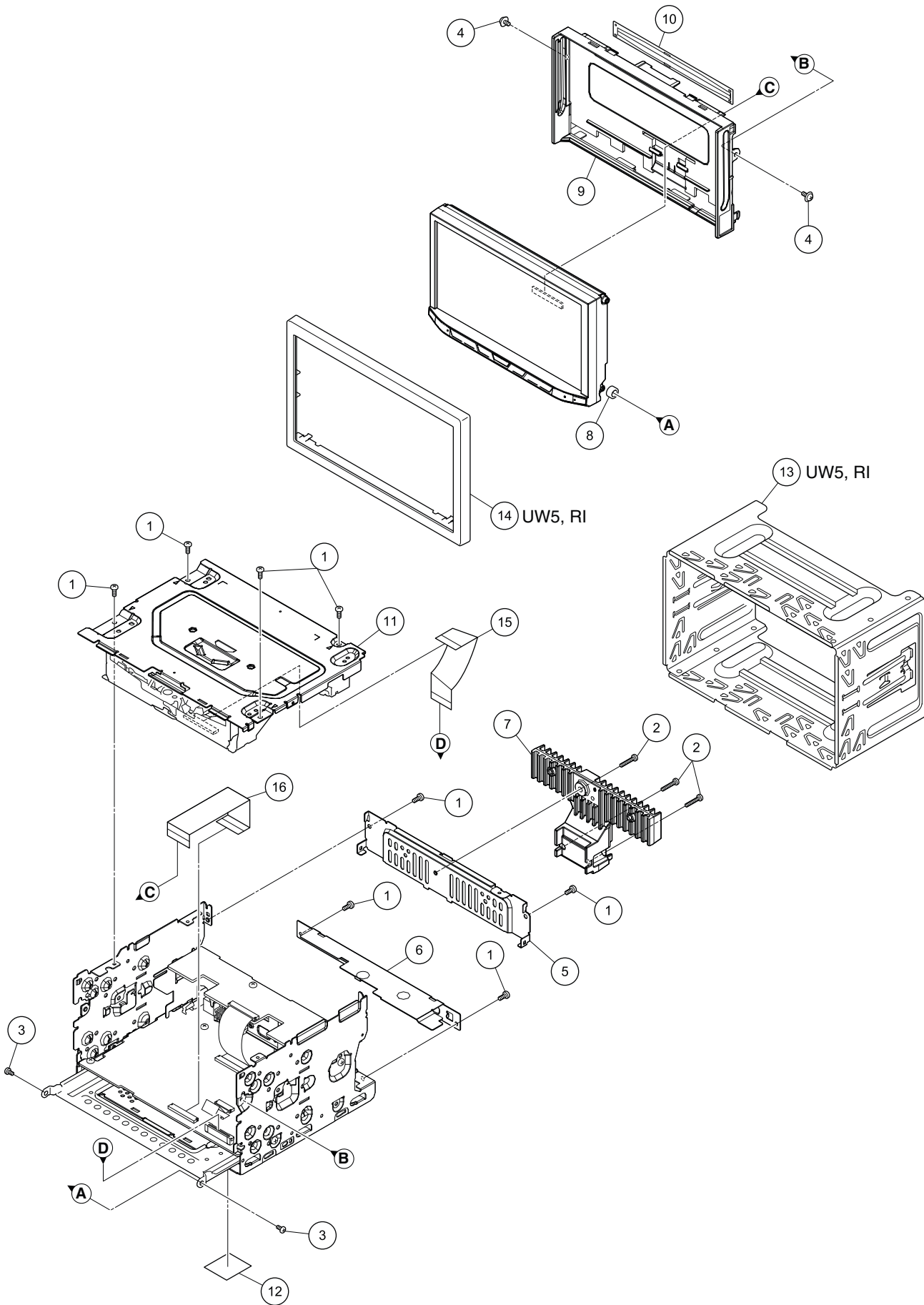
B

C

D

E

F



1

2

3

4

(1) EXTERIOR (1) SECTION PARTS LIST

<u>Mark No.</u>	<u>Description</u>	<u>Part No.</u>	<u>Mark No.</u>	<u>Description</u>	<u>Part No.</u>
1	Screw	BSZ26P060FTC	10	Cover	CNN4866
2	Screw	BSZ26P120FTC			
3	Screw	CBA1735	11	DVD Mechanism Module (LS2.5)	CXK8100
4	Screw	ISS26P055FTC	12	Label	CNN3533
5	Holder	CND7211	13	Holder	See Contrast table (2)
			14	Panel	See Contrast table (2)
6	Holder	CND7212	15	FFC	CDD1069
7	Heat Sink	CNR2170			
8	Collar	CNW2038	16	FFC	CDD1072
9	Panel	See Contrast table (2)			

(2) CONTRAST TABLE

AVH-X4700DVD/XNUW5, AVH-X4750DVD/XNRC, AVH-X4750DVD/XNRD, AVH-X4750DVD/XNRI and AVH-X4790DVD/XNID are constructed the same except for the following:

Mark	No.	Description	AVH-X4700DVD/ XNUW5	AVH-X4750DVD/ XNRC	AVH-X4750DVD/ XNRD	AVH-X4750DVD/ XNRI	AVH-X4790DVD/ XNID
	9	Panel	CNU2916	CNU2918	CNU2918	CNU2918	CNU2918
	13	Holder	CND7102	Not used	Not used	CND7102	Not used
	14	Panel	CNU2645	Not used	Not used	CNU2645	Not used

9.3 EXTERIOR (2)

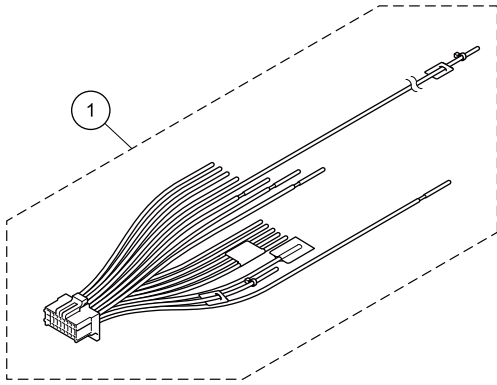
1

2

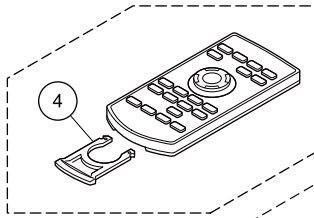
3

4

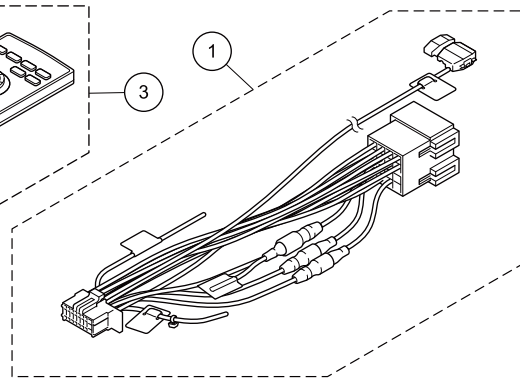
A



RC, RD, RI, ID



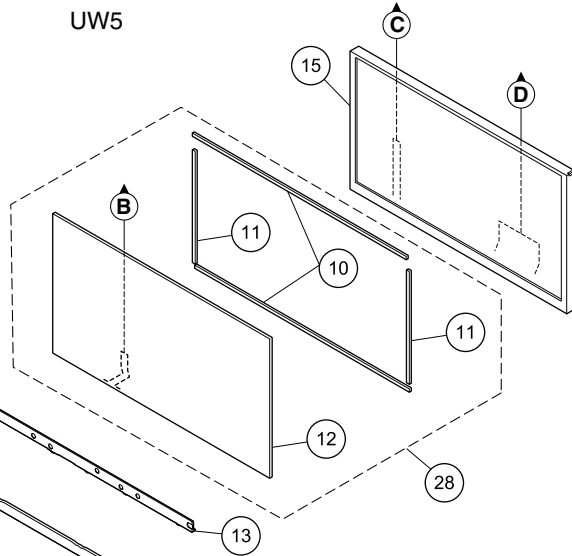
RC, RD, RI, ID



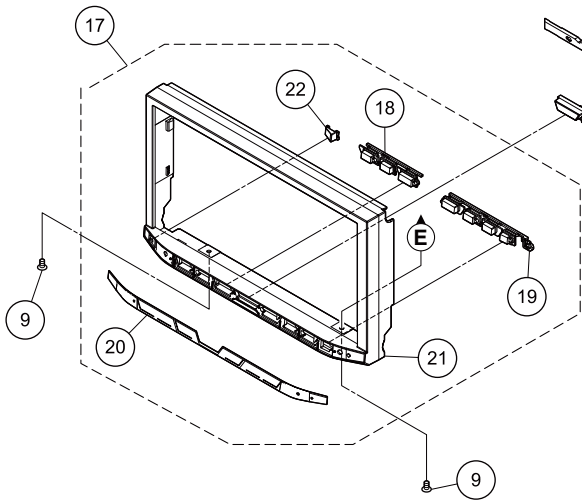
UW5

B

C

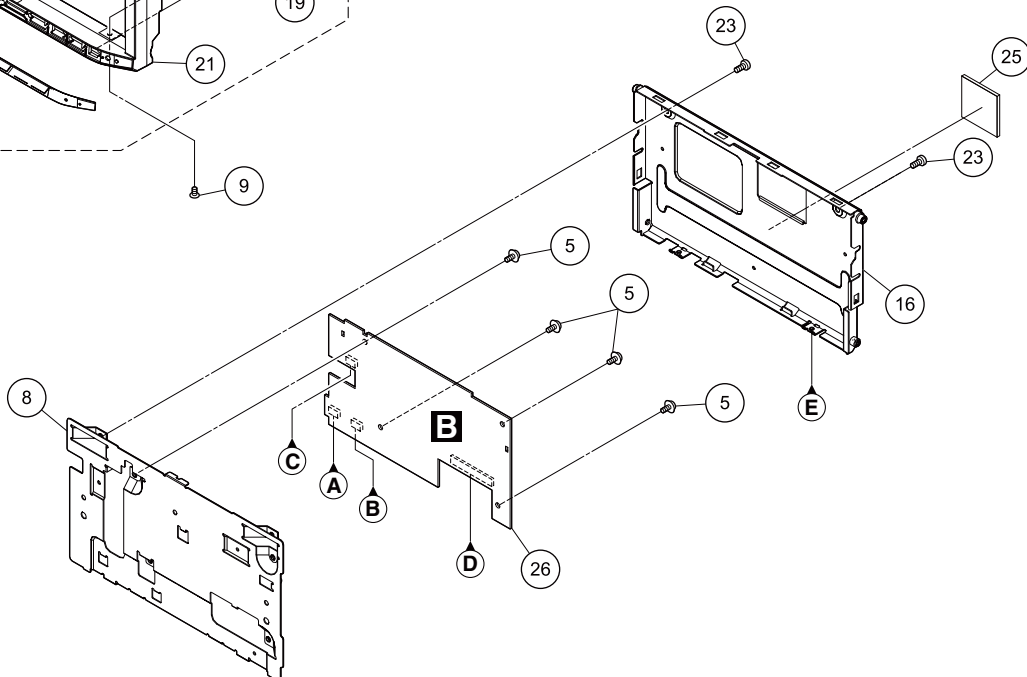


D



E

F



1

2

3

4

(1) EXTERIOR (2) SECTION PARTS LIST

<u>Mark No.</u>	<u>Description</u>	<u>Part No.</u>	<u>Mark No.</u>	<u>Description</u>	<u>Part No.</u>
1	Cord Assy	See Contrast table (2)	16	Case Unit	CXE7602
2	•••••		17	Grille Assy	See Contrast table (2)
3	Card Remote Control Unit	See Contrast table (2)	18	Button	CAI4319
4	Battery Cover	See Contrast table (2)	19	Button	CAI4320
5	Screw	ASZ26P050FTC	20	Plate	See Contrast table (2)
6	Button (HOME)	CAI4318	21	Grille	CNU2894
7	FFC	CDD1038	22	Lighting Conductor	CNW3103
8	Holder	CND7197	23	Screw	BSZ26P060FTC
9	Screw (M2 x 3)	CBA1877	24	•••••	
10	Cushion	CNN4271	25	Cushion	CNN5006
11	Cushion	CNN4272	26	Service Unit (Monitor)	CXX7234
12	Touch Panel	CSX1194	27	Service Unit (Keyboard)	CXX7236
13	Holder	CNW3104	28	Touch Panel Unit	CXE7268
14	Lighting Conductor	CNW3102			
15	TFT LCD	CWX4182			

(2) CONTRAST TABLE

AVH-X4700DVD/XNUW5, AVH-X4750DVD/XNRC, AVH-X4750DVD/XNRD, AVH-X4750DVD/XNRI and AVH-X4790DVD/XNID are constructed the same except for the following:

Mark	No.	Description	AVH-X4700DVD/ XNUW5	AVH-X4750DVD/ XNRC	AVH-X4750DVD/ XNRD	AVH-X4750DVD/ XNRI	AVH-X4790DVD/ XNID
	1	Cord Assy	CDP1670	CDP1665	CDP1665	CDP1665	CDP1665
	3	Card Remote Control Unit	Not used	CXE5116	CXE5116	CXE5116	CXE5116
	4	Battery Cover	Not used	CNU1624	CNU1624	CNU1624	CNU1624
	17	Grille Assy	CXE7980	CXE7981	CXE7981	CXE7981	CXE7982
	20	Plate	CNN4837	CNN4846	CNN4846	CNN4846	CNN4847

9.4 EXTERIOR (3)

A

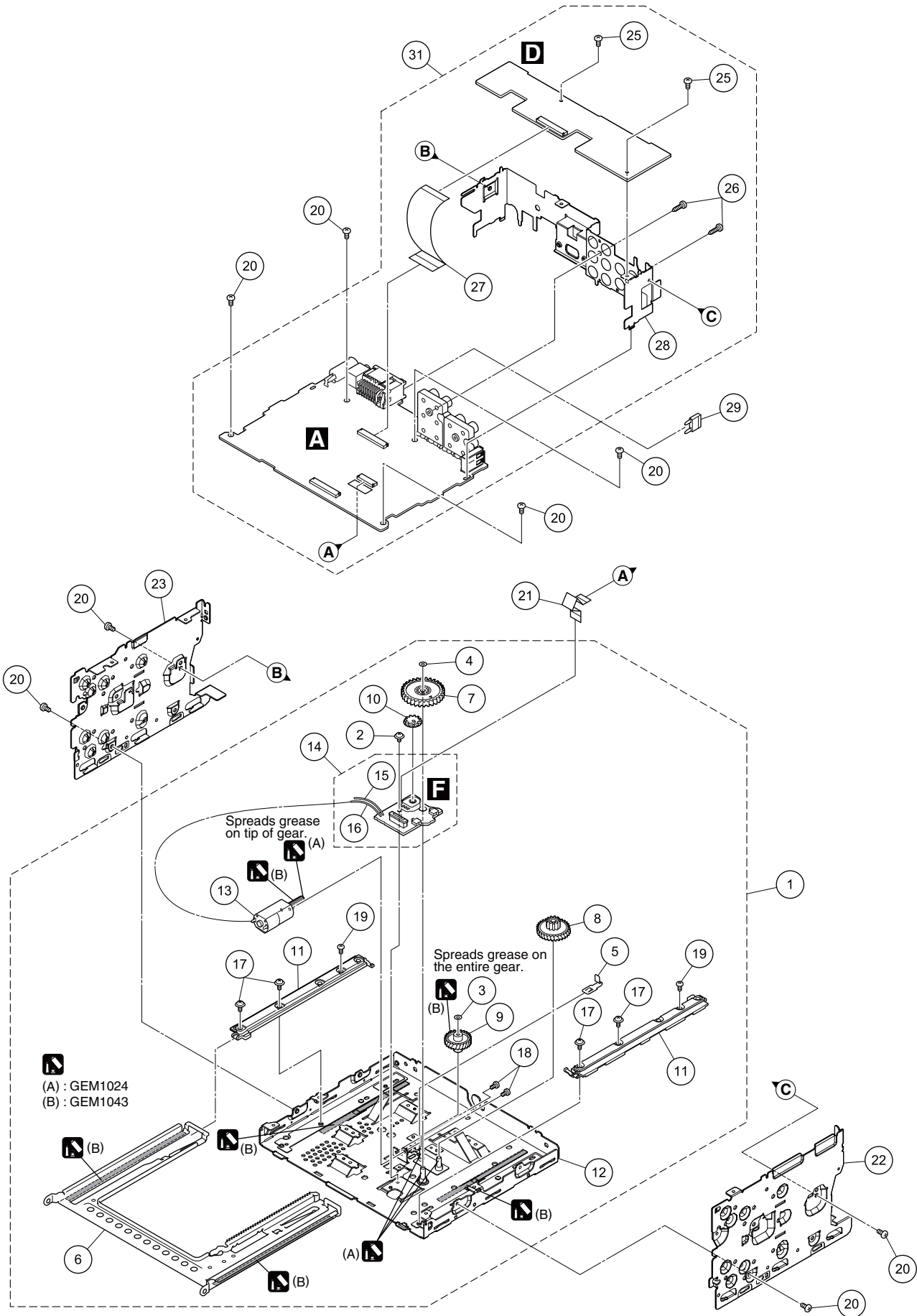
B

C

D

E

F



(1) EXTERIOR (3) SECTION PARTS LIST

<u>Mark No.</u>	<u>Description</u>	<u>Part No.</u>	<u>Mark No.</u>	<u>Description</u>	<u>Part No.</u>
1	Drive Mechanism Unit	CXE7000	17	Screw	IMS26P060FTC
2	Screw	AMZ26P030FTC	18	Screw	JFZ20P025FTC
3	Washer	CBF1039	19	Screw	EBA2002
4	Washer	CBF1064	20	Screw	BSZ26P060FTC
5	Spring	EBL1034			
6	Frame	ENC2001	21	FFC	CDD1034
7	Gear	ENV1630	22	Bracket	CND6985
8	Gear	ENV1631	23	Bracket	CND6986
9	Gear	ENV1632	24	••••	
10	Gear	ENV1635	25	Screw	BSZ26P060FTC
11	Guide	ENV3001	26	Screw	BPZ26P080FTC
*	12 Chassis Unit	EXA4027	27	FFC	CDE9766
13	Motor Unit	EXA4003	28	Holder	CND7202
14	PCB Unit (Service)	EXX2001	29	Fuse (10 A)	YEK5001
*	15 Cord (Green)	CDC1056	30	••••	
*	16 Cord (White)	CDC1057	31	Service Unit (Mother I/F)	See Contrast table (2)

(2) CONTRAST TABLE

AVH-X4700DVD/XNUW5, AVH-X4750DVD/XNRC, AVH-X4750DVD/XNRD, AVH-X4750DVD/XNRI and AVH-X4790DVD/XNID are constructed the same except for the following:

Mark	No.	Description	AVH-X4700DVD/ XNUW5	AVH-X4750DVD/ XNRC	AVH-X4750DVD/ XNRD	AVH-X4750DVD/ XNRI	AVH-X4790DVD/ XNID
	31	Service Unit (Mother I/F)	CXX7227	CXX7228	CXX7230	CXX7231	CXX7232

9.5 DVD MECHANISM MODULE (1)

1

2

3

4

A

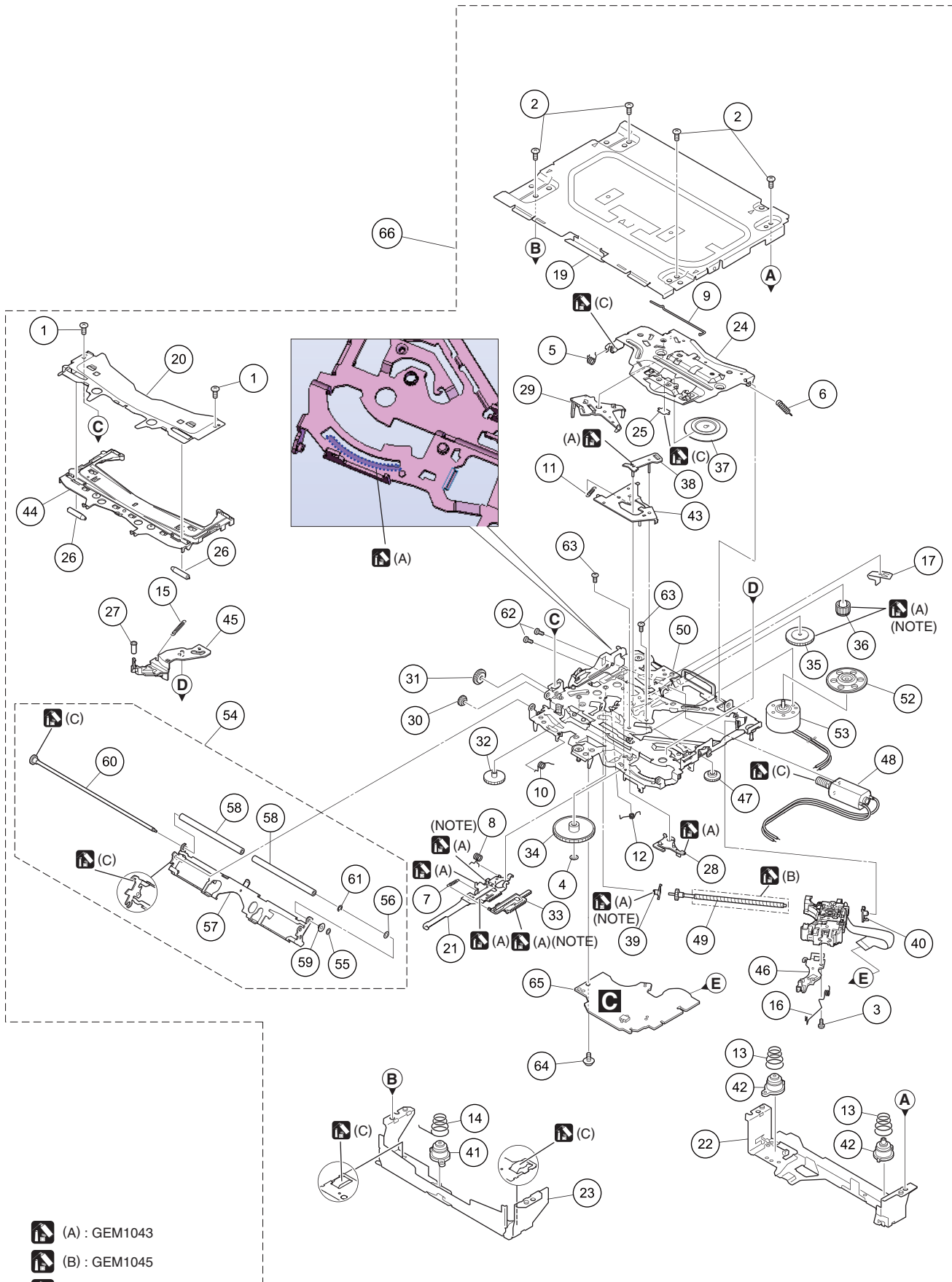
B

C

D

E

F



(NOTE) Apply grease to the whole part.

1

2

3

4

5 6 7 8
DVD MECHANISM MODULE (1) SECTION PARTS LIST

<u>Mark No.</u>	<u>Description</u>	<u>Part No.</u>	<u>Mark No.</u>	<u>Description</u>	<u>Part No.</u>
1	Screw	BSZ20P040FTC	50	Chassis Unit	CXE8407
2	Screw	BSZ26P060FTC			
3	Screw (M2 x 4)	CBA1835	51	
4	Washer	CBF1038	*	52 Support Wheel	CNW2052
5	Spring	CBH2855	*	53 Spindle Motor	EXM2002
				54 Arm Assy	CXE7890
6	Spring	CBH2860		55 Washer	CBF1037
7	Spring	CBH3010			
8	Spring	CBH3011	56	Washer	CBF1038
9	Spring	CBH3014	57	Arm	CND6779
10	Spring	CBH3015	58	Roller	CNW2500
			59	Collar	CNW2444
11	Spring	CBH3016	60	Gear Unit	CXE6225
12	Spring	CBH3017			
13	Spring	CBH3019	61	E Ring	YE15FTC
14	Spring	CBH3086	62	Screw	JFZ20P025FTC
15	Spring	CBH3095	63	Screw	JGZ17P020FTC
			64	Screw (M2 x 5)	EBA1028
16	Spring	CBH3096	65	DVD Core Unit	CWX4609
17	Plate Spring	CBL1824			
18		66	Mechanism Unit(Service)	CXX7126
19	Case	CNB3928	Pickup, Spindle Motor and Support Wheel are not available as service parts, because they need adjustment by special equipment after replacing.		
20	Bracket	CND4553			
21	Lever	CND7225			
22	Bracket	CND5710			
23	Bracket	CND6127			
24	Arm	CND7224			
25	Sheet	CNN3678			
26	Roller	CNW1172			
27	Roller	CNW1175			
28	Arm	CNW1177			
29	Arm	CNW1178			
30	Gear	CNW1180			
31	Gear	CNW1181			
32	Gear	CNW1183			
33	Rack	CNW1184			
34	Gear	CNW1185			
35	Gear	CNW1186			
36	Gear	CNW1187			
37	Clamper	CNW1190			
38	Arm	CNW1192			
39	Holder	CNW1193			
40	Holder	CNW1194			
41	Damper	CNW2439			
42	Damper	CNW2440			
43	Arm	CNW1726			
44	Guide	CNW3489			
45	Arm	CNW2241			
46	Rack	CNW2265			
47	Gear	CNW2287			
48	Motor Unit	CXC4026			
49	Screw Unit	CXC8894			

12. ELECTRICAL PARTS LIST

NOTE:

- Parts whose parts numbers are omitted are subject to being not supplied.
- The part numbers shown below indicate chip components.

Chip Resistor

RS1/○S○○○○J,RS1/○○S○○○○J

Chip Capacitor (except for CQS.....)

CKS....., CCS....., CSZS.....

- The \triangle mark found on some component parts indicates the importance of the safety factor of the part. Therefore, when replacing, be sure to use parts of identical designation.
- Meaning of the figures and others in the parentheses in the parts list.

Example) IC 301 is on the point (face A, 91 of x-axis, and 111 of y-axis) of the corresponding PC board.

IC 301 (A, 91, 111) IC NJM2068V

- The expression of the unit in this manual is shown by u instead of μ . Please do not make a mistake.

Circuit Symbol and No.

Part No.

A:AVH-X4700DVD/XNUW5

B:AVH-X4750DVD/XNRC

C:AVH-X4750DVD/XNRD

D:AVH-X4750DVD/XNRI

E:AVH-X4790DVD/XNID

Unit Number : CXX7227(A)

Unit Number : CXX7228(B)

Unit Number : CXX7230(C)

Unit Number : CXX7231(D)

Unit Number : CXX7232(E)

Unit Name : Service Unit(Mother I/F)

Unit Number : CXX7234

Unit Name : Service Unit(Monitor)

Unit Number : CWX4609

Unit Name : DVD Core Unit

Unit Number : CXX7236

Unit Name : Service Unit(Key)

Unit Number : EXX2001

Unit Name : PCB Unit(Service)

Circuit Symbol and No.

Part No.

AD

Unit Number : CXX7227(A)

Unit Number : CXX7228(B)

Unit Number : CXX7230(C)

Unit Number : CXX7231(D)

Unit Number : CXX7232(E)

Unit Name : Service Unit(Mother I/F)

MISCELLANEOUS

IC 101	(B,50,102) Regulator IC	NJW4181U3-33B
IC 111	(A,99,95) Regulator IC	NJW4184DL3-08A
IC 141	(A,124,60) Regulator IC	MM3479A33P
IC 160	(B,168,75) Regulator IC	RP132J001B-AE
IC 231	(B,120,69) Regulator IC	MM1856A50N
IC 271	(B,146,29) Regulator IC	MM1856A58N
IC 301	(B,159,41) IC	AN33012UA
IC 351	(B,155,64) DC/DC CONV IC	KBD9876EFJ
IC 401	(A,49,37) Flash Blank UC IC	MN103LF15RXW
IC 601	(A,91,46) AS IC	MN1AA9010Z
IC 603	(B,151,91) And Logic IC	MC74VHC1GT08DFG
IC 851	(B,104,21) RAM IC	M12L2561616A-5TG2S
IC 871	(B,78,53) Serial Flash Memory	MX25L1606EM21-12G
IC 881	(B,78,41) Flash Memory IC	S99-50389P
IC 891	(A,124,54) IC	337S3959
IC 901	(B,110,55) IC	AK8814VQ
IC 931	(B,98,73) IC	NJM2283V
IC 1101	(B,137,50) IC	AK4223VQ
IC 1201	(B,137,79) AUD DSP SYS LSI	PM9014A
IC 1271	(B,113,84) OP AMP IC	NJW1240V
IC 1301	(A,88,121) Power AMP IC	PA2032A
IC 2004	(A,37,60) Regulator IC	MM3479A33P
IC 2201	(A,40,74) Tuner IC	TEF6686HN
IC 2401	(B,160,86) DC/DC CONV IC	AN33014UA
IC 2501	(A,143,26) Logic IC	TC7SZ32FUS1
IC 3191	(B,155,100) Interface IC	STCC2540IQ
IC 3221	(B,75,71) Comparator IC	TC75S57FU
IC 3231	(B,83,72) V AMP IC	BH7673G
IC 3232	(B,89,79) V AMP IC	BH7673G

Service Unit(Mother I/F)

Consists of

Mother PCB

Interface PCB

5		6	
<u>Circuit Symbol and No.</u>		<u>Part No.</u>	
IC 3233	(B,111,69) V AMP IC	BH7673G	
IC 3234	(B,98,81) V AMP IC	BH7673G	
Q 11	(B,72,95) Chip Transistor	HN1C01FU	
Q 21	(B,59,127) Resistor Built-IN TR	LTC014EEB	
Q 31	(B,64,124) Resistor Built-IN TR	LTC014EEB	
Q 51	(B,40,124) Bipolar TR	LSAR523UB	
Q 61	(B,51,127) Bipolar TR	LSAR523UB	
Q 211	(B,126,31) Transistor	2SCR573DG	
Q 212	(B,117,33) Resistor Built-IN TR	LTC014EEB	
Q 301	(A,167,42) Power MOS FET	ATP112-H	
Q 302	(A,157,40) Power MOS FET	ATP112-H	
Q 401	(A,54,55) Bipolar TR	LSCR523UB	
Q 402	(A,30,35) Chip Transistor(B,C,D,E)	RN4982	
Q 403	(B,59,54) Chip Transistor(B,C,D,E)	RN4982	
Q 404	(B,38,36) Chip Transistor(B,C,D,E)	RN4982	
Q 405	(B,64,52) Chip Transistor(B,C,D,E)	RN4982	
Q 821	(B,79,66) Bipolar TR	LSCR523UB	
Q 892	(A,124,50) Bipolar TR	LSAR523UB	
Q 931	(B,93,66) Bipolar TR	LSCR523UB	
Q 932	(B,88,69) Bipolar TR	LSCR523UB	
Q 933	(B,85,68) Bipolar TR	LSCR523UB	
Q 1271	(B,125,85) Resistor Built-IN TR	LTC044EEB	
Q 1301	(A,96,108) Chip Transistor	RN1903	
Q 1303	(A,89,106) Bipolar TR	LSCR523UB	
Q 3051	(B,78,85) Chip Transistor	HN1B04FU	
Q 3101	(A,26,108) Chip Transistor	2SD2114K	
Q 3102	(A,30,108) Transistor	RN4984	
Q 3103	(A,23,107) Transistor	RN4984	
D 1	(B,67,104) Diode	D1F60-5053	
D 2	(B,67,101) Diode	D1F60-5053	
D 3	(A,156,79) Diode	RB080L-30	
D 11	(B,73,98) Diode	DZ2J062M0	
D 12	(B,68,94) Diode	DZ2J068M0	
D 21	(B,59,124) Rectifier Diode	DA2J101	
D 32	(B,66,127) Diode	DZ2J056M0	
D 41	(A,74,116) Diode	CRG03	
D 51	(B,42,122) Rectifier Diode	DA2J101	
D 61	(B,50,124) Rectifier Diode	DA2J101	
D 101	(B,66,93) Diode	D1F60-5053	
D 212	(B,119,30) Diode	DZ2J062M0	
D 301	(A,162,39) Diode	RB056L-40	
D 302	(A,158,33) Diode	RB056L-40	
D 351	(A,154,64) Diode	RB056L-40	
D 401	(B,62,49) Schottky Diode	DB2J31400	
D 403	(B,59,45) Schottky Diode	DB2J31400	
D 1301	(A,81,107) Rectifier Diode	DA2J101	
D 1302	(A,92,103) Diode	DZ2J082M0	
D 2201	(B,21,102) Diode	EZAEG2A50AX	
D 2202	(A,36,91) Diode	EZAEG2A50AX	
D 2203	(A,35,88) Diode	EZAEG2A50AX	
D 2401	(B,155,85) Diode	RB060M-30	
D 2402	(A,154,85) Diode	D1F60-5053	
D 3101	(A,22,114) Diode	DZ2S180C	
D 3102	(A,28,113) Diode	DZ2S180C	
D 3103	(A,35,113) Diode	DZ2S180C	
D 3104	(A,32,113) Diode	DZ2S180C	
D 3105	(A,33,108) Diode	DZ2J039M0	
D 3152	(B,142,100) Diode	DZ2S180C	
D 3153	(A,150,106) Diode	DZ2S180C	
D 3154	(A,158,105) Diode	DZ2S180C	

7		8	
<u>Circuit Symbol and No.</u>		<u>Part No.</u>	
D 3191	(A,162,101) Diode	EZAEG2A50AX	
D 3192	(A,162,100) Diode	EZAEG2A50AX	
L 1	(A,60,103) Choke Coil 600 uH	CTH1221	
L 2	(A,158,73) Choke Coil 10 uH	CTH1486	
L 301	(A,166,29) Choke Coil 7 uH	CTH1381	
L 302	(A,156,28) SMD SPL Inductor	CTH1519	
L 351	(A,153,58) SMD SPL Inductor	CTH1524	
L 402	(A,128,38) Chip Beads	VTL1126	
L 403	(A,129,38) Chip Beads	VTL1126	
L 404	(A,131,37) Chip Beads	VTL1126	
L 700	(A,76,30) Chip Beads	VTL1126	
L 701	(A,79,28) Chip Beads	VTL1126	
L 702	(A,79,26) Chip Beads	VTL1126	
L 703	(A,80,28) Chip Beads	VTL1126	
L 704	(A,81,26) Chip Beads	VTL1126	
L 705	(A,81,28) Chip Beads	VTL1126	
L 706	(A,82,26) Chip Beads	VTL1126	
L 707	(A,82,28) Chip Beads	VTL1126	
L 708	(A,83,26) Chip Beads	VTL1126	
L 709	(A,84,28) Chip Beads	VTL1126	
L 710	(A,84,26) Chip Beads	VTL1126	
L 711	(A,85,28) Chip Beads	VTL1126	
L 712	(A,85,26) Chip Beads	VTL1126	
L 713	(A,86,28) Chip Beads	VTL1126	
L 714	(A,87,26) Chip Beads	VTL1126	
L 715	(A,87,28) Chip Beads	VTL1126	
L 716	(A,88,26) Chip Beads	VTL1126	
L 717	(A,88,28) Chip Beads	VTL1126	
L 718	(A,89,26) Chip Beads	VTL1126	
L 719	(A,90,28) Chip Beads	VTL1126	
L 720	(A,91,27) Chip Beads	VTL1126	
L 721	(A,93,26) Chip Beads	VTL1126	
L 722	(A,94,26) Chip Beads	VTL1126	
L 723	(A,95,26) Chip Beads	VTL1126	
L 724	(A,96,28) Chip Beads	VTL1126	
L 725	(B,92,28) Chip Beads	VTL1126	
L 750	(A,110,34) Chip Beads	VTL1128	
L 851	(B,98,33) Inductor	CTF1786	
L 852	(B,111,24) Chip Beads	VTL1128	
L 871	(B,84,50) Inductor	CTF1786	
L 881	(B,84,42) Inductor	CTF1786	
L 882	(B,84,47) Inductor	CTF1740	
L 901	(B,118,62) Inductor	ATL7039	
L 902	(B,108,44) Inductor	ATL7039	
L 903	(B,104,64) Chip Beads	VTL1126	
L 904	(A,113,53) Chip Beads	VTL1126	
L 905	(A,109,53) Chip Beads	VTL1126	
L 906	(A,113,52) Chip Beads	VTL1126	
L 907	(A,109,52) Chip Beads	VTL1126	
L 908	(A,113,51) Chip Beads	VTL1126	
L 909	(A,109,51) Chip Beads	VTL1126	
L 910	(A,114,50) Chip Beads	VTL1126	
L 911	(A,110,50) Chip Beads	VTL1126	
L 1201	(B,144,80) Ferrite Bead	CTF1528	
L 1202	(B,129,80) Ferrite Bead	CTF1528	
L 2201	(A,48,63) Inductor	CTF1749	
L 2203	(A,32,83) Inductor	LCYC150K1608	
L 2204	(A,33,89) Inductor	CTF1389	
L 2205	(A,39,91) Inductor	LCMAR27J1608	
L 2401	(A,160,83) SMD SPL Inductor	CTH1524	

	1		2		3		4	
	<u>Circuit Symbol and No.</u>		<u>Part No.</u>		<u>Circuit Symbol and No.</u>		<u>Part No.</u>	
	L 2402	(B,155,81) Inductor	CTF1793		R 22	(B,62,126)	RS1/16SS472J	
	L 2503	(A,144,28) Chip Beads	VTL1126		R 23	(B,56,122)	RS1/4SA102J	
	L 3101	(A,22,116) Chip Beads	VTL1126		R 31	(B,63,122)	RS1/4SA102J	
A	L 3102	(A,32,114) Chip Beads	VTL1126		R 32	(B,68,124)	RS1/16SS103J	
	L 3103	(A,34,114) Chip Beads	VTL1126		R 51	(B,38,123)	RS1/16SS102J	
	L 3104	(A,27,114) Chip Beads	VTL1126		R 52	(B,38,124)	RS1/16SS473J	
	L 3151	(A,157,107) Chip Beads	VTL1126		R 53	(B,42,124)	RS1/16SS223J	
	L 3152	(A,163,107) Chip Beads	VTL1126		R 54	(B,45,124)	RS1/16SS103J	
	L 3153	(A,151,108) Chip Beads	VTL1126		R 61	(B,47,124)	RS1/16SS223J	
	L 3154	(A,148,105) Chip Beads	VTL1126		R 62	(B,48,123)	RS1/16SS102J	
	L 3155	(B,140,102) Chip Beads	VTL1126		R 63	(B,53,127)	RS1/16SS473J	
	L 3156	(B,142,103) Chip Beads	VTL1126		R 64	(B,53,124)	RS1/16SS103J	
	L 3157	(A,136,107) Chip Beads	VTL1126		R 160	(B,158,78)	RS1/16SS5601D	
B	L 3161	(A,141,106) Chip Beads	VTL1126		R 161	(B,160,78)	RS1/16SS1202D	
	L 3162	(A,141,105) Chip Beads	VTL1126		R 211	(B,121,31)	RS1/10SR101J	
	L 3163	(A,133,105) Chip Beads	VTL1126		R 212	(B,118,30)	RS1/16SS910J	
	L 3164	(A,129,106) Chip Beads	VTL1126		R 213	(B,121,36)	RS1/10SR102J	
	L 3165	(A,126,106) Chip Beads	VTL1126		R 301	(B,150,38)	RS1/16SS561J	
	L 3166	(A,122,105) Chip Beads	VTL1126		R 302	(B,150,39)	RS1/16SS3302D	
	L 3191	(A,160,101) Coil	ATH7015		R 303	(B,151,41)	RS1/16SS4301D	
	L 3231	(B,115,75) Inductor	ATL7015		R 304	(B,150,41)	RS1/16SS3601D	
	L 4001	(B,72,31) Chip Beads	VTL1126		R 305	(B,152,41)	RS1/16SS123J	
	L 4002	(B,72,26) Chip Beads	VTL1126		R 306	(B,165,36)	RS1/16SS103J	
	L 4005	(B,161,46) Chip Beads	VTL1126		R 308	(B,163,46) 11 mohm	CCN1341	
C	L 4006	(B,159,43) Chip Beads	VTL1126		R 309	(B,164,35)	RS1/16SS204J	
	X 401	(A,49,53) Crystal Resonator 12.500 MHz	CSS1839		R 310	(B,165,35)	RS1/16SS394J	
	X 601	(A,77,65) Resonator 24 MHz	CSS1773		R 311	(B,157,46) 12 mohm	CCN1321	
	X 2201	(A,49,70) Crystal Resonator 9.216 MHz	CSS1867		R 312	(B,153,38)	RS1/16SS224J	
	△ P211	(A,133,36) Fuse 2 A	CEK1384		R 313	(B,167,40)	RS1/16SS472J	
	P 2201	(B,19,102) Surge Absorber	IMSA-6803-01Y900		R 314	(B,167,37)	RS1/16SS1101D	
	△ P3051	(A,131,9) Fuse 0.75 A	CEK1380		R 315	(B,167,36)	RS1/16SS3000D	
	P 3152	(B,146,99) Poly Switch	FSMD075-24R		R 316	(B,167,39)	RS1/16SS1002D	
	P 3161	(B,101,104) Poly Switch	FSMD075-24R		R 317	(B,169,39)	RS1/16SS511J	
	P 4001	(A,102,28) Poly Switch	FSMD075-24R		R 318	(B,171,37)	RS1/10SR0R0J	
	P 4003	(B,81,11) Poly Switch	FSMD075-24R		R 322	(B,165,39)	RS1/16SS473J	
D	CN403	(A,126,32) Connector	CKS6095		R 323	(B,165,38)	RS1/16SS473J	
	CN2501	(A,150,8) 30P Connector	VKN1620		R 351	(B,152,58)	RS1/16SS4701D	
	CN3051	(A,89,76) FFC/FPC Connector	CKS6645		R 352	(B,152,59)	RS1/16SS4702D	
	CN3202	(A,113,10) FFC/FPC Connector	CKS6646		R 353	(B,151,61)	RS1/16SS2202D	
	CN4001	(A,145,25) Connector	CKS4497		R 354	(B,155,59)	RS1/16SS332J	
	CN4004	(B,87,45) FFC/FPC Connector	CKS6605		R 359	(A,150,50)	RS1/8SQOR0J	
	JA 1	(A,54,121) Connector	CKM1613		R 360	(B,154,55)	RS1/8SQ331J	
	JA2201	(A,13,116) Antenna Jack	YKS5041		R 401	(A,63,52)	RS1/16SS472J	
	JA3101	(A,29,131) 3.5 DIA Jack	CKN1106		R 402	(A,61,49)	RS1/16SS102J	
	JA3151	(A,149,112) RCA Jack	CKB1110		R 403	(B,61,50)	RS1/16SS103J	
E	JA3161	(A,121,111) RCA Jack	CKB1113		R 405	(A,59,51)	RS1/16SS471J	
	JA3191	(A,167,98) USB Jack	CKN1097		R 406	(A,58,53)	RS1/16SS473J	
	JA4003	(A,41,14) 3.5 DIA Jack	CKS6437		R 407	(A,58,51)	RS1/16SS471J	
	JA4004	(A,163,33) RCA Jack	CKB1106		R 408	(A,57,53)	RS1/16SS473J	
	VL2201	(A,39,84) Variable Coil	CTC1216		R 409	(B,57,36)	RS1/16SS273J	

RESISTORS

	R 11	(B,75,97)	RS1/16SS103J		R 413	(A,55,51)	RS1/16SS473J	
	R 12	(B,75,99)	RS1/16SS473J		R 414	(A,54,58)	RS1/16SS473J	
	R 13	(B,72,99)	RS1/16SS472J		R 415	(A,54,51)	RS1/16SS473J	
	R 16	(B,70,93)	RS1/16SS104J		R 417	(A,53,52)	RS1/16SS104J	
F	R 17	(B,70,94)	RS1/16SS473J		R 418	(B,51,48)	RS1/16SS102J	
	R 18	(B,55,107)	RS1/4SA102J		R 419	(A,49,50)	RS1/16SS0R0J	
	R 21	(B,57,124)	RS1/16SS103J		R 420	(B,43,52)	RS1/16SS102J	

5		6		7		8	
<u>Circuit Symbol and No.</u>		<u>Part No.</u>		<u>Circuit Symbol and No.</u>		<u>Part No.</u>	
R 421	(A,43,56)	RS1/16SS104J		R 514	(A,65,41)	RS1/16SS472J	
R 422	(A,41,50)	RS1/16SS473J		R 515	(A,64,46)	RS1/16SS221J	
R 423	(A,40,52)	RS1/16SS473J		R 518	(A,37,47)	RS1/16SS0R0J	A
R 424	(A,39,52)	RS1/16SS121J		R 519	(B,62,52) (B,C,D,E)	RS1/16SS6800D	
R 425	(A,38,52)	RS1/16SS104J		R 524	(B,63,55) (B,C,D,E)	RS1/16SS8201D	
R 426	(A,37,52)	RS1/16SS121J		R 525	(B,36,34) (B,C,D,E)	RS1/16SS8201D	
R 430	(A,35,44)	RS1/16SS102J					
R 431	(A,35,46)	RS1/16SS473J		R 526	(B,60,52) (A)	RS1/16SS102J	
					(B,60,52) (B,C,D,E)	RS1/16SS1001D	
R 435	(B,40,41)	RS1/16SS682J		R 527	(A,126,38)	RS1/16SS0R0J	
R 437	(B,38,41)	RS1/16SS0R0J		R 528	(A,127,38)	RS1/16SS0R0J	
R 441	(A,35,40)	RS1/16SS0R0J		R 602	(A,112,27)	RS1/10SR0R0J	
R 447	(A,35,36) (A)	RS1/16SS102J					
	(A,35,36) (B,C,D,E)	RS1/16SS1001D		R 603	(A,106,61)	RS1/16SS473J	
R 448	(A,33,36) (B,C,D,E)	RS1/16SS6800D		R 605	(A,108,61)	RS1/16SS473J	
R 453	(A,36,32)	RS1/16SS101J		R 616	(A,96,64)	RS1/16SS473J	B
				R 619	(B,84,60)	RS1/16SS0R0J	
R 454	(A,127,40)	RS1/16SS473J		R 620	(A,90,65)	RS1/16SS1R0J	
R 455	(A,126,40)	RS1/16SS473J					
R 456	(A,128,39)	RS1/16SS681J		R 621	(B,83,60)	RS1/16SS1R0J	
R 457	(A,39,24)	RS1/16SS822J		R 622	(B,84,61)	RS1/16SS0R0J	
R 458	(A,40,24)	RS1/16SS471J		R 623	(B,83,61)	RS1/16SS0R0J	
				R 625	(B,81,61)	RS1/16SS473J	
R 460	(A,44,24)	RS1/16SS473J		R 627	(B,78,64)	RS1/16SS473J	
R 463	(B,43,29)	RS1/16SS104J					
R 464	(B,43,28)	RS1/16SS473J		R 628	(B,76,62)	RS1/16SS0R0J	
R 465	(A,47,24)	RS1/16SS473J		R 629	(A,78,63)	RS1/16SS105J	
R 466	(A,36,39)	RS1/16SS222J		R 630	(A,80,64)	RS1/16SS102J	
				R 631	(B,72,61)	RS1/16SS102J	C
R 467	(A,51,22)	RS1/16SS104J		R 632	(A,73,59)	RS1/16SS0R0J	
R 468	(B,50,23)	RS1/16SS473J					
R 471	(A,52,24)	RS1/16SS221J		R 633	(A,76,60)	RS1/16SS0R0J	
R 472	(A,53,24)	RS1/16SS221J		R 636	(B,72,59)	RS1/16SS104J	
R 474	(A,55,24)	RS1/16SS221J		R 637	(B,76,60)	RS1/16SS473J	
				R 639	(B,76,58)	RS1/16SS473J	
R 475	(A,56,24)	RS1/16SS221J		R 641	(B,80,59)	RS1/16SS103J	
R 476	(A,57,22)	RS1/16SS221J					
R 477	(B,57,26)	RS1/16SS104J		R 642	(B,80,58)	RS1/16SS103J	
R 478	(A,57,24)	RS1/16SS221J		R 643	(A,72,53)	RS1/16SS4701D	
R 479	(A,58,22)	RS1/16SS104J		R 644	(A,72,54)	RS1/16SS1201D	
				R 645	(A,74,54)	RS1/16SS0R0J	
R 480	(A,66,23) (D,E)	RS1/16SS104J		R 646	(A,73,52)	RS1/16SS0R0J	D
R 481	(A,64,23) (A,B,C)	RS1/16SS104J					
R 482	(A,66,24) (B,C)	RS1/16SS104J		R 651	(A,72,49)	RS1/16SS0R0J	
R 483	(A,64,24) (A,D,E)	RS1/16SS104J		R 653	(B,69,50)	RS1/16SS101J	
R 484	(A,66,26) (A,C,E)	RS1/16SS104J		R 654	(B,70,49)	RS1/16SS101J	
R 485	(A,64,26) (B,D)	RS1/16SS104J		R 685	(A,112,32)	RS1/10SR0R0J	
				R 686	(B,154,91)	RS1/16SS473J	
R 487	(A,64,27)	RS1/16SS104J					
R 489	(A,64,29)	RS1/16SS104J		R 687	(B,151,93)	RS1/16SS103J	
R 493	(B,57,32)	RS1/16SS103J		R 688	(B,153,93)	RS1/16SS473J	
R 494	(B,60,32)	RS1/16SS221J		R 701	(A,76,27)	RS1/16SS180J	
R 495	(A,64,33)	RS1/16SS104J		R 703	(A,78,28)	RS1/16SS473J	
				R 704	(A,79,24)	RS1/16SS390J	E
R 496	(B,57,33)	RS1/16SS103J					
R 497	(B,60,33)	RS1/16SS221J		R 705	(A,79,23)	RS1/16SS390J	
R 499	(B,57,34)	RS1/16SS104J		R 706	(A,80,24)	RS1/16SS390J	
R 500	(B,57,35)	RS1/16SS104J		R 707	(A,81,23)	RS1/16SS390J	
R 501	(A,64,35)	RS1/16SS101J		R 708	(A,81,24)	RS1/16SS390J	
				R 709	(A,82,23)	RS1/16SS390J	
R 502	(A,65,36)	RS1/16SS221J					
R 503	(A,64,36)	RS1/16SS221J		R 710	(A,82,24)	RS1/16SS390J	
R 504	(A,65,37)	RS1/16SS221J		R 711	(A,83,23)	RS1/16SS390J	
R 505	(B,60,38)	RS1/16SS104J		R 712	(A,84,24)	RS1/16SS390J	
R 506	(B,53,30)	RS1/16SS0R0J		R 713	(A,84,23)	RS1/16SS390J	
				R 714	(A,85,24)	RS1/16SS390J	
R 508	(B,59,46)	RS1/16SS103J					
R 510	(A,61,26)	RS1/16SS473J		R 715	(A,85,23)	RS1/16SS390J	F
R 511	(A,64,44)	RS1/16SS471J		R 716	(A,86,24)	RS1/16SS390J	
R 512	(A,65,42)	RS1/16SS472J		R 717	(A,87,23)	RS1/16SS390J	
R 513	(A,63,45)	RS1/16SS471J		R 718	(A,87,24)	RS1/16SS390J	

	1	2	3	4
	<u>Circuit Symbol and No.</u>	<u>Part No.</u>	<u>Circuit Symbol and No.</u>	<u>Part No.</u>
	R 719 (A,88,23)	RS1/16SS390J	R 898 (A,120,53)	RS1/16SS222J
	R 720 (A,88,24)	RS1/16SS390J	R 902 (B,106,64)	RS1/16SS820J
A	R 721 (A,89,23)	RS1/16SS390J	R 904 (B,114,61)	RS1/16SS103J
	R 726 (B,92,30)	RS1/16SS101J	R 906 (A,115,53)	RS1/16SS561J
	R 727 (B,94,31)	RS1/16SS0R0J	R 908 (A,111,53)	RS1/16SS561J
	R 729 (A,90,24)	RS1/16SS560J	R 910 (A,115,52)	RS1/16SS561J
	R 730 (A,91,25)	RS1/16SS331J	R 912 (A,111,52)	RS1/16SS561J
	R 732 (A,94,25)	RS1/16SS151J	R 914 (A,115,51)	RS1/16SS561J
	R 733 (A,98,25)	RS1/16SS560J	R 916 (A,111,51)	RS1/16SS561J
	R 734 (A,97,26)	RS1/16SS560J	R 918 (A,115,50)	RS1/16SS561J
	R 735 (A,96,27)	RS1/16SS560J	R 920 (A,112,50)	RS1/16SS561J
	R 736 (A,107,31)	RS1/16SS472J	R 921 (B,113,48)	RS1/16SS103J
	R 739 (A,112,34)	RS1/16SS330J	R 922 (B,113,47)	RS1/16SS271J
B	R 792 (A,111,35)	RS1/16SS330J	R 923 (B,112,48)	RS1/16SS271J
	R 793 (A,107,32)	RS1/16SS472J	R 924 (B,110,47)	RS1/16SS181J
	R 794 (A,109,32)	RS1/16SS472J	R 925 (B,111,48)	RS1/16SS103J
	R 795 (B,104,38)	RS1/16SS472J	R 926 (B,112,46)	RS1/16SS103J
	R 797 (B,105,40)	RS1/16SS472J	R 930 (B,106,47)	RS1/10SR0R0J
	R 798 (B,105,41)	RS1/16SS472J	R 931 (B,104,53)	RS1/16SS6801D
	R 802 (A,116,44)	RS1/16SS103J	R 932 (B,111,61)	RS1/16SS104J
	R 805 (A,112,44)	RS1/16SS473J	R 933 (B,112,61)	RS1/16SS104J
	R 806 (A,113,47)	RS1/16SS473J	R 934 (B,104,45)	RS1/16SS0R0J
	R 813 (A,109,57)	RS1/16SS472J	R 935 (B,92,78)	RS1/16SS0R0J
	R 821 (B,81,64)	RS1/16SS103J	R 938 (B,93,69)	RS1/16SS0R0J
C	R 822 (B,77,66)	RS1/16SS0R0J	R 941 (B,92,65)	RS1/16SS471J
	R 823 (B,75,66)	RS1/16SS104J	R 944 (B,89,67)	RS1/16SS471J
	R 824 (B,76,66)	RS1/16SS153J	R 947 (B,82,69)	RS1/16SS471J
	R 825 (B,79,68)	RS1/16SS471J	R 948 (B,90,72)	RS1/16SS104J
	R 827 (A,112,48)	RS1/16SS0R0J	R 949 (B,94,76)	RS1/16SS104J
	R 828 (A,110,48)	RS1/16SS0R0J	R 950 (B,90,65)	RS1/16SS0R0J
	R 841 (A,111,82)	RAB4CQ103J	R 951 (B,86,67)	RS1/16SS0R0J
	R 851 (B,95,15)	RAB4CQ101J	R 952 (B,84,66)	RS1/16SS0R0J
	R 852 (B,95,18)	RAB4CQ101J	R 953 (B,99,78)	RS1/16SS104J
	R 853 (B,105,34)	RAB4CQ181J	R 960 (B,117,65)	RS1/16SS0R0J
	R 854 (B,102,34)	RAB4CQ181J	R 970 (B,114,44)	RS1/16SS222J
D	R 855 (B,100,34)	RAB4CQ181J	R 971 (B,113,44)	RS1/16SS222J
	R 856 (B,113,14)	RAB4CQ101J	R 1113 (B,139,39)	RS1/16SS75R0D
	R 857 (B,113,19)	RAB4CQ101J	R 1114 (B,137,40)	RS1/16SS104J
	R 858 (B,112,22)	RS1/16SS121J	R 1115 (B,135,39)	RS1/16SS75R0D
	R 859 (B,113,28)	RS1/16SS181J	R 1116 (B,133,41)	RS1/16SS2200D
	R 860 (B,112,28)	RS1/16SS181J	R 1117 (B,126,46)	RS1/16SS0R0J
	R 861 (B,97,23)	RS1/16SS101J	R 1118 (B,131,46)	RS1/16SS75R0D
	R 862 (B,114,34)	RAB4CQ181J	R 1119 (B,136,40)	RS1/16SS101J
	R 863 (B,111,34)	RAB4CQ181J	R 1120 (B,135,40)	RS1/16SS101J
	R 872 (B,76,49)	RS1/16SS0R0J	R 1122 (B,140,40)	RS1/16SS101J
E	R 873 (B,77,49)	RS1/16SS0R0J	R 1123 (B,139,40)	RS1/16SS101J
	R 877 (B,83,53)	RS1/16SS101J	R 1124 (B,142,40)	RS1/16SS101J
	R 878 (B,83,55)	RS1/16SS101J	R 1125 (B,141,40)	RS1/16SS101J
	R 882 (B,84,37)	RS1/16SS101J	R 1131 (B,146,57)	RS1/16SS101J
	R 883 (B,80,34)	RS1/16SS0R0J	R 1132 (B,144,57)	RS1/16SS101J
	R 884 (B,75,34)	RS1/16SS101J	R 1133 (B,143,57)	RS1/16SS101J
	R 885 (B,74,34)	RS1/16SS101J	R 1134 (B,134,60)	RS1/16SS101J
	R 886 (B,82,47)	RS1/16SS271J	R 1135 (B,133,60)	RS1/16SS101J
	R 887 (B,84,45)	RS1/16SS101J	R 1136 (B,132,60)	RS1/16SS101J
	R 888 (B,75,47)	RS1/16SS101J	R 1141 (B,143,39) (A,B,C,D)	RS1/16SS0R0J
	R 892 (A,128,52)	RS1/16SS473J	R 1142 (B,134,39)	RS1/10SR0R0J
			R 1143 (B,131,45)	RS1/16SS470J
F	R 893 (A,124,52)	RS1/16SS183J		
	R 895 (A,127,54)	RS1/16SS222J	R 1144 (B,144,44) (A,B,C,D)	RS1/16SS104J
	R 896 (A,121,55)	RS1/16SS222J	R 1145 (B,145,44) (A,B,C,D)	RS1/16SS101J
	R 897 (A,114,56)	RS1/16SS220J	R 1148 (B,141,44) (E)	RS1/16SS0R0J

	1	2	3	4
	<u>Circuit Symbol and No.</u>	<u>Part No.</u>	<u>Circuit Symbol and No.</u>	<u>Part No.</u>
	C 15 (B,47,108)	CCSSCH102J50	C 358 (B,160,69) 10 uF	CCG1236
	C 16 (B,51,108)	CKSSYB102K50	C 359 (B,156,70)	CKSRYB103K50
	C 17 (B,52,120)	CKSSYB102K50	C 401 (A,52,53)	CCSSCH100D50
A	C 18 (B,59,122)	CKSSYB102K50	C 402 (A,47,50)	CCSSCH120J50
	C 19 (B,54,120)	CKSSYB102K50	C 403 (A,45,53)	CKSRYB105K10
	C 21 (B,61,127)	CKSRYB105K10	C 404 (A,45,52)	CKSSYB104K10
	C 23 (B,66,122)	CKSSYB102K50	C 405 (A,42,53)	CKSRYB105K10
	C 24 (B,68,106)	CKSSYB102K50	C 406 (A,43,52)	CKSSYB104K10
	C 41 (A,71,119)	CKSSYB104K16	C 407 (A,44,50)	CKSSYB104K10
	C 101 (A,60,90)	XCEHAT331M16	C 408 (A,35,45)	CKSSYB104K10
	C 102 (B,49,105)	CKSRYB104K50	C 409 (A,37,29)	CKSSYB104K10
	C 103 (B,47,101)	CKSSYB104K10	C 410 (A,35,29)	CKSRYB105K10
	C 104 (A,69,92)	CEVW470M16	C 411 (A,128,43)	CKSSYB104K10
B	C 111 (A,93,90)	CKSQYB105K25	C 414 (A,50,25)	CKSSYB104K10
	C 112 (A,100,88)	CKSSYB104K16	C 415 (A,49,23)	CKSRYB105K10
	C 114 (A,95,90)	CKSRYB104K50	C 419 (A,63,50) 0.1 uF	CCG1321
	C 115 (A,110,91) 4.7 uF	CCG1222	C 420 (A,65,51)	CKSSYB103K16
	C 116 (A,112,95)	CCSRCH101J50	C 421 (A,64,51)	CCSSCH102J50
	C 141 (A,121,59)	CKSRYB105K10	C 422 (A,62,43)	CKSSYB104K10
	C 142 (A,123,63)	CKSRYB105K10	C 423 (A,63,42)	CKSRYB105K10
	C 143 (A,125,63)	CKSSYB104K10	C 424 (B,58,42)	CKSSYB104K10
	C 160 (B,160,74) 10 uF	DCH1201	C 425 (A,62,48)	CKSSYB104K10
	C 161 (B,158,75) 10 uF	DCH1201	C 427 (A,62,53)	CKSSYB104K10
C	C 211 (B,130,35)	CKSSYB102K50	C 429 (A,65,43)	CKSSYB104K10
	C 212 (B,119,33)	CKSSYB104K10	C 430 (A,65,45)	CKSSYB104K10
	C 213 (B,123,36)	CKSRYB105K16	C 432 (A,63,39)	CKSSYB104K10
	C 214 (A,123,45)	CEVW101M16	C 433 (B,58,41)	CKSSYB104K10
	C 231 (B,123,69)	CKSRYB105K10	C 436 (A,62,37)	CCSSCH471J50
	C 232 (B,117,69)	CKSRYB105K10	C 601 (A,102,63)	CKSSYB104K10
	C 271 (B,146,25)	CKSRYB105K16	C 602 (A,101,64)	CKSRYB104K16
	C 272 (B,146,31)	CKSRYB105K16	C 603 (A,97,62)	CKSSYB104K10
	C 301 (B,151,39)	CCSSCH471J50	C 604 (A,96,63)	CKSSYB104K10
	C 302 (B,152,42)	CKSSYB103K16	C 605 (A,93,62)	CKSSYB104K10
	C 303 (B,154,41)	CCSSCH8R0D50	C 606 (A,91,65)	CKSSYB104K10
	C 304 (B,165,40)	CCSSCH8R0D50	C 607 (A,90,67)	CKSRYB105K10
D	C 305 (B,167,41)	CKSSYB103K16	C 608 (B,84,58)	CKSSYB104K10
	C 306 (B,167,38)	CCSSCH102J50	C 609 (B,82,58)	CKSRYB105K10
	C 307 (B,164,31)	CKSSYB102K50	C 610 (B,83,64)	CKSSYB104K10
	C 308 (B,164,32)	CKSSYB104K10	C 611 (B,82,64)	CKSSYB104K10
	C 309 (B,163,27) 10 uF	CCG1236	C 612 (B,78,63)	CKSSYB104K10
	C 310 (B,163,29) 10 uF	CCG1236	C 613 (A,80,66)	CCSSCH120J50
	C 311 (B,163,24) 47 uF	CCG1229	C 614 (A,74,64)	CCSSCH100D50
	C 316 (B,165,37)	CKSSYB104K10	C 616 (B,72,60)	CKSSYB104K10
	C 319 (B,165,42)	CKSSYB104K16	C 617 (A,74,60)	CKSSYB104K10
	C 320 (B,151,43)	CKSSYB104K16	C 618 (B,79,58)	CKSSYB104K10
E	C 321 (B,153,37)	CKSSYB104K10	C 619 (B,77,56) 1 uF	DCH1246
	C 322 (B,152,39)	CKSRYB105K10	C 620 (A,75,53) 1 uF	DCH1246
	C 324 (B,156,27) 47 uF	CCG1229	C 621 (A,74,52)	CKSSYB104K10
	C 325 (B,157,30) 10 uF	CCG1192	C 622 (A,75,51)	CKSSYB104K10
	C 326 (B,157,32) 10 uF	CCG1192	C 624 (A,73,48)	CKSSYB104K10
	C 327 (B,158,33)	CKSSYB104K10	C 625 (A,75,47)	CKSSYB104K10
	C 328 (B,158,34)	CKSSYB102K50	C 626 (A,74,42)	CKSSYB104K10
	C 330 (B,161,46)	CKSRYB473K50	C 627 (A,75,42)	CKSSYB104K10
	C 331 (B,159,46)	CKSSYB102K50	C 628 (A,75,36)	CKSSYB104K10
	C 334 (B,159,49) 10 uF	CCG1236	C 629 (A,74,35)	CKSSYB104K10
	C 351 (A,159,51)	CEVW470M16	C 631 (B,81,31)	CKSRYB104K16
F	C 352 (A,153,52)	CKSSYB103K16	C 632 (B,84,31)	CKSSYB104K10
	C 353 (A,153,53) 10 uF	CCG1192	C 633 (B,86,31)	CKSRYB104K16
	C 356 (B,154,59)	CKSSYB682K25	C 634 (B,89,31)	CKSRYB104K16
	C 357 (B,158,60)	CKSSYB103K16	C 635 (A,93,29)	CKSRYB104K16

5		6		7		8	
<u>Circuit Symbol and No.</u>		<u>Part No.</u>		<u>Circuit Symbol and No.</u>		<u>Part No.</u>	
C 636	(A,98,27)	CKSSYB104K10		C 893	(A,121,53)	CKSSYB103K16	
C 637	(A,98,29)	CKSRYB104K16		C 901	(B,109,61)	CCSSCH560J50	
C 638	(A,101,29)	CKSRYB104K16		C 902	(B,116,61) 10 uF	CCG1192	
C 639	(A,108,34)	CKSRYB104K16		C 903	(B,115,55)	CKSSYB104K10	A
C 641	(A,108,37)	CKSRYB104K16		C 904	(B,108,49)	CKSSYB103K16	
C 642	(A,109,40)	CKSRYB104K16		C 905	(B,104,51)	CKSSYB103K16	
C 643	(A,108,41)	CKSSYB104K10		C 906	(B,104,49) 10 uF	CCG1192	
C 644	(A,108,42)	CKSRYB104K16		C 907	(B,106,50)	CKSSYB103K16	
C 645	(A,108,45)	CKSRYB104K16		C 908	(B,105,44) 10 uF	CCG1192	
C 646	(A,109,49)	CKSSYB104K10		C 909	(B,104,55)	CKSSYB103K16	
C 647	(A,108,50)	CKSSYB104K10		C 910	(B,111,62)	CKSSYB104K10	
C 648	(A,107,53)	CKSSYB104K10		C 912	(B,109,60)	CKSSYB104K10	
C 649	(A,107,59)	CKSSYB104K10		C 931	(B,95,79) 10 uF	CCG1192	
C 651	(B,87,34) 0.1 uF	CCG1321		C 932	(B,104,67) 10 uF	CCG1192	B
C 652	(B,92,32)	CCSSCH330J50		C 933	(B,90,74) 10 uF	CCG1192	
C 653	(A,75,26)	CCSSCH680J50		C 934	(B,93,71) 10 uF	CCG1192	
C 654	(B,151,95)	CKSRYB105K10		C 935	(B,95,77) 10 uF	CCG1192	
C 655	(B,151,88)	CKSSYB104K10		C 936	(B,101,77) 10 uF	CCG1192	
C 656	(A,108,25)	CCSRCH102J50		C 937	(B,100,66)	CKSSYB103K16	
C 657	(A,108,28) 0.1 uF	CCG1321		C 938	(A,88,64)	CKSRYB105K10	
C 658	(A,109,28)	CCSRCH102J50		C 939	(A,88,68)	CKSRYB105K10	
C 661	(A,111,30) 10 uF	DCH1201		C 940	(A,87,64)	CKSRYB105K10	
C 664	(A,111,25) 10 uF	DCH1201		C 941	(A,86,68)	CKSRYB105K10	
C 668	(B,84,17)	CCSSCH560J50		C 942	(A,85,64)	CKSRYB105K10	
C 669	(B,82,17)	CCSSCH560J50		C 943	(A,85,68)	CKSRYB105K10	C
C 670	(B,82,21)	CCSSCH560J50		C 944	(A,118,65)	CEVW470M16	
C 671	(B,81,21)	CCSSCH560J50		C 1101	(B,144,50)	CKSRYB105K10	
C 672	(B,80,18)	CCSSCH560J50		C 1102	(B,144,49)	CKSSYB104K10	
C 673	(B,79,18)	CCSSCH560J50		C 1104	(B,143,43)	CKSSYB104K10	
C 674	(B,89,22)	CCSSCH560J50		C 1106	(B,142,42)	CKSSYB104K10	
C 675	(B,89,17)	CCSSCH560J50		C 1108	(B,141,42)	CKSSYB104K10	
C 676	(B,85,22)	CCSSCH560J50		C 1110	(B,140,42)	CKSSYB104K10	
C 677	(B,84,22)	CCSSCH560J50		C 1112	(B,139,42)	CKSSYB104K10	
C 678	(B,86,16)	CCSSCH560J50		C 1114	(B,138,42)	CKSSYB104K10	
C 679	(B,85,16)	CCSSCH560J50		C 1115	(B,134,58)	CKSRYB105K10	
C 680	(B,90,24)	CCSSCH560J50		C 1116	(B,137,42)	CKSSYB104K10	D
C 681	(B,89,23)	CCSSCH560J50		C 1117	(B,133,58)	CKSRYB105K10	
C 682	(B,91,18)	CCSSCH560J50		C 1118	(B,136,42)	CKSSYB104K10	
C 683	(B,91,23)	CCSSCH560J50		C 1119	(B,132,58)	CKSRYB105K10	
C 684	(B,90,17)	CCSSCH560J50		C 1120	(B,135,42)	CKSSYB104K10	
C 685	(B,87,22)	CCSSCH560J50		C 1122	(B,134,42)	CKSSYB104K10	
C 687	(A,91,23)	CCSSCH330J50		C 1124	(B,133,42)	CKSSYB104K10	
C 691	(A,99,23)	CCSSCH330J50		C 1126	(B,132,42)	CKSSYB104K10	
C 692	(A,103,23)	CCSSCH330J50		C 1127	(B,127,48) 10 uF	CCG1192	
C 700	(A,109,33)	CCSSCH8R0D50		C 1128	(B,131,47)	CKSSYB104K10	
C 821	(B,75,65) 10 uF	CCG1192		C 1129	(B,131,48)	CKSSYB104K10	
C 823	(A,84,65)	CKSRYB105K10		C 1132	(B,130,53) 10 uF	CCG1192	E
C 824	(A,83,68)	CKSRYB105K10		C 1133	(B,129,49) 10 uF	CCG1192	
C 851	(B,96,11)	CKSSYB104K10		C 1134	(B,145,47) (A,B,C,D)	CKSSYB104K10	
C 852	(B,96,13)	CKSSYB104K10		C 1135	(B,130,45)	CCSSCH181J50	
C 853	(B,95,21)	CKSSYB104K10		C 1136	(B,143,54)	CKSRYB105K10	
C 854	(B,97,20)	CKSSYB104K10		C 1137	(B,144,54)	CKSRYB105K10	
C 855	(B,97,31)	CKSSYB104K10		C 1138	(B,145,54)	CKSRYB105K10	
C 856	(B,111,20)	CKSSYB104K10		C 1202	(A,135,88)	CEVW470M16	
C 857	(B,111,15)	CKSSYB104K10		C 1203	(A,131,83)	CKSSYB104K10	
C 858	(B,113,23)	CCSSCH8R0D50		C 1206	(A,125,77)	CEVW470M16	
C 871	(B,83,50)	CKSSYB104K10		C 1208	(B,131,89)	CKSRYB105K10	F
C 882	(B,84,40)	CKSSYB104K10		C 1209	(B,133,89)	CKSRYB105K10	
C 891	(A,121,50)	CKSSYB104K10		C 1210	(B,133,92)	CKSRYB105K10	
C 892	(A,122,52)	CKSSYB104K10		C 1211	(B,134,92)	CKSRYB105K10	

	1	2	3	4
	<u>Circuit Symbol and No.</u>	<u>Part No.</u>	<u>Circuit Symbol and No.</u>	<u>Part No.</u>
	C 1212 (B,135,89)	CKSRYB105K10	C 2216 (A,40,70)	CKSSYB104K10
	C 1213 (B,136,89)	CKSRYB105K10	C 2219 (A,32,80)	CCSSCH102J50
	C 1214 (B,137,92)	CKSRYB105K10	C 2220 (A,33,92)	CCSSCH471J50
A	C 1215 (B,138,92)	CKSRYB105K10	C 2224 (A,35,75)	CKSSYB152K50
	C 1216 (B,138,89)	CKSRYB105K10	C 2234 (A,34,93)	CCSSCH100D50
	C 1217 (B,140,89)	CKSRYB105K10	C 2238 (A,51,78)	CKSSYB102K50
	C 1218 (B,140,92)	CKSRYB105K10	C 2401 (B,166,90)	CKSSYB222K50
	C 1219 (B,141,92)	CKSRYB105K10	C 2402 (B,165,90)	CCSSCH270J50
	C 1220 (B,142,89)	CKSRYB105K10	C 2403 (B,157,81)	CKSSYB104K16
	C 1223 (A,143,77)	CEVW470M16	C 2404 (A,159,92)	CEVW470M16
	C 1224 (A,133,76) 10 uF	CCG1332	C 2405 (A,167,92)	CEVW101M16
	C 1225 (A,130,69)	CKSSYB104K10	C 2406 (B,166,88)	CKSRYB105K10
	C 1226 (A,134,67)	CEVW470M16	C 2407 (B,162,80)	CKSSYB102K50
B	C 1228 (B,139,72)	CKSSYB104K10	C 2408 (B,164,80)	CKSSYB472K25
	C 1229 (B,135,72)	CKSSYB104K10	C 2409 (B,159,80)	CKSSYB104K16
	C 1231 (A,129,82)	CCSSCH151J50	C 2410 (B,163,92)	CCSSCH681J50
	C 1232 (A,129,83)	CKSSYB102K50	C 2412 (B,160,92) 0.1 uF	CCG1286
	C 1234 (A,142,83)	CCSSCH151J50	C 2414 (A,170,87)	CKSSYB104K10
	C 1237 (B,126,78)	CCG1311	C 2415 (A,166,84) 22 uF	CCG1254
	C 1238 (B,147,79)	CCG1311	C 2504 (B,163,13)	CKSSYB104K16
	C 1239 (A,142,94)	CKSSYB102K50	C 2506 (B,154,9)	CCSSCH221J50
	C 1271 (B,104,84) 1 uF	CCG1255	C 2509 (A,141,25)	CKSSYB104K10
	C 1272 (B,118,89) 0.1 uF	CCG1325	C 2512 (A,143,32)	CCSSCH390J50
C	C 1273 (B,120,89) 0.1 uF	CCG1325	C 2513 (A,166,15) 10 uF	DCH1201
	C 1274 (B,122,89) 0.1 uF	CCG1325	C 2514 (A,167,15) 10 uF	DCH1201
	C 1275 (B,124,89) 0.1 uF	CCG1325	C 3006 (A,94,9) 10 uF	CCG1192
	C 1276 (B,125,89) 0.1 uF	CCG1325	C 3007 (A,85,10)	CEVW101M16
	C 1277 (B,118,75) 1 uF	CCG1255	C 3125 (A,32,108)	CKSSYB471K50
	C 1278 (B,120,80) 1 uF	CCG1255	C 3126 (A,52,62)	CCSSCH102J50
	C 1279 (B,122,80) 1 uF	CCG1255	C 3127 (B,25,129)	CKSRYB102K50
	C 1280 (B,106,80) 1 uF	CCG1255	C 3128 (B,32,129)	CKSRYB102K50
	C 1282 (B,102,84) 1 uF	CCG1255	C 3129 (B,34,129)	CKSRYB102K50
	C 1283 (B,127,89) 1 uF	CCG1325	C 3130 (B,26,129)	CCSSCH101J50
	C 1301 (A,100,112) 4.7 uF	CCG1201	C 3151 (A,161,105)	CKSRYB104K50
	C 1302 (B,91,107)	CKSRYB103K50	C 3152 (A,151,105)	CKSRYB104K50
D	C 1303 (B,85,107)	CKSRYB103K50	C 3154 (A,137,107)	CKSRYB104K50
	C 1304 (B,93,108)	CKSRYB474K16	C 3156 (B,144,97)	CCSSCH271J50
	C 1305 (B,83,108)	CKSRYB474K16	C 3157 (B,145,92)	CKSRYB102K50
	C 1306 (A,93,111)	CKSQYB225K16	C 3161 (A,144,105) (B)	CCSSCH270J50
	C 1307 (A,87,111)	CCG1291	C 3162 (A,142,105) (B)	CCSSCH270J50
	C 1308 (A,82,109)	CKSRYB104K50	C 3163 (A,135,104) (B)	CCSSCH270J50
	C 1313 (A,82,97) 4 700 uF/16 V	CCH2085	C 3164 (A,133,104) (B)	CCSSCH270J50
	C 1315 (A,85,112) 0.1 uF	CCG1311	C 3165 (A,125,104) (B)	CCSSCH270J50
	C 1316 (A,84,108) 10 uF	CCG1192	C 3166 (A,124,104) (B)	CCSSCH270J50
	C 1318 (B,89,107)	CKSQYB474K25	C 3167 (A,147,103) 4.7 uF	CCG1201
	C 1319 (B,87,107)	CKSQYB474K25	C 3168 (A,139,103) 4.7 uF	CCG1201
E	C 1320 (A,89,111) 4.7 uF	CCG1291	C 3169 (A,137,103) 4.7 uF	CCG1201
	C 2010 (A,34,57)	CKSRYB105K10	C 3170 (A,130,103) 4.7 uF	CCG1201
	C 2011 (A,42,59)	CKSRYB105K10	C 3171 (A,128,103) 4.7 uF	CCG1201
	C 2017 (A,34,60)	CKSSYB104K10	C 3172 (A,121,103) 4.7 uF	CCG1201
	C 2202 (A,50,61)	CKSSYB104K10	C 3191 (B,160,98) 10 uF	DCH1201
	C 2203 (A,50,65)	CKSSYB104K10	C 3192 (B,154,97)	CKSSYB104K10
	C 2204 (A,51,64) 10 uF	DCH1201	C 3221 (B,75,72)	CKSSYB104K10
	C 2205 (A,40,65) 10 uF	DCH1201	C 3222 (B,77,72)	CKSSYB104K10
	C 2206 (A,43,77)	CKSSYB104K10	C 3231 (B,80,72)	CKSSYB104K10
	C 2208 (A,41,78)	CKSSYB224K6R3	C 3232 (B,113,73) 10 uF	CCG1192
F	C 2209 (A,41,79)	CKSSYB102K50	C 3233 (B,88,76)	CKSSYB104K10
	C 2210 (A,37,77)	CKSSYB104K10	C 3234 (B,113,71)	CKSSYB104K10
	C 2212 (A,36,90)	CCSSCH220J50	C 3235 (B,99,79)	CKSSYB104K10
	C 2213 (A,36,89)	CCSSCH271J50	C 3236 (B,86,72)	CKSRYB105K10

5		6		7		8	
<u>Circuit Symbol and No.</u>		<u>Part No.</u>		<u>Circuit Symbol and No.</u>		<u>Part No.</u>	
C 3237	(B,86,74)	CKSRYB105K10		R 5024	(A,137,24)	RS1/16SS82R0D	
C 3238	(B,92,81)	CKSRYB105K10		R 5025	(A,137,23)	RS1/16SS56R0D	
C 3239	(B,89,81)	CKSRYB105K10		R 5027	(A,132,28)	RS1/16SS82R0D	
C 3240	(B,110,72)	CKSRYB105K10		R 5028	(A,133,28)	RS1/16SS39R0D	A
C 3241	(B,108,68)	CKSRYB105K10		R 5030	(A,130,26)	RS1/16SS272J	
C 3242	(B,95,82)	CKSRYB105K10		R 5031	(A,139,26)	RS1/16SS272J	
C 3243	(B,95,81)	CKSRYB105K10		R 5032	(A,133,30)	RS1/16SS272J	
C 4014	(B,143,40)	CKSSYB102K50		R 5033	(A,78,9)	RS1/16SS183J	
C 4015	(B,150,20)	CKSSYB102K50		R 5038	(A,125,26)	RS1/16SS272J	
C 4016	(B,151,20)	CKSSYB102K50		R 5039	(A,126,28)	RS1/16SS1200D	
C 4017	(B,144,20)	CCSSCH180J50		R 5040	(A,127,28)	RS1/16SS39R0D	
C 4018	(B,142,20)	CCSSCH180J50		R 5041	(A,134,26)	RS1/16SS272J	
C 4019	(B,73,27)	CKSSYB102K50		R 5042	(A,134,27)	RS1/16SS82R0D	
C 4020	(B,73,30)	CKSSYB102K50		R 5043	(A,135,28)	RS1/16SS56R0D	
C 4023	(B,144,27)	CKSSYB102K50		R 5044	(A,128,30)	RS1/16SS272J	B
C 4039	(B,157,44)	CKSSYB221K50		R 5045	(A,129,32)	RS1/16SS82R0D	
C 4040	(B,158,45)	CKSSYB102K50		R 5046	(A,130,32)	RS1/16SS39R0D	
C 4041	(A,126,30)	CCSRCH102J50		R 5104	(B,116,56)	RS1/16SS104J	
				R 5105	(B,112,50)	RS1/16SS104J	

B

Unit Number : CXX7234

Unit Name : Service Unit(Monitor)

MISCELLANEOUS

IC 5001	(A,116,22) Interface IC	AK4187VN		R 5113	(A,119,55)	RS1/16SS3002D	C
IC 5101	(A,115,53) Display IC	OZ527ILN		R 5114	(A,121,55)	RS1/16SS1001D	
IC 5201	(A,28,57) DC/DC CONV IC	R1290K103A		R 5119	(B,121,57)	RS1/16SS105J	
Q 5001	(A,128,26) Chip Transistor	HN1C01FU		R 5121	(B,122,55)	RS1/16SS683J	
Q 5002	(A,136,26) Chip Transistor	HN1C01FU		R 5123	(A,112,56)	RS1/8SQ2R2J	
Q 5003	(A,131,30) Chip Transistor	HN1C01FU		R 5201	(A,31,63)	RS1/16SS8201D	
Q 5201	(A,33,63) Resistor Built-IN TR	LTC024EEB		R 5202	(A,31,61)	RS1/16SS6800D	
Q 5202	(A,21,59) Transistor	2SAR502UB		R 5203	(A,32,62)	RS1/16SS1502D	
Q 5301	(A,39,58) Bipolar TR	LSAR523UB		R 5206	(B,25,58)	RS1/16SS9102D	
Q 5302	(A,42,54) Bipolar TR	LSCR523UB		R 5207	(B,31,60)	RS1/16SS1802D	
D 5005	(A,137,19) Diode	DZ2S068C		R 5208	(B,31,59)	RS1/16SS203J	
D 5006	(A,138,19) Diode	DZ2S068C		R 5209	(B,31,55)	RS1/16SS104J	D
D 5101	(A,114,59) Diode	RB060M-30		R 5210	(A,22,58)	RS1/16SS103J	
D 5201	(A,23,50) Schottky Diode	RB162M-40		R 5211	(A,34,58)	RS1/16SS472J	
D 5202	(B,23,67) Schottky Diode	DB3S308F0		R 5212	(B,27,61)	RS1/16SS1003D	
D 5203	(B,25,66) Schottky Diode	DB3S308F0		R 5213	(B,28,62)	RS1/16SS9101D	
D 5204	(B,21,61) Schottky Diode	DB3S308F0		R 5214	(A,21,50)	RS1/8SQ2R2J	
L 5102	(A,109,60) Inductor	ATH7068		R 5216	(A,33,52)	RS1/16SS1203D	
L 5201	(A,23,54) Choke Coil 22 uH	CTH1426		R 5217	(A,33,54)	RS1/16SS3001D	
L 5301	(A,23,45) Inductor	CTF1635		R 5218	(A,34,54)	RS1/16SS1502D	
TH5001	(A,79,5) Thermistor	CCX1084		R 5219	(A,32,52)	RS1/16SS472J	
CN5001	(A,123,11) FFC/FPC Connector	CKS6625		R 5220	(A,30,51)	RS1/16SS0R0J	
CN5002	(A,129,52) FFC/FPC Connector	CKS6635		R 5231	(A,22,63)	RS1/16SS103J	E
CN5003	(A,59,63) FFC/FPC Connector	CKS6646		R 5232	(A,18,59)	RS1/16SS332J	
CN5004	(A,141,12) FFC/FPC Connector	CKS6635		R 5301	(A,63,16)	RS1/16SS4R7J	
CN5301	(A,35,25) FFC/FPC Connector	CKS6646		R 5302	(A,65,16)	RS1/16SS56R0D	
CN5501	(A,22,5) FFC/FPC Connector	CKS6421		R 5303	(A,66,16)	RS1/16SS1800D	
				R 5304	(A,65,17)	RS1/16SS2R2J	
				R 5305	(A,66,18)	RS1/16SS47R0D	
				R 5307	(A,66,20)	RS1/16SS39R0D	

RESISTORS

R 5006	(A,118,19)	RS1/16SS241J		R 5308	(A,65,21)	RS1/16SS4R7J	
R 5010	(A,120,21)	RS1/16SS681J		R 5309	(A,66,22)	RS1/16SS1000D	
R 5011	(A,120,23)	RS1/16SS181J		R 5310	(A,65,23)	RS1/16SS8R2J	F
R 5012	(A,119,25)	RS1/16SS560J		R 5311	(A,66,24)	RS1/16SS1300D	
R 5021	(A,129,25)	RS1/16SS1200D		R 5313	(A,66,26)	RS1/16SS1000D	
R 5022	(A,129,24)	RS1/16SS39R0D		R 5314	(A,65,27)	RS1/16SS8R2J	

1

Circuit Symbol and No.

R 5315 (A,66,28)
R 5316 (A,65,29)
R 5317 (A,66,30)
R 5319 (A,66,32)

A

R 5320 (A,65,33)
R 5321 (A,66,34)
R 5322 (A,67,36)
R 5323 (B,30,27)
R 5324 (B,25,27)

R 5325 (B,27,28)
R 5326 (B,28,28)
R 5331 (A,40,61)
R 5333 (A,39,60)
R 5335 (A,41,57)

B

R 5336 (A,39,55)
R 5337 (A,38,54)
R 5339 (A,36,50)
R 5340 (A,42,56)
R 5341 (A,40,56)

CAPACITORS

C 5001 (B,124,17)
C 5002 (B,123,15)
C 5003 (B,122,15)
C 5004 (B,120,18)
C 5005 (A,115,18) 10 uF

C

C 5006 (A,115,26) 10 uF
C 5007 (A,113,22)
C 5008 (A,116,19)
C 5015 (A,79,6)
C 5016 (A,79,9)

C 5017 (A,116,18) 1 uF
C 5018 (A,112,22) 1 uF
C 5101 (A,91,58) 10 uF
C 5103 (A,101,58) 10 uF
C 5104 (A,103,58) 10 uF

D

C 5105 (A,112,51)
C 5106 (A,110,53)
C 5108 (A,114,48)
C 5109 (A,115,48)
C 5110 (A,120,60) 10 uF

C 5113 (A,121,56)
C 5120 (A,110,56)
C 5201 (A,35,59)
C 5203 (A,36,62)
C 5204 (A,35,60)

E

C 5205 (A,28,62)
C 5206 (A,20,48)
C 5207 (A,28,52)
C 5208 (B,19,62)
C 5209 (B,31,53)

C 5210 (B,26,68)
C 5212 (B,27,65)
C 5213 (B,22,59)
C 5214 (B,23,64)
C 5215 (B,25,64)

F

C 5217 (A,25,63)
C 5218 (A,34,56)
C 5219 (A,19,52) 4.7 uF
C 5220 (A,30,63)

2

Part No.

RS1/16SS39R0D
RS1/16SS4R7J
RS1/16SS47R0D
RS1/16SS1800D

RS1/16SS2R2J
RS1/16SS33R0D
RS1/16SS2R4J
RS1/16SS473J
RS1/16SS473J

RS1/16SS473J
RS1/16SS473J
RS1/16SS153J
RS1/16SS105J
RS1/16SS153J

RS1/16SS472J
RS1/16SS101J
RS1/8SQ0R0J
RS1/16SS393J
RS1/16SS124J

CKSSYB103K16
CKSSYB103K16
CKSSYB103K16
CKSSYB103K16
CCG1244

CCG1244
CKSSYB104K10
CKSSYB104K10
CKSSYB104K10
CKSSYB104K10

DCH1246
DCH1246
CCG1236
CCG1236
CCG1236

CKSRYB105K16
CKSRYB105K16
CKSRYB105K10
CCSSCH101J50
CCG1236

CKSRYB224K16
CKSSYB332K50
CKSSYB224K6R3
CKSRYB105K10
CKSSYB224K6R3

CKSRYB224K16
CKSSYB472K50
CKSSYB102K50
CKSRYB105K16
CKSRYB105K10

CKSQYB105K25
CKSQYB105K25
CKSRYB104K50
CKSRYB104K50
CKSRYB104K50

CKSYB475K16
CKSRYB682K50
CCG1212
CCSSCH101J50

3

Circuit Symbol and No.

C 5221 (B,27,62)

C 5222 (A,25,49)
C 5224 (A,32,54)
C 5301 (A,68,16)
C 5302 (A,68,17)
C 5309 (A,68,24)

C 5310 (A,68,25)
C 5311 (A,68,26)
C 5312 (A,68,27)
C 5321 (B,30,32)
C 5323 (B,30,33)

C 5325 (A,24,41) 10 uF
C 5326 (A,25,45)
C 5329 (B,28,32)
C 5330 (B,27,32)
C 5331 (A,19,41) 10 uF

C 5334 (B,23,32)
C 5335 (A,16,39) 4.7 uF
C 5337 (A,16,44)
C 5340 (A,11,41)
C 5342 (A,21,30) 1 uF

C 5343 (A,39,61)
C 5344 (A,39,51) 10 uF

C**Unit Number : CWX4609****Unit Name : DVD Core Unit****MISCELLANEOUS**

IC 1002 (B,15,13) Regulator IC MM1886A50P
IC 1004 (B,64,28) IC NJM2855DL1-33
IC 1251 (A,12,41) IC BA5839FP
IC 1401 (B,28,40) Flash Memory IC S99-50243D
IC 1402 (B,46,28) Flash Memory IC S99-50243D

IC 1480 (A,65,30) RAM IC M12L64164A-5TG2Y
IC 1501 (A,39,33) IC MN2DS0018MA
IC 1953 (B,57,17) IC S-1135D12-A6
Q 1101 (B,13,59) Bipolar TR LSCR523UB
Q 1102 (B,14,56) Bipolar TR LSCR523UB

Q 1103 (B,10,62) Transistor 2SB1132
Q 1104 (B,22,54) Transistor 2SB1132
L 1501 (A,54,30) Inductor CTF1743
L 1511 (A,48,17) Chip Beads VTL1126
L 1902 (A,18,17) Inductor CTF1487

L 1903 (B,64,16) Inductor CTF1558
L 1904 (A,68,18) Resistor RS1/16SS0R0J
X 1501 (B,48,18) Crystal Resonator 27.000 MHz CSS1823
F 1001 (A,14,19) Chip EMI Filter DTF1106
F 1002 (B,64,18) Chip EMI Filter DTL1106

S 1 (A,47,55) Lever Switch CSN1090
S 3 (B,26,13) Lever Switch CSN1089
VR1101 (A,7,63) Semi-fixed CCP1447
VR1102 (A,7,59) Semi-fixed 15 kohm(B) CCP1449
CN1101 (A,21,63) FFC/FPC Connector CKS6631

CN1952 (A,42,11) Connector CKS6025

RESISTORS

R 1004 (B,12,20) RS1/16SS4702F

1

2

3

4

5		6		7		8	
<u>Circuit Symbol and No.</u>		<u>Part No.</u>		<u>Circuit Symbol and No.</u>		<u>Part No.</u>	
R 1007	(B,12,21)	RS1/16SS6801F		R 1526	(A,23,40)	RS1/16SS103J	
R 1019	(B,34,7)	RS1/16SS101J		R 1527	(A,35,48)	RS1/16SS682J	
R 1025	(B,36,6)	RS1/16SS101J		R 1528	(B,20,33)	RS1/16SS103J	
R 1027	(A,40,18)	RS1/16SS101J		R 1529	(B,35,21)	RS1/16SS103J	A
R 1101	(B,15,57)	RS1/16SS104J		R 1530	(B,18,33)	RS1/16SS103J	
R 1102	(B,11,56)	RS1/16SS104J		R 1531	(B,34,30)	RS1/16SS103J	
R 1103	(B,14,61)	RS1/16SS4300F		R 1533	(A,29,48)	RS1/16SS104J	
R 1104	(B,11,58)	RS1/16SS5100F		R 1534	(B,29,48)	RS1/16SS221J	
R 1105	(B,17,54)	RS1/16SS4300F		R 1535	(A,22,44)	RS1/16SS104J	
R 1106	(B,10,57)	RS1/16SS5600F		R 1536	(B,32,48)	RS1/16SS104J	
R 1109	(B,6,57)	RS1/16SS3R3J		R 1537	(A,25,46)	RS1/16SS104J	
R 1110	(B,16,54)	RS1/16SS3R3J		R 1538	(A,56,35)	RS1/16SS104J	
R 1111	(B,6,63)	RS1/10SR3R3J		R 1539	(B,34,48)	RS1/16SS104J	
R 1112	(B,5,58)	RS1/10SR3R3J		R 1540	(A,26,46)	RS1/16SS221J	
R 1113	(B,15,59)	RS1/10SR3R9J		R 1541	(A,26,45)	RS1/16SS221J	B
R 1114	(B,19,57)	RS1/10SR3R3J		R 1542	(B,27,34)	RS1/16SS103J	
R 1115	(B,6,61)	RS1/10SR2R7J		R 1546	(A,33,48)	RS1/16SS682J	
R 1116	(B,6,62)	RS1/10SR2R7J		R 1601	(A,32,17)	RS1/16SS123J	
R 1117	(B,18,59)	RS1/10SR3R9J		R 1602	(A,32,18)	RS1/16SS123J	
R 1118	(B,16,59)	RS1/10SR3R9J		R 1603	(B,31,20)	RS1/16SS1002D	
R 1223	(A,42,50)	RS1/16SS561J		R 1604	(A,24,21)	RS1/16SS105J	
R 1225	(B,29,7)	RS1/16SS471J		R 1605	(A,22,23)	RS1/16SS105J	
R 1251	(A,6,48)	RS1/16SS333J		R 1670	(B,40,19)	RS1/16SS1002D	
R 1252	(A,6,47)	RS1/16SS473J		R 1671	(B,43,19)	RS1/16SS2402D	
R 1253	(A,6,46)	RS1/16SS333J		R 1672	(A,39,18)	RS1/16SS2000D	C
R 1254	(A,6,45)	RS1/16SS473J		R 1674	(A,38,17)	RS1/16SS3002D	
R 1255	(A,22,48)	RS1/16SS183J		R 1982	(A,10,62)	RS1/16SS822J	
R 1256	(A,21,45)	RS1/16SS153J		R 1983	(B,41,19)	RS1/16SS1000D	
R 1257	(B,8,37)	RS1/16SS221J		R 1990	(B,35,19)	RS1/16SS2000D	
R 1258	(A,19,39)	RS1/16SS221J		R 1991	(B,31,16)	RS1/16SS101J	
R 1401	(B,34,28)	RS1/16SS221J		R 1996	(B,36,13)	RS1/16SS2000D	
R 1402	(B,35,47)	RS1/16SS104J		R 1997	(B,36,10)	RS1/16SS101J	
R 1405	(B,55,35)	RS1/16SS104J		R 2002	(B,43,10)	RS1/16SS2000D	
R 1406	(B,39,45)	RS1/16SS472J		R 2003	(B,43,8)	RS1/16SS101J	
R 1480	(A,73,24)	RAB4CQ560J		<u>CAPACITORS</u>			
R 1481	(A,73,28)	RAB4CQ560J		C 1002	(B,13,17)	CKSSYB104K16	D
R 1482	(A,73,32)	RAB4CQ560J		C 1003	(B,16,18)	CKSSYB104K16	
R 1483	(A,73,35)	RAB4CQ560J		C 1004	(B,15,17) 4.7 uF	CCG1201	
R 1484	(A,73,39)	RAB4CQ560J		C 1005	(B,41,11)	CKSRYB105K16	
R 1485	(A,55,22)	RAB4CQ560J		C 1010	(B,60,23)	CKSQYB225K10	
R 1486	(A,56,27)	RAB4CQ560J		C 1011	(B,64,22)	CKSRYB105K10	
R 1487	(A,56,37)	RAB4CQ560J		C 1015	(A,26,7)	CKSSYB102K50	
R 1488	(A,56,40)	RAB4CQ560J		C 1016	(B,64,15)	CKSSYB102K50	
R 1489	(A,54,29)	RS1/16SS560J		C 1018	(B,14,21)	CKSSYB104K10	
R 1490	(A,73,21)	RS1/16SS560J		C 1040	(B,59,12)	CCSRCH821J50	
R 1501	(B,49,20)	RS1/16SS122J		C 1041	(B,19,12)	CCSRCH271J50	E
R 1503	(B,47,20)	RS1/16SS105J		C 1101	(B,15,53) 10 uF	CCG1192	
R 1504	(A,50,17)	RS1/16SS121J		C 1104	(B,8,57)	CKSSYB104K10	
R 1509	(A,21,34)	RS1/16SS102J		C 1105	(B,18,54)	CKSSYB104K10	
R 1510	(A,11,29)	RS1/16SS102J		C 1106	(B,8,66)	CKSSYB103K16	
R 1512	(A,55,31)	RS1/16SS470J		C 1107	(B,26,53)	CKSSYB103K16	
R 1513	(A,23,38)	RS1/16SS203J		C 1108	(A,20,56)	CKSSYB103K16	
R 1514	(A,25,40)	RS1/16SS183J		C 1109	(A,7,57)	CKSRYB224K16	
R 1516	(A,25,36)	RS1/16SS104J		C 1110	(A,18,58)	CKSSYB103K16	
R 1517	(B,58,22)	RS1/16SS103J		C 1111	(A,9,66)	CKSRYB224K16	
R 1518	(B,34,31)	RS1/16SS103J		C 1112	(B,17,52) 22 uF	DCH1256	F
R 1522	(A,21,37)	RS1/16SS104J		C 1113	(B,9,58) 22 uF	DCH1256	
R 1523	(A,23,37)	RS1/16SS221J		C 1210	(B,77,33)	CKSSYB104K16	
R 1524	(B,29,33)	RS1/16SS472J		C 1251	(B,13,41)	CEVW101M16	
R 1525	(A,25,44)	RS1/16SS103J					

	1	2
	<u>Circuit Symbol and No.</u>	<u>Part No.</u>
	C 1252 (B,8,41) 4.7 uF	CCG1222
A	C 1253 (B,8,39)	CKSSYB104K16
	C 1254 (A,6,37)	CKSSYB104K16
	C 1255 (A,19,37)	CKSSYB104K16
	C 1401 (B,34,27)	CKSSYB104K16
	C 1403 (B,39,40)	CKSSYB104K10
	C 1408 (B,58,27)	CKSSYB104K10
	C 1410 (B,34,29)	CKSSYB104K16
	C 1480 (A,71,19)	CKSSYB104K10
	C 1481 (A,73,22)	CKSSYB104K10
	C 1482 (A,72,26)	CKSSYB104K10
B	C 1484 (A,73,30)	CKSSYB104K10
	C 1485 (A,73,41)	CKSSYB104K10
	C 1487 (A,58,29)	CKSSYB104K10
	C 1488 (A,57,25)	CKSSYB104K10
	C 1489 (A,65,17) 10 uF	CCG1192
	C 1490 (A,66,18)	CKSSYB102K50
	C 1501 (B,62,20) 10 uF	CCG1192
	C 1502 (B,55,19) 10 uF	CCG1192
	C 1503 (A,54,33)	CKSSYB104K10
	C 1504 (A,54,24)	CKSSYB104K10
C	C 1505 (A,54,27)	CKSSYB104K10
	C 1506 (B,53,34)	CKSSYB104K10
	C 1507 (A,54,36)	CKSSYB104K10
	C 1508 (A,54,38)	CKSSYB104K10
	C 1509 (A,54,42)	CKSSYB104K10
	C 1510 (B,51,18)	CCSSCH120J50
	C 1511 (A,49,18)	CKSSYB104K10
	C 1512 (B,46,18)	CCSSCH120J50
	C 1513 (A,48,47)	CKSSYB104K10
	C 1514 (B,45,20)	CKSSYB104K10
D	C 1515 (A,44,19)	CKSSYB104K10
	C 1516 (A,44,47)	CKSSYB104K10
	C 1517 (A,42,47)	CKSSYB104K10
	C 1518 (A,38,47)	CKSSYB104K10
	C 1519 (A,34,47)	CKSSYB104K10
	C 1520 (A,27,47)	CKSSYB104K10
	C 1521 (A,25,33)	CKSSYB104K10
	C 1522 (A,25,38)	CKSSYB104K10
	C 1523 (A,20,45)	CKSSYB104K10
	C 1524 (A,21,48)	CKSSYB473K16
E	C 1526 (A,25,37)	CKSSYB103K16
	C 1528 (B,30,48)	CCSSCH471J50
	C 1601 (A,32,19)	CKSSYB103K16
	C 1602 (A,34,17)	CCSSCH101J50
	C 1603 (A,34,18)	CCSSCH101J50
	C 1604 (A,30,17)	CCSSCH680J50
	C 1605 (A,30,18)	CCSSCH680J50
	C 1606 (A,35,19)	CKSSYB104K10
	C 1607 (A,20,24) 10 uF	CCG1192
	C 1608 (A,28,18) 4.7 uF	CCG1201
F	C 1609 (A,26,22)	CKSSYB104K10
	C 1612 (A,24,24)	CKSSYB104K10
	C 1613 (A,25,25)	CKSSYB104K10
	C 1614 (A,23,24)	CKSSYB104K10
	C 1615 (A,23,26)	CKSSYB104K10
	C 1616 (A,25,27)	CKSSYB104K10
	C 1617 (B,27,28)	CKSSYB104K10
	C 1618 (A,23,29)	CCSSCH101J50
	C 1619 (A,23,30)	CKSSYB562K25

	3	4
	<u>Circuit Symbol and No.</u>	<u>Part No.</u>
	C 1620 (B,27,30)	CKSSYB224K6R3
	C 1621 (A,23,31)	CKSSYB224K6R3
	C 1622 (A,25,31)	CKSSYB333K16
	C 1623 (A,27,20)	CKSRYB105K10
	C 1624 (A,25,32)	CKSSYB104K10
	C 1625 (A,25,29)	CKSSYB104K10
	C 1671 (A,42,19)	CKSSYB104K10
	C 1673 (A,37,17)	CKSSYB104K10
	C 1674 (B,42,20)	CKSSYB104K10
	C 1676 (B,38,20)	CKSRYB105K10
	C 1809 (B,40,17)	CKSSYB102K50
	C 1953 (B,60,17)	CKSRYB105K10
	C 1954 (B,55,17)	CKSRYB105K10
	C 1955 (B,77,40)	CKSSYB104K16
	C 1962 (B,40,20)	CKSRYB105K10

E
Unit Number : CXX7236
Unit Name : Service Unit(Keyboard)

MISCELLANEOUS

D 5501 (A,15,3) LED	SMLVN6RGB2UK(B)
D 5502 (A,151,3) LED	SMLVN6RGB2UK(B)
D 5503 (A,70,3) Diode	DZ2S068C
S 5501 (A,158,4) Push SW	CSG1196
S 5502 (A,143,3) Push SW	CSG1196
S 5503 (A,65,3) Push SW	CSG1196
S 5504 (A,50,3) Push SW	CSG1196
S 5505 (A,35,3) Push SW	CSG1196
S 5506 (A,130,3) Push SW	CSG1196
S 5507 (A,116,3) Push SW	CSG1196
S 5508 (A,101,3) Push SW	CSG1196
S 5509 (A,83,5) Push SW	CSG1196
U 5501 (A,7,5) Remote Receiver Unit	RS-470

RESISTORS

R 5502 (A,8,2)	RS1/16SS470J
R 5503 (A,96,2)	RS1/16SS392J
R 5504 (A,106,2)	RS1/16SS472J
R 5505 (A,126,2)	RS1/16SS123J
R 5506 (A,45,2)	RS1/16SS182J
R 5507 (A,59,2)	RS1/16SS222J
R 5508 (A,135,2)	RS1/16SS472J
R 5509 (A,18,4)	RS1/16SS150J
R 5510 (A,148,4)	RS1/16SS150J
R 5511 (A,15,6)	RS1/16SS620J
R 5512 (A,148,3)	RS1/16SS620J
R 5513 (A,17,6)	RS1/16SS390J
R 5514 (A,148,2)	RS1/16SS390J

CAPACITORS

C 5507 (A,6,2)	CKSSYB104K10
----------------	--------------

F
Unit Number : EXX2001
Unit Name : PCB Unit(Service)

MISCELLANEOUS

IC 101	Driver IC	BA6288FS
VR101	Volume 10 kohm	CCW1029
S 101	Switch(HOME)	CSN1067
S 102	Switch(HOME)	CSN1068
CN101	Connector	CKS4997

A

RESISTORS

R 101	RS1/16S221J
R 102	RS1/16S221J
R 103	RS1/16S0R0J

CAPACITORS

C 101	CEVW220M16
C 102	CKSRYB104K16

B

C

D

E

F