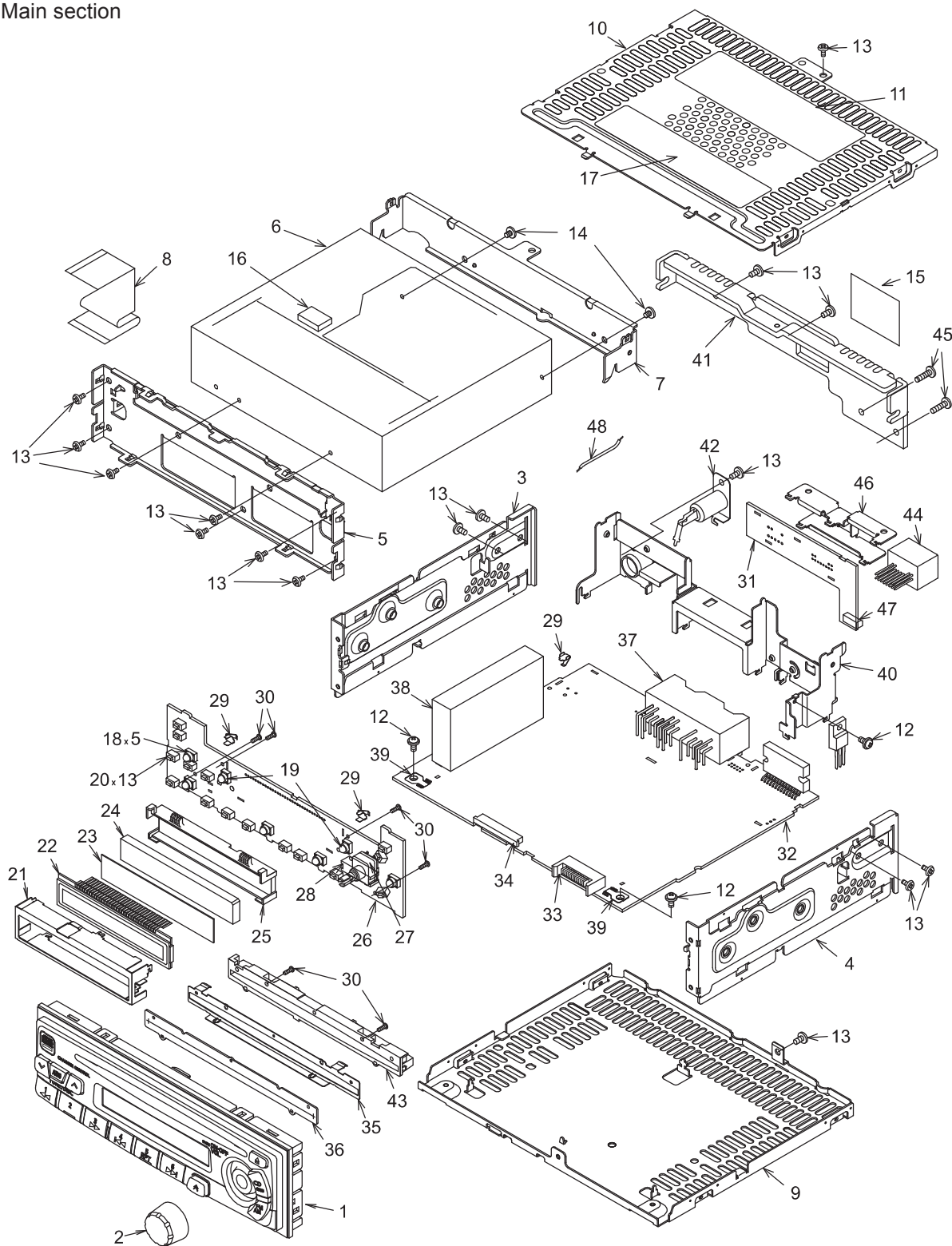


EXPLODED VIEW/PARTS LIST

Main section



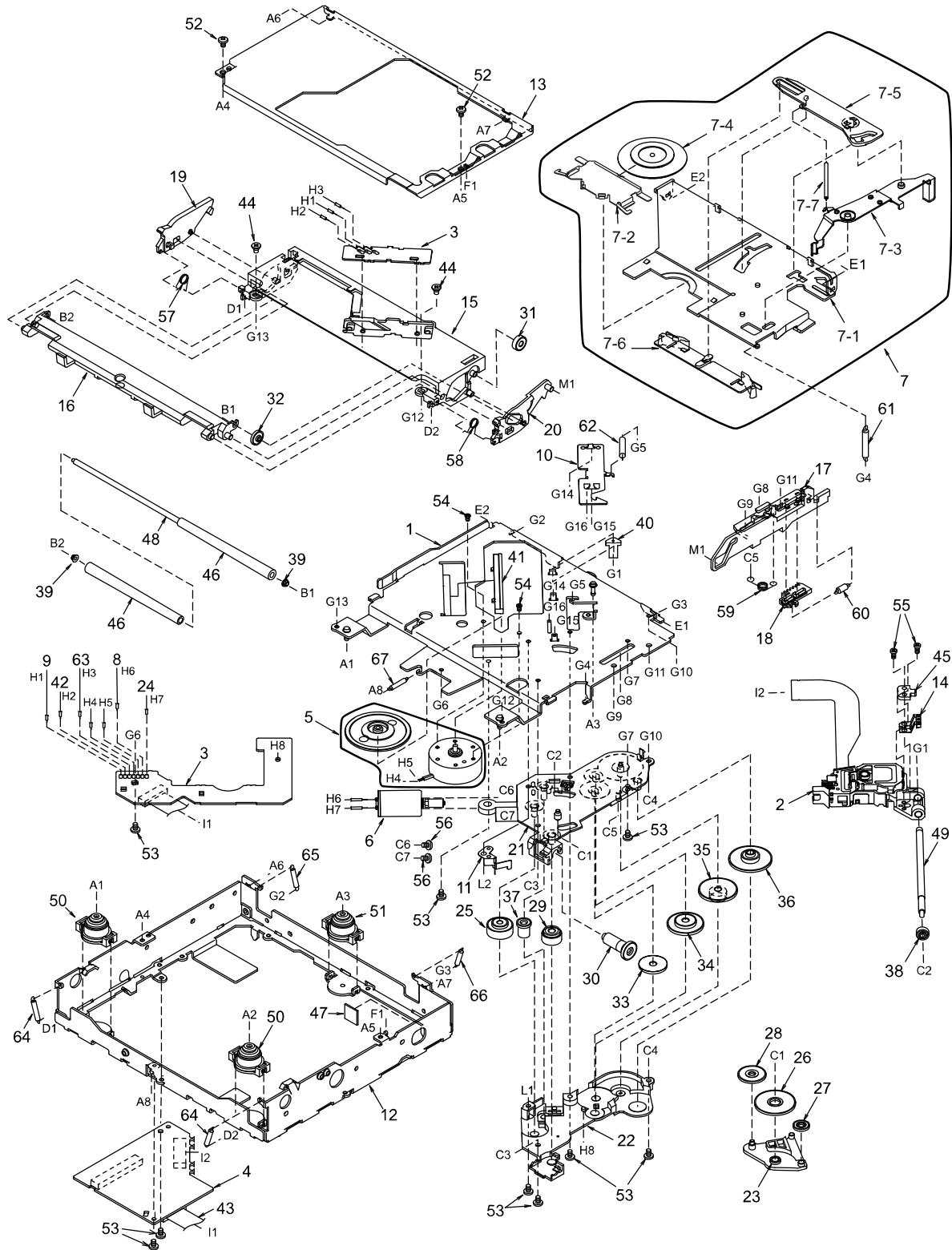
NO.	PART NO.	DESCRIPTION	Q'TY	NO.	PART NO.	DESCRIPTION	Q'TY
1	940-7963-60	ESCUTCHEON ASSY	1	7	331-3254-00	MECH BRKT	1
2	380-5463-00	KNOB	1	8	816-2549-00	FLAT WIRE	1
3	305-0311-00	SIDE PLATE(LH)	1	9	311-1833-00	LOWER CASE	1
4	305-0312-00	SIDE PLATE(RH)	1	10	310-1739-01	UPPER CASE	1
5	331-3253-00	ES PLATE	1	11	286-6731-00	SETPLATE	1
6	929-0290-83	CD MECH MODULE	1	12	716-0878-00	IT SCREW(M2.6 x 5)	3

NO.	PART NO.	DESCRIPTION	Q'TY	NO.	PART NO.	DESCRIPTION	Q'TY
13	714-2606-81	MACHINE SCREW	16	31	-----	SUB PWB	1
14	714-2603-89	MACHINE SCREW	2	32	-----	MAIN PWB	1
15	347-5206-00	SHIELD SHEET	1	33	076-0540-14	PLUG(20P)	1
16	345-5284-00	CUSHION RUBBER	1	34	074-1191-26	OUTLET SOCKET(26P)	1
17	285-1985-00	GUIDE LABEL(FCC)	1	35	331-3251-00	SHILED PLATE	1
18	017-0433-97	PILOTLAMP(14V40mA)	5	36	346-0142-10	LEATHER SHEET	1
19	017-0447-89	PILOTLAMP(8V105mA)	2	37	074-1068-11	OUTLET SOCKET(NS-10+6)	1
20	013-6305-51	SWITCH	13	38	880-1921T	AM/FM TUNER	1
21	331-2761-00	LCD COVER	1	39	073-0762-90	TERMINAL	2
22	379-1217-30	INDICATOR(LCD)	1	40	307-0683-00	REAR PLATE	1
23	335-6257-20	COLOR FILTER	1	41	313-1931-21	HEAT SINK	1
24	335-6256-20	LCD ILLUMI	1	42	092-0702-00	ANT-RECEPT	1
25	335-6164-00	ILLUMI HOLDER	1	43	335-6624-01	DISC GUIDE	1
26	-----	SWITCH PWB	1	44	074-1013-30	OUTLET SOCKET	1
27	016-0010-04	VR-W/SHAFT076-0648-20	1	45	714-2612-81	MACHINE SCREW(M2.6 x 12)	2
28	074-1151-14	OUTLET SOCKET(14P)	1	46	331-3252-00	OUTLET HOLDER	1
29	073-0774-00	TERMINAL	3	47	076-0544-12	PLUG	1
30	716-0872-00	PAD SCREW(M1.7 x 5)	6	48	800-0207-00	VINYL WIRE(BLACK)	1

CD mechanism section

NO.	PART NO.	DESCRIPTION	Q'TY	NO.	PART NO.	DESCRIPTION	Q'TY
1	966-1729-21	DRIVE PLATE ASSY	1	25	621-0608-21	SECOND GEAR	1
2	969-0065-32	PICK UP UNIT	1	26	621-0609-20	BASE GEAR	1
3	-----	LED PWB	1	27	621-0610-20	IDLE GEAR A	1
4	-----	CD PWB	1	28	621-0611-20	IDLE GEAR B	1
5	SMA-182-100	MOTOR ASSY(SPINDLE)	1	29	621-0612-21	ROLLER GEAR A	1
6	SMA-183-100	MOTOR ASSY(SLED)	1	30	621-0719-20	ROLLER GEAR B	1
7	HBS-533-100	CLAMPER SUB ASSY	1	31	621-0720-20	ROLLER GEAR C	1
7-1	620-1736-22	CLAMPER LINK	1	32	621-0721-20	ROLLER GEAR D	1
7-2	620-1742-20	CLAMPER PLATE	1	33	621-0616-20	POWER GEAR A	1
7-3	620-1737-21	SENSOR ARM	1	34	621-0617-20	POWER GEAR B	1
7-4	621-0708-20	CLAMPER RING	1	35	621-0618-20	POWER GEAR C	1
7-5	621-0626-21	STOPPER LINK	1	36	621-0619-20	POWER GEAR D	1
7-6	621-0627-21	DISC STOPPER	1	37	621-0620-20	THREAD GEAR A	1
7-7	750-3471-20	SENSOR SPRING	1	38	621-0621-20	THREAD GEAR B	1
8	803-4906-60	VINYL COAT WIRE(ORG)	1	39	621-1726-20	ROLLER SLEEVE	2
9	816-2591-00	LEAD WIRE(YEL)	1	40	621-0623-23	LS-HOLDER	1
10	620-1738-21	ID-LOCK PLATE	1	41	621-0624-22	GUIDE RAIL	1
11	620-1739-20	SPRING PLATE	1	42	816-2593-00	LEAD WIRE(PUR)	1
12	620-1027-28	LOWER CHASSIS	1	43	816-2542-01	FLAT WIRE(10P)	1
13	620-1740-22	UPPER CHASSIS	1	44	716-3473-01	IT SCREW(M2 x 3)	2
14	966-1747-20	SH-RACK ASSY	1	45	621-1729-20	SH-BASE	1
15	621-0598-27	UPPER GUIDE	1	46	621-0711-20	LOADING ROLLER	2
16	621-0718-21	ROLLER GUIDE	1	47	345-5476-20	CUSHION RUBBER	1
17	621-0600-26	SHIFT LEVER	1	48	622-1571-21	ROLLER SHAFT	1
18	621-1735-20	RACK	1	49	624-0020-00	LEAD SCREW	1
19	621-0602-22	LOCK ARM L	1	50	629-0081-21	DAMPER F	2
20	621-0603-25	LOCK ARM R	1	51	629-0082-21	DAMPER R	1
21	621-0724-21	GEAR BASE	1	52	714-2003-8B	MACHINE SCREW(M2 x 3)	2
22	621-0605-22	GEAR COVER	1	53	716-1507-01	SCREW(M2 x 3)	9
23	621-1719-20	IDLE CASE	1	54	716-1733-01	SCREW(M1.7 x 2.3)	2
24	816-2590-00	VINYL COAT WIRE(GRN)	1	55	716-3469-01	SCREW(3 x 4)	2

NO.	PART NO.	DESCRIPTION	Q'TY	NO.	PART NO.	DESCRIPTION	Q'TY
56	716-3551-00	SCREW(M1.4 x 2.5)	2	62	750-3470-20	ID-LOCK SPRING	1
57	750-3465-21	ROLLER SPRING L	1	63	816-2592-00	LEAD WIRE(BLU)	1
58	750-3466-20	ROLLER SPRING R	1	64	750-3472-21	DR-SPRING F	2
59	750-3467-21	SHIFT SPRING	1	65	750-3473-20	DR-SPRING RA	1
60	750-3468-20	RACK SPRING	1	66	750-3474-20	DR-SPRING RB	1
61	750-3469-20	CLAMPER SPRING	1	67	750-3475-21	DR-SPRING C	1



ELECTRICAL PARTS LIST

Main PWB section(B1)

Note) Several different parts of the same reference number are alternative parts.
One of those parts is used in the set.

REF No.	PART No.	DESCRIPTION	REF No.	PART No.	DESCRIPTION	REF No.	PART No.	DESCRIPTION
BL101	880-1921T	AM/FM TUNER	C345	187-1063-37	16V 10uF	D704	001-0466-90	S5688B
C105	166-1511-50	150pF CH	C346	187-1063-37	16V 10uF	D802	001-0529-48	MA8091-H
C114	166-1007-50	10pF CH	C405	168-1022-55	1000pF K	D803	001-0516-90	MA111
C115	043-0277-51	0.022uF	C406	168-1022-55	1000pF K	D804	001-0627-90	U1BC44
C117	043-0277-51	0.022uF	C407	168-1022-55	1000pF K	D805	001-0516-90	MA111
C118	168-1022-55	1000pF K	C409	187-1063-37	16V 10uF	D806	001-0504-31	HZS6 A2L
C119	187-1073-27	10V100uF	C410	187-1063-37	16V 10uF	D808	001-0504-45	HZS9B1L
C120	042-1458-90	50V 1uF LN	C411	187-1063-37	16V 10uF	D810	001-0529-46	MA8091-L
C122	187-1073-27	10V100uF	C412	187-1063-37	16V 10uF	IC102	051-6212-08	LC72191JM-TLM
C123	187-1073-27	10V100uF	C553	117-0000-05	1/8W 0 ohm JW	IC201	052-3180-30	M30620MCA-AE8GP
C125	187-4763-37	16V47uF	C554	117-0000-05	1/8W 0 ohm JW	IC202	051-5436-08	S-80933CNMC-G83(ANMP-DDX)
C126	178-1052-78	1uF	C555	117-0000-05	1/8W 0 ohm JW	IC302	051-5027-00	LC75412WH
C127	168-8222-55	8200pF K	C556	117-0000-05	1/8W 0 ohm JW	IC506	051-2042-00	TA8275H
C128	168-4732-78	0.047uF K	C565	168-1032-55	0.01uF K	IC507	051-3020-90	NJM4565V
C129	168-4732-78	0.047uF K	C566	168-2232-55	0.022uF K	IC701	051-5418-08	S-80827ANMP-EDQ
C130	166-1201-50	12pF CH	C567	168-1032-55	0.01uF K	IC702	051-3341-90	BD3931FP
C131	166-2201-50	22pF CH	C568	178-3932-78	0.039uF	J201	074-1191-26	OUTLET
C132	166-2201-50	22pF CH	C569	178-3932-78	0.039uF	J701	074-1068-11	OUTLET
C133	166-1501-50	15pF CH	C570	178-3932-78	0.039uF			SOCKET(26P)
C134	168-1022-55	1000pF K	C571	178-3932-78	0.039uF			SOCKET(NS-10+6)
C135	168-1042-78	0.1uF	C573	187-1053-67	50V 1uF	L104	010-2003-04	30uH
C136	168-1042-78	0.1uF	C574	188-2253-68	50V 2.2uF	L105	010-6009-76	22uH J
C137	166-2201-50	22pF CH	C576	178-1052-78	1uF	L202	010-6009-64	2.2uH J
C138	166-1801-50	18pF CH	C583	178-2242-78	0.22uF	L701	009-0670-01	180uH
C139	166-1801-50	18pF CH	C701	172-1041-15	0.1uF	P701	076-0540-14	PLUG(14P)
C140	188-4763-38	16V 47uF	C702	042-1447-00	16V 2200uF	Q106	190-1150-00	2SA1150
C141	168-2232-55	0.022uF K	C703	168-2222-55	2200pF K	Q107	125-2026-91	UN5211
C201	168-1022-55	1000pF K	C704	168-2222-55	2200pF K	Q108	190-1150-00	2SA1150
C202	168-1022-55	1000pF K	C705	168-2222-55	2200pF K	Q202	192-4116-51	2SC4116 G,L
C203	166-1011-50	100pF CH	C706	168-2222-55	2200pF K	Q203	192-4116-51	2SC4116 G,L
C204	166-1011-50	100pF CH	C707	168-2222-55	2200pF K	Q401	192-4116-00	2SC4116
C205	166-1011-50	100pF CH	C708	168-2222-55	2200pF K	Q402	125-9006-90	IMX1
C206	166-1011-50	100pF CH	C709	168-2222-55	2200pF K	Q403	125-2026-91	UN5211
C207	168-1022-55	1000pF K	C710	168-2222-55	2200pF K	Q404	125-0020-91	UN5111
C210	166-1011-50	100pF CH	C711	168-2222-55	2200pF K	Q701	192-4116-00	2SC4116
C211	166-1011-50	100pF CH	C712	172-1041-15	0.1uF	Q801	193-2118-00	2SD2118F5 Q,R,S
C213	188-4763-18	6.3V 47uF	C713	187-1063-37	16V 10uF	Q802	125-2026-91	UN5211
C214	168-1042-78	0.1uF	C714	188-6843-68	50V 0.68uF	Q803	190-1150-00	2SA1150
C215	172-1041-15	0.1uF	C715	168-2232-55	0.022uF K	Q804	125-2026-91	UN5211
C216	168-1042-78	0.1uF	C716	178-1042-55	0.1uF	Q805	125-0020-91	UN5111
C217	042-0403-55	16V 33uF	C802	187-4763-37	16V 47uF	Q807	131-1188-00	2SB1188
C219	168-1022-55	1000pF K	C804	189-1073-48	25V 100uF	Q808	125-2026-95	UN521N
C301	168-4722-55	4700pF K	C805	042-0403-55	16V 33uF	Q811	193-1664-00	2SD1664 P,Q,R
C303	188-4763-38	16V 47uF	C806	187-1063-37	16V 10uF	Q812	125-9003-92	IMD3
C305	166-2201-50	22pF CH	C807	187-1063-37	16V 10uF	Q813	103-2012-00	2SD2012
C306	189-2273-28	10V 220uF	C808	168-1042-78	16V 0.1uF	Q814	125-9003-92	IMD3
C307	188-1063-38	16V 10uF	C809	189-4773-39	16V 470uF	Q816	193-2118-00	2SD2118F5 Q,R,S
C315	187-2263-37	16V 22uF	C810	188-4756-58	35V 4.7uF	Q817	193-1306-00	2SD1306
C316	178-1052-78	1uF	C811	168-1042-78	0.1uF	Q818	192-4116-00	2SC4116
C318	178-1042-78	0.1uF	C812	168-1042-78	0.1uF	R111	119-2221-15	1/10W 2.2k ohm
C319	178-1042-78	0.1uF	C813	188-1063-38	16V 10uF	R112	119-2221-15	1/10W 2.2k ohm
C321	178-1052-78	1uF	C814	168-1042-78	0.1uF	R113	119-1821-15	1/10W 1.8k ohm
C322	178-4742-78	0.47uF	C815	168-1042-78	0.1uF	R114	119-2701-15	1/10W 27 ohm
C323	178-4742-78	0.47uF	C816	166-5611-50	560pF CH	R115	119-2221-15	1/10W 2.2k ohm
C324	168-1222-55	1200pF K	CCT201	050-0145-52	1/16W 1k ohm x4	R116	119-1501-15	1/10W 15 ohm
C325	187-1053-67	50V 1uF	CCT202	050-0145-52	1/16W 1k ohm x4	R117	119-4721-15	1/10W 4.7k ohm
C326	187-1053-67	50V 1uF	CCT203	050-0145-52	1/16W 1k ohm x4	R118	119-4741-15	1/10W 470k ohm
C327	168-1222-55	1200pF K	CCT204	050-0145-52	1/16W 1k ohm x4	R119	119-1001-15	1/10W 10 ohm
C332	178-1842-78	0.18uF	CCT205	050-0145-52	1/16W 1k ohm x4	R120	119-2221-15	1/10W 2.2k ohm
C333	178-1842-78	0.18uF	CCT207	050-0145-52	1/16W 1k ohm x4	R121	119-1031-15	1/10W 10k ohm
C334	178-1842-78	0.18uF	CCT209	050-0145-52	1/16W 1k ohm x4	R122	119-1021-15	1/10W 1k ohm
C335	178-1842-78	0.18uF	CCT210	050-0145-52	1/16W 1k ohm x4	R123	119-1031-15	1/10W 10k ohm
C336	168-8212-55	820pF K	CCT211	050-0145-52	1/16W 1k ohm x4	R124	119-2221-15	1/10W 2.2k ohm
C337	168-8212-55	820pF K	CCT212	050-0145-52	1/16W 1k ohm x4	R126	119-8201-15	1/10W 82 ohm
C338	168-8212-55	820pF K	CCT213	050-0145-52	1/16W 1k ohm x4	R128	119-4721-15	1/10W 4.7k ohm
C339	168-8212-55	820pF K	CCT214	050-0145-52	1/16W 1k ohm x4	R130	119-4731-15	1/10W 47k ohm
C340	187-1063-37	16V 10uF	D401	001-4305-39	UDZSTE-17 36B	R201	119-1021-15	1/10W 1k ohm
C341	187-1063-37	16V 10uF	D402	001-0516-90	MA111	R202	119-1021-15	1/10W 1k ohm
C342	168-1832-55	0.018uF K	D403	001-0516-90	MA111	R203	119-1031-15	1/10W 10k ohm
C343	187-1063-37	16V 10uF	D701	001-2015-00	RL253	R205	119-1031-15	1/10W 10k ohm
C344	187-1063-37	16V 10uF	D703	001-0529-34	MA8062-L			

REF No.	PART No.	DESCRIPTION	REF No.	PART No.	DESCRIPTION	REF No.	PART No.	DESCRIPTION
R206	119-4731-15	1/10W 47k ohm	R406	119-5621-15	1/10W 5.6k ohm	R598	119-5631-15	1/10W 56k ohm
R207	119-4731-15	1/10W 47k ohm	R407	119-5621-15	1/10W 5.6k ohm	R599	119-1031-15	1/10W 10k ohm
R208	119-4731-15	1/10W 47k ohm	R408	119-5631-15	1/10W 56k ohm	R619	119-4721-15	1/10W 4.7k ohm
R209	119-1041-15	1/10W 100k ohm	R409	119-5631-15	1/10W 56k ohm	R701	119-1031-15	1/10W 10k ohm
R210	119-1041-15	1/10W 100k ohm	R410	119-1031-15	1/10W 10k ohm	R702	119-5611-15	1/10W 560 ohm
R211	119-4731-15	1/10W 47k ohm	R411	119-1031-15	1/10W 10k ohm	R703	116-1531-15	1/4W 15k ohm
R214	119-4731-15	1/10W 47k ohm	R412	119-5631-15	1/10W 56k ohm	R704	114-2291-11	1W 2.2 ohm
R215	119-4731-15	1/10W 47k ohm	R413	119-1031-15	1/10W 10k ohm	R705	119-2731-15	1/10W 27k ohm
R216	119-4731-15	1/10W 47k ohm	R414	119-3011-15	1/10W 300 ohm	R706	119-4731-15	1/10W 47k ohm
R221	119-4731-15	1/10W 47k ohm	R415	119-3011-15	1/10W 300 ohm	R707	116-2721-15	1/4W 2.7k ohm
R222	119-4731-15	1/10W 47k ohm	R416	119-4731-15	1/10W 47k ohm	R803	116-4711-15	1/4W 470 ohm
R223	119-1031-15	1/10W 10k ohm	R417	119-2231-15	1/10W 22k ohm	R804	116-1021-15	1/4W 1k ohm
R224	119-1031-15	1/10W 10k ohm	R418	032-0106-64	1/10W 56k ohm D	R805	119-2231-15	1/10W 22k ohm
R225	119-1031-15	1/10W 10k ohm	R419	032-0106-64	1/10W 56k ohm D	R806	119-4741-15	1/10W 470k ohm
R226	119-4731-15	1/10W 47k ohm	R420	032-0106-64	1/10W 56k ohm D	R808	116-1221-15	1/4W 1.2k ohm
R227	119-4731-15	1/10W 47k ohm	R421	032-0106-64	1/10W 56k ohm D	R809	116-1091-15	1/4W 1 ohm
R229	119-4731-15	1/10W 47k ohm	R422	119-4731-15	1/10W 47k ohm	R810	116-2211-15	1/4W 220 ohm
R232	119-2231-15	1/10W 22k ohm	R501	119-0000-05	1/10W 0 ohm JW	R811	119-1031-15	1/10W 10k ohm
R235	119-1031-15	1/10W 10k ohm	R502	119-0000-05	1/10W 0 ohm JW	R814	116-2211-15	1/10W 220 ohm
R236	119-4731-15	1/10W 47k ohm	R503	119-0000-05	1/10W 0 ohm JW	R815	119-1041-15	1/10W 100k ohm
R239	119-4731-15	1/10W 47k ohm	R504	119-0000-05	1/10W 0 ohm JW	R818	116-3911-15	1/4W 390 ohm
R240	119-1041-15	1/10W 100k ohm	R526	119-0000-05	1/10W 0 ohm JW	R819	119-1041-15	1/10W 100k ohm
R241	119-4731-15	1/10W 47k ohm	R527	119-0000-05	1/10W 0 ohm JW	R825	116-1801-15	1/4W 18 ohm
R242	119-4721-15	1/10W 4.7k ohm	R530	119-0000-05	1/10W 0 ohm JW	R826	119-5611-15	1/10W 560 ohm
R243	119-1021-15	1/10W 1k ohm	R531	119-0000-05	1/10W 0 ohm JW	R827	119-4721-15	1/10W 4.7k ohm
R245	119-1031-15	1/10W 10k ohm	R573	119-0000-05	1/10W 0 ohm JW	R828	116-1831-15	1/4W 18k ohm
R301	119-1021-15	1/10W 1k ohm	R574	119-0000-05	1/10W 0 ohm JW	R829	116-1801-15	1/4W 18 ohm
R302	119-1021-15	1/10W 1k ohm	R585	119-1831-15	1/10W 18k ohm	R833	116-3911-15	1/4W 390 ohm
R308	119-4731-15	1/10W 47k ohm	R588	119-0000-05	1/10W 0 ohm JW	SUP101	060-0122-90	DSP-201M-S00B
R310	119-4731-15	1/10W 47k ohm	R589	119-0000-05	1/10W 0 ohm JW	TH502	002-0222-00	PTH61G30BD
R334	119-1821-15	1/10W 1.8k ohm	R590	119-1021-15	1/10W 1k ohm	TM101	073-0762-90	TERMINAL
R335	119-1821-15	1/10W 1.8k ohm	R591	119-2221-15	1/10W 2.2k ohm	TM801	073-0762-90	TERMINAL
R336	119-3931-15	1/10W 39k ohm	R592	119-2221-15	1/10W 2.2k ohm	VR102	012-5203-56	10k ohm
R337	119-3931-15	1/10W 39k ohm	R593	119-2221-15	1/10W 2.2k ohm	X101	061-1066-80	7.2MHz
R342	119-4721-15	1/10W 4.7k ohm	R594	119-2221-15	1/10W 2.2k ohm	X201	060-1505-50	CSTCC10.0MG-TC
R343	119-4721-15	1/10W 4.7k ohm	R595	119-5631-15	1/10W 56k ohm	Z105	092-0702-00	ANT RECEIPT
R346	119-4721-15	1/10W 4.7k ohm	R596	119-5631-15	1/10W 56k ohm	PWB	039-2723-00	PWB (WITHOUT COMPONENT)
R347	119-4721-15	1/10W 4.7k ohm	R597	119-5631-15	1/10W 56k ohm			

Switch PWB section(B2)

REF No.	PART No.	DESCRIPTION	REF No.	PART No.	DESCRIPTION	REF No.	PART No.	DESCRIPTION
C901	168-1042-78	0.1uF	PL901	017-0447-89	8V105mA	S903	013-6305-50	SKQMAH
C902	168-1042-78	0.1uF	PL902	017-0447-89	8V105mA	S904	013-6305-50	SKQMAH
C903	168-6812-55	680pF	PL903	017-0433-97	14V40mA	S905	013-6305-50	SKQMAH
C904	168-1042-78	16V 0.1uF	PL904	017-0433-97	14V40mA	S906	013-6305-50	SKQMAH
C905	042-0423-92	6.3V 4.7uF	PL905	017-0433-97	14V40mA	S907	013-6305-50	SKQMAH
C906	042-0423-92	6.3V 4.7uF	PL906	017-0433-97	14V40mA	S908	013-6305-50	SKQMAH
CCT901	050-0140-54	1/32W 1k ohm x4J	PL907	017-0433-97	14V40mA	S909	013-6305-50	SKQMAH
CCT902	050-0140-54	1/32W 1k ohm x4J	R902	119-6831-15	1/10W 68k ohm	S910	013-6305-50	SKQMAH
D901	001-0516-90	MA111	R903	119-1021-15	1/10W 1k ohm	S911	013-6305-50	SKQMAH
D902	001-0516-90	MA111	R904	119-1021-15	1/10W 1k ohm	S912	013-6305-50	SKQMAH
D903	001-0516-90	MA111	R905	119-1021-15	1/10W 1k ohm	S913	013-6305-50	SKQMAH
D904	001-0516-90	MA111	R906	119-1021-15	1/10W 1k ohm	S914	013-6305-50	SKQMAH
D905	001-0516-90	MA111	R907	119-1021-15	1/10W 1k ohm	S915	013-6305-50	SKQMAH
D906	001-0516-90	MA111	R908	119-1021-15	1/10W 1k ohm	VR903	016-0010-04	ROTALY ENCODER
D907	001-0516-90	MA111	R909	119-1021-15	1/10W 1k ohm	PWB	039-1989-21	PWB (WITHOUT COMPONENT)
D908	001-0516-90	MA111	R910	119-1021-15	1/10W 1k ohm			
IC901	051-6000-20	LC75853NW	S901	013-6305-50	SKQMAH			
J901	074-1151-14	14P	S902	013-6305-50	SKQMAH			

Sub PWB section(B3)

REF No.	PART No.	DESCRIPTION	REF No.	PART No.	DESCRIPTION
J1001	074-1013-30	OUTLET SOCKET	PWB	039-2325-00	PWB (WITHOUT COMPONENT)
P1001	076-0544-12	12P			

CD PWB section(B4):CD mechanism

REF No.	PART No.	DESCRIPTION	REF No.	PART No.	DESCRIPTION	REF No.	PART No.	DESCRIPTION
C1	168-1042-78	16V 0.1uF	C34	168-1042-78	16V 0.1uF	R9	033-2211-15	1/10W 220 ohm
C3	163-2273-05	4V 220uF	C35	046-6812-58	680pF	R11	033-1051-15	1/10W 1M ohm
C4	168-1042-78	16V 0.1uF	C36	168-1042-78	16V 0.1uF	R12	119-6811-15	1/10W 680 ohm
C5	163-1073-35	16V 100uF	C37	168-1042-78	16V 0.1uF	R13	033-2211-15	1/10W 220 ohm
C6	163-1073-35	16V 100uF	C38	046-1522-58	1500pF	R14	033-2211-15	1/10W 220 ohm
C7	168-1042-78	16V 0.1uF	C39	046-4722-58	4700pF	R16	033-2231-15	1/10W 22k ohm
C9	178-1052-78	1uF	C40	046-1032-78	0.01uF	R18	033-3341-15	1/10W 330k ohm
C10	042-0560-85	6.3V 100uF	C41	046-1532-78	0.015uF	R19	033-5621-15	1/10W 5.6k ohm
C11	046-4712-58	470pF	C43	168-1042-78	16V 0.1uF	R21	033-2231-15	1/10W 22k ohm
C12	178-1052-78	1uF	C47	045-4701-50	47pF	R22	033-4731-15	1/10W 47k ohm
C13	046-4712-58	470pF	C48	168-1042-78	16V 0.1uF	R24	033-1041-15	1/10W 100k ohm
C15	168-1042-78	16V 0.1uF	C49	168-1042-78	16V 0.1uF	R25	033-1031-15	1/10W 10k ohm
C16	168-4732-78	0.047uF	C50	042-0666-00	12.5V 22uF	R26	033-1531-15	1/10W 15k ohm
C17	168-4732-78	0.047uF	C51	046-5622-58	5600pF	R27	033-4731-15	1/10W 47k ohm
C18	168-1042-78	16V 0.1uF	C52	178-1052-78	1uF	R28	033-1831-15	1/10W 18k ohm
C19	168-1042-78	16V 0.1uF	C55	178-1052-78	1uF	R29	033-6821-15	1/10W 6.8k ohm
C21	046-6822-58	6800pF	CCT2	050-0140-63	1/32W 47k ohm x4J	R30	033-8231-15	1/10W 82k ohm
C22	046-3332-78	0.033uF	D1	001-0367-91	1SS226	R31	033-8231-15	1/10W 82k ohm
C24	178-1052-78	1uF	IC1	051-6071-08	BA5825FP-E2	R32	119-1001-15	1/10W 10 ohm
C25	168-1042-78	16V 0.1uF	IC2	051-6399-00	TC94A15F	R33	033-2731-15	1/10W 27k ohm
C26	168-1042-78	16V 0.1uF	J101	074-1228-76	26P	R34	033-2731-15	1/10W 27k ohm
C28	168-1042-78	16V 0.1uF	J201	074-1138-65	15P	R35	033-2731-15	1/10W 27k ohm
C29	168-1042-78	16V 0.1uF	J301	074-1138-60	10P	R36	033-2731-15	1/10W 27k ohm
C30	045-6801-50	68pF	Q1	131-1188-50	2SB1188PQR	R37	032-0162-50	1/10W 0.51 ohm
C31	168-1042-78	16V 0.1uF	Q2	131-1188-50	2SB1188PQR	X1	060-1535-90	16.934MHz
C32	168-1042-78	16V 0.1uF	R1	117-6811-15	1/8W 680 ohm	PWB	039-2435-20	PWB (WITHOUT COMPONENT)
C33	046-1532-78	0.015uF	R2	117-1001-15	1/8W 10 ohm			

LED PWB section(B5):CD mechanism

REF No.	PART No.	DESCRIPTION	REF No.	PART No.	DESCRIPTION	REF No.	PART No.	DESCRIPTION
D1	001-7058-90	AN1105W-RR	Q1	060-4015-90	PS1192H	S2	013-7413-50	LIMIT
D2	001-7058-90	AN1105W-RR	Q2	060-4015-90	PS1192H	PWB	039-1944-21	PWB (WITHOUT COMPONENT)
J1	074-1138-60	10P	S1	013-7414-50	CHUCKING			