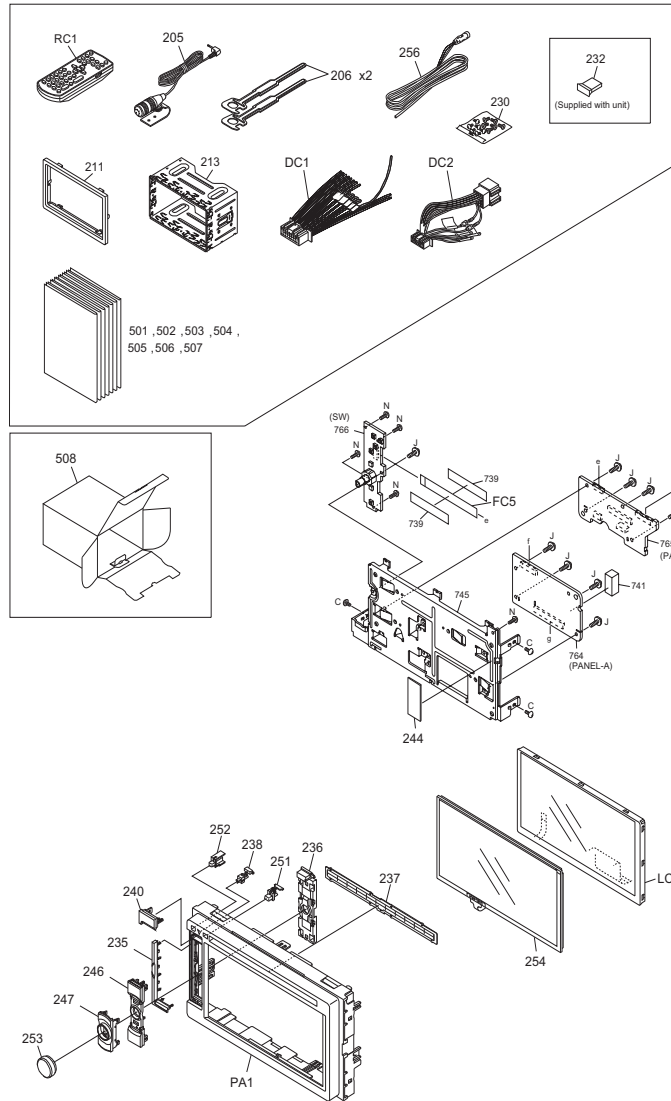
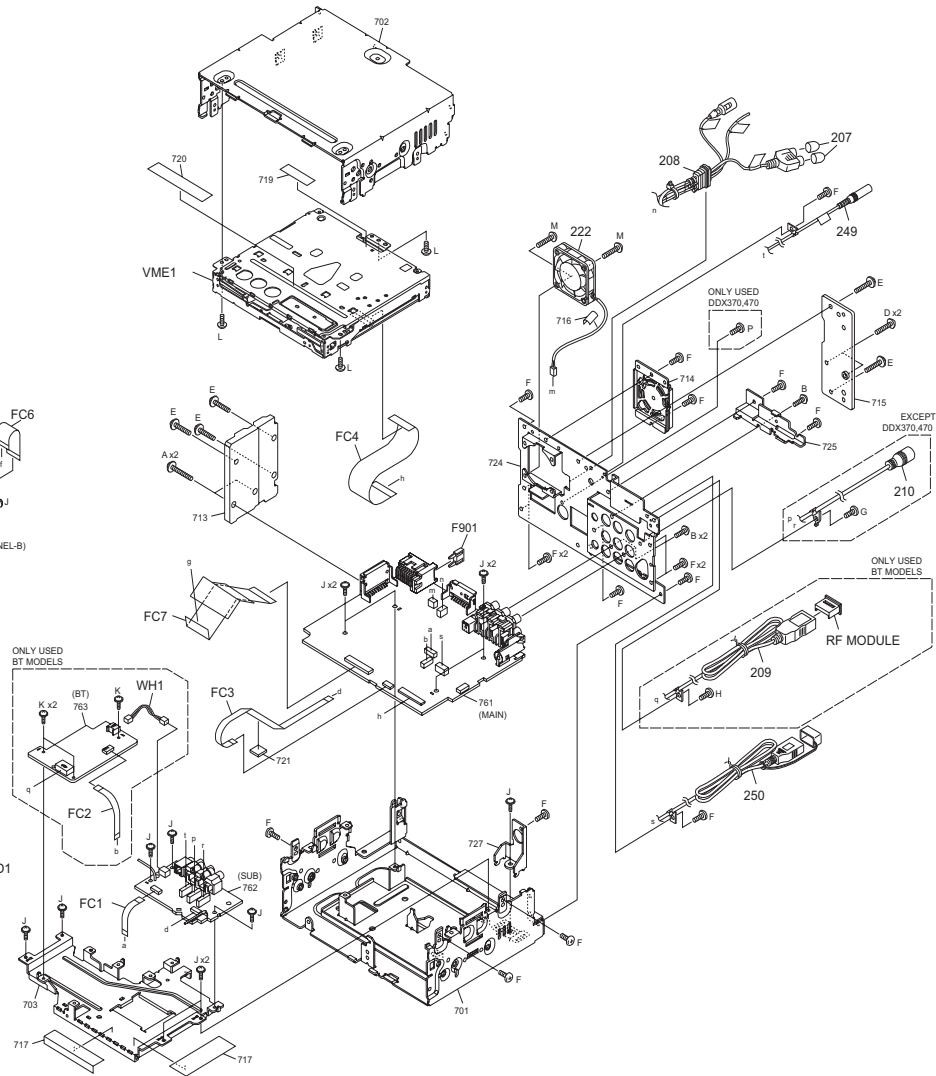


EXPLODED VIEW (UNIT)



Block No.200



Parts with the exploded numbers larger than 700 are not supplied.

created date:2013-01-08

MODEL	MARK	MODEL	MARK	MODEL	MARK	MODEL	MARK
DDX3023	E1	DDX3053	Q1	DDX3070	R1	DDX370	K1
DDX4023BT	E2	DDX4053BT	Q2	DDX4070BT	R2	DDX470	K2

Safe	Symbol No.	Parts No.	Parts Name	Description	QTY	Local
EXPLODED VIEW (UNIT) <200>						
	DC1	E30-8232-08	DC CORD		1	R1,K1,R2,K2
	DC2	E30-8233-08	DC CORD		1	E1,Q1,E2,Q2
△	F901	F52-0023-05	FUSE	10A	1	
	FC1	E39-1289-08	FFC WIRE	14pin 5cm	1	
	FC2	E39-1228-08	FFC WIRE	12pin 7cm	1	E2,Q2,R2,K2
	FC3	E39-1229-08	FFC WIRE	12pin 16cm	1	
	FC4	E39-1230-08	FFC WIRE	50pin 13cm	1	
	FC5	E39-1336-08	FFC WIRE	15pin 6cm	1	
	FC6	E39-1226-08	FFC WIRE	30pin 5cm	1	
	FC7	E39-1299-08	E-CARD WIRE		1	
	LCD1	B38-1249-05	LCD PANEL UNIT		1	
	PA1	A64-5519-08	FRONT PANEL		1	E1
	PA1	A64-5520-08	FRONT PANEL		1	Q1
	PA1	A64-5518-08	FRONT PANEL		1	R1
	PA1	A64-5517-08	FRONT PANEL		1	K1
	PA1	A64-5515-08	FRONT PANEL		1	E2
	PA1	A64-5516-08	FRONT PANEL		1	Q2
	PA1	A64-5514-08	FRONT PANEL		1	R2
	PA1	A64-5513-08	FRONT PANEL		1	K2
	RC1	A70-2083-15	REMOCON		1	R1,R2
	VME1	D40-2252-08	DVD MECHA MODULE		1	
	WH1	E39-1292-08	E-SI C WIRE C-C		1	E2,Q2,R2,K2
	A	N09-6837-08	SPECIAL SCREW		2	
	B	N09-6871-08	TAPPING SCREW	M3 x 10mm	3	
	C	N86-2004-48	TAPPING SCREW	M2 x 4mm	3	
	D	N09-6873-08	TAPPING SCREW	M2.6 x 10mm	2	
	E	N09-6774-08	SPECIAL SCREW		5	
	F	N09-6890-08	SPECIAL SCREW		17	
	G	N09-6890-08	SPECIAL SCREW		1	K1,K2
	H	N09-6890-08	SPECIAL SCREW		1	E2,Q2,R2,K2
	J	N09-6876-08	SPECIAL SCREW		21	
	K	N09-6876-08	SPECIAL SCREW		3	E2,Q2,R2,K2
	L	N09-6764-08	SPECIAL SCREW		3	
	M	N09-6878-08	SPECIAL SCREW		2	
	N	N09-5625-08	SCREW		5	
	P	N09-6890-08	SPECIAL SCREW		1	K1,K2
	205	W01-2009-08	MICROPHONE		1	E2,Q2,R2,K2
	206	D10-7012-04	LEVER		2	
	207	F09-3112-08	PIN CAP		2	
	208	E30-8281-08	CAR CABLE(AV)		1	
	209	E30-8231-08	CAR CABLE(USB)		1	E2,Q2,R2,K2
	210	E30-8283-08	CAR CABLE(NAVI)		1	E1,Q1,R1,E2,Q2,R2
	211	B07-3263-02	ESCUTCHEON(2DIN)		1	
	213	J22-0657-03	SLEEVE ASSY		1	
△	222	F09-3088-08	COOLING FAN		1	
	230	N99-1822-05	SCREW SET		1	R1,K1,R2,K2
	232	W02-5619-08	RF MODULE		1	E2,Q2,R2,K2
	235	A21-6895-02	DRESSING PANEL		1	E1,Q1,E2,Q2
	235	A21-6897-02	DRESSING PANEL		1	R1,K1,R2,K2
	236	B19-2640-13	L.BOARD ASSY		1	
	237	F19-1852-08	BLIND		1	
	238	K24-5230-03	PUSH KNOB(RESET)		1	
	240	K24-5224-12	PUSH KNOB(MENU)		1	E1,Q1,E2,Q2
	240	K24-5226-12	PUSH KNOB(MENU)		1	R1,K1,R2,K2
	244	G11-3840-08	SPACER		1	
	246	K28-0544-12	KNOB ASSY		1	E1,Q1
	246	K28-0543-12	KNOB ASSY		1	R1,K1
	246	K28-0542-12	KNOB ASSY		1	E2,Q2
	246	K28-0541-12	KNOB ASSY		1	R2,K2
	247	A21-6903-02	DRESSING PANEL(CIRCULAR)		1	E1,Q1
	247	A21-6901-02	DRESSING PANEL(CIRCULAR)		1	R1,K1
	247	A21-6913-02	DRESSING PANEL(CIRCULAR)		1	E2,Q2
	247	A21-6912-02	DRESSING PANEL(CIRCULAR)		1	R2,K2
	249	E30-8331-08	CAR CABLE(REAR AVIN)		1	
	250	E30-8332-08	CAR CABLE(REAR USB)		1	
	251	K24-5228-13	PUSH KNOB(EJECT)		1	
	252	B10-7006-04	FRONT GLASS		1	
	253	K28-0550-13	KNOB ASSY(VOL)		1	
	254	S79-0884-08	TOUCH PANEL		1	
	256	E30-8287-08	CAR CABLE(PRK)		1	
	501	B64-5116-08	INST MANUAL		1	E1,Q1,E2,Q2
	501	B64-5112-08	INST MANUAL		1	R1,K1,R2,K2
	502	B64-5117-08	INST MANUAL		1	E1,E2
	502	B64-5123-08	INST MANUAL		1	Q1,Q2
	502	B64-5113-08	INST MANUAL		1	K1,K2
	503	B64-5118-08	INST MANUAL		1	E1,E2
	503	B64-5124-08	INST MANUAL		1	Q1,Q2
	503	B64-5114-08	INST MANUAL		1	R1,K1,R2,K2
	504	B64-5119-08	INST MANUAL		1	E1,E2
	504	B64-5115-08	INST MANUAL		1	R1,R2
	505	B64-5120-08	INST MANUAL		1	E1,E2
	506	B64-5121-08	INST MANUAL		1	E1,E2
	507	B64-5122-08	INST MANUAL		1	E1,E2
	508	H54-5357-08	INNER CARTON		1	E1
	508	H54-5358-08	INNER CARTON		1	Q1

MODEL	MARK	MODEL	MARK	MODEL	MARK	MODEL	MARK
DDX3023	E1	DDX3053	Q1	DDX3070	R1	DDX370	K1
DDX4023BT	E2	DDX4053BT	Q2	DDX4070BT	R2	DDX470	K2

Safe	Symbol No.	Parts No.	Parts Name	Description	QTY	Local
508		H54-5356-08	INNER CARTON		1	R1
508		H54-5355-08	INNER CARTON		1	K1
508		H54-5353-08	INNER CARTON		1	E2
508		H54-5354-08	INNER CARTON		1	Q2
508		H54-5352-08	INNER CARTON		1	R2
508		H54-5351-08	INNER CARTON		1	K2

MODEL	MARK	MODEL	MARK	MODEL	MARK	MODEL	MARK
DDX3023	E1	DDX3053	Q1	DDX3070	R1	DDX370	K1
DDX4023BT	E2	DDX4053BT	Q2	DDX4070BT	R2	DDX470	K2

Safe	Symbol No.	Parts No.	Parts Name	Description	QTY	Local
------	------------	-----------	------------	-------------	-----	-------

EXPLODED VIEW (DVD MECHANISM: D40-2252-08/FMU-XS2-61D) <130>

VM1	T42-1376-08	LOADING MOTOR	1		
WH1	E39-1298-08	E-FL/RB WIRE	1		
A	N09-6778-08	MINI SCREW	11		
B	N09-6779-08	SPECIAL SCREW	1		
C	N09-6780-08	MINI TAP SCREW	2		
D	N09-6781-08	SCREW	2	M1.4 x 2.5mm	
E	N09-6782-08	SPECIAL SCREW	1		
F	N29-0544-08	WASHER	2		
G	N29-0542-08	SLIT WASHER	2		
H	N29-0543-08	SLIT WASHER	1	3.5mm/1.7mm x 0.25mm	
1	A10-5568-08	FRAME UNIT	1		
2	J22-0881-08	STOPPER	1		
4	G01-4747-08	L A SPRING(R) 2	1		
5	G01-4711-08	L ARM HOLDER	1		
7	J02-1216-08	INSULATOR	1		
8	J02-1217-08	INSULATOR	2		
9	G01-4712-08	DAMPER SPRING B	2		
10	G01-4713-08	DAMPER SPRING A	1		
11	G01-4714-08	FLOATING SPRING	1		
12	G01-4715-08	LOCK SLIDER SPR	1		
13	J22-0882-08	MOTOR HOLDER	1		
17	G02-1598-08	MOTOR TH SPRING	1		
18	D13-3115-08	MOTOR WORM GEAR	1		
19	D13-2500-08	M WHEEL GEAR	1		
20	D13-3001-08	M CONNECT GEAR	1		
21	D13-3002-08	A WORM GEAR	1		
22	D13-3003-08	A WHEEL GEAR	1		
23	D13-3004-08	ACT GEAR	1		
24	D13-3005-08	A CONNECT GAER	1		
25	D13-3006-08	LOAD GAER	1		
26	J22-0883-08	GEAR BASE	1		
28	D10-7065-08	SLIDE CAM ASSY	1		
29	G01-4716-08	S.CAM SPRING	1		
30	A10-5515-08	TOP COVER	1		
31	J30-1096-08	SPACER	1		
32	J22-0909-08	DISC PLATE 2	1		
35	D10-7096-08	LOADING A AS 2	1		
36	D14-1035-08	ROLLER	2		
37	D21-2534-08	ROLLER SHAFT 2	1		
38	J22-0885-08	SHAFT GUIDE	1		
41	J31-1082-08	ROLLER COLLAR L	1		
42	J31-1087-08	R. COLLAR R2	1		
43	D10-7097-08	L ARM ROD	1		
44	D13-3007-08	CONNECT GEAR	1		
45	D13-3008-08	MIDDLE GEAR	1		
47	D13-3009-08	ROLLER GAER	1		
48	G01-4748-08	L A SPRING(L) 2	1		
50	D40-2239-08	TRA MECHA UNIT	1		
51	G01-4718-08	CLAMPER SPRING	1		
52	J30-1099-08	SPACER(P)	1		
54	J02-1215-08	INSULATOR CAP	3		

MODEL	MARK	MODEL	MARK	MODEL	MARK	MODEL	MARK
DDX3023	E1	DDX3053	Q1	DDX3070	R1	DDX370	K1
DDX4023BT	E2	DDX4053BT	Q2	DDX4070BT	R2	DDX470	K2

Safe	Symbol No.	Parts No.	Parts Name	Description	QTY	Local
MAIN UNIT (LVA11038-xxA) <ER>						
	IC11	TEF6614TV1S3-X	IC		1	
	IC101	TB2931HQ	IC		1	
	IC141	E-TDA7415CB	IC		1	
	IC152	74AHC1G08GW	IC(2ch AND GATE)		1	
	IC153	74AHCT1G08GW	IC(DIGITAL)		1	
	IC181	NJM2794RB2ZB	IC		1	
	IC191	NJM4565E-X	IC		1	
	IC261	NJM2584AM-X	IC		1	E1,Q1,R1,E2,Q2,R2
	IC701	JVM622C	IC(MCU)		1	
	IC721	R1EX24016ASAAX	IC		1	
	IC731	XC6120N242NG-X	IC		1	
	IC751	74AHCT1G08GW	IC(DIGITAL)		1	
	IC801	LV5680P	IC		1	
	IC802	BD9673EFJ	IC		1	
	IC803	BA9743AFV-X	IC		1	
	IC821	XC6213B332N-G	IC		1	
	IC831	BD9673EFJ	IC		1	
	IC851	NJM2835DL1-15X	IC		1	
	Q717	DRA9143Z	DIGI TRANSISTOR		1	
	Q731	DRA9114E	DIGI TRANSISTOR		1	
	Q791	2SA812/5-6/-X	TRANSISTOR		1	
	Q801	DRC9144E	DIGI TRANSISTOR		1	
	Q802	DRA9144E	DIGI TRANSISTOR		1	
	Q803	DRC9114E	DIGI TRANSISTOR		1	
	Q804	DRA9114E	DIGI TRANSISTOR		1	
	Q805	DRC9114E	DIGI TRANSISTOR		1	
	Q821	DRA9114E	DIGI TRANSISTOR		1	
	Q822	DRC9144E	DIGI TRANSISTOR		1	
	Q871	MTM98140-X	TRANSISTOR		1	
	Q872	DRA9114E	DIGI TRANSISTOR		1	
	Q873	DRC9144E	DIGI TRANSISTOR		1	
	Q874	DRC9114E	DIGI TRANSISTOR		1	
	Q875	DRA9114E	DIGI TRANSISTOR		1	
	Q971	DSC5001/R/	TRANSISTOR		1	
	Q972	DSC5001/R/	TRANSISTOR		1	
	Q1121	DMC20402-W	PAIR TRANSISTOR		1	
	Q1221	DMC20402-W	PAIR TRANSISTOR		1	
	Q1301	DRC9114E	DIGI TRANSISTOR		1	
	Q1302	DRA9114E	DIGI TRANSISTOR		1	
	Q1341	DMC20402-W	PAIR TRANSISTOR		1	
	Q1401	INC2002AC1-X	TRANSISTOR		1	
	Q1501	DRA9114E	DIGI TRANSISTOR		1	
	Q1502	DSC5001/R/	TRANSISTOR		1	
	Q1503	DRA9114E	DIGI TRANSISTOR		1	
	Q1504	DRA9114E	DIGI TRANSISTOR		1	
	Q1505	DRC9143Z	DIGI TRANSISTOR		1	
	Q1507	DRC9143Z	DIGI TRANSISTOR		1	
	Q1508	DRC9143Z	DIGI TRANSISTOR		1	
	Q1541	DRA9114E	DIGI TRANSISTOR		1	K1,K2
	Q1542	DRC9114Y	DIGI TRANSISTOR		1	K1,K2
	Q1942	DSC5001/R/	TRANSISTOR		1	
	Q1943	DRA9114Y	DIGI TRANSISTOR		1	
	Q1944	DSC5001/R/	TRANSISTOR		1	
	Q1951	RT1N141U-X	DIGI TRANSISTOR		1	
	Q1961	DRC9114E	DIGI TRANSISTOR		1	
	Q8021	DRC9114E	DIGI TRANSISTOR		1	
	Q8022	DRC9114E	DIGI TRANSISTOR		1	
	Q8101	TPC6110-X	MOS FET		1	
	Q8102	2SC1623/5-6/-X	TRANSISTOR		1	
	Q8103	2SA812/5-6/-X	TRANSISTOR		1	
	Q8104	DRC9114E	DIGI TRANSISTOR		1	
	Q8201	RTQ035N03-W	MOS FET		1	
	Q8202	2SA812/5-6/-X	TRANSISTOR		1	
	Q8203	2SC1623/5-6/-X	TRANSISTOR		1	
	Q8301	2SC1623/5-6/-X	TRANSISTOR		1	
	D821	CRS03	SB DIODE		1	
	D871	RKZ18B2KG-X	Z DIODE		1	
	D901	1N5402-BPC04	SI DIODE		1	
	D902	GS1J-LTP-X	SI DIODE		1	
	D971	RKZ6.8B2KG-X	Z DIODE		1	
	D972	RKZ6.8B2KG-X	Z DIODE		1	
	D1121	MC2836-X	DIODE		1	
	D1221	MC2836-X	DIODE		1	
	D1303	DA2J101-X	SI DIODE		1	
	D1304	DA2J101-X	SI DIODE		1	
	D1341	MC2836-X	DIODE		1	
	D1371	CRS03	SB DIODE		1	
	D1372	RKZ5.6KG(B2)	Z DIODE		1	
	D1381	RKZ4.7KG(B2)	Z DIODE		1	
	D1382	DA2J101-X	SI DIODE		1	
	D1401	MC2836-X	DIODE		1	
	D1402	MC2836-X	DIODE		1	
	D1403	MC2836-X	DIODE		1	
	D1501	MC2836-X	DIODE		1	
	D1502	MC2836-X	DIODE		1	
	D1503	MC2836-X	DIODE		1	
	D1504	MC2836-X	DIODE		1	
	D1911	CRS03	SB DIODE		1	
	D1912	CRS03	SB DIODE		1	
	D1921	MBRX130-TP-X	SB DIODE		1	

MODEL	MARK	MODEL	MARK	MODEL	MARK	MODEL	MARK
DDX3023	E1	DDX3053	Q1	DDX3070	R1	DDX370	K1
DDX4023BT	E2	DDX4053BT	Q2	DDX4070BT	R2	DDX470	K2

Safe	Symbol No.	Parts No.	Parts Name	Description	QTY	Local
	D1922	MBRX130-TP-X	SB DIODE		1	
	D1931	MC2836-X	DIODE		1	
	D1941	DA2J101-X	SI DIODE		1	
	D1961	RKZ18B2KG-X	Z DIODE		1	
	D1971	RKZ6.2KG(B2)	Z DIODE		1	
	D7301	DA2J101-X	SI DIODE		1	
	D8001	RB051L-40-X	SB DIODE		1	
	D8011	CRS03	SB DIODE		1	
	D8021	RKZ6.2KG(B2)	Z DIODE		1	
	D8022	RKZ6.2KG(B2)	Z DIODE		1	
	D8031	RB051L-40-X	SB DIODE		1	
	D8101	RB051L-40-X	SB DIODE		1	
	D8106	RKZ6.2KG(B2)	Z DIODE		1	
	D8201	CRS03	SB DIODE		1	
	D8203	KDR720E-X	SB DIODE		1	
	D8204	KDR720E-X	SB DIODE		1	
	D8205	KDR720E-X	SB DIODE		1	
	D8301	DA2J101-X	SI DIODE		1	
	D8501	DA2J101-X	SI DIODE		1	
	C1	CK73HB1H471K	C CAPACITOR	470pF 50V K	1	
	C2	NDC31HJ-100X	C CAPACITOR	10pF 50V J	1	K1,K2
	C8	NCB31CK-474X	C CAPACITOR	0.47uF 16V K	1	
	C9	NCB31CK-474X	C CAPACITOR	0.47uF 16V K	1	
	C10	NCB31CK-474X	C CAPACITOR	0.47uF 16V K	1	
	C12	DA2J101-X	SI DIODE	0.01uF 16V K	1	
	C13	DA2J101-X	SI DIODE	0.1uF 10V K	1	
	C14	DA2J101-X	SI DIODE	0.01uF 16V K	1	
	C16	DA2J101-X	SI DIODE	0.01uF 16V K	1	
	C17	DA2J101-X	SI DIODE	100uF 16V M	1	
	C18	DA2J101-X	SI DIODE	0.1uF 10V K	1	
	C19	DA2J101-X	SI DIODE	1uF 16V K	1	
	C20	CC73HCH1H060D	C CAPACITOR	6pF 50V J	1	
	C21	CK73HB1A104K	C CAPACITOR	0.1uF 10V K	1	
	C22	CK73HB1H102K	C CAPACITOR	1000pF 50V K	1	
	C23	CC73HCH1H100D	C CAPACITOR	10pF 50V J	1	
	C24	CK73GB1C224K	C CAPACITOR	0.22uF 16V K	1	
	C25	CK73HB1E103K	C CAPACITOR	0.01uF 16V K	1	
	C26	CK73GB1A105K	C CAPACITOR	1uF 16V K	1	
	C27	CC73HCH1H150J	C CAPACITOR	15pF 50V J	1	
	C29	CK73HB1A104K	C CAPACITOR	0.1uF 10V K	1	
	C30	CK73HB1E103K	C CAPACITOR	0.01uF 16V K	1	
	C42	CK73HB1H102K	C CAPACITOR	1000pF 50V K	1	
	C45	CC73HCH1H070D	C CAPACITOR	7pF 50V J	1	
	C46	CC73HCH1H020C	C CAPACITOR	2pF 50V J	1	
	C50	CK73GB1H103K	C CAPACITOR	0.01uF 50V K	1	
	C260	CK73FB0J106K	C CAPACITOR	10uF 6.3V K	1	
	C262	CK73GB1A105K	C CAPACITOR	1uF 16V K	1	E1,Q1,R1,E2,Q2,R2
	C272	CK73GB1A105K	C CAPACITOR	1uF 16V K	1	E1,Q1,R1,E2,Q2,R2
	C282	CK73GB1A105K	C CAPACITOR	1uF 16V K	1	E1,Q1,R1,E2,Q2,R2
	C705	CK73HB1A104K	C CAPACITOR	0.1uF 10V K	1	
	C713	CK73HB1H102K	C CAPACITOR	1000pF 50V K	1	
	C714	CC73HCH1H220J	C CAPACITOR	22pF 50V J	1	
	C715	CC73HCH1H220J	C CAPACITOR	22pF 50V J	1	
	C717	CC73HCH1H120J	C CAPACITOR	12pF 50V J	1	
	C718	CC73HCH1H100D	C CAPACITOR	10pF 50V J	1	
	C723	C90-6945-08	E CAPACITOR	220uF 10V M	1	
	C801	C90-6894-08	E CAPACITOR	10uF 25V M	1	
	C802	C90-6894-08	E CAPACITOR	10uF 25V M	1	R1,K1,R2,K2
	C803	C90-6945-08	E CAPACITOR	220uF 10V M	1	
	C804	CK73HB1A104K	C CAPACITOR	0.1uF 10V K	1	
	C805	CK73HB1A104K	C CAPACITOR	0.1uF 10V K	1	
	C806	CK73HB1A104K	C CAPACITOR	0.1uF 10V K	1	
	C807	CK73GB1A105K	C CAPACITOR	1uF 16V K	1	
	C808	C90-6947-08	E CAPACITOR	47uF 25V M	1	
	C809	CD04BN1C221M	E CAPACITOR	220uF 16V M	1	
	C810	CK73GB1H102K	C CAPACITOR	1000pF 50V K	1	
	C812	C90-6949-08	E CAPACITOR	22uF 50V M	1	
	C816	CK73GB1H104K	C CAPACITOR	0.1uF 50V K	1	
	C818	CC73HCH1H050C	C CAPACITOR	5pF 50V J	1	
	C820	CK73GB1H103K	C CAPACITOR	0.01uF 50V K	1	
	C821	C90-6946-08	E CAPACITOR	100uF 16V M	1	
	C822	C90-6894-08	E CAPACITOR	10uF 25V M	1	
	C871	CK73HB1E103K	C CAPACITOR	0.01uF 16V K	1	
	C872	CK73FB1C106K	C CAPACITOR	0.33uF 16V K	1	
	C901	C90-6783-05	E CAPACITOR	3900uF	1	
	C902	C90-6895-08	E CAPACITOR	2.2uF 50V M	1	
	C904	C90-6895-08	E CAPACITOR	2.2uF 50V M	1	
	C921	CK73HB1H102K	C CAPACITOR	1000pF 50V K	1	
	C962	CK73HB1E103K	C CAPACITOR	0.01uF 16V K	1	
	C963	CK73GB1H102K	C CAPACITOR	1000pF 50V K	1	
	C1101	CC73HCH1H101J	C CAPACITOR	100pF 50V J	1	
	C1102	CC73HCH1H101J	C CAPACITOR	100pF 50V J	1	
	C1106	CK73GB1C224K	C CAPACITOR	0.22uF 16V K	1	
	C1111	CC73HCH1H101J	C CAPACITOR	100pF 50V J	1	
	C1112	CC73HCH1H101J	C CAPACITOR	100pF 50V J	1	
	C1116	CK73GB1C224K	C CAPACITOR	0.22uF 16V K	1	
	C1121	CC73GCH1H101J	C CAPACITOR	100pF 50V J	1	
	C1122	C90-6896-08	E CAPACITOR	4.7uF 50V M	1	
	C1131	CC73GCH1H101J	C CAPACITOR	100pF 50V J	1	
	C1132	C90-6896-08	E CAPACITOR	4.7uF 50V M	1	

MODEL	MARK	MODEL	MARK	MODEL	MARK	MODEL	MARK
DDX3023	E1	DDX3053	Q1	DDX3070	R1	DDX370	K1
DDX4023BT	E2	DDX4053BT	Q2	DDX4070BT	R2	DDX470	K2

Safe	Symbol No.	Parts No.	Parts Name	Description	QTY	Local
	C1141	CC73GCH1H101J	C CAPACITOR	100pF 50V J	1	
	C1142	CK73FB0J475K	C CAPACITOR	4.7uF 6.3V K	1	
	C1151	CC73GCH1H101J	C CAPACITOR	100pF 50V J	1	
	C1158	CK73GB1A105K	C CAPACITOR	1uF 16V K	1	K1,K2
	C1161	CK73GB1A105K	C CAPACITOR	1uF 16V K	1	
	C1162	C90-6896-08	E CAPACITOR	4.7uF 50V M	1	
	C1163	CK73GB1A105K	C CAPACITOR	1uF 16V K	1	E2,Q2,R2,K2
	C1166	CK73GB1A105K	C CAPACITOR	1uF 16V K	1	
	C1167	CK73GB1A105K	C CAPACITOR	1uF 16V K	1	
	C1170	CK73GB1A105K	C CAPACITOR	1uF 16V K	1	
	C1181	CK73GB1A105K	C CAPACITOR	1uF 16V K	1	
	C1182	CK73GB1A105K	C CAPACITOR	1uF 16V K	1	
	C1191	C90-6894-08	E CAPACITOR	10uF 25V M	1	
	C1192	C90-6894-08	E CAPACITOR	10uF 25V M	1	
	C1193	CK73HB1H471K	C CAPACITOR	470pF 50V K	1	
	C1194	CK73HB1H682K	C CAPACITOR	6800pF 25V K	1	
	C1195	CK73HB1H471K	C CAPACITOR	470pF 50V K	1	
	C1201	CC73HCH1H101J	C CAPACITOR	100pF 50V J	1	
	C1202	CC73HCH1H101J	C CAPACITOR	100pF 50V J	1	
	C1206	CK73GB1C224K	C CAPACITOR	0.22uF 16V K	1	
	C1211	CC73HCH1H101J	C CAPACITOR	100pF 50V J	1	
	C1212	CC73HCH1H101J	C CAPACITOR	100pF 50V J	1	
	C1216	CK73GB1C224K	C CAPACITOR	0.22uF 16V K	1	
	C1221	CC73GCH1H101J	C CAPACITOR	100pF 50V J	1	
	C1222	C90-6896-08	E CAPACITOR	4.7uF 50V M	1	
	C1231	CC73GCH1H101J	C CAPACITOR	100pF 50V J	1	
	C1232	C90-6896-08	E CAPACITOR	4.7uF 50V M	1	
	C1241	CC73GCH1H101J	C CAPACITOR	100pF 50V J	1	
	C1242	CK73FB0J475K	C CAPACITOR	4.7uF 6.3V K	1	
	C1251	CC73GCH1H101J	C CAPACITOR	100pF 50V J	1	
	C1258	CK73GB1A105K	C CAPACITOR	1uF 16V K	1	K1,K2
	C1261	CK73GB1A105K	C CAPACITOR	1uF 16V K	1	
	C1262	C90-6896-08	E CAPACITOR	4.7uF 50V M	1	
	C1263	CK73GB1A105K	C CAPACITOR	1uF 16V K	1	E2,Q2,R2,K2
	C1266	CK73GB1A105K	C CAPACITOR	1uF 16V K	1	
	C1267	CK73GB1A105K	C CAPACITOR	1uF 16V K	1	
	C1270	CK73GB1A105K	C CAPACITOR	1uF 16V K	1	
	C1281	CK73GB1A105K	C CAPACITOR	1uF 16V K	1	
	C1282	CK73GB1A105K	C CAPACITOR	1uF 16V K	1	
	C1291	C90-6894-08	E CAPACITOR	10uF 25V M	1	
	C1292	C90-6894-08	E CAPACITOR	10uF 25V M	1	
	C1293	CK73HB1H471K	C CAPACITOR	470pF 50V K	1	
	C1294	CK73HB1H682K	C CAPACITOR	6800pF 25V K	1	
	C1295	CK73HB1H471K	C CAPACITOR	470pF 50V K	1	
	C1301	CK73HB1E103K	C CAPACITOR	0.01uF 16V K	1	
	C1303	CC73HCH1H820J	C CAPACITOR	82pF 50V J	1	
	C1304	CK73GB1A105K	C CAPACITOR	1uF 16V K	1	
	C1306	C90-6894-08	E CAPACITOR	10uF 25V M	1	
	C1308	CC73HCH1H820J	C CAPACITOR	82pF 50V J	1	
	C1309	CK73GB1H103K	C CAPACITOR	0.01uF 50V K	1	
	C1312	CK73GB1A105K	C CAPACITOR	1uF 16V K	1	
	C1313	CK73GB1A105K	C CAPACITOR	1uF 16V K	1	
	C1351	CK73GB1C473K	C CAPACITOR	0.047uF 16V K	1	
	C1353	CK73GB1H104K	C CAPACITOR	0.1uF 50V K	1	K1,K2
	C1354	CK73HB1E103K	C CAPACITOR	0.01uF 16V K	1	
	C1355	CK73HB1E103K	C CAPACITOR	0.01uF 16V K	1	
	C1358	CK73FB1C106K	C CAPACITOR	10uF 16V K	1	K1,K2
	C1367	CC73HCH1H330J	C CAPACITOR	33pF 50V J	1	
	C1368	C90-6894-08	E CAPACITOR	10uF 25V M	1	
	C1369	CK73GB1A105K	C CAPACITOR	1uF 16V K	1	
	C1370	CK73FB1C106K	C CAPACITOR	10uF 16V K	1	
	C1371	C90-6946-08	E CAPACITOR	100uF 16V M	1	
	C1373	C90-6912-08	E CAPACITOR	1uF 50V M	1	
	C1374	NCB31CK-474X	C CAPACITOR	0.47uF 16V K	1	
	C1375	C90-6912-08	E CAPACITOR	1uF 50V M	1	
	C1376	NCB31CK-474X	C CAPACITOR	0.47uF 16V K	1	
	C1378	C90-6894-08	E CAPACITOR	10uF 25V M	1	
	C1380	CK73GB1A105K	C CAPACITOR	1uF 16V K	1	
	C1381	CK73HB1E103K	C CAPACITOR	0.01uF 16V K	1	
	C1382	C90-6947-08	E CAPACITOR	47uF 25V M	1	
	C1383	C90-6892-08	E CAPACITOR	22uF 16V M	1	
	C1391	C90-6947-08	E CAPACITOR	47uF 25V M	1	
	C1392	C90-6894-08	E CAPACITOR	10uF 25V M	1	
	C1393	C90-6894-08	E CAPACITOR	10uF 25V M	1	
	C1400	CC73GCH1H101J	C CAPACITOR	100pF 50V J	1	
	C1401	CK73GB1H102K	C CAPACITOR	1000pF 50V K	1	
	C1402	C90-6894-08	E CAPACITOR	10uF 25V M	1	
	C1601	CC73HCH1H070D	C CAPACITOR	7pF 50V J	1	
	C1911	CK73GB1H104K	C CAPACITOR	0.1uF 50V K	1	
	C1932	CK73GB1H104K	C CAPACITOR	0.1uF 50V K	1	
	C1944	CK73GB1C225K	C CAPACITOR	2.2uF 10V K	1	
	C1952	C90-6892-08	E CAPACITOR	22uF 16V M	1	
	C1963	C90-6894-08	E CAPACITOR	10uF 25V M	1	
	C6221	CK73HB1E103K	C CAPACITOR	0.01uF 16V K	1	
	C6222	CK73HB1E103K	C CAPACITOR	0.01uF 16V K	1	
	C7088	CK73HB1E103K	C CAPACITOR	0.01uF 16V K	1	
	C7089	CK73GB1H103K	C CAPACITOR	0.01uF 50V K	1	
	C7092	CK73GB1H103K	C CAPACITOR	0.01uF 50V K	1	
	C7093	CK73GB1H103K	C CAPACITOR	0.01uF 50V K	1	
	C7095	CK73HB1E103K	C CAPACITOR	0.01uF 16V K	1	
	C7104	CK73HB1E103K	C CAPACITOR	0.01uF 16V K	1	
	C7106	CK73HB1E103K	C CAPACITOR	0.01uF 16V K	1	

MODEL	MARK	MODEL	MARK	MODEL	MARK	MODEL	MARK
DDX3023	E1	DDX3053	Q1	DDX3070	R1	DDX370	K1
DDX4023BT	E2	DDX4053BT	Q2	DDX4070BT	R2	DDX470	K2

Safe	Symbol No.	Parts No.	Parts Name	Description	QTY	Local
	C7107	CK73HB1E103K	C CAPACITOR	0.01uF 16V K	1	
	C7108	CK73HB1E103K	C CAPACITOR	0.01uF 16V K	1	
	C7109	CK73HB1E103K	C CAPACITOR	0.01uF 16V K	1	
	C7121	CK73HB1E103K	C CAPACITOR	0.01uF 16V K	1	
	C7126	CK73HB1E103K	C CAPACITOR	0.01uF 16V K	1	
	C7128	CK73HB1E103K	C CAPACITOR	0.01uF 16V K	1	
	C7301	CK73HB1E103K	C CAPACITOR	0.01uF 16V K	1	
	C7302	CK73GB1A105K	C CAPACITOR	1uF 16V K	1	
	C7501	CK73HB1E103K	C CAPACITOR	0.01uF 16V K	1	
	C7503	CC73HCH1H331J	C CAPACITOR	330pF 50V J	1	
	C8003	CD04AS1E470M	E CAPACITOR	47uF 25V M	1	
	C8004	CK73EB1E106K	C CAPACITOR	10uF 25V	1	
	C8005	C93-1512-08	C CAPACITOR	0.1uF 16V K	1	
	C8006	CK73HB1H682K	C CAPACITOR	6800pF 50V K	1	
	C8008	CK73FB0J106K	C CAPACITOR	10uF 6.3V K	1	
	C8009	C92-2056-08	E CAPACITOR	470uF 10V M	1	
	C8010	CK73FB0J106K	C CAPACITOR	10uF 6.3V K	1	
	C8011	CK73HB1H102K	C CAPACITOR	1000pF 50V K	1	
	C8033	CD04AS1E470M	E CAPACITOR	47uF 25V M	1	
	C8034	CK73EB1E106K	C CAPACITOR	10uF 25V	1	
	C8035	C93-1512-08	C CAPACITOR	0.1uF 16V K	1	
	C8036	CK73HB1H682K	C CAPACITOR	6800pF 50V K	1	
	C8038	CK73FB0J106K	C CAPACITOR	10uF 6.3V K	1	
	C8039	C90-6943-08	E CAPACITOR	330uF 6.3V M	1	
	C8041	CK73HB1H102K	C CAPACITOR	1000pF 50V K	1	
	C8101	CK73FB1C106K	C CAPACITOR	0.33uF 16V K	1	
	C8103	CK73HB1H102K	C CAPACITOR	1000pF 50V K	1	
	C8106	CK73EB1E106K	C CAPACITOR	10uF 25V	1	
	C8107	CK73FB0J106K	C CAPACITOR	10uF 6.3V K	1	
	C8108	C92-2056-08	E CAPACITOR	470uF 10V M	1	
	C8201	NCB31CK-474X	C CAPACITOR	0.47uF 16V K	1	
	C8203	CK73HB1H222K	C CAPACITOR	2200pF 50V K	1	
	C8204	CK73GB1H682K	C CAPACITOR	6800pF 50V K	1	
	C8205	C93-1599-08	C CAPACITOR	390pF 50V K	1	
	C8206	CK73EB1E106K	C CAPACITOR	10uF 25V	1	
	C8207	CK73EB1E106K	C CAPACITOR	10uF 25V	1	
	C8208	C92-2057-08	E CAPACITOR	100uF 50V M	1	
	C8209	CK73EB1E106K	C CAPACITOR	10uF 25V	1	
	C8210	CK73GB1H104K	C CAPACITOR	0.1uF 50V K	1	
	C8213	C90-6949-08	E CAPACITOR	22uF 50V M	1	
	C8301	CK73HB1A104K	C CAPACITOR	0.1uF 10V K	1	
	C8302	C93-1598-08	C CAPACITOR	2700pF 50V K	1	
	C8303	CK73HB1A104K	C CAPACITOR	0.1uF 10V K	1	
	C8304	CK73HB1H102K	C CAPACITOR	1000pF 50V K	1	
	C8306	CK73GB1A105K	C CAPACITOR	1uF 16V K	1	
	C8501	CK73FB1E334K	C CAPACITOR	0.33uF 25V K	1	
	C8502	C90-6892-08	E CAPACITOR	22uF 16V M	1	
	R14	RK73HB1J472J	MG RESISTOR	4.7kΩ 1/16W J	1	
	R16	RK73HB1J684J	MG RESISTOR	680kΩ 1/16W J	1	
	R19	RK73HB1J101J	MG RESISTOR	100Ω 1/16W J	1	
	R21	RK73EB2E220J	MG RESISTOR	22Ω 1/8W J	1	
	R22	RK73HB1J684J	MG RESISTOR	680kΩ 1/16W J	1	
	R23	RK73HB1J101J	MG RESISTOR	100Ω 1/16W J	1	
	R262	RK73HH1J151D	MG RESISTOR	150Ω 1/16W D	1	
	R264	RK73HB1J470J	MG RESISTOR	47Ω 1/16W J	1	E1,Q1,R1,E2,Q2,R2
	R265	RK73HB1J470J	MG RESISTOR	47Ω 1/16W J	1	E1,Q1,R1,E2,Q2,R2
	R266	RK73HB1J470J	MG RESISTOR	47Ω 1/16W J	1	E1,Q1,R1,E2,Q2,R2
	R267	RK73HB1J470J	MG RESISTOR	47Ω 1/16W J	1	K1,K2
	R268	RK73HB1J470J	MG RESISTOR	47Ω 1/16W J	1	K1,K2
	R269	RK73HB1J470J	MG RESISTOR	47Ω 1/16W J	1	K1,K2
	R272	RK73HH1J151D	MG RESISTOR	150Ω 1/16W D	1	
	R282	RK73HH1J151D	MG RESISTOR	150Ω 1/16W D	1	
	R700	RK73HB1J221J	MG RESISTOR	220Ω 1/16W J	1	
	R701	RK73HB1J123J	MG RESISTOR	12kΩ 1/16W J	1	E1,Q1,R1,E2,Q2,R2
	R702	RK73HB1J332J	MG RESISTOR	3.3kΩ 1/16W J	1	E1,E2
	R702	R92-5562-08	MG RESISTOR	6.2kΩ 1/16W J	1	Q1,Q2
	R702	RK73HB1J152J	MG RESISTOR	1.5kΩ 1/16W J	1	R1,R2
	R702	RK73HB1J123J	MG RESISTOR	12kΩ 1/16W J	1	K1,K2
	R703	RK73HB1J123J	MG RESISTOR	12kΩ 1/16W J	1	
	R704	RK73HB1J433J	MG RESISTOR	43kΩ 1/16W J	1	
	R707	RK73HB1J473J	MG RESISTOR	47kΩ 1/16W J	1	
	R708	RK73HB1J123J	MG RESISTOR	12kΩ 1/16W J	1	
	R709	RK73HB1J223J	MG RESISTOR	22kΩ 1/16W J	1	
	R711	RK73HB1J123J	MG RESISTOR	12kΩ 1/16W J	1	
	R712	RK73GB2A123J	MG RESISTOR	12kΩ 1/16W J	1	
	R714	RK73HB1J000J	MG RESISTOR	0Ω 1/16W J	1	
	R715	RK73HB1J106J	MG RESISTOR	10MΩ 1/16W J	1	
	R722	RK73HB1J123J	MG RESISTOR	12kΩ 1/16W J	1	
	R724	RK73HB1J123J	MG RESISTOR	12kΩ 1/16W J	1	
	R725	RK73HB1J473J	MG RESISTOR	47kΩ 1/16W J	1	K1,K2
	R726	RK73HB1J473J	MG RESISTOR	47kΩ 1/16W J	1	E1,Q1,R1,E2,Q2,R2
	R729	RK73GB2A473J	MG RESISTOR	47kΩ 1/16W J	1	
	R734	RK73HB1J472J	MG RESISTOR	4.7kΩ 1/16W J	1	
	R735	RK73HB1J472J	MG RESISTOR	4.7kΩ 1/16W J	1	
	R741	RK73HB1J473J	MG RESISTOR	47kΩ 1/16W J	1	
	R743	RK73HB1J104J	MG RESISTOR	100kΩ 1/16W J	1	
	R748	RK73HB1J104J	MG RESISTOR	100kΩ 1/16W J	1	
	R749	RK73HB1J473J	MG RESISTOR	47kΩ 1/16W J	1	E1,Q1,R1,E2,Q2,R2
	R750	RK73HB1J473J	MG RESISTOR	47kΩ 1/16W J	1	K1,K2
	R752	RK73HB1J473J	MG RESISTOR	47kΩ 1/16W J	1	E2,Q2,R2,K2

MODEL	MARK	MODEL	MARK	MODEL	MARK	MODEL	MARK
DDX3023	E1	DDX3053	Q1	DDX3070	R1	DDX370	K1
DDX4023BT	E2	DDX4053BT	Q2	DDX4070BT	R2	DDX470	K2

Safe	Symbol No.	Parts No.	Parts Name	Description	QTY	Local
	R753	RK73HB1J473J	MG RESISTOR	47kΩ 1/16W J	1	E1,Q1,R1,K1
	R758	RK73HB1J473J	MG RESISTOR	47kΩ 1/16W J	1	
	R765	RK73HB1J472J	MG RESISTOR	4.7kΩ 1/16W J	1	
	R766	RK73HB1J472J	MG RESISTOR	4.7kΩ 1/16W J	1	
	R774	RK73HB1J473J	MG RESISTOR	47kΩ 1/16W J	1	
	R776	RK73HB1J472J	MG RESISTOR	4.7kΩ 1/16W J	1	
	R777	RK73HB1J272J	MG RESISTOR	2.7kΩ 1/16W J	1	
	R780	RK73HB1J103J	MG RESISTOR	10kΩ 1/16W J	1	
	R781	RK73HB1J103J	MG RESISTOR	10kΩ 1/16W J	1	
	R790	RK73HB1J223J	MG RESISTOR	22kΩ 1/16W J	1	
	R792	RK73HB1J223J	MG RESISTOR	22kΩ 1/16W J	1	
	R796	RK73HB1J473J	MG RESISTOR	47kΩ 1/16W J	1	
	R797	RK73HB1J473J	MG RESISTOR	47kΩ 1/16W J	1	
	R798	RK73HB1J473J	MG RESISTOR	47kΩ 1/16W J	1	
	R799	RK73HB1J474J	MG RESISTOR	470kΩ 1/16W J	1	
	R800	RK73HB1J000J	MG RESISTOR	0Ω 1/16W J	1	
	R801	RK73GH2A103D	MG RESISTOR	10kΩ 1/16W D	1	
	R803	RK73GH2A562D	MG RESISTOR	5.6kΩ 1/16W D	1	
	R806	RK73HH1J472D	MG RESISTOR	4.7kΩ 1/16W D	1	
	R807	RK73HH1J273D	MG RESISTOR	27kΩ 1/16W D	1	
	R808	RK73HB1J331J	MG RESISTOR	330Ω 1/16W J	1	
	R809	RK73HB1J821J	MG RESISTOR	820Ω 1/16W J	1	
	R811	RK73HB1J100J	MG RESISTOR	10Ω 1/16W J	1	
	R813	RK73HB1J271J	MG RESISTOR	270Ω 1/16W J	1	
	R814	RK73FB2B000J	MG RESISTOR	0Ω 1/10W J	1	E1,Q1,E2,Q2
	R815	RK73FB2B000J	MG RESISTOR	0Ω 1/10W J	1	R1,K1,R2,K2
	R871	RK73HB1J223J	MG RESISTOR	22kΩ 1/16W J	1	
	R872	RK73HB1J103J	MG RESISTOR	10kΩ 1/16W J	1	
	R873	RK73HB1J471J	MG RESISTOR	470Ω 1/16W J	1	
	R874	RK73HB1J472J	MG RESISTOR	4.7kΩ 1/16W J	1	
	R875	RK73HB1J103J	MG RESISTOR	10kΩ 1/16W J	1	
	R923	RK73FB2B000J	MG RESISTOR	0Ω 1/10W J	1	
	R961	RK73HB1J751J	MG RESISTOR	750Ω 1/16W J	1	
	R971	RK73FB2B683J	MG RESISTOR	68kΩ 1/10W J	1	
	R972	RK73FB2B473J	MG RESISTOR	47kΩ 1/10W J	1	
	R973	RK73HB1J153J	MG RESISTOR	15kΩ 1/16W J	1	
	R974	RK73HB1J473J	MG RESISTOR	47kΩ 1/16W J	1	
	R975	RK73HB1J103J	MG RESISTOR	10kΩ 1/16W J	1	
	R976	RK73HB1J822J	MG RESISTOR	8.2kΩ 1/16W J	1	
	R1101	RK73HB1J000J	MG RESISTOR	0Ω 1/16W J	1	
	R1102	RK73HB1J750J	MG RESISTOR	75Ω 1/16W J	1	
	R1103	RK73HB1J510J	MG RESISTOR	51Ω 1/16W J	1	
	R1110	RK73HB1J000J	MG RESISTOR	0Ω 1/16W J	1	E1,Q1,R1,E2,Q2,R2
	R1111	RK73HB1J000J	MG RESISTOR	0Ω 1/16W J	1	
	R1112	RK73HB1J750J	MG RESISTOR	75Ω 1/16W J	1	
	R1113	RK73HB1J510J	MG RESISTOR	51Ω 1/16W J	1	
	R1121	RK73FB2B101J	MG RESISTOR	100Ω 1/10W J	1	
	R1122	RK73GB2A473J	MG RESISTOR	47kΩ 1/16W J	1	
	R1123	RK73HB1J471J	MG RESISTOR	470Ω 1/16W J	1	
	R1124	RK73HB1J472J	MG RESISTOR	4.7kΩ 1/16W J	1	
	R1131	RK73FB2B101J	MG RESISTOR	100Ω 1/10W J	1	
	R1132	RK73GB2A473J	MG RESISTOR	47kΩ 1/16W J	1	
	R1133	RK73HB1J471J	MG RESISTOR	470Ω 1/16W J	1	
	R1134	RK73HB1J472J	MG RESISTOR	4.7kΩ 1/16W J	1	
	R1141	RK73FB2B101J	MG RESISTOR	100Ω 1/10W J	1	
	R1142	RK73GB2A473J	MG RESISTOR	47kΩ 1/16W J	1	
	R1143	RK73HB1J472J	MG RESISTOR	4.7kΩ 1/16W J	1	
	R1144	RK73HB1J471J	MG RESISTOR	470Ω 1/16W J	1	
	R1151	RK73GB2A222J	MG RESISTOR	2.2kΩ 1/16W J	1	
	R1152	RK73GB2A473J	MG RESISTOR	47kΩ 1/16W J	1	
	R1154	RK73FB2B101J	MG RESISTOR	100Ω 1/10W J	1	K1,K2
	R1182	RK73HB1J103J	MG RESISTOR	10kΩ 1/16W J	1	
	R1183	RK73HB1J332J	MG RESISTOR	3.3kΩ 1/16W J	1	
	R1184	RK73HB1J000J	MG RESISTOR	0Ω 1/16W J	1	
	R1191	RK73HB1J472J	MG RESISTOR	4.7kΩ 1/16W J	1	
	R1192	RK73HB1J472J	MG RESISTOR	4.7kΩ 1/16W J	1	
	R1193	RK73HB1J472J	MG RESISTOR	4.7kΩ 1/16W J	1	
	R1194	RK73HB1J101J	MG RESISTOR	100Ω 1/16W J	1	
	R1195	RK73HB1J101J	MG RESISTOR	100Ω 1/16W J	1	
	R1196	RK73HB1J472J	MG RESISTOR	4.7kΩ 1/16W J	1	
	R1201	RK73HB1J000J	MG RESISTOR	0Ω 1/16W J	1	
	R1202	RK73HB1J750J	MG RESISTOR	75Ω 1/16W J	1	
	R1203	RK73HB1J510J	MG RESISTOR	51Ω 1/16W J	1	
	R1210	RK73HB1J000J	MG RESISTOR	0Ω 1/16W J	1	E1,Q1,R1,E2,Q2,R2
	R1211	RK73HB1J000J	MG RESISTOR	0Ω 1/16W J	1	
	R1212	RK73HB1J750J	MG RESISTOR	75Ω 1/16W J	1	
	R1213	RK73HB1J510J	MG RESISTOR	51Ω 1/16W J	1	
	R1221	RK73FB2B101J	MG RESISTOR	100Ω 1/10W J	1	
	R1222	RK73GB2A473J	MG RESISTOR	47kΩ 1/16W J	1	
	R1223	RK73HB1J471J	MG RESISTOR	470Ω 1/16W J	1	
	R1224	RK73HB1J472J	MG RESISTOR	4.7kΩ 1/16W J	1	
	R1231	RK73FB2B101J	MG RESISTOR	100Ω 1/10W J	1	
	R1232	RK73GB2A473J	MG RESISTOR	47kΩ 1/16W J	1	
	R1233	RK73HB1J471J	MG RESISTOR	470Ω 1/16W J	1	
	R1234	RK73HB1J472J	MG RESISTOR	4.7kΩ 1/16W J	1	
	R1241	RK73FB2B101J	MG RESISTOR	100Ω 1/10W J	1	
	R1242	RK73GB2A473J	MG RESISTOR	47kΩ 1/16W J	1	
	R1243	RK73HB1J472J	MG RESISTOR	4.7kΩ 1/16W J	1	
	R1244	RK73HB1J471J	MG RESISTOR	470Ω 1/16W J	1	
	R1251	RK73GB2A222J	MG RESISTOR	2.2kΩ 1/16W J	1	
	R1252	RK73GB2A473J	MG RESISTOR	47kΩ 1/16W J	1	
	R1254	RK73FB2B101J	MG RESISTOR	100Ω 1/10W J	1	K1,K2

MODEL	MARK	MODEL	MARK	MODEL	MARK	MODEL	MARK
DDX3023	E1	DDX3053	Q1	DDX3070	R1	DDX370	K1
DDX4023BT	E2	DDX4053BT	Q2	DDX4070BT	R2	DDX470	K2

Safe	Symbol No.	Parts No.	Parts Name	Description	QTY	Local
	R1282	RK73HB1J103J	MG RESISTOR	10kΩ 1/16W J	1	
	R1283	RK73HB1J332J	MG RESISTOR	3.3kΩ 1/16W J	1	
	R1284	RK73HB1J000J	MG RESISTOR	0Ω 1/16W J	1	
	R1291	RK73HB1J472J	MG RESISTOR	4.7kΩ 1/16W J	1	
	R1292	RK73HB1J472J	MG RESISTOR	4.7kΩ 1/16W J	1	
	R1293	RK73HB1J472J	MG RESISTOR	4.7kΩ 1/16W J	1	
	R1294	RK73HB1J101J	MG RESISTOR	100Ω 1/16W J	1	
	R1295	RK73HB1J101J	MG RESISTOR	100Ω 1/16W J	1	
	R1296	RK73HB1J472J	MG RESISTOR	4.7kΩ 1/16W J	1	
	R1301	RK73HB1J333J	MG RESISTOR	33kΩ 1/16W J	1	
	R1302	RK73HB1J473J	MG RESISTOR	47kΩ 1/16W J	1	
	R1303	RK73HB1J473J	MG RESISTOR	47kΩ 1/16W J	1	
	R1304	RK73HB1J331J	MG RESISTOR	330Ω 1/16W J	1	
	R1307	RK73HB1J360J	MG RESISTOR	36Ω 1/16W J	1	
	R1308	RK73HB1J103J	MG RESISTOR	10kΩ 1/16W J	1	
	R1309	RK73HB1J123J	MG RESISTOR	12kΩ 1/16W J	1	
	R1310	RK73HB1J000J	MG RESISTOR	0Ω 1/16W J	1	E1,Q1,R1,E2,Q2,R2
	R1311	RK73HB1J000J	MG RESISTOR	0Ω 1/16W J	1	
	R1314	RK73HB1J104J	MG RESISTOR	100kΩ 1/16W J	1	
	R1315	RK73HB1J000J	MG RESISTOR	0Ω 1/16W J	1	
	R1316	RK73HB1J104J	MG RESISTOR	100kΩ 1/16W J	1	
	R1317	RK73HB1J104J	MG RESISTOR	100kΩ 1/16W J	1	K1,K2
	R1325	RK73HB1J000J	MG RESISTOR	0Ω 1/16W J	1	E1,Q1,R1,E2,Q2,R2
	R1326	RK73FB2B101J	MG RESISTOR	100Ω 1/10W J	1	K1,K2
	R1327	RK73HB1J104J	MG RESISTOR	100kΩ 1/16W J	1	
	R1350	RK73FB2B100J	MG RESISTOR	10Ω 1/10W J	1	
	R1352	RK73FB2B470J	MG RESISTOR	47Ω 1/10W J	1	K1,K2
	R1356	RK73FB2B101J	MG RESISTOR	100Ω 1/10W J	1	K1,K2
	R1357	RK73HB1J000J	MG RESISTOR	0Ω 1/16W J	1	K1,K2
	R1358	RK73HB1J000J	MG RESISTOR	0Ω 1/16W J	1	E1,Q1,R1,E2,Q2,R2
	R1359	RK73FB2B101J	MG RESISTOR	100Ω 1/10W J	1	K1,K2
	R1360	RK73HB1J000J	MG RESISTOR	0Ω 1/16W J	1	K1,K2
	R1363	RK73HB1J104J	MG RESISTOR	100kΩ 1/16W J	1	
	R1364	RK73HB1J000J	MG RESISTOR	0Ω 1/16W J	1	
	R1368	RK73HB1J102J	MG RESISTOR	1kΩ 1/16W J	1	
	R1369	RK73HB1J103J	MG RESISTOR	10kΩ 1/16W J	1	
	R1370	RK73HB1J103J	MG RESISTOR	10kΩ 1/16W J	1	
	R1371	RK73HB1J221J	MG RESISTOR	220Ω 1/16W J	1	
	R1372	RK73HB1J104J	MG RESISTOR	100kΩ 1/16W J	1	
	R1373	RK73HB1J222J	MG RESISTOR	2.2kΩ 1/16W J	1	
	R1374	RK73HB1J101J	MG RESISTOR	100Ω 1/16W J	1	
	R1375	RK73HB1J472J	MG RESISTOR	4.7kΩ 1/16W J	1	
	R1379	RK73HB1J100J	MG RESISTOR	10Ω 1/16W J	1	
	R1382	RK73FB2B132J	MG RESISTOR	1.3kΩ 1/10W J	1	
	R1383	RK73HB1J000J	MG RESISTOR	0Ω 1/16W J	1	
	R1384	RK73HB1J000J	MG RESISTOR	0Ω 1/16W J	1	
	R1385	RK73HB1J102J	MG RESISTOR	1kΩ 1/16W J	1	
	R1386	RK73HB1J222J	MG RESISTOR	2.2kΩ 1/16W J	1	
	R1391	RK73HB1J103J	MG RESISTOR	10kΩ 1/16W J	1	
	R1392	RK73HB1J103J	MG RESISTOR	10kΩ 1/16W J	1	
	R1393	RK73HB1J103J	MG RESISTOR	10kΩ 1/16W J	1	
	R1394	RK73HB1J103J	MG RESISTOR	10kΩ 1/16W J	1	
	R1401	RK73FB2B101J	MG RESISTOR	100Ω 1/10W J	1	
	R1402	RK73HB1J473J	MG RESISTOR	47kΩ 1/16W J	1	
	R1403	RK73HB1J471J	MG RESISTOR	470Ω 1/16W J	1	
	R1404	RK73HB1J472J	MG RESISTOR	4.7kΩ 1/16W J	1	
	R1502	RK73HB1J473J	MG RESISTOR	47kΩ 1/16W J	1	
	R1503	RK73HB1J222J	MG RESISTOR	2.2kΩ 1/16W J	1	
	R1542	RK73HB1J000J	MG RESISTOR	0Ω 1/16W J	1	K1,K2
	R1601	RK73HB1J100J	MG RESISTOR	10Ω 1/16W J	1	
	R1912	RK73EB2E332J	MG RESISTOR	3.3kΩ 1/8W J	1	
	R1921	RK73FB2B472J	MG RESISTOR	4.7kΩ 1/10W J	1	
	R1931	RK73HB1J103J	MG RESISTOR	10kΩ 1/16W J	1	
	R1932	RK73HB1J683J	MG RESISTOR	68kΩ 1/16W J	1	
	R1933	RK73HB1J123J	MG RESISTOR	12kΩ 1/16W J	1	
	R1941	RK73HB1J473J	MG RESISTOR	47kΩ 1/16W J	1	
	R1942	RK73HB1J223J	MG RESISTOR	22kΩ 1/16W J	1	
	R1944	RK73HB1J223J	MG RESISTOR	22kΩ 1/16W J	1	
	R1945	RK73HB1J471J	MG RESISTOR	470Ω 1/16W J	1	
	R1946	RK73HB1J473J	MG RESISTOR	47kΩ 1/16W J	1	
	R1947	RK73HB1J473J	MG RESISTOR	47kΩ 1/16W J	1	
	R1948	RK73HB1J223J	MG RESISTOR	22kΩ 1/16W J	1	
	R1952	RK73HB1J472J	MG RESISTOR	4.7kΩ 1/16W J	1	
	R1953	RK73HB1J273J	MG RESISTOR	27kΩ 1/16W J	1	
	R1961	RK73HB1J103J	MG RESISTOR	10kΩ 1/16W J	1	
	R1971	RK73FB2B132J	MG RESISTOR	1.5kΩ 1/8W J	1	
	R6221	RK73HB1J333J	MG RESISTOR	33kΩ 1/16W J	1	
	R6222	RK73HB1J333J	MG RESISTOR	33kΩ 1/16W J	1	
	R7008	RK73HB1J102J	MG RESISTOR	1kΩ 1/16W J	1	
	R7011	RK73HB1J101J	MG RESISTOR	100Ω 1/16W J	1	K1,K2
	R7014	RK73HB1J154J	MG RESISTOR	150kΩ 1/16W J	1	
	R7017	RK73HB1J101J	MG RESISTOR	100Ω 1/16W J	1	
	R7024	RK73HB1J473J	MG RESISTOR	47kΩ 1/16W J	1	
	R7025	RK73HB1J101J	MG RESISTOR	100Ω 1/16W J	1	
	R7038	RK73HB1J101J	MG RESISTOR	100Ω 1/16W J	1	
	R7040	RK73HB1J473J	MG RESISTOR	47kΩ 1/16W J	1	
	R7046	RK73HB1J222J	MG RESISTOR	2.2kΩ 1/16W J	1	
	R7048	RK73HB1J472J	MG RESISTOR	4.7kΩ 1/16W J	1	
	R7062	RK73HB1J102J	MG RESISTOR	1kΩ 1/16W J	1	
	R7063	RK73HB1J102J	MG RESISTOR	1kΩ 1/16W J	1	

MODEL	MARK	MODEL	MARK	MODEL	MARK	MODEL	MARK
DDX3023	E1	DDX3053	Q1	DDX3070	R1	DDX370	K1
DDX4023BT	E2	DDX4053BT	Q2	DDX4070BT	R2	DDX470	K2

Safe	Symbol No.	Parts No.	Parts Name	Description	QTY	Local
	R7064	RK73HB1J102J	MG RESISTOR	1kΩ 1/16W J	1	
	R7065	RK73HB1J221J	MG RESISTOR	220Ω 1/16W J	1	
	R7066	RK73HB1J221J	MG RESISTOR	220Ω 1/16W J	1	
	R7072	RK73GB2A102J	MG RESISTOR	1kΩ 1/16W J	1	
	R7073	RK73GB2A102J	MG RESISTOR	1kΩ 1/16W J	1	
	R7088	RK73HB1J102J	MG RESISTOR	1kΩ 1/16W J	1	
	R7089	RK73HB1J102J	MG RESISTOR	1kΩ 1/16W J	1	
	R7092	RK73HB1J102J	MG RESISTOR	1kΩ 1/16W J	1	
	R7093	RK73HB1J102J	MG RESISTOR	1kΩ 1/16W J	1	
	R7095	RK73HB1J102J	MG RESISTOR	1kΩ 1/16W J	1	
	R7103	RK73HB1J101J	MG RESISTOR	100Ω 1/16W J	1	
	R7115	RK73HB1J222J	MG RESISTOR	2.2kΩ 1/16W J	1	
	R7116	RK73HB1J222J	MG RESISTOR	2.2kΩ 1/16W J	1	
	R7117	RK73HB1J000J	MG RESISTOR	0Ω 1/16W J	1	
	R7118	RK73HB1J472J	MG RESISTOR	4.7kΩ 1/16W J	1	
	R7119	RK73HB1J102J	MG RESISTOR	1kΩ 1/16W J	1	
	R7121	RK73HB1J102J	MG RESISTOR	1kΩ 1/16W J	1	
	R7122	RK73HB1J102J	MG RESISTOR	1kΩ 1/16W J	1	
	R7130	RK73HB1J101J	MG RESISTOR	100Ω 1/16W J	1	
	R7201	RK73HB1J473J	MG RESISTOR	47kΩ 1/16W J	1	
	R7202	RK73HB1J473J	MG RESISTOR	47kΩ 1/16W J	1	
	R7301	RK73HB1J223J	MG RESISTOR	22kΩ 1/16W J	1	
	R7302	RK73HB1J473J	MG RESISTOR	47kΩ 1/16W J	1	
	R7303	RK73HB1J223J	MG RESISTOR	22kΩ 1/16W J	1	
	R7304	RK73HB1J103J	MG RESISTOR	10kΩ 1/16W J	1	
	R7502	RK73HB1J101J	MG RESISTOR	100Ω 1/16W J	1	
	R7505	RK73HB1J912J	MG RESISTOR	9.1kΩ 1/16W J	1	
	R7506	RK73HB1J104J	MG RESISTOR	100kΩ 1/16W J	1	
	R7777	RK73HB1J103J	MG RESISTOR	10kΩ 1/16W J	1	
	R8000	RK73HB1J102J	MG RESISTOR	1kΩ 1/16W J	1	
	R8001	RK73HB1J102J	MG RESISTOR	1kΩ 1/16W J	1	
	R8005	RK73EB2E100J	MG RESISTOR	10Ω 1/8W J	1	
	R8006	RK73HB1J103J	MG RESISTOR	10kΩ 1/16W J	1	
	R8007	RK73HH1J104D	MG RESISTOR	100kΩ 1/16W D	1	
	R8008	R92-5251-08	MG RESISTOR	24kΩ 1/16W D	1	
	R8009	RK73HB1J103J	MG RESISTOR	10kΩ 1/16W J	1	
	R8010	RK73HB1J103J	MG RESISTOR	10kΩ 1/16W J	1	
	R8030	RK73HB1J103J	MG RESISTOR	10kΩ 1/16W J	1	
	R8031	RK73HB1J102J	MG RESISTOR	1kΩ 1/16W J	1	
	R8032	RK73HB1J103J	MG RESISTOR	10kΩ 1/16W J	1	
	R8033	RK73HB1J102J	MG RESISTOR	1kΩ 1/16W J	1	
	R8034	RK73EB2E100J	MG RESISTOR	10Ω 1/8W J	1	
	R8036	RK73HB1J103J	MG RESISTOR	10kΩ 1/16W J	1	
	R8037	RK73HH1J104D	MG RESISTOR	100kΩ 1/16W D	1	
	R8038	R92-5251-08	MG RESISTOR	24kΩ 1/16W D	1	
	R8039	RK73HB1J000J	MG RESISTOR	0Ω 1/16W J	1	
	R8041	RK73HB1J223J	MG RESISTOR	22kΩ 1/16W J	1	
	R8042	RK73HB1J103J	MG RESISTOR	10kΩ 1/16W J	1	
	R8101	RK73HB1J683J	MG RESISTOR	68kΩ 1/16W J	1	
	R8102	RK73HB1J823J	MG RESISTOR	82kΩ 1/16W J	1	
	R8103	RK73HH1J333D	MG RESISTOR	33kΩ 1/16W D	1	
	R8104	RK73HH1J333D	MG RESISTOR	33kΩ 1/16W D	1	
	R8105	RK73HB1J121J	MG RESISTOR	120Ω 1/16W J	1	
	R8106	RK73HB1J222J	MG RESISTOR	2.2kΩ 1/16W J	1	
	R8107	RK73HB1J222J	MG RESISTOR	2.2kΩ 1/16W J	1	
	R8109	RK73HH1J471D	MG RESISTOR	470Ω 1/16W D	1	
	R8110	RK73HH1J122D	MG RESISTOR	1.2kΩ 1/16W D	1	
	R8111	RK73HH1J102D	MG RESISTOR	1kΩ 1/16W D	1	
	R8115	RK73HB1J5R6J	MG RESISTOR	5.6Ω 1/16W J	1	
	R8201	RK73HB1J683J	MG RESISTOR	68kΩ 1/16W J	1	
	R8202	RK73HB1J683J	MG RESISTOR	68kΩ 1/16W J	1	
	R8203	RK73HH1J333D	MG RESISTOR	33kΩ 1/16W D	1	
	R8204	RK73HH1J333D	MG RESISTOR	33kΩ 1/16W D	1	
	R8205	RK73HB1J562J	MG RESISTOR	5.6kΩ 1/16W J	1	
	R8206	RK73HB1J821J	MG RESISTOR	820Ω 1/16W J	1	
	R8207	RK73HB1J471J	MG RESISTOR	470Ω 1/16W J	1	
	R8208	RK73HB1J103J	MG RESISTOR	10kΩ 1/16W J	1	
	R8209	RK73HH1J472D	MG RESISTOR	4.7kΩ 1/16W D	1	
	R8210	RK73HH1J123D	MG RESISTOR	12kΩ 1/16W D	1	
	R8211	RK73HH1J102D	MG RESISTOR	1kΩ 1/16W D	1	
	R8212	RK73HB1J333J	MG RESISTOR	33kΩ 1/16W J	1	
	R8213	RK73HB1J123J	MG RESISTOR	12kΩ 1/16W J	1	
	R8214	RK73HB1J150J	MG RESISTOR	15Ω 1/16W J	1	
	R8215	RK73HB1J100J	MG RESISTOR	10Ω 1/16W J	1	
	R8216	RK73FB2B100J	MG RESISTOR	10Ω 1/10W J	1	
	R8217	RK73HB1J000J	MG RESISTOR	0Ω 1/16W J	1	
	R8301	RK73HB1J333J	MG RESISTOR	33kΩ 1/16W J	1	
	R8302	RK73HB1J473J	MG RESISTOR	47kΩ 1/16W J	1	
	R8303	RK73HB1J122J	MG RESISTOR	1.2kΩ 1/16W J	1	
	R8309	RK73HB1J000J	MG RESISTOR	0Ω 1/16W J	1	
	R9993	RK73HB1J000J	MG RESISTOR	0Ω 1/16W J	1	
	R9998	RK73GB2A000J	MG RESISTOR	0Ω 1/10W J	1	
	R9999	RK73GB2A000J	MG RESISTOR	0Ω 1/10W J	1	
	RA131	RK74HB1J392J	NET RESISTOR	3.9kΩ J	1	
	RA722	RK74HB1J102J	NET RESISTOR	1kΩ J	1	E2,Q2,R2,K2
	RA723	RK74HB1J470J	NET RESISTOR	47Ω J	1	
	RA724	RK74HB1J102J	NET RESISTOR	1kΩ J	1	
	RA725	RK74HB1J102J	NET RESISTOR	1kΩ J	1	
	RA729	RK74HB1J101J	NET RESISTOR	100Ω J	1	
	RA731	RK74HB1J102J	NET RESISTOR	1kΩ J	1	
	L1	L30-0790-08	RF COIL		1	
	L2	L33-2620-08	COIL	560uH J	1	

MODEL	MARK	MODEL	MARK	MODEL	MARK	MODEL	MARK
DDX3023	E1	DDX3053	Q1	DDX3070	R1	DDX370	K1
DDX4023BT	E2	DDX4053BT	Q2	DDX4070BT	R2	DDX470	K2

Safe	Symbol No.	Parts No.	Parts Name	Description	QTY	Local
	L3	L40-2781-86	P COIL	0.27uH K	1	
	L5	L33-2620-08	COIL	560uH J	1	
	L6	L33-2497-08	COIL	4.7uH M	1	
	L8	L40-4781-86	P COIL	0.47uH K	1	
	L9	L33-2657-08	P COIL	4.7uH K	1	
	L10	L40-4781-86	P COIL	0.47uH K	1	
	L11	L33-2500-08	P COIL	1.8uH K	1	
	L801	L33-2505-08	COIL	22uH M	1	
	L901	L33-2436-05	CHOKO COIL		1	
	L902	L33-2625-08	COIL	100uH M	1	
	L961	L92-1001-05	CHOKO COIL		1	
	L8001	L33-2493-05	COIL	22uH M	1	
	L8002	L33-2505-08	COIL	22uH M	1	
	L8031	L33-2493-05	COIL	22uH M	1	
	L8101	L33-2493-05	COIL	22uH M	1	
	L8201	L33-2653-08	COIL	47uH M	1	
	CN101	E41-3070-08	W TO B CONNE	W-B (1-4)	1	
	CN103	E41-3299-08	FFC/FPC CONNE	FFC/FPC (1-12)	1	E2,Q2,R2,K2
	CN104	E41-3364-08	FFC/FPC CONNE	FFC/FPC (1-14)	1	
	CN105	E41-3365-08	FFC/FPC CONNE	FFC/FPC (1-50)	1	
	CN108	E41-3366-08	FFC/FPC CONNE	FFC/FPC (1-12)	1	
	CN110	E41-2248-05	W TO B CONNE	W-B (1-8)	1	
	CN111	E41-1685-05	W TO B CONNE	W-B (1-5)	1	
	CN112	E41-3067-08	W TO B CONNE	W-B (1-2)	1	
	CN120	E41-3365-08	FFC/FPC CONNE	FFC/FPC (1-50)	1	
	CN901	E58-0991-05	CAR CONNECTOR		1	
△	F151	F53-0469-08	FUSE	5A	1	K1,K2
△	F801	F53-0513-08	FUSE	4A	1	
△	F831	F53-0487-05	FUSE	1.6A	1	
	J101	E04-0346-08	ANT TERMINAL		1	
	J151	QNZ0907-001	CIR CONNECTOR		1	K1,K2
	J1001	E63-0998-08	PIN JACK		1	
	J1003	E11-0680-08	3.5 JACK		1	
	K1	NQR0269-026X	FERRITE BEADS	10.500mA	1	
	TH131	NAD0052-471X	P THERMISTOR	470Ω	1	
	VA111	VR1005CCA270	VARIATOR(ZNR)	27V	1	
	VA121	VR1005CCA270	VARIATOR(ZNR)	27V	1	
	VA131	VR1005CCA270	VARIATOR(ZNR)	27V	1	
	VA151	VR1005CCA270	VARIATOR(ZNR)	27V	1	K1,K2
	VA152	VR1005CCA270	VARIATOR(ZNR)	27V	1	K1,K2
	VA153	VR1005CCA270	VARIATOR(ZNR)	27V	1	K1,K2
	VA154	VR1005CCA270	VARIATOR(ZNR)	27V	1	K1,K2
	VA155	VR1005CCA270	VARIATOR(ZNR)	27V	1	K1,K2
	VA156	VR1005CCA270	VARIATOR(ZNR)	27V	1	K1,K2
	VA941	VR1005CCA270	VARIATOR(ZNR)	27V	1	
	X1	L77-3840-08	CRYSTAL		1	
	X701	L77-3887-08	CRYSTAL		1	
	X702	L77-3806-08	CRYSTAL	32.768KHz	1	
SUB UNIT (LVA11128-3xA) <SU>						
	IC201	NJM2561F1-X	IC		1	
	IC211	NJM2535V-ZB	IC		1	
	IC231	NJM2535V-ZB	IC		1	
	IC241	NJM2505AF-ZB	IC		1	
	D296	MC2850-T111	SI DIODE		1	E1,Q1,R1,E2,Q2,R2
	C200	C90-6894-08	E CAPACITOR	10uF 25V M	1	
	C201	CK73HB1A104K	C CAPACITOR	0.1uF 10V K	1	
	C202	C92-2056-08	E CAPACITOR	470uF 10V M	1	
	C203	CK73HB1A104K	C CAPACITOR	0.1uF 10V K	1	
	C211	CK73GB1A105K	C CAPACITOR	1uF 16V K	1	
	C212	CK73GB1A105K	C CAPACITOR	1uF 16V K	1	
	C213	CK73GB1A105K	C CAPACITOR	1uF 16V K	1	
	C214	CK73HB1A104K	C CAPACITOR	0.1uF 10V K	1	
	C221	CC73GCH1H101J	C CAPACITOR	100pF 50V J	1	
	C222	CC73GCH1H101J	C CAPACITOR	100pF 50V J	1	
	C223	CK73GB1H102K	C CAPACITOR	1000pF 50V K	1	
	C231	CK73GB1A105K	C CAPACITOR	1uF 16V K	1	
	C232	CK73GB1A105K	C CAPACITOR	1uF 16V K	1	
	C233	CK73GB1A105K	C CAPACITOR	1uF 16V K	1	
	C234	CK73HB1A104K	C CAPACITOR	0.1uF 10V K	1	
	C241	CK73FB1C475K	C CAPACITOR	4.7uF 16V K	1	
	C242	CK73FB1C475K	C CAPACITOR	4.7uF 16V K	1	
	C243	CK73GB1A105K	C CAPACITOR	1uF 16V K	1	
	C244	CK73HB1A104K	C CAPACITOR	0.1uF 10V K	1	
	C261	C93-1512-08	C CAPACITOR	0.1uF 16V K	1	E1,Q1,R1,E2,Q2,R2
	C271	C93-1512-08	C CAPACITOR	0.1uF 16V K	1	E1,Q1,R1,E2,Q2,R2
	C281	C93-1512-08	C CAPACITOR	0.1uF 16V K	1	E1,Q1,R1,E2,Q2,R2
	C296	CK73GB1H473K	C CAPACITOR	0.047uF 50V K	1	E1,Q1,R1,E2,Q2,R2
	C2102	CK73GB1A105K	C CAPACITOR	1uF 16V K	1	E1,Q1,R1,E2,Q2,R2
	C2202	CK73GB1A105K	C CAPACITOR	1uF 16V K	1	E1,Q1,R1,E2,Q2,R2
	C2302	CK73GB1A105K	C CAPACITOR	1uF 16V K	1	E1,Q1,R1,E2,Q2,R2
	R201	RK73GB2A750J	MG RESISTOR	75Ω 1/16W J	1	
	R215	RK73HH1J151D	MG RESISTOR	150Ω 1/16W D	1	
	R218	RK73HB1J000J	MG RESISTOR	0Ω 1/16W J	1	
	R219	RK73FB2B000J	MG RESISTOR	0Ω 1/10W J	1	
	R221	RK73GB2A473J	MG RESISTOR	47kΩ 1/16W J	1	
	R222	RK73GB2A473J	MG RESISTOR	47kΩ 1/16W J	1	
	R225	RK73GB2A750J	MG RESISTOR	75Ω 1/16W J	1	
	R231	RK73GB2A750J	MG RESISTOR	75Ω 1/16W J	1	
	R241	RK73HB1J471J	MG RESISTOR	470Ω 1/16W J	1	

MODEL	MARK	MODEL	MARK	MODEL	MARK	MODEL	MARK
DDX3023	E1	DDX3053	Q1	DDX3070	R1	DDX370	K1
DDX4023BT	E2	DDX4053BT	Q2	DDX4070BT	R2	DDX470	K2

Safe	Symbol No.	Parts No.	Parts Name	Description	QTY	Local
	R242	RK73HB1J471J	MG RESISTOR	470Ω 1/16W J	1	
	R243	RK73GB2A750J	MG RESISTOR	75Ω 1/16W J	1	
	R245	RK73HB1J154J	MG RESISTOR	150kΩ 1/16W J	1	
	R246	RK73HB1J104J	MG RESISTOR	100kΩ 1/16W J	1	
	R248	RK73HB1J000J	MG RESISTOR	0Ω 1/16W J	1	
	R251	RK73FB2B101J	MG RESISTOR	100Ω 1/10W J	1	E1,Q1,R1,E2,Q2,R2
	R252	RK73FB2B101J	MG RESISTOR	100Ω 1/10W J	1	E1,Q1,R1,E2,Q2,R2
	R261	RK73HB1J101J	MG RESISTOR	100Ω 1/16W J	1	E1,Q1,R1,E2,Q2,R2
	R268	RK73GB2A750J	MG RESISTOR	75Ω 1/16W J	1	E1,Q1,R1,E2,Q2,R2
	R271	RK73HB1J101J	MG RESISTOR	100Ω 1/16W J	1	E1,Q1,R1,E2,Q2,R2
	R278	RK73GB2A750J	MG RESISTOR	75Ω 1/16W J	1	E1,Q1,R1,E2,Q2,R2
	R281	RK73HB1J101J	MG RESISTOR	100Ω 1/16W J	1	E1,Q1,R1,E2,Q2,R2
	R288	RK73GB2A750J	MG RESISTOR	75Ω 1/16W J	1	E1,Q1,R1,E2,Q2,R2
	R291	RK73HB1J100J	MG RESISTOR	10Ω 1/16W J	1	E1,Q1,R1,E2,Q2,R2
	R295	RK73FB2B101J	MG RESISTOR	100Ω 1/10W J	1	E1,Q1,R1,E2,Q2,R2
	R296	RK73GB2A471J	MG RESISTOR	470Ω 1/16W J	1	E1,Q1,R1,E2,Q2,R2
	R2101	RK73FB2B101J	MG RESISTOR	100Ω 1/10W J	1	E1,Q1,R1,E2,Q2,R2
	R2201	RK73FB2B101J	MG RESISTOR	100Ω 1/10W J	1	E1,Q1,R1,E2,Q2,R2
	RA241	RK74HB1J392J	NET RESISTOR	3.9kΩ J	1	
	CN201	E41-3353-05	FFC/FPC CONNE	FFC/FPC (1-14)	1	
	CN202	E41-3366-08	FFC/FPC CONNE	FFC/FPC (1-12)	1	
	CN221	E41-3070-08	W TO B CONNE	W-B (1-4)	1	
	CN231	E41-1699-05	W TO B CONNE	W-B (1-2)	1	E2,Q2,R2,K2
	CN261	E41-1697-05	W TO B CONNE	W-B (1-7)	1	E1,Q1,R1,E2,Q2,R2
	CN262	E41-1686-05	W TO B CONNE	W-B (1-6)	1	E1,Q1,R1,E2,Q2,R2
	J201	E63-0999-08	PIN JACK		1	
	J2000	E11-0679-08	3.5 JACK		1	E2,Q2,R2,K2
	VA201	VR1005CCA270	VARISTOR(ZNR)	27V	1	
	VA210	VR1005CCA270	VARISTOR(ZNR)	27V	1	E1,Q1,R1,E2,Q2,R2
	VA220	VR1005CCA270	VARISTOR(ZNR)	27V	1	E1,Q1,R1,E2,Q2,R2
	VA221	VR1005CCA270	VARISTOR(ZNR)	27V	1	
	VA222	VR1005CCA270	VARISTOR(ZNR)	27V	1	
	VA223	VR1005CCA270	VARISTOR(ZNR)	27V	1	
	VA225	VR1005CCA270	VARISTOR(ZNR)	27V	1	
	VA233	VR1005CCA270	VARISTOR(ZNR)	27V	1	
	VA249	VR1005CCA270	VARISTOR(ZNR)	27V	1	
	VA251	VR1005CCA270	VARISTOR(ZNR)	27V	1	E1,Q1,R1,E2,Q2,R2
	VA252	VR1005CCA270	VARISTOR(ZNR)	27V	1	E1,Q1,R1,E2,Q2,R2
	VA261	VR1005CCA270	VARISTOR(ZNR)	27V	1	E1,Q1,R1,E2,Q2,R2
	VA271	VR1005CCA270	VARISTOR(ZNR)	27V	1	E1,Q1,R1,E2,Q2,R2
	VA281	VR1005CCA270	VARISTOR(ZNR)	27V	1	E1,Q1,R1,E2,Q2,R2
	VA291	VR1005CCA270	VARISTOR(ZNR)	27V	1	E1,Q1,R1,E2,Q2,R2
	VA295	VR1005CCA270	VARISTOR(ZNR)	27V	1	E1,Q1,R1,E2,Q2,R2
PANEL-A UNIT (LVA11039-5xA) <PA>						
	IC401	MN103SH23	IC(MCU)		1	
	IC404	NL17SZ17XV5-X	IC(DIGITAL)		1	
	IC405	XC6213B122NGX	IC		1	
	IC431	A3V28S40FTP-G6	IC		1	
	IC441	JVM616C	PROGRAMED IC	IC441 IC451 will need to be replaced in pairs	1	
	IC451	JVM617C	PROGRAMED IC	IC441 IC451 will need to be replaced in pairs	1	
	IC501	NJM2831F92-X	IC		1	
	IC511	NJM2904V-X	IC		1	
	Q4002	DRC9114E	DIGI TRANSISTOR		1	E1,Q1,R1,E2,Q2,R2
	Q4601	DSA5001/R/	TRANSISTOR		1	
	Q4611	DSA5001/R/	TRANSISTOR		1	
	Q4621	DSA5001/R/	TRANSISTOR		1	
	Q4631	DSA5001/R/	TRANSISTOR		1	
	Q5201	DRC9114E	DIGI TRANSISTOR		1	
	Q5202	DSC5001/R/	TRANSISTOR		1	
	Q5203	DSC5001/R/	TRANSISTOR		1	
	Q5301	DSA5001/R/	TRANSISTOR		1	
	Q5302	DSA5001/R/	TRANSISTOR		1	
	D4001	DA2J101-X	SI DIODE		1	E1,Q1,R1,E2,Q2,R2
	D5201	DA2J101-X	SI DIODE		1	
	D5202	RKZ18B2KG-X	Z DIODE		1	
	C4001	CC73HCH1H060D	C CAPACITOR	6pF 50V J	1	
	C4002	CC73HCH1H060D	C CAPACITOR	6pF 50V J	1	
	C4010	CK73HB1A104K	C CAPACITOR	0.1uF 10V K	1	
	C4013	CK73HB1A104K	C CAPACITOR	0.1uF 10V K	1	
	C4019	CK73HB1A104K	C CAPACITOR	0.1uF 10V K	1	
	C4020	CK73HB0J105K	C CAPACITOR	1uF 6.3V K	1	
	C4028	CK73HB1A104K	C CAPACITOR	0.1uF 10V K	1	
	C4038	CK73HB1A104K	C CAPACITOR	0.1uF 10V K	1	
	C4039	CK73HB0J105K	C CAPACITOR	1uF 6.3V K	1	
	C4049	CK73HB1A104K	C CAPACITOR	0.1uF 10V K	1	
	C4051	CK73HB1A104K	C CAPACITOR	0.1uF 10V K	1	
	C4055	CK73HB1A104K	C CAPACITOR	0.1uF 10V K	1	
	C4056	CK73FB0J106K	C CAPACITOR	10uF 6.3V K	1	
	C4057	CK73FB0J106K	C CAPACITOR	10uF 6.3V K	1	
	C4066	CK73HB1A104K	C CAPACITOR	0.1uF 10V K	1	
	C4067	CK73HB0J105K	C CAPACITOR	1uF 6.3V K	1	
	C4069	CK73HB1A104K	C CAPACITOR	0.1uF 10V K	1	
	C4074	CK73HB1A104K	C CAPACITOR	0.1uF 10V K	1	
	C4075	CK73HB0J105K	C CAPACITOR	1uF 6.3V K	1	
	C4085	CK73HB1A104K	C CAPACITOR	0.1uF 10V K	1	
	C4094	CK73HB1E103K	C CAPACITOR	0.01uF 16V K	1	
	C4095	CK73HB1A104K	C CAPACITOR	0.1uF 10V K	1	
	C4097	CK73HB1A104K	C CAPACITOR	0.1uF 10V K	1	
	C4103	CK73HB1A104K	C CAPACITOR	0.1uF 10V K	1	
	C4106	CK73HB1A104K	C CAPACITOR	0.1uF 10V K	1	

MODEL	MARK	MODEL	MARK	MODEL	MARK	MODEL	MARK
DDX3023	E1	DDX3053	Q1	DDX3070	R1	DDX370	K1
DDX4023BT	E2	DDX4053BT	Q2	DDX4070BT	R2	DDX470	K2

Safe	Symbol No.	Parts No.	Parts Name	Description	QTY	Local
	C4107	CK73HB1A104K	C CAPACITOR	0.1uF 10V K	1	
	C4120	CK73HB1A104K	C CAPACITOR	0.1uF 10V K	1	
	C4121	CK73HB1A104K	C CAPACITOR	0.1uF 10V K	1	
	C4122	CK73HB1A104K	C CAPACITOR	0.1uF 10V K	1	
	C4129	CC73GCH1H151J	C CAPACITOR	150pF 50V J	1	
	C4135	CK73HB1A104K	C CAPACITOR	0.1uF 10V K	1	
	C4145	CK73HB1A104K	C CAPACITOR	0.1uF 10V K	1	
	C4154	CK73HB1H102K	C CAPACITOR	1000pF 50V K	1	
	C4155	CK73HB1H102K	C CAPACITOR	1000pF 50V K	1	
	C4157	CK73HB1A104K	C CAPACITOR	0.1uF 10V K	1	
	C4159	CC73HCH1H101J	C CAPACITOR	100pF 50V J	1	E1,Q1,R1,E2,Q2,R2
	C4160	CC73HCH1H330J	C CAPACITOR	33pF 50V J	1	
	C4161	CC73HCH1H560J	C CAPACITOR	56pF 50V J	1	E1,Q1,R1,E2,Q2,R2
	C4163	CK73HB1A104K	C CAPACITOR	0.1uF 10V K	1	
	C4164	CK73HB1A104K	C CAPACITOR	0.1uF 10V K	1	
	C4165	CK73HB1A104K	C CAPACITOR	0.1uF 10V K	1	
	C4166	CK73HB1A104K	C CAPACITOR	0.1uF 10V K	1	
	C4168	CK73FB0J226M	C CAPACITOR	22uF 6.3V M	1	
	C4169	CK73HB1A104K	C CAPACITOR	0.1uF 10V K	1	
	C4171	CK73HB1A104K	C CAPACITOR	0.1uF 10V K	1	
	C4172	CK73HB1A104K	C CAPACITOR	0.1uF 10V K	1	
	C4173	CK73HB1A104K	C CAPACITOR	0.1uF 10V K	1	
	C4176	CK73HB1A104K	C CAPACITOR	0.1uF 10V K	1	
	C4177	CK73HB1A104K	C CAPACITOR	0.1uF 10V K	1	
	C4178	CK73HB1A104K	C CAPACITOR	0.1uF 10V K	1	
	C4182	CK73HB1A104K	C CAPACITOR	0.1uF 10V K	1	
	C4183	CK73HB0J105K	C CAPACITOR	1uF 6.3V K	1	
	C4190	CK73HB1A104K	C CAPACITOR	0.1uF 10V K	1	
	C4196	CK73HB1A104K	C CAPACITOR	0.1uF 10V K	1	
	C4201	CK73HB1A104K	C CAPACITOR	0.1uF 10V K	1	
	C4210	CK73HB1A104K	C CAPACITOR	0.1uF 10V K	1	
	C4217	CK73FB0J475K	C CAPACITOR	4.7uF 6.3V K	1	
	C4218	CK73HB1A104K	C CAPACITOR	0.1uF 10V K	1	
	C4301	CK73HB1A104K	C CAPACITOR	0.1uF 10V K	1	
	C4303	CK73HB1A104K	C CAPACITOR	0.1uF 10V K	1	
	C4309	CK73HB1A104K	C CAPACITOR	0.1uF 10V K	1	
	C4314	CK73HB1A104K	C CAPACITOR	0.1uF 10V K	1	
	C4327	CK73FB0J106K	C CAPACITOR	10uF 6.3V K	1	
	C4343	CK73HB1A104K	C CAPACITOR	0.1uF 10V K	1	
	C4349	CK73HB1A104K	C CAPACITOR	0.1uF 10V K	1	
	C4354	CK73FB0J106K	C CAPACITOR	10uF 6.3V K	1	
	C4408	CK73HB1A104K	C CAPACITOR	0.1uF 10V K	1	
	C4409	CK73FB0J106K	C CAPACITOR	10uF 6.3V K	1	
	C4508	CK73HB1A104K	C CAPACITOR	0.1uF 10V K	1	
	C4601	CK73HB1A104K	C CAPACITOR	0.1uF 10V K	1	
	C4602	CC73HCH1H680J	C CAPACITOR	68pF 50V J	1	
	C4604	CC73HCH1H180J	C CAPACITOR	18pF 50V J	1	
	C4605	CK73FB0J106K	C CAPACITOR	10uF 6.3V K	1	
	C4614	CC73HCH1H560J	C CAPACITOR	56pF 50V J	1	
	C4615	CK73HB0J105K	C CAPACITOR	1uF 6.3V K	1	
	C4616	CK73HB0J105K	C CAPACITOR	1uF 6.3V K	1	
	C4624	CC73HCH1H560J	C CAPACITOR	56pF 50V J	1	
	C4625	CK73HB0J105K	C CAPACITOR	1uF 6.3V K	1	
	C4626	CK73HB0J105K	C CAPACITOR	1uF 6.3V K	1	
	C4634	CC73HCH1H560J	C CAPACITOR	56pF 50V J	1	
	C4635	CK73HB0J105K	C CAPACITOR	1uF 6.3V K	1	
	C4636	CK73HB0J105K	C CAPACITOR	1uF 6.3V K	1	
	C5001	CK73GB1H104K	C CAPACITOR	0.1uF 50V K	1	
	C5002	C93-1512-08	C CAPACITOR	0.1uF 16V K	1	
	C5003	CK73FB0J106K	C CAPACITOR	10uF 6.3V K	1	
	C5004	CK73FB1C106K	C CAPACITOR	10uF 16V K	1	
	C5005	CK73HB0J105K	C CAPACITOR	1uF 6.3V K	1	
	C5010	CK73GB1A105K	C CAPACITOR	1uF 16V K	1	
	C5011	CK73GB1H104K	C CAPACITOR	0.1uF 50V K	1	
	C5103	C93-1512-08	C CAPACITOR	0.1uF 16V K	1	
	C5201	CK73GB1H104K	C CAPACITOR	0.1uF 50V K	1	
	C5202	CK73FB1E105K	C CAPACITOR	1uF 25V K	1	
	C5203	CK73GB1H104K	C CAPACITOR	0.1uF 50V K	1	
	C5301	C93-1512-08	C CAPACITOR	0.1uF 16V K	1	
	C5302	CK73HB1A104K	C CAPACITOR	0.1uF 10V K	1	
	R4001	RK73HB1J681J	MG RESISTOR	680Ω 1/16W J	1	
	R4002	RK73HB1J105J	MG RESISTOR	1MΩ 1/16W J	1	
	R4030	RK73HB1J680J	MG RESISTOR	68Ω 1/16W J	1	
	R4053	RK73HB1J680J	MG RESISTOR	68Ω 1/16W J	1	
	R4054	RK73HB1J680J	MG RESISTOR	68Ω 1/16W J	1	
	R4058	RK73HB1J103J	MG RESISTOR	10kΩ 1/16W J	1	
	R4060	RK73HB1J101J	MG RESISTOR	100Ω 1/16W J	1	
	R4062	RK73HB1J102J	MG RESISTOR	1kΩ 1/16W J	1	
	R4063	RK73HB1J102J	MG RESISTOR	1kΩ 1/16W J	1	
	R4064	RK73HB1J101J	MG RESISTOR	100Ω 1/16W J	1	
	R4065	RK73HB1J102J	MG RESISTOR	1kΩ 1/16W J	1	
	R4066	RK73HB1J101J	MG RESISTOR	100Ω 1/16W J	1	
	R4067	RK73HB1J101J	MG RESISTOR	100Ω 1/16W J	1	
	R4069	RK73HB1J101J	MG RESISTOR	100Ω 1/16W J	1	
	R4070	RK73HB1J101J	MG RESISTOR	100Ω 1/16W J	1	
	R4077	RK73HB1J101J	MG RESISTOR	100Ω 1/16W J	1	
	R4078	RK73HB1J680J	MG RESISTOR	68Ω 1/16W J	1	
	R4079	RK73HB1J680J	MG RESISTOR	68Ω 1/16W J	1	
	R4083	RK73HB1J680J	MG RESISTOR	68Ω 1/16W J	1	
	R4087	RK73HB1J680J	MG RESISTOR	68Ω 1/16W J	1	
	R4091	RK73HB1J680J	MG RESISTOR	68Ω 1/16W J	1	
	R4127	RK73HB1J101J	MG RESISTOR	100Ω 1/16W J	1	
	R4128	RK73HB1J101J	MG RESISTOR	100Ω 1/16W J	1	
	R4129	RK73HB1J470J	MG RESISTOR	47Ω 1/16W J	1	

MODEL	MARK	MODEL	MARK	MODEL	MARK	MODEL	MARK
DDX3023	E1	DDX3053	Q1	DDX3070	R1	DDX370	K1
DDX4023BT	E2	DDX4053BT	Q2	DDX4070BT	R2	DDX470	K2

Safe	Symbol No.	Parts No.	Parts Name	Description	QTY	Local
	R4130	RK73HB1J102J	MG RESISTOR	1kΩ 1/16W J	1	
	R4131	RK73HB1J101J	MG RESISTOR	100Ω 1/16W J	1	
	R4132	RK73HB1J220J	MG RESISTOR	22Ω 1/16W J	1	
	R4133	RK73HB1J470J	MG RESISTOR	47Ω 1/16W J	1	
	R4136	RK73HB1J470J	MG RESISTOR	47Ω 1/16W J	1	
	R4137	RK73HB1J101J	MG RESISTOR	100Ω 1/16W J	1	
	R4138	RK73HB1J330J	MG RESISTOR	33Ω 1/16W J	1	
	R4146	RK73HB1J472J	MG RESISTOR	4.7kΩ 1/16W J	1	
	R4157	RK73HB1J000J	MG RESISTOR	0Ω 1/16W J	1	
	R4161	RK73HB1J101J	MG RESISTOR	100Ω 1/16W J	1	
	R4164	RK73HH1J103D	MG RESISTOR	10kΩ 1/16W D	1	
	R4166	RK73HB1J2R2J	MG RESISTOR	2.2Ω 1/16W J	1	
	R4167	RK73HB1J000J	MG RESISTOR	0Ω 1/16W J	1	
	R4402	RK73HB1J680J	MG RESISTOR	68Ω 1/16W J	1	
	R4501	RK73HB1J000J	MG RESISTOR	0Ω 1/16W J	1	
	R4502	RK73HB1J680J	MG RESISTOR	68Ω 1/16W J	1	
	R4503	RK73HB1J000J	MG RESISTOR	0Ω 1/16W J	1	
	R4516	RK73HB1J000J	MG RESISTOR	0Ω 1/16W J	1	
	R4517	RK73HB1J000J	MG RESISTOR	0Ω 1/16W J	1	
	R4601	RK73HB1J391J	MG RESISTOR	390Ω 1/16W J	1	
	R4606	RK73HB1J152J	MG RESISTOR	1.5kΩ 1/16W J	1	
	R4608	RK73HB1J471J	MG RESISTOR	470Ω 1/16W J	1	
	R4611	RK73HB1J470J	MG RESISTOR	47Ω 1/16W J	1	
	R4613	RK73HB1J103J	MG RESISTOR	10kΩ 1/16W J	1	
	R4614	RK73HB1J103J	MG RESISTOR	10kΩ 1/16W J	1	
	R4615	RK73HB1J151J	MG RESISTOR	150Ω 1/16W J	1	
	R4618	RK73HB1J471J	MG RESISTOR	470Ω 1/16W J	1	
	R4621	RK73HB1J470J	MG RESISTOR	47Ω 1/16W J	1	
	R4623	RK73HB1J103J	MG RESISTOR	10kΩ 1/16W J	1	
	R4624	RK73HB1J103J	MG RESISTOR	10kΩ 1/16W J	1	
	R4625	RK73HB1J151J	MG RESISTOR	150Ω 1/16W J	1	
	R4628	RK73HB1J471J	MG RESISTOR	470Ω 1/16W J	1	
	R4631	RK73HB1J470J	MG RESISTOR	47Ω 1/16W J	1	
	R4633	RK73HB1J103J	MG RESISTOR	10kΩ 1/16W J	1	
	R4634	RK73HB1J103J	MG RESISTOR	10kΩ 1/16W J	1	
	R4635	RK73HB1J151J	MG RESISTOR	150Ω 1/16W J	1	
	R4638	RK73HB1J471J	MG RESISTOR	470Ω 1/16W J	1	
	R4640	RK73HB1J000J	MG RESISTOR	0Ω 1/16W J	1	
	R5001	RK73HH1J101D	MG RESISTOR	100Ω 1/16W D	1	
	R5002	RK73HH1J161D	MG RESISTOR	160Ω 1/16W D	1	
	R5003	RK73HH1J430D	MG RESISTOR	43Ω 1/16W D	1	
	R5004	R92-5558-08	MG RESISTOR	36Ω 1/16W D	1	
	R5005	RK73HH1J101D	MG RESISTOR	100Ω 1/16W D	1	
	R5006	RK73HH1J161D	MG RESISTOR	160Ω 1/16W D	1	
	R5007	RK73HH1J101D	MG RESISTOR	100Ω 1/16W D	1	
	R5008	R92-5558-08	MG RESISTOR	36Ω 1/16W D	1	
	R5009	RK73HH1J430D	MG RESISTOR	43Ω 1/16W D	1	
	R5010	RK73HH1J161D	MG RESISTOR	160Ω 1/16W D	1	
	R5011	RK73HH1J620D	MG RESISTOR	62Ω 1/16W D	1	
	R5020	RK73HB1J101J	MG RESISTOR	100Ω 1/16W J	1	
	R5106	RK73HH1J822D	MG RESISTOR	8.2kΩ 1/16W D	1	
	R5107	RK73HH1J472D	MG RESISTOR	4.7kΩ 1/16W D	1	
	R5109	RK73HB1J105J	MG RESISTOR	1MΩ 1/16W J	1	
	R5201	RK73HB1J473J	MG RESISTOR	47kΩ 1/16W J	1	
	R5203	RK73HB1J183J	MG RESISTOR	18kΩ 1/16W J	1	
	R5204	RK73HB1J183J	MG RESISTOR	18kΩ 1/16W J	1	
	R5205	RK73HB1J471J	MG RESISTOR	470Ω 1/16W J	1	
	R5302	RK73HB1J103J	MG RESISTOR	10kΩ 1/16W J	1	
	R5303	RK73HH1J103D	MG RESISTOR	10kΩ 1/16W D	1	
	R5304	RK73HH1J562D	MG RESISTOR	5.6kΩ 1/16W D	1	
	RA401	RK74HB1J680J	NET RESISTOR	68Ω J	1	
	RA402	RK74HB1J680J	NET RESISTOR	68Ω J	1	
	RA403	RK74HB1J680J	NET RESISTOR	68Ω J	1	
	RA404	RK74HB1J680J	NET RESISTOR	68Ω J	1	
	RA405	RK74HB1J680J	NET RESISTOR	68Ω J	1	
	RA406	RK74HB1J680J	NET RESISTOR	68Ω J	1	
	RA407	RK74HB1J680J	NET RESISTOR	68Ω J	1	
	RA408	RK74HB1J680J	NET RESISTOR	68Ω J	1	
	RA409	RK74HB1J680J	NET RESISTOR	68Ω J	1	
	RA415	RK74HB1J101J	NET RESISTOR	100Ω J	1	
	RA416	RK74HB1J101J	NET RESISTOR	100Ω J	1	
	RA417	RK74HB1J101J	NET RESISTOR	100Ω J	1	
	RA418	RK74HB1J101J	NET RESISTOR	100Ω J	1	
	RA419	RK74HB1J101J	NET RESISTOR	100Ω J	1	
	RA420	RK74HB1J330J	NET RESISTOR	33Ω J	1	
	L4001	L33-2543-08	COIL	47uH M	1	
	L4601	L33-2654-08	COIL	47uH J	1	
	CN401	E41-3367-08	FFC/FPC CONNE	FFC/FPC (1-30)	1	
	CN501	E41-3310-08	FFC/FPC CONNE	FFC/FPC (1-60)	1	
	X4001	L77-3860-08	CRYSTAL		1	
PANEL-B UNIT (GEA10356-01A1) <PB>						
	IC611	BU33TD3WG	IC		1	
	Q6001	DSC5001/R/	TRANSISTOR		1	
	Q6002	DSC5001/R/	TRANSISTOR		1	
	Q6003	DSC5001/R/	TRANSISTOR		1	
	Q6004	DSC5001/R/	TRANSISTOR		1	
	Q6005	DSC7004/RS/-X	TRANSISTOR		1	
	Q6006	DSC5001/R/	TRANSISTOR		1	
	Q6007	DSC5001/R/	TRANSISTOR		1	
	Q6008	DSC5001/R/	TRANSISTOR		1	
	Q6009	DSC5001/R/	TRANSISTOR		1	
	Q6010	DRA9114E	DIGI TRANSISTOR		1	
	Q6011	DR9114E	DIGI TRANSISTOR		1	

MODEL	MARK	MODEL	MARK	MODEL	MARK	MODEL	MARK
DDX3023	E1	DDX3053	Q1	DDX3070	R1	DDX370	K1
DDX4023BT	E2	DDX4053BT	Q2	DDX4070BT	R2	DDX470	K2

Safe	Symbol No.	Parts No.	Parts Name	Description	QTY	Local	
	Q6101	DRA9143Z	DIGI TRANSISTOR		1		
	Q6102	DRC9143Z	DIGI TRANSISTOR		1		
	Q6103	DRC9143Z	DIGI TRANSISTOR		1		
	Q6104	DRA9143Z	DIGI TRANSISTOR		1		
	Q6105	DRC9143Z	DIGI TRANSISTOR		1		
	D6041	RKZ18B2KG-X	Z DIODE		1		
	D6042	RKS801KF	SI DIODE		1		
	D6101	RKZ6.2KG(B2)	Z DIODE		1		
	D6102	RKZ6.2KG(B2)	Z DIODE		1		
	D6103	RKZ6.2KG(B2)	Z DIODE		1		
	D6104	RKZ6.2KG(B2)	Z DIODE		1		
	C6001	CK73GB1H104K	C CAPACITOR	0.1uF 50V K	1		
	C6002	CK73GB1H104K	C CAPACITOR	0.1uF 50V K	1		
	C6003	CK73FB1E105K	C CAPACITOR	1uF 25V K	1		
	C6004	CK73GB1H104K	C CAPACITOR	0.1uF 50V K	1		
	C6015	CK73FB0J106K	C CAPACITOR	10uF 6.3V K	1		
	C6101	CC73GCH1H101J	C CAPACITOR	100pF 50V J	1		
	C6102	CC73GCH1H101J	C CAPACITOR	100pF 50V J	1		
	C6103	CC73GCH1H101J	C CAPACITOR	100pF 50V J	1		
	C6104	CC73GCH1H101J	C CAPACITOR	100pF 50V J	1		
	C6107	CK73HB1A104K	C CAPACITOR	0.1uF 10V K	1		
	C6108	CK73FB0J475K	C CAPACITOR	4.7uF 6.3V K	1		
	R6001	RK73HB1J181J	MG RESISTOR	180Ω 1/16W J	1		
	R6002	RK73HB1J221J	MG RESISTOR	220Ω 1/16W J	1		
	R6003	RK73HB1J181J	MG RESISTOR	180Ω 1/16W J	1		
	R6004	RK73HB1J221J	MG RESISTOR	220Ω 1/16W J	1		
	R6005	RK73HB1J181J	MG RESISTOR	180Ω 1/16W J	1		
	R6006	RK73HB1J221J	MG RESISTOR	220Ω 1/16W J	1		
	R6007	RK73HB1J181J	MG RESISTOR	180Ω 1/16W J	1		
	R6008	RK73HB1J221J	MG RESISTOR	220Ω 1/16W J	1		
	R6009	RK73HB1J000J	MG RESISTOR	0Ω 1/16W J	1		
	R6012	RK73HB1J122J	MG RESISTOR	1.2kΩ 1/16W J	1		
	R6013	RK73HB1J121J	MG RESISTOR	120Ω 1/16W J	1		
	RA601	R92-5559-08	NET RESISTOR	820Ω J	1		
	RA602	RK74HB1J102J	NET RESISTOR	1kΩ J	1		
	RA603	RK74HB1J470J	NET RESISTOR	47Ω J	1		
	L6001	L33-2543-08	COIL	47uH M	1		
	CN603	E41-3367-08	FFC/FPC CONNE	FFC/FPC (1-30)	1		
	CN604	E41-3433-08	FFC/FPC CONNE	FFC/FPC (1-15)	1		
	CN605	E41-3369-08	FFC/FPC CONNE	FFC/FPC (1-10)	1		
	CN606	E41-3300-08	FFC/FPC CONNE	FFC/FPC (1-4)	1		
	CN610	E41-3365-08	FFC/FPC CONNE	FFC/FPC (1-50)	1		
	VA628	VR1005CCA270	VARIATOR(ZNR)	27V	1		
	VA630	VR1005CCA270	VARIATOR(ZNR)	27V	1		
	VA632	VR1005CCA270	VARIATOR(ZNR)	27V	1		
	VA633	VR1005CCA270	VARIATOR(ZNR)	27V	1		
	VA636	VR1005CCA270	VARIATOR(ZNR)	27V	1		
	VA638	VR1005CCA270	VARIATOR(ZNR)	27V	1		
	VA640	VR1005CCA270	VARIATOR(ZNR)	27V	1		
	SWITCH UNIT (GEA10356-01A2) <SW>						
	IC651	PIC95603	IR DETECT UNIT		1		
	Q6201	DSC5001/R/	TRANSISTOR		1		
	Q6202	DSC5001/R/	TRANSISTOR		1		
	Q6203	DSC5001/R/	TRANSISTOR		1		
	D6501	B30-3227-08	LED		1		
	D6502	B30-3227-08	LED		1		
	D6506	SML-D12V8W/PQ	LED		1		
	D6507	SML-D12V8W/PQ	LED		1		
	C6502	CK73FB0J106K	C CAPACITOR	10uF 6.3V K	1		
	R6201	RK73HB1J473J	MG RESISTOR	47kΩ 1/16W J	1		
	R6202	RK73HB1J473J	MG RESISTOR	47kΩ 1/16W J	1		
	R6203	RK73HB1J473J	MG RESISTOR	47kΩ 1/16W J	1		
	R6204	RK73HH1J301D	MG RESISTOR	300Ω 1/16W D	1		
	R6207	RK73HH1J271D	MG RESISTOR	270Ω 1/16W D	1		
	R6208	RK73HH1J301D	MG RESISTOR	300Ω 1/16W D	1		
	R6209	RK73HH1J331D	MG RESISTOR	330Ω 1/16W D	1		
	R6210	RK73HH1J391D	MG RESISTOR	390Ω 1/16W D	1		
	R6212	RK73GB2A470J	MG RESISTOR	47Ω 1/16W J	1		
	R6502	RK73GB2A332J	MG RESISTOR	3.3kΩ 1/16W J	1		
	R6504	RK73GB2A332J	MG RESISTOR	3.3kΩ 1/16W J	1		
	R6505	RK73GB2A302J	MG RESISTOR	3kΩ 1/16W J	1		
	R6507	RK73HB1J100J	MG RESISTOR	10Ω 1/16W J	1		
	R6508	RK73HB1J561J	MG RESISTOR	560Ω 1/16W J	1		
	R6509	RK73HB1J182J	MG RESISTOR	1.8kΩ 1/16W J	1		
	R6510	RK73HB1J222J	MG RESISTOR	2.2kΩ 1/16W J	1		
	RA6512	RK73HB1J561J	NET RESISTOR	560Ω J	1		
	RA6514	RK73HB1J561J	NET RESISTOR	560Ω J	1		
	RA6516	RK73HB1J561J	NET RESISTOR	560Ω J	1		
	CN651	E41-3433-08	FFC/FPC CONNE	FFC/FPC (1-15)	1		
	JS651	T99-0484-05	ROTARY ENCODER		1		
	S6501	S70-0960-05	TACT SWITCH		1		
	S6502	S70-0960-05	TACT SWITCH		1		
	S6503	S70-0960-05	TACT SWITCH		1		
	S6504	S70-0960-05	TACT SWITCH		1		
	S6505	S70-0960-05	TACT SWITCH		1		
	BT UNIT (LVA11181-15A) K2,R2,E2,Q2 <BT>						
	IC301	TCC8600	IC		1	E2,Q2,R2,K2	
	IC302	JVM603B	PROGRAMED IC		1	E2,Q2,R2,K2	
	IC303	A3V28S40FTP-G6	IC		1	E2,Q2,R2,K2	
	IC304	BD6538G	IC		1	E2,Q2,R2,K2	

MODEL	MARK	MODEL	MARK	MODEL	MARK	MODEL	MARK
DDX3023	E1	DDX3053	Q1	DDX3070	R1	DDX370	K1
DDX4023BT	E2	DDX4053BT	Q2	DDX4070BT	R2	DDX470	K2

Safe	Symbol No.	Parts No.	Parts Name	Description	QTY	Local
	IC331	AK4387ET-X	IC		1	E2,Q2,R2,K2
	IC332	NJM4565E-X	IC		1	E2,Q2,R2,K2
	IC341	NJM4565E-X	IC		1	E2,Q2,R2,K2
	IC371	XC6213B182NG-X	IC		1	E2,Q2,R2,K2
	Q3311	2SC1623/5-6/-X	TRANSISTOR		1	E2,Q2,R2,K2
	D3311	DZ2J062/M/-X	Z DIODE		1	E2,Q2,R2,K2
	D3312	DA2J101-X	SI DIODE		1	E2,Q2,R2,K2
	C311	CK73FB0J106K	C CAPACITOR	10uF 6.3V K	1	E2,Q2,R2,K2
	C331	CK73FB0J106K	C CAPACITOR	10uF 6.3V K	1	E2,Q2,R2,K2
	C333	CK73HB1A104K	C CAPACITOR	0.1uF 10V K	1	E2,Q2,R2,K2
	C335	CK73HB1A104K	C CAPACITOR	0.1uF 10V K	1	E2,Q2,R2,K2
	C337	CK73HB1A104K	C CAPACITOR	0.1uF 10V K	1	E2,Q2,R2,K2
	C339	CK73FB0J106K	C CAPACITOR	10uF 6.3V K	1	E2,Q2,R2,K2
	C341	CK73HB1A104K	C CAPACITOR	0.1uF 10V K	1	E2,Q2,R2,K2
	C343	CK73HB1A104K	C CAPACITOR	0.1uF 10V K	1	E2,Q2,R2,K2
	C371	NCB31CK-474X	C CAPACITOR	0.47uF 16V K	1	E2,Q2,R2,K2
	C372	CK73FB1A225K	C CAPACITOR	2.2uF 10V K	1	E2,Q2,R2,K2
	C3001	CK73FB0J106K	C CAPACITOR	10uF 6.3V K	1	E2,Q2,R2,K2
	C3003	CK73GB1A105K	C CAPACITOR	1uF 16V K	1	E2,Q2,R2,K2
	C3010	CK73HB1E103K	C CAPACITOR	0.01uF 16V K	1	E2,Q2,R2,K2
	C3100	CK73HB1E103K	C CAPACITOR	0.01uF 16V K	1	E2,Q2,R2,K2
	C3102	CK73HB1H821K	C CAPACITOR	820pF 50V K	1	E2,Q2,R2,K2
	C3103	CC73GCH1H151J	C CAPACITOR	150pF 50V J	1	E2,Q2,R2,K2
	C3104	CK73GB1A105K	C CAPACITOR	1uF 16V K	1	E2,Q2,R2,K2
	C3142	CK73GB1A105K	C CAPACITOR	1uF 16V K	1	E2,Q2,R2,K2
	C3143	CK73HB1H471K	C CAPACITOR	470pF 50V K	1	E2,Q2,R2,K2
	C3145	C93-1600-08	C CAPACITOR	0.012uF 16V K	1	E2,Q2,R2,K2
	C3146	C93-1600-08	C CAPACITOR	0.012uF 16V K	1	E2,Q2,R2,K2
	C3147	CK73HB1A104K	C CAPACITOR	0.1uF 10V K	1	E2,Q2,R2,K2
	C3151	CK73GB1A105K	C CAPACITOR	1uF 16V K	1	E2,Q2,R2,K2
	C3152	CK73GB1A105K	C CAPACITOR	1uF 16V K	1	E2,Q2,R2,K2
	C3202	CK73HB1H821K	C CAPACITOR	820pF 50V K	1	E2,Q2,R2,K2
	C3203	CC73GCH1H151J	C CAPACITOR	150pF 50V J	1	E2,Q2,R2,K2
	C3204	CK73GB1A105K	C CAPACITOR	1uF 16V K	1	E2,Q2,R2,K2
	C3241	CK73HB1H102K	C CAPACITOR	1000pF 50V K	1	E2,Q2,R2,K2
	C3242	CK73GB1A105K	C CAPACITOR	1uF 16V K	1	E2,Q2,R2,K2
	C3243	CK73HB1H471K	C CAPACITOR	470pF 50V K	1	E2,Q2,R2,K2
	C3301	C90-5968-08	E CAPACITOR	100uF 16V M	1	E2,Q2,R2,K2
	C3302	CK73HB1A104K	C CAPACITOR	0.1uF 10V K	1	E2,Q2,R2,K2
	C3303	CE32BJ1C470M	E CAPACITOR	47uF 16V M	1	E2,Q2,R2,K2
	C3304	C93-1600-08	C CAPACITOR	0.012uF 16V K	1	E2,Q2,R2,K2
	C3311	C90-5968-08	E CAPACITOR	100uF 16V M	1	E2,Q2,R2,K2
	C3322	C93-1512-08	C CAPACITOR	0.1uF 16V K	1	E2,Q2,R2,K2
	C3323	CE32BJ1C470M	E CAPACITOR	47uF 16V M	1	E2,Q2,R2,K2
	C3324	CK73HB1H821K	C CAPACITOR	820pF 50V K	1	E2,Q2,R2,K2
	C3325	CC73GCH1H151J	C CAPACITOR	150pF 50V J	1	E2,Q2,R2,K2
	C3326	CK73GB1A105K	C CAPACITOR	1uF 16V K	1	E2,Q2,R2,K2
	C3407	CK73HB1A104K	C CAPACITOR	0.1uF 10V K	1	E2,Q2,R2,K2
	C3409	CK73HB1A104K	C CAPACITOR	0.1uF 10V K	1	E2,Q2,R2,K2
	C3410	CK73HB1A104K	C CAPACITOR	0.1uF 10V K	1	E2,Q2,R2,K2
	C3419	CK73HB1A104K	C CAPACITOR	0.1uF 10V K	1	E2,Q2,R2,K2
	C3424	CK73HB1A104K	C CAPACITOR	0.1uF 10V K	1	E2,Q2,R2,K2
	C3426	CK73HB1A104K	C CAPACITOR	0.1uF 10V K	1	E2,Q2,R2,K2
	C3440	CK73HB1A104K	C CAPACITOR	0.1uF 10V K	1	E2,Q2,R2,K2
	C3443	CK73HB1A104K	C CAPACITOR	0.1uF 10V K	1	E2,Q2,R2,K2
	C3454	CC73HCH1H270J	C CAPACITOR	27pF 50V J	1	E2,Q2,R2,K2
	C3455	CC73HCH1H330J	C CAPACITOR	33pF 50V J	1	E2,Q2,R2,K2
	C3458	CK73HB1A104K	C CAPACITOR	0.1uF 10V K	1	E2,Q2,R2,K2
	C3465	CK73HB1A104K	C CAPACITOR	0.1uF 10V K	1	E2,Q2,R2,K2
	C3468	CK73HB1E103K	C CAPACITOR	0.01uF 16V K	1	E2,Q2,R2,K2
	C3469	CK73HB1A104K	C CAPACITOR	0.1uF 10V K	1	E2,Q2,R2,K2
	C3472	CK73HB1H122K	C CAPACITOR	1200pF 50V K	1	E2,Q2,R2,K2
	C3473	CK73HB0J105K	C CAPACITOR	1uF 6.3V K	1	E2,Q2,R2,K2
	C3475	CC73HCH1H331J	C CAPACITOR	330pF 50V J	1	E2,Q2,R2,K2
	C3477	C93-1601-08	C CAPACITOR	0.15uF 16V K	1	E2,Q2,R2,K2
	C3484	CK73HB1A104K	C CAPACITOR	0.1uF 10V K	1	E2,Q2,R2,K2
	C3491	CK73HB1A104K	C CAPACITOR	0.1uF 10V K	1	E2,Q2,R2,K2
	C3524	CK73HB1A104K	C CAPACITOR	0.1uF 10V K	1	E2,Q2,R2,K2
	C3575	CC73HCH1H220J	C CAPACITOR	22pF 50V J	1	E2,Q2,R2,K2
	R322	RK73HB1J472J	MG RESISTOR	4.7kΩ 1/16W J	1	E2,Q2,R2,K2
	R323	RK73HB1J473J	MG RESISTOR	47kΩ 1/16W J	1	E2,Q2,R2,K2
	R324	RK73HB1J472J	MG RESISTOR	4.7kΩ 1/16W J	1	E2,Q2,R2,K2
	R325	RK73HB1J472J	MG RESISTOR	4.7kΩ 1/16W J	1	E2,Q2,R2,K2
	R3003	RK73HB1J103J	MG RESISTOR	10kΩ 1/16W J	1	E2,Q2,R2,K2
	R3004	RK73HB1J153J	MG RESISTOR	15kΩ 1/16W J	1	E2,Q2,R2,K2
	R3005	RK73HB1J153J	MG RESISTOR	15kΩ 1/16W J	1	E2,Q2,R2,K2
	R3006	RK73HB1J223J	MG RESISTOR	22kΩ 1/16W J	1	E2,Q2,R2,K2
	R3010	RK73HB1J100J	MG RESISTOR	10Ω 1/16W J	1	E2,Q2,R2,K2
	R3101	RK73HB1J223J	MG RESISTOR	22kΩ 1/16W J	1	E2,Q2,R2,K2
	R3102	RK73HB1J243J	MG RESISTOR	24kΩ 1/16W J	1	E2,Q2,R2,K2
	R3103	RK73HB1J153J	MG RESISTOR	15kΩ 1/16W J	1	E2,Q2,R2,K2
	R3142	RK73HB1J122J	MG RESISTOR	1.2kΩ 1/16W J	1	E2,Q2,R2,K2
	R3143	RK73HB1J124J	MG RESISTOR	120kΩ 1/16W J	1	E2,Q2,R2,K2
	R3144	RK73HB1J822J	MG RESISTOR	8.2kΩ 1/16W J	1	E2,Q2,R2,K2
	R3145	RK73HB1J333J	MG RESISTOR	33kΩ 1/16W J	1	E2,Q2,R2,K2
	R3146	RK73HB1J103J	MG RESISTOR	10kΩ 1/16W J	1	E2,Q2,R2,K2
	R3151	RK73HB1J103J	MG RESISTOR	10kΩ 1/16W J	1	E2,Q2,R2,K2
	R3152	RK73HB1J103J	MG RESISTOR	10kΩ 1/16W J	1	E2,Q2,R2,K2
	R3201	RK73HB1J223J	MG RESISTOR	22kΩ 1/16W J	1	E2,Q2,R2,K2
	R3202	RK73HB1J243J	MG RESISTOR	24kΩ 1/16W J	1	E2,Q2,R2,K2
	R3203	RK73HB1J153J	MG RESISTOR	15kΩ 1/16W J	1	E2,Q2,R2,K2
	R3241	RK73HB1J822J	MG RESISTOR	8.2kΩ 1/16W J	1	E2,Q2,R2,K2

MODEL	MARK	MODEL	MARK	MODEL	MARK	MODEL	MARK
DDX3023	E1	DDX3053	Q1	DDX3070	R1	DDX370	K1
DDX4023BT	E2	DDX4053BT	Q2	DDX4070BT	R2	DDX470	K2

Safe	Symbol No.	Parts No.	Parts Name	Description	QTY	Local
	R3242	RK73HB1J122J	MG RESISTOR	1.2kΩ 1/16W J	1	E2,Q2,R2,K2
	R3243	RK73HB1J124J	MG RESISTOR	120kΩ 1/16W J	1	E2,Q2,R2,K2
	R3311	RK73HB1J122J	MG RESISTOR	1.2kΩ 1/16W J	1	E2,Q2,R2,K2
	R3312	RK73HB1J680J	MG RESISTOR	68Ω 1/16W J	1	E2,Q2,R2,K2
	R3313	RK73HB1J680J	MG RESISTOR	68Ω 1/16W J	1	E2,Q2,R2,K2
	R3321	RK73HB1J103J	MG RESISTOR	10kΩ 1/16W J	1	E2,Q2,R2,K2
	R3322	RK73HB1J103J	MG RESISTOR	10kΩ 1/16W J	1	E2,Q2,R2,K2
	R3323	RK73HB1J223J	MG RESISTOR	22kΩ 1/16W J	1	E2,Q2,R2,K2
	R3324	RK73HB1J243J	MG RESISTOR	24kΩ 1/16W J	1	E2,Q2,R2,K2
	R3325	RK73HB1J153J	MG RESISTOR	15kΩ 1/16W J	1	E2,Q2,R2,K2
	R3326	RK73HB1J473J	MG RESISTOR	47kΩ 1/16W J	1	E2,Q2,R2,K2
	R3404	RK73HB1J102J	MG RESISTOR	1kΩ 1/16W J	1	E2,Q2,R2,K2
	R3415	RK73HB1J103J	MG RESISTOR	10kΩ 1/16W J	1	E2,Q2,R2,K2
	R3444	RK73HB1J470J	MG RESISTOR	47Ω 1/16W J	1	E2,Q2,R2,K2
	R3446	RK73HB1J470J	MG RESISTOR	47Ω 1/16W J	1	E2,Q2,R2,K2
	R3447	RK73HB1J470J	MG RESISTOR	47Ω 1/16W J	1	E2,Q2,R2,K2
	R3454	RK73HB1J151J	MG RESISTOR	150Ω 1/16W J	1	E2,Q2,R2,K2
	R3455	RK73HB1J105J	MG RESISTOR	1MΩ 1/16W J	1	E2,Q2,R2,K2
	R3457	RK73HB1J102J	MG RESISTOR	1kΩ 1/16W J	1	E2,Q2,R2,K2
	R3463	RK73HB1J101J	MG RESISTOR	100Ω 1/16W J	1	E2,Q2,R2,K2
	R3466	RK73HB1J223J	MG RESISTOR	22kΩ 1/16W J	1	E2,Q2,R2,K2
	R3468	RK73HB1J223J	MG RESISTOR	22kΩ 1/16W J	1	E2,Q2,R2,K2
	R3469	RK73HB1J223J	MG RESISTOR	22kΩ 1/16W J	1	E2,Q2,R2,K2
	R3478	RK73HB1J472J	MG RESISTOR	4.7kΩ 1/16W J	1	E2,Q2,R2,K2
	R3479	RK73HB1J153J	MG RESISTOR	15kΩ 1/16W J	1	E2,Q2,R2,K2
	R3480	RK73HB1J153J	MG RESISTOR	15kΩ 1/16W J	1	E2,Q2,R2,K2
	R3482	RK73HB1J330J	MG RESISTOR	33Ω 1/16W J	1	E2,Q2,R2,K2
	R3483	RK73HB1J330J	MG RESISTOR	33Ω 1/16W J	1	E2,Q2,R2,K2
	R3577	RK73HB1J472J	MG RESISTOR	4.7kΩ 1/16W J	1	E2,Q2,R2,K2
	R3586	RK73HB1J472J	MG RESISTOR	4.7kΩ 1/16W J	1	E2,Q2,R2,K2
	R3587	RK73HB1J472J	MG RESISTOR	4.7kΩ 1/16W J	1	E2,Q2,R2,K2
	R3589	RK73HB1J472J	MG RESISTOR	4.7kΩ 1/16W J	1	E2,Q2,R2,K2
	RA301	RK74HB1J680J	NET RESISTOR	68Ω J	1	E2,Q2,R2,K2
	RA302	RK74HB1J680J	NET RESISTOR	68Ω J	1	E2,Q2,R2,K2
	RA303	RK74HB1J680J	NET RESISTOR	68Ω J	1	E2,Q2,R2,K2
	RA304	RK74HB1J680J	NET RESISTOR	68Ω J	1	E2,Q2,R2,K2
	RA305	RK74HB1J470J	NET RESISTOR	47Ω J	1	E2,Q2,R2,K2
	RA306	RK74HB1J472J	NET RESISTOR	4.7kΩ J	1	E2,Q2,R2,K2
	RA307	RK74HB1J101J	NET RESISTOR	100Ω J	1	E2,Q2,R2,K2
	L3001	L92-1009-05	EMI FILTER		1	E2,Q2,R2,K2
	L3301	L33-2543-08	COIL	47uH M	1	E2,Q2,R2,K2
	L3462	L33-2500-08	P COIL	1.8uH K	1	E2,Q2,R2,K2
	L3473	L33-2656-08	COIL	33uH M	1	E2,Q2,R2,K2
	CN302	E41-1702-05	W TO B CONNE	W-B (1-5)	1	E2,Q2,R2,K2
	CN311	E41-3366-08	FFC/FPC CONNE	FFC/FPC (1-12)	1	E2,Q2,R2,K2
	CN341	E41-2721-05	W TO B CONNE	W-B (1-2)	1	E2,Q2,R2,K2
	X3402	L77-3888-08	CRYSTAL		1	E2,Q2,R2,K2
DVD UNIT (LVA11111-09A) IN DVD MECHA <DV>						
	IC101	RT3CLLM/EF-X	TRANSISTOR		1	
	IC102	RT3K11M-X	MOS FET ARRAY		1	
	IC201	BD8215EFV-X	IC		1	
	IC301	MN2DS0040MA	IC		1	
	IC381	JVM607B	PROGRAMED IC		1	
	IC391	A3V28S40FTP-G6	IC		1	
	IC401	AK4387ET-X	IC		1	
	IC501	BR24T32FVT-W-X	IC		1	
	IC551	MFI337S3959-X	IC		1	
	IC901	MM3233CF-X	IC		1	
	IC921	BD12KA5FP-X	IC		1	
	Q4	RK73GB2A393J	TRANSISTOR		1	
	Q11	RK73GB2A393J	TRANSISTOR		1	
	Q12	DRC9144E	DIGI TRANSISTOR		1	
	Q101	RK73GB2A203J	TRANSISTOR		1	
	Q102	RK73GB2A203J	TRANSISTOR		1	
	Q103	RK73GB2A333J	TRANSISTOR		1	
	Q271	DRC9114E	DIGI TRANSISTOR		1	
	Q302	DRC9144E	DIGI TRANSISTOR		1	
	Q341	DRC9144E	DIGI TRANSISTOR		1	
	D6	AN1102W-6-X	IR LED		1	
	D7	AN1102W-6-X	IR LED		1	
	D9	PS1192HB-22-X	PHOTO TRANSISTOR		1	
	D11	PS1192HB-22-X	PHOTO TRANSISTOR		1	
	C101	CK73FB0J226M	C CAPACITOR	22uF 6.3V M	1	
	C102	C91-2327-08	C CAPACITOR	47uF 6.3V M	1	
	C103	C91-2327-08	C CAPACITOR	47uF 6.3V M	1	
	C104	C93-1512-08	C CAPACITOR	0.1uF 16V K	1	
	C105	C93-1512-08	C CAPACITOR	0.1uF 16V K	1	
	C106	C93-1512-08	C CAPACITOR	0.1uF 16V K	1	
	C107	C93-1512-08	C CAPACITOR	0.1uF 16V K	1	
	C108	C93-1512-08	C CAPACITOR	0.1uF 16V K	1	
	C109	C93-1512-08	C CAPACITOR	0.1uF 16V K	1	
	C110	C93-1512-08	C CAPACITOR	0.1uF 16V K	1	
	C111	CK73GB1A105K	C CAPACITOR	1uF 16V K	1	
	C112	CK73GB1A105K	C CAPACITOR	1uF 16V K	1	
	C113	C93-1512-08	C CAPACITOR	0.1uF 16V K	1	
	C121	C93-1512-08	C CAPACITOR	0.1uF 16V K	1	
	C122	CK73HB1C333K	C CAPACITOR	0.033uF 16V K	1	
	C123	C93-1512-08	C CAPACITOR	0.1uF 16V K	1	
	C124	C93-1512-08	C CAPACITOR	0.1uF 16V K	1	

MODEL	MARK	MODEL	MARK	MODEL	MARK	MODEL	MARK
DDX3023	E1	DDX3053	Q1	DDX3070	R1	DDX370	K1
DDX4023BT	E2	DDX4053BT	Q2	DDX4070BT	R2	DDX470	K2

Safe	Symbol No.	Parts No.	Parts Name	Description	QTY	Local
	C131	C93-1598-08	C CAPACITOR	2700pF 50V K	1	
	C133	C93-1518-08	C CAPACITOR	0.68uF 16V K	1	
	C134	C93-1518-08	C CAPACITOR	0.68uF 16V K	1	
	C135	C93-1512-08	C CAPACITOR	0.1uF 16V K	1	
	C136	C93-1512-08	C CAPACITOR	0.1uF 16V K	1	
	C137	C93-1512-08	C CAPACITOR	0.1uF 16V K	1	
	C138	C93-1512-08	C CAPACITOR	0.1uF 16V K	1	
	C141	C93-1512-08	C CAPACITOR	0.1uF 16V K	1	
	C151	C93-1512-08	C CAPACITOR	0.1uF 16V K	1	
	C201	C91-2330-08	C CAPACITOR	47uF 16V K	1	
	C203	C91-2330-08	C CAPACITOR	47uF 16V K	1	
	C207	C93-1512-08	C CAPACITOR	0.1uF 16V K	1	
	C208	CK73HB1H222K	C CAPACITOR	2200pF 50V K	1	
	C209	CK73HB1H102K	C CAPACITOR	1000pF 50V K	1	
	C210	CK73HB1H102K	C CAPACITOR	1000pF 50V K	1	
	C211	CK73HB1H102K	C CAPACITOR	1000pF 50V K	1	
	C212	C93-1512-08	C CAPACITOR	0.1uF 16V K	1	
	C213	C93-1512-08	C CAPACITOR	0.1uF 16V K	1	
	C214	C93-1512-08	C CAPACITOR	0.1uF 16V K	1	
	C215	C93-1512-08	C CAPACITOR	0.1uF 16V K	1	
	C218	CK73HB1H102K	C CAPACITOR	1000pF 50V K	1	
	C219	C93-1512-08	C CAPACITOR	0.1uF 16V K	1	
	C220	C93-1512-08	C CAPACITOR	0.1uF 16V K	1	
	C221	CK73GB1A105K	C CAPACITOR	1uF 16V K	1	
	C241	CK73HB1E223K	C CAPACITOR	0.022uF 25V K	1	
	C242	CK73HB1E223K	C CAPACITOR	0.022uF 25V K	1	
	C251	CK73HB1H221K	C CAPACITOR	220pF 50V K	1	
	C261	CC73HCH1H181J	C CAPACITOR	180pF 50V J	1	
	C301	C93-1512-08	C CAPACITOR	0.1uF 16V K	1	
	C302	C93-1512-08	C CAPACITOR	0.1uF 16V K	1	
	C303	C93-1512-08	C CAPACITOR	0.1uF 16V K	1	
	C304	C93-1512-08	C CAPACITOR	0.1uF 16V K	1	
	C305	C93-1512-08	C CAPACITOR	0.1uF 16V K	1	
	C306	C93-1512-08	C CAPACITOR	0.1uF 16V K	1	
	C307	C93-1512-08	C CAPACITOR	0.1uF 16V K	1	
	C308	C93-1512-08	C CAPACITOR	0.1uF 16V K	1	
	C309	C93-1512-08	C CAPACITOR	0.1uF 16V K	1	
	C310	CK73HB1H103K	C CAPACITOR	0.01uF 25V K	1	
	C311	C93-1512-08	C CAPACITOR	0.1uF 16V K	1	
	C314	CK73HB1H122K	C CAPACITOR	1200pF 50V K	1	
	C315	CK73HB1H122K	C CAPACITOR	1200pF 50V K	1	
	C316	CK73GB1A105K	C CAPACITOR	1uF 16V K	1	
	C317	CK73GB1A105K	C CAPACITOR	1uF 16V K	1	
	C318	CK73GB1A105K	C CAPACITOR	1uF 16V K	1	
	C319	C93-1512-08	C CAPACITOR	0.1uF 16V K	1	
	C320	C93-1512-08	C CAPACITOR	0.1uF 16V K	1	
	C322	C93-1512-08	C CAPACITOR	0.1uF 16V K	1	
	C324	C93-1512-08	C CAPACITOR	0.1uF 16V K	1	
	C325	C93-1512-08	C CAPACITOR	0.1uF 16V K	1	
	C326	CK73HB1H103K	C CAPACITOR	0.01uF 25V K	1	
	C327	C93-1512-08	C CAPACITOR	0.1uF 16V K	1	
	C329	C93-1512-08	C CAPACITOR	0.1uF 16V K	1	
	C330	C93-1512-08	C CAPACITOR	0.1uF 16V K	1	
	C331	C93-1512-08	C CAPACITOR	0.1uF 16V K	1	
	C332	C93-1512-08	C CAPACITOR	0.1uF 16V K	1	
	C333	C93-1512-08	C CAPACITOR	0.1uF 16V K	1	
	C351	CC73HCH1H120J	C CAPACITOR	12pF 50V J	1	
	C352	CC73HCH1H120J	C CAPACITOR	12pF 50V J	1	
	C381	C91-2325-08	C CAPACITOR	22uF 6.3V K	1	
	C382	C93-1512-08	C CAPACITOR	0.1uF 16V K	1	
	C391	CK73FB0J226M	C CAPACITOR	22uF 6.3V M	1	
	C392	C93-1512-08	C CAPACITOR	0.1uF 16V K	1	
	C394	C93-1512-08	C CAPACITOR	0.1uF 16V K	1	
	C395	C93-1512-08	C CAPACITOR	0.1uF 16V K	1	
	C396	C93-1512-08	C CAPACITOR	0.1uF 16V K	1	
	C397	C93-1512-08	C CAPACITOR	0.1uF 16V K	1	
	C398	C93-1512-08	C CAPACITOR	0.1uF 16V K	1	
	C399	C93-1512-08	C CAPACITOR	0.1uF 16V K	1	
	C401	C91-2328-08	C CAPACITOR	47uF 10V K	1	
	C402	C93-1512-08	C CAPACITOR	0.1uF 16V K	1	
	C403	C93-1512-08	C CAPACITOR	0.1uF 16V K	1	
	C404	C91-2325-08	C CAPACITOR	22uF 6.3V K	1	
	C405	C93-1512-08	C CAPACITOR	0.1uF 16V K	1	
	C406	CK73HB1H331K	C CAPACITOR	330pF 50V K	1	
	C411	CK73HB1C473K	C CAPACITOR	0.047uF 16V K	1	
	C412	CC73HCH1H101J	C CAPACITOR	100pF 50V J	1	
	C501	C93-1512-08	C CAPACITOR	0.1uF 16V K	1	
	C511	C93-1512-08	C CAPACITOR	0.1uF 16V K	1	
	C701	C93-1512-08	C CAPACITOR	0.1uF 16V K	1	
	C702	C93-1512-08	C CAPACITOR	0.1uF 16V K	1	
	C703	C93-1512-08	C CAPACITOR	0.1uF 16V K	1	
	C704	C93-1512-08	C CAPACITOR	0.1uF 16V K	1	
	C705	C93-1512-08	C CAPACITOR	0.1uF 16V K	1	
	C901	CK73GB1A105K	C CAPACITOR	1uF 16V K	1	
	C902	CK73GB1A105K	C CAPACITOR	1uF 16V K	1	
	C911	C91-2327-08	C CAPACITOR	47uF 6.3V M	1	
	C912	C93-1512-08	C CAPACITOR	0.1uF 16V K	1	
	C913	CK73FB0J226M	C CAPACITOR	22uF 6.3V M	1	
	C914	C93-1512-08	C CAPACITOR	0.1uF 16V K	1	
	C921	CK73GB1A105K	C CAPACITOR	1uF 16V K	1	
	C923	CK73GB1A105K	C CAPACITOR	1uF 16V K	1	
	R11	RK73GH2A753D	MG RESISTOR	390Ω 1/16W J	1	

MODEL	MARK	MODEL	MARK	MODEL	MARK	MODEL	MARK
DDX3023	E1	DDX3053	Q1	DDX3070	R1	DDX370	K1
DDX4023BT	E2	DDX4053BT	Q2	DDX4070BT	R2	DDX470	K2

Safe	Symbol No.	Parts No.	Parts Name	Description	QTY	Local
	R12	R92-5608-08	MG RESISTOR	180kΩ 1/16W J	1	
	R13	RK73HB1J103J	MG RESISTOR	10kΩ 1/16W J	1	
	R15	RK73HB1J822J	MG RESISTOR	8.2kΩ 1/16W J	1	
	R17	RK73HB1J473J	MG RESISTOR	47kΩ 1/16W J	1	
	R21	RK73GH2A753D	MG RESISTOR	390Ω 1/16W J	1	
	R101	RK73HB1J471J	MG RESISTOR	470Ω 1/16W J	1	
	R102	RK73HB1J471J	MG RESISTOR	470Ω 1/16W J	1	
	R103	RK73HB1J102J	MG RESISTOR	1kΩ 1/16W J	1	
	R104	RK73GB2A2R2J	MG RESISTOR	2.2Ω 1/16W J	1	
	R105	R92-5557-08	MG RESISTOR	27Ω	1	
	R106	RK73HB1J242J	MG RESISTOR	2.4kΩ 1/16W J	1	
	R107	RK73HB1J432J	MG RESISTOR	4.3kΩ 1/16W J	1	
	R111	RK73HB1J471J	MG RESISTOR	470Ω 1/16W J	1	
	R112	RK73HB1J471J	MG RESISTOR	470Ω 1/16W J	1	
	R113	RK73HB1J102J	MG RESISTOR	1kΩ 1/16W J	1	
	R114	RK73GB2A2R2J	MG RESISTOR	2.2Ω 1/16W J	1	
	R115	R92-5433-08	MG RESISTOR	39Ω	1	
	R116	RK73HB1J242J	MG RESISTOR	2.4kΩ 1/16W J	1	
	R117	RK73HB1J432J	MG RESISTOR	4.3kΩ 1/16W J	1	
	R121	RK73HB1J910J	MG RESISTOR	91Ω 1/16W J	1	
	R122	RK73HB1J910J	MG RESISTOR	91Ω 1/16W J	1	
	R123	RK73HB1J104J	MG RESISTOR	100kΩ 1/16W J	1	
	R124	RK73HB1J103J	MG RESISTOR	10kΩ 1/16W J	1	
	R125	RK73HB1J103J	MG RESISTOR	10kΩ 1/16W J	1	
	R126	RK73GB2A150J	MG RESISTOR	15Ω 1/16W J	1	
	R131	RK73GH2A122D	MG RESISTOR	1.2kΩ 1/16W D	1	
	R132	RK73GH2A122D	MG RESISTOR	1.2kΩ 1/16W D	1	
	R139	RK73GB2A000J	MG RESISTOR	0Ω 1/10W J	1	
	R141	RK73GH2A332D	MG RESISTOR	3.3kΩ 1/16W D	1	
	R142	RK73HB1J162J	MG RESISTOR	1.6kΩ 1/16W J	1	
	R151	RK73HB1J472J	MG RESISTOR	4.7kΩ 1/16W J	1	
	R165	RK73HB1J473J	MG RESISTOR	47kΩ 1/16W J	1	
	R201	R92-5430-08	MG RESISTOR	0.22Ω	1	
	R202	R92-5430-08	MG RESISTOR	0.22Ω	1	
	R203	RK73GB2A101J	MG RESISTOR	100Ω 1/16W J	1	
	R204	R92-5431-08	MG RESISTOR	0.47Ω	1	
	R205	R92-5431-08	MG RESISTOR	0.47Ω	1	
	R206	RK73GH2A473D	MG RESISTOR	47kΩ 1/16W D	1	
	R212	RK73GH2A104D	MG RESISTOR	100kΩ 1/16W D	1	
	R213	RK73HB1J101J	MG RESISTOR	100Ω 1/16W J	1	
	R221	RK73HB1J102J	MG RESISTOR	1kΩ 1/16W J	1	
	R222	RK73HB1J102J	MG RESISTOR	1kΩ 1/16W J	1	
	R232	RK73HB1J473J	MG RESISTOR	47kΩ 1/16W J	1	
	R233	RK73HB1J104J	MG RESISTOR	100kΩ 1/16W J	1	
	R234	RK73HB1J104J	MG RESISTOR	100kΩ 1/16W J	1	
	R241	RK73GB2A223J	MG RESISTOR	22kΩ 1/16W J	1	
	R242	RK73GB2A103J	MG RESISTOR	10kΩ 1/16W J	1	
	R243	RK73GB2A223J	MG RESISTOR	22kΩ 1/16W J	1	
	R244	RK73GB2A103J	MG RESISTOR	10kΩ 1/16W J	1	
	R251	RK73GB2A393J	MG RESISTOR	39kΩ 1/16W J	1	
	R252	RK73GB2A203J	MG RESISTOR	20kΩ 1/16W J	1	
	R261	RK73GB2A333J	MG RESISTOR	33kΩ 1/16W J	1	
	R262	RK73GH2A753D	MG RESISTOR	75kΩ 1/16W D	1	
	R271	R92-5608-08	MG RESISTOR	62kΩ 1/16W J	1	
	R272	RK73HB1J152J	MG RESISTOR	1.5kΩ 1/16W J	1	
	R273	R92-5562-08	MG RESISTOR	6.2kΩ 1/16W J	1	
	R274	RK73HB1J391J	MG RESISTOR	390Ω 1/16W J	1	
	R302	RK73HB1J101J	MG RESISTOR	100Ω 1/16W J	1	
	R303	RK73HB1J101J	MG RESISTOR	100Ω 1/16W J	1	
	R304	RK73HB1J101J	MG RESISTOR	100Ω 1/16W J	1	
	R306	RK73HB1J331J	MG RESISTOR	330Ω 1/16W J	1	
	R307	RK73HB1J331J	MG RESISTOR	330Ω 1/16W J	1	
	R308	RK73GB2A152J	MG RESISTOR	1.5kΩ 1/16W J	1	
	R309	RK73GB2A152J	MG RESISTOR	1.5kΩ 1/16W J	1	
	R310	RK73HB1J103J	MG RESISTOR	10kΩ 1/16W J	1	
	R311	RK73HB1J223J	MG RESISTOR	22kΩ 1/16W J	1	
	R313	RK73GB2A181J	MG RESISTOR	180Ω 1/16W J	1	
	R314	RK73GH2A222D	MG RESISTOR	2.2kΩ 1/16W D	1	
	R315	RK73GH2A222D	MG RESISTOR	2.2kΩ 1/16W D	1	
	R319	RK73GH2A243D	MG RESISTOR	24kΩ 1/16W D	1	
	R323	RK73HB1J104J	MG RESISTOR	100kΩ 1/16W J	1	
	R327	RK73HB1J270J	MG RESISTOR	27Ω 1/16W J	1	
	R328	RK73HB1J102J	MG RESISTOR	1kΩ 1/16W J	1	
	R329	RK73HB1J102J	MG RESISTOR	1kΩ 1/16W J	1	
	R330	RK73HB1J103J	MG RESISTOR	10kΩ 1/16W J	1	
	R341	RK73GB2A103J	MG RESISTOR	10kΩ 1/16W J	1	
	R351	RK73GB2A105J	MG RESISTOR	1MΩ 1/16W J	1	
	R352	RK73HB1J102J	MG RESISTOR	1kΩ 1/16W J	1	
	R365	RK73HB1J103J	MG RESISTOR	10kΩ 1/16W J	1	
	R376	RK73HB1J822J	MG RESISTOR	8.2kΩ 1/16W J	1	
	R386	R92-5608-08	MG RESISTOR	180kΩ 1/16W J	1	
	R400	RK73HB1J153J	MG RESISTOR	15kΩ 1/16W J	1	
	R401	RK73GB2A100J	MG RESISTOR	10Ω 1/16W J	1	
	R402	RK73HB1J100J	MG RESISTOR	10Ω 1/16W J	1	
	R403	RK73HB1J103J	MG RESISTOR	10kΩ 1/16W J	1	
	R501	RK73HB1J103J	MG RESISTOR	10kΩ 1/16W J	1	
	R511	RK73HB1J103J	MG RESISTOR	10kΩ 1/16W J	1	
	R512	RK73HB1J103J	MG RESISTOR	10kΩ 1/16W J	1	
	R515	RK73HB1J103J	MG RESISTOR	10kΩ 1/16W J	1	
	R601	R92-5249-08	MG RESISTOR	33Ω 1/8W F	1	

MODEL	MARK	MODEL	MARK	MODEL	MARK	MODEL	MARK
DDX3023	E1	DDX3053	Q1	DDX3070	R1	DDX370	K1
DDX4023BT	E2	DDX4053BT	Q2	DDX4070BT	R2	DDX470	K2

Safe	Symbol No.	Parts No.	Parts Name	Description	QTY	Local
	R602	R92-5249-08	MG RESISTOR	33Ω 1/8W F	1	
	R611	RK73HB1J153J	MG RESISTOR	15kΩ 1/16W J	1	
	R612	RK73HB1J153J	MG RESISTOR	15kΩ 1/16W J	1	
	R702	RK73HB1J102J	MG RESISTOR	1kΩ 1/16W J	1	
	R911	R92-5429-08	MG RESISTOR	0.18Ω	1	
	B341	RK73GB2A000J	MG RESISTOR	0Ω 1/10W J	1	
	B411	RK73GB2A000J	MG RESISTOR	0Ω 1/10W J	1	
	CN101	E41-3315-08	FFC/FPC CONNE	FFC/FPC (1-30)	1	
	CN201	E41-3117-08	FFC/FPC CONNE	FFC/FPC (1-20)	1	
	CN401	E41-3365-08	FFC/FPC CONNE	FFC/FPC (1-50)	1	
	K101	R92-5430-08	FERRITE BEADS		1	
	K102	R92-5430-08	FERRITE BEADS		1	
	K301	RK73GH2A473D	FERRITE BEADS		1	
	K311	RK73GH2A473D	FERRITE BEADS		1	
	K312	RK73GH2A473D	FERRITE BEADS		1	
	K313	RK73GH2A473D	FERRITE BEADS		1	
	K314	RK73GH2A473D	FERRITE BEADS		1	
	K381	RK73GB2A000J	MG RESISTOR	0Ω 1/10W J	1	
	K391	RK73GH2A104D	FERRITE BEADS		1	
	K703	RK73GB2A223J	FERRITE BEADS		1	
	K707	RK73GB2A223J	FERRITE BEADS		1	
	K708	RK73GB2A223J	FERRITE BEADS		1	
	K709	RK73GB2A223J	FERRITE BEADS		1	
	K711	RK73GB2A223J	FERRITE BEADS		1	
	K712	RK73GB2A223J	FERRITE BEADS		1	
	K714	RK73GB2A223J	FERRITE BEADS		1	
	K911	RK73GH2A104D	FERRITE BEADS		1	
	S1	S74-0829-08	DETECT SWITCH		1	
	X351	L77-3863-08	CRYSTAL		1	