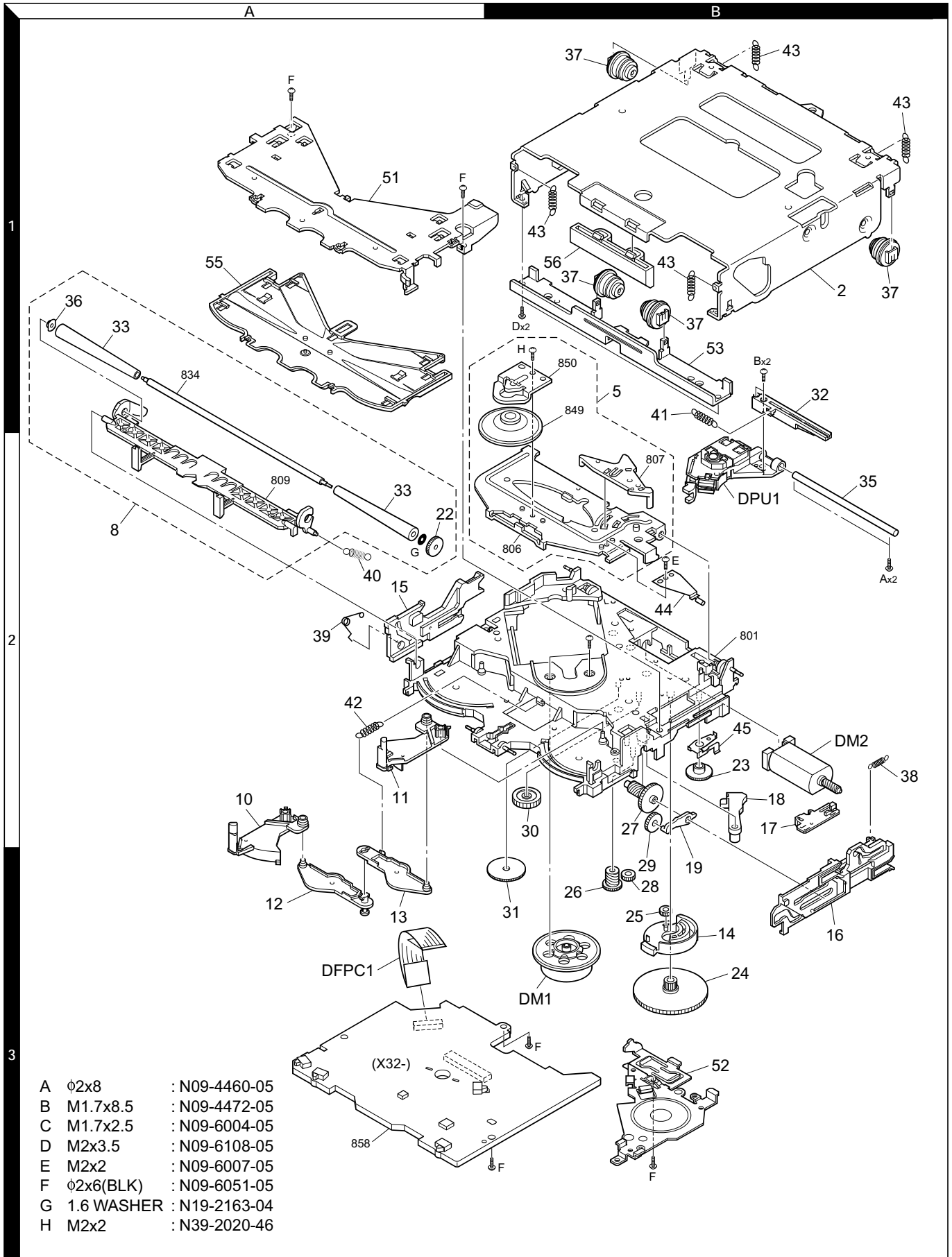


KDC-6024/Y/X469

EXPLODED VIEW (MECHANISM)

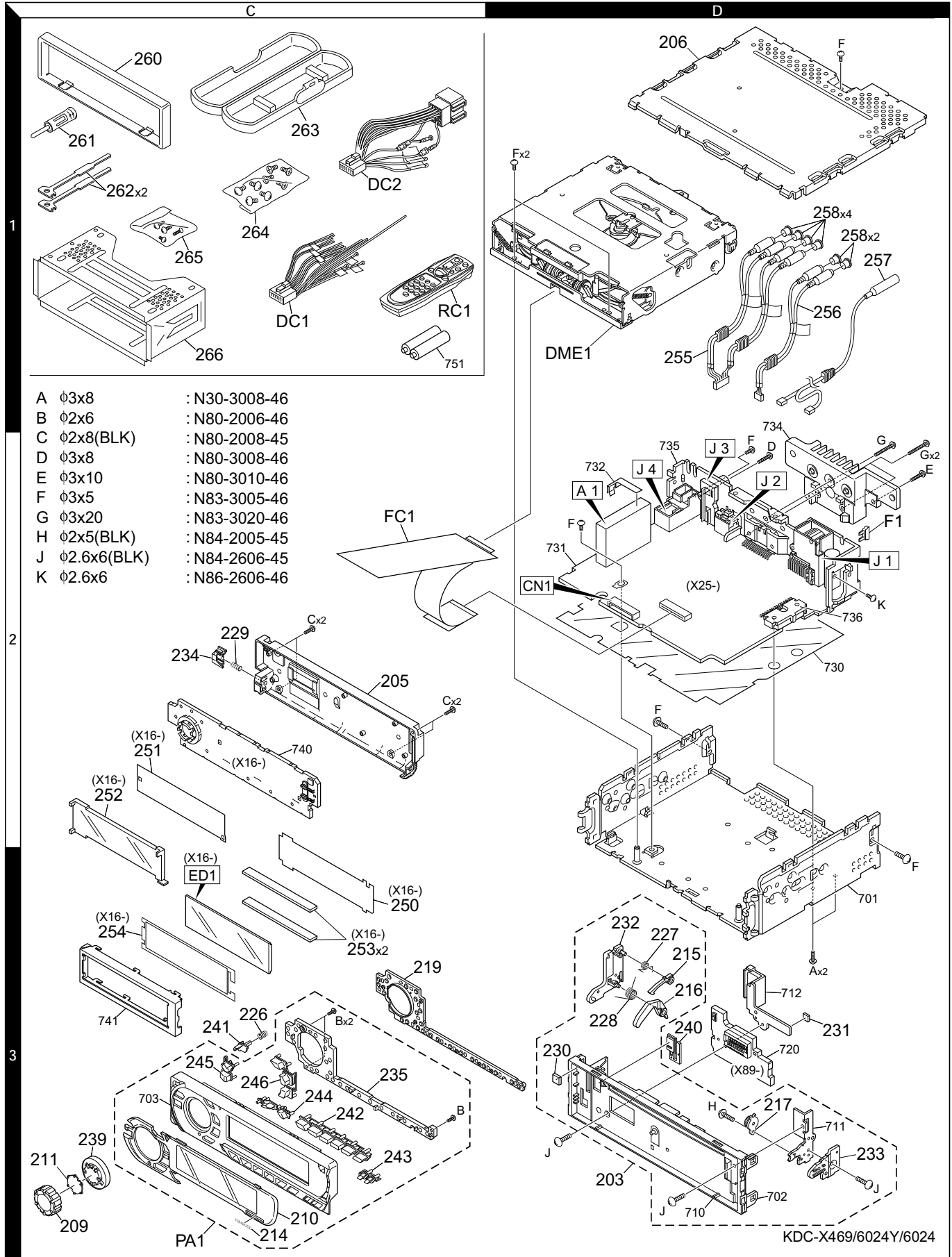


A	φ2x8	: N09-4460-05
B	M1.7x8.5	: N09-4472-05
C	M1.7x2.5	: N09-6004-05
D	M2x3.5	: N09-6108-05
E	M2x2	: N09-6007-05
F	φ2x6(BLK)	: N09-6051-05
G	1.6 WASHER	: N19-2163-04
H	M2x2	: N39-2020-46

Parts with the exploded numbers larger than 700 are not supplied.

KDC-6024/Y/X469

EXPLODED VIEW (UNIT)



PARTS LIST

* New Parts

Parts without **Parts No.** are not supplied.

Les articles non mentionnes dans le **Parts No.** ne sont pas fournis.

Teile ohne **Parts No.** werden nicht geliefert.

Ref. No.	A d d	N e w	Parts No.	Description	Dest inati on
KDC-6024/6024Y/X469					
203	3D	*	A22-2982-02	SUB PANEL ASSY	
205	2C	*	A46-1778-01	REAR COVER	
206	1D	*	A52-0829-02	TOP PLATE	
263	1C	*	A02-1486-13	PLASTIC CABINET ASSY	
PA1	3C	*	A64-2827-02	PANEL ASSY	K
PA1	3C	*	A64-2837-02	PANEL ASSY	E2E1
RC1	1C	*	A70-2040-05	REMOTE CONTROLLER ASSY(RC-505)	K
-			B46-0100-50	WARRANTY CARD	KE1
-			B46-0606-04	ID CARD	K
-			B46-0612-14	ID CARD	E2E1
-			B46-0648-03	USER CARD	K
-			B46-0653-03	USER CARD	K
-		*	B64-2516-00	INST. MANUAL (ENG,FRE,SPA)	K
-		*	B64-2519-00	INST. MANUAL (ENGLISH)	E1
-		*	B64-2520-00	INST. MANUAL (FRE,GER,DUT)	E1
-		*	B64-2521-00	INST. MANUAL (ITA,SPA,POR)	E1
-		*	B64-2522-00	INST. MANUAL (ENG,RUS)	E2
-		*	B64-2523-00	INST. MANUAL (POL,CZE,HUN)	E2
-		*	B64-2524-00	INST. MANUAL (CRO,SWE,FIN)	E2
209	3C	*	B09-0529-03	CAP	
210	3C	*	B10-4307-01	FRONT GLASS	K
210	3C	*	B10-4313-01	FRONT GLASS	E2E1
211	3C	*	B19-2200-04	LIGHTING BOARD	
214	3C	*	B43-1284-04	BADGE	
260	1C	*	B07-3022-02	ESCUTCHEON	E2E1
260	1C	*	B07-3075-02	ESCUTCHEON	K
215	3D		D10-4730-03	LEVER	
216	3D		D10-4731-03	LEVER	
217	3D		D39-0255-05	DAMPER	
262	1C		D10-4589-04	LEVER	
219	3C	*	E29-1927-02	CONDUCTIVE RUBBER	
255	1D	*	E30-6227-05	CORD WITH PINPLUG	K
256	1D	*	E30-6229-05	CORD WITH PINPLUG	E2E1
257	1D	*	E30-6223-05	CORD WITH DIN CONNECTOR	E2E1
△ DC1	1C	*	E30-4939-05	DC CORD	K
△ DC2	1C	*	E30-4944-05	DC CORD	E2
△ DC2	1C	*	E30-4958-05	DC CORD	E1
FC1	2C	*	E39-0438-05	FLAT CABLE (24PIN)	
258	1D	*	F29-0626-04	INSULATING COVER	
△ F1	2D	*	F52-0006-05	FUSE(MINI BLADE TYPE : 10A)	
226	3C	*	G01-3129-04	COMPRESSION SPRING	
227	3D	*	G01-3171-04	TORSION COIL SPRING	
228	3D	*	G01-3172-04	TORSION COIL SPRING	
229	2C	*	G01-3173-04	COMPRESSION SPRING	
230	3D	*	G13-1267-04	CUSHION	
231	3D	*	G13-1268-04	CUSHION	
-			H10-4856-12	POLYSTYRENE FOAMED FIXTURE	KE2
-			H10-4857-02	POLYSTYRENE FOAMED FIXTURE	E1
-			H25-0329-04	PROTECTION BAG (280X450X0.03)	KE2
-			H25-0337-04	PROTECTION BAG (180X300X0.03)	

K: KDC-X469

E1: KDC-6024

E2: KDC-6024Y

Ref. No.	A d d	N e w	Parts No.	Description	Dest inati on
-		*	H25-1111-04	PROTECTION BAG (280X450X0.03)	E1
-		*	H54-2783-03	ITEM CARTON CASE	K
-		*	H54-2790-03	ITEM CARTON CASE	E2
-		*	H54-2796-03	ITEM CARTON CASE	E1
232	3D	*	J19-5203-03	HOLDER	
233	3D	*	J19-5204-03	HOLDER	
234	2C	*	J19-5205-03	HOLDER	
235	3C	*	J19-5206-02	HOLDER	
266	1C	*	J21-9716-03	MOUNTING HARDWARE ASSY	
239	3C	*	K23-1072-03	KNOB (VOL)	E1
239	3C	*	K23-1072-13	KNOB (VOL)	KE2
240	3D	*	K24-4000-03	KNOB (EJECT)	
241	3C	*	K24-4002-04	KNOB (DOOR)	
242	3C	*	K25-1521-03	KNOB (1-6)	
243	3C	*	K25-1522-04	KNOB (DISP)	
244	3C	*	K25-1523-03	KNOB (PLAY,STOP)	
245	3C	*	K25-1524-03	KNOB (FM,AM)	
246	3C	*	K25-1525-03	KNOB (SRC,SKIP)	
264	1C	*	N99-1719-05	SCREW SET	K
265	1C	*	N99-1730-15	SCREW SET	
A	3D	*	N30-3008-46	PAN HEAD MACHINE SCREW	
B	3C	*	N80-2006-46	PAN HEAD TAPTITE SCREW	
C	2C	*	N80-2008-45	PAN HEAD TAPTITE SCREW	
F	2D	*	N83-3005-46	PAN HEAD TAPTITE SCREW	
H	3D	*	N84-2005-45	PAN HEAD TAPTITE SCREW	
J	3D	*	N84-2606-45	PAN HEAD TAPTITE SCREW	
261	1C	*	T90-0523-05	ANTENNA ADAPTOR	E2E1
-		*	X16-2020-10	SWITCH UNIT	E2
-		*	X16-2020-12	SWITCH UNIT	K
-		*	X16-2222-70	SWITCH UNIT	E1
-		*	X25-9712-71	ELECTRIC UNIT	E1
-		*	X25-9800-10	ELECTRIC UNIT	K
-		*	X25-9802-71	ELECTRIC UNIT	E2
-		*	X89-2570-10	DAUGHTER UNIT	KE2
-		*	X89-2602-70	DAUGHTER UNIT	E1
DEM1	1D	*	X92-4450-00	MECHANISM ASSY (DXM-6110W)	KE2
DEM1	1D	*	X92-4450-01	MECHANISM ASSY (DXM-6111W)	E1
SWITCH UNIT (X16-2020-10/12/2222-70)					
250	3C	*	B11-1396-04	OPTICAL DIFFUSER	
251	2C	*	B11-1397-04	REFLECTION SHEET	
252	2C	*	B19-2199-03	LIGHTING BOARD	
D1 -14		*	B30-1566-05	LED(1608,RED)	K
D1 -14		*	B30-1605-05	LED(2COLOR PG/RED)	E2E1
D15 ,16		*	B30-1564-05	LED(1608,BLUE)	
D17 ,18		*	B30-1571-05	LED(WHITE)	
ED1		*	B38-1103-05	LIQUID CRYSTAL	
C1		*	CK73GB1H102K	CHIP C 1000PF	K
C2 -5		*	CK73GB1C104K	CHIP C 0.10UF	K
C6		*	CK73GB1H103K	CHIP C 0.010UF	K
C7		*	CK73FB1A225K	CHIP C 2.2UF	K
C8 -13		*	CK73GB1H103K	CHIP C 0.010UF	K
253	3C	*	E29-1925-04	CONDUCTIVE RUBBER	
J1		*	E59-0829-05	RECTANGULAR PLUG	

△ indicates safety critical components.

KDC-6024/Y/X469

PARTS LIST

* New Parts

Parts without **Parts No.** are not supplied.

Les articles non mentionnes dans le **Parts No.** ne sont pas fournis.

Teile ohne **Parts No.** werden nicht geliefert.

SWITCH UNIT (X16-2020-10/12/2222-70)

Ref. No.	A d d	N e w	Parts No.	Description	Dest inati on
254	3C	*	F09-1823-04	SHEET	
CP1			R90-0714-05	MULTI-COMP 10K X4	
CP3			R90-1016-05	MULTI-COMP 470 X4	
R1			RK73GB2A303J	CHIP R 30K J 1/10W	
R2 -5			RK73GB2A222J	CHIP R 2.2K J 1/10W	
R6			RK73GB2A473J	CHIP R 47K J 1/10W	
R9			RK73GB2A392J	CHIP R 3.9K J 1/10W	
R10			RK73GB2A751J	CHIP R 750 J 1/10W	
R11			RK73GB2A4R7J	CHIP R 4.7 J 1/10W	
R13			RK73GB2A101J	CHIP R 100 J 1/10W	
R15			RK73GB2A102J	CHIP R 1.0K J 1/10W	
R16 -19			RK73GB2A222J	CHIP R 2.2K J 1/10W	E2E1
R20 -23			RK73FB2B331J	CHIP R 330 J 1/8W	
R24 ,25			RK73FB2B361J	CHIP R 360 J 1/8W	
R26			RK73FB2B271J	CHIP R 270 J 1/8W	
R27 ,28			RK73GB2A472J	CHIP R 4.7K J 1/10W	
S24			T99-0446-05	ROTARY ENCODER	
D19			MA3091-L	ZENER DIODE	
IC1			LC75808W	MOS-IC	
IC2			PNA4S22M	ANALOGUE IC	
Q1			2SC4081	TRANSISTOR	
Q2			DTA114EUA	DIGITAL TRANSISTOR	
Q3 -5			2SC4081	TRANSISTOR	E2E1
Q5			2SC4081	TRANSISTOR	K
ELECTRIC UNIT (X25-9712-71/9800-10/9802-71)					
C1			C90-5242-05	ELECTRO 330UF 16WV	E2E1
C1			C90-5484-05	ALMINIUM ELECTROLYTIC C.	K
C2			CK73GB1H103K	CHIP C 0.010UF K	
C3			CK73GB1H102K	CHIP C 1000PF K	
C4 -6			CK73GB1H103K	CHIP C 0.010UF K	
C20			C90-2962-05	ELECTRO 100UF 16WV	
C21			CE04NW1A101M	ELECTRO 100UF 10WV	
C22			CE04NW1E100M	ELECTRO 10UF 25WV	E2E1
C22 ,23			CE04NW1E100M	ELECTRO 10UF 25WV	K
C24 ,25			CE04NW1C100M	ELECTRO 10UF 16WV	
C26			CE04NW1E100M	ELECTRO 10UF 25WV	
C27			CE04CW1H100M	ELECTRO 10UF 50WV	
C28			C90-2980-05	ELECTRO 220UF 16WV	
C29			CE04NW1C100M	ELECTRO 10UF 16WV	
C31			CK73GB1H103K	CHIP C 0.010UF K	E2E1
C32			CK73GB1E223K	CHIP C 0.022UF K	
C33			CE04NW1H010M	ELECTRO 1.0UF 50WV	
C34			CK73GB1H103K	CHIP C 0.010UF K	
C51 ,52			CK73GB1H103K	CHIP C 0.010UF K	
C111			CK73GB1H102K	CHIP C 1000PF K	
C112,113			CC73GCH1H270J	CHIP C 27PF J	E2E1
C114			CK73GB1H103K	CHIP C 0.010UF K	E2E1
C115			CE04NW1C100M	ELECTRO 10UF 16WV	E2E1
C116			CC73GCH1H331J	CHIP C 330PF J	E2E1
C117			CE04NW1H2R2M	ELECTRO 2.2UF 50WV	E2E1
C118			CC73GCH1H681J	CHIP C 680PF J	E2E1
C119			CK73GB1H103K	CHIP C 0.010UF K	
C163			CK73GB1A224K	CHIP C 0.22UF K	

Ref. No.	A d d	N e w	Parts No.	Description	Dest inati on
C201,202			CE04NW1HR47M	ELECTRO 0.47UF 50WV	
C203			CK73GB1H223K	CHIP C 0.022UF K	
C204			CK73GB1H103K	CHIP C 0.010UF K	
C205			CK73GB1A474K	CHIP C 0.47UF K	
C206			CC73GCH1H151J	CHIP C 150PF J	
C207,208			CE04NW1H010M	ELECTRO 1.0UF 50WV	K
C209			CE04MW1H2R2M	ELECTRO 2.2UF 50WV	K
C209			CE04NW1H2R2M	ELECTRO 2.2UF 50WV	E2E1
C210			CK73GB1H103K	CHIP C 0.010UF K	
C211			CE04NW1A470M	ELECTRO 47UF 10WV	
C212,213			CK73GB1C104K	CHIP C 0.10UF K	
C214,215			CK73GB1H103K	CHIP C 0.010UF K	
C216,217			CE04NW1H010M	ELECTRO 1.0UF 50WV	
C218-221			CE04NW1H0R1M	ELECTRO 0.1UF 50WV	
C222-225			CK73GB1C104K	CHIP C 0.10UF K	K
C226,227			CK73FB1A105K	CHIP C 1.0UF K	K
C251-254			C90-5296-05	NP-ELECT 0.22UF 50WV	
C255			CE04NW1HR47M	ELECTRO 0.47UF 50WV	
C256			CE04NW1C220M	ELECTRO 22UF 16WV	
C257			CK73GB1C104K	CHIP C 0.10UF K	
C258			CE04NW1H010M	ELECTRO 1.0UF 50WV	
C301,302			CE04NW1HR47M	ELECTRO 0.47UF 50WV	
C303			CE04NW1A470M	ELECTRO 47UF 10WV	
C304			CK73GB1H103K	CHIP C 0.010UF K	
C351-354			CE04NW1C100M	ELECTRO 10UF 16WV	
C356,357			CK73GB1H103K	CHIP C 0.010UF K	
C358,359			CE04NW1C100M	ELECTRO 10UF 16WV	K
C360			CK73GB1H103K	CHIP C 0.010UF K	K
C401-404			CK73GB1C104K	CHIP C 0.10UF K	
C405			CK73GB0J105K	CHIP C 1.0UF K	
C406			CK73GB1C104K	CHIP C 0.10UF K	
C407			CC73GCH1H220J	CHIP C 22PF J	
C408			CC73GCH1H270J	CHIP C 27PF J	
C409			CE04CW0J470M	ELECTRO 47UF 6.3WV	
C500			CK73FB1A225K	CHIP C 2.2UF K	
C501,502			CK73GB1H103K	CHIP C 0.010UF K	
C503			CK73GB1H472K	CHIP C 4700PF K	
CN1			E41-0167-05	PIN ASSY (18PIN)	
CN2			E41-0168-05	FLAT CABLE CONNECTOR(24PIN)	
CN3			E40-3238-05	PIN ASSY (3PIN)	E2E1
CN4			E40-3241-05	PIN ASSY (6PIN)	K
CN5			E40-3260-05	PIN ASSY (2PIN)	E2E1
CN6			E40-3261-05	PIN ASSY (3PIN)	E2E1
J1			E58-0863-15	RECTANGULAR RECEPTACLE	
J2			E56-0834-05	CYLINDRICAL RECEPTACLE	
J3			E63-0887-05	PIN JACK	
J4			E04-0312-05	RF COAXIAL CABLE RECEPTACLE	
P1			E23-0745-05	TERMINAL	
W1 -11			E31-0001-00	JUMPER WIRE	E2E1
W1 -9			E31-0001-00	JUMPER WIRE	K
W11			E31-0001-00	JUMPER WIRE	K
W16 -19			E31-0001-00	JUMPER WIRE	E2E1
W16 -27			E31-0001-00	JUMPER WIRE	K
W21 -27			E31-0001-00	JUMPER WIRE	E2E1

K: KDC-X469 E1: KDC-6024 E2: KDC-6024Y

PARTS LIST

* New Parts

Parts without **Parts No.** are not supplied.

Les articles non mentionnés dans le **Parts No.** ne sont pas fournis.

Teile ohne **Parts No.** werden nicht geliefert.

ELECTRIC UNIT (X25-9712-71/9800-10/9802-71)

Ref. No.	A d d	N e w	Parts No.	Description	Dest inati on
W29 -34			E31-0001-00	JUMPER WIRE	
L1			L33-1170-05	CHOKE COIL ASSY	
L2			L33-1926-05	CHOKE COIL	
L3			L33-1123-05	LINE FILTER COIL	
L6 -11			L40-4795-91	SMALL FIXED INDUCTOR(4.7UH,J)	E2E1
L6 -8			L40-4795-91	SMALL FIXED INDUCTOR(4.7UH,J)	K
L10 ,11			L40-4795-91	SMALL FIXED INDUCTOR(4.7UH,J)	K
X1			L78-0821-05	RESONATOR (20MHz)	
X2			L77-2738-05	CRYSTAL RESONATOR (32.768KHz)	
X3			L77-2002-05	CRYSTAL RESONATOR (4.332MHz)	E2E1
D	2D		N80-3008-46	PAN HEAD TAPTITE SCREW	
E	2D		N80-3010-46	PAN HEAD TAPTITE SCREW	
F	2D		N83-3005-46	PAN HEAD TAPTITE SCREW	
G	2D		N83-3020-46	PAN HEAD TAPTITE SCREW	
K	2D		N86-2606-46	BINDING HEAD TAPTITE SCREW	
R1			RK73GB2A823J	CHIP R 82K J 1/10W	
R2			RK73GB2A363J	CHIP R 36K J 1/10W	
R3			RK73GB2A104J	CHIP R 100K J 1/10W	
R4			RK73FB2B203J	CHIP R 20K J 1/8W	
R5 ,6			RK73GB2A103J	CHIP R 10K J 1/10W	
R7			RK73GB2A223J	CHIP R 22K J 1/10W	
R8			RD14DB2H332J	SMALL-RD 3.3K J 1/2W	
R9			RD14BB2C333J	RD 33K J 1/6W	
R10			RK73GB2A223J	CHIP R 22K J 1/10W	
R11			RK73GB2A104J	CHIP R 100K J 1/10W	
R12			RK73GB2A473J	CHIP R 47K J 1/10W	
R13			RK73GB2A562J	CHIP R 5.6K J 1/10W	
R21			RK73FB2B152J	CHIP R 1.5K J 1/8W	
R22 ,23			RD14BB2C472J	RD 4.7K J 1/6W	
R24 -28			RK73GB2A103J	CHIP R 10K J 1/10W	
R31			RK73EB2E103J	CHIP R 10K J 1/4W	E2E1
R32			RK73GB2A104J	CHIP R 100K J 1/10W	K
R32			RK73GB2A223J	CHIP R 22K J 1/10W	E2E1
R33			RK73GB2A473J	CHIP R 47K J 1/10W	E2E1
R34			RK73EB2E103J	CHIP R 10K J 1/4W	
R35			RK73GB2A104J	CHIP R 100K J 1/10W	
R36			RK73GB2A222J	CHIP R 2.2K J 1/10W	
R37			RK73EB2E102J	CHIP R 1.0K J 1/4W	K
R38			RK73GB2A561J	CHIP R 560 J 1/10W	K
R51 ,52			RK73GB2A222J	CHIP R 2.2K J 1/10W	
R53 -56			RK73GB2A102J	CHIP R 1.0K J 1/10W	
R57 ,58			RK73GB2A222J	CHIP R 2.2K J 1/10W	
R59			RK73GB2A101J	CHIP R 100 J 1/10W	
R60			RK73GB2A222J	CHIP R 2.2K J 1/10W	
R61 ,62			RK73GB2A104J	CHIP R 100K J 1/10W	
R63			RK73GB2A222J	CHIP R 2.2K J 1/10W	
R64 ,65			RK73GB2A104J	CHIP R 100K J 1/10W	
R67 ,68			RK73GB2A471J	CHIP R 470 J 1/10W	
R101			RK73GB2A102J	CHIP R 1.0K J 1/10W	
R102			RK73GB2A471J	CHIP R 470 J 1/10W	
R103			RK73GB2A472J	CHIP R 4.7K J 1/10W	
R104			RK73GB2A471J	CHIP R 470 J 1/10W	
R105			RK73GB2A472J	CHIP R 4.7K J 1/10W	
R106			RK73GB2A222J	CHIP R 2.2K J 1/10W	

Ref. No.	A d d	N e w	Parts No.	Description	Dest inati on
R111			RK73GB2A472J	CHIP R 4.7K J 1/10W	E2E1
R112-115			RK73GB2A222J	CHIP R 2.2K J 1/10W	E2E1
R116			RK73GB2A104J	CHIP R 100K J 1/10W	E2E1
R152			RK73GB2A102J	CHIP R 1.0K J 1/10W	
R153			RK73GB2A471J	CHIP R 470 J 1/10W	
R154			RK73GB2A102J	CHIP R 1.0K J 1/10W	
R155			RK73GB2A222J	CHIP R 2.2K J 1/10W	
R157,158			RK73GB2A471J	CHIP R 470 J 1/10W	
R159			RK73GB2A102J	CHIP R 1.0K J 1/10W	
R160			RK73GB2A222J	CHIP R 2.2K J 1/10W	
R161			RK73GB2A225J	CHIP R 2.2M J 1/10W	
R162,163			RK73GB2A104J	CHIP R 100K J 1/10W	
R164,165			RK73GB2A473J	CHIP R 47K J 1/10W	
R166			RK73GB2A472J	CHIP R 4.7K J 1/10W	
R167			RK73GB2A474J	CHIP R 470K J 1/10W	
R168,169			RK73GB2A102J	CHIP R 1.0K J 1/10W	
R185,186			RK73GB2A474J	CHIP R 470K J 1/10W	
R187			RK73GB2A222J	CHIP R 2.2K J 1/10W	
R188			RK73GB2A473J	CHIP R 47K J 1/10W	
R201			RK73GB2A103J	CHIP R 10K J 1/10W	
R202-204			RK73GB2A472J	CHIP R 4.7K J 1/10W	
R205			RK73GB2A222J	CHIP R 2.2K J 1/10W	
R206-208			RK73GB2A102J	CHIP R 1.0K J 1/10W	
R209,210			RK73GB2A103J	CHIP R 10K J 1/10W	
R211-216			RK73GB2A333J	CHIP R 33K J 1/10W	K
R211,212			RK73GB2A333J	CHIP R 33K J 1/10W	E2E1
R251			RK73GB2A103J	CHIP R 10K J 1/10W	
R252,253			RK73GB2A473J	CHIP R 47K J 1/10W	
R254			RK73GB2A152J	CHIP R 1.5K J 1/10W	
R255			RK73GB2A101J	CHIP R 100 J 1/10W	
R256			RK73GB2A103J	CHIP R 10K J 1/10W	
R257			RK73GB2A153J	CHIP R 15K J 1/10W	
R259-262			RK73GB2A223J	CHIP R 22K J 1/10W	
R301,302			RK73EB2E100J	CHIP R 10 J 1/4W	
R303			RK73EB2E101J	CHIP R 100 J 1/4W	
R304,305			RK73EB2E472J	CHIP R 4.7K J 1/4W	
R306			RK73EB2E477J	CHIP R 4.7 J 1/4W	
R307-309			RK73EB2E472J	CHIP R 4.7K J 1/4W	
R310,311			RK73EB2E101J	CHIP R 100 J 1/4W	
R312-315			RK73GB2A104J	CHIP R 100K J 1/10W	
R351,352			RK73GB2A361J	CHIP R 360 J 1/10W	
R355,356			RK73GB2A223J	CHIP R 22K J 1/10W	
R357,358			RK73EB2E181J	CHIP R 180 J 1/4W	
R359,360			RK73GB2A361J	CHIP R 360 J 1/10W	
R361,362			RK73GB2A223J	CHIP R 22K J 1/10W	
R363,364			RK73EB2E181J	CHIP R 180 J 1/4W	
R366-368			RK73FB2B471J	CHIP R 470 J 1/8W	E2E1
R369			RK73EB2E471J	CHIP R 470 J 1/4W	E2E1
R370-372			RK73GB2A101J	CHIP R 100 J 1/10W	E2E1
R374,375			RK73GB2A361J	CHIP R 360 J 1/10W	K
R376,377			RK73GB2A223J	CHIP R 22K J 1/10W	K
R378,379			RK73FB2B181J	CHIP R 180 J 1/8W	K
R401-408			RK73GB2A104J	CHIP R 100K J 1/10W	
R409			RK73GB2A153J	CHIP R 15K J 1/10W	
R410			RK73GB2A104J	CHIP R 100K J 1/10W	E2E1

K: KDC-X469

E1: KDC-6024

E2: KDC-6024Y

△ indicates safety critical components.

KDC-6024/Y/X469

PARTS LIST

* New Parts

Parts without **Parts No.** are not supplied.

Les articles non mentionnes dans le **Parts No.** ne sont pas fournis.

Teile ohne **Parts No.** werden nicht geliefert.

ELECTRIC UNIT (X25-9712-71/9800-10/9802-71)

Ref. No.	A d d	N e w	Parts No.	Description	Dest inati on
R410,411			RK73GB2A104J	CHIP R 100K J 1/10W	K
R412			RK73GB2A104J	CHIP R 100K J 1/10W	E2E1
R415			RK73GB2A104J	CHIP R 100K J 1/10W	
R417			RK73GB2A104J	CHIP R 100K J 1/10W	
R419			RK73GB2A104J	CHIP R 100K J 1/10W	K
R419,420			RK73GB2A104J	CHIP R 100K J 1/10W	E2E1
R421			RK73GB2A104J	CHIP R 100K J 1/10W	K
R422			RK73GB2A103J	CHIP R 10K J 1/10W	
W101,102			R92-2052-05	CHIP R 0 OHM J 1/10W	K
W103,104			R92-1252-05	CHIP R 0 OHM J 1/16W	K
S1			S74-0821-05	MICRO SWITCH	
D1			1N5393G-M6	DIODE	
D2 -4			MA4068(N)-M	ZENER DIODE	
D21			MA4082(N)-L	ZENER DIODE	
D22 -25			AM01Z	DIODE	
D26			DAN202U	DIODE	
D26			MA142WK	DIODE	KE2
D31			HZS5B1	ZENER DIODE	E2E1
D32			MA4056-M	ZENER DIODE	K
D151-155			DA204K	DIODE	
D151-155			KDS226	DIODE	KE2
D157-162			DA204K	DIODE	
D157-162			KDS226	DIODE	KE2
D163			MA4062-L	ZENER DIODE	
D164			MA4120-L	ZENER DIODE	
D165			MA4062-L	ZENER DIODE	
D166			DA204U	DIODE	
D201,202			RD6.8M(B2)	ZENER DIODE	
D203-205			DAP202U	DIODE	
D203-205			MA142WA	DIODE	KE2
D251-258			AM01Z	DIODE	
D269-271			1SS133	DIODE	
D301			MA4062-L	ZENER DIODE	
D303,304			MA4062-L	ZENER DIODE	
D307,308			MA4062-L	ZENER DIODE	
D309-311			MA4068(N)-M	ZENER DIODE	
D351			MA3062WA	ZENER DIODE	E2E1
D352			DA204U	DIODE	E2E1
D401			1SS133	DIODE	
IC1		*	UPD703030GC013	MI-COM IC	
IC2		*	TDA7411	ANALOGUE IC	
IC3			BA4911-V4	ANALOGUE IC	
IC4			TA8273H	ANALOGUE IC	
IC6			HD74HC27FP	MOS-IC	
IC7			SAA6581T	ANALOGUE IC	E2E1
IC8		*	PST3436UL	MOS-IC	
Q1 -3			2SC4081	TRANSISTOR	
Q4			2SA1036K	TRANSISTOR	
Q21			2SD2375	TRANSISTOR	
Q22			UMC2N	TRANSISTOR	E2E1
Q22 ,23			UMC2N	TRANSISTOR	K
Q31			DTC144EUA	DIGITAL TRANSISTOR	
Q31			KRC404	DIGITAL TRANSISTOR	KE2
Q31			UN5213	DIGITAL TRANSISTOR	KE2

Ref. No.	A d d	N e w	Parts No.	Description	Dest inati on
Q32			DTA123JK	DIGITAL TRANSISTOR	K
Q101			DTC143TUA	DIGITAL TRANSISTOR	E2E1
Q101			KRC410	DIGITAL TRANSISTOR	E2
Q101			UN5216	DIGITAL TRANSISTOR	E2
Q151			DTA114YUA	DIGITAL TRANSISTOR	
Q151			KRA307	DIGITAL TRANSISTOR	KE2
Q151			UN5114	DIGITAL TRANSISTOR	KE2
Q152			2SA1576A	TRANSISTOR	
Q153			DTC144EUA	DIGITAL TRANSISTOR	
Q153			KRC404	DIGITAL TRANSISTOR	KE2
Q153			UN5213	DIGITAL TRANSISTOR	KE2
Q154			2SA1577	TRANSISTOR	
Q201			DTC143TUA	DIGITAL TRANSISTOR	
Q201			KRC410	DIGITAL TRANSISTOR	KE2
Q201			UN5216	DIGITAL TRANSISTOR	KE2
Q350			DTA124EUA	DIGITAL TRANSISTOR	
Q350			KRA303	DIGITAL TRANSISTOR	KE2
Q350			UN5112	DIGITAL TRANSISTOR	KE2
Q351,352			DTC143TUA	DIGITAL TRANSISTOR	
Q351,352			KRC410	DIGITAL TRANSISTOR	KE2
Q351,352			UN5216	DIGITAL TRANSISTOR	KE2
Q354			DTA124EUA	DIGITAL TRANSISTOR	
Q354			KRA303	DIGITAL TRANSISTOR	KE2
Q354			UN5112	DIGITAL TRANSISTOR	KE2
Q355-358			DTC143TUA	DIGITAL TRANSISTOR	K
Q355-358			KRC410	DIGITAL TRANSISTOR	K
Q355-358			UN5216	DIGITAL TRANSISTOR	K
Q355,356			DTC143TUA	DIGITAL TRANSISTOR	E2E1
Q355,356			KRC410	DIGITAL TRANSISTOR	E2
Q355,356			UN5216	DIGITAL TRANSISTOR	E2
TH1			PTH9C42BE471Q	POSITIVE RESISTOR	
A1		*	X86-3720-11	FRONT-END UNIT	K
A1		*	X86-3722-70	FRONT-END UNIT	E2
A1		*	X86-3722-71	FRONT-END UNIT	E1
CD PLAYER UNIT (X32-5200-00)					
C1 ,2			CK73GB0J105K	CHIP C 1.0UF	K
C3			CK73FB1A225K	CHIP C 2.2UF	K
C4			C92-0566-05	CHIP-TAN 10UF	6.3WV
C5			CC73GCH1H220J	CHIP C 22PF	J
C6			CC73GCH1H030C	CHIP C 3.0PF	C
C7			CK73GB1C104K	CHIP C 0.10UF	K
C8			CK73GB0J105K	CHIP C 1.0UF	K
C10			CK73GB1H472K	CHIP C 4700PF	K
C11			CK73GB1H682K	CHIP C 6800PF	K
C12			CK73GB1H332K	CHIP C 3300PF	K
C13			CK73GB1C333K	CHIP C 0.033UF	K
C14			CK73GB1H472K	CHIP C 4700PF	K
C15			CK73GB1E473K	CHIP C 0.047UF	K
C16			CC73GCH1H221J	CHIP C 220PF	J
C17			CK73GB1H472K	CHIP C 4700PF	K
C18			CC73GCH1H331J	CHIP C 330PF	J
C19 ,20			CK73GB1C104K	CHIP C 0.10UF	K
C21			CK73FB1A225K	CHIP C 2.2UF	K
C23			CK73GB1H102K	CHIP C 1000PF	K

K: KDC-X469

E1: KDC-6024

E2: KDC-6024Y

PARTS LIST

* New Parts

Parts without **Parts No.** are not supplied.

Les articles non mentionnes dans le **Parts No.** ne sont pas fournis.

Teile ohne **Parts No.** werden nicht geliefert.

CD PLAYER UNIT (X32-5200-00)

Ref. No.	A d d	N e w	Parts No.	Description	Dest inati on
C24			CK73GB1E223K	CHIP C 0.022UF K	
C25			CK73GB1H153K	CHIP C 0.015UF K	
C26			CK73GB0J105K	CHIP C 1.0UF K	
C28			CK73GB0J105K	CHIP C 1.0UF K	
C29			CK73GB1C104K	CHIP C 0.10UF K	
C33			CK73GB1C104K	CHIP C 0.10UF K	
C35			CK73GB1C104K	CHIP C 0.10UF K	
C39			CK73GB1H152K	CHIP C 1500PF K	
C40			CK73GB1H103K	CHIP C 0.010UF K	
C41			CK73EB1C225K	CHIP C 2.2UF K	
C42			CK73GB1H152K	CHIP C 1500PF K	
C44			CK73GB1H103K	CHIP C 0.010UF K	
C46			CK73GB1E473K	CHIP C 0.047UF K	
C51			CK73GB1C104K	CHIP C 0.10UF K	
C55			CK73GB1C104K	CHIP C 0.10UF K	
C67 ,68			CK73GB1C104K	CHIP C 0.10UF K	
C71 ,72			CK73GB1H471K	CHIP C 470PF K	
C77 ,78			CC73GCH1H680J	CHIP C 68PF J	
C79 ,80			CK73GB1H222K	CHIP C 2200PF K	
C85			CK73GB1C104K	CHIP C 0.10UF K	
C89			CK73GB1H222K	CHIP C 2200PF K	
CN1			E40-9536-05	FLAT CABLE CONNECTOR (16PIN)	
CN1			E41-0193-05	FLAT CABLE CONNECTOR (16PIN)	
CN2			E40-9527-05	FLAT CABLE CONNECTOR (24PIN)	
CN2			E41-0213-05	FLAT CABLE CONNECTOR (24PIN)	
X1			L78-0851-05	RESONATOR (16.934MHZ)	
CP1			R90-1019-05	MULTI-COMP 100 X2	
CP2			R90-1014-05	MULTI-COMP 100 X4	
R3			RK73GB2A272J	CHIP R 2.7K J 1/10W	
R5			RK73GB2A361J	CHIP R 360 J 1/10W	
R6			RK73GB2A272J	CHIP R 2.7K J 1/10W	
R7			RK73GB2A104J	CHIP R 100K J 1/10W	
R8			RK73GB2A472J	CHIP R 4.7K J 1/10W	
R9			RK73FB2B100J	CHIP R 10 J 1/8W	
R10 ,11			RK73GB2A562J	CHIP R 5.6K J 1/10W	
R12			RK73GB2A682J	CHIP R 6.8K J 1/10W	
R13			RK73GB2A392J	CHIP R 3.9K J 1/10W	
R15			RK73GB2A824J	CHIP R 820K J 1/10W	
R16			RK73GB2A223J	CHIP R 22K J 1/10W	
R17			RK73GB2A393J	CHIP R 39K J 1/10W	
R18			RK73GB2A392J	CHIP R 3.9K J 1/10W	
R19			RK73GB2A473J	CHIP R 47K J 1/10W	
R20			RK73GB2A104J	CHIP R 100K J 1/10W	
R21			RK73GB2A244J	CHIP R 240K J 1/10W	
R22			RK73GB2A623J	CHIP R 62K J 1/10W	
R32			RK73GB2A683J	CHIP R 68K J 1/10W	
R34			RK73GB2A363J	CHIP R 36K J 1/10W	
R35			RK73GB2A104J	CHIP R 100K J 1/10W	
R36			RK73GB2A151J	CHIP R 150 J 1/10W	
R37			RK73GB2A471J	CHIP R 470 J 1/10W	
R38			RK73GB2A224J	CHIP R 220K J 1/10W	
R40			RK73GB2A133J	CHIP R 13K J 1/10W	
R46			RK73GB2A102J	CHIP R 1.0K J 1/10W	

Ref. No.	A d d	N e w	Parts No.	Description	Dest inati on
R47			RK73GB2A103J	CHIP R 10K J 1/10W	
R49			RK73GB2A472J	CHIP R 4.7K J 1/10W	
R52			RK73GB2A104J	CHIP R 100K J 1/10W	
R53			RK73GB2A103J	CHIP R 10K J 1/10W	
R54			RK73GB2A104J	CHIP R 100K J 1/10W	
R70			RK73GB2A103J	CHIP R 10K J 1/10W	
R71			RK73GB2A183J	CHIP R 18K J 1/10W	
R73			RK73GB2A683J	CHIP R 68K J 1/10W	
R74			RK73GB2A123J	CHIP R 12K J 1/10W	
R75			RK73GB2A333J	CHIP R 33K J 1/10W	
R76			RK73GB2A103J	CHIP R 10K J 1/10W	
R79 ,80			RK73GB2A103J	CHIP R 10K J 1/10W	
R81			RK73GB2A333J	CHIP R 33K J 1/10W	
R82			RK73GB2A223J	CHIP R 22K J 1/10W	
R84			RK73GB2A103J	CHIP R 10K J 1/10W	
R101,102			RK73GB2A332J	CHIP R 3.3K J 1/10W	
R103,104			RK73GB2A562J	CHIP R 5.6K J 1/10W	
R107,108			RK73FB2B331J	CHIP R 330 J 1/8W	
R110			RK73FB2B201J	CHIP R 200 J 1/8W	
R117,118			RK73FB2B203J	CHIP R 20K J 1/8W	
R121,122			RK73FB2B203J	CHIP R 20K J 1/8W	
R125,126			RK73GB2A104J	CHIP R 100K J 1/10W	
R202			RK73GB2A104J	CHIP R 100K J 1/10W	
R213			RK73GB2A104J	CHIP R 100K J 1/10W	
R218			RK73GB2A473J	CHIP R 47K J 1/10W	
R233			RK73GB2A622J	CHIP R 6.2K J 1/10W	
R234			RK73GB2A103J	CHIP R 10K J 1/10W	
S1 ,2			S68-0863-05	PUSH SWITCH	
S3			S68-0862-05	PUSH SWITCH	
D1			DAN202U	DIODE	
D2			MA8051-L	ZENER DIODE	
D3			DA204U	DIODE	
D4			DAN202U	DIODE	
IC1			AN22002AA	ANALOGUE IC	
IC2			MN662773KH2	MOS-IC	
IC4			BA5824FP	ANALOGUE IC	
IC6			NJM4580M1	ANALOGUE IC	
Q1			MCH6101	TRANSISTOR	
Q2			DTC124EUA	DIGITAL TRANSISTOR	
Q3			DTA143XUA	DIGITAL TRANSISTOR	
Q4			2SA1362(Y)	TRANSISTOR	
Q5			DTC124EUA	DIGITAL TRANSISTOR	
DAUGHTER UNIT (X89-2570-10/2602-70)					
D1			B30-1566-05	LED(1608,RED)	
C1			CK73GB1H103K	CHIP C 0.010UF K	
CN1			E41-0169-05	SOCKET FOR PIN ASSY (18PIN)	
J1			E58-0865-05	RECTANGULAR RECEPTACLE (16PIN)	
R1			RK73EB2E102J	CHIP R 1.0K J 1/4W	
R2 -5			RK73EB2E471J	CHIP R 470 J 1/4W	
R6 ,7			RK73EB2E102J	CHIP R 1.0K J 1/4W	
R8			RK73EB2E241J	CHIP R 240 J 1/4W	
R9 ,10			RK73EB2E471J	CHIP R 470 J 1/4W	

K: KDC-X469

E1: KDC-6024

E2: KDC-6024Y

△ indicates safety critical components.

KDC-6024/Y/X469

PARTS LIST

*New Parts

Parts without **Parts No.** are not supplied.

Les articles non mentionnes dans le **Parts No.** ne sont pas fournis.

Teile ohne **Parts No.** werden nicht geliefert.

DAUGHTER UNIT(X89-2570-10/2602-70)

Ref. No.	A d d	N e w	Parts No.	Description	Dest inati on
R11 -13			RK73EB2E102J	CHIP R 1.0K J 1/4W	
S1			S70-0871-05	TACT SWITCH	
MECHANISM ASSY (X92-4450-00/01)					
2	1B		A10-4827-12	CHASSIS	
5	1B		D10-4576-33	ARM ASSY	
8	1A		D10-4579-03	LEVER ASSY	
10	3A		D10-4581-13	ARM	
11	2A		D10-4582-13	ARM	
12	3A		D10-4583-03	ARM	
13	3A		D10-4584-03	ARM	
14	3B		D10-4585-03	ARM	
15	2A		D10-4586-13	SLIDER	
16	3B		D10-4587-22	SLIDER	
17	3B		D10-4588-03	SLIDER	
18	3B		D10-4595-04	ARM	
19	3B		D10-4596-14	ARM	
22	2A		D13-2151-04	GEAR	
23	2B		D13-2152-04	GEAR	
24	3B		D13-2153-04	GEAR	
25	3B		D13-2154-04	GEAR	
26	3B		D13-2155-04	WORM	
27	3B		D13-2156-14	GEAR	
28	3B		D13-2157-04	GEAR	
29	3B		D13-2158-04	GEAR	
30	3B		D13-2168-04	GEAR	
31	3B		D13-2171-04	GEAR	
32	2B		D13-2172-03	RACK (GEAR)	
33	2A		D14-0759-04	ROLLER	
35	2B		D21-2382-04	SHAFT	
36	1A		D23-0954-04	RETAINER	
37	1B		D39-0246-05	DAMPER	
38	2B		G01-3072-04	EXTENSION SPRING	
39	2A		G01-3073-04	TORSION COIL SPRING	
40	2A		G01-3074-04	EXTENSION SPRING	
41	2B		G01-3075-04	EXTENSION SPRING	
42	2A		G01-3076-04	EXTENSION SPRING	
43	1B		G01-3077-04	EXTENSION SPRING	
44	2B		G02-1399-04	FLAT SPRING	
45	2B		G02-1408-04	FLAT SPRING	
51	1A		J21-9676-22	MOUNTING HARDWARE	
52	3B		J21-9677-02	MOUNTING HARDWARE	
53	1B		J21-9678-03	MOUNTING HARDWARE	
55	1A		J90-1001-11	GUIDE	
56	1B		J90-1023-03	GUIDE	
DFPC1	2B		J84-0141-05	FLEXIBLE PRINTED WIRING BOARD	
A	2B		N09-4460-05	TAPTITE SCREW (OVAL P TAPTIT)	
B	1B		N09-4472-05	MACHINE SCREW (M1.7X8.5)	
C	2B		N09-6004-05	MACHINE SCREW (M1.7X2.5 IB-L)	
D	1B		N09-6108-05	MACHINE SCREW (M2*3.5TYPE3)	
E	2B		N09-6007-05	MACHINE SCREW (PAN M2X2)	
F	1A		N09-6051-05	TAPTITE SCREW (BIND PΣ 2X5)	

Ref. No.	A d d	N e w	Parts No.	Description	Dest inati on
G	2A		N19-2163-04	FLAT WASHER	
H	1B		N39-2020-46	PAN HEAD MACHIN SCREW	
DM1	3B		T42-1066-04	DC MOTOR ASSY (SPINDOL)	
DM2	2B		T42-1067-04	DC MOTOR ASSY (LOADING)	
-	3A		X32-5200-00	CD PLAYER UNIT	
DPU1	2B		X93-2000-00	OPTICAL PICKUP ASSY	

K: KDC-X469

E1: KDC-6024

E2: KDC-6024Y