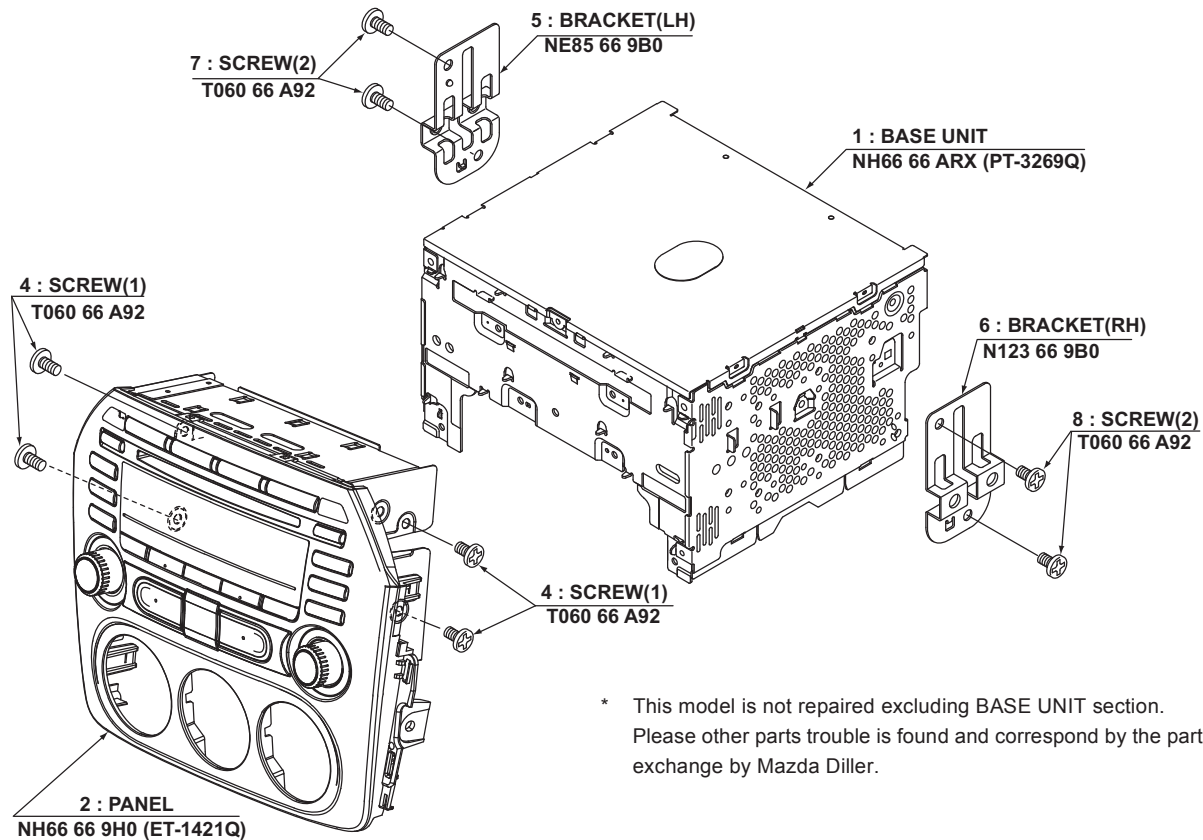


ADJUSTMENT

Main PWB(B1)section

Item	Procedure	Measuring instrument
Clock accuracy	1. Set the Chronometer to TP101, adjust TC101 so that a reading of the meter is 0 +1.5/-1.5 sec./day.	Chronometer

EXPLANATION OF UNIT COMPOSITION



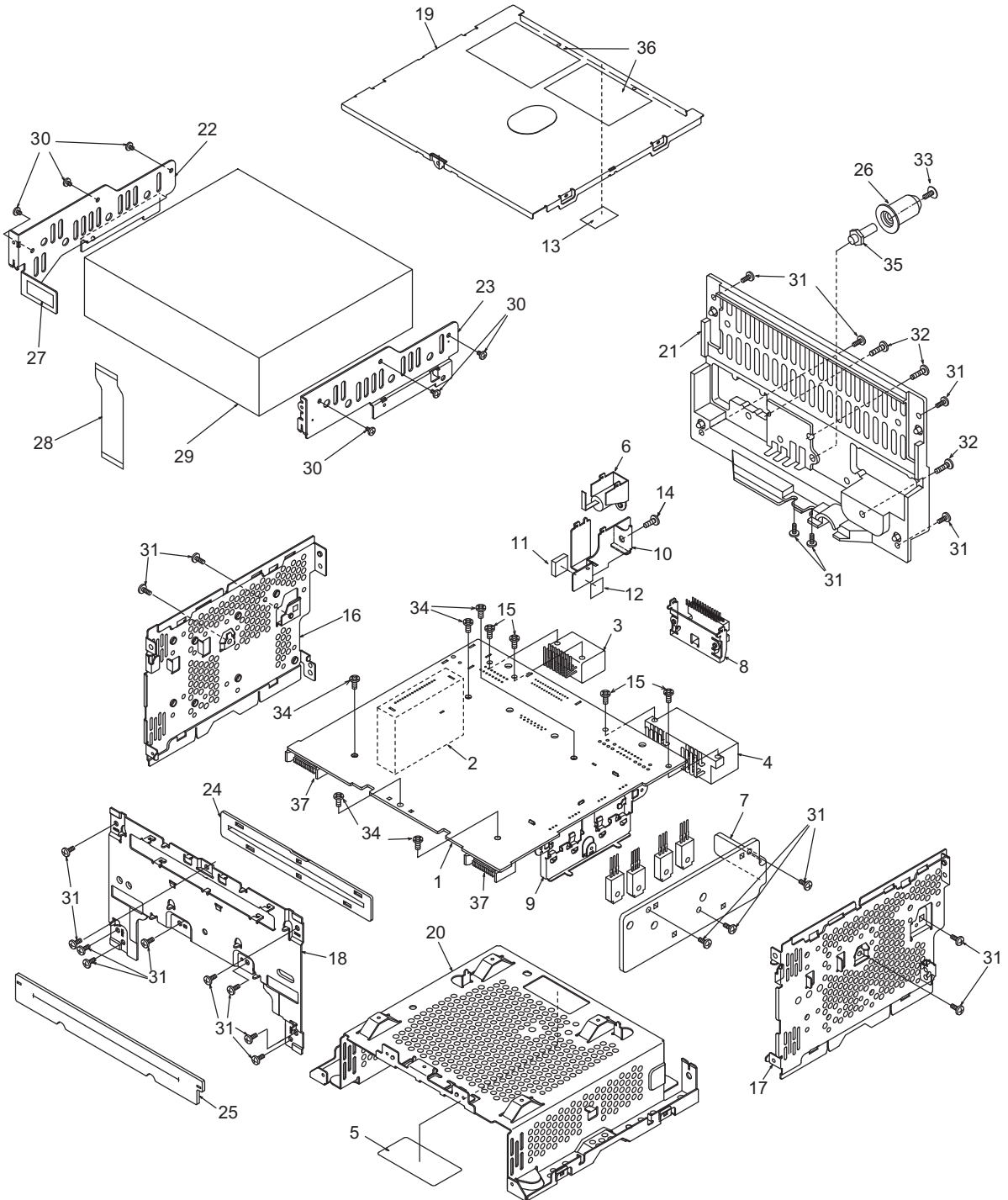
EXPLODED VIEW / PARTS LIST

BASE UNIT section (NH66 66 ARX)

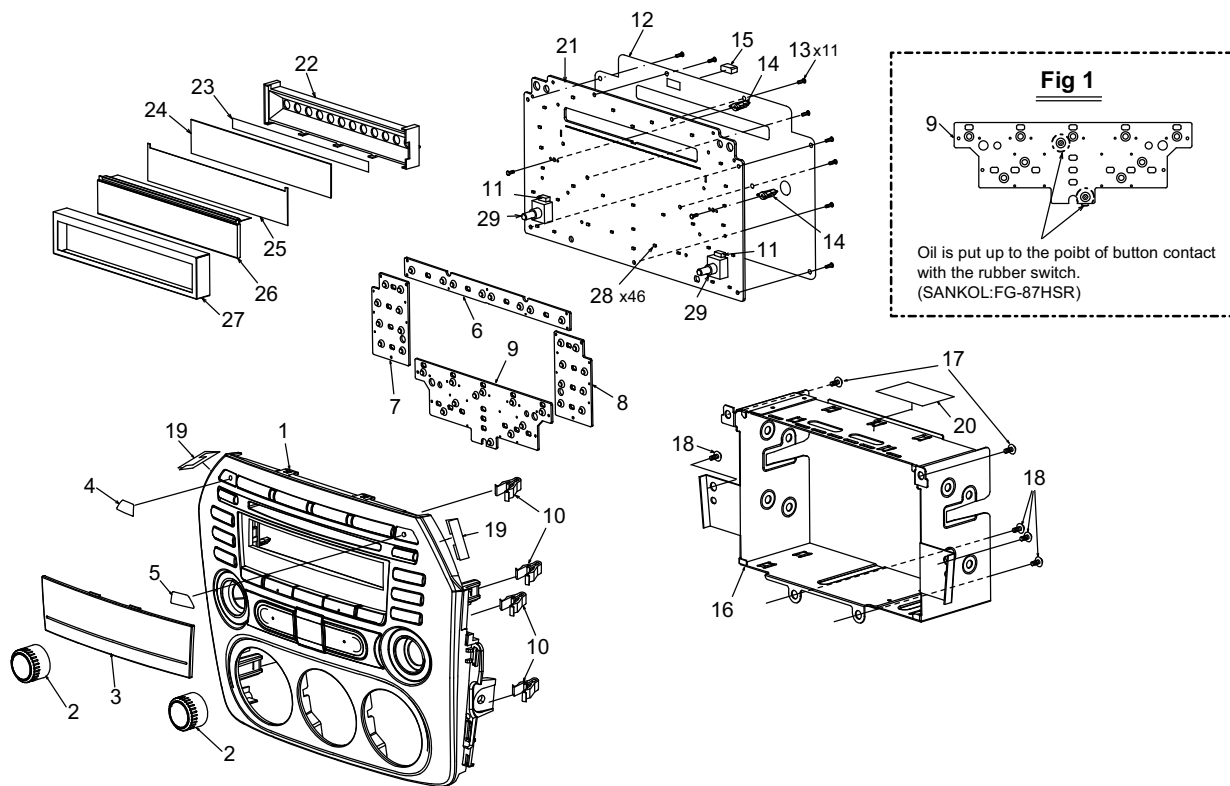
NO.	PART NO.	DESCRIPTION	Q'TY	NO.	PART NO.	DESCRIPTION	Q'TY
1	-----	Main PWB	1	13	347-8637-00	SPECER	1
2	880-2091K	TUNER	1	14	714-3006-8B	MACHINE SCREW(M3x6)	1
3	074-1259-00	OUTLET SOCKET(16P)	1	15	778-3005-00	TAP-SCREW(3x5)	4
4	074-1260-00	OUTLET SOCKET(24P)	1	16	305-0338-02	SIDE-CVR-L	1
5	347-8048-00	PROTECTOR	1	17	305-0339-02	SIDE-CVR-R	1
6	092-4000-51	ANT-RECEPT	1	18	309-0811-04	ES PLATE	1
7	313-1936-00	HEAT SINK	1	19	310-1811-11	UPPER CASE	1
8	331-4012-00	IC-HOLDER	1	20	311-1903-01	LOWER CASE	1
9	331-4013-00	TR-HOLDER	1	21	313-1935-02	HEAT SINK	1
10	331-4031-00	EARTH BRKT	1	22	331-4015-00	MECH-BRKT-L	1
11	345-5828-01	GASKET	1	23	331-4016-01	MECH-BRKT-R	1
12	347-8634-00	PROTECTOR	1	24	335-8645-00	DISC GUIDE	1

NO.	PART NO.	DESCRIPTION	Q'TY
25	346-0178-01	LEATHER SHEET	1
26	345-8494-00	REAR RUBBER	1
27	347-3072-00	DOUBLE FACE	1
28	039-2688-00	FCP	1
29	929-0420-80	6CD-MECHANISM	1
30	716-3552-00	MACHINE SCREW(M2x0.4)	6
31	714-2606-8B	MACHINE SCREW(M2.6X6)	22

NO.	PART NO.	DESCRIPTION	Q'TY
32	714-2612-89	MACHINE SCREW(M2.6x12)	3
33	716-0821-53	IT SCREW(M3x5)	1
34	716-1494-50	IT SCREW(M2.6x6)	5
35	716-1888-01	REAR BOLT	1
36	286-6750-70	SETPLATE	1
37	076-3009-64	PLUG(14P)	2



PANEL section(NH66 66 9H0)



NO.	PART NO.	DESCRIPTION	Q'TY	NO.	PART NO.	DESCRIPTION	Q'TY
1	940-8450-11	ESCUTCHEON-ASSY	1	16	300-8227-00	MTG-BRKT	1
2	380-5742-01	KNOB	2	17	716-3558-00	SCREW(M5x6)	2
3	373-1180-10	DIAL COVER	1	18	714-5006-8B	MACHINE SCREW(M5x6)	4
4	335-8643-10	CAP-L	1	19	347-7823-00	SPACER	2
5	335-8644-00	CAP-R	1	20	286-6750-70	SETPLATE	1
6	345-6333-00	RUBBER SWITCH-A	1	21	-----	Switch PWB	1
7	345-6334-00	RUBBER SWITCH-B	1	22	335-7429-01	LCD HOLDER	1
8	345-6335-00	RUBBER SWITCH-C	1	23	347-7749-00	DOT FILM	1
9	345-6336-01	RUBBER SWITCH-D	1	24	347-7750-00	FILTER	1
10	335-7583-01	CLIP	4	25	335-7430-00	COLOR FILTER	1
11	076-6000-54	PLUG	2	26	379-1423-50	LCD (INDICATOR)	1
12	347-8633-00	PROTECTOR	1	27	331-4014-00	LCD COVER	1
13	716-0778-51	WAVE SCREW(2x6)	11	28	001-7089-90	DIODE(FV1112H-740TR RED)	46
14	335-8503-00	GUIDE PIN	2	29	016-0018-31	ROTARY ENCODER	2
15	345-6332-00	GASKET	1				

ELECTRICAL PARTS LIST

BASE UNIT : Main PWB(B1) section

REF No.	PART No.	DESCRIPTION	REF No.	PART No.	DESCRIPTION	REF No.	PART No.	DESCRIPTION
ANT101	092-4000-51	ANTENNA RECEPT	C428	163-4753-55	35V 4.7uF	C541	163-1063-35	16V 10uF
BL101	880-2091K	TUNER	C429	168-1042-78	16V 0.1uF K	C550	178-4742-78	0.47uF
C101	166-1511-50	150pF CH	C430	163-4753-55	35V 4.7uF	C551	178-4742-78	0.47uF
C102	166-2201-50	22pF CH	C434	168-2232-55	0.022uF K	C552	178-4742-78	0.47uF
C103	163-1073-35	16V 100uF	C435	163-1073-15	6.3V 100uF	C553	178-4742-78	0.47uF
C104	168-1022-55	1000pF K	C437	168-4732-78	0.047uF K	C603	163-4763-35	16V 47uF
C105	163-1073-35	16V 100uF	C438	042-0423-94	10V 4.7uF	C605	163-4763-35	16V 47uF
C106	168-1022-55	1000pF K	C439	163-2263-35	16V 22uF	C608	168-1052-78	16V 1uF K
C107	168-1022-55	1000pF K	C440	168-1022-55	1000pF K	C609	163-2273-25	10V 220uF
C108	168-1022-55	1000pF K	C442	168-1042-78	16V 0.1uF K	C610	178-1042-78	0.1uF
C109	168-1022-55	1000pF K	C444	168-2232-55	0.022uF K	C611	178-1042-78	0.1uF
C110	168-1022-55	1000pF K	C445	163-4763-15	6.3V 47uF	C612	163-1063-35	16V 10uF
C111	168-1022-55	1000pF K	C446	163-1063-35	16V 10uF	C613	168-1042-78	16V 0.1uF K
C113	168-1042-78	16V 0.1uF K	C447	168-1052-78	16V 1uF K	C614	042-0416-56	10V 22uF M TAN
C114	166-1801-50	18pF CH	C449	168-3332-78	0.033uF K	C615	168-1052-78	16V 1uF K
C201	168-2212-55	220pF K	C450	168-1022-55	1000pF K	C616	163-2273-25	10V 220uF
C202	163-1063-35	16V 10uF	C451	168-1022-55	1000pF K	C617	042-0416-56	10V 22uF M TAN
C203	168-1042-78	16V 0.1uF K	C452	168-1022-55	1000pF K	C618	168-1042-78	16V 0.1uF K
C204	168-1022-55	1000pF K	C453	168-1022-55	1000pF K	C619	178-1042-78	0.1uF
C205	168-1022-55	1000pF K	C454	168-2232-55	0.022uF K	C620	168-1042-78	16V 0.1uF K
C207	166-1011-50	100pF CH	C457	168-1052-78	16V 1uF K	C621	163-1063-35	16V 10uF
C209	163-2273-25	10V 220uF	C458	168-4712-55	470pF K	C622	042-0406-93	16V 22uF TAN
C213	168-1042-78	16V 0.1uF K	C459	168-1022-55	1000pF K	C623	168-1042-78	16V 0.1uF K
C301	168-2212-55	220pF K	C460	163-1073-15	6.3V 100uF	C624	178-1042-78	0.1uF
C302	168-2212-55	220pF K	C461	168-1042-78	16V 0.1uF K	C625	163-1073-35	16V 100uF
C303	168-2212-55	220pF K	C462	163-3373-15	6.3V 330uF	C626	168-6822-55	6800pF K
C304	168-2212-55	220pF K	C464	163-2273-25	10V 220uF	C627	163-1063-35	16V 10uF
C305	168-2212-55	220pF K	C465	168-1042-78	16V 0.1uF K	C628	168-1042-78	16V 0.1uF K
C306	168-2212-55	220pF K	C466	168-1042-78	16V 0.1uF K	C633	163-4763-15	6.3V 47uF
C307	168-2212-55	220pF K	C467	168-1042-78	16V 0.1uF K	C634	042-1678-00	16V 470uF
C308	168-2212-55	220pF K	C469	168-1032-55	0.01uF K	C635	042-1678-00	16V 470uF
C309	168-1032-55	0.01uF K	C470	168-5622-55	5600pF K	C701	166-4701-50	47pF CH
C310	168-2212-55	220pF K	C471	168-5622-55	5600pF K	C702	042-1624-00	16V 4700uF
C311	168-2212-55	220pF K	C472	168-3322-55	3300pF K	C703	172-1041-11	0.1uF
C312	166-1011-50	100pF CH	C473	168-3322-55	3300pF K	C704	178-1042-78	0.1uF
C313	168-1042-78	16V 0.1uF K	C474	166-1011-50	100pF CH	C706	163-1053-65	50V 1uF
C314	168-1042-78	16V 0.1uF K	C475	166-1011-50	100pF CH	C707	168-2245-79	0.22uF Z
C315	166-1011-50	100pF CH	C476	178-2255-79	2.2uF	C708	168-2222-55	2200pF K
C317	166-1011-50	100pF CH	C477	178-2255-79	2.2uF	C709	168-2222-55	2200pF K
C318	166-1201-50	12pF CH	C478	168-1022-55	1000pF K	C710	168-2222-55	2200pF K
C319	168-2212-55	220pF K	C501	168-1022-55	1000pF K	C711	168-2222-55	2200pF K
C320	168-1042-78	16V 0.1uF K	C502	168-1022-55	1000pF K	C712	168-2222-55	2200pF K
C321	163-4763-15	6.3V 47uF	C503	168-1022-55	1000pF K	C713	168-2222-55	2200pF K
C322	166-1201-50	12pF CH	C504	168-1022-55	1000pF K	C714	168-2222-55	2200pF K
C323	168-1042-78	16V 0.1uF K	C505	178-2255-79	2.2uF	C715	168-2222-55	2200pF K
C324	178-1042-78	0.1uF	C506	178-2255-79	2.2uF	C716	168-2222-55	2200pF K
C325	166-1011-50	100pF CH	C507	178-2255-79	2.2uF	C717	168-2222-55	2200pF K
C326	166-1011-50	100pF CH	C508	178-2255-79	2.2uF	C718	168-2222-55	2200pF K
C327	166-1011-50	100pF CH	C509	168-1042-78	16V 0.1uF K	C719	168-2212-55	220pF K
C330	168-1042-78	16V 0.1uF K	C510	166-5611-50	560pF CH	C720	178-1042-78	0.1uF
C331	163-4763-15	6.3V 47uF	C511	166-5611-50	560pF CH	C721	163-1053-65	50V 1uF
C332	168-1032-55	0.01uF K	C512	166-2711-50	270pF CH	C722	166-3301-50	33pF CH
C333	168-2212-55	220pF K	C513	166-2711-50	270pF CH	C724	166-1011-50	100pF CH
C404	178-2255-79	2.2uF	C514	166-2201-50	22pF CH	C725	166-1011-50	100pF CH
C405	178-2255-79	2.2uF	C515	166-2201-50	22pF CH	C726	166-1011-50	100pF CH
C406	178-2255-79	2.2uF	C516	166-2201-50	22pF CH	C727	166-1011-50	100pF CH
C407	178-2255-79	2.2uF	C517	166-2201-50	22pF CH	C728	166-1011-50	100pF CH
C409	166-1811-50	180pF CH	C518	166-5611-50	560pF CH	C729	166-1011-50	100pF CH
C411	163-4753-55	35V 4.7uF	C519	166-5611-50	560pF CH	C905	168-1042-78	16V 0.1uF K
C412	166-1007-50	10pF CH	C520	166-2711-50	270pF CH	C906	166-1011-50	100pF CH
C413	166-1007-50	10pF CH	C521	166-2711-50	270pF CH	C907	166-1011-50	100pF CH
C416	168-1042-78	16V 0.1uF K	C522	119-0000-05	1/10W 0 ohm JW	D201	001-0580-90	1SS352
C417	168-1022-55	1000pF K	C523	119-0000-05	1/10W 0 ohm JW	D202	001-0580-90	1SS352
C418	168-1022-55	1000pF K	C524	119-0000-05	1/10W 0 ohm JW	D301	001-0529-28	MA8051-L
C419	168-1022-55	1000pF K	C525	119-0000-05	1/10W 0 ohm JW	D302	001-0580-90	1SS352
C420	168-1022-55	1000pF K	C527	163-2263-35	16V 22uF	D303	001-0580-90	1SS352
C421	168-1022-55	1000pF K	C528	163-2253-65	50V 2.2uF	D502	001-0516-90	MA111
C424	166-1011-50	100pF CH	C537	163-1073-15	6.3V 100uF	D602	001-0580-90	1SS352
C425	168-1022-55	1000pF K	C538	168-1042-78	16V 0.1uF K	D603	001-0529-47	MA8091-M
C426	168-1022-55	1000pF K	C539	168-1042-78	16V 0.1uF K	D604	001-0529-28	MA8051-L
C427	168-1042-78	16V 0.1uF K	C540	168-1042-78	16V 0.1uF K	D605	001-0580-90	1SS352

REF No.	PART No.	DESCRIPTION	REF No.	PART No.	DESCRIPTION	REF No.	PART No.	DESCRIPTION
D606	001-0516-90	MA111	L506	010-3105-62	1k ohm/100MHZ	R106	119-6821-15	1/10W 6.8k ohm
D607	001-0516-90	MA111	L507	010-3105-62	1k ohm/100MHZ	R107	119-1011-15	1/10W 100 ohm
D608	001-2614-90	1SR-154-400	L508	010-3105-62	1k ohm/100MHZ	R108	119-1011-15	1/10W 100 ohm
D610	001-0580-90	1SS352	L509	010-3105-62	1k ohm/100MHZ	R109	119-1011-15	1/10W 100 ohm
D615	001-0584-24	MA8082	L510	010-3105-62	1k ohm/100MHZ	R110	119-1011-15	1/10W 100 ohm
D617	001-2614-90	1SR-154-400	L511	010-3105-62	1k ohm/100MHZ	R111	116-5691-15	1/4W 5.6 ohm
D618	001-2614-90	1SR-154-400	L512	010-3105-62	1k ohm/100MHZ	R112	119-4731-15	1/10W 47k ohm
D622	001-2614-90	1SR-154-400	L513	010-3105-62	1k ohm/100MHZ	R201	119-1031-15	1/10W 10k ohm
D623	001-2614-90	1SR-154-400	L703	010-8026-00	210uH	R202	119-1031-15	1/10W 10k ohm
D624	001-4310-08	RLZ 20B	L704	010-3105-62	1k ohm/100MHZ	R203	119-1041-15	1/10W 100k ohm
D625	001-2614-90	1SR-154-400	L707	010-3105-62	1k ohm/100MHZ	R204	119-1011-15	1/10W 100 ohm
D626	001-0529-32	MA8056-M	L708	010-3105-62	1k ohm/100MHZ	R205	119-0000-05	1/10W 0 ohm JW
D707	001-0529-31	MA8056-L	L709	010-3105-62	1k ohm/100MHZ	R213	119-2231-15	1/10W 22k ohm
D711	001-0529-34	MA8062-L	L710	010-3105-62	1k ohm/100MHZ	R214	119-2231-15	1/10W 22k ohm
D713	001-2015-00	RL253	L711	010-3105-62	1k ohm/100MHZ	R215	119-3331-15	1/10W 33k ohm
D715	001-0580-90	1SS352	L712	010-3105-62	1k ohm/100MHZ	R242	119-1031-15	1/10W 10k ohm
D716	001-4310-08	RLZ 20B	L714	010-3105-62	1k ohm/100MHZ	R243	119-2231-15	1/10W 22k ohm
D718	001-0608-90	D1FS4	L715	010-3105-62	1k ohm/100MHZ	R301	119-1031-15	1/10W 10k ohm
D719	001-0580-90	1SS352	L716	010-3105-62	1k ohm/100MHZ	R302	119-3931-15	1/10W 39k ohm
D721	001-0580-90	1SS352	L717	010-3105-62	1k ohm/100MHZ	R303	119-4731-15	1/10W 47k ohm
D723	001-0580-90	1SS352	L718	010-3105-62	1k ohm/100MHZ	R304	116-5611-15	1/4W 560 ohm
D724	001-0529-34	MA8062-L	L719	010-3105-62	1k ohm/100MHZ	R305	119-1021-15	1/10W 1k ohm
D725	001-0516-90	MA111	P201	076-3009-64	14P	R306	119-1021-15	1/10W 1k ohm
D750	001-0516-90	MA111	P202	076-3009-64	14P	R307	119-1021-15	1/10W 1k ohm
D901	001-4902-92	HZM27FA-TL	Q201	125-2027-91	DTC114EUA	R308	119-1021-15	1/10W 1k ohm
IC101	051-6212-08	LC72191JM-TLM	Q202	192-2712-50	2SC2712 Y,G,L	R309	119-1021-15	1/10W 1k ohm
IC301	051-5440-08	S-80931CNMC-G81	Q203	198-3018-00	2SK3018	R310	119-1011-15	1/10W 100 ohm
IC302	051-9419-08	BR24L02FVM-WTR	Q204	125-2026-95	UNR521N	R311	119-1021-15	1/10W 1k ohm
		VIRGIN-TYP	Q205	198-3018-00	2SK3018	R312	119-1021-15	1/10W 1k ohm
IC303	052-0315-10	M30876FJAGP	Q206	125-2026-95	UNR521N	R313	119-1021-15	1/10W 1k ohm
		VIRGIN-TYP	Q207	125-0021-91	DTA114EUA	R314	119-4721-15	1/10W 4.7k ohm
IC401	-----	SAF7730HV/N317F	Q302	125-9003-92	IMD3	R315	119-1011-15	1/10W 100 ohm
IC501	051-3019-90	NJM2060V	Q401	125-7005-90	PHK04P02T	R316	119-4721-15	1/10W 4.7k ohm
IC502	051-2055-00	TDA8593J/N3	Q402	125-2026-91	UNR5211G	R317	119-1011-15	1/10W 100 ohm
IC602	051-3340-00	LD1085P	Q404	125-2026-91	UNR5211G	R318	119-1011-15	1/10W 100 ohm
IC603	051-3343-00	NJM2396F33	Q406	125-2026-91	UNR5211G	R319	119-1021-15	1/10W 1k ohm
IC604	051-3340-00	LD1085P	Q407	125-2026-91	UNR5211G	R320	119-4731-15	1/10W 47k ohm
IC605	051-3263-90	NJU7200U33	Q408	125-2026-91	UNR5211G	R321	119-1021-15	1/10W 1k ohm
IC606	051-3341-90	BD3931FP	Q409	125-2026-91	UNR5211G	R322	119-4731-15	1/10W 47k ohm
IC607	051-5441-08	BD4828G-TR	Q604	190-1736-00	2SA1736	R323	119-1011-15	1/10W 100 ohm
IC902	051-6647-90	TJA1050T/N1	Q605	125-2026-91	UNR5211G	R324	119-1011-15	1/10W 100 ohm
J202	074-1237-69	19P	Q606	133-1766-00	2SD1766	R325	119-4731-15	1/10W 47k ohm
J701	074-1260-00	24P	Q607	125-2026-91	UNR5211G	R326	119-4731-15	1/10W 47k ohm
J702	074-1259-00	16P	Q608	192-2712-50	2SC2712 Y,G,L	R327	119-4721-15	1/10W 4.7k ohm
L101	010-2003-04	30uH	Q609	125-0020-91	UNR5111	R328	119-4721-15	1/10W 4.7k ohm
L102	010-4044-00	27mH	Q610	192-2712-50	2SC2712 Y,G,L	R329	119-4731-15	1/10W 47k ohm
L103	010-3105-62	1k ohm/100MHZ	Q611	101-1274-00	2SB1274	R337	119-1031-15	1/10W 10k ohm
L201	010-2198-59	4.7uH	Q612	191-1197-50	2SB1197K Q,R	R338	119-1031-15	1/10W 10k ohm
L202	010-3406-66	22uH J	Q613	125-2026-91	UNR5211G	R339	119-2231-15	1/10W 22k ohm
L301	010-3406-66	22uH J	Q614	191-1204-61	2SB1204 R,S,T	R340	119-1021-15	1/10W 1k ohm
L302	010-3406-66	22uH J	Q615	192-2712-50	2SC2712 Y,G,L	R342	119-4731-15	1/10W 47k ohm
L401	010-3105-62	1k ohm/100MHZ	Q616	192-2712-50	2SC2712 Y,G,L	R344	119-4731-15	1/10W 47k ohm
L402	010-3504-90	22 uH M	Q617	191-1197-50	2SB1197K Q,R	R346	119-1021-15	1/10W 1k ohm
L403	010-3504-90	22 uH M	Q618	125-2026-91	UNR5211G	R348	119-1021-15	1/10W 1k ohm
L404	010-3105-62	1k ohm/100MHZ	Q619	191-1204-61	2SB1204 R,S,T	R351	119-4731-15	1/10W 47k ohm
L405	010-3105-62	1k ohm/100MHZ	Q620	192-2712-50	2SC2712 Y,G,L	R352	119-1021-15	1/10W 1k ohm
L406	010-3105-62	1k ohm/100MHZ	Q623	190-1736-00	2SA1736	R353	119-4731-15	1/10W 47k ohm
L407	010-3104-54	600 ohm/100MHZ	Q624	125-2026-91	UNR5211G	R354	119-1021-15	1/10W 1k ohm
L409	010-3105-62	1k ohm/100MHZ	Q625	190-1736-00	2SA1736	R357	119-1011-15	1/10W 100 ohm
L410	010-3105-62	1k ohm/100MHZ	Q628	125-2026-91	UNR5211G	R358	119-1011-15	1/10W 100 ohm
L411	010-3105-62	1k ohm/100MHZ	Q629	125-0020-93	UNR511300L	R359	119-1021-15	1/10W 1k ohm
L412	010-3105-62	1k ohm/100MHZ	Q631	193-1758-00	2SD1758TK	R360	119-1021-15	1/10W 1k ohm
L413	010-3105-62	1k ohm/100MHZ	Q701	192-2712-50	2SC2712 Y,G,L	R361	119-1031-15	1/10W 10k ohm
L414	010-3105-62	1k ohm/100MHZ	Q703	192-2712-50	2SC2712 Y,G,L	R362	119-1031-15	1/10W 10k ohm
L415	010-3105-62	1k ohm/100MHZ	Q704	192-2712-50	2SC2712 Y,G,L	R364	119-4731-15	1/10W 47k ohm
L416	010-3105-62	1k ohm/100MHZ	Q705	192-2712-50	2SC2712 Y,G,L	R366	119-4731-15	1/10W 47k ohm
L417	010-3105-62	1k ohm/100MHZ	Q706	192-2712-50	2SC2712 Y,G,L	R367	119-2231-15	1/10W 22k ohm
L418	010-3105-62	1k ohm/100MHZ	Q707	192-2712-50	2SC2712 Y,G,L	R368	119-4731-15	1/10W 47k ohm
L420	010-3105-62	1k ohm/100MHZ	Q709	192-2712-50	2SC2712 Y,G,L	R369	119-4731-15	1/10W 47k ohm
L421	010-3104-54	600 ohm/100MHZ	Q710	191-1197-50	2SB1197K Q,R	R370	119-4731-15	1/10W 47k ohm
L422	010-3105-62	1k ohm/100MHZ	R102	119-2741-15	1/10W 270k ohm	R373	119-4721-15	1/10W 4.7k ohm
L423	010-2198-51	0.22uH	R103	119-1041-15	1/10W 100k ohm	R374	119-1031-15	1/10W 10k ohm
L424	010-3105-62	1k ohm/100MHZ	R104	119-1011-15	1/10W 100 ohm	R375	119-4721-15	1/10W 4.7k ohm
L505	010-3406-66	22uH J	R105	119-6821-15	1/10W 6.8k ohm	R376	119-4721-15	1/10W 4.7k ohm

REF No.	PART No.	DESCRIPTION	REF No.	PART No.	DESCRIPTION	REF No.	PART No.	DESCRIPTION
R377	119-4731-15	1/10W 47k ohm	R519	119-1031-15	1/10W 10k ohm	R642	116-1221-15	1/4W 1.2k ohm
R378	119-1021-15	1/10W 1k ohm	R520	119-1031-15	1/10W 10k ohm	R643	119-3931-15	1/10W 39k ohm
R379	119-4731-15	1/10W 47k ohm	R521	119-0000-05	1/10W 0 ohm JW	R644	119-3931-15	1/10W 39k ohm
R401	032-0140-63	1/10W 27k ohm F	R522	119-0000-05	1/10W 0 ohm JW	R646	119-1241-15	1/10W 120k ohm
R402	032-0140-63	1/10W 27k ohm F	R523	119-1031-15	1/10W 10k ohm	R647	119-7531-15	1/10W 75k ohm
R406	032-0140-50	1/10W 10k ohm F	R524	119-1031-15	1/10W 10k ohm	R649	116-2291-15	1/4W 2.2 ohm
R407	032-0140-50	1/10W 10k ohm F	R525	119-1021-15	1/10W 1k ohm	R650	116-2291-15	1/4W 2.2 ohm
R408	032-0140-50	1/10W 10k ohm F	R528	119-4721-15	1/10W 4.7k ohm	R651	116-2291-15	1/4W 2.2 ohm
R409	032-0140-50	1/10W 10k ohm F	R529	119-4721-15	1/10W 4.7k ohm	R656	116-1221-15	1/4W 1.2k ohm
R410	119-2201-15	1/10W 22 ohm	R535	119-1011-15	1/10W 100 ohm	R657	116-4711-15	1/4W 470 ohm
R412	119-0000-05	1/10W 0 ohm JW	R536	119-1011-15	1/10W 100 ohm	R658	116-4711-15	1/4W 470 ohm
R413	119-1031-15	1/10W 10k ohm	R537	117-0000-05	1/8W 0 ohm JW	R659	119-1021-15	1/10W 1k ohm
R414	119-1021-15	1/10W 1k ohm	R538	117-0000-05	1/8W 0 ohm JW	R661	116-4791-15	1/4W 4.7 ohm
R416	119-1031-15	1/10W 10k ohm	R539	117-0000-05	1/8W 0 ohm JW	R662	116-4791-15	1/4W 4.7 ohm
R417	119-0000-05	1/10W 0 ohm JW	R540	117-0000-05	1/8W 0 ohm JW	R701	119-2231-15	1/10W 22k ohm
R418	119-1031-15	1/10W 10k ohm	R541	117-0000-05	1/8W 0 ohm JW	R702	119-2231-15	1/10W 22k ohm
R419	119-0000-05	1/10W 0 ohm JW	R542	117-0000-05	1/8W 0 ohm JW	R703	119-2231-15	1/10W 22k ohm
R420	119-0000-05	1/10W 0 ohm JW	R543	117-0000-05	1/8W 0 ohm JW	R704	119-2231-15	1/10W 22k ohm
R421	119-0000-05	1/10W 0 ohm JW	R544	117-0000-05	1/8W 0 ohm JW	R705	119-2231-15	1/10W 22k ohm
R423	119-1001-15	1/10W 10 ohm	R564	119-0000-05	1/10W 0 ohm JW	R706	119-2231-15	1/10W 22k ohm
R425	119-0000-05	1/10W 0 ohm JW	R565	119-0000-05	1/10W 0 ohm JW	R707	119-4731-15	1/10W 47k ohm
R426	032-0140-50	1/10W 10k ohm F	R566	119-0000-05	1/10W 0 ohm JW	R709	119-2231-15	1/10W 22k ohm
R427	032-0140-50	1/10W 10k ohm F	R567	119-0000-05	1/10W 0 ohm JW	R711	119-2231-15	1/10W 22k ohm
R429	032-0140-50	1/10W 10k ohm F	R589	119-0000-05	1/10W 0 ohm JW	R713	119-2231-15	1/10W 22k ohm
R430	032-0140-50	1/10W 10k ohm F	R602	119-1031-15	1/10W 10k ohm	R717	119-1041-15	1/10W 100k ohm
R431	119-1051-15	1/10W 1M ohm	R605	119-1031-15	1/10W 10k ohm	R718	116-2211-15	1/4W 220 ohm
R436	119-0000-05	1/10W 0 ohm JW	R606	116-4711-15	1/4W 470 ohm	R719	116-2211-15	1/4W 220 ohm
R440	119-1031-15	1/10W 10k ohm	R607	119-1031-15	1/10W 10k ohm	R721	119-2231-15	1/10W 22k ohm
R441	119-1031-15	1/10W 10k ohm	R608	119-3311-15	1/10W 330 ohm	R722	119-1021-15	1/10W 1k ohm
R442	119-1011-15	1/10W 100 ohm	R609	032-0140-93	1/10W 2k ohm F	R726	119-6821-15	1/10W 6.8k ohm
R443	119-1011-15	1/10W 100 ohm	R610	032-0140-98	1/10W 330 ohm F	R727	119-5611-15	1/10W 560 ohm
R446	119-1031-15	1/10W 10k ohm	R612	116-1011-15	1/4W 100 ohm	R729	116-1531-15	1/4W 15k ohm
R449	119-1031-15	1/10W 10k ohm	R613	117-1021-15	1/8W 1k ohm	R730	116-1021-15	1/4W 1k ohm
R451	119-8221-15	1/10W 8.2k ohm	R614	119-1031-15	1/10W 10k ohm	R732	116-1011-15	1/4W 100 ohm
R452	119-1011-15	1/10W 100 ohm	R615	116-1821-15	1/4W 1.8k ohm	R734	116-1021-15	1/4W 1k ohm
R453	119-1001-15	1/10W 10 ohm	R616	119-1531-15	1/10W 15k ohm	R735	119-5611-15	1/10W 560 ohm
R457	119-0000-05	1/10W 0 ohm JW	R617	116-1821-15	1/4W 1.8k ohm	R736	116-2291-15	1/4W 2.2 ohm
R460	119-0000-05	1/10W 0 ohm JW	R618	116-2291-15	1/4W 2.2 ohm	R737	119-1031-15	1/10W 10k ohm
R461	119-1531-15	1/10W 15k ohm	R619	119-1021-15	1/10W 1k ohm	R738	119-1031-15	1/10W 10k ohm
R462	119-1531-15	1/10W 15k ohm	R620	116-1821-15	1/4W 1.8k ohm	R740	119-0000-05	1/10W 0 ohm JW
R463	119-1231-15	1/10W 12k ohm	R621	119-1031-15	1/10W 10k ohm	R741	117-4721-15	1/8W 4.7k ohm
R501	119-1021-15	1/10W 1k ohm	R622	119-1031-15	1/10W 10k ohm	R750	119-1211-15	1/10W 120 ohm
R502	119-1021-15	1/10W 1k ohm	R623	116-1821-15	1/4W 1.8k ohm	R751	119-2731-15	1/10W 27k ohm
R503	119-1021-15	1/10W 1k ohm	R624	119-4721-15	1/10W 4.7k ohm	R996	119-0000-05	1/10W 0 ohm JW
R504	119-1021-15	1/10W 1k ohm	R625	119-1031-15	1/10W 10k ohm	R997	119-0000-05	1/10W 0 ohm JW
R505	119-1031-15	1/10W 10k ohm	R626	119-2221-15	1/10W 2.2k ohm	R999	119-0000-05	1/10W 0 ohm JW
R506	119-1031-15	1/10W 10k ohm	R627	119-1031-15	1/10W 10k ohm	SUP101	060-0122-91	DSP-141N-S00B
R507	119-1031-15	1/10W 10k ohm	R628	119-1031-15	1/10W 10k ohm	TC101	004-1580-10	30pF GRN
R508	119-1031-15	1/10W 10k ohm	R629	119-4731-15	1/10W 47k ohm	TH601	002-0318-20	1206L020YR
R509	119-1031-15	1/10W 10k ohm	R630	032-0140-93	1/10W 2k ohm F	TH602	002-0318-20	1206L020YR
R510	119-1031-15	1/10W 10k ohm	R631	032-0140-98	1/10W 330 ohm F	TM101	073-0762-90	TERMINAL
R511	119-0000-05	1/10W 0 ohm JW	R632	119-1031-15	1/10W 10k ohm	TM301	073-0762-90	TERMINAL
R512	119-0000-05	1/10W 0 ohm JW	R633	116-2221-15	1/4W 2.2k ohm	TM401	073-0762-90	TERMINAL
R513	119-1031-15	1/10W 10k ohm	R634	116-2221-15	1/4W 2.2k ohm	TM701	073-0762-90	TERMINAL
R514	119-1031-15	1/10W 10k ohm	R635	116-2221-15	1/4W 2.2k ohm	X101	061-3515-90	7.2MHz
R515	119-1051-15	1/10W 1M ohm	R637	119-1031-15	1/10W 10k ohm	X301	061-3541-90	10.00MHz
R516	119-1051-15	1/10W 1M ohm	R638	116-2221-15	1/4W 2.2k ohm	X401	061-3537-90	41.6MHz
R517	119-1051-15	1/10W 1M ohm	R639	119-4721-15	1/10W 4.7k ohm	PWB	039-3369-00	PWB(WITHOUT COMPONENT)
R518	119-1051-15	1/10W 1M ohm	R640	119-1031-15	1/10W 10k ohm			

PANEL : Switch PWB(B2) section

REF No.	PART No.	DESCRIPTION	REF No.	PART No.	DESCRIPTION	REF No.	PART No.	DESCRIPTION
C801	168-1032-55	0.01uF K	D837	001-7089-90	FV1112H-740TR	J901	076-6000-54	PLUG (4P)
C802	163-4763-35	16V 47uF			RED	J902	076-6000-54	PLUG (4P)
C803	168-2212-55	220pF K	D838	001-7089-90	FV1112H-740TR	LCD901	379-1423-50	INDICATOR (LCD)
C804	168-1042-78	16V 0.1uF K			RED	P801	074-3012-64	SOCKET (14P)
C805	168-1032-55	0.01uF K	D840	001-7089-90	FV1112H-740TR	P901	074-3012-64	SOCKET (14P)
C810	168-1042-78	16V 0.1uF K			RED	Q801	190-1736-00	2SA1736
C815	168-1042-78	16V 0.1uF K	D841	001-7089-90	FV1112H-740TR	Q802	192-2712-50	2SC2712 Y,G,L
C911	168-1042-78	16V 0.1uF K			RED	Q803	190-1736-00	2SA1736
C912	168-1042-78	16V 0.1uF K	D842	001-7089-90	FV1112H-740TR	Q804	125-2004-92	RN1402
C913	168-1042-78	16V 0.1uF K			RED	Q805	190-1736-00	2SA1736
C914	168-1042-78	16V 0.1uF K	D843	001-7089-90	FV1112H-740TR	Q806	125-2004-92	RN1402
C915	168-1042-78	16V 0.1uF K			RED	Q807	125-2004-92	RN1402
C916	168-4712-55	470pF K	D845	001-7089-90	FV1112H-740TR	Q808	192-2712-50	2SC2712 Y,G,L
C920	168-4722-55	4700pF K			RED	Q811	192-3265-00	2SC3265
D800	001-0529-32	MA8056-M	D846	001-7089-90	FV1112H-740TR	Q812	192-2712-50	2SC2712 Y,G,L
D801	001-7089-90	FV1112H-740TR			RED	Q813	192-3265-00	2SC3265
		RED	D851	001-7089-90	FV1112H-740TR	Q815	192-2712-50	2SC2712 Y,G,L
D802	001-7089-90	FV1112H-740TR			RED	Q816	125-9003-92	IMD3
		RED	D852	001-7089-90	FV1112H-740TR	Q818	192-2712-50	2SC2712 Y,G,L
D803	001-7089-90	FV1112H-740TR			RED	R801	119-2231-15	1/10W 22k ohm
		RED	D853	001-7089-90	FV1112H-740TR	R802	119-2231-15	1/10W 22k ohm
D804	001-7089-90	FV1112H-740TR			RED	R803	119-3331-15	1/10W 33k ohm
		RED	D854	001-7089-90	FV1112H-740TR	R804	119-3331-15	1/10W 33k ohm
D805	001-7089-90	FV1112H-740TR			RED	R805	117-6811-15	1/8W 680 ohm
		RED	D855	001-7089-90	FV1112H-740TR	R806	119-2221-15	1/10W 2.2k ohm
D806	001-7089-90	FV1112H-740TR			RED	R807	119-1031-15	1/10W 10k ohm
		RED	D856	001-7089-90	FV1112H-740TR	R808	116-3321-15	1/4W 3.3k ohm
D807	001-7089-90	FV1112H-740TR			RED	R809	119-1031-15	1/10W 10k ohm
		RED	D857	001-7089-90	FV1112H-740TR	R810	116-3321-15	1/4W 3.3k ohm
D808	001-7089-90	FV1112H-740TR			RED	R811	119-2221-15	1/10W 2.2k ohm
		RED	D858	001-7089-90	FV1112H-740TR	R812	116-3921-15	1/4W 3.9k ohm
D809	001-7089-90	FV1112H-740TR			RED	R813	116-3921-15	1/4W 3.9k ohm
		RED	D859	001-7089-90	FV1112H-740TR	R814	116-3921-15	1/4W 3.9k ohm
D810	001-7089-90	FV1112H-740TR			RED	R815	116-1821-15	1/4W 1.8k ohm
		RED	D860	001-7089-90	FV1112H-740TR	R816	119-1031-15	1/10W 10k ohm
D811	001-7089-90	FV1112H-740TR			RED	R817	116-1821-15	1/4W 1.8k ohm
		RED	D861	001-0516-90	MA111	R818	116-3321-15	1/4W 3.3k ohm
D812	001-7089-90	FV1112H-740TR	D862	001-0516-90	MA111	R819	116-1821-15	1/4W 1.8k ohm
		RED	D863	001-0516-90	MA111	R820	116-3921-15	1/4W 3.9k ohm
D813	001-7089-90	FV1112H-740TR	D864	001-0516-90	MA111	R821	116-3321-15	1/4W 3.3k ohm
		RED	D865	001-0516-90	MA111	R822	116-3921-15	1/4W 3.9k ohm
D814	001-7089-90	FV1112H-740TR	D871	001-0516-90	MA111	R823	116-1821-15	1/4W 1.8k ohm
		RED	D872	001-0516-90	MA111	R824	116-3921-15	1/4W 3.9k ohm
D817	001-7089-90	FV1112H-740TR	D873	001-0516-90	MA111	R825	116-3321-15	1/4W 3.3k ohm
		RED	D874	001-0516-90	MA111	R826	116-3921-15	1/4W 3.9k ohm
D818	001-7089-90	FV1112H-740TR	D875	001-0516-90	MA111	R827	116-1821-15	1/4W 1.8k ohm
		RED	D876	001-0516-90	MA111	R828	116-3921-15	1/4W 3.9k ohm
D819	001-7089-90	FV1112H-740TR	D877	001-0516-90	MA111	R829	116-3321-15	1/4W 3.3k ohm
		RED	D878	001-0516-90	MA111	R830	116-2721-15	1/4W 2.7k ohm
D822	001-7089-90	FV1112H-740TR	D879	001-0516-90	MA111	R831	119-1031-15	1/10W 10k ohm
		RED	D880	001-0516-90	MA111	R832	119-4721-15	1/10W 4.7k ohm
D823	001-7089-90	FV1112H-740TR	D881	001-0516-90	MA111	R834	119-4721-15	1/10W 4.7k ohm
		RED	D882	001-0516-90	MA111	R835	119-2221-15	1/10W 2.2k ohm
D825	001-7089-90	FV1112H-740TR	D883	001-0516-90	MA111	R836	116-3321-15	1/4W 3.3k ohm
		RED	D884	001-0516-90	MA111	R838	116-3921-15	1/4W 3.9k ohm
D826	001-7089-90	FV1112H-740TR	D885	001-0516-90	MA111	R839	119-1031-15	1/10W 10k ohm
		RED	D886	001-0516-90	MA111	R840	119-1031-15	1/10W 10k ohm
D827	001-7089-90	FV1112H-740TR	D887	001-0516-90	MA111	R844	116-3321-15	1/4W 3.3k ohm
		RED	D888	001-0516-90	MA111	R845	116-3921-15	1/4W 3.9k ohm
D828	001-7089-90	FV1112H-740TR	D889	001-0516-90	MA111	R848	119-1021-15	1/10W 1k ohm
		RED	D890	001-0516-90	MA111	R849	119-4731-15	1/10W 47k ohm
D829	001-7089-90	FV1112H-740TR	D891	001-0516-90	MA111	R850	119-4721-15	1/10W 4.7k ohm
		RED	D892	001-0516-90	MA111	R851	119-4721-15	1/10W 4.7k ohm
D831	001-7089-90	FV1112H-740TR	D911	001-0529-38	MA8068-M	R852	119-1041-15	1/10W 100k ohm
		RED	D912	001-0529-38	MA8068-M	R853	119-1041-15	1/10W 100k ohm
D832	001-7089-90	FV1112H-740TR	D913	001-0529-38	MA8068-M	R854	119-4731-15	1/10W 47k ohm
		RED	D914	001-0529-38	MA8068-M	R855	119-4721-15	1/10W 4.7k ohm
D833	001-7089-90	FV1112H-740TR	D915	001-0529-38	MA8068-M	R856	119-4721-15	1/10W 4.7k ohm
		RED	D916	001-0529-38	MA8068-M	R857	119-1041-15	1/10W 100k ohm
D834	001-7089-90	FV1112H-740TR	IC801	052-7077-00	MB89475PFV-G-115	R858	119-1041-15	1/10W 100k ohm
		RED	IC911	051-6081-00	LC75810T	R859	119-4731-15	1/10W 47k ohm

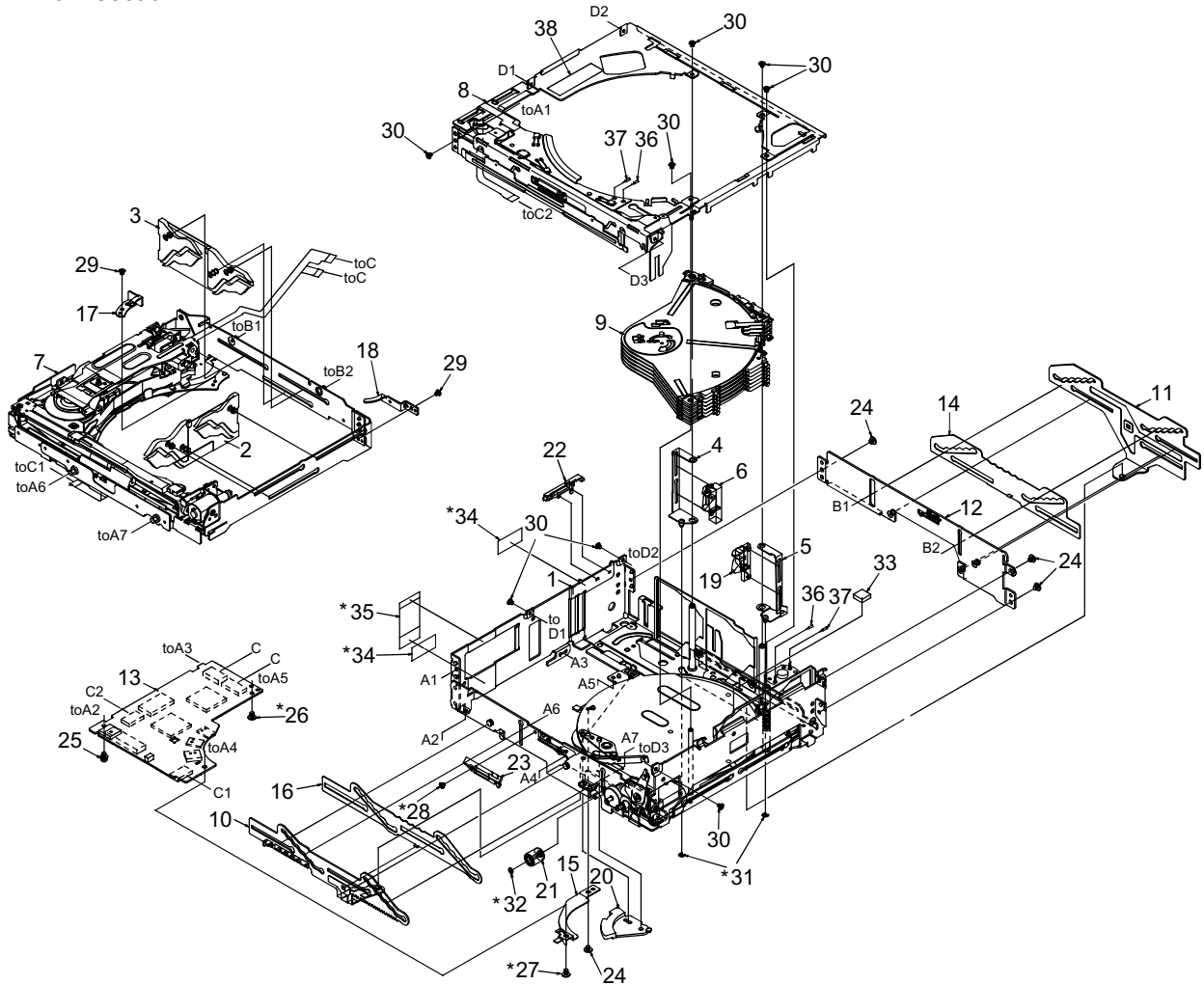
REF No.	PART No.	DESCRIPTION
R860	119-4731-15	1/10W 47k ohm
R861	119-1021-15	1/10W 1k ohm
R862	119-1021-15	1/10W 1k ohm
R863	119-4731-15	1/10W 47k ohm
R864	119-1021-15	1/10W 1k ohm
R865	119-1021-15	1/10W 1k ohm
R866	119-4731-15	1/10W 47k ohm
R867	119-4731-15	1/10W 47k ohm
R868	119-1021-15	1/10W 1k ohm
R869	119-1021-15	1/10W 1k ohm
R871	119-1031-15	1/10W 10k ohm
R872	119-1031-15	1/10W 10k ohm
R873	119-4731-15	1/10W 47k ohm
R874	119-1031-15	1/10W 10k ohm
R876	119-1031-15	1/10W 10k ohm
R877	119-1031-15	1/10W 10k ohm

REF No.	PART No.	DESCRIPTION
R880	119-4721-15	1/10W 4.7k ohm
R881	119-1031-15	1/10W 10k ohm
R883	119-4721-15	1/10W 4.7k ohm
R885	119-0000-05	1/10W 0 ohm JW
R901	119-1021-15	1/10W 1k ohm
R902	119-1021-15	1/10W 1k ohm
R903	119-1021-15	1/10W 1k ohm
R904	119-1021-15	1/10W 1k ohm
R905	119-1011-15	1/10W 100 ohm
R906	119-1011-15	1/10W 100 ohm
R907	119-4731-15	1/10W 47k ohm
R908	119-1031-15	1/10W 10k ohm
R909	119-1021-15	1/10W 1k ohm
R910	119-1021-15	1/10W 1k ohm
R911	119-1021-15	1/10W 1k ohm
R912	119-4721-15	1/10W 4.7k ohm

REF No.	PART No.	DESCRIPTION
R913	119-4721-15	1/10W 4.7k ohm
R914	119-4721-15	1/10W 4.7k ohm
R915	119-4721-15	1/10W 4.7k ohm
R916	119-1021-15	1/10W 1k ohm
TM801	073-0778-90	TERMINAL
TM807	073-0778-90	TERMINAL
TM808	073-0778-90	TERMINAL
TM809	073-0778-90	TERMINAL
VR801	016-0018-31	VR W/SHAFT
VR802	016-0018-31	VR W/SHAFT
X801	060-1537-90	CSTCE12M5G52
PWB	039-3370-00	PWB(WITHOUT COMPONENT)

EXPLODED VIEW/PARTS LIST

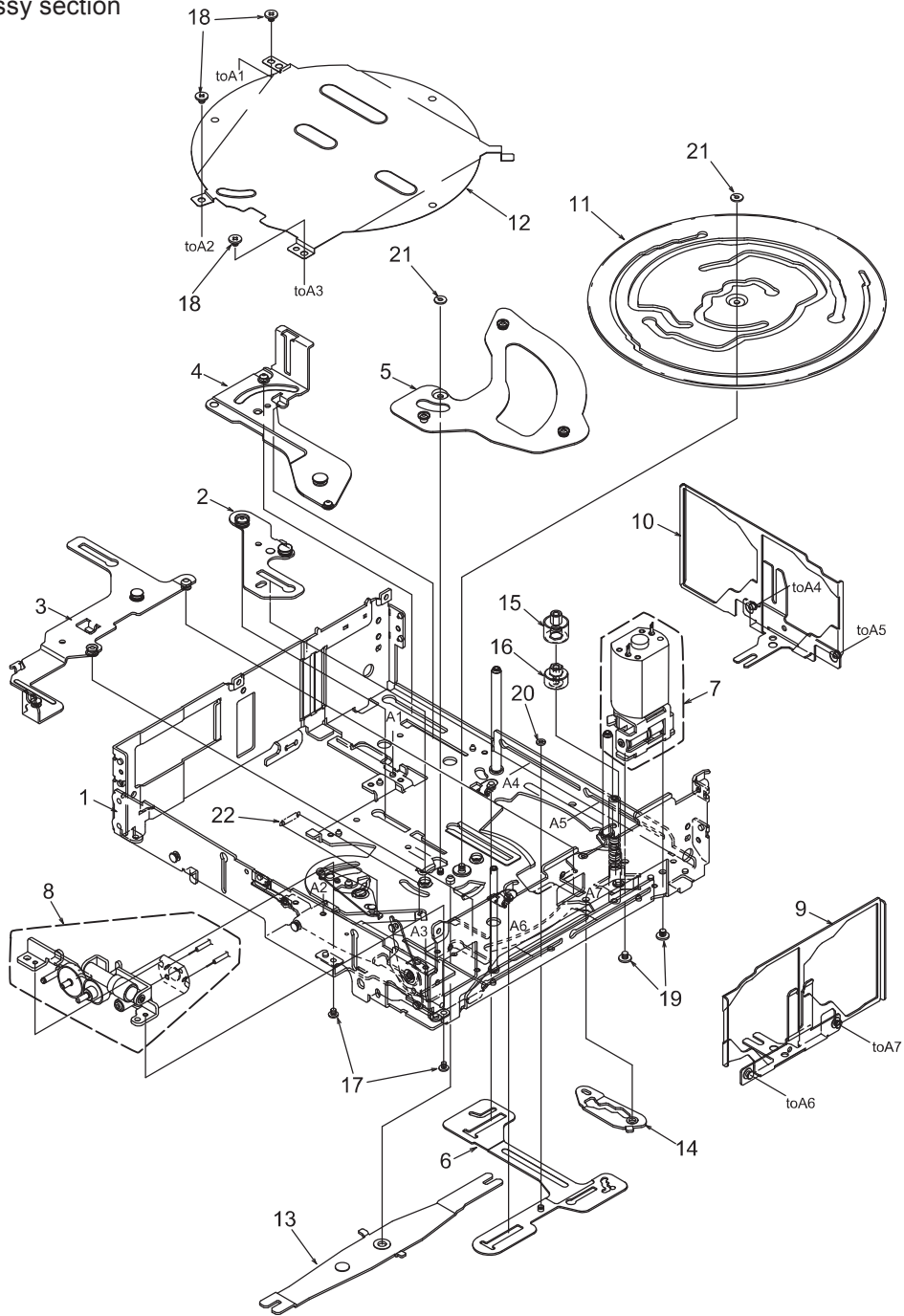
Main section



* Do not reuse the following parts.
(No.26,27,28,31,32,34,35)

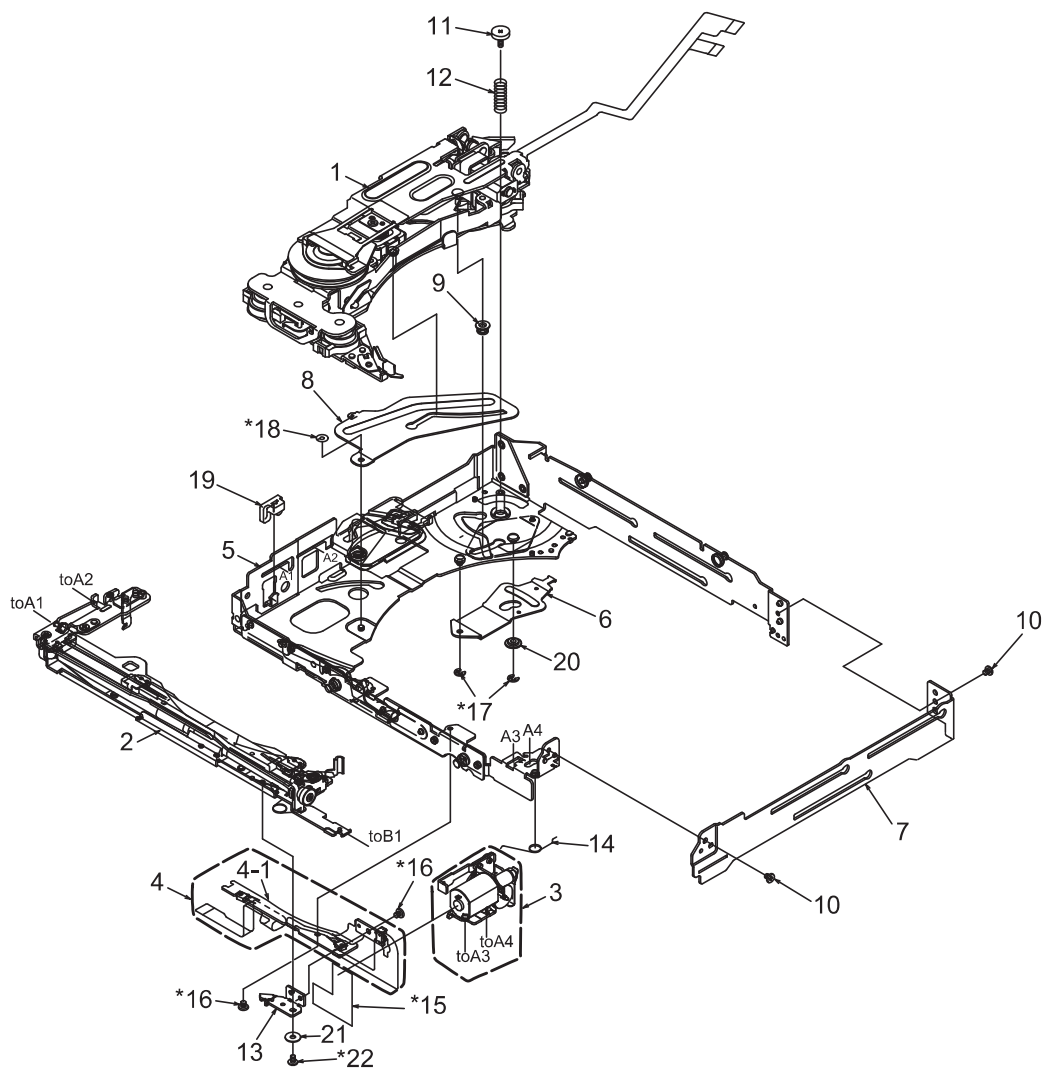
NO.	PART NO.	DESCRIPTION	Q'TY	NO.	PART NO.	DESCRIPTION	Q'TY
1	-----	LOWER UNIT ASSY	1	20	621-1812-20	SW LINK	1
2	HBS-617-100	KUSABI-ASSY-S	1	21	621-1765-20	UD-GEAR-D	1
3	HBS-618-100	KUSABI-ASSY-R	1	22	621-1715-20	FPC-STOPPER	1
4	966-1846-20	DS-SP-ASSY L	1	23	621-1736-20	UD-GEAR-B	1
5	966-1847-21	DS-SP ASSY R	1	24	716-1850-01	SCREW(M2.0x2)	4
6	966-0667-21	DISC STP-ASSY L	1	25	716-3598-00	SCREW(M2.0x4)	1
7	966-1844-21	DRIVE-CH UNIT	1	26	716-3599-00	SCREW(M2.0x2 sealock)	1
8	966-1840-22	UPPER UNIT ASSY	1	27	716-3600-00	SCREW(M2.0x3 sealock)	1
9	HBS-602-100	DISCHOLDER UNIT	1	28	716-3601-00	SCREW(M1.7x2 sealock)	1
10	966-1771-21	SLIDE-P-ASSY	1	29	716-3450-00	SCREW(M1.7x2.0)	2
11	966-1814-21	SLIDE-P-ASSY-R	1	30	716-3451-01	SCREW(M1.7x2.5)	8
12	966-1874-20	REAR-P-ASSY R	1	31	744-0045-01	C-RING	2
13	HBS-631-100	CD PWB ASSY	1	32	746-0761-00	WASHER	1
14	620-1662-21	GAP PLATE R	1	33	345-5824-00	RUBBER PART	1
15	620-1640-20	SW-H-PLATE	1	34	347-8230-00	PROTECT SHEET	2
16	620-1778-21	GAP PLATE F	1	35	347-8219-00	FPC-SHEET N	1
17	620-1685-21	DS-PLATE L	1	36	800-4921-60	VINYL-COAT-WIRE	1
18	620-1686-20	DS-PLATE R	1	37	802-4921-60	VINYL-COAT-WIRE	1
19	621-1815-20	DISC STOPPER R	1	38	293-8575-00	MECH LABEL	1

Lower unit assy section



NO.	PART NO.	DESCRIPTION	Q'TY	NO.	PART NO.	DESCRIPTION	Q'TY
1	966-1834-24	LOWER-C-ASSY	1	12	620-1624-24	GEAR COVER	1
2	966-0658-22	DH-SP-ASSY	1	13	620-1848-21	UD LINK	1
3	966-1836-20	TATSU-P-ASSY	1	14	620-1847-91	DS-SHIFT LINK	1
4	966-1832-20	D-SHT PL-B-ASSY	1	15	621-1811-21	M-GEAR B	1
5	966-0659-22	DH-SP-ASSY B	1	16	621-0733-20	M-GEAR C	1
6	966-1835-92	DS-SP-ASSY	1	17	716-3451-01	SCREW(M1.7x2.5)	2
7	HBS-622-100	M-MTR SUB ASSY	1	18	716-1850-01	SCREW(M2.0x2.0)	3
8	HBS-616-100	UD-MOTOR-ASSY	1	19	716-1851-03	SCREW(M2.0x3.0)	2
9	966-1872-20	INITIAL ASSY S	1	20	746-0870-00	WASHER	1
10	966-1873-20	INITIAL ASSY R	1	21	746-0768-00	WASHER	2
11	620-1623-24	CAM GEAR	1	22	750-6756-21	SW-L-SPRING	1

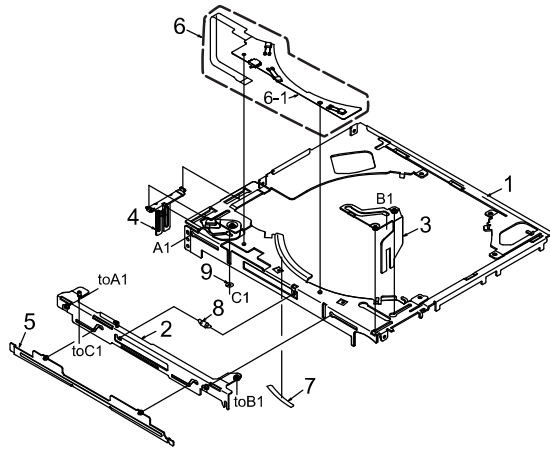
Drive-CH unit section



* Do not reuse the following parts.
(No.15,16,17,18,22)

NO.	PART NO.	DESCRIPTION	Q'TY	NO.	PART NO.	DESCRIPTION	Q'TY
1	HBS-620-100	DRIVE UNIT	1	12	750-6852-20	DRIVE SPRING A	1
2	HBS-612-100	LOADING-U-ASSY	1	13	620-1831-21	S-PWB PLATE	1
3	HBS-615-100	LO-MOTOR-S-ASSY	1	14	750-6754-20	LO-ES-SPRING B	1
4	HBS-614-100	L-SEN-FPC-ASSY	1	15	345-5424-01	SEN-FPC GUIDE	1
4-1	-----	SENSOR-L-FPC	1	16	716-3601-00	SCREW(M1.7x2 sealock)	2
5	966-1828-22	DRIVE-CH A-ASSY	1	17	743-1500-1B	E-RING	2
6	620-1838-21	D-SHIFT LINK A	1	18	746-0870-00	WASHER	1
7	620-1837-20	DRIVE CHASSIS B	1	19	621-1807-00	RUBBER PART	1
8	620-1836-20	DR-SUPPORT-PL	1	20	622-1850-20	D-SHIFT ROLLERE	1
9	622-1743-21	D-SHIFT ROLLERB	1	21	347-8392-00	FPC WASHER	1
10	716-3450-00	SCREW(M1.7x2)	2	22	716-3451-02	SCREW(M1.7x2.5 sealock)	1
11	716-3603-00	SCREW(M1.7x5)	1				

Upper unit assy section



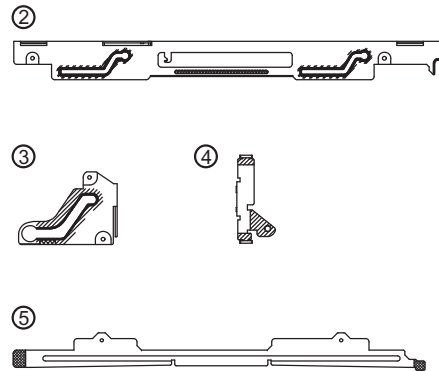
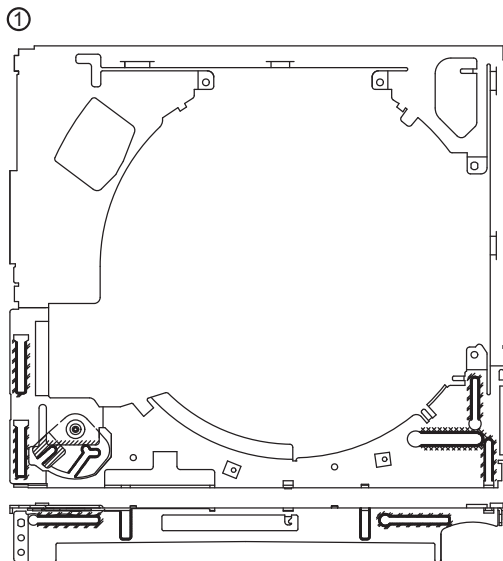
* Do not reuse the following parts.
(No.6,7,9)

NO.	PART NO.	DESCRIPTION	QTY
1	966-1823-21	UPPER-CHA-ASSY	1
2	966-1824-20	LO-SHIFT A ASSY	1
3	966-1791-20	LO-SHIFT B ASSY	1
4	966-1825-20	LO-SHIFT C ASSY	1
5	966-1826-20	SHUTTER ASSY	1
6	HBS-613-100	U-SEN-FPC-ASSY	1
6-1	-----	SENSOR-U-FPC	1
7	347-8216-00	RATTLE SHEET	1
8	750-6850-20	SHUTTER SPRING	1
9	746-0870-00	WASHER	1

[Grease Point]

* Grease : SANKOL FG-87HSR

	Put grease on the surface	
	Put grease on the reverse side	
	Put grease on the both sides	
	Put grease on the edge	



ELECTRICAL PARTS LIST

CD PWB(BM1) section

REF No.	PART No.	DESCRIPTION	REF No.	PART No.	DESCRIPTION	REF No.	PART No.	DESCRIPTION
C1	168-1052-78	16V 1uF	C13	168-1052-78	16V 1uF	C22	168-1052-78	16V 1uF
C3	168-1042-78	16V 0.1uF	C14	168-1042-78	16V 0.1uF	C25	168-4732-78	0.047uF K
C4	043-0559-90	6.3V 22uF	C15	168-1052-78	16V 1uF	C26	166-4711-50	470pF CH
C5	168-1032-55	0.01uF K	C16	043-0559-90	6.3V 22uF	C27	168-1052-78	16V 1uF
C6	042-1702-90	6.3V 100uF	C17	168-1032-55	0.01uF K	C28	168-4732-78	0.047uF K
C7	168-1052-78	16V 1uF	C18	168-1052-78	16V 1uF	C29	166-4711-50	470pF CH
C9	168-1052-78	16V 1uF	C19	043-0559-90	6.3V 22uF	C30	166-1007-50	10pF CH
C11	168-1052-78	16V 1uF	C20	168-1042-78	16V 0.1uF	C31	166-1007-50	10pF CH
C12	042-0671-01	10V 47uF TA	C21	168-1032-55	0.01uF K	C32	168-1042-78	16V 0.1uF

Note) Several different parts of the same reference number are alternative parts.
One of those parts is used in the set.

REF No.	PART No.	DESCRIPTION	REF No.	PART No.	DESCRIPTION	REF No.	PART No.	DESCRIPTION
C33	168-2222-55	2200pF K	IC3	051-6733-00	TC94A73MFG-201	R30	119-4701-15	1/10W 47 ohm
C34	168-1042-78	16V 0.1uF	IC4	051-6060-08	BD7961FM-E2	R31	119-2201-15	1/10W 22 ohm
C35	168-1042-78	16V 0.1uF	IC5	051-5452-90	BD5235G	R32	119-1051-15	1/10W 1M ohm
C36	168-1042-78	16V 0.1uF	IC8	051-9402-78	BR93L56RFVM-W	R33	119-2211-15	1/10W 220 ohm
C37	168-6822-55	6800pF K	IC9	051-6072-08	BD7931FE2	R34	119-4731-15	1/10W 47k ohm
C39	168-1042-78	16V 0.1uF	IC10	051-5833-00	GP1S093HCZ	R35	119-1051-15	1/10W 1M ohm
C40	168-3332-78	0.033uF K	IC11	051-3392-90	S-1323B15NB-N8ATFG	R36	119-4721-15	1/10W 4.7k ohm
C41	168-1042-78	16V 0.1uF				R37	119-4731-15	1/10W 47k ohm
C42	168-1042-78	16V 0.1uF	J1	074-1237-69	SOCKET 19P	R38	119-2231-15	1/10W 22k ohm
C43	168-1042-78	16V 0.1uF	J2	074-1201-65	SOCKET 15P	R39	119-1041-15	1/10W 100k ohm
C45	168-1042-78	16V 0.1uF	J3	074-1138-56	SOCKET 6P	R40	119-4721-15	1/10W 4.7k ohm
C46	168-1042-78	16V 0.1uF	J4	074-1100-61	SOCKET 11P	R41	119-4731-15	1/10W 47k ohm
C48	168-1042-78	16V 0.1uF	J5	074-1201-61	SOCKET 11P	R42	032-0140-16	1/10W 180k ohm F
C49	168-1042-78	16V 0.1uF	Q1	060-0252-01	PT4850F	R43	119-4731-15	1/10W 47k ohm
C50	168-1042-78	16V 0.1uF	Q2	125-0021-91	DTA114EUA	R44	119-2201-15	1/10W 22 ohm
C51	168-1042-78	16V 0.1uF	Q3	198-3018-00	2SK3018	R45	119-1511-15	1/10W 150 ohm
C52	168-5622-55	5600pF K	Q4	190-2060-00	2SA2060	R46	119-4721-15	1/10W 4.7k ohm
C53	168-1042-78	16V 0.1uF	Q8	190-2060-00	2SA2060	R47	032-0140-96	1/10W 120k ohm F
C54	166-6801-50	68pF CH	Q9	125-9026-90	IMF29	R48	119-1041-15	1/10W 100k ohm
C55	168-1532-55	0.015uF K	Q10	125-2027-91	DTC114EUA	R50	119-2211-15	1/10W 220 ohm
C56	168-1042-78	16V 0.1uF	Q11	125-0021-91	DTA114EUA	R51	119-0000-05	1/10W 0 ohm JW
C57	168-1032-55	0.01uF K	Q12	125-2027-91	DTC114EUA	R52	119-1041-15	1/10W 100k ohm
C58	168-1042-78	16V 0.1uF	Q13	125-9026-90	IMF29	R53	119-5621-15	1/10W 5.6k ohm
C59	168-1042-78	16V 0.1uF	R1	119-6811-15	1/10W 680 ohm	R55	119-3341-15	1/10W 330k ohm
C60	168-1522-55	1500pF K	R2	119-6811-15	1/10W 680 ohm	R56	119-4731-15	1/10W 47k ohm
C61	168-3322-55	3300pF K	R3	032-0163-91	1/2W 10 ohm	R57	119-2231-15	1/10W 22k ohm
C62	168-1032-55	0.01uF K	R4	032-0163-91	1/2W 10 ohm	R58	119-2211-15	1/10W 220 ohm
C64	168-1042-78	16V 0.1uF	R5	119-2231-15	1/10W 22k ohm	R59	119-1511-15	1/10W 150 ohm
C65	168-1032-55	0.01uF K	R6	116-1001-15	1/4W 10 ohm	R60	119-4731-15	1/10W 47k ohm
C67	168-1032-55	0.01uF K	R7	119-1021-15	1/10W 1k ohm	R61	119-1041-15	1/10W 100k ohm
C69	168-1532-55	0.015uF K	R8	116-1591-15	1/4W 1.5 ohm	R62	119-1041-15	1/10W 100k ohm
C70	166-4701-50	47pF CH	R9	119-2231-15	1/10W 22k ohm	R63	119-1041-15	1/10W 100k ohm
C71	168-1042-78	16V 0.1uF	R10	119-4711-15	1/10W 470 ohm	R64	119-1011-15	1/10W 100 ohm
C72	168-1042-78	16V 0.1uF	R11	119-2211-15	1/10W 220 ohm	R65	119-1041-15	1/10W 100k ohm
C74	166-6097-50	6pF CH	R12	119-6811-15	1/10W 680 ohm	R66	117-5611-15	1/8W 560 ohm
C75	168-1042-78	16V 0.1uF	R13	119-1011-15	1/10W 100 ohm	R67	116-3311-15	1/4W 330 ohm
C76	168-5622-55	5600pF K	R14	119-2231-15	1/10W 22k ohm	R68	116-3311-15	1/4W 330 ohm
C77	168-1032-55	0.01uF K	R15	119-8231-15	1/10W 82k ohm	R81	116-1591-15	1/4W 1.5 ohm
C101	043-0563-90	16V 47uF	R16	119-1041-15	1/10W 100k ohm	R101	119-0000-05	1/10W 0 ohm JW
CCT1	050-0145-59	1/16W 22 ohm x4	R17	119-1041-15	1/10W 100k ohm	R102	119-0000-05	1/10W 0 ohm JW
CCT2	050-0145-54	1/16W 47k ohm x4	R18	119-1041-15	1/10W 100k ohm	R103	119-0000-05	1/10W 0 ohm JW
CCT3	050-0145-54	1/16W 47k ohm x4	R19	119-1041-15	1/10W 100k ohm	R201	119-0000-05	1/10W 0 ohm JW
CCT4	050-0145-55	1/16W 10k ohm x4	R20	119-1041-15	1/10W 100k ohm	R212	119-1041-15	1/10W 100k ohm
CCT5	050-0140-55	1/32W 2.2k ohmx4J	R21	119-2221-15	1/10W 2.2k ohm	S1	013-7416-50	SW SPVL110200
D1	001-4301-14	HZU 3.0B1	R22	119-4711-15	1/10W 470 ohm	S2	013-7416-50	SW SPVL110200
D1	001-0529-14	MA8030-L	R23	119-1051-15	1/10W 1M ohm	S3	013-7412-50	SPVG21
D2	001-0367-91	1SS226	R24	119-2211-15	1/10W 220 ohm	S4	013-7415-50	SPVG110400
D3	001-4301-13	HZU 2.7B2	R25	119-2211-15	1/10W 220 ohm	X1	061-3534-90	16.92MHz
D3	001-0529-13	MA8029-H	R26	119-1041-15	1/10W 100k ohm	X3	060-1545-90	20MHz
D4	001-4301-18	HZU 3.6B1	R27	119-1051-15	1/10W 1M ohm	PWB	039-3058-20	PWB(WITHOUT COMPONENT)
D4	001-0529-18	MA8036-L	R28	119-1041-15	1/10W 100k ohm			
IC2	052-5077-01	TMP91CY22IFG	R29	119-1041-15	1/10W 100k ohm			

Sensor-L-PFC(BM2) section

REF No.	PART No.	DESCRIPTION
PT1	060-0252-01	PT14850F
PT2	060-0252-01	PT14850F
PT3	051-5833-00	GP1S093HCZ

REF No.	PART No.	DESCRIPTION
PWB	039-3003-20	PWB(WITHOUT COMPONENTS)

Sensor-U-PFC(BM3) section

REF No.	PART No.	DESCRIPTION
LED1	001-7077-00	GL4804
LED2	001-7042-00	GL4800
LED3	001-7042-00	GL4800

REF No.	PART No.	DESCRIPTION
S5	013-7417-50	ABC1122P161
PWB	039-3004-20	PWB(WITHOUT COMPONENTS)