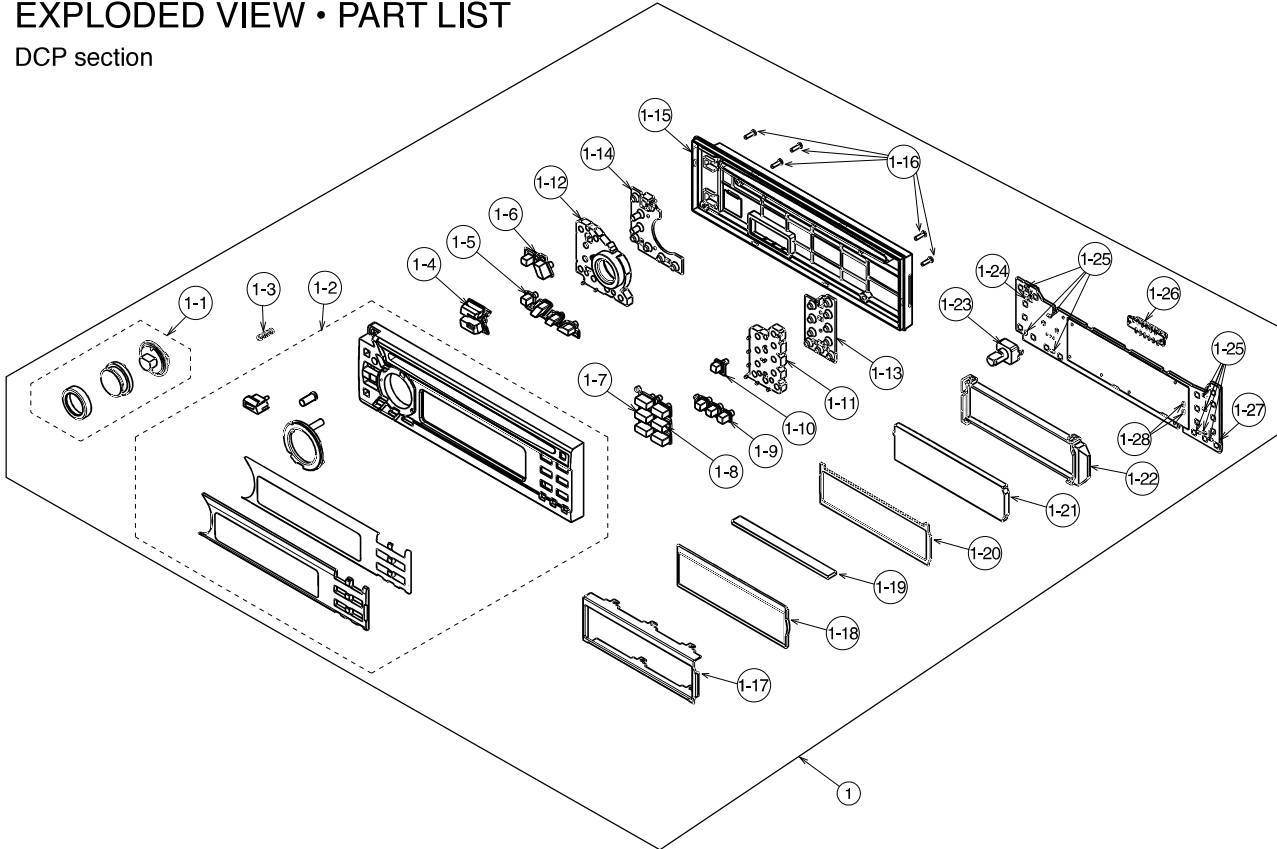


PIN No.	PIN NAME	I/O	DESCRIPTION
109	VDDI	PWR	Digital Power for Internal Core (1.8V)
41	VDDI	PWR	Digital Power for Internal Core (1.8V)
24	VDDI	PWR	Digital Power for Internal Core (1.8V)
7	VDDI	PWR	Digital Power for Internal Core (1.8V)
87	VDDI_ADC	PWR	Digital Power for ADC (1.8V)
81	VDDA_ADC	PWR	Analog Power for ADC (3.3V)
77	VDDA_PLL	PWR	Analog & Digital Power for PLL (1.8V)
97	VSSIO	GND	Digital Ground for I/O
65	VSSIO	GND	Digital Ground for I/O
45	VSSIO	GND	Digital Ground for I/O
32	VSSIO	GND	Digital Ground for I/O

PIN No.	PIN NAME	I/O	DESCRIPTION
1	VSSIO	GND	Digital Ground for I/O
120	VSSI	GND	Digital Ground for Internal
110	VSSI	GND	Digital Ground for Internal
55	VSSI	GND	Digital Ground for Internal
25	VSSI	GND	Digital Ground for Internal
8	VSSI	GND	Digital Ground for Internal
88	VSSI_ADC	GND	Digital Ground for ADC
86	VBBA_ADC	GND	Analog Ground for ADC
85	VSSA_ADC	GND	Analog Ground for ADC
80	VBBA_PLL	GND	Analog Ground for PLL
79	VSSA_PLL	GND	Analog Ground for PLL

EXPLODED VIEW • PART LIST

DCP section

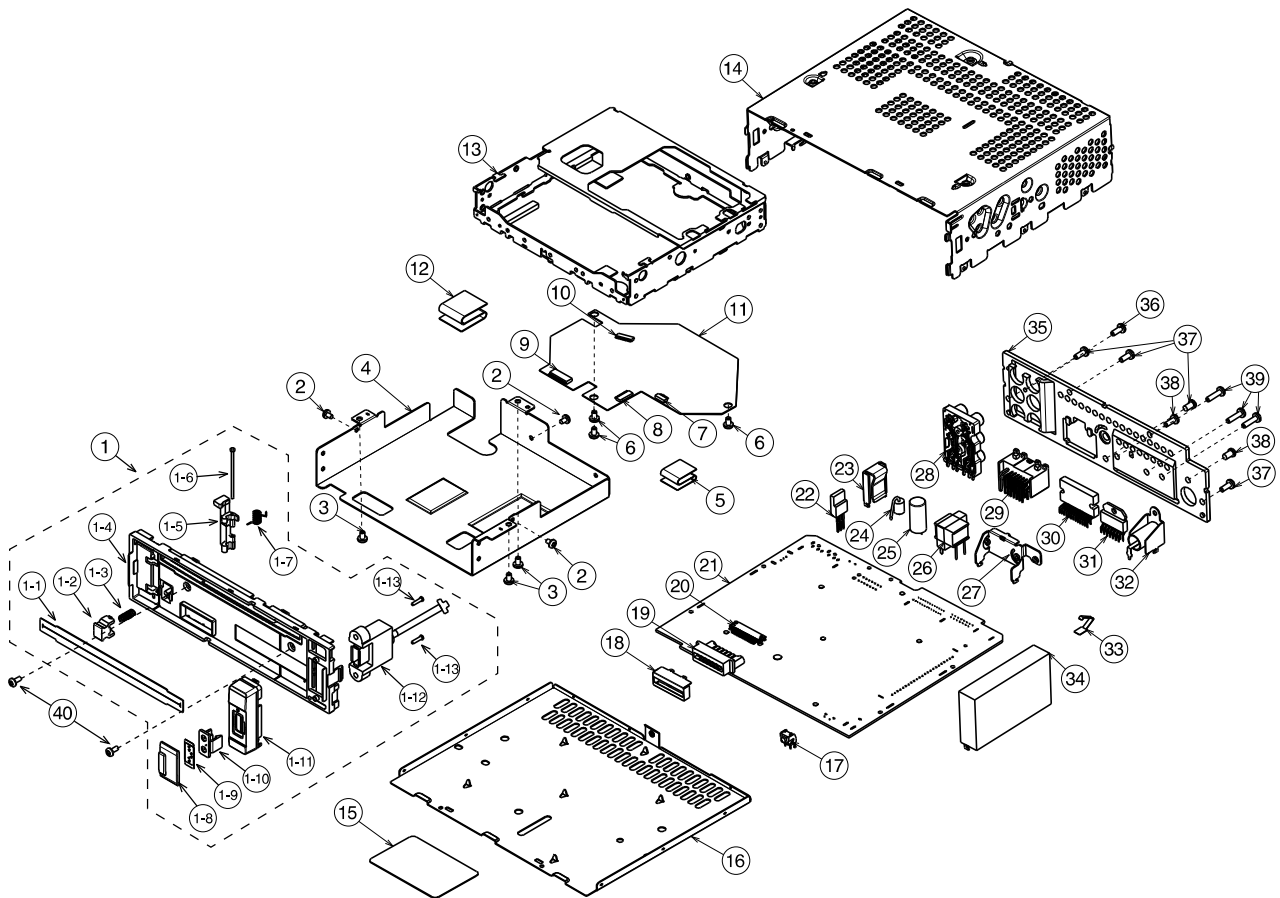


Note:- Several different parts of the same reference number are alternative parts. One of those parts is used in the set.

No.	PART No.	DESCRIPTION	Q'TY
1	DCP-578-600	DCP-ASSY (PE-2872B-A)	1
	DCP-581-800	DCP-ASSY (PE-2888K-A)	1
1-1	947-0676-00	VOL-KNOB-ASSY	1
1-2	947-0677-00	ESC-SUB-ASSY (PE-2872B-A)	1
	947-0677-20	ESC-SUB-ASSY (PE-2888K-A)	1
1-3	750-6742-00	SPRING	1
1-4	382-8119-00	BUTTON SEARCH	1
1-5	382-8114-00	BUTTON FUNC B	1
1-6	382-8113-00	BUTTON FUNC A	1
1-7	382-8117-00	BUTTON PRE 135	1
1-8	382-8118-00	BUTTON PRE 246	1
1-9	382-8116-00	BUTTON D/Z/T	1
1-10	382-8115-00	BUTTON EJECT	1
1-11	335-7922-00	ILLUMI (R)	1
1-12	335-7921-00	ILLUMI (L)	1
1-13	345-5951-00	RUBBER KEYPAD (R)	1

No.	PART No.	DESCRIPTION	Q'TY
1-14	345-5950-00	RUBBER KEYPAD (L)	1
1-15	335-7920-00	REAR COVER	1
1-16	716-0872-11	SP SCREW (M1.7x6)	5
1-17	331-4351-00	LCD COVER	1
1-18	379-5016-00	INDICATOR (LCD)	1
1-19	345-5952-00	ZEBRA CONNECTOR	1
1-20	347-8086-00	SHADE	1
1-21	335-7925-00	LCD ILLUMI	1
1-22	335-7926-00	LCD HOLDER	1
1-23	016-9900-84	VR/W SHAFT	1
1-24	060-4017-90	IR RECEIVER	1
1-25	001-7819-90	DIODE	8
1-26	076-0703-12	PLUG	1
1-27	-----	SWITCH PWB	1
1-28	001-7820-90	LED	2

Main section

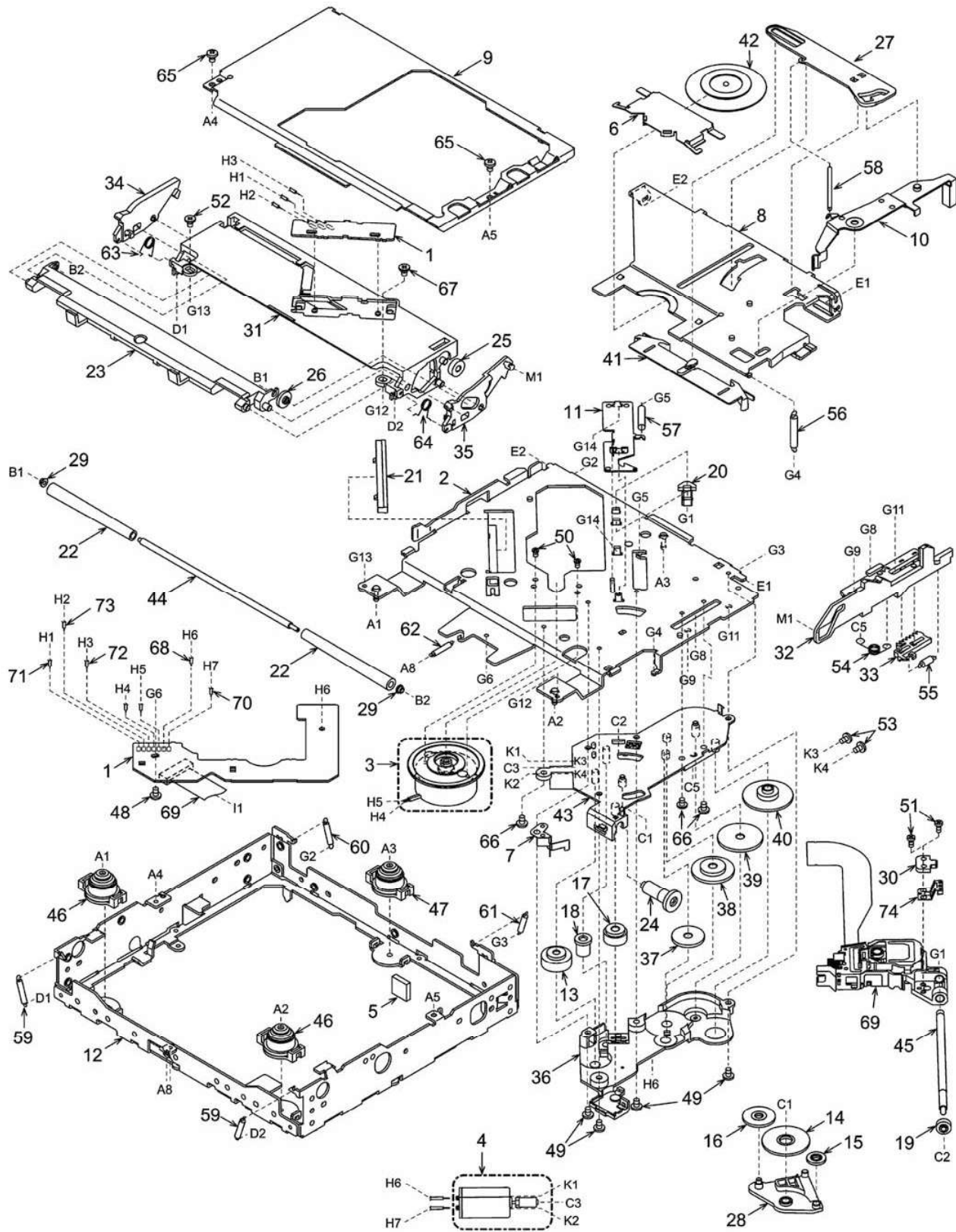


No.	PART No.	DESCRIPTION	Q'TY
1	947-0688-00	INNER-SUB-ASSY	1
1-1	346-0097-00	LEATHER SHEET	1
1-2	382-8120-00	BUTTON P_UP	1
1-3	750-6823-00	P_UP SPRING	1
1-4	370-6251-00	INNER ESC	1
1-5	335-5915-20	HOOK	1
1-6	341-1627-20	SHAFT	1
1-7	750-6824-00	HOOK SPRING	1
1-8	335-7928-00	USB COVER	1
1-9	347-8124-00	DOUBLE TAPE	1
1-10	345-5953-00	USB RUBBER	1
1-11	335-7927-00	USB SLOT	1
1-12	855-0591-00	USB CABLE	1
1-13	716-3576-00	SPECIAL SCREW (M2.6x8)	2
2	714-2604-8B	MC SCREW (M2.6x4)	3
3	731-3005-8B	TAPTIGHT (M3x5)	3
4	331-4363-00	MECH BRKT	1
5	816-4033-60	FLAT WIRE	1
6	714-2004-8B	MACHINE SCREW (M2x4)	3
7	074-4022-05	OUTLET SOCKET 5P	1
8	074-1138-60	FPC CONN 10P	1
9	074-1237-70	FPC CONN 20P	1
10	074-1138-66	FPC CONN 15P	1
11	-----	SUB BOARD PWB	1
12	816-4032-60	FLAT WIRE	1
13	929-5003-80	CD MECHA MODULE	1
14	310-1850-00	UPPER CASE	1

No.	PART No.	DESCRIPTION	Q'TY
15	276-0080-00	SETPLATE (PE-2872B-A)	1
	276-0084-00	SETPLATE (PE-2888K-A)	1
16	311-1848-03	LOWER CASE	1
17	013-3932-01	SWITCH	1
18	331-3630-00	CONNECTOR COVER	1
19	074-1316-12	OUTLET SOCKET	1
20	074-1237-70	FPC CONN 20P	1
21	-----	MAIN PWB	1
22	051-3379-00	IC	1
23	313-2002-00	IC HEAT SINK	1
24	001-0592-61	DIODE	1
25	042-1545-00	E-CAP	1
26	009-9006-60	CHOKE	1
27	331-3996-00	IC HOLDER	1
28	075-9014-00	RCA JACK	1
29	074-1214-00	OUTLET SOCKET	1
30	051-2057-00	POWER IC	1
31	051-3349-00	IC	1
32	092-4000-51	ANT-RECEPT	1
33	331-1816-21	EARTH PLATE	1
34	880-2090R	TUNER	1
35	313-2001-00	HEAT SINK	1
36	716-3576-00	SPECIAL SCREW (M2.6x8)	1
37	731-3008-80	TAPTIGHT (M3x8)	4
38	714-3006-8B	MACHINE SCREW (M3x6)	2
39	731-3012-80	TAPTIGHT (M3x12)	3
40	714-2606-8H	MACHINE SCREW (M2.6X6)	2

EXPLODED VIEW • PARTS LIST

CD mechanism section 929-5003-80



No.	PART No.	DESCRIPTION	Q'TY
1	-----	SENSOR PWB	1
2	966-1743-21	DRIVE-PLT-ASSY	1
3	SMA-182-100	SPINDLE MOTOR-ASSY	1
4	SMA-183-100	SLED MOTOR-ASSY	1
5	345-5476-20	CUSHION RUBBER	1
6	620-1023-23	CLAMPER PLATE	1
7	620-1026-21	SPRING PLATE	1
8	620-1596-23	CLAMPER LINK	1
9	620-1598-22	UPPER CHASSIS	1
10	620-1752-20	SENSOR ARM	1
11	620-1753-20	ID-LOCK PLATE	1
12	620-1748-21	LOWER CHASSIS	1
13	621-0608-21	SECOND GEAR	1
14	621-0609-20	BASE GEAR	1
15	621-0610-20	IDLE GEAR A	1
16	621-0611-20	IDLE GEAR B	1
17	621-0612-21	ROLLER GEAR A	1
18	621-0620-20	THREAD GEAR A	1
19	621-0621-20	THREAD GEAR B	1
20	621-0623-23	LS-HOLDER	1
21	621-0624-22	GUIDE RAIL	1
22	621-0711-20	LOADING ROLLER	2
23	621-0718-21	ROLLER GUIDE	1
24	621-0719-20	ROLLER GEAR	1
25	621-0720-20	ROLLER GEAR C	1
26	621-0721-20	ROLLER GEAR D	1
27	621-0728-20	STOPPER LINK	1
28	621-1719-20	IDLE CASE	1
29	621-1726-20	ROLLER SLEEVE	2
30	621-1729-20	SH-BASE	1
31	621-1742-20	UPPER GUIDE	1
32	621-1743-20	SHIFT LEVER	1
33	621-1744-20	RACK	1
34	621-1745-20	LOCK ARM L	1
35	621-1746-20	LOCK ARM R	1
36	621-1747-20	GEAR COVER	1
37	621-1748-20	POWER GEAR A	1

No.	PART No.	DESCRIPTION	Q'TY
38	621-1749-20	POWER GEAR B	1
39	621-1750-20	POWER GEAR C	1
40	621-1751-20	POWER GEAR D	1
41	621-1752-20	DISC STOPPER	1
42	621-1753-20	CLAMPER RING	1
43	621-1754-20	GEAR BASE	1
44	622-1571-21	ROLLER SHAFT	1
45	624-0020-00	LEAD SCREW	1
46	629-0086-20	DAMPER F	2
47	629-0087-20	DAMPER R	1
48	716-1507-01	SCREW (M2x3)	1
49	716-1670-01	SCREW (M2x4)	4
50	716-1733-01	SCREW (M1.7x2.3)	2
51	716-3469-01	SCREW (1.7x4)	2
52	716-3473-01	SCREW (M2X3)	1
53	716-3551-00	SCREW (M1.4X2.5)	2
54	750-3467-21	SHIFT SPRING	1
55	750-3468-20	RACK SPRING	1
56	750-3469-20	CLAMPER SPRING	1
57	750-3470-20	ID-LOCK SPRING	1
58	750-3471-20	SENSOR SPRING	1
59	750-3472-21	DR-SPRING F	2
60	750-3473-20	DR-SPRING RA	1
61	750-3474-20	DR-SPRING RB	1
62	750-3475-21	DR-SPRING C	1
63	750-6797-20	ROLLER SPRING L	1
64	750-6798-20	ROLLER SPRING R	1
65	780-2003-01	SCREW (M2x3)	2
66	780-2025-00	SCREW (M2x2.5)	3
67	781-1730-00	SCREW (M1.7x3)	1
68	803-4906-60	VINYL-COAT-WIRE (ORG)	1
69	969-0071-30	PICKUP-ASSY	1
70	816-2590-00	SPECIAL LEAD (GRN)	1
71	816-2591-00	SPECIAL LEAD (YEL)	1
72	816-2592-00	SPECIAL LEAD (BLUE)	1
73	816-2593-00	SPECIAL LEAD (PUR)	1
74	966-1722-20	SH-RACK-ASSY	1

ELECTRICAL PARTS LIST

Note:- Several different parts of the same reference number are alternative parts.
One of those parts is used in the set.

Main PWB (B1) section

Remarks:- #: For PE-2872B-A only @: For PE-2888K-A only

REF No.	PART No.	DESCRIPTION	REF No.	PART No.	DESCRIPTION	REF No.	PART No.	DESCRIPTION
ANT101	092-4000-51	ANT-RECEP	C517	168-2722-55	50V 2700pF	C907	168-1045-56	50V 0.1uF
BL101	880-2090R	TUNER	C521	042-1723-90	10V 100uF	C908	163-1053-65	50V 1uF
C101	166-2201-50	50V 22pF	C531	042-1729-90	16V 1uF	C909	168-1045-56	50V 0.1uF
C102	166-2201-50	50V 22pF	C532	042-1729-90	16V 1uF	C910	168-1045-56	50V 0.1uF
C103	168-1032-55	50V 0.01pF	C586	163-1063-35	16V 10uF	C912	042-1723-90	10V 100uF
C104	168-1032-55	50V 0.01pF	C587	163-1063-35	16V 10uF	C916	168-1032-55	50V 0.01uF
C105	168-1032-55	50V 0.01pF	C588	163-1063-35	16V 10uF	C917	178-2242-78	25V 0.22uF
C106	042-1723-90	10V 100uF	C589	163-1063-35	16V 10uF	C918	178-2242-78	25V 0.22uF
C107	168-1045-56	50V 0.1uF	C591	163-1063-35	16V 10uF	C920	042-1722-90	10V 47uF
C108	168-1032-55	50V 0.01uF	C592	163-1063-35	16V 10uF	C921	163-1063-35	16V 10uF
C109	042-1722-90	10V 47uF	C593	166-4711-50	50V 470pF	C922	166-1011-50	50V 100pF
C110	042-1723-90	10V 100uF	C594	166-4711-50	50V 470pF	C923	163-1063-35	16V 10uF
C111	168-1032-55	50V 0.01pF	C596	166-4711-50	50V 470pF	C924	178-4742-78	25V 0.47uF
C112	168-6822-55	50V 6800pF	C597	166-4711-50	50V 470pF	C925	168-1045-56	50V 0.1uF
C113	168-2232-55	50V 0.022uF	C598	163-1063-35	16V 10uF	C926	042-1723-90	10V 100uF
C114	168-2232-55	50V 0.022uF	C599	163-1063-35	16V 10uF	C927	168-1045-56	50V 0.1uF
C116	168-4732-78	50V 0.047uF	C601	166-1011-50	50V 100pF	C928	168-1045-56	50V 0.1uF
C117	163-1053-65	50V 1uF	C602	166-1011-50	50V 100pF	C929	178-4742-78	25V 0.47uF
C118	168-1232-55	50V 0.012uF	C603	166-1011-50	50V 100pF	C930	166-1011-50	50V 100pF
C122	168-1045-56	50V 0.1uF	C604	166-1011-50	50V 100pF	C931	168-1045-56	50V 0.1uF
C123	168-1022-55	50V 1000pF	C609	178-4742-78	25V 0.47uF	C932	168-4732-78	50V 0.047uF
C124	168-1022-55	50V 1000pF	C610	178-4742-78	25V 0.47uF	D201	001-1310-00	KDS160
C125	166-1011-50	50V 100pF	C611	178-4742-78	25V 0.47uF	D202	001-0529-32	MA8056M
C126	168-1022-55	50V 1000pF	C612	178-4742-78	25V 0.47uF	D204	001-4902-91	HZM6.8MFA
C127	042-1722-90	10V 47uF	C613	168-1022-55	50V 1000pF	D205	001-4902-91	HZM6.8MFA
C128	168-1045-56	50V 0.1uF	C614	168-1022-55	50V 1000pF	D701	001-1310-00	KDS160
C201	166-1501-50	50V 15pF	C615	168-1022-55	50V 1000pF	D702	001-0529-32	MA8056M
C202	178-4742-78	25V 0.47uF	C616	168-1022-55	50V 1000pF	D901	001-0592-61	1N5404
C203	166-1501-50	50V 15pF	C617	168-1022-55	50V 1000pF	D902	001-2415-90	U1GC44
C204	168-1045-56	50V 0.1uF	C618	168-1022-55	50V 1000pF	D903	001-0529-32	MA8056M
C205	168-1045-56	50V 0.1uF	C619	168-1022-55	50V 1000pF	D904	001-1310-00	KDS160
C206	168-1045-56	50V 0.1uF	C620	168-1022-55	50V 1000pF	D905	001-0529-29	MA8051M
C207	042-1723-90	10V 100uF	C623	163-1063-35	16V 10uF	D907	001-1310-00	KDS160
C208	042-1723-90	10V 100uF	C624	178-1055-79	25V 1uF	D908	001-1310-00	KDS160
C211	168-1022-55	50V 1000pF	C625	168-1045-56	50V 0.1uF	D911	001-1310-00	KDS160
C212	166-1011-50	50V 100pF	C626	163-1063-35	16V 10uF	D912	001-1310-00	KDS160
C213	166-1011-50	50V 100pF	C701	042-1720-90	10V 220uF	D913	001-2415-90	U1GC44
C214	042-1720-90	10V 220uF	C702	163-1063-35	16V 10uF	D914	001-2415-90	U1GC44
C222	042-1720-90	10V 220uF	C706	042-1723-90	10V 100uF	D915	001-1310-00	KDS160
C223	042-1720-90	10V 220uF	C801	166-1011-50	50V 100pF	IC201	052-3971-00	uPD78F0545GK
C225	168-1045-56	50V 0.1uF	C802	168-1045-56	50V 0.1uF	IC501	051-5033-90	PT2311
C227	168-1022-55	50V 1000pF	C803	166-1011-50	50V 100pF	IC502	051-0350-93	NJM4558M
C501	163-2253-65	50V 2.2uF	C805	166-1011-50	50V 100pF	IC601	051-2057-00	TB2906HQ
C502	163-2253-65	50V 2.2uF	C806	042-1722-90	10V 47uF	IC801	051-6201-90	LC72146M
C503	163-2253-65	50V 2.2uF	C807	168-1032-55	50V 0.01uF	IC901	051-3349-00	HA13166
C504	168-1045-56	50V 0.1uF	C808	168-1022-55	50V 1000pF	IC902	051-5413-09	S80824KNUA-D2B
C505	168-1045-56	50V 0.1uF	C809	163-1053-65	50V 1uF	IC903	051-3379-00	REG-IC
C506	168-1045-56	50V 0.1uF	C810	168-1032-55	50V 0.01uF	J201	074-1316-12	12P
C507	168-2722-55	50V 2700pF	C811	166-1501-50	50V 15pF	J202	074-1237-70	20P
C510	166-1011-50	50V 100pF	C812	166-1801-50	50V18pF	J901	074-1214-00	16P
C511	163-2253-65	50V 2.2uF	C901	042-1545-00	16V 2200uF	JW102	119-0000-05	1/16W 0 ohm
C512	163-2253-65	50V 2.2uF	C902	168-1045-56	50V 0.1uF	JW104	119-0000-05	1/16W 0 ohm
C513	163-2253-65	50V 2.2uF	C903	042-1729-90	16V 1uF	JW105	119-0000-05	1/16W 0 ohm
C514	168-1045-56	50V 0.1uF	C904	168-1045-56	50V 0.1uF	JW106	119-0000-05	1/16W 0 ohm
C515	168-1045-56	50V 0.1uF	C905	042-1724-90	10V 470uF	JW202	119-0000-05	1/16W 0 ohm@
C516	168-1045-56	50V 0.1uF	C906	168-1045-56	50V 0.1uF			

REF No.	PART No.	DESCRIPTION	REF No.	PART No.	DESCRIPTION	REF No.	PART No.	DESCRIPTION
JW203	119-0000-05	1/16W 0 ohm#	Q910	125-3011-90	KTA1663	R598	119-4731-15	1/16W 47K ohm
JW204	119-0000-05	1/16W 0 ohm#	Q911	125-0199-93	KRA103S	R599	119-1031-15	1/16W 10K ohm
JW205	119-0000-05	1/16W 0 ohm@	Q912	125-4010-90	KTC3875GR	R601	119-3901-15	1/16W 39 ohm
JW206	119-0000-05	1/16W 0 ohm	Q914	125-2199-92	KRC102S	R602	119-3901-15	1/16W 39 ohm
JW208	119-0000-05	1/16W 0 ohm	Q915	125-0199-92	KRA102S	R603	119-3901-15	1/16W 39 ohm
JW209	119-0000-05	1/16W 0 ohm	Q917	125-3011-90	KTA1663	R604	119-3901-15	1/16W 39 ohm
JW210	119-0000-05	1/16W 0 ohm	Q918	125-3011-90	KTA1663	R605	119-2221-15	1/16W 2.2K ohm
JW211	119-0000-05	1/16W 0 ohm	Q919	125-3011-90	KTA1663	R606	119-2221-15	1/16W 2.2K ohm
JW212	119-0000-05	1/16W 0 ohm	Q920	125-2199-92	KRC102S	R607	119-2221-15	1/16W 2.2K ohm
JW213	119-0000-05	1/16W 0 ohm	R101	119-2221-15	1/16W 2.2K ohm	R608	119-2221-15	1/16W 2.2K ohm
JW214	119-0000-05	1/16W 0 ohm	R102	119-1011-15	1/16W 100 ohm	R610	119-4731-15	1/16W 47K ohm
JW215	119-0000-05	1/16W 0 ohm	R103	119-2221-15	1/16W 2.2K ohm	R611	119-1231-15	1/16W 12K ohm
JW217	119-0000-05	1/16W 0 ohm	R104	119-4741-15	1/16W 470K ohm	R701	119-4721-15	1/16W 4.7K ohm
JW218	119-0000-05	1/16W 0 ohm	R105	119-1021-15	1/16W 1K ohm	R702	119-1031-15	1/16W 10K ohm
JW219	119-0000-05	1/16W 0 ohm	R106	119-1831-15	1/16W 18K ohm	R703	119-4731-15	1/16W 47K ohm
JW220	119-0000-05	1/16W 0 ohm	R117	119-4721-15	1/16W 4.7K ohm	R705	116-1221-15	1/4W 1.2K ohm
JW226	119-0000-05	1/16W 0 ohm	R121	119-3311-15	1/16W 330 ohm	R801	119-1021-15	1/16W 1K ohm
JW227	119-0000-05	1/16W 0 ohm	R201	119-1031-15	1/16W 10K ohm	R802	119-5631-15	1/16W 56K ohm
JW501	119-0000-05	1/16W 0 ohm	R202	119-1021-15	1/16W 1K ohm	R803	119-2221-15	1/16W 2.2K ohm
JW502	119-0000-05	1/16W 0 ohm	R203	119-1041-15	1/16W 100K ohm	R804	119-1021-15	1/16W 1K ohm
JW503	119-0000-05	1/16W 0 ohm	R204	119-1041-15	1/16W 100K ohm	R809	119-5631-15	1/16W 56K ohm
JW602	119-0000-05	1/16W 0 ohm	R205	119-2231-15	1/16W 22K ohm	R810	119-1031-15	1/16W 10K ohm
JW701	119-0000-05	1/16W 0 ohm	R206	119-2231-15	1/16W 22K ohm	R902	119-1031-15	1/16W 10K ohm
JW901	119-0000-05	1/16W 0 ohm	R207	119-1041-15	1/16W 100K ohm	R903	119-5631-15	1/16W 56K ohm
JW903	060-0108-90	1/4W 0 ohm	R208	119-1041-15	1/16W 100K ohm	R904	119-8231-15	1/16W 82K ohm
L101	010-2003-04	30uH	R501	119-8221-15	1/16W 8.2K ohm	R905	119-1031-15	1/16W 10K ohm
L102	010-3001-63	5.6uH	R502	119-8221-15	1/16W 8.2K ohm	R906	119-3321-15	1/16W 3.3K ohm
L103	010-3001-63	5.6uH	R503	119-5621-15	1/16W 5.6K ohm	R907	119-1031-15	1/16W 10K ohm
L201	010-3001-63	5.6uH	R504	119-1031-15	1/16W 10K ohm	R908	119-1241-15	1/16W 120K ohm
L601	010-3001-63	5.6uH	R505	119-1231-15	1/16W 12K ohm	R909	119-6811-15	1/16W 680 ohm
L602	010-3001-63	5.6uH	R511	119-2221-15	1/16W 2.2K ohm	R911	119-1221-15	1/16W 1.2K ohm
L603	010-3001-63	5.6uH	R512	119-2221-15	1/16W 2.2K ohm	R912	119-4721-15	1/16W 4.7K ohm
L604	010-3001-63	5.6uH	R513	119-5621-15	1/16W 5.6K ohm	R913	119-2241-15	1/16W 220K ohm
L801	010-3407-78	220uH	R531	119-2231-15	1/16W 22K ohm	R914	119-2241-15	1/16W 220K ohm
L901	010-3001-63	5.6uH	R532	119-2231-15	1/16W 22K ohm	R915	119-5631-15	1/16W 56K ohm
Q101	125-2199-93	KRC103S	R576	119-3331-15	1/16W 33K ohm	R918	119-1041-15	1/16W 100K ohm
Q102	125-0199-98	KRA118S	R578	119-1041-15	1/16W 100K ohm	R919	119-4721-15	1/16W 4.7K ohm
Q103	125-0199-93	KRA103S	R579	119-1041-15	1/16W 100K ohm	R920	119-4731-15	1/16W 47K ohm
Q106	125-4013-90	KTC4375	R580	119-4731-15	1/16W 47K ohm	R921	116-2291-15	1/4W 2.2 ohm
Q594	125-0199-92	KRA102S	R581	119-4731-15	1/16W 47K ohm	R922	116-1591-15	1/4W 1.5 ohm
Q595	133-1306-00	2SD1306	R582	119-4731-15	1/16W 47K ohm	R923	116-2291-15	1/4W 2.2 ohm
Q596	133-1306-00	2SD1306	R583	119-3331-15	1/16W 33K ohm	R925	119-8211-15	1/16W 820 ohm
Q597	133-1306-00	2SD1306	R584	119-3331-15	1/16W 33K ohm	R926	119-2731-15	1/16W 27K ohm
Q598	133-1306-00	2SD1306	R585	119-3331-15	1/16W 33K ohm	R928	116-1591-15	1/4W 1.5 ohm
Q701	125-3004-90	KTA1504	R586	119-4721-15	1/16W 4.7K ohm	R929	119-1031-15	1/16W 10K ohm
Q702	125-4013-90	KTC4375	R587	119-1031-15	1/16W 10K ohm	R930	119-8221-15	1/16W 8.2K ohm
Q703	125-0199-92	KRA102S	R588	119-1031-15	1/16W 10K ohm	R939	119-1231-15	1/16W 12K ohm
Q704	125-2199-92	KRC102S	R589	119-3311-15	1/16W 330 ohm	RCA6	075-9014-00	RCA JACK 6P
Q901	125-4010-90	KTC3875GR	R590	119-3311-15	1/16W 330 ohm	S901	013-3932-01	RST SW
Q902	125-0199-92	KRA102S	R591	119-5621-15	1/16W 5.6K ohm	SUP101	060-0122-20	DSP-141N-S00B
Q904	125-2199-93	KRC103S	R592	119-5621-15	1/16W 5.6K ohm	T901	009-9006-60	CHOKE
Q905	125-2199-92	KRC102S	R593	119-5621-15	1/16W 5.6K ohm	X201	061-1081-50	12MHz
Q906	125-3011-90	KTA1663	R594	119-5621-15	1/16W 5.6K ohm	X801	061-1066-00	7.2MHz
Q907	125-3011-90	KTA1663	R595	119-3311-15	1/16W 330 ohm	PWB	039-2836-02	PWB (WITHOUT COMPONENT)
Q908	125-2199-92	KRC102S	R596	119-3311-15	1/16W 330 ohm			
Q909	125-3011-90	KTA1663	R597	119-1031-15	1/16W 10K ohm			

Switch PWB (B2) section

REF No.	PART No.	DESCRIPTION	REF No.	PART No.	DESCRIPTION	REF No.	PART No.	DESCRIPTION
C1	168-1022-55	50V 1000pF	D17	001-7819-90	LED	R7	119-4711-15	1/16W 470 ohm
C2	168-1042-78	50V 0.1uF	D18	001-7819-90	LED	R8	119-4711-15	1/16W 470 ohm
C3	042-1728-90	16V 10uF	D19	001-0529-53	MA8110M	R9	119-5611-15	1/16W 560 ohm
C4	168-4732-78	50V 0.047uF	D20	001-7819-90	LED	R10	119-1011-15	1/16W 100 ohm
C5	168-4732-78	50V 0.047uF	D21	001-7819-90	LED	R11	119-1011-15	1/16W 100 ohm
C6	168-4732-78	50V 0.047uF	D22	001-0529-53	MA8110M	R12	119-3921-15	1/16W 3.9K ohm
D1	001-0529-41	MA8075M	D23	001-7819-90	LED	R13	119-1241-15	1/16W 120K ohm
D6	001-7819-90	LED	D24	001-7819-90	LED	R14	119-1021-15	1/16W 1K ohm
D7	001-7819-90	LED	D25	001-0529-53	MA8110M	R15	119-1011-15	1/16W 100 ohm
D8	001-0529-53	MA8110M	IC1	051-6013-50	PT6554LQ	R16	119-4731-15	1/16W 47K ohm
D9	001-4902-91	HZM6.8MFA	IR1	060-4017-90	RS-671	R17	119-1031-15	1/16W 10K ohm
D10	001-4902-91	HZM6.8MFA	J1	076-0703-12	PLUG	R18	119-2221-15	1/16W 2.2K ohm
D11	001-0529-41	MA8075M	LCD1	379-5016-00	INDICATOR (LCD)	R19	119-2221-15	1/16W 2.2K ohm
D12	001-0529-29	MA8051M	R1	119-1011-15	1/16W 100 ohm	R20	119-2221-15	1/16W 2.2K ohm
D13	001-4902-91	HZM6.8MFA	R2	119-1011-15	1/16W 100 ohm	R21	119-2221-15	1/16W 2.2K ohm
D14	001-0529-53	MA8110M	R3	119-1011-15	1/16W 100 ohm	VR1	016-9900-84	VR W/SHAFT
D15	001-7819-90	LED	R4	119-1011-15	1/16W 100 ohm	PWB	039-2835-00	PWB (WITHOUT COMPONENT)
D16	001-7819-90	LED	R6	119-4711-15	1/16W 470 ohm			

Sub board PWB (B3) section

REF No.	PART No.	DESCRIPTION	REF No.	PART No.	DESCRIPTION	REF No.	PART No.	DESCRIPTION
BD2	119-0000-05	1/16W 0 ohm	C34	168-1045-56	50V 0.1uF	C78	166-1011-50	50V 100pF
BD3	119-1001-15	1/16W 10 ohm	C35	168-1045-56	50V 0.1uF	C79	168-1022-55	50V 1000pF
BD4	119-1001-15	1/16W 10 ohm	C36	168-1045-56	50V 0.1uF	C80	168-2242-58	50V 0.22uF
C1	168-1045-56	50V 0.1uF	C37	168-1032-55	50V 0.01uF	C81	168-1045-56	50V 0.1uF
C2	168-1045-56	50V 0.1uF	C38	168-1045-56	50V 0.1uF	C82	168-1045-56	50V 0.1uF
C3	168-1045-56	50V 0.1uF	C39	168-1045-56	50V 0.1uF	C83	168-1045-56	50V 0.1uF
C4	168-1045-56	50V 0.1uF	C40	168-1045-56	50V 0.1uF	C84	168-1045-56	50V 0.1uF
C5	168-1045-56	50V 0.1uF	C41	166-3301-50	50V 33pF	C85	168-1045-56	50V 0.1uF
C6	168-1045-56	50V 0.1uF	C42	166-3301-50	50V 33pF	C86	168-1045-56	50V 0.1uF
C7	168-1045-56	50V 0.1uF	C43	168-1045-56	50V 0.1uF	C87	168-1045-56	50V 0.1uF
C8	168-1045-56	50V 0.1uF	C44	168-1032-55	50V 0.01uF	C88	168-1045-56	50V 0.1uF
C9	168-1045-56	50V 0.1uF	C45	168-1045-56	50V 0.1uF	C89	168-1045-56	50V 0.1uF
C10	168-1045-56	50V 0.1uF	C46	168-1045-56	50V 0.1uF	C90	168-1045-56	50V 0.1uF
C11	168-1045-56	50V 0.1uF	C47	168-1045-56	50V 0.1uF	C91	168-1045-56	50V 0.1uF
C12	168-1045-56	50V 0.1uF	C48	168-1045-56	50V 0.1uF	C96	168-1045-56	50V 0.1uF
C13	168-1045-56	50V 0.1uF	C49	168-1045-56	50V 0.1uF	C97	168-4745-56	50V 0.47uF
C14	168-1045-56	50V 0.1uF	C50	166-1007-50	50V 10pF	C99	168-1022-55	50V 1000pF
C15	168-1045-56	50V 0.1uF	C52	168-1032-55	50V 0.01uF	CON2	074-4022-05	USB5P
C16	168-1045-56	50V 0.1uF	C54	168-1045-56	50V 0.1uF	EC1	042-1730-90	50V 100uF
C17	168-1045-56	50V 0.1uF	C55	166-3301-50	50V 33pF	EC2	042-1728-90	16V 10uF
C18	168-1045-56	50V 0.1uF	C56	166-3301-50	50V 33pF	EC3	042-1723-90	10V 100uF
C19	168-1045-56	50V 0.1uF	C57	168-1045-56	50V 0.1uF	EC4	042-1730-90	50V 100uF
C21	168-1522-55	50V 1500pF	C58	166-1011-50	50V 100pF	EC5	042-1728-90	16V 10uF
C22	166-2201-50	50V 22pF	C60	166-1011-50	50V 100pF	EC6	042-1728-90	16V 10uF
C23	166-1007-50	50V 10pF	C64	168-1045-56	50V 0.1uF	EC8	042-1728-90	16V 10uF
C24	168-1045-56	50V 0.1uF	C65	166-3611-50	50V 360pF	EC11	042-0423-94	10V 4.7uF
C25	166-5611-50	50V 560pF	C66	166-2201-50	50V 22pF	EC12	042-0423-94	10V 4.7uF
C26	168-1032-55	50V 0.01uF	C67	166-2201-50	50V 22pF	EC15	042-1728-90	16V 10uF
C27	168-1522-55	50V 1500pF	C68	166-2201-50	50V 22pF	EC16	042-1728-90	16V 10uF
C28	168-1522-55	50V 1500pF	C69	166-2201-50	50V 22pF	EC17	042-1728-90	16V 10uF
C29	168-1522-55	50V 1500pF	C71	168-1032-55	50V 0.01pF	EC20	042-1728-90	16V 10uF
C30	166-3096-50	50V 3pF	C72	168-1032-55	50V 0.01pF	J1	074-1138-66	15P
C31	166-2096-50	50V 2pF	C75	168-1045-56	50V 0.1uF	J2	074-1138-60	10P
C32	168-1045-56	50V 0.1uF	C76	166-1011-50	50V 100pF	J5	074-1237-70	20P
C33	168-1045-56	50V 0.1uF	C77	168-1022-55	50V 1000pF	Q2	125-3004-90	KTA1504

Q3	125-0199-93	KRA103S	R42	119-3091-15	1/16W 3 ohm	R109	119-1031-15	1/16W 10K ohm
Q4	125-2199-93	KRC103S	R43	119-3091-15	1/16W 3 ohm	R110	119-0000-05	1/16W 0 ohm
R2	119-4721-15	1/16W 4.7K ohm	R44	119-3331-15	1/16W 33K ohm	R111	119-1211-15	1/16W 120 ohm
R3	119-4721-15	1/16W 4.7K ohm	R45	119-4731-15	1/16W 47K ohm	R112	119-2241-15	1/16W 220K ohm
R4	119-4721-15	1/16W 4.7K ohm	R46	119-4721-15	1/16W 4.7K ohm	R113	119-0000-05	1/16W 0 ohm
R5	119-0000-05	1/16W 0 ohm	R48	119-1051-15	1/16W 1M ohm	R114	119-4741-15	1/16W 470K ohm
R6	119-0000-05	1/16W 0 ohm	R50	119-7521-15	1/16W 7.5K ohm	R115	119-4721-15	1/16W 4.7K ohm
R7	119-1031-15	1/16W 10K ohm	R51	119-7521-15	1/16W 7.5K ohm	R116	119-4721-15	1/16W 4.7K ohm
R8	119-1031-15	1/16W 10K ohm	R52	119-3331-15	1/16W 33K ohm	R120	119-1031-15	1/16W 10K ohm
R9	119-1031-15	1/16W 10K ohm	R54	119-2031-15	1/16W 20K ohm	R121	119-1831-15	1/16W 18K ohm
R10	119-1031-15	1/16W 10K ohm	R55	119-1031-15	1/16W 10K ohm	R123	119-4721-15	1/16W 4.7K ohm
R11	119-1031-15	1/16W 10K ohm	R57	119-6251-15	1/16W 6.2M ohm	R124	119-4721-15	1/16W 4.7K ohm
R13	119-5121-15	1/16W 5.1K ohm	R62	119-1021-15	1/16W 1K ohm	R125	119-1011-15	1/16W 100 ohm
R14	119-1031-15	1/16W 10K ohm	R64	119-0000-05	1/16W 0 ohm	R126	119-1011-15	1/16W 100 ohm
R15	119-1031-15	1/16W 10K ohm	R65	119-0000-05	1/16W 0 ohm	R127	119-1011-15	1/16W 100 ohm
R16	119-1031-15	1/16W 10K ohm	R66	119-1041-15	1/16W 100K ohm	R129	119-1041-15	1/16W 100K ohm
R17	119-1031-15	1/16W 10K ohm	R67	119-2211-15	1/16W 220 ohm	R131	119-0000-05	1/16W 0 ohm
R18	119-1031-15	1/16W 10K ohm	R68	119-2211-15	1/16W 220 ohm	R132	119-2221-15	1/16W 2.2K ohm
R19	119-1031-15	1/16W 10K ohm	R80	119-1041-15	1/16W 100K ohm	R133	119-2221-15	1/16W 2.2K ohm
R20	119-5121-15	1/16W 5.1K ohm	R84	119-3331-15	1/16W 33K ohm	R134	119-2221-15	1/16W 2.2K ohm
R21	119-1221-15	1/16W 1.2K ohm	R86	119-0000-05	1/16W 0 ohm	R135	119-0000-05	1/16W 0 ohm
R22	119-1221-15	1/16W 1.2K ohm	R87	119-0000-05	1/16W 0 ohm	R136	119-0000-05	1/16W 0 ohm
R23	119-1031-15	1/16W 10K ohm	R88	119-1031-15	1/16W 10K ohm	R138	119-0000-05	1/16W 0 ohm
R24	119-1031-15	1/16W 10K ohm	R91	119-3331-15	1/16W 33K ohm	R139	119-0000-05	1/16W 0 ohm
R25	119-1031-15	1/16W 10K ohm	R92	119-8231-15	1/16W 82K ohm	R140	119-1511-15	1/16W 150 ohm
R26	119-1591-15	1/16W 1.5 ohm	R93	119-1001-15	1/16W 10 ohm	U1	052-0422-00	TCC760
R27	119-1591-15	1/16W 1.5 ohm	R94	119-1001-15	1/16W 10 ohm	U2	051-6725-00	uPD63712
R28	119-0000-05	1/16W 0 ohm	R95	119-1041-15	1/16W 100K ohm	U4	051-6085-90	IP9004
R29	119-1031-15	1/16W 10K ohm	R97	119-1531-15	1/16W 15K ohm	U5	051-9819-00	A29L800ATV
R30	119-1031-15	1/16W 10K ohm	R98	119-1531-15	1/16W 15K ohm	U6	051-9320-10	IS42S16100CI-7TLI
R31	119-1031-15	1/16W 10K ohm	R99	119-4721-15	1/16W 4.7K ohm	U7	051-3381-90	IP1642L
R32	119-1031-15	1/16W 10K ohm	R100	119-2231-15	1/16W 22K ohm	U9	051-6724-00	RS9702-005
R33	119-6801-15	1/16W 68 ohm	R101	119-2031-15	1/16W 20K ohm	U11	051-3382-90	IP1117_33
R34	119-2031-15	1/16W 20K ohm	R102	119-7521-15	1/16W 7.5K ohm	Y1	061-9201-50	16.9344MHz
R35	119-2031-15	1/16W 20K ohm	R103	119-7521-15	1/16W 7.5K ohm	Y2	061-9204-90	12MHz
R36	119-1021-15	1/16W 1K ohm	R104	119-4731-15	1/16W 47K ohm	Y3	061-9203-90	10MHz
R37	119-3331-15	1/16W 33K ohm	R105	119-4721-15	1/16W 4.7K ohm	PWB	039-2889-01	PWB (WITHOUT COMPONENT)
R39	119-1001-15	1/16W 10 ohm	R107	119-1831-15	1/16W 18K ohm			
R40	119-3331-15	1/16W 33K ohm	R108	119-1041-15	1/16W 100K ohm			

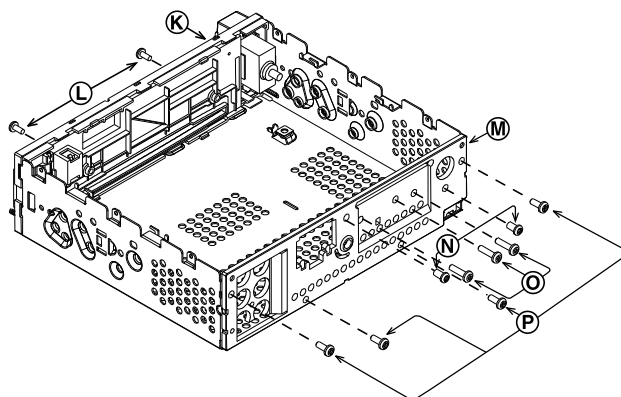
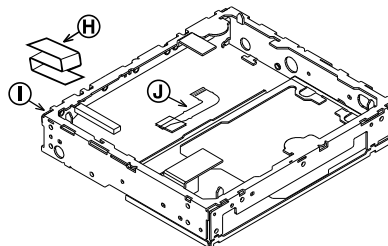
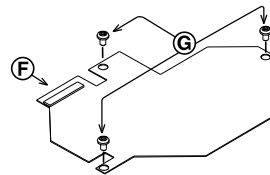
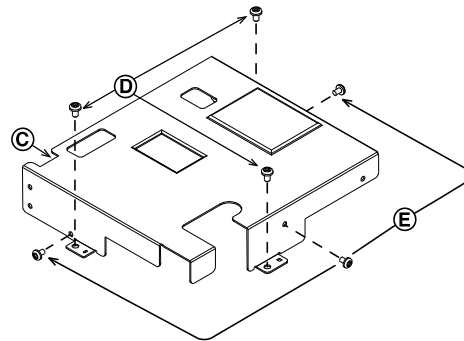
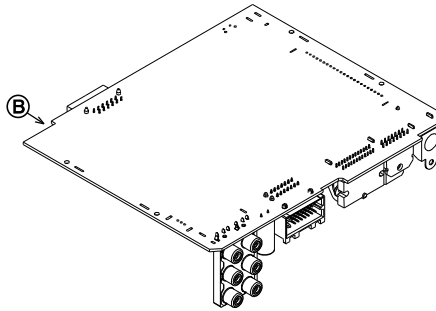
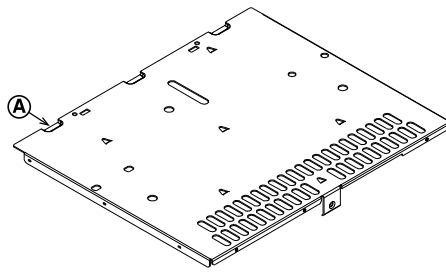
Sensor PWB (B4) section

REF No.	PART No.	DESCRIPTION	REF No.	PART No.	DESCRIPTION	REF No.	PART No.	DESCRIPTION
D1	001-7058-90	AN1105W-RR	Q1	060-4015-91	PS1192HB	S2	013-7413-50	LIMIT
D2	001-7058-90	AN1105W-RR	Q2	060-4015-91	PS1192HB	PWB	039-2675-20	PWB (WITHOUT COMPONENT)
J1	074-1138-60	10P	S1	013-7414-50	CHUCKING			

REMOVING MAIN PWB FOR REPAIR

No.	PART No.	PART NAME	Q'TY
A	331-1848-03	LOWER CASE	1
B	039-2836-02	MAIN PWB	1
C	331-4363-00	MECH BRACKET	1
D	731-3005-8B	TAPTIGHT	3
E	714-2604-8B	MC SCREW	3
F	039-2889-01	SUB BOARD PWB	1
G	731-5725-00	TAPTIGHT	3
H	816-4033-60	FLAT WIRE	1
I	929-5003-80	MECHANISM	1
J	-	PICK-UP HAEAD CABLE	1
K	370-6251-00	INNER ESCUTCHEON	1
L	714-2606-8H	MACHINE SCREW	1
M	313-2001-00	HEAT SINK	1
N	714-3006-8B	MACHINE SCREW	2
O	731-3012-80	TAPTIGHT	3
P	731-3008-80	TAPTIGHT	4

View from bottom side



Step 1
Remove all screw (N), (O), (P), from heat sink (M), and then remove the heat sink.

Step 2
Remove lower case (A).

Step 3
Remove all screw (L), from inner escutcheon (K), and then remove the inner escutcheon.

Step 4
Unsolder 4 points on the main PWB (B), (Figure 1).

Step 5
Remove flat wire (H) between sub board PWB (F), and main PWB (B).

Step 6
Remove main PWB (B) for repairing.

Step 7
Remove all screw (D) and (E), from mechanism bracket (C), and then remove the mechanism bracket.

Step 8
Remove all screw (G), from sub board PWB (F).

Step 9
Unplug the pick-up head cable (J), from sub board PWB (F), and then remove the sub board PWB for repairing.

Step 10
Remove the mechanism (I), from the upper case, if the mechanism needs replacement.



Figure 1