

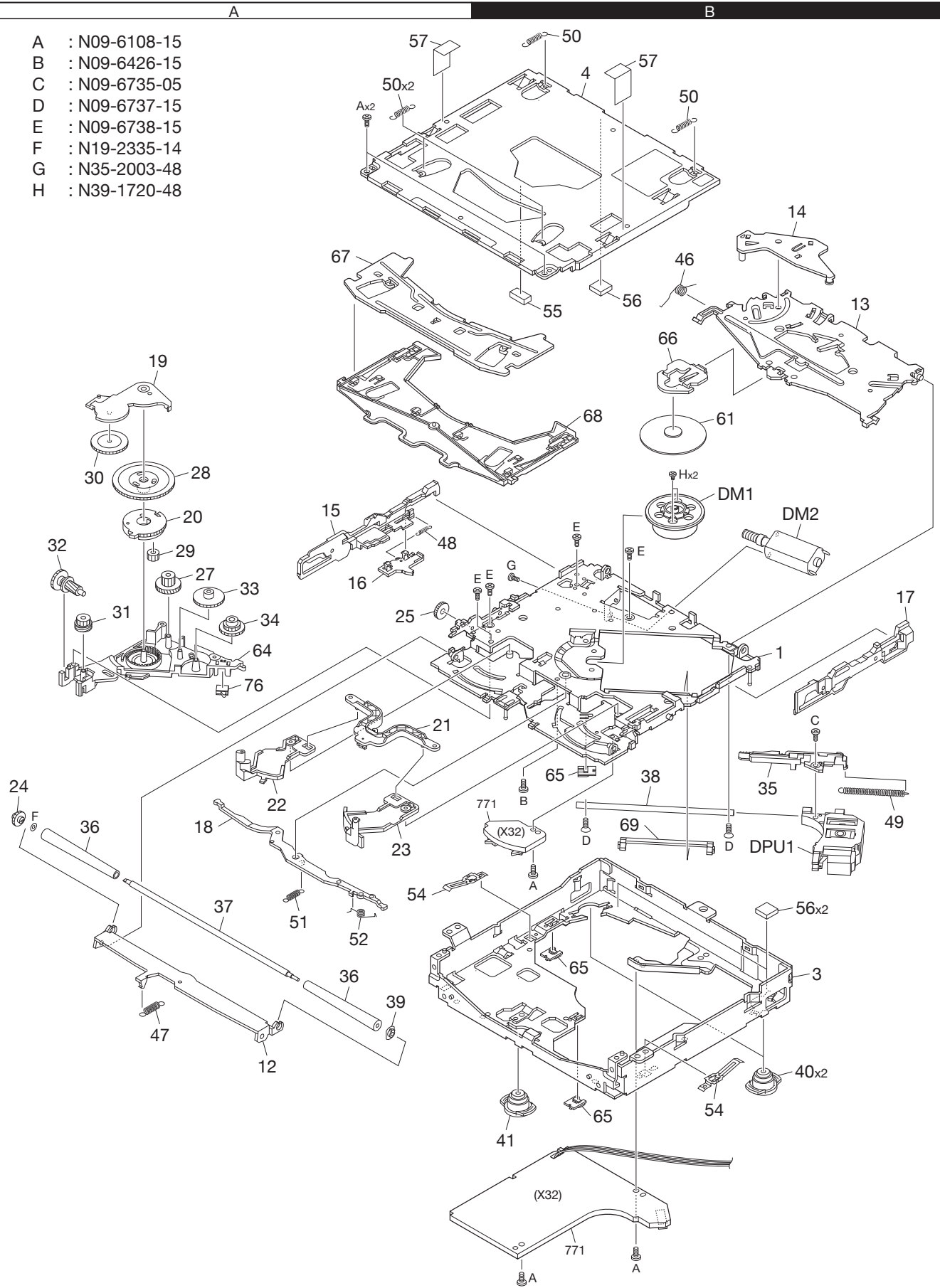
EXPLODED VIEW (CD MECHANISM)

- A : N09-6108-15
- B : N09-6426-15
- C : N09-6735-05
- D : N09-6737-15
- E : N09-6738-15
- F : N19-2335-14
- G : N35-2003-48
- H : N39-1720-48

1

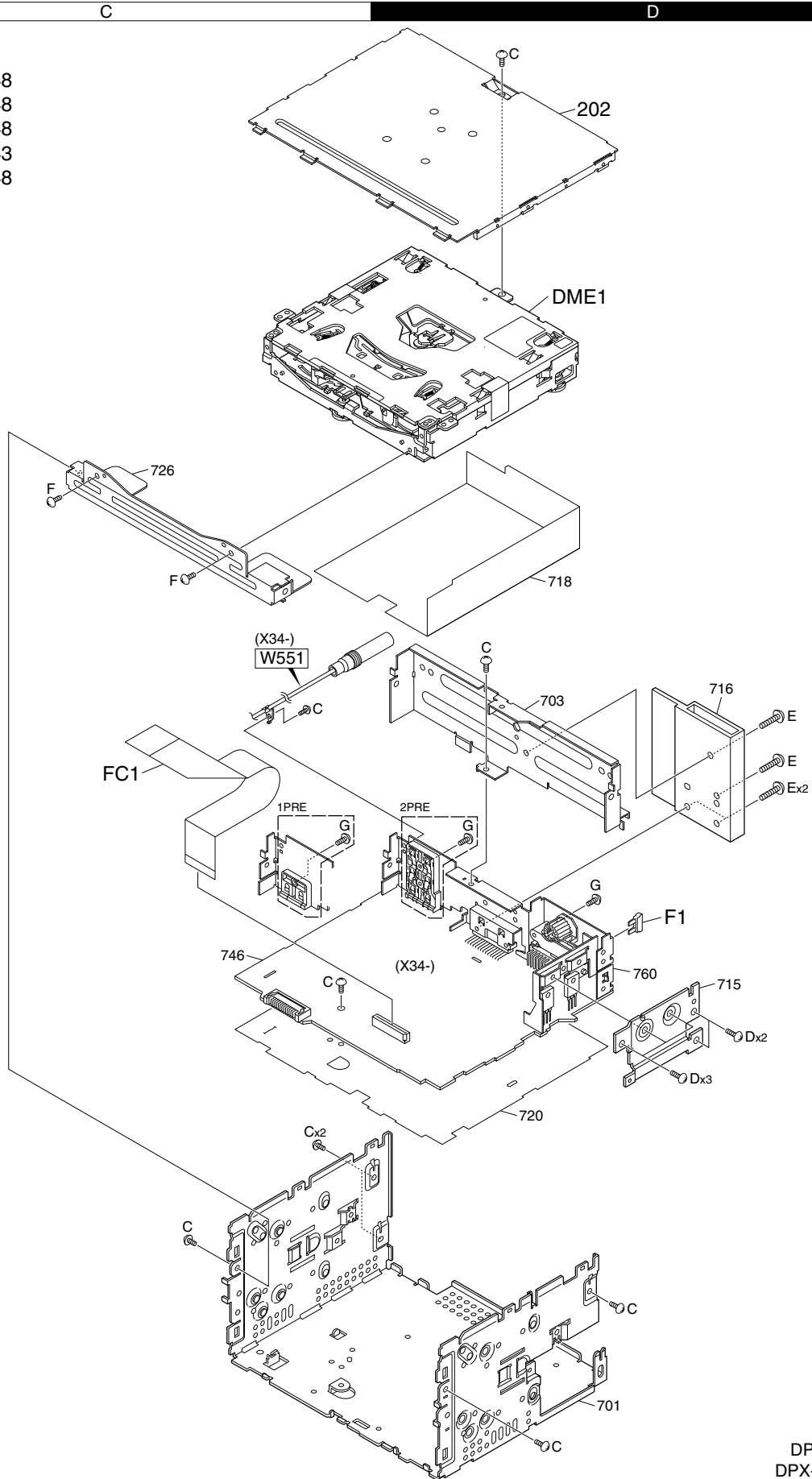
2

3



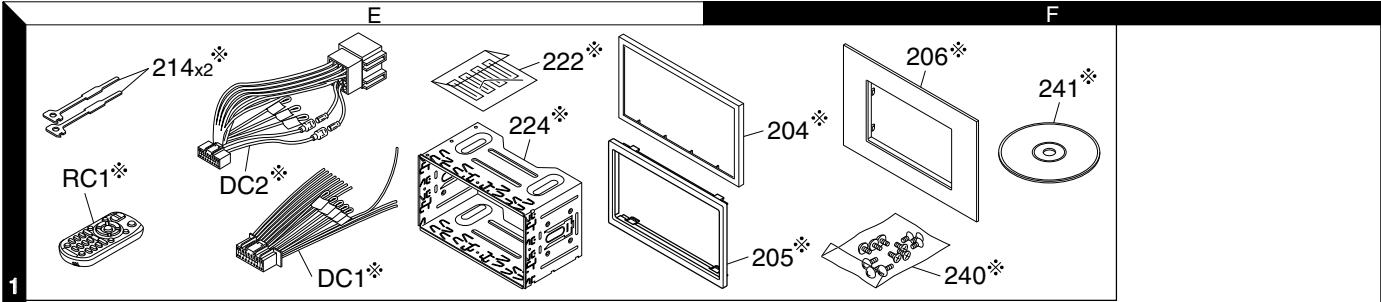
Parts with the exploded numbers larger than 700 are not supplied.

- C : N83-3005-48
- D : N83-3008-48
- E : N83-3016-48
- F : N86-2604-43
- G : N80-3008-48

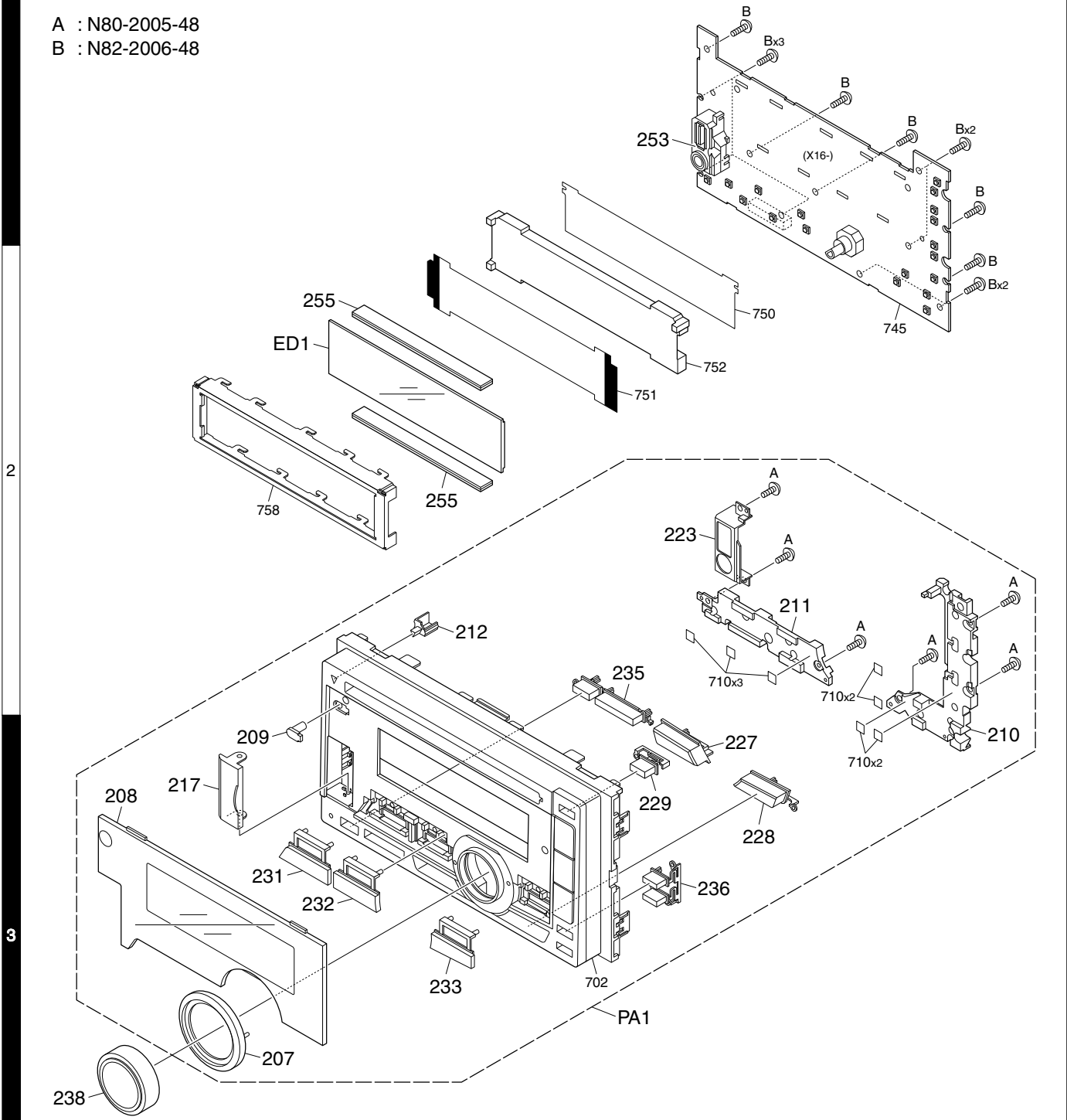


DPX308U(1/2)
DPX-U3120(1/2)

Parts with the exploded numbers larger than 700 are not supplied.



A : N80-2005-48
 B : N82-2006-48



DPX308U(2/2)
 DPX-U3120(2/2)

* Depends on the models. Refer to the parts list.

Parts with the exploded numbers larger than 700 are not supplied.

PARTS LIST

*New Parts

Parts without Parts No. are not supplied.


Les articles non mentionnes dans le Parts No. ne sont pas fournis.

Teile ohne Parts No. werden nicht geliefert.

Ref.No.	A d d	N e w	Parts No.	Description	Dest inati on
DPX304/308U/404U DPX-MP3120/U5120/U5120S					
202	1D	*	A52-1159-02	TOP PLATE	
PA1	3F	*	A64-5205-41	PANEL ASSY	M1
PA1	3F	*	A64-5206-41	PANEL ASSY	M2
PA1	3F	*	A64-5207-41	PANEL ASSY	M3
PA1	3F	*	A64-5209-41	PANEL ASSY	E2
PA1	3F	*	A64-5210-41	PANEL ASSY	E3
PA1	3F	*	A64-5267-41	PANEL ASSY	K1
RC1	1E		A70-2104-05	REMOTE CONTROLLER ASSY(RC-40)	M1M2K1
RC1	1E		A70-2104-05	REMOTE CONTROLLER ASSY(RC-40)	M3
-		*	B59-2055-00	SUB-INSTRUCTION MAN(EFGDISPRU)	E2E3
-		*	B59-2069-00	SUB-INSTRUCTION MANUAL(EFS)	K1
-		*	B64-4805-00	INSTRUCTION MANUAL(ENG.)	M1M2M3
-		*	B64-4806-00	INSTRUCTION MANUAL(S-CHI.)	M1M2M3
-		*	B64-4807-00	INSTRUCTION MANUAL(ARA.)	M1M2M3
204	1F		B07-3025-02	ESCUTCHEON	M1M2M3
205	1E		B07-3165-02	ESCUTCHEON	K1E2E3
206	1F		B07-3172-12	ESCUTCHEON	K1
207	3E	*	B07-3356-03	ESCUTCHEON (RING)	E2
207	3E	*	B07-3356-03	ESCUTCHEON (RING)	K1M1M2
207	3E	*	B07-3357-03	ESCUTCHEON (RING)	M3E3
208	3E	*	B10-5416-01	FRONT GLASS	M1M2
208	3E	*	B10-5418-01	FRONT GLASS	M3
208	3E	*	B10-5420-01	FRONT GLASS	E2
208	3E	*	B10-5421-01	FRONT GLASS	E3
208	3E	*	B10-5451-01	FRONT GLASS	K1
209	3E	*	B10-5424-04	FRONT GLASS	
210	3F	*	B19-2599-01	LIGHTING BOARD	
211	2F	*	B19-2601-02	LIGHTING BOARD	
212	2E	*	B19-2602-04	LIGHTING BOARD (TRIANGLE)	
214	1E		D10-7012-04	LEVER	K1E2E3
DC1	1E		E30-6939-05	DC CORD	M1M2K1
DC1	1E		E30-6939-05	DC CORD	M3
DC2	1E		E30-6940-05	DC CORD	E2E3
FC1	2C	*	E39-1216-05	FLAT CABLE	
217	3E	*	F07-2241-13	COVER	
F1	2D		F52-0023-05	FUSE(MINI BLADE TYPE) 10A	
-		*	H54-5006-03	ITEM CARTON CASE	M1
-		*	H54-5007-03	ITEM CARTON CASE	M2
-		*	H54-5008-03	ITEM CARTON CASE	M3
-		*	H54-5010-03	ITEM CARTON CASE	E2
-		*	H54-5011-03	ITEM CARTON CASE	E3
-		*	H54-5087-03	ITEM CARTON CASE	K1
222	1E		H30-0595-04	ADHESIVE DOUBLE-COATED TAPE	K1
223	2F	*	J19-7328-13	HOLDER	
224	1E		J22-0429-13	MOUNTING HARDWARE ASSY	K1E2E3
227	3F	*	K24-5094-03	PUSH KNOB (B.BOOST)	M2
227	3F	*	K24-5118-03	PUSH KNOB (B.BOOST)	M1E2K1
227	3F	*	K24-5118-03	PUSH KNOB (B.BOOST)	M3E3
228	3F	*	K24-5095-03	PUSH KNOB (BACK)	M1E2K1
228	3F	*	K24-5095-03	PUSH KNOB (BACK)	M3E3

Ref.No.	A d d	N e w	Parts No.	Description	Dest inati on
228	3F	*	K24-5096-03	PUSH KNOB (BACK)	M2
229	3F	*	K24-5097-03	PUSH KNOB (EJECT)	M1E2K1
229	3F	*	K24-5097-03	PUSH KNOB (EJECT)	M3E3
229	3F	*	K24-5098-03	PUSH KNOB (EJECT)	M2
231	3E	*	K24-5105-03	PUSH KNOB (SRC)	M2M3E3
231	3E	*	K24-5106-03	PUSH KNOB (SRC)	M1E2K1
232	3C	*	K24-5107-03	PUSH KNOB (IPOD)	M2
232	3C	*	K24-5108-03	PUSH KNOB (IPOD)	M1E2K1
232	3C	*	K24-5117-03	PUSH KNOB (PP)	M3E3
233	3C	*	K24-5109-03	PUSH KNOB (SEARCH)	M2M3E3
233	3C	*	K24-5110-03	PUSH KNOB (SEARCH)	M1E2K1
235	3F	*	K25-3109-03	PUSH KNOB (BAND-TRACK)	M1E2K1
235	3F	*	K25-3109-03	PUSH KNOB (BAND-TRACK)	M3E3
235	3F	*	K25-3110-03	PUSH KNOB (BAND-TRACK)	M2
236	3F	*	K25-3111-03	PUSH KNOB (DISP-ATT)	M1E2K1
236	3F	*	K25-3111-03	PUSH KNOB (DISP-ATT)	M3E3
236	3F	*	K25-3112-03	PUSH KNOB (DISP-ATT)	M2
238	3E	*	K28-0447-03	KNOB ASSY (VOL)	E2
238	3E	*	K28-0447-03	KNOB ASSY (VOL)	K1M1M2
238	3E	*	K28-0450-03	KNOB ASSY (VOL)	M3E3
240	1E		N99-1779-15	SCREW SET	M1M2K1
240	1E		N99-1779-15	SCREW SET	M3
A	2F		N80-2005-48	PAN HEAD TAPTITE SCREW	
B	1F		N82-2006-48	BINDING HEAD TAPTITE SCREW	
C	3D		N83-3005-48	PAN HEAD TAPTITE SCREW	
D	3D		N83-3008-48	PAN HEAD TAPTITE SCREW	
E	3D		N83-3016-48	PAN HEAD TAPTITE SCREW	
F	2C		N86-2604-43	BINDING HEAD TAPTITE SCREW	
241	1F	*	W01-1794-05	COMPACT DISC (MANUAL)	E2E3
DME1	1D		X92-6320-00	CD MECHANISM ASSY (DXM-9B10W)	M3E3
DME1	1D		X92-6360-04	CD MECHANISM ASSY (DXM-9B34W)	E2
DME1	1D		X92-6360-04	CD MECHANISM ASSY (DXM-9B34W)	K1M1M2
SWITCH UNIT (X16-7120-2x)					
253	1F	*	B19-2597-02	LIGHTING BOARD (USB)	E2
253	1F	*	B19-2597-02	LIGHTING BOARD (USB)	K1M1M2
253	1F	*	B19-2598-02	LIGHTING BOARD (AUX)	M3E3
D4 -15			NSSM065T-X	LIGHT EMITTING DIODE	
D16 ,17			B30-1784-05	LED(RGB SIDE)	
D18			B30-1566-05	LED(1608,RED)	
ED1	2E	*	B38-1230-05	LCD	
C3			CK73HB0J105K	CHIP C 1.0UF K	
C4			CK73HB1A104K	CHIP C 0.10UF K	
C5			CC73GCH1H102J	CHIP C 1000PF J	
C6 -8			CK73HB1A104K	CHIP C 0.10UF K	
C9			CK73GB1H103K	CHIP C 0.010UF K	
C11			CK73HB1E103K	CHIP C 0.010UF K	
C12			CC73HCH1H101J	CHIP C 100PF J	
C13			CK73FB0J106K	CHIP C 10UF K	E2
C13			CK73FB0J106K	CHIP C 10UF K	K1M1M2
255	2E		E29-2066-04	CONDUCTIVE RUBBER	
CN1		*	E41-3258-05	SOCKET FOR PIN ASSY	
J1			QNZ1057-001	USB CONNECTOR	E2
J1			QNZ1057-001	USB CONNECTOR	K1M1M2

E2: DPX404U **E3:** DPX304 (Europe) **K1:** DPX308U (North America)
M1: DPX-U5120 **M2:** DPX-U5120S **M3:** DPX-MP3120 (Other Areas)

 indicates safety critical components.

PARTS LIST

SWITCH UNIT (X16-7120-2x)

Ref.No.	A d d	N e w	Parts No.	Description	Dest inati on
J2			QNS0308-001	DIA 3.5 TYPE JACK	
L1			L92-0616-05	CHIP FERRITE	E2
L1			L92-0616-05	CHIP FERRITE	K1M1M2
CP1 -3			RK74HB1J102J	CHIP-COM 1.0K J 1/16W	
R10			RK73GB2A102J	CHIP R 1.0K J 1/10W	
R16			RK73EB2E821J	CHIP R 820 J 1/4W	
R18 ,19			RK73HB1J101J	CHIP R 100 J 1/16W	
R20			RK73HB1J222J	CHIP R 2.2K J 1/16W	
R21			RK73HB1J102J	CHIP R 1.0K J 1/16W	
R22 ,23			RK73HB1J222J	CHIP R 2.2K J 1/16W	
R27			RK73HB1J103J	CHIP R 10K J 1/16W	
R28			RK73GB2A431J	CHIP R 430 J 1/10W	
R29			RK73EB2E201J	CHIP R 200 J 1/4W	
R30			RK73EB2E391J	CHIP R 390 J 1/4W	
R31			RK73GB2A431J	CHIP R 430 J 1/10W	
R32			RK73EB2E201J	CHIP R 200 J 1/4W	
R33			RK73EB2E391J	CHIP R 390 J 1/4W	
R34 ,35			RK73GB2A431J	CHIP R 430 J 1/10W	
R36 ,37			RK73EB2E201J	CHIP R 200 J 1/4W	
R38 ,39			RK73EB2E391J	CHIP R 390 J 1/4W	
R40			RK73GB2A431J	CHIP R 430 J 1/10W	
R41			RK73EB2E201J	CHIP R 200 J 1/4W	
R42			RK73EB2E391J	CHIP R 390 J 1/4W	
R43			RK73GB2A431J	CHIP R 430 J 1/10W	
R44			RK73EB2E201J	CHIP R 200 J 1/4W	
R45			RK73EB2E391J	CHIP R 390 J 1/4W	
R46			RK73GB2A561J	CHIP R 560 J 1/10W	
R47			RK73EB2E361J	CHIP R 360 J 1/4W	
R48			RK73EB2E181J	CHIP R 180 J 1/4W	
R49 ,50			RK73HB1J330J	CHIP R 33 J 1/16W	E2
R49 ,50			RK73HB1J330J	CHIP R 33 J 1/16W	K1M1M2
R51 ,52			RK73HB1J123J	CHIP R 12K J 1/16W	
R54 ,55			RK73EB2E100J	CHIP R 10 J 1/4W	
R56			RK73EB2E4R7J	CHIP R 4.7 J 1/4W	
R57			RK73HB1J393J	CHIP R 39K J 1/16W	
S2 -19			NSW0326-001X	TACT SWITCH	
S1			T99-0484-05	ROTARY ENCODER	
D1 ,2			LVS10C270S030	VARISTOR	E2
D1 ,2			LVS10C270S030	VARISTOR	K1M1M2
D3			DA204U	DIODE	E2
D3			DA204U	DIODE	K1M1M2
IC1		*	PT6530	MOS-IC	
IC2			PIC95603	ANALOGUE IC	
Q1			RT1N436M-T111	TRANSISTOR	
Q2 ,3			RT1N237M-T111	TRANSISTOR	
Q4			RT1N436M-T111	TRANSISTOR	
Q5 ,6			RT1N237M-T111	TRANSISTOR	
Q7 -9			RT1N436M-T111	TRANSISTOR	
Q10			RT1P141M-T111	TRANSISTOR	
CD PLAYER UNIT (X32-6240-00/6260-01)					
C1			CK73FB0J106K	CHIP C 10UF K	M3E3

Ref.No.	A d d	N e w	Parts No.	Description	Dest inati on
C1 ,2			CK73GB1A105K	CHIP C 1.0UF K	E2
C1 ,2			CK73GB1A105K	CHIP C 1.0UF K	K1M1M2
C3			CC73GCH1H680J	CHIP C 68PF J	M3E3
C3			CK73GB1A474K	CHIP C 0.47UF K	E2
C3			CK73GB1A474K	CHIP C 0.47UF K	K1M1M2
C4			CK73GB1A105K	CHIP C 1.0UF K	M3E3
C4 -7			CK73GB1A105K	CHIP C 1.0UF K	E2
C4 -7			CK73GB1A105K	CHIP C 1.0UF K	K1M1M2
C6			CK73FB1C105K	CHIP C 1.0UF K	M3E3
C8			CK73GB1H222K	CHIP C 2200PF K	M3E3
C9			CK73GB1C104K	CHIP C 0.10UF K	E2
C9			CK73GB1C104K	CHIP C 0.10UF K	K1M1M2
C9 ,10			CK73GB1C104K	CHIP C 0.10UF K	M3E3
C11			CK73GB1H153K	CHIP C 0.015UF K	
C12			CK73GB1C104K	CHIP C 0.10UF K	M3E3
C12			CK73GB1H103K	CHIP C 0.010UF K	E2
C12			CK73GB1H103K	CHIP C 0.010UF K	K1M1M2
C13			CK73GB1H332K	CHIP C 3300PF K	M3E3
C14			CK73GB1H103K	CHIP C 0.010UF K	M3E3
C15			CK73GB1H333K	CHIP C 0.033UF K	M3E3
C16			CK73GB1C104K	CHIP C 0.10UF K	M3E3
C18			CK73GB1H153K	CHIP C 0.015UF K	M3E3
C19			CK73GB1H103K	CHIP C 0.010UF K	M3E3
C20			CK73GB1C104K	CHIP C 0.10UF K	M3E3
C21			CK73GB1H103K	CHIP C 0.010UF K	E2
C21			CK73GB1H103K	CHIP C 0.010UF K	K1M1M2
C22			CC73GCH1H220J	CHIP C 22PF J	E2
C22			CC73GCH1H220J	CHIP C 22PF J	K1M1M2
C22			CK73GB1H103K	CHIP C 0.010UF K	M3E3
C23			CC73GCH1H180J	CHIP C 18PF J	E2
C23			CC73GCH1H180J	CHIP C 18PF J	K1M1M2
C23			CK73GB1H153K	CHIP C 0.015UF K	M3E3
C24			CC73GCH1H470J	CHIP C 47PF J	M3E3
C24 ,25			CK73GB1H103K	CHIP C 0.010UF K	E2
C24 ,25			CK73GB1H103K	CHIP C 0.010UF K	K1M1M2
C25 -27			CK73GB1C104K	CHIP C 0.10UF K	M3E3
C26			CK73FB0J106K	CHIP C 10UF K	E2
C26			CK73FB0J106K	CHIP C 10UF K	K1M1M2
C27			CK73GB1A105K	CHIP C 1.0UF K	E2
C27			CK73GB1A105K	CHIP C 1.0UF K	K1M1M2
C28			CK73GB1H103K	CHIP C 0.010UF K	E2
C28			CK73GB1H103K	CHIP C 0.010UF K	K1M1M2
C29			CK73FB0J106K	CHIP C 10UF K	E2
C29			CK73FB0J106K	CHIP C 10UF K	K1M1M2
C29			CK73GB1A105K	CHIP C 1.0UF K	M3E3
C30			CK73GB1C104K	CHIP C 0.10UF K	M3E3
C30 -33			CK73GB1H103K	CHIP C 0.010UF K	E2
C30 -33			CK73GB1H103K	CHIP C 0.010UF K	K1M1M2
C31 ,32			CK73GB1A105K	CHIP C 1.0UF K	M3E3
C34 ,35			CC73GCH1H150J	CHIP C 15PF J	E2
C34 ,35			CC73GCH1H150J	CHIP C 15PF J	K1M1M2
C36			CK73GB1A105K	CHIP C 1.0UF K	M3E3
C36			CK73GB1H103K	CHIP C 0.010UF K	E2
C36			CK73GB1H103K	CHIP C 0.010UF K	K1M1M2
C37			CK73GB1A105K	CHIP C 1.0UF K	E2

E2: DPX404U **E3:** DPX304 (Europe) **K1:** DPX308U (North America)
M1: DPX-U5120 **M2:** DPX-U5120S **M3:** DPX-MP3120 (Other Areas)

▲ indicates safety critical components.

PARTS LIST

CD PLAYER UNIT (X32-6240-00/6260-01)

Ref.No.	A d d	N e w	Parts No.	Description	Dest inati on	Ref.No.	A d d	N e w	Parts No.	Description	Dest inati on
C37			CK73GB1A105K	CHIP C 1.0UF K	K1M1M2	C75 -77			CK73GB1C104K	CHIP C 0.10UF K	E2
C38			CK73GB1H103K	CHIP C 0.010UF K	E2	C75 -77			CK73GB1C104K	CHIP C 0.10UF K	K1M1M2
C38			CK73GB1H103K	CHIP C 0.010UF K	K1M1M2	C78			CK73GB1A105K	CHIP C 1.0UF K	E2
C41 ,42			CK73GB1C104K	CHIP C 0.10UF K	M3E3	C78			CK73GB1A105K	CHIP C 1.0UF K	K1M1M2
C43 ,44			CK73GB1H102K	CHIP C 1000PF K	M3E3	C79 -81			CK73GB1C104K	CHIP C 0.10UF K	E2
C45			CK73GB1C104K	CHIP C 0.10UF K	M3E3	C79 -81			CK73GB1C104K	CHIP C 0.10UF K	K1M1M2
C46			CK73GB1A105K	CHIP C 1.0UF K	M3E3	C83			CC73GCH1H470J	CHIP C 47PF J	E2
C47			CC73GCH1H560J	CHIP C 56PF J	M3E3	C83			CC73GCH1H470J	CHIP C 47PF J	K1M1M2
C48			CC73GCH1H101J	CHIP C 100PF J	M3E3	C84			CK73GB1H153K	CHIP C 0.015UF K	E2
C49			CK73GB1A474K	CHIP C 0.47UF K	M3E3	C84			CK73GB1H153K	CHIP C 0.015UF K	K1M1M2
C50			CK73FB1A225K	CHIP C 2.2UF K	M3E3	C85			CK73GB1A105K	CHIP C 1.0UF K	E2
C51			CK73FB0J106K	CHIP C 10UF K	M3E3	C85			CK73GB1A105K	CHIP C 1.0UF K	K1M1M2
C51			CK73GB1C104K	CHIP C 0.10UF K	E2	C86			CK73GB1H103K	CHIP C 0.010UF K	E2
C51			CK73GB1C104K	CHIP C 0.10UF K	K1M1M2	C86			CK73GB1H103K	CHIP C 0.010UF K	K1M1M2
C52			CK73GB1H222K	CHIP C 2200PF K	E2	C92			CK73FB1A225K	CHIP C 2.2UF K	E2
C52			CK73GB1H222K	CHIP C 2200PF K	K1M1M2	C92			CK73FB1A225K	CHIP C 2.2UF K	K1M1M2
C53			CK73FB1C105K	CHIP C 1.0UF K	E2	C93			CC73GCH1H101J	CHIP C 100PF J	E2
C53			CK73FB1C105K	CHIP C 1.0UF K	K1M1M2	C93			CC73GCH1H101J	CHIP C 100PF J	K1M1M2
C54			CK73FB0J106K	CHIP C 10UF K	M3E3	C94			CC73GCH1H560J	CHIP C 56PF J	E2
C54			CK73GB1H103K	CHIP C 0.010UF K	E2	C94			CC73GCH1H560J	CHIP C 56PF J	K1M1M2
C54			CK73GB1H103K	CHIP C 0.010UF K	K1M1M2	C101,102			CK73GB1H103K	CHIP C 0.010UF K	E2
C55			CK73GB1H332K	CHIP C 3300PF K	E2	C101,102			CK73GB1H103K	CHIP C 0.010UF K	K1M1M2
C55			CK73GB1H332K	CHIP C 3300PF K	K1M1M2	C113			CK73GB1C104K	CHIP C 0.10UF K	E2
C56			CK73GB1C104K	CHIP C 0.10UF K	E2	C113			CK73GB1C104K	CHIP C 0.10UF K	K1M1M2
C56			CK73GB1C104K	CHIP C 0.10UF K	K1M1M2	CN1			E41-2954-05	FLAT CABLE CONNECTOR	
C57			CK73GB1C104K	CHIP C 0.10UF K	M3E3	CN2			E41-2083-15	FLAT CABLE CONNECTOR	
C57			CK73GB1H153K	CHIP C 0.015UF K	E2	X1			L77-2964-05	CRYSTAL RESONATOR(9.00MHZ)	E2
C57			CK73GB1H153K	CHIP C 0.015UF K	K1M1M2	X1			L77-2964-05	CRYSTAL RESONATOR(9.00MHZ)	K1M1M2
C58			CK73GB1C104K	CHIP C 0.10UF K	E2	X1			L78-1221-05	RESONATOR (16.93MHZ)	M3E3
C58			CK73GB1C104K	CHIP C 0.10UF K	K1M1M2	X2			L77-2921-15	CRYSTAL RESONATOR(32.768KHZ, 1E2	
C59			CC73GCH1H680J	CHIP C 68PF J	E2	X2			L77-2921-15	CRYSTAL RESONATOR(32.768KHZ, 1K1M1M2	
C59			CC73GCH1H680J	CHIP C 68PF J	K1M1M2	X3			L78-1221-05	RESONATOR (16.93MHZ)	E2
C59			CK73GB1H472K	CHIP C 4700PF K	M3E3	X3			L78-1221-05	RESONATOR (16.93MHZ)	K1M1M2
C60			CK73GB1C224K	CHIP C 0.22UF K	M3E3	CP7 -9			RK74GB1J103J	CHIP-COM 10K J 1/16W	M3E3
C61			CK73GB1C104K	CHIP C 0.10UF K		CP10			RK74GA1J101J	CHIP-COM 100 J 1/16W	E2
C62			CK73FB0J106K	CHIP C 10UF K	E2	CP10			RK74GA1J101J	CHIP-COM 100 J 1/16W	K1M1M2
C62			CK73FB0J106K	CHIP C 10UF K	K1M1M2	CP11,12			RK74GB1J101J	CHIP-COM 100 J 1/16W	E2
C63			CK73GB1H333K	CHIP C 0.033UF K	E2	CP11,12			RK74GB1J101J	CHIP-COM 100 J 1/16W	K1M1M2
C63			CK73GB1H333K	CHIP C 0.033UF K	K1M1M2	CP15			RK74GB1J103J	CHIP-COM 10K J 1/16W	E2
C64			CK73GB1H472K	CHIP C 4700PF K	E2	CP15			RK74GB1J103J	CHIP-COM 10K J 1/16W	K1M1M2
C64			CK73GB1H472K	CHIP C 4700PF K	K1M1M2	CP22			RK74GB1J103J	CHIP-COM 10K J 1/16W	E2
C65			CK73GB1C104K	CHIP C 0.10UF K	E2	CP22			RK74GB1J103J	CHIP-COM 10K J 1/16W	K1M1M2
C65			CK73GB1C104K	CHIP C 0.10UF K	K1M1M2	R1			RK73GB2A560J	CHIP R 56 J 1/10W	M3E3
C66			CK73GB1H153K	CHIP C 0.015UF K	E2	R1 ,2			RK73EB2E4R7J	CHIP R 4.7 J 1/4W	E2
C66			CK73GB1H153K	CHIP C 0.015UF K	K1M1M2	R1 ,2			RK73EB2E4R7J	CHIP R 4.7 J 1/4W	K1M1M2
C67			CK73GB1H103K	CHIP C 0.010UF K	E2	R2			RK73GB2A472J	CHIP R 4.7K J 1/10W	M3E3
C67			CK73GB1H103K	CHIP C 0.010UF K	K1M1M2	R3			RK73GB2A202J	CHIP R 2.0K J 1/10W	E2
C68			CK73GB1C104K	CHIP C 0.10UF K	E2	R3			RK73GB2A202J	CHIP R 2.0K J 1/10W	K1M1M2
C68			CK73GB1C104K	CHIP C 0.10UF K	K1M1M2	R3			RK73GB2A4R7J	CHIP R 4.7 J 1/10W	M3E3
C69			CK73FB0J106K	CHIP C 10UF K	E2	R4			RK73GB2A103J	CHIP R 10K J 1/10W	E2
C69			CK73FB0J106K	CHIP C 10UF K	K1M1M2	R4			RK73GB2A103J	CHIP R 10K J 1/10W	K1M1M2
C71			CK73FB0J106K	CHIP C 10UF K	E2	R4			RK73GB2A104J	CHIP R 100K J 1/10W	M3E3
C71			CK73FB0J106K	CHIP C 10UF K	K1M1M2	R5			RK73GB2A225J	CHIP R 2.2M J 1/10W	M3E3
C73 ,74			CK73GB1H102K	CHIP C 1000PF K	E2						
C73 ,74			CK73GB1H102K	CHIP C 1000PF K	K1M1M2						

E2: DPX404U **E3:** DPX304 (Europe) **K1:** DPX308U (North America)
M1: DPX-U5120 **M2:** DPX-U5120S **M3:** DPX-MP3120 (Other Areas)


▲ indicates safety critical components.

PARTS LIST

CD PLAYER UNIT (X32-6240-00/6260-01)

Ref.No.	A d d	N e w	Parts No.	Description	Dest inati on	Ref.No.	A d d	N e w	Parts No.	Description	Dest inati on
R6			RK73GB2A102J	CHIP R 1.0K J 1/10W	M3E3	R48			RK73GB2A105J	CHIP R 1.0M J 1/10W	E2
R7			RK73GB2A221J	CHIP R 220 J 1/10W	M3E3	R48			RK73GB2A105J	CHIP R 1.0M J 1/10W	K1M1M2
R8			RK73GB2A622J	CHIP R 6.2K J 1/10W	M3E3	R49			RK73GB2A102J	CHIP R 1.0K J 1/10W	E2
R9			RK73GB2A913J	CHIP R 91K J 1/10W	M3E3	R49			RK73GB2A102J	CHIP R 1.0K J 1/10W	K1M1M2
R10			RK73GB2A000J	CHIP R 0.0 J 1/10W	E2	R49			RK73GB2A393J	CHIP R 39K J 1/10W	M3E3
R10			RK73GB2A000J	CHIP R 0.0 J 1/10W	K1M1M2	R50			RK73GB2A223J	CHIP R 22K J 1/10W	E2
R10			RK73GB2A334J	CHIP R 330K J 1/10W	M3E3	R50			RK73GB2A223J	CHIP R 22K J 1/10W	K1M1M2
R11			RK73GB2A153J	CHIP R 15K J 1/10W	M3E3	R50			RK73GB2A363J	CHIP R 36K J 1/10W	M3E3
R13			RK73GB2A333J	CHIP R 33K J 1/10W	M3E3	R51			RK73GB2A102J	CHIP R 1.0K J 1/10W	
R14			RK73GB2A103J	CHIP R 10K J 1/10W	M3E3	R52			RK73GB2A100J	CHIP R 10 J 1/10W	E2
R15			RK73GB2A183J	CHIP R 18K J 1/10W	M3E3	R52			RK73GB2A100J	CHIP R 10 J 1/10W	K1M1M2
R16			RK73GB2A472J	CHIP R 4.7K J 1/10W	M3E3	R52 -58			RK73GB2A101J	CHIP R 100 J 1/10W	M3E3
R17 ,18			RK73GB2A103J	CHIP R 10K J 1/10W	M3E3	R53			RK73GB2A153J	CHIP R 15K J 1/10W	E2
R19			RK73GB2A223J	CHIP R 22K J 1/10W	E2	R53			RK73GB2A153J	CHIP R 15K J 1/10W	K1M1M2
R19			RK73GB2A223J	CHIP R 22K J 1/10W	K1M1M2	R54			RK73GB2A100J	CHIP R 10 J 1/10W	E2
R19 ,20			RK73GB2A472J	CHIP R 4.7K J 1/10W	M3E3	R54			RK73GB2A100J	CHIP R 10 J 1/10W	K1M1M2
R21			RK73GB2A102J	CHIP R 1.0K J 1/10W	E2	R55			RK73GB2A153J	CHIP R 15K J 1/10W	E2
R21			RK73GB2A102J	CHIP R 1.0K J 1/10W	K1M1M2	R55			RK73GB2A153J	CHIP R 15K J 1/10W	K1M1M2
R21			RK73GB2A103J	CHIP R 10K J 1/10W	M3E3	R57			RK73GB2A223J	CHIP R 22K J 1/10W	E2
R23			RK73GB2A223J	CHIP R 22K J 1/10W	E2	R57			RK73GB2A223J	CHIP R 22K J 1/10W	K1M1M2
R23			RK73GB2A223J	CHIP R 22K J 1/10W	K1M1M2	R58 ,59			RK73GB2A101J	CHIP R 100 J 1/10W	E2
R24			RK73GB2A101J	CHIP R 100 J 1/10W	E2	R58 ,59			RK73GB2A101J	CHIP R 100 J 1/10W	K1M1M2
R24			RK73GB2A101J	CHIP R 100 J 1/10W	K1M1M2	R59			RK73GB2A204J	CHIP R 200K J 1/10W	M3E3
R25			RK73GB2A103J	CHIP R 10K J 1/10W	M3E3	R63			RK73GB2A223J	CHIP R 22K J 1/10W	E2
R25			RK73GB2A104J	CHIP R 100K J 1/10W	E2	R63			RK73GB2A223J	CHIP R 22K J 1/10W	K1M1M2
R25			RK73GB2A104J	CHIP R 100K J 1/10W	K1M1M2	R64			RK73GB2A223J	CHIP R 22K J 1/10W	M3E3
R26			RK73GB2A2R2J	CHIP R 2.2 J 1/10W	E2	R65			RK73GB2A333J	CHIP R 33K J 1/10W	M3E3
R26			RK73GB2A2R2J	CHIP R 2.2 J 1/10W	K1M1M2	R65 ,66			RK73GB2A332J	CHIP R 3.3K J 1/10W	E2
R27			RK73EB2E4R7J	CHIP R 4.7 J 1/4W	M3E3	R65 ,66			RK73GB2A332J	CHIP R 3.3K J 1/10W	K1M1M2
R27			RK73GB2A101J	CHIP R 100 J 1/10W	E2	R67 -69			RK73GB2A101J	CHIP R 100 J 1/10W	E2
R27			RK73GB2A101J	CHIP R 100 J 1/10W	K1M1M2	R67 -69			RK73GB2A101J	CHIP R 100 J 1/10W	K1M1M2
R28 ,29			RK73GB2A102J	CHIP R 1.0K J 1/10W	E2	R70			RK73GB2A223J	CHIP R 22K J 1/10W	E2
R28 ,29			RK73GB2A102J	CHIP R 1.0K J 1/10W	K1M1M2	R70			RK73GB2A223J	CHIP R 22K J 1/10W	K1M1M2
R29			RK73GB2A472J	CHIP R 4.7K J 1/10W	M3E3	R81 ,82			RK73GB2A101J	CHIP R 100 J 1/10W	E2
R30			RK73GB2A223J	CHIP R 22K J 1/10W	E2	R81 ,82			RK73GB2A101J	CHIP R 100 J 1/10W	K1M1M2
R30			RK73GB2A223J	CHIP R 22K J 1/10W	K1M1M2	R84			RK73GB2A101J	CHIP R 100 J 1/10W	E2
R31			RK73GB2A000J	CHIP R 0.0 J 1/10W	E2	R84			RK73GB2A101J	CHIP R 100 J 1/10W	K1M1M2
R31			RK73GB2A000J	CHIP R 0.0 J 1/10W	K1M1M2	R86			RK73GB2A101J	CHIP R 100 J 1/10W	E2
R33			RK73GB2A223J	CHIP R 22K J 1/10W	E2	R86			RK73GB2A101J	CHIP R 100 J 1/10W	K1M1M2
R33			RK73GB2A223J	CHIP R 22K J 1/10W	K1M1M2	R88			RK73GB2A101J	CHIP R 100 J 1/10W	E2
R36			RK73GB2A102J	CHIP R 1.0K J 1/10W	E2	R88			RK73GB2A101J	CHIP R 100 J 1/10W	K1M1M2
R36			RK73GB2A102J	CHIP R 1.0K J 1/10W	K1M1M2	R90 -94			RK73GB2A101J	CHIP R 100 J 1/10W	E2
R38			RK73GB2A102J	CHIP R 1.0K J 1/10W	E2	R90 -94			RK73GB2A101J	CHIP R 100 J 1/10W	K1M1M2
R38			RK73GB2A102J	CHIP R 1.0K J 1/10W	K1M1M2	R95 -98			RK73GB2A223J	CHIP R 22K J 1/10W	E2
R39			RK73GB2A105J	CHIP R 1.0M J 1/10W	M3E3	R95 -98			RK73GB2A223J	CHIP R 22K J 1/10W	K1M1M2
R40			RK73GB2A681J	CHIP R 680 J 1/10W	M3E3	R101			RK73GB2A221J	CHIP R 220 J 1/10W	E2
R41			RK73GB2A223J	CHIP R 22K J 1/10W	E2	R101			RK73GB2A221J	CHIP R 220 J 1/10W	K1M1M2
R41			RK73GB2A223J	CHIP R 22K J 1/10W	K1M1M2	R102			RK73GB2A4R7J	CHIP R 4.7 J 1/10W	E2
R43 ,44			RK73GB2A4R7J	CHIP R 4.7 J 1/10W	M3E3	R102			RK73GB2A4R7J	CHIP R 4.7 J 1/10W	K1M1M2
R44			RK73GB2A223J	CHIP R 22K J 1/10W	E2	R103			RK73GB2A102J	CHIP R 1.0K J 1/10W	E2
R44			RK73GB2A223J	CHIP R 22K J 1/10W	K1M1M2	R103			RK73GB2A102J	CHIP R 1.0K J 1/10W	K1M1M2
R45			RK73GB2A101J	CHIP R 100 J 1/10W	E2	R104			RK73GB2A225J	CHIP R 2.2M J 1/10W	E2
R45			RK73GB2A101J	CHIP R 100 J 1/10W	K1M1M2	R104			RK73GB2A225J	CHIP R 2.2M J 1/10W	K1M1M2
R47			RK73GB2A000J	CHIP R 0.0 J 1/10W	E2	R105			RK73GB2A104J	CHIP R 100K J 1/10W	E2
R47			RK73GB2A000J	CHIP R 0.0 J 1/10W	K1M1M2	R105			RK73GB2A104J	CHIP R 100K J 1/10W	K1M1M2

E2: DPX404U **E3:** DPX304 (Europe) **K1:** DPX308U (North America)
M1: DPX-U5120 **M2:** DPX-U5120S **M3:** DPX-MP3120 (Other Areas)

 indicates safety critical components.

PARTS LIST

CD PLAYER UNIT (X32-6240-00/6260-01)

Ref.No.	A d d w	N e w	Parts No.	Description	Dest inati on
R106			RK73GB2A472J	CHIP R 4.7K J 1/10W	E2
R106			RK73GB2A472J	CHIP R 4.7K J 1/10W	K1M1M2
R107			RK73GB2A560J	CHIP R 56 J 1/10W	E2
R107			RK73GB2A560J	CHIP R 56 J 1/10W	K1M1M2
R108			RK73GB2A333J	CHIP R 33K J 1/10W	E2
R108			RK73GB2A333J	CHIP R 33K J 1/10W	K1M1M2
R109			RK73GB2A622J	CHIP R 6.2K J 1/10W	E2
R109			RK73GB2A622J	CHIP R 6.2K J 1/10W	K1M1M2
R110			RK73GB2A913J	CHIP R 91K J 1/10W	E2
R110			RK73GB2A913J	CHIP R 91K J 1/10W	K1M1M2
R112,113			RK73GB2A4R7J	CHIP R 4.7 J 1/10W	E2
R112,113			RK73GB2A4R7J	CHIP R 4.7 J 1/10W	K1M1M2
R115			RK73GB2A105J	CHIP R 1.0M J 1/10W	E2
R115			RK73GB2A105J	CHIP R 1.0M J 1/10W	K1M1M2
R116			RK73GB2A681J	CHIP R 680 J 1/10W	E2
R116			RK73GB2A681J	CHIP R 680 J 1/10W	K1M1M2
R117-121			RK73GB2A103J	CHIP R 10K J 1/10W	E2
R117-121			RK73GB2A103J	CHIP R 10K J 1/10W	K1M1M2
R123			RK73GB2A104J	CHIP R 100K J 1/10W	E2
R123			RK73GB2A104J	CHIP R 100K J 1/10W	K1M1M2
R127			RK73GB2A153J	CHIP R 15K J 1/10W	E2
R127			RK73GB2A153J	CHIP R 15K J 1/10W	K1M1M2
R128			RK73GB2A334J	CHIP R 330K J 1/10W	E2
R128			RK73GB2A334J	CHIP R 330K J 1/10W	K1M1M2
R131			RK73GB2A204J	CHIP R 200K J 1/10W	E2
R131			RK73GB2A204J	CHIP R 200K J 1/10W	K1M1M2
R132			RK73GB2A101J	CHIP R 100 J 1/10W	E2
R132			RK73GB2A101J	CHIP R 100 J 1/10W	K1M1M2
R136			RK73GB2A363J	CHIP R 36K J 1/10W	E2
R136			RK73GB2A363J	CHIP R 36K J 1/10W	K1M1M2
R137			RK73GB2A223J	CHIP R 22K J 1/10W	E2
R137			RK73GB2A223J	CHIP R 22K J 1/10W	K1M1M2
R139			RK73GB2A393J	CHIP R 39K J 1/10W	E2
R139			RK73GB2A393J	CHIP R 39K J 1/10W	K1M1M2
R151			RK73GB2A333J	CHIP R 33K J 1/10W	E2
R151			RK73GB2A333J	CHIP R 33K J 1/10W	K1M1M2
R152			RK73GB2A223J	CHIP R 22K J 1/10W	E2
R152			RK73GB2A223J	CHIP R 22K J 1/10W	K1M1M2
R173-178			RK73GB2A2R2J	CHIP R 2.2 J 1/10W	E2
R173-178			RK73GB2A2R2J	CHIP R 2.2 J 1/10W	K1M1M2
R180			RK73GB2A102J	CHIP R 1.0K J 1/10W	E2
R180			RK73GB2A102J	CHIP R 1.0K J 1/10W	K1M1M2
S1 ,2			S68-0924-05	PUSH SWITCH	
D1			DAP202U	DIODE	E2
D1			DAP202U	DIODE	K1M1M2
D1			DA204U	DIODE	M3E3
D2			DAP202U	DIODE	M3E3
D2 ,3			DA204U	DIODE	E2
D2 ,3			DA204U	DIODE	K1M1M2
D3 ,4			DA204U	DIODE	M3E3
IC1			92CD28AFG7EG0	MICROCONTROLLER IC	E2
IC1			92CD28AFG7EG0	MICROCONTROLLER IC	K1M1M2
IC2		*	JCV8023	INTEGRATED CIRCUIT(MOS-IC)	E2

Ref.No.	A d d w	N e w	Parts No.	Description	Dest inati on
IC2		*	JCV8023	INTEGRATED CIRCUIT(MOS-IC)	K1M1M2
IC3			BD8222EFV	ANALOGUE IC	
IC4			MFI341S2162	MICROPROCESSOR IC	E2
IC4			MFI341S2162	MICROPROCESSOR IC	K1M1M2
IC4			TC94A92FG-001	MOS-IC	M3E3
IC5			XC6415S001P1	MOS-IC	M3E3
IC5			74AHCT08PW	MOS-IC	E2
IC5			74AHCT08PW	MOS-IC	K1M1M2
IC6			74LVC08APW	MOS-IC	E2
IC6			74LVC08APW	MOS-IC	K1M1M2
IC7			XC6415S001P1	MOS-IC	E2
IC7			XC6415S001P1	MOS-IC	K1M1M2
IC9			XC6219B332MR	ANALOGUE IC	E2
IC9			XC6219B332MR	ANALOGUE IC	K1M1M2
Q1			2SA2188-T1(E)	TRANSISTOR	M3E3
Q3			RUE003N02	FET	E2
Q3			RUE003N02	FET	K1M1M2
Q5			2SA1577	TRANSISTOR	E2
Q5			2SA1577	TRANSISTOR	K1M1M2
Q6			DTC114YUA	DIGITAL TRANSISTOR	E2
Q6			DTC114YUA	DIGITAL TRANSISTOR	K1M1M2
Q7			2SA2188-T1(E)	TRANSISTOR	E2
Q7			2SA2188-T1(E)	TRANSISTOR	K1M1M2
Q9			DTC144EUA	DIGITAL TRANSISTOR	E2
Q9			DTC144EUA	DIGITAL TRANSISTOR	K1M1M2
Q10 -12			UM6K1N	DUAL FET	M3E3
Q13			DTC114YUA	DIGITAL TRANSISTOR	M3E3
Q14			RJU003N03	FET	M3E3
ELECTRIC UNIT (X34-700x-xx)					
C13			CD04AZ1C332M2	ELECTRO 3300UF 16WV	
C20			CD04AR1C221M	ELECTRO 220UF 16WV	
C21			CK73GB1A105K	CHIP C 1.0UF K	
C22			CC73GCH1H470J	CHIP C 47PF J	
C23			CC73GCH1H102J	CHIP C 1000PF J	
C30			CD04AS1C101M	ELECTRO 100UF 16WV	
C31			CK73FB0J106K	CHIP C 10UF K	
C33			C90-6851-05	ELECTRO 220UF 25WV	
C41			CK73GB1C104K	CHIP C 0.10UF K	
C42			CK73GB1A105K	CHIP C 1.0UF K	
C52			CD04AS1C220M	ELECTRO 22UF 16WV	
C54			CK73GB1C104K	CHIP C 0.10UF K	
C71			CK73FB0J106K	CHIP C 10UF K	E2
C71			CK73FB0J106K	CHIP C 10UF K	K1M1M2
C72			CK73GB1C104K	CHIP C 0.10UF K	E2
C72			CK73GB1C104K	CHIP C 0.10UF K	K1M1M2
C73			CK73GB1A474K	CHIP C 0.47UF K	E2
C73			CK73GB1A474K	CHIP C 0.47UF K	K1M1M2
C74			CK73EB1H475K	CHIP C 4.7UF K	E2
C74			CK73EB1H475K	CHIP C 4.7UF K	K1M1M2
C75			CK73GB1H102K	CHIP C 1000PF K	E2
C75			CK73GB1H102K	CHIP C 1000PF K	K1M1M2
C76 ,77			CK73GB1H104K	CHIP C 0.10UF K	E2
C76 ,77			CK73GB1H104K	CHIP C 0.10UF K	K1M1M2
C78			CK73GB1C104K	CHIP C 0.10UF K	E2

E2: DPX404U **E3:** DPX304 (Europe) **K1:** DPX308U (North America)
M1: DPX-U5120 **M2:** DPX-U5120S **M3:** DPX-MP3120 (Other Areas)

▲ indicates safety critical components.

PARTS LIST

ELECTRIC UNIT (X34-700x-xx)

Ref.No.	A d d	N e w	Parts No.	Description	Dest inati on	Ref.No.	A d d	N e w	Parts No.	Description	Dest inati on
C78			CK73GB1C104K	CHIP C 0.10UF K	K1M1M2	C512-514			CK73GB1H103K	CHIP C 0.010UF K	
C79			CC73GCH1H220J	CHIP C 22PF J	E2	C515			CK73GB1H104K	CHIP C 0.10UF K	
C79			CC73GCH1H220J	CHIP C 22PF J	K1M1M2	C516			CK73GB1H103K	CHIP C 0.010UF K	
C81,82			CK73GB1H103K	CHIP C 0.010UF K		C517			CK73GB1H104K	CHIP C 0.10UF K	
C83			CK73GB1A105K	CHIP C 1.0UF K	E2	C518			CK73GB1H102K	CHIP C 1000PF K	
C83			CK73GB1A105K	CHIP C 1.0UF K	K1M1M2	C519			CD04AB1C470M	ELECTRO 47UF 16WV	
C100			CK73GB1H104K	CHIP C 0.10UF K		C520			CK73GB1H104K	CHIP C 0.10UF K	
C101			CK73GB1A105K	CHIP C 1.0UF K		C523			CK73GB1H102K	CHIP C 1000PF K	
C102			CK73FB1A335K	CHIP C 3.3UF K		C524			CK73GB1C224K	CHIP C 0.22UF K	
C121			CK73GB1A105K	CHIP C 1.0UF K		C525			CC73GCH1H270J	CHIP C 27PF J	
C122			CK73GB1H223K	CHIP C 0.022UF K		C527			CC73GCH1H150J	CHIP C 15PF J	
C123			CK73GB1H103K	CHIP C 0.010UF K		C528			CC73GCH1H471J	CHIP C 470PF J	
C143			CK73GB1C104K	CHIP C 0.10UF K	E2	C530			CK73GB1H102K	CHIP C 1000PF K	
C143			CK73GB1C104K	CHIP C 0.10UF K	K1M1M2	C531			CC73GCH1H070D	CHIP C 7.0PF D	
C144			CD04BR1C221M	ELECTRO 220UF 16WV	E2	C532			CC73GCH1H060D	CHIP C 6.0PF D	
C144			CD04BR1C221M	ELECTRO 220UF 16WV	K1M1M2	C533			CC73GCH1H020C	CHIP C 2.0PF C	
C162			CC73GCH1H030C	CHIP C 3.0PF C		C700			CK73FB1C105K	CHIP C 1.0UF K	
C200			CK73FB1C105K	CHIP C 1.0UF K		C702			CD04AS0J470M	ELECTRO 47UF 6.3WV	
C203			CD04BA1C100M	ELECTRO 10UF 16WV		C704			CK73FB1C105K	CHIP C 1.0UF K	
C204			CK73GB1C224K	CHIP C 0.22UF K		C709			CC73GCH1H101J	CHIP C 100PF J	
C205			CK73GB1H103K	CHIP C 0.010UF K		C710			CC73GCH1H470J	CHIP C 47PF J	K1
C206			CK73GB1C224K	CHIP C 0.22UF K		CN160	*	E41-1849-05	FLAT CABLE CONNECTOR		
C211			CK73GB1C224K	CHIP C 0.22UF K		CN700	*	E41-3256-05	PIN ASSY		
C212			CK73GB1H103K	CHIP C 0.010UF K		J3		E58-0991-05	RECTANGULAR RECEPTACLE		
C213			CK73GB1C224K	CHIP C 0.22UF K		J401		E63-0973-05	PIN JACK (2PRE)	E2	
C215			CK73FB1C105K	CHIP C 1.0UF K		J401		E63-0973-05	PIN JACK (2PRE)	K1M1M2	
C217			CK73GB1A105K	CHIP C 1.0UF K		J401		E63-0974-05	PIN JACK (1PRE)	M3E3	
C300			CK73GB1C104K	CHIP C 0.10UF K		W551		E30-6438-05	CORD WITH PLUG (ANT)		
C301,302			CC73GCH1H220J	CHIP C 22PF J		F20		F53-0280-05	FUSE (0.63A)		
C304,305			CK73GB1C104K	CHIP C 0.10UF K		F30		F53-0298-05	FUSE(UL,CSA) (0.25A)		
C306,307			CK73GB1H103K	CHIP C 0.010UF K		F50		F53-0298-05	FUSE(UL,CSA) (0.25A)		
C308			CK73GB1C104K	CHIP C 0.10UF K		L1		L33-2459-05	CHOKE COIL ASSY		
C312			CK73GB1H103K	CHIP C 0.010UF K		L70		L92-0662-05	CHIP FERRITE	E2	
C330-332			CC73GCH1H471J	CHIP C 470PF J		L70		L92-0662-05	CHIP FERRITE	K1M1M2	
C333,334			CC73GCH1H330J	CHIP C 33PF J		L71		L33-2462-05	SMALL FIXED INDUCTOR	E2	
C400			CD04AB1V100M	ELECTRO 10UF 35WV		L71		L33-2462-05	SMALL FIXED INDUCTOR	K1M1M2	
C401,402			CC73GCH1H102J	CHIP C 1000PF J		L72		L92-0655-05	CHIP FERRITE	E2	
C403			CD04AB1V100M	ELECTRO 10UF 35WV	M3E3	L72		L92-0655-05	CHIP FERRITE	K1M1M2	
C403,404			CD04AB1V100M	ELECTRO 10UF 35WV	E2	L73		L92-0365-05	CHIP FERRITE	E2	
C403,404			CD04AB1V100M	ELECTRO 10UF 35WV	K1M1M2	L73		L92-0365-05	CHIP FERRITE	K1M1M2	
C405,406			CC73GCH1H102J	CHIP C 1000PF J	E2	L420,421		L92-0648-05	CHIP FERRITE		
C405,406			CC73GCH1H102J	CHIP C 1000PF J	K1M1M2	L422		L40-4791-58	SMALL FIXED INDUCTOR		
C407			CD04AB1V100M	ELECTRO 10UF 35WV	E2	L501		L40-4791-58	SMALL FIXED INDUCTOR		
C407			CD04AB1V100M	ELECTRO 10UF 35WV	K1M1M2	L502,503		L33-1031-05	SMALL FIXED INDUCTOR		
C420-423			CK73GB1A105K	CHIP C 1.0UF K		L504		L40-2781-58	SMALL FIXED INDUCTOR(0.27U)		
C431			CD04AB1H010M	ELECTRO 1.0UF 50WV		L505		L40-4791-58	SMALL FIXED INDUCTOR		
C432			CK73GB1C104K	CHIP C 0.10UF K		L506		L40-4781-58	SMALL FIXED INDUCTOR		
C433			CD04AB1C470M	ELECTRO 47UF 16WV		L507		L40-1891-58	SMALL FIXED INDUCTOR(1.8U)		
C434,435			CD04AB1HR47M	ELECTRO 0.47UF 50WV		L508		L40-4781-58	SMALL FIXED INDUCTOR		
C501			CK73GB1H102K	CHIP C 1000PF K		L509		L92-0607-05	CHIP FERRITE	K1	
C502			CK73GB1A105K	CHIP C 1.0UF K		L509		L92-0609-05	CHIP FERRITE	M1M2E2	
C505			CK73GB1C224K	CHIP C 0.22UF K		L509		L92-0609-05	CHIP FERRITE		
C506			CK73GB1H104K	CHIP C 0.10UF K		L509		L92-0609-05	CHIP FERRITE		
C507			CC73GCH1H090D	CHIP C 9.0PF D		L551		L92-0609-05	CHIP FERRITE	M3E3	
C509-511			CK73GB1A105K	CHIP C 1.0UF K		L551		QQR1872-001	RF COIL		

E2: DPX404U **E3:** DPX304 (Europe) **K1:** DPX308U (North America)
M1: DPX-U5120 **M2:** DPX-U5120S **M3:** DPX-MP3120 (Other Areas)

▲ indicates safety critical components.

PARTS LIST

ELECTRIC UNIT (X34-700x-xx)

Ref.No.	A d d w	N e w	Parts No.	Description	Dest inati on	Ref.No.	A d d w	N e w	Parts No.	Description	Dest inati on
X302			L78-0872-05	RESONATOR (12MHZ)		R88 -90			RK73EB2E102J	CHIP R 1.0K J 1/4W	
X303			L77-2921-15	CRYSTAL RESONATOR(32.768KHZ, 1		R100,101			RK73PB2H561J	CHIP R 560 J 1/2W	
X501			L77-3824-05	CRYSTAL RESONATOR(4.000MHZ)		R102			RK73GB2A223J	CHIP R 22K J 1/10W	
C	2C		N83-3005-48	PAN HEAD TAPTITE SCREW		R103,104			RK73PB2H561J	CHIP R 560 J 1/2W	
G	2D		N80-3008-48	PAN HEAD TAPTITE SCREW		R105			RK73FB2B472J	CHIP R 4.7K J 1/8W	
CP1			RK74HB1J101J	CHIP-COM 100 J 1/16W		R106			RK73GB2A223J	CHIP R 22K J 1/10W	M1M2K1
CP2 ,3			RK74HB1J471J	CHIP-COM 470 J 1/16W		R106			RK73GB2A223J	CHIP R 22K J 1/10W	M3
CP9			RK74HB1J101J	CHIP-COM 100 J 1/16W		R107			RK73GB2A000J	CHIP R 0.0 J 1/10W	E2E3
CP11-13			RK74GA1J101J	CHIP-COM 100 J 1/16W		R108,109			RK73PB2H221J	CHIP R 220 J 1/2W	M1M2K1
CP14			RK74GA1J102J	CHIP-COM 1.0K J 1/16W	M3E3	R108,109			RK73PB2H221J	CHIP R 220 J 1/2W	M3
CP15			RK74HB1J102J	CHIP-COM 1.0K J 1/16W		R110			RK73FB2B472J	CHIP R 4.7K J 1/8W	
R1			RK73EB2E471J	CHIP R 470 J 1/4W		R120,121			RK73GB2A104J	CHIP R 100K J 1/10W	
R2 ,3			RK73EB2E103J	CHIP R 10K J 1/4W		R122			RK73GB2A473J	CHIP R 47K J 1/10W	
R20			RK73GH2A362D	CHIP R 3.6K D 1/10W		R141			RK73GB2A223J	CHIP R 22K J 1/10W	E2
R21			RK73GH2A562D	CHIP R 5.6K D 1/10W		R141			RK73GB2A223J	CHIP R 22K J 1/10W	K1M1M2
R22			RK73GB2A561J	CHIP R 560 J 1/10W		R160-162			RK73GB2A000J	CHIP R 0.0 J 1/10W	M3E3
R23			RK73GB2A201J	CHIP R 200 J 1/10W		R163,164			RK73GB2A000J	CHIP R 0.0 J 1/10W	E2
R24			RK73GB2A432J	CHIP R 4.3K J 1/10W		R163,164			RK73GB2A000J	CHIP R 0.0 J 1/10W	K1M1M2
R25			RK73GB2A152J	CHIP R 1.5K J 1/10W		R165			RK73GB2A100J	CHIP R 10 J 1/10W	
R26			RK73GB2A103J	CHIP R 10K J 1/10W		R200			RK73GB2A473J	CHIP R 47K J 1/10W	
R27			RK73GB2A4R7J	CHIP R 4.7 J 1/10W		R209			RK73GB2A000J	CHIP R 0.0 J 1/10W	
R30			RK73FB2B103J	CHIP R 10K J 1/8W		R211			RK73GB2A100JH	CHIP R 10 J 1/10W	
R31			RK73GB2A223J	CHIP R 22K J 1/10W		R212			RK73GB2A432J	CHIP R 4.3K J 1/10W	
R33			RK73FB2B123J	CHIP R 12K J 1/8W		R213			RK73GB2A331J	CHIP R 330 J 1/10W	
R34 ,35			RK73GB2A221J	CHIP R 220 J 1/10W		R214			RK73GB2A473J	CHIP R 47K J 1/10W	
R36			RK73GB2A000J	CHIP R 0.0 J 1/10W	M3E3	R300			RK73GB2A104J	CHIP R 100K J 1/10W	
R40			RK73GB2A473J	CHIP R 47K J 1/10W		R301			RK73GB2A473J	CHIP R 47K J 1/10W	
R41			RK73FB2B152J	CHIP R 1.5K J 1/8W		R302			RK73GB2A103J	CHIP R 10K J 1/10W	
R42 ,43			RK73GB2A221J	CHIP R 220 J 1/10W		R303			RK73GB2A101J	CHIP R 100 J 1/10W	
R44			RS14KB3DR22J	FL-PROOF RS 0.22 J 2W		R304,305			RK73GB2A472J	CHIP R 4.7K J 1/10W	
R45			RK73GB2A471J	CHIP R 470 J 1/10W		R306			RK73GB2A000J	CHIP R 0.0 J 1/10W	
R46 ,47			RK73GB2A473J	CHIP R 47K J 1/10W		R307			RK73GB2A102J	CHIP R 1.0K J 1/10W	
R48			RK73GB2A104J	CHIP R 100K J 1/10W		R308			RK73GB2A222J	CHIP R 2.2K J 1/10W	
R49			RK73GB2A103J	CHIP R 10K J 1/10W		R309			RK73GB2A104J	CHIP R 100K J 1/10W	
R50			RK73GB2A221J	CHIP R 220 J 1/10W		R316			RK73GB2A223J	CHIP R 22K J 1/10W	K1
R51			RK73GB2A473J	CHIP R 47K J 1/10W		R316			RK73GB2A473J	CHIP R 47K J 1/10W	E2E3
R52			RK73FB2B152J	CHIP R 1.5K J 1/8W		R318			RK73GB2A104J	CHIP R 100K J 1/10W	
R53			RK73GB2A221J	CHIP R 220 J 1/10W		R319			RK73GB2A473J	CHIP R 47K J 1/10W	M1M2K1
R54			RK73GB2A103J	CHIP R 10K J 1/10W		R319			RK73GB2A473J	CHIP R 47K J 1/10W	M3
R71			RK73GH2A823D	CHIP R 82K D 1/10W	E2	R320			RK73GB2A101J	CHIP R 100 J 1/10W	
R71			RK73GH2A823D	CHIP R 82K D 1/10W	K1M1M2	R321,322			RK73GB2A471J	CHIP R 470 J 1/10W	
R72			RK73GH2A133D	CHIP R 13K D 1/10W	E2	R323			RK73GB2A104J	CHIP R 100K J 1/10W	
R72			RK73GH2A133D	CHIP R 13K D 1/10W	K1M1M2	R325			RK73GB2A104J	CHIP R 100K J 1/10W	
R73			RK73GH2A153D	CHIP R 15K D 1/10W	E2	R326			RK73GB2A473J	CHIP R 47K J 1/10W	M3E3
R73			RK73GH2A153D	CHIP R 15K D 1/10W	K1M1M2	R326,327			RK73GB2A473J	CHIP R 47K J 1/10W	E2
R74 -76			RK73GB2A103J	CHIP R 10K J 1/10W	E2	R326,327			RK73GB2A473J	CHIP R 47K J 1/10W	K1M1M2
R74 -76			RK73GB2A103J	CHIP R 10K J 1/10W	K1M1M2	R329			RK73GB2A102J	CHIP R 1.0K J 1/10W	M3E3
R80 ,81			RK73GB2A103J	CHIP R 10K J 1/10W		R330,331			RK73GB2A222J	CHIP R 2.2K J 1/10W	
R82			RK73GB2A183J	CHIP R 18K J 1/10W		R332			RK73GB2A472J	CHIP R 4.7K J 1/10W	E2
R83			RK73GB2A104J	CHIP R 100K J 1/10W		R332			RK73GB2A472J	CHIP R 4.7K J 1/10W	K1M1M2
R84			RK73FB2B203J	CHIP R 20K J 1/8W		R332,333			RK73GB2A472J	CHIP R 4.7K J 1/10W	M3E3
R85			RK73EB2E473J	CHIP R 47K J 1/4W		R334,335			RK73GB2A473J	CHIP R 47K J 1/10W	E2
R86			RK73EB2E683J	CHIP R 68K J 1/4W		R334,335			RK73GB2A473J	CHIP R 47K J 1/10W	K1M1M2
R87			RK73EB2E473J	CHIP R 47K J 1/4W		R335			RK73GB2A473J	CHIP R 47K J 1/10W	M3E3
						R336			RK73GB2A222J	CHIP R 2.2K J 1/10W	

E2: DPX404U **E3:** DPX304 (Europe) **K1:** DPX308U (North America)
M1: DPX-U5120 **M2:** DPX-U5120S **M3:** DPX-MP3120 (Other Areas)

▲ indicates safety critical components.

PARTS LIST

ELECTRIC UNIT (X34-700x-xx)

Ref.No.	A d d	N e w	Parts No.	Description	Dest inati on	Ref.No.	A d d	N e w	Parts No.	Description	Dest inati on
R337			RK73GB2A102J	CHIP R 1.0K J 1/10W		IC70			LT3685EMSE	ANALOGUE IC	E2
R338			RK73GB2A473J	CHIP R 47K J 1/10W		IC70			LT3685EMSE	ANALOGUE IC	K1M1M2
R339			RK73GB2A222J	CHIP R 2.2K J 1/10W		IC140			BD6538G	MOS-IC	E2
R340			RK73GB2A101J	CHIP R 100 J 1/10W		IC140			BD6538G	MOS-IC	K1M1M2
R341			RK73GB2A473J	CHIP R 47K J 1/10W		IC200			TB2926HQ	ANALOGUE IC	
R342			RK73GB2A104J	CHIP R 100K J 1/10W		IC300			XC6120N362N-G	MOS-IC	
R344			RK73GB2A101J	CHIP R 100 J 1/10W		IC301			W05-1738-00	MICROCONTROLLER IC	K1M1M2
R345,346			RK73GB2A472J	CHIP R 4.7K J 1/10W		IC301			W05-1738-00	MICROCONTROLLER IC	E2
R349			RK73GB2A473J	CHIP R 47K J 1/10W		IC301			W05-1739-00	MICROCONTROLLER IC	E3M3
R350			RK73GB2A101J	CHIP R 100 J 1/10W		IC302			TC7W02FU-F	MOS-IC	
R351			RK73GB2A473J	CHIP R 47K J 1/10W	M3E3	IC420			E-TDA7718N	ANALOGUE IC	
R400			RK73FB2B101J	CHIP R 100 J 1/8W		IC501			TEF6614TV1S3-X	INTEGRATED CIRCUIT(ANALOGUE)	E2E3
R401			RK73GB2A331J	CHIP R 330 J 1/10W		IC501			TEF6614TV1S4-X	INTEGRATED CIRCUIT(ANALOGUE)	M1M2K1
R402,403			RK73GB2A223J	CHIP R 22K J 1/10W		IC501			TEF6614TV1S4-X	INTEGRATED CIRCUIT(ANALOGUE)	M3
R404			RK73FB2B101J	CHIP R 100 J 1/8W		Q21		*	2SAR533D	TRANSISTOR	
R405			RK73GB2A331J	CHIP R 330 J 1/10W		Q22 -24			2SA1576A	TRANSISTOR	
R406			RK73FB2B101J	CHIP R 100 J 1/8W	E2	Q25			2SC4081	TRANSISTOR	
R406			RK73FB2B101J	CHIP R 100 J 1/8W	K1M1M2	Q26			RT1N241M-T111	TRANSISTOR	
R407			RK73GB2A331J	CHIP R 330 J 1/10W	E2	Q30			2SA1576A	TRANSISTOR	
R407			RK73GB2A331J	CHIP R 330 J 1/10W	K1M1M2	Q31			RT1N241M-T111	TRANSISTOR	
R408,409			RK73GB2A223J	CHIP R 22K J 1/10W	E2	Q32			2SC4081	TRANSISTOR	
R408,409			RK73GB2A223J	CHIP R 22K J 1/10W	K1M1M2	Q33			KTA1046-P	TRANSISTOR	
R410			RK73FB2B101J	CHIP R 100 J 1/8W	E2	Q40			2SC4081	TRANSISTOR	
R410			RK73FB2B101J	CHIP R 100 J 1/8W	K1M1M2	Q41			KTA1046-P	TRANSISTOR	
R411			RK73GB2A331J	CHIP R 330 J 1/10W	E2	Q42			RT1P241M-T111	TRANSISTOR	
R411			RK73GB2A331J	CHIP R 330 J 1/10W	K1M1M2	Q44 -47			2SC4081	TRANSISTOR	
R422			RK73GB2A103J	CHIP R 10K J 1/10W		Q50			2SC4081	TRANSISTOR	
R505			RK73GB2A472J	CHIP R 4.7K J 1/10W		Q51		*	2SAR533D	TRANSISTOR	
R506			RK73EB2E220J	CHIP R 22 J 1/4W		Q52			RT1P241M-T111	TRANSISTOR	
R507,508			RK73GB2A221J	CHIP R 220 J 1/10W		Q53			RT1N241M-T111	TRANSISTOR	
R513,514			RK73GB2A684J	CHIP R 680K J 1/10W		Q80 -82			2SC4081	TRANSISTOR	
R515,516			RK73GB2A392J	CHIP R 3.9K J 1/10W		Q100			RT1N144M-T111	TRANSISTOR	
R700			RK73GB2A103J	CHIP R 10K J 1/10W		Q101			RT1P141M-T111	TRANSISTOR	
R701			RK73GB2A223J	CHIP R 22K J 1/10W		Q102			2SA1576A	TRANSISTOR	
W202			R92-2053-05	CHIP R 0 OHM J 1/8W		Q103			2SB1188(Q,R)	TRANSISTOR	E2E3
D1			UDZW6.2(B)	ZENER DIODE		Q103,104			2SB1188(Q,R)	TRANSISTOR	M1M2K1
D2			S2V60-5009F46	DIODE		Q103,104			2SB1188(Q,R)	TRANSISTOR	M3
D21			1SS355	DIODE		Q105			RT1N144M-T111	TRANSISTOR	M1M2K1
D22			UDZW5.1(B)	ZENER DIODE		Q105			RT1N144M-T111	TRANSISTOR	M3
D30			UDZW5.6(B)	ZENER DIODE		Q120			RT1N441M-T111	TRANSISTOR	
D31			1SR154-400	DIODE		Q400-403			RT1N430M-T111	TRANSISTOR	E2
D40			UDZW8.2(B)	ZENER DIODE		Q400-403			RT1N430M-T111	TRANSISTOR	K1M1M2
D50			1SS355	DIODE		Q400,401			RT1N430M-T111	TRANSISTOR	M3E3
D51			UDZW10(B)	ZENER DIODE		Q404			RT1P241M-T111	TRANSISTOR	
D70			CMS14	DIODE	E2	Q700			RT1N241M-T111	TRANSISTOR	
D70			CMS14	DIODE	K1M1M2	Q701			2SA1576A	TRANSISTOR	
D80			UDZW6.2(B)	ZENER DIODE		CD MECHANISM ASSY (X92-6320-00) (DXM-9B10W)					
D81 ,82			UDZW6.8(B)	ZENER DIODE		CD MECHANISM ASSY (X92-6360-04) (DXM-9B34W)					
D100			1SS355	DIODE		1	2B		A10-5450-63	CHASSIS ASSY	
D101-104			1SR154-400	DIODE		3	3B		A10-5452-41	CHASSIS	
						4	1B		A10-5453-32	CHASSIS	
D120			UDZW4.7(B)	ZENER DIODE		12	3A *		D10-4993-62	LEVER	
D203			DAP202U	DIODE		13	1B		D10-4991-22	ARM	
D401			DAP202U	DIODE		14	1B *		D10-4992-23	ARM	
D421			DAP202U	DIODE		15	2A		D10-4994-02	SLIDER	
D700-702			UDZW6.8(B)	ZENER DIODE							

E2: DPX404U **E3:** DPX304 (Europe) **K1:** DPX308U (North America)
M1: DPX-U5120 **M2:** DPX-U5120S **M3:** DPX-MP3120 (Other Areas)


▲ indicates safety critical components.

PARTS LIST

CD MECHANISM ASSY (X92-6320-00) (DXM-9B10W)
 CD MECHANISM ASSY (X92-6360-04) (DXM-9B34W)

Ref.No.	A d d	N e w	Parts No.	Description	Dest inati on	Ref.No.	A d d	N e w	Parts No.	Description	Dest inati on
16	2A		D10-4995-03	SLIDER		DM1	2B		X94-2090-00	SPINDLE MOTOR ASSY	
17	2B		D10-4996-02	SLIDER		DM2	2B		X94-2100-00	FEED MOTOR ASSY (LOAD/SLED)	
18	2A		D10-4997-03	LEVER		DPU1	2B		X93-2280-00	OPTICAL PICKUP ASSY	
19	1A		D10-4998-03	ARM							
20	2A		D10-4999-03	ARM							
21	2A		D10-7001-03	ARM							
22	2A		D10-7002-03	ARM							
23	2A		D10-7003-03	ARM							
24	2A		D13-2445-04	GEAR							
25	2A		D13-2446-04	GEAR							
27	2A		D13-2448-04	GEAR							
28	2A		D13-2449-04	GEAR							
29	2A		D13-2450-04	GEAR							
30	2A		D13-2451-04	GEAR							
31	2A		D13-2452-04	GEAR							
32	2A		D13-2453-04	GEAR							
33	2A		D13-2454-04	GEAR							
34	2A		D13-2455-04	GEAR							
35	2B		D13-2456-03	RACK (GEAR)							
36	2A		D14-1028-04	ROLLER							
37	3A		D21-2507-04	SHAFT							
38	2B		D21-2508-04	SHAFT							
39	3A		D23-0963-04	RETAINER							
40	3B		D39-0277-15	DAMPER							
41	3B		D39-0278-15	DAMPER							
46	1B		G01-4682-34	TORSION COIL SPRING							
47	3A		G01-4756-04	EXTENSION SPRING							
48	2A		G01-4684-04	EXTENSION SPRING							
49	2B		G01-4685-04	EXTENSION SPRING							
50	1B		G01-4686-14	EXTENSION SPRING							
51	3A		G01-4688-14	EXTENSION SPRING							
52	3A		G01-4692-24	TORSION COIL SPRING							
54	3A		G02-1588-04	FLAT SPRING							
55	1B		G13-1297-04	CUSHION (CLAMPER CUSSIO							
56	1B		G13-1299-14	CUSHION (STROKE CUSHION							
57	1A		G16-1715-04	SHEET							
61	1B		J11-0675-03	CLAMPER							
64	2A		J19-7210-21	HOLDER							
65	2B		J19-7225-04	HOLDER							
66	1B		J22-0706-03	MOUNTING HARDWARE							
67	1A		J22-0707-12	MOUNTING HARDWARE							
68	1B		J90-1166-11	GUIDE							
69	2B		J90-1168-03	RAIL							
A	1A		N09-6108-15	TAPTITE SCREW (M2X3.5)							
B	2B		N09-6426-15	MACHINE SCREW (LOAD ARM SCREW							
C	2B		N09-6735-05	TAPTITE SCREW (PICK SCREW)							
D	2B		N09-6737-15	MACHINE SCREW (SHAFT SCREW)							
E	2B		N09-6738-15	TAPTITE SCREW (GEAR SCREW)							
F	2A		N19-2335-14	FLAT WASHER							
G	2B		N35-2003-48	BINDING HEAD MACHINE SCREW							
H	2B		N39-1720-48	PAN HEAD MACHINE SCREW							
76	2A		S68-0921-05	PUSH SWITCH							

E2: DPX404U **E3:** DPX304 (Europe) **K1:** DPX308U (North America)
M1: DPX-U5120 **M2:** DPX-U5120S **M3:** DPX-MP3120 (Other Areas)

 indicates safety critical components.