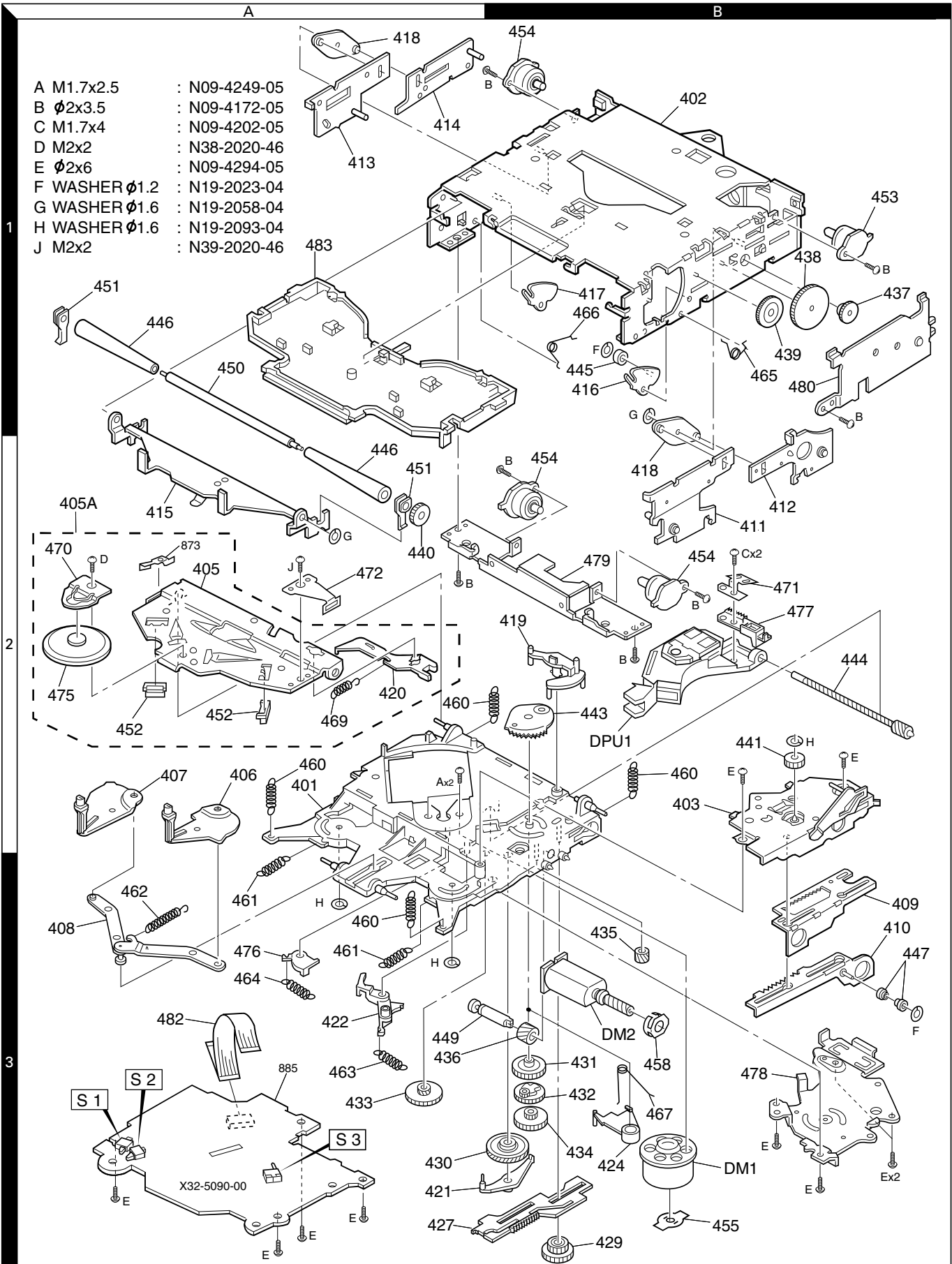


KDC-Z828,Z828

EXPLODED VIEW (MECHANISM)



Parts with the exploded numbers larger than 700 are not supplied.

KDC-Z828,Z828

PARTS LIST

*New Parts

Parts without **Parts No.** are not supplied.

Les articles non mentionnes dans le **Parts No.** ne sont pas fournis.

Teile ohne **Parts No.** werden nicht geliefert.

Ref. No.	A d d	N e w	Parts No.	Description	De s t i n a
KDC-Z828/Z828					
200	1C	*	A02-2711-08	PLASTIC CABINET ASSY	
201	2C	*	A22-2928-08	SUB PANEL ASSY	
M					
201	2C	*	A22-2936-08	SUB PANEL ASSY	K
203	3C	*	A46-1744-08	REAR COVER	
204	1D	*	A52-0800-08	TOP PLATE	
PA1	3C	*	A64-2473-08	PANEL(FRONT)ASSY	
M					
PA1	3C	*	A64-2625-08	PANEL(FRONT)ASSY	K
RM1	1C	*	A70-0894-05	REMOTE CONTROLLER ASSY(RC-520)	
205	3C	*	B07-3038-08	ESCUTCHEON	
M					
205	3C	*	B07-3048-08	ESCUTCHEON	K
206	3C	*	B07-3036-08	DECORATION(SRC)ASSY	
207	3C	*	B10-4200-08	FRONT GLASS ASSY	K
207	3C	*	B10-4201-08	FRONT GLASS ASSY	
M					
208	3C	*	B19-2126-08	LIGHTING BOARD	
-			B46-0100-50	WARRANTY CARD	
-			B46-0606-04	ID CARD	K
-			B46-0612-14	ID CARD	
M					
-		*	B64-2011-00	INSTRUCTION MANUAL (ENGLISH)	K
-		*	B64-2012-00	INSTRUCTION MANUAL (ENG.CHI.)	M
-		*	B64-2013-00	INSTRUCTION MANUAL (FRE.SPA.)	K
209	1C		D10-4364-08	LEVER (KEY)	
210	2C	*	D10-4634-08	ARM	
211	2C	*	D10-4635-08	LEVER ASSY	
212	1C	*	D10-4637-08	ARM ASSY (L)	
213	2C	*	D10-4639-08	LEVER (RELEASE)	
214	2C	*	D10-4640-08	LEVER (SW)	
215	3C	*	D10-4641-08	LEVER LOCK ASSY	
216	2C	*	D13-2218-08	GEAR (B)	
217	2C	*	D13-2219-08	GEAR (A)	
218	1C	*	D21-2397-08	SHAFT (SW)	
DC1	1C	*	E30-6021-08	DC CORD ASSY	
FC1	1D	*	E39-0432-08	22P FLAT CABLE	
220	2C	*	F07-1100-08	COVER (FLEX)	
221	3C	*	F07-1101-08	COVER (LOCK)	
222	2C	*	F07-1102-08	COVER (CONNECTOR)	
223	2C	*	F09-1712-08	SHEET,PROTECT (B)	
224	2C	*	F09-1713-08	SHEET,PROTECT (A)	
225	2D	*	F09-1721-08	SHEET (DC/DC)	
227	3C	*	F10-1865-08	DISCHARGE PLATE	
229	2D		F29-0049-05	INSULATING COVER	
230	2C	*	G09-2043-08	SPRING	
231	1C	*	G09-2044-08	SPRING (RELEASE)	
232	2C	*	G09-2045-08	SPRING (SW)	
233	3C	*	G09-2046-08	SPRING	
234	2C	*	G09-2047-08	SPRING (MAIN)	
235	3C	*	G09-2048-08	SPRING (OPEN)	
236	2C	*	G13-1252-08	CUSHION (SUB)	

Ref. No.	A d d	N e w	Parts No.	Description	De s t i n a
-		*	H54-2156-08	ITEM CARTON CASE	K
-		*	H54-2157-08	ITEM CARTON CASE	
M					
240	2C	*	J19-5108-08	HOLDER (LEVER)	
241	2C	*	J19-5109-08	BRACKET ASSY	
242	3C	*	J19-5112-08	PLATE,HOLDER	
243	2C	*	J19-5113-08	HOLDER (SPRING)	
244	2C	*	J19-5114-08	HOLDER (PANEL)	
245	2C	*	J19-5122-08	ROTARY DAMPER	
246	2C	*	J19-5123-08	HOLDER ASSY	
247	1C	*	J21-9585-18	MOUNTING HARDWARE ASSY	
248	1C	*	J54-0606-04	STAY	
FPC1	3C	*	J84-0138-08	FLEXIBLE PWB ASSY	
251	2C	*	K24-3795-08	KNOB (EJECT)	
252	3C	*	K24-3796-08	KNOB (RELEASE)	
M					
252	3C	*	K24-3834-08	KNOB (RELEASE)	K
253	3C	*	K24-3797-08	KNOB (RESET)	
254	3C	*	K24-3798-08	KNOB (SRC)	
255	3C	*	K24-3833-08	KNOB (EQ)	
256	3C	*	K24-3800-08	KNOB (SA)	
257	3C	*	K24-3801-08	KNOB (ATT)	
258	3C	*	K24-3802-08	KNOB (FF)	
259	3C	*	K24-3803-08	KNOB (REW)	
260	3C	*	K25-1369-08	KNOB (VOL)	
261	3C	*	K25-1370-08	KNOB (AM/FM)	
262	3C	*	K25-1371-08	KNOB (PRESET)	
264	1C	*	N99-1716-08	SCREW SET	
265	1C	*	N99-1700-05	SCREW SET	
A	2C	*	N09-4491-08	MACHINE SCREW	
B	2C	*	N09-4498-08	MACHINE SCREW	
C	2C	*	N09-4499-08	MACHINE SCREW	
D	2C	*	N09-4500-08	MACHINE SCREW	
F	2C	*	N09-6002-08	MACHINE SCREW	
G	2C	*	N09-6003-08	MACHINE SCREW	
H	2C	*	N19-2164-08	FLAT WASHER	
J	2C	*	N19-2165-08	FLAT WASHER	
K	3D		N30-3004-46	PAN HEAD MACHINE SCREW	
L	2C		N35-2004-45	BINDING HEAD MACHINE SCREW	
N	3C		N82-2006-46	BINDING HEAD TAPTITE SCREW	
T	1D		N35-2004-46	BINDING HEAD MACHINE SCREW	
MAIN UNIT					
D6			B30-1424-05	LED (CL-150SR)	
B600			C91-2134-08	ELECTRO 0.10F 5.5WV	
C1			CK73GB1H103K	CHIP C 0.010UF K	
C2			CE04CW1A101M	ELECTRO 100UF 10WV	
C3			CK73GB1H103K	CHIP C 0.010UF K	
C4			CK73GB1H103K	CHIP C 0.010UF K	
C5			CC73GCH1H220J	CHIP C 22PF J	
C6			CC73GCH1H220J	CHIP C 22PF J	
C7			CC73GCH1H120J	CHIP C 12PF J	
C8			CK73GB1H103K	CHIP C 0.010UF K	

KDC-Z828,Z828

PARTS LIST

* New Parts

Parts without **Parts No.** are not supplied.

Les articles non mentionnés dans le **Parts No.** ne sont pas fournis.

Teile ohne **Parts No.** werden nicht geliefert.

MAIN UNIT

Ref. No.	A d d	N e w	Parts No.	Description	De s t i n a	Ref. No.	A d d	N e w	Parts No.	Description	De s t i n a
C10			CK73GB0J105K	CHIP C 1.0UF K		C318A,B			CK73GB1A224K	CHIP C 0.22UF K	
C11			C90-2610-05	ELECTRO 2.2UF 50WV		C319			CK73FB1A225K	CHIP C 2.2UF K	
C12 -16			CK73GB1H103K	CHIP C 0.010UF K		C320A,B			CK73FB1A225K	CHIP C 2.2UF K	
C17			CK73GB1H102K	CHIP C 1000PF K		C321A,B			CK73GB1H104K	CHIP C 0.10UF K	
C18			CK73GB1H104K	CHIP C 0.10UF K		C322A,B			CK73GB1H104K	CHIP C 0.10UF K	
C20 -22			CK73GB1H103K	CHIP C 0.010UF K		C350A,B			CE04CW1C220M	ELECTRO 22UF 16WV	
C23			CK73FB1C104K	CHIP C 0.10UF K		C351A,B			CE04CW1C220M	ELECTRO 22UF 16WV	
C24			CK73FB1C104K	CHIP C 0.10UF K		C352			CK73FB1C104K	CHIP C 0.10UF K	
C25			CK73GB1H103K	CHIP C 0.010UF K		C353A,B			CK73FB1H222K	CHIP C 2200PF K	
C26			CK73GB1H102K	CHIP C 1000PF K		C354A,B			CK73FB1H222K	CHIP C 2200PF K	
C27			CK73GB1H102K	CHIP C 1000PF K		C355A,B			CE04CW1C220M	ELECTRO 22UF 16WV	
C100			CK73GB1H103K	CHIP C 0.010UF K		C356A,B			CK73FB1H222K	CHIP C 2200PF K	
C101			CK73GB1H103K	CHIP C 0.010UF K		C357A,B			C90-2597-05	ELECTRO 10UF 16WV	
C102			CE04CW1A101M	ELECTRO 100UF 10WV		C358A,B			C90-2597-05	ELECTRO 10UF 16WV	
C103			CE04CW1A101M	ELECTRO 100UF 10WV		C359A,B			C90-2597-05	ELECTRO 10UF 16WV	
C104			CK73GB1H103K	CHIP C 0.010UF K		C400			CK73FB1C104K	CHIP C 0.10UF K	
C105			CE04CW1A101M	ELECTRO 100UF 10WV		C401			CK73FB1C104K	CHIP C 0.10UF K	
C106			CK73GB1H103K	CHIP C 0.010UF K		C450			CK73FB1C104K	CHIP C 0.10UF K	
C107			CE04CW1A101M	ELECTRO 100UF 10WV		C451A,B			C90-2606-05	ELECTRO 0.47UF 50WV	
C108			CK73GB1H103K	CHIP C 0.010UF K		C452			CE04CW1C470M	ELECTRO 47UF 16WV	
C109			CE04CW1A101M	ELECTRO 100UF 10WV		C501			CK73EB1H224K	CHIP C 0.22UF K	
C111			CK73GB1H103K	CHIP C 0.010UF K		C502			CK73EB1H224K	CHIP C 0.22UF K	
C112			CK73EB1E104K	CHIP C 0.10UF K		C503			C90-2877-08	ELECTRO 1.0UF 50WV	
C113			CK73GB1H104K	CHIP C 0.10UF K		C504			CE04CW1C220M	ELECTRO 22UF 16WV	
C200			CK73GB1H473K	CHIP C 0.047UF K		C505			C90-2613-05	ELECTRO 0.47UF 50WV	
C203A			CE04CW1C220M	ELECTRO 22UF 16WV		C506A,B			CK73FB1C474K	CHIP C 0.47UF K	
C203B			C90-2597-05	ELECTRO 10UF 16WV		C507A,B			CK73FB1C474K	CHIP C 0.47UF K	
C204A,B			CE04CW1V4R7M	ELECTRO 4.7UF 35WV		C508A,B			CK73FB1C474K	CHIP C 0.47UF K	
C205			CE04CW1A101M	ELECTRO 100UF 10WV		C509A,B			CK73FB1C474K	CHIP C 0.47UF K	
C206			CE04CW1A101M	ELECTRO 100UF 10WV		C510A,B			CK73EB1E104K	CHIP C 0.10UF K	
C207			C90-2597-05	ELECTRO 10UF 16WV		C511A,B			CK73EB1E104K	CHIP C 0.10UF K	
C209A,B			CK73GB1H104K	CHIP C 0.10UF K		C512A,B			CK73EB1E104K	CHIP C 0.10UF K	
C210			CK73FF1A475Z	CHIP C 4.7UF Z		C513A,B			CK73EB1E104K	CHIP C 0.10UF K	
C211			C90-2597-05	ELECTRO 10UF 16WV		C600			C90-2822-05	ELECTRO 3900UF 16WV	
C212			CK73FF1A475Z	CHIP C 4.7UF Z		C603			CK73GB1H102K	CHIP C 1000PF K	
C213			CK73FF1A475Z	CHIP C 4.7UF Z		C604			CK73GB1H103K	CHIP C 0.010UF K	
C214			CK73GB1H102K	CHIP C 1000PF K		C605			CK73GB1H103K	CHIP C 0.010UF K	
C215A,B			C90-2600-05	ELECTRO 2.2UF 35WV		C606			CE04CW1H0R1M	ELECTRO 0.1UF 50WV	
C300			CK73GB1H103K	CHIP C 0.010UF K		C607			CK73GB1H683K	CHIP C 0.068UF K	
C301			CE04CW1C470M	ELECTRO 47UF 16WV		C608			CE04CW1H3R3M	ELECTRO 3.3UF 50WV	
C302			CK73GB1H103K	CHIP C 0.010UF K		C609			CK73GB0J105K	CHIP C 1.0UF K	
C303			CE04CW1C470M	ELECTRO 47UF 16WV		C610			C93-1151-08	CHIP C 0.022UF K	
C304			CK73GB1H333K	CHIP C 0.033UF K		C613			CE04CW1E101M	ELECTRO 100UF 25WV	
C305			CK73GB1H103K	CHIP C 0.010UF K		C614			CE04CW1E101M	ELECTRO 100UF 25WV	
C306			CK73GB1A474K	CHIP C 0.47UF K		C615			C90-2597-05	ELECTRO 10UF 16WV	
C307			CC73FCH1H151J	CHIP C 150PF J		C616			CK73GB1H103K	CHIP C 0.010UF K	
C308			CK73GB1H104K	CHIP C 0.10UF K		C617			CE04CW1A101M	ELECTRO 100UF 10WV	
C309			CK73GB1H104K	CHIP C 0.10UF K		C618			CK73GB1H103K	CHIP C 0.010UF K	
C310A,B			C90-2600-05	ELECTRO 2.2UF 35WV		C619			CE04CW1A101M	ELECTRO 100UF 10WV	
C311			CK73FB1A225K	CHIP C 2.2UF K		C620			CK73GB1H104K	CHIP C 0.10UF K	
C312A,B			C90-2524-05	NP-ELEC 4.7UF 16WV		C621	*		C92-1682-08	ELECTRO 100UF 16WV	
C313A,B			C90-2524-05	NP-ELEC 4.7UF 16WV		C622			CK73GB1H103K	CHIP C 0.010UF K	
C315A,B			CK73GB1A334K	CHIP C 0.33UF K		C623			CE04CW1A101M	ELECTRO 100UF 10WV	
C316A,B			CK73GB1A334K	CHIP C 0.33UF K		C624			CE04CW1E101M	ELECTRO 100UF 25WV	
C317A,B			CK73GB1A224K	CHIP C 0.22UF K		C625			CK73GB1H103K	CHIP C 0.010UF K	

PARTS LIST

* New Parts

Parts without **Parts No.** are not supplied.

Les articles non mentionnes dans le **Parts No.** ne sont pas fournis.

Teile ohne **Parts No.** werden nicht geliefert.

MAIN UNIT

Ref. No.	A d d	N e w	Parts No.	Description	Dest inati on
C626			CE04CW1A101M	ELECTRO 100UF 10WV	
C627			CE04CW1A101M	ELECTRO 100UF 10WV	
C628			CK73GB1H103K	CHIP C 0.010UF K	
C630			CE04CW1E101M	ELECTRO 100UF 25WV	
C631			CE04CW1E101M	ELECTRO 100UF 25WV	
C632			CE04CW1V4R7M	ELECTRO 4.7UF 35WV	
C801		*	C92-1683-08	ELECTRO 100UF 16WV	
C802-805			CK73EB1C225K	CHIP C 2.2UF K	
C806			CE04CW1C220M	ELECTRO 22UF 16WV	
C807			CK73GB1H103K	CHIP C 0.010UF K	
C808			CK73EB1C225K	CHIP C 2.2UF K	
C809			CE04CW1V4R7M	ELECTRO 4.7UF 35WV	
C810			C93-1151-08	CHIP C 0.022UF K	
C812			CK73EB1C225K	CHIP C 2.2UF K	
273	2D		E30-4857-08	CORD WITH PLUG (ANT)	
274	2D	*	E30-6019-08	CORD WITH PLUG (PRE OUT)	
275	2D	*	E30-6020-08	CORD WITH PLUG (RCA)	
CN1			E40-9490-05	PIN ASSY (20P)	
CN100			E40-9757-08	PIN ASSY (3P)	
CN200			E40-9550-05	FLAT CABLE CONNECTOR (22P)	
CN350		*	E41-0165-08	PIN ASSY (6P)	
CN400		*	E56-0834-05	CYLINDRICAL RECEPTACLE(13P DIN	
CN450		*	E41-0164-08	PIN ASSY (6P)	
CN600			E58-0836-05	RECTANGULAR RECEPTACLE (16P)	
279	2D	*	F12-0752-08	SHIELDING TUBE	
F1	2D		F06-1032-05	FUSE 10A	
L1			L33-1127-08	CHOKE COIL 4.7uH	
L100			L33-1123-05	AM ANT COIL	
L102-106			L33-1127-08	CHOKE COIL 4.7uH	
L300			L33-1127-08	CHOKE COIL 4.7uH	
L801			L40-2295-34	CHOKE COIL 2.2uH	
X1		*	L77-2790-08	CRYSTAL RESONATOR 20MHz	
X2			L78-0533-05	RESONATOR 32.768KHz	
K	1D		N30-3004-46	PAN HEAD MACHINE SCREW	
P	2D		N35-3006-46	BINDING HEAD MACHINE SCREW	
Q	3D		N30-2005-45	PAN HEAD MACHINE SCREW	
R	2D		N89-3006-46	BINDING HEAD TAPTITE SCREW	
S	1D		N09-4497-08	MACHINE SCREW	
JP1			R92-2053-05	CHIP R 0 J 1/8W	
JP2			R92-1252-05	CHIP R 0 OHM	
R1			RK73GB1J473J	CHIP R 47K J 1/16W	
R2			R92-1252-05	CHIP R 0 OHM	
R3			RK73GB1J104J	CHIP R 100K J 1/16W	
R4			RK73GB1J222J	CHIP R 2.2K J 1/16W	
R5			RK73GB1J223J	CHIP R 22K J 1/16W	
R6			RK73GB1J472J	CHIP R 4.7K J 1/16W	
R7			RK73GB1J684J	CHIP R 680K J 1/16W	
R8			RK73GB1J102J	CHIP R 1.0K J 1/16W	
R9			RK73GB1J473J	CHIP R 47K J 1/16W	
R10			RK73GB1J473J	CHIP R 47K J 1/16W	
R11			RK73GB1J471J	CHIP R 470 J 1/16W	
R12			RK73GB1J472J	CHIP R 4.7K J 1/16W	
R14			RK73GB1J471J	CHIP R 470 J 1/16W	

Ref. No.	A d d	N e w	Parts No.	Description	Dest inati on
R15			R92-1252-05	CHIP R 0 OHM	
R16			RK73GB1J105J	CHIP R 1.0M J 1/16W	
R17			RK73GB1J222J	CHIP R 2.2K J 1/16W	
R18			RK73GB1J473J	CHIP R 47K J 1/16W	
R20			RK73GB1J473J	CHIP R 47K J 1/16W	
R22			RK73GB1J473J	CHIP R 47K J 1/16W	
R24			RK73GB1J472J	CHIP R 4.7K J 1/16W	
R25			RK73GB1J472J	CHIP R 4.7K J 1/16W	
R26 -28			RK73GB1J104J	CHIP R 100K J 1/16W	
R29			RK73GB1J223J	CHIP R 22K J 1/16W	
R30			RK73GB1J472J	CHIP R 4.7K J 1/16W	
R31			RK73FB2A392J	CHIP R 3.9K J 1/10W	
R32			RK73FB2A471J	CHIP R 470 J 1/10W	
R33			RK73FB2A471J	CHIP R 470 J 1/10W	
R34			RK73FB2A102J	CHIP R 1.0K J 1/10W	
R35			RK73FB2A471J	CHIP R 470 J 1/10W	
R36			RK73FB2A102J	CHIP R 1.0K J 1/10W	
R37			RK73FB2A102J	CHIP R 1.0K J 1/10W	
R38			RK73GB1J471J	CHIP R 470 J 1/16W	
R39			RK73GB1J473J	CHIP R 47K J 1/16W	
R40			RK73GB1J471J	CHIP R 470 J 1/16W	
R41			RK73GB1J473J	CHIP R 47K J 1/16W	
R43 -45			RK73GB1J473J	CHIP R 47K J 1/16W	
R46			RK73GB1J331J	CHIP R 330 J 1/16W	
R47 -49			RK73GB1J102J	CHIP R 1.0K J 1/16W	
R50			RK73GB1J473J	CHIP R 47K J 1/16W	
R52			RK73GB1J473J	CHIP R 47K J 1/16W	
R100			RK73GB1J223J	CHIP R 22K J 1/16W	
R101			RK73GB1J222J	CHIP R 2.2K J 1/16W	
R102			RK73GB1J223J	CHIP R 22K J 1/16W	
R103			RK73GB1J222J	CHIP R 2.2K J 1/16W	
R104			RK73FB2A151J	CHIP R 150 J 1/10W	
R106			R92-2053-05	CHIP R 0 J 1/8W	
R200			RK73GB1J104J	CHIP R 100K J 1/16W	
R201			RK73GB1J222J	CHIP R 2.2K J 1/16W	
R205			RK73GB1J104J	CHIP R 100K J 1/16W	
R206			RK73GB1J104J	CHIP R 100K J 1/16W	
R208			RK73GB1J473J	CHIP R 47K J 1/16W	
R209A,B			RK73GB1J473J	CHIP R 47K J 1/16W	
R212			RK73GB1J100J	CHIP R 10 J 1/16W	
R215A,B			RK73GB1J394J	CHIP R 390K J 1/16W	
R216			RK73GB1J103J	CHIP R 10K J 1/16W	
R217			RK73GB1J471J	CHIP R 470 J 1/16W	
R218			RK73GB1J473J	CHIP R 47K J 1/16W	
R219			RK73GB1J472J	CHIP R 4.7K J 1/16W	
R220			RK73GB1J333J	CHIP R 33K J 1/16W	
R221			RK73GB1J242J	CHIP R 2.4K J 1/16W	
R222			RK73GB1J104J	CHIP R 100K J 1/16W	
R223			RK73GB1J392J	CHIP R 3.9K J 1/16W	
R224			RK73GB1J822J	CHIP R 8.2K J 1/16W	
R225			RK73GB1J103J	CHIP R 10K J 1/16W	
R300			RK73GB1J103J	CHIP R 10K J 1/16W	
R301			RK73GB1J472J	CHIP R 4.7K J 1/16W	
R302			RK73GB1J472J	CHIP R 4.7K J 1/16W	
R303			RK73GB1J102J	CHIP R 1.0K J 1/16W	

E: Europe K: North America M: Other Areas
W: Without Europe

K: Z828
M: KDC-Z828

△ indicates safety critical components.

KDC-Z828,Z828

PARTS LIST

* New Parts

Parts without **Parts No.** are not supplied.

Les articles non mentionnes dans le **Parts No.** ne sont pas fournis.

Teile ohne **Parts No.** werden nicht geliefert.

MAIN UNIT

Ref. No.	A d d	N e w	Parts No.	Description	Dest inati on
R310A,B			R92-1252-05	CHIP R 0 OHM	
R350A,B			RK73GB1J471J	CHIP R 470 J 1/16W	
R351A,B			RK73GB1J471J	CHIP R 470 J 1/16W	
R352A,B			RK73GB1J222J	CHIP R 2.2K J 1/16W	
R353A,B			RK73GB1J222J	CHIP R 2.2K J 1/16W	
R354A,B			RK73FB2A820J	CHIP R 82 J 1/10W	
R355A,B			RK73FB2A820J	CHIP R 82 J 1/10W	
R358A,B			RK73GB1J471J	CHIP R 470 J 1/16W	
R359A,B			RK73GB1J222J	CHIP R 2.2K J 1/16W	
R360A,B			RK73FB2A820J	CHIP R 82 J 1/10W	
R361A,B			RK73GB1J103J	CHIP R 10K J 1/16W	
R363A,B			RK73GB1J103J	CHIP R 10K J 1/16W	
R364A,B			RK73GB1J103J	CHIP R 10K J 1/16W	
R368A,B			RK73GB1J223J	CHIP R 22K J 1/16W	
R369A,B			RK73GB1J223J	CHIP R 22K J 1/16W	
R370A,B			RK73GB1J223J	CHIP R 22K J 1/16W	
R400			RK73FB2A470J	CHIP R 47 J 1/10W	
R401A,B			RK73FB2A101J	CHIP R 100 J 1/10W	
R402			RK73FB2A470J	CHIP R 47 J 1/10W	
R403			RK73FB2A102J	CHIP R 1.0K J 1/10W	
R404			RK73FB2A102J	CHIP R 1.0K J 1/10W	
R405			RK73FB2A222J	CHIP R 2.2K J 1/10W	
R406			RK73FB2A472J	CHIP R 4.7K J 1/10W	
R407			RK73FB2A472J	CHIP R 4.7K J 1/10W	
R408			RK73FB2A470J	CHIP R 47 J 1/10W	
R450A,B			RK73FB2A101J	CHIP R 100 J 1/10W	
R500			RK73GB1J473J	CHIP R 47K J 1/16W	
R501			RK73GB1J242J	CHIP R 2.4K J 1/16W	
R502			R92-1252-05	CHIP R 0 OHM	
R503			RK73GB1J103J	CHIP R 10K J 1/16W	
R504			RK73GB1J101J	CHIP R 100 J 1/16W	
R505			RK73GB1J682J	CHIP R 6.8K J 1/16W	
R507			RK73GB1J103J	CHIP R 10K J 1/16W	
R508A,B			RK73GB1J103J	CHIP R 10K J 1/16W	
R509A,B			RK73GB1J103J	CHIP R 10K J 1/16W	
R600			RK73GB1J104J	CHIP R 100K J 1/16W	
R601			RK73GB1J243J	CHIP R 24K J 1/16W	
R602			RK73GB1J103J	CHIP R 10K J 1/16W	
R603			RK73GB1J103J	CHIP R 10K J 1/16W	
R604			RK73GB1J104J	CHIP R 100K J 1/16W	
R605			RD14DB2H332J	SMALL-RD 3.3K J 1/2W	
R606			RK73EB2B333J	CHIP R 33K J 1/8W	
R607			RK73GB1J103J	CHIP R 10K J 1/16W	
R608			RK73GB1J472J	CHIP R 4.7K J 1/16W	
R609			RK73GB1J223J	CHIP R 22K J 1/16W	
R610			R90-1044-08	FL-PROOF RS 1.2K J 1/2W	
R611			R90-1044-08	FL-PROOF RS 1.2K J 1/2W	
R612			RK73GB1J472J	CHIP R 4.7K J 1/16W	
R613			RD14DB2H102J	SMALL-RD 1.0K J 1/2W	
R614			RK73GB1J223J	CHIP R 22K J 1/16W	
R615			RD14DB2H102J	SMALL-RD 1.0K J 1/2W	
R616			RK73GB1J104J	CHIP R 100K J 1/16W	
R617			RK73EB2B103J	CHIP R 10K J 1/8W	
R618			RK73EB2B102J	CHIP R 1.0K J 1/8W	
R619			RK73GB1J561J	CHIP R 560 J 1/16W	

Ref. No.	A d d	N e w	Parts No.	Description	Dest inati on
R622			RK73GB1J223J	CHIP R 22K J 1/16W	
R623			RK73EB2B1R0J	CHIP R 1.0 J 1/8W	
R624			RK73EB2B1R0J	CHIP R 1.0 J 1/8W	
R625			RK73GB1J152J	CHIP R 1.5K J 1/16W	
R626			RK73GB1J103J	CHIP R 10K J 1/16W	
R627			RK73GB1J102J	CHIP R 1.0K J 1/16W	
R628			RK73GB1J102J	CHIP R 1.0K J 1/16W	
R629			RK73GB1J152J	CHIP R 1.5K J 1/16W	
R630			RK73GB1J104J	CHIP R 100K J 1/16W	
R631			RK73GB1J472J	CHIP R 4.7K J 1/16W	
R632			RK73FB2A750J	CHIP R 75 J 1/10W	
R633			RK73GB1J152J	CHIP R 1.5K J 1/16W	
R639			RK73GB1J104J	CHIP R 100K J 1/16W	
R801			RK73GB1J272J	CHIP R 2.7K J 1/16W	
R802			RK73GB1J470J	CHIP R 47 J 1/16W	
R803			RK73GB1J752J	CHIP R 7.5K J 1/16W	
R804			RK73GB1J563J	CHIP R 56K J 1/16W	
R805			RK73GB1J913J	CHIP R 91K J 1/16W	
R806			RK73GB1J470J	CHIP R 47 J 1/16W	
R807			RK73GB1J103J	CHIP R 10K J 1/16W	
R808			RK73GB1J913J	CHIP R 91K J 1/16W	
R809			RK73GB1J913J	CHIP R 91K J 1/16W	
RN1			R90-0724-05	MULTI-COMP 1K X4	
RN2			R90-0724-05	MULTI-COMP 1K X4	
RN3		*	R90-1071-08	MULTI-COMP 47 X2	
RN4			R90-0724-05	MULTI-COMP 1K X4	
RN5			R90-1016-05	MULTI-COMP 470 X4	
RN6			R90-1016-05	MULTI-COMP 470 X4	
RN7			R90-1042-08	MULTI-COMP 4.7K X4	
RN8			R90-0724-05	MULTI-COMP 1K X4	
RN10			R90-0724-05	MULTI-COMP 1K X4	
RN11			R90-0724-05	MULTI-COMP 1K X4	
RN12			R90-0720-05	MULTI-COMP 100K X4	
RN14			R90-0724-05	MULTI-COMP 1K X4	
RN15		*	R90-1071-08	MULTI-COMP 47 X2	
RN16			R90-1022-05	MULTI-COMP 470 X2	
RN17			R90-0724-05	MULTI-COMP 1K X4	
RN400			R90-0720-05	MULTI-COMP 100K X4	
S1			S74-0809-05	MICRO SWITCH	
D7			1SS400	DIODE	
D8			1SS400	DIODE	
D1 -4		*	HZM6.2ZWA	ZENER DIODE	
D100			MA4051(N)-M	ZENER DIODE	
D200			1SS400	DIODE	
D201-203			1SS400	DIODE	
D204			STZ6.8N	ZENER DIODE	
D350A,B			STZ6.2Z	ZENER DIODE	
D351A,B			STZ6.2Z	ZENER DIODE	
D352A,B			STZ6.2Z	ZENER DIODE	
D400-403			STZ6.2Z	ZENER DIODE	
D404A,B			STZ6.2Z	ZENER DIODE	
D405			STZ6.2Z	ZENER DIODE	
D450A,B			STZ6.2Z	ZENER DIODE	
D451			STZ6.2Z	ZENER DIODE	

KDC-Z828,Z828

PARTS LIST

* New Parts

Parts without **Parts No.** are not supplied.

Les articles non mentionnes dans le **Parts No.** ne sont pas fournis.

Teile ohne **Parts No.** werden nicht geliefert.

MAIN UNIT

Ref. No.	Added	New	Parts No.	Description	Destination
D500			DAP202U	DIODE	
D501			1SS400	DIODE	
D502A,B			1SR154-400	DIODE	
D503A,B			1SR154-400	DIODE	
D504A,B			1SR154-400	DIODE	
D505A,B			1SR154-400	DIODE	
D600			RM10Z	DIODE	
D601			HZS7L6C	ZENER DIODE	
D602			HZS7L6C	ZENER DIODE	
D603			1SR154-400	DIODE	
D604			1SR154-400	DIODE	
D605			1SS400	DIODE	
D606			1SR154-400	DIODE	
D607			1SR154-400	DIODE	
D608		*	UDZS5.6B	ZENER DIODE	
D610			1SR154-400	DIODE	
D611			HZS6B1L	ZENER DIODE	
D612			MA8180-L	ZENER DIODE	
D613			MA4082(N)-L	ZENER DIODE	
D614			DTZ9.1A	ZENER DIODE	
D620			HZS6B1L	ZENER DIODE	
D621			HZS11B2L	ZENER DIODE	
D801			HZS6B1L	ZENER DIODE	
IC1		*	UPD703033GC060	MI-COM IC	
IC2			S-80842ANNP	MOS-IC	
IC3			HD74HC27FP	MOS-IC	
IC200			BA3121F	IC(ISO AMP)	
IC201			BA3129F	IC(SWITCH)	
IC202			NJM4565MD	IC(OP AMP X2)	
IC300			TDA7407	ANALOGUE IC	
IC301			TDA7401	ANALOGUE IC	
IC310			NJM4565MD	IC(OP AMP X2)	
IC311			NJM4565MD	IC(OP AMP X2)	
IC312			NJM4565MD	IC(OP AMP X2)	
IC500			TA8263BH	ANALOGUE IC	
IC801			TC7662BEOA	ANALOGUE IC	
Q1			2SA1576A	TRANSISTOR	
Q2			DTA124EUA	DIGITAL TRANSISTOR	
Q3			DTA144EUA	DIGITAL TRANSISTOR	
Q4			DTC124EUA	DIGITAL TRANSISTOR	
Q5			2SB1427	TRANSISTOR	
Q6			DTC144EUA	DIGITAL TRANSISTOR	
Q9			DTC144EUA	DIGITAL TRANSISTOR	
Q10			DTC124EUA	DIGITAL TRANSISTOR	
Q100			2SB1132	TRANSISTOR	
Q101			DTC144EUA	DIGITAL TRANSISTOR	
Q102			2SB1132	TRANSISTOR	
Q103			DTC144EUA	DIGITAL TRANSISTOR	
Q200			DTC124EUA	DIGITAL TRANSISTOR	
Q201			DTC343TK	DIGITAL TRANSISTOR	
Q202			2SC4081	TRANSISTOR	
Q300			DTC144EUA	DIGITAL TRANSISTOR	
Q350A,B			DTC343TK	DIGITAL TRANSISTOR	
Q351A,B			DTC343TK	DIGITAL TRANSISTOR	
Q352A,B			DTC343TK	DIGITAL TRANSISTOR	

Ref. No.	Added	New	Parts No.	Description	Destination
Q600			2SC4081	TRANSISTOR	
Q601			2SC4081	TRANSISTOR	
Q602			DTC114YUA	DIGITAL TRANSISTOR	
Q603			2SA1703-AN	TRANSISTOR	
Q604			DTC114EUA	DIGITAL TRANSISTOR	
Q605			DTA124EUA	DIGITAL TRANSISTOR	
Q606			2SA1576A	TRANSISTOR	
Q607			2SA1703-AN	TRANSISTOR	
Q608			DTC144EUA	DIGITAL TRANSISTOR	
Q609			DTA123JUA	DIGITAL TRANSISTOR	
Q611			2SC4081	TRANSISTOR	
Q612			2SB1565(E,F)	TRANSISTOR	
Q613			2SC4081	TRANSISTOR	
Q614			2SB1565(E,F)	TRANSISTOR	
Q615			DTC124EUA	DIGITAL TRANSISTOR	
Q616			DTA124EUA	DIGITAL TRANSISTOR	
Q617			2SC4081	TRANSISTOR	
Q618			2SB1184	TRANSISTOR	
Q619			2SC4081	TRANSISTOR	
Q620			2SB1565(E,F)	TRANSISTOR	
Q621			2SC4081	TRANSISTOR	
Q622			2SB1565(E,F)	TRANSISTOR	
Q623			DTC144EUA	DIGITAL TRANSISTOR	
Q624			DTA124EUA	DIGITAL TRANSISTOR	
Q630			2SC4081	TRANSISTOR	
Q631			2SB1565(E,F)	TRANSISTOR	
Q632			2SC4081	TRANSISTOR	
Q633			2SB1443	TRANSISTOR	
Q801			2SA1576A	TRANSISTOR	
Q802			2SA1576A	TRANSISTOR	
Q803-805			2SC4081	TRANSISTOR	
Q806			2SA1576A	TRANSISTOR	
TH500			TH470	POSITIVE RESISTOR	
TU100			X86-3240-12	TUNER UNIT	
DC/DC CONVERTER UNIT					
C700			CK73GB1H104K	CHIP C	0.10UF K
C701			C90-2603-05	ELECTRO	0.15UF 50WV
C702			CK73GB1H104K	CHIP C	0.10UF K
C703			C90-2603-05	ELECTRO	0.15UF 50WV
C704		*	C93-1191-08	CHIP C	0.001UF K
C705-707		*	C90-5397-08	ELECTRO	47UF 63WV
C708		*	C90-5398-08	ELECTRO	22UF 63WV
CN700		*	E41-0161-08	PIN ASSY (4P)	
CN701		*	E41-0161-08	PIN ASSY (4P)	
CN702			E40-9602-08	PIN ASSY (4P)	
CN703			E40-9602-08	PIN ASSY (4P)	
L700			L33-1090-08	CHOKE COIL	56 uH
R700			RK73EB2B102J	CHIP R	1.0K J 1/8W
R702			RK73EB2B220J	CHIP R	22 J 1/8W
R703			RK73FB2A473J	CHIP R	47K J 1/10W
D700			PTZ5.6A	DIODE	

E: Europe K: North America M: Other Areas
W: Without Europe

K: Z828
M: KDC-Z828

△ indicates safety critical components.

KDC-Z828,Z828

PARTS LIST

* New Parts

Parts without **Parts No.** are not supplied.

Les articles non mentionnes dans le **Parts No.** ne sont pas fournis.

Teile ohne **Parts No.** werden nicht geliefert.

Ref. No.	A d d	N e w	Parts No.	Description	Dest inati on
DC700		*	W02-3302-08	DC/DC CONVERTER	
SUB UNIT					
D800			B30-2025-05	LED (CL-170PG)	
CN800			E40-9488-05	SOCKET FOR PIN ASSY (20P)	
CN801			E40-9414-05	FLAT CABLE CONNECTOR (15P)	
R800			RK73GB1J820J	CHIP R 82 J 1/16W	
S800		*	S70-0886-08	TACT SWITCH	
CONTROL UNIT					
D900			B30-1564-05	LED (CL-190UB)	
D901		*	B30-1628-08	LED (LBA673)	
D982			B30-1547-05	LED (CL-190PG)	
D983			B30-1547-05	LED (CL-190PG)	
D985			B30-1547-05	LED (CL-190PG)	
D986			B30-1547-05	LED (CL-190PG)	
D989			B30-1547-05	LED (CL-190PG)	
D990			B30-1547-05	LED (CL-190PG)	
D994			B30-1547-05	LED (CL-190PG)	
D997			B30-1547-05	LED (CL-190PG)	
C900			CK73GB1H103K	CHIP C 0.010UF K	
C901			C90-5327-08	CHIP-TAN 10UF 16WV	
C902			CK73GB1H103K	CHIP C 0.010UF K	
C903			CK73GB1H103K	CHIP C 0.010UF K	
C904			CK73GB0J105K	CHIP C 1.0UF K	
C905			CC73GCH1H120J	CHIP C 12PF J	
C906			CC73GCH1H120J	CHIP C 12PF J	
C907-911			CK73GB1H103K	CHIP C 0.010UF K	
C930			C90-5327-08	CHIP-TAN 10UF 16WV	
C940			C90-5327-08	CHIP-TAN 10UF 16WV	
C941			C90-5327-08	CHIP-TAN 10UF 16WV	
C943			C90-5327-08	CHIP-TAN 10UF 16WV	
C950			CK73GB1H104K	CHIP C 0.10UF K	
C951			C90-5327-08	CHIP-TAN 10UF 16WV	
C960			CK73GB1H103K	CHIP C 0.010UF K	
C961			CK73FF1A475Z	CHIP C 4.7UF Z	
C962		*	C93-1191-08	CHIP C 0.001UF K	
C963			CK73FF1A475Z	CHIP C 4.7UF Z	
C964			CK73GB1H103K	CHIP C 0.010UF K	
C965			CK73GB0J105K	CHIP C 1.0UF K	
C966			CK73GB1H104K	CHIP C 0.10UF K	
CN900			E59-0835-05	RECTANGULAR PLUG (13PTDF)	
282	3C	*	J19-5115-08	HOLDER (VFD)	
L900			L33-1127-08	CHOKE COIL 4.7uH	
L901		*	L92-0348-08	CHIP IMPEDER 1K	
L950			L33-1127-08	CHOKE COIL 4.7uH	
L960		*	L92-0348-08	CHIP IMPEDER 1K	
L961			L33-1127-08	CHOKE COIL 4.7uH	
X1		*	L77-2790-08	CRYSTAL RESONATOR 20MHZ	
R900			RK73GB1J102J	CHIP R 1.0K J 1/16W	
R901			R92-1252-05	CHIP R 0 OHM	

Ref. No.	A d d	N e w	Parts No.	Description	Dest inati on
R902			RK73GB1J471J	CHIP R 470 J 1/16W	
R903			RK73GB1J104J	CHIP R 100K J 1/16W	
R904			RK73GB1J102J	CHIP R 1.0K J 1/16W	
R905			RK73GB1J104J	CHIP R 100K J 1/16W	
R906			RK73GB1J102J	CHIP R 1.0K J 1/16W	
R907			RK73GB1J471J	CHIP R 470 J 1/16W	
R908			RK73GB1J471J	CHIP R 470 J 1/16W	
R909			RK73GB1J223J	CHIP R 22K J 1/16W	
R910			RK73GB1J101J	CHIP R 100 J 1/16W	
R911			RK73GB1J131J	CHIP R 130 J 1/16W	
R912			RK73GB1J103J	CHIP R 10K J 1/16W	
R913			RK73FB2A392J	CHIP R 3.9K J 1/10W	
R914-918			RK73FB2A471J	CHIP R 470 J 1/10W	
R919			RK73GB1J223J	CHIP R 22K J 1/16W	
R920			RK73GB1J103J	CHIP R 10K J 1/16W	
R921			RK73GB1J472J	CHIP R 4.7K J 1/16W	
R930			RK73GB1J101J	CHIP R 100 J 1/16W	
R940			RK73GB1J392J	CHIP R 3.9K J 1/16W	
R941			RK73GB1J473J	CHIP R 47K J 1/16W	
R942			RK73GB1J124J	CHIP R 120K J 1/16W	
R943			RK73GB1J274J	CHIP R 270K J 1/16W	
R944			RK73GB1J274J	CHIP R 270K J 1/16W	
R945			RK73GB1J100J	CHIP R 10 J 1/16W	
R960			RK73EB2B100J	CHIP R 10 J 1/8W	
R961			RK73GB1J100J	CHIP R 10 J 1/16W	
R962			RK73GB1J222J	CHIP R 2.2K J 1/16W	
R963			RK73GB1J101J	CHIP R 100 J 1/16W	
R964			RK73GB1J101J	CHIP R 100 J 1/16W	
R965			RK73GB1J473J	CHIP R 47K J 1/16W	
R966			RK73GB1J101J	CHIP R 100 J 1/16W	
R967			RK73GB1J101J	CHIP R 100 J 1/16W	
R980			RK73EB2B392J	CHIP R 3.9K J 1/8W	
R981			RK73EB2B392J	CHIP R 3.9K J 1/8W	
R982			RK73EB2B392J	CHIP R 3.9K J 1/8W	
RN900			R90-0737-05	MULTI-COMP 100K X2	
RN901			R90-1014-05	MULTI-COMP 100 X4	
RN902			R90-1019-05	MULTI-COMP 100 X2	
RN903			R90-1019-05	MULTI-COMP 100 X2	
RN904			R90-0720-05	MULTI-COMP 100K X4	
RN905			R90-0724-05	MULTI-COMP 1K X4	
RN906			R90-0725-05	MULTI-COMP 1K X2	
RN907			R90-1020-05	MULTI-COMP 22K X2	
RN908			R90-1022-05	MULTI-COMP 470 X2	
RN950			R90-1014-05	MULTI-COMP 100 X4	
RN951			R90-0748-05	MULTI-COMP 47K X4	
RN952			R90-1014-05	MULTI-COMP 100 X4	
RN953			R90-0748-05	MULTI-COMP 47K X4	
RN954			R90-1014-05	MULTI-COMP 100 X4	
RN955			R90-0748-05	MULTI-COMP 47K X4	
RN956			R90-1014-05	MULTI-COMP 100 X4	
RN957			R90-0748-05	MULTI-COMP 47K X4	
S900		*	S70-0887-08	TACT SWITCH	
S901			S70-0864-05	TACT SWITCH	
S980		*	S70-0886-08	TACT SWITCH	

PARTS LIST

* New Parts

Parts without **Parts No.** are not supplied.

Les articles non mentionnes dans le **Parts No.** ne sont pas fournis.

Teile ohne **Parts No.** werden nicht geliefert.

CONTROL UNIT

Ref. No.	A d d	N e w	Parts No.	Description	Dest inati on
S981		*	S70-0886-08	TACT SWITCH	
S982		*	S70-0887-08	TACT SWITCH	
S983		*	S70-0887-08	TACT SWITCH	
S984		*	S70-0886-08	TACT SWITCH	
S985		*	S70-0887-08	TACT SWITCH	
S986		*	S70-0887-08	TACT SWITCH	
S987		*	S70-0886-08	TACT SWITCH	
S988		*	S70-0886-08	TACT SWITCH	
S989		*	S70-0887-08	TACT SWITCH	
S990		*	S70-0887-08	TACT SWITCH	
S991-993		*	S70-0886-08	TACT SWITCH	
S994		*	S70-0887-08	TACT SWITCH	
S995		*	S70-0886-08	TACT SWITCH	
S996		*	S70-0886-08	TACT SWITCH	
S997		*	S70-0887-08	TACT SWITCH	
D903			DA227	DIODE	
D904			DA227	DIODE	
D905-908		*	HZM6.2ZWA	DIODE	
D960		*	HZM6.2ZWA	DIODE	
D961		*	HZM6.2ZWA	DIODE	
IC900		*	UPD703033GC062	MI-COM IC	
IC930			RS-171	ANALOGUE IC	
IC940			BA3830F	ANALOGUE IC	
IC950		*	MSM531622F95TS	MEMORY IC	
IC960			BA033LBSG	ANALOGUE IC	
IC961			TC74HC4050AFT	MOS-IC	
Q900			2SC4081	TRANSISTOR	
Q930			DTA114EUA	DIGITAL TRANSISTOR	
Q931			DTC124EUA	DIGITAL TRANSISTOR	
Q960			DTC114EUA	DIGITAL TRANSISTOR	
Q961			DTA124EUA	DIGITAL TRANSISTOR	
Q962			DTC114EUA	DIGITAL TRANSISTOR	
VFD960		*	CN1989M	FLUORESCENT INDICATOR TUBE	
PROCESSOR UNIT (X32-5090-00)					
C1			C92-0633-05	CHIP-TAN 22UF 10WV	
C2 ,3			CK73GB1H102K	CHIP C 1000PF K	
C4 ,5			C92-0628-05	CHIP-TAN 10UF 10WV	
C7			CK73EB1A475K	CHIP C 4.7UF K	
C8 ,9			CK73GB1C104K	CHIP C 0.10UF K	
C10 ,11			CK73GB1H102K	CHIP C 1000PF K	
C12 -14			CK73GB1C104K	CHIP C 0.10UF K	
C15			CK73EB1A475K	CHIP C 4.7UF K	
C16			C92-0628-05	CHIP-TAN 10UF 10WV	
C17 ,18			CK73GB1H102K	CHIP C 1000PF K	
C19			CK73FB1C105K	CHIP C 1.0UF K	
C20			CK73GB1H102K	CHIP C 1000PF K	
C21			CC73GCH1H150J	CHIP C 15PF J	
C22			C92-0628-05	CHIP-TAN 10UF 10WV	
C23			CK73GB1H102K	CHIP C 1000PF K	
C24			CC73GCH1H471J	CHIP C 470PF J	
C25			CK73GB1C104K	CHIP C 0.10UF K	
C26			CK73GB1H472K	CHIP C 4700PF K	
C27 ,28			CK73FB1C105K	CHIP C 1.0UF K	
C29 -31			CK73GB1C104K	CHIP C 0.10UF K	

Ref. No.	A d d	N e w	Parts No.	Description	Dest inati on
C32			C92-0628-05	CHIP-TAN 10UF 10WV	
C33 ,34			CK73GB1C104K	CHIP C 0.10UF K	
C35			CC73GCH1H221J	CHIP C 220PF J	
C36			CK73GB1H102K	CHIP C 1000PF K	
C37			CK73GB1H103K	CHIP C 0.010UF K	
C39			CK73GB1H222K	CHIP C 2200PF K	
C40			CK73GB1C104K	CHIP C 0.10UF K	
C41			CK73GB1H103K	CHIP C 0.010UF K	
C42			CC73GCH1H101J	CHIP C 100PF J	
C43			CK73GB1C473K	CHIP C 0.047UF K	
C45			CK73GB1C104K	CHIP C 0.10UF K	
C46			CK73GB1H103K	CHIP C 0.010UF K	
C48			CK73GB1H103K	CHIP C 0.010UF K	
C49			CK73GB1C104K	CHIP C 0.10UF K	
C50			CK73GB1H103K	CHIP C 0.010UF K	
C52			CK73EB1A475K	CHIP C 4.7UF K	
C53			CK73GB1C104K	CHIP C 0.10UF K	
C54			CK73EB1A475K	CHIP C 4.7UF K	
C55			CK73GB1C104K	CHIP C 0.10UF K	
C56			C92-0628-05	CHIP-TAN 10UF 10WV	
C58			C92-0628-05	CHIP-TAN 10UF 10WV	
C60			CK73EB1A475K	CHIP C 4.7UF K	
C61			CK73GB1C333K	CHIP C 0.033UF K	
C62			CK73FB1C224K	CHIP C 0.22UF K	
C63			CK73GB1H472K	CHIP C 4700PF K	
C64			CK73GB1H222K	CHIP C 2200PF K	
C65 ,66			CK73EB1A475K	CHIP C 4.7UF K	
C67			CK73GB1C104K	CHIP C 0.10UF K	
C68 ,69			CK73EB1A475K	CHIP C 4.7UF K	
C70			CK73GB1H102K	CHIP C 1000PF K	
C71 -74			CK73GB1C104K	CHIP C 0.10UF K	
C75			CK73GB1H103K	CHIP C 0.010UF K	
C76			CK73GB1H102K	CHIP C 1000PF K	
C77 ,78			CC73GCH1H471J	CHIP C 470PF J	
C79 ,80			CC73GCH1H680J	CHIP C 68PF J	
C81			CK73EB1A475K	CHIP C 4.7UF K	
C82 ,83			C92-0628-05	CHIP-TAN 10UF 10WV	
C84 ,85			C92-0633-05	CHIP-TAN 22UF 10WV	
C86			CK73EB1A475K	CHIP C 4.7UF K	
C87			C92-0093-05	CHIP C 100UF 6.3WV	
C100			CK73GB1H103K	CHIP C 0.010UF K	
C101			CK73GB1C104K	CHIP C 0.10UF K	
CN1			E40-9339-05	FLAT CABLE CONNECTOR	
CN2			E40-9536-05	FLAT CABLE CONNECTOR	
L1 -4			L92-0308-05	FERRITE CORE	
L5			L40-1001-78	SMALL FIXED INDUCTOR(10UH)	
L5			L40-1001-93	SMALL FIXED INDUCTOR	
L5			L41-1001-10	SMALL FIXED INDUCTOR	
X1			L78-0810-05	RESONATOR	
X2			L78-0573-05	RESONATOR	
CP1 -7			R90-0714-05	MULTI-COMP 10K X4	
CP8 -10			R90-1012-05	MULTI-COMP 22K X4	
R1 ,2			RK73GB1J183J	CHIP R 18K J 1/16W	

E: Europe K: North America M: Other Areas
W: Without Europe

K : Z828
M : KDC-Z828

△ indicates safety critical components.

KDC-Z828,Z828

PARTS LIST

* New Parts

Parts without **Parts No.** are not supplied.

Les articles non mentionnes dans le **Parts No.** ne sont pas fournis.

Teile ohne **Parts No.** werden nicht geliefert.

PROCESSOR UNIT (X32-5090-00)

Ref. No.	A d d	N e w	Parts No.	Description	Dest inati on
R4 -7			RK73GB1J101J	CHIP R 100 J 1/16W	
R8			RK73GB1J331J	CHIP R 330 J 1/16W	
R9			RK73GB1J102J	CHIP R 1.0K J 1/16W	
R10			RK73GB1J103J	CHIP R 10K J 1/16W	
R12			RK73GB1J472J	CHIP R 4.7K J 1/16W	
R13			RK73GB1J102J	CHIP R 1.0K J 1/16W	
R14 ,15			RK73FB2A100J	CHIP R 10 J 1/10W	
R16 -19			RK73GB1J472J	CHIP R 4.7K J 1/16W	
R20 ,21			RK73GB1J222J	CHIP R 2.2K J 1/16W	
R22 ,23			RK73GB1J122J	CHIP R 1.2K J 1/16W	
R24 -26			RK73GB1J222J	CHIP R 2.2K J 1/16W	
R27			RK73GB1J122J	CHIP R 1.2K J 1/16W	
R28 ,29			RK73GB1J222J	CHIP R 2.2K J 1/16W	
R30 -33			RK73GB1J122J	CHIP R 1.2K J 1/16W	
R34			RK73GB1J104J	CHIP R 100K J 1/16W	
R35			RK73GB1J102J	CHIP R 1.0K J 1/16W	
R36 ,37			RK73GB1J4R7J	CHIP R 4.7 J 1/16W	
R38 ,39			RK73GB1J472J	CHIP R 4.7K J 1/16W	
R40			RK73GB1J102J	CHIP R 1.0K J 1/16W	
R41			RK73GB1J471J	CHIP R 470 J 1/16W	
R42			RK73GB1J104J	CHIP R 100K J 1/16W	
R43			RK73GB1J393J	CHIP R 39K J 1/16W	
R44			RK73GB1J102J	CHIP R 1.0K J 1/16W	
R45			RK73GB1J103J	CHIP R 10K J 1/16W	
R46			RK73GB1J912J	CHIP R 9.1K J 1/16W	
R47			RK73GB1J332J	CHIP R 3.3K J 1/16W	
R48			RK73GB1J682J	CHIP R 6.8K J 1/16W	
R49			RK73GB1J103J	CHIP R 10K J 1/16W	
R50			RK73GB1J123J	CHIP R 12K J 1/16W	
R51			RK73GB1J824J	CHIP R 820K J 1/16W	
R52			RK73GB1J103J	CHIP R 10K J 1/16W	
R53			RK73GB1J563J	CHIP R 56K J 1/16W	
R54			RK73GB1J102J	CHIP R 1.0K J 1/16W	
R55			RK73GB1J103J	CHIP R 10K J 1/16W	
R56			RK73GB1J682J	CHIP R 6.8K J 1/16W	
R57			RK73GB1J622J	CHIP R 6.2K J 1/16W	
R58			RK73GB1J122J	CHIP R 1.2K J 1/16W	
R59			RK73GB1J102J	CHIP R 1.0K J 1/16W	
R60			RK73GB1J183J	CHIP R 18K J 1/16W	
R63			RK73GB1J103J	CHIP R 10K J 1/16W	
R64			RK73GB1J102J	CHIP R 1.0K J 1/16W	
R65			RK73EB2B100J	CHIP R 10 J 1/8W	
R66			RK73GB1J103J	CHIP R 10K J 1/16W	
R67			RK73EB2B4R7J	CHIP R 4.7 J 1/8W	
R68			RK73FB2A820J	CHIP R 82 J 1/10W	
R73			RK73FB2A103J	CHIP R 10K J 1/10W	
R75 ,76			RK73GB1J103J	CHIP R 10K J 1/16W	
R77 ,78			RK73GB1J472J	CHIP R 4.7K J 1/16W	
R79			RK73GB1J223J	CHIP R 22K J 1/16W	
R80 ,81			RK73GB1J472J	CHIP R 4.7K J 1/16W	
R82			RK73GB1J102J	CHIP R 1.0K J 1/16W	
R83			RK73GB1J223J	CHIP R 22K J 1/16W	
R84			RK73GB1J331J	CHIP R 330 J 1/16W	
R85			RK73GB1J220J	CHIP R 22 J 1/16W	
R86			RK73GB1J222J	CHIP R 2.2K J 1/16W	

Ref. No.	A d d	N e w	Parts No.	Description	Dest inati on
R87			RK73GB1J122J	CHIP R 1.2K J 1/16W	
R88			RK73GB1J104J	CHIP R 100K J 1/16W	
R90			RK73GB1J101J	CHIP R 100 J 1/16W	
R91			RK73GB1J222J	CHIP R 2.2K J 1/16W	
R94			RK73GB1J512J	CHIP R 5.1K J 1/16W	
R95			RK73GB1J222J	CHIP R 2.2K J 1/16W	
R96 -99			RK73GB1J203J	CHIP R 20K J 1/16W	
R100			RK73GB1J103J	CHIP R 10K J 1/16W	
R101			RK73GB1J512J	CHIP R 5.1K J 1/16W	
R102			RK73FB2A4R7J	CHIP R 4.7 J 1/10W	
R103			RK73GB1J103J	CHIP R 10K J 1/16W	
R104			RK73GB1J331J	CHIP R 330 J 1/16W	
R105			RK73FB2A4R7J	CHIP R 4.7 J 1/10W	
R106			RK73GB1J331J	CHIP R 330 J 1/16W	
R107,108			RK73GB1J332J	CHIP R 3.3K J 1/16W	
R109,110			RK73GB1J562J	CHIP R 5.6K J 1/16W	
R200,201			RK73GB1J103J	CHIP R 10K J 1/16W	
R202			RK73GB1J681J	CHIP R 680 J 1/16W	
W1			R92-1252-05	CHIP R 0 OHM	
W61 ,62			R92-1252-05	CHIP R 0 OHM	
W69 -72			R92-1252-05	CHIP R 0 OHM	
S1 ,2			S68-0838-05	PUSH SWITCH	
S3			S68-0859-05	PUSH SWITCH	
D1 -3			DAN202U	DIODE	
IC1			M30620MCAB12GP	MI-COM IC	
IC2			UPD63724B	MOS-IC	
IC3			TC74HC157AF	IC(MULTIPLEXER)	
IC4			LP2982-3.3	ANALOGUE IC	
IC5			STA013	MOS-IC	
IC6			MSM514260CP-60	MEMORY IC	
IC7			TC7SH04F	MOS-IC	
IC8			TA78L05F	IC(VOLTAGE REGULATOR/ +5V)	
IC9			PCM1716E	MOS-IC	
IC10			UPC2575GS	ANALOGUE IC	
IC11			BA5917AFP	ANALOGUE IC	
IC12			NJM5532MD	IC(OP AMP)	
IC13			NJM2903M	IC(COMPARATOR X2)	
Q1			MCH6101	TRANSISTOR	
Q2			DTC124EUA	DIGITAL TRANSISTOR	
Q3			MCH6101	TRANSISTOR	
Q4			DTC124EUA	DIGITAL TRANSISTOR	
Q5 -7			2SK3018	FET	
Q8			MCH6101	TRANSISTOR	
Q9			DTC124EUA	DIGITAL TRANSISTOR	
CD MECHANISM ASSY (X92-4190-01)					
401	2A		A10-4482-01	CHASSIS	
402	1B		A10-4225-33	CHASSIS CALKING ASSY	
403	2B		A11-0915-43	SUB CHASSIS CALKING ASSY	
405	2A		D10-3082-13	ARM	
405A	2A		D10-4038-23	ARM ASSY	
406	2A		D10-4306-14	ARM ASSY	
407	2A		D10-4305-14	ARM ASSY	
408	3A		D10-3087-44	ARM ASSY	

KDC-Z828,Z828

PARTS LIST

* New Parts

Parts without **Parts No.** are not supplied.

Les articles non mentionnes dans le **Parts No.** ne sont pas fournis.

Teile ohne **Parts No.** werden nicht geliefert.

CD MECHANISM ASSY (X92-4190-01)

Ref. No.	A d d	N e w	Parts No.	Description	Dest inati on
409	3B		D10-3092-03	SLIDER	
410	3B		D10-3093-04	SLIDER ASSY	
411	2B		D10-3095-04	SLIDER ASSY	
412	2B		D10-3096-04	SLIDER ASSY	
413	1A		D10-3099-24	SLIDER ASSY	
414	1A		D10-3100-04	SLIDER ASSY	
415	2A		D10-4123-24	LEVER ASSY	
416	1B		D10-4004-04	LEVER ASSY	
417	1B		D10-4006-04	LEVER	
418	1A		D10-4007-04	LEVER	
419	2B		D10-4008-14	LEVER	
420	2A		D10-4009-23	ARM	
421	3A		D10-4010-04	LEVER	
422	3A		D10-4307-04	LEVER ASSY	
424	3B		D10-4050-04	ARM	
427	3A		D13-1442-03	RACK (GEAR)	
429	3B		D13-1231-04	GEAR	
430	3A		D13-1240-04	GEAR	
431	3B		D13-1233-04	GEAR	
432	3B		D13-1234-14	GEAR ASSY	
433	3A		D13-1441-03	GEAR	
434	3B		D13-1232-04	GEAR	
435	3B		D13-1241-04	GEAR	
436	3A		D13-1242-04	GEAR	
437	1B		D13-1243-04	GEAR	
438	1B		D13-1244-04	GEAR	
439	1B		D13-1245-14	GEAR	
440	2A		D13-1246-04	GEAR	
441	2B		D13-1247-04	GEAR	
443	2B		D13-1249-04	GEAR ASSY	
444	2B		D13-2091-04	GEAR ASSY(LEAD SCREW)	
445	1B		D14-0668-04	ROLLER	
446	1A		D14-0670-04	ROLLER	
447	3B		D14-0674-04	ROLLER	
449	3A		D21-2228-14	SHAFT	
450	1A		D21-2229-04	SHAFT	
451	1A		D23-0925-24	RETAINER	
452	2A		D32-0614-04	STOPPER	
453	1B		D39-0223-05	DAMPER	
454	2B		D39-0224-05	DAMPER	
455	3B		F09-1246-04	SHEET	
458	3B		F09-1266-14	SHEET	
460	2A		G01-2770-04	EXTENSION SPRING	
461	3A		G01-2771-04	EXTENSION SPRING	
462	3A		G01-2772-24	EXTENSION SPRING	
463	3A		G01-2773-14	EXTENSION SPRING	
464	3A		G01-2774-34	EXTENSION SPRING	
465	1B		G01-2775-04	TORSION COIL SPRING	
466	1B		G01-2776-14	TORSION COIL SPRING	
467	3B		G01-2777-24	TORSION COIL SPRING	
469	2A		G01-2844-04	EXTENSION SPRING	
470	2A		G02-1231-04	FLAT SPRING	
471	2B		G02-1319-04	FLAT SPRING	
472	2A		G02-1241-24	FLAT SPRING	

Ref. No.	A d d	N e w	Parts No.	Description	Dest inati on
475	2A		J11-0613-13	CLAMPER	
476	3A		J19-4678-13	HOLDER	
477	2B		J19-4923-04	HOLDER	
478	3B		J21-7684-13	MOUNTING HARDWARE	
479	2B		J21-7686-13	MOUNTING HARDWARE	
480	1B		J21-7690-03	MOUNTING HARDWARE	
482	3A		J84-0107-05	FLEXIBLE PRINTED WIRING BOARD	
483	1A		J90-0757-22	GUIDE	
A	2A		N09-4249-05	MACHINE SCREW (M1.7X2.5,LOCK)	
B	1B		N09-4172-05	TAPPING SCREW (2X3.5,C)	
C	2B		N09-4202-05	STEPPED SCREW	
D	2A		N38-2020-46	PAN HEAD MACHIN SCREW	
E	3A		N09-4294-05	TAPTITE SCREW (BIND P TAPTIT)	
F	3B		N19-2023-04	FLAT WASHER	
G	2A		N19-2058-04	FLAT WASHER	
H	3A		N19-2093-04	FLAT WASHER	
J	2A		N39-2020-46	PAN HEAD MACHIN SCREW	
DM1	3B		T42-0764-04	DC MOTOR ASSY (SP)	
DM2	3B		T42-1028-04	DC MOTOR ASSY (SL)	
DPU1	2B		T25-0215-05	OPTICAL PICKUP HEAD	

E: Europe K: North America M: Other Areas
W: Without Europe

K: Z828
M: KDC-Z828

△ indicates safety critical components.