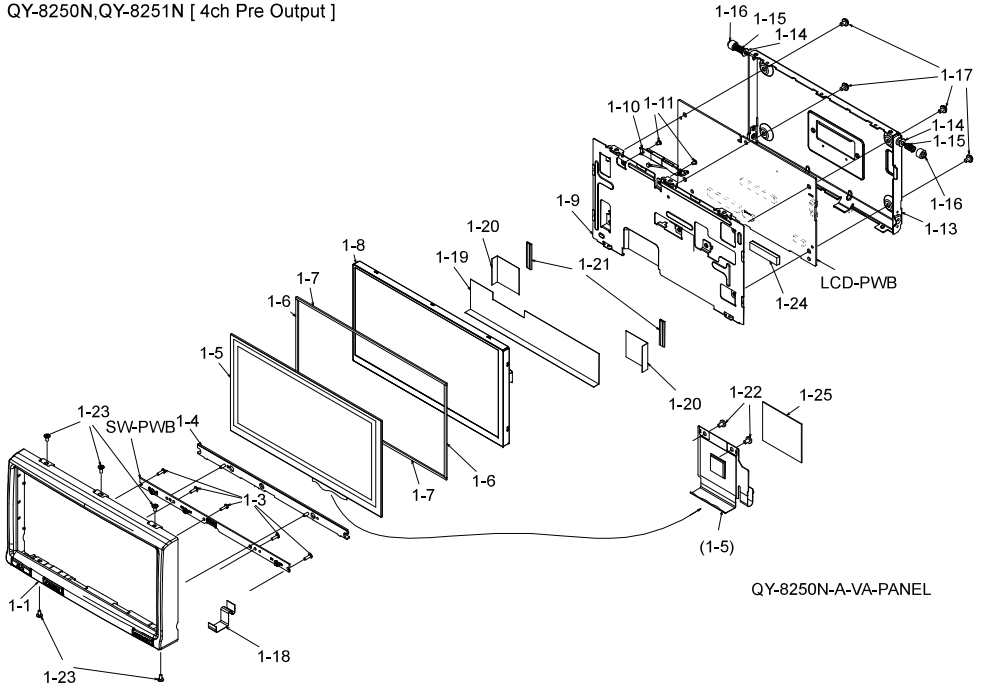


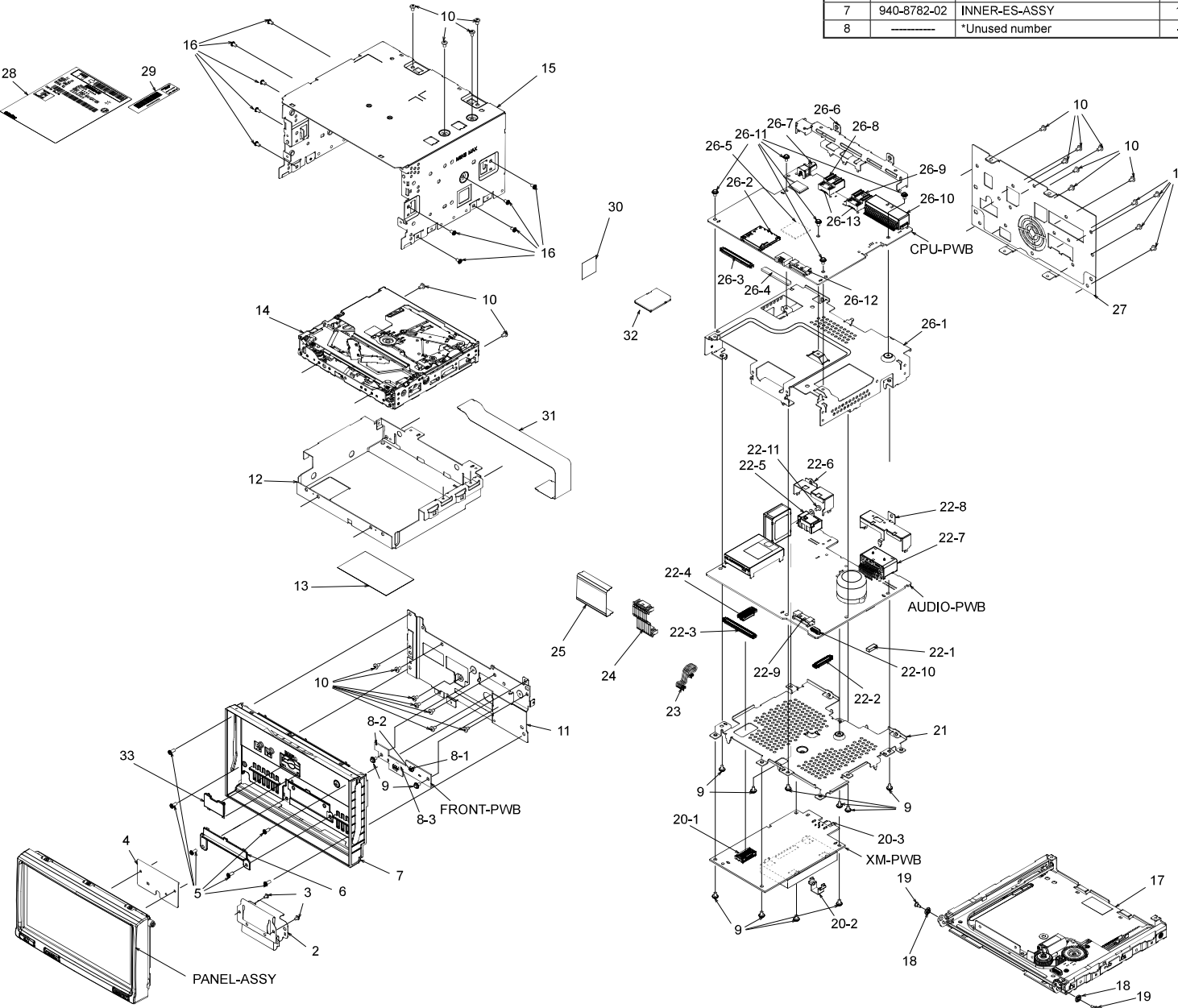
QY-8250N,QY-8251N [4ch Pre Output]



QY-8250N-A-VA-PANEL

NO.	PART NO.	DESCRIPTION	Q'TY
1	-----	*Unused number	-
1-1	940-8844-00	ESCUTCHEON-ASSY	1
1-2	-----	*Unused number	-
1-3	716-3693-01	SPECIAL SCREW	5
1-4	345-6803-00	SUPPORT COVER	1
1-5	013-9744-01	TOUCH PANEL	1
1-6	347-9355-00	CUSHION	2
1-7	347-9356-00	CUSHION	2
1-8	379-0481-00	LCD	1
1-9	331-5678-00	LCD HOLDER	1
1-10	060-8146-50	BLUETOOTH ANT	1
1-11	716-1468-01	SPECIAL SCREW	2
1-12	-----	*Unused number	-
1-13	946-0116-00	REAR COVER CAS	1
1-14	347-8902-00	SPACER	2
1-15	750-7937-00	ROLLER SPRING	2
1-16	335-8937-00	ROLLER-R	2
1-17	716-1611-50	SPECIAL SCREW	4
1-18	816-3118-55	FLAT WIRE	1
1-19	347-9022-00	SHIELD SHEET	1
1-20	347-8929-00	SHIELD SHEET	2
1-21	347-8927-00	SHIELD SHEET	2
1-22	780-2603-51	IT SCREW	2
1-23	716-3694-00	2X4LAMIX3CANK	5
1-24	345-6837-00	CUSHION	1
1-25	347-9446-00	PROTECTOR	1

QY-8251N [4ch Pre Output]



NO.	PART NO.	DESCRIPTION	Q'TY
1	-----	*Unused number	-
2	039-4613-00	FPC	1
3	716-1851-02	SPECIAL-SCREW	2
4	331-5682-00	FPC-CVR	1
5	716-3504-90	SPECIAL-SCREW	6
6	335-9839-01	FPC-CVR	1
7	940-8782-02	INNER-ES-ASSY	1
8	-----	*Unused number	-

NO.	PART NO.	DESCRIPTION	Q'TY
8-1	013-6312-50	SWITCH	1
8-2	001-7109-90	DIODE	2
8-3	074-3043-56	OUTLET SOCKET	1
9	780-2604-50	IT SCREW(M2.6x4)	12
10	714-2604-8B	MACHINE SCREW(M2.6x4)	24
11	309-1997-01	FRONT COVER	1
12	331-5680-00	MECH BRKT(CD)	1
13	347-9548-00	PROTECTOR	1
14	929-5411-80	CD MECH	1
15	310-2052-01	TOP CASE	1
16	716-3504-80	SPECIAL-SCREW	10
17	932-0146-80	SLIDE MECH	1
18	073-9000-00	TERMINAL	2
19	716-3738-00	DECORATIVE SCREW	2
20	-----	*Unused number	-
20-1	076-3062-50	PLUG	1
20-2	331-4427-01	ANT-BRKT	1
20-3	092-2262-02	ANT-RECEPT	1
21	331-5645-06	SHIELD PLATE	1
22	-----	*Unused number	-
22-1	076-6017-09	PLUG	1
22-2	074-2248-40	OUTLET SOCKET	1
22-3	074-2248-80	OUTLET SOCKET	1
22-4	074-3062-50	OUTLET SOCKET	1
22-5	092-2210-01	ANT RECEPT(GT13SHA)	1
22-6	331-5640-00	AUDIO BRKT(R)	1
22-7	074-4086-20	OUTLET SOCKET(TH18HW-CS2)	1
22-8	331-5639-00	AUDIO BRKT(L)	1
22-9	076-6021-60	PLUG	1
22-10	076-0569-06	PLUG	1
22-11	714-2604-8B	MACHINE SCREW(M2.6x4)	1
23	854-4638-50	EXTENSION LEAD	1
24	854-4667-81	EXTENSION LEAD	1
25	816-3105-05	FLAT WIRE	1
26	-----	*Unused number	-
26-1	331-5644-02	INNER CHASSIS	1
26-2	▲074-8018-50	OUTLET SOCKET(SD CARD)	1
26-3	074-2248-80	OUTLET SOCKET	1
26-4	074-2273-18	OUTLET SOCKET	1
26-5	345-6682-00	CUSHION	1
26-6	331-5638-01	CPU-HOLDER	1
26-7	092-2255-04	ANT-RECEPT(GPS)(Blue)	1
26-8	074-9049-02	OUTLET SOCKET(TCU)(Brown)	1
26-9	074-9049-00	OUTLET SOCKET(USB1)(Black)	1
26-10	EAZ0921	OUTLET SOCKET	1
26-11	780-2604-50	IT SCREW(M2.6x4)	5
26-12	076-6021-60	PLUG	1
26-13	074-4091-90	OUTLET SOCKET(USB)	2
27	307-0836-01	REAR CVR	1
28	-----	SETPLATE(168001-276.QY8251NA)	1
	▲-----	SETPLATE(168007-276.QY8251NB)	1
29	-----	XM LABEL(140600-276)	1
30	347-9222-00	COVER FILM	1
31	816-3173-55	FLAT WIRE	1
32	-----	SDHC 16GB(map)▲	1
33	335-9838-00	SD COVER	1

ELECTRICAL PARTS LIST

LCD PWB(B1) section for QY-8200N/QY-8201N/QY-8250N/QY-8251N

* Neither the part numbers of parts on which software is written,
nor part numbers of parts for which replacement is prohibited
in the production process are listed in the parts list.

REF NO.	PART NO.	DESCRIPTION	REF NO.	PART NO.	DESCRIPTION	REF NO.	PART NO.	DESCRIPTION
ANT800	092-2245-00	ANT-RECEPT	C312	AAZ0254	50V 0.1uF	C801	178-1062-88	10uF
C100	046-1022-58	50V 1000pF	C313	178-3332-78	0.033uF	C804	046-1022-58	50V 1000pF
C102	046-1042-78	0.1uF K B	C314	043-7702-90	1.0uF	C805	178-1062-88	10uF
C103	046-2232-78	0.022uF K B	C315	043-6401-90	16V 10uF	CN700	EBZ0092	OUTLET SOCKET
C104	168-2242-58	0.22uF K	C316	AAZ0241	50V 330pF	D100	001-1326-90	1SS400-TE61
C105	168-2242-58	0.22uF K	C317	AAZ0293	25V 10uF 10%	D101	001-1326-90	1SS400-TE61
C106	046-1042-78	0.1uF K B	C318	AAZ0253	50V 0.047uF	D103	001-1326-90	1SS400-TE61
C107	043-6401-90	16V 10uF	C319	168-3332-78	0.033uF K	D104	001-1326-90	1SS400-TE61
C108	AAZ0264	16V 1uF	C320	043-6401-90	16V 10uF	D300	001-2612-90	RB520S-30
C109	168-2242-58	0.22uF K	C321	043-6401-90	16V 10uF	D301	001-2612-90	RB520S-30
C110	AAZ0264	16V 1uF	C327	AAZ0254	50V 0.1uF	D302	001-2620-90	RB060L-40
C111	046-1022-58	50V 1000pF	C329	AAZ0254	50V 0.1uF	D303	001-2620-90	RB060L-40
C113	046-1022-58	50V 1000pF	C334	043-7702-90	1.0uF	D304	001-2620-90	RB060L-40
C114	046-1042-78	0.1uF K B	C404	ADZ0265	35V 47uF	D308	001-2660-90	RB050L-60DDTE25
C116	046-4732-78	0.047uF K B	C405	AAZ0293	25V 10uF 10%	D309	001-2661-80	RB056L-40-TFTE25
C118	046-1022-58	50V 1000pF	C406	AAZ0254	50V 0.1uF	FL100	BMZ0251	BK20104L121-T
C119	046-1022-58	50V 1000pF	C407	043-0554-90	25V 10uF	FL200	BMZ0251	BK20104L121-T
C122	046-1032-78	0.01uF K B	C408	043-0574-90	25V 1.0uF	FL201	BMZ0251	BK20104L121-T
C123	AAZ0264	16V 1uF	C409	168-1832-55	0.018uF K	FL202	BMZ0251	BK20104L121-T
C125	046-1022-58	50V 1000pF	C410	043-0605-90	10V 2.2uF	FL203	BMZ0251	BK20104L121-T
C126	046-1032-78	0.01uF K B	C411	166-2211-50	220pF CH	FL204	BMZ0251	BK20104L121-T
C127	045-1011-50	100pFJ CH	C412	AAZ0254	50V 0.1uF	FL205	BMZ0251	BK20104L121-T
C130	045-1011-50	100pFJ CH	C413	046-1022-58	50V 1000pF	IC100	051-7281-38	TC7SH14
C133	046-1022-58	50V 1000pF	C415	045-1011-50	100pFJ CH	IC101	051-7243-18	FUTE85L,F
C134	046-1022-58	50V 1000pF	C417	046-1022-58	50V 1000pF	IC102	051-5440-90	TC7SET08FU-TE85L,F
C136	046-1022-58	50V 1000pF	C418	043-7700-90	50V 4.7uF	IC103	-----	R3112Q311A-TR-FA
C137	046-2232-78	0.022uF K B	C419	ADZ0265	35V 47uF	IC103	-----	uPD78F1822GBA-GAH-G
C138	046-2232-78	0.022uF K B	C420	AAZ0254	50V 0.1uF	IC200	051-6482-00	(FLASH MICOM)
C139	166-2201-50	22pF CH	C421	043-7700-90	50V 4.7uF	IC300	-----	(Software should be written on production)
C141	046-1022-58	50V 1000pF	C423	043-7700-90	50V 4.7uF	IC300	-----	(035500-052)
C142	046-1032-78	0.01uF K B	C433	043-1640-90	0.01uF	IC302	-----	BU17102AKV-ME2
C143	046-1022-58	50V 1000pF	C444	168-1032-55	0.01uF K	IC302	-----	OZ528ILN-B1-0-TR
C144	046-1022-58	50V 1000pF	C600	046-1022-58	50V 1000pF	IC302	-----	(Thermal pad)
C146	046-1022-58	50V 1000pF	C601	043-6401-90	16V 10uF	IC302	-----	(394090-051)
C147	046-1022-58	50V 1000pF	C603	AAZ0254	50V 0.1uF	IC701	051-3057-90	BD81A04EFV-M
C156	AAZ0264	16V 1uF	C605	043-0554-90	25V 10uF	IC701	051-3057-90	(Thermal pad)
C157	046-1022-58	50V 1000pF	C606	045-2201-50	22pFJ CH	IC800	060-8140-90	(611390-051)
C161	046-1022-58	50V 1000pF	C607	045-2201-50	22pFJ CH	IC800	060-8140-90	BA4558RFV
C200	AAZ0254	50V 0.1uF	C614	AAZ0254	50V 0.1uF	J100	074-2242-66	BT MODULE
C201	AAZ0254	50V 0.1uF	C615	046-1022-58	50V 1000pF	J400	074-2219-58	(UGXZD-G01A)
C203	046-1042-78	0.1uF K B	C620	045-2211-50	220pFJ CH	J601	074-2273-18	SOCKET(16P)
C204	043-2300-90	10V 47uF	C701	046-2232-78	0.022uF K B	J602	074-2273-65	SOCKET(8P)
C205	AAZ0263	16V 0.47uF	C702	043-0574-90	25V 1.0uF	J602	074-2273-65	SOCKET(58P)
C206	046-1032-78	0.01uF K B	C703	046-2232-78	0.022uF K B	L100	BAZ0431	15P
C208	043-0577-90	6.3V 1.0uF	C704	046-2232-78	0.022uF K B	L101	BMZ0211	10uH
C209	046-1032-78	0.01uF K B	C705	043-0554-90	25V 10uF	L101	BMZ0211	BLM18PG
C210	046-1032-78	0.01uF K B	C706	046-2222-58	2200pF K B	L103	BMZ0222	121SN1D
C211	043-0577-90	6.3V 1.0uF	C707	043-0570-90	16V 2.2uF K	L103	BMZ0222	BLM15AG
C212	045-1501-50	15pFJ CH	C709	AAZ0269	10V 2.2uF	L200	BMZ0211	121SN1D
C213	045-8097-50	8pF +/-0.5pF CH	C710	043-0574-90	25V 1.0uF	L200	BMZ0211	BLM18PG
C214	045-1011-50	100pFJ CH	C711	043-0574-90	25V 1.0uF	L200	BMZ0211	121SN1D
C216	045-8097-50	8pF +/-0.5pF CH	C713	043-6401-90	16V 10uF	L201	BAZ0571	22uH
C217	045-1011-50	100pFJ CH	C714	043-6401-90	16V 10uF	L202	BMZ0211	BLM18PG
C218	043-0577-90	6.3V 1.0uF	C715	043-0574-90	25V 1.0uF	L202	BMZ0211	121SN1D
C219	046-1032-78	0.01uF K B	C716	043-6401-90	16V 10uF	L203	010-3100-56	0.33uH J
C220	166-3901-50	39pF CH	C717	043-0568-90	25V 2.2uF	L300	010-3514-90	15uH M
C221	046-1042-78	0.1uF K B	C718	043-7701-90	2.2uF	L301	010-3576-50	47uH
C222	046-1042-78	0.1uF K B	C719	046-1022-58	50V 1000pF	L302	010-3576-50	47uH
C223	046-1022-58	50V 1000pF	C720	043-6401-90	16V 10uF	L303	010-3576-50	47uH
C224	046-1022-58	50V 1000pF	C721	046-1022-58	50V 1000pF	L402	010-3111-92	120 ohm/100MHz
C225	046-1022-58	50V 1000pF	C722	046-1022-58	50V 1000pF	L403	010-3111-92	120 ohm/100MHz
C300	ADZ0265	35V 47uF	C726	046-1022-58	50V 1000pF	L404	010-3111-92	120 ohm/100MHz
C301	AAZ0293	25V 10uF 10%	C728	045-1011-50	100pFJ CH	L405	BAZ0514	33uH
C302	043-0574-90	25V 1.0uF	C730	045-1011-50	100pFJ CH	L600	BMZ0211	BLM18PG
C303	045-1011-50	100pFJ CH	C737	046-1022-58	50V 1000pF	L610	BMZ0211	121SN1D
C304	043-0570-90	16V 2.2uF K	C754	046-1022-58	50V 1000pF	L610	BMZ0211	BLM18PG
C305	046-2232-78	0.022uF K B	C777	043-0573-90	10V 22uF			
C306	043-0574-90	25V 1.0uF	C778	043-0573-90	10V 22uF			
C307	046-6832-78	0.068uF K B	C779	043-0573-90	10V 22uF			
C308	046-4732-78	0.047uF K B	C780	043-0573-90	10V 22uF			
C309	AAZ0261	25V 1uF	C781	046-1022-58	50V 1000pF			
C310	043-7702-90	1.0uF	C782	046-1022-58	50V 1000pF			
C311	AAZ0293	25V 10uF 10%	C800	046-1022-58	50V 1000pF			

REF NO.	PART NO.	DESCRIPTION	REF NO.	PART NO.	DESCRIPTION	REF NO.	PART NO.	DESCRIPTION
L611	BMZ0211	BLM18PG 121SN1D	R161	032-0221-74	1/16W 10k ohm 1%	R343	032-0221-56	1/16W 22k ohm F
L700	BAZ0431	10uH	R163	032-0221-74	1/16W 10k ohm 1%	R344	033-0000-05	1/16W 0 ohm
L701	010-3111-92	120 ohm/100MHZ	R164	032-0221-74	1/16W 10k ohm 1%	R345	032-0210-56	1/10W 22k ohm F
L800	010-3127-91	220 ohm/100MHZ	R165	032-0221-74	1/16W 10k ohm 1%	R346	032-0221-09	1/16W 33k ohm F
L802	010-3127-91	220 ohm/100MHZ	R166	033-1031-15	1/16W 10k ohm J	R347	032-0221-73	1/16W 2.2k ohm 1%
NF400	010-3059-90	200 ohm FILTER	R167	033-1031-15	1/16W 10k ohm J	R356	032-0210-17	1/10W 6.8k ohm F
P101	076-6000-56	6P	R168	033-1031-15	1/16W 10k ohm J	R359	032-0221-06	1/16W 100k ohm F
Q100	CAZ0331	2SC4081T106R	R170	033-0000-05	1/16W 0 ohm	R361	032-0210-57	1/10W 4.7k ohm F
Q101	125-2046-97	DTC114YUB TL	R184	033-1031-15	1/16W 10k ohm J	R362	032-0210-69	1/10W 3.3k ohm 1%
Q103	125-9029-90	UMZ1N	R193	032-0221-08	1/16W 1k ohm F	R363	032-0210-57	1/10W 4.7k ohm F
Q300	192-4081-00	2SC4081	R194	032-0221-08	1/16W 1k ohm F	R364	032-0210-69	1/10W 3.3k ohm 1%
Q301	CA11433	2SA1576AT106R	R195	033-2211-15	1/16W 220 ohm J	R365	117-1021-15	1/8W 1k ohm
Q302	192-4081-00	2SC4081	R197	033-1021-15	1/16W 1k ohm J	R369	119-0000-05	1/10W 0 ohm JW
Q303	192-4081-00	2SC4081	R198	032-0221-74	1/16W 10k ohm 1%	R370	119-0000-05	1/10W 0 ohm JW
Q304	CA11433	2SA1576AT106R	R199	033-1031-15	1/16W 10k ohm J	R371	117-3311-15	1/8W 330 ohm
Q305	CA11433	2SA1576AT106R	R200	033-1021-15	1/16W 1k ohm J	R372	117-0000-05	1/8W 0 ohm JW
Q306	CA11433	2SA1576AT106R	R201	033-0000-05	1/16W 0 ohm	R374	116-6201-15	1/4W 62 ohm
Q307	192-4081-00	2SC4081	R202	033-0000-05	1/16W 0 ohm	R375	116-6201-15	1/4W 62 ohm
Q308	125-2046-97	DTC114YUB TL	R203	033-0000-05	1/16W 0 ohm	R376	119-5621-15	1/10W 5.6k ohm
Q309	CAZ0331	2SC4081T106R	R205	033-0000-05	1/16W 0 ohm	R377	032-0249-52	1/2W 270 ohm J
Q310	CAZ0331	2SC4081T106R	R207	032-0221-61	1/16W 6.8k ohm F	R378	032-0249-52	1/2W 270 ohm J
Q311	125-2046-97	DTC114YUB TL	R208	032-0221-63	1/16W 12k ohm F	R379	032-0249-52	1/2W 270 ohm J
Q312	125-8032-90	RVQ040N05 TR	R210	033-0000-05	1/16W 0 ohm	R380	032-0249-52	1/2W 270 ohm J
Q313	192-4081-00	2SC4081	R211	033-0000-05	1/16W 0 ohm	R381	032-0249-52	1/2W 270 ohm J
Q314	193-1781-50	2SD1781KT146- QR	R212	032-0221-99	1/16W 100 ohm 1%	R382	119-4721-15	1/10W 4.7k ohm
Q315	125-2046-97	DTC114YUB TL	R213	032-0221-01	1/16W 47 ohm F	R383	032-0221-56	1/16W 22k ohm F
Q412	191-1197-50	2SB1197K Q,R	R214	032-0221-99	1/16W 100 ohm 1%	R384	119-8221-15	1/10W 8.2k ohm
Q413	CAZ0331	2SC4081T106R	R215	032-0221-99	1/16W 100 ohm 1%	R385	032-0221-56	1/16W 22k ohm F
Q418	CAZ0331	2SC4081T106R	R217	032-0221-99	1/16W 100 ohm 1%	R386	032-0221-56	1/16W 22k ohm F
Q419	125-2046-91	DTC114EUBTL	R218	032-0221-99	1/16W 100 ohm 1%	R435	033-0000-05	1/16W 0 ohm
R006	033-2211-15	1/16W 220 ohm J	R219	AQZ0489	1/10W 39 ohm 1%	R436	032-0246-51	1/2W 0.12 ohm F
R007	033-2211-15	1/16W 220 ohm J	R226	033-0000-05	1/16W 0 ohm	R437	032-0246-51	1/2W 0.12 ohm F
R008	033-2211-15	1/16W 220 ohm J	R227	033-1011-15	1/16W 100 ohm J	R438	033-2231-15	1/16W 22k ohm J
R009	033-1031-15	1/16W 10k ohm J	R228	033-1011-15	1/16W 100 ohm J	R439	033-0000-05	1/16W 0 ohm
R100	032-0210-74	1/10W 470 ohm F	R300	032-0221-51	1/16W 4.7k ohm F	R440	119-4791-15	1/10W 4.7 ohm
R101	032-0221-51	1/16W 4.7k ohm F	R301	033-1031-15	1/16W 10k ohm J	R441	033-1031-15	1/16W 10k ohm J
R102	032-0221-51	1/16W 4.7k ohm F	R302	033-1031-15	1/16W 10k ohm J	R443	033-2231-15	1/16W 22k ohm J
R103	032-0221-51	1/16W 4.7k ohm F	R303	119-2711-15	1/10W 270 ohm	R444	032-0221-29	1/16W 5.1k ohm 1%
R104	032-0221-51	1/16W 4.7k ohm F	R304	033-0000-05	1/16W 0 ohm	R446	116-2201-15	1/4W 22 ohm
R105	032-0221-08	1/16W 1k ohm F	R305	119-0000-05	1/10W 0 ohm JW	R447	032-0221-59	1/16W 220 ohm F
R106	032-0210-80	1/10W 270 ohm F	R306	032-0221-75	1/16W 47k ohm F	R448	032-0221-07	1/16W 56k ohm F
R107	032-0140-62	1/10W 1k ohm F	R307	032-0210-92	1/10W 560 ohm F	R449	032-0221-59	1/16W 220 ohm F
R108	032-0221-65	1/16W 68k ohm F	R308	032-0221-51	1/16W 4.7k ohm F	R450	033-2031-15	1/16W 20k ohm J
R110	032-0221-74	1/16W 10k ohm 1%	R309	032-0221-59	1/16W 220 ohm F	R451	033-2231-15	1/16W 22k ohm J
R111	032-0221-74	1/16W 10k ohm 1%	R310	032-0221-76	1/16W 24k ohm F	R452	032-0221-51	1/16W 4.7k ohm F
R113	032-0221-74	1/16W 10k ohm 1%	R311	032-0221-59	1/16W 220 ohm F	R453	032-0221-62	1/16W 8.2k ohm F
R114	032-0221-11	1/16W 5.6k ohm F	R313	119-0000-05	1/10W 0 ohm JW	R454	032-0221-56	1/16W 22k ohm F
R115	032-0221-74	1/16W 10k ohm 1%	R314	032-0210-90	1/10W 100k ohm F	R455	033-0000-05	1/16W 0 ohm
R118	032-0221-08	1/16W 1k ohm F	R315	119-0000-05	1/10W 0 ohm JW	R456	032-0221-52	1/16W 1.8k ohm F
R119	032-0221-06	1/16W 100k ohm F	R316	032-0210-56	1/10W 22k ohm F	R457	032-0221-06	1/16W 100k ohm F
R120	032-0221-08	1/16W 1k ohm F	R317	032-0210-01	1/10W 39k ohm F	R458	032-0221-56	1/16W 22k ohm F
R123	033-0000-05	1/16W 0 ohm	R318	033-0000-05	1/16W 0 ohm	R459	033-2231-15	1/16W 22k ohm J
R124	033-0000-05	1/16W 0 ohm	R319	032-0140-93	1/10W 2k ohm F	R461	033-0000-05	1/16W 0 ohm
R125	032-0221-51	1/16W 4.7k ohm F	R320	032-0210-17	1/10W 6.8k ohm F	R462	032-0246-51	1/2W 0.12 ohm F
R126	032-0221-81	1/16W 2k ohm F	R321	032-0210-31	1/10W 180 ohm F	R464	033-2231-15	1/16W 22k ohm J
R127	032-0221-72	1/16W 470 ohm F	R322	032-0210-75	1/10W 820 ohm F	R465	033-2231-15	1/16W 22k ohm J
R128	032-0221-08	1/16W 1k ohm F	R323	119-0000-05	1/10W 0 ohm JW	R466	033-2231-15	1/16W 22k ohm J
R129	032-0221-74	1/16W 10k ohm 1%	R324	032-0210-64	1/10W 1k ohm F	R468	032-0249-52	1/2W 270 ohm J
R131	032-0221-74	1/16W 10k ohm 1%	R325	032-0140-86	1/10W 5.1k ohm F	R469	032-0221-64	1/16W 39k ohm F
R133	032-0221-74	1/16W 10k ohm 1%	R326	032-0140-86	1/10W 5.1k ohm F	R470	032-0221-76	1/16W 24k ohm F
R134	032-0221-51	1/16W 4.7k ohm F	R327	032-0140-06	1/10W 100 ohm F	R471	032-0221-10	1/16W 15k ohm F
R135	032-0221-08	1/16W 1k ohm F	R328	032-0210-82	1/10W 18k ohm F	R472	119-0000-05	1/10W 0 ohm JW
R136	032-0221-56	1/16W 22k ohm F	R329	032-0140-93	1/10W 2k ohm F	R473	119-0000-05	1/10W 0 ohm JW
R137	032-0221-74	1/16W 10k ohm 1%	R330	032-0210-00	1/10W 330 ohm F	R474	119-0000-05	1/10W 0 ohm JW
R139	033-1031-15	1/16W 10k ohm J	R331	119-0000-05	1/10W 0 ohm JW	R475	119-0000-05	1/10W 0 ohm JW
R140	032-0221-74	1/16W 10k ohm 1%	R332	032-0210-57	1/10W 4.7k ohm F	R601	119-0000-05	1/10W 0 ohm JW
R141	033-1031-15	1/16W 10k ohm J	R333	119-0000-05	1/10W 0 ohm JW	R602	119-0000-05	1/10W 0 ohm JW
R142	032-0221-74	1/16W 10k ohm 1%	R334	033-3321-15	1/16W 3.3k ohm F	R603	032-0221-72	1/16W 470 ohm F
R143	032-0221-08	1/16W 1k ohm F	R335	032-0221-56	1/16W 22k ohm F	R607	119-0000-05	1/10W 0 ohm JW
R144	032-0221-74	1/16W 10k ohm 1%	R336	032-0221-56	1/16W 22k ohm F	R608	119-0000-05	1/10W 0 ohm JW
R147	032-0221-08	1/16W 1k ohm F	R337	032-0221-56	1/16W 22k ohm F	R610	119-0000-05	1/10W 0 ohm JW
R153	032-0221-72	1/16W 470 ohm F	R338	032-0221-56	1/16W 22k ohm F	R611	119-0000-05	1/10W 0 ohm JW
R154	032-0221-72	1/16W 470 ohm F	R339	032-0221-56	1/16W 22k ohm F			
R158	032-0221-06	1/16W 100k ohm F	R340	032-0221-56	1/16W 22k ohm F			
			R341	032-0221-56	1/16W 22k ohm F			
			R342	032-0221-56	1/16W 22k ohm F			

REF NO.	PART NO.	DESCRIPTION	REF NO.	PART NO.	DESCRIPTION	REF NO.	PART NO.	DESCRIPTION
R612	119-0000-05	1/10W 0 ohm JW	R751	119-0000-05	1/10W 0 ohm JW	R817	033-1011-15	1/16W 100 ohm J
R613	119-0000-05	1/10W 0 ohm JW	R764	032-0221-72	1/16W 470 ohm F	R818	033-1011-15	1/16W 100 ohm J
R703	032-0210-53	1/10W 15k ohm 1%	R774	119-0000-05	1/10W 0 ohm JW	R819	033-1011-15	1/16W 100 ohm J
R704	032-0221-56	1/16W 22k ohm F	R775	119-0000-05	1/10W 0 ohm JW	R821	033-1011-15	1/16W 100 ohm J
R706	032-0221-84	1/16W 27k ohm F	R776	033-0000-05	1/16W 0 ohm	R822	033-1011-15	1/16W 100 ohm J
R707	032-0221-56	1/16W 22k ohm F	R777	033-0000-05	1/16W 0 ohm	R823	033-0000-05	1/16W 0 ohm
R708	032-0221-84	1/16W 27k ohm F	R778	033-0000-05	1/16W 0 ohm	R826	119-0000-05	1/10W 0 ohm JW
R709	032-0210-57	1/10W 4.7k ohm F	R779	033-0000-05	1/16W 0 ohm	R827	119-0000-05	1/10W 0 ohm JW
R710	032-0221-56	1/16W 22k ohm F	R780	119-0000-05	1/10W 0 ohm JW	R828	119-0000-05	1/10W 0 ohm JW
R711	032-0210-08	1/10W 100 ohm F	R781	119-0000-05	1/10W 0 ohm JW	R829	119-0000-05	1/10W 0 ohm JW
R716	032-0210-15	1/10W 33 ohm F	R782	119-0000-05	1/10W 0 ohm JW	R851	119-0000-05	1/10W 0 ohm JW
R717	032-0210-15	1/10W 33 ohm F	R783	119-0000-05	1/10W 0 ohm JW	RN100	050-0156-67	1/16W 220 ohm x4
R718	AQZ0489	1/10W 39 ohm 1%	R785	119-0000-05	1/10W 0 ohm JW	RN200	050-0156-52	1/16W 100 ohm x4
R719	032-0210-08	1/10W 100 ohm F	R786	119-0000-05	1/10W 0 ohm JW	RN202	050-0156-52	1/16W 100 ohm x4
R720	032-0210-08	1/10W 100 ohm F	R787	119-0000-05	1/10W 0 ohm JW	RN207	050-0156-52	1/16W 100 ohm x4
R721	119-0000-05	1/10W 0 ohm JW	R788	119-0000-05	1/10W 0 ohm JW	RN208	050-0156-52	1/16W 100 ohm x4
R722	032-0210-35	1/10W 120 ohm F	R790	119-0000-05	1/10W 0 ohm JW	X100	060-1542-90	16MHz
R723	032-0210-35	1/10W 120 ohm F	R791	119-0000-05	1/10W 0 ohm JW	ZD100	001-4305-20	UDZSTE-17 5.6B
R724	AQZ0489	1/10W 39 ohm 1%	R792	119-0000-05	1/10W 0 ohm JW	ZD101	001-4305-20	UDZSTE-17 5.6B
R725	032-0210-08	1/10W 100 ohm F	R794	119-0000-05	1/10W 0 ohm JW	ZD102	001-4305-20	UDZSTE-17 5.6B
R726	AQZ0489	1/10W 39 ohm 1%	R800	033-0000-05	1/16W 0 ohm	ZD103	001-4305-20	UDZSTE-17 5.6B
R727	AQZ0489	1/10W 39 ohm 1%	R807	033-1011-15	1/16W 100 ohm J	ZD104	001-4305-20	UDZSTE-17 5.6B
R730	033-0000-05	1/16W 0 ohm	R808	033-1011-15	1/16W 100 ohm J	ZD105	001-4305-20	UDZSTE-17 5.6B
R734	033-0000-05	1/16W 0 ohm	R809	033-1031-15	1/16W 10k ohm J	ZD108	001-4305-20	UDZSTE-17 5.6B
R739	033-0000-05	1/16W 0 ohm	R811	033-1031-15	1/16W 10k ohm J	ZD111	001-4305-20	UDZSTE-17 5.6B
R740	033-1021-15	1/16W 1k ohm J	R812	033-1011-15	1/16W 100 ohm J	ZD113	001-4305-20	UDZSTE-17 5.6B
R743	033-0000-05	1/16W 0 ohm	R813	033-1011-15	1/16W 100 ohm J	ZD300	001-4305-27	UDZSTE-17 11B
R744	033-0000-05	1/16W 0 ohm	R815	033-1011-15	1/16W 100 ohm J	PWB	039-4590-00	PWB(WITHOUT COMPONENTS)
R750	119-0000-05	1/10W 0 ohm JW	R816	033-1011-15	1/16W 100 ohm J			

SW PWB(B2) section for QY-8200N/QY-8201N

REF NO.	PART NO.	DESCRIPTION	REF NO.	PART NO.	DESCRIPTION	REF NO.	PART NO.	DESCRIPTION
D100	CJZ0062	SML-311DT_J2	D106	001-1326-90	1SS400-TE61	R103	119-1031-15	1/10W 10k ohm
D101	CJZ0062	SML-311DT_J2	D107	001-1326-90	1SS400-TE61	SW100	FBZ0151	EVPA302K
D102	001-1326-90	1SS400-TE61	J100	074-2254-16	SOCKET(16P)	SW101	FBZ0151	EVPA302K
D103	001-1326-90	1SS400-TE61	R100	119-2231-15	1/10W 22k ohm	ZD100	001-4305-20	UDZSTE-17 5.6B
D104	CJZ0062	SML-311DT_J2	R101	119-2231-15	1/10W 22k ohm	PWB	039-4591-00	PWB(WITHOUT COMPONENTS)
D105	CJZ0062	SML-311DT_J2	R102	119-5631-15	1/10W 56k ohm			

SW PWB(B2) section for QY-8250N/QY-8251N

REF NO.	PART NO.	DESCRIPTION	REF NO.	PART NO.	DESCRIPTION	REF NO.	PART NO.	DESCRIPTION
D100	CJZ0062	SML-311DT_J2	D109	CJZ0062	SML-311DT_J2	R105	119-1031-15	1/10W 10k ohm
D101	CJZ0062	SML-311DT_J2	D110	001-1326-90	1SS400-TE61	SW100	FBZ0151	EVPA302K
D102	001-1326-90	1SS400-TE61	D111	001-1326-90	1SS400-TE61	SW101	FBZ0151	EVPA302K
D103	001-1326-90	1SS400-TE61	J100	074-2254-16	SOCKET(16P)	SW102	FBZ0151	EVPA302K
D104	CJZ0062	SML-311DT_J2	R100	119-2231-15	1/10W 22k ohm	ZD100	001-4305-20	UDZSTE-17 5.6B
D105	CJZ0062	SML-311DT_J2	R101	119-2231-15	1/10W 22k ohm	PWB	039-4591-00	PWB(WITHOUT COMPONENTS)
D106	001-1326-90	1SS400-TE61	R102	119-5631-15	1/10W 56k ohm			
D107	001-1326-90	1SS400-TE61	R103	119-1031-15	1/10W 10k ohm			
D108	CJZ0062	SML-311DT_J2	R104	119-5631-15	1/10W 56k ohm			

AUDIO PWB(B3) section for QY-8200N/QY-8201N

REF NO.	PART NO.	DESCRIPTION	REF NO.	PART NO.	DESCRIPTION	REF NO.	PART NO.	DESCRIPTION
C103	042-1732-90	6.3V 220uF	C305	168-2222-55	2200pF K	C814	166-1021-50	1000pF CH
C110	045-1011-50	100pFJ CH	C306	166-1201-50	12pF CH	C815	166-1011-50	100pF CH
C111	046-1032-78	0.01uF K B	C307	045-2201-50	22pFJ CH	C816	043-0554-90	25V 10uF
C113	043-0603-90	16V 10uF	C308	046-1022-58	50V 1000pF	C817	178-2232-55	0.022uF
C115	046-1042-78	0.1uF K B	C309	046-1022-58	50V 1000pF	C818	166-1021-50	1000pF CH
C116	046-1042-78	0.1uF K B	C310	045-3901-50	39pFJ CH	C819	043-5600-90	0.10uF
C118	046-1042-78	0.1uF K B	C311	045-1211-50	120pFJ CH	C820	043-0603-90	16V 10uF
C119	046-1042-78	0.1uF K B	C312	045-1501-50	15pFJ CH	C821	166-1011-50	100pF CH
C120	046-1042-78	0.1uF K B	C313	045-2211-50	220pFJ CH	C822	166-1011-50	100pF CH
C121	046-1042-78	0.1uF K B	C315	046-3922-58	3900pF K B	C823	046-1042-78	0.1uF K B
C126	168-4752-98	4.7uF K	C316	046-1022-58	50V 1000pF	C824	046-1042-78	0.1uF K B
C127	045-1201-50	12pFJ CH	C318	046-1032-78	0.01uF K B	C825	043-6400-90	16V 4.7uF K
C128	045-1201-50	12pFJ CH	C319	046-1032-78	0.01uF K B	C826	046-1022-58	50V 1000pF
C204	046-1042-78	0.1uF K B	C322	046-3322-58	3300pF K B	C827	043-7503-90	4.7uF
C205	168-4752-98	4.7uF K	C324	046-2232-78	0.022uF K B	C828	168-1042-78	16V 0.1uF K
C206	168-4752-98	4.7uF K	C326	046-1022-58	50V 1000pF	C829	043-0554-90	25V 10uF
C207	046-1042-78	0.1uF K B	C327	046-2232-78	0.022uF K B	C830	042-4015-94	16V 47uF
C208	046-1042-78	0.1uF K B	C330	046-2232-78	0.022uF K B	C831	043-7702-90	1.0uF
C209	046-1042-78	0.1uF K B	C332	046-2232-78	0.022uF K B	C832	046-1022-58	50V 1000pF
C210	046-1042-78	0.1uF K B	C333	046-2232-78	0.022uF K B	C833	043-7503-90	4.7uF
C211	046-1042-78	0.1uF K B	C336	043-0562-90	10V 0.22uF	C834	168-1042-78	16V 0.1uF K
C212	045-8097-50	8pF +/-0.5pF CH	C337	046-2232-78	0.022uF K B	C835	043-0554-90	25V 10uF
C213	045-1007-50	10 +/-0.5pF CH	C340	043-0563-90	16V 47uF	C836	042-4015-94	16V 47uF
C214	046-1042-78	0.1uF K B	C359	045-4796-50	4.7pFJ CH	C837	046-3322-58	3300pF K B
C216	168-4752-98	4.7uF K	C361	046-1042-78	0.1uF K B	C838	045-2211-50	220pFJ CH
C218	046-1042-78	0.1uF K B	C402	046-1042-78	0.1uF K B	C839	046-1032-78	0.01uF K B
C219	165-1073-35	16V 100uF	C403	046-1042-78	0.1uF K B	C840	046-2222-58	2200pF K B
C220	046-1042-78	0.1uF K B	C406	046-1042-78	0.1uF K B	C841	045-2211-50	220pFJ CH
C221	168-4752-98	4.7uF K	C407	043-0603-90	16V 10uF	C842	046-1032-78	0.01uF K B
C222	046-1042-78	0.1uF K B	C430	165-4763-35	16V 47uF	C845	042-0643-54	25V 470uF
C223	046-1042-78	0.1uF K B	C431	042-4015-94	16V 47uF	C846	043-7503-90	4.7uF
C225	046-1042-78	0.1uF K B	C438	165-1073-35	16V 100uF	C847	043-7503-90	4.7uF
C226	046-1042-78	0.1uF K B	C440	043-0570-90	16V 2.2uF K	C848	046-1042-78	0.1uF K B
C227	046-1042-78	0.1uF K B	C441	043-0570-90	16V 2.2uF K	C849	042-4007-90	50V 10uF M
C228	043-0559-90	6.3V 22uF	C442	168-1052-78	16V 1uF K	C851	168-1052-78	16V 1uF K
C229	168-1052-78	16V 1uF K	C443	168-1052-78	16V 1uF K	C852	168-1542-58	0.15uF K
C230	046-1042-78	0.1uF K B	C447	043-0570-90	16V 2.2uF K	C853	168-1542-58	0.15uF K
C231	168-1052-78	16V 1uF K	C448	043-0570-90	16V 2.2uF K	C854	168-1542-58	0.15uF K
C232	043-0552-90	6.3V 47uF M	C510	043-0603-90	16V 10uF	C855	168-1542-58	0.15uF K
C233	046-1042-78	0.1uF K B	C511	168-1052-78	16V 1uF K	C856	168-1542-58	0.15uF K
C234	046-1042-78	0.1uF K B	C512	168-1052-78	16V 1uF K	C857	168-1542-58	0.15uF K
C235	046-1042-78	0.1uF K B	C515	046-1042-78	0.1uF K B	C858	168-1542-58	0.15uF K
C237	045-2201-50	22pFJ CH	C517	043-0554-90	25V 10uF	C859	168-1542-58	0.15uF K
C238	046-1042-78	0.1uF K B	C518	042-4015-94	16V 47uF	C860	168-6822-55	6800pF K
C239	046-1042-78	0.1uF K B	C519	043-7701-90	2.2uF	C861	168-6822-55	6800pF K
C240	046-1042-78	0.1uF K B	C584	045-1011-50	100pFJ CH	C862	168-6822-55	6800pF K
C241	045-4711-50	470pFJ CH	C585	045-1011-50	100pFJ CH	C863	168-6822-55	6800pF K
C242	046-1042-78	0.1uF K B	C601	046-1042-78	0.1uF K B	C864	168-6822-55	6800pF K
C243	046-3322-58	3300pF K B	C602	046-1042-78	0.1uF K B	C865	168-6822-55	6800pF K
C244	046-3322-58	3300pF K B	C604	166-2201-50	22pF CH	C866	168-6822-55	6800pF K
C245	042-1732-90	6.3V 220uF	C605	046-1042-78	0.1uF K B	C867	168-6822-55	6800pF K
C246	046-3322-58	3300pF K B	C722	043-0570-90	16V 2.2uF K	C868	168-1052-78	16V 1uF K
C247	046-3322-58	3300pF K B	C723	043-0570-90	16V 2.2uF K	C871	165-1063-55	35V 10uF
C248	046-1042-78	0.1uF K B	C724	045-1011-50	100pFJ CH	C872	165-1063-55	35V 10uF
C249	046-3322-58	3300pF K B	C725	045-2201-50	22pFJ CH	C874	043-5600-90	0.10uF
C250	046-3322-58	3300pF K B	C726	045-2201-50	22pFJ CH	C875	165-1063-55	35V 10uF
C251	043-0603-90	16V 10uF	C727	045-1011-50	100pFJ CH	C876	043-0554-90	25V 10uF
C252	043-0603-90	16V 10uF	C728	046-1022-58	50V 1000pF	C881	043-0554-90	25V 10uF
C254	046-1042-78	0.1uF K B	C729	046-1042-78	0.1uF K B	C882	043-0554-90	25V 10uF
C255	045-2201-50	22pFJ CH	C730	046-1042-78	0.1uF K B	C883	043-0554-90	25V 10uF
C256	046-1042-78	0.1uF K B	C731	042-1753-90	16V 100uF M	C916	176-2221-50	2200pF CH
C257	046-1042-78	0.1uF K B	C732	042-4015-94	16V 47uF	D101	001-2630-90	1SS420-TPL3,F
C258	046-1042-78	0.1uF K B	C733	046-1042-78	0.1uF K B	D301	001-9013-90	BA891
C259	046-1042-78	0.1uF K B	C738	045-1011-50	100pFJ CH	D302	001-9013-90	BA891
C260	046-1042-78	0.1uF K B	C739	045-1011-50	100pFJ CH	D501	001-2403-90	M1F60
C262	046-1042-78	0.1uF K B	C801	042-4441-10	25V 4700uF	D801	001-2629-90	D1FM3-5063
C263	046-1022-58	50V 1000pF	C802	043-5600-90	0.10uF	D802	001-1325-90	1SS387
C264	046-1522-58	1500pF K B	C803	043-0574-90	25V 1.0uF	D804	001-2633-90	1SS388-TPL3,F
C265	046-1522-58	1500pF K B	C804	043-0603-90	16V 10uF	D805	001-2633-90	1SS388-TPL3,F
C266	046-1522-58	1500pF K B	C805	043-0570-90	16V 2.2uF K	D807	001-2412-90	RR264M-400
C267	046-1522-58	1500pF K B	C806	178-2742-78	0.27uF	FE701	941-0239-80	TUNER PACK(HD)
C269	043-0603-90	16V 10uF	C809	043-0603-90	16V 10uF	IC101	052-0329-20	UPD70F3333
C271	043-0603-90	16V 10uF	C810	043-5600-90	0.10uF			GC(A)-UEU-AX
C283	043-0603-90	16V 10uF	C813	166-1021-50	1000pF CH	IC102	051-5440-80	S-1009N311-N4T1U

REF NO.	PART NO.	DESCRIPTION	REF NO.	PART NO.	DESCRIPTION	REF NO.	PART NO.	DESCRIPTION
IC103	051-5486-90	PST852A440UM	L211	010-3104-54	600 ohm/100MHZ	R161	033-1011-15	1/16W 100 ohm J
IC104	051-5486-90	PST852A440UM	L212	010-3104-54	600 ohm/100MHZ	R162	033-3331-15	1/16W 33k ohm J
IC107	051-7281-60	MC74VHC	L213	010-3104-54	600 ohm/100MHZ	R163	033-0000-05	1/16W 0 ohm
		1G14DFT2G	L214	010-3104-54	600 ohm/100MHZ	R164	032-0221-61	1/16W 6.8k ohm F
IC108	051-7202-90	MC74VHC	L215	010-3104-54	600 ohm/100MHZ	R165	033-1041-15	1/16W 100k ohm J
		1G32DFT2G	L216	010-3104-54	600 ohm/100MHZ	R166	033-1041-15	1/16W 100k ohm J
IC109	051-7202-90	MC74VHC	L217	010-3104-54	600 ohm/100MHZ	R167	033-4731-15	1/16W 47k ohm J
		1G32DFT2G	L218	010-3104-54	600 ohm/100MHZ	R168	033-4731-15	1/16W 47k ohm J
IC110	051-7222-60	MC74VHC	L219	010-3104-54	600 ohm/100MHZ	R169	033-1021-15	1/16W 1k ohm J
		1G08DFT2G	L220	010-3104-54	600 ohm/100MHZ	R170	033-1021-15	1/16W 1k ohm J
IC201	-----	SAF7741HV/N127 (DSP) (Thermal pad) (674713-051) ▲	L221	010-3104-54	600 ohm/100MHZ	R171	032-0221-06	1/16W 100k ohm F
			L222	010-3105-70	240ohm/100MHZ	R172	033-0000-05	1/16W 0 ohm
IC202	051-7106-90	CD4052B-PWR	L302	010-3062-54	290nH	R176	032-0221-74	1/16W 10k ohm 1%
IC203	-----	BD00C0AWFP (Voltage regulator) (Thermal pad) (358290-051)	L303	010-3406-56	3.3uH J	R179	033-1031-15	1/16W 10k ohm J
			L304	010-3062-56	0.5uH	R180	033-1031-15	1/16W 10k ohm J
IC301	-----	TEF7000(Tuner) (Thermal pad) (402590-051)	L305	010-3439-51	1.8uH	R181	033-1011-15	1/16W 100 ohm J
			L306	010-3062-53	0.215uH	R182	033-0000-05	1/16W 0 ohm
			L307	010-3104-54	600 ohm/100MHZ	R183	033-4701-15	1/16W 47 ohm J
			L309	010-2290-52	330uH	R184	033-1041-15	1/16W 100k ohm J
IC401	051-3020-90	NJM4565V	L310	010-2290-52	330uH	R185	033-4731-15	1/16W 47k ohm J
IC406	051-6945-90	NCP380HSNAJ AAT1G	L704	010-3104-54	600 ohm/100MHZ	R186	033-3331-15	1/16W 33k ohm J
			L801	010-8049-00	145uH	R187	033-3331-15	1/16W 33k ohm J
IC407	051-3737-97	BU15TD3WG-TR	L802	010-3104-54	600 ohm/100MHZ	R190	033-4731-15	1/16W 47k ohm J
IC411	051-3737-97	BU15TD3WG-TR	L803	010-3104-54	600 ohm/100MHZ	R191	033-3931-15	1/16W 39k ohm J
IC502	051-6945-90	NCP380HSNAJ AAT1G	L804	010-3104-54	600 ohm/100MHZ	R192	033-3931-15	1/16W 39k ohm J
			L805	010-3104-54	600 ohm/100MHZ	R193	033-4731-15	1/16W 47k ohm J
IC503	051-6100-90	BD6221F-E2	L806	010-3559-50	3.3uH	R194	033-1041-15	1/16W 100k ohm J
IC504	-----	BD00C0AWFP (Voltage regulator) (Thermal pad) (358290-051)	L807	010-3560-50	2.7uH	R197	033-4731-15	1/16W 47k ohm J
			L808	010-3104-54	600 ohm/100MHZ	R198	033-1011-15	1/16W 100 ohm J
IC601	051-7202-90	MC74VHC	NF101	060-3124-90	NFM18PS105R0J3 1uF	R199	033-1011-15	1/16W 100 ohm J
		1G32DFT2G	NF701	060-3117-51	CKD510JB1E 223ST	R201	033-0000-05	1/16W 0 ohm
IC602	051-7222-60	MC74VHC	P301	092-2210-01	ANT-RECEPT	R202	033-0000-05	1/16W 0 ohm
		1G08DFT2G	P501	076-0569-02	2P	R204	033-1011-15	1/16W 100 ohm J
IC604	051-7244-90	TC7WZ125FK- TE85L	P502	076-0569-06	6P	R205	033-1031-15	1/16W 10k ohm J
		BD00IA5EEFJ-ME2 (LDO REG) (Exposed Pad) (376390-051)	P601	076-6021-60	10P	R206	033-1031-15	1/16W 10k ohm J
IC702	-----	NJM2886DL3-05- TE1 (Voltage regulator) (Thermal pad) (336890-051)	Q101	192-4116-51	2SC4116 G,L	R207	032-0221-06	1/16W 100k ohm F
			Q102	125-2027-95	DTC143ZUA	R208	032-0210-36	1/10W 22 ohm F
IC801	-----	NJM2886DL3-05- TE1 (Voltage regulator) (Thermal pad) (336890-051)	Q201	125-7007-90	Si5441BDC-TI-E3	R209	032-0221-06	1/16W 100k ohm F
			Q202	125-2027-95	DTC143ZUA	R210	033-1011-15	1/16W 100 ohm J
IC802	051-3711-70	S-1142D35H- E6T2U	Q602	125-2027-95	DTC143ZUA	R211	033-1011-15	1/16W 100 ohm J
IC803	-----	BD00C0 AWFP (Voltage regulator) (Thermal pad) (358290-051)	Q801	125-2027-95	DTC143ZUA	R212	033-1011-15	1/16W 100 ohm J
			Q802	125-2027-95	DTC143ZUA	R213	033-1031-15	1/16W 10k ohm J
IC804	051-3608-80	LTC3850IGN- 1#TRPBF	Q806	125-8044-90	SH8K15GZETB	R214	119-0000-05	1/10W 0 ohm JW
			Q807	125-8044-90	SH8K15GZETB	R215	119-0000-05	1/10W 0 ohm JW
IC805	051-2084-00	TB2941HQ(O)	R110	033-1041-15	1/16W 100k ohm J	R216	033-1011-15	1/16W 100 ohm J
IC806	051-3741-90	NJW4184U2- 15A(TE2)	R111	033-1041-15	1/16W 100k ohm J	R217	119-2201-15	1/10W 22 ohm
			R112	033-1041-15	1/16W 100k ohm J	R218	033-1031-15	1/16W 10k ohm J
J401	074-2248-40	SOCKET(40P)	R113	033-4731-15	1/16W 47k ohm J	R219	033-1031-15	1/16W 10k ohm J
J601	074-2248-80	80P	R114	032-0221-74	1/16W 10k ohm 1%	R220	033-1031-15	1/16W 10k ohm J
J602	074-3062-50	50P	R115	032-0221-74	1/16W 10k ohm 1%	R221	033-3331-15	1/16W 33k ohm J
J801	074-4086-20	OUTLET SOCKET	R120	033-0000-05	1/16W 0 ohm	R222	033-3331-15	1/16W 33k ohm J
L101	010-2279-50	4.7uH	R121	033-6831-15	1/16W 68k ohm J	R223	033-1031-15	1/16W 10k ohm J
L201	010-3104-54	600 ohm/100MHZ	R122	033-4731-15	1/16W 47k ohm J	R224	033-1031-15	1/16W 10k ohm J
L202	010-3104-54	600 ohm/100MHZ	R123	033-0000-05	1/16W 0 ohm	R225	033-4731-15	1/16W 47k ohm J
L203	010-3104-54	600 ohm/100MHZ	R124	033-0000-05	1/16W 0 ohm	R227	033-1031-15	1/16W 10k ohm J
L204	010-3104-54	600 ohm/100MHZ	R126	033-1011-15	1/16W 100 ohm J	R228	033-0000-05	1/16W 0 ohm
L205	010-3104-54	600 ohm/100MHZ	R127	033-4741-15	1/16W 470k ohm J	R229	033-1031-15	1/16W 10k ohm J
L206	010-3104-54	600 ohm/100MHZ	R128	032-0221-30	1/16W 150k ohm F	R230	032-0221-08	1/16W 1k ohm F
L207	010-3104-54	600 ohm/100MHZ	R130	033-4741-15	1/16W 470k ohm J	R231	032-0221-08	1/16W 1k ohm F
L208	010-3104-54	600 ohm/100MHZ	R131	032-0221-94	1/16W 180k ohm F	R232	032-0221-08	1/16W 1k ohm F
L209	010-3104-54	600 ohm/100MHZ	R132	032-0221-10	1/16W 15k ohm F	R233	032-0221-08	1/16W 1k ohm F
L210	010-3104-54	600 ohm/100MHZ	R133	032-0221-06	1/16W 100k ohm F	R237	119-1001-15	1/10W 10 ohm
			R135	032-0221-32	1/16W 220k ohm F	R238	032-0221-63	1/16W 12k ohm F
			R136	032-0221-84	1/16W 27k ohm F	R239	032-0221-63	1/16W 12k ohm F
			R139	032-0221-99	1/16W 100 ohm 1%	R240	032-0221-61	1/16W 6.8k ohm F
			R140	032-0221-06	1/16W 100k ohm F	R243	033-0000-05	1/16W 0 ohm
			R141	119-5611-15	1/10W 560 ohm	R244	033-0000-05	1/16W 0 ohm
			R142	119-1031-15	1/10W 10k ohm	R246	033-1011-15	1/16W 100 ohm J
			R143	033-4731-15	1/16W 47k ohm J	R247	033-1011-15	1/16W 100 ohm J
			R153	033-0000-05	1/16W 0 ohm	R248	033-1011-15	1/16W 100 ohm J
			R156	033-1041-15	1/16W 100k ohm J	R250	033-0000-05	1/16W 0 ohm
			R157	033-1031-15	1/16W 10k ohm J	R251	033-0000-05	1/16W 0 ohm
			R158	033-1041-15	1/16W 100k ohm J	R252	032-0221-84	1/16W 27k ohm F
			R159	033-4721-15	1/16W 4.7k ohm J	R254	033-2231-15	1/16W 22k ohm J
			R160	033-4731-15	1/16W 47k ohm J	R301	119-0000-05	1/10W 0 ohm JW
						R302	033-1811-15	1/16W 180 ohm J

REF NO.	PART NO.	DESCRIPTION	REF NO.	PART NO.	DESCRIPTION	REF NO.	PART NO.	DESCRIPTION
R303	033-3311-15	1/16W 330 ohm J	R633	033-3341-15	1/16W 330k ohm J	R836	033-4791-15	1/16W 4.7 ohm
R304	033-4741-15	1/16W 470k ohm J	R634	033-0000-05	1/16W 0 ohm	R837	032-0225-66	1/16W 3.6k ohm +/- 0.5%
R305	033-1201-15	1/16W 12 ohm	R635	033-0000-05	1/16W 0 ohm	R838	032-0225-88	1/16W 1.5k ohm +/- 0.5%
R306	033-5601-15	1/16W 56 ohm J	R725	033-1011-15	1/16W 100 ohm J	R839	032-0225-75	1/16W 1.3k ohm +/- 0.5%
R311	033-2231-15	1/16W 22k ohm J	R726	033-0000-05	1/16W 0 ohm	R840	032-0225-87	1/16W 75 ohm +/- 0.5%
R313	033-3921-15	1/16W 3.9k ohm J	R727	033-0000-05	1/16W 0 ohm	R841	032-0210-72	1/10W 1.8k ohm 1%
R315	033-1811-15	1/16W 180 ohm J	R728	033-1021-15	1/16W 1k ohm J	R842	033-1031-15	1/16W 10k ohm J
R316	033-1811-15	1/16W 180 ohm J	R729	033-1011-15	1/16W 100 ohm J	R843	032-0210-52	1/10W 10k ohm F
R317	033-0000-05	1/16W 0 ohm	R730	033-1011-15	1/16W 100 ohm J	R844	116-1511-15	1/4W 150 ohm
R318	033-0000-05	1/16W 0 ohm	R731	033-1031-15	1/16W 10k ohm J	R845	116-1511-15	1/4W 150 ohm
R319	033-0000-05	1/16W 0 ohm	R732	033-1031-15	1/16W 10k ohm J	R849	116-1611-15	160ohm 1/4W
R320	033-0000-05	1/16W 0 ohm	R733	033-1041-15	1/16W 100k ohm J	R862	116-0000-05	1/4W 0 ohm JW
R321	033-0000-05	1/16W 0 ohm	R734	033-1021-15	1/16W 1k ohm J	RN101	050-0140-52	1/32W 100 ohm x4J
R332	033-4741-15	1/16W 470k ohm J	R735	033-1041-15	1/16W 100k ohm J	RN201	050-0140-53	1/32W 0 ohm x4J
R333	033-1051-15	1/16W 1M ohm J	R736	033-1021-15	1/16W 1k ohm J	RN202	050-0140-53	1/32W 0 ohm x4J
R334	033-1051-15	1/16W 1M ohm J	R737	032-0221-74	1/16W 10k ohm 1%	RN205	050-0140-66	1/32W 47 ohm x4J
R340	033-0000-05	1/16W 0 ohm	R738	032-0221-33	1/16W 20k ohm F	RN206	050-0140-52	1/32W 100 ohm x4J
R419	032-0221-55	1/16W 1.5k ohm F	R801	032-0208-51	1/4W 15k ohm	RN207	050-0140-53	1/32W 0 ohm x4J
R420	032-0221-51	1/16W 4.7k ohm F	R803	116-4791-15	1/4W 4.7 ohm	RN602	050-0140-52	1/32W 100 ohm x4J
R422	119-0000-05	1/10W 0 ohm JW	R804	116-4791-15	1/4W 4.7 ohm	RN701	050-0140-52	1/32W 100 ohm x4J
R423	032-0221-63	1/16W 12k ohm F	R805	032-0225-86	1/16W 39 ohm +/- 0.5%	T301	010-4100-50	0.215uH
R424	032-0221-65	1/16W 68k ohm F	R807	033-1031-15	1/16W 10k ohm J	TH101	002-0315-00	TN10-3U153JT
R429	033-1011-15	1/16W 100 ohm J	R808	033-1031-15	1/16W 10k ohm J	VR301	001-9212-50	AVR-M2012C390KT6AB
R431	033-1041-15	1/16W 100k ohm J	R815	032-0221-86	1/16W 82k ohm F	VR802	001-9210-50	AVR-M1608C270MTAAD
R433	033-6831-15	1/16W 68k ohm J	R816	032-0221-80	1/16W 6.2k ohm F	VR803	001-9210-50	AVR-M1608C270MTAAD
R437	033-0000-05	1/16W 0 ohm	R817	032-0221-66	1/16W 270 ohm F	X101	061-3574-90	3.981312MHz
R438	116-0000-05	1/4W 0 ohm JW	R818	119-4711-15	1/10W 470 ohm	X201	061-3589-90	41.6MHz
R503	116-3301-15	1/4W 33 ohm	R819	119-4711-15	1/10W 470 ohm	ZD101	001-4343-50	RD6.2SL-T1-A/N1W
R504	116-3301-15	1/4W 33 ohm	R820	033-1041-15	1/16W 100k ohm J	ZD102	001-4305-25	UDZSTE-17 9.1B
R506	033-3321-15	1/16W 3.3k ohm J	R821	033-1041-15	1/16W 100k ohm J	ZD103	001-4305-25	UDZSTE-17 9.1B
R507	032-0221-65	1/16W 68k ohm F	R822	032-0248-01	3/4W 9m ohm F	ZD301	060-8107-50	SURGE PROTECTOR
R509	032-0221-80	1/16W 6.2k ohm F	R823	032-0221-04	1/16W 10 ohm F	ZD401	001-4313-55	HZU7C3L
R516	033-6831-15	1/16W 68k ohm J	R824	032-0221-04	1/16W 10 ohm F	ZD402	001-4313-56	HZU7A1L
R601	033-1011-15	1/16W 100 ohm J	R825	116-2291-15	1/4W 2.2 ohm	ZD801	001-4005-90	1N5361BRLG
R602	033-1011-15	1/16W 100 ohm J	R826	032-0221-04	1/16W 10 ohm F	PWB	039-4697-00	PWB(WITHOUT COMPONENTS)
R605	033-0000-05	1/16W 0 ohm	R827	032-0221-04	1/16W 10 ohm F			
R606	033-0000-05	1/16W 0 ohm	R828	032-0248-00	3/4W 7m ohm F			
R609	033-0000-05	1/16W 0 ohm	R829	032-0221-73	1/16W 2.2k ohm 1%			
R610	119-0000-05	1/10W 0 ohm JW	R830	032-0221-83	1/16W 3.3k ohm F			
R611	033-0000-05	1/16W 0 ohm	R831	032-0221-07	1/16W 56k ohm F			
R612	033-0000-05	1/16W 0 ohm	R832	032-0221-94	1/16W 180k ohm F			
R618	033-0000-05	1/16W 0 ohm	R833	032-0221-86	1/16W 82k ohm F			
R619	033-0000-05	1/16W 0 ohm	R834	032-0221-68	1/16W 430k ohm F			
R623	119-0000-05	1/10W 0 ohm JW	R835	033-4791-15	1/16W 4.7 ohm			
R624	119-0000-05	1/10W 0 ohm JW						
R629	033-4731-15	1/16W 47k ohm J						

AUDIO PWB(B3) section for QY-8250N/QY-8251N

REF NO.	PART NO.	DESCRIPTION	REF NO.	PART NO.	DESCRIPTION	REF NO.	PART NO.	DESCRIPTION
C103	042-1732-90	6.3V 220uF	C305	168-2222-55	2200pF K	C584	045-1011-50	100pFJ CH
C110	045-1011-50	100pFJ CH	C306	166-1201-50	12pF CH	C585	045-1011-50	100pFJ CH
C111	046-1032-78	0.01uF K B	C307	045-2201-50	22pFJ CH	C601	046-1042-78	0.1uF K B
C113	043-0603-90	16V 10uF	C308	046-1022-58	50V 1000pF	C602	046-1042-78	0.1uF K B
C115	046-1042-78	0.1uF K B	C309	046-1022-58	50V 1000pF	C604	166-2201-50	22pF CH
C116	046-1042-78	0.1uF K B	C310	045-3901-50	39pFJ CH	C605	046-1042-78	0.1uF K B
C118	046-1042-78	0.1uF K B	C311	045-1211-50	120pFJ CH	C722	043-0570-90	16V 2.2uF K
C119	046-1042-78	0.1uF K B	C312	045-1501-50	15pFJ CH	C723	043-0570-90	16V 2.2uF K
C120	046-1042-78	0.1uF K B	C313	045-2211-50	220pFJ CH	C724	045-1011-50	100pFJ CH
C121	046-1042-78	0.1uF K B	C315	046-3922-58	3900pF K B	C725	045-2201-50	22pFJ CH
C126	168-4752-98	4.7uF K	C316	046-1022-58	50V 1000pF	C726	045-2201-50	22pFJ CH
C127	045-1201-50	12pFJ CH	C318	046-1032-78	0.01uF K B	C727	045-1011-50	100pFJ CH
C128	045-1201-50	12pFJ CH	C319	046-1032-78	0.01uF K B	C728	046-1022-58	50V 1000pF
C204	046-1042-78	0.1uF K B	C322	046-3322-58	3300pF K B	C729	046-1042-78	0.1uF K B
C205	168-4752-98	4.7uF K	C324	046-2232-78	0.022uF K B	C730	046-1042-78	0.1uF K B
C206	168-4752-98	4.7uF K	C326	046-1022-58	50V 1000pF	C731	042-1753-90	16V 100uF M
C207	046-1042-78	0.1uF K B	C327	046-2232-78	0.022uF K B	C732	042-4015-94	16V 47uF
C208	046-1042-78	0.1uF K B	C330	046-2232-78	0.022uF K B	C733	046-1042-78	0.1uF K B
C209	046-1042-78	0.1uF K B	C332	046-2232-78	0.022uF K B	C738	045-1011-50	100pFJ CH
C210	046-1042-78	0.1uF K B	C333	046-2232-78	0.022uF K B	C739	045-1011-50	100pFJ CH
C211	046-1042-78	0.1uF K B	C336	043-0562-90	10V 0.22uF	C801	042-4441-10	25V 4700uF
C212	045-8097-50	8pF +/-0.5pF CH	C337	046-2232-78	0.022uF K B	C802	043-5600-90	0.10uF
C213	045-1007-50	10 +/-0.5pF CH	C340	043-0563-90	16V 47uF	C803	043-0574-90	25V 1.0uF
C214	046-1042-78	0.1uF K B	C359	045-4796-50	4.7pFJ CH	C804	043-0603-90	16V 10uF
C216	168-4752-98	4.7uF K	C361	046-1042-78	0.1uF K B	C805	043-0570-90	16V 2.2uF K
C218	046-1042-78	0.1uF K B	C402	046-1042-78	0.1uF K B	C809	043-0603-90	16V 10uF
C219	165-1073-35	16V 100uF	C403	046-1042-78	0.1uF K B	C810	043-5600-90	0.10uF
C220	046-1042-78	0.1uF K B	C406	046-1042-78	0.1uF K B	C812	168-2222-55	2200pF K
C221	168-4752-98	4.7uF K	C407	043-0603-90	16V 10uF	C813	166-1021-50	1000pF CH
C222	046-1042-78	0.1uF K B	C430	165-4763-35	16V 47uF	C814	166-1021-50	1000pF CH
C223	046-1042-78	0.1uF K B	C431	042-4015-94	16V 47uF	C815	166-1011-50	100pF CH
C225	046-1042-78	0.1uF K B	C438	165-1073-35	16V 100uF	C816	043-0554-90	25V 10uF
C226	046-1042-78	0.1uF K B	C440	043-0570-90	16V 2.2uF K	C817	178-2232-55	0.022uF
C227	046-1042-78	0.1uF K B	C441	043-0570-90	16V 2.2uF K	C818	166-1021-50	1000pF CH
C228	043-0559-90	6.3V 22uF	C442	168-1052-78	16V 1uF K	C819	043-5600-90	0.10uF
C229	168-1052-78	16V 1uF K	C443	168-1052-78	16V 1uF K	C820	043-0603-90	16V 10uF
C230	046-1042-78	0.1uF K B	C447	043-0570-90	16V 2.2uF K	C821	166-1011-50	100pF CH
C231	168-1052-78	16V 1uF K	C448	043-0570-90	16V 2.2uF K	C822	166-1011-50	100pF CH
C232	043-0552-90	6.3V 47uF M	C515	046-1042-78	0.1uF K B	C823	046-1042-78	0.1uF K B
C233	046-1042-78	0.1uF K B	C517	043-0554-90	25V 10uF	C824	046-1042-78	0.1uF K B
C234	046-1042-78	0.1uF K B	C518	042-4015-94	16V 47uF	C825	043-6400-90	16V 4.7uF K
C235	046-1042-78	0.1uF K B	C519	043-7701-90	2.2uF	C826	046-1022-58	50V 1000pF
C237	045-2201-50	22pFJ CH	C541	046-1042-78	0.1uF K B	C827	043-7503-90	4.7uF
C238	046-1042-78	0.1uF K B	C542	046-1042-78	0.1uF K B	C828	168-1042-78	16V 0.1uF K
C239	046-1042-78	0.1uF K B	C543	046-1042-78	0.1uF K B	C829	043-0554-90	25V 10uF
C240	046-1042-78	0.1uF K B	C544	046-1042-78	0.1uF K B	C830	042-4015-94	16V 47uF
C241	045-4711-50	470pFJ CH	C545	046-5612-58	560pF K B	C831	043-7702-90	1.0uF
C242	046-1042-78	0.1uF K B	C546	046-5612-58	560pF K B	C832	046-1022-58	50V 1000pF
C243	046-3322-58	3300pF K B	C547	046-5612-58	560pF K B	C833	043-7503-90	4.7uF
C244	046-3322-58	3300pF K B	C548	046-5612-58	560pF K B	C834	168-1042-78	16V 0.1uF K
C245	042-1732-90	6.3V 220uF	C549	046-5612-58	560pF K B	C835	043-0554-90	25V 10uF
C246	046-3322-58	3300pF K B	C550	046-5612-58	560pF K B	C836	042-4015-94	16V 47uF
C247	046-3322-58	3300pF K B	C551	046-5612-58	560pF K B	C837	046-3322-58	3300pF K B
C248	046-1042-78	0.1uF K B	C552	046-5612-58	560pF K B	C838	045-2211-50	220pFJ CH
C249	046-3322-58	3300pF K B	C557	043-0570-90	16V 2.2uF K	C839	046-1032-78	0.01uF K B
C250	046-3322-58	3300pF K B	C558	043-0570-90	16V 2.2uF K	C840	046-2222-58	2200pF K B
C251	043-0603-90	16V 10uF	C559	045-2201-50	22pFJ CH	C841	045-2211-50	220pFJ CH
C252	043-0603-90	16V 10uF	C560	045-2201-50	22pFJ CH	C842	046-1032-78	0.01uF K B
C254	046-1042-78	0.1uF K B	C561	045-2201-50	22pFJ CH	C845	042-0643-54	25V 470uF
C255	045-2201-50	22pFJ CH	C562	045-2201-50	22pFJ CH	C846	043-7503-90	4.7uF
C256	046-1042-78	0.1uF K B	C563	043-0570-90	16V 2.2uF K	C847	043-7503-90	4.7uF
C257	046-1042-78	0.1uF K B	C564	043-0570-90	16V 2.2uF K	C848	046-1042-78	0.1uF K B
C258	046-1042-78	0.1uF K B	C565	045-2201-50	22pFJ CH	C871	165-1063-55	35V 10uF
C259	046-1042-78	0.1uF K B	C566	045-2201-50	22pFJ CH	C872	165-1063-55	35V 10uF
C260	046-1042-78	0.1uF K B	C567	045-2201-50	22pFJ CH	C874	043-5600-90	0.10uF
C262	046-1042-78	0.1uF K B	C568	045-2201-50	22pFJ CH	C875	165-1063-55	35V 10uF
C263	046-1022-58	50V 1000pF	C569	165-3363-25	10V 33uF	C876	043-0554-90	25V 10uF
C264	046-1522-58	1500pF K B	C570	165-3363-25	10V 33uF	C881	043-0554-90	25V 10uF
C265	046-1522-58	1500pF K B	C571	165-3363-25	10V 33uF	C882	043-0554-90	25V 10uF
C266	046-1522-58	1500pF K B	C572	165-3363-25	10V 33uF	C883	043-0554-90	25V 10uF
C267	046-1522-58	1500pF K B	C573	165-3363-25	10V 33uF	C885	168-1832-55	0.018uF K
C269	043-0603-90	16V 10uF	C574	165-3363-25	10V 33uF	C886	168-1832-55	0.018uF K
C271	043-0603-90	16V 10uF	C575	165-3363-25	10V 33uF	C887	168-1832-55	0.018uF K
C283	043-0603-90	16V 10uF	C576	165-3363-25	10V 33uF	C888	168-1832-55	0.018uF K

REF NO.	PART NO.	DESCRIPTION	REF NO.	PART NO.	DESCRIPTION	REF NO.	PART NO.	DESCRIPTION
C889	168-1832-55	0.018uF K	IC806	051-3741-90	NJW4184U2-15A(TE2)	R130	033-4741-15	1/16W 470k ohm J
C890	168-1832-55	0.018uF K	J401	074-2248-40	SOCKET(40P)	R131	032-0221-94	1/16W 180k ohm F
C891	168-1832-55	0.018uF K	J601	074-2248-80	80P	R132	032-0221-10	1/16W 15k ohm F
C892	168-1832-55	0.018uF K	J602	074-3062-50	50P	R133	032-0221-06	1/16W 100k ohm F
C916	176-2221-50	2200pF CH	J801	074-4086-20	OUTLET SOCKET	R135	032-0221-32	1/16W 220k ohm F
D101	001-2630-90	1SS420-TPL3,F	L101	010-2279-50	4.7uH	R136	032-0221-84	1/16W 27k ohm F
D301	001-9013-90	BA891	L201	010-3104-54	600 ohm/100MHz	R139	032-0221-99	1/16W 100 ohm 1%
D302	001-9013-90	BA891	L202	010-3104-54	600 ohm/100MHz	R140	032-0221-06	1/16W 100k ohm F
D801	001-2629-90	D1FM3-5063	L203	010-3104-54	600 ohm/100MHz	R141	119-5611-15	1/10W 560 ohm
D802	001-1325-90	1SS387	L204	010-3104-54	600 ohm/100MHz	R142	119-1031-15	1/10W 10k ohm
D804	001-2633-90	1SS388-TPL3,F	L205	010-3104-54	600 ohm/100MHz	R143	033-4731-15	1/16W 47k ohm J
D805	001-2633-90	1SS388-TPL3,F	L206	010-3104-54	600 ohm/100MHz	R151	033-0000-05	1/16W 0 ohm
D807	001-2412-90	RR264M-400	L207	010-3104-54	600 ohm/100MHz	R153	033-0000-05	1/16W 0 ohm
ET809	073-0787-90	TERMINAL	L208	010-3104-54	600 ohm/100MHz	R156	033-1041-15	1/16W 100k ohm J
FE701	941-0239-80	TUNER PACK(HD)	L209	010-3104-54	600 ohm/100MHz	R157	033-1031-15	1/16W 10k ohm J
IC101	052-0329-20	UPD70F3333GC(A)-UEU-AX	L210	010-3104-54	600 ohm/100MHz	R158	033-1041-15	1/16W 100k ohm J
IC102	051-5440-80	S-1009N311-N4T1U	L211	010-3104-54	600 ohm/100MHz	R159	033-4721-15	1/16W 4.7k ohm J
IC103	051-5486-90	PST852A440UM	L212	010-3104-54	600 ohm/100MHz	R160	033-4731-15	1/16W 47k ohm J
IC104	051-5486-90	PST852A440UM	L213	010-3104-54	600 ohm/100MHz	R161	033-1011-15	1/16W 100 ohm J
IC107	051-7281-60	MC74VHC1G14 DFT2G	L214	010-3104-54	600 ohm/100MHz	R162	033-3331-15	1/16W 33k ohm J
IC108	051-7202-90	MC74VHC1G32 DFT2G	L215	010-3104-54	600 ohm/100MHz	R163	033-0000-05	1/16W 0 ohm
IC109	051-7202-90	MC74VHC1G32 DFT2G	L216	010-3104-54	600 ohm/100MHz	R164	032-0221-61	1/16W 6.8k ohm F
IC110	051-7222-60	MC74VHC1G08 DFT2G	L217	010-3104-54	600 ohm/100MHz	R165	033-1041-15	1/16W 100k ohm J
IC201	-----	SAF7741HV/N127 (DSP)	L218	010-3104-54	600 ohm/100MHz	R166	033-1041-15	1/16W 100k ohm J
IC202	051-7106-90	CD4052B-PWR	L219	010-3104-54	600 ohm/100MHz	R167	033-4731-15	1/16W 47k ohm J
IC203	-----	BD00C0AWFP (Voltage regulator)	L220	010-3104-54	600 ohm/100MHz	R168	033-4731-15	1/16W 47k ohm J
IC301	-----	TEF7000 (Tuner)	L221	010-3104-54	600 ohm/100MHz	R169	033-1021-15	1/16W 1k ohm J
IC401	051-3020-90	NJM4565V	L222	010-3105-70	240ohm/100MHz	R170	033-1021-15	1/16W 1k ohm J
IC406	051-6945-90	NCP380HSNAJ AAT1G	L302	010-3062-54	290nH	R171	032-0221-06	1/16W 100k ohm F
IC407	051-3737-97	BU15TD3WG-TR	L303	010-3406-56	3.3uH J	R172	033-0000-05	1/16W 0 ohm
IC411	051-3737-97	BU15TD3WG-TR	L304	010-3062-56	0.5uH	R176	032-0221-74	1/16W 10k ohm 1%
IC503	051-6100-90	BD6221F-E2	L305	010-3439-51	1.8uH	R179	033-1031-15	1/16W 10k ohm J
IC504	-----	BD00C0AWFP (Voltage regulator)	L306	010-3062-53	0.215uH	R180	033-1031-15	1/16W 10k ohm J
IC506	051-3019-90	NJM2060V	L307	010-3104-54	600 ohm/100MHz	R181	033-1011-15	1/16W 100 ohm J
IC507	051-3019-90	NJM2060V	L309	010-2290-52	330uH	R182	033-0000-05	1/16W 0 ohm
IC508	051-3019-90	NJM2060V	L310	010-2290-52	330uH	R183	033-4701-15	1/16W 47 ohm J
IC601	051-7202-90	MC74VHC1G32 DFT2G	L704	010-3104-54	600 ohm/100MHz	R184	033-1041-15	1/16W 100k ohm J
IC602	051-7222-60	MC74VHC1G08 DFT2G	L801	010-8049-00	145uH	R185	033-4731-15	1/16W 47k ohm J
IC604	051-7244-90	TC7WZ125FK-TE85L	L802	010-3104-54	600 ohm/100MHz	R186	033-3331-15	1/16W 33k ohm J
IC702	-----	BD00IA5EEFJ-ME2 (LDO REG)	L803	010-3104-54	600 ohm/100MHz	R187	033-3331-15	1/16W 33k ohm J
IC801	-----	(Exposed Pad)	L804	010-3104-54	600 ohm/100MHz	R190	033-4731-15	1/16W 47k ohm J
IC802	051-37111-70	S-1142D35H-6T2U	L805	010-3104-54	600 ohm/100MHz	R191	033-3931-15	1/16W 39k ohm J
IC803	-----	BD00C0AWFP (Voltage regulator)	L806	010-3559-50	3.3uH	R192	033-3931-15	1/16W 39k ohm J
IC804	051-3608-80	LTC3850IGN-1#TRPBF	L807	010-3560-50	2.7uH	R193	033-4731-15	1/16W 47k ohm J
			L808	010-3104-54	600 ohm/100MHz	R194	033-1041-15	1/16W 100k ohm J
			NF101	060-3124-90	NFM18PS105R0J3 1uF	R197	033-4731-15	1/16W 47k ohm J
			NF701	060-3117-51	CKD510JB1E 223ST	R198	033-1011-15	1/16W 100 ohm J
			P301	092-2210-01	ANT-RECEPT	R199	033-1011-15	1/16W 100 ohm J
			P502	076-0569-06	6P	R201	033-0000-05	1/16W 0 ohm
			P601	076-6021-60	10P	R202	033-0000-05	1/16W 0 ohm
			Q101	192-4116-51	2SC4116 G,L	R204	033-1011-15	1/16W 100 ohm J
			Q102	125-2027-95	DTC143ZUA	R205	033-1031-15	1/16W 10k ohm J
			Q201	125-7007-90	Si5441BDC-TI-E3	R206	033-1031-15	1/16W 10k ohm J
			Q202	125-2027-95	DTC143ZUA	R207	032-0221-06	1/16W 100k ohm F
			Q602	125-2027-95	DTC143ZUA	R208	032-0210-36	1/10W 22 ohm F
			Q801	125-2027-95	DTC143ZUA	R209	032-0221-06	1/16W 22k ohm F
			Q802	125-2027-95	DTC143ZUA	R210	033-1011-15	1/16W 100 ohm J
			Q805	125-9017-92	UMD3N-TR	R211	033-1011-15	1/16W 100 ohm J
			Q806	125-8044-90	SH8K15GZETB	R212	033-1011-15	1/16W 100 ohm J
			Q807	125-8044-90	SH8K15GZETB	R213	033-1031-15	1/16W 10k ohm J
			R110	033-1041-15	1/16W 100k ohm J	R214	119-0000-05	1/10W 0 ohm JW
			R111	033-1041-15	1/16W 100k ohm J	R215	119-0000-05	1/10W 0 ohm JW
			R112	033-1041-15	1/16W 100k ohm J	R216	033-1011-15	1/16W 100 ohm J
			R113	033-4731-15	1/16W 47k ohm J	R217	119-2201-15	1/10W 22 ohm
			R114	032-0221-74	1/16W 10k ohm 1%	R218	033-1031-15	1/16W 10k ohm J
			R115	032-0221-74	1/16W 10k ohm 1%	R219	033-1031-15	1/16W 10k ohm J
			R120	033-0000-05	1/16W 0 ohm	R220	033-1031-15	1/16W 10k ohm J
			R121	033-6831-15	1/16W 68k ohm J	R221	033-3331-15	1/16W 33k ohm J
			R123	033-4731-15	1/16W 47k ohm J	R222	033-3331-15	1/16W 33k ohm J
			R124	033-0000-05	1/16W 0 ohm	R223	033-1031-15	1/16W 10k ohm J
			R126	033-1011-15	1/16W 100 ohm J	R224	033-1031-15	1/16W 10k ohm J
			R127	033-4741-15	1/16W 470k ohm J	R225	033-4731-15	1/16W 47k ohm J
			R128	032-0221-30	1/16W 150k ohm F	R227	033-1031-15	1/16W 10k ohm J
						R228	033-0000-05	1/16W 0 ohm
						R229	033-1031-15	1/16W 10k ohm J
						R230	032-0221-08	1/16W 1k ohm F

REF NO.	PART NO.	DESCRIPTION	REF NO.	PART NO.	DESCRIPTION	REF NO.	PART NO.	DESCRIPTION
R231	032-0221-08	1/16W 1k ohm F	R549	119-1001-15	1/10W 10 ohm	R824	032-0221-04	1/16W 10 ohm F
R232	032-0221-08	1/16W 1k ohm F	R550	119-1001-15	1/10W 10 ohm	R825	116-2291-15	1/4W 2.2 ohm
R233	032-0221-08	1/16W 1k ohm F	R551	033-1531-15	1/16W 15k ohm J	R826	032-0221-04	1/16W 10 ohm F
R237	119-1001-15	1/10W 10 ohm	R552	033-1531-15	1/16W 15k ohm J	R827	032-0221-04	1/16W 10 ohm F
R238	032-0221-63	1/16W 12k ohm F	R553	033-2731-15	1/16W 27k ohm J	R828	032-0248-00	3/4W 7m ohm F
R239	032-0221-63	1/16W 12k ohm F	R554	033-2731-15	1/16W 27k ohm J	R829	032-0221-73	1/16W 2.2k ohm 1%
R240	032-0221-61	1/16W 6.8k ohm F	R555	119-2231-15	1/10W 22k ohm	R830	032-0221-83	1/16W 3.3k ohm F
R243	033-0000-05	1/16W 0 ohm	R556	119-2231-15	1/10W 22k ohm	R831	032-0221-07	1/16W 56k ohm F
R244	033-0000-05	1/16W 0 ohm	R557	119-1001-15	1/10W 10 ohm	R832	032-0221-94	1/16W 180k ohm F
R246	033-1011-15	1/16W 100 ohm J	R558	119-1001-15	1/10W 10 ohm	R833	032-0221-86	1/16W 82k ohm F
R247	033-1011-15	1/16W 100 ohm J	R561	033-3321-15	1/16W 3.3k ohm J	R834	032-0221-68	1/16W 430k ohm F
R248	033-1011-15	1/16W 100 ohm J	R562	033-3321-15	1/16W 3.3k ohm J	R835	033-4791-15	1/16W 4.7 ohm
R250	033-0000-05	1/16W 0 ohm	R563	119-2231-15	1/10W 22k ohm	R836	033-4791-15	1/16W 4.7 ohm
R251	033-0000-05	1/16W 0 ohm	R564	119-2231-15	1/10W 22k ohm	R837	032-0225-66	1/16W 3.6k ohm +/- 0.5%
R252	032-0221-84	1/16W 27k ohm F	R565	119-2231-15	1/10W 22k ohm	R838	032-0225-88	1/16W 1.5k ohm +/- 0.5%
R254	033-2231-15	1/16W 22k ohm J	R566	119-2231-15	1/10W 22k ohm	R839	032-0225-75	1/16W 1.3k ohm +/- 0.5%
R266	033-0000-05	1/16W 0 ohm	R567	119-1001-15	1/10W 10 ohm	R840	032-0225-87	1/16W 75 ohm +/- 0.5%
R301	119-0000-05	1/10W 0 ohm JW	R568	119-1001-15	1/10W 10 ohm	R844	116-1511-15	1/4W 150 ohm
R302	033-1811-15	1/16W 180 ohm J	R569	033-1531-15	1/16W 15k ohm J	R845	116-1511-15	1/4W 150 ohm
R303	033-3311-15	1/16W 330 ohm J	R570	033-1531-15	1/16W 15k ohm J	R849	116-1611-15	160ohm 1/4W
R304	033-4741-15	1/16W 470k ohm J	R571	033-2731-15	1/16W 27k ohm J	R862	116-0000-05	1/4W 0 ohm JW
R305	033-1201-15	1/16W 12 ohm	R572	033-2731-15	1/16W 27k ohm J	RN101	050-0140-52	1/32W 100 ohm x4J
R306	033-5601-15	1/16W 56 ohm J	R573	119-2231-15	1/10W 22k ohm	RN201	050-0140-53	1/32W 0 ohm x4J
R311	033-2231-15	1/16W 22k ohm J	R574	119-2231-15	1/10W 22k ohm	RN202	050-0140-53	1/32W 0 ohm x4J
R313	033-3921-15	1/16W 3.9k ohm J	R575	119-1001-15	1/10W 10 ohm	RN205	050-0140-66	1/32W 47 ohm x4J
R315	033-1811-15	1/16W 180 ohm J	R576	119-1001-15	1/10W 10 ohm	RN206	050-0140-52	1/32W 100 ohm x4J
R316	033-1811-15	1/16W 180 ohm J	R601	033-1011-15	1/16W 100 ohm J	RN207	050-0140-53	1/32W 0 ohm x4J
R317	033-0000-05	1/16W 0 ohm	R602	033-1011-15	1/16W 100 ohm J	RN602	050-0140-52	1/32W 100 ohm x4J
R318	033-0000-05	1/16W 0 ohm	R605	033-0000-05	1/16W 0 ohm	RN701	050-0140-52	1/32W 100 ohm x4J
R319	033-0000-05	1/16W 0 ohm	R606	033-0000-05	1/16W 0 ohm	T301	010-4100-50	0.215uH
R320	033-0000-05	1/16W 0 ohm	R609	033-0000-05	1/16W 0 ohm	TH101	002-0315-00	TN10-3U153JT
R321	033-0000-05	1/16W 0 ohm	R610	119-0000-05	1/10W 0 ohm JW	VR301	001-9212-50	AVR- M2012C390KT6AB
R322	033-4741-15	1/16W 470k ohm J	R611	033-0000-05	1/16W 0 ohm	VR801	001-9212-50	AVR- M2012C390KT6AB
R333	033-1051-15	1/16W 1M ohm J	R612	033-0000-05	1/16W 0 ohm	VR802	001-9210-50	AVR- M1608C270MTAAD
R334	033-1051-15	1/16W 1M ohm J	R618	033-0000-05	1/16W 0 ohm	VR803	001-9210-50	AVR- M1608C270MTAAD
R340	033-0000-05	1/16W 0 ohm	R619	033-0000-05	1/16W 0 ohm	VR806	001-9210-50	AVR- M1608C270MTAAD
R419	032-0221-55	1/16W 1.5k ohm F	R623	119-0000-05	1/10W 0 ohm JW	VR807	001-9210-50	AVR- M1608C270MTAAD
R420	032-0221-51	1/16W 4.7k ohm F	R624	119-0000-05	1/10W 0 ohm JW	VR808	001-9210-50	AVR- M1608C270MTAAD
R422	119-0000-05	1/10W 0 ohm JW	R629	033-4731-15	1/16W 47k ohm J	VR809	001-9210-50	AVR- M1608C270MTAAD
R423	032-0221-63	1/16W 12k ohm F	R633	033-3341-15	1/16W 330k ohm J	VR810	001-9210-50	AVR- M1608C270MTAAD
R424	032-0221-65	1/16W 68k ohm F	R634	033-0000-05	1/16W 0 ohm	VR811	001-9210-50	AVR- M1608C270MTAAD
R429	033-1011-15	1/16W 100 ohm J	R635	033-0000-05	1/16W 0 ohm	VR812	001-9210-50	AVR- M1608C270MTAAD
R431	033-1041-15	1/16W 100k ohm J	R725	033-1011-15	1/16W 100 ohm J	VR813	001-9210-50	AVR- M1608C270MTAAD
R433	033-6831-15	1/16W 68k ohm J	R726	033-0000-05	1/16W 0 ohm	X101	061-3574-90	3.981312MHz
R437	033-0000-05	1/16W 0 ohm	R727	033-0000-05	1/16W 0 ohm	X201	061-3589-90	41.6MHz
R438	116-0000-05	1/4W 0 ohm JW	R728	033-1021-15	1/16W 1k ohm J	ZD101	001-4343-50	RD6.2SL-T1-A/ N1W
R506	033-3321-15	1/16W 3.3k ohm J	R729	033-1011-15	1/16W 100 ohm J	ZD102	001-4305-25	UDZSTE-17 9.1B
R507	032-0221-65	1/16W 68k ohm F	R730	033-1011-15	1/16W 100 ohm J	ZD103	001-4305-25	UDZSTE-17 9.1B
R509	032-0221-80	1/16W 6.2k ohm F	R731	033-1031-15	1/16W 10k ohm J	ZD301	060-8107-50	SURGE PROTECTOR
R521	033-1031-15	1/16W 10k ohm J	R732	033-1031-15	1/16W 10k ohm J	ZD401	001-4313-55	HZU7C3L
R522	033-1031-15	1/16W 10k ohm J	R733	033-1041-15	1/16W 100k ohm J	ZD402	001-4313-56	HZU7A1L
R523	033-1031-15	1/16W 10k ohm J	R734	033-1021-15	1/16W 1k ohm J	ZD801	001-4005-90	1N5361BRLG
R524	033-1031-15	1/16W 10k ohm J	R735	033-1041-15	1/16W 100k ohm J	PWB	039-4698-00	PWB(WITHOUT COMPONENTS)
R525	033-1031-15	1/16W 10k ohm J	R736	033-1021-15	1/16W 1k ohm J			
R526	033-1031-15	1/16W 10k ohm J	R737	032-0221-74	1/16W 10k ohm 1%			
R527	033-1031-15	1/16W 10k ohm J	R738	032-0221-33	1/16W 20k ohm F			
R528	033-1031-15	1/16W 10k ohm J	R801	032-0208-51	1/4W 15k ohm			
R529	033-1031-15	1/16W 10k ohm J	R803	116-4791-15	1/4W 4.7 ohm			
R530	033-1031-15	1/16W 10k ohm J	R804	116-4791-15	1/4W 4.7 ohm			
R531	033-1031-15	1/16W 10k ohm J	R805	032-0225-86	1/16W 39 ohm +/- 0.5%			
R532	033-1031-15	1/16W 10k ohm J	R807	033-1031-15	1/16W 10k ohm J			
R533	033-1031-15	1/16W 10k ohm J	R808	033-1031-15	1/16W 10k ohm J			
R534	033-1031-15	1/16W 10k ohm J	R812	116-8211-15	1/4W 820 ohm			
R535	033-1031-15	1/16W 10k ohm J	R813	116-8211-15	1/4W 820 ohm			
R536	033-1031-15	1/16W 10k ohm J	R814	116-8211-15	1/4W 820 ohm			
R537	033-1051-15	1/16W 1M ohm J	R815	032-0221-86	1/16W 82k ohm F			
R538	033-1051-15	1/16W 1M ohm J	R816	032-0221-80	1/16W 6.2k ohm F			
R539	033-1051-15	1/16W 1M ohm J	R817	032-0221-66	1/16W 270 ohm F			
R540	033-1051-15	1/16W 1M ohm J	R818	119-4711-15	1/10W 470 ohm			
R543	033-3321-15	1/16W 3.3k ohm J	R819	119-4711-15	1/10W 470 ohm			
R544	033-3321-15	1/16W 3.3k ohm J	R820	033-1041-15	1/16W 100k ohm J			
R545	119-2231-15	1/10W 22k ohm	R821	033-1041-15	1/16W 100k ohm J			
R546	119-2231-15	1/10W 22k ohm	R822	032-0248-01	3/4W 9m ohm F			
R547	119-2231-15	1/10W 22k ohm	R823	032-0221-04	1/16W 10 ohm F			
R548	119-2231-15	1/10W 22k ohm						

CPU PWB(B4) section for QY-8200N/QY-8201N/QY-8250N/QY-8251N

REF NO.	PART NO.	DESCRIPTION	REF NO.	PART NO.	DESCRIPTION	REF NO.	PART NO.	DESCRIPTION
ANT0900	092-2255-04	ANT-RECEPT	C0392	046-1042-78	0.1uF K B	C0480	046-1042-78	0.1uF K B
C0101	046-1042-78	0.1uF K B	C0393	046-1042-78	0.1uF K B	C0481	043-0577-90	6.3V 1.0uF
C0105	046-1032-78	0.01uF K B	C0394	046-1042-78	0.1uF K B	C0482	043-0577-90	6.3V 1.0uF
C0107	046-1022-58	50V 1000pF	C0395	043-0572-90	6.3V 100uF	C0483	043-0577-90	6.3V 1.0uF
C0109	046-1022-58	50V 1000pF	C0396	043-0577-90	6.3V 1.0uF	C0484	043-0577-90	6.3V 1.0uF
C0111	046-1042-78	0.1uF K B	C0397	043-0577-90	6.3V 1.0uF	C0485	043-0577-90	6.3V 1.0uF
C0113	046-1042-78	0.1uF K B	C0398	043-0577-90	6.3V 1.0uF	C0486	043-0577-90	6.3V 1.0uF
C0114	046-1022-58	50V 1000pF	C0400	046-1042-78	0.1uF K B	C0487	043-0577-90	6.3V 1.0uF
C0115	046-1042-78	0.1uF K B	C0401	046-1042-78	0.1uF K B	C0488	043-0577-90	6.3V 1.0uF
C0116	046-1022-58	50V 1000pF	C0402	046-1042-78	0.1uF K B	C0489	043-0577-90	6.3V 1.0uF
C0117	046-1042-78	0.1uF K B	C0403	046-1042-78	0.1uF K B	C0490	043-0577-90	6.3V 1.0uF
C0200	045-1007-50	10 +/-0.5pF CH	C0404	046-1042-78	0.1uF K B	C0491	043-0577-90	6.3V 1.0uF
C0300	046-1042-78	0.1uF K B	C0406	046-1042-78	0.1uF K B	C0492	043-0577-90	6.3V 1.0uF
C0301	046-1042-78	0.1uF K B	C0407	046-1042-78	0.1uF K B	C0500	178-1062-88	10uF
C0302	046-1042-78	0.1uF K B	C0408	046-1042-78	0.1uF K B	C0501	046-1042-78	0.1uF K B
C0303	046-1042-78	0.1uF K B	C0409	046-1042-78	0.1uF K B	C0502	178-1062-88	10uF
C0304	046-1042-78	0.1uF K B	C0410	046-1022-58	50V 1000pF	C0503	046-1042-78	0.1uF K B
C0305	046-1042-78	0.1uF K B	C0411	046-1022-58	50V 1000pF	C0504	046-1042-78	0.1uF K B
C0306	046-1042-78	0.1uF K B	C0412	046-1042-78	0.1uF K B	C0505	046-1032-78	0.01uF K B
C0307	046-1042-78	0.1uF K B	C0413	046-1042-78	0.1uF K B	C0509	046-1032-78	0.01uF K B
C0309	046-1042-78	0.1uF K B	C0414	046-1042-78	0.1uF K B	C0510	046-1032-78	0.01uF K B
C0310	046-1042-78	0.1uF K B	C0415	046-1042-78	0.1uF K B	C0511	046-1042-78	0.1uF K B
C0311	046-1042-78	0.1uF K B	C0416	046-1042-78	0.1uF K B	C0512	046-1042-78	0.1uF K B
C0312	046-1042-78	0.1uF K B	C0417	046-1042-78	0.1uF K B	C0513	046-1032-78	0.01uF K B
C0313	046-1042-78	0.1uF K B	C0418	046-1042-78	0.1uF K B	C0514	046-1032-78	0.01uF K B
C0314	046-1042-78	0.1uF K B	C0419	046-1042-78	0.1uF K B	C0515	046-1042-78	0.1uF K B
C0315	046-1042-78	0.1uF K B	C0420	046-1022-58	50V 1000pF	C0516	046-1032-78	0.01uF K B
C0316	046-1042-78	0.1uF K B	C0421	046-1042-78	0.1uF K B	C0518	046-1042-78	0.1uF K B
C0317	046-1042-78	0.1uF K B	C0422	046-1042-78	0.1uF K B	C0519	168-1042-78	16V 0.1uF K
C0318	046-1042-78	0.1uF K B	C0423	046-1042-78	0.1uF K B	C0602	046-1042-78	0.1uF K B
C0319	046-1042-78	0.1uF K B	C0424	046-1022-58	50V 1000pF	C0607	046-1032-78	0.01uF K B
C0320	046-1042-78	0.1uF K B	C0425	046-1022-58	50V 1000pF	C0608	045-1096-50	1pF 50V
C0321	046-1042-78	0.1uF K B	C0426	046-1042-78	0.1uF K B	C0609	046-1032-78	0.01uF K B
C0323	046-1042-78	0.1uF K B	C0427	046-1042-78	0.1uF K B	C0610	045-1096-50	1pF 50V
C0324	046-1042-78	0.1uF K B	C0428	046-1042-78	0.1uF K B	C0611	046-1032-78	0.01uF K B
C0325	046-1042-78	0.1uF K B	C0429	046-1042-78	0.1uF K B	C0612	046-1042-78	0.1uF K B
C0326	046-1042-78	0.1uF K B	C0430	046-1042-78	0.1uF K B	C0613	178-1062-88	10uF
C0327	046-1042-78	0.1uF K B	C0431	046-1042-78	0.1uF K B	C0614	046-1032-78	0.01uF K B
C0328	046-1042-78	0.1uF K B	C0432	046-1042-78	0.1uF K B	C0615	043-0552-90	6.3V 47uF M
C0329	046-1042-78	0.1uF K B	C0433	046-1042-78	0.1uF K B	C0616	046-1042-78	0.1uF K B
C0330	046-1042-78	0.1uF K B	C0434	046-1042-78	0.1uF K B	C0617	178-1062-88	10uF
C0348	046-1042-78	0.1uF K B	C0435	046-1042-78	0.1uF K B	C0618	178-1062-88	10uF
C0349	046-1042-78	0.1uF K B	C0436	046-1042-78	0.1uF K B	C0619	168-1032-55	0.01uF K
C0356	046-1042-78	0.1uF K B	C0437	046-1042-78	0.1uF K B	C0632	046-1042-78	0.1uF K B
C0357	046-1042-78	0.1uF K B	C0438	046-1042-78	0.1uF K B	C0633	046-1042-78	0.1uF K B
C0358	046-1042-78	0.1uF K B	C0439	046-1042-78	0.1uF K B	C0634	046-1042-78	0.1uF K B
C0359	046-1042-78	0.1uF K B	C0441	043-0577-90	6.3V 1.0uF	C0700	046-1032-78	0.01uF K B
C0360	046-1042-78	0.1uF K B	C0442	043-0577-90	6.3V 1.0uF	C0701	178-1062-88	10uF
C0361	046-1032-78	0.01uF K B	C0443	043-0577-90	6.3V 1.0uF	C0703	046-1042-78	0.1uF K B
C0362	046-1032-78	0.01uF K B	C0444	043-0577-90	6.3V 1.0uF	C0705	046-1042-78	0.1uF K B
C0363	046-1032-78	0.01uF K B	C0445	043-0577-90	6.3V 1.0uF	C0706	046-1042-78	0.1uF K B
C0364	046-1032-78	0.01uF K B	C0446	046-1022-58	50V 1000pF	C0707	046-1032-78	0.01uF K B
C0365	046-1032-78	0.01uF K B	C0447	046-1022-58	50V 1000pF	C0708	046-1042-78	0.1uF K B
C0366	046-1032-78	0.01uF K B	C0449	046-1042-78	0.1uF K B	C0709	045-1011-50	100pFJ CH
C0367	046-1032-78	0.01uF K B	C0450	046-1042-78	0.1uF K B	C0710	168-4742-78	0.47uF K
C0368	046-1042-78	0.1uF K B	C0451	043-0577-90	6.3V 1.0uF	C0711	046-1032-78	0.01uF K B
C0369	046-1042-78	0.1uF K B	C0452	043-0577-90	6.3V 1.0uF	C0712	045-1011-50	100pFJ CH
C0370	046-1042-78	0.1uF K B	C0453	043-0577-90	6.3V 1.0uF	C0713	046-1042-78	0.1uF K B
C0371	046-1042-78	0.1uF K B	C0454	043-0577-90	6.3V 1.0uF	C0714	046-1042-78	0.1uF K B
C0373	046-1042-78	0.1uF K B	C0456	046-1022-58	50V 1000pF	C0715	046-1042-78	0.1uF K B
C0374	046-1032-78	0.01uF K B	C0457	043-0577-90	6.3V 1.0uF	C0716	046-1032-78	0.01uF K B
C0376	043-0577-90	6.3V 1.0uF	C0458	043-0577-90	6.3V 1.0uF	C0717	046-1032-78	0.01uF K B
C0377	043-0577-90	6.3V 1.0uF	C0459	043-0577-90	6.3V 1.0uF	C0718	178-1062-88	10uF
C0378	043-0577-90	6.3V 1.0uF	C0460	046-1022-58	50V 1000pF	C0719	046-1032-78	0.01uF K B
C0379	043-0577-90	6.3V 1.0uF	C0461	046-1022-58	50V 1000pF	C0720	178-1062-88	10uF
C0380	046-1042-78	0.1uF K B	C0465	046-1042-78	0.1uF K B	C0721	178-1062-88	10uF
C0381	178-1062-88	10uF	C0466	046-1042-78	0.1uF K B	C0722	046-1032-78	0.01uF K B
C0385	046-1042-78	0.1uF K B	C0473	046-1042-78	0.1uF K B	C0723	046-1032-78	0.01uF K B
C0386	178-1062-88	10uF	C0474	046-1022-58	50V 1000pF	C0724	046-3332-78	0.033uF K B
C0387	046-1032-78	0.01uF K B	C0475	043-0577-90	6.3V 1.0uF	C0725	046-1042-78	0.1uF K B
C0388	046-1032-78	0.01uF K B	C0476	046-1032-78	0.01uF K B	C0726	046-1042-78	0.1uF K B
C0389	046-1032-78	0.01uF K B	C0477	046-1042-78	0.1uF K B	C0727	046-1032-78	0.01uF K B
C0390	178-1062-88	10uF	C0478	046-1022-58	50V 1000pF	C0728	046-3332-78	0.033uF K B
C0391	046-1042-78	0.1uF K B	C0479	046-1022-58	50V 1000pF	C0729	046-1042-78	0.1uF K B

REF NO.	PART NO.	DESCRIPTION	REF NO.	PART NO.	DESCRIPTION	REF NO.	PART NO.	DESCRIPTION
C0730	046-1042-78	0.1uF K B	C1027	043-7503-90	4.7uF	C1329	043-4306-90	1uF
C0731	046-3332-78	0.033uF K B	C1028	046-1042-78	0.1uF K B	C1331	168-3322-55	3300pF K
C0732	046-1042-78	0.1uF K B	C1029	168-2242-58	0.22uF K	C1332	AAZ0293	25V 10uF 10%
C0733	046-3332-78	0.033uF K B	C1030	043-0563-90	16V 47uF	C1333	168-1042-38	50V 0.1uF K
C0734	046-1042-78	0.1uF K B	C1031	AAZ0261	25V 1uF	C1339	043-0570-90	16V 2.2uF K
C0735	046-1042-78	0.1uF K B	C1032	046-1522-58	1500pF K B	C1340	043-0570-90	16V 2.2uF K
C0736	046-1042-78	0.1uF K B	C1033	046-1045-59	0.1uF Z F	C1341	043-0570-90	16V 2.2uF K
C0737	046-1032-78	0.01uF K B	C1034	046-1042-78	0.1uF K B	C1342	043-0570-90	16V 2.2uF K
C0738	046-1032-78	0.01uF K B	C1101	AAZ0253	50V 0.047uF	C1343	045-2201-50	22pFJ CH
C0739	046-3332-78	0.033uF K B	C1102	043-5703-91	50V 3300pF 10%	C1344	045-2201-50	22pFJ CH
C0740	046-3332-78	0.033uF K B	C1103	043-5703-91	50V 3300pF 10%	C1345	045-2201-50	22pFJ CH
C0741	046-1042-78	0.1uF K B	C1104	043-5703-91	50V 3300pF 10%	C1346	045-2201-50	22pFJ CH
C0742	046-3332-78	0.033uF K B	C1105	168-2212-55	220pF K	C1347	046-1042-78	0.1uF K B
C0743	046-1032-78	0.01uF K B	C1106	043-6706-90	50V 3300pF	C1348	043-4306-90	1uF
C0744	046-1032-78	0.01uF K B	C1108	043-5703-91	50V 3300pF 10%	C1349	046-1042-78	0.1uF K B
C0745	046-1042-78	0.1uF K B	C1109	168-3322-55	3300pF K	C1350	178-1062-88	10uF
C0746	046-1032-78	0.01uF K B	C1110	168-3322-55	3300pF K	C1351	AAZ0258	25V 0.22uF
C0747	046-1022-58	50V 1000pF	C1111	168-3322-55	3300pF K	C1352	043-0574-90	25V 1.0uF
C0748	045-1201-50	12pFJ CH	C1112	043-5703-91	50V 3300pF 10%	C1406	046-1022-58	50V 1000pF
C0749	045-1007-50	10 +/-0.5pF CH	C1113	043-5703-91	50V 3300pF 10%	C1408	043-7701-90	2.2uF
C0800	046-1042-78	0.1uF K B	C1114	043-5703-91	50V 3300pF 10%	C1411	043-0554-90	25V 10uF
C0801	045-8097-50	8pF +/-0.5pF CH	C1115	043-5703-91	50V 3300pF 10%	C1413	043-0554-90	25V 10uF
C0802	045-8097-50	8pF +/-0.5pF CH	C1116	043-5703-91	50V 3300pF 10%	C1414	043-7400-90	16V 22uF
C0803	043-0605-90	10V 2.2uF	C1117	046-1042-78	0.1uF K B	C1415	AAZ0264	16V 1uF
C0804	046-1042-78	0.1uF K B	C1118	046-1042-78	0.1uF K B	C1416	046-1042-78	0.1uF K B
C0805	046-1042-78	0.1uF K B	C1119	046-1042-78	0.1uF K B	C1417	046-1022-58	50V 1000pF
C0806	046-1042-78	0.1uF K B	C1120	046-1042-78	0.1uF K B	C1418	046-1022-58	50V 1000pF
C0807	043-6400-90	16V 4.7uF K	C1121	168-4722-55	4700pF K	C1419	043-0559-90	6.3V 22uF
C0808	046-1022-58	50V 1000pF	C1122	168-4722-55	4700pF K	C1420	043-0559-90	6.3V 22uF
C0809	046-1022-58	50V 1000pF	C1123	046-1042-78	0.1uF K B	C1421	046-4732-78	0.047uF K B
C0810	046-1022-58	50V 1000pF	C1124	046-1042-78	0.1uF K B	C1423	043-0559-90	6.3V 22uF
C0811	046-1042-78	0.1uF K B	C1125	168-1022-55	1000pF K	C1426	046-1022-58	50V 1000pF
C0812	046-1042-78	0.1uF K B	C1127	AAZ0254	50V 0.1uF	C1427	043-0603-90	16V 10uF
C0900	046-1042-78	0.1uF K B	C1128	046-1042-78	0.1uF K B	C1428	043-0603-90	16V 10uF
C0901	046-1045-59	0.1uF Z F	C1129	046-1042-78	0.1uF K B	C1432	043-7503-90	4.7uF
C0902	046-1045-59	0.1uF Z F	C1130	046-1042-78	0.1uF K B	C1433	043-0603-90	16V 10uF
C0903	043-6400-90	16V 4.7uF K	C1201	046-1042-78	0.1uF K B	C1435	046-1042-78	0.1uF K B
C0904	168-4742-78	0.47uF K	C1202	046-1045-59	0.1uF Z F	C1436	046-1042-78	0.1uF K B
C0905	046-1042-78	0.1uF K B	C1203	046-1042-78	0.1uF K B	C1437	046-1042-78	0.1uF K B
C0906	043-7400-90	16V 22uF	C1204	043-0559-90	6.3V 22uF	C1438	046-1042-78	0.1uF K B
C0908	043-7400-90	16V 22uF	C1207	046-1042-78	0.1uF K B	C1439	046-1042-78	0.1uF K B
C0910	045-1011-50	100pFJ CH	C1208	046-1042-78	0.1uF K B	C1440	046-1042-78	0.1uF K B
C0911	168-1052-78	16V 1uF K	C1209	043-5600-90	0.10uF	C1441	046-1042-78	0.1uF K B
C0912	046-1042-78	0.1uF K B	C1211	043-0603-90	16V 10uF	C1603	046-1045-59	0.1uF Z F
C0913	046-1042-78	0.1uF K B	C1212	043-0559-90	6.3V 22uF	C1604	046-1042-78	0.1uF K B
C0914	178-1062-88	10uF	C1213	043-7400-90	16V 22uF	C1605	043-0563-90	16V 47uF
C0915	045-1011-50	100pFJ CH	C1216	043-0554-90	25V 10uF	C1606	046-1522-58	1500pF K B
C0916	046-1042-78	0.1uF K B	C1217	043-0554-90	25V 10uF	C1607	046-1045-59	0.1uF Z F
C0917	043-0559-90	6.3V 22uF	C1218	043-0554-90	25V 10uF	C1611	AAZ0254	50V 0.1uF
C0918	046-1042-78	0.1uF K B	C1219	043-0554-90	25V 10uF	C1613	AAZ0293	25V 10uF 10%
C0919	046-1042-78	0.1uF K B	C1220	046-1042-78	0.1uF K B	C1618	166-3096-50	3pF +/-0.25pF CK
C0920	046-1042-78	0.1uF K B	C1222	046-1045-59	0.1uF Z F	C1619	166-3096-50	3pF +/-0.25pF CK
C0921	046-1042-78	0.1uF K B	C1300	043-5703-91	50V 3300pF 10%	C1620	043-7503-90	4.7uF
C0922	168-1052-78	16V 1uF K	C1301	AAZ0322	250V 470pF 10%	C1621	168-2242-58	0.22uF K
C0923	046-1042-78	0.1uF K B	C1302	AAZ0254	50V 0.1uF	C1622	AAZ0261	25V 1uF
C0924	046-1032-78	0.01uF K B	C1303	042-0630-50	16V 100uF	C1624	046-1042-78	0.1uF K B
C0925	046-1032-78	0.01uF K B	C1304	043-0570-90	16V 2.2uF K	C1699	046-1042-78	0.1uF K B
C0926	046-1032-78	0.01uF K B	C1305	043-0570-90	16V 2.2uF K	C1700	046-1042-78	0.1uF K B
C0927	045-3301-50	33pFJ CH	C1306	043-0554-90	25V 10uF	CN1100	EAZ0921	OUTLET SOCKET(40P)
C1000	046-1042-78	0.1uF K B	C1307	AAZ0254	50V 0.1uF	D1001	001-0517-90	1SS355
C1003	168-1022-55	1000pF K	C1308	045-2201-50	22pFJ CH	D1100	001-0517-90	1SS355
C1004	168-4712-55	470pF K	C1309	043-0554-90	25V 10uF	D1101	001-2412-90	RR264M-400
C1005	043-7400-90	16V 22uF	C1310	AAZ0254	50V 0.1uF	D1103	001-0517-90	1SS355
C1006	046-1042-78	0.1uF K B	C1311	045-2201-50	22pFJ CH	D1105	001-0517-90	1SS355
C1007	168-1052-78	16V 1uF K	C1313	043-0554-90	25V 10uF	D1106	001-0517-90	1SS355
C1008	AAZ0254	50V 0.1uF	C1314	046-2232-78	0.022uF K B	D1107	001-0517-90	1SS355
C1013	166-3096-50	3pF +/-0.25pF CK	C1315	046-1045-59	0.1uF Z F	D1600	001-2630-90	1SS420-TPL3,F
C1014	166-3096-50	3pF +/-0.25pF CK	C1316	046-2232-78	0.022uF K B	D1601	001-2630-90	1SS420-TPL3,F
C1015	043-0570-90	16V 2.2uF K	C1317	046-5612-58	560pF K B	IC0101	-----	R8A77781DA 21BG (BGA) (043500-052)
C1016	043-0570-90	16V 2.2uF K	C1318	046-2232-78	0.022uF K B	IC0103	051-5460-90	R3132Q30EA8- TR-F
C1020	045-2201-50	22pFJ CH	C1319	046-1022-58	50V 1000pF	IC0105	CKZ1512	R3132Q46EA3
C1021	168-1042-38	50V 0.1uF K	C1320	046-5622-58	5600pF K B			
C1022	AAZ0293	25V 10uF 10%	C1321	043-0603-90	16V 10uF			
C1023	045-2201-50	22pFJ CH	C1322	043-0605-90	10V 2.2uF			
C1024	168-4712-55	470pF K	C1323	043-0605-90	10V 2.2uF			
C1026	168-4712-55	470pF K	C1328	046-1042-78	0.1uF K B			

REF NO.	PART NO.	DESCRIPTION	REF NO.	PART NO.	DESCRIPTION	REF NO.	PART NO.	DESCRIPTION
IC0300	051-7222-60	MC74VHC1G08DFT2G			(Voltage regulator)	L1211	BEZ0122	DLP11SN900HL2L
IC0400	-----	MT41K256M16HA125I:T:E (BGA) (DDR3-SDRAM) (934210-051)	IC1612	051-3941-90	(Thermal pad) (358290-051) BD2232G-GTR	L1213	010-3104-50	30 ohm/100MHz
IC0401	-----	MT41K256M16HA125I:T:E (BGA) (DDR3-SDRAM) (934210-051)	IC1615	-----	LT8697EUDD# TRPBF (QFN) (FLAT) (364790-051)	L1214	010-3104-50	30 ohm/100MHz
IC0402	-----	PC28F512M29AWHB (BGA) (FLASH ROM) (359410-052)	J0300	074-2255-09	MC74VHC1G32DFT2G	L1215	010-3104-50	30 ohm/100MHz
IC0500	051-6842-00	LC4256ZE-7TN100	J0301	074-2255-09	FH33-9S-0.5SH 9P	L1217	010-3104-50	30 ohm/100MHz
IC0600	051-6934-90	MF1341S2313	J0302	074-2255-40	FH33-9S-0.5SH 9P	L1301	010-3127-91	220 ohm/100MHz
IC0602	051-6226-60	CY25404ZXI-223T	J0602	074-8018-50	FH33-40S-0.5SH 40P	L1302	BMZ0222	BLM15AG121 SN1D
IC0603	051-3941-90	BD2232G-GTR	J0800	076-6017-09	18P	L1400	010-3104-50	30 ohm/100MHz
IC0604	051-7221-48	TC7SZ04FU	J1001	074-9049-00	9P	L1404	010-3539-51	1.2uH
IC0605	051-7222-60	MC74VHC1G08DFT2G	J1001	074-4091-90	OUTLET SOCKET	L1405	010-3414-92	2.2uH
IC0606	051-7202-90	MC74VHC1G32DFT2G	J1001	074-4091-90	6661S-05Y901 (USB)	L1406	010-2285-82	390 ohm/100MHz
IC0700	051-6481-00	BU17101AKV-ME2	J0602	074-8018-50	6661S-05Y901 (USB)	L1615	BEZ0122	DLP11SN900HL2L
IC0701	051-6479-00	AK8858VQ	J0800	076-6017-09	BLM15AG121 SN1D	L1617	010-3537-50	3.9uH
IC0800	051-7202-90	MC74VHC1G32DFT2G	J1001	074-9049-00	BLM15AG121 SN1D	NF1300	060-3113-94	NFM2012R13 C471R
IC0801	-----	UPD70F3365GJ (A)-G(LQFP) (FLASH) (033620-052)	L0200	BMZ0222	BLM15AG121 SN1D	P1001	076-3011-56	6P
IC0901	051-6923-58	ADC121S021CIMFX	L0201	010-3124-96	BLM18PG121 SN1D	P1200	076-6021-60	10P
IC0902	051-7202-90	MC74VHC1G32DFT2G	L0202	010-3124-96	BLM18PG121 SN1D	Q1000	125-2046-91	DTC114EUBTL
IC0903	051-7561-90	74HCT4051PW	L0203	010-3124-96	BLM18PG121 SN1D	Q1001	125-9028-90	UMX1N-TN
IC0904	060-8143-90	GYRO SENSOR (MEV-50D-R)	L0204	010-3124-96	BLM18PG121 SN1D	Q1002	125-0035-98	DTA114YUBTL
IC0908	051-3941-90	BD2232G-GTR	L0300	BMZ0211	BLM18PG121 SN1D	Q1100	125-9028-90	UMX1N-TN
IC0909	060-8156-90	GPS RECEIVER	L0302	BMZ0211	BLM18PG121 SN1D	Q1101	125-9028-90	UMX1N-TN
IC1000	051-7202-90	MC74VHC1G32DFT2G	L0303	BMZ0211	BLM18PG121 SN1D	Q1102	125-9028-90	UMX1N-TN
IC1002	051-3034-90	NJM4558V	L0500	010-3127-91	BLM15AG121 SN1D	Q1103	125-9028-90	UMX1N-TN
IC1004	051-6938-90	BD2065AFJ	L0501	010-3127-91	BLM15AG121 SN1D	Q1104	125-9028-90	UMX1N-TN
IC1005	-----	LT8697EUDD# TRPBF (QFN) (FLAT) (364790-051)	L0600	BMZ0211	BLM18PG121 SN1D	Q1106	125-2027-91	DTC114EUA
IC1100	051-6647-70	TJA1051T/3,118	L0603	BMZ0222	BLM18PG121 SN1D	Q1107	125-2027-91	DTC114EUA
IC1101	051-6647-70	TJA1051T/3,118	L0604	BMZ0222	BLM15AG121 SN1D	Q1108	125-9028-90	UMX1N-TN
IC1102	051-6647-70	TJA1051T/3,118	L0605	BMZ0222	BLM15AG121 SN1D	Q1109	125-9028-90	UMX1N-TN
IC1200	051-7202-90	MC74VHC1G32DFT2G	L0700	BMZ0211	BLM18PG121 SN1D	Q1110	125-9028-90	UMX1N-TN
IC1300	051-3034-90	NJM4558V	L0701	010-3417-90	BLM18PG121 SN1D	Q1112	125-9028-90	UMX1N-TN
IC1301	051-3053-90	NJM2058V	L0702	BMZ0211	BLM18PG121 SN1D	Q1201	CBZ0071	RT1P144M-T111-1
IC1302	051-6764-90	CS5343-DZZR	L0703	BMZ0211	BLM18PG121 SN1D	Q1202	125-2041-91	RT1N431M-T111
IC1303	051-3034-90	NJM4558V	L0800	010-3127-91	BLM15AG121 SN1D	Q1203	125-0035-92	DTA124EUBTL
IC1304	051-3553-90	NJM2865F3-05	L0900	010-3104-50	BLM15AG601 SN1D	R0100	033-0000-05	1/16W 0 ohm
IC1401	-----	BD00D0AWHFP-TR (Voltage regulator) (Thermal pad) (370990-051)	L0901	BMZ0221	MLK1005S22NJT	R0105	032-0150-50	1/16W 10k ohm F
IC1402	-----	SC183CULTRT (PAD) (358800-051)	L0903	010-3101-66	220 ohm/100MHz	R0106	032-0150-50	1/16W 10k ohm F
IC1403	-----	SC187ULTRT (Thermal pad) (363690-051)	L0904	010-3127-91	220 ohm/100MHz	R0107	032-0150-50	1/16W 10k ohm F
IC1404	051-3770-90	BD00HA3EEFJ-ME2	L0905	010-3113-90	1k ohm/100MHz	R0108	032-0150-50	1/16W 10k ohm F
IC1406	-----	BD00C0AWFP	L0906	010-3113-90	1k ohm/100MHz	R0109	032-0150-50	1/16W 10k ohm F
			L1001	BEZ0122	DLP11SN900HL2L	R0110	032-0150-50	1/16W 10k ohm F
			L1002	010-3537-50	3.9uH	R0111	032-0150-50	1/16W 10k ohm F
			L1100	BMZ0211	BLM18PG121 SN1D	R0113	032-0150-65	1/16W 5.6k ohm F
			L1200	010-3104-50	30 ohm/100MHz	R0115	032-0150-50	1/16W 10k ohm F
			L1201	010-3104-50	30 ohm/100MHz	R0117	032-0221-66	1/16W 270 ohm F
			L1202	010-3104-50	30 ohm/100MHz	R0118	032-0150-50	1/16W 10k ohm F
			L1203	010-3104-50	30 ohm/100MHz	R0119	032-0150-50	1/16W 10k ohm F
			L1204	010-3104-50	30 ohm/100MHz	R0121	032-0150-50	1/16W 10k ohm F
			L1205	010-3104-50	30 ohm/100MHz	R0122	033-3321-15	1/16W 3.3k ohm J
			L1208	010-3104-50	30 ohm/100MHz	R0123	033-3321-15	1/16W 3.3k ohm J
			L1209	010-3104-50	30 ohm/100MHz	R0124	032-0221-51	1/16W 4.7k ohm F
						R0125	032-0221-51	1/16W 4.7k ohm F
						R0126	032-0150-50	1/16W 10k ohm F
						R0127	032-0150-50	1/16W 10k ohm F
						R0128	032-0150-50	1/16W 10k ohm F
						R0129	032-0150-50	1/16W 10k ohm F
						R0130	033-4731-15	1/16W 47k ohm J
						R0131	033-4731-15	1/16W 47k ohm J
						R0132	032-0221-02	1/16W 33 ohm 1%
						R0133	032-0221-02	1/16W 33 ohm 1%
						R0134	032-0221-02	1/16W 33 ohm 1%
						R0135	032-0221-02	1/16W 33 ohm 1%
						R0136	032-0221-02	1/16W 33 ohm 1%
						R0138	032-0221-02	1/16W 33 ohm 1%
						R0139	032-0221-02	1/16W 33 ohm 1%
						R0140	032-0221-02	1/16W 33 ohm 1%
						R0141	032-0221-02	1/16W 33 ohm 1%
						R0142	032-0221-02	1/16W 33 ohm 1%
						R0143	032-0221-02	1/16W 33 ohm 1%
						R0148	032-0221-02	1/16W 33 ohm 1%
						R0149	032-0221-02	1/16W 33 ohm 1%
						R0150	032-0221-02	1/16W 33 ohm 1%
						R0151	032-0221-02	1/16W 33 ohm 1%
						R0152	032-0221-02	1/16W 33 ohm 1%
						R0153	032-0221-02	1/16W 33 ohm 1%

REF NO.	PART NO.	DESCRIPTION	REF NO.	PART NO.	DESCRIPTION	REF NO.	PART NO.	DESCRIPTION
R0154	032-0221-02	1/16W 33 ohm 1%	R0316	033-0000-05	1/16W 0 ohm	R0572	033-6801-15	1/16W 68 ohm J
R0155	032-0221-02	1/16W 33 ohm 1%	R0317	033-0000-05	1/16W 0 ohm	R0573	033-6801-15	1/16W 68 ohm J
R0156	032-0150-50	1/16W 10k ohm F	R0318	033-0000-05	1/16W 0 ohm	R0574	033-6801-15	1/16W 68 ohm J
R0160	033-1001-15	1/16W 10 ohm J	R0319	032-0150-50	1/16W 10k ohm F	R0575	032-0221-02	1/16W 33 ohm 1%
R0161	032-0221-98	1/16W 120 ohm 1%	R0320	032-0150-50	1/16W 10k ohm F	R0576	032-0221-02	1/16W 33 ohm 1%
R0162	032-0150-50	1/16W 10k ohm F	R0400	032-0221-99	1/16W 100 ohm 1%	R0578	032-0221-02	1/16W 33 ohm 1%
R0163	032-0221-99	1/16W 100 ohm 1%	R0401	032-0221-99	1/16W 100 ohm 1%	R0579	033-0000-05	1/16W 0 ohm
R0164	032-0221-99	1/16W 100 ohm 1%	R0402	032-0221-98	1/16W 120 ohm 1%	R0581	032-0221-02	1/16W 33 ohm 1%
R0165	032-0221-99	1/16W 100 ohm 1%	R0403	032-0221-90	1/16W 240 ohm 1%	R0582	033-0000-05	1/16W 0 ohm
R0166	032-0221-99	1/16W 100 ohm 1%	R0404	032-0221-99	1/16W 100 ohm 1%	R0584	032-0221-02	1/16W 33 ohm 1%
R0167	033-0000-05	1/16W 0 ohm	R0405	032-0221-99	1/16W 100 ohm 1%	R0587	032-0221-02	1/16W 33 ohm 1%
R0169	033-0000-05	1/16W 0 ohm	R0406	032-0221-99	1/16W 100 ohm 1%	R0600	032-0150-50	1/16W 10k ohm F
R0172	032-0150-50	1/16W 10k ohm F	R0407	032-0221-99	1/16W 100 ohm 1%	R0601	032-0150-50	1/16W 10k ohm F
R0173	032-0150-50	1/16W 10k ohm F	R0408	032-0221-98	1/16W 120 ohm 1%	R0602	033-0000-05	1/16W 0 ohm
R0177	033-0000-05	1/16W 0 ohm	R0409	032-0221-90	1/16W 240 ohm 1%	R0603	032-0221-02	1/16W 33 ohm 1%
R0178	033-0000-05	1/16W 0 ohm	R0410	032-0221-99	1/16W 100 ohm 1%	R0604	032-0221-02	1/16W 33 ohm 1%
R0180	032-0150-50	1/16W 10k ohm F	R0411	032-0221-99	1/16W 100 ohm 1%	R0605	032-0221-02	1/16W 33 ohm 1%
R0181	032-0150-50	1/16W 10k ohm F	R0412	032-0150-50	1/16W 10k ohm F	R0606	032-0221-02	1/16W 33 ohm 1%
R0182	033-2201-15	1/16W 22 ohm J	R0413	032-0150-50	1/16W 10k ohm F	R0607	032-0221-99	1/16W 100 ohm 1%
R0183	032-0221-03	1/16W 22 ohm 1%	R0414	119-0000-05	1/10W 0 ohm JW	R0609	032-0221-02	1/16W 33 ohm 1%
R0184	032-0221-03	1/16W 22 ohm 1%	R0503	032-0221-51	1/16W 4.7k ohm F	R0613	032-0221-02	1/16W 33 ohm 1%
R0185	033-2201-15	1/16W 22 ohm J	R0506	033-1031-15	1/16W 10k ohm J	R0615	032-0221-02	1/16W 33 ohm 1%
R0200	032-0150-50	1/16W 10k ohm F	R0507	033-1031-15	1/16W 10k ohm J	R0617	033-4731-15	1/16W 47k ohm J
R0201	032-0150-50	1/16W 10k ohm F	R0508	033-1031-15	1/16W 10k ohm J	R0618	033-6801-15	1/16W 68 ohm J
R0206	032-0221-29	1/16W 5.1k ohm 1%	R0509	033-1031-15	1/16W 10k ohm J	R0624	032-0221-01	1/16W 47 ohm F
R0207	032-0221-02	1/16W 33 ohm 1%	R0511	033-1031-15	1/16W 10k ohm J	R0650	032-0221-99	1/16W 100 ohm 1%
R0208	032-0221-02	1/16W 33 ohm 1%	R0513	033-1031-15	1/16W 10k ohm J	R0651	032-0221-99	1/16W 100 ohm 1%
R0209	033-6801-15	1/16W 68 ohm J	R0514	033-6801-15	1/16W 68 ohm J	R0655	033-0000-05	1/16W 0 ohm
R0210	032-0221-02	1/16W 33 ohm 1%	R0515	033-6801-15	1/16W 68 ohm J	R0656	033-0000-05	1/16W 0 ohm
R0211	032-0221-02	1/16W 33 ohm 1%	R0516	032-0221-02	1/16W 33 ohm 1%	R0657	033-0000-05	1/16W 0 ohm
R0212	032-0221-02	1/16W 33 ohm 1%	R0517	032-0221-02	1/16W 33 ohm 1%	R0658	033-0000-05	1/16W 0 ohm
R0213	032-0221-97	1/16W 330 ohm 1%	R0518	033-6801-15	1/16W 68 ohm J	R0659	033-0000-05	1/16W 0 ohm
R0214	032-0221-02	1/16W 33 ohm 1%	R0519	032-0221-02	1/16W 33 ohm 1%	R0660	033-0000-05	1/16W 0 ohm
R0216	032-0221-02	1/16W 33 ohm 1%	R0520	033-6801-15	1/16W 68 ohm J	R0661	033-0000-05	1/16W 0 ohm
R0217	032-0150-50	1/16W 10k ohm F	R0521	033-6801-15	1/16W 68 ohm J	R0662	032-0221-02	1/16W 33 ohm 1%
R0220	032-0150-50	1/16W 10k ohm F	R0522	033-1031-15	1/16W 10k ohm J	R0664	032-0221-99	1/16W 100 ohm 1%
R0222	032-0221-06	1/16W 100k ohm F	R0523	033-1031-15	1/16W 10k ohm J	R0665	033-0000-05	1/16W 0 ohm
R0224	032-0150-50	1/16W 10k ohm F	R0524	033-6801-15	1/16W 68 ohm J	R0666	032-0221-02	1/16W 33 ohm 1%
R0225	032-0150-50	1/16W 10k ohm F	R0526	033-1031-15	1/16W 10k ohm J	R0667	033-0000-05	1/16W 0 ohm
R0226	032-0150-50	1/16W 10k ohm F	R0527	033-1031-15	1/16W 10k ohm J	R0668	032-0150-50	1/16W 10k ohm F
R0227	032-0221-02	1/16W 33 ohm 1%	R0528	033-1031-15	1/16W 10k ohm J	R0670	033-1021-15	1/16W 1k ohm J
R0228	032-0221-02	1/16W 33 ohm 1%	R0529	033-1031-15	1/16W 10k ohm J	R0701	033-0000-05	1/16W 0 ohm
R0229	032-0221-02	1/16W 33 ohm 1%	R0530	033-0000-05	1/16W 0 ohm	R0703	033-0000-05	1/16W 0 ohm
R0230	032-0221-02	1/16W 33 ohm 1%	R0531	032-0221-02	1/16W 33 ohm 1%	R0707	033-0000-05	1/16W 0 ohm
R0231	032-0221-02	1/16W 33 ohm 1%	R0532	033-6801-15	1/16W 68 ohm J	R0711	032-0221-59	1/16W 220 ohm F
R0232	032-0221-02	1/16W 33 ohm 1%	R0533	033-1031-15	1/16W 10k ohm J	R0712	032-0221-59	1/16W 220 ohm F
R0233	032-0150-50	1/16W 10k ohm F	R0534	033-6801-15	1/16W 68 ohm J	R0714	032-0221-59	1/16W 220 ohm F
R0234	032-0150-50	1/16W 10k ohm F	R0535	033-1031-15	1/16W 10k ohm J	R0716	032-0221-59	1/16W 220 ohm F
R0235	032-0150-50	1/16W 10k ohm F	R0536	033-1031-15	1/16W 10k ohm J	R0718	032-0221-61	1/16W 6.8k ohm F
R0236	032-0221-02	1/16W 33 ohm 1%	R0537	033-6801-15	1/16W 68 ohm J	R0719	032-0221-02	1/16W 33 ohm 1%
R0237	032-0221-02	1/16W 33 ohm 1%	R0539	033-6801-15	1/16W 68 ohm J	R0722	032-0221-59	1/16W 220 ohm F
R0238	033-4791-15	1/16W 4.7 ohm	R0540	033-1031-15	1/16W 10k ohm J	R0724	032-0221-59	1/16W 220 ohm F
R0239	033-4791-15	1/16W 4.7 ohm	R0541	033-1031-15	1/16W 10k ohm J	R0726	032-0150-54	1/16W 1k ohm F
R0240	033-4791-15	1/16W 4.7 ohm	R0542	033-1031-15	1/16W 10k ohm J	R0727	033-0000-05	1/16W 0 ohm
R0241	033-4791-15	1/16W 4.7 ohm	R0543	033-6801-15	1/16W 68 ohm J	R0728	033-0000-05	1/16W 0 ohm
R0243	032-0221-02	1/16W 33 ohm 1%	R0544	033-6801-15	1/16W 68 ohm J	R0729	032-0221-02	1/16W 33 ohm 1%
R0244	032-0221-02	1/16W 33 ohm 1%	R0546	033-6801-15	1/16W 68 ohm J	R0730	033-2251-15	1/16W 2.2M ohm J
R0245	032-0221-02	1/16W 33 ohm 1%	R0549	033-6801-15	1/16W 68 ohm J	R0731	AQZ0491	1/10W 47 ohm 1%
R0246	032-0221-51	1/16W 4.7k ohm F	R0552	032-0221-02	1/16W 33 ohm 1%	R0732	032-0106-76	1/10W 30 ohm D
R0247	032-0221-51	1/16W 4.7k ohm F	R0553	033-1031-15	1/16W 10k ohm J	R0733	033-0000-05	1/16W 0 ohm
R0248	032-0150-50	1/16W 10k ohm F	R0554	033-1031-15	1/16W 10k ohm J	R0734	033-0000-05	1/16W 0 ohm
R0249	032-0221-02	1/16W 33 ohm 1%	R0555	033-1031-15	1/16W 10k ohm J	R0735	033-0000-05	1/16W 0 ohm
R0300	032-0150-50	1/16W 10k ohm F	R0556	033-1031-15	1/16W 10k ohm J	R0800	033-1031-15	1/16W 10k ohm J
R0301	032-0150-50	1/16W 10k ohm F	R0557	033-1031-15	1/16W 10k ohm J	R0801	033-1001-15	1/16W 10 ohm J
R0305	032-0150-54	1/16W 1k ohm F	R0559	033-1031-15	1/16W 10k ohm J	R0802	033-1031-15	1/16W 10k ohm J
R0306	032-0150-54	1/16W 1k ohm F	R0560	032-0221-02	1/16W 33 ohm 1%	R0803	033-1031-15	1/16W 10k ohm J
R0307	032-0150-50	1/16W 10k ohm F	R0561	033-1031-15	1/16W 10k ohm J	R0804	033-1031-15	1/16W 10k ohm J
R0308	033-4791-15	1/16W 4.7 ohm	R0562	032-0221-02	1/16W 33 ohm 1%	R0805	033-1031-15	1/16W 10k ohm J
R0309	033-4791-15	1/16W 4.7 ohm	R0563	032-0221-02	1/16W 33 ohm 1%	R0806	033-2211-15	1/16W 220 ohm J
R0310	033-4791-15	1/16W 4.7 ohm	R0564	033-6801-15	1/16W 68 ohm J	R0807	033-1031-15	1/16W 10k ohm J
R0311	033-4791-15	1/16W 4.7 ohm	R0565	033-6801-15	1/16W 68 ohm J	R0809	033-1011-15	1/16W 100 ohm J
R0312	032-0150-50	1/16W 10k ohm F	R0566	032-0221-02	1/16W 33 ohm 1%	R0810	033-1031-15	1/16W 10k ohm J
R0313	032-0221-51	1/16W 4.7k ohm F	R0568	032-0221-02	1/16W 33 ohm 1%	R0811	119-0000-05	1/10W 0 ohm JW
R0314	033-0000-05	1/16W 0 ohm	R0569	033-1031-15	1/16W 10k ohm J	R0813	119-0000-05	1/10W 0 ohm JW
R0315	033-0000-05	1/16W 0 ohm	R0570	033-6801-15	1/16W 68 ohm J	R0814	032-0221-02	1/16W 33 ohm 1%
			R0571	033-6801-15	1/16W 68 ohm J	R0815	032-0150-50	1/16W 10k ohm F

REF NO.	PART NO.	DESCRIPTION	REF NO.	PART NO.	DESCRIPTION	REF NO.	PART NO.	DESCRIPTION
R0816	032-0150-50	1/16W 10k ohm F	R1137	AQZ0701	1/8W 1.2k ohm 5%	R1283	033-1011-15	1/16W 100 ohm J
R0817	032-0150-50	1/16W 10k ohm F	R1138	033-0000-05	1/16W 0 ohm	R1284	033-1011-15	1/16W 100 ohm J
R0818	032-0150-50	1/16W 10k ohm F	R1139	033-0000-05	1/16W 0 ohm	R1285	033-1011-15	1/16W 100 ohm J
R0902	033-0000-05	1/16W 0 ohm	R1140	033-0000-05	1/16W 0 ohm	R1286	032-0221-02	1/16W 33 ohm 1%
R0903	033-2211-15	1/16W 220 ohm J	R1141	033-0000-05	1/16W 0 ohm	R1287	032-0221-02	1/16W 33 ohm 1%
R0904	033-1031-15	1/16W 10k ohm J	R1143	032-0210-35	1/10W 120 ohm F	R1288	033-1011-15	1/16W 100 ohm J
R0905	116-2201-15	1/4W 22 ohm	R1144	032-0210-35	1/10W 120 ohm F	R1290	033-1011-15	1/16W 100 ohm J
R0906	033-0000-05	1/16W 0 ohm	R1145	032-0210-35	1/10W 120 ohm F	R1291	033-0000-05	1/16W 0 ohm
R0907	033-1021-15	1/16W 1k ohm J	R1146	032-0210-35	1/10W 120 ohm F	R1293	033-1011-15	1/16W 100 ohm J
R0908	032-0210-53	1/10W 15k ohm 1%	R1147	032-0210-35	1/10W 120 ohm F	R1294	033-0000-05	1/16W 0 ohm
R0912	033-2211-15	1/16W 220 ohm J	R1148	032-0210-35	1/10W 120 ohm F	R1300	032-0210-54	1/10W 33k ohm 1%
R0914	119-0000-05	1/10W 0 ohm JW	R1149	032-0210-35	1/10W 120 ohm F	R1301	032-0140-54	1/10W 22k ohm F
R0916	033-2211-15	1/16W 220 ohm J	R1150	032-0210-35	1/10W 120 ohm F	R1303	032-0140-99	1/10W 39k ohm F
R0918	032-0221-02	1/16W 33 ohm 1%	R1152	116-0000-05	1/4W 0 ohm JW	R1304	032-0140-99	1/10W 39k ohm F
R0920	033-0000-05	1/16W 0 ohm	R1155	032-0221-59	1/16W 220 ohm F	R1305	032-0221-75	1/16W 47k ohm F
R0921	033-1041-15	1/16W 100k ohm J	R1156	119-0000-05	1/10W 0 ohm JW	R1306	032-0150-50	1/16W 10k ohm F
R0922	032-0221-73	1/16W 2.2k ohm 1%	R1157	032-0221-73	1/16W 2.2k ohm 1%	R1307	032-0150-50	1/16W 10k ohm F
R0923	033-1041-15	1/16W 100k ohm J	R1158	117-1531-15	1/8W 15k ohm	R1308	032-0221-75	1/16W 47k ohm F
R0924	119-0000-05	1/10W 0 ohm JW	R1160	033-0000-05	1/16W 0 ohm	R1309	033-2211-15	1/16W 220 ohm J
R0925	032-0150-50	1/16W 10k ohm F	R1161	032-0221-02	1/16W 33 ohm 1%	R1310	119-0000-05	1/10W 0 ohm JW
R0926	AQZ0522	1/10W 10k ohm 1%	R1162	032-0221-02	1/16W 33 ohm 1%	R1311	033-3331-15	1/16W 33k ohm J
R0928	033-0000-05	1/16W 0 ohm	R1167	033-0000-05	1/16W 0 ohm	R1312	033-8221-15	1/16W 8.2k ohm J
R1000	033-1041-15	1/16W 100k ohm J	R1168	032-0221-02	1/16W 33 ohm 1%	R1313	032-0221-30	1/16W 150k ohm F
R1001	032-0210-68	1/10W 220 ohm F	R1200	033-1011-15	1/16W 100 ohm J	R1314	033-5621-15	1/16W 5.6k ohm J
R1003	032-0210-16	1/10W 1.2k ohm F	R1201	033-1011-15	1/16W 100 ohm J	R1315	032-0221-62	1/16W 8.2k ohm F
R1004	032-0210-56	1/10W 22k ohm F	R1202	033-1011-15	1/16W 100 ohm J	R1316	033-5621-15	1/16W 5.6k ohm J
R1005	032-0210-57	1/10W 4.7k ohm F	R1203	033-1011-15	1/16W 100 ohm J	R1317	033-5621-15	1/16W 5.6k ohm J
R1006	033-0000-05	1/16W 0 ohm	R1204	033-1011-15	1/16W 100 ohm J	R1318	032-0150-50	1/16W 10k ohm F
R1007	032-0150-50	1/16W 10k ohm F	R1205	033-1011-15	1/16W 100 ohm J	R1319	033-1231-15	1/16W 12k ohm J
R1012	032-0131-66	1/8W 100 ohm B	R1206	033-1011-15	1/16W 100 ohm J	R1325	033-2201-15	1/16W 22 ohm J
R1013	032-0210-56	1/10W 22k ohm F	R1208	033-1011-15	1/16W 100 ohm J	R1326	033-2201-15	1/16W 22 ohm J
R1014	032-0210-56	1/10W 22k ohm F	R1209	033-1011-15	1/16W 100 ohm J	R1327	033-2201-15	1/16W 22 ohm J
R1017	032-0221-09	1/16W 33k ohm F	R1210	033-1011-15	1/16W 100 ohm J	R1329	119-0000-05	1/10W 0 ohm JW
R1018	032-0221-09	1/16W 33k ohm F	R1211	033-1011-15	1/16W 100 ohm J	R1333	033-0000-05	1/16W 0 ohm
R1019	032-0150-50	1/16W 10k ohm F	R1212	033-1011-15	1/16W 100 ohm J	R1345	033-0000-05	1/16W 0 ohm
R1022	119-0000-05	1/10W 0 ohm JW	R1213	033-1011-15	1/16W 100 ohm J	R1347	032-0140-07	1/10W 11k ohm F
R1023	032-0140-06	1/10W 100 ohm F	R1214	033-1011-15	1/16W 100 ohm J	R1348	032-0140-07	1/10W 11k ohm F
R1024	032-0140-06	1/10W 100 ohm F	R1215	033-1011-15	1/16W 100 ohm J	R1349	033-0000-05	1/16W 0 ohm
R1025	032-0221-99	1/16W 100 ohm 1%	R1216	033-1011-15	1/16W 100 ohm J	R1350	033-0000-05	1/16W 0 ohm
R1026	032-0221-53	1/16W 18k ohm F	R1217	033-0000-05	1/16W 0 ohm	R1351	032-0148-51	1/10W 47k ohm D
R1027	032-0248-51	3/4W 20m ohm F	R1219	033-0000-05	1/16W 0 ohm	R1352	032-0148-51	1/10W 47k ohm D
R1028	119-1031-15	1/10W 10k ohm	R1221	033-0000-05	1/16W 0 ohm	R1353	032-0148-51	1/10W 47k ohm D
R1029	032-0221-61	1/16W 6.8k ohm F	R1222	033-0000-05	1/16W 0 ohm	R1354	032-0148-51	1/10W 47k ohm D
R1030	032-0221-83	1/16W 3.3k ohm F	R1223	032-0221-02	1/16W 33 ohm 1%	R1355	032-0148-51	1/10W 47k ohm D
R1031	119-0000-05	1/10W 0 ohm JW	R1224	032-0221-02	1/16W 33 ohm 1%	R1356	032-0148-51	1/10W 47k ohm D
R1100	033-4731-15	1/16W 47k ohm J	R1225	032-0221-02	1/16W 33 ohm 1%	R1357	032-0148-51	1/10W 47k ohm D
R1101	032-0221-52	1/16W 1.8k ohm F	R1226	032-0221-02	1/16W 33 ohm 1%	R1358	032-0148-51	1/10W 47k ohm D
R1102	032-0210-57	1/10W 4.7k ohm F	R1227	032-0221-02	1/16W 33 ohm 1%	R1359	033-0000-05	1/16W 0 ohm
R1103	032-0221-52	1/16W 1.8k ohm F	R1228	032-0221-02	1/16W 33 ohm 1%	R1360	033-0000-05	1/16W 0 ohm
R1104	032-0221-52	1/16W 1.8k ohm F	R1229	032-0221-02	1/16W 33 ohm 1%	R1361	032-0150-50	1/16W 10k ohm F
R1106	117-1531-15	1/8W 15k ohm	R1230	032-0221-02	1/16W 33 ohm 1%	R1362	032-0221-10	1/16W 15k ohm F
R1107	032-0210-56	1/10W 22k ohm F	R1231	032-0221-02	1/16W 33 ohm 1%	R1363	032-0150-50	1/16W 10k ohm F
R1108	032-0210-59	1/10W 5.6k ohm F	R1232	032-0221-02	1/16W 33 ohm 1%	R1364	032-0150-50	1/16W 10k ohm F
R1109	117-1531-15	1/8W 15k ohm	R1233	032-0221-02	1/16W 33 ohm 1%	R1365	032-0150-50	1/16W 10k ohm F
R1110	117-1531-15	1/8W 15k ohm	R1239	033-1011-15	1/16W 100 ohm J	R1403	033-1041-15	1/16W 100k ohm J
R1112	AQZ0522	1/10W 10k ohm 1%	R1240	033-1011-15	1/16W 100 ohm J	R1409	032-0210-84	1/10W 150k ohm F
R1113	116-2721-15	1/4W 2.7k ohm	R1241	033-1011-15	1/16W 100 ohm J	R1410	032-0221-62	1/16W 8.2k ohm F
R1114	AQZ0692	1/3W 1.2k ohm J	R1248	033-1011-15	1/16W 100 ohm J	R1413	117-0000-05	1/8W 0 ohm JW
R1115	116-2721-15	1/4W 2.7k ohm	R1250	033-1011-15	1/16W 100 ohm J	R1416	033-0000-05	1/16W 0 ohm
R1116	116-2721-15	1/4W 2.7k ohm	R1251	033-1011-15	1/16W 100 ohm J	R1418	033-1041-15	1/16W 100k ohm J
R1119	AQZ0522	1/10W 10k ohm 1%	R1252	033-1011-15	1/16W 100 ohm J	R1422	033-0000-05	1/16W 0 ohm
R1120	AQZ0701	1/8W 1.2k ohm 5%	R1253	033-0000-05	1/16W 0 ohm	R1423	033-0000-05	1/16W 0 ohm
R1123	032-0210-57	1/10W 4.7k ohm F	R1263	033-1011-15	1/16W 100 ohm J	R1425	033-0000-05	1/16W 0 ohm
R1124	032-0210-57	1/10W 4.7k ohm F	R1264	033-1011-15	1/16W 100 ohm J	R1426	033-0000-05	1/16W 0 ohm
R1125	032-0210-57	1/10W 4.7k ohm F	R1265	033-1011-15	1/16W 100 ohm J	R1430	117-0000-05	1/8W 0 ohm JW
R1126	032-0210-56	1/10W 22k ohm F	R1267	033-1041-15	1/16W 100k ohm J	R1431	033-0000-05	1/16W 0 ohm
R1127	032-0210-56	1/10W 22k ohm F	R1268	033-1011-15	1/16W 100 ohm J	R1432	033-4731-15	1/16W 47k ohm J
R1128	032-0210-56	1/10W 22k ohm F	R1272	033-1011-15	1/16W 100 ohm J	R1433	032-0221-73	1/16W 2.2k ohm 1%
R1129	117-1021-15	1/8W 1k ohm	R1273	033-1011-15	1/16W 100 ohm J	R1434	032-0221-62	1/16W 8.2k ohm F
R1130	117-1021-15	1/8W 1k ohm	R1277	033-1011-15	1/16W 100 ohm J	R1435	032-0221-62	1/16W 8.2k ohm F
R1131	117-1021-15	1/8W 1k ohm	R1278	033-1021-15	1/16W 1k ohm J	R1442	033-1091-15	1/16W 1 ohm
R1132	117-2211-15	1/8W 220 ohm	R1279	033-1011-15	1/16W 100 ohm J	R1443	032-0221-04	1/16W 10 ohm F
R1133	117-2211-15	1/8W 220 ohm	R1280	033-0000-05	1/16W 0 ohm	R1453	033-1041-15	1/16W 100k ohm J
R1135	AQZ0701	1/8W 1.2k ohm 5%	R1281	033-1011-15	1/16W 100 ohm J	R1454	033-4731-15	1/16W 47k ohm J
R1136	AQZ0701	1/8W 1.2k ohm 5%	R1282	033-1011-15	1/16W 100 ohm J	R1455	032-0140-89	1/10W 47k ohm F

REF NO.	PART NO.	DESCRIPTION	REF NO.	PART NO.	DESCRIPTION	REF NO.	PART NO.	DESCRIPTION
R1456	032-0210-81	1/10W 2.7k ohm F	RN0209	050-0156-57	1/16W 10k ohm x4	RN0830	050-0156-57	1/16W 10k ohm x4
R1457	032-0140-15	1/10W 6.8k ohm F	RN0210	050-0156-57	1/16W 10k ohm x4	RN0831	050-0156-57	1/16W 10k ohm x4
R1458	117-0000-05	1/8W 0 ohm JW	RN0211	050-0156-57	1/16W 10k ohm x4	RN0900	050-0140-67	1/32W 220 ohm x4J
R1601	032-0221-99	1/16W 100 ohm 1%	RN0300	050-0156-57	1/16W 10k ohm x4	VR1000	001-9210-50	AVR- M1608C270MTAAD
R1602	119-0000-05	1/10W 0 ohm JW	RN0301	050-0156-57	1/16W 10k ohm x4	VR1001	001-9210-50	AVR- M1608C270MTAAD
R1603	032-0221-53	1/16W 18k ohm F	RN0302	050-0156-57	1/16W 10k ohm x4	VR1100	001-9210-50	AVR- M1608C270MTAAD
R1604	032-0221-83	1/16W 3.3k ohm F	RN0303	050-0156-57	1/16W 10k ohm x4	VR1300	001-9210-50	AVR- M1608C270MTAAD
R1605	032-0221-61	1/16W 6.8k ohm F	RN0304	050-0156-57	1/16W 10k ohm x4	VR1301	001-9210-50	AVR- M1608C270MTAAD
R1606	119-1031-15	1/10W 10k ohm	RN0501	050-0156-59	1/16W 33 ohm x4	VR1302	001-9210-50	AVR- M1608C270MTAAD
R1607	032-0248-51	3/4W 20m ohm F	RN0604	050-0156-52	1/16W 100 ohm x4	VR1303	001-9210-50	AVR- M1608C270MTAAD
R1662	033-0000-05	1/16W 0 ohm	RN0606	050-0156-63	1/16W 47k ohm x4	VR1304	001-9210-50	AVR- M1608C270MTAAD
R1664	033-0000-05	1/16W 0 ohm	RN0700	050-0156-59	1/16W 33 ohm x4	X0600	061-3593-80	NX3225GA 48MHz
R1678	032-0150-59	1/16W 100k ohm F	RN0701	050-0156-59	1/16W 33 ohm x4	X0700	061-3581-90	24.576MHz
R1680	033-1031-15	1/16W 10k ohm J	RN0801	050-0156-57	1/16W 10k ohm x4	X0800	BLZ0048	NX8045GB(4M)
R1690	119-0000-05	1/10W 0 ohm JW	RN0802	050-0156-57	1/16W 10k ohm x4	ZD0901	060-8107-50	SURGE PROTECTOR
R1692	119-0000-05	1/10W 0 ohm JW	RN0803	050-0156-57	1/16W 10k ohm x4	ZD0902	001-4329-50	RSBC6.8CS
R1693	119-0000-05	1/10W 0 ohm JW	RN0805	050-0156-57	1/16W 10k ohm x4	ZD1000	CDZ0031	UDZSFTE-1716B
R1694	033-0000-05	1/16W 0 ohm	RN0806	050-0156-57	1/16W 10k ohm x4	ZD1001	001-4329-50	RSBC6.8CS
R1695	033-0000-05	1/16W 0 ohm	RN0807	050-0156-57	1/16W 10k ohm x4	ZD1002	001-4329-50	RSBC6.8CS
R1696	032-0150-59	1/16W 100k ohm F	RN0808	050-0156-57	1/16W 10k ohm x4	ZD1100	CDZ0031	UDZSFTE-1716B
R819	032-0221-02	1/16W 33 ohm 1%	RN0809	050-0156-57	1/16W 10k ohm x4	ZD1101	CDZ0031	UDZSFTE-1716B
RN0101	050-0156-56	1/16W 4.7k ohm x4	RN0810	050-0156-57	1/16W 10k ohm x4	ZD1104	CDZ0031	UDZSFTE-1716B
RN0102	050-0156-57	1/16W 10k ohm x4	RN0811	050-0156-57	1/16W 10k ohm x4	ZD1105	001-4305-20	UDZSTE-17 5.6B
RN0103	050-0156-59	1/16W 33 ohm x4	RN0812	050-0156-57	1/16W 10k ohm x4	ZD1106	001-4305-20	UDZSTE-17 5.6B
RN0104	050-0156-59	1/16W 33 ohm x4	RN0813	050-0156-57	1/16W 10k ohm x4	ZD1107	001-4305-20	UDZSTE-17 5.6B
RN0105	050-0156-59	1/16W 33 ohm x4	RN0814	050-0156-57	1/16W 10k ohm x4	ZD1200	001-4305-20	UDZSTE-17 5.6B
RN0106	050-0156-59	1/16W 33 ohm x4	RN0815	050-0156-57	1/16W 10k ohm x4	ZD1301	CDZ0062	ZD_HZC 27-E
RN0107	050-0140-51	1/32W 22 ohm x4J	RN0816	050-0156-57	1/16W 10k ohm x4	ZD1608	001-4329-50	RSBC6.8CS
RN0108	050-0140-51	1/32W 22 ohm x4J	RN0817	050-0156-57	1/16W 10k ohm x4	ZD1609	001-4329-50	RSBC6.8CS
RN0109	050-0140-51	1/32W 22 ohm x4J	RN0818	050-0156-57	1/16W 10k ohm x4	PWB	039-4603-00	PWB(WITHOUT COMPONENTS)
RN0110	050-0140-51	1/32W 22 ohm x4J	RN0819	050-0156-57	1/16W 10k ohm x4			
RN0111	050-0140-51	1/32W 22 ohm x4J	RN0820	050-0156-52	1/16W 100 ohm x4			
RN0112	050-0140-51	1/32W 22 ohm x4J	RN0821	050-0156-57	1/16W 10k ohm x4			
RN0200	050-0156-59	1/16W 33 ohm x4	RN0822	050-0156-57	1/16W 10k ohm x4			
RN0202	050-0156-59	1/16W 33 ohm x4	RN0823	050-0156-57	1/16W 10k ohm x4			
RN0203	050-0140-70	1/32W 10 ohm x4J	RN0824	050-0156-57	1/16W 10k ohm x4			
RN0204	050-0140-70	1/32W 10 ohm x4J	RN0825	050-0156-57	1/16W 10k ohm x4			
RN0205	050-0140-70	1/32W 10 ohm x4J	RN0826	050-0156-57	1/16W 10k ohm x4			
RN0206	050-0140-70	1/32W 10 ohm x4J	RN0827	050-0156-57	1/16W 10k ohm x4			
RN0207	050-0156-59	1/16W 33 ohm x4	RN0828	050-0156-57	1/16W 10k ohm x4			
RN0208	050-0156-57	1/16W 10k ohm x4	RN0829	050-0156-57	1/16W 10k ohm x4			