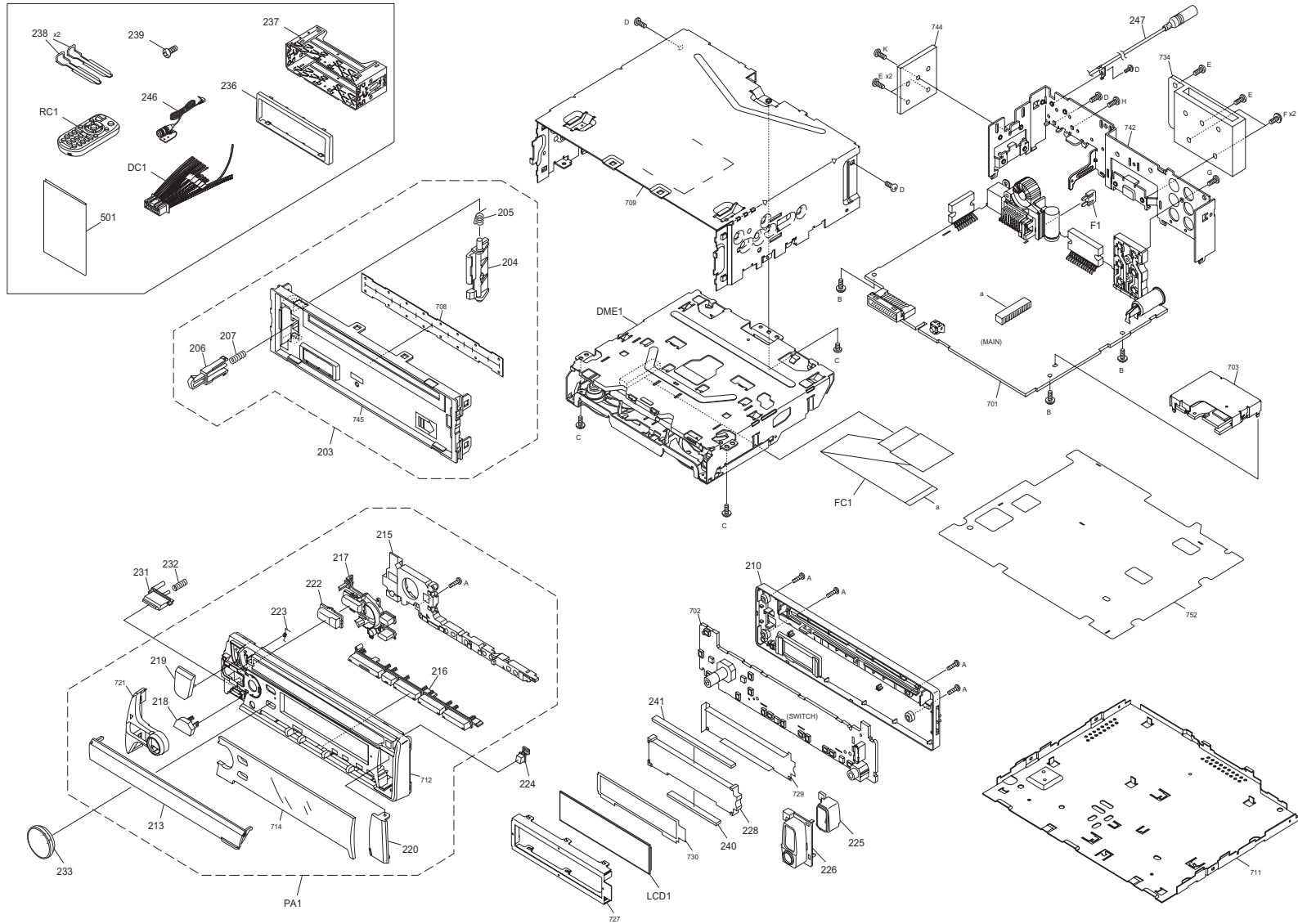


EXPLODED VIEW (UNIT)

Block No.200



Parts with the exploded numbers larger than 700 are not supplied.

created date:2014-03-06

MODEL	MARK	MODEL	MARK	MODEL	MARK
KDC-BT558U	K1	KDC-X598	K0	KMR-D558BT	K2

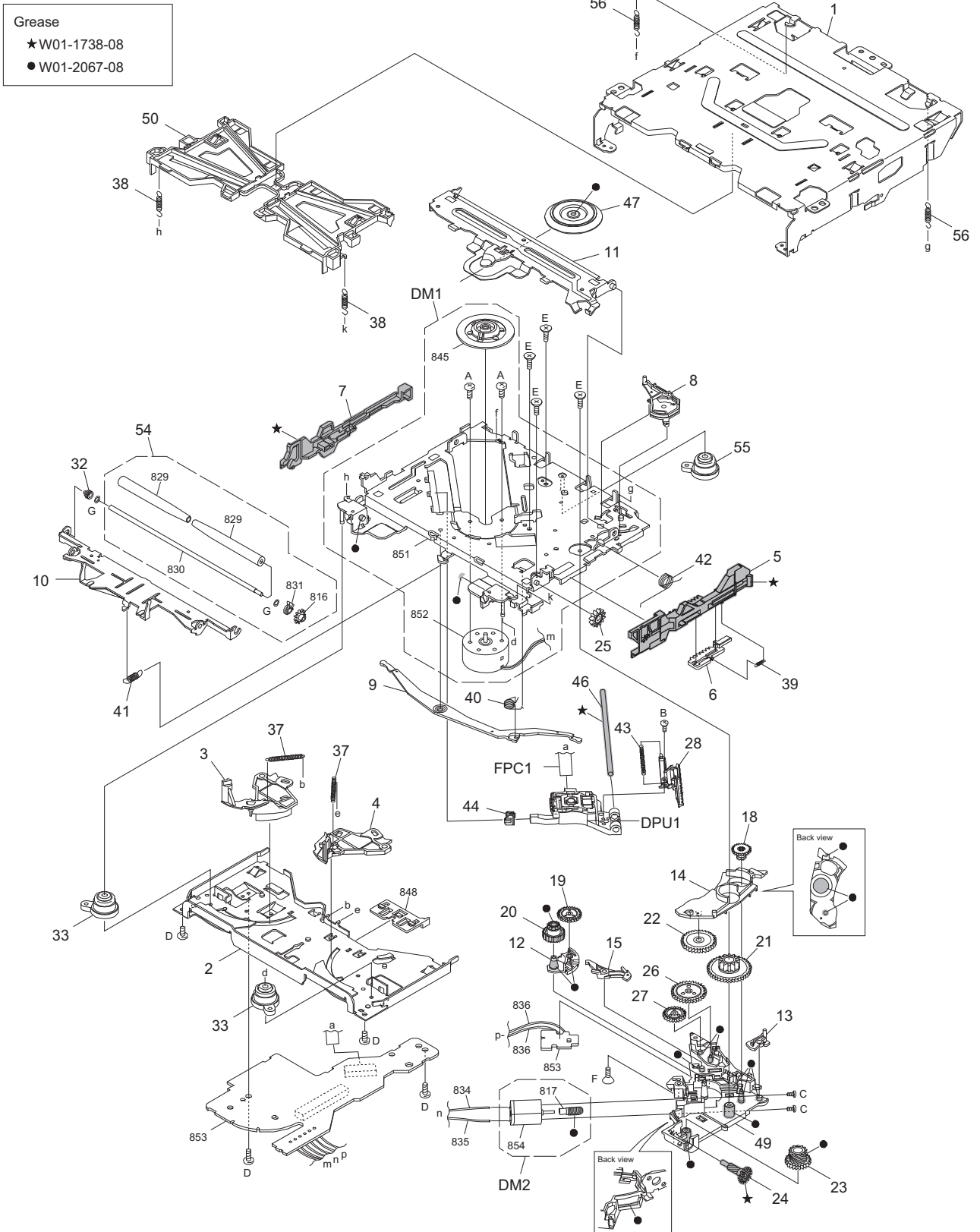
Safe	Symbol No.	Parts No.	Parts Name	Description	QTY	Local
------	------------	-----------	------------	-------------	-----	-------

EXPLODED VIEW (UNIT) <200>

	DC1	QAM1341-001	DC CABLE		1	K1,K0
	DC1	QAM1399-001	DC CABLE		1	K2
	DME1	X92-6830-00	MECHANISM ASSY		1	
△	F1	QMFZ064-100-J1	FUSE	10A	1	
	FC1	WJT0307-001A-E	E-CARD WIRE		1	
	LCD1	QLD0727-001	LCD MODULE		1	
	PA1	GE20354-023A	FRONT PANEL ASSY		1	K1
	PA1	GE20354-022A	FRONT PANEL ASSY		1	K0
	PA1	GE20354-024A	FRONT PANEL ASSY		1	K2
	RC1	QAL1303-004	REMOTE CONTROL UNIT		1	K1,K0
	A	QYSDSF2008ZA	TAP SCREW	M2 x 8mm	5	
	B	GE40377-002A	SCREW		3	
	C	QYSDST2604ZA	TAP SCREW	M2.6 x 4mm	3	
	D	QYSDST2606ZA	TAP SCREW	M2.6 x 6mm	4	
	E	QYSDST2610ZA	TAP SCREW	M2.6 x 10mm	4	
	F	GE40377-005A	SPECIAL SCREW		2	
	G	QYSDSF2608ZA	TAP SCREW	M2.6 x 8mm	1	
	H	QYSDSG3006ZA	TAP SCREW	M3 x 6mm	1	
	K	QYSDST2608ZA	TAP SCREW	M2.6 x 8mm	1	
	203	GE35691-001A	F.CHASSIS ASSY		1	
	204	GE35686-001A	LOCK LEVER		1	
	205	GE40504-001A	SPRING		1	
	206	GE35687-001A	RELEASE LEVER		1	
	207	GE40505-001A	SPRING		1	
	210	GE10387-001A	REAR COVER		1	
	213	GE20355-023A	CD COVER		1	K1
	213	GE20355-022A	CD COVER		1	K0
	213	GE20355-024A	CD COVER		1	K2
	215	GE10388-001A	LIGHT GUIDE		1	
	216	GE20346-001A	PRESET BUTTON		1	
	217	GE20347-001A	VOL LENS		1	
	218	GE35681-001A	SRC BUTTON		1	
	219	GE35682-001A	SEARCH BUTTON		1	
	220	GE35671-001A	USB DOOR		1	
	222	GE35674-005A	ACC BTN TOP		1	
	223	G01-4823-04	TOR.COIL SPRING		1	
	224	GE35669-001A	EJECT BUTTON		1	
	225	GE35672-001A	USB LIGHT LENS		1	
	226	GE35673-001A	USB HOLDER		1	
	228	GE35679-001A	LCD LENS		1	
	231	GE35677-001A	DETACH BUTTON		1	
	232	GE40505-003A	SPRING		1	
	233	GE40678-003A	VOL KNOB ASSY		1	K1
	233	GE40678-002A	VOL KNOB ASSY		1	K0
	233	GE40678-001A	VOL KNOB ASSY		1	K2
	236	GE20352-001A	TRIM PLATE		1	K1
	236	GE20351-001A	TRIM PLATE		1	K0
	236	GE20351-002A	TRIM PLATE		1	K2
	237	GE34826-002A	M.SLEEVE ASSY		1	
	238	GE40578-002A	HOOK		2	
	239	QYSPSF2008ZA	TAP SCREW	M2 x 8mm	1	
	240	QNZ1115-001	RUBBER CONNE		1	
	241	QNZ1116-001	RUBBER CONNE		1	
	246	QAN0126-001	MICROPHONE		1	
	247	QAM1370-001	CAR CABLE		1	
	501	GET0995-001A	INST MANUAL	ENG FRE SPA	1	

EXPLODED VIEW (CD MECHANISM: X92-6830-00)

Block No.130



MODEL	MARK	MODEL	MARK	MODEL	MARK
KDC-BT558U	K1	KDC-X598	K0	KMR-D558BT	K2

Safe	Symbol No.	Parts No.	Parts Name	Description	QTY	Local
------	------------	-----------	------------	-------------	-----	-------

EXPLODED VIEW (CD MECHANISM: X92-6830-00) <130>

	DM1	X94-2230-00	MD CHASSIS ASSY		1	
	DM2	X94-2240-00	LOADING MOTOR ASSY		1	
△	DPU1	QAL1521-001	PICK UP		1	
	FPC1	QAL1465-001	FPC		1	
A		LV45568-001A	MINI SCREW		2	
B		QYSPSGT1745ZA	TAP SCREW	M1.7 x 4.5mm	1	
C		QYSPSPT2025MA	SCREW	M2 x 2.5mm	2	
D		N09-6108-15	MINI SCREW		4	
E		N09-6738-15	G.HOLDER SCREW		4	
F		N09-6921-05	M. SHAFT SCREW		1	
G		N19-2356-04	FLAT WASHER		2	
1		A10-5625-21	OUTER CHASSIS		1	
2		A10-5626-01	LOWER CHASSIS		1	
3		D10-7174-03	DISC ARM L		1	
4		D10-7175-03	DISC ARM R		1	
5		D10-7177-02	SLIDER R		1	
6		D10-7178-03	TRIGGER SLIDER		1	
7		D10-7179-02	SLIDER L		1	
8		D10-7180-03	TRIGGER ARM		1	
9		D10-7181-13	JOINT LEVER		1	
10		D10-7182-12	ROLLER LEVER		1	
11		D10-7183-02	CLAMP ARM		1	
12		D10-7184-03	TRANSFER ARM		1	
13		D10-7185-04	SL LOCK CAM		1	
14		D10-7186-03	SL LOCK ARM		1	
15		D10-7187-13	PICK LOCK ARM		1	
18		D13-3104-04	HELICAL GEAR 1		1	
19		D13-3105-04	TRANSFER GEAR		1	
20		D13-3106-04	LOAD GEAR H		1	
21		D13-3107-04	DRIVE GEAR		1	
22		D13-3108-04	JOINT GEAR		1	
23		D13-3109-04	WORM GEAR 2		1	
24		D13-3110-04	HELICAL GEAR 2		1	
25		D13-3111-04	LOAD GEAR V		1	
26		D13-3112-04	PICK GEAR 1		1	
27		D13-3113-04	PICK GEAR 2		1	
28		D13-3114-03	RACK GEAR		1	
32		D23-0974-14	R.RETAINER L		1	
33		D39-0403-05	DAMPER F		2	
37		G01-4810-04	DISC ARM SPRING		2	
38		G01-4829-04	FLOAT SPRING(F)		2	
39		G01-4813-04	TRIGGER SPRING		1	
40		G01-4814-04	LOAD SPRING		1	
41		G01-4815-04	ROLLER SPRING		1	
42		G01-4816-04	CLAMP SPRING		1	
43		G01-4817-04	PICK SPRING		1	
44		LV36813-501A	SUB GUIDE CAP		1	
46		LV44555-001A	MAIN SHAFT		1	
47		J11-0692-03	CLAMPER		1	
49		J19-7360-21	GEAR HOLDER		1	
50		J90-1209-21	DISC GUIDE		1	
54		X94-2250-00	ROLLER ASSY		1	
55		D39-0404-05	DAMPER R		1	
56		G01-4812-04	FLOAT SPRING(R)		2	

MODEL	MARK	MODEL	MARK	MODEL	MARK
KDC-BT558U	K1	KDC-X598	K0	KMR-D558BT	K2

Safe	Symbol No.	Parts No.	Parts Name	Description	QTY	Local
ELECTRIC UNIT (X34-7850-1x) <X34>						
△	IC1	TEF6657HN-X	IC		1	
	IC60	BD9876AEFJ-X	IC		1	
	IC80	MFI337S3959-X	IC		1	
	IC161	TDA7720B-X	IC		1	
△	IC301	JCV8031	IC		1	
△	IC701	R5S726A0D216FP	IC		1	
	IC710	BR24T02FJ-W-X	IC		1	
	IC720	BU4228F-W	IC		1	
	IC801	TC7SH08FU-X	IC(DIGITAL)		1	
	IC802	TC7SET08FU-J-X	IC(DIGITAL)		1	
△	IC840	W10-0893-08	IC		1	
△	IC901	LV5684NPVD	IC		1	
	IC930	BU33TD3WG-W	IC		1	
	IC931	BU33TD3WG-W	IC		1	
	IC943	BU1CTD3WG-W	IC		1	
	IC981	BD9876AEFJ-X	IC		1	
	IC982	NCP380HSNAJAAX	IC(MOS-IC)		1	
	Q91	2SC1623/5-6/-X	TRANSISTOR		1	
	Q250	LTC043TEB-X	DIGI TRANSISTOR		1	
	Q320	LTC043TEB-X	DIGI TRANSISTOR		1	
	Q321	LTC043TEB-X	DIGI TRANSISTOR		1	
	Q330	LTC043TEB-X	DIGI TRANSISTOR		1	
	Q331	LTC043TEB-X	DIGI TRANSISTOR		1	
	Q780	LTA024EEB-X	DIGI TRANSISTOR		1	
	Q781	LTC024EEB-X	DIGI TRANSISTOR		1	
	Q782	LTA024EEB-X	DIGI TRANSISTOR		1	
	Q912	LTA014YEB-X	DIGI TRANSISTOR		1	
	Q931	LTA043ZUB-X	DIGI TRANSISTOR		1	
	Q932	LTC024EUB-X	DIGI TRANSISTOR		1	
	Q940	LTA023JUB-X	DIGI TRANSISTOR		1	
	Q941	LTC024EEB-X	DIGI TRANSISTOR		1	
	Q970	LSCR523EB-X	TRANSISTOR		1	
	Q971	LSCR523EB-X	TRANSISTOR		1	
	Q972	LSCR523EB-X	TRANSISTOR		1	
	D1	NAF0029-002X	ESD SUPPRESSOR		1	
	D60	MBRX130-TP-X	SB DIODE		1	
	D90	DZ2J056/M/-X	Z DIODE		1	
	D91	DZ2J091/M/-X	Z DIODE		1	K0
	D92	DZ2J062/M/-X	Z DIODE		1	
	D93	DZ2J062/M/-X	Z DIODE		1	
	D100	RSB6.8SM-X	BP Z DIODE		1	
	D101	RSB6.8SM-X	BP Z DIODE		1	
	D501	GS1J-LTP-X	SI DIODE		1	
	D780	BAW56-TP-X	SI DIODE		1	
	D781	BAW56-TP-X	SI DIODE		1	
	D782	DA2J101-X	SI DIODE		1	
	D783	BAW56-TP-X	SI DIODE		1	
	D891	BAW56-TP-X	SI DIODE		1	
△	D901	1N5401-BPC04	SI DIODE		1	
	D902	SK34A-L-X	SB DIODE		1	
	D903	SK34A-L-X	SB DIODE		1	
	D906	MBRX130-TP-X	SB DIODE		1	
	D907	MBR0530-X	SB DIODE		1	
	D908	DZ2J051/M/-X	Z DIODE		1	
	D909	DB2S310-X	SB DIODE		1	
	D930	DZ2J033/M/-X	Z DIODE		1	
	D931	MBRX130-TP-X	SB DIODE		1	
	D970	DZ2J062/M/-X	Z DIODE		1	
	D971	DZ2J068/M/-X	Z DIODE		1	
	D972	DZ2J062/M/-X	Z DIODE		1	
	D981	SK34A-L-X	SB DIODE		1	
	C1	CC73GCH1H330J	C CAPACITOR	33pF 50V J	1	
	C3	NCB31HK-104X	C CAPACITOR	0.1uF 50V K	1	
	C5	CK73GGB1C224K	C CAPACITOR	0.22uF 16V K	1	
	C6	CK73GGB1H102K	C CAPACITOR	1000pF 50V K	1	
	C7	CK73GGB1H102K	C CAPACITOR	1000pF 50V K	1	
△	C8	CC73GCH1H010C	C CAPACITOR	1pF 50V C	1	
	C10	CK73GGB1H102K	C CAPACITOR	1000pF 50V K	1	
	C11	CK73GGB1H152K	C CAPACITOR	1500pF 50V K	1	
	C12	NCB31HK-104X	C CAPACITOR	0.1uF 50V K	1	
	C13	CC73GCH1H220J	C CAPACITOR	22pF 50V J	1	
	C14	CC73GCH1H090D	C CAPACITOR	9pF 50V D	1	
	C17	CK730AX0J106K	C CAPACITOR	10uF 6.3V K	1	
	C18	CK730AX0J106K	C CAPACITOR	10uF 6.3V K	1	
	C19	NCB31HK-104X	C CAPACITOR	0.1uF 50V K	1	
	C23	CC73GCH1H030C	C CAPACITOR	3pF 50V C	1	
	C25	CK73GGB1H103K	C CAPACITOR	0.01uF 50V K	1	
△	C26	CC73GCH1H010C	C CAPACITOR	1pF 50V C	1	
	C28	CC73GCH1H120J	C CAPACITOR	12pF 50V J	1	
	C30	NCB31HK-104X	C CAPACITOR	0.1uF 50V K	1	
	C31	CK73GGB1H103K	C CAPACITOR	0.01uF 50V K	1	
	C60	CK73EXR1E106K	C CAPACITOR	10uF 25V K	1	
	C61	CK73EXR1E106K	C CAPACITOR	10uF 25V K	1	
	C62	NCB31HK-104X	C CAPACITOR	0.1uF 50V K	1	
	C63	CK73GGB1H103K	C CAPACITOR	0.01uF 50V K	1	
	C64	CK73GGB1H682K	C CAPACITOR	6800pF 50V K	1	
	C66	CK73EXR1E106K	C CAPACITOR	10uF 25V K	1	
	C67	CK73EXR1E106K	C CAPACITOR	10uF 25V K	1	
	C68	NCB31HK-104X	C CAPACITOR	0.1uF 50V K	1	
	C78	CC73GCH1H121J	C CAPACITOR	120pF 50V J	1	
	C79	CK73GGB1H103K	C CAPACITOR	0.01uF 50V K	1	

MODEL	MARK	MODEL	MARK	MODEL	MARK
KDC-BT558U	K1	KDC-X598	K0	KMR-D558BT	K2

Safe	Symbol No.	Parts No.	Parts Name	Description	QTY	Local
	C80	NCB31HK-104X	C CAPACITOR	0.1uF 50V K	1	
	C82	CK73GGB1H103K	C CAPACITOR	0.01uF 50V K	1	
	C83	CC73GCH1H121J	C CAPACITOR	120pF 50V J	1	
	C84	CC73GCH1H121J	C CAPACITOR	120pF 50V J	1	
	C92	CC73GCH1H820J	C CAPACITOR	82pF 50V J	1	
	C93	CC73GCH1H820J	C CAPACITOR	82pF 50V J	1	
	C94	NCB31AK-105X	C CAPACITOR	1uF 10V K	1	
	C95	CK73FXR1A106K	C CAPACITOR	10uF 10V K	1	
	C96	CK73GGB1H102K	C CAPACITOR	1000pF 50V K	1	
	C100	NCB31HK-104X	C CAPACITOR	0.1uF 50V K	1	
	C101	CK73GGB1H102K	C CAPACITOR	1000pF 50V K	1	
	C102	CK73GGB1H102K	C CAPACITOR	1000pF 50V K	1	
	C103	NCB31CK-105X	C CAPACITOR	1uF 16V K	1	
	C104	NCB31CK-105X	C CAPACITOR	1uF 16V K	1	
	C105	NCB31CK-105X	C CAPACITOR	1uF 16V K	1	
	C106	CK73GGB1H471K	C CAPACITOR	470pF 50V K	1	
	C161	NCB31AK-105X	C CAPACITOR	1uF 10V K	1	
	C162	NCB31AK-105X	C CAPACITOR	1uF 10V K	1	
	C163	CD04AV1V4R7M	E CAPACITOR	4.7uF 35V M	1	
	C164	CD04AV1V4R7M	E CAPACITOR	4.7uF 35V M	1	
	C165	CD04AV1C100M	E CAPACITOR	10uF 16V M	1	
	C166	NCB31HK-104X	C CAPACITOR	0.1uF 50V K	1	
	C169	NCB31AK-105X	C CAPACITOR	1uF 10V K	1	
	C170	NCB31AK-105X	C CAPACITOR	1uF 10V K	1	
	C171	NCB31AK-105X	C CAPACITOR	1uF 10V K	1	
	C173	NCB31AK-105X	C CAPACITOR	1uF 10V K	1	
	C174	NCB31AK-105X	C CAPACITOR	1uF 10V K	1	
	C177	NCB31AK-105X	C CAPACITOR	1uF 10V K	1	
	C250	CC73GCH1H101J	C CAPACITOR	100pF 50V J	1	
	C251	CD04AV1C100M	E CAPACITOR	10uF 16V M	1	
	C303	CC73GCH1H820J	C CAPACITOR	82pF 50V J	1	
	C304	CD04AV1C470M	E CAPACITOR	47uF 16V M	1	
	C305	CC73GCH1H820J	C CAPACITOR	82pF 50V J	1	
	C306	CC73GCH1H820J	C CAPACITOR	82pF 50V J	1	
	C312	CK730AV1C105K	C CAPACITOR	1uF 16V K	1	
	C316	CK730AV1C224K	C CAPACITOR	0.22uF 16V K	1	
	C317	CK730AV1C224K	C CAPACITOR	0.22uF 16V K	1	
	C318	CK730AV1C224K	C CAPACITOR	0.22uF 16V K	1	
	C319	CK730AV1C224K	C CAPACITOR	0.22uF 16V K	1	
	C320	CC73GCH1H101J	C CAPACITOR	100pF 50V J	1	
	C321	CD04AV1C100M	E CAPACITOR	10uF 16V M	1	
	C330	CC73GCH1H101J	C CAPACITOR	100pF 50V J	1	
	C331	CD04AV1C100M	E CAPACITOR	10uF 16V M	1	
	C340	CC73GCH1H101J	C CAPACITOR	100pF 50V J	1	
	C341	CD04AV1C100M	E CAPACITOR	10uF 16V M	1	
	C350	CC73GCH1H101J	C CAPACITOR	100pF 50V J	1	
	C351	CD04AV1C100M	E CAPACITOR	10uF 16V M	1	
	C368	NCB31AK-105X	C CAPACITOR	1uF 10V K	1	
	C369	NCB21AK-475X	C CAPACITOR	4.7uF 10V K	1	
	C371	CK73GGB1H102K	C CAPACITOR	1000pF 50V K	1	
	C372	CK73GGB1H103K	C CAPACITOR	0.01uF 50V K	1	
	C403	CK73GGB1H471K	C CAPACITOR	470pF 50V K	1	
	C410	CK73EXR1E106K	C CAPACITOR	10uF 25V K	1	
	C501	QEKJ0JM-107Z	E CAPACITOR	100uF 6.3V M	1	
	C502	CC73GCH1H681J	C CAPACITOR	680pF 50V J	1	
	C503	CC73GCH1H681J	C CAPACITOR	680pF 50V J	1	
	C504	CK73GGB1H472K	C CAPACITOR	4700pF 50V K	1	
	C701	NCB31HK-104X	C CAPACITOR	0.1uF 50V K	1	
	C702	NCB31HK-104X	C CAPACITOR	0.1uF 50V K	1	
	C703	NCB31HK-104X	C CAPACITOR	0.1uF 50V K	1	
	C704	NCB31HK-104X	C CAPACITOR	0.1uF 50V K	1	
	C705	NCB31HK-104X	C CAPACITOR	0.1uF 50V K	1	
	C706	NCB31HK-104X	C CAPACITOR	0.1uF 50V K	1	
	C707	NCB31HK-104X	C CAPACITOR	0.1uF 50V K	1	
	C708	NCB31HK-104X	C CAPACITOR	0.1uF 50V K	1	
	C709	CC73GCH1H090D	C CAPACITOR	9pF 50V D	1	
	C710	CC73GCH1H090D	C CAPACITOR	9pF 50V D	1	
	C711	NCB31HK-104X	C CAPACITOR	0.1uF 50V K	1	
	C712	NCB31HK-104X	C CAPACITOR	0.1uF 50V K	1	
	C714	NCB31HK-104X	C CAPACITOR	0.1uF 50V K	1	
	C715	NCB31HK-104X	C CAPACITOR	0.1uF 50V K	1	
	C716	NCB31HK-104X	C CAPACITOR	0.1uF 50V K	1	
	C717	NCB31HK-104X	C CAPACITOR	0.1uF 50V K	1	
	C718	NCB31HK-104X	C CAPACITOR	0.1uF 50V K	1	
	C719	NCB31HK-104X	C CAPACITOR	0.1uF 50V K	1	
	C720	NCB31HK-104X	C CAPACITOR	0.1uF 50V K	1	
	C728	CK73GGB1C473K	C CAPACITOR	0.047uF 16V K	1	
	C729	NCB31HK-104X	C CAPACITOR	0.1uF 50V K	1	
	C730	NCB31HK-104X	C CAPACITOR	0.1uF 50V K	1	
	C731	CK73GGB1H682K	C CAPACITOR	6800pF 50V K	1	
	C734	CK73GGB1H103K	C CAPACITOR	0.01uF 50V K	1	
	C735	CK73GGB1H471K	C CAPACITOR	470pF 50V K	1	
	C736	CK73GGB1H103K	C CAPACITOR	0.01uF 50V K	1	
	C738	NCB31HK-104X	C CAPACITOR	0.1uF 50V K	1	
	C740	NCB31HK-104X	C CAPACITOR	0.1uF 50V K	1	
	C741	CK73GGB1H103K	C CAPACITOR	0.01uF 50V K	1	
	C742	CK73GGB1H103K	C CAPACITOR	0.01uF 50V K	1	
	C744	CK73GGB1H103K	C CAPACITOR	0.01uF 50V K	1	
	C747	CK73GGB1H471K	C CAPACITOR	470pF 50V K	1	
	C801	CK73GGB1H103K	C CAPACITOR	0.01uF 50V K	1	
	C802	CK73GGB1H103K	C CAPACITOR	0.01uF 50V K	1	
	C803	NCB31CK-105X	C CAPACITOR	1uF 16V K	1	

MODEL	MARK	MODEL	MARK	MODEL	MARK
KDC-BT558U	K1	KDC-X598	K0	KMR-D558BT	K2

Safe	Symbol No.	Parts No.	Parts Name	Description	QTY	Local
C804		NCB31CK-105X	C CAPACITOR	1uF 16V K	1	
C805		NCB31CK-105X	C CAPACITOR	1uF 16V K	1	
C806		NCB31HK-104X	C CAPACITOR	0.1uF 50V K	1	
C840		NCB31HK-104X	C CAPACITOR	0.1uF 50V K	1	
C841		CK73GBB1H103K	C CAPACITOR	0.01uF 50V K	1	
C891		NCB31HK-104X	C CAPACITOR	0.1uF 50V K	1	
C901		QE20981-228	E CAPACITOR	2200uF	1	
C903		CD04AS1C220M	E CAPACITOR	22uF 16V M	1	
C904		CD04AR1C471M	E CAPACITOR	470uF 16V M	1	
C905		QEKJ0JM-107Z	E CAPACITOR	100uF 6.3V M	1	
C907		NCB20JK-106X	C CAPACITOR	10uF 6.3V K	1	
C908		NCB31CK-105X	C CAPACITOR	1uF 16V K	1	
C910		NCB31CK-105X	C CAPACITOR	1uF 16V K	1	
C911		NCB31CK-105X	C CAPACITOR	1uF 16V K	1	
C913		CK73FBB1C105K	C CAPACITOR	1uF 16V K	1	
C914		CK73FBB1C105K	C CAPACITOR	1uF 16V K	1	
C915		NCB31HK-104X	C CAPACITOR	0.1uF 50V K	1	
C916		CC73GCH1H070D	C CAPACITOR	7pF 50V D	1	
C917		CC73GCH1H030C	C CAPACITOR	3pF 50V C	1	
C930		NCB31AK-105X	C CAPACITOR	1uF 10V K	1	
C931		CK73FXR1A106K	C CAPACITOR	10uF 10V K	1	
C932		CK73FXR1A106K	C CAPACITOR	10uF 10V K	1	
C934		NCB31AK-105X	C CAPACITOR	1uF 10V K	1	
C935		CK73FXR1A106K	C CAPACITOR	10uF 10V K	1	
C936		NCB31AK-105X	C CAPACITOR	1uF 10V K	1	
C937		NCB31AK-105X	C CAPACITOR	1uF 10V K	1	
C938		QERF0JM-337Z	E CAPACITOR	330uF 6.3V M	1	
C950		NCB31HK-104X	C CAPACITOR	0.1uF 50V K	1	
C953		CK73GBB1C474K	C CAPACITOR	0.47uF 16V K	1	
C954		CK73GBB1C474K	C CAPACITOR	0.47uF 16V K	1	
C955		QEKJ0JM-107Z	E CAPACITOR	100uF 6.3V M	1	
C979		QEKJ0JM-107Z	E CAPACITOR	100uF 6.3V M	1	
C981		CK73GBB1H682K	C CAPACITOR	6800pF 50V K	1	
C983		CK73GBB1H471K	C CAPACITOR	470pF 50V K	1	
C984		CK73GBB1H103K	C CAPACITOR	0.01uF 50V K	1	
C985		CK73EXR1E106K	C CAPACITOR	10uF 25V K	1	
C986		CK73EXR1E106K	C CAPACITOR	10uF 25V K	1	
C987		NCB31HK-104X	C CAPACITOR	0.1uF 50V K	1	
C988		CK73EXR1E106K	C CAPACITOR	10uF 25V K	1	
C989		CK73EXR1E106K	C CAPACITOR	10uF 25V K	1	
C990		NCB31HK-104X	C CAPACITOR	0.1uF 50V K	1	
C991		NCB31HK-104X	C CAPACITOR	0.1uF 50V K	1	
C992		CK73EXR1E106K	C CAPACITOR	10uF 25V K	1	
C995		NCB31HK-104X	C CAPACITOR	0.1uF 50V K	1	
R1		RK73GB2A105J	MG RESISTOR	1MΩ 1/10W J	1	
R2		RK73GB2A105J	MG RESISTOR	1MΩ 1/10W J	1	
R3		RK73GB2A820J	MG RESISTOR	82Ω 1/10W J	1	
R4		RK73GB2A472J	MG RESISTOR	4.7kΩ 1/10W J	1	
R7		RK73GB2A101J	MG RESISTOR	100Ω 1/10W J	1	
R8		RK73GB2A101J	MG RESISTOR	100Ω 1/10W J	1	
R15		RK73GB2A4R7J	MG RESISTOR	4.7Ω 1/10W J	1	
R16		RK73GH2A100D	MG RESISTOR	10Ω 1/10W D	1	
R60		RK73GB2A000J	MG RESISTOR	0Ω 1/10W J	1	
R61		RK73GB2A103J	MG RESISTOR	10kΩ 1/10W J	1	
R62		RK73GH2A913D	MG RESISTOR	91kΩ 1/10W D	1	
R63		RK73GH2A224D	MG RESISTOR	220kΩ 1/10W D	1	
R64		RK73GH2A243D	MG RESISTOR	24kΩ 1/10W D	1	
R80		RK73GB2A101J	MG RESISTOR	100Ω 1/10W J	1	
R81		RK73GB2A101J	MG RESISTOR	100Ω 1/10W J	1	
R82		RK73GB2A472J	MG RESISTOR	4.7kΩ 1/10W J	1	
R83		RK73GB2A472J	MG RESISTOR	4.7kΩ 1/10W J	1	
R89		RK73GB2A000J	MG RESISTOR	0Ω 1/10W J	1	
R90		RK73GB2A181J	MG RESISTOR	180Ω 1/10W J	1	
R91		RK73GB2A181J	MG RESISTOR	180Ω 1/10W J	1	
R92		RK73GB2A100J	MG RESISTOR	10Ω 1/10W J	1	K1,K2
R92		RK73GB2A221J	MG RESISTOR	220Ω 1/10W J	1	K0
R93		RK73GB2A222J	MG RESISTOR	2.2kΩ 1/10W J	1	
R94		RK73FB2B100J	MG RESISTOR	10Ω 1/8W J	1	K1,K2
R94		RK73FB2B220J	MG RESISTOR	22Ω 1/8W J	1	K0
R95		RK73GB2A102J	MG RESISTOR	1kΩ 1/10W J	1	
R97		RK73GB2A473J	MG RESISTOR	47kΩ 1/10W J	1	
R98		RK73GB2A101J	MG RESISTOR	100Ω 1/10W J	1	
R99		RK73GB2A101J	MG RESISTOR	100Ω 1/10W J	1	
R100		RK73EB2E471J	MG RESISTOR	470Ω 1/4W J	1	
R101		RK73FB2B000J	MG RESISTOR	0Ω 1/8W J	1	
R103		RK73GB2A473J	MG RESISTOR	47kΩ 1/10W J	1	
R104		RK73GB2A473J	MG RESISTOR	47kΩ 1/10W J	1	
R162		RK73GB2A000J	MG RESISTOR	0Ω 1/10W J	1	
R164		RK73GB2A222J	MG RESISTOR	2.2kΩ 1/10W J	1	
R170		RK73EB2E000J	MG RESISTOR	0Ω 1/4W J	1	
R171		RK73GB2A103J	MG RESISTOR	10kΩ 1/10W J	1	
R250		RK73GB2A181J	MG RESISTOR	180Ω 1/10W J	1	
R251		RK73GB2A223J	MG RESISTOR	22kΩ 1/10W J	1	
R252		RK73GB2A331J	MG RESISTOR	330Ω 1/10W J	1	
R253		RK73GB2A000J	MG RESISTOR	0Ω 1/10W J	1	
R301		RK73GB2A000J	MG RESISTOR	0Ω 1/10W J	1	
R302		RK73GB2A222J	MG RESISTOR	2.2kΩ 1/10W J	1	
R303		RK73EB2E5R1J	MG RESISTOR	5.1Ω 1/4W J	1	
R304		RK73GB2A473J	MG RESISTOR	47kΩ 1/10W J	1	
R307		RK73EB2E000J	MG RESISTOR	0Ω 1/4W J	1	
R320		RK73GB2A181J	MG RESISTOR	180Ω 1/10W J	1	
R321		RK73GB2A223J	MG RESISTOR	22kΩ 1/10W J	1	
R323		RK73GB2A331J	MG RESISTOR	330Ω 1/10W J	1	

MODEL	MARK	MODEL	MARK	MODEL	MARK
KDC-BT558U	K1	KDC-X598	K0	KMR-D558BT	K2

Safe	Symbol No.	Parts No.	Parts Name	Description	QTY	Local
	R330	RK73GB2A181J	MG RESISTOR	180Ω 1/10W J	1	
	R331	RK73GB2A223J	MG RESISTOR	22kΩ 1/10W J	1	
	R333	RK73GB2A331J	MG RESISTOR	330Ω 1/10W J	1	
	R340	RK73GB2A181J	MG RESISTOR	180Ω 1/10W J	1	
	R341	RK73GB2A223J	MG RESISTOR	22kΩ 1/10W J	1	
	R343	RK73GB2A331J	MG RESISTOR	330Ω 1/10W J	1	
	R350	RK73GB2A181J	MG RESISTOR	180Ω 1/10W J	1	
	R351	RK73GB2A223J	MG RESISTOR	22kΩ 1/10W J	1	
	R353	RK73GB2A331J	MG RESISTOR	330Ω 1/10W J	1	
	R403	RK73EB2E000J	MG RESISTOR	0Ω 1/4W J	1	
	R404	RK73EB2E000J	MG RESISTOR	0Ω 1/4W J	1	
	R406	RK73GB2A000J	MG RESISTOR	0Ω 1/10W J	1	
	R411	RK73EB2E000J	MG RESISTOR	0Ω 1/4W J	1	
	R412	RK73EB2E000J	MG RESISTOR	0Ω 1/4W J	1	
	R413	RK73EB2E000J	MG RESISTOR	0Ω 1/4W J	1	
	R414	RK73EB2E000J	MG RESISTOR	0Ω 1/4W J	1	
	R415	RK73EB2E000J	MG RESISTOR	0Ω 1/4W J	1	
	R416	RK73EB2E000J	MG RESISTOR	0Ω 1/4W J	1	
	R417	RK73GB2A000J	MG RESISTOR	0Ω 1/10W J	1	
	R419	RK73EB2E000J	MG RESISTOR	0Ω 1/4W J	1	
	R420	RK73GB2A000J	MG RESISTOR	0Ω 1/10W J	1	
	R422	NRZ0084-0R0X	MG RESISTOR	0Ω	1	
	R423	NRZ0084-0R0X	MG RESISTOR	0Ω	1	
	R425	RK73GB2A000J	MG RESISTOR	0Ω 1/10W J	1	
	R428	RK73EB2E000J	MG RESISTOR	0Ω 1/4W J	1	
	R429	RK73EB2E000J	MG RESISTOR	0Ω 1/4W J	1	
	R432	RK73EB2E000J	MG RESISTOR	0Ω 1/4W J	1	
	R435	RK73GB2A000J	MG RESISTOR	0Ω 1/10W J	1	
	R439	RK73EB2E000J	MG RESISTOR	0Ω 1/4W J	1	
	R440	RK73EB2E000J	MG RESISTOR	0Ω 1/4W J	1	
	R443	RK73GB2A000J	MG RESISTOR	0Ω 1/10W J	1	
	R445	RK73GB2A000J	MG RESISTOR	0Ω 1/10W J	1	
	R447	RK73EB2E000J	MG RESISTOR	0Ω 1/4W J	1	
	R454	RK73GB2A000J	MG RESISTOR	0Ω 1/10W J	1	
	R455	RK73GB2A000J	MG RESISTOR	0Ω 1/10W J	1	
	R456	RK73GB2A000J	MG RESISTOR	0Ω 1/10W J	1	
	R458	RK73EB2E000J	MG RESISTOR	0Ω 1/4W J	1	
	R463	RK73EB2E000J	MG RESISTOR	0Ω 1/4W J	1	
	R473	RK73GB2A000J	MG RESISTOR	0Ω 1/10W J	1	
	R474	RK73GB2A000J	MG RESISTOR	0Ω 1/10W J	1	
	R480	RK73GB2A000J	MG RESISTOR	0Ω 1/10W J	1	
	R481	RK73GB2A000J	MG RESISTOR	0Ω 1/10W J	1	
	R482	RK73EB2E000J	MG RESISTOR	0Ω 1/4W J	1	
	R489	RK73EB2E000J	MG RESISTOR	0Ω 1/4W J	1	
	R492	RK73EB2E000J	MG RESISTOR	0Ω 1/4W J	1	
	R493	RK73GB2A000J	MG RESISTOR	0Ω 1/10W J	1	
	R494	RK73GB2A000J	MG RESISTOR	0Ω 1/10W J	1	
	R496	RK73GB2A000J	MG RESISTOR	0Ω 1/10W J	1	
	R501	RK73GB2A222J	MG RESISTOR	2.2kΩ 1/10W J	1	
	R502	RK73GB2A222J	MG RESISTOR	2.2kΩ 1/10W J	1	
	R701	RK73GB2A101J	MG RESISTOR	100Ω 1/10W J	1	
	R702	RK73GB2A472J	MG RESISTOR	4.7kΩ 1/10W J	1	
	R703	RK73GB2A162J	MG RESISTOR	1.6kΩ 1/10W J	1	
	R704	RK73GB2A162J	MG RESISTOR	1.6kΩ 1/10W J	1	
	R705	RK73GB2A162J	MG RESISTOR	1.6kΩ 1/10W J	1	
	R706	RK73GB2A162J	MG RESISTOR	1.6kΩ 1/10W J	1	
	R707	RK73GB2A162J	MG RESISTOR	1.6kΩ 1/10W J	1	
	R708	RK73GB2A911J	MG RESISTOR	910Ω 1/10W J	1	
	R710	RK73GB2A473J	MG RESISTOR	47kΩ 1/10W J	1	
	R711	RK73GB2A473J	MG RESISTOR	47kΩ 1/10W J	1	
	R713	RK73GB2A473J	MG RESISTOR	47kΩ 1/10W J	1	
	R714	RK73GB2A101J	MG RESISTOR	100Ω 1/10W J	1	
	R715	RK73GB2A101J	MG RESISTOR	100Ω 1/10W J	1	
	R716	RK73GB2A101J	MG RESISTOR	100Ω 1/10W J	1	
	R717	RK73GB2A103J	MG RESISTOR	10kΩ 1/10W J	1	
	R718	RK73GB2A222J	MG RESISTOR	2.2kΩ 1/10W J	1	
	R719	RK73GB2A332J	MG RESISTOR	3.3kΩ 1/10W J	1	
	R720	RK73GB2A332J	MG RESISTOR	3.3kΩ 1/10W J	1	
	R721	RK73GB2A102J	MG RESISTOR	1kΩ 1/10W J	1	
	R722	RK73GB2A102J	MG RESISTOR	1kΩ 1/10W J	1	
	R723	RK73GB2A222J	MG RESISTOR	2.2kΩ 1/10W J	1	
	R725	RK73GB2A473J	MG RESISTOR	47kΩ 1/10W J	1	K2
	R726	RK73GB2A473J	MG RESISTOR	47kΩ 1/10W J	1	
	R729	RK73GB2A105J	MG RESISTOR	1MΩ 1/10W J	1	
	R730	RK73GB2A222J	MG RESISTOR	2.2kΩ 1/10W J	1	
	R731	RK73GB2A153J	MG RESISTOR	15kΩ 1/10W J	1	
	R732	RK73GB2A153J	MG RESISTOR	15kΩ 1/10W J	1	
	R733	RK73GB2A220J	MG RESISTOR	22Ω 1/10W J	1	
	R734	RK73GB2A220J	MG RESISTOR	22Ω 1/10W J	1	
	R735	RK73GB2A473J	MG RESISTOR	47kΩ 1/10W J	1	
	R738	RK73GB2A473J	MG RESISTOR	47kΩ 1/10W J	1	
	R739	RK73GB2A473J	MG RESISTOR	47kΩ 1/10W J	1	
	R740	RK73GB2A225J	MG RESISTOR	2.2MΩ 1/10W J	1	K1,K0
	R741	RK73GB2A223J	MG RESISTOR	22kΩ 1/10W J	1	K1
	R741	RK73GB2A273J	MG RESISTOR	27kΩ 1/10W J	1	K0
	R741	RK73GB2A153J	MG RESISTOR	15kΩ 1/10W J	1	K2
	R743	RK73GB2A273J	MG RESISTOR	27kΩ 1/10W J	1	K1
	R743	RK73GB2A223J	MG RESISTOR	22kΩ 1/10W J	1	K0
	R743	RK73GB2A333J	MG RESISTOR	33kΩ 1/10W J	1	K2
	R744	RK73GB2A162J	MG RESISTOR	1.6kΩ 1/10W J	1	
	R745	RK73GB2A473J	MG RESISTOR	47kΩ 1/10W J	1	
	R746	RK73GB2A473J	MG RESISTOR	47kΩ 1/10W J	1	

MODEL	MARK	MODEL	MARK	MODEL	MARK
KDC-BT558U	K1	KDC-X598	K0	KMR-D558BT	K2

Safe	Symbol No.	Parts No.	Parts Name	Description	QTY	Local
	R747	RK73GB2A473J	MG RESISTOR	47kΩ 1/10W J	1	
	R748	RK73GB2A473J	MG RESISTOR	47kΩ 1/10W J	1	
	R749	RK73GB2A473J	MG RESISTOR	47kΩ 1/10W J	1	
	R750	RK73GB2A104J	MG RESISTOR	100kΩ 1/10W J	1	
	R751	RK73GB2A473J	MG RESISTOR	47kΩ 1/10W J	1	
	R752	RK73GB2A473J	MG RESISTOR	47kΩ 1/10W J	1	
	R753	RK73GB2A473J	MG RESISTOR	47kΩ 1/10W J	1	
	R754	RK73GB2A473J	MG RESISTOR	47kΩ 1/10W J	1	
	R756	RK73GB2A473J	MG RESISTOR	47kΩ 1/10W J	1	
	R757	RK73GB2A473J	MG RESISTOR	47kΩ 1/10W J	1	
	R758	RK73GB2A102J	MG RESISTOR	1kΩ 1/10W J	1	
	R759	RK73GB2A472J	MG RESISTOR	4.7kΩ 1/10W J	1	
	R760	RK73GB2A472J	MG RESISTOR	4.7kΩ 1/10W J	1	
	R761	RK73GB2A103J	MG RESISTOR	10kΩ 1/10W J	1	
	R762	RK73EB2E103J	MG RESISTOR	10kΩ 1/4W J	1	
	R763	RK73GB2A472J	MG RESISTOR	4.7kΩ 1/10W J	1	
	R764	RK73GB2A472J	MG RESISTOR	4.7kΩ 1/10W J	1	
	R765	RK73GB2A472J	MG RESISTOR	4.7kΩ 1/10W J	1	
	R767	RK73GB2A473J	MG RESISTOR	47kΩ 1/10W J	1	
	R768	RK73GB2A471J	MG RESISTOR	470Ω 1/10W J	1	
	R769	RK73GB2A332J	MG RESISTOR	3.3kΩ 1/10W J	1	
	R770	RK73GB2A471J	MG RESISTOR	470Ω 1/10W J	1	
	R771	RK73GB2A471J	MG RESISTOR	470Ω 1/10W J	1	
	R772	RK73GB2A911J	MG RESISTOR	910Ω 1/10W J	1	
	R773	RK73GB2A102J	MG RESISTOR	1kΩ 1/10W J	1	
	R775	RK73GB2A000J	MG RESISTOR	0Ω 1/10W J	1	
	R776	RK73GB2A101J	MG RESISTOR	100Ω 1/10W J	1	
	R777	RK73GB2A101J	MG RESISTOR	100Ω 1/10W J	1	
	R778	RK73GB2A102J	MG RESISTOR	1kΩ 1/10W J	1	
	R779	RK73GB2A473J	MG RESISTOR	47kΩ 1/10W J	1	
	R780	RK73GB2A223J	MG RESISTOR	22kΩ 1/10W J	1	
	R781	RK73GB2A331J	MG RESISTOR	330Ω 1/10W J	1	
	R782	RK73GB2A101J	MG RESISTOR	100Ω 1/10W J	1	
	R783	RK73GB2A104J	MG RESISTOR	100kΩ 1/10W J	1	
	R784	RK73GB2A103J	MG RESISTOR	10kΩ 1/10W J	1	
	R785	RK73GB2A473J	MG RESISTOR	47kΩ 1/10W J	1	
	R787	RK73GB2A101J	MG RESISTOR	100Ω 1/10W J	1	
	R788	RK73GB2A101J	MG RESISTOR	100Ω 1/10W J	1	
	R791	RK73GB2A101J	MG RESISTOR	100Ω 1/10W J	1	
	R792	RK73GB2A101J	MG RESISTOR	100Ω 1/10W J	1	
	R793	RK73GB2A101J	MG RESISTOR	100Ω 1/10W J	1	
	R794	RK73GB2A101J	MG RESISTOR	100Ω 1/10W J	1	
	R796	RK73GB2A221J	MG RESISTOR	220Ω 1/10W J	1	
	R797	RK73GB2A222J	MG RESISTOR	2.2kΩ 1/10W J	1	
	R800	RK73GB2A000J	MG RESISTOR	0Ω 1/10W J	1	
	R801	RK73GB2A4R7J	MG RESISTOR	4.7Ω 1/10W J	1	
	R802	RK73GB2A100J	MG RESISTOR	10Ω 1/10W J	1	
	R803	RK73GB2A100J	MG RESISTOR	10Ω 1/10W J	1	
	R804	RK73GB2A101J	MG RESISTOR	100Ω 1/10W J	1	
	R805	RK73GB2A101J	MG RESISTOR	100Ω 1/10W J	1	
	R807	RK73GB2A104J	MG RESISTOR	100kΩ 1/10W J	1	
	R840	RK73GB2A473J	MG RESISTOR	47kΩ 1/10W J	1	
	R841	RK73GB2A473J	MG RESISTOR	47kΩ 1/10W J	1	
	R842	RK73GB2A473J	MG RESISTOR	47kΩ 1/10W J	1	
	R891	RK73GB2A103J	MG RESISTOR	10kΩ 1/10W J	1	
	R892	RK73GB2A683J	MG RESISTOR	68kΩ 1/10W J	1	
	R893	RK73GB2A123J	MG RESISTOR	12kΩ 1/10W J	1	
	R901	RK73GB2A333J	MG RESISTOR	33kΩ 1/10W J	1	
	R902	RK73GB2A472J	MG RESISTOR	4.7kΩ 1/10W J	1	
	R903	RK73GB2A273J	MG RESISTOR	27kΩ 1/10W J	1	
	R904	RK73GB2A472J	MG RESISTOR	4.7kΩ 1/10W J	1	K1,K2
	R904	RK73GB2A332J	MG RESISTOR	3.3kΩ 1/10W J	1	K0
	R911	RK73EB2E472J	MG RESISTOR	4.7kΩ 1/4W J	1	
	R914	RK73GB2A102J	MG RESISTOR	1kΩ 1/10W J	1	
	R915	RK73GB2A000J	MG RESISTOR	0Ω 1/10W J	1	
	R916	RK73GB2A103J	MG RESISTOR	10kΩ 1/10W J	1	
	R920	RK73GB2A332J	MG RESISTOR	3.3kΩ 1/10W J	1	
	R921	RK73GH2A100D	MG RESISTOR	10Ω 1/10W D	1	
	R930	RK73GB2A000J	MG RESISTOR	0Ω 1/10W J	1	
	R931	RK73GB2A431J	MG RESISTOR	430Ω 1/10W J	1	K1,K2
	R931	RK73GB2A681J	MG RESISTOR	680Ω 1/10W J	1	K0
	R933	RK73EB2E4R7J	MG RESISTOR	4.7Ω 1/4W J	1	
	R935	RK73EB2E4R7J	MG RESISTOR	4.7Ω 1/4W J	1	
	R945	RK73GB2A103J	MG RESISTOR	10kΩ 1/10W J	1	
	R946	RK73EB2E000J	MG RESISTOR	0Ω 1/4W J	1	
	R969	RK73GB2A563J	MG RESISTOR	56kΩ 1/10W J	1	
	R970	RK73FB2B683J	MG RESISTOR	68kΩ 1/8W J	1	
	R971	RK73FB2B473J	MG RESISTOR	47kΩ 1/8W J	1	
	R972	RK73GB2A104J	MG RESISTOR	100kΩ 1/10W J	1	
	R973	RK73GB2A333J	MG RESISTOR	33kΩ 1/10W J	1	
	R974	RK73GB2A223J	MG RESISTOR	22kΩ 1/10W J	1	
	R975	RK73GB2A333J	MG RESISTOR	33kΩ 1/10W J	1	
	R976	RK73GB2A104J	MG RESISTOR	100kΩ 1/10W J	1	
	R977	RK73GB2A223J	MG RESISTOR	22kΩ 1/10W J	1	
	R978	RK73EB2E473J	MG RESISTOR	47kΩ 1/4W J	1	
	R979	RK73EB2E682J	MG RESISTOR	6.8kΩ 1/4W J	1	
	R980	RK73EB2E682J	MG RESISTOR	6.8kΩ 1/4W J	1	
	R982	RK73GH2A913D	MG RESISTOR	91kΩ 1/10W D	1	
	R983	RK73GH2A224D	MG RESISTOR	220kΩ 1/10W D	1	
	R984	RK73GH2A243D	MG RESISTOR	24kΩ 1/10W D	1	
	R986	RK73GB2A000J	MG RESISTOR	0Ω 1/10W J	1	
	R987	RK73GB2A103J	MG RESISTOR	10kΩ 1/10W J	1	

MODEL	MARK	MODEL	MARK	MODEL	MARK
KDC-BT558U	K1	KDC-X598	K0	KMR-D558BT	K2

Safe	Symbol No.	Parts No.	Parts Name	Description	QTY	Local	
	R989	RK73GB2A103J	MG RESISTOR	10kΩ 1/10W J	1		
	R990	RK73GH2A203D	MG RESISTOR	20kΩ 1/10W D	1		
	R995	RK73GH2A100D	MG RESISTOR	10Ω 1/10W D	1		
	L3	NQLM93K-R10X	COIL	0.1uH K	1		
	L5	NQLM93K-4R7X	COIL	4.7uH K	1		
	L6	NQLM93K-R15X	COIL	0.15uH K	1		
	L7	NQLM93K-R47X	COIL	0.47uH K	1		
	L8	NQLM93K-1R0X	COIL	1uH K	1		
	L9	NQL79GM-4R7X	COIL	4.7uH M	1		
	L10	NQLM93K-R12X	COIL	0.12uH K	1		
	L11	NQLM93K-R22X	COIL	0.22uH K	1		
	L60	NQLH25M-4R7X	COIL	4.7uH M	1		
	L61	NQLN9EM-150X	COIL	15uH M	1		
	L91	NQL79GM-470X	COIL	47uH M	1		
	L92	NQR0154-006X	FERRITE CORE		1		
	L93	NQR0154-006X	FERRITE CORE		1		
	L96	NQR0154-006X	FERRITE CORE		1		
	L97	NQR0022-005X	FERRITE BEADS		1		
	L98	NQLH25M-4R7X	COIL	4.7uH M	1		
	L702	NQR0022-005X	FERRITE BEADS		1		
	L703	NQR0022-005X	FERRITE BEADS		1		
	L704	NQR0022-005X	FERRITE BEADS		1		
	L751	NQR0269-030X	FERRITE BEADS		1		
	L752	NQR0022-005X	FERRITE BEADS		1		
	L753	NQR0022-005X	FERRITE BEADS		1		
	L754	NQR0022-005X	FERRITE BEADS		1		
	L755	NQR0022-005X	FERRITE BEADS		1		
	L756	NQR0022-005X	FERRITE BEADS		1		
	L757	NQR0022-005X	FERRITE BEADS		1		
	L758	NQR0269-017X	FERRITE BEADS		1		
	L759	NQR0713-001X	FERRITE BEADS		1		
	L777	NQR0022-005X	FERRITE BEADS		1		
	L778	NQR0022-005X	FERRITE BEADS		1		
	L779	NQR0022-005X	FERRITE BEADS		1		
	L841	NQR0154-006X	FERRITE CORE		1		
	L901	QQR1909-001	CHOKO COIL		1		
	L941	NQL79GM-4R7X	COIL	4.7uH M	1		
	L981	NQLN9EM-150X	COIL	15uH M	1		
	L982	NQLH25M-4R7X	COIL	4.7uH M	1		
	CN92	QGA2001F1-02	CONNECTOR	W-B (1-2)	1		
	CN502	QGF1040F1-26	CONNECTOR	FFC/FPC (1-26)	1		
	CN701	QGZ1102J1-20	CONNECTOR	(1-20)	1		
	CN901	QNZ0607-001	CAR CONNECTOR		1		
	J1	QNB0358-001	ANT TERMINAL		1		
	J321	QNN0866-001	PIN JACK		1		
	J801	QNZ0907-001	CIR CONNECTOR		1		
	S701	QSW0648-001Z	TACT SWITCH		1		
	X1	QAX0969-001Z	CRYSTAL		1		
	X701	NAX1243-001X	CRYSTAL		1		
	SWITCH UNIT (X16-7550-1x) <X16>						
	IC601	PCA9633DP1-X	IC		1		
	IC661	PT6530-LQ	IC		1		
	IC681	PIC95603-X	IR DETECT UNIT		1	K1,K0	
	Q611	LSCR523UB-X	TRANSISTOR		1		
	Q641	LTA014EUB-X	DIGI TRANSISTOR		1	K1,K0	
	Q642	LTC014EUB-X	DIGI TRANSISTOR		1	K1,K0	
	Q661	LSCR523UB-X	TRANSISTOR		1		
	Q662	LSCR523UB-X	TRANSISTOR		1		
	Q663	LSCR523EB-X	TRANSISTOR		1		
	Q664	LSCR523UB-X	TRANSISTOR		1		
	D611	MBRX130-TP-X	SB DIODE		1		
	D612	DZ2J056/M/-X	Z DIODE		1		
	D631	DZ2J051/M/-X	Z DIODE		1		
	D632	DZ2J051/M/-X	Z DIODE		1		
	D660	SML-D12V8W-X	LED		1		
	D661	SML-310VT-X	LED		1		
	D662	LRTBGFTG/Z1Z1X	LED		1		
	D663	LRTBGFTG/Z1Z1X	LED		1		
	D664	LRTBGFTG/Z1Z1X	LED		1		
	D665	LRTBGFTG/Z1Z1X	LED		1		
	D666	LRTBGFTG/Z1Z1X	LED		1		
	D669	LRTBGFTG/Z1Z1X	LED		1		
	C602	NCB31CK-105X	C CAPACITOR	1uF 16V K	1		
	C614	CK73GBB1H102K	C CAPACITOR	1000pF 50V K	1		
	C615	NCB31CK-105X	C CAPACITOR	1uF 16V K	1		
	C616	NCB31CK-105X	C CAPACITOR	1uF 16V K	1		
	C617	NCB31HK-104X	C CAPACITOR	0.1uF 50V K	1		
	C618	NCB31HK-104X	C CAPACITOR	0.1uF 50V K	1		
	C619	NCB31HK-104X	C CAPACITOR	0.1uF 50V K	1		
	C620	NCB31HK-104X	C CAPACITOR	0.1uF 50V K	1		
	C632	CC73GCH1H270J	C CAPACITOR	27pF 50V J	1		
	C633	CC73GCH1H270J	C CAPACITOR	27pF 50V J	1		
	C634	CK73EXR1E106K	C CAPACITOR	10uF 25V K	1		
	C635	CK73GBB1H471K	C CAPACITOR	470pF 50V K	1		
	C636	CK73GBB1H472K	C CAPACITOR	4700pF 50V K	1		
	C638	CK73GBB1H472K	C CAPACITOR	4700pF 50V K	1		
	C639	CK73GBB1H472K	C CAPACITOR	4700pF 50V K	1		
	C641	NCB31AK-105X	C CAPACITOR	1uF 10V K	1	K1,K0	
	C691	CK73EXR1E106K	C CAPACITOR	10uF 25V K	1		
	R601	RK73GB2A101J	MG RESISTOR	100Ω 1/10W J	1		
	R602	RK73GB2A101J	MG RESISTOR	100Ω 1/10W J	1		
	R612	RK73FB2B331J	MG RESISTOR	330Ω 1/8W J	1		

MODEL	MARK	MODEL	MARK	MODEL	MARK
KDC-BT558U	K1	KDC-X598	K0	KMR-D558BT	K2

Safe	Symbol No.	Parts No.	Parts Name	Description	QTY	Local
R613		RK73GB2A102J	MG RESISTOR	1kΩ 1/10W J	1	
R621		RK73GB2A101J	MG RESISTOR	100Ω 1/10W J	1	
R622		RK73GB2A101J	MG RESISTOR	100Ω 1/10W J	1	
R623		RK73GB2A101J	MG RESISTOR	100Ω 1/10W J	1	
R624		RK73GB2A101J	MG RESISTOR	100Ω 1/10W J	1	
R625		RK73GB2A101J	MG RESISTOR	100Ω 1/10W J	1	
R626		RK73GB2A393J	MG RESISTOR	39kΩ 1/10W J	1	
R627		RK73GB2A472J	MG RESISTOR	4.7kΩ 1/10W J	1	
R628		RK73GB2A472J	MG RESISTOR	4.7kΩ 1/10W J	1	
R629		RK73GB2A472J	MG RESISTOR	4.7kΩ 1/10W J	1	
R630		RK73FB2B100J	MG RESISTOR	10Ω 1/8W J	1	
R631		RK73FB2B100J	MG RESISTOR	10Ω 1/8W J	1	
R632		RK73EB2E103J	MG RESISTOR	10kΩ 1/4W J	1	
R633		RK73GB2A101J	MG RESISTOR	100Ω 1/10W J	1	
R634		RK73FB2B4R7J	MG RESISTOR	4.7Ω 1/8W J	1	
R637		RK73GB2A000J	MG RESISTOR	0Ω 1/10W J	1	
R641		RK73GB2A333J	MG RESISTOR	33kΩ 1/10W J	1	K1,K0
R659		RK73GB2A122J	MG RESISTOR	1.2kΩ 1/10W J	1	
R660		RK73GB2A152J	MG RESISTOR	1.5kΩ 1/10W J	1	
R661		RK73EB2E751J	MG RESISTOR	750Ω 1/4W J	1	
R663		RK73FB2B471J	MG RESISTOR	470Ω 1/8W J	1	
R665		RK73FB2B471J	MG RESISTOR	470Ω 1/8W J	1	
R667		RK73FB2B751J	MG RESISTOR	750Ω 1/8W J	1	
R669		RK73FB2B471J	MG RESISTOR	470Ω 1/8W J	1	
R671		RK73FB2B471J	MG RESISTOR	470Ω 1/8W J	1	
R673		RK73FB2B751J	MG RESISTOR	750Ω 1/8W J	1	
R675		RK73FB2B821J	MG RESISTOR	820Ω 1/8W J	1	
R677		RK73FB2B821J	MG RESISTOR	820Ω 1/8W J	1	
R679		RK73FB2B102J	MG RESISTOR	1kΩ 1/8W J	1	
R681		RK73FB2B561J	MG RESISTOR	560Ω 1/8W J	1	
R683		RK73FB2B561J	MG RESISTOR	560Ω 1/8W J	1	
R685		RK73FB2B751J	MG RESISTOR	750Ω 1/8W J	1	
R686		RK73GB2A102J	MG RESISTOR	1kΩ 1/10W J	1	
R687		RK73GB2A102J	MG RESISTOR	1kΩ 1/10W J	1	
R688		RK73GB2A102J	MG RESISTOR	1kΩ 1/10W J	1	
R689		RK73GB2A102J	MG RESISTOR	1kΩ 1/10W J	1	
R690		RK73EB2E000J	MG RESISTOR	0Ω 1/4W J	1	
R696		RK73GB2A000J	MG RESISTOR	0Ω 1/10W J	1	
R697		RK73GB2A000J	MG RESISTOR	0Ω 1/10W J	1	
R698		RK73GB2A000J	MG RESISTOR	0Ω 1/10W J	1	
R699		RK73GB2A000J	MG RESISTOR	0Ω 1/10W J	1	
RA601		RK74GB1J101J	NET RESISTOR	100Ω 1/16W J	1	
RA602		RK74GB1J101J	NET RESISTOR	100Ω 1/16W J	1	
L601		NQR0022-005X	FERRITE BEADS		1	
CN601		QGZ1102K3-20X	CONNECTOR	(1-20)	1	
CN603		QNZ1076-001	USB CONNECTOR		1	
EN601		QSW1288-001	ROTARY ENCODER		1	
J602		QNS0323-001	3.5 JACK		1	
LF691		NQR0704-001X	CHOKE COIL		1	
S601		NSW0246-001X	TACT SWITCH		1	
S602		NSW0246-001X	TACT SWITCH		1	
S603		NSW0246-001X	TACT SWITCH		1	
S604		NSW0246-001X	TACT SWITCH		1	
S605		NSW0246-001X	TACT SWITCH		1	
S606		NSW0246-001X	TACT SWITCH		1	
S607		NSW0246-001X	TACT SWITCH		1	
S608		NSW0246-001X	TACT SWITCH		1	
S609		NSW0246-001X	TACT SWITCH		1	
S610		NSW0246-001X	TACT SWITCH		1	
S611		NSW0246-001X	TACT SWITCH		1	
S612		NSW0246-001X	TACT SWITCH		1	
S613		NSW0246-001X	TACT SWITCH		1	
S614		NSW0246-001X	TACT SWITCH		1	
S615		NSW0246-001X	TACT SWITCH		1	
BLUETOOTH UNIT (X17-2220-12) <X17>						
IC2		AK4387ET	ANALOG IC		1	
IC3		BU18TD3WG	MOS IC		1	
IC4		BA4560RFV	MOS IC		1	
IC5		TCC860000XEAU	MPU IC		1	
IC6		AL016J70TF5F6	ROM IC		1	
IC7		EM638165TSD61G	DRAM IC		1	
C1		CC73HCH1H331J	C CAPACITOR	330pF 50V J	1	
C2		CK73GB1A105K	C CAPACITOR	1uF 10V K	1	
C5		CK73HB1H102K	C CAPACITOR	1000pF 50V K	1	
C6		CK73HB0J105K	C CAPACITOR	1uF 6.3V K	1	
C7		CK73HB0J105K	C CAPACITOR	1uF 6.3V K	1	
C8		CK73GB0J475K	C CAPACITOR	4.7uF 6.3V K	1	
C9		CK73HB1H471K	C CAPACITOR	470pF 50V K	1	
C10		CK73HB1H471K	C CAPACITOR	470pF 50V K	1	
C11		CC73HCH1H220J	C CAPACITOR	22pF 50V J	1	
C12		CK73GB1A105K	C CAPACITOR	1uF 10V K	1	
C13		CK73HB1A104K	C CAPACITOR	0.1uF 10V K	1	
C14		CK73HB1A104K	C CAPACITOR	0.1uF 10V K	1	
C16		CK73HB1C333K	C CAPACITOR	0.033uF 16V K	1	
C17		CK73GB0J475K	C CAPACITOR	4.7uF 6.3V K	1	
C18		CK73FB0J106K	C CAPACITOR	10uF 6.3V K	1	
C19		CK73FB0J106K	C CAPACITOR	10uF 6.3V K	1	
C20		CK73HB1H152K	C CAPACITOR	1500pF 50V K	1	
C21		CK73HB1C333K	C CAPACITOR	0.033uF 16V K	1	
C22		CK73HB1H152K	C CAPACITOR	1500pF 50V K	1	
C23		CK73HB1A104K	C CAPACITOR	0.1uF 10V K	1	
C24		CK73HB1A104K	C CAPACITOR	0.1uF 10V K	1	

MODEL	MARK	MODEL	MARK	MODEL	MARK
KDC-BT558U	K1	KDC-X598	K0	KMR-D558BT	K2

Safe	Symbol No.	Parts No.	Parts Name	Description	QTY	Local
C25		CK73HB1A104K	C CAPACITOR	0.1uF 10V K	1	
C26		CK73HB1H122K	C CAPACITOR	1200pF 50V K	1	
C27		CC73HCH1H180J	C CAPACITOR	18pF 50V J	1	
C28		CC73HCH1H331J	C CAPACITOR	330pF 50V J	1	
C29		CK73HB1A104K	C CAPACITOR	0.1uF 10V K	1	
C30		CK73HB1A104K	C CAPACITOR	0.1uF 10V K	1	
C31		CK73HB1A104K	C CAPACITOR	0.1uF 10V K	1	
C32		CK73HB1E103K	C CAPACITOR	0.01uF 25V K	1	
C33		CK73HB0J105K	C CAPACITOR	1uF 6.3V K	1	
C34		CK73HB1A104K	C CAPACITOR	0.1uF 10V K	1	
C35		CK73HB1A104K	C CAPACITOR	0.1uF 10V K	1	
C36		CC73HCH1H100D	C CAPACITOR	10pF 50V D	1	
C37		CC73HCH1H100D	C CAPACITOR	10pF 50V D	1	
C38		CK73HB1A104K	C CAPACITOR	0.1uF 10V K	1	
C39		CK73HB1A104K	C CAPACITOR	0.1uF 10V K	1	
C40		CK73HB1A104K	C CAPACITOR	0.1uF 10V K	1	
C41		CK73HB1A104K	C CAPACITOR	0.1uF 10V K	1	
C42		CK73HB1A104K	C CAPACITOR	0.1uF 10V K	1	
C43		CK73HB1A104K	C CAPACITOR	0.1uF 10V K	1	
C44		CK73HB1A104K	C CAPACITOR	0.1uF 10V K	1	
C45		CK73HB1A104K	C CAPACITOR	0.1uF 10V K	1	
C46		CK73HB1A104K	C CAPACITOR	0.1uF 10V K	1	
C47		CK73HB1A104K	C CAPACITOR	0.1uF 10V K	1	
C48		CK73HB1A104K	C CAPACITOR	0.1uF 10V K	1	
C49		CK73GB0J475K	C CAPACITOR	4.7uF 6.3V K	1	
C50		CK73HB1A104K	C CAPACITOR	0.1uF 10V K	1	
C51		CK73FB0J106K	C CAPACITOR	10uF 6.3V K	1	
C52		CK73HB1A104K	C CAPACITOR	0.1uF 10V K	1	
C53		CK73HB1A104K	C CAPACITOR	0.1uF 10V K	1	
C54		CK73HB1A104K	C CAPACITOR	0.1uF 10V K	1	
C55		CK73HB1A104K	C CAPACITOR	0.1uF 10V K	1	
C56		CK73HB1A104K	C CAPACITOR	0.1uF 10V K	1	
C57		CK73HB1A104K	C CAPACITOR	0.1uF 10V K	1	
C58		CK73HB1A104K	C CAPACITOR	0.1uF 10V K	1	
R1		RK73HB1J000J	MG RESISTOR	0Ω 1/16W J	1	
R2		RK73HB1J000J	MG RESISTOR	0Ω 1/16W J	1	
R3		RK73HB1J000J	MG RESISTOR	0Ω 1/16W J	1	
R5		RK73HB1J000J	MG RESISTOR	0Ω 1/16W J	1	
R6		RK73HB1J103J	MG RESISTOR	10kΩ 1/16W J	1	
R7		RK73HB1J103J	MG RESISTOR	10kΩ 1/16W J	1	
R9		RK73HB1J470J	MG RESISTOR	47Ω 1/16W J	1	
R10		RK73HB1J470J	MG RESISTOR	47Ω 1/16W J	1	
R11		RK73HB1J470J	MG RESISTOR	47Ω 1/16W J	1	
R12		RK73HB1J470J	MG RESISTOR	47Ω 1/16W J	1	
R14		RK73HB1J122J	MG RESISTOR	1.2kΩ 1/16W J	1	
R15		RK73HB1J122J	MG RESISTOR	1.2kΩ 1/16W J	1	
R16		RK73HB1J124J	MG RESISTOR	120kΩ 1/16W J	1	
R17		RK73HB1J124J	MG RESISTOR	120kΩ 1/16W J	1	
R18		RK73HB1J333J	MG RESISTOR	33kΩ 1/16W J	1	
R19		RK73HB1J681J	MG RESISTOR	680Ω 1/16W J	1	
R20		RK73HB1J103J	MG RESISTOR	10kΩ 1/16W J	1	
R21		RK73HB1J822J	MG RESISTOR	8.2kΩ 1/16W J	1	
R22		RK73HB1J681J	MG RESISTOR	680Ω 1/16W J	1	
R23		RK73HB1J103J	MG RESISTOR	10kΩ 1/16W J	1	
R24		RK73HB1J472J	MG RESISTOR	4.7kΩ 1/16W J	1	
R25		RK73HB1J153J	MG RESISTOR	15kΩ 1/16W J	1	
R26		RK73HB1J153J	MG RESISTOR	15kΩ 1/16W J	1	
R27		RK73HB1J472J	MG RESISTOR	4.7kΩ 1/16W J	1	
R28		RK73HB1J472J	MG RESISTOR	4.7kΩ 1/16W J	1	
R29		RK73HB1J472J	MG RESISTOR	4.7kΩ 1/16W J	1	
R32		RK73GB2A000J	MG RESISTOR	0Ω 1/10W J	1	
R33		RK73GB2A4R7J	MG RESISTOR	4.7Ω 1/10W J	1	
R34		RK73HB1J000J	MG RESISTOR	0Ω 1/16W J	1	
R35		RK73HB1J153J	MG RESISTOR	15kΩ 1/16W J	1	
R36		RK73HB1J153J	MG RESISTOR	15kΩ 1/16W J	1	
R37		RK73HB1J220J	MG RESISTOR	22Ω 1/16W J	1	
R38		RK73HB1J220J	MG RESISTOR	22Ω 1/16W J	1	
R39		RK73HB1J220J	MG RESISTOR	22Ω 1/16W J	1	
R40		RK73HB1J220J	MG RESISTOR	22Ω 1/16W J	1	
R41		RK73HB1J470J	MG RESISTOR	47Ω 1/16W J	1	
R42		RK73HB1J223J	MG RESISTOR	22kΩ 1/16W J	1	
R43		RK73HB1J223J	MG RESISTOR	22kΩ 1/16W J	1	
R44		RK73HB1J330J	MG RESISTOR	33Ω 1/16W J	1	
R45		RK73HB1J330J	MG RESISTOR	33Ω 1/16W J	1	
R50		RK73HB1J470J	MG RESISTOR	47Ω 1/16W J	1	
R51		RK73HB1J470J	MG RESISTOR	47Ω 1/16W J	1	
R52		RK73HB1J472J	MG RESISTOR	4.7kΩ 1/16W J	1	
R53		RK73HB1J472J	MG RESISTOR	4.7kΩ 1/16W J	1	
R54		RK73HB1J472J	MG RESISTOR	4.7kΩ 1/16W J	1	
R55		RK73HB1J472J	MG RESISTOR	4.7kΩ 1/16W J	1	
R56		RK73HB1J472J	MG RESISTOR	4.7kΩ 1/16W J	1	
R58		RK73HB1J470J	MG RESISTOR	47Ω 1/16W J	1	
R59		RK73HB1J470J	MG RESISTOR	47Ω 1/16W J	1	
R60		RK73HB1J470J	MG RESISTOR	47Ω 1/16W J	1	
R61		RK73HB1J223J	MG RESISTOR	22kΩ 1/16W J	1	
R62		RK73HB1J102J	MG RESISTOR	1kΩ 1/16W J	1	
R63		RK73HB1J102J	MG RESISTOR	1kΩ 1/16W J	1	
R64		RK73HB1J105J	MG RESISTOR	1MΩ 1/16W J	1	
R65		RK73HB1J332J	MG RESISTOR	3.3kΩ 1/16W J	1	
R66		RK73HB1J472J	MG RESISTOR	4.7kΩ 1/16W J	1	
R67		RK73HB1J470J	MG RESISTOR	47Ω 1/16W J	1	
R68		RK73HB1J472J	MG RESISTOR	4.7kΩ 1/16W J	1	
R69		RK73HB1J470J	MG RESISTOR	47Ω 1/16W J	1	

MODEL	MARK	MODEL	MARK	MODEL	MARK
KDC-BT558U	K1	KDC-X598	K0	KMR-D558BT	K2

Safe	Symbol No.	Parts No.	Parts Name	Description	QTY	Local
	R70	RK73GB2A000J	MG RESISTOR	0Ω 1/10W J	1	
	R71	RK73HB1J470J	MG RESISTOR	47Ω 1/16W J	1	
	R72	RK73GB2A000J	MG RESISTOR	0Ω 1/10W J	1	
	R73	RK73GB2A000J	MG RESISTOR	0Ω 1/10W J	1	
	R76	RK73HB1J104J	MG RESISTOR	100kΩ 1/16W J	1	
	R77	RK73HB1J000J	MG RESISTOR	0Ω 1/16W J	1	
	R78	RK73HB1J102J	MG RESISTOR	1kΩ 1/16W J	1	
	R79	RK73HB1J473J	MG RESISTOR	47kΩ 1/16W J	1	
	R80	RK73HB1J473J	MG RESISTOR	47kΩ 1/16W J	1	
	R81	RK73HB1J470J	MG RESISTOR	47Ω 1/16W J	1	
	R82	RK73HB1J472J	MG RESISTOR	4.7kΩ 1/16W J	1	
	R83	RK73HB1J470J	MG RESISTOR	47Ω 1/16W J	1	
	R88	RK73HB1J000J	MG RESISTOR	0Ω 1/16W J	1	
	R89	RK73HB1J104J	MG RESISTOR	100kΩ 1/16W J	1	
	R90	RK73HB1J104J	MG RESISTOR	100kΩ 1/16W J	1	
	R91	RK73GB2A000J	MG RESISTOR	0Ω 1/10W J	1	
	R93	RK73HB1J223J	MG RESISTOR	22kΩ 1/16W J	1	
	A1	W02-5568-05	CIRCUIT MODULE		1	
	CN1	E41-3376-05	SOCKET FOR PIN ASSY		1	
	X1	L77-3873-05	QUARTZ CRYSTAL		1	
CD PLAYER UNIT (X32-6690-00) IN CD MECHA <X32>						
	IC1	MN6627553APA	IC		1	
	IC2	BD8266EFV-M-X	IC		1	
	Q1	2SA2188-T1(E)	TRANSISTOR		1	
	C1	CK73HBB1A104K	C CAPACITOR	0.1uF 10V K	1	
	C3	CK73HBB1A104K	C CAPACITOR	0.1uF 10V K	1	
	C4	CK73HBB1A104K	C CAPACITOR	0.1uF 10V K	1	
	C7	CK73GBB1C334K	C CAPACITOR	0.33uF 16V K	1	
	C8	CK73HBB1H102K	C CAPACITOR	1000pF 50V K	1	
	C9	CK73HBB1C823K	C CAPACITOR	0.082uF 16V K	1	
	C10	CK73HBB1H102K	C CAPACITOR	1000pF 50V K	1	
	C11	CK73HBB1A104K	C CAPACITOR	0.1uF 10V K	1	
	C12	CK73HBB1E153K	C CAPACITOR	0.015uF 25V K	1	
	C13	CC73HCH1H681J	C CAPACITOR	680pF 50V J	1	
	C14	CK73HBB1A104K	C CAPACITOR	0.1uF 10V K	1	
	C15	CK73GB0J475K	C CAPACITOR	4.7uF 6.3V K	1	
	C16	CK73HB0J105K	C CAPACITOR	1uF 6.3V K	1	
	C17	CK73GBB1C334K	C CAPACITOR	0.33uF 16V K	1	
	C18	CK73HBB1H332K	C CAPACITOR	3300pF 50V K	1	
	C19	CK73HBB1E223K	C CAPACITOR	0.022uF 25V K	1	
	C20	CK73FB0J106K	C CAPACITOR	10uF 6.3V K	1	
	C21	CK73GBB1C334K	C CAPACITOR	0.33uF 16V K	1	
	C26	CK73FB1C106K	C CAPACITOR	10uF 16V K	1	
	C27	CK73HBB1A104K	C CAPACITOR	0.1uF 10V K	1	
	C28	CK73HBB1A104K	C CAPACITOR	0.1uF 10V K	1	
	C50	CK73HBB1H682K	C CAPACITOR	6800pF 50V K	1	
	C51	CK73HBB1H682K	C CAPACITOR	6800pF 50V K	1	
	C52	CK73HBB1H103K	C CAPACITOR	0.01uF 50V K	1	
	C53	CK73HBB1H103K	C CAPACITOR	0.01uF 50V K	1	
	C55	CK73HBB1A104K	C CAPACITOR	0.1uF 10V K	1	
	C60	CC73HCH1H821J	C CAPACITOR	820pF 50V J	1	
	C61	CC73HCH1H821J	C CAPACITOR	820pF 50V J	1	
	C62	CK73GB0J106M	C CAPACITOR	10uF 6.3V M	1	
	C72	CK73GBB1C104K	C CAPACITOR	0.1uF 16V K	1	
	C82	CC73HCH1H471J	C CAPACITOR	470pF 50V J	1	
	C83	CC73HCH1H120J	C CAPACITOR	12pF 50V J	1	
	C84	CC73HCH1H120J	C CAPACITOR	12pF 50V J	1	
	C85	CK73HBB1A104K	C CAPACITOR	0.1uF 10V K	1	
	C243	CK73HBB1H682K	C CAPACITOR	6800pF 50V K	1	
	C244	CK73GB1E154K	C CAPACITOR	0.15uF 25V K	1	
	R3	RK73HB1J102J	MG RESISTOR	1kΩ 1/16W J	1	
	R4	RK73HB1J105J	MG RESISTOR	1MΩ 1/16W J	1	
	R7	RK73HB1J272J	MG RESISTOR	2.7kΩ 1/16W J	1	
	R8	RK73HB1J821J	MG RESISTOR	820Ω 1/16W J	1	
	R9	RK73HB1J823J	MG RESISTOR	82kΩ 1/16W J	1	
	R10	RK73FB2B4R7J	MG RESISTOR	4.7Ω 1/8W J	1	
	R11	RK73HB1J472J	MG RESISTOR	4.7kΩ 1/16W J	1	
	R12	RK73HB1J225J	MG RESISTOR	2.2MΩ 1/16W J	1	
	R17	RK73HB1J123J	MG RESISTOR	12kΩ 1/16W J	1	
	R18	RK73HB1J822J	MG RESISTOR	8.2kΩ 1/16W J	1	
	R20	RK73HB1J103J	MG RESISTOR	10kΩ 1/16W J	1	
	R21	RK73HB1J822J	MG RESISTOR	8.2kΩ 1/16W J	1	
	R22	RK73HB1J562J	MG RESISTOR	5.6kΩ 1/16W J	1	
	R23	RK73HB1J183J	MG RESISTOR	18kΩ 1/16W J	1	
	R24	RK73HB1J272J	MG RESISTOR	2.7kΩ 1/16W J	1	
	R25	RK73HB1J562J	MG RESISTOR	5.6kΩ 1/16W J	1	
	R26	RK73HB1J223J	MG RESISTOR	22kΩ 1/16W J	1	
	R27	RK73HB1J562J	MG RESISTOR	5.6kΩ 1/16W J	1	
	R28	RK73HB1J114J	MG RESISTOR	110kΩ 1/16W J	1	
	R29	RK73HB1J101J	MG RESISTOR	100Ω 1/16W J	1	
	R30	RK73HB1J101J	MG RESISTOR	100Ω 1/16W J	1	
	R31	RK73HB1J821J	MG RESISTOR	820Ω 1/16W J	1	
	R32	RK73HB1J821J	MG RESISTOR	820Ω 1/16W J	1	
	R33	RK73HB1J131J	MG RESISTOR	130Ω 1/16W J	1	
	R37	RK73HB1J103J	MG RESISTOR	10kΩ 1/16W J	1	
	R38	RK73HB1J101J	MG RESISTOR	100Ω 1/16W J	1	
	R43	RK73HB1J000J	MG RESISTOR	0Ω 1/16W J	1	
	R44	RK73HB1J101J	MG RESISTOR	100Ω 1/16W J	1	
	R47	RK73HB1J101J	MG RESISTOR	100Ω 1/16W J	1	
	R48	RK73HB1J101J	MG RESISTOR	100Ω 1/16W J	1	
	R49	RK73HB1J101J	MG RESISTOR	100Ω 1/16W J	1	

MODEL	MARK	MODEL	MARK	MODEL	MARK
KDC-BT558U	K1	KDC-X598	K0	KMR-D558BT	K2

Safe	Symbol No.	Parts No.	Parts Name	Description	QTY	Local
	R50	RK73HB1J101J	MG RESISTOR	100Ω 1/16W J	1	
	R51	RK73HB1J101J	MG RESISTOR	100Ω 1/16W J	1	
	R267	RK73HB1J222J	MG RESISTOR	2.2kΩ 1/16W J	1	
	R268	RK73HB1J222J	MG RESISTOR	2.2kΩ 1/16W J	1	
	R305	RK73HB1J101J	MG RESISTOR	100Ω 1/16W J	1	
	L1	L92-0378-05	CHIP FERRITE		1	
	L2	L92-0446-05	BEADS CORE		1	
	L3	L92-0446-05	BEADS CORE		1	
	CN1	E41-3430-05	FLAT CABLE CONNECTOR		1	
	CN2	E41-3488-05	FLAT CABLE CONNECTOR		1	
	S1	S6J-0001-00	PUSH SWITCH		1	
	S2	S6J-0001-00	PUSH SWITCH		1	
	S3	S6J-0002-00	PUSH SWITCH		1	
	X1	NAX1158-001X	CRYSTAL		1	