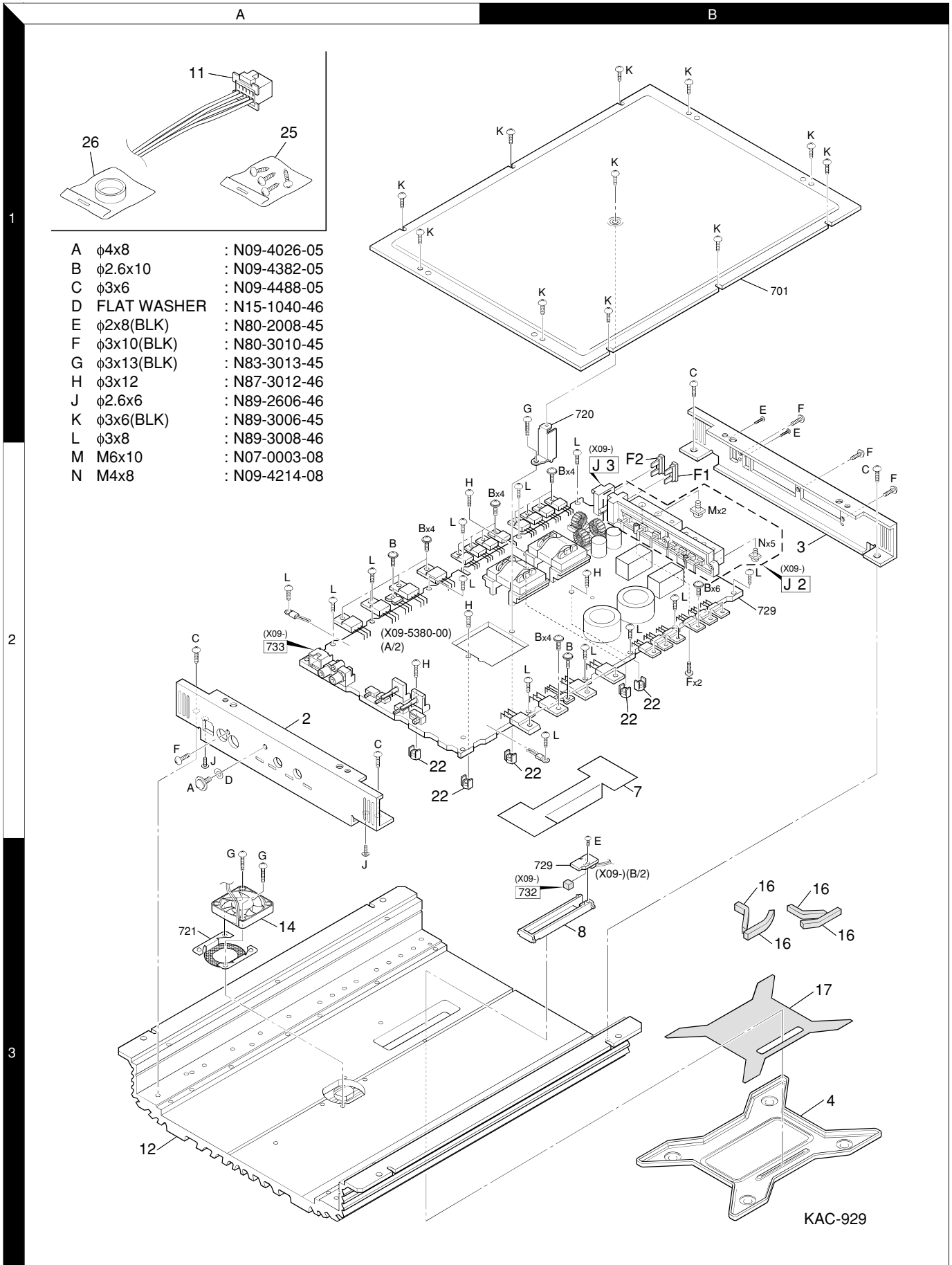


EXPLODED VIEW



PARTS LIST

* New Parts

Parts without **Parts No.** are not supplied.

Les articles non mentionnés dans le **Parts No.** ne sont pas fournis.

Teile ohne **Parts No.** werden nicht geliefert.

Ref.No.	A d d	N e w	Parts No.	Description	Dest inati on
KAC-929					
2	2A	*	A64-2335-02	PANEL	
3	2B	*	A84-0279-02	REAR PANEL	
4	3A	*	A21-4088-02	DRESSING PANEL	
7	2B		B11-1337-03	REFLECTION SHEET	
8	3B		B19-2083-03	LIGHTING BOARD	
-			B46-0100-50	WARRANTY CARD	
-		*	B64-1975-00	INST. MANUAL(ENGLISH)	KE1
-		*	B64-1976-00	INST. MANUAL(FRE,SPA)	KE1
-		*	B64-1977-00	INST. MANUAL(GER,DUT)	E1
-		*	B64-1978-00	INST. MANUAL(ITA,POR)	E1
-		*	B64-1979-00	INST. MANUAL(ENG,CHI)	M1
11	1A	*	E30-4950-05	CONNECTING CORD ASSY	
12	3A	*	F01-1659-01	HEAT SINK	
14	3A	*	F09-1679-05	FAN	
△ F1 ,2	2B		F52-0015-05	FUSE(BLADE TYPE) (30A)	
16	3B		G16-1190-04	SHEET	
17	3B		H30-0542-03	ADHESIVE DOUBLE-COATED TAPE	
-			H10-4645-03	POLYSTYRENE FOAMED FIXTURE	
-		*	H11-1526-04	POLYSTYRENE FOAMED BOARD	
-			H21-1117-04	PROTECTION SHEET	
-			H25-0336-04	PROTECTION BAG (170X250X0.03)	
-		*	H54-2069-03	ITEM CARTON CASE	
22	2B		J30-1066-04	SPACER	
25	1C		N99-1587-05	SCREW SET	
A	2A		N09-4026-05	TAPPING SCREW (4X8,TP,S)	
B	2A		N09-4382-05	TAPTITE SCREW (2.6X10)	
C	2A		N09-4488-05	TAPTITE SCREW (3X6)	
D	2A		N15-1040-46	FLAT WASHER (4 ø)	
E	1A		N80-2008-45	PAN HEAD TAPTITE SCREW	
F	1A		N80-3010-45	PAN HEAD TAPTITE SCREW	
G	2A		N83-3013-45	PAN HEAD TAPTITE SCREW	
H	2A		N87-3012-46	BRAZIER HEAD TAPTITE SCREW	
J	2A		N89-2606-46	BINDING HEAD TAPTITE SCREW	
K	1B		N89-3006-45	BINDING HEAD TAPTITE SCREW	
L	2A		N89-3008-46	BINDING HEAD TAPTITE SCREW	
26	1C		W01-1516-05	ACCESSORY	
AUDIO UNIT(X09-5380-10)					
D100			B30-1613-05	LED(BLUE)	
C1 ,2			CK73GB1H102K	CHIP C 1000PF	K
C3 ,4			CE04DW1C100M	ELECTRO 10UF	16WV
C5 ,6			CC73GCH1H150J	CHIP C 15PF	J
C8 ,9			CF92FV1H103J	MF-C 0.010UF	J
C11 -14			CE04DW1C100M	ELECTRO 10UF	16WV
C15 -18			CC73GCH1H150J	CHIP C 15PF	J
C19 ,20			CK73FB1C224K	CHIP C 0.22UF	K
C21 ,22			CE04DW1H2R2M	ELECTRO 2.2UF	50WV
C23 ,24			CC73GCH1H101J	CHIP C 100PF	J
C25 ,26			CF92FV1H474J	MF-C 0.47UF	J

Ref.No.	A d d	N e w	Parts No.	Description	Dest inati on
C27			CF92FV1H124J	MF-C 0.12UF	J
C28			CE04DW1C100M	ELECTRO 10UF	16WV
C29 ,30			CE04DW1C220M	ELECTRO 22UF	16WV
C31 ,32			CE04DW1HR47M	ELECTRO 0.47UF	50WV
C33 ,34			CE04DW1C100M	ELECTRO 10UF	16WV
C35 ,36			CK73GB1H103K	CHIP C 0.010UF	K
C37 ,38			CE04DW1C100M	ELECTRO 10UF	16WV
C39 ,40			CE04DW1C220M	ELECTRO 22UF	16WV
C41 ,42			CC73GCH1H470J	CHIP C 47PF	J
C100			CF92FV1H102J	MF-C 1000PF	J
C101,102			CE04DW1E470M	ELECTRO 47UF	25WV
C103,104			CK45FB1H102K	CERAMIC 1000PF	K
C105,106			CF92FV1H472J	MF-C 4700PF	J
C107,108			CC45FSL1H470J	CERAMIC 47PF	J
C109,110			CE04DW1E470M	ELECTRO 47UF	25WV
C111,112			CC45FSL1H331J	CERAMIC 330PF	J
C113,114			CC45FSL1H120J	CERAMIC 12PF	J
C115,116			CF92FV1H102J	MF-C 1000PF	J
C117,118			CF92FV1H473J	MF-C 0.047UF	J
C121-124			CC45FSL1H221J	CERAMIC 220PF	J
C201-204			CE04DW1E470M	ELECTRO 47UF	25WV
C205			CE04DW1H221M	ELECTRO 220UF	50WV
C206			CE04DW1V100M	ELECTRO 10UF	35WV
C207-210			CK45FB1H471K	CERAMIC 470PF	K
C211,212		*	C90-5371-05	ELECTRO 4700UF	50WV
C213,214			CF92FV1H332J	MF-C 3300PF	J
C215,216			CF92FV1H562J	MF-C 5600PF	J
C217,218			C90-2921-05	ELECTRO 3900UF	16WV
C221			CE04DW1C100M	ELECTRO 10UF	16WV
C222			CE04DW1H470M	ELECTRO 47UF	50WV
C223			CE04DW1C100M	ELECTRO 10UF	16WV
C224			CF92FV1H102J	MF-C 1000PF	J
C225			CE04DW1C221M	ELECTRO 220UF	16WV
C226			CE04DW1HOR1M	ELECTRO 0.1UF	50WV
C227			CE04DW1H010M	ELECTRO 1.0UF	50WV
C228,229			CE04DW0J101M	ELECTRO 100UF	6.3WV
C230			CE04DW1E470M	ELECTRO 47UF	25WV
C231			CE04DW0J101M	ELECTRO 100UF	6.3WV
C232			CE04DW1C100M	ELECTRO 10UF	16WV
C233			CK73GB1H103K	CHIP C 0.010UF	K
CN1			E58-0919-05	RECTANGULAR RECEPTACLE (10P)	
CN2			E40-3640-05	PIN ASSY (2P)	
CN3 ,4			E40-3246-05	PIN ASSY (2P)	
J1		*	E63-0873-05	PIN JACK (2P)	
△ J2	2B	*	E70-0832-05	SCREW TERMINAL BOARD (7P)	
WH1			E39-0408-05	WIRING HARNESS	
E3 ,4			J19-4316-05	HOLDER	
△ J3	2B		J13-0602-05	FUSE HOLDER	
L1 ,2			L33-1032-05	CHOKE COIL (18UH)	
L3 ,4		*	L19-0600-05	TRANSFORMER FOR CONVERTER	
L5			L33-1032-05	CHOKE COIL (18UH)	
F	2B		N80-3010-45	PAN HEAD TAPTITE SCREW	
M	2B		N07-0003-08	SEMS SCREW (M6)	

K: North America E1: Europe M1: Other Areas

△ indicates safety critical components.

PARTS LIST

* New Parts

Parts without **Parts No.** are not supplied.

Les articles non mentionnes dans le **Parts No.** ne sont pas fournis.

Teile ohne **Parts No.** werden nicht geliefert.

Ref.No.	A d d	N e w	Parts No.	Description	Dest inati on
N	2B		N09-4214-08	SEMS SCREW (M4)	
R1 ,2			RD14BB2C102J	RD 1.0K J 1/6W	
R3 -8			RK73FB2A103J	CHIP R 10K J 1/10W	
R9 -12			RD14BB2C103J	RD 10K J 1/6W	
R13 ,14			RD14BB2C222J	RD 2.2K J 1/6W	
R15 -18			RD14BB2C623J	RD 62K J 1/6W	
R19 -22			RK73FB2A473J	CHIP R 47K J 1/10W	
R23 -26			RD14BB2C103J	RD 10K J 1/6W	
R27 ,28			RK73FB2A431J	CHIP R 430 J 1/10W	
R31 ,32			RK73FB2A243J	CHIP R 24K J 1/10W	
R33 ,34			RK73FB2A301J	CHIP R 300 J 1/10W	
R35 ,36			RK73FB2A104J	CHIP R 100K J 1/10W	
R37 ,38			RK73FB2A102J	CHIP R 1.0K J 1/10W	
R39 ,40			RK73FB2A221J	CHIP R 220 J 1/10W	
R41 ,42			RK73FB2A102J	CHIP R 1.0K J 1/10W	
R43 ,44			RK73FB2A222J	CHIP R 2.2K J 1/10W	
R45 ,46			RK73FB2A103J	CHIP R 10K J 1/10W	
R47 ,48			RK73FB2A223J	CHIP R 22K J 1/10W	
R49			RK73FB2A152J	CHIP R 1.5K J 1/10W	
R50 ,51			RK73FB2A332J	CHIP R 3.3K J 1/10W	
R52			RK73FB2A223J	CHIP R 22K J 1/10W	
R53 ,54			RK73FB2A473J	CHIP R 47K J 1/10W	
R55 ,56			RK73FB2A104J	CHIP R 100K J 1/10W	
R57 ,58			RK73FB2A103J	CHIP R 10K J 1/10W	
R59 ,60			RK73FB2A223J	CHIP R 22K J 1/10W	
R61 -68			RK73FB2A472J	CHIP R 4.7K J 1/10W	
R69 ,70			RK73FB2A473J	CHIP R 47K J 1/10W	
R100			RD14BB2C102J	RD 1.0K J 1/6W	
R101,102			RD14BB2C222J	RD 2.2K J 1/6W	
R103,104			RD14BB2C133J	RD 13K J 1/6W	
R105,106			RD14BB2C682J	RD 6.8K J 1/6W	
R107-110			RD14BB2C102J	RD 1.0K J 1/6W	
R111,112			RD14BB2C101J	RD 100 J 1/6W	
R113,114			RD14BB2C102J	RD 1.0K J 1/6W	
R115,116			RD14BB2C133J	RD 13K J 1/6W	
R117-120			RD14BB2C151J	RD 150 J 1/6W	
R121-124			RD14BB2E682J	RD 6.8K J 1/4W	
R125,126			RD14BB2C151J	RD 150 J 1/6W	
R127,128			RD14BB2C182J	RD 1.8K J 1/6W	
R129,130			RD14BB2C511J	RD 510 J 1/6W	
R131-134			RD14NB2E101J	RD 100 J 1/4W	
R135-142			RD14NB2E100J	RD 10 J 1/4W	
R143-150			RD14NB2E4R7J	RD 4.7 J 1/4W	
R151-158			R92-0205-05	METAL-PLATE 0.1 K 2W	
R159,160			RD14NB2E4R7J	RD 4.7 J 1/4W	
R161,162			RD14NB2E221J	RD 220 J 1/4W	
R163,164			RD14BB2C330J	RD 33 J 1/4W	
R201,202			RD14BB2E121J	RD 120 J 1/4W	
R203,204			RD14BB2C133J	RD 13K J 1/6W	
R205,206			RD14BB2C103J	RD 10K J 1/6W	
R207			RD14DB2H100J	SMALL-RD 10 J 1/2W	
R209,210			RD14BB2C473J	RD 47K J 1/6W	
R211-214			RD14BB2C102J	RD 1.0K J 1/6W	
R215-218			RD14BB2C162J	RD 1.6K J 1/6W	

Ref.No.	A d d	N e w	Parts No.	Description	Dest inati on
R219-222			RD14BB2C102J	RD 1.0K J 1/6W	
R223-226			RD14DB2H100J	SMALL-RD 10 J 1/2W	
R227,228			RD14BB2C472J	RD 4.7K J 1/6W	
R229,230			RD14BB2C750J	RD 75 J 1/6W	
R231,232			RD14BB2C100J	RD 10 J 1/6W	
R233,234			RD14BB2C152J	RD 1.5K J 1/6W	
R235-238			RD14BB2E471J	RD 470 J 1/4W	
R239,240			RD14BB2C472J	RD 4.7K J 1/6W	
R241			RD14DB2H150J	SMALL-RD 15 J 1/2W	
R242,243			RD14BB2C103J	RD 10K J 1/6W	
R244-247			RD14BB2C332J	RD 3.3K J 1/6W	
R248,249			RD14BB2C122J	RD 1.2K J 1/6W	
R250			RD14BB2C303J	RD 30K J 1/6W	
R251			RD14BB2C472J	RD 4.7K J 1/6W	
R252			RD14BB2C154J	RD 150K J 1/6W	
R253			RD14BB2C272J	RD 2.7K J 1/6W	
R254			RD14BB2C104J	RD 100K J 1/6W	
R255			RD14BB2C333J	RD 33K J 1/6W	
R256,257			RD14BB2C103J	RD 10K J 1/6W	
R258,259			RD14BB2C681J	RD 680 J 1/6W	
R260			RD14BB2C101J	RD 100 J 1/6W	
R261			RD14BB2C103J	RD 10K J 1/6W	
R262			RD14BB2C102J	RD 1.0K J 1/6W	
R263			RD14BB2C163J	RD 16K J 1/6W	
R264			RD14BB2C103J	RD 10K J 1/6W	
R265			RD14BB2C913J	RD 91K J 1/6W	
R266			RD14BB2C684J	RD 680K J 1/6W	
R267			RD14BB2C103J	RD 10K J 1/6W	
R268,269			RD14BB2C273J	RD 27K J 1/6W	
R270			RD14BB2C473J	RD 47K J 1/6W	
R271			RD14BB2C333J	RD 33K J 1/6W	
R272			RD14BB2C562J	RD 5.6K J 1/6W	
R273			RD14BB2C223J	RD 22K J 1/6W	
R274			RD14BB2C103J	RD 10K J 1/6W	
R275			RD14BB2C104J	RD 100K J 1/6W	
R276			RD14BB2C223J	RD 22K J 1/6W	
R277			RD14BB2C333J	RD 33K J 1/6W	
R278			RD14BB2C103J	RD 10K J 1/6W	
R280			RD14BB2C100J	RD 10 J 1/6W	
R281			RD14BB2C102J	RD 1.0K J 1/6W	
VR1			R31-0232-05	VARIABLE RESISTOR (10K,A)	
VR2			R31-0214-05	VARIABLE RESISTOR (10K,C)	
VR3 ,4			R32-0032-05	SEMI FIXED VARIABLE R.(470,B)	
K1 ,2			S76-0804-05	MAGNETIC RELAY	
S1			S62-0842-05	SLIDE SWITCH	
S2			S31-2630-05	SLIDE SWITCH	
S3 ,4			S62-0842-05	SLIDE SWITCH	
D1 -4			1SS133	DIODE	
D5 ,6			RD16JS(B)	ZENER DIODE	
D7 -22			1SS133	DIODE	
D23			1N5406-M	DIODE	
D24			MA3056WA	ZENER DIODE	
D25			RD7.5JS(B)	ZENER DIODE	
D26			RD16JS(B)	ZENER DIODE	

PARTS LIST

* New Parts

Parts without **Parts No.** are not supplied.

Les articles non mentionnés dans le **Parts No.** ne sont pas fournis.

Teile ohne **Parts No.** werden nicht geliefert.

Ref.No.	A d d	N e w	Parts No.	Description	Dest inati on
D27 ,28			1SS133	DIODE	
D30			RD10JS(B)	ZENER DIODE	
D31 -35			1SS133	DIODE	
D36			RD7.5JS(B)	ZENER DIODE	
D37 ,38			1SS133	DIODE	
D40			1SS133	DIODE	
D41 ,42			FML22S*A	DIODE	
D43 ,44			FML22R*A	DIODE	
D45 -52			1SS133	DIODE	
D55			1SS133	DIODE	
D101,102			1SS133	DIODE	
IC1 -3			NJM2060M	ANALOGUE IC	
IC4		*	SA571N	ANALOGUE IC	
IC5			UPC494GS	ANALOGUE IC	
Q1			2SD2396	TRANSISTOR	
Q2			2SB1565	TRANSISTOR	
Q3 ,4			2SC945(A)(Q,P)	TRANSISTOR	
Q5 ,6			2SC1845(F,E)	TRANSISTOR	
Q7 ,8			2SA992(F,E)	TRANSISTOR	
Q11 -18			IRFI1010N	FET	
Q19 ,20			2SC945(A)(Q,P)	TRANSISTOR	
Q21 ,22			2SA733(A)(Q,P)	TRANSISTOR	
Q23			2SC3940A(R,S)	TRANSISTOR	
Q24 ,25			2SC945(A)(Q,P)	TRANSISTOR	
Q26			2SA1534A(R,S)	TRANSISTOR	
Q27			2SC945(A)(Q,P)	TRANSISTOR	
Q28			2SA733(A)(Q,P)	TRANSISTOR	
Q29 ,30			2SC945(A)(Q,P)	TRANSISTOR	
Q31 ,32			2SA733(A)(Q,P)	TRANSISTOR	
Q33			2SA992(F,E)	TRANSISTOR	
Q101-104			2SA992(F,E)	TRANSISTOR	
Q105,106			2SA1123(Q,R)	TRANSISTOR	
Q107,108			2SC4137(V,W)	TRANSISTOR	
Q109-112			2SC2631(Q,R)	TRANSISTOR	
Q113-116			2SC2235	TRANSISTOR	
Q117-120			2SA965	TRANSISTOR	
Q121,122			2SC5101LB*5	TRANSISTOR	
Q123,124			2SA1909LB*5	TRANSISTOR	
Q125,126			2SC5101LB*5	TRANSISTOR	
Q127,128			2SA1909LB*5	TRANSISTOR	
TH1 ,2			PTH9M04BD222T	POSITIVE RESISTOR	
TH3			PTH9L04BD222TS	POSITIVE RESISTOR	

Ref.No.	A d d	N e w	Parts No.	Description	Dest inati on